

Faddeev eigenfunctions for two-dimensional Schrödinger operators via the Moutard transformation

I.A. Taimanov ^{*} S.P. Tsarev [†]

Abstract

We demonstrate how the Moutard transformation of two-dimensional Schrödinger operators acts on the Faddeev eigenfunctions on the zero energy level and present some explicitly computed examples of such eigenfunctions for smooth fast decaying potentials of operators with non-trivial kernel and for nonstationary potentials which correspond to blowing up solutions of the Novikov–Veselov equation.

1 Introduction

In [1] we used the Moutard transformation for constructing examples of two-dimensional Schrödinger operators with fast decaying smooth potentials and nontrivial kernels and of blowing up solutions of the Novikov–Veselov equation.

Here we show how the Moutard transformation acts on the Faddeev eigenfunctions corresponding to the zero energy level. In particular, we construct some explicit examples which correspond to operators constructed in [1]. It appears that such Faddeev eigenfunctions have very interesting analytical properties and dynamics under the Novikov–Veselov flow.

The presented procedure also enables us to extend in an essentially new way a list of two-dimensional Schrödinger operators for which the Faddeev eigenfunctions are explicitly computed at least for one energy level.

^{*}Sobolev Institute of Mathematics, 630090 Novosibirsk, Russia; e-mail: taimanov@math.nsc.ru

[†]Siberian Federal University, 79 Svobodny Prospect, Krasnoyarsk 660041 Russia; e-mail: sptsarev@mail.ru.

For multi-dimensional Schrödinger operator

$$L = -\Delta + u$$

the Faddeev eigenfunctions $\psi(x, k)$, $k \in \mathbb{C}^n$, $x \in \mathbb{R}^n$, are formal solutions to the equation

$$L\psi = E\psi, \quad E = \langle k, k \rangle,$$

meeting the condition

$$\psi = e^{i\langle k, x \rangle} (1 + o(1)) \quad \text{as } |x| \rightarrow \infty. \quad (1)$$

Here $\langle x, y \rangle = \sum_{j=1}^n x_j y_j$ is the standard inner product in \mathbb{C}^n .

These functions were defined in [2] and play the crucial role in the multi-dimensional inverse scattering problem [3, 4].

In the sequel we consider two-dimensional Schrödinger operators:

$$L = -\Delta + u = -\left(\frac{\partial^2}{\partial x_1^2} + \frac{\partial^2}{\partial x_2^2}\right) + u = -4\partial\bar{\partial} + u,$$

where in the right-hand side we have $\partial = \frac{\partial}{\partial z} = \frac{1}{2}\left(\frac{\partial}{\partial x} - i\frac{\partial}{\partial y}\right)$, $\bar{\partial} = \frac{\partial}{\partial \bar{z}} = \frac{1}{2}\left(\frac{\partial}{\partial x} + i\frac{\partial}{\partial y}\right)$, $(x_1, x_2) = (x, y) \in \mathbb{R}^2$, $z = x + iy \in \mathbb{C}$.

In this case, as well as for higher dimensions, there are not many examples for which these eigenfunctions were computed explicitly. In fact, they are as follows:

1) for the multipoint potentials

$$u(x) = \sum_{k=1}^N \varepsilon_k \delta(x - x_k),$$

the Faddeev eigenfunctions are computed for all energy levels in [5, 6];

2) for the Grinevich–Zakharov potentials [7] (these potentials are reflectionless on this energy level E and decay as $|x|^{-2}$) explicit formulas for these Faddeev eigenfunctions on the energy level E may be extracted from computations in [7]).

In [8] it is shown that for negative energy levels E the functions

$$\chi(x, k) = e^{-i\langle k, x \rangle} \psi(x, k) = \exp\left(-\frac{i}{2}\sqrt{-E}\left(\lambda z - \frac{\bar{z}}{\lambda}\right)\right) \psi(x, k),$$

where $k_1 = \frac{i\sqrt{-E}}{2}\left(\lambda + \frac{1}{\lambda}\right)$, $k_2 = -\frac{\sqrt{-E}}{2}\left(\lambda - \frac{1}{\lambda}\right)$, satisfy the generalized Cauchy–Riemann equation

$$\frac{\partial \chi}{\partial \bar{\lambda}} = T\bar{\chi},$$

i.e. they are generalized analytical functions, and if T is nonsingular, then this level is below the ground state. Moreover in the latter case the inverse scattering problem of reconstructing potentials (without assuming that these potentials are sufficiently small) is solved by methods of generalized analytic functions theory [9].

In this article we consider the Faddeev eigenfunctions on the zero energy level $E = 0$. They meet the following condition

$$\psi(z, \bar{z}, \lambda) = e^{\lambda z} \left(1 + \frac{A(\lambda, \bar{\lambda})}{z} + e^{\bar{\lambda} \bar{z} - \lambda z} \frac{B(\lambda, \bar{\lambda})}{\bar{z}} + O\left(\frac{1}{|z|^2}\right) \right) \quad (2)$$

as $|z| \rightarrow \infty$. In fact, this is one branch of these functions and another branch is given by solutions to the equation $(-\Delta + u)\psi = 0$ with asymptotics $e^{\mu \bar{z}}(1 + o(1))$ as $|z| \rightarrow \infty$. For non-zero energy levels the analogous asymptotic expansions were given in [10] and for the zero energy level it is derived in a similar way from the analytical properties of the Green–Faddeev function of the Laplace operator. The detailed analysis of the latter function, in particular, was given in [11].

2 The Moutard transformation

2.1 The Moutard transformation and its double iteration

Given ω satisfying the equation

$$L\omega = (-\Delta + u)\omega = 0,$$

the Moutard transformation of L is defined as

$$L \rightarrow \tilde{L} = -\Delta + u - 2\Delta \log \omega = -\Delta - u + 2\frac{\omega_x^2 + \omega_y^2}{\omega^2}.$$

It is easy to check that

- if φ satisfies the equation $L\varphi = 0$, then the function θ defined up to term $\frac{C}{\omega}$, $C = \text{const}$, from the system

$$(\omega\theta)_x = -\omega^2 \left(\frac{\varphi}{\omega}\right)_y, \quad (\omega\theta)_y = \omega^2 \left(\frac{\varphi}{\omega}\right)_x \quad (3)$$

satisfies $\tilde{L}\theta = 0$.

If the potential u depends only on x , then a certain reduction of the Moutard transformation gives the famous Darboux transformation of one-dimensional Schrödinger operators:

$$L = -\frac{d^2}{dx^2} + u = \left(\frac{d}{dx} + v\right) \left(-\frac{d}{dx} + v\right) \rightarrow \tilde{L} = \left(-\frac{d}{dx} + v\right) \left(\frac{d}{dx} + v\right).$$

This is the case when $\omega = f(x)e^{\sqrt{E}y}$ and $\left(-\frac{d^2}{dx^2} + u\right)f = Ef$.

In [1] we used a double iteration of the Moutard transformation starting from the Laplace operator $L_0 = -\Delta$. Given two harmonic functions ω_1 and ω_2 , $\Delta\omega_1 = \Delta\omega_2 = 0$, we construct a pair of Moutard transformations corresponding to ω_1 and ω_2 :

$$L_1 = -\Delta + u_1 \xleftarrow{\omega_1} L_0 = -\Delta \xrightarrow{\omega_2} L_2 = -\Delta + u_2.$$

Both potentials $u_1 = -2\Delta \log \omega_1$ and $u_2 = -2\Delta \log \omega_2$ have singularities at zeroes of functions ω_1 and ω_2 , respectively, and we have to iterate the Moutard transformation to achieve, if possible, smooth (i.e. bounded and differentiable) potentials.

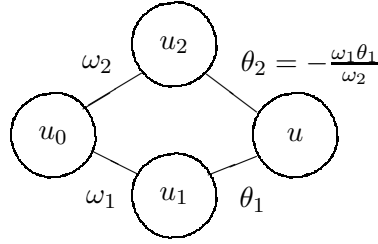


Figure 1: Rhombic superposition formula

Let us denote by θ_1 and θ_2 the transforms of ω_2 and ω_1 via (3) for $\omega = \omega_1$ and $\omega = \omega_2$, respectively. Such transformations are defined up to $\frac{c}{\omega}$ and, for θ_1 fixed, we put $\theta_2 = -\frac{\omega_1}{\omega_2}\theta_1$ (cf. Fig. 1). We have

- the functions θ_1 and θ_2 define the Moutard transformations of L_2 and L_1 , respectively, which give the same operator

$$L_1 = -\Delta + u_1 \xrightarrow{\theta_1} L = L_{12} = -\Delta + u_{12} \xleftarrow{\theta_2} L_2 = -\Delta + u_2.$$

- the functions $\varphi_1 = \frac{1}{\theta_1}$ and $\varphi_2 = \frac{1}{\theta_2}$ meet the equation $L\psi = 0$.

The general formula for $u = u_{12}$ takes the form

$$u = -2\Delta \log i((p_1\bar{p}_2 - p_2\bar{p}_1) + \tag{4}$$

$$\int ((p_1'p_2 - p_1p_2')dz + (\bar{p}_1\bar{p}_2' - \bar{p}_1'\bar{p}_2)d\bar{z})),$$

where $\omega_1 = p_1(z) + \overline{p_1(z)}$, $\omega_2 = p_2(z) + \overline{p_2(z)}$, $p_1(z)$ and $p_2(z)$ are holomorphic functions of z , and the free scalar parameter which we mentioned above appears as the integration constant in (4).

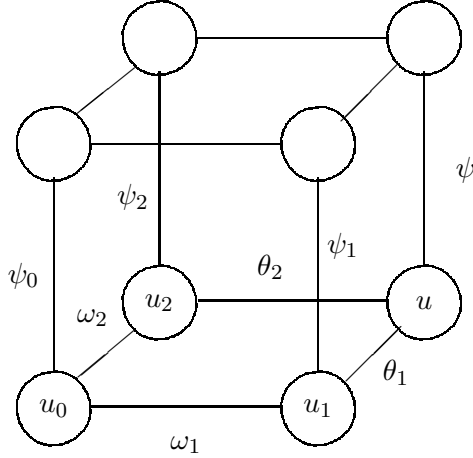


Figure 2: Cubic superposition formula

2.2 The Moutard transformation of Faddeev eigenfunctions

For $L_0 = -\Delta$ the Faddeev eigenfunctions (2) are

$$\psi_0(z, \lambda) = e^{\lambda z}$$

and they are transformed via (3) to ψ_1 and ψ_2 :

$$\psi_1 \xleftarrow{\omega_1} \psi_0 = e^{\lambda z} \xrightarrow{\omega_2} \psi_2.$$

As we mentioned above these transformations are not uniquely defined however at least for functions ω_1 and ω_2 which are polynomial in z and \bar{z} it is possible to choose the branches of ψ_1 and ψ_2 such that they would meet the condition (1). Then “the cubic superposition formula” (see [1] and Fig. 2) implies that

$$\psi(z, \bar{z}, \lambda) = e^{\lambda z} + \frac{\omega_2}{\theta_1}(\psi_2 - \psi_1)$$

satisfies the equation $L\psi = 0$. It seems that for smooth fast decaying potentials $u = u_{12}$ the function ψ is the Faddeev eigenfunction on the zero energy level. We do not state that here as a rigorous mathematical result however for the potentials found in [1] this is the case.

EXAMPLE. Let

$$p_1(z) = \left(1 - \frac{i}{4}\right)z^2 + \frac{z}{2}, \quad p_2(z) = \frac{1}{4}(3 - 5i)z^2 + \frac{1 - i}{2}z.$$

For some appropriate constant C in θ_1 we obtain

$$u = -\frac{5120|(4 - i)z + 1|^2}{(160 + |z|^2|(4 - i)z + 2|^2)^2}.$$

After simplifying multiplications by some constants φ_1 and φ_2 take the form

$$\varphi_1 = \frac{2(z + \bar{z}) + (4 - i)z^2 + (4 + i)\bar{z}^2}{160 + |z|^2|(4 - i)z + 2|^2},$$

$$\varphi_2 = \frac{2(1 - i)z + 2(1 + i)\bar{z} + (3 - 5i)z^2 + (3 + 5i)\bar{z}^2}{160 + |z|^2|(4 - i)z + 2|^2}.$$

The Faddeev eigenfunctions (2) for $L = -\Delta + u$ are as follows:

$$\begin{aligned} \psi(z, \bar{z}, \lambda) &= e^{\lambda z} \left(1 + \frac{1}{\lambda} \frac{(8i - 32)z\bar{z} - 8\bar{z} - (16 + 4i)\bar{z}^2 - 68z\bar{z}^2}{160 + |z|^2|(4 - i)z + 2|^2} + \right. \\ &\quad \left. + \frac{1}{\lambda^2} \frac{(32 - 8i)\bar{z} + 68\bar{z}^2}{160 + |z|^2|(4 - i)z + 2|^2} \right) = \\ &= e^{\lambda z} \left(1 - \frac{4}{\lambda z} + O\left(\frac{1}{|z|^2}\right) \right) \quad \text{as } |z| \rightarrow \infty. \end{aligned}$$

The functions u , φ_1 , and φ_2 are smooth and real-valued, and the function ψ is also smooth in z, \bar{z} . The potential u decays like $1/|z|^6$ as $|z| \rightarrow \infty$, and φ_1 and φ_2 decay like $1/|z|^2$ as $|z| \rightarrow \infty$. Hence φ_1 and φ_2 span a two-dimensional subspace in the kernel of L and, since $u \leq 0$ and u decays sufficiently fast, there are also negative eigenvalues of L .

We also see that “the scattering data” takes a very simple form:

$$A(\lambda, \bar{\lambda}) = -\frac{4}{\lambda}, \quad B(\lambda, \bar{\lambda}) = 0.$$

Similar formulas for the Faddeev eigenfunctions may be easily derived for another smooth and fast decaying potential with non-trivial kernel which was found in [1] and corresponds to $p_1(z) = (i - 1)z^3 + (\frac{1}{10} + \frac{3}{20}i)z^2 + \frac{z}{2}$, $p_2(z) = 2iz^3 + (\frac{1}{4} + \frac{i}{20})z^2 + \frac{1-i}{2}z$. In this case “the scattering data” are $A(\lambda, \bar{\lambda}) = -\frac{6}{\lambda}$, $B(\lambda, \bar{\lambda}) = 0$.

3 The extended Moutard transformation and the Novikov–Veselov equation

3.1 The extended Moutard transformation

In order to comply with the traditional notation related to the Novikov–Veselov equation we renormalize the Schrödinger operator as follows

$$H = \partial\bar{\partial} + U = \frac{1}{4}\Delta - \frac{u}{4}.$$

The Moutard transformation takes the form

$$U \rightarrow U + 2\partial\bar{\partial}\log\omega,$$

$$\left(\bar{\partial} + \frac{\omega_{\bar{z}}}{\omega}\right)\theta = i\left(\bar{\partial} - \frac{\omega_{\bar{z}}}{\omega}\right)\varphi, \quad \left(\partial + \frac{\omega_z}{\omega}\right)\theta = -i\left(\partial - \frac{\omega_z}{\omega}\right)\varphi.$$

Let us assume that φ depends also on the temporal variable t and satisfies the equations

$$H\varphi = 0, \quad \partial_t\varphi = (\partial^3 + \bar{\partial}^3 + 3V\partial + 3\bar{V}\bar{\partial})\varphi, \quad \bar{\partial}V = \partial U \quad (5)$$

where $U = \bar{U}$. It is checked by straightforward computations that

- given real-valued functions ω and U , the system (5) is invariant under the extended Moutard transformation [1, 12]

$$\begin{aligned} \varphi \rightarrow \theta &= \frac{i}{\omega} \int (\varphi\partial\omega - \omega\partial\varphi)dz - (\varphi\bar{\partial}\omega - \omega\bar{\partial}\varphi)d\bar{z} + \\ &[\varphi\partial^3\omega - \omega\partial^3\varphi + \omega\bar{\partial}^3\varphi - \varphi\bar{\partial}^3\omega + 2(\partial^2\varphi\partial\omega - \partial\varphi\partial^2\omega) - \\ &2(\bar{\partial}^2\varphi\bar{\partial}\omega - \bar{\partial}\varphi\bar{\partial}^2\omega) + 3V(\varphi\partial\omega - \omega\partial\varphi) + 3\bar{V}(\omega\bar{\partial}\varphi - \varphi\bar{\partial}\omega)]dt, \\ U &\rightarrow U + 2\partial\bar{\partial}\log\omega, \quad V \rightarrow V + 2\partial^2\log\omega. \end{aligned} \quad (6)$$

The compatibility condition for (5) is the well-known Novikov–Veselov equation [13]

$$U_t = \partial^3U + \bar{\partial}^3U + 3\partial(VU) + 3\bar{\partial}(\bar{V}U) = 0, \quad \bar{\partial}V = \partial U. \quad (7)$$

It is a two-dimensional generalization of the Korteweg–de Vries equation to which it reduces in the case $U = U(x), U = V$.

We may obtain analogs of all constructions of §2 by replacing the Moutard transformation by its extended version (6) and construct by this mean non-trivial real-valued solutions of the Novikov–Veselov equation (7) (cf. [1]). The analog of (4) takes the form

$$\begin{aligned} U(z, \bar{z}, t) &= 2\partial\bar{\partial}\log i\left((p_1\bar{p}_2 - p_2\bar{p}_1) + \int ((p_1'p_2 - p_1p_2')dz + \right. \\ &(\bar{p}_1\bar{p}_2' - \bar{p}_1'\bar{p}_2)d\bar{z}) + \int (p_1'''p_2 - p_1p_2''' + 2(p_1'p_2'' - p_1''p_2') + \\ &\left. + \bar{p}_1\bar{p}_2''' - \bar{p}_1'''\bar{p}_2 + 2(\bar{p}_1''\bar{p}_2' - \bar{p}_1'\bar{p}_2''))dt\right) \end{aligned} \quad (8)$$

and, if the holomorphic in z functions $p_1(z, t)$ and $p_2(z, t)$ satisfy the equation

$$\frac{\partial p}{\partial t} = \frac{\partial^3 p}{\partial^3 z},$$

then $U(z, \bar{z}, t)$ satisfies the Novikov–Veselov equation (7).

3.2 An example of the NV evolution of Faddeev eigenfunctions

Let

$$p_1(z) = iz^2, \quad p_2 = (1+i)z + z^2.$$

Although these functions are independent on t the formula (8) gives a non-stationary solution of the Novikov–Veselov equation. The Faddeev eigenfunctions are obtained by applying iterations of (6) to $\psi_0(z, \bar{z}, t) = e^{\lambda z + \lambda^3 t}$.

These data lead to the following functions:

$$U(z, \bar{z}, t) = \frac{F_U(z, \bar{z}, t)}{Q^2(z, \bar{z}, t)}, \quad V(z, \bar{z}, t) = \frac{F_V(z, \bar{z}, t)}{Q^2(z, \bar{z}, t)}$$

where

$$\begin{aligned} F_U(z, \bar{z}, T) &= 6i(24t(i\bar{z} - iz + z + \bar{z}) + 2iz^4\bar{z} + 4iz^3\bar{z} - 2iz\bar{z}^4 - 4iz\bar{z}^3 + \\ &+ 60iz - 60i\bar{z} + 96tz\bar{z} + 2z^4\bar{z} + z^4 + 6z^2\bar{z}^2 + 2z\bar{z}^4 - 240z\bar{z} - 60z + \bar{z}^4 - 60\bar{z}), \\ F_V(z, \bar{z}, t) &= 6i(24t(iz - i\bar{z} + z + \bar{z}) + iz^4 + 4iz^3\bar{z}^2 - 12iz^2\bar{z}^3 - 6iz^2\bar{z}^2 + \\ &+ 6iz\bar{z}^4 - 60iz + 2i\bar{z}^5 + 5i\bar{z}^4 + 60i\bar{z} + 48t\bar{z}^2 + 4z^3\bar{z}^2 + 4z^3\bar{z} + 12z^2\bar{z}^4 + 12z^2\bar{z}^3 + \\ &+ 6z\bar{z}^4 + 4z\bar{z}^3 - 60z - 2\bar{z}^5 - 120\bar{z}^2 - 60\bar{z}), \end{aligned}$$

and

$$\begin{aligned} Q(z, \bar{z}, t) &= (12-12i)t - z^3 - (3-3i)z^2\bar{z}^2 + 3iz^2\bar{z} - 3z\bar{z}^2 + i\bar{z}^3 - (30-30i) = \\ &= \frac{1}{1+i} (24t - [6(x^2 + y^2)^2 + 8(x^3 + y^3) + 60]). \end{aligned}$$

The Faddeev eigenfunctions for the potentials $U(z, \bar{z}, t)$ have the form

$$\begin{aligned} \psi(z, \bar{z}, t, \lambda) &= e^{\lambda z} \left(1 + \frac{\mu_1(z, \bar{z}, t)}{\lambda} + \frac{\mu_2(z, \bar{z}, t)}{\lambda^2} \right) = \\ &= e^{\lambda z} \left(1 + \frac{1}{\lambda} \frac{6(-2iz\bar{z}^2 - 2iz\bar{z} + z^2 + 2z\bar{z}^2 + \bar{z}^2)}{Q(z, \bar{z}, t)} + \right. \\ &\quad \left. + \frac{1}{\lambda^2} \frac{12(i\bar{z}^2 + i\bar{z} - z - \bar{z}^2)}{Q(z, \bar{z}, t)} \right). \end{aligned}$$

From the latter formula it is easy to derive “the scattering data” for $U(z, \bar{z}, t)$:

$$\psi(z, \bar{z}, t, \lambda) = e^{\lambda z} \left(1 - \frac{4}{\lambda z} + O\left(\frac{1}{|z|^2}\right) \right) \quad \text{as } |z| \rightarrow \infty,$$

i.e. we have

$$A(\lambda, \bar{\lambda}, t) = -\frac{4}{\lambda}, \quad B(\lambda, \bar{\lambda}, t) = 0.$$

The function $U(z, \bar{z}, t)$ is a solution to the Novikov–Veselov equation with smooth and fast decaying (like $1/|z|^3$ as $|z| \rightarrow \infty$) initial data $U(z, \bar{z}, 0)$ at $t = 0$ that blows up at finite time $t = T_*$ [1]. The blow up happens when $Q(z, \bar{z}, t)$ vanishes at some point.

We note that

- “the scattering data” $A(\lambda, \bar{\lambda}, t)$ and $B(\lambda, \bar{\lambda}, t)$ are stationary;
- the real and imaginary parts of $\mu_2(z, \bar{z}, t)$ give eigenfunctions of H at the zero energy level. By the formula for $\mu_2(z, \bar{z}, t)$, they stay nonsingular and quadratically integrable until the critical time $t = T_*$ when they achieve the same singularities as U .

4 Final remarks

We think that these examples are helpful in understanding the scattering transform for the two-dimensional Schrödinger equation at zero energy and the regularity of the Cauchy problem for the Novikov–Veselov (NV) equation. Therewith we have to mention a couple of results which were very recently obtained in this direction:

1) the scheme of inverse scattering for the NV equation was realized for initial data of conductivity type [14]. We recall that a conductivity type potential is just a potential of the form $u = \frac{\Delta\psi}{\psi}$ with $\psi > 0$ everywhere and $\psi = 1$ near infinity and that operators with conductivity type potentials have no L_2 -eigenvalues;

2) In [8] the first example of a potential with a nontrivial exceptional set E , i.e. set consisting of $\lambda \in \mathbb{C}$ for which the Faddeev eigenfunction (2) is not uniquely defined, was found. That was established for a point potential $u(x) = \varepsilon\delta(x)$. Recently that study was extended in [15] where the first smooth examples of such potentials were found and also a dichotomy type conjecture on the regularity of the Cauchy problem for the NV equation was introduced.

ACKNOWLEDGEMENT. The work was supported by the interdisciplinary project “Geometrical and algebraic methods of finding explicit solutions to equations of mathematical physics and continuum mechanics” of SB RAS and by the program “Scientific Schools” (grant 544.2012.1). The authors thank P.G. Grinevich and R.G. Novikov for helpful discussions.

References

- [1] Taimanov, I.A., and Tsarev, S.P.: Two-dimensional rational solitons and their blow-up via the Moutard transformation. *Theoret. and Math. Phys.* **157** (2008), 1525–1541.
- [2] Faddeev, L.D.: Growing solutions of the Schrödinger equation. *Soviet Phys. Dokl.* **10** (1965), 1033–1035.
- [3] Faddeev, L.D.: Inverse problem of quantum scattering theory.II. *J. Soviet Math.* **5:3** (1976), 334–396.
- [4] Novikov, R.G., and Henkin, G.M.: The $\bar{\partial}$ -equation in the multidimensional inverse scattering problem. *Russian Math. Surveys* **42:3** (1987), 109–180.
- [5] Grinevich, P.G., and Novikov, R.G.: Faddeev eigenfunctions for point potentials in two dimensions. *Physics Letters A* **376** (2012), 1102–1106.
- [6] Grineivhc, P.G., and Novikov, R.G.: Faddeev eigenfunctions for multipoint potentials. [arXiv:1211.0292](https://arxiv.org/abs/1211.0292).
- [7] Grinevich, P.G.: Rational solitons of the Veselov-Novikov equations are reflectionless two-dimensional potentials at fixed energy *Theoret. and Math. Phys.* **69** (1986), 1170–1172.
- [8] Grinevich, P.G., and Novikov, S.P.: Two-dimensional “inverse scattering problem” for negative energies and generalized-analytic functions. I: Energies below the ground state. *Funct. Anal. Appl.* **22:1** (1988), 19–27.
- [9] Vekua, I.N.: *Generalized Analytic Functions*. Pergamon Press: Oxford/London/New York/Paris, 1962.
- [10] Novikov, R.G.: The inverse scattering problem on a fixed energy level for the two-dimensional Schrödinger operator. *J. Funct. Analysis* **103** (1992), 409–463.
- [11] Boiti, M., Leon, J.J.P., Manna, M., and Pempinelli, F.: On a spectral transform of a KDV-like equation related to the Schrödinger operator in the plane. *Inverse Problems* **3** (1987), 25–36.
- [12] Hu Heng-Chun, Lou Sen-Yue, and Liu Qing-Ping: Darboux transformation and variable separation approach: the Nizhnik-Novikov-Veselov equation. *Chinese Phys. Lett.* **20** (2003), 1413–1415.
- [13] Novikov, S.P., and Veselov, A.P.: Finite-zone, two-dimensional potential Schrödinger operators. Explicit formulas and evolution equations. *Soviet Math. Dokl.* **30** (1984), 588–591.

- [14] Perry, P.A.: Miura maps and inverse scattering for the Novikov–Veselov equation. arXiv:1201.2385.
- [15] Music, M., Perry, P.A., and Siltanen, S.: Exceptional circles of radial potentials. arXiv:1211.3520.