

# Competition between the Modulation Instability and Stimulated Brillouin Scattering in a Broadband Slow Light Device

Yunhui Zhu,<sup>1,\*</sup> E. Cabrera-Granado,<sup>1</sup> Oscar G. Calderon,<sup>2</sup> Sonia Melle,<sup>2</sup> Yoshitomo Okawachi,<sup>3</sup> Alexander L. Gaeta,<sup>3</sup> and Daniel J. Gauthier<sup>1</sup>

<sup>1</sup>Department of Physics and the Fitzpatrick Institute for Photonics, Duke University, Durham, North Carolina, 27708 USA.

<sup>2</sup>Escuela Universitaria de Optica, Universidad Complutense de Madrid, C/Arcos de Jalón s/n, 28037 Madrid, Spain

<sup>3</sup>School of Applied and Engineering Physics, Cornell University, Ithaca, NY, 14853, USA

E-mail: \*yz65@phy.duke.edu

**Abstract.** We observe competition between the modulation instability (MI) and stimulated Brillouin scattering (SBS) in a 9.2-GHz broadband SBS slow light device, in which a standard 20-km-long single-mode LEAF fibre is used as the SBS medium. We find that MI is dominant and depletes most of the pump power when we use an intense pump beam at  $\sim 1.55 \mu\text{m}$ , where the LEAF fibre is anomalously dispersive. The dominance of the MI in the LEAF-fibre-based system suppresses the SBS gain, degrading the SBS slow light delay and limiting the SBS gain-bandwidth to 126 dB·GHz. In a dispersion-shifted highly nonlinear fibre, the SBS slow light delay is improved due to the suppression of the MI, resulting in a gain-bandwidth product of 344 dB·GHz, limited by our available pump power of 0.82 W.

PACS numbers: 42.65.Dr, 42.65.Es, 42.81.Dp

Submitted to: *J. Opt.*

## 1. Introduction

Slow light refers to the dramatic reduction of the group velocity  $v_g$  for optical pulses propagating through a dispersive material [1]. Among various slow light approaches, stimulated-Brillouin-scattering-based slow light in single-mode optical fibres has attracted much interest. Because of the optically controllable delay time and tunability of the bandwidth [2,3], stimulated Brillouin scattering (SBS) slow light devices have great potential for all-optical applications such as network buffering, optical packet switching, and data synchronization [4,5]. Fractional delays as large as 3 have been demonstrated recently [6].

In SBS slow light systems, the bandwidth of the device is determined by the linewidth of the resonance. The intrinsic linewidth  $\Gamma_B$  of the resonance in normal single-mode fibre is 40 MHz (FWHM), which is determined by the decay rate of acoustic phonons in the optical fibre. The data rate in such a system is limited to  $\sim\Gamma_B$ , which is insufficient for modern optical communication applications. To solve this problem, broadband SBS slow light has been developed, in which the linewidth of the SBS resonance is broadened using a multi-frequency laser source as the pump beam [7,8].

Herráez *et al.* [9] first demonstrated tailoring of the pump spectrum using direct modulation of the injecting current of the pump laser. Since then, a number of research groups have successfully broadened the bandwidth of the SBS slow light up to tens of GHz, which is much larger than the intrinsic linewidth of the SBS resonance [6,10,11]. However, as we broaden the pump beam spectrum, its power spectral density decreases, thereby suppressing the SBS gain. As a result, the slow light delay, which is proportional to the SBS gain, also decreases. Therefore, the power of the pump beam must be increased to compensate for the reduction of gain at larger bandwidths [12]. As the power increases, other nonlinear optical processes can become important if their response time is fast in comparison to the inverse of the pump beam spectral width. For example, stimulated Raman scattering (SRS) and the modulation instability (MI) have response times of  $\sim 1$  ps [13] and  $\sim 10$  fs [14] respectively, and hence are not affected by pump broadening of several GHz. Eventually, as the bandwidth of the pump is increased and the power increased in proportion, SRS and/or the MI becomes more efficient, potentially robbing pump power and limiting the SBS gain.

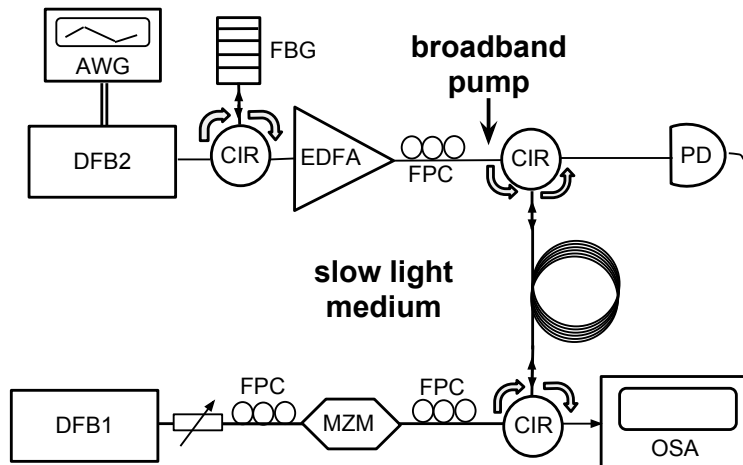
Olsson *et al.* [15] predict that SRS dominates over SBS for pump bandwidths larger than 20 GHz for a gain of 20 dB. No experiment validation of this prediction has been made to the best of our knowledge. On the contrary, our experiment shows that the MI is the dominant competing process in a 9.2-GHz-bandwidth SBS slow light device, which limits the SBS gain-bandwidth product.

In this paper, we study the competing effects and the related limitations on broadband SBS slow light. First, we introduce our broadband SBS slow light experiment and describe the competing processes that can possibly suppress the SBS process. We then verify that SBS is suppressed due to the MI in our broadband SBS device, where a standard single-mode LEAF fibre is used as the SBS medium. We focus here on the LEAF fibre because it is a readily available, relatively inexpensive fibre used in long-haul communication systems and hence is likely to be selected for SBS slow light devices. We also use a wavelength of  $1.55\ \mu\text{m}$  because it is in the centre of the telecommunication band. As a solution to the problem, we show that the MI and the associated SBS slow light degradation are eliminated by using a dispersion

shifted fibre that has normal dispersion at the  $1.55 \mu\text{m}$  wavelength window. Finally, we compare the SBS gain-bandwidth-product limit imposed by the MI with the limit imposed by SRS following the approach of Olsson *et al.* [15] in the LEAF-based system.

## 2. Broadband SBS slow light and the competing processes

In a broadband SBS slow light device, an optical pulse (the signal) is delayed by interacting with a counterpropagating broadband pump beam via the SBS process. As shown in figure 1, two beams (signal and pump) counterpropagate through the slow-light medium (fibre), where they interact and create low-frequency acoustic waves via electrostriction. These acoustic phonons, in turn, scatter the optical beams via Brillouin scattering. When the frequency of the signal beam is tuned to the Stokes line, that is, downshifted by the Brillouin frequency  $\Omega_B$  from the frequency of the pump beam, the opto-acoustic coupling becomes strong, and light from the pump beam is efficiently scattered into the signal beam, inducing a gain resonance and giving rise to a variation in the refractive index in a narrow frequency range around the resonance frequency, which results in a small  $v_g$  for the signal beam [16].



**Figure 1.** Experimental Setup. The injection current of the pump laser (DFB2) is modulated by an arbitrary wavefunction generator (AWG). The current modulation function is tailored to produce a flat-topped broadened gain profile [6]. A Fibre Bragg Grating (FBG) (bandwidth  $\Delta\nu = 24$  GHz, central wavelength  $\sim 1.55 \mu\text{m}$ ) is used to filter out unwanted frequency sidebands from the DFB laser. An EDFA amplifies the pump beam before it is injected into the fibre via a circulator. The signal beam (DFB1) is modulated with a Mach-Zehnder modulator (MZM) and is injected from the other end of the fibre via a circulator. Fibre polarization controllers (FPC) are used to match the polarization orientations of the pump and signal beams. A photodiode (PD) measures the output power of the signal beam and an optical spectrum analyzer (OSA) measures the spectrum of the output pump beam.

Consider an optical pulse propagating through a fibre of length  $L$ , the transit

time  $T_g$  is approximately given by [17, 18]

$$T_g = \frac{L}{v_g} = \frac{Ln_g}{c}, \quad (1)$$

where

$$n_g = n + \nu \frac{dn}{d\nu} \quad (2)$$

is the group index,  $n$  is the refractive index,  $\nu$  is the frequency (in cycles/s) and  $c$  is the speed of light in vacuum. The delay time  $T_d$  in a slow light system is defined as the difference in the transit time through the medium with and without the slow light effect, namely

$$T_d = T_g - T_{g0} = \frac{L}{c}(n_g - n_{g0}), \quad (3)$$

where  $n_g$  and  $n_{g0}$  are the group indices with and without slow light effect, respectively.

In our broadband SBS slow light experiment, a current-modulated distributed feedback laser (DFB) is used to increase the linewidth of the SBS resonance. By designing the modulation function, we obtain a square-shaped pump-beam spectrum [6]. The broadened complex SBS gain profile  $\tilde{g}(\nu)$  results from the convolution of the intrinsic complex SBS gain spectrum  $\tilde{g}_0(\nu)$  with the intensity spectrum  $i_i(\nu_p)$  of the input pump beam, which is given by [12, 18]

$$\begin{aligned} \tilde{g}(\nu) &= \tilde{g}_0(\nu) \otimes i_i(\nu_p) \\ &= \int_{-\infty}^{\infty} \frac{(g_0 P_i / A_{eff} \Gamma) \cdot \text{rect}[(\nu_p - \nu_{p0}) / \Gamma]}{1 - i(\nu + \Omega_B - \nu_p) / (\Gamma_B / 2)} d\nu_p, \end{aligned} \quad (4)$$

where

$$\text{rect}(x) = \begin{cases} 1 & |x| < 1/2 \\ 0 & |x| > 1/2, \end{cases} \quad (6a)$$

$$(6b)$$

$g_0$  is the line centre SBS gain factor (a constant determined by the material),  $P_i = \int i_i(\nu_p) d\nu_p \cdot A_{eff}$  is the input power of the pump beam,  $A_{eff}$  is the effective cross-section area of the fibre,  $\Gamma = 9.2$  GHz is the bandwidth of the pump spectrum and  $\nu_{p0}$  is the central frequency of the pump-beam spectrum. Equation (4) is obtained in the so-called undepleted pump approximation, where the pump beam power  $P_i$  is constant along the fibre.

The gain profile of the broadened SBS resonance is obtained from the real part of the integral in (5) and is given by

$$g(\delta) = \frac{\Gamma_B}{2\Gamma} \frac{g_0 P_i}{A_{eff}} \left[ \arctan\left(\frac{\delta + \Gamma/2}{\Gamma_B/2}\right) - \arctan\left(\frac{\delta - \Gamma/2}{\Gamma_B/2}\right) \right] \quad (7)$$

$$\approx \frac{\pi \Gamma_B}{2\Gamma} \frac{g_0 P_i}{A_{eff}} \text{rect}(\delta/\Gamma) \quad \text{when } \Gamma \gg \Gamma_B, \quad (8)$$

where  $\delta = \nu + \Omega_B - \nu_{p0}$  is the signal beam detuning from resonance. We see that the bandwidth of the resonance is broadened to  $\Gamma$ . However,  $g(\delta)$  scales inversely proportional to the bandwidth  $\Gamma$  and more input power  $P_i$  is required to compensate for the loss in gain.

The refractive index  $n$  associated with the SBS process is obtained from the imaginary part of (5) and is given by

$$n(\delta) = n_0 + \frac{c}{2\pi\nu} \frac{\Gamma_B}{2\Gamma} \frac{g_0 P_i}{A_{eff}} \ln \frac{1 + [(\delta + \Gamma/2)/(\Gamma_B/2)]^2}{1 + [(\delta - \Gamma/2)/(\Gamma_B/2)]^2}, \quad (9)$$

where  $n_0$  is the refractive index without the SBS process. The group refractive index  $n_g$  at zero detuning ( $\delta = 0$ ) is then determined using (2) and (9) to obtain

$$n_g = n + \nu \frac{dn}{d\nu} \Big|_{\delta=0} \approx n_{g0} + \frac{c}{\pi} \frac{\Gamma_B}{\Gamma^2} \frac{g_0 P_i}{A_{eff}}. \quad (10)$$

Because we assume that the pump power  $P_i$  does not change over the fibre length  $L$ , the delay time of an on-resonance signal pulse whose spectral bandwidth is much smaller than that of the broadband SBS resonance is given approximately by

$$T_d = \frac{\Gamma_B}{\pi \Gamma^2} \frac{g_0 P_i L}{A_{eff}} = \frac{G}{\pi^2 \Gamma}, \quad (11)$$

where

$$G = \ln \frac{P_s}{P_{s0}} = 2g(0)L = 2 \frac{\Gamma_B}{\Gamma} \frac{g_0 P_i L}{A_{eff}} \arctan(\Gamma/\Gamma_B) \quad (12)$$

$$\approx \frac{\pi \Gamma_B}{\Gamma} \frac{g_0 P_i L}{A_{eff}} \quad \text{when } \Gamma \gg \Gamma_B, \quad (13)$$

is the power gain experienced by the probe beam, and  $P_s$  and  $P_{s0}$  are the output powers of the signal beam with and without the pump beam, respectively. If attenuation in the fibre is considered, the effective length  $L_{eff} = [1 - \exp(-\alpha L)]/\alpha$  is used in place of length  $L$  in equations (12) and (13), where  $\alpha$  is the attenuation coefficient. We see from (11) and (13) that the delay time  $T_d$  is proportional to the gain  $G$ , which is proportional to the pump power  $P_i$  and inversely proportional to the pump spectral bandwidth  $\Gamma$ . As a result, we are able to control the delay time  $T_d$  by adjusting the pump power.

There are a number of effects that limit the SBS gain  $G$ , thereby limiting the SBS slow light delay. One ultimate limitation on the SBS slow light delay is SBS gain saturation caused by pump depletion. It takes place when the Stokes beam becomes so strong that most of the power contained in the pump beam is transferred to it. Two different saturation processes are involved. One occurs when the initial probe beam is strong; the amplified probe beam grows quickly and depletes the pump beam even for moderate  $G$ . The other one takes place when  $G$  approaches a threshold value  $G_{th}$ , found to be  $\sim 10$  in single-mode fibres [19], where spontaneous Brillouin scattering from thermal fluctuations is amplified and becomes sufficiently large, depleting the pump power even in the absence of a probe beam. When the pump beam is depleted, the undepleted pump assumption is no longer valid. As a result,  $G$ , and thus the delay time  $T_d$ , no longer grow with increasing pump power [16, 19].

Stimulated Raman scattering (SRS) is another competing nonlinear effect in which a pump beam is scattered by high-frequency optical phonons [14]. As a result, the frequency at which the SRS gain resonance occurs is downshifted by  $\sim 13$  THz from the frequency of the pump beam in single-mode fibres. In the presence of a strong pump beam, the Stokes beam initiated by spontaneous Raman scattering is amplified exponentially via the SRS process. When the SRS gain reaches a threshold value of  $\sim 10$  in single-mode fibres [14], most of the pump power is transferred to the Stokes beam.

The SRS gain with a monochromatic pump is typically two orders-of-magnitude smaller than the SBS gain. However, as a result of the fast response time of SRS in single-mode fibres ( $< 1$  ps) [13], the Raman gain is not affected by the spectral broadening of the pump beam up to the value of 9.2 GHz used in our experiment, whereas the SBS gain is inversely proportional to the bandwidth of the pump as shown

in (13). As the pump bandwidth increases, the SBS gain will eventually match the SRS gain, setting the scale for competition between these processes.

MI is yet another process that can compete with the broadband SBS process. MI results from the interplay between the nonlinear Kerr effect and material dispersion. It is a four-wave-mixing process where two copropagating photons of the same frequency are converted into a frequency up-shifted and down-shifted photon pair [14, 20]. As a result, the MI broadens the spectrum of continuous wave (cw) or quasi-cw beams, even turning a continuous wave beam into a train of pulses [20–22]. In the presence of a strong cw or quasi-cw beam propagating through the fibre, noise components in the vicinity of peaks of the MI gain experience exponential amplification, which leads to the creation of two symmetric spectral side lobes [14, 20]. The gain profile of the MI is given by [14]

$$G_{MI}(\nu) = 4\pi^2 |\beta_2 \nu| \sqrt{2\Omega_{peak}^2 - \nu^2} L, \quad (14)$$

where  $\Omega_{peak}$  (in cycles/s) is the frequency shift at which the maximum gain is obtained, and  $\beta_2$  is the group velocity dispersion (GVD) parameter. Here [14],

$$\Omega_{peak} = \pm \frac{1}{2\pi} \sqrt{\frac{2\gamma P_i}{|\beta_2|}}, \quad (15)$$

where  $\gamma$  is the nonlinear parameter. Similar to SRS, the MI is not affected by the pump broadening of 9.2 GHz due to its fast response time (<10 fs). We will show that MI is the dominant competing effect in our SBS experiment at high input pump power  $P_i$  in a LEAF fibre.

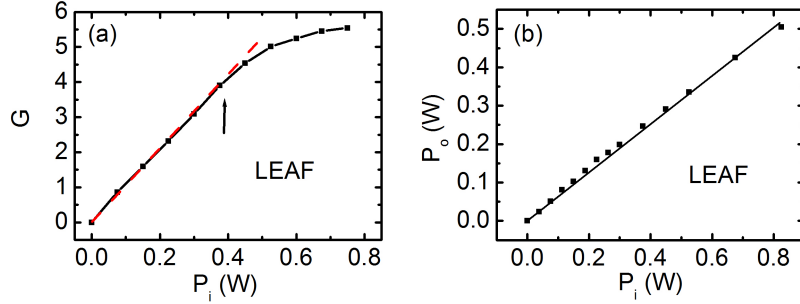
### 3. Experiment results

In the experiment, as shown in figure 1, a distributed feedback (DFB) laser operating at  $\sim 1.55 \mu\text{m}$  is used as the pump source. We modulate the injecting current of the DFB laser with a modified triangle function so that the output beam of the DFB laser has a square-shaped spectrum with a bandwidth of 9.2 GHz [6]. The output of the DFB laser is then amplified with an erbium-doped fibre amplifier (EDFA) to provide enough pump power for the broadband SBS process. The EDFA also controls the input pump power and thereby controls the SBS gain. Another DFB laser is used to generate the signal beam, which is tuned to the SBS resonance. To avoid probe-induced SBS gain saturation, the signal beam is attenuated to a power of  $2 \mu\text{W}$  before it is injected into the SBS medium, where it counterpropagates and interacts with the pump beam via the SBS process. The amplified and delayed signal is detected at the output. The gain  $G$  is obtained by measuring the output powers of the signal beam with the pump beam on and off.

We use two different fibres as the SBS medium in the experiment, a 20-km-long LEAF fibre from Corning and a 2-km-long HNLF fibre from OFS. The parameters of the fibres are shown in Table 1. The GVD parameter  $\beta_2$  is measured by the time-of-flight method [24], in which the group velocity as function of the wavelength is measured by recording the transit time for optical pulses to propagate through the fibre with different central wavelengths. The GVD is obtained by dividing the group velocity differences by the wavelength shift. The nonlinear parameter  $\gamma$  is determined using  $\gamma = 2\pi n_2 / \lambda A_{eff}$ , where the nonlinear-index coefficient  $n_2 \sim 2.5 \times 10^{-20} \text{m}^2/\text{W}$  is used for silica.

**Table 1.** Parameters of the fibres used in the experiment.

	$A_{eff}$	$L_{eff}$	$G/P_i$ (linear region)	$\gamma$	$\beta_2$
LEAF	$72 \mu\text{m}^2$	12.8 km	$10.5 \text{ W}^{-1}$	$1.4 \text{ W}^{-1}\text{km}^{-1}$	$-5.29 \text{ ps}^2/\text{km}$
HNLF	$11.7 \mu\text{m}^2$	1.64 km	$11.1 \text{ W}^{-1}$	$8.7 \text{ W}^{-1}\text{km}^{-1}$	$0.08 \text{ ps}^2/\text{km}$



**Figure 2.** Early saturation of the SBS gain. (a) The SBS gain  $G$  as a function of input pump power  $P_i$ . Saturation is observed around  $G \approx 4$  (vertical arrow), corresponding to an input pump power of  $\sim 0.4$  W; (b) Total power  $P_o$  transmitted through the fibre in the pump beam direction (not spectrally resolved) as a function of the input pump power  $P_i$ , indicating high fibre transparency. In the experiment, a weak continuous-wave beam with an input power of  $2 \mu\text{W}$  is used as the signal beam.

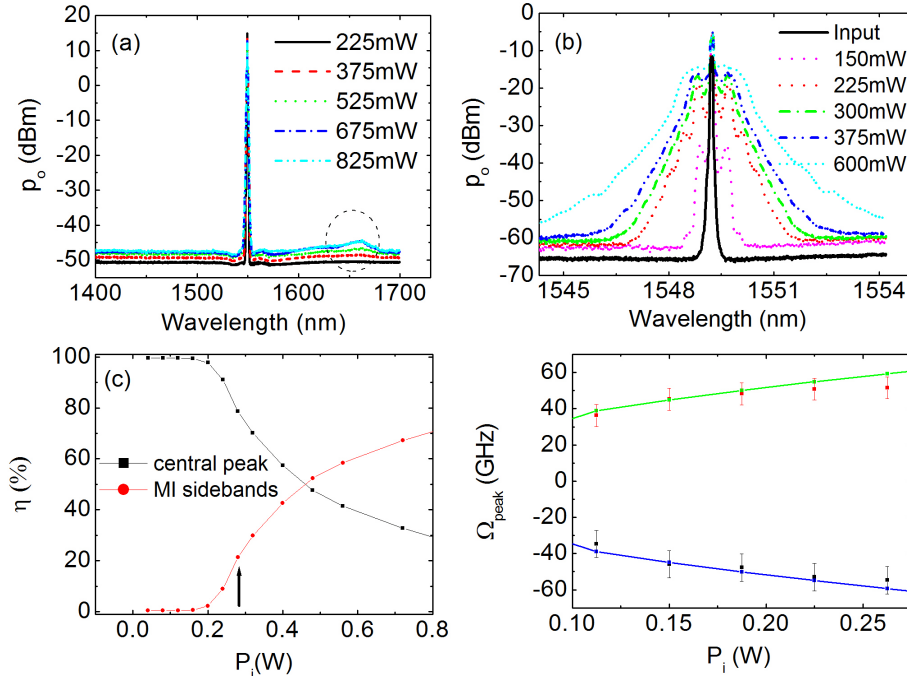
As one of the most widely used low-cost standard single-mode fibre, LEAF fibre offers great compatibility and would substantially lower the cost of SBS slow light devices, rendering it the first candidate for our experiment. It turns out, however, the zero-dispersion wavelength for the LEAF is not shifted to the transparency window, resulting in a large anomalous dispersion  $\beta_2$  at  $\sim 1.55 \mu\text{m}$ , which degrades the SBS slow light performance, as shown below.

The SBS gain as a function of  $P_i$  is measured for the LEAF fibre and is shown in figure 2a. As  $P_i$  is increased from zero to 0.8 W,  $G$  first scales linearly with  $P_i$ , with a slope of  $10.5 \text{ W}^{-1}$ , and then starts to saturate and deviate from linear growth at  $G \sim 4$ , corresponding to an input power  $P_i \sim 0.4$  W (figure 2a). The early saturation of the SBS gain limits the SBS slow light delay.

The saturation behavior shown in figure 2a could be the result of pump depletion due to the SBS process, as we mentioned previously. To rule out this effect, we note the following. First, the saturated value of the gain is  $\sim 4$ , which is much smaller than the threshold gain  $G_{th} = 10$ , indicating that saturation is not induced by spontaneous Brillouin amplification. Second, the amplified signal power  $P_s$  is only 0.5 mW, which is small in comparison to the input pump power 0.75 W, and is hence much too small to deplete the pump. Moreover, the total power  $P_o$  transmitted through the fibre in the direction of the pump beam grows linearly as  $P_i$  is increased from 0 to 0.8 W, as shown in figure 2b, which shows directly that the total transmitted power is not depleted.

To explain the early SBS gain saturation at  $G \sim 4$ , we examine the transmitted pump spectrum  $p_o$  passing through the 20-km-long LEAF fibre (Anritsu model MS9710B optical spectrum analyzer). As  $P_i$  is increased from zero to 0.8 W, no

significant Raman gain is observed (figure 3a). On the other hand, in spectral span of 10 nm, symmetric side lobe structures emerge and grow quickly as  $P_i$  increases (figure 3b). At high  $P_i$ , the spectrum of the pump is flattened as a result of the emergence of secondary sidebands, and the power is spread into a broad frequency span of  $\sim 200$  GHz. Notice that the pump power transferred to the side lobes is no longer on resonance with the signal beam in the SBS interaction and therefore does not contribute to the SBS gain process.

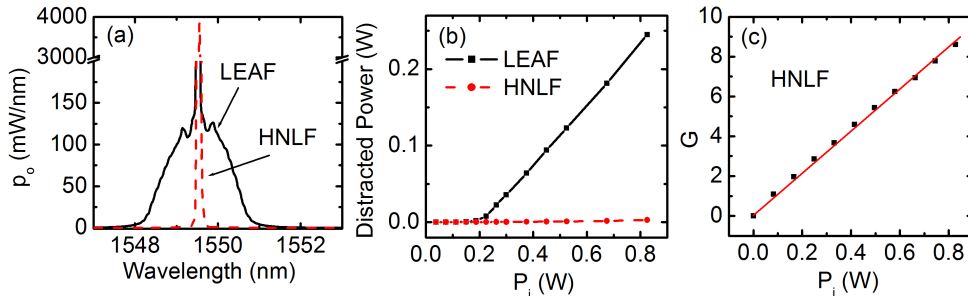


**Figure 3.** Modulation instability in the LEAF fibre. (a) Output power spectral density  $p_o$  of the pump laser (span of 300 nm) with increasing input power  $P_i$ . The circle indicates the Raman peak. (b) Output power density spectra  $p_o$  of the pump laser (span of 10 nm) with increased input power  $P_i$ . The input spectrum of the pump laser (at 40 mW) is also shown. (c) Percentage ( $\eta$ ) of power distributed in the central peak (black square) and in the MI sidebands (red circle) for the output pump beam, as functions of the input power  $P_i$ . The arrow indicates threshold at  $\sim 0.3$  W. (d) Experimental data (point) and theoretical prediction (line) of the frequency shift  $\Omega_{peak}$  of the MI side lobe peaks as a function of input power  $P_i$ .

To determine the amount of power that is transferred to the side lobes, we integrate the power spectral density  $p_o$  of the output pump beam and calculate the distracted power as percentages  $\eta$  of the total power. As shown in figure 3c, a considerable proportion ( $> 20\%$ ) of the pump power is transferred to the sidebands when the input power exceeds  $P_i \sim 0.3$  W. We define this point as the threshold for the MI process and the corresponding input pump power as the threshold power  $P_{th}^{MI}$  in the LEAF fibre. The threshold gain  $G_{th}^{MI}$  is obtained by (14) to be  $\sim 10$ . Note that  $P_{th}^{MI}$  is close to the location where the early saturation of SBS gain occurs. We also compare the measured frequency shifts  $\Omega_{peak}$  of the MI sidelobe peaks with the theoretical prediction using equation (15) and obtain good agreement, as shown in



figure 3d. These observations lead us to conclude that the strong saturation of the SBS gain is caused by the MI-induced pump broadening. In conclusion, we find that MI dominates over SBS beyond a threshold pump power of  $P_{th}^{MI} = 0.3$  W in the LEAF fibre. In a broadband system where  $\Gamma = 9.2$  GHz, the threshold pump power corresponds to an SBS gain  $G \sim 3.2$ , which leads to a limit of 29 GHz or 126 dB·GHz on the SBS gain-bandwidth product.



**Figure 4.** Suppression of modulation instability in HNLf. (a) Output power spectrum  $p_o$  of HNLf (red dash) and LEAF (black solid) at an input power of 0.8 W; (b) MI distracted pump power as a function of input power  $P_i$  in HNLf (red dot) and LEAF (black square). (c) SBS gain  $G$  in HNLf as a function of the input power  $P_i$ .

We next turn to the dispersion-shifted HNLf fibre, which has a small and normal dispersion at  $1.55 \mu\text{m}$ . Because it is widely known that the MI is suppressed due to phase matching constraints in normally dispersive materials [14, 20, 23], we expect to see suppression of the MI and improvement in the gain-bandwidth product for the broadband SBS slow light with the HNLf fibre. As shown in figure 4, it is found that the MI-induced limit on the SBS gain-bandwidth product is indeed removed. With the same 9.2 GHz broadband pump input, the transmitted pump spectrum through the HNLf shows no significant MI peaks (figure 4a). The power converted into off-resonant frequencies is negligible (figure 4b). As expected, early saturation of the SBS gain in the HNLf does not appear (figure 4c), resulting in a larger SBS gain-bandwidth product of 344 dB·GHz, limited by our available pump power of 0.82 W. The result further confirms that MI induced pump broadening is the origin of the early saturation of SBS gain in the LEAF fibre.

#### 4. Discussion

In this section, we compare the relative importance of the two effects that compete with SBS in our broadband SBS slow light system. Following Olsson *et al.*'s approach, we compare the pump power  $P_i$  requirements for the broadband SBS, SRS, and MI processes in the LEAF fibre. Figure 5 shows the input pump power  $P_i$  required to obtain a threshold gain of 10 as a function of the bandwidth  $\Gamma$ . The threshold pump power for the SBS process is obtained from equation (12) taking  $G = 10$  and  $g_0 = 1.06 \times 10^{-11}$  m/W (obtained from figure 2a), giving

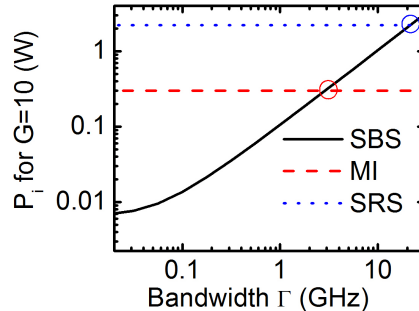
$$P_i = G \frac{\Gamma}{2\Gamma_B} \frac{A_{eff}}{g_0 L_{eff}} \arctan^{-1}(\Gamma/\Gamma_B). \quad (16)$$

Note that we assume that a weak probe beam is used so that the probe-induced SBS saturation does not appear.

The SRS gain is given by [14]

$$G_{SRS} = 2g_R P_i L_{eff} / A_{eff}, \quad (17)$$

where  $g_R = 1.26 \times 10^{-14}$  m/W [15]. The threshold power required for an SRS gain of 10 is obtained by  $P_i = 10A_{eff} / (2g_R L_{eff}) = 2.23$  W. The pump power required for a MI gain  $G_{MI} \sim 10$  is found to be  $\sim 0.3$  W, as mentioned previously.



**Figure 5.** Pump power  $P_i$  required for a  $G$  of 10 versus the bandwidth  $\Gamma$ .

As shown in figure 5, beyond the bandwidth of  $\sim 3.2$  GHz, the LEAF-fibre system hits the MI threshold before it saturates the SBS gain. As a result, MI sets a limit to the SBS gain-bandwidth product. The gain-bandwidth product limit is 29 GHz, or 126 dB·GHz using  $G=10$  in the LEAF fibre. Figure 5 also shows that the SRS becomes more efficient than the SBS when the bandwidth goes beyond  $\sim 22$  GHz, and limits the SBS gain-bandwidth product up to 220 GHz or 955 dB·GHz. The result is consistent with what Olsson *et al.* predict [15]. In the LEAF fibre, the SBS gain-bandwidth product is restricted by the tighter MI-induced limit. However, in normally dispersive fibres where the MI is suppressed, SRS becomes the main limitation on the SBS gain-bandwidth product.

In conclusion, we found that in broadband SBS systems, MI dominates in the high pump power region and sets a limit to the SBS gain bandwidth product, which is 126 dB·GHz in the LEAF fibre. The SBS suppression and SBS slow light performance is improved in normally dispersive materials.

## Acknowledgements

We gratefully acknowledges the financial support of the DARPA Defense Sciences Office Slow Light project.

## References

- [1] Boyd R and Gauthier D 2009 *Science* **326**(5956), 1074.
- [2] Gonzalez-Herraez M, Song K and Thevenaz L 2005 *Appl. Phys. Lett.* **87**, 081113.
- [3] Okawachi Y, Bigelow M, Sharping J, Zhu Z, Schweinsberg A, Gauthier D, Boyd R and Gaeta A. 2005 *Phys. Rev. Lett.* **94**(15), 153902.
- [4] Tucker R, Ku P and Chang-Hasnain C. 2005 *J. Lightwave Technol.* **23**(12), 4046.
- [5] Bo Z, Yan L, Yang J, Fazal I and Willner A 2007 *IEEE Photonics Technol. Lett.* **19**(14), 1081–1083.
- [6] Cabrera-Granado E, Calderon O, Melle S and Gauthier D 2008 *Opt. Express* **16**(20), 16032–16042.

- [7] Stenner M, Neifeld M, Zhu Z, Dawes A and Gauthier D 2005 *Opt. Express* **13(25)**, 9995–10002.
- [8] Shi Z, Pant R, Zhu Z, Stenner M, Neifeld M, Gauthier D and Boyd R 2007 *Opt. Lett.* **32(14)**, 1986–1988.
- [9] González Herráez M, Song K and Thévenaz L 2006 *Opt. Express* **14(4)**, 1395–1400.
- [10] Song K and Hotate K 2007 *Optics letters* **32(3)**, 217–219.
- [11] Yi L, Jaouen Y, Hu W, Su Y and Bigo S 2007 *Opt. Express* **15(25)**, 16972–16979.
- [12] Zhu Z, Dawes A, Gauthier D, Zhang L and Willner A 2007 *J. Lightwave Technol.* **25(1)**, 201–206.
- [13] Stolen R, Gordon J, Tomlinson W and Haus H 1989 *J. Opt. Soc. Am. B* **6(6)**, 1159–1166.
- [14] Agrawal G 2001 *Nonlinear fiber optics*, Springer, .
- [15] Olsson N and Van Der Ziel J 1987 *J. Lightwave Technol.* **5(1)**, 147–153.
- [16] Boyd R 2008 *Nonlinear optics*, Elsevier Inc., .
- [17] Boyd R, Gauthier D, Gaeta A and Willner A 2005 *Phys. Rev. A* **71(2)**, 23801.
- [18] Zhu Z, Gauthier D, Okawachi Y, Sharping J, Gaeta A, Boyd R and Willner A 2005 *J. Opt. Soc. Am. B* **22(11)**, 2378–2384.
- [19] Boyd R, Rzaewski K, and Narum P 1965 *Phys. Rev. A* **42**, 5514.
- [20] Dianov E, Mamyshev P, Prokhorov A, and Chernikov S 1989 *Opt. Lett.* **14(18)**, 1008–1010.
- [21] Cavalcanti S, Agrawal G, and Yu M 1995 *Phys. Rev. A* **51(5)**, 4086–4092.
- [22] Mussot A, Lantz E, Maillotte H, Sylvestre T, Finot C and Pitois S 2004 *Opt. Express* **12(13)**, 2838–2843.
- [23] Tai K, Hasegawa A and Tomita A 1986 *Phys. Rev. Lett.* **56(2)**, 135–138.
- [24] L Cohen and C Lin 1977 *Appl. Opt.* **16**, 3136–3139.