

Introduction to M Theory

Miao Li

*Enrico Fermi Inst. and Dept. of Physics
University of Chicago
5640 S. Ellis Ave., Chicago IL 60637, USA*

This is an introduction to some recent developments in string theory and M theory. We try to concentrate on the main physical aspects, and often leave more technical details to the original literature. ¹

Nov. 1998

¹ Lectures delivered at the duality workshop at CCAST, China, Sept. 1998.

1. Introduction

In the past four years, a series of exciting developments in the area of supersymmetric field theories and string theory has completely changed the landscape of these subjects. Duality has been the central theme of these developments. By now, it is a common belief that different string theories all have the same origin, although this unique theory still remains somewhat mysterious. This theory is dubbed M theory [1]. It appears that all degrees of freedom, given enough supersymmetries, are in our possession, and the future effort will be directed toward finding out a nonperturbative formulation of M theory. Though abstract and seemingly remote from the real world, M theory already has found many useful applications, in particular to supersymmetric gauge theories in various dimensions [2], and to quantum properties of black holes [3].

String theory is the most promising approach to quantum gravity [4]. The primary motivation for many string theorists is to understand how the universally accepted theory in particle physics, called the standard model, comes about from some deeper principles, and how one eventually understands some genuine quantum gravity phenomena. On the one hand, to resolve the so-called hierarchy problem in scales, supersymmetry is a helpful tool provided it is broken dynamically. This certainly demands some nonperturbative treatment of quantum field theory or string theory. On the other hand, any visible quantum gravity effects must involve nonperturbative processes, this is because the effective coupling constant $G_N m^2$ becomes of order 1 in the quantum gravity regime. String theory was formulated, prior to the second string revolution, only perturbatively. Thus, we had little hope to achieve either goal in the past.

Among various dualities in string theory, T-duality was first discovered [5]. It can be realized order by order in the perturbation theory. T-duality has no analogue in field theory, although some novel constructs such as Nahm transformation does have a link to T-duality [6]. Strong-Weak duality, or S-duality, maps a strongly coupled theory to a weakly coupled one. It is a generalization of Olive-Montonen duality in $\mathcal{N} = 4$ super Yang-Mills theory to string theory [7]. As such, it requires certain amount of supersymmetry that is unbroken in the corresponding vacuum. The checks of S-duality in various situations mostly have been limited to the stable spectrum (BPS). Of course some nontrivial dynamic information is already encoded in the BPS spectrum, since many of the states are bound

states of some “elementary states”, and highly technical work must be done in order to merely prove the existence of these bound states. Combination of various T-dualities and S-dualities generates a discrete nonabelian group called the U-duality group [8]. Incidentally, these U-duality groups are just discretization of global symmetry groups discovered long ago in the context of supergravity. String duality is a highly nontrivial generalization of duality in field theory. In field theory, the S-duality maps the description with a weak (strong) coupling constant to a description with a strong (weak) coupling constant. In string theory, there is no free dimensionless constant. Rather, the coupling constant is often the vacuum expectation value of the dilaton field. The collection of the vev’s of massless scalar fields is called the moduli space. Therefore, in many cases, a duality transformation maps one point in the moduli space to another in the moduli space. If these two points can be described in a single theory, then this duality transformation is a gauge symmetry, unlike that in a field theory.

The most powerful technique developed for studying string duality is that of D-branes [9]. D-branes are extended objects on which open strings can end. D stands for Dirichlet, a reference to the boundary conditions on the string world-sheet. This prescription, with corrections taking the recoil effects into account, is valid for the whole range of energies. This property alone singles out D-brane technology from the others, since most of the other tools are applicable only in the low energy regime. It must be emphasized that D-branes are valid only in the weak coupling limit of string theory. However, D-branes represent states that are invisible in the standard perturbation string theory. In fact, most of the heavy solitonic objects in string theory can be identified with D-branes. Since a D-brane, or a collection of D-branes, contains an open string sector, there is a field theory associated to it in the low energy limit. This facilitates the study of bound states. Bound states can be interpreted as excitations in this low energy field theory, some at the classical level, and some at quantum level. Another novel feature of the D-brane physics is that the low energy D-brane field theory actually describes the short distance physics of the closed string sector. This is due to the s-t channel duality of the string interactions [4].

There are many interesting applications of the D-brane technology. We would like to single out two of them. One is the application to the study of quantum field theories. The reason for this possibility is obvious, that the low energy theory of D-branes is a field theory. Some ingenious arrangements of intersecting D-branes and M theory fivebranes make it possible to read off some of the nonperturbative results in a field theory directly from

D-brane dynamics [2]. Since this is a vast and quite independent subject, we will ignore it in these lectures. Another application is to the quantum physics of black holes. For the first time, the Bekenstein-Hawking entropy formula is derived, although for a special class of black holes [3]. In string theory it is possible to have extremal black holes with a macroscopic horizon, due to many different charges that can be carried by a stable soliton. The microscopic degrees of freedom are attributed, in the so-called D-brane regime, to the appropriate open string sector. More surprisingly, the Hawking radiation and the grey-body factor can be reproduced at low energies. This represents tremendous success for M/string theory.

While much has been learned since 1994, the main goal of developing duality for many theorists is still far beyond the horizon, that is to formulate the M/string theory nonperturbatively and in a background independent fashion. It is fair to say that nowadays we cannot say about the nature of spacetime, and the underlying principles of string theory, much beyond what we could when string theory was first formulated as a theory of quantum gravity [10] (But see the next paragraph). It is a miracle that the fundamental quanta of gravity, the graviton, emerges naturally in the string spectrum. Moreover, supersymmetry and gauge principle seems to be codified in string theory too. However, the spacetime itself, though secondary as believed by many, has not emerged naturally thus far. It might be that a certain kind of correspondence principle is lacking. Here the quanta are gravitons etc., while a “classical orbit” is spacetime or other classical backgrounds. By analogy then, we need a formulation much similar to Dirac’s formulation of quantum mechanics in which the correspondence between quantum mechanical objects and the classical ones is best spelt out. Thus it appears that once that goal is achieved, we will have much better understanding of the relation between quantum mechanics and gravity, and possibly of quantum mechanics itself. To some people, eventually quantum mechanics will stand on itself, while a classical object such as spacetime will be secondary and emerge as an approximation. Still, we do not have a framework in which such an approximation can be readily achieved.

Despite the above disappointment, there is a temporary and quite popular nonperturbative formulation proposed under the name Matrix theory [11]. This proposal makes the best use of various aspects of string duality we have learned. In particular, the D-brane intuition forms its most solid foundation. This formulation, though nonperturbative in nature, works only in the special frame namely the infinite momentum frame. As such,

it strips away unnecessary baggage such as redundant gauge symmetries and unphysical states. It also shares many unpleasant features of this kind of physical gauges: some fundamental symmetries including global Lorentz symmetry and local Poincare symmetries are hard to prove. Since space coordinates are promoted to matrices, it reveals the long suspected fact that spacetime is indeed noncommutative at the fundamental level [12]. At present, there are also many technical difficulties associated to compactifications on curved spaces and on compact spaces of dimension higher than 5. This might point to the fundamental inadequacy of this proposal.

Matrix theory has its limited validity. It is therefore quite a surprise that black holes and especially Schwarzschild black holes in various dimensions have a simple description in matrix theory. Many of speculations made on quantum properties of black holes since Bekenstein's and Hawking's seminal works can now be subject to test. Since the quantum nature of spacetime becomes very acute in this context, we expect that further study of black holes in the matrix formulation will teach us much about the formulation itself.

This article is organized as follows. We will summarize the salient features of M theory as the organizing theory underlying various string theories in the next section. Discussion about U-duality and BPS spectrum is presented in sect.3. We then introduce D-branes, first through M-branes then through the perturbative string theory, in sect.4. Sect.5. is devoted to a presentation of matrix theory, hopefully in a different fashion from those of the existing reviews. Sect.6 is devoted to a brief description of quantum black holes in M/string theory. We end this article with the final section discussing the AdS/CFT correspondence, or known as Maldacena conjecture. This is the subject being currently under intensive investigation.

Finally, a word about references of this article. The inclusion of original research papers only reflects the knowledge or lack of knowledge, and personal taste of this author. Undoubtedly many important contributions are unduly omitted, we apologize for this to many authors.

2. M theory as the theory underlying various string theories

There is no consensus on the definition of M theory, since nobody knows how to define it in the first place. Our current understanding of it is through rather standard notion of vacua: The (moduli) space of all possible stable, static solutions in various string theories is connected in one way or another, therefore there must be a unique underlying theory

covering the whole range. One of the interesting limits is the 11 dimensional Minkowski space with $\mathcal{N} = 1$ supersymmetry. Its low energy limit is described by the celebrated 11 dimensional supergravity, discovered before the first string revolution [13]. Practically, as one confines oneself in the low energy regime, any point in the moduli space can be regarded as a special solution to the 11D supergravity. Needless to say, such a specification of M theory is quite poor. For a quantum theory of gravity, there is no reason to focus one's attention on those solutions in which there is a macroscopic Minkowski space. To this class, one can add solutions containing a macroscopic anti-de Sitter space, and time-dependent solutions. The latter is relevant to cosmology. The reason for restricting ourselves to the usual "vacua" is that these are the cases we understand better in ways of a particle physicist: We know how to treat states of finite energy, and interaction therein.

During the first string revolution, we learned that in order to make a string theory consistent, supersymmetry is unavoidable. Further, these theories automatically contains gravity, and have to live in 10 dimensional spacetime. There are two closed string theories possessing $\mathcal{N} = 2$ supersymmetry. These are type II theories. Type IIA is non-chiral, and hence its super-algebra is non-chiral. Type IIB is chiral, that is, the two supercharges have the same chirality. In 10 dimensions, these theories do not contain nonabelian gauge symmetry. There are three theories with $\mathcal{N} = 1$ supersymmetry, all contain gauge symmetry of a rank 16 gauge group. The rank and the dimension of the gauge group are fixed by the anomaly cancellation conditions. This constitutes the major excitement in the first revolution, since for the first time the gauge group is fixed by dynamics. Of the three theories, two are closed string theories with gauge group $E_8 \times E_8$ and $SO(32)$, called heterotic string. The third is an open string theory (with closed strings as a subsector) of gauge group $SO(32)$.

Numerous "theories" in lower dimensions can be obtained from the five 10 dimensional theories, through the compactification procedure. It is here one discovers that the five theories are not all different theories. In 9 dimensions, type IIA is related to IIB by T-duality on a circle [9,14]. Type IIA on a circle of radius R is equivalent to type IIB on a circle of radius α'/R . The moduli space is the half-line, but one is free to call a point either IIA or IIB. Similarly, the two heterotic strings are related in 9 dimensions [15]. Thus, in the end of the first string revolution, it was known that there are only three different string theories. T-duality is an exact symmetry on the world-sheet of strings, namely the perturbative spectrum and amplitudes are invariant under this map. It is reasonable to

extrapolate to conjecture that this symmetry is valid nonperturbatively. The most strong argument in support of this, independent of the the web of various dualities, is that T-duality can be regarded as a unbroken gauge symmetry. Since this is a discrete symmetry, there is no reason for it to be spontaneously or dynamically broken.

It is the hallmark of the second string revolution that the above string theories possess strong-weak duality symmetry. First of all, the type IIB string is self-dual [8]. This duality is very similar to the self-duality of $\mathcal{N} = 4$ supersymmetric Yang-Mills theory (SYM) in 4 dimensions. There is a complex moduli, its imaginary part being $1/g$, g the string coupling constant. Without self-duality, the moduli space is thus the upper-half complex plane. Now the duality group is $SL(2, Z)$ acting on the complex coupling as the rational conformal transformation. The real moduli space is then the familiar fundamental domain. This remarkable symmetry was already discovered in the supergravity era, without being suspected a genuine quantum symmetry at the time. Another remarkable discovery made three years ago is that IIA string also has a dual. In the strong coupling limit, it is a 11 dimensional theory whose low energy dynamics is described by 11 dimensional supergravity. Now the new dimension which opens up is due to the appearance of a Kaluza-Klein worth of light modes, being solitons in the IIA theory. Relating these states to KK modes implies that the string coupling is proportional to the radius of the new dimension.

Furthermore, type I string theory contains stringy soliton solutions, these are naturally related to the heterotic string. Thus type I string is S-dual to the heterotic string with the gauge group $SO(32)$. Finally, as Horava and Witten argued, the heterotic string can be understood as an orbifold theory of the 11 dimensional M theory [16]. This completes the full web of string theories down to 9 dimensions.

Compactifying to even lower dimensions, more duality symmetries emerge. For instance, type IIA on a K3 surface is dual to the heterotic string on T^4 [8,17]. This is a quite new duality, since the heterotic string is a five-brane wrapped around $K3$ in the IIA theory. The universal feature is that in lower and lower dimensions, more and more duality symmetries surface, and this reflects the fact that the spectrum becomes ever richer in lower dimensions and various limits can be taken to see new light degrees of freedom. Again, the U-duality groups, the largest duality groups, already made their appearance in the supergravity era as the global symmetry of supergravities. New light degrees of freedom make it possible to have nonabelian gauge symmetry in the type II theories. It will be seen how this is closely tied up with geometric features of compactification and the

existence of various p-brane solitons.

2.1. A brief review of string theory

String theory has been defined only perturbatively [4]. When a string moves in space-time, it sweeps a 2 dimensional world-sheet. A complete set of perturbation rules similar to Feynman diagrams is given by specifying a local form of a two dimensional field theory and summing over all possible topologies of surfaces. This makes string theory quite different from a quantum field theory: Surfaces are smoother objects than Feynman diagrams. This single fact is the origin of many stringy miracles. For instance, the high energy behavior of a scattering amplitude is much softer [18]. To see this, we only need to know that the string amplitude is proportional to $\exp(-A)$, where A the area of the world-sheet. The area of the interaction region is large and smooth in the high energy limit. Another miracle is the s-t channel duality. This duality serves as the prime motivation for constructing Veneziano amplitude, whose discovery predates string theory.

Since string theory is specified only perturbatively, therefore its classification is carried out by classifying different types of the world-sheet theories. The most important symmetry on the world-sheet is conformal symmetry. Matter fields induce conformal anomaly on the world-sheet, and this must be cancelled in order to decouple the intrinsic world-sheet metric. Without additional local symmetry, it is found that there must be 26 free scalars on the world-sheet, implying that the bosonic string theory makes sense only when embedded into 26 dimensional spacetime. However, this theory is ill-defined due to the existence of a tachyon state.

To improve upon the situation, one has to introduce more gauge symmetry on the world-sheet. Supersymmetry was discovered in this context. To implement supersymmetry, for each scalar X^μ , a Majorana spinor ψ^μ is introduced. Now, each fermion contributes 1/2 to the central charge, and the ghosts of fixing local world-sheet $\mathcal{N} = 1$ supersymmetry contribute 11 to the central charge, the conformal anomaly cancellation condition is $3/2D = 26 - 11$, and the solution is $D = 10$. Thus, for the spinning string the critical dimension is 10. The world sheet action, after removing world-sheet metric and gravitino field, reads

$$S = \frac{T}{2} \int d^2\sigma \left(\partial_\alpha X^\mu \partial_\alpha X^\mu - i \bar{\psi}^\mu \gamma^\alpha \partial_\alpha \psi^\mu \right), \quad (2.1)$$

where T is the string tension, and sometimes is denoted by $1/(2\pi\alpha')$, and α' is called the Regge trajectory slope.

For the time being we focus on the closed string. The first quantization is carried out by solving the equations of motion for X^μ and ψ^μ . It is easy to see that $X^\mu = X^\mu(t-\sigma) + \tilde{X}^\mu(t+\sigma)$, the left-moving piece and right-moving piece. Similarly, the Majorana spinor ψ^μ is separated into a left-moving part and a right-moving part. The component of ψ^μ with positive chirality is left-moving, and the one with negative chirality is right-moving. As always with fermions, there are two possible periodic boundary conditions: $\psi^\mu(\sigma + 2\pi) = \pm\psi^\mu(\sigma)$. The sector in which all ψ^μ are periodic is called the Ramond sector, and the sector in which ψ^μ are anti-periodic is called the Neveu-Schwarz sector. It must be emphasized that the world-sheet supersymmetry demands all ψ^μ to have the same boundary condition. However, since SUSY does not mix the left-moving and the right-moving parts, therefore there are four possible pairings, (R,R), (NS, NS), (R,NS), (NS,R).

In the Ramond sector, there are fermionic zero modes, satisfying the anti-commutation relations $\{d^\mu, d^\nu\} = \eta^{\mu\nu}$. This is just the ten-dimensional Clifford algebra. Therefore the “vacua” form a spinor representation of dimension 2^5 . There is a unique vacuum in the NS sector. Consider the left-moving sector, the world-sheet energy operator is $L_0 = \frac{1}{2}p^2 + N_L/\alpha'$, where N_L is the oscillator operator. To demand the Lorentz algebra be closed, we find that $(L_0 - a)|phys\rangle$ for a physical state, where a is a constant depending on the boundary conditions of ψ^μ . $a = 0$ for the R sector, and $a = 1/2$ for the NS sector. Again there would be a tachyon mode in the NS sector, if we do not execute a certain projection procedure. A consistent projection exists, and is called GSO projection [19]. To this end, construct an operator $(-1)^{F_L}$ which anti-commutes with ψ^μ and commutes with X^μ , moreover, it contains a factor γ_{11} when acting on the Ramond sector. A physical state is defined as a positive eigen-state of $(-1)^{F_L}$, in particular, if one assigns -1 to the NS vacuum, this tachyonic state is discarded. Notice also that only half of the “vacuum” states in the R sector survives, say the half with positive chirality under γ_{11} . Similarly, one can define $(-1)^{F_R}$ for the right-moving sector and exercise the same projection. Now one is free to choose either $\tilde{\gamma}_{11}$ or $-\tilde{\gamma}_{11}$ that is contained in this G parity operator. For the first choice, we obtain a chiral theory, because the surviving spinors in both R sectors have the same chirality. This is type IIB string theory. For the second choice, the theory is nonchiral, since spinors of both chiralities exist. This is IIA string theory.

Thus, in the NS sector, the first states surviving the GSO projection have $N_L = 1/2$. There are ten such states $\psi_{-1/2}^\mu|0\rangle$. From the tensor products (R,NS) and (NS,R) we

would obtain two sets of 10×2^4 states. These are two gravitini. On-shell condition will eliminate more states thus there are only two sets of 8×2^3 physical states. In all, there are 2^7 massless fermionic states. States in (R,R) and (NS,NS) sectors are bosonic. At the massless level, there are total $8 \times 8 = 2^6$ states in (NS,NS) sector. These are just gravitons $G_{\mu\nu}$, “axions” $B_{\mu\nu}$ and dilaton ϕ . There are also 2^6 bosonic states in the (R,R) sector. These states are bi-spinors. One can use matrices $\gamma_0\gamma_{\mu\nu}\dots$ to contract these spinors to obtain anti-symmetric tensor fields. It is straightforward to see that in the type IIA case, only tensor fields of even rank are obtained, and in the IIB case, only tensor fields of odd rank are obtained.

It is a curious feature of the Ramond-Neveu-Schwarz formulation that a tensor field thus constructed corresponds to a field strength, rather than an elementary field itself [20]. Thus in the IIA theory, there is vector field $C^{(1)}$, a rank three anti-symmetric tensor field $C^{(3)}$, and their duals. In the IIB theory, there is a scalar field $C^{(0)}$, a rank two anti-symmetric tensor field $C^{(2)}$, a self-dual rank four anti-symmetric tensor field $C^{(4)}$. All these fields will play an important role in our discussion on D-branes later. Spacetime symmetry is hidden in the RNS formulation. From the existence of gravitino fields, it is clear that both type II theories possess $\mathcal{N} = 2$ SUSY. One is chiral, another is non-chiral.

The above discussion can be readily generalized to the open string theory. An open string sweeps a world-sheet with boundary. In order to obtain the equation of motion from the world-sheet action, it is necessary to specify appropriate boundary conditions. Here a Lorentz invariant boundary condition is the Neumann boundary condition. This implies that the two ends of an open string move with the speed of light. For both the bosonic fields X^μ and the fermionic field ψ^μ , the left-moving modes are related to the right-moving modes through the boundary conditions. Thus, there are only two sectors, the R sector and the NS sector. Again one has to apply the GSO projection in order to get rid of tachyon. In the NS sector, there are 8 on-shell massless states and they correspond to a vector field. There are 8 massless fermionic states in the R sector, corresponding to a Majorana-Weyl fermion. These two fields form a $\mathcal{N} = 1$ vector super-multiplet, and the action is that of the $\mathcal{N} = 1$ U(1) SYM. This construction is generalized to the nonabelian case by assigning the so-called Chan-Paton factor to the ends of a string. It turns out that the open string is nonorientable and the only consistent gauges groups are $SO(N)$ and $Sp(N)$.

An open string loop amplitude contains some poles which can be interpreted as closed

string states. This is due to the fact that a string loop diagram can be deformed in such a way that it contains an intermediate closed string state explicitly. To ensure unitarity of the S-matrix, closed string states must be included in the spectrum. In particular, an open string theory necessarily contains graviton and dilaton. For a generic gauge group, there is a tadpole for the R-R ten form field. To have this tadpole canceled, the gauge group must be of rank 16 and 496 dimensional. There are two possible such groups, $SO(32)$ and $E_8 \times E_8$. The latter cannot be generated by the Chan-Paton factor. Note that when Green and Schwarz first discovered this, they demanded the gauge anomaly to be canceled. This cancellation is equivalent to the vanishing of the R-R ten form tadpole.

The construction of heterotic string was based on the basic observation that in a consistent string background, the left-moving modes on the world-sheet are decoupled from the right-moving modes [21]. To have a consistent theory, either sector must be embedded into a consistent, anomaly free theory. For instance, when the left-moving sector is embedded to that of type II theory, and the right-moving mode embedded into the bosonic string theory, the standard heterotic string is obtained. There are 26 scalars in the right-moving sector, 10 of them are paired with those in the left-moving sector in order to have 10 noncompact scalars. These give rise to 10 macroscopic spacetime dimensions. The remaining 16 scalars can not be arbitrarily chosen. The one-loop modular invariance forces them to live on a torus constructed by R^{16}/Γ_{16} , where Γ_{16} is a 16 dimensional even self-dual lattice. There are only two such lattices, one is given by the root lattice of $SO(32)$, the other is the root lattice of $E_8 \times E_8$. States constructed in the NS sector include gauge bosons of the corresponding group. It is not surprising that the one-loop modular invariance is closely related to the anomaly cancellation condition, thus these groups were anticipated by Green and Schwarz [22].

2.2. Low energy effective actions

We start with the type IIA action, since this theory is closely related to the 11 dimensional supergravity. In a string theory, there are two basic scales. The fundamental one is the string scale, defined by $M_s^2 = T$, or $l_s^2 = \alpha'$. All the massive string states are graded by this scale. The second scale is the Planck scale, it is determined by the Newton constant G_{10} . The gravity strength is proportional to g^2 , where g is the string coupling constant. The Newton constant has a dimension L^8 , and indeed $G_{10} = g^2 l_s^8$. The Planck length is then $l_p = g^{1/4} l_s$. Now in a string theory, g is not a free parameter, it is determined by the vacuum expectation value of dilaton, $g = \exp(\phi)$. Therefore the Planck length is not as

fundamental as the string scale, as viewed in string theory. We shall soon see that there is a third scale in IIA theory, it is the 11 dimensional Planck length. Since all massive states are graded by M_s , one can integrate them out to obtain a low energy effective action for massless fields. In the bosonic sector, there is a metric $G_{\mu\nu}$, an antisymmetric field $B_{\mu\nu}$, a dilaton, a vector field $C_\mu^{(1)}$, a rank three tensor field $C_{\mu\nu\rho}^{(3)}$. In the fermionic sector, there are two gravitino fields ψ_μ with opposite chiralities. The field content forms the ten dimensional type IIA supergravity multiplet. In the low energy limit ($E \ll M_s$), it was shown by taking a direct zero slope limit of string scattering amplitudes that the effective action coincides with that of the IIA supergravity. Since we are not concerned with local supersymmetry yet, it is enough to write down the bosonic part of the action

$$S = \frac{1}{8\pi^2 l_s^8} \int d^{10}x \sqrt{g} [e^{-2\phi} \left(R + 4(\partial_\mu \phi)^2 - \frac{1}{2 \times 3!} H_{\mu\nu\rho} H^{\mu\nu\rho} \right) - \frac{1}{4} F_{\mu\nu} F^{\mu\nu} - \frac{1}{2 \times 4!} F_{\mu_1 \dots \mu_4} F^{\mu_1 \dots \mu_4}], \quad (2.2)$$

where we denote $2\pi\alpha'$ by l_s^2 . H is the field strength of $B_{\mu\nu}$, $F_{\mu\nu}$ is the field strength of the vector field $C^{(1)}$ and $F_{\mu_1 \dots \mu_4}$ is the field strength of $C^{(3)}$. We adopt the definition $F_{\mu_1 \dots \mu_{p+1}} = \partial_{\mu_1} C_{\mu_2 \dots \mu_{p+1}}^{(p)} \pm$ cyclic permutations.

One crucial feature of the low energy effective action is that the action of the R-R fields are not weighted by the factor $e^{-2\phi}$. One certainly can redefine these fields to have this weighting factor, then the simple gauge symmetry $C^{(p)} \rightarrow C^{(p)} + d\epsilon^{(p-1)}$ is lost. This feature is reflected in the world-sheet technique for calculating scattering amplitudes. The vertex operator for an on-shell R-R state corresponds directly to the field strength, therefore perturbative string states are not charged with respect to these long range fields: There is no the analogue of the Aharonov-Bohm effect, therefore there is no R-R charge perturbatively. This is to be contrasted with the $B_{\mu\nu}$ field. The fundamental string is charged with respect to it. As we shall see, the form of the action for an R-R field is responsible for the fact that a solitonic state charged under this field has a mass (tension) scaling as $1/g$.

To see that the IIA effective action is a dimensional reduction of the 11 dimensional supergravity, we need to identify the field content. Compactifying the 11 dimensional theory on a circle of radius R , we obtain a metric, and scalar field ϕ from $g_{11,11}$, and a vector field through the standard Kaluza-Klein mechanism. This vector field is identified with $C^{(1)}$. There is a rank three antisymmetric tensor field A in the bosonic sector of the 11D supergravity. It gives rise to $C^{(3)}$ when all three indices are restricted to 10 dimensions.

the components $A_{11,\mu\nu}$ is identified with $B_{\mu\nu}$. This completes the identification of the bosonic sector. The 11D gravitino is a 11D Majorana fermion, and decomposes into a 10D fermion of positive chirality and a 10D fermion of negative chirality. This is exactly the fermionic sector of the type IIA supergravity. Concretely, we have

$$ds_{11}^2 = e^{4\phi/3}(dx_{11} - C_\mu^{(1)}dx^\mu)^2 + e^{-2\phi/3}G_{\mu\nu}dx^\mu dx^\nu, \quad (2.3)$$

then the 11D supergravity action reduces to the IIA effective action when all massive KK states are discarded. The above decomposition implies that in the 11D Planck unit, there is the relation $R^2 = g^{4/3}$ or $g = (R/l_p^{11})^{3/2}$. Further, the two Newton constants are related by $G_{10} = G_{11}/R = (l_p^{11})^9/R$. The above two relations combined yield $l_s^2 = (l_p^{11})^3/R$. We will soon see the physical meaning of this relation.

A KK mode has a energy $E = n/R$, with an integer n . From the above relations between the compactification scale and the string coupling constant, we deduce $R = gl_s$, so $E = n/(gl_s)$. This state carries n units of charge of $C^{(1)}$, and it must be a nonperturbative state in string theory, since its mass is proportional to $1/g$. This, as will be seen, is a generic feature of a R-R charged state. The KK mode with $n = 1$ is called a D0-brane, as will be explained later. In the string theory framework, other higher KK modes can be regarded as bound states of the fundamental D0-branes, or bound states of anti-D0-branes (for a negative n). In the strong coupling limit, R becomes much larger than the 11D Planck scale, and a new dimension opens up. It is no longer possible to ignore KK states since they become light in 10 dimensions and start to propagate in the full 11 dimensions. This is one of the most striking results in the past four years [23,8].

The low energy NS-NS sector of type IIB string theory is identical to that of IIA theory, and the low energy effective action of this part is the same as that in (2.2). In addition to ϕ , there is a second scalar field $C^{(0)}$ in the R-R sector. This can be combined with ϕ to form a complex field $\tau = C^{(0)} + ie^{-\phi}$. There are two more fields in the R-R sector, $C^{(2)}$ and $C^{(4)}$. The condition on $C^{(4)}$ is that its field strength $dC^{(4)}$ is a self-dual 5 form. There is no simple action for this field, so we will not attempt to write down an action for it. The field strength of $C^{(2)}$, call it H' , together with the field strength H form a doublet of $SL(2, R)$. In fact, one can write down a $SL(2, R)$ invariant effective action as follows.

$$S = \frac{1}{16\pi G_{10}} \int d^{10}x \sqrt{g} \left(R - \frac{1}{12} H_{\mu\nu\rho}^T M H^{\mu\nu\rho} + \frac{1}{4} \text{tr}(\partial_\mu M \partial^\mu M^{-1}) \right), \quad (2.4)$$

where the new metric is $G_{\mu\nu}^E = e^{-\phi/2}G_{\mu\nu}$, the Einstein metric. This metric is invariant under $SL(2, R)$. H^T is the doublet (H, H') and the two by two matrix

$$M = \frac{1}{\Im\tau} \begin{pmatrix} |\tau|^2 & \Re\tau \\ \Re\tau & 1 \end{pmatrix}. \quad (2.5)$$

The action of a $SL(2, R)$ element

$$\Lambda = \begin{pmatrix} a & b \\ c & d \end{pmatrix}$$

on τ is

$$\tau \rightarrow \frac{a\tau + b}{c\tau + d}, \quad (2.6)$$

and the action on H is $H \rightarrow (\Lambda^T)^{-1}H$.

Although we did not write down an action for $C^{(4)}$, it must be noted that $C^{(4)}$ is invariant under $SL(2, R)$. The equation of motion is a first order differential equation, the self-dual condition [24]. Since only the Einstein metric is invariant under $SL(2, R)$, the self-duality is imposed with the use of the Einstein metric. The whole set of equations of motion including fermions is $SL(2, R)$ invariant. This group is broken at the quantum level to $SL(2, Z)$, due to the existence of solitonic objects. The weak-strong coupling duality is a special element of $SL(2, Z)$: $\tau \rightarrow -1/\tau$. The fundamental string is charged under H , then simply due to symmetry, there must be a string-like solution charged under H' . This string is a D-string, and its tension is given by T/g , where T is the fundamental string tension. Moreover, there are infinitely many bound states of these strings, called (p, q) strings [25]. It carries p units of H charge, q units of H' charge. For such a string to be stable, p and q must be coprime in order to prevent the bound state to disintegrate into pieces. The tension formula for the (p, q) string will be given later.

When IIA theory is compactified to 9 dimensions, more massless fields appear. In addition to ϕ , there is one more scalar from G_{99} . These two scalars form a complex scalar, just as τ in IIB theory. There are three vector fields, one inherited from $C^{(1)}$, another from $G_{9\mu}$. They form a doublet of $SL(2, R)$. The third comes from $B_{9\mu}$ and is a singlet under $SL(2, R)$. There are two rank two anti-symmetric fields, one from B , another from $C_{9\mu\nu}^{(3)}$, these form a doublet of $SL(2, R)$. Finally, there is a rank three tensor field. The $SL(2, R)$ symmetry becomes explicit when the IIA in 9 dimensions is regarded as the compactification of the 11D theory on a torus T^2 . For instance, the doublet vectors fields are just $G_{11\mu}$ and $G_{9\mu}$. So $SL(2, R)$ is the symmetry group acting on T^2 . $SL(2, R)$ breaks to $SL(2, Z)$ simply for geometric reason. Thus we have seen that just like IIB theory, there

is an $SL(2, Z)$ duality symmetry in the 9 dimensional IIA theory. This is not surprising, since we already mentioned that IIA is T-dual to IIB in 9 dimensions.

The bosonic content of the massless spectrum of IIB in 9 dimensions is identical to the above. Still there is a complex scalar τ . There are three vector fields, one from $G_{9\mu}$, a singlet of $SL(2, R)$; the other two from $B_{9\mu}$ and $C_{9\mu}^{(2)}$ forming a doublet. Notice that $G_{9\mu}$ in IIB is not to be identified with $G_{9\mu}$ in IIA, since the latter is in the doublet. Thus under T-duality, $G_{9\mu}$ is exchanged with $B_{9\mu}$, a well-known fact. The two rank two fields still form a doublet. Finally, one gets a rank three field from $C_{9\dots}^{(4)}$. The rank four field is dual to the rank three field due to the self-dual constraint on the original field $C^{(4)}$. For more detailed discussion on the effective action with $SL(2, Z)$ symmetry, see [26].

We conclude that in 9 dimensions, the type II theories are unified, and possess $SL(2, Z)$ duality symmetry. This duality group is the geometric symmetry group of the two torus on which the 11D theory is compactified [27].

2.3. Horava-Witten construction and type I/heterotic string theory

The type I string theory is dual to the heterotic string theory, with gauge group $SO(32)$. The low energy effective actions are identical, provided we switch the sign of the dilaton field when switch from one string theory to another. Since $g = \exp(\phi)$, the duality map is a weak-strong duality. If one theory is weakly coupled, then the other is strongly coupled. This helps to avoid an immediate contradiction: In the heterotic string perturbative spectrum there is no sign of open strings; and in the open string theory although there is a closed string sector, there is no sign in the perturbative spectrum of heterotic strings carrying $U(1)$ currents. Heterotic string will appear as solitonic solution in the open string theory. On the other hand, since there is no stable macroscopic open string, thus open string does not emerge as a solitonic solution in heterotic string theory. We will see the origin of open strings when an M theoretical interpretation of type I/heterotic string becomes available.

In the closed string sector of type I theory, there is a metric, an antisymmetric field $C^{(2)}$ and a dilaton. Note that an open string is not charged under $C_{\mu\nu}^{(2)}$, since an open string is non-orientable and thus there is no coupling $\int C^{(2)}$ in the world-sheet action. The corresponding closed string is also non-orientable, thus uncharged against the C field. The super-partner of these massless closed string states is a gravitino with 2^6 degrees of freedom, and they together form the $\mathcal{N} = 1$ supergravity multiplet. In the open string sector of type I theory, there are nonabelian gauge fields and their super-partners, gauginos.

Now in the heterotic string theory, there is no open string sector. The massless states are gravitons, $B_{\mu\nu}$ quanta, dilaton, a gravitino, gauge bosons and gauginos. The content is exactly the same as that of type I theory. Since B is identified with $C^{(2)}$, and the heterotic string is charged under B , thus it must appear as a solitonic state in type I theory, and the string tension is proportional to $1/g_I$ as $C^{(2)}$ is a R-R field. The low energy effective action of the closed string states has the same form of type II theories. The effective action of the super Yang-Mills part is of interest, and is just

$$S = \frac{1}{l_s^6} \int d^{10} \sqrt{g} e^{-\phi} \text{tr} \left(-\frac{1}{4} F_{\mu\nu} F^{\mu\nu} + \frac{i}{2} \bar{\psi} \gamma^\mu \partial_\mu \psi \right), \quad (2.7)$$

where ψ is in the adjoint representation of the gauge group, and is a Weyl-Majorana spinor. The above action is written in the type I language. The gauge coupling constant is $g_{YM}^2 = g l_s^6$, g the string coupling constant. In the heterotic side, the gauge coupling is given by $g_{YM}^2 = g_h^2 l_h^6$, where g_h is the heterotic string coupling constant, and l_h^{-2} the tension of the heterotic string. This is consistent with the fact that even the vector supermultiplet is interpreted as a closed string excitation in heterotic string theory. Using $g_h = 1/g$ and $l_h^2 = g l_s^2$, it can be checked the two definitions of the gauge coupling constant agree.

Now, both type I and heterotic theories are chiral, there is a potential gauge anomaly as well as gravitational anomaly. The anomaly gets canceled only when the gauge group is $SO(32)$ or $E_8 \times E_8$. For type I string, only $SO(32)$ is possible, and it is dual to heterotic string with the same gauge group.

We are left with the heterotic string with gauge group $E_8 \times E_8$. It is related to the other heterotic string theory by T-duality only when it is compactified to 9 dimensions. Does it have a dual theory already in 10 dimensions? The Horava-Witten construction answers this question positively [16].

M theory on $R^{10} \times S^1$ is just IIA string theory. Since M theory is invariant under parity reflection, it is natural to ask whether it makes sense to construct orbifolds of this theory. The simplest possibility is $R^{10} \times S^1 / Z_2$. Here Z_2 acts on S^1 by the reflection: $X^{11} \rightarrow -X^{11}$. Now, the three form field A is odd under the parity reflection, so only the components $A_{11,\mu\nu}$ are even and survive the projection. There will be no three form in 10 dimensions after the Z_2 projection. The Z_2 projection acts on fermions as $\psi \rightarrow \gamma_{11} \psi$. Thus, only half of gravitino which satisfies $\psi = \gamma_{11} \psi$ is left. Further, $G_{11\mu}$ is odd, and thus projected out. It is not hard to see that the massless spectrum in the 11D supergravity multiplet left after the projection coincides with that of the heterotic supergravity multiplet, the 10 dimensional $\mathcal{N} = 1$ supergravity multiplet.

The novelty of Horava-Witten construction is the way to produce the vector supermultiplet of the gauge group $E_8 \times E_8$. This gauge sector comes into play by the requirement that the gravitational anomaly must be canceled. Now the supergravity multiplet on $R^{10} \times S^1/Z_2$ is chiral viewed in 10 dimensions, therefore the gravitational anomaly will arise. The diffeomorphisms to be considered are those of $R^{10} \times S^1$ commuting with Z_2 . Under a diffeomorphism generated by $\delta X^I = \epsilon v^I$ ($I = \mu, 11$), we postulate that the anomaly have a local form

$$\delta\Gamma = \epsilon \int d^{11}x \sqrt{g} v^I W_I, \quad (2.8)$$

where the integral is taken over the manifold $R^{10} \times S^1/Z_2$. Apparently, if x is a smooth point within the bulk of the manifold, there should be no local contribution to the anomaly, since there is no anomaly in 11 dimensions. So W_I must be supported at the orbifold points of S^1/Z_2 , $X^{11} = 0, \pi$. The above integral reduces to integrals over the two 10 dimensional boundaries

$$\delta\Gamma = \epsilon \int d^{10}x \sqrt{g} v^I W_I(x^{11} = 0) + \epsilon \int d^{10}x \sqrt{g} v^I W_I(x^{11} = \pi). \quad (2.9)$$

This form implies that there is an anomaly inflow toward the two walls. And the walls are thus some kind of defect. $W_I(x^{11} = 0, \pi)$ must be given by the standard gravitational anomaly in 10 dimensions.

The anomaly must be canceled by introducing massless fields living only on boundaries. Without much ado, we know that the only consistent way is to introduce a gauge supermultiplet on each boundary. The usual Green-Schwarz mechanism is applicable here, thus the gauge group must have rank 16, and be 496 dimensional. $SO(32)$ is not a good candidate, since it can not be equi-partitioned to the two walls. The reasonable choice is $E_8 \times E_8$. We shall not run into details of anomaly cancellation, but only mention that the way to cancel the anomaly, although similar to that in the heterotic string theory, has an interesting twist, because here all gravitational fields actually live in 11 dimensions, and everything must be written in an 11D integral form.

The relation of the string coupling to the size R of S^1/Z_2 is the same as in the IIA case, $g = (R/l_p)^{3/2}$, where l_p is the 11 dimensional Planck length. And the relation of the string tension to R is $l_s^2 = l_p^3/R$. This can be seen by a similar analysis of the low energy effective action. Another way to see this is through the the mechanism of generating strings from membranes. In the IIA case, a closed string is just a membrane wrapped around X^{11} . In the present context, an open membrane with ends attached to the walls appears as a

closed string. A stable string comes from a stretched membrane between the two walls. It is interesting to note that this mechanism is quite similar to the Chan-Paton mechanism to generate gauge symmetry by assigning colors to the ends of a string.

The strong coupling regime of the heterotic string is better described by a yet unknown 11D supersymmetric theory, whose low energy limit is supergravity. This connection between the M theory on $R^{10} \times S^1/Z_2$ and the $E_8 \times E_8$ string theory sheds light on the duality between the $SO(32)$ heterotic string and type I string. Compactifying further the M theory on $R^9 \times S^1 \times S^1/Z_2$, we obtain a 9 dimensional $E_8 \times E_8$ heterotic string. It is possible to switch on Wilson line along S^1 , thus change the unbroken gauge group. By T-duality, this theory is related to the $SO(32)$ heterotic string in 9 dimensions. Now an open membrane wrapped on the cylinder $S^1 \times S^1/Z_2$ can be either interpreted as a closed string, as on the heterotic side when S^1/Z_2 has a small size, or an open string on the type I side, when S^1 has a small size. We thus see that both open string and heterotic string have a common origin in 11 dimensions. Because the geometric truncations are different, just as in the case when M theory is compactified on T^2 , the string couplings are related by the reciprocal relation.

The relation of 5 string theories to M theory is summarized in the following diagram.

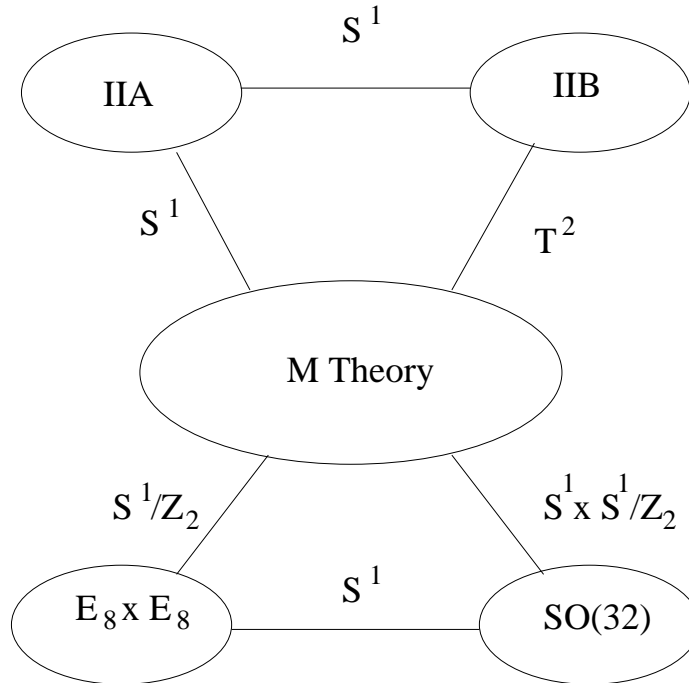


Figure 1. A schematically representation of M theory and its descendants.

3. BPS spectrum and U-duality

The most evidence in support of various duality relations by far comes from the so-called BPS spectrum and the low energy effective actions. A BPS state, by definition, is a stable state often carrying different charges. Being stable, it cannot decay into other states, thus its stability is independent of the coupling constant and other moduli parameters in the theory. Admittedly, the identification of two low energy effective actions after certain field redefinitions is a rather weak condition for the two theories in question to be dual. The BPS spectrum provides rather strong evidence, since some states in one theory are nonperturbative bound states, their existence puts strong constraints on the dynamics.

A BPS state often preserves a certain amount of supersymmetry. Thus a powerful tool to analyze these states is the super-algebra. We have seen that all theories down to 9 dimensions have the same origin in M theory, it is then economic to directly work with the super-algebra of M theory.

3.1. BPS states in 11 dimensions

The superalgebra of M theory in 11 dimensions is the super Poincare algebra. As such, there are total 32 supercharges Q_α . It is possible to choose a Majorana representation of gamma matrices such that all Q_α are Hermitian. The anticommutators are given by

$$\{Q_\alpha, Q_\beta\} = (C\gamma_\mu)_{\alpha\beta}P^\mu, \quad (3.1)$$

where the index μ runs over $0, \dots, 9, 11$. In the Majorana representation, all γ matrices are real, the γ_i are symmetric, while $C = \gamma^0$ is anti-symmetric.

It is possible to generalize the anti-commutation relations to include more central charges. The anticommutators are symmetric in indices α and β , one must add symmetric matrices to the R.H.S. of (3.1). In addition to $C\gamma_\mu$, only $C\gamma_{\mu\nu}$ and $C\gamma_{\mu_1\dots\mu_5}$ are symmetric, the maximally generalized algebra is then

$$\{Q_\alpha, Q_\beta\} = (C\gamma_\mu)_{\alpha\beta}P^\mu + \frac{1}{2}(C\gamma_{\mu\nu})_{\alpha\beta}Z^{\mu\nu} + \frac{1}{5!}(C\gamma_{\mu_1\dots\mu_5})_{\alpha\beta}Z^{\mu_1\dots\mu_5}, \quad (3.2)$$

As we shall see shortly, the objects carrying charge $Z^{\mu\nu}$ are membranes, and the objects carrying charge $Z^{\mu_1\dots\mu_5}$ are fivebranes.

Consider a state with nonvanishing P only. The L.H.S. of (3.1) is a Hermitian matrix. When sandwiched by a physical state, say $\langle P|\{Q_\alpha, Q_\beta\}|P\rangle$, we obtain a matrix whose eigenvalues are either positive or zero. A zero eigenvalue is possible only when $|P\rangle$ is

annihilated by a linear combination of 32 charges Q_α . This particular supersymmetry is unbroken in the presence of this state. Whenever a zero eigenvalue is present, the determinant of this matrix vanishes. On the other hand, the determinant is easily computed using the R.H.S. of (3.1), and is $\det(C\gamma_\mu P^\mu) = \det(\gamma_\mu P^\mu) = (P^2)^{16}$. Only when the on-shell condition $P^2 = 0$ is satisfied, there is a zero eigenvalue. For a single particle state, this is a supergraviton in 11 dimensions. In case there is no zero eigenvalue, $E^2 > P_i P_i$, this is the familiar BPS bound. When this bound is not saturated, the state can decay into, for example, a bunch of supergravitons.

To see how many supersymmetries are unbroken with a supergraviton state, we need to examine without loss of generality, the case $P_{11} \neq 0$. Now $C\gamma_\mu P^\mu = P_{11}(1 - \gamma^0 \gamma_{11})$. The matrix $\gamma^0 \gamma_{11}$ has 16 eigenvalues 1 and 16 eigenvalues -1 , so the matrix $C\gamma_\mu P^\mu$ has half of eigenvalues equal to zero, corresponding to the condition $\gamma^0 \gamma_{11} = 1$. Therefore, there are 16 supersymmetries unbroken by this supergraviton, and they satisfy the condition $\gamma^0 \gamma_{11} \epsilon = \epsilon$.

A membrane carries charge $Z^{\mu\nu}$. Due to Lorentz invariance, $Z^{\mu\nu}$ can be rotated into a nonvanishing component with two spatial indices, if it is space-like, $Z_{\mu\nu} Z^{\mu\nu} > 0$, or into a nonvanishing component with a time index and a space index, if it is time-like. Consider the first case, when $Z^{ij} \neq 0$. If all P except E are vanishing, the R.H.S. of (3.2) reduces to

$$E - \gamma^0 \gamma_{ij} Z^{ij}. \quad (3.3)$$

Again, half of eigenvalues of $\gamma^0 \gamma_{ij}$ are 1, and half are -1 . The above matrix has 16 zero eigenvalues if $E = |Z^{ij}|$, and $\text{sgn}(Z^{ij}) \gamma^0 \gamma_{ij} = 1$. In other words, the unbroken supersymmetry satisfies

$$\text{sgn}(Z^{ij}) \gamma^0 \gamma_{ij} \epsilon = \epsilon. \quad (3.4)$$

However, in a noncompactified 11 dimensional spacetime there is no stable, finite energy membrane configuration. The superalgebra contains much information about the BPS spectrum, but some dynamics is to be imported. Here explicitly, the membrane charge Z^{ij} is generated by a membrane stretched over the (ij) plane

$$Z^{ij} = Q \int dX^i \wedge dX^j, \quad (3.5)$$

and there can be no boundary on this membrane, thus Z^{ij} is infinite, and E is infinite too. A finite, stable membrane configuration can be obtained by compactifying at least two spatial dimensions, say X^i, X^j on a flat torus.

A membrane appears as a solitonic solution in the low energy effective action, with the long range three form $A_{\mu\nu\rho}$ nonvanishing. Indeed, a membrane is directly coupled to this field through the following coupling

$$Q \int A_{\mu\nu\rho} dX^\mu \wedge dX^\nu \wedge dX^\rho. \quad (3.6)$$

A membrane is dynamical, that is, it propagates in spacetime. The world-volume theory of a single membrane, the “fundamental” membrane, is described by a free 2 + 1 supersymmetric theory with 16 supercharges. The world-volume theory of multiple membranes is unknown.

Next, what object can carry a time-like membrane charge, say Z^{0i} ? Generalizing the above analysis, it is easy to find that the unbroken supersymmetry is

$$\text{sgn}(Z^{0i})\gamma_i\epsilon = \epsilon. \quad (3.7)$$

Since $\gamma^0\gamma^1\dots\gamma^{11} = 1$, the above condition is equivalent to

$$\gamma^0\gamma^1\dots\hat{\gamma}^i\dots\gamma^{11}\epsilon = \pm\epsilon. \quad (3.8)$$

Townsend then conjectured that this is given by a 9-brane, whose world-volume is orthogonal to X^i . Indeed, the 9-brane walls of Horava-Witten preserve supersymmetry $\gamma_{11}\epsilon = \epsilon$, and the walls are orthogonal to X^{11} . However, these walls are not dynamic, in the sense that their position in X^{11} does not fluctuate, unlike most of branes we are discussing. We leave this speculation as a curiosity.

The object carrying charge $Z^{i_1\dots i_5}$ is a fivebrane. The unbroken supersymmetry is

$$\text{sign}(Z^{i_1\dots i_5})\gamma^0\gamma_{i_1\dots i_5}\epsilon = \epsilon. \quad (3.9)$$

Again it contains 16 components. A fivebrane is magnetically charged with respect to $A_{\mu\nu\rho}$. One can define a 6-form field $A^{(6)}$ dual to A through $dA^{(6)} = *dA$. A fivebrane is coupled to $A^{(6)}$

$$Q_5 \int A^{(6)}, \quad (3.10)$$

where the integral is taken over the fivebrane world volume.

Since a fivebrane carries a magnetic charge of A while a membrane carries an electric charge of A , it is natural to ask whether there is a Dirac quantization condition for the these charges. There is one, and the way to obtain it is similar to the way to obtain the

original Dirac quantization on the electric charge and the magnetic charge in 4 dimensions, although both objects in question are extended objects. We shall not try to derive this condition here, but will give it in the following section. Note also that the membrane charge and the fivebrane charge satisfy the minimal Dirac quantization condition [29].

The world-volume of a fivebrane is a free theory with 16 supersymmetries. As always with a state which breaks 16 bulk supersymmetries, there are 16 Goldstinos induced on the world-volume. It is easy to identify part of the bosonic sector related to the breaking of translational invariance. There are 5 scalars on the world-volume corresponding to Goldstones of the breaking translational invariance, namely there are 5 transverse directions to the fivebrane. There is a shortage of three bosonic degrees of freedom, compared to 8 on-shell fermionic degrees of freedom. This is supplemented by a self-dual two-form field. The whole supermultiplet is called the tensor multiplet in $5 + 1$ dimensions. Due to the self-duality of the tensor field, the theory is chiral. This can also be seen by examining the unbroken SUSY in (3.9). The world-volume theory of multiple fivebranes is currently unknown, although the limit in which all fivebrane coincide is understood to be described by a super conformal field theory.

There are BPS states carrying two kinds of charges yet preserving half of supersymmetry. For example, one can boost a membrane either in a direction orthogonal to it or in one of its longitudinal directions. In the first case, the total energy is given by the standard relativistic formula for boosting a massive object. The energy is the sum of the momentum and its rest mass in the second case. For this case the boosted membrane is sometimes called a threshold bound state of a membrane and supergravitons, a fancy name.

So far all the BPS states we have discussed preserve half of supersymmetry, namely there are 16 unbroken supercharges. The simplest example of states breaking more supersymmetries is provided by a “bound state” of a membrane and another membrane. Consider the situation when, say, $Z^{12} \neq 0$ and $Z^{34} \neq 0$. $\gamma^0 \gamma_{12} Z^{12}$ commutes with $\gamma^0 \gamma_{34} Z^{34}$, and they can be diagonalized simultaneously. In this case if both $sign(Z^{12}) \gamma^0 \gamma_{12} \epsilon = \epsilon$ and $sign(Z^{34}) \gamma^0 \gamma_{34} \epsilon = \epsilon$ are satisfied, the R.H.S. of (3.2) has zero eigenvalues. This bound state breaks 3/4 of whole supersymmetry.

There are less trivial examples of BPS states preserving 1/4 of supersymmetry. For example, an open membrane stretched between two parallel fivebranes [30], and states with two central charges whose corresponding matrices in (3.2) anti-commute, say when a membrane is trapped in a fivebrane.

3.2. Compactification and U-duality

It is in this subsection we run into the most technical of all subjects reviewed in this article.

A low dimensional string theory is often obtained by compactifying a 10 dimensional string theory on a compact space. The simplest compact spaces are tori. If the metric on the torus is flat, no supersymmetry is broken, and the low dimensional theory has as many unbroken supercharges as in the original 10 dimensional theory. For instance, if we consider type II string theory on T^6 , the low energy theory in four dimensional spacetime is the $\mathcal{N} = 8$ supergravity theory which automatically contains 28 abelian vector fields. The gauge theory is always abelian on the moduli space. This theory can be viewed as compactification of M theory on T^7 . Now it is straightforward to count the dimension of the moduli space. There are 28 scalars of the form G_{mn} , where m, n are tangential indices on T^7 . There are 35 scalars of the form A_{mnp} . So the dimension of the moduli space is 63. Globally, the moduli space is the coset space

$$E_{7(7)}(Z) \backslash E_{7(7)} / SU(8), \quad (3.11)$$

where the group $E_{7(7)}$ is a noncompact version of the exceptional group E_7 , and its dimension is 126. The discrete group $E_{7(7)}(Z)$ is a integral version of $E_{7(7)}$. This is just the U-duality group [8].

The appearance of the U-duality group can be understood as follows. There are 28 abelian gauge fields, and solutions which are either electrically charged or magnetically charged exist. The Dirac-Schwinger-Zwanziger quantization condition for $28 + 28$ charges is invariant under a general $Sp(28, Z)$ transformation. The theory is not symmetric under the full group $Sp(28)$, but only under $E_{7(7)}$, therefore the discrete symmetry must be $E_{7(7)}(Z) = E_{7(7)} \cap Sp(28, Z)$. From the string theory perspective, $E_{7(7)}(Z) \supset SO(6, 6, Z) \times SL(2, Z)$. $SO(6, 6, Z)$ is the T-duality group of T^6 , while $SL(2, Z)$ is the S-duality group. The full U-duality group is much larger than the simple product of the other two smaller groups.

We are somehow cavalier when we write down the product $SO(6, 6, Z) \times SL(2, Z)$, since the T-duality group does not commute with the S-duality group of type IIB. This is quite obvious in the geometric context of the M theory compactification on T^7 . Take a T^2 out of T^7 , one may identify group $SL(2, Z)$ with the geometric symmetry group of this torus. Now the T-duality group mixes one of the circle of T^2 with the remaining T^5 ,

that is, the representation space of $SL(2, Z)$ is not invariant under $SO(6, 6, Z)$. It is not hard to see, by a simple group decomposition of $E_{7(7)}(Z)$, that the T-duality group and the S-duality group together generate the whole U-duality group.

We have avoided talking about how the electric charges and magnetic charges are generated. In general, there are various dyons, and the complete statement is that an integral lattice of 56 dimensions is generated by all possible PBS states of various charges. To see how the elementary charges come about, we take a look at how the 28 abelian gauge fields are inherited upon compactification. 7 vector fields come from the standard KK scheme on T^7 , $g_{m\mu}$. Thus the electric charges are just those KK modes. Magnetic charges are carried by the so-called KK monopoles. The remaining 21 vectors fields are $A_{mn\mu}$. We already learned that in 11 dimensions membranes are electrically charged under A . Now an electric, “point-like” charge in 4 dimensions with respect to $A_{mn\mu}$ is just a membrane wrapped on the corresponding two circles. Further, we also learned that a fivebrane is magnetically charged with respect to A . Now, it is straightforward to wrap a fivebrane on the T^5 orthogonal to the two circles to generate a corresponding monopole. (We simplified the context to consider a rectangular T^7 .) Dyonic states are various bound states of KK modes, KK monopoles, membranes and fivebranes.

There can be no nonperturbative gauge symmetry at any point on the moduli space. This is simply prevented by $\mathcal{N} = 8$ supersymmetry. This large amount of supersymmetry necessarily mixes vector bosons with a spin-two state. The only spin-two state is graviton, and its vector partners are just those 28 abelian fields.

Higher dimensional situation can be derived by decompactifying some circles, and we shall not endeavor to be complete here.

A 4 dimensional string theory with less supersymmetry, say $\mathcal{N} = 4$ SUSY can be obtained using either T^6 compactification of heterotic/type I string, or compactification of type II string on $K3 \times T^2$, where $K3$ is a two dimensional complex manifold of holonomy $SU(2)$ [31]. It is known that for a Majorana spinor there are two covariant constant modes on $K3$, thus from each 10D Weyl-Majorana spinor survive two 6D Weyl-Majorana spinors, which in turn can be regarded as two 4D Majorana spinors. Since there is a factor T^2 in the compact manifold, one does not have to distinguish between type IIA and type IIB. There are therefore two $\mathcal{N} = 4$ string theories in 4 dimensions. We shall argue a little later that the two theories are actually one theory, they are dual to each other.

Consider heterotic/type I string on T^6 first. In the heterotic language, it is readily

seen that the moduli space is

$$[SO(6, 22, Z) \backslash SO(6, 22) / (SO(6) \times SO(22))] \times [SL(2, Z) \backslash SL(2) / U(1)]. \quad (3.12)$$

The first factor is the Narain space in 4 dimensions. 6 in $SO(6, 22)$ is associated to the number of left-moving scalars on the heterotic world-sheet, and 22 is associated to the number of right-moving scalars. $SO(6, 22)$ is the T-duality group. The second factor is associated to the complex scalar containing the axion (dual to $B_{\mu\nu}$) as the real part, and $e^{-2\phi}$ as the imaginary part. Naively, one would expect this moduli space be the upper-half plane, namely $SL(2)/U(1)$. However, this string theory has a self-duality group $SL(2, Z)$, generalizing the Olive-Montonen duality of $\mathcal{N} = 4$ super Yang-Mills theory. This duality was first seriously investigated by Schwarz and Sen [32], and much solid evidence was collected adjoining the Olive-Montonen conjecture. The gauge group is $U(1)^{28}$ at a generic point on the moduli space. As is well-known, at many special points enhanced nonabelian gauge symmetry appear, and the corresponding gauge bosons are already present in the perturbative spectrum.

Heterotic/type I theory on T^6 can be regarded as the M theory compactification on $(S^1/Z_2) \times T^6$, according to Horava-Witten construction. As the type II string theory in 4 dimensions, many electric charges and magnetic charges originate from KK modes, wrapped membranes and five-branes. Some other charges, however, must be derived from the generalized Chan-Paton factors associated to open membranes attached to Horava-Witten walls.

Type II theory on $K3 \times T^2$ has 16 unbroken supercharges. Naturally one wonders whether this theory is a different manifestation of the heterotic theory on T^6 . The answer to this question is yes. Indeed, type IIA compactified on $K3$ is dual to heterotic string on T^4 . It is better to start with 6 dimensions in order to understand this duality better, and the self-duality of the $\mathcal{N} = 4$ theory in 4 dimensions better. The moduli space of the heterotic string on T^4 is given by the Narain space

$$\mathcal{M}_{4,20} = SO(4, 20, Z) \backslash SO(4, 20) / (SO(4) \times SO(20)), \quad (3.13)$$

this agrees with the moduli space of the type IIA on $K3$. This is quite nontrivial, since the moduli space of the latter theory has a complicated geometric origin, and its global structure is subtly related to algebraic geometric features of the $K3$ surface [33]. Here we will be content with counting the dimension of the moduli space of IIA on $K3$. First

of all these moduli all come from the NS-NS sector, since the odd cohomology of $K3$ is empty. There are 22 moduli from the B field, since the second cohomology group is 22 dimensional. The moduli space of the deformation of Ricci flat metric is

$$SO(3, 19, Z) \backslash SO(3, 19) / (SO(3) \times SO(19)), \quad (3.14)$$

(its geometric origin is quite complicated, we skip it here.) it has dimension $19 \times 3 = 57$. Finally a real moduli comes from the dilaton. The total dimension of the IIA moduli space is then 80, exactly the same as that of (3.13).

The rank of gauge group of the heterotic string in 6 dimensions is $20 + 4 = 24$. The group is abelian at a generic point on the moduli space (3.13). Again there are enhanced gauge symmetry groups at some special points. On the IIA side, there is a gauge field from $C^{(1)}$, 22 gauge fields from $C_{mn\mu}^{(3)}$, since this number is equal to the dimension of the second cohomology group of $K3$. Finally $C_{\mu\nu\rho}^{(3)}$ in 6 dimensions is dual to a vector field, thus there are total 24 abelian gauge fields. If this theory is really dual to the heterotic string, there must be a mechanism to generate enhanced gauge symmetry. The natural place to look for new vector multiplets is by examining which solitonic states become light in special situations. Indeed, membranes can be wrapped on various homologically nontrivial surfaces in $K3$, and some of these surfaces degenerate to a point when $K3$ is deformed to the corresponding special point on the moduli space. It is quite requisite that the membranes indeed form vector supermultiplets.

The duality between the two theories in 6 dimensions is strong-weak duality. By examining the low energy effective actions, one finds that the map between two dilaton fields is $\phi \rightarrow -\phi$, thus inverting the string coupling. The heterotic string appear in the IIA theory as fivebranes wrapped on $K3$. It was checked that indeed when the volume of $K3$ is small, the effective world-sheet symmetry of a wrapped fivebrane agrees with that of the heterotic string [17].

Compactifying both theories on a further T^2 , we obtain the duality between the two $\mathcal{N} = 4$ string theories in 4 dimensions. For each theory the T-duality group on T^2 is $SO(2, 2, Z) = SL(2, Z)_U \times SL(2, Z)_T$. The first factor acts on the complex structure and the second on the Kahler structure. It is quite interesting that the second factor in the IIA theory is mapped to the S-duality group in the heterotic string theory. This is the origin of the S-duality group [8].

We have described the two most fundamental U-duality groups in 4 dimensions, and these are related to various higher dimensional U-duality groups. Upon compactification

on more complicated Calabi-Yau spaces, theories with less supersymmetry can be obtained. These theories are still under control in 4 dimensions, if the SUSY is $\mathcal{N} = 2$ [34]. The phenomenologically interesting situation is $\mathcal{N} = 1$, and unfortunately much less is known for these theories. Another interesting direction is spacetime of fewer dimensions. One expects the U-duality get ever richer in lower dimensions [35]. Again this is a regime we are currently lacking useful tools to explore.

4. D-branes as a powerful nonperturbative tool

Membranes and fivebranes in M theory are important objects for realizing various dualities. The world-volume theory of multiple M-branes are not well understood. String theory is obtained from M theory compactification. The perturbation of a string theory is well-defined. It is then a good question to ask whether one can describe brane dynamics better in the string context. For a wide class of branes, the answer is surprisingly simple, that indeed these branes can be described in a perturbative string theory, their existence induces a new sector, an open string sector. The ends of these open strings are attached to D-branes, here D stands for Dirichlet since the world-sheet boundary conditions for open strings are Dirichlet [9].

4.1. D-branes from M-branes

M theory on manifold $R^{10} \times S^1$ is the IIA string theory on R^{10} with coupling constant $g = (R/l_p)^{3/2}$. IIA strings are just membranes wrapped on S^1 , thus the tension of the string is related to tension of membrane T_2 through $T = T_2 R$. The membrane tension can be determined by the Dirac quantization condition on membrane and fivebrane, and is just l_p^{-3} , so we have the relation $l_s^2 = l_p^3/R$.

A membrane stretched along a two plane in R^{10} is a solitonic solution in the string theory carrying R-R charge of $C^{(3)}$. Its tension $l_p^{-3} = l_s^{-3}/g$. That is, if one holds the string scale fixed, the brane tension goes to infinity in the weak coupling limit. This is typical of a soliton solution, but the power g^{-1} is atypical. As we shall soon see, this behavior is what exactly one expects of a D-brane. That is, a membrane in R^{10} is a D2-brane. As we mentioned earlier, a KK mode has a mass l_s^{-1}/g , and this is a D0-brane.

A fivebrane wrapped around R is regarded as a fourbrane in 10 dimensions. Up to a numeric factor, the fivebrane tension is l_p^{-6} , therefore the fourbrane tension is $l_p^{-6} R = l_s^{-5}/g$. Again it scales as $1/g$, the generic feature of a D-brane. Thus, a wrapped fivebrane

on the M circle is a D4-brane. It is dual to D2-brane, as a consequence of the membrane-fivebrane duality. A KK monopole gets interpreted as a sixbrane. Take $S^1 \times R^3$ out of $S^1 \times R^{10}$, the Taub-NUT solution on $S^1 \times R^3$ carries the magnetic charge with respect to $C_\mu^{(1)} = g_{11\mu}$. The solution is Lorentz invariant on the remaining spacetime R^7 , thus it is a sixbrane. It is dual to D0-brane, so it is a candidate for D6-brane. Indeed, the tension of this sixbrane is just the monopole mass on $S^1 \times R^3$, and is given by $R^2/G_{11} = l_s^{-7}/g$, again the right behavior for a D-brane.

To conclude, a D-brane in IIA string theory always has an even spatial dimension.

To get to IIB string, M theory must be compactified on T^2 . If one of the circle is taken as the M circle, a membrane wrapped around this circle become the fundamental string. If this fundamental string is further wrapped around the second circle w times, we obtain a winding string in the IIA theory, which becomes, according to T-duality, a string carrying w unit momentum along the T-dual circle. Similar, a string carrying momentum in the IIA picture is interpreted as a string wrapped on the T-dual circle in the IIB picture.

A membrane transverse to the M circle, as we explained before, is a D2-brane in the IIA theory. This D2-brane can be wrapped around the second circle, or transverse to the second circle. In the first case, it appears as a string in 9 dimensional open spacetime. Let the radius of the M circle be R , and the radius of the second circle be R_1 . The tension of this string is $l_s^{-3}g_A^{-1}R_1$, where g_A is the IIA string coupling constant. According to the T-dual formula, $g_A^{-1} = g_B^{-1}l_s/R_1$, where g_B is the IIB string coupling constant, we find the string tension be $l_s^{-2}g_B^{-1}$. According to the $SL(2, Z)$ duality invariance, this tension is just the tension of the string which carries the R-R charge of field $C^{(2)}$. Again the behavior $1/g_B$ is that of a D-brane. This object is a D1-brane, or a D-string. In order to go to the 10D IIB string limit, $R_1 \rightarrow 0$, since in this case the radius of the T-dual circle $l_s^2/R_1 \rightarrow \infty$. Now $g_B = (g_A l_s)/R_1 = R/R_1$, for a fixed g_B , $R \sim R_1 \rightarrow 0$. The 10D IIB limit is obtained by shrinking both radii.

The second case mentioned in the previous paragraph gives rise to a 2-brane in 9 noncompact spacetime. The tension of this 2-brane is $l_s^{-3}g_A^{-1} = l_s^{-4}g_B^{-1}\tilde{R}_1$, where $\tilde{R}_1 = l_s^2/R_1$ is the radius of the T-dual circle in the IIB theory. This can be interpreted as a D3-brane wrapped around this circle in the IIB picture. How can one obtain a unwrapped D3-brane? This must be a D4-brane in the IIA theory wrapped around R_1 . Indeed the 3-brane tension is $l_s^{-5}g_A^{-1}R_1 = l_s^{-4}g_B^{-1}$, the same formula we obtained before. Eventually, this is a fivebrane wrapped on the torus on which M theory is compactified.

Furthermore, a D4-brane transverse to the R_1 circle has a tension formula whose correct interpretation is a D5-brane wrapped around the T-dual circle. A unwrapped D5-brane is not a M-fivebrane transverse to the torus, as we already learned that the latter is a NS-fivebrane in the IIA theory, and its tension does not have the right scaling in the string coupling. However, one can take a D6-brane wrapped around R_1 , which is just a KK monopole on the M-circle. A simple calculation shows its tension has the correct scaling behavior in g_B , thus it is a D5-brane transverse to the \tilde{R}_1 circle.

The above discussion clearly shows that there is a simple relation between D-branes in the IIA theory and D-branes in the IIB theory. The D-brane grows one more dimension if it is transverse to the circle on which T-duality is performed, and loses one dimension if it is wrapped around this circle. As a consequence, the a D-brane in IIB string theory always has odd spatial dimensions.

There are higher dimensional D-branes in both type II theories. A D-brane with dimensions higher than 6 necessarily induces some unusual geometry in the transverse space, and thus its nature is more complicated.

4.2. D-branes as a consequence of T-duality

Take the bosonic string as a simple example. Let X be the scalar compactified on a circle of radius R . For a closed string, the solution to the world-sheet action is $X(z, \bar{z}) = X(z) + \tilde{X}(\bar{z})$, where

$$\begin{aligned} X(z) &= x + i\sqrt{\frac{\alpha'}{2}}(-\alpha_0 \ln z + \sum_{n \neq 0} \frac{\alpha_n z^n}{n}), \\ \tilde{X}(\bar{z}) &= \tilde{x} + i\sqrt{\frac{\alpha'}{2}}(-\tilde{\alpha}_0 \ln \bar{z} + \sum_{n \neq 0} \frac{\tilde{\alpha}_n \bar{z}^n}{n}), \end{aligned} \tag{4.1}$$

where we used the complex coordinate on the world-sheet which is a cylinder. Explicitly, we have $z = \exp(t + i\sigma)$, t is the Euclidean world-sheet time. On a circle, this solution is also specified by the total momentum and winding number. The momentum along the circle is proportional to $\int d\sigma \partial_t X \sim \alpha_0 + \tilde{\alpha}_0$, this determines

$$\alpha_0 + \tilde{\alpha}_0 = \frac{2m}{R} \sqrt{\frac{\alpha'}{2}}.$$

The winding number is encoded in $\Delta X = \sqrt{2\alpha'}(\alpha_0 - \tilde{\alpha}_0)\pi = 2\pi wR$. Thus

$$\begin{aligned}\alpha_0 &= \left(\frac{m}{R} + \frac{wR}{\alpha'}\right)\sqrt{\frac{\alpha'}{2}}, \\ \tilde{\alpha}_0 &= \left(\frac{m}{R} - \frac{wR}{\alpha'}\right)\sqrt{\frac{\alpha'}{2}}.\end{aligned}\tag{4.2}$$

The T-duality symmetry is readily seen in the above mode expansion. Exchanging R and α'/R , m with w , this maps α_0 to α_0 and $\tilde{\alpha}_0$ to $-\tilde{\alpha}_0$. Furthermore, if the oscillator part $X(z)$ is kept the same, and the sign of the oscillator part of $\tilde{X}(\bar{z})$ is reversed, not only the spectrum is invariant, the correlation functions of vertex operators are also invariant. This is just the T-duality map. The new coordinate compactifies on a circle of radius α'/R .

A usual open string does not have a winding number, since it is not well-defined. To see this directly, one solves the equation of motion with Neumann boundary conditions imposed on the ends. \tilde{X} is no longer independent of X , actually one must identify $\tilde{\alpha}_n$ with α_n in order to satisfy Neumann boundary conditions. Upon T-duality, since $\tilde{X} \rightarrow -\tilde{X}$, the Neumann boundary condition is longer satisfied. Instead, the Dirichlet boundary conditions $\partial_t X(z, \bar{z}) = 0$ are satisfied on the both boundaries. This means that the ends of the new open string are fixed at a certain value of X . Thus, in a theory containing open strings, the Dirichlet boundary conditions can not be avoided, since it is a consequence of T-duality map.

The zero mode x in the open string mode expansion has no canonical value under T-duality map, it can be anywhere. If we start with type I string theory, then formally one can associate a 9-brane to a Chan-Paton factor. The fact the the world-volume of a 9-brane fills the whole 10D spacetime means that the ends of an open string can move freely in 10D spacetime. After T-duality, the ends of new open strings must be fixed in the X direction, this means that open strings are attached to a 8-brane whose world-volume is transverse to X . This is a D8-brane. To get a D7-brane, compactify a spatial dimension along the world-volume of the D8-brane, and perform T-duality. D-branes of various dimensions can be obtained this way. This T-duality map between a D(p+1)-brane and a Dp-brane is just what we predicted using M-branes.

The world-sheet supersymmetry implies that the boundary condition for the fermions must be same. The situation is similar to the case of Neumann boundary conditions. In the RNS formalism, one is free to set $\psi^\mu(\sigma = 0) = \tilde{\psi}^\mu(\sigma = 0)$, then there are two choices at the other end: $\psi^\mu(\sigma = \pi) = \pm\tilde{\psi}^\mu(\sigma = \pi)$. We obtain in the open string sector either Ramond sector or NS sector. In the Green-Schwarz formalism, the fermionic

fields are spinors. Specify to the IIB theory, the spinors are $S^a(z)$ and $\tilde{S}^a(\bar{z})$ of the same chirality of the Clifford algebra of $SO(8)$. Take the light-cone coordinates as two coordinates tangent to the D-brane. There $9-p$ transverse directions to the brane, denoted by X^{p+1}, \dots, X^9 . These indices are part of $SO(8)$. The boundary conditions for these spinors are $S(\sigma = 0) = \tilde{S}(\sigma = 0)$, $S(\sigma = \pi) = \gamma^{p+1, \dots, 9} \tilde{S}(\sigma = \pi)$. Of course for this condition to be consistent, p must be odd. A similar statement for the boundary conditions for spinors in the IIA theory holds, and in this case p is always even and the two spinors have the opposite chirality of $SO(8)$.

It is now easy to see which part of SUSY is preserved by the presence of the D-brane, and which part is broken. The SUSY generators are constructed in string theory by using contour integrals involving world-sheet spinors. From each spinor 16 SUSY generators can be constructed. Each set forms a Majorana-Weyl spinor of $SO(9, 1)$. It follows from the spinor boundary conditions that only one set of SUSY survives, in other word, there is a constraint

$$Q = \gamma^{0, \dots, p} \tilde{Q}, \quad (4.3)$$

on the two sets of SUSY generators. the above agrees with the results obtained from M-brane considerations. This result can also be derived using T-duality. We saw that under T-duality transformation, $\tilde{X}^i(\bar{z}) \rightarrow -\tilde{X}^i(\bar{z})$. In order to preserve the world-sheet supersymmetry (which is gauged and should not be broken), $\tilde{\psi}^i(\bar{z}) \rightarrow -\tilde{\psi}^i(\bar{z})$. Upon quantization, the zero modes of ψ and $\tilde{\psi}$ become two sets of gamma matrices. The effect of changing the sign of the gamma matrix $\tilde{\gamma}^i$ on the conserved supercharge is to add or remove the corresponding factor in (4.3), depending on whether the new D-brane is wrapped around the T-dual circle or not.

4.3. Some exact formulas

To check whether the definition of D-branes will result in the formulas for the brane tension we deduced using M-branes, one needs to calculate interactions between two parallel D-branes. The force is mediated by open strings stretched between two D-branes. More precisely, one needs to compute the one-loop vacuum amplitude, see fig.2. By the s-t channel duality, this cylinder diagram can be viewed as the tree diagram for closed strings. Physically, this diagram represents the process of emission of a closed string by one D-brane and the subsequent absorption of this closed string by the other D-brane.

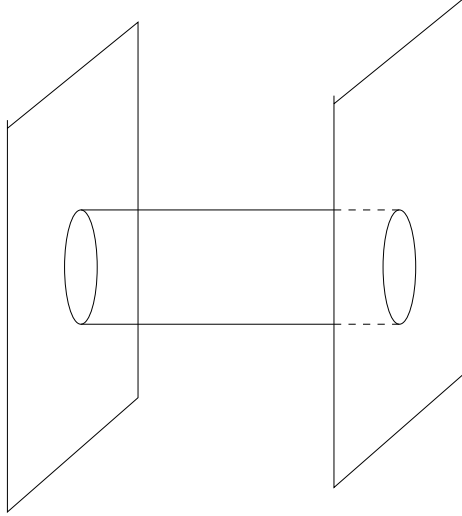


Figure 2. *The one-loop vacuum diagram of an open string stretched between two parallel two D-branes. This is the cause of the interaction between these branes .*

The one-loop amplitude for open strings stretched between two D $_p$ -branes is

$$A = V_{p+1} \int \frac{d^{p+1}k}{(2\pi)^{p+1}} \int \frac{dt}{2t} \sum \pm e^{-2\pi\alpha' t(k^2 + M^2)}, \quad (4.4)$$

where V_{p+1} is the volume of the world volume, and can be set to be finite by an infrared cut-off. The sum is taken over all possible states of open strings, for a boson, the plus sign is taken, and for a fermion the minus sign is taken. All the bosons live in the NS sector, and all the fermions live in the R sector. Note the factor $2\pi\alpha'$ in the exponential is chosen for convenience.

The open string spectrum can be determined by imposing the standard on-shell conditions $L_0 - a = 0$, where the constant a depends on the sector. The on-shell condition then implies $M^2 = X^2/(2\pi\alpha')^2 + \text{oscillators}$, where X is the separation between the two branes. The first term reflects the fact that for a stretched string without oscillator modes, the mass is given by TX . One also need to execute the GSO projection. After a little calculation one finds

$$A = V_{p+1} \int \frac{dt}{2t} (8\pi^2\alpha't)^{-(p+1)/2} e^{-X^2/(2\pi\alpha')} f_1^{-8}(q) (-f_2^8(q) + f_3^8(q) - f_4^8(q)), \quad (4.5)$$

where $q = e^{-\pi t}$ and

$$\begin{aligned}
f_1(q) &= q^{1/12} \prod_{n=1}^{\infty} (1 - q^{2n}), \\
f_2(q) &= \sqrt{2} q^{1/12} \prod_{n=1}^{\infty} (1 + q^{2n}), \\
f_3(q) &= q^{-1/24} \prod_{n=1}^{\infty} (1 - q^{2n-1}), \\
f_4(q) &= q^{-1/24} \prod_{n=1}^{\infty} (1 + q^{2n-1}).
\end{aligned} \tag{4.6}$$

Due to the Jacobi identity for theta functions, the sum in the parenthesis of (4.5) vanishes identically. This is not surprising, since we know that the parallel D-branes break only half of supersymmetry, therefore the standard no force condition between two BPS state is satisfied.

Although the total one-loop amplitude vanishes, one still can glean some nontrivial information from (4.5). This is because, as we pointed out earlier, that the dual closed string channel contains exchange of many closed string states. When the separation X is large, the exchange of massless closed string dominates. As in a gravitation theory, there is exchange of graviton, plus dilaton in string theory, these are states in the closed string NS-NS sector. If the D-branes are charged with respect of R-R tensor field, there is exchange of this massless state. In fact, after switching to the closed string channel, the term f_4 in (4.5) corresponds to contribution of the R-R sector. The large separation behavior of (4.5) is governed by the small t region. Using the asymptotics of theta functions, one finally finds

$$A_{NS-NS} = -A_{R-R} = V_{p+1} 2\pi (4\pi^2 \alpha')^{3-p} G_{9-p}(X^2), \tag{4.7}$$

where G_{9-p} is the Green's function in the $9-p$ dimensional transverse space.

The D $_p$ -brane is coupled to the R-R field $C^{(p+1)}$ in the form

$$\int d^{10}x \frac{1}{2 \times (p+2)!} F_{\mu_1 \dots \mu_{p+2}} F^{\mu_1 \dots \mu_{p+2}} + \mu_p \int C^{(p+1)}, \tag{4.8}$$

that is, the $p+1$ form can be integrated over the $p+1$ dimensional world-volume. Because of this coupling, there is a Coulomb like potential between two parallel D $_p$ -branes induced by the R-R field. Comparing this effect with the direct calculation of one-loop amplitude, we deduce

$$\mu_p^2 = 2\pi (4\pi^2 \alpha')^{3-p}. \tag{4.9}$$

As an immediate consequence, $\mu_p \mu_{6-p} = 2\pi$, the minimal Dirac quantization condition.

The brane tension determines the interaction strength caused by the exchange of graviton and dilaton. The action of the graviton and dilaton was given in sect.2. The exchange of a graviton takes the form of Newton potential in the limit of large separation, thus its strength is proportional to $\kappa^2 T_p^2$, where κ^2 is proportional to the Newton constant. The exchange of a dilaton is also an attractive force, and practically doubles the above effect, so we have $2\kappa^2 T_p^2 = \mu_p^2$. Finally, the relation between κ^2 and the string coupling constant in 10 dimensions is $\kappa^2 = 2^6 \pi^7 g^2 \alpha'^4$. We obtain

$$T_p = \frac{2\pi}{g} (4\pi^2 \alpha')^{-(p+1)/2}. \quad (4.10)$$

The scaling in the string tension agrees with what we expected. We have set the convention for tension such that for a D-string $T_1 = T/g$, T is the string tension. For a D0-brane, the tension is the mass $M = T_0 = 1/(\sqrt{\alpha'}g)$.

4.4. D-brane world-volume theory

In type I string theory, the vertex operator for an abelian gauge field is defined by

$$V_\xi = \xi_\mu \partial_t X^\mu e^{ik \cdot X}, \quad (4.11)$$

where the operator is defined on the boundary of the world-sheet. ∂_t is the tangent derivative along the boundary, given the Neumann boundary condition $\partial_n X^\mu = 0$. ξ_μ is the polarization vector.

For open strings attached to a Dp-brane, it is still possible to define a vertex operator as in (4.11), provided X^μ coincide with the world-volume coordinates, the longitudinal directions. The only difference is that k^μ must lie along the longitudinal directions too, since only these world-sheet scalars have zero modes. Thus for a Dp-brane, we know there is an abelian gauge field living in the world-volume. This is the case in type II theories, since the only consistent Chan-Paton factor associated to a single D-brane is the $U(1)$ factor. In type I theory, the story is a little more complicated, and we shall not attempt to explain it here. If X^i is one of the transverse coordinates, it is no longer possible to define a vertex operator as in (4.11), since $\partial_t X^i = 0$ according to the Dirichlet boundary condition. However, the following vertex operator still has the correct conformal dimension

$$V = \xi_i \partial_n X^i e^{ik \cdot X}. \quad (4.12)$$

It represents a quanta of a scalar field ϕ_i on the world-volume.

In fact the above exhausts all the bosonic massless states on a single D-brane. Since the D-brane preserves half of supersymmetry, therefore there must be fermionic partners of these bosonic fields. In type I theory, these are gauginos, quanta of a Majorana-Weyl fermion. For open strings attached to a D-brane, there is no essential modification for the boundary conditions of world-sheet fermions, and we expect to have the same content of fermions. These fermions are just the dimensional reduction of the 16 component gaugino field in 10D. Thus, for a D-brane in type II theory, the massless supermultiplet living on the brane is the dimensional reduction of the 10 dimensional $U(1)$ super Yang-Mills multiplet.

This vector multiplet can be deduced based on the general Goldstone theorem. The presence of a D_p -brane breaks the translational invariance in the $9-p$ transverse directions, there must be corresponding Goldstone modes. These modes must be localized on the brane, since a local fluctuation of these modes represents the local transverse position of the brane. If there were such modes propagating in the bulk, these modes would have to be included in the theory without the presence of the D-brane. The presence of the brane also breaks 16 SUSY's, therefore there are 16 fermionic Goldstone modes. When on-shell, these modes obey the Dirac equation, so there are only 8 on-shell such modes. However, 8 fermionic modes and $9-p$ bosonic modes can not furnish a representation of the unbroken SUSY's, there must be $p-1$ additional bosonic modes, and this number is just the number of degrees of freedom encoded in a massless vector field in $p+1$ dimensions.

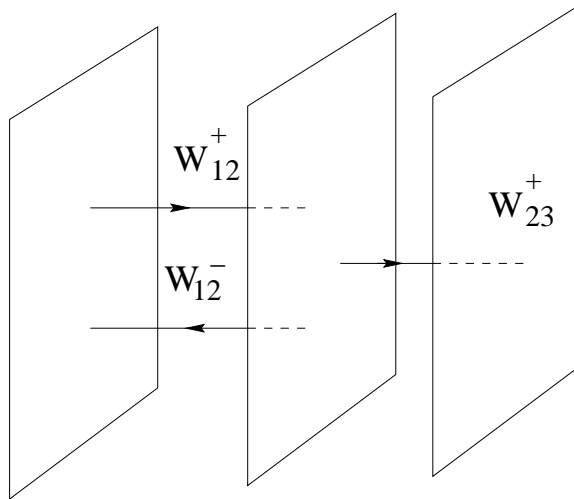


Figure 3. *The geometric realization of Higgs mechanism by parallel D-branes. Massive W bosons are just stretched strings between D-branes, such a string is charged under the difference of two $U(1)$ groups corresponding to the two D-branes.*

The low energy effective action is similar to (2.7), except that we should replace $2\pi\alpha'A_i$ by ϕ_i . Before we write down such an action, we turn to the case of multiple parallel D-branes. Each D-brane contributes a $U(1)$ Chan-Paton factor, therefore there are at least a gauge group $U(1)^N$, N is number of branes. This can not be the whole story, as we have seen in between each pair of branes, there is a new open string sector which is responsible for interaction between these two branes. The open string in a type II theory is oriented. For one orientation, the end of an open string is positively charged under the $U(1)$ factor of the corresponding D-brane, the other end is negatively charged under the other $U(1)$ factor, and one can regard this as a W^+ mode. An open string with the opposite orientation can be regarded as a W^- mode. All these modes can be checked to form a vector supermultiplet of the unbroken supersymmetry. since the mass of these modes is proportional to the separation of the two D-branes, they become massless modes when two D-branes coincide, and we conclude that the gauge symmetry is enhanced. In fact, there are total $N(N-1)$ such vector supermultiplet, together with the N $U(1)$ vector multiplets, they form the gauge field of $U(N)$ group. What we have described above is a geometric realization of Higgs mechanism: When the a pair of branes are separated, a Higgs vev is given to the corresponding sector, and the group $U(2)$ is broken to $U(1)\times U(1)$. The W boson has a mass proportional to the Higgs vev which in turn is just the separation of the two D-branes.

The effective action of the abelian part, for small field strength, is given by the same action of (2.7). For a large field strength, one has to use the so-called Born-Infeld action [37]

$$S_{BI} = -T_p \int d^{p+1}x e^{-\phi} \sqrt{\det(G_{\mu\nu} + \partial_\mu\phi_i\partial_\nu\phi_i + 2\pi\alpha'F_{\mu\nu})}. \quad (4.13)$$

It is easy to verify that for small fluctuations the expansion of the above action to the quadratic order is the Maxwell action plus free scalars. It is possible to supersymmetrize the above action to include the gaugino field. Since we are writing the action in the so-called static gauge (the world-volume coordinates σ^μ are identified with spacetime coordinates X^μ), supersymmetrization is simple. It is also possible to work with a covariant form. The procedure involves κ symmetry and is quite complicated.

The Born-Infeld action gets modified when a background field $B_{\mu\nu}$ is turned on. It is straightforward to see that, due to the coupling $\int B$ on the world-sheet, the gauge invariance $B \rightarrow B + d\alpha$ is broken. This symmetry is restored if a gauge field α is switched on, since this field couples to the world-sheet boundary as $\oint \alpha$. Thus, the combination

$F_{\mu\nu} - B_{\mu\nu}$ is invariant under the combined gauge transformation: $B \rightarrow B + d\alpha$, $A \rightarrow A + \alpha$. Components B_{ij} decouple on the world-sheet due to the Dirichlet boundary conditions. F in (4.13) must be replaced by $F - B$.

A Dp-brane is coupled to the R-R field C^{p+1} . When F is switched on, some lower rank R-R fields are induced, this is verified by a direct calculation using the boundary state technique. We consider a nonabelian situation. When all R-R fields are switched on, the full bosonic action is [38],

$$S = -T_p \int d^{p+1}x \text{STr} \sqrt{\det(\eta_{\mu\nu} + \partial_\mu \phi_i \partial_\nu \phi_i + 2\pi\alpha' F_{\mu\nu} - B_{\mu\nu})} + \mu_p \int C \wedge \text{tr} \exp(2\pi\alpha' F - B), \quad (4.14)$$

where in the second term, the Chern-Simons like coupling, C is the sum of all possible R-R forms in the theory, and $F - B$ is a two form. We omitted the nontrivial dependence on $[\phi_i, \phi_j]$. The symbol STr implies that before the trace is taken, any term involving a product of matrices must be symmetrized over all matrices.

4.5. Some applications

There are many applications of D-brane technology. The most important is to use them to realize states predicted by various string dualities. In many cases the predicted BPS states are bound states of D-branes of various types.

1. D0-branes and IIA/11D supergravity duality

Historically, the first piece of evidence for 11th dimension in the strongly coupled IIA string is the analysis of solitonic states charged under $C^{(1)}$. These are super particles in 10 dimensions, furnishing short supermultiplets of the type IIA supersymmetry. The mass is given by $n/(gl_s)$ and is protected by SUSY. In the large g limit, these masses become light, and there is no reasonable 10 dimensional theory accommodating infinitely many massless spin 2 particles. The only natural scenario, as we have seen, is to interpret them as KK modes of a 11 dimensional theory compactified on a circle of radius $R = gl_s$.

The state with $n = \pm 1$ is a D0-brane or an anti-D0-brane. The system of N D0-branes is described, in the low energy and small R limit, by the nonabelian quantum mechanics, which is the dimensional reduction of 10D SYM to 0+1 dimensions. There are 9 Hermitian bosonic matrices. When all of them are nearly commuting, their diagonal part can be interpreted as the positions of N D0-branes. The new ingredient is the off-diagonal

elements which have no clear geometric interpretation. In a loose sense the system can be said as a realization of noncommutative geometry.

The existence of the single particle state of charge N/R predicts that there is a normalizable bound state (and super-partners) in the N D0-brane quantum mechanics. Since the total energy of the bound state is the sum of individual masses of D0-branes, the binding energy vanishes. A state with vanishing binding energy is called a threshold bound state. Logically one can not exclude a state with the same R-R charge meanwhile is totally independent of D0-branes, although nothing like this has been found. From our experience with quantum mechanics we know that the spectrum of the N D0-brane system must be continuous, in order to have a threshold bound state. This fact was proven long time ago in the context of a discretized membrane, whose dynamics happens to coincide with the nonabelian quantum mechanics in question. A proof of the existence of threshold bound states was found only recently, first for $N = 2$, later for a prime N . Thus there can be no other single particle state of the same R-R charge. However, the wave function of a threshold bound state constitutes a very interesting open problem.

2. (p, q) -string and IIB S -duality

The $SL(2, Z)$ duality of IIB string predicts the existence of (p, q) -string, with p, q coprime. The $(1, 0)$ string is the fundamental string, and $(0, 1)$ is the D-string. A $SL(2, Z)$ map can bring, say, a $(1, 0)$ string to a (p, q) -string. The string tension formula is

$$T_{p,q} = T\sqrt{p^2 + q^2/g^2}, \quad (4.15)$$

where we assumed that vev of the R-R scalar $C^{(0)}$ vanishes.

Witten argued for the existence of such a string as a bound state of $q > 1$ D-strings, although a more rigorous argument is still being awaited. However, when $q = 1$, the bound state $(p, 1)$ can be realized by a D-string with a constant electric field $2\pi\alpha'F_{01} = pg$, if g is small enough. This can be seen by examining the B field induced by F , starting from the B-I action (4.13), or simply by examining the energy of this configuration using the B-I action. Ignoring other fields, the B-I action of an electric field on the D-string is

$$S_{BI} = -\frac{T}{g} \int d^2x \sqrt{1 - (2\pi\alpha'E)^2}, \quad (4.16)$$

where $E = \partial_t A$, and we have set $A_0 = 0$, the temporal gauge. The conjugate momentum of A is

$$P_A = \frac{2\pi\alpha'E}{g} (1 - (2\pi\alpha'E)^2)^{-1/2},$$

where we used $T2\pi\alpha' = 1$. The energy of per unit length is then

$$E = \frac{T}{g\sqrt{1 - (2\pi\alpha'E)^2}}, \quad (4.17)$$

which is equal to the desired tension formula if $2\pi\alpha'E = pg$ is small enough. To yield the exact formula we require

$$2\pi\alpha'E = \frac{pg}{\sqrt{1 + (pg)^2}}, \quad (4.18)$$

we see that there is a limit on the possible field strength which is just $E_c = 1/(2\pi\alpha') = T$. This is related to the well-known phenomenon that if the electric field is larger than the critical value, the open string pair product rate diverges and such a state is unstable.

From the Chern-Simons coupling of (4.14), we also see that a R-R scalar field is induced by the constant E on a D-string.

3. Heterotic string as the D-string in type I theory

Type I string theory contains a nonorientable open string sector. The realization of the Chan-Paton factor $SO(32)$ may be interpreted by open string ends attached to different D9-branes. There are total 32 D9-branes. The existence of branes breaks half of supersymmetry, the 16 supercharges are given by the combination $Q - \gamma^{0\dots 9}\tilde{Q}$. In other words, the background induced by D9-branes puts constraint $Q = \gamma^{0\dots 9}\tilde{Q}$.

There is a rank two R-R tensor field $C^{(2)}$ in the theory, as we argued in sect.2 that the solitonic string charged under this field is just the heterotic string. Here we interpret this solitonic string as a D-string. The introduction of a stretched d-string along, say X^1 introduces another constraint $Q = \gamma^{01}\tilde{Q}$. It is easy to show that this is compatible with the constraint coming from D9-branes. There are 8 unbroken supercharges satisfying both constraints.

The D-string introduces two open string sectors, call them the DD sector and the DN sector respectively. The DD sector contains open strings with both ends attached to the D-string. As before, in the NS sector there are possible vertex operators $A_\mu\partial_t X^\mu$ and $\phi_i\partial_n X^i$, where $\mu = 0, 1$ and $i = 2, \dots, 9$. The exchange of the two ends of an open string is realized by $\sigma \rightarrow \pi - \sigma$. So the gauge field is odd (since it is proportional to the first oscillator) and the scalars are even. And the gauge field is projected out for a nonorientable string. The fermions in the R sector are subject to the same constraint on the supercharges, therefore they are left-movers.

The DN sector consists of open strings with one end attached to the D-string, and another end to one of 32 D9-branes. detailed analysis shows that only the R sector contains

massless states, which comes from quantization of the world-sheet fermions ψ^μ . There are two states, again subject to the constraint $\lambda = -\gamma^{01}\lambda$. Therefore there is only one right-moving fermion from each D9-brane Chan-Paton factor. In all, there are 32 right-moving fermions. To summarize, the massless states from both the DD sector and the DN sector are exactly those expected of the “matter” content on the world-sheet of a heterotic string.

4. *D4-D0 bound states*

As the final example, let us consider the realization of bound states of D0-branes and D4-branes. The existence of these bound states are also required by string duality. The simplest way to see this is to lift the IIA theory to 11 dimensions, and D4-branes are fivebranes wrapped along X^{11} , and D0-branes are just momentum modes along X^{11} , the state can be obtained by boosting fivebranes along a uncompactified X^{11} and then periodically identifying X^{11} . The total energy must be the sum of energy of D4-branes and that of D0-branes. This is just a threshold bound state.

Consider an instanton solution along the 4 spatial directions of the world-volume of D4-branes [39,38], and $\int \text{tr}F \wedge F \sim k$, k is the instanton number. This, according to the Chern-Simons coupling in (4.14) generates field $C^{(1)}$. A careful computation shows that it has exactly k D0-brane charge. It is then natural to interpret this configuration as a bound state of D4-branes and k D0-branes. It remains to check whether the binding energy vanishes.

The total energy of the system is given by the sum of the energy of the un-excited D4-branes and $\int d^4x \text{tr}F^2$ up to a numerical coefficient. It is the property of an instanton solution that $\int d^4x \text{tr}F^2 = \frac{1}{2} \int \text{tr}F \wedge F$. Indeed the excess of energy is proportional to the energy of k D0-branes. After collecting all the coefficients it is seen that it is equal to the energy of k D0-branes.

A quantum state is obtained by quantization over the moduli space of instanton number k in the weak string coupling limit. If the string coupling is not small, there is a finite probability for D0-branes to escape away from D4-branes, then quantization over the so-called Coulomb branch, the branch describing detached D0-branes, is necessary. This problem has not been solved, although the classical action for this system is available.

5. The matrix theory conjecture

5.1. *Why matrix theory works*

We have seen that the only stable states in M theory when none of the eleven space-

time dimensions is compactified are those of supergravitons, and multi-particle states of supergravitons. Membranes and fivebranes are not stable, unless they are stretched along an infinite hyper-plane. Those states have infinite energy and therefore are not visible in any dynamical process. That supergravitons should be the only particle states is a consequence of the eleven dimensional super Poincare algebra. To this author, there are two possibilities that may help to avoid this hasty conclusion. The first is the postulate that there are some constituents which do not form a single particle representation of the super Poincare algebra. Rather, a spin two state, for example, is a composite of these constituents. In particular, this implies that there is no supersymmetry operating directly on these constituents. However, we know of no such example in any dimensions being proposed. The closest thing coming in mind is some effective supersymmetry in certain nuclei, although the underlying theory has no such symmetry. The second possibility is similar to the first in spirit. Here instead of looking for constituents with a different symmetry structure, one might look for a theory in which super Poincare symmetry manifests only when one specifies the Minkowski background. In such a scheme, one will be forced to abandon Einstein's equivalence principle, since this principle dictates that locally there is a Minkowski frame, and therefore there is local super Poincare symmetry. Thus, even local Poincare symmetry would have to be a consequence of emergency of spacetime.

Matrix theory in the above regard is a rather conservative scheme [11,40]. Here one takes seriously the conclusion that supergravitons are the most fundamental. Furthermore, not all supergravitons are equally fundamental. This comes about from the D0-brane picture. We learned that D0-branes are just supergravitons with a unit momentum on the M circle. Higher KK modes are bound states of these D0-branes. Now, if one is to assume that all stable objects upon compactification are composite of D0-branes too, one is forced to focus on those states with nonzero M momentum. Therefore, the infinite momentum frame interpretation seems very natural with this scheme. In the IMF, every system carries an infinite amount of longitudinal momentum. Here the longitudinal direction is taken to be the M direction. We will always denote this dimension by X_{11} .

Define the rest mass of a system through the relativistic relation $p^2 = -M^2$, where p is the eleven momentum of the system. If one of the momentum component p_{11} is much greater than others, then $p_+ = E + p_{11} \sim 2p_{11}$. The light-cone energy $E_{LC} = E - p_{11}$ is

$$E_{LC} = \frac{p_i^2 + M^2}{2p_{11}}, \quad (5.1)$$

where p_i is the transverse momentum, having 9 component. This simple kinetic relation

indicates that the system in the IMF is a nonrelativistic system, and is the source of much simplification of physics.

Upon compactifications, more stable states will be generated. Due to the special kinetics in the IMF, the ability to describe various states will impose strong constraints on the structure of bound states. We will see that indeed the IMF kinetics is closely related to the duality properties of the bound states. We will go up in compact dimensions starting with a simple circle.

1. M theory on S^1 [11,41]

Compactifying M theory on a circle X_9 yields the IIA theory. This is the first example in which we expect new states in the spectrum. As usual the wrapped membrane around X_9 gives rise to a string. Such a string state is not stable, however. The stable states are those KK modes associated with X_9 . These are new D0-branes. Since such a state carries KK momentum in X_9 , we may expect to obtain it by boosting a D0-brane parton in X_9 direction. The IMF physics forces us to boost a large collection of partons, when $R_9 \rightarrow 0$, since for a fixed p_9 , the velocity v_9 would grow too large for a small mass. We will see this picture will come out nicely in the 1+1 SYM description of matrix theory [42].

As we shall see, a cut-off in X_{11} would be essential for writing down the dynamics of matrix theory. For a finite cut-off, a finite energy state is obtained by wrapping a membrane around X_{11} as well as around X_9 . Due to boost invariance along X_{11} , the light-cone energy is expected to be independent of $p_{11} = N/R$. Now, if we are to hope that such a state can be regarded as a composite state made of D0-brane partons, we must have $E_{LC} = E - p_{11}$ to be independent of p_{11} in the large p_{11} limit. Is this true? If we still regard X_{11} as the M theory circle, then we have a bound state of wrapped fundamental string with winding w_9 and D0-branes. By doing T-duality along X_9 , we have a bound state of N D-strings and a fundamental string of momentum $p_9 = w_9/\tilde{R}_9$. This bound state is described by the Born-Infeld action for a D-string. Physically, the momentum p_9 is realized by open string modes moving along the \tilde{X}_9 direction on the D-strings. Since these modes are massless, the net energy is proportional to p_9 and therefore to w_9 . This net energy is just $E_{LC} = E - p_{11}$. We see that indeed E_{LC} of the original state, the wrapped longitudinal membrane, is independent of p_{11} . Thus, without running into the technical details, we already see that matrix theory can work on a circle.

2. M theory on T^2 [43]

Let $T^2 = (X_8, X_9)$. Various KK modes and longitudinally wrapped membranes are

described in the same way as discussed before. Now we have a first nontrivial transverse state, the membrane wrapped around T^2 . The membrane is a transverse object and its mass should be boost invariant. According to the general formula $E_{LC} = E - p_{11} = M^2/2p_{11}$, where M is the energy of the membrane in the rest frame, the light cone energy shall scale to zero in the large p_{11} limit, and moreover it is proportional to w^2 where w is the wrapping number of the membrane. Again this is a consequence of duality. Taking X_{11} as the M circle, the membrane is interpreted as a D2-brane wrapped on T^2 . We are studying the bound state of this D2-brane with many D0-branes. Now the energy can be calculated using the D2-brane Born-Infeld action. Again, there is an alternative and more physical way to do this. Suppose we do T-duality along X_9 , we obtain a D-string of wrapping number N from N D0-branes. This D-string is wrapped around \tilde{X}_9 . Another D-string wrapped around X_8 is obtained from the D2-brane. The wrapping number is w . Naively, one would say that the total energy is proportional to $\alpha N + \beta w$, where α and β depends on the radii. This is wrong. We are looking for a ground state of a D-string with quantum numbers N and w . Apparently the lowest energy state is given by a straight D-string wrapped along a diagonal of the relevant torus. Thus the energy of this state is given by $\sqrt{(\alpha N)^2 + (\beta w)^2}$. In the large N limit, we have $E - \alpha N = (\beta w)^2/(2\alpha N)$. Indeed E_{LC} behaves as exactly what was expected. Here we see that the energy of the membrane is completely soaked up by D0-branes in the large N limit. This is typical of boosting a transverse object, and is the reason why interaction properties can be computed in the large N limit.

3. M theory on T^3 [44]

We expect no new type of states. However, interpreting one of three circles of T^3 as the M circle enables one to perform T-duality along the other two circles to get to a new IIA theory. This T-duality will have a surprising manifestation in matrix theory.

4. M theory on T^4 [45]

Two classes of new states arise. Both are related to M theory fivebranes. Wrapping a fivebrane around T^4 as well as the longitudinal direction gives rise to the longitudinal fivebrane. A string is obtained by wrapping a fivebrane around T^4 only. The latter is not a stable state, although strings are always special since they can be quantized. As in the longitudinal membrane case, we expect that the light-cone energy of a boosted longitudinal fivebrane is independent of the boosting. How does this come about? Again the reason is to be found using duality. With X_{11} interpreted as the M circle, we are studying the bound

state of a D4-brane and many D0-branes. This bound state is a threshold bound state, namely the binding energy is zero. One way to see this is to look at the Higgs branch of the D4-brane, where D0-branes get interpreted as instantons in the world-volume theory. This argument is suggestive, but not conclusive, since its nature is classical. A much more comforting picture is obtained by performing two steps of duality. T-dualing along a circle gives rise to a D3-brane and D-strings. S-dualing in this IIB picture we obtain a D3-brane with fundamental strings threading in the orthogonal direction. This state has a vanishing binding energy according to the D-brane theory.

The mere existence of the above discussed threshold bound states with the presence of many longitudinal fivebranes indicates a hidden dimension in the matrix theory. Details are postponed.

5. M theory on T^5 [46]

In addition to states already exist upon compactification on T^4 , a new class of transverse states is derived from wrapping fivebranes around T^5 . If we take X_{11} as the M circle, we are talking about a bound state of a NS fivebrane and D0-branes. T-dualing along one circle of T^5 , we obtain a bound state of D-strings and a NS fivebrane. S-dualing in the IIB theory, we have a D5-brane and fundamental strings. T-dualing in the remaining four directions on T^5 , we have a bound state of a D-string and parallel fundamental strings. Let the wrapping number of the D-string be w , the total energy of this dyonic string is given by $\sqrt{(\alpha N)^2 + (\beta w)^2}$, a well-known formula. This is the correct answer for boosting a transverse fivebrane.

6. M theory on T^6

Up to T^5 , we have argued that the boosted longitudinal as well as transverse objects all have the right energy relation, using various duality transformations. These transformations, as will be seen, all have realization in matrix theory, therefore the corresponding objects can be constructed as excitations in matrix theory.

Things become nasty on T^6 . Taking one circle of T^6 as the M circle, we can have a D6-brane wrapped around the remaining T^5 . This gives rise to a new string, may be called KK monopole string, However, a KK monopole involves a nontrivial topology. Asymptotically, the topology of the compact space is T^6 . At the core of the monopole, the M circle shrinks to a point. We do not have a nice matrix description of this. We can also consider a D6-brane wrapped around T^5 of T^6 and the longitudinal direction. Again one wishes to be able to describe this longitudinal brane with many D0-branes. In discussions on tori of

fewer dimensions, it has been always useful to interpret X_{11} as the M circle. But now with the presence of a 6-brane we run into trouble. Since one of the circles is not a standard one, D0-branes can not be T-dualized along that circle. If one T-dualizes along the other 5 circles, one obtains D5-branes with a transverse circle collapsing to a point at the core of the 6-brane. (The 6-brane is no longer a D6-brane, since X_{11} is taken as the M circle.) The winding number of the open string sector in the D5-brane theory is not conserved.

A description of the bound state of D0-branes and the 6-brane can be obtained only when one performs T-duality along X_{11} . This is an operation that we have not used before. In any case, this allows one to show that indeed the desired energy relation for boosting a longitudinal object is valid. We do not know how to describe a T-duality along the longitudinal direction in matrix theory, thus we do not know whether it is possible to construct the 6-brane as an excitation in matrix theory. (The recently discussed N-duality might be useful in this regard)

As we shall see later, there is a much more serious problem with matrix theory on T^6 .

7. M theory on T^7

To make the matter worse, let us consider compactification on T^7 . Taking again one circle of T^7 as the M circle, and wrapping a D6-brane around the remaining T^6 , this is a new transverse state. The microscopic picture of the bound state of this transverse 6-brane with D0-branes is hard to come about too. Again, the desired energy relation can be proved by invoking T-duality along the longitudinal direction as well as along 6 directions in T^7 . This combined operation yields a D-string and N fundamental strings wrapped around X_{11} , and is the same configuration we used to argue for the bound states of D0-branes and a transverse fivebrane. Since a T-duality along the longitudinal direction is involved, this makes it difficult to construct this bound state in matrix theory.

5.2. The Hamiltonian

The action of N D0-branes, extrapolated to large R (thus strong IIA coupling) regime, is an action of 9 bosonic Hermitian matrices X^i and 16 fermionic Hermitian matrices θ_α , supplemented by a Hermitian gauge field A_0 . The role of A_0 is to impose the $U(N)$ gauge invariance, and is also crucial for the existence of supersymmetry [47,48],

$$S = \frac{1}{2R} \int dt \text{tr} \left((D_t X^i)^2 + \frac{R^2}{l_p^6} [X^i, X^j]^2 + i\theta D_t \theta - \frac{R}{l_p^3} \theta \gamma_i [X^i, \theta] \right), \quad (5.2)$$

where $D_i = \partial_t + i[A_0, \cdot]$. The role of θ is to generate a short representation of super Poincare algebra. In the $U(1)$ case, there is a single D0-brane, θ upon quantization forms

a 16 dimensional Clifford algebra, therefore a spinor representation of this algebra has dimension $2^8 = 256$, the one required of a graviton supermultiplet of 11D $\mathcal{N} = 1$ super Poincare algebra.

The Hamiltonian of the system reads, in the gauge $A_0 = 0$,

$$H = \frac{R}{2} \text{tr} \left(P_i^2 - \frac{1}{l_p^6} [X^i, X^j]^2 + \frac{1}{R l_p^3} \theta \gamma_i [X^i \theta] \right). \quad (5.3)$$

The 32 supercharges have quite different representation in this system. 16 of them are “dynamical”, that is, the variables transform nontrivially, such as $\delta X^i = \bar{\epsilon} \gamma^i \theta$. Their anti-commutators yield the Hamiltonian. The other 16 supercharges are realized nonlinearly, $\delta \theta = \eta$, $\delta X^i = 0$. This is in accord with the fact that these supercharges are broken by the presence of D0-branes, and θ 's are Goldstinos of this symmetry breaking. These supercharges generate the short multiplet of the super Poincare algebra. As such, their anti-commutators yield P_{11} , the longitudinal momentum, since this quantity is preserved by a given short multiplet. To summarize, we have the following relations

$$\begin{aligned} \{Q_\alpha, Q_\beta\} &= \delta_{\alpha\beta} H, \\ \{q_\alpha, q_\beta\} &= \delta_{\alpha,\beta} P_{11}, \\ \{q_\alpha, Q_\beta\} &= \gamma_{\alpha\beta}^i P_i. \end{aligned} \quad (5.4)$$

The bosonic part of the super Poincare algebra consists of the time evolution generator H , the boost generator P_{11} , 9D translation generators P_i , the 9D rotation generators J_{ij} , and the transverse boosts K_i . K_i and P_{11} are those generators hidden in the quantum mechanical system. The proof of symmetry generated by these operators will be absolutely important for viability of matrix theory.

The first check that matrix theory indeed is a sensible theory of gravity comes from the cluster decomposition property. For a fixed N , decompose $N \times N$ matrices into $N_1 \times N_1$ and $N_2 \times N_2$ blocks, where $N = N_1 + N_2$. Each block describes a subsystem. If the separation $1/N_1 \text{tr} X_1^i - 1/N_2 \text{tr} X_2^i$ is large enough, the off-diagonal blocks are heavy and must be integrated out. This results in interaction between the two subsystem. The cluster decomposition requires that the interaction tends to zero as the separation is increased. This property can be checked by a direct calculation. It is important to have SUSY to have this property. Note that if, say, there are only bosons, at the one loop level the massive off-diagonal part is just a bunch of harmonic oscillators. The interaction energy is just the ground state energy of oscillators and it diverges lineally in distance. It remains a deep mystery why spacetime properties such as cluster decomposition is tied up with SUSY.

The interaction between two supergravitons with unit longitudinal momentum is the dimensionally reduced form of Newton potential [48]

$$V = cl_p^9 \frac{|v_1 - v_2|^4}{R^3 |r_1 - r_2|^7}. \quad (5.5)$$

Again a direct calculation shows indeed this is a result of the matrix Hamiltonian. Here it is worthwhile to mention in the IIA string context, the one-loop open string calculation gives the same result for the term v^4 for both small separation and large separation. This is basically due to some non-renormalization theorem [49].

If the one-loop calculation did not yield the desired potential for two D0-branes, this would not fail matrix theory. Matrix theory conjectures that the correct physics is to be reproduced only in the large N limit. It is still an open problem whether this is true of the interaction between two large N threshold bound states, since the wave functions are important for an actual calculation.

There is a curious generalized conformal symmetry in the D0-brane dynamics [50]. It will be very interesting to explore consequences of this symmetry. It is plausible that this symmetry together with supersymmetry actually dictates all known results obtained in the loop calculations, and implies much further results. Also, there seems to be a link between this and 11 dimensional Lorentz boost invariance.

There is evidence for holography, one of the main motivations for the matrix theory proposal, in a dynamic regime of a D0-brane gas. We will postpone discussing this to the black hole section.

5.3. Toroidal compactifications

We argued in subsection 5.1 that matrix theory in principle works for compactification on a torus, provided its dimension is not too large. We are yet to see how the details work out. Indeed, proceeding in the exact the same fashion as in the first subsection, we will be able to work out the matrix Hamiltonian on various tori.

1. S^1

We argued before that the correct light-cone energy for a membrane wrapped around S^1 , parameterized by X^9 , and around the longitudinal direction, is a result of formally doing T-duality along X^9 . D0-branes partons now become D-string partons. The length of an individual D-string is the size of the dual circle, $\Sigma_9 = l_s^2/R_9 = l_p^3/(RR_9)$. This is really a tiny size when R is very large. This is a prerequisite that these D-strings are partons and un-observable.

The quantum mechanics of these D-strings is given by the $\mathcal{N} = 8, 1 + 1$ dimensional SYM on the tiny circle of size Σ_9 . There is a way to derive this 1+1 dimensional theory from the 0 + 1 quantum mechanics formally. Imagine that compactification of X^9 is effectively achieved by arranging infinitely many images for each D0-brane, that is, start with the quantum mechanics on the covering space of S^1 . Thus, the rank of gauge group is $N \times \infty$, where ∞ is the number of images. There will be a new open string sector coming from open strings stretched between a D0-brane and any image of another D0-brane, see fig.4. Identifying images is achieved by the following periodic conditions

$$\begin{aligned} UX^9U^{-1} &= X^9 + 2\pi R_9, \\ UX^iU^{-1} &= X^i, i = 1, \dots, 8, \\ U\theta^\alpha U^{-1} &= \theta^\alpha. \end{aligned} \tag{5.6}$$

where U is a gauge transformation. A solution is achieved by the ansatz

$$X^9 = i\partial_\sigma I_N - A(\sigma), \quad X^i = X^i(\sigma), \tag{5.7}$$

and $U = \exp(i2\pi R_9\sigma)$. A , X^i and θ^α are $N \times N$ matrices. Note that the period of σ is $1/R_9$.

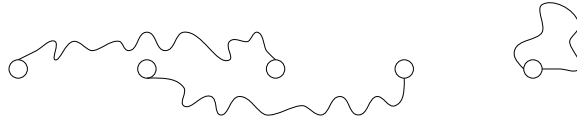


Figure 4. *a periodic array of D0-branes and open strings stretched between them .*

The 1 + 1 SYM thus obtained has a coupling constant $g_{YM}^2 = R^2/(R_9 l_p^3)$. If we rescale the tiny circle of radius Σ_9 to have the standard period 2π , the theory is governed by SYM with dimensionless coupling $g_{YM}^2 \Sigma_9^2 = l_p^3/R_9^3$. Since the theory on a small R_9 is a weakly coupled IIA string theory, its string coupling is $g_s^2 = R_9^3/l_p^3$, we see that the effective YM coupling is proportional to $1/g_s^2$. That is, for a weakly coupling IIA string, the YM coupling is strong.

Now it is easy to see how a D0-brane arises as a momentum mode in X^9 . X^9 gets replaced by the gauge field A , and its conjugate momentum is just $E = \partial_t A$. A constant E configuration represents a D0-brane in the X^9 direction.

A IIA string is interpreted as a long string, composed of many small D-string partons. For small g_s , g_{YM} is large, and the commutator $\text{tr}[X^i, X^j]^2$ in the SYM action is weighted

by g_{YM}^2 . To suppress this contribution, all X^i must be mutually commuting. The residual gauge symmetry is the Weyl group S_N of $U(N)$. The boundary condition for 8 scalars $X^i(\sigma)$ can be twisted by this group. For instance, $X_a^i(\sigma + 2\pi) = X_{a+1}^i(\sigma)$. Thus many tiny D-strings are sewed together to form a long string, fig.5. It is not hard to see that the 1 + 1 theory is capable of describing multi-string states. Namely, we have a second quantized string theory in the light-cone gauge.

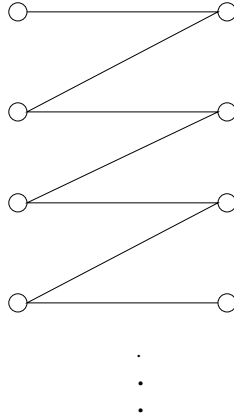


Figure 5. *A long string in the twisted sector .*

2. T^2

The new transverse state is a wrapped membrane on T^2 . Following the argument in subsection 5.1, we do T-duality along X_9 and obtain from N D0-branes N D-strings. The transverse membrane becomes a D-string wrapped around X_8 w times. The ground state of this system is a long D-string wrapped around a diagonal direction. This configuration can be obtained from N D-strings as follows. First we adjoin all N D-string to form a single long D-string wrapped on \tilde{X}_9 . This is achieved by switching on a particular holonomy

$$e^{i2\pi\tilde{R}_9 A_9} = U$$

where U is the t' Hooft circulation matrix $U_{ij} = \delta_{i,j-1}$. To wrap this long D-string also in the X_8 direction, we need to switch on the expectation value for the displacement X_8 . Obviously, the answer is

$$X_8 = \frac{wR_8}{N}\sigma 1_N + R_8 w q$$

where the diagonal matrix q has eigen-values $2\pi k/N$, $k = 0, 1, \dots, N - 1$.

If we postulate that the matrix theory on T^2 is the low energy theory of D2-branes on \tilde{T}^2 , then both X_8 and X_9 are related to gauge field components, A_8 and A_9 . The above

excitation get interpreted in the 2 + 1 SYM as a toron solution with $F \sim [X_8, X_9] \sim 1_N$. It is easy to check that the $\text{tr}[X_8, X_9]^2$ term gives the correct light cone energy of the boosted membrane.

3. T^3

Here an interesting phenomenon occurs. The U-duality group is $SL(3, Z) \times SL(2, Z)$. The first factor is realized by the geometric symmetry of T^3 , and the second factor comes about a little more nontrivially. As before if we postulate that the matrix model is the world-volume theory of tiny D3-branes, the T-dual of D0-brane partons, then the natural explanation of the second factor is the S-duality group of the 3 + 1 $\mathcal{N} = 4$ SYM.

What is meaning of $SL(2, Z)$ group in M theory? Apparently it has nothing to do with S-duality of string theory, as in the case of compactification on T^2 , this is contained in $SL(3, Z)$. M theory on T^3 is a IIA theory on T^2 , if we decompose $T^3 = S^1 \times T^2$. The T-duality along both directions of T^2 yields another IIA theory, and this IIA theory has different moduli. The whole T-duality group of T^2 is $O(2, 2, Z) = SL(2, Z)_T \times SL(2, Z)_U$. The first factor acts on the complex structure moduli of T^2 , therefore is part of the geometric symmetry $SL(3, Z)$. The second factor acts on a combination of the B field and the Kahler moduli of T^2 .

What we shall see here is that the "diagonal" of the S-generators of the above two $SL(2, Z)$'s corresponds to the SYM S-duality generator. This diagonal is just the T-duality transformation along both directions of T^2 . Let the radii of the original T^2 be R_i , $i = 2, 3$. The new radii of the T-dual \tilde{T}^2 are $R'_i = l_p^3 / (R_1 R_i)$, where R_1 is the radius of the M circle S^1 .

Initially, the matrix model is a large N SYM on the three torus of radii $\Sigma_i = l_p^3 / (R R_i)$, and the gauge coupling $g_{YM}^2 = l_p^3 / (R_1 R_2 R_3)$. Assume that the new matrix model can be obtained by starting with another M theory with Planck length L_p , and infrared cut-off R' . The new matrix model is a matrix model defined on a three torus of parameters Σ_1 , $\Sigma'_2 = L_p^3 / (R' R'_2) = (L_p / l_p)^3 R_1 R_2 / R'$ and $\Sigma'_3 = (L_p / l_p)^3 R_1 R_3 / R'$. Since these are three scales in the theory, they must be equal to the original Σ 's up to a permutation. A little inspection shows that this is possible only when $\Sigma'_2 = \Sigma_3$, $\Sigma'_3 = \Sigma_2$. This yields the condition

$$\left(\frac{L_p^3}{R'}\right)\left(\frac{R}{l_p^3}\right) = \frac{l_p^3}{R_1 R_2 R_3} = g_{YM}^2. \quad (5.8)$$

We now show that $R' = R$. There are two more conditions: The string scale is invariant under T-duality, so $L_p^3 / R'_1 = l_p^3 / R_1$; Further, $\Sigma_1 = L_p^3 / (R' R'_1) = l_p^3 / (R R_1)$.

These two conditions are compatible if $R' = R$. The new YM coupling is given by $(g'_{YM})^2 = L_p^3 / (R'_1 R'_2 R'_3) = g_{YM}^{-2}$. We see that this is S-duality of the SYM. Furthermore, the only one free parameter L_p is determined by relation which now becomes

$$\frac{L_p^3}{l_p^3} = g_{YM}^2. \quad (5.9)$$

It can be further checked that the string couplings in the two IIA theories are related by the usual T-duality relation. This is quite nontrivial. The fact that the T-duality is valid in matrix theory provides a check of the validity of this theory.

4. T^4

Following the logic of compactification on T^d , $d \leq 3$, we would say that the matrix theory on T^4 is the 4 + 1 SYM theory on the dual torus with radii $\Sigma_i = l_p^3 / (R L_i)$. This is correct in the low energy limit, when the energy scale is smaller than the light-cone energy of the longitudinal fivebrane, which is $1/g_{YM}^2 = 1/\Sigma$, where

$$\Sigma = \frac{l_p^6}{R \prod L_i}.$$

In the special dimension 4, the Yang-Mills coupling has a length dimension. What does this length represent? In the D-brane physics, this scale is nothing but the relevant string coupling constant multiplied by the string length scale l_s , that is $g_{YM}^2 = g_s l_s$. This is nothing but the radius of the new M theory circle. If we take l_s as the one obtained from the original M theory, namely $l_s^2 = l_p^3 / R$, then g_s is finite for the finite cut-off R . The 4 + 1 SYM is not renormalizable, therefore to regulate the theory we would have to take the whole string theory. This is not in the spirit of matrix theory.

However, we want a well-defined theory which in the low energy limit approaches the SYM with the fixed Yang-Mills coupling constant. This is readily obtained by wrapping fivebranes around an M circle with radius Σ in an M theory. Since only $\Sigma = R_{11}$ is fixed, we can take, for example, $L_p \rightarrow 0$. The supergravity decouples in this limit. This is the limit suggested by Berkooz, Rozali and Seiberg. In this limit, they argued, the theory is a (2,0) superconformal theory on the wrapped 5-branes. The reason is that the separation between fivebranes tends to zero as $L_p \rightarrow 0$.

Longitudinal fivebranes in the original M theory have a simple explanation in this matrix model. They are just momentum modes in the new direction Σ . The U-duality group of M theory on T^4 is $SL(5, Z)$, and is naturally interpreted as the geometric symmetry group of the new 5 torus.

5. T^5

Here we have a new transverse state again given by a boosted transverse fivebrane. Treating X_{11} as the M circle, there are a few ways to proceed to construct the boosted fivebrane. One of these we already described in 5.1. Another way is similar to that given by Seiberg. T-dualing over T^5 , we obtain N D5-branes over \tilde{T}^5 from D0-branes. The transverse five-brane gets interpreted as a NS five-brane. Its T-dual again is an NS fivebrane. Now we need to do S-duality in the IIB theory, we obtain a world-volume theory of N NS fivebranes. And the transverse fivebrane gets mapped to a D5-brane. The boosted transverse fivebrane is then the bound state of N NS fivebrane and a D5-brane. This picture as well as the one given in 5.1 gives the correct formula for the light-cone energy, it is not the matrix theory on T^5 . The reason is that the NS fivebrane world-volume theory thus obtained is not decoupled from the corresponding string theory.

We must take the lesson learned with compactification on T^4 seriously. When one of the five circles, say, L_5 is large, we should get back to the theory on T^4 . There the theory is a (0,2) superconformal theory on a five torus with radii $\Sigma_i = l_p^3/(RL_i)$ and $\Sigma = l_p^6/(R \prod L_i)$. Adding a new circle amounts to adding a new transverse circle to fivebranes already wrapped on a 5 torus. No we run into some trouble, if we simply take the limit $L_p \rightarrow 0$. This is simply because the new dimension, if the previous decoupling argument is correct, is not felt by those fivebranes in this limit. A resolution of this paradox is to add a vanishing circle of radius R_{11} , as proposed by Seiberg, with a fixed string length scale

$$l_s^2 = \frac{l_p^9}{R^2 \prod_{i=1}^5 L_i}.$$

Since $l_s^2 = L_p^3/R_{11}$, we see that $L_p \rightarrow 0$ as $R_{11} \rightarrow 0$. We now have IIA fivebranes wrapped on Σ_i and Σ with a vanishing string coupling constant. Seiberg argued that this theory decouples from the bulk string theory. There is a problem with this decoupling argument pointed out by Maldacena and Strominger which we shall not run into here.

The length scale of the new circle L_5 is encoded in l_s^2 . The problem here is that we are treating L_i $i = 1, \dots, 4$ and L_5 on different footing. Is there a symmetry among all five circles? The answer is certainly yes. Note that there is still $SO(5, 5, Z)$ T-duality that is inhered from the IIA string theory. A special T-duality is the one along Σ . The dual radius in the IIB theory is given by $\tilde{\Sigma} = \Sigma_5 = l_s^2/\Sigma = l_p^3/(RL_5)$. We thus see that indeed in this IIB description all five circles are on the same footing. This is how the formula for l_s^2 was postulated in the first place.

The gauge coupling constant on the IIB NS fivebranes is given by l_s^2 . With l_s^2 as given above, this indeed agrees with the gauge coupling on the D5-branes on \tilde{T}^5 . Our picture however is slightly different from the one obtained by the naive T-duality on T^5 , since the string coupling in this naive IIB theory is always finite. After making S-duality to map the D5-branes to NS fivebranes, the string coupling is still finite.

In a IIB theory with string coupling g_s , the tension of the NS fivebrane is

$$T_{NS} = \frac{1}{(2\pi g_s)^2 (2\pi\alpha')^3},$$

and the tension of the D5-brane is

$$g_s T_{NS}.$$

Let $V_5 = \prod_{i=1}^5 \Sigma_i$. The binding energy of the bound state of N NS fivebrane and a D5-brane is

$$V_5[(N^2 T_{NS}^2 + g_s^2 T_{NS}^2)^{1/2} - N T_{NS}] = \frac{1}{2N/R} \left(\frac{\prod_i L_i}{l_p^6} \right)^2$$

indeed agrees with the light-cone of the boosted transverse fivebrane.

The problem here is that unlike in the usual case with finite N, there is no correction to the light-cone energy. Also note that $N T_{NS} V_5$ has nothing to do with the longitudinal momentum of N partons. The longitudinal momentum is always finite for finite N. While the energy of N NS fivebranes diverges in the limit $g_s \rightarrow 0$.

6. T^6

As we discussed in subsection 5.1, T^6 is where the first obvious decoupling problem appears. Again in the low energy limit, the theory should be a 6 + 1 dimensional SYM on \tilde{T}^6 of radii Σ_i . The gauge coupling constant is given by

$$g_{YM}^2 = \frac{l_p^{12}}{R^3 \prod L_i}$$

Again we postulate that the D6-branes are the ones obtained from an M theory with Planck length L_p and M radius R_{11} . The gauge coupling is given by L_p^3 . Since only this constant and the size of \tilde{T}^6 are fixed, we are free to adjust R_{11} .

If we adopt the matrix theory proposal of Seiberg on T^5 , then the free parameter is fixed. Picking out Σ_6 from \tilde{T}^6 , we postulate that the matrix model reduces to the one on \tilde{T}^5 when Σ_6 shrinks to zero. In such a case we have D5-branes on \tilde{T}^5 . The string coupling constant diverges, since the string coupling constant on the S-dual NS fivebranes vanishes. This implies that R_{11} diverges [51]. More precisely, the string coupling on D5-branes is $g_s = R_{11}/\Sigma_6$.

6. Quantum properties of black holes realized in M theory

Black holes present much enigma about issues in generalized thermodynamics including gravitation and quantum gravity. Many of features are universal, regardless what is the underlying microscopic theory. For instance, with quite weak conditions, it can be shown that a gravitationally collapsing system forming an event horizon will eventually develop singularities in spacetime, thus physical laws without gravity break down there. The strength of gravity becomes order 1 there, thus the usual semi-classical gravity picture is not reliable and a quantum theory is a necessity.

The geometric entropy, first proposed by Bekenstein, is another universal property of black holes [52]. Independent of spacetime dimensionality and the type of the black hole, the entropy is proportional to the area of horizon. Classically, to a distant observer, a black hole can carry a few conserved charges, in addition to its mass and angular momentum, therefore the enormous amount of entropy is inaccessible at the semiclassical level for most of time. However, a black hole is not an absolutely stable state, it radiates all kinds of particles, first discovered by Hawking. This poses the well-known information problem, since most of time the Hawking radiation can be treated semiclassically, and no correlation between the particles radiated and the lump of mass forming the black hole in the first place can be distangled in Hawking's calculation.

For many particle physicists, in particular string theorists, a perfect quantum evolution process must be involved in gravitational collapse and black hole evaporation. It has been argued that the theory of quantum gravity is so unusual that for an outside observer, the semiclassical treatment breaks down near the horizon, although to a geometer there is nothing unusual there for a large black hole. If string theory, and more recently M theory or matrix theory is the correct theory of quantum gravity, such a scenario must work out. Even when this is the case, some people might argue that this is just a consistency check, not necessarily implies that M theory is the only theory that is consistent with quantum properties of black holes. But, as we shall see, what a consistency check it is.

6.1. *D-brane black holes and matrix black holes*

D-brane technology is most powerful when dealing with a BPS black hole. It can be proven that in order to construct a black hole with a nonvanishing horizon area from a BPS state, there must be at least three different charges carried by the black hole. By different we mean that there exists no duality transformation to reduce them into fewer

charges. The first example was constructed by Strominger and Vafa [53]. This is a 5 dimensional black hole carrying electric and magnetic charge of a R-R field and a KK charge. Starting with IIB theory and compactifying it on T^5 , there is an abelian gauge field $C_{a\mu}^{(2)}$ resulting from $C^{(2)}$. A wrapped D-string along X^a carries its electric charge. Another abelian gauge field, $C_{1,\dots,5,\mu}^{(6)}$ results from the dual of $C^{(2)}$. A D5-brane wrapped around T^5 carries its electric charge. Apparently, the two SUSY conditions $\epsilon = \gamma^{0a}\tilde{\epsilon}$ and $\epsilon = \gamma^{01\dots 5}\tilde{\epsilon}$ are compatible if a is one of $1, \dots, 5$. That is, the bound state of N_5 D5-branes wrapped around T^5 and N_1 D-strings wrapped around a circle of T^5 is a BPS state. Take $a = 1$.

We need one more charge to construct a black hole. This is achieved by adding momentum modes along X^1 , namely along the D-string direction. This introduces a further constraint on unbroken SUSY $\epsilon = \gamma^{01}\epsilon$, $\tilde{\epsilon} = \gamma^{01}\tilde{\epsilon}$. This means that both ϵ and $\tilde{\epsilon}$ are positive eigenstates of γ^{01} . Combined with the D-string constraint, $\epsilon = \tilde{\epsilon}$. Thus there are 8 unbroken super-charges. Finally the D5-brane constraint eliminates half of them. The BPS black hole preserves 4 super-charges.

To see that this is a black hole, we need the metric.

$$\begin{aligned} ds^2 &= (H_1 H_5)^{-1/2} (-dt^2 + dX_1^2 + (H_p - 1)(dt - dX_1)^2) + H_1^{1/2} H_5^{-1/2} (dX_2^2 + \dots + dX_5^2) \\ &\quad + (H_1 H_5)^{1/2} (dr^2 + r^2 d\Omega_3^2), \\ e^{2\phi} &= g^2 H_1 H_5^{-1}, \end{aligned} \tag{6.1}$$

where H_i are harmonic functions in 5 dimensions, $H_i = 1 + r_i^2/r^2$, where the parameter r_i^2 is proportional to the corresponding charge. And the R-R fields

$$C_{01}^{(2)} = \frac{1}{2}(H_1^{-1} - 1), \quad F_{ijk} = \frac{1}{2}\epsilon_{ijkl}\partial_l H_5, \tag{6.2}$$

where i, j, k, l are indices tangent to the 4 open spatial dimensions. Let $(2\pi)^4 V$ denote the volume of T^4 orthogonal to the D-strings, and R_1 the radius of X^1 . It is easy to see that

$$r_1^2 = \frac{gN_1}{V}, \quad r_5^2 = gN_5, \quad r_p^2 = \frac{g^2 N_p}{R_1^2 V}, \tag{6.3}$$

where the momentum along X^1 is N_p/R_1 . We have set $2\pi\alpha' = 1$. For fixed V and R_1 , we see that all sizes r_i become macroscopically large when $gN_1 \gg 1$, $gN_5 \gg 1$, and $g^2 N_p \gg 1$. We call this region of the parameters the black hole phase.

When reduced to 5D, the Einstein metric reads

$$ds^2 = -(H_1 H_5 H_p)^{-2/3} dt^2 + (H_1 H_5 H_p)^{1/3} (dr^2 + r^2 d\Omega_3^2). \tag{6.4}$$

From the component G_{00} we see that $r = 0$ is the horizon, since the red-shift factor becomes infinity at this point. The Bekenstein entropy is easy to calculate, either by using the 8 dimensional horizon if the hole is treated as living in 10 dimensions, or by using the 3 dimensional horizon when it is treated as living in 5 dimensions. It is relatively simpler to use the 5D metric. The horizon area is given by $2\pi^2[r^2(H_1H_5H_p)^{1/3}]^{3/2}$ when the limit $r \rightarrow 0$ is taken. Thus $A_3 = 2\pi^2r_1r_5r_p$, and $r = 0$ is not a point. The 5D Newton constant is $G_5 = g^2/(4VR_1)$, so the entropy is

$$S = \frac{A_3}{4G_5} = 2\pi\sqrt{N_1N_5N_p}, \quad (6.5)$$

a nice formula.

It can be shown that all 5 dimensional black holes preserving 1/8 of supersymmetry can be rotated into above black hole using U-duality, here the U-duality group is E_6 . If one can count the entropy microscopically for one of them, then others must have a microscopic origin too on the count of U-duality. For instance, a 5D black hole in IIA theory is obtained by performing T-duality along X^1 . The hole is built with D4-branes, D0-branes bound to them, and string winding modes around the dual of X^1 . Now this has a simple M theory interpretation, the D4-branes get interpreted as fivebranes wrapped around the M circle, winding strings get interpreted as membranes wrapped around the M circle, and D0-branes are M momentum modes. Thus, the hole is built using fivebranes intersecting membranes along a circle with momentum modes running along this circle.

Come back to the IIB 5D black hole. The simplest account of the microscopic picture goes as follows. The D-strings are bound to D5-branes, and they live on the Higgs branch in the weak string coupling limit, thus can oscillate only in the 4 directions along D5-branes. If the size of V is much smaller than R_1 , the oscillation is effectively described by a 1+1 conformal field theory. The fluctuations correspond to wiggling of the open strings stretched between D5-branes and D-strings, thus there are $4N_1N_5$ such bosons. Due to supersymmetry, there are also the same number of fermions. The theory is therefore a conformal field theory with central charge $6N_1N_5$. Since in a CFT a fluctuation is either left-moving or right-moving, and we restrict our attention to BPS states, there are only right-moving modes which contribute to the total momentum N_p/R_1 . Thus, N_p is the oscillator number. We are therefore interested in the coefficient of q^{N_p} in the expansion of the following partition function

$$Z = \left(\prod_{n=1}^{\infty} \frac{1+q^n}{1-q^n} \right)^{4N_1N_5}, \quad (6.6)$$

and it is given, after a saddle point calculation, by $\exp(2\pi\sqrt{N_1 N_2 N_p})$, that is, the entropy agrees exactly with (6.5).

There is subtlety involved in the above calculation, makes it invalid for large N_1 and N_5 . A cure of this problem is provided by the fractionation mechanism, whose details we will not run into here.

D-brane physics provides for the first time ever a microscopic account of Bekenstein entropy. Even more surprisingly, further calculations show that the usual string amplitudes associated to open strings colliding and combining into a closed string state reproduce the Hawking radiation, and the greybody factor which takes the black hole geometry into account [54].

As we already explained, the natural realization of the 5D black hole in M theory is the intersection of fivebranes and membranes along the M circle with momentum running along this circle. This in turn gets interpreted in matrix theory. It is a 6 dimensional black string stretched along the longitudinal direction. Here the matrix theory is described by a $5 + 1$ dimensional SYM in low energy limit, the rank of gauge group is just the number of D0-branes. Longitudinal fivebrane appears as an instanton solution in a $4 + 1$ SYM theory, thus appears as an instanton string in the $5 + 1$ SYM theory in question [55]. Longitudinal membranes are translated into momentum modes in SYM, which in turned can be carried by the instanton string. For entropical reason, the string would like to form a single long string. To break supersymmetry, one can even add anti-fivebrane, or anti-instanton strings here. These are realized by a long string that sometimes goes backward. One can also add anti-membranes, or anti-momentum modes. Finally, the black hole is represented as a single oscillating Hagedorn string, as indicated in the following diagram

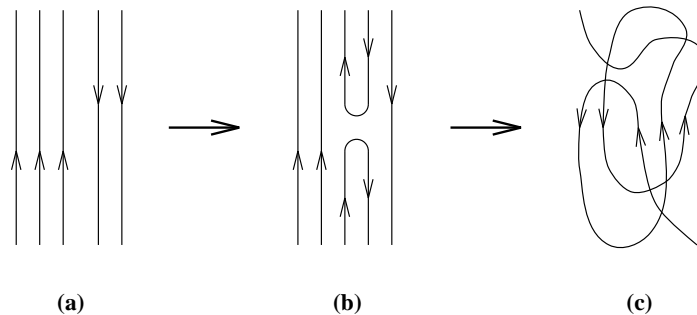


Figure 6. Maldacena's picture of the gas of 'instanton strings'. Through repeated joining/splitting interactions, the energy is collected into the entropically preferred state – one large string.

The total ADM energy of the system is

$$l_p E_{ADM} = N \frac{l_p}{R} + (N_2 + N_{\bar{2}}) \frac{RR_5}{l_p^2} + (N_5 + N_{\bar{5}}) \frac{RV}{l_p^5}. \quad (6.7)$$

The energy of the system not carried by zero-branes is available to the string, since the IMF energy equals

$$E_{LC} = p_+ = E_{ADM} - \frac{N}{R}. \quad (6.8)$$

Note also that this energy is the Hamiltonian of the 5+1 gauge theory. The energy available to oscillators of the instanton string is reduced by the constraint that the black hole carry net two-brane and five-brane charge, which are carried on the string as momentum $l_p P = (N_2 - N_{\bar{2}}) \frac{RR_5}{l_p^2}$ and winding $l_p W = (N_5 - N_{\bar{5}}) \frac{RV}{l_p^5}$. Meanwhile, we treat the instanton string as noninteracting. Then the left and right excitation numbers are

$$\begin{aligned} n_{L,R} &= \alpha'_{eff} [E_{LC}^2 - (P \pm W)^2] \\ &= \frac{\alpha'_{eff}}{l_p^2} \left[\frac{VRR_5}{4l_p^8} r_0^2 \right]^2 [(\cosh^2 \sigma + \cosh^2 \gamma)^2 - (\sinh^2 \sigma \pm \sinh^2 \gamma)^2] \\ &= \frac{\alpha'_{eff}}{l_p^2} \left[\frac{VRR_5}{4l_p^8} r_0^2 \right]^2 4 \cosh^2(\sigma \mp \gamma). \end{aligned} \quad (6.9)$$

The entropy is now evaluated as

$$\begin{aligned} S &= 2\pi \left[\sqrt{\frac{1}{6} c_{\text{eff}} n_L} + \sqrt{\frac{1}{6} c_{\text{eff}} n_R} \right] \\ &= 2\pi \left[\frac{\alpha'_{eff}}{l_p^2} \cdot \frac{V R_5 R^2}{l_p^7} \right]^{1/2} (\sqrt{N_2} + \sqrt{N_{\bar{2}}}) (\sqrt{N_5} + \sqrt{N_{\bar{5}}}). \end{aligned} \quad (6.10)$$

One must have $\alpha'_{eff} = \frac{N l_p^9}{V R_5 R^2}$ to match the entropy. Naturally, the energy per unit length of an instanton string in 5 + 1 gauge theory is

$$T_{\text{eff}} = \frac{4\pi^2}{g_{YM}^2 N} = \frac{V R_5 R^2}{2\pi N l_p^9} \quad (6.11)$$

(the $1/N$ arises from the charge fractionalization mentioned above). Then with the standard relation $T_{eff} = (2\pi \alpha'_{eff})^{-1}$, the Hagedorn gas of instanton strings precisely accounts for the Bekenstein-Hawking entropy. The combination $g_{YM}^2 N$ appearing in (6.11) suggests that conventional large- N techniques might be useful for the study of the instanton string gas. It is important to note that the factors in the entropy cannot be ascribed to particular branes/antibranes; everything gets mixed up in the ‘plasma’ of light excitations, as we see from figure 1. Another important feature is that the tension (6.11) is finite in the limit $N, R \rightarrow \infty$, N/R^2 fixed that characterizes the large N limit with fixed longitudinal momentum density and fixed entropy per unit length.

6.2. Matrix Schwarzschild black holes

The most common black holes, the Schwarzschild black holes which may exist in nature, have resisted understanding even in the D-brane context. The difficulty in using D-brane technology to deal with a neutral black hole stems from the fact that one needs both branes and anti-branes in order to keep the object neutral. To have a macroscopic black hole, an appropriate combination of string coupling and the number of branes must be large. There is no known world-volume theory which describes both branes and anti-branes, leaving alone the strong coupling problem.

Matrix theory provides a unique opportunity to understand quantum properties of Schwarzschild black holes [56,57]. By boosting a hole with an extremely large longitudinal momentum, one effectively puts the hole against a background of a large number of D0-branes which are BPS states. We already saw the advantage of this scheme in the last subsection when we dealt with the 6D black string, there one can include both fivebranes and anti-fivebranes, membranes and anti-membranes. Here we shall show that matrix theory in principle can be used to deal with neutral black holes in dimensions higher than 4.

The first observation, due to Banks et al., is that for a finite longitudinal cut-off R and a black hole of radius $r_s > R$, it is necessary to boost the hole in order to fit it into the asymptotic box size R . Asymptotically, one can apply the Lorentz contraction formula $r_s e^{-\alpha}$, where α is the rapidity parameter, roughly equal to M/P_{11} . The minimal boost is determined by $r_s e^{-\alpha} = R$, or $P_{11} = r_s M/R$. In matrix theory, $P_{11} = N/R$, where N is the number of partons. The above formula says that $N = r_s M \sim S$, where S is the entropy of the hole. This condition then says that the minimal number of partons required to account for entropy S is just S , a physically appealing claim.

Geometrically, one might wonder how the Lorentz contraction could happen to a horizon, since by definition horizon is a null surface which is independent of the coordinates used. Indeed it can be shown that in the boosted frame, the size of horizon remains the same. What the boost does to the black hole is to change the relation between the size of the horizon and the asymptotic radius of the longitudinal direction, if the hole is put on a periodic circle. It can be shown that for the horizon size to be r_s while the asymptotic box size to be R , the hole must carry a minimal momentum as determined naively in the last paragraph.

Another point we want to emphasize here is that when the size of the hole fits the

box size, it looks more like a black string. Indeed, a black string becomes unstable at the special point $N \sim S$. Since the horizon area of the black hole of the same size and same momentum is greater than that of the black string when one slightly increases the momentum, the black string will collapse to a black hole.

We will be able to explain the size of the hole and its entropy only up to a numerical coefficient, thus whenever we write down a formula that is valid only up to a numerical coefficient. In D dimensional spacetime, the size of the Schwarzschild black hole and its entropy, written in terms of the mass are given by

$$r_s^{D-3} = G_D M, \quad S = \frac{r_s^{D-2}}{G_D} = G_D^{\frac{1}{D-3}} M^{\frac{D-2}{D-3}}. \quad (6.12)$$

At the special kinetic point $N \sim S$, we use the second relation in (6.12) to solve M in terms of N :

$$M = G_D^{-\frac{1}{D-2}} N^{\frac{D-3}{D-2}},$$

thus the light-cone energy

$$E_{LC} = R G_D^{-\frac{2}{D-2}} N^{\frac{D-4}{D-2}}, \quad (6.13)$$

and the size of the hole

$$r_s = (G_D N)^{\frac{1}{D-2}}. \quad (6.14)$$

As we argued before, the boosted black hole at the transition point $N \sim S$ can be either regarded as a black string, if the longitudinal momentum is slightly smaller than the critical value, or a black hole if the longitudinal momentum is slightly larger. In the former case, one needs to excite longitudinal objects such as longitudinally wrapped membrane in matrix theory, thus the momentum modes in the low energy nonabelian field theory are relevant. Actually the hole phase is easier to account for. Only the zero modes, in other words the motion of D0-branes in the open space, are relevant.

When the Born-Oppenheimer approximation is valid, the one-loop, spin-independent potential between two D0-branes is given in [48]. The assumption that the Born-Oppenheimer approximation is valid for a black hole implies that the dominant part of the black hole is a gas of D0-branes, such that for dynamic purposes one can integrate out off-diagonal variables. In D dimensional spacetime, when M theory is compactified on a torus T^{11-D} , the analogous potential between two D0-branes can be obtained from that of (5.5) by summing over infinitely many images on the covering space of the torus:

$$L = \frac{1}{2R}(v_1^2 + v_2^2) + \frac{c_D G_D}{R^3} \frac{(v_1 - v_2)^4}{r^{D-4}}, \quad (6.15)$$

where c_D is a positive constant, G_D is the D dimensional Newton constant. Note that the above formula fails when $D \leq 4$. The potential becomes logarithmic in $D = 4$, where the transverse space is 2 dimensional. This potential is not well-defined without a cut-off.

We assume that the black hole at the transition point is a gas of partons, and that the temperature of this gas is so low that the kinetic energy is bound from zero only due to Heisenberg uncertainty principle

$$v \sim \frac{R}{r_s}, \quad (6.16)$$

where demanding the nonrelativistic limit requires that $R \ll r_s$, and indeed this is our starting point. An individual parton feels the mean field caused by the rest of the gas. The potential energy is roughly $N(G_D/R^3)(v^4/r_s^{D-4})$. Equating this to the kinetic energy by virtue of the virial theorem, we find

$$\frac{1}{2R} \left(\frac{R}{r_s}\right)^2 \sim N \frac{G_D}{R^3 r_s^{D-4}} \left(\frac{R}{r_s}\right)^4, \quad (6.17)$$

this yields

$$r_s \sim (G_D N)^{\frac{1}{D-2}},$$

the desired result.

The total light-cone energy is roughly

$$E_{LC} \sim \frac{N}{R} \left(\frac{R}{r_s}\right)^2 \sim R G_D^{-\frac{2}{D-2}} N^{\frac{D-4}{D-2}},$$

also the desired result. It remains to show that the entropy of the system is given by N . This requires that D0-brane partons in the gas are distinguishable particles, thus obey Boltzmann statistics. This is possible when certain backgrounds such as a membrane is switched on. This is a quite subtle point and we will skip it.

It turns out that the large N regime can also be understood at the semi-quantitative level, and in this case the Boltzmann statistics is easier to justify. Let us for the moment assume the relation $S = T E_{LC}$ in the large N case, here T is the temperature of the system. We will justify this relation later. In the large N limit, the hole should behave as a transverse object, thus its light-cone energy get smaller and smaller for larger and larger N . Thus the relation $S = E_{LC}/T = M^2 R/NT$ together with the Bekenstein formula results in

$$M = G_D^{\frac{1}{D-4}} (NT/R)^{\frac{D-3}{D-4}}. \quad (6.18)$$

This implies

$$r_s = (NTG_D/R)^{\frac{1}{D-4}}, \quad (6.19)$$

and

$$S = G_D^{\frac{2}{D-4}} (NT/R)^{\frac{D-2}{D-4}}. \quad (6.20)$$

Note that these relations break down for $D \leq 4$.

These two relations are not independent once we assume that the black hole is a gas of D0-branes, or a gas of clusters of D0-branes. To see this, use the virial theorem which says that the kinetic energy is the same order of the total energy

$$Nm\langle v^2 \rangle \sim TS = T(NT/R)^{\frac{D-2}{D-4}} G_D^{\frac{2}{D-4}}, \quad (6.21)$$

where $m = 1/R$ for a D0-brane. If the time scale associated to a typical velocity is related to the temperature as $1/T$, then the typical velocity scales as $v \sim Tr_s$. Substitute this into the above relation we deduce

$$r_s \sim (NTG_D/R)^{\frac{1}{D-4}},$$

the correct relation. Thus one has to determine either r_s or S .

In the first paper of refs.[57], it is suggested that some spin dependent forces are responsible for the scaling laws concerning the large N black holes. Another, more general, form of interaction is proposed in the second paper of [57] to account for these laws. There it is assumed that the black hole consists of clusters of D0-branes. Each cluster has the size N/S , therefore there are roughly S clusters. Assuming that the uncertainty relation is saturated by a cluster, namely the typical velocity of a cluster is $v \sim 1/(r_s m) = SR/(r_s N)$, then the total kinetic energy scales as

$$E_T = Smv^2 \sim \frac{N}{R} \left(\frac{SR}{r_s N} \right)^2 = \left(\frac{S}{r_s} \right)^2 \frac{R}{N}. \quad (6.22)$$

The potential energy between the two clusters assumes the form

$$G_D \frac{m_a v_a^2 m_b v_b^2}{R r_{ab}^{D-4}}$$

if the exchange of supergraviton producing the potential does not cause longitudinal momentum transfer. The above form is certainly appropriate for D0-branes, and for threshold bound states of D0-branes. Here we need to take one step further, to assume that for processes in which longitudinal momentum transfer occurs the interaction takes the more or

less the same form, then the total interaction energy of the gas is

$$\begin{aligned}
E_{pot} &\sim G_D \sum_{\delta p_+=0}^{N/(SR)} \sum_{a,b} \frac{m_a v^2 m_b v^2}{R r_s^{D-4}} \\
&\sim G_D \frac{N}{S} S^2 \frac{S^2 R}{N^2 r_s^D} \\
&\sim E_T \frac{G_D S}{r_s^{D-2}},
\end{aligned} \tag{6.23}$$

so the virial theorem implies that $S \sim r_s^{D-2}/G_D$, the Bekenstein formula.

It can be shown that contribution to the potential energy from other forms of interaction is the same order as (6.23). The fact that there are about S clusters suggests that these clusters obey Boltzmann statistics. This is easy to justify for large N , since each cluster may have some fluctuation in its longitudinal momentum. It is also possible that some background whose kinetic energy is negligible is responsible for the distinguishable clusters. In all, the relation $E \sim TS$ we appealed to above must be valid.

Although matrix theory is successfully applied to account for scaling laws of a Schwarzschild black hole, much work remains to be done. For one thing, we need to understand the exact numerical coefficients. We also need to understand the detailed process of black hole collapsing and evaporation, in order to resolve the information loss puzzle. Insights may be gained if one can reconstruct the experience of an infalling probe. All these cry for powerful large N techniques, or even some conceptual leaps.

7. M(aldacena) conjecture

Much of the above materials had been written around February this year, and since then the subject of Maldacena conjecture [58] has taken over the community. This is a conjecture concerning duality between string/M theory on an anti-de Sitter background and certain large N field theory “living at the boundary”. In the past, the brane theory was employed to explain some of the black hole physics. Since Maldacena made his conjecture, the course has been reversed. We are now learning a lot about the large N strongly coupled gauge theories using knowledge about supergravity in anti-de Sitter backgrounds.

The emergence of Maldacena conjecture reinforces the believe brought about by matrix theory, that quantum gravity is encoded in the large N super Yang-Mills theory. In a certain sense Maldacena conjecture implies matrix theory, although the precise relation in

all dynamic situations has not been clarified. Another important reason for studying this conjecture intensively is the possibility of solving the confinement problem of QCD in the large N limit, by explicitly breaking supersymmetry in the SYM.

7.1. The conjecture

Instead of discussing the whole range this conjecture covers, we consider one of the most interesting cases. This is the geometry induced by a large stack of D3-branes. The “near horizon” geometry is obtained from the D3-brane metric by throwing away the 1 in the harmonic function that enters in the solution. The metric thus reads

$$ds^2 = \alpha' \left(\frac{U^2}{\sqrt{2\lambda}} (-dt^2 + \sum dx_i^2) + \frac{\sqrt{2\lambda}}{U^2} dU^2 + \sqrt{2\lambda} d\Omega_5^2 \right), \quad (7.1)$$

where the new radial coordinate $U = r/\alpha'$ has a mass dimension, and $\lambda = 2\pi g_s N = g_{YM}^2 N$ is the 't Hooft parameter. The five coordinates (t, x_i, U) map out the five dimensional anti-de Sitter space, the other five cover S^5 of radius $R = (2\lambda)^{1/4} l_s$. The D3-brane near horizon geometry (7.1) has a global symmetry $SO(4, 2) \times SO(6)$, and this is precisely the global symmetry of the $\mathcal{N} = 4$, $D = 4$ super Yang-Mills theory.

Maldacena boldly conjectures that the full IIB string theory in the background $AdS_5 \times S^5$ is actually dual to the “boundary theory” SYM, and this conjecture was formulated more precisely in [59]. Given a field ϕ living on AdS_5 (S^5 reduced), one can find a gauge invariant operator \mathcal{O} in SYM, such that there is a coupling $\int d^4x \phi_0 \mathcal{O}$, where ϕ approaches $\phi_0 U^\Delta$ at the boundary $U = \infty$, Δ is the conformal dimension of \mathcal{O} . For a scalar field of mass m measured in $m_s = l_s^{-1}$, there is the relation

$$\Delta = 2 + (4 + m^2 \sqrt{2\lambda})^{1/2}. \quad (7.2)$$

Now the exact correspondence relation is

$$\ln \langle e^{-\int \phi_0^I \mathcal{O}_I} \rangle_{SYM} = S_{eff}(\phi^I), \quad (7.3)$$

where on L.H.S. there is the generating functional for connected correlation functions, and on the R.H.S. there is the effective action of the whole string theory on the AdS space.

There are two interesting limits to consider. The first is the classical supergravity limit, where one can ignore both the quantum gravity effects as well as massive string states. This requires the scale of the AdS be much larger than l_s and l_p . The first condition leads

to $\lambda \gg 1$, and the second leads to $N \gg 1$. In order to suppress the string loop effects, $N \gg \lambda$. Thus the classical supergravity is equivalent to the large N SYM in a strong 't Hooft coupling limit. If one is willing to include stringy effects, but ignore loop effects, then λ can be arbitrary, and $N \gg \lambda$. If Maldacena conjectures holds true in general, thus the weak coupling regime of SYM can be approached only by understanding the full classical string theory in a small AdS background. Some observations similar to these were already made in the prescient works [61]. Maldacena conjecture is so bold that for a while since it was made in [58], there had been confusion about the question as to whether the closed string sector and the open string sector are really decoupled.

The AdS/CFT correspondence has been supported by several pieces of evidence. Most of evidence concerns quantities which are not corrected quantum mechanically, for instance, the spectrum of chiral primary operators is mapped to the KK modes in IIB supergravity, and the two point and three point functions of these operators were computed [62]. Non-trivial predictions such as the rectangular Wilson loops in the strong coupling limit [63] have not been verified.

Some massless fields and their corresponding operators deserve mentioning explicitly. The massless graviton polarized in the longitudinal directions $(x_\mu) = (t, x_i)$ is coupled to the stress tensor $T_{\mu\nu}$ in SYM. The dilaton field ϕ is coupled to $\text{tr}F^2$, and the massless R-R scalar χ is coupled to the topological term $\text{tr}F \wedge F$.

One interesting step towards proving the AdS/CFT correspondence is the derivation of the ‘‘anomalous’’ conformal transformation of the AdS space in SYM [64]. The special conformal transformation in the 4D space is given by

$$\delta x^\mu = -2\epsilon \cdot x x^\mu + \epsilon^\mu x^2.$$

To have the metric (7.1) invariant, both x^μ and the radial coordinate U must transform

$$\begin{aligned} \delta x^\mu &= -2\epsilon \cdot x x^\mu + \epsilon^\mu x^2 + \epsilon^\mu \frac{2\lambda}{U^2}, \\ \delta U &= 2\epsilon \cdot x U, \end{aligned} \tag{7.4}$$

where the last term in δx^μ is ‘‘anomalous’’. The transformation of U conforms with the fact that U corresponds to the Higgs fields, thus has dimension 1. Without the last term in δx^μ , the metric $U^2 dx^\mu dx_\mu$ is invariant. The additional piece $U^{-2} dU^2$ necessitates the field-dependent term in δx^μ .

The key observation of [64] is that the conformal transformation does not commute with a gauge-fixing. In order to retain the same gauge, a special conformal transformation

must be accompanied by a field dependent gauge transformation. Switching on background Higgs field ϕ , the additional transformation of the Higgs field is computed at the one-loop level to be

$$\delta\phi = \frac{2\lambda}{U^2}\epsilon \cdot \partial\phi. \quad (7.5)$$

And this is interpreted as introducing an additional piece $2\lambda/U^2\epsilon^\mu$ into δx^μ .

7.2. The Wilson loops

The original calculation [63] of the attractive force between a pair of heavy quark and anti-quark was done with the metric (7.1). The idea is the following. A heavy quark within D3-branes is represented by an open string ending on D3-branes, with an infinite extension. This configuration is realized in the near horizon geometry by an open string extending from $U = 0$ to $U = \infty$, with a constant angle on S^5 . The latter specifies the flavor of the heavy quark. Note that as a BPS state, the heavy quark is charged not only with respect to the gauge field, it is also charged with respect to a scalar which is specified by the angle on S^5 . Now given a pair of heavy quark and an anti-quark of the same flavor, there are two stretched open string with the opposite orientations. There will be an attractive force between the two. According to the correspondence, this interaction must be reflected by the AdS bulk physics. What is more natural than the possibility of forming a single string out the two open strings by joining them in the middle of the AdS space?

Many calculations become transparent if one switches from the coordinates in (7.1) to another coordinates system:

$$ds^2 = \frac{R^2}{y^2} \left(dy^2 + \sum dx_\mu^2 \right), \quad (7.6)$$

where $R^2 = \sqrt{2\lambda\alpha'}$, and we have dropped the S^5 part. Note that the role of U now is played by y . As an exercise, we would like to calculate the rectangular Wilson loop using this coordinates system ². Unlike [63] where the Nambu-Goto action is used, we will use the Polyakov action. Let the U-shaped string extend in two spatial directions, (y, x_1) , where $y = y(x_1)$. At $y = 0$, the boundary, the two ends of the single string are separated by L . The minimal surface will be most symmetric, so we assume that $y(-x_1) = y(x_1)$. The maximum y is achieved at x_1 , denote this value by y_0 .

² This was done together with Ruud Siebelink.

The action of the U-shaped string is

$$S = \frac{\sqrt{2\lambda}}{4\pi} \int y^{-2} \partial_\alpha y^\mu \partial_\beta y_\mu g^{\alpha\beta} \sqrt{g}, \quad (7.7)$$

where $(y_\mu) = (t, y, x_1)$ are functions of the world-sheet coordinates (τ, σ) . Going to the conformal gauge yields the Virasoro constraints

$$\partial_\tau y^\mu \partial_\sigma y_\mu = 0, \quad \partial_\tau y_\mu \partial_\tau y^\mu + \partial_\sigma y_\mu \partial_\sigma y^\mu = 0, \quad (7.8)$$

which are satisfied by $t = \tau$, $\partial_\sigma y = \sin \theta$, $\partial_\sigma x_1 = \cos \theta$, where θ is a function of only σ .

Now the action of the static string reads

$$S = \frac{\sqrt{2\lambda}}{4\pi} \int y^{-2} (1 + (\partial_\sigma y)^2 + (\partial_\sigma x_1)^2),$$

with the equations of motion

$$\begin{aligned} \partial_\sigma (y^{-2} \partial_\sigma x_1) &= 0, \\ \partial_\sigma (y^{-2} \partial_\sigma y) + 2y^{-3} &= 0. \end{aligned} \quad (7.9)$$

The solution to the first equation, when combined with the solution to the Virasoro constraints, is given by $y = c^{-1} \sqrt{\cos \theta}$, $\partial_\sigma \theta = -2c \sqrt{\cos \theta}$. It is easy to check that this also solves the second equation.

The maximum of y is reached at $\theta = 0$, so $y_0 = c^{-1}$. On the other hand, y reaches the boundary at $\theta = \pm\pi/2$. It follows from $\partial_\sigma x_1 = \cos \theta$ and $\partial_\sigma \theta = -2c \sqrt{\cos \theta}$ that

$$\partial_\theta x_1 = -\frac{1}{2c} \sqrt{\cos \theta}, \quad (7.10)$$

and this gives rise to the condition $cL = \int_0^{\pi/2} d\theta \sqrt{\cos \theta}$, or

$$c = (2\pi)^{3/2} \Gamma^{-2}(1/4) L^{-1}. \quad (7.11)$$

Introducing a cut-off T in time, the string action reads

$$\begin{aligned} S &= T \frac{\sqrt{2\lambda}}{2\pi} \int d\sigma y^{-2} \\ &= T \frac{c\sqrt{2\lambda}}{2\pi} \int_{-\pi/2}^{\pi/2} d\theta (\cos \theta)^{-3/2}. \end{aligned} \quad (7.12)$$

The integral is divergent. This is not surprising, since we expect that there is a contribution due to the infinite mass of the two stretched open strings. The subtraction can be done effectively by regulating the integral in (7.12) using the Euler beta function. The result is

$$V = -\frac{4\pi^2 \sqrt{2\lambda}}{\Gamma^4(\frac{1}{4})} L^{-1}, \quad (7.13)$$

the same as derived in [63] using the Nambu-Goto action.

7.3. Large N QCD in the strong coupling limit

Given a thermal state in SYM, there must be a corresponding state in the AdS bulk theory. The natural candidate is the AdS black hole. The AdS black hole is a vacuum solution to Einstein equations with a negative cosmological constant. Thus the metric is a Einstein metric. This leads Witten to propose that any Einstein metric which asymptotes the AdS space represents a state in SYM [59,60]. The earlier calculation of the black hole entropy [65] supports this proposal, although there is a discrepancy in the numerical coefficient between the AdS black hole entropy and that of a free SYM.

The canonical ensemble of SYM is described by the QFT living on $R^3 \times S^1$, where the Euclidean time circle S^1 has a radius $\beta = 1/T$. All fermions are anti-periodic, thus gain a heavy mass in the reduced 3D theory when T is large. As standard in a thermal QFT, scalars as well as the time component of the gauge field also gain a mass at the one loop level: $m^2 \sim \lambda T^2$. Thus for energies much below the scale T , the theory is governed by an effective 3 dimensional pure gauge theory, or the 3D QCD. If the quantum mechanically generated masses persist to the strong coupling regime, the effective theory is still the 3D QCD. Thus, Maldacena conjecture leads to the exciting possibility, that the strongly coupled 3D QCD can be understood in terms of the 5D AdS black hole.

At a strong or intermediate coupling, the picture is not as attractive as it first appears. The effective 3D gauge coupling thus the 3D mass scale is $\lambda_3 = \lambda T$. This is no less than T , so the 3D interesting physics is entangled with the KK modes. It is hard to tell whether what the AdS physics teaches us is something about a 3D theory or really a 4D theory.

Nevertheless, we still want to explore the physics of the AdS black hole. In the Poincare coordinates, the metric is

$$ds^2 = \frac{U^2}{R^2} \left[\left(1 - \frac{U_0^4}{U^4}\right) dt^2 + \sum_{i=1}^3 dx_i^2 \right] + \frac{R^2}{U^2} \left(1 - \frac{U_0^4}{U^4}\right)^{-1} dU^2. \quad (7.14)$$

The Hawking temperature is $T = U_0/(\pi R^2)$. This relation reflects the general physics called the UV/IR correspondence [66]. One can replace the temperature by an energy scale E , and the corresponding radial distance U that one explores at this scale is $U = E\sqrt{\lambda}$. Now the calculation of the maximal entropy a region inside a distance U can contain is similar to the calculation of the entropy of a black hole of horizon size U :

$$S \sim V_3(U/R)^3/G_5, \quad (7.15)$$

where the five dimensional Newton constant $G_5 = G_{10}/R^5$. Using the UV/IR relation, we obtain

$$S \sim N^2 V_3 E^3 = N^2 V_3 / \delta^3, \quad (7.16)$$

where we replaced E by the UV cut-off in SYM. The entropy is precisely what a QFT encodes with a UV cut-off δ and volume V_3 .

Next, to see the emergence of confinement, we need to prove that the spectrum in the background of (7.14) is discrete. This is rather nontrivial in view that the manifold is not compact. Witten showed for a dilaton mode independent of time, there is indeed a mass gap [60]. For those KK modes in time, the masses are even larger.

One can repeat the calculation of the Wilson loops as in the zero temperature case. There are now a few possibilities. First, one considers a single Wilson loop wrapped in the time direction. This measures the effective mass of a heavy quark in the 4D theory at a finite temperature. One does not expect confinement, thus the mass correction to the infinite bare mass is finite, and the expectation value $\langle W(C) \rangle$ must be nonvanishing. Indeed this is the case, owing to the fact that the world sheet with boundary C can be extended in the AdS black hole background. Note that the Euclidean time circle collapses to a point at the horizon.

Next, one considers the correlation of two temporal Wilson loops. In this case one expects the Debye screening. This is simply the statement that the time component of the gauge field is massive, so the interaction energy between a heavy quark and an anti-quark must fall-off exponentially. The classical calculation shows that beyond a certain separation of order $1/T$, the interaction energy vanishes [67]. To reproduce the Debye screening, one needs to take quantum fluctuations into account. So indeed the electronic mass is nonvanishing in the strong coupling regime, just as in the weak coupling regime.

The third case is a spatial Wilson loop. This can be interpreted as a Wilson loop in the 3D pure gauge theory. It is argued in [60] that there is an area law in this case. An explicit calculation shows that the string tension is $\sqrt{\lambda} T^2$. Of course this does not agree with what one expects of the real 3D QCD, where the string tension must be proportional to $\lambda_3^2 \sim \lambda^2 T^2$.

One can choose another set of coordinates on AdS_5 such that the topology of its boundary becomes $S^3 \times R$. This is not surprising, since this boundary is conformal to R^4 , while at the boundary of AdS the metric blows up and only the conformal structure is

defined. Similarly, there is a black hole solution

$$ds^2 = -\left(1 + \frac{r^2}{R^2} - \frac{r_0^2}{r^2}\right)dt^2 + \left(1 + \frac{r^2}{R^2} - \frac{r_0^2}{r^2}\right)^{-1}dr^2 + r^2 d\Omega_3^2. \quad (7.17)$$

For a given Hawking temperature, there are two black holes. The larger one has a size greater than R . It is this black hole that corresponds to a thermal state in the boundary SYM living on $S^3 \times R$. It is easy to see that the specific heat is positive, agrees with what one expects of a QFT thermal state. The smaller black hole has a negative specific heat, thus corresponds to a meta-stable state in SYM.

The larger black hole goes over to the infinite volume limit. There is an interesting twist in this case. As shown by Hawking and Page [68], that there exist two manifolds for a given temperature. The second one is obtained by periodically identify time in the AdS metric. Comparing the two actions of the two manifold, it was found in [68] that there exists a phase transition at the temperature $TR = 3/(2\pi)$ (the original calculation was done for AdS_4). For a higher temperature, the free energy is dominated by the tree level effects thus is proportional to N^2 . This is called the high temperature phase. The tree level free energy of the low temperature phase vanishes, thus the dominant contribution comes from the one-loop effects, and the free energy is independent of N . This low temperature phase is identified by Witten as the finite volume confining phase [60]. It can be checked that the expectation value of a temporal Wilson $\langle W(C) \rangle$ vanishes, so the Z_N symmetry is unbroken, consistent with the notion that the phase is a confining one. The reason for vanishing the Wilson loop is rather simple: The Euclidean time circle never collapses, so one can not find a smooth world sheet with boundary C .

Indeed, the phase diagram of the 4D SYM is even more complicated than the above discussion indicates. There exists another kind of phase transition, the strong/weak coupling phase transition [69]. This exists at a finite temperature, for both the infinite volume limit as well as a finite volume. For a larger coupling λ , the phase may be termed as the supergravity phase, where one trust the α' expansion in the background of the AdS black hole. For a smaller coupling, one trust the perturbative SYM, where the expansion parameter is λ , or $(\alpha')^{-1}$. The phase transition point is what one would call the correspondence point [70]. The order parameter of this strong/weak coupling transition may be the Hawking-Page temperature at which the first order Hawking-Page phase transition occurs. We expect that this temperature drops to zero at the correspondence point [69].

The 4D large N QCD at the strong coupling limit can be studied starting with the near horizon geometry of D4-branes. All results obtained using supergravity only again

must be taken with a grain of salt, since the large N strong/weak coupling phase transition is the thing we have to live with. (Might it be the case that only with the presence of such a phase transition, we can hope that the dimensional transmutation in 4D QCD will emerge on the weak coupling side?)

8. Conclusion

We have learned a great deal in the past four years, and we are convinced more than ever that string/M theory is the most promising approach to unification of all forces in Nature, and to the elusive quantum gravity theory. Admittedly, despite much has been learned about the rich structure of M theory, and quantum properties of black holes, we are still miles away from the goal of formulating a nonperturbative, background independent M theory, and much still remains to be revealed about quantum black holes, especially the prototypical of all, the Schwarzschild black holes. In addition to the problem of uncovering the principles, we have the eminent more “technical” problems of relating M theory to the real world. How to break supersymmetry? How has our own universe evolved to today’s observed state, thus it is accurately described by both the particle standard model and the cosmological standard model?

One can spend hours speculating endlessly about the future of our efforts, and about the ultimate formulation of M theory. The most important thing the past experience teaches us is that we must always keep an open mind, and many surprises are awaiting ahead for us. Undoubtedly there have been many lines of thought as to where we should focus our attention. To provide just one such thought, we recommend ref.[71] to the reader.

Acknowledgments We would like to thank the organizers of duality workshop at CCAST, K. Wu and C.-J. Zhu for invitation to give lectures. The reading of the manuscript by V. Sahakian is gratefully acknowledged, his suggestions helped to improve the writing. This work was supported by DOE grant DE-FG02-90ER-40560 and NSF grant PHY 91-23780.

References

- [1] There are a number of reviews, see for example, J.H. Schwarz, “Lectures on Superstring and M Theory Dualities”, hep-th/9607201; M.R. Douglas, “Superstring Dualities, Dirichlet Branes and the Small Scale Structure of Space”, hep-th/9610041; P. Townsend, “Four Lectures on M-theory”, hep-th/9612121; “M-theory from its superalgebra”, hep-th/9712004; N. A. Obers and B. Pioline, “U-duality and M-Theory”, hep-th/9809039.
- [2] A. Hanany and E. Witten, “Type IIB Superstrings, BPS Monopoles, And Three-Dimensional Gauge Dynamics”, hep-th/9611230; E. Witten, “ Solutions Of Four-Dimensional Field Theories Via M Theory”, hep-th/9703166; A. Giveon and D. Kutasov, “Brane Dynamics and Gauge Theory”, hep-th/9802067.
- [3] J. Maldacena, “Black Holes in String Theory”, hep-th/9607235; A. Peet, “ The Bekenstein Formula and String Theory (N-brane Theory)”, hep-th/9712253.
- [4] M.B. Green, J.H. Schwarz and E. Witten, “Superstring theory”, Cambridge Press, 1987.
- [5] A. Giveon, M. Porrati and E. Rabinovici, “Target Space Duality in String Theory”, hep-th/9401139.
- [6] W. Nahm, in “monopoles in quantum field theory”, eds. N.S. Craigie, P. Goddard and W. Nahm, World Scientific, 1982.
- [7] C. Montonen and D. Olive, “Magnetic monopoles as gauge particles?”, Phys. Lett.72B (1977) 117.
- [8] C. Hull and P. Townsend, “Unity of Superstring Dualities”, hep-th/9410167; E. Witten, “String Theory Dynamics In Various Dimensions”, hep-th/9503124.
- [9] J. Dai, R. Leigh and J. Polchinski, “New connections between string theories”, Mod. Phys. Lett. A4 (1989) 2073; J. Polchinski, “ Dirichlet-Branes and Ramond-Ramond Charge”, hep-th/9510017; “TASI Lectures on D-Branes”, hep-th/9611050; C. P. Bachas, “Lectures on D-branes”, hep-th/9806199.
- [10] J. Scherk and J.H. Schwarz, “Dual models for nonhadrons”, Nucl. Phys. B81 (1974) 118; T. Yoneya, “Connection of dual models to electrodynamics and gravodynamics”, Prog. Theor. Phys. 51 (1974) 1907.
- [11] T. Banks, W. Fischler, S. Shenker and L. Susskind, “M theory as a matrix model: A conjecture ”, hep-th/9610043; L. Susskind, “Another conjecture about m(atrrix) theory”, hep-th/9704080.
- [12] E. Witten, “Bound states of strings and p-branes”, hep-th/9510135.
- [13] W. Nahm, “Supersymmetries and their representations”, Nucl. Phys. B135 (1978) 149; E. Cremmer, B. Julia and J. Scherk, “Supergravity theory in eleven dimensions”, Phys. Lett. 76B (1978) 409.

- [14] M. Dine, P Huet and N. Seiberg, “Large and small radius in string theory”, Nucl. Phys. B322 (1989) 301.
- [15] P. Ginsparg, “on toroidal compactification of heterotic superstrings”, Phys. Rev. D35 (1987) 648.
- [16] P. Horava and E. Witten, “Heterotic and Type I String Dynamics from Eleven Dimensions”, hep-th/9510209; “Eleven-Dimensional Supergravity on a Manifold with Boundary”, hep-th/9603142.
- [17] A. Sen, “String string duality conjecture in six dimensions and charged solitonic strings”, hep-th/9504027; J. Harvey and A. Strominger, “The heterotic string is a soliton”, hep-th/9504047.
- [18] D. Gross and P. Mende, “String theory beyond the Planck scale”, Nucl. Phys. B303 (1988) 407; D. Amati, M. Ciafaloni and G. Veneziano, “Superstring collisions at Planck energies”, Phys. Lett. B197 (1987) 81.
- [19] F. Gliozzi, J. Scherk and D. Olive, “Supergravity and the spinor dual model”, Phys. Lett. B65 (1976) 282.
- [20] D. Friedan, E. Martinec and S. Shenker, “Conformal invariance, supersymmetry and string theory”, Nucl. Phys. B271 (1986) 93.
- [21] D. Gross, J. Harvey, E. Martinec and R. Rohm, “Heterotic string theory. 1 and 2”, Nucl. Phys. B256 (1985) 253; Nucl. Phys. B267 (1986) 75.
- [22] M. Green and J.H. Schwarz, “Infinity cancellations in $SO(32)$ superstring theory”, Phys. Lett. B151 (1985) 21.
- [23] P. Townsend, “The eleven dimensional supermembrane revisited”, Phys. Lett. B350 (1995) 184.
- [24] J.H. Schwarz, “Covariant field equations of chiral $N=2$ $D=10$ supergravity”, Nucl. Phys. B226 (1983) 269.
- [25] J.H. Schwarz, “An $SL(2, Z)$ multiplet of type IIB superstrings”, hep-th/9508143.
- [26] E. Bergshoeff, C.M. Hull and T. Ortin, “Duality in the type-II superstring effective action”, hep-th/9504081.
- [27] P. Aspinwall, “Some relationships between dualities in string theory”, hep-th/9508154; J.H. Schwarz, “The power of M theory”, hep-th/9510086.
- [28] P. Townsend, “Three lectures on supermembranes”, 1988.
- [29] M. Duff, R. Khuri and J.X. Lu, “String solitons”, hep-th/9412184.
- [30] A. Strominger, “Open p-branes”, hep-th/9512059; P. Townsend, “D-branes from M-branes”, hep-th/9512062.
- [31] P. Aspinwall, “K3 surfaces and string duality”, hep-th/9611137.
- [32] J.H. Schwarz and A. Sen, “Duality symmetries of 4D heterotic strings”, hep-th/9305185.

- [33] N. Seiberg, “Observations on the moduli space of superconformal field theories”, Nucl. Phys. B303 (1988) 286; P. Aspinwall and D. Morrison, “String theory on K3 surfaces”, hep-th/9404151.
- [34] A. Strominger, “Massless black holes and conifolds in string theory”, hep-th/9504090; B. Greene, D. Morrison and A. Strominger, “Black hole condensation and the unification of string vacua”, hep-th/9504145.
- [35] J. Schwarz, “Classical symmetries of some two-dimensional models”, hep-th/9503078; A. Sen, “Duality symmetry group of two dimensional heterotic string theory”, hep-th/9503057; T. Banks and L. Susskind, “The number of states of two dimensional critical string theory”, hep-th/9511193.
- [36] J. Polchinski and E. Witten, “Evidence for heterotic-type I string duality”, hep-th/9510169; C. Vafa, “Evidence for F-theory”, hep-th/9602022.
- [37] R. Leigh, “Dirac-Born-Infeld action from Dirichlet sigma model”, Mod. Phys. Lett. A4 (1989) 2073.
- [38] M. Li, “Boundary states of D-branes and dy-strings”, hep-th/9510161; M.R. Douglas, “Branes within branes”, hep-th/9512077.
- [39] E. Witten, “Small instantons in string theory”, hep-th/9511030.
- [40] T. Banks, “Matrix theory”, hep-th/9710231; Biggati and L. Susskind, “Review of matrix theory”, hep-th/9712072; W. Taylor, “Lectures on D-branes, gauge theory and matrices”, hep-th/9801182.
- [41] W. Taylor, “D-brane field theory on compact spaces”, hep-th/9611042.
- [42] L. Motl, “Proposals on nonperturbative superstring interactions”, hep-th/9701025; R. Dijkgraaf, E. Verlinde and H. Verlinde, “Matrix string theory”, hep-th/9703030.
- [43] T. Banks and N. Seiberg, “Strings from matrices”, hep-th/9702187.
- [44] O. Ganor, S. Ramgoolam and W. Taylor, “Branes, fluxes and duality in matrix theory”, hep-th/9611202; L. Susskind, “T duality in matrix theory and S duality in field theory”, hep-th/9611164.
- [45] M. Rozali, “Matrix theory and U-duality in seven dimensions”, hep-th/9702136; M. Berkooz, Rozali and N. Seiberg, “Matrix description of M theory on T^4 and T^5 ”, hep-th/9704089.
- [46] N. Seiberg, “Matrix description of M theory on T^5 and T^5/Z_2 ”, hep-th/9705221.
- [47] U. Danielsson, G. Ferretti and B. Sundborg, “D-particle dynamics and bound states”, hep-th/9603081; D. Kabat and P. Pouliot, “A comment on zero-brane quantum mechanics”, hep-th/9603127.
- [48] M.R. Douglas, D. Kabat, P. Pouliot and S. Shenker, “D-branes and short distances in string theory”, hep-th/9608024.
- [49] S. Paban, S. Sethi and M. Stern, “Constraints constraints from extended supersymmetry in quantum mechanics”, hep-th/9805018.

- [50] A. Jevicki and T. Yoneya, “Space-time uncertainty principle and conformal symmetry in D-particle dynamics”, hep-th/9805069.
- [51] A. Sen, “D0-branes on T^n and matrix theory”, hep-th/9709220 ; N. Seiberg, “Why matrix theory is correct”, hep-th/9710009.
- [52] J. Bekenstein, Lett. Nuovo. Cim. 4 (1972) 737; S. Hawking, Comm. Math. Phys. 43 (1975) 199.
- [53] A. Strominger and C. Vafa, “Microscopic origin of the Bekenstein-Hawking entropy”, hep-th/9601029; C. Callan and J. Maldacena, “D-brane approach to black hole quantum mechanics”, hep-th/9602043.
- [54] A. Dhar, G. Mandel and S. Wadia, “Absorption vs decay of black holes in string theory and T-symmetry”, hep-th/9605234; S. Das and S. Mathur, “Comparing decay rates for black holes and D-branes”, hep-th/9606185; J. Maldacena and A. Strominger, “Black hole greybody factors and D-brane spectroscopy”, hep-th/9609026.
- [55] J. Maldacena, “Statistical entropy of near extremal five-branes”, hep-th/9605016; M. Li and E. Martinec, “Matrix black holes”, hep-th/9703211; “On the entropy of matrix black holes”, hep-th/9704134; R. Dijkgraaf, E. Verlinde and H. Verlinde, “5D black holes and matrix strings”, hep-th/9704018.
- [56] T. Banks, W. Fischler, I. Klebanov and L. Susskind, “Schwarzschild black holes from matrix theory I and II”, hep-th/9709091, hep-th/9711005; I. Klebanov and L. Susskind, “Schwarzschild black holes in various dimensions from matrix theory”, hep-th/9709108; G. Horowitz and E. Martinec, “Comments on black holes in matrix theory”, hep-th/9710217.
- [57] M. Li, “Matrix Schwarzschild black holes in large N limit”, hep-th/9710226; M. Li and E. Martinec, “Probing matrix black holes”, hep-th/9801070.
- [58] J. M. Maldacena, “The large N limit of superconformal field theories and supergravity”, hep-th/9711200.
- [59] S. S. Gubser, I. R. Klebanov and A. M. Polyakov, “Gauge theory correlators from non-critical string theory”, hep-th/9802109; E. Witten, “Anti de Sitter space and holography”, hep-th/9802150.
- [60] E. Witten, “Anti-de Sitter space, thermal phase transition, and confinement in gauge theories”, hep-th/9803131.
- [61] I. R. Klebanov, hep-th/9702076; S. Gubser, I. R. Klebanov and A. A. Tseytlin, “String theory and classical absorption by threebranes”, hep-th/9703040; M. R. Douglas, J. Polchinski and A. Strominger, “Probing five-dimensional black holes with D-branes hep-th/9703031.
- [62] W. Mueck and K. S. Viswanathan, “Conformal field theory correlators from classical scalar field theory on AdS_{d+1} ”, hep-th/9804035; D. Z. Freedman, S. D. Mathur, A. Matusis and L. Rastelli, “Correlation functions in the CFT(d)/AdS(d+1) correspondence”, hep-th/9804058; H. Liu and A. A. Tseytlin, “ $D = 4$ super Yang Mills,

- $D = 5$ gauged supergravity and $D = 4$ conformal supergravity”, hep-th/9804083; G. Chalmers, H. Nastase, K. Schalm and R. Siebelink, “R-current correlators in $N = 4$ super Yang-Mills theory from Anti-de Sitter”, hep-th/9805105; S. Lee, S. Minwalla, M. Rangamani and N. Seiberg, “Three-point functions of chiral operators in $D=4$, $N = 4$ SYM at large N ”, hep-th/9806074.
- [63] J. M. Maldacena, “Wilson loops in large N field theories”, hep-th/9803002; S.-J. Rey and J. Yee, “Macroscopic strings as heavy quarks of large N gauge theory and anti-de Sitter supergravity”, hep-th/9803001.
- [64] A. Jevicki, Y. Kazama and T. Yoneya, “Quantum metamorphosis of conformal transformation in D3-Brane Yang-Mills theory”, hep-th/9808039.
- [65] S. S. Gubser, I. R. Klebanov and A. Peet, “Entropy and temperature of black 3-branes hep-th/9602135.
- [66] L. Susskind and E. Witten, “The holographic bound in anti-de Sitter space”, hep-th/9805114.
- [67] A. Brandhuber, N. Itzhaki, J. Sonnenschein and S. Yankielowicz, “Wilson loops in the large N limit at finite temperature”, hep-th/9803137; S.-J. Rey, S. Theisen and J.-T. Yee, “Wilson-Polyakov loop at finite temperature in large N gauge theory and anti-de Sitter supergravity”, hep-th/9804135.
- [68] S. Hawking and D. Page, “Thermodynamics of black holes in anti-de Sitter space”, Comm. Math. Phys. 87 (1983) 577.
- [69] M. Li, “Evidence for large N phase transition in $N = 4$ super Yang-Mills theory at finite temperature hep-th/9807196; Y.-H. Gao and M. Li, “Large N strong/weak coupling phase transition and the correspondence principle hep-th/9810053.
- [70] G. Horowitz and J. Polchinski, “A correspondence principle for black holes and strings”, hep-th/9612146.
- [71] M. Li and T. Yoneya, “Short-distance space-time structure and black holes in string theory : a short review of the present status”, hep-th/9806240.