

One-Bit Sigma-Delta DFRC Waveform Design: Using Quantization Noise for Radar Probing

Wai-Yiu Keung^{†§}, Hei Victor Cheng^{*}, and Wing-Kin Ma[§]

[†]Department of Computer Science and Engineering, The Chinese University of Hong Kong, Hong Kong SAR of China

[§]Department of Electronic Engineering, The Chinese University of Hong Kong, Hong Kong SAR of China

^{*}Department of Electrical and Computer Engineering, Aarhus University, Denmark

Abstract—Dual-functional radar-communication (DFRC) signal design has received much attention lately. We consider the scenario of one-bit massive multi-input multi-output (MIMO) wherein one-bit DACs are employed for the sake of saving hardware costs. Specifically, a spatial Sigma-Delta ($\Sigma\Delta$) modulation scheme is proposed for one-bit MIMO-DFRC waveform design. Unlike the existing approaches which require large-scale binary optimization, the proposed scheme performs $\Sigma\Delta$ modulation on a continuous-valued DFRC signal. The subsequent waveform design is formulated as a constrained least square problem, which can be efficiently solved. Moreover, we leverage quantization noise for radar probing purposes, rather than treating it as unwanted noise. Numerical results demonstrate that the proposed scheme performs well in both radar probing and downlink precoding.

Index Terms—one-bit MIMO, dual-functional radar-communication, $\Sigma\Delta$ modulation.

I. INTRODUCTION

Integrated sensing and communication (ISAC) has recently received significant interests from academia and industry [1]–[3]. In the past, radar and communication were treated as independent subjects, and they usually operate in different frequencies. With the increasing demand for spectral resources, it is anticipated that the next-generation communication system will support spectrum sharing for several functions in the same frequency band.

Sharing bandwidth for radar and communication systems is not new in civil and commercial applications. For example, the air traffic control radar probing signal operates in the *IEEE L-band*, while the LTE standard occupies the same band for mobile communications [4]. Such a kind of spectrum sharing is usually achieved by means of interference management, which requires some prior exchange between the two (radar and communication) systems [5]. What distinguishes ISAC from the coexisting approach is the ability to use a single signal for both radar and communication purposes. Such an integrated approach reduces the information overhead between the two systems. It also reduces the operating cost for the overall system as it only requires one set of hardware equipment to implement both systems. This has motivated the study of DFRC waveform design, particularly under the multiple-input multiple-output (MIMO) settings [6], [7].

On the other hand, the subject of quantized signal pro-

cessing has attracted attention in communication, especially in massive MIMO precoding [8]–[10]. This is motivated by the fact that using high-resolution analog-to-digital/digital-to-analog converters (ADCs/DACs) in large MIMO systems is too expensive, and they consume too much energy. In the context of precoding, the majority of the existing literature seek to design the transmitted signal by optimizing a certain quality-of-service metric, subject to the one-bit signaling constraint. There are some pioneering works on one-bit optimization-based MIMO-DFRC signal design [11]–[14]. Such schemes were numerically found to yield good performance. However, the main challenge is that large-scale discrete optimization is required, and that incurs significant computational overheads.

In addition to the discrete optimization-based approach, there is a line of studies that analyze the effect of one-bit quantization over the transmitted MIMO signal [15], [16]. As direct quantization incurs large distortion, the question is whether we can suitably control the quantization noise to enhance precoding performance. More recently, spatial $\Sigma\Delta$ modulation has been applied to coarsely quantized massive MIMO precoding [17], [18]. Temporal $\Sigma\Delta$ modulation is a classic ADC/DAC structure that features quantization noise-shaping [19]. Assuming that the base station (BS) uses a uniform linear array (ULA), spatial $\Sigma\Delta$ modulation shapes the quantization noise away from the broadside. Therefore, when the BS sends a $\Sigma\Delta$ one-bit signal, the users experience little distortion if they are in the small angle range, e.g., $[-20^\circ, 20^\circ]$. The merit of $\Sigma\Delta$ precoding is that it allows the use of traditional simple precoding designs (e.g., zero-forcing) that require far less computation power than the discrete optimization designs. Apart from precoding, spatial $\Sigma\Delta$ modulation has found other applications, such as, MIMO detection, channel estimation, power amplifier distortion mitigation, and phase design for reconfigurable intelligent surface [20]–[23].

In this paper, we consider spatial $\Sigma\Delta$ modulation for one-bit MIMO-DFRC waveform design, wherein one-bit DACs are employed at the DFRC base station. Specifically, we perform quantization on a pre-designed DFRC signal by the first-order $\Sigma\Delta$ modulator. Our pre-modulated DFRC signal design is formulated as a constrained least square problem, which can be efficiently solved. We will show that the proposed one-bit

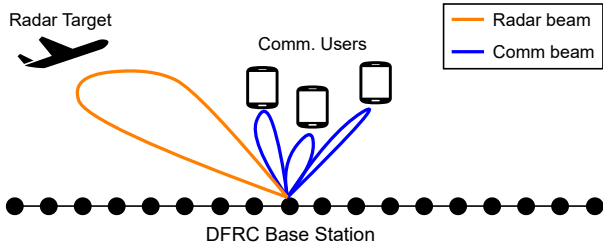


Fig. 1: System Diagram

$\Sigma\Delta$ DFRC waveform design achieves good performances in both radar probing and precoding.

II. PROBLEM STATEMENT

Consider a MIMO-DFRC base station with N transmit antenna arranged as a uniform linear array (ULA). We aim to design signals to serve K single-antenna downlink communication users. Meanwhile, there is a single point target, which we want to probe for radar detection purposes. The scenario is illustrated in Fig. 1. Let \mathbf{x}_ℓ be the transmitted DFRC signal at the ℓ -th time instant. The signal $\mathbf{X} = [\mathbf{x}_1, \dots, \mathbf{x}_L] \in \mathbb{C}^{N \times L}$ is designed to serve both radar and communication purposes.

A. MIMO Radar Probing

Let us first describe the MIMO radar probing task. Under the narrow-band flat-fading channel assumption, the transmitted pattern at angle $\theta \in (-90^\circ, 90^\circ)$ is

$$r_\ell(\theta) = \mathbf{a}_\theta^H \mathbf{x}_\ell$$

with $\mathbf{a}_\theta = (1, e^{j\omega}, \dots, e^{j\omega(N-1)}) \in \mathbb{C}^N$, $\omega = \frac{2\pi d}{\lambda} \sin(\theta)$, being the steering vector. Here, $d \leq \lambda/2$ is the inter-antenna spacing, and λ is the wavelength of the carrier. The emitted signal pattern over the L instants can be written as

$$\mathbf{r}_\theta^T = \mathbf{a}_\theta^H \mathbf{X}_R \in \mathbb{C}^L$$

where $\mathbf{X}_R = [\mathbf{x}_1, \dots, \mathbf{x}_L] \in \mathbb{C}^{N \times L}$ is the transmitted probing signal matrix. The transmitted beampattern is given by

$$P(\theta) = \mathbb{E}(|\mathbf{a}_\theta^H \mathbf{x}_\ell|^2) = \mathbf{a}_\theta^H \mathbf{C} \mathbf{a}_\theta \quad (1)$$

where $\mathbf{C} = \mathbb{E}[\mathbf{x}_\ell \mathbf{x}_\ell^H]$ is the covariance matrix of the transmitted signal, which we aim to design.

Assume that the radar target falls within a region of interest $\Theta_M \subset (-90^\circ, 90^\circ)$. Denote θ_0 as the midpoint of Θ_M . We call Θ_M as the mainlobe. Let $\Theta_S \subset (-90^\circ, 90^\circ) \setminus \Theta_M$ be a pre-defined sidelobe. Given a per-antenna transmission power budget p , one can design the beampattern by, e.g., maximizing the worst-case mainlobe-to-sidelobe ratio, while controlling the mainlobe ripple. This is formulated as [24]:

$$\begin{aligned} & \max_{\mathbf{C} \succeq 0, \tau \geq 0} \quad \tau \\ & \text{s.t.} \quad P(\theta_0) - P(\theta) \geq \tau, \quad \theta \in \Theta_S \\ & \quad (1 + \epsilon)P(\theta_0) \geq P(\theta) \geq (1 - \epsilon)P(\theta_0), \quad \theta \in \Theta_M \\ & \quad [\mathbf{C}]_{nn} \leq p, \quad n = 1, \dots, N. \end{aligned} \quad (2)$$

Here, $\epsilon \geq 0$ is a small constant that controls the mainlobe

ripple. As can be seen, problem (2) aims to maximize the radiation power gap between Θ_M and Θ_S . Thus, the strength of the probing signal in Θ_S will be smaller than that in Θ_M . The idea is to avoid clutters in Θ_S from reflecting strong echo that may confuse (or interfere) the radar detector. It is worth noting that problem (2) is a convex optimization problem.

Given a properly designed covariance matrix \mathbf{C} , there are several ways to generate \mathbf{X}_R , see, e.g., [24], [25]. One simple way is to synthesize

$$\mathbf{X}_R = \mathbf{C}^{1/2} \mathbf{W} \quad (3)$$

where $\mathbf{C}^{1/2}$ is the positive semidefinite square root of the matrix \mathbf{C} ; $\mathbf{W} = [\mathbf{w}_1, \dots, \mathbf{w}_L]$, and $\mathbf{w}_\ell \sim \mathcal{CN}(\mathbf{0}, \frac{1}{\sqrt{2}} \mathbf{I}_N)$ is a standard complex Gaussian random vector. We should mention that eqn. (3) has little control on the signal values in \mathbf{X}_R . In practice, it requires more dedicated algorithms to search for a \mathbf{X}_R that satisfies the one-bit waveform constraint.

B. MIMO Communication Precoding

Next, we describe the downlink transmission task. Let $\mathbf{X}_C \in \mathbb{C}^{N \times L}$ be the precoded signal matrix to be designed. Let the downlink symbol stream for the k -th user be $\mathbf{s}_k = (s_{k,1}, \dots, s_{k,L})^T$. The symbol matrix for all the K users within the channel coherence block can be written as $\mathbf{S} = (\mathbf{s}_1, \dots, \mathbf{s}_K) \in \mathcal{S}^{K \times L}$, where \mathcal{S} is a constellation set, e.g., the M -ary QAM set. The received signal model is given by

$$\mathbf{Y} = \mathbf{H} \mathbf{X}_C + \mathbf{V}_C$$

where $\mathbf{H} = [\mathbf{h}_1, \dots, \mathbf{h}_K]^H \in \mathbb{C}^{K \times N}$ is the channel matrix; $\mathbf{V}_C \in \mathbb{C}^{K \times L}$ with its entries being $v_{k,\ell} \sim \mathcal{CN}(0, \sigma_v^2)$ is the background noise. A simple precoding design is to minimize the multi-user interference (MUI), while making sure that the signal matrix satisfies some transmission constraints, e.g., the one-bit signal constraint. This can be formulated as

$$\begin{aligned} & \min_{\mathbf{X}_C} \quad \|\mathbf{H} \mathbf{X}_C - \mathbf{S}\|_F^2 \\ & \text{s.t.} \quad \mathbf{X}_C \in \{\pm 1, \pm j\}^{N \times L} \end{aligned} \quad (4)$$

When there is no constraint on \mathbf{X}_C , one can simply use the zero-forcing scheme $\mathbf{X}_C = \mathbf{H}^\dagger \mathbf{S}$ to perform precoding. Under the one-bit constraint, the problem is a large-scale binary optimization problem, which is challenging to solve.

C. One-Bit MIMO-DFRC Signal Design

We have reviewed the designs of the MIMO radar probing signal matrix \mathbf{X}_R and the MIMO communication precoding matrix \mathbf{X}_C . We now turn to the design of \mathbf{X} that works for both radar probing and communication precoding. Let $\delta \in (0, 1)$ be a pre-defined trade-off factor between the radar and communication purposes. Suppose that an ideal radar probing matrix \mathbf{X}_R is synthesized by, e.g., (2)–(3). Following [6], we pose the one-bit DFRC signal design problem as:

$$\begin{aligned} & \min_{\mathbf{X}} \quad \delta \|\mathbf{H} \mathbf{X} - \mathbf{S}\|_F^2 + (1 - \delta) \|\mathbf{X} - \mathbf{X}_R\|_F^2 \\ & \text{s.t.} \quad \mathbf{X} \in \{\pm 1, \pm j\}^{N \times L} \end{aligned} \quad (5)$$

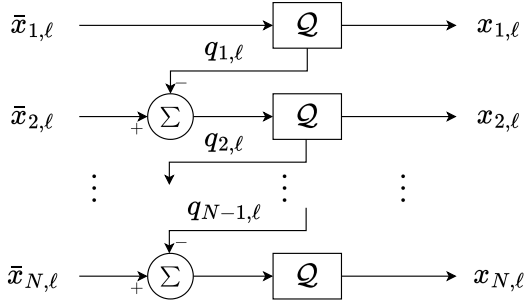


Fig. 2: Spatial $\Sigma\Delta$ modulator.

Such optimization seeks to design a binary matrix \mathbf{X} that balances between MUI reduction and proximity to the desired radar matrix \mathbf{X}_R . Define

$$\mathbf{F} = \begin{bmatrix} \sqrt{\delta}\mathbf{H} \\ \sqrt{1-\delta}\mathbf{I}_N \end{bmatrix} \text{ and } \mathbf{B} = \begin{bmatrix} \sqrt{\delta}\mathbf{S} \\ \sqrt{1-\delta}\mathbf{X}_R \end{bmatrix}, \quad (6)$$

the objective function of (5) can be expressed as

$$\begin{aligned} \min_{\mathbf{X}} \quad & \|\mathbf{F}\mathbf{X} - \mathbf{B}\|_F^2 \\ \text{s.t.} \quad & \mathbf{X} \in \{\pm 1, \pm j\}^{N \times L}. \end{aligned} \quad (7)$$

This problem is challenging due to the one-bit constraint.

As before, if the binary constraint is relaxed, the problem admits a closed-form unconstrained least-square solution of $\mathbf{X}^* = \mathbf{F}^\dagger \mathbf{B}$. However, such a solution lies in the free-space $\mathbb{C}^{N \times L}$. We can obtain a one-bit signal matrix by putting \mathbf{X}^* through a direct quantizer, i.e., taking directly the sign of the real and imaginary part of \mathbf{X}^* . The drawback is that the quantization error may be large, which may cause significant performance degradation in both radar and communication.

III. SPATIAL SIGMA-DELTA MODULATION

In this paper, we are less interested in the discrete optimization approaches for MIMO DFRC waveform design, as their high computation complexity prohibits them to be implemented in practice. Instead, we emphasize on a precode-then-quantize scheme. In particular, we propose to use spatial $\Sigma\Delta$ modulation to shape the quantization noise power away from the communication user, and to leverage it for radar-probing purposes in the region of interest. To explain such spatial noise-shaping technique in one-bit MIMO, we describe the idea of spatial $\Sigma\Delta$ modulation from a communication point of view.

A spatial $\Sigma\Delta$ modulator is depicted in Figure 2. The modulator input $\{\bar{x}_{n,\ell}\}$ is a pre-defined free-space signal. The complex quantizer is defined by

$$\mathcal{Q}(x) = \text{sgn}(\Re(x)) + j\text{sgn}(\Im(x)),$$

which quantizes the in-phase and quadrature components of the input signal. As seen from the system diagram, the quantization noise is passed to the adjacent antenna, forming

a spatial feedback loop. The system can be written as

$$\mathbf{x}_\ell = \mathcal{Q}(\bar{\mathbf{x}}_\ell - \mathbf{q}_\ell^-) = \bar{\mathbf{x}}_\ell - \mathbf{q}_\ell^- + \mathbf{q}_\ell \quad (8)$$

where $\mathbf{q}_\ell = (q_{1,\ell}, \dots, q_{N,\ell})$ is the quantization noise sequence; and $\mathbf{q}_\ell^- = (0, q_{1,\ell}, \dots, q_{N-1,\ell})$ is the delayed quantization noise at the feedback path. Before we proceed, we should also mention the stability criterion of the system (8). Notice that the quantization noise depends on the feedback noise:

$$q_{n,\ell} = x_{n,\ell} - (\bar{x}_{n,\ell} - q_{n-1,\ell}) \quad (9)$$

for $n = 1, \dots, N$. The amplitude of $|q_{n,\ell}|$ may grow large with n . This phenomenon may happen if the quantizer in the modulator is overloaded. To prevent that, it is typical to limit the input signal amplitude by

$$-1 \leq \Re(\bar{x}_{n,\ell}), \Im(\bar{x}_{n,\ell}) \leq 1.$$

One can show that this results in $q_{n,\ell} \in [-1, 1] \times [-j, j]$. We refer readers to [17]–[19] for detail. This no-overload condition has a strict amplitude restriction on the input signal, which can be achieved by signal normalization in the digital domain for DAC applications. As a heuristic, we further describe the following fact:

Fact 1. (Probably no-overload condition.) Suppose that $\bar{x}_{n,\ell}$'s are complex Gaussian random variables following $\mathcal{CN}(0, \sigma_x^2)$ for $\ell = 1, \dots, L$. If $\sigma_x^2 \leq 2/9$, then the $\Sigma\Delta$ modulator has no overload for 99.7% of the samples.

The idea of this fact follows from the famous three-sigma rule [26, pp. 378]. In essence, this allows us to perform signal design on $\{\bar{x}_{n,\ell}\}$ by constraining its spatial variance instead of using a strict amplitude bound.

We now discuss the core insight of spatial noise-shaping. Consider a downlink communication user locating at angle $\theta \in (-90^\circ, 90^\circ)$ with unit channel gain. The noiseless received signal model is given by

$$\mathbf{a}_\theta^H \mathbf{x}_\ell \simeq \mathbf{a}_\theta^H \bar{\mathbf{x}}_\ell + (1 - e^{-j\omega}) \left(\sum_{n=1}^{N-1} q_{n-1,\ell} e^{-j\omega(n-1)} \right), \quad (10)$$

which approximately holds when $N \gg 1$. Here, $\omega = \frac{2\pi d}{\lambda} \sin(\theta)$ is the spatial frequency associated with the user angle. We observe that the quantization noise perceived at the angle θ is shaped by a high-pass filter $|1 - e^{-j\omega}|$. This implies that the power of quantization noise in a small angular region (e.g., $\theta \in [-20^\circ, 20^\circ]$) will be small, and hence users facing the array broadside will be less affected by the quantization effect. We also see that a smaller d will help to reduce the quantization noise perceived by the user. Nevertheless, a very small d is prohibitive as it may induce mutual coupling. It is common to use $\lambda/8 \leq d \leq \lambda/2$ in the current literature.

Prior works have shown that spatial $\Sigma\Delta$ modulation can be used to generate quantized MIMO signals to serve communication users in a small angular range [17], [18]. It is also suggested that the quantization noise power at high angular

region is rich. This motivates us to make use of the shaped quantization noise for radar-probing purposes at large angles.

IV. PROPOSED SCHEME

In this section, we present the proposed design for $\Sigma\Delta$ DFRC signals. Our proposed scheme is separated into two steps. First, we provide a covariance-based probing signal design strategy customized for the pre- $\Sigma\Delta$ modulation signal matrix. Then, we generate signals from the designed covariance matrix that serves as an ideal radar probing signal $\bar{\mathbf{X}}_R$. Second, we will design a pre- $\Sigma\Delta$ modulation signal for DFRC purposes. We will make use of the synthesized pre-modulated radar signal $\bar{\mathbf{X}}_R$ to perform DFRC signal design by a variant of (5). Finally, the designed DFRC signal will be converted to one-bit signals by spatial $\Sigma\Delta$ modulation.

A. Covariance-Based Probing Signal Design

In this subsection, we reformulate the transmit beampattern design problem (2) by taking the effect of spatial $\Sigma\Delta$ modulation into consideration. If the one-bit transmitted signal is generated by (8), the spatial beampattern is expressed as

$$P(\theta) = \mathbb{E}(|\mathbf{a}_\theta^H(\bar{\mathbf{x}}_\ell + \mathbf{q}_\ell - \mathbf{q}_\ell^-)|^2). \quad (11)$$

Due to the dependence of \mathbf{q}_ℓ on $\bar{\mathbf{x}}_\ell$ (cf. eqn. (9)), quantization noise analysis for $\Sigma\Delta$ modulation is a difficult task. A convenient approximation, which is widely adopted in the $\Sigma\Delta$ literature, is stated as follows:

Assumption 1. The quantization noise $q_{n,\ell}$'s are i.i.d. random variables, and they are uniformly distributed on the support $[-1, 1] \times [-j, j]$.

Under such assumption, we simplify (11) to

$$P(\theta) = \mathbb{E}(|\mathbf{a}_\theta^H \bar{\mathbf{x}}_\ell|^2) + D(\theta),$$

where $D(\theta) = \mathbb{E}(|\mathbf{a}_\theta^H(\mathbf{q}_\ell - \mathbf{q}_\ell^-)|^2)$. Observe that the equation structure is identical to (10). Therefore, we can write

$$\begin{aligned} D(\theta) &\simeq |1 - e^{-j\omega}|^2 \mathbb{E} \left(\left| \sum_{n=1}^{N-1} q_{n-1,\ell} e^{-j\omega(n-1)} \right|^2 \right) \\ &= \frac{8(N-1)}{3} \left| \sin \left(\frac{\pi d \sin(\theta)}{\lambda} \right) \right|^2 \end{aligned}$$

wherein we have used $\mathbb{E}(|q_{n,\ell}|^2) = 2/3$, which is a consequence of Assumption 1. The spatial beampattern of the one-bit $\Sigma\Delta$ modulated signal is written as

$$P(\theta) = \mathbf{a}_\theta^H \bar{\mathbf{C}} \mathbf{a}_\theta + D(\theta) \quad (12)$$

where $\bar{\mathbf{C}}$ is the correlation matrix of the pre- $\Sigma\Delta$ signal $\bar{\mathbf{x}}_\ell$. Plugging this into (2), we modify the beampattern design problem to fit for the design of $\bar{\mathbf{C}}$ as:

$$\begin{aligned} \max \quad & \tau \\ \text{s.t.} \quad & \mathbf{a}_{\theta_0}^H \bar{\mathbf{C}} \mathbf{a}_{\theta_0} - \mathbf{a}_\theta^H \bar{\mathbf{C}} \mathbf{a}_\theta + D(\theta_0) - D(\theta) \geq \tau, \quad \theta \in \Theta_S \\ & (1+\epsilon)(\mathbf{a}_{\theta_0}^H \bar{\mathbf{C}} \mathbf{a}_{\theta_0} + D(\theta_0)) \geq \mathbf{a}_\theta^H \bar{\mathbf{C}} \mathbf{a}_\theta + D(\theta) \\ & \geq (1-\epsilon)(\mathbf{a}_{\theta_0}^H \bar{\mathbf{C}} \mathbf{a}_{\theta_0} + D(\theta_0)) \quad \theta \in \Theta_M \\ & [\bar{\mathbf{C}}]_{n,n} \leq p, \quad n = 1, \dots, N \\ & \bar{\mathbf{C}} \succeq 0, \tau \geq 0 \end{aligned} \quad (13)$$

Similar to problem (2), the customized problem (13) is a convex problem, and can be handled by an off-the-shelf solver, such as `cvx` [27]. Note that the covariance $\bar{\mathbf{C}}$ can be pre-computed and stored for, e.g., several probing directions, in practice. Once $\bar{\mathbf{C}}$ is determined, we can generate the ideal radar-probing signal matrix $\bar{\mathbf{X}}_R$ by using (3).

B. DFRC Waveform Design

We now describe the design of the pre- $\Sigma\Delta$ modulated DFRC signal matrix. Given a communication-to-radar trade-off factor δ , a user symbol matrix \mathbf{S} , and a desired probing matrix $\bar{\mathbf{X}}_R$, we consider the DFRC design for pre- $\Sigma\Delta$ modulated signal:

$$\begin{aligned} \min_{\bar{\mathbf{X}} \in \mathbb{C}^{N \times L}} \quad & \|\mathbf{F}\bar{\mathbf{X}} - \mathbf{B}\|_F^2 \\ \text{s.t.} \quad & \text{diag}(\bar{\mathbf{X}}^H \bar{\mathbf{X}}) \leq \frac{2N}{9} \mathbf{1} \end{aligned} \quad (14)$$

whereas \mathbf{F}, \mathbf{B} are as defined in (6), with \mathbf{X}_R replaced by $\bar{\mathbf{X}}_R$; $\bar{\mathbf{X}} = [\bar{\mathbf{x}}_1, \dots, \bar{\mathbf{x}}_L]$ is the pre- $\Sigma\Delta$ modulated signal matrix; and the constraint is to ensure that the spatial signals $\bar{\mathbf{x}}_\ell$'s have spatial variances smaller than $2/9$ by Fact 1. Here, we assumed $\bar{\mathbf{x}}_\ell$'s are independent zero-mean complex Gaussian random vectors implicitly. Problem (14) is a convex problem with a large problem size (N is large in massive MIMO). In practice, the optimization is conducted in each channel coherence block. Thus, it is undesirable to solve problem (14) using a general purpose solver.

We are therefore interested in analyzing the problem structure of (14). We first observe from (14) that the variables can be decomposed into L vectors, and rewrite

$$\begin{aligned} \min_{\{\bar{\mathbf{x}}_\ell \in \mathbb{C}^N\}_{\ell=1}^L} \quad & \sum_{\ell=1}^L \|\mathbf{F}\bar{\mathbf{x}}_\ell - \mathbf{b}_\ell\|_2^2 \\ \text{s.t.} \quad & \|\bar{\mathbf{x}}_\ell\|_2^2 \leq 2N/9, \quad \ell = 1, \dots, L, \end{aligned} \quad (15)$$

where \mathbf{b}_ℓ is the ℓ -th column of \mathbf{B} . From here, we see that each of the constraints concerns only one $\bar{\mathbf{x}}_\ell$, and that the minimum of each $\|\mathbf{F}\bar{\mathbf{x}}_\ell - \mathbf{b}_\ell\|_F^2$ shall lead to the minimum of the objective in (14). Thus, we design $\bar{\mathbf{X}}$ in a column-by-column fashion. Specifically, for each $\ell = 1, \dots, L$, we solve

$$\begin{aligned} \min_{\bar{\mathbf{x}}_\ell \in \mathbb{C}^N} \quad & \|\mathbf{F}\bar{\mathbf{x}}_\ell - \mathbf{b}_\ell\|_2^2 \\ \text{s.t.} \quad & \|\bar{\mathbf{x}}_\ell\|_2^2 \leq 2N/9 \end{aligned} \quad (16)$$

Problem (16) is a 2-norm constrained least square problem. It is well-known that the optimal solution to (16) admits the form

$$\bar{\mathbf{x}}_\ell^* = (\mathbf{F}^H \mathbf{F} + \bar{\lambda}_\ell \mathbf{I})^{-1} \mathbf{F}^H \mathbf{b}_\ell$$

where $\bar{\lambda}_\ell$ can be efficiently solved by, e.g., using singular value decomposition and bisection search [28, Ch. 6.2.1].

We should also remark on some operation aspects in using $\Sigma\Delta$ modulation for one-bit DFRC signal design. First, we describe the communication aspect. Same as the preceding study [17, Sec. 5.4], we assume the channel vectors \mathbf{h}_k 's follow the multi-path channel model

$$\mathbf{h}_k = \sum_{j=1}^J \alpha_{k,j} \mathbf{a}_{\theta_{k,j}} \quad (17)$$

where J is the number of multi-paths for each user; $\alpha_{k,j}$ and $\theta_{k,j}$ are, respectively, the complex channel gain and the angle for the j -th path of the k -th user. We assume the path angles $\theta_{k,j}$'s are relatively small, so that the prescribed spatial noise-shaping works well for the communication users [22, Sec. 4.2]. Second, we assume the region of interest (mainlobe of the beampattern) for radar probing is within a higher angular region, e.g., $|\theta| \geq 50^\circ$. This is because the higher angle has richer noise power as shaped by the $\Sigma\Delta$ modulator, which can naturally be used for probing purposes. In addition, it has been shown in [17], [18], [23] that the error feedback filter in the $\Sigma\Delta$ modulator can be customized to serve communication users beyond the broadside, such as $[20^\circ, 60^\circ]$. Nevertheless, we will use the above-mentioned basic first-order $\Sigma\Delta$ modulator for the paper's coherency.

V. NUMERICAL RESULTS

This section provides numerical results to evaluate the performance of the proposed scheme. Some settings are described as follows. The BS is a ULA with $N = 256$ antennas, and the inter-antenna spacing is set as $d = \lambda/8$. In all test cases, the transmitted signal has amplitude < 1 in both real and imaginary parts. For the beampattern synthesis aspects, the angular domain $[-90^\circ, 90^\circ]$ is uniformly sampled with 0.5° step size. The mainlobe is set as $\Theta_M = [55^\circ, 65^\circ]$, which means that the center angle is $\theta_0 = 60^\circ$. The mainlobe ripple tolerance is $\epsilon = 0.1$. The sidelobe is set as $\Theta_S = [-90^\circ, 50^\circ] \cup [70^\circ, 90^\circ]$. For communication aspects, the number of downlink users is $K = 6$, and the multi-path number is $J = 4$. The symbol stream is drawn from the 4-QAM constellation set. The user angles $\theta_{k,j}$'s are uniformly drawn from the sector $[-20^\circ, 20^\circ]$, and they are separated from each other by at least 0.5° . The phase of $\alpha_{k,j}$ is randomly drawn from $[-\pi, \pi]$, and its magnitude is generated by $|\alpha_{k,j}| = r_0/r_1$, where $r_0 = 10$ and $r_1 \in [20, 100]$. The block length is set to $L = 300$. The reported results were obtained by Monte-Carlo simulations with 1000 trials.

We test the proposed $\Sigma\Delta$ -DFRC scheme with different communication-to-radar trade-off factors δ . Figure 3 shows the beampattern and the bit error rate curves of the proposed scheme. We also benchmark our scheme with the unquantized DFRC waveform design in [29] and with its direct one-bit quantized counterpart. The results for $\delta = 0.1$, $\delta = 0.5$ and $\delta = 0.9$ are captured in Figs. (3a)–(3b), (3c)–(3d), and (3e)–(3f), respectively.

Consider the transmitted beampatterns in Figs. (3a), (3c), and (3e). We use magenta lines to indicate the user angle region, and black dashed lines to indicate the mainlobe. We see that all the beampatterns have a strong spike over the mainlobe $[55^\circ, 65^\circ]$. We observe that when δ is large, there is an increasing energy level within the communication user angle region. We also see that the proposed $\Sigma\Delta$ scheme is closer to the radar-only waveform than the direct quantization

	$\delta = 0.1$	$\delta = 0.5$	$\delta = 0.9$
unquant.	12.8889	32.8019	39.5047
direct quant.	75.9298	74.9555	73.7323
$\Sigma\Delta$ quant.	47.5657	48.1901	48.9220

TABLE I: MSE (in dB) between the DFRC beampatterns and the radar-only beampattern.

scheme. To give the reader more quantitative results, Table I shows the mean squared error (MSE in dB) between the DFRC beampattern and the radar-only beampattern. We see that the proposed $\Sigma\Delta$ scheme gives a smaller MSE than direct quantization in all settings.

Next, we evaluate the precoding performance by examining the bit error rates. The results are illustrated in Figs. (3b), (3d), and (3f). In all test cases, we see that the unquantized scheme performs the best in the high SNR region; and that the direct quantized scheme failed to suppress the bit error rate curve. Also, the proposed $\Sigma\Delta$ scheme works as expected. Despite being a one-bit signal, it loses only a few dB from the unquantized benchmark, except for the error flooring effect in the high SNR region.

VI. CONCLUSIONS

This paper presents a $\Sigma\Delta$ modulation scheme for one-bit DFRC signal design. Under some operational conditions, we leverage the $\Sigma\Delta$ noise-shaping property to turn the unwanted quantization noise into part of the useful radar probing signal. The pre- $\Sigma\Delta$ modulated signal matrix design is formulated as a constrained least square problem, which can be efficiently solved. Our numerical result shows that the proposed one-bit $\Sigma\Delta$ -DFRC scheme performs well in both radar probing and MIMO precoding.

REFERENCES

- [1] F. Liu, C. Masouros, A. Li *et al.*, "MU-MIMO communications with MIMO radar: From co-existence to joint transmission," *IEEE Trans. Wireless Commun.*, vol. 17, no. 4, pp. 2755–2770, 2018.
- [2] J. A. Zhang, F. Liu, C. Masouros *et al.*, "An overview of signal processing techniques for joint communication and radar sensing," *IEEE J. Sel. Top. Signal Process.*, vol. 15, no. 6, pp. 1295–1315, 2021.
- [3] F. Liu, Y. Cui, C. Masouros *et al.*, "Integrated sensing and communications: Toward dual-functional wireless networks for 6G and beyond," *IEEE J. Sel. Areas Commun.*, vol. 40, no. 6, pp. 1728–1767, 2022.
- [4] H. Wang, J. T. Johnson, and C. J. Baker, "Spectrum sharing between communications and atc radar systems," *IET Radar, Sonar & Navigation*, vol. 11, no. 6, pp. 994–1001, 2017.
- [5] L. Zheng, M. Lops, Y. C. Eldar, and X. Wang, "Radar and communication coexistence: An overview: A review of recent methods," *IEEE Signal Process. Mag.*, vol. 36, no. 5, pp. 85–99, 2019.
- [6] F. Liu, L. Zhou, C. Masouros *et al.*, "Toward dual-functional radar-communication systems: Optimal waveform design," *IEEE Trans. Signal Process.*, vol. 66, no. 16, pp. 4264–4279, 2018.
- [7] F. Liu, Y.-F. Liu, A. Li *et al.*, "Cramér-rao bound optimization for joint radar-communication beamforming," *IEEE Trans. Signal Process.*, vol. 70, pp. 240–253, 2022.
- [8] A. Li, C. Masouros, F. Liu, and A. L. Swindlehurst, "Massive MIMO 1-bit DAC transmission: A low-complexity symbol scaling approach," *IEEE Trans. Wireless Commun.*, vol. 17, no. 11, pp. 7559–7575, 2018.
- [9] F. Sahrabi, Y.-F. Liu, and W. Yu, "One-bit precoding and constellation range design for massive MIMO with QAM signaling," *IEEE J. Sel. Top. Signal Process.*, vol. 12, no. 3, pp. 557–570, 2018.

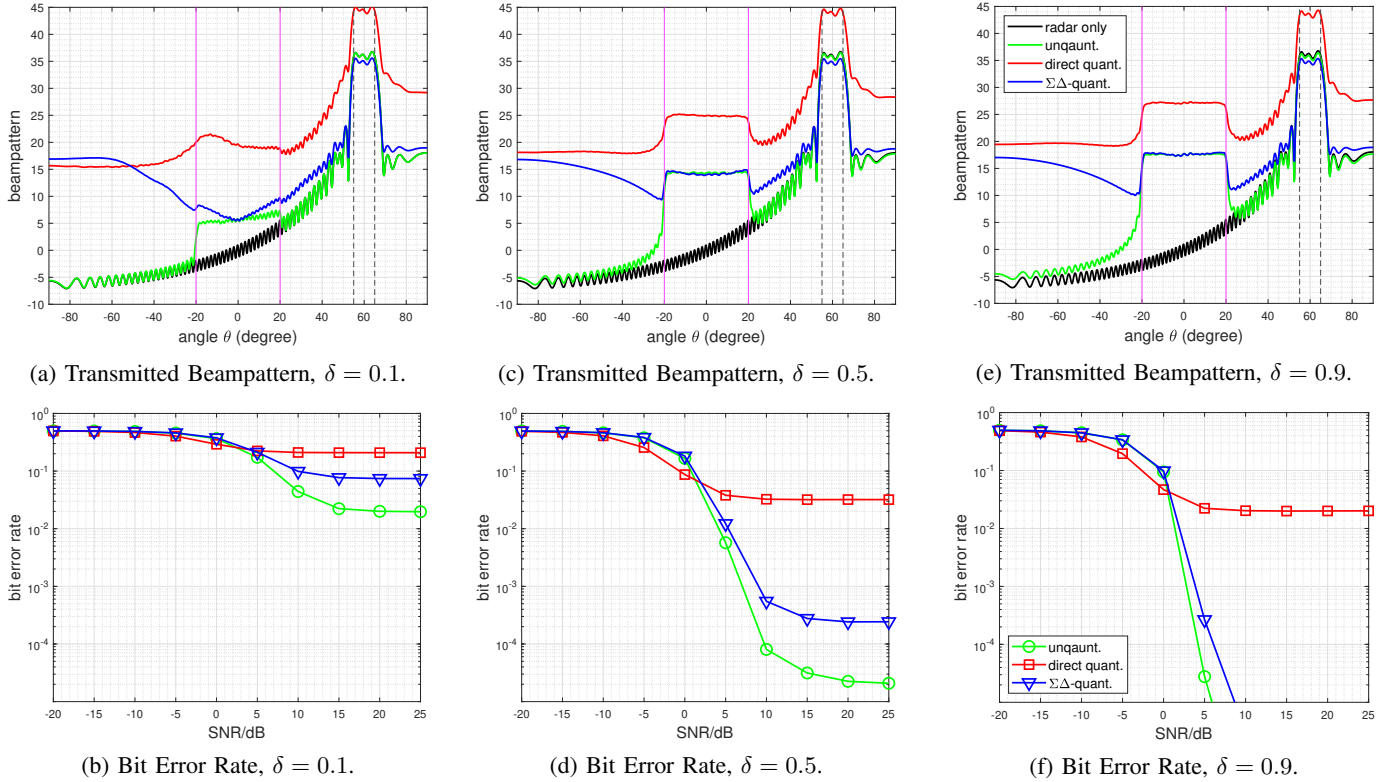


Fig. 3: Performances of the proposed DFRC signal design scheme. “radar only”: The unquantized radar only signal \mathbf{X}_R , “unquant.”: The unquantized benchmark, “direct quant.”: The direct 1-bit quantization of unquant., “ $\Sigma\Delta$ -quant.”: The proposed $\Sigma\Delta$ modulation scheme.

- [10] M. Shao, Q. Li, W.-K. Ma, and A. M.-C. So, “A framework for one-bit and constant-envelope precoding over multiuser massive MISO channels,” *IEEE Trans. Signal Process.*, vol. 67, no. 20, pp. 5309–5324, 2019.
- [11] Z. Cheng, S. Shi, Z. He, and B. Liao, “Transmit sequence design for dual-function radar-communication system with one-bit DACs,” *IEEE Trans. Wireless Commun.*, vol. 20, no. 9, pp. 5846–5860, 2021.
- [12] J. Yan and J. Zheng, “Transmit signal design of MIMO dual-function radar communication with 1-bit DACs,” in *IEEE Int. Workshop Signal Process. Adv. in Wireless Commun. (SPAWC)*, 2022, pp. 1–5.
- [13] X. Yu, Q. Yang, Z. Xiao *et al.*, “A precoding approach for dual-functional radar-communication system with one-bit DACs,” *IEEE J. Sel. Areas in Commun.*, vol. 40, no. 6, pp. 1965–1977, 2022.
- [14] Z. Wu, W.-K. Chen, Y.-F. Liu, and C. Masouros, “CI-based QoS-constrained transmit signal design for DFRC systems with one-bit DACs,” in *IEEE Sensor Array and Multichannel Signal Process. Workshop (SAM)*, 2024, pp. 1–5.
- [15] Y. Li, C. Tao, A. L. Swindlehurst *et al.*, “Downlink achievable rate analysis in massive MIMO systems with one-bit DACs,” *IEEE Commun. Lett.*, vol. 21, no. 7, pp. 1669–1672, 2017.
- [16] A. K. Saxena, I. Fijalkow, and A. L. Swindlehurst, “Analysis of one-bit quantized precoding for the multiuser massive MIMO downlink,” *IEEE Trans. Signal Process.*, vol. 65, no. 17, pp. 4624–4634, 2017.
- [17] M. Shao, W.-K. Ma, Q. Li, and A. L. Swindlehurst, “One-bit Sigma-Delta MIMO precoding,” *IEEE J. of Sel. Top. Signal Process.*, vol. 13, no. 5, pp. 1046–1061, 2019.
- [18] W.-Y. Keung and W.-K. Ma, “Spatial Sigma-Delta modulation for coarsely quantized massive MIMO downlink: Flexible designs by convex optimization,” *IEEE Open J. Signal Process.*, vol. 5, pp. 520–538, 2024.
- [19] P. Aziz, H. Sorensen, and J. van der Spiegel, “An overview of Sigma-Delta converters,” *IEEE Signal Process. Mag.*, vol. 13, no. 1, pp. 61–84, 1996.
- [20] T.-V. Nguyen, S. Nassirpour, I. Atzeni *et al.*, “MIMO detection with spatial Sigma-Delta ADCs: A variational Bayesian approach,” *arXiv preprint arXiv: 2410.03891*, 2024.
- [21] R. P. Sankar and S. P. Chepuri, “Channel estimation in MIMO systems with one-bit spatial Sigma-Delta ADCs,” *IEEE Trans. Signal Process.*, vol. 70, pp. 4681–4696, 2022.
- [22] Y. Liu, M. Shao, and W.-K. Ma, “A spatial Sigma-Delta approach to mitigation of power amplifier distortions in massive MIMO downlink,” *arXiv preprint arXiv: 2309.00289*, 2023.
- [23] W.-Y. Keung, H.-V. Cheng, and W.-K. Ma, “Transmitting data through reconfigurable intelligent surface: A spatial Sigma-Delta modulation approach,” in *Proc. IEEE Int. Conf. Acous., Speech, Signal Process.*, 2024, pp. 9251–9255.
- [24] P. Stoica, J. Li, and Y. Xie, “On probing signal design for MIMO radar,” *IEEE Trans. Signal Process.*, vol. 55, no. 8, pp. 4151–4161, 2007.
- [25] P. Stoica, J. Li, and X. Zhu, “Waveform synthesis for diversity-based transmit beampattern design,” *IEEE Trans. Signal Process.*, vol. 56, no. 6, pp. 2593–2598, 2008.
- [26] J. G. Proakis and D. G. Manolakis, *Digital signal processing: principles, algorithms, and applications*, 3rd ed. Upper Saddle River, N.J: Prentice Hall, 1996.
- [27] M. Grant and S. Boyd, “CVX: Matlab software for disciplined convex programming, version 2.1,” <http://cvxr.com/cvx>, Mar. 2014.
- [28] G. Golub and C. Van Loan, *Matrix Computations*. Johns Hopkins University Press, 2013.
- [29] T. Xu, F. Liu, C. Masouros, and I. Darwazeh, “An experimental proof of concept for integrated sensing and communications waveform design,” *IEEE Open J. Commun. Soc.*, vol. 3, pp. 1643–1655, 2022.