

GRAPHMOE: Amplifying Cognitive Depth of Mixture-of-Experts Network via Introducing Self-Rethinking Mechanism

Chen Tang^{1†}, Bo Lv^{2†}, Zifan Zheng^{1,6†}, Bohao Yang³, Kun Zhao⁴, Ning Liao¹, Xiaoxing Wang¹, Feiyu Xiong¹, Zhiyu Li¹, Nayu Liu^{2*} and Jingchi Jiang^{5*}

¹Institute for Advanced Algorithms Research, Shanghai

²Institute of Computing Technology, Chinese Academy of Sciences

³The University of Manchester, ⁴The University of Pittsburgh

⁵National Key Laboratory of Smart Farm Technologies and Systems, Harbin Institute of Technology, ⁶University of Sydney

travistang@foxmail.com

Abstract

Traditional Mixture-of-Experts (MoE) networks benefit from utilizing multiple smaller expert models as opposed to a single large network. However, these experts typically operate independently, leaving a question open about whether interconnecting these models could enhance the performance of MoE networks. In response, we introduce GRAPHMOE, a novel method aimed at augmenting the cognitive depth of language models via a self-rethinking mechanism constructed on Pseudo Graph MoE networks. GRAPHMOE employs a recurrent routing strategy to simulate iterative thinking steps, thereby facilitating the flow of information among expert nodes. We implement the GRAPHMOE architecture using Low-Rank Adaptation techniques (LoRA) and conduct extensive experiments on various benchmark datasets. The experimental results reveal that GRAPHMOE outperforms other LoRA based models, achieving state-of-the-art (SOTA) performance. Additionally, this study explores a novel recurrent routing strategy that may inspire further advancements in enhancing the reasoning capabilities of language models.

1 Introduction

Large Language Models (LLMs), exemplified by the GPT series, have dramatically advanced the field of Natural Language Processing (NLP), demonstrating exceptional performance across a variety of tasks including commonsense reasoning (Yang et al., 2024), creative generation (Loakman et al., 2023), dialogue generation (Lv et al., 2024; Zhao et al., 2023, 2024b), and summarization (Goldsack et al., 2023; Zhao et al., 2024a). In recent years, there has been a growing interest in refining LLM architectures to deliver

*Corresponding author.

†Equal contribution.

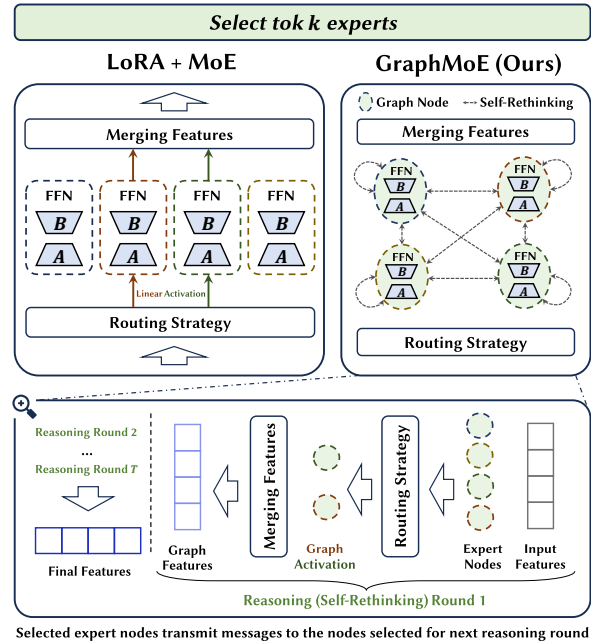


Figure 1: Comparison between LoRA+MoE and GRAPHMOE architectures.

superior performance with reduced parameters and lower GPU memory consumption (Tang et al., 2023). A prominent strategy in this endeavor is the Mixture-of-Experts (MoE) architecture (Cai et al., 2024), which pre-trains multiple Feed-Forward Networks (FFNs) as specialized experts, activating a select few during inference. This strategy allows experts to operate optimally within their domains of expertise, providing enhanced performance compared to LLMs with a similar number of activated parameters.

However, expert models are employed independently through a linear routing strategy. Given that these models are optimized for distinct input distributions, we hypothesize that fostering collaboration among expert models akin to connected nodes in a graph network may further exploit their problem-solving capabilities. Inspired by the knowledge aggregation on pseudo graph (Tang

et al., 2023), we propose employing a recurrent routing strategy wherein expert models function as graph nodes. We posit that with increased graphical message transmission between expert nodes, these models can progressively narrow the semantic gap between the MoE model outputs and human references. Thus, we introduce GRAPHMOE (Graph Mixture of Experts), a pioneering approach aimed at deepening the cognitive capabilities of language models by integrating a self-rethinking mechanism into constructed pseudo-graph MoE networks. This methodology may bolster the reasoning capabilities of LLMs by enabling incremental problem-solving, akin to the Chain-of-Thoughts (CoT) strategy.

GRAPHMOE emulates human-like iterative reasoning by allowing the model to continuously revisit and refine its comprehension of input data through multiple reasoning cycles. This is accomplished by implementing a recurrent routing strategy on a pseudo-graph formed by expert models. These models transmit their outputs as signals for selecting subsequent expert batches and as inputs encapsulating aggregated graph features from prior reasoning rounds—a mechanism we term the “self-rethinking mechanism”. Given the challenges inherent in pre-training a MoE LLM from scratch, we chose to implement the GRAPHMOE architecture utilizing Low-Rank Adaptation (LoRA) techniques¹, enabling evaluation of GRAPHMOE via Supervised Fine-Tuning (SFT) across several benchmarks.

In Figure 1, we present a comprehensive illustration of GRAPHMOE(LoRA) and conduct a comparative analysis with the traditional LoRA+MoE framework. In the conventional LoRA+MoE approach, the features of activated expert models are integrated directly. This process renders other inactive expert models non-contributory to problem-solving, particularly when the model tends to consistently select a specific set of expert models, as evidenced by low workload balancing. In contrast, GRAPHMOE(LoRA) conceptualizes expert nodes as graph nodes, enabling message transmission across these interconnected nodes through graph activation over multiple reasoning rounds. This approach maintains the reduced memory usage characteristic of conventional LoRA+MoE models (with same activation number of expert models in each cycle) while increasing computational iterations. Our experimental results confirm the effectiveness of

¹As stated in §2.1, LoRA introduces a set of additional, small-scale training parameters to fine-tune a LLM for a downstream task, while keeping most of the LLM’s original parameters frozen.

GRAPHMOE, demonstrating its superior performance compared to other LoRA baselines and achieving state-of-the-art (SOTA) results.

The main contributions of this work are as follows:

- To the best of our knowledge, this research represents the first attempt to introduce a “self-rethinking mechanism”, aiming to enable neural networks to emulate a human-like iterative reasoning process. This mechanism enhances the capability of MoE networks to engage in complex cognitive functions.
- We propose a novel pseudo-graph-based MoE architecture designed to facilitate the flow of information between expert nodes, thereby improving representation learning and enhancing the performance of LLMs.
- Comprehensive experiments have been conducted to validate the effectiveness of the proposed method. These experiments highlight the method’s efficacy in augmenting the cognitive depth of language models.
- We investigate the potential of the “self-rethinking mechanism” in improving LLMs and identify key factors that contribute to enhancing their reasoning abilities, offering valuable insights for future research.

2 Related Work

2.1 Parameter-Efficient Fine-Tuning (PEFT)

LLMs have demonstrated remarkable improvements in general natural language understanding (NLU) and natural language generation (NLG) tasks (Guo et al., 2023; Chang et al., 2024; Tang, 2024). However, their performance often suffers from limited generalization and effectiveness in domain-specific applications. To address this, numerous studies have proposed Parameter-Efficient Fine-Tuning (PEFT) methods, which optimize only a small subset of LLM parameters, significantly reducing computational overhead.

One of the most popular PEFT methods is Low-Rank Adaptation (LoRA) (Hu et al., 2021a), which introduces two low-rank matrices to each weight matrix \mathbf{W} in LLMs. The product of these matrices represents the weight adjustment $\Delta\mathbf{W}$. Building upon LoRA, subsequent works have introduced more efficient variants, such as VeRa (Kopiczko et al., 2023), AdaLoRA (Zhang et al., 2023), DoRA (Liu et al., 2024), and MoSLoRA (Wu et al., 2024b). These

methods aim to better capture task-specific features and integrate diverse feature subspaces effectively.

2.2 Transformer & Recurrent Models

The self-attention mechanism, as a fundamental algorithm within Transformers (Vaswani, 2017), facilitates parallel sequence processing and enhances model capacity through increased width. However, it lacks the temporal reasoning capabilities inherent in recurrent architectures, which contribute to model depth, such as Long Short-Term Memory (LSTM) networks (Hochreiter, 1997) and Gated Recurrent Units (GRUs) (Chung et al., 2014). To address this limitation, recent research has investigated integrating Transformer architectures with recurrent structures (Peng et al., 2023; Pramanik et al., 2023; Zhang et al., 2024; Tang, 2024). These efforts aim to blend recurrent neural network capabilities with the ability to capture long-distance dependencies. In this study, we likewise endeavor to incorporate a recurrent mechanism to model multiple expert systems. However, rather than focusing on capturing long-distance dependencies, our primary objective is to emulate the stepwise cognitive processes characteristic of human cognition. To achieve this, we employ GRUs to augment reasoning depth by aggregating hidden representations from attention features at each stage of the recurrent routing process. This integration is designed to enhance the model’s proficiency in apprehending complex dependencies and thereby improve its overall reasoning capabilities.

2.3 Mixture of Experts (MoE)

The concept of Mixture of Experts (MoE) was first introduced by Jacobs et al. (1991), who proposed training multiple networks (experts) on different subsets of data and aggregating their outputs. Recently, as LLMs have become a focal point of research, MoE layers have been integrated into Transformer-based architectures. Specifically, researchers have replaced standard Feed-Forward Networks (FFNs) with sparse MoE layers, employing novel routing strategies (Zuo et al., 2021; Zhong et al., 2024; Wu et al., 2024a; Muqeeth et al., 2023; Fu et al., 2024) and advanced expert segmentation techniques (Dai et al., 2024; He, 2024; Jiang et al., 2024; Xiao et al., 2024).

Numerous studies have investigated the application of Parameter-Efficient Fine-Tuning (PEFT) methods to introduce additional trainable parameters for implementing pseudo MoE structures within LLMs (Dou et al., 2024; Luo et al., 2024; Gao et al., 2024; Li et al., 2024; Gou et al., 2023). These models expand the conventional single feed-forward network (FFN)

architecture and its corresponding representation space into multiple subspaces, thereby effectively emulating the behavior of MoE architectures. Prominent examples include MoLA (Gao et al., 2024), LoRAMoE (Dou et al., 2024), and MixLoRA (Li et al., 2024), all of which have demonstrated SOTA performance relative to other PEFT-based methods across various benchmarks. In this study, we augment MoE architectures by enhancing their reasoning depth and demonstrate the efficacy of our novel architecture when integrated with PEFT-based LLM baselines.

3 Method

In this section, we present the construction of the pseudo-graph network of MoE model designed to interconnect expert models as graph nodes, facilitating information exchange among these models in a manner akin to the human brain. In this analogy, different neurons are responsible for specific abilities and collaborate through signal transmission across synapses. We apply our GRAPHMOE methodology to additional LoRA networks, and introduce our approach in three distinct subsections: §3.1 MoE Transformation, §3.2 Pseudo Reasoning Graph Construction, and §3.3 GRAPHMOE Training.

3.1 MoE Transformation

Incorporating multiple expert models into LoRA layers, inspired by the work of Li et al. (2024) and Dou et al. (2024), the standard Feed-Forward Networks (FFNs) can be converted into MoE structures comprising n experts, denoted as $\{E_i\}_{i=1}^n$. As illustrated in the bottom-right corner of Figure 2, for the ℓ -th layer of the LLM ($1 \leq \ell \leq L$), we freeze the original FFN parameters and train three pairs of low-rank matrices for each expert: $\mathbf{A}_{\text{Down}_i}^\ell \in \mathbb{R}^{r \times d_1}$, $\mathbf{B}_{\text{Down}_i}^\ell \in \mathbb{R}^{d_2 \times r}$, $\mathbf{A}_{\text{Gate}_i}^\ell$, $\mathbf{B}_{\text{Gate}_i}^\ell$, $\mathbf{A}_{\text{Up}_i}^\ell$, and $\mathbf{B}_{\text{Up}_i}^\ell$. Here, i represents the i -th expert, and d_1, d_2 are the dimensions of the corresponding weight matrices $\mathbf{W}_{\text{Down}_i}^\ell \in \mathbb{R}^{d_2 \times d_1}$, with other dimensions defined similarly. Each expert $E_i(\cdot)$ is constructed as a fusion of the original FFN and trainable low-rank matrices, as shown in Equations 1 and 2, where $\sigma(\cdot)$ denotes activation functions (e.g., SiLU, ReLU), and \odot denotes element-wise multiplication.

$$E_i^\ell(\mathbf{x}) = \tilde{\mathbf{W}}_{\text{Down}_i}^\ell \left(\sigma(\tilde{\mathbf{W}}_{\text{Gate}_i}^\ell \mathbf{x}) \odot (\tilde{\mathbf{W}}_{\text{Up}_i}^\ell \mathbf{x}) \right) \quad (1)$$

$$\begin{aligned} \tilde{\mathbf{W}}_{\text{Gate}_i}^\ell &= \mathbf{W}_{\text{Gate}_i}^\ell + \mathbf{B}_{\text{Gate}_i}^\ell \cdot \mathbf{A}_{\text{Gate}_i}^\ell \\ \tilde{\mathbf{W}}_{\text{Down}_i}^\ell &= \mathbf{W}_{\text{Down}_i}^\ell + \mathbf{B}_{\text{Down}_i}^\ell \cdot \mathbf{A}_{\text{Down}_i}^\ell \\ \tilde{\mathbf{W}}_{\text{Up}_i}^\ell &= \mathbf{W}_{\text{Up}_i}^\ell + \mathbf{B}_{\text{Up}_i}^\ell \cdot \mathbf{A}_{\text{Up}_i}^\ell \end{aligned} \quad (2)$$

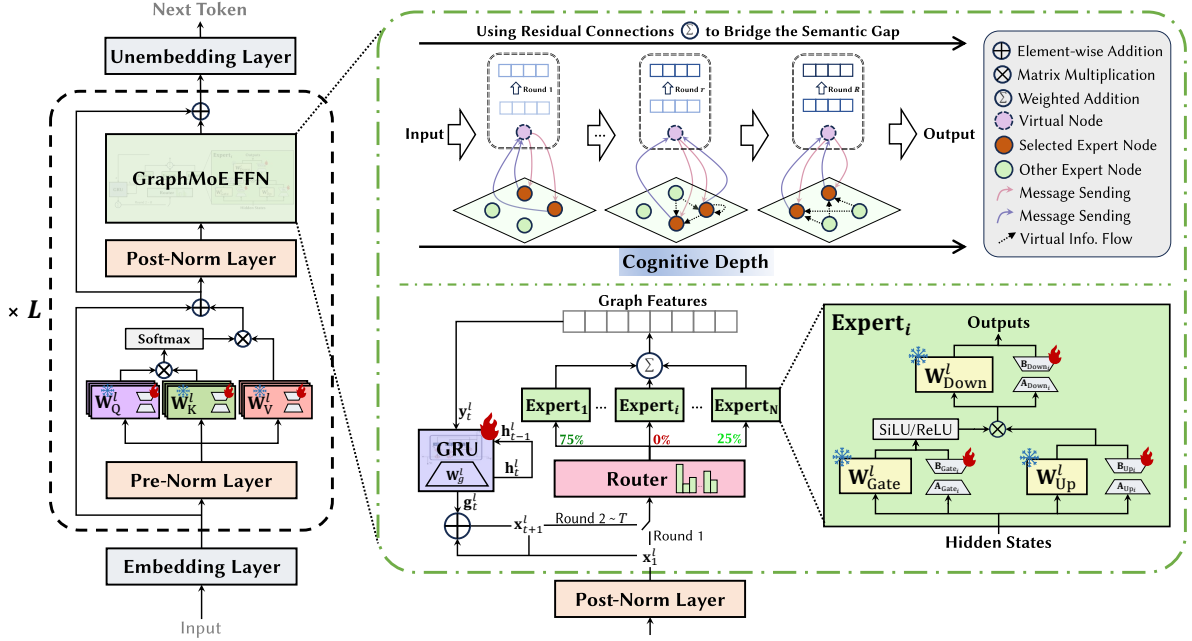


Figure 2: Overview of GRAPHMOE architecture.

Additionally, we introduce a trainable linear layer $\mathbf{R}^\ell \in \mathbb{R}^{n \times d}$, referred to as the Router, where n denotes the total number of experts, and d represents the dimension of the hidden state. The Router determines the importance of each expert during forward propagation by computing a relevance score for every expert. Based on the Router’s output, we select the top k experts and normalize their corresponding weights to ensure effective routing, as described in Equations 3 and 4.

$$\hat{\mathbf{s}}^\ell = \text{Softmax}(\mathbf{R}^\ell \cdot \mathbf{x}) \quad (3)$$

$$\begin{aligned} \mathbf{s}^\ell &= \text{Top-}k(\hat{\mathbf{s}}^\ell) \\ &= \begin{cases} \hat{\mathbf{s}}^\ell[i], & \text{if } \hat{\mathbf{s}}^\ell[i] \text{ is in the top } k, \\ 0, & \text{otherwise.} \end{cases} \end{aligned} \quad (4)$$

Finally, as shown in Equation 5, the output of the MoE module is computed as a weighted sum of the selected experts. This result replaces the original output of the vanilla FFN module.

$$\mathbf{y}^\ell = \text{MoE}(\mathbf{x}) = \sum_{i=1}^n \mathbf{s}^\ell[i] \cdot E_i^\ell(\mathbf{x}) \quad (5)$$

3.2 Pseudo Reasoning Graph Construction

The development of the pseudo reasoning graph represents a pivotal step in implementing our proposed self-rethinking mechanism, which is designed to enhance the internal consistency of LLMs (Liang et al., 2024). The pseudocode outlining the inference

process of GRAPHMOE is detailed in Algorithm 1. For clarity and conciseness, the terms Gate, Up, and Down in the subscripts are abbreviated as G , U , and D , respectively.

Initially, the pseudo graph is constructed as illustrated in the top right corner of Figure 2. Within this framework, expert models are represented as graph nodes, each functioning according to the procedure described in §3.1. A distinctive virtual node is simultaneously established alongside these expert model graph nodes. Unlike other nodes, the virtual node is characterized by a graph feature vector and a GRU module. This node serves as a recurrent router, acting as a conduit for expert node connectivity and a layer for forward feature aggregation.

In contrast to conventional knowledge graphs, there is no prior knowledge that defines the edges between nodes. Instead, the edges connecting graph nodes are dynamically generated at each reasoning round, denoted as t , with the virtual node serving as the intermediary, as indicated by the black dashed arrows in Figure 2. This process facilitates the dynamical activation of temporal edges between nodes, enabling feature transformation across nodes and the newly created edges. Consequently, expert nodes at each reasoning round can communicate and collaborate to address the given task effectively.

Therefore, the core of this method lies in implementing the functionality of the virtual node. In this

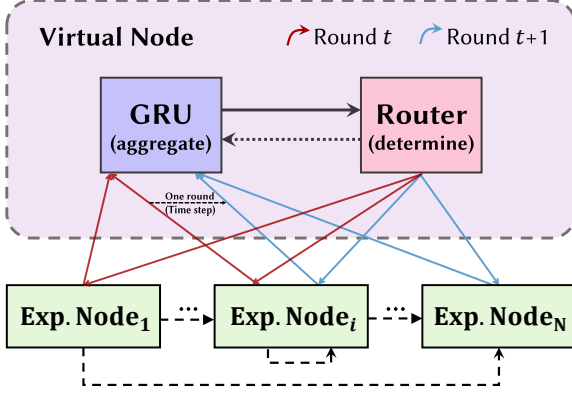


Figure 3: The mechanism how a virtual node collect and aggregate features from expert graph nodles.

work, we employ a Low-Rank Gated Recurrent Unit² (GRU) to serve as the virtual node. Specifically, we reduce the GRU’s hidden size to $\bar{d} \ll d$ and incorporate a low-rank linear layer to compute its output \mathbf{g}_t^ℓ . The virtual node integrates features from previous reasoning round and processes the expert results \mathbf{y}_t^ℓ , subsequently selecting k experts for the next round.

The reasoning (self-thinking) process involves a total of T rounds of MoE computations. The first round is processed as described in Equations 1-5. After obtaining the representation \mathbf{y}_t^ℓ from the MoE, it is fed into the Low-Rank GRU along with the hidden state \mathbf{h}_{t-1}^ℓ from the previous timestep (here, “round” and “timestep” are equivalent since there is only one step per round). A residual connection is applied by adding the result to the input of the previous round, \mathbf{x}_t^ℓ , to produce the input for the next round, \mathbf{x}_{t+1}^ℓ . This iterative process extracts meta-information for subsequent reasoning rounds, as shown in Equations 6-7.

$$\begin{aligned}
 \mathbf{z}_t^\ell &= \sigma\left(\mathbf{W}_z^\ell \cdot \left[\mathbf{h}_{t-1}^\ell, \mathbf{y}_t^\ell\right]\right), \mathbf{W}_z^\ell \in \mathbb{R}^{\bar{d} \times (\bar{d}+d)} \\
 \mathbf{r}_t^\ell &= \sigma\left(\mathbf{W}_r^\ell \cdot \left[\mathbf{h}_{t-1}^\ell, \mathbf{y}_t^\ell\right]\right), \mathbf{W}_r^\ell \in \mathbb{R}^{\bar{d} \times (\bar{d}+d)} \\
 \hat{\mathbf{h}}_t^\ell &= \sigma\left(\mathbf{W}_o^\ell \cdot \left[\mathbf{r}_t^\ell \odot \mathbf{h}_{t-1}^\ell, \mathbf{y}_t^\ell\right] + \mathbf{b}_o^\ell\right) \\
 \mathbf{h}_t^\ell &= \left(\mathbf{1} - \mathbf{z}_t^\ell\right) \odot \mathbf{h}_{t-1}^\ell + \mathbf{z}_t^\ell \odot \hat{\mathbf{h}}_t^\ell
 \end{aligned} \tag{6}$$

$$\begin{aligned}
 \mathbf{g}_t^\ell &= \mathbf{W}_g^\ell \cdot \mathbf{h}_t^\ell, \mathbf{W}_g^\ell \in \mathbb{R}^{\bar{d} \times \bar{d}} \\
 \mathbf{x}_{t+1}^\ell &= \mathbf{x}_t^\ell + \mathbf{g}_t^\ell
 \end{aligned} \tag{7}$$

In a nutshell, from a model architecture standpoint, the GRU and the Router together form the aforementioned “virtual node”. Specifically, the GRU functions to aggregate information from multiple experts E_i , whereas the Router is responsible for determining

²Due to space constraints, we do not elaborate on the structure of the standard GRU (Chung et al., 2014) here.

which experts should receive the integrated information for further inference, as depicted in Figure 3.

Algorithm 1: GRAPHMOE at Layer ℓ

Input: $\mathbf{x}_1^\ell: (\mathbf{B}, \mathbf{P}, \mathbf{D})$ after the Post-Norm.
Output: $\mathbf{y}_T^\ell: (\mathbf{B}, \mathbf{P}, \mathbf{D})$ the hidden states.

```

1 /*  $\mathbf{B}$  for Batch Num,  $\mathbf{P}$  for Seq Len,  $\mathbf{D}$  for Dim */
2 /*  $\mathbf{D}'$  for Upper Dim,  $\bar{\mathbf{D}}$  for GRU Hidden Dim */
3 for  $t \leftarrow 1$  to  $T$  do
4   /* MoE Forward */
5    $\tilde{\mathbf{s}}_t^\ell: (\mathbf{B}, \mathbf{P}, \mathbf{N}) \leftarrow \text{Softmax}(\mathbf{R}^\ell * \mathbf{x}_t^\ell)$ ;
6    $\mathbf{s}_t^\ell: (\mathbf{B}, \mathbf{P}, \mathbf{N}) \leftarrow \text{Top-}k(\tilde{\mathbf{s}}_t^\ell)$ ;
7   for  $i$  in {selected experts  $E$ } do
8      $\tilde{\mathbf{W}}_{G_i}^\ell: (\mathbf{D}', \mathbf{D}) \leftarrow \mathbf{W}_{G_i}^\ell + \mathbf{B}_{G_i}^\ell * \mathbf{A}_{G_i}^\ell$ ;
9     Similarly, we can get  $\tilde{\mathbf{W}}_{U_i}^\ell$  and  $\mathbf{W}_{D_i}^\ell$ ;
10     $\hat{\mathbf{c}}_i^G: (\mathbf{B}, \mathbf{P}, \mathbf{D}') \leftarrow \tilde{\mathbf{W}}_{G_i}^\ell * \mathbf{x}_t^\ell$ ;
11     $\hat{\mathbf{c}}_i^U: (\mathbf{B}, \mathbf{P}, \mathbf{D}') \leftarrow \tilde{\mathbf{W}}_{U_i}^\ell * \mathbf{x}_t^\ell$ ;
12     $\hat{\mathbf{c}}_i: (\mathbf{B}, \mathbf{P}, \mathbf{D}') \leftarrow \sigma(\hat{\mathbf{c}}_i^G) \odot \hat{\mathbf{c}}_i^U$ ;
13     $\mathbf{c}_i: (\mathbf{B}, \mathbf{P}, \mathbf{D}) \leftarrow \tilde{\mathbf{W}}_{D_i}^\ell * \hat{\mathbf{c}}_i$ ;
14     $\mathbf{y}_t^\ell: (\mathbf{B}, \mathbf{P}, \mathbf{D}) \leftarrow \mathbf{y}_t^\ell + \mathbf{s}_t^\ell[:, i] \odot \mathbf{c}_i$ ;
15  /* Low-Rank GRU */
16  if  $t \neq T$  then
17     $\mathbf{z}_t^\ell: (\mathbf{B}, \mathbf{P}, \bar{\mathbf{D}}) \leftarrow \sigma(\mathbf{W}_z^\ell * [\mathbf{h}_{t-1}^\ell, \mathbf{y}_t^\ell])$ ;
18     $\mathbf{r}_t^\ell: (\mathbf{B}, \mathbf{P}, \bar{\mathbf{D}}) \leftarrow \sigma(\mathbf{W}_r^\ell * [\mathbf{h}_{t-1}^\ell, \mathbf{y}_t^\ell])$ ;
19     $\hat{\mathbf{h}}_t^\ell: (\mathbf{B}, \mathbf{P}, \bar{\mathbf{D}} + \mathbf{D}) \leftarrow [\mathbf{r}_t^\ell \odot \mathbf{h}_{t-1}^\ell, \mathbf{x}_t^\ell]$ ;
20     $\mathbf{h}_t^\ell: (\mathbf{B}, \mathbf{P}, \bar{\mathbf{D}}) \leftarrow \sigma(\mathbf{W}_o^\ell * \hat{\mathbf{h}}_t^\ell + \mathbf{b}_o^\ell)$ ;
21     $\mathbf{h}_t^\ell \leftarrow (\mathbf{1} - \mathbf{z}_t^\ell) \odot \mathbf{h}_{t-1}^\ell + \mathbf{z}_t^\ell \odot \mathbf{h}_t^\ell$ ;
22     $\mathbf{g}_t^\ell: (\mathbf{B}, \mathbf{P}, \mathbf{D}) \leftarrow \mathbf{W}_g^\ell \cdot \mathbf{h}_t^\ell$ ;
23    /* Residual Connection */
24     $\mathbf{x}_{t+1}^\ell: (\mathbf{B}, \mathbf{P}, \mathbf{D}) \leftarrow \mathbf{x}_t^\ell + \mathbf{g}_t^\ell$ ;
25 return  $\mathbf{y}_T^\ell: (\mathbf{B}, \mathbf{P}, \mathbf{D})$ ;

```

3.3 GRAPHMOE Training

Building upon the architecture introduced in §3.1 and §3.2, this section provides a detailed explanation of the training methodology for GRAPHMOE.

Trainable Components. As shown in Figure 2, the modules marked with a flame icon represent the trainable components in GRAPHMOE. Specifically, we need to train $3 \cdot L \cdot n$ pairs of low-rank adapters applied to the MoE modules, as well as a single linear layer serving as the Router. Additionally, in each decoder layer, the Low-Rank GRU module requires training 4 linear layers: \mathbf{W}_z^ℓ , \mathbf{W}_r^ℓ , \mathbf{W}_o^ℓ , and \mathbf{W}_g^ℓ .

Inspired by Li et al. (2024), we also enhance the attention module by adding 4 pairs of trainable low-rank matrices to each decoder layer. These matrices are

applied to the attention components $\mathbf{Q}_h^\ell, \mathbf{K}_h^\ell, \mathbf{V}_h^\ell \in \mathbb{R}^{d \times \frac{d}{H}}$, and $\mathbf{O}_h^\ell \in \mathbb{R}^{\frac{d}{H} \times d}$, where h and H represent the h -th attention head and the total number of heads, respectively. This enhances the adaptability of certain attention heads to specific tasks (Zheng et al., 2024).

In summary, as shown in Table 1, GRAPHMOE training involves a total of $(3n + 4) \cdot L$ pairs of low-rank adapters and $4 \cdot L$ linear layers.

Component	Attention Head	MoE	GRU	Total
Low-rank adapters	$4 \cdot L$	$3 \cdot L \cdot n$	0	$(3n+4) \cdot L$
Linear layers	0	0	$4 \cdot L$	$4 \cdot L$

Table 1: Summary of components to be trained.

Loss Design. Similar to standard continual learning (Wu et al., 2024c) and supervised fine-tuning (Patil and Gudivada, 2024), the primary objective during training is to minimize the cross-entropy loss \mathcal{L}_{CE} between the predicted token logits and the target tokens.

However, the Router is a unique and critical component of the MoE architecture, as it determines which experts are activated during inference. Prior research has shown that unconstrained Router training can lead to over-reliance on a few specific experts (Zoph et al., 2022; Fedus et al., 2022), resulting in poor load balancing. Inspired by the work of Shen et al. (2024) and Muennighoff et al. (2024), we introduce a **Load Balancing Loss** \mathcal{L}_{LB} (as defined in Equation 8) as an auxiliary objective. This loss penalizes the Router for disproportionately selecting the same experts across the sequence set \mathcal{M} , which consists of several sequences and the corresponding next tokens to be predicted.

$$\mathcal{L}_{LB} = n \cdot \sum_{i=1}^n f_i \cdot p_i,$$

$$\text{where } f_i = \frac{1}{|\mathcal{M}|} \sum_{(\mathbf{x}, \mathbf{y}) \in \mathcal{M}} \mathbb{1}_{\{\mathbf{s}_{\mathbf{x}}[i] > 0\}}, \quad (8)$$

$$p_i = \frac{1}{|\mathcal{M}|} \sum_{(\mathbf{x}, \mathbf{y}) \in \mathcal{M}} \mathbf{s}_{\mathbf{x}}[i]$$

Setting a hyperparameter λ , the total loss can be expressed as follows:

$$\mathcal{L}_{\text{total}} = \mathcal{L}_{CE} + \lambda \cdot \mathcal{L}_{LB} \quad (9)$$

4 Experiment

4.1 Experimental Settings

As there are multiple methodologies for applying MoE to LoRA layers, the aforementioned GRAPHMOE architecture is developed on the foundation

of existing LoRA combined with MoE base models, designated as GRAPHMOE(base model). In the GRAPHMOE(base model), the conventional MoE module is substituted with our proposed pseudo reasoning graph (PRG).

To evaluate GRAPHMOE, we select a diverse range of commonsense reasoning datasets that offer unique challenges across multiple task types. These include question-answer tasks such as ARC (Clark et al., 2018), OpenBookQA (Mihaylov et al., 2018), PIQA (Bisk et al., 2020), and SocialIQA (Sap et al., 2019), each designed to assess different aspects of commonsense and contextual reasoning. For classification, we use BoolQ (Clark et al., 2019), which tests the model’s ability to handle yes/no questions. Hellaswag (Zellers et al., 2019) is employed for science completion tasks, requiring selection of the most plausible outcomes from rich contextual setups. Winogrande (Sakaguchi et al., 2021) addresses fill-in-the-blank tasks, facilitating evaluation of nuanced language understanding through large-scale ambiguities.

These datasets collectively provide a platform for assessing our model’s accuracy and generalization across various reasoning aspects. Experiments are conducted using brain floating point 16-bit (BF16), as using full precise float 32 (FP32) results in experiments being over four times slower, which is unacceptable given our computing constraints.

4.2 Baselines

In our experimental setup, all baselines are evaluated by fine-tuning LLMs on datasets. This is achieved by keeping the parameters of the base language model frozen and training only the additional adapters. We use the LLaMA-3-8B model as our base language model throughout the experiments. To benchmark our proposed GRAPHMOE model, we chose to compare it against the traditional Low-Rank Adaptation (LoRA) (Hu et al., 2021b) approach, as well as three recently introduced SOTA LoRA+MoE methods: MoLA (Gao et al., 2024), LoRAMoE (Dou et al., 2024), and MixLoRA (Li et al., 2024). Considering Weight-Decomposed Low-Rank Adaptation (DoRA) (Liu et al., 2024) has been shown to effectively enhance the LoRA method, we also develop DoRA variants for each of these selected baseline models to benchmark against our method.

4.3 Evaluation Metrics

The evaluation of all methods was conducted using the accuracy metric across all datasets. In order to accurately extract the answers provided by LLMs for

Multiple-Choice Question-Answer (MCQA) tasks, we adopt the first-token evaluation approach, which captures the probabilities of each letter choice (Yu et al., 2024). In assessing the workload balance of expert models, we recorded the frequency of selection for each expert model during the evaluation phase and calculated their proportions of the total selections. For further insight, we introduced several indicating variables such as GRU hidden size scale (\bar{d}/d), parameter size (Param), and inference time (Infer Time). The GRU hidden size scale is determined by dividing the GRU hidden size by the dimension of the LLM model. Parameter size indicates the ratio of trainable parameters to the total number of parameters. Inference Time is defined as the ratio of inference time to the minimum value in a series of inference times.

4.4 Implementation Details

Our hyperparameters strictly follow the configurations detailed in (Li et al., 2024) including the LoRA and DoRA methods and their three MoE derivatives, e.g. MixLoRA or MixDoRA. We summarize the settings for LoRA/DoRA and their derivatives of MoE-based methods, as shown in Table 4.4. During evaluation, the batch size is set to 8.

Setting	LoRA/DoRA	MixLoRA/MixDoRA	GRAPHMOE
Cutoff Length		512	
Learning Rate		2e-4	
Optimizer		AdamW	
Batch Size		16	
Accumulation Steps		8	
Dropout Rate		0.05	
Training Epochs		2	
LoRA Rank (r)	80		16
LoRA Alpha (α)	160		32
Expert Number	-		8
Top- k	-		2
Targeted Parameters	$Q_h^\ell, K_h^\ell, V_h^\ell, O_h^\ell, W_{Gate}^\ell, W_{Up}^\ell, W_{Down}^\ell$		$Q_h^\ell, K_h^\ell, V_h^\ell, O_h^\ell, W_{Gate}^\ell, W_{Up}^\ell, W_{Down}^\ell, W_z^\ell, W_r^\ell, W_o^\ell, W_g^\ell$

Table 2: Training Settings for baselines and GRAPHMOE.

The experiments described in this paper required a single A800 GPU for at least one month. Including debugging and downtime, the entire process extended to around two months. The base model, LLaMA-8B, was obtained from the Huggingface repository “meta-llama/Meta-Llama-3-8B-Instruct”³.

In the following experiments utilizing the GRAPHMOE framework, three additional hyperparameters are configured as follows: (1) The number of iterations for applying the GRU gate within the recurrent routing, referred to as the reasoning (self-rethinking) round T ;

³<https://huggingface.co/meta-llama/Meta-Llama-3-8B-Instruct>

our GRAPHMOE models are configured with a default setting of 3. During the initial round, the outputs of expert models are obtained without the GRU gate’s feature transmission. (2) The GRU network is set to a single layer. (3) The GRU hidden size scale is predefined as 0.1×4096 , where 4096 represents the model dimension of the LLaMA-3-8B model. (4) The hyperparameter λ associated with the auxiliary load balance training loss \mathcal{L}_{LB} is configured to be 0.01.

5 Experimental Result

5.1 Evaluating the Performance of GRAPHMOE

As illustrated in Table 3, the implementation of GRAPHMOE, a pseudo graph-based MoE network incorporating a recurrent routing strategy, has resulted in a significant performance enhancement across all SOTA LoRA+MoE baselines. This underscores GRAPHMOE’s ability to boost performance by fostering improved collaboration among expert models, achieved solely by replacing the MoE module within different methods. The observed improvement stems from an optimized mechanism utilizing the expert models to learn the representations with the feature transmission among themselves.

The degree of enhancements varies across models, influenced by their specific base architectures. This variability is attributed to the integration level, or the combination mode, between the MoE and LoRA components, which can impact the parameter space for incremental learning and thereby modify the marginal benefits of GRAPHMOE. Specifically, as highlighted by Li et al. (2024), the MoLA and LoRAMoE configurations incorporate LoRA modules as expert models by integrating them with outputs from either the attention layers or feedforward network (FFN) layers—an approach termed the “Plugged-in” method. In contrast, MixLoRA employs a “fused” integration strategy, embedding the LoRA expert models directly within the original network layers. This design allows the LoRA experts to exert a more immediate and substantial influence on the conventional LLM components, resulting in the most significant enhancement of the original LoRA+MoE architecture.

As observed in Table 3, GRAPHMOE consistently exerts positive effects—or at least avoids significant negative impacts—on model accuracy across diverse tasks. In some instances, only one out of eight tasks shows a slight accuracy decrease of 0.1, and these instances occur with different tasks when applying GRAPHMOE to the three baselines⁴. This suggests

⁴This can be attributed to experimental error.

Method	ARC-E	ARC-C	BoolQ	OBQA	PIQA	SIQA	HellaS	WinoG	AVG.
MoLA	86.4	77.9	74.0	84.4	86.7	76.4	93.9	83.3	82.9
GRAPHMOE (MoLA)	89.7	81.0	75.8	87.6	87.8	79.7	95.5	83.2	85.0
Δ	3.3	3.1	1.8	3.2	1.1	3.3	1.6	-0.1	2.1
LoRAMoE	87.8	79.5	72.4	85.0	87.1	74.8	94.8	83.4	83.1
GRAPHMOE (LoRAMoE)	87.7	79.9	75.9	88.8	87.8	79.4	94.8	83.4	84.7
Δ	-0.1	0.4	3.5	3.8	0.7	4.6	0.0	0.0	1.6
MixLoRA	86.9	77.0	74.0	84.4	86.0	75.5	93.7	83.3	82.6
GRAPHMOE (MixLoRA)	89.2	80.9	75.8	89.6	87.8	77.0	95.4	83.2	84.9
Δ	2.3	3.9	1.8	5.2	1.8	1.5	1.7	-0.1	2.3

Table 3: Comparison of the performance between baseline LoRA+MoE models and GRAPHMOE (LoRA+MoE) models. GRAPHMOE (·) indicates that the conventional MoE module in the baseline has been substituted with the self-rethinking mechanism proposed in § 3.2. Scores highlighted in **bold** denote superior performance for each respective method. **Green** and **red** indicate increase and decrease in performance following the application of GRAPHMOE respectively.

that GRAPHMOE is robust and reliable in enhancing the performance of MoE architectures. Furthermore, when examining its impact on individual tasks, GRAPHMOE can lead to remarkable improvements; for instance, when applied to LoRAMoE, it boosts the performance on **SIQA** from 74.8 to 79.4, representing an increase of 4.6 (over 6%), which is particularly impressive for this task. This observation further underscores the effectiveness of the GRAPHMOE approach within this architectural framework.

5.2 Main Results

The experimental results are detailed in Table 4. Due to limitations in computational resources, the experiments conducted in this study employ reduced precision BF16 for both training and inference phases. However, we include the full precision results of MixLoRA as a reference for comparison. It is evident that all reproduced models experience a significant performance decline compared to their full precision counterparts. Nonetheless, our GRAPHMOE models with MixLoRA and MixDoRA as base models still achieve SOTA performance even compared to the full precision results. This substantial improvements compared to other SOTA LoRA+MoE models further demonstrate the effectiveness of the GRAPHMOE architecture.

Moreover, MixLoRA does not represent the optimal base model with the LoRA+MoE framework, as MoLA and LoRAMoE have better accuracy scores. This indicates that the performance gains achieved by GRAPHMOE surpass those of existing methodologies applied within the LoRA+MoE framework. The introduction of a self-rethinking mechanism is crucial in enhancing the representation learning capabilities inherent to the MoE approach and potentially even

language models more broadly. Furthermore, it can be observed that the enhancements afforded by our method are applicable to both LoRA and DoRA. This suggests that the improvements carried by the PRG are not merely a result of simple adjustments on additional trainable parameters, but rather arise from the effective collaboration among diverse expert models facilitated by our approach. This conclusion supports the assertion that the proposed GRAPHMOE framework is indeed effective and the self-rethinking mechanism holds great potential.

5.3 Analysis of Workload Balance

The primary distinction between MixLoRA and GRAPHMOE(MixLoRA) lies in the self-rethinking mechanism facilitated by the recurrent router. We conducted a further analysis of the impact of expert model selection at each routing stage. Figure 4 presents a comparative analysis of workload distribution among expert models within the frameworks of MixLoRA and GRAPHMOE(MixLoRA) across various tasks, highlighting the distribution patterns of expert selection. The findings indicate that the GRAPHMOE routing strategy enables a more balanced selection of expert models, as demonstrated by the standard deviation metrics of 0.0313 for MixLoRA and 0.0249 for GRAPHMOE(MixLoRA), representing a reduction of over 20% in standard deviations across 8 experts.

The aforementioned phenomenon suggests that multiple iterations of the reasoning process allow for a greater number of experts to be involved in addressing problems, thereby enhancing the effectiveness of MoE in representation learning. In each reasoning step, a distinct set of expert models is more likely to be activated to incrementally construct the representations within the MoE. This approach allows more expert

Method	Param	ARC-E	ARC-C	BoolQ	OBQA	PIQA	SIQA	HellaS	WinoG	AVG.
LoRA*	2.6%	89.0	75.7	67.2	85.0	80.7	78.3	74.2	75.3	78.2
DoRA*	2.6%	88.1	76.4	61.7	80.6	82.3	76.2	78.8	83.7	78.5
MixLoRA*	3.0%	86.5	79.9	75.0	84.8	87.6	78.8	93.3	82.1	83.5
MixDoRA*	3.0%	87.7	78.9	76.8	86.9	83.4	80.1	94.6	84.2	84.1
LoRA	2.6%	86.2	76.7	70.2	78.2	82.9	74.2	80.1	50.7	74.9
DoRA	2.6%	87.6	76.8	69.3	80.8	84.2	76.8	85.3	50.4	76.4
MoLA	2.7%	86.4	77.9	74.0	84.4	86.7	76.4	93.9	83.3	82.9
MoDA	2.7%	86.4	78.0	74.0	84.8	87.4	76.4	95.5	84.1	83.3
LoRAMoE	3.2%	87.8	79.5	72.4	85.0	87.1	74.8	94.8	83.4	83.1
DoRAMoE	3.2%	87.9	80.1	74.6	85.8	86.3	74.5	94.0	83.1	83.3
MixLoRA	3.0%	86.9	77.0	74.0	84.4	86.0	75.5	93.7	83.3	82.6
MixDoRA	3.0%	86.7	76.7	75.5	84.8	85.2	76.9	93.0	83.1	82.7
GRAPHMOE(MixLoRA)	5.9%	<u>89.2</u>	80.9	<u>75.8</u>	89.6	<u>87.8</u>	<u>77.0</u>	95.4	83.2	<u>84.9</u>
GRAPHMOE(MixDoRA)	5.9%	90.3	<u>80.6</u>	75.9	<u>88.2</u>	88.8	79.4	95.3	<u>83.7</u>	85.3

Table 4: Performance evaluation of LoRA-Based method SFT across various benchmarks. Results marked with an asterisk (*) are experimental data sourced from Li et al. (2024), conducted with full precision (FP32). All other results were obtained using BF16 precision. In the table, derivatives of baselines that employ the DoRA technique are indicated by replacing “L” with “D” in the original model name.

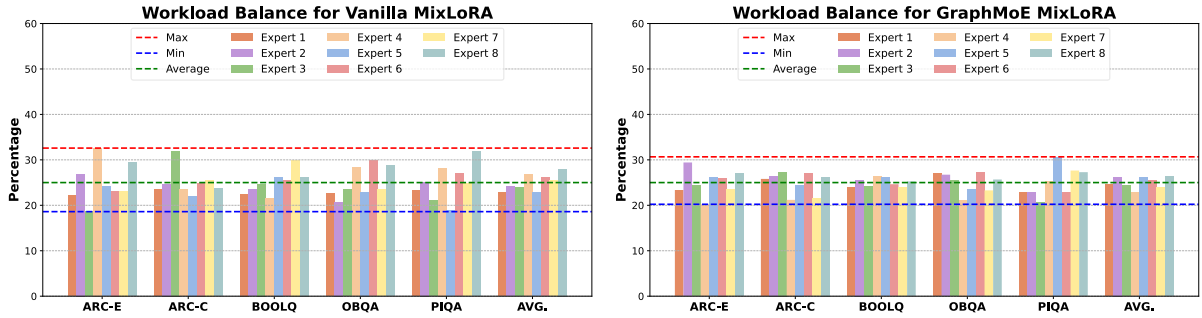


Figure 4: The workloads of all experts are shown by normalizing the selected time during every routing step. Red and blue dashed lines indicate the maximum and minimum workloads across all tasks, while the green dashed line shows the average workload. The MixLoRA model and the GRAPHMOE model have standard deviations of 0.0313 and 0.0215, respectively, in workload balance.

models to operate in their optimal conditions, sequentially addressing complex problems. It is as if a chain-of-thoughts (CoT) is implicitly formed, using different expert models to fit features at different stages.

5.4 Sensitivity Analysis and Overhead

Due to computational constraints, our sensitivity analysis was conducted exclusively on the ARC-E and ARC-C tasks, as these have the smallest dataset sizes. This choice allowed for significantly faster model execution compared to other tasks. The results are depicted in Figure 5. It is evident that the hyperparameters selected in previous experiments were not optimal, suggesting that GRAPHMOE could achieve greater improvements in base models with a better selection of hyperparameters. The primary objective of this sensitivity analysis is to provide insights into the efficacy of our self-rethinking mechanism.

In subfigure (a) of Figure 5, as the Reasoning Round T increases, both tasks exhibit an increase in accuracy, indicating that the self-rethinking mechanism indeed enhances the effectiveness of MoE by deepening its cognitive processing. However, accuracy significantly declines once T reaches a certain threshold, specifically $T=4$ for ARC-E and $T=3$ for ARC-C. We postulate that this decline is due to overfitting, implying that the model risks “overthinking” the problem. This is further evidenced by the ARC-C task in subfigure (b) of Figure 5, where an increase in the GRU hidden size does not guarantee improved performance. This phenomenon underscores the importance of the self-rethinking mechanism itself over the newly introduced trainable parameters of the GRU. In subfigure (c) of Figure 5, it is observed that, compared to conventional LoRA+MoE (MixLoRA in this experiment) models, which employ a single reasoning round, the increase in inference time for GRAPHMOE is only

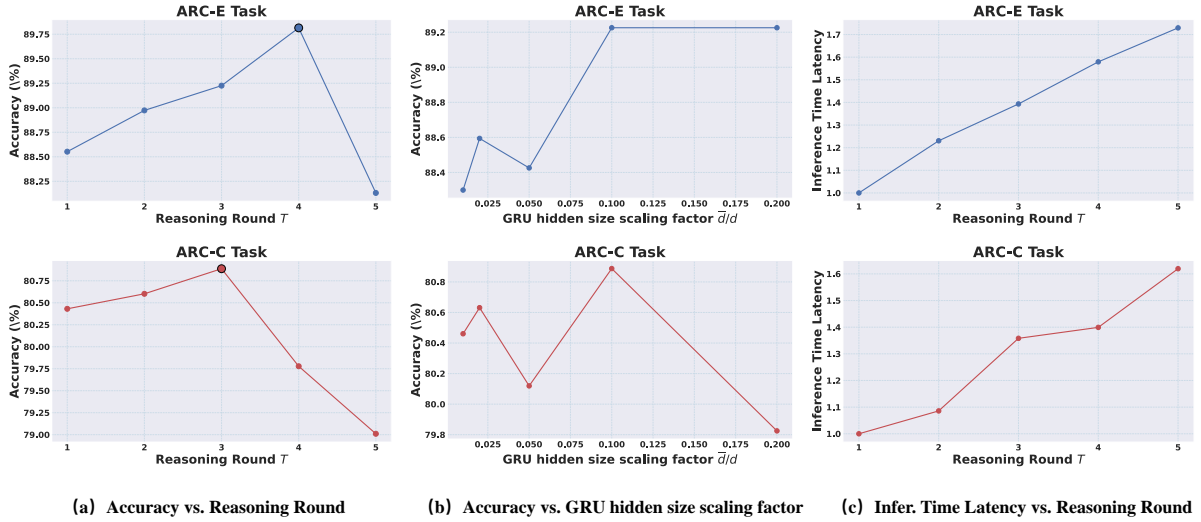


Figure 5: Sensitivity analysis of the additional hyperparameters in the GRAPHMOE architecture. The impact on GRAPHMOE’s computational overhead is demonstrated by examining how the inference time scales with the Reasoning Round (T).

approximately 0.16 times for each additional reasoning round. This increase is both manageable and acceptable. In summary, these findings demonstrate the efficacy of our proposed method and its promising impact on enhancing the cognitive depth of MoE.

6 Conclusion

In conclusion, this study introduces GRAPHMOE, a novel approach that enhances the cognitive depth of language models through the integration of a self-rethinking mechanism in pseudo-graph Mixture-of-Experts (MoE) networks. Unlike traditional MoE models that operate independently, GRAPHMOE facilitates communication among expert nodes, allowing for iterative refinement and enhanced reasoning capabilities. Implemented using Low-Rank Adaptation techniques (LoRA), GRAPHMOE demonstrates significant performance improvements across various benchmark datasets, outperforming existing LoRA & LoRA+MoE baseline models and achieving state-of-the-art results. This work not only highlights the potential of employing graph-based recurrent routing strategies to implicitly increase the cognitive depth of LLM via “self-rethinking”, but also opens avenues for further exploration in leveraging interconnected expert networks for advanced problem-solving and reasoning tasks in natural language processing.

Limitations

Despite the notable performance improvements achieved by the GRAPHMOE framework, there are several limitations to be acknowledged.

- While the GRAPHMOE architecture consistently leads to performance gains across diverse tasks and base models, the degree of improvement is variable and can depend on the interaction between the MoE and LoRA components. This variability underscores the need for comprehensive exploration into the integration modalities and parameter space to ensure maximum efficiency across different LoRA+MoE configurations.
- The workload distribution analysis indicates a marked improvement in workload balance with GRAPHMOE. However, the potential impact of workload imbalance on model performance over a broader range of tasks remains underexplored. Further investigation into balancing expert model selection and activation across diverse scenarios could unveil additional pathways for performance optimization.
- The sensitivity analysis indicated potential overfitting issues when increasing the reasoning rounds beyond a particular threshold, revealing the necessity for careful hyperparameter tuning to mitigate issues of over-complexity and model overthinking.

In summary, while the GRAPHMOE framework shows promise in enhancing cognitive depth and performance of MoE architectures, future research should address computational precision limits, explore broader integration strategies, and focus on

hyperparameter optimization to further refine and substantiate these initial findings.

References

- Yonatan Bisk, Rowan Zellers, Jianfeng Gao, Yejin Choi, et al. 2020. Piqa: Reasoning about physical commonsense in natural language. In *Proceedings of the AAAI conference on artificial intelligence*, volume 34, pages 7432–7439.
- Weilin Cai, Juyong Jiang, Fan Wang, Jing Tang, Sunghun Kim, and Jiayi Huang. 2024. A survey on mixture of experts. *arXiv preprint arXiv:2407.06204*.
- Yupeng Chang, Xu Wang, Jindong Wang, Yuan Wu, Linyi Yang, Kaijie Zhu, Hao Chen, Xiaoyuan Yi, Cunxiang Wang, Yidong Wang, et al. 2024. A survey on evaluation of large language models. *ACM Transactions on Intelligent Systems and Technology*, 15(3):1–45.
- Junyoung Chung, Caglar Gulcehre, KyungHyun Cho, and Yoshua Bengio. 2014. Empirical evaluation of gated recurrent neural networks on sequence modeling. *arXiv preprint arXiv:1412.3555*.
- Christopher Clark, Kenton Lee, Ming-Wei Chang, Tom Kwiatkowski, Michael Collins, and Kristina Toutanova. 2019. Boolq: Exploring the surprising difficulty of natural yes/no questions. *arXiv preprint arXiv:1905.10044*.
- Peter Clark, Isaac Cowhey, Oren Etzioni, Tushar Khot, Ashish Sabharwal, Carissa Schoenick, and Oyvind Tafjord. 2018. Think you have solved question answering? try arc, the ai2 reasoning challenge. *arXiv preprint arXiv:1803.05457*.
- Damai Dai, Chengqi Deng, Chenggang Zhao, RX Xu, Huazuo Gao, Deli Chen, Jiashi Li, Wangding Zeng, Xingkai Yu, Y Wu, et al. 2024. Deepseek-moe: Towards ultimate expert specialization in mixture-of-experts language models. *arXiv preprint arXiv:2401.06066*.
- Shihan Dou, Enyu Zhou, Yan Liu, Songyang Gao, Wei Shen, Limao Xiong, Yuhao Zhou, Xiao Wang, Zhiheng Xi, Xiaoran Fan, Shiliang Pu, Jiang Zhu, Rui Zheng, Tao Gui, Qi Zhang, and Xuanjing Huang. 2024. [LoRAMoE: Alleviating world knowledge forgetting in large language models via MoE-style plugin](#). In *Proceedings of the 62nd Annual Meeting of the Association for Computational Linguistics (Volume 1: Long Papers)*, pages 1932–1945, Bangkok, Thailand. Association for Computational Linguistics.
- William Fedus, Barret Zoph, and Noam Shazeer. 2022. Switch transformers: Scaling to trillion parameter models with simple and efficient sparsity. *Journal of Machine Learning Research*, 23(120):1–39.
- Tianyu Fu, Haofeng Huang, Xuefei Ning, Genghan Zhang, Boju Chen, Tianqi Wu, Hongyi Wang, Zixiao Huang, Shiyao Li, Shengen Yan, et al. 2024. Moa: Mixture of sparse attention for automatic large language model compression. *arXiv preprint arXiv:2406.14909*.
- Chongyang Gao, Kezhen Chen, Jinneng Rao, Baochen Sun, Ruibo Liu, Daiyi Peng, Yawen Zhang, Xiaoyuan Guo, Jie Yang, and VS Subrahmanian. 2024. Higher layers need more lora experts. *arXiv preprint arXiv:2402.08562*.
- Tomas Goldsack, Zhihao Zhang, Chen Tang, Carolina Scarton, and Chenghua Lin. 2023. [Enhancing biomedical lay summarisation with external knowledge graphs](#). In *Proceedings of the 2023 Conference on Empirical Methods in Natural Language Processing*, pages 8016–8032, Singapore. Association for Computational Linguistics.
- Yunhao Gou, Zhili Liu, Kai Chen, Lanqing Hong, Hang Xu, Aoxue Li, Dit-Yan Yeung, James T Kwok, and Yu Zhang. 2023. Mixture of cluster-conditional lora experts for vision-language instruction tuning. *arXiv preprint arXiv:2312.12379*.
- Zishan Guo, Renren Jin, Chuang Liu, Yufei Huang, Dan Shi, Linhao Yu, Yan Liu, Jiakuan Li, Bojian Xiong, Deyi Xiong, et al. 2023. Evaluating large language models: A comprehensive survey. *arXiv preprint arXiv:2310.19736*.
- Xu Owen He. 2024. Mixture of a million experts. *arXiv preprint arXiv:2407.04153*.
- S Hochreiter. 1997. Long short-term memory. *Neural Computation MIT-Press*.
- Edward J Hu, Yelong Shen, Phillip Wallis, Zeyuan Allen-Zhu, Yuanzhi Li, Shean Wang, Lu Wang, and Weizhu Chen. 2021a. Lora: Low-rank adaptation of large language models. *arXiv preprint arXiv:2106.09685*.

- Edward J Hu, Yelong Shen, Phillip Wallis, Zeyuan Allen-Zhu, Yuanzhi Li, Shean Wang, Lu Wang, and Weizhu Chen. 2021b. Lora: Low-rank adaptation of large language models. *arXiv preprint arXiv:2106.09685*.
- Robert A Jacobs, Michael I Jordan, Steven J Nowlan, and Geoffrey E Hinton. 1991. Adaptive mixtures of local experts. *Neural computation*, 3(1):79–87.
- Albert Q Jiang, Alexandre Sablayrolles, Antoine Roux, Arthur Mensch, Blanche Savary, Chris Bamford, Devendra Singh Chaplot, Diego de las Casas, Emma Bou Hanna, Florian Bressand, et al. 2024. Mixtral of experts. *arXiv preprint arXiv:2401.04088*.
- Dawid J Kopiczko, Tijmen Blankevoort, and Yuki M Asano. 2023. Vera: Vector-based random matrix adaptation. *arXiv preprint arXiv:2310.11454*.
- Dengchun Li, Yingzi Ma, Naizheng Wang, Zhiyuan Cheng, Lei Duan, Jie Zuo, Cal Yang, and Mingjie Tang. 2024. Mixlora: Enhancing large language models fine-tuning with lora based mixture of experts. *arXiv preprint arXiv:2404.15159*.
- Xun Liang, Shichao Song, Zifan Zheng, Hanyu Wang, Qingchen Yu, Xunkai Li, Rong-Hua Li, Yi Wang, Zhonghao Wang, Feiyu Xiong, et al. 2024. Internal consistency and self-feedback in large language models: A survey. *arXiv preprint arXiv:2407.14507*.
- Shih-Yang Liu, Chien-Yi Wang, Hongxu Yin, Pavlo Molchanov, Yu-Chiang Frank Wang, Kwang-Ting Cheng, and Min-Hung Chen. 2024. Dora: Weight-decomposed low-rank adaptation. *arXiv preprint arXiv:2402.09353*.
- Tyler Loakman, Chen Tang, and Chenghua Lin. 2023. [TwistList: Resources and baselines for tongue twister generation](#). In *Proceedings of the 61st Annual Meeting of the Association for Computational Linguistics (Volume 2: Short Papers)*, pages 579–589, Toronto, Canada. Association for Computational Linguistics.
- Tongxu Luo, Jiahe Lei, Fangyu Lei, Weihao Liu, Shizhu He, Jun Zhao, and Kang Liu. 2024. Moelora: Contrastive learning guided mixture of experts on parameter-efficient fine-tuning for large language models. *arXiv preprint arXiv:2402.12851*.
- Bo Lv, Chen Tang, Yanan Zhang, Xin Liu, Ping Luo, and Yue Yu. 2024. [URG: A unified ranking and generation method for ensembling language models](#). In *Findings of the Association for Computational Linguistics ACL 2024*, pages 4421–4434, Bangkok, Thailand and virtual meeting. Association for Computational Linguistics.
- Todor Mihaylov, Peter Clark, Tushar Khot, and Ashish Sabharwal. 2018. Can a suit of armor conduct electricity? a new dataset for open book question answering. *arXiv preprint arXiv:1809.02789*.
- Niklas Muennighoff, Luca Soldaini, Dirk Groeneveld, Kyle Lo, Jacob Morrison, Sewon Min, Weijia Shi, Pete Walsh, Oyvind Tafjord, Nathan Lambert, et al. 2024. Olmoe: Open mixture-of-experts language models. *arXiv preprint arXiv:2409.02060*.
- Mohammed Muqeeth, Haokun Liu, and Colin Raffel. 2023. Soft merging of experts with adaptive routing. *arXiv preprint arXiv:2306.03745*.
- Rajvardhan Patil and Venkat Gudivada. 2024. A review of current trends, techniques, and challenges in large language models (llms). *Applied Sciences*, 14(5):2074.
- Bo Peng, Eric Alcaide, Quentin Anthony, Alon Albalak, Samuel Arcadinho, Stella Biderman, Huanqi Cao, Xin Cheng, Michael Chung, Matteo Grella, et al. 2023. Rwkv: Reinventing mns for the transformer era. *arXiv preprint arXiv:2305.13048*.
- Subhojeet Pramanik, Esraa Elelimy, Marlos C Machado, and Adam White. 2023. Recurrent linear transformers. *arXiv preprint arXiv:2310.15719*.
- Keisuke Sakaguchi, Ronan Le Bras, Chandra Bhagavatula, and Yejin Choi. 2021. Winogrande: An adversarial winograd schema challenge at scale. *Communications of the ACM*, 64(9):99–106.
- Maarten Sap, Hannah Rashkin, Derek Chen, Ronan LeBras, and Yejin Choi. 2019. Socialliqa: Commonsense reasoning about social interactions. *arXiv preprint arXiv:1904.09728*.
- Yikang Shen, Zhen Guo, Tianle Cai, and Zengyi Qin. 2024. Jetmoe: Reaching llama2 performance with 0.1 m dollars. *arXiv preprint arXiv:2404.07413*.
- Chen Tang. 2024. *Knowledge Enhanced Natural Language Generation*. Ph.D. thesis, University of Surrey.

- Chen Tang, Hongbo Zhang, Tyler Loakman, Chenghua Lin, and Frank Guerin. 2023. [Enhancing dialogue generation via dynamic graph knowledge aggregation](#). In *Proceedings of the 61st Annual Meeting of the Association for Computational Linguistics (Volume 1: Long Papers)*, pages 4604–4616, Toronto, Canada. Association for Computational Linguistics.
- A Vaswani. 2017. Attention is all you need. *Advances in Neural Information Processing Systems*.
- Shaohua Wu, Jiangang Luo, Xi Chen, Lingjun Li, Xudong Zhao, Tong Yu, Chao Wang, Yue Wang, Fei Wang, Weixu Qiao, et al. 2024a. Yuan 2.0-m32: Mixture of experts with attention router. *arXiv preprint arXiv:2405.17976*.
- Taiqiang Wu, Jiahao Wang, Zhe Zhao, and Ngai Wong. 2024b. Mixture-of-subspaces in low-rank adaptation. *arXiv preprint arXiv:2406.11909*.
- Tongtong Wu, Linhao Luo, Yuan-Fang Li, Shirui Pan, Thuy-Trang Vu, and Gholamreza Haffari. 2024c. Continual learning for large language models: A survey. *arXiv preprint arXiv:2402.01364*.
- Da Xiao, Qingye Meng, Shengping Li, and Xingyuan Yuan. 2024. Improving transformers with dynamically composable multi-head attention. *arXiv preprint arXiv:2405.08553*.
- Bohao Yang, Chen Tang, Kun Zhao, Chenghao Xiao, and Chenghua Lin. 2024. [Effective distillation of table-based reasoning ability from LLMs](#). In *Proceedings of the 2024 Joint International Conference on Computational Linguistics, Language Resources and Evaluation (LREC-COLING 2024)*, pages 5538–5550, Torino, Italia. ELRA and ICCL.
- Qingchen Yu, Zifan Zheng, Shichao Song, Zhiyu Li, Feiyu Xiong, Bo Tang, and Ding Chen. 2024. xfinder: Robust and pinpoint answer extraction for large language models. *arXiv preprint arXiv:2405.11874*.
- Rowan Zellers, Ari Holtzman, Yonatan Bisk, Ali Farhadi, and Yejin Choi. 2019. Hellaswag: Can a machine really finish your sentence? *arXiv preprint arXiv:1905.07830*.
- Qingru Zhang, Minshuo Chen, Alexander Bukharin, Pengcheng He, Yu Cheng, Weizhu Chen, and Tuo Zhao. 2023. Adaptive budget allocation for parameter-efficient fine-tuning. In *The Eleventh International Conference on Learning Representations*.
- Zhaoyang Zhang, Wenqi Shao, Yixiao Ge, Xiaogang Wang, Jinwei Gu, and Ping Luo. 2024. Cached transformers: Improving transformers with differentiable memory cache. In *Proceedings of the AAAI Conference on Artificial Intelligence*, volume 38, pages 16935–16943.
- Kun Zhao, Chenghao Xiao, Chen Tang, Bohao Yang, Kai Ye, Noura Al Moubayed, Liang Zhan, and Chenghua Lin. 2024a. X-ray made simple: Radiology report generation and evaluation with layman’s terms. *arXiv preprint arXiv:2406.17911*.
- Kun Zhao, Bohao Yang, Chenghua Lin, Wenge Rong, Aline Villavicencio, and Xiaohui Cui. 2023. Evaluating open-domain dialogues in latent space with next sentence prediction and mutual information. In *Proceedings of the 61st Annual Meeting of the Association for Computational Linguistics (Volume 1: Long Papers)*, pages 562–574.
- Kun Zhao, Bohao Yang, Chen Tang, Chenghua Lin, and Liang Zhan. 2024b. Slide: A framework integrating small and large language models for open-domain dialogues evaluation. *arXiv preprint arXiv:2405.15924*.
- Zifan Zheng, Yezhaohui Wang, Yuxin Huang, Shichao Song, Mingchuan Yang, Bo Tang, Feiyu Xiong, and Zhiyu Li. 2024. Attention heads of large language models: A survey. *arXiv preprint arXiv:2409.03752*.
- Zexuan Zhong, Mengzhou Xia, Danqi Chen, and Mike Lewis. 2024. Lory: Fully differentiable mixture-of-experts for autoregressive language model pre-training. *arXiv preprint arXiv:2405.03133*.
- Barret Zoph, Irwan Bello, Sameer Kumar, Nan Du, Yanping Huang, Jeff Dean, Noam Shazeer, and William Fedus. 2022. St-moe: Designing stable and transferable sparse expert models. *arXiv preprint arXiv:2202.08906*.
- Simiao Zuo, Xiaodong Liu, Jian Jiao, Young Jin Kim, Hany Hassan, Ruofei Zhang, Tuo Zhao, and Jianfeng Gao. 2021. Taming sparsely activated transformer with stochastic experts. *arXiv preprint arXiv:2110.04260*.