

TED: Turn Emphasis with Dialogue Feature Attention for Emotion Recognition in Conversation

Junya Ono and Hiromi Wakaki
Sony Group Corporation
{junya.ono, hiromi.wakaki}@sony.com

Abstract

Emotion recognition in conversation (ERC) has been attracting attention by methods for modeling multi-turn contexts. The multi-turn input to a pretraining model implicitly assumes that the current turn and other turns are distinguished during the training process by inserting special tokens into the input sequence. This paper proposes a priority-based attention method to distinguish each turn explicitly by adding dialogue features into the attention mechanism, called **Turn Emphasis with Dialogue (TED)**. It has a priority for each turn according to turn position and speaker information as dialogue features. It takes multi-head self-attention between turn-based vectors for multi-turn input and adjusts attention scores with the dialogue features. We evaluate TED on four typical benchmarks. The experimental results demonstrate that TED has high overall performance in all datasets and achieves state-of-the-art performance on IEMOCAP with numerous turns.

1 Introduction

Emotion recognition in conversation (ERC) has been discussed for over decade (Yang et al., 2007; Devlin et al., 2019). In ERC, an emotion label is estimated for the current turn from multiple turns' worth of utterances and speaker information. Emotion understanding such as ERC has the potential to be used in chatbots, medical situations, and call centers.

The methods of ERC are often used on the basis of past and future contexts, external commonsense knowledge, and speaker information (Majumder et al., 2019; Ghosal et al., 2020; Zhu et al., 2021; Shen et al., 2021). Especially, studies that involve modeling multiple turns have grown in number since the appearance of ERC datasets that embody different perspectives including multiple speakers and topics (Li et al., 2017; Zahiri and Choi, 2017; Poria et al., 2018).

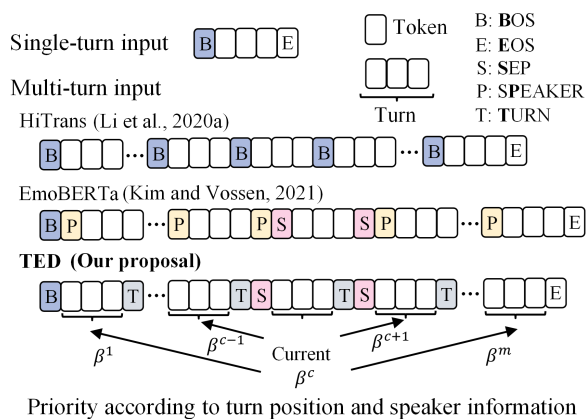


Figure 1: Concept of our method. This shows the difference in the multi-turn input in related methods. Our method prioritizes each turn to distinguish the turns

The mainstream multi-turn methods can exploit past and future turns for more contexts through their use of recurrent neural networks (RNNs), graph neural networks (GNNs), and Transformer (Vaswani et al., 2017). These methods often input the token sequence for only the current turn into a pretrained model, such as BERT (Devlin et al., 2019) and RoBERTa (Liu et al., 2019). They cannot use the context other than the current turn for single-turn input. Therefore, the methods of multi-turn input have been recently proposed by inserting special tokens into the input sequence as shown in Figure 1 (Li et al., 2020a; Gu et al., 2020; Lee and Choi, 2021; Kim and Vossen, 2021). These methods can obtain deeper contexts by adding the utterances in multiple turns into the input sequence. On the other hand, they design to distinguish each turn by including information of turn position and speaker as special tokens. However, this multi-turn input implicitly expects to be distinguished between the current turn and other turns to be modeled in the process of machine learning.

We introduce a concept to distinguish explicitly between each turn and to control a degree of the

Emotion	t	SID	Utterance	Dialogue feature priority speaker		
neutral	1	1	Well, maybe he wanted see her.	P	Low	S β^1
angry	2	0	It's been three and a half years. Why all of a sudden?		L	1
neutral	3	1	He grew up next door to the girl, why wouldn't he want to see her?	C	High	S β^3
frustrated	4	1	Don't look at me like that. He didn't tell me anything ****		S	β^4
frustrated	5	1	How do you know he's even thinking about it?	F	Low	S β^5
frustrated	6	1	Oh so what?		S	β^6
angry	7	0	What is going on here, Joe?	L	1	

Figure 2: Example of ERC and dialogue features. TED uses current (C), past (P) and future (F) turns to obtain more contexts. Dialogue features indicate turn priority, same speaker (S) and listener (L). In this case, TED adjusts attention scores for the same speakers (S) in the current turn by using an attention factor β^t with the turn priority; t indicates the turn number; SID indicates the speaker identification.

distinction while making the most of dialogue features. As one of the methods, 1 shows our concept to clarify the distinction by prioritizing each turn and maximizing the priority of the current turn in comparison with related methods (Li et al., 2020a; Kim and Vossen, 2021). This concept uses special tokens of [TURN] and [SEP] as turn breaks and delimiter of the current turn, respectively. Moreover, it adjusts relationship between the current turn and other turns by using priority factor β^t calculated by dialogue features of turn position and speaker information; t indicates position of a turn; SPK indicates Speaker information.

Our proposal, a priority-based attention method, called “Turn Emphasis with Dialogue (TED)”, uses the above dialogue features. First, TED creates a multi-turn input sequence by concatenating all turns with special tokens and also creates a turn-based vector by averaging the token-based vectors at the same positions of the utterance in a turn, called “Turn-Based Encoding (TBE)”. Second, it establishes multi-head self-attention (MHSA) between the turn-based vectors of TBE, called “Turn-Based MHSA (TBM)”. Finally, it adds a dialogue layer to TBM to adjust attention scores for three types of all turns, the same speaker turns at the same as a current turn, or the listener turns. Figure 2 shows an example of making adjustments with an attention factor β^t ; t indicates the turn number. The comprehensive results in four typical benchmarks demonstrate that TED has high performance in all datasets and especially archives state-of-the-art performance in IEMOCAP with a lot of turns.

2 Related work

ERC has recently attracted attention because it can handle more complex contexts using multiple turns. Numerous powerful approaches have been proposed on the basis of RNNs, GNNs, and Transformers. Many use a pretrained model, such as BERT and RoBERTa, to make sequence representations corresponding to input tokens.

2.1 Multi-turn models

Here, we review recent models based on three different neural networks.

RNN-based models ICON (Hazarika et al., 2018a) and CMN (Hazarika et al., 2018b) have gated recurrent unit (GRU) and memory networks. HiGRU (Jiao et al., 2019) has two GRUs for the utterance and conversation. BiF-AGRU (Jiao et al., 2020) has a hierarchical memory network with an attention GRU for historical utterances. DialogueRNN (Majumder et al., 2019) utilizes the global state as a context and the party state for individual speakers by incorporating bidirectional GRUs for emotional dynamics. COSMIC (Ghosal et al., 2020) has a similar structure to DialogueRNN but with added external commonsense knowledge. BiERU (Li et al., 2020b) devised an efficient and party-ignorant framework by using a bi-recurrent unit. CESTa (Wang et al., 2020) handles the global context by using Transformer and individual speakers by using BiLSTM-CRF. DialogueCRN (Hu et al., 2021) has contextual reasoning networks that have long short-term memory (LSTM) to understand situations and speaker context.

GNN-based models DialogGCN (Ghosal et al., 2019) handles the dependency and positional relationship of speakers as a graph structure. RGAT (Ishiwatari et al., 2020) has a similar strategy to DialogGCN but with added positional encodings. ConGCN (Zhang et al., 2019) builds an entire dataset including utterances and speakers as a large graph. SumAggGIN (Sheng et al., 2020) has two stages of summarization and aggregation graphs for capturing emotional fluctuation. DAG-ERC (Shen et al., 2021) models the flow between long distance and nearby contexts. TUCORE-GCN (Lee and Choi, 2021) constructs a graph of relational information in a dialogue with four types of nodes and three types of edges.

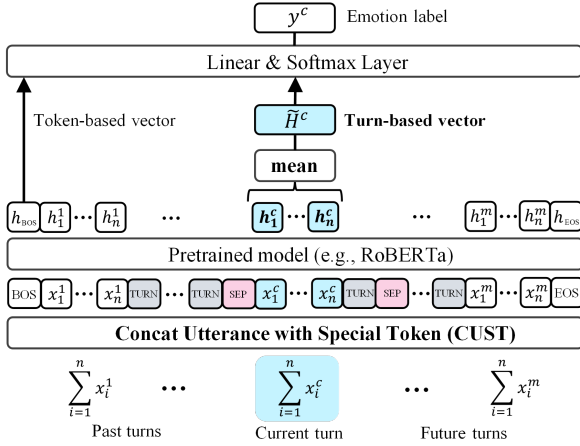


Figure 3: Turn-based encoding (TBE) model. CUST outputs a multi-turn sequence from utterances in past and future turns with “TURN” and “SEP” tokens as separators. TBE uses a current turn-based vector \bar{H}^c created by averaging token-based vectors.

Transformer-based models KET (Zhong et al., 2019) incorporates hierarchical self-attention with commonsense knowledge. DialogueTRM (Mao et al., 2020) uses a hierarchical Transformer and multi-grained network for multi-modal fusion. HiTrans (Li et al., 2020a) uses two hierarchical transformers, one for low-level representations from BERT, the other a high level turn-by-turn Transformer structure. DialogXL (Shen et al., 2020) deals with long-term memory and four types of dialog-aware self-attention based on XLNet (Yang et al., 2019). TODKAT (Zhu et al., 2021) integrates topic representations and commonsense knowledge into an encoder-decoder structure. EmoBERTa (Kim and Vossen, 2021) inputs one sentence including past and future turns with special tokens into RoBERTa.

2.2 Input Encoding

Various formats have recently been used for expressing the multi-turn input by using utterances and speaker information in turns. To encode the multi-turn input sequence, one method adds speaker information in the form of a special token and adds segment, positional, and speaker embeddings to the utterance embedding (Gu et al., 2020; Li et al., 2017). Another method replaces the speaker information with a real name and adds separator tokens to the front and back of the current turn (Kim and Vossen, 2021). EmoBERTa, which is an example of the latter method, achieves high accuracy with only the token-based vector of

the head token <s> and RoBERTa without a special multi-turn network. We believe that a richer context can be obtained from multi-turn utterances.

Our model, TED, is inspired by these methods, but it does not include speaker information in the input sequence. Instead, we apply speaker information to the attention mechanism.

3 Methodology

The following three subsections describe TED as a classification problem using a pretrained model and multi-turn contexts.

3.1 Turn-Based Encoding

Here, we introduce the turn-based encoding model (TBE), which has two components, i.e. input encoding and creation of the mean vector of utterance to encode multi-turn utterances. Figure 3 shows the structure of TBE.

Input Encoding First, TBE creates token-based vectors by concatenating multi-turn utterances including past and future turns with special tokens (called “Concat Utterance with Special Token”, or CUST). As indicated in Figure 3, CUST outputs a token sequence including past and future turns as follows:

$$CUST := Concat(x^c, X^p, X^f, t_T, t_s) \quad (1)$$

where x denotes a token in an utterance; $x^c = \sum_i x_i^c$ denotes the token sequence of an utterance at the current turn; $X^p = (\sum_i x_i^1, \dots, \sum_i x_i^{c-1})$ and $X^f = (\sum_i x_i^{c+1}, \dots, \sum_i x_i^m)$ denote the list of the token sequences in past and future turns, respectively; t_T and t_S denote special tokens [TURN] and [SEP], respectively. CUST outputs a token sequence by adding [TURN] at the end of each turn to distinguish turn breaks and by adding [SEP] to the front and back of the current turn to distinguish it from the other turns. [SEP] is also added to the end of a sequence when pretraining. By comparison, HiTrans uses a CLS token at the beginning of each turn to distinguish between turns. However, the CLS token is often used as a context vector in a downstream task as the first token of BERT. Therefore, we add a new token [TURN], which means only turn breaks.

The “pretrained model” (PTM) in Figure 3 is a pretrained model such as RoBERTa that outputs a list \mathbf{H} of token-based vectors per turn for all turns as follows:

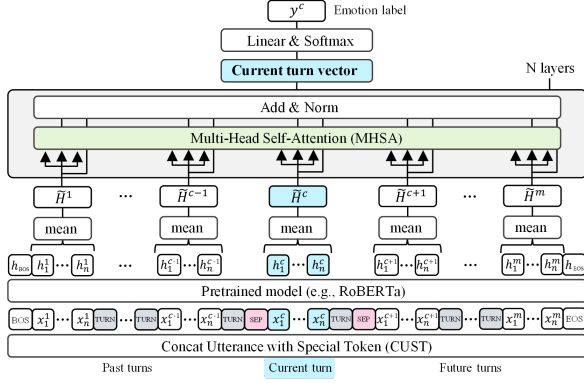


Figure 4: Turn-based MHA (TBM) model. TBM establishes MHA between turn-based vectors to obtain more contexts based on TBE.

$$\mathbf{H} = (\mathbf{h}^1, \dots, \mathbf{h}^c, \dots, \mathbf{h}^m) \quad (2)$$

where $\mathbf{h}^c = (h_{1,\dots}^c, h_{i,\dots}^c, h_n^c)$

where \mathbf{h}^c denotes the list of token-based vectors in the current turn, where the range of tokens exactly matches the positions of the input sequence in the current turn among the outputs of PTM. Note that the vectors corresponding to the BOS and end EOS tokens are omitted.

Mean Vector of Utterance Second, TBE creates turn-based vectors in order to average the token-based vectors corresponding to the utterance positions in each turn.

The list of the turn-based vectors $\tilde{\mathbf{H}}$ in all m turns is defined as

$$\tilde{\mathbf{H}} = (\tilde{H}^1, \dots, \tilde{H}^c, \dots, \tilde{H}^m) \quad (3)$$

where $\tilde{H}^c = \text{Mean}(\mathbf{h}^c)$

where \tilde{H}^c in Figure 3 is the average of the \mathbf{h}^c . The label with the highest probability \mathbf{P} among L labels is chosen as the ‘‘Emotion label’’ in Figure 3:

$$\begin{aligned} \mathbf{P} &= (P_l, \dots, P_l, \dots, P_L) \\ &= \text{Softmax} \left\{ F \left(\tilde{H}^c \right) \right\} \quad (4) \end{aligned}$$

where $P_l = P \left(y_l | \mathbf{x}^c, \mathbf{X}^p, \mathbf{X}^f, s^c, \mathbf{S}^p, \mathbf{S}^f \right)$

where F is a linear function; s^c denotes speaker information at the current turn; $\mathbf{S}^p = (s^1, \dots, s^{c-1})$ and $\mathbf{S}^f = (s^{c+1}, \dots, s^m)$; denote the list of speaker information of past and future turns; y_l denotes the l^{th} emotion label.

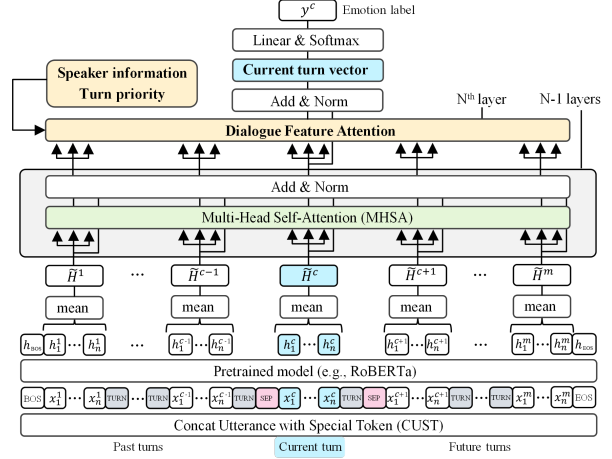


Figure 5: The proposed model, TED, has a dialogue layer to adjust attention scores by using turn priority and speaker IDs at the last (N^{th}) layer on the basis of TBM.

3.2 Turn-Based Multi-Head Self-Attention

We use the multi-head self-attention (MHSA) of Transformer (Vaswani et al., 2017) between turns to obtain more context based on TBE. Figure 4 shows our turn-based MHA (TBM) model. The output of MHA is added to the original input; then, the layer norm is taken in the same way as in the vanilla Transformer.

TUCORE-GCN uses MHA masked with a turn-based window size and performs attention on a token-by-token basis. HiTrans also establishes token-based MHA between CLS tokens, which is added to the input at the beginning of each turn. Our model differs from TUCORE-GCN in that it is MHA with turn-based vectors of positions that exactly match the tokens of utterances.

3.3 Turn Emphasis with Dialogue (TED)

We propose ‘‘Turn Emphasis with Dialogue (TED)’’ to emphasize the current turn with two dialogue features, called ‘‘priority’’ and ‘‘speaker’’, as shown Figure 2. We add a dialogue layer to TBM to adjust the attention scores with the turn priority and speaker information, as shown in Figure 5.

The multi-head self-attention in Figure 5 has the same structure as the vanilla Transformer. $\tilde{\alpha}_j$ is the attention score matrix for all m turns at the j^{th} head of MHA as follows:

$$\begin{aligned} \tilde{\alpha}_j &= (\tilde{\alpha}_j^1, \dots, \tilde{\alpha}_j^t, \dots, \tilde{\alpha}_j^m) \\ \text{where } \tilde{\alpha}_j^t &= \frac{\exp(\alpha_j^t)}{\sum_k \exp(\alpha_j^k)} \quad (5) \end{aligned}$$

where $\tilde{\alpha}_j^t$ denotes the attention score vector for the t^{th} turn after the softmax function.

MHSA outputs attentional vectors by a concatenation with each head as follows:

$$\begin{aligned} MHSA &:= \text{Concat}(\mathbf{A}_1, \dots, \mathbf{A}_j^t, \dots, \mathbf{A}_j^m) \\ \text{where } \mathbf{A}_j &= (\mathbf{A}_j^1, \dots, \mathbf{A}_j^t, \dots, \mathbf{A}_j^m) \quad (6) \\ \mathbf{A}_j^t &= \tilde{\alpha}_j^t \mathbf{V}_j, \mathbf{V}_j = \widetilde{\mathbf{H}} \mathbf{W}_j^V \end{aligned}$$

where $\widetilde{\mathbf{H}}$ denotes the list of turn-based vectors for all m turns, \mathbf{W}_j^V denote learning parameters to scale the dimension of the model and the head, respectively, \mathbf{V}_j denotes the list of scaled vectors for all turns, and \mathbf{A}_j^t denotes the attentional vector using the above attention scores.

So far, all turns are treated equally. Therefore, to emphasize the current turn, we construct a new dialogue layer, as follows. Let $\tilde{\alpha}_j^{t'}$ be the weighted score vector produced by the dialogue feature attention in the last (N^{th}) layer in Figure 5.

$$\tilde{\alpha}_j^{t'} = \frac{\beta^t \exp(\alpha_j^t)}{\sum_k \beta^k \exp(\alpha_j^k)} \quad (7)$$

where β^t denotes the attention factor at the t^{th} turn, which is calculated by the following two points.

Turn priority The current turn is emphasized with the priority shown in Figure 2. The dialogue feature attention adjusts the priority in accordance with the following normal distribution.

$$\beta^t := \gamma^t = \begin{cases} \gamma & \text{Constant} \\ 1 + \gamma \exp\left\{-\frac{(t-t^c)^2}{2\sigma^2}\right\} & \text{Normdist} \end{cases} \quad (8)$$

where γ^t denotes either no priority (i.e., *Constant*) or a variable priority based on a normal distribution (*Normdist*), γ denotes the maximum coefficient, and t^c and σ respectively denote the current turn and standard deviation. In case of *Normdist*, Formula (8) shows that the current turn is emphasized by the turn priority; the farther away the turn is from the current turn t^c , the smaller the value of γ^t (i.e., *Normdist*) becomes.

Speaker Information speaker IDs are applied to the attention mechanism. The dialogue feature attention adjusts the attention factor for the same speaker or listener as follows:

Dataset	# ALL dialogues	# All turns	Std. turns in a dialogue
IEMOCAP	151	7,433	16.8
MELD	1,432	13,708	5.79
EmoryNLP	827	9,489	5.34
DailyDialog	13,118	102,979	3.99

Table 1: Statistics of four ERC datasets

$$\beta^t = \begin{cases} \gamma^t, & S^t = S^c \\ 1, & \text{otherwise} \end{cases} \quad (9)$$

$$\beta^t = \begin{cases} \gamma^t, & S^t \neq S^c \\ 1, & \text{otherwise} \end{cases} \quad (10)$$

where S^c and S^t denote the speaker IDs of the current and t^{th} turn, respectively. Formula (9) is used to weight the turns that have the same speaker as the current turn and Formula (10) is used to weight the listener turns.

4 Experiment setting

We evaluate TED on four ERC datasets. The datasets include speaker IDs for every turn. The training, development, and test data split follow the related work, such as COSMIC (Ghosal et al., 2020).

4.1 Dataset

Table 1 shows the statistics of the datasets. IEMOCAP (Busso et al., 2008) is a multimodal dataset including text transcriptions of two speakers and it is annotated with six emotions.

MELD (Poria et al., 2018) is a multimodal dataset created from a TV show, Friends. It includes 260 speakers and is labeled with seven emotions.

EmoryNLP (Zahiri and Choi, 2017) uses the same data source as MELD, i.e., the TV show Friends, and it annotates different utterances as compared with MELD by seven emotions. The utterances are from 225 speakers.

DailyDialog (Li et al., 2017) contains utterances of two speakers communicating on various topics related to daily life. It is annotated with seven emotions.

IEMOCAP is different from the other datasets in that its standard deviation (Std.) of the number of turns in one dialogue is 16.8, while the Std. of the others range from 3.99-5.79. This means it is possible to use more surrounding contexts for IEMOCAP. Regarding the speaker IDs of MELD

Model	IEMOCAP		MELD		EmoryNLP		DailyDialog	
	W-Avg F1	Micro F1	W-Avg F1	Micro F1	W-Avg F1	Micro F1	W-Avg F1	Micro F1
HiTrans	64.50	-	61.94	-	36.75	-	54.93	-
DialogX	65.94	-	62.41	-	34.73	-	54.93	-
COSMIC	65.28	-	65.21	-	38.11	-	58.48	51.05
CESTa	67.10	-	58.36	-	-	-	63.12	-
DAG-ERC	68.03	-	63.65	-	39.02	-	59.33	-
EmoBERTa	68.57	-	65.61	-	-	-	-	-
TODKAT	61.33	62.60	68.23	64.75	43.12	42.68	58.47	52.56
TUCORE-GCN	-	-	65.36	-	39.24	-	61.91	-
TED (Ours)	68.63	68.82	66.35	67.25	39.07	43.33	62.43	55.71

Table 2: Overall comparison with state-of-the-art models. TED had good overall performance and achieved the state-of-the-art performance for IEMOCAP with a lot of turns.

and EmoryNLP, we assign new IDs to each dialogue to avoid the low frequency of appearance due to the large number of speakers

4.2 Training and evaluation setting

We use RoBERTa-large of the Hugging Face library (Wolf et al., 2020).

Each experiment consists of five trials and the average values of the trials are reported so that the initial values of parameters do not affect the judgments about the models. Moreover, each trial has different seeded fixed values and ran under the same computer specifications in order to maintain reproducibility.

As in the related work, we calculate micro average F1 (Micro F1) excluding the majority neutral and macro average F1 (Macro F1) on all labels for DailyDialog. On the other datasets, we calculate the weighted average f1 (W-Avg f1) and micro F1 for all labels. The evaluation scores on the test data are calculated for the model of the epoch with the highest score in the development data.

All experiments are subject to the same conditional schedule of the learning rate and early stopping. The learning rate is multiplied by a fixed value (0.8) when the evaluation score of the development data does not increase at the end of the epoch. Early stopping forcibly terminates the learning when the best score are not updated within 5 epochs

Regarding the model parameters, we use two attention layers and four heads. In Formula (8), σ is the standard deviation of the number of turns in all dialogues as shown in Table 1 and γ is a hyperparameter for the turn priority; it was set to 1.5, 2, 3, and 5.

5 Results and Analysis

5.1 Overall Performance

Table 2 compares the performance of TED and the other latest models listed in Section 2. TED had good overall performance, while the other models had good performance on certain datasets. Moreover, TED had an advantage in terms of the dialogue features on datasets with a lot of turns, such as IEMOCAP.

In Formula (7), the attention score vector is a function of

- all turns, turns that have the same speaker as in the current turn, or listener turn.
- a decay factor determined by turn priority (No decay (i.e., *Constant*) or a Normal distribution centered on a current turn (i.e., *Normdist*).

In terms of the context turn in CUST, we target the past only or both the past and the future. We describe the above combination of parameters of the results in Table 2. The IEMOCAP column in Table 2 shows results for past, Listener, and Normdist; the MELD column those for past, Listener, and Constant; the EmoryNLP column those for both the past and the future, All turns, and Normdist, and the DailyDialog those for both the past and the future, Listener, and Constant.

The results suggest that TED strengthens the relationships between turns and accelerates the turn emphasis by specially treating the current turn.

5.2 Detailed Performance

Here, we examine the results of TED in more detail by analyzing the effect of different parameters in

Context turn	Dialog feature	IE	ME	EN	DD
		W-Avg F1	W-Avg F1	W-Avg F1	Micro F1
past	TBM	68.50	65.87	38.09	61.52
	+ A, N	68.56	66.05	38.60	61.09
	+ S, C	68.48	65.94	38.78	61.20
	+ S, N	68.59	66.25	38.56	61.10
	+ L, C	68.12	66.35	38.64	61.08
	+ L, N	68.63	66.10	38.59	61.18
past + future	TBM	67.62	65.60	38.93	61.99
	+ A, N	68.13	65.96	39.07	62.16
	+ S, C	67.77	66.11	38.96	62.39
	+ S, N	68.02	65.89	38.64	62.20
	+ L, C	68.02	65.86	38.87	62.43
	+ L, N	68.13	66.03	38.89	62.20

Table 3: TED performance for different combinations of dialogue items. Dialog features (DF) are All turns (A), Same speaker turns (S), Listener turns (L), Constant (C), and Normdist (N) on IEMOCAP (IE), MELD (ME), EmoryNLP (EN, and DailyDialog (DD).

Model	Context turn	IEMOCAP	MELD
		W-Avg F1	W-Avg F1
Baseline	current	55.76	64.27
	w/ past	66.20	65.11
TBE (Input Encoding)	w/ future	62.53	64.18
	w/ past + future	63.91	65.34
TBE (Input Encoding + Mean Vector of Utterance)	w/ past	66.70	65.66
	w/ future	64.17	64.75
	w/ past + future	66.62	65.52

Table 4: Comparison of Baseline and TBE model. Baseline uses only the current turn and BOS token vector.

the dialogue feature attention. In Table 3, the ‘‘Dialogue Feature’’ column indicates the combination of two dialog feature items; A, S, and L indicate the target turns to be weighted by all turns (A), the same speaker turns (S), and listener turns (L), respectively; ‘‘C’’ indicates no decay factor (i.e., *Constant*), while ‘‘N’’ indicates the normal distribution in Formula (8).

The results for the different context turns in Table 3 vary depending on the dataset. MELD and EmoryNLP have similar data statistics, as shown in Table 1. Nevertheless, TED’s performance was higher in the context turn of the past only for MELD but was higher in the context turn of both

Context turn	Dialog feature	IEMOCAP	MELD
		W-Avg F1	W-Avg F1
past	TED (Table 2)	68.63	66.35
	TBE (Table 4)	66.70	65.66
	TBM	68.50	65.87
	+ Speaker token	67.44	65.50
	+ Speaker attention	68.40	65.51
	+ Listener attention	68.40	65.85
past + future	TED (Table 2)	68.13	66.11
	TBE (Table 4)	66.62	65.52
	TBM	67.62	65.69
	+ Speaker token	66.67	65.25
	+ Speaker attention	67.58	66.18
	+ Listener attention	67.43	65.57

Table 5: Comparison with related methods using speaker information. Neither adding token (Speaker token) nor limiting the attentional turns (Speaker and Listener attention) has an advantage.

the past and future for EmoryNLP.

The dialogue feature attention provided a slight improvement compared with that of TBM, which does not use the dialogue features. Varying the combinations of features yielded no significant differences in the results.

5.3 Effect of Input Encoding and Mean Vector of Utterance (TBE)

Table 4 compares the TBE models that have only input encoding part or both the input encoding part and mean vector of utterance part with a baseline that does not have either part. The ‘‘Context turn’’ column indicates whether to include past, future, or both kinds of turn in CUST; ‘‘no use’’ indicates only the current turn for the baseline.

The results show the effectiveness of the past turns and TBE. The future turns do not contribute to a performance improvement. We consider that the current state is influenced by the past states in a chain reaction, while the current state is not directly affected by the future states.

The performance on IEMOCAP is significantly improved in the case of past turns. The performance of EmoBERTa shows the same tendency as TBE on IEMOCAP.

These results suggest that the turn-based vector of TBE is effective.

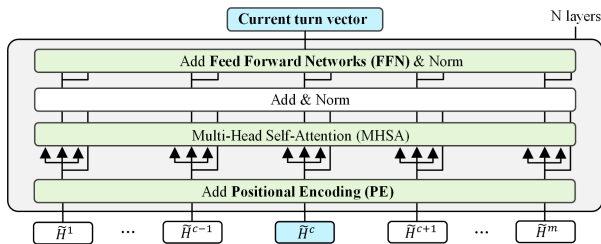


Figure 6: Variants of the TBM structure. A positional encoding (PE) layer of Transformer is placed in front of MHSA and a feed forward network (FFN) is placed in back.

5.4 Comparison with related work using speaker information

TBM performs MHSA on turn-based vectors and does not use speaker information, as stated in Section 3.2. Herein, we applied speaker information to TBM in two ways.

The first way involved adding special tokens corresponding to speaker IDs to the input sequence, as is done in TUCORE-GCN. For instance, when the speaker IDs are 0 and 1, the speaker token becomes [SPK0] or [SPK1], respectively. Note that while EmoBERTa uses real names as speaker IDs, we added speaker tokens to use the same IDs as the original data as accurate as possible.

The other way was to attend only to the turns of the target speakers. This is called local attention, and it was originally applied to an encoder-decoder (Luong et al., 2015).

In Table 5, the “Speaker token” column shows results for speaker IDs, while the “Speaker attention” and “Listener attention” columns show results for the attention on turns with the same speaker as the current one and on listener turns. The performance of TBM was significantly higher than that of TBE. However, neither way of adding speaker information showed any advantage. On the contrary, the addition of speaker tokens caused a noticeable loss in performance.

The results also show that it is better to attend to all turns than to limit the attention to certain turns. Moreover, DialogXL reported that global attention contributed more than speaker or listener attention. Accordingly, the results suggests that the high performance of TBM is based on global attention.

5.5 Variants of TBM Structure

The MHSA of TBM is the same as that of the vanilla Transformer. Because Transformer-based

Transformer Structure	# layers, heads	IEMOCAP W-Avg F1	MELD W-Avg F1
TBM (MHSA)	2, 4	68.50	65.87
	4, 8	67.92	65.37
	6, 16	67.63	65.54
+ Positional Encoding	2, 4	67.97	65.86
	4, 8	67.64	65.27
	6, 16	66.93	65.50
+ Feed Forward Network	2, 4	67.64	65.49
	4, 8	67.47	65.54
	6, 16	67.66	65.74

Table 6: Comparison of TBM model and TBM with the additional Transformer components. Adding PE and FFN did not give any improvements. This means that MHSA contributed to the high performance of TED.

models use positional encoding (PE) and a feed forward network (FFN), we decided to examine the effect of adding them to TBM in the same way as in the vanilla Transformer as shown in Figure 6.

Table 6 shows the effect of adding these Transformer components and the network size depending on the number of layers and heads. The “TBM” row contains results for only MHSA, while the “Positional Encoding” and “Feed Forward Networks” rows show results for TBM with these layers. The “# layers” and “# heads” columns respectively indicate the number of layers of the above components and the number of heads of MHSA. Note that CUST used only the past turns.

The results show that there is no advantage to adding PE and FFN, which are token-based components. Therefore, the results show that TBM works better with turn-based components than with turn-based and token-based components together. Regarding the network parameters, smaller layers and heads are effective. In other words, the complexity of the parameters had no effect on the performance of the turn-based mechanism.

The improvement on IEMOCAP was remarkable, but that on MELD was slight. Regarding this result, more turns would lead to more context and higher performance. We conclude that, compared with the state-of-the-art methods, TBM, which uses turn-based MHSA between turn-based vectors based on TBE, captures more complicated contexts in the multiple turns.

6 Conclusion

For modeling multi-turn contexts of conversation, we presented TED, which emphasizes the current turn and explicitly distinguishes each turn by adding the dialogue features into the attention mechanism. The results in four ERC datasets show that TED had good overall performance, while the other models had good performance on certain datasets. Moreover, TED had an advantage in terms of the dialogue features on datasets with a lot of turns, such as IEMOCAP. Further experiments demonstrated the effectiveness of TED’s key components; TBE, TBM, and the dialogue features of the turn position and speaker information. Our priority factor for the distinction of the turns has made it possible to emphasize the emotional target turn and can adapt to diverse datasets by controlling the dialogue features.

References

- Carlos Busso, Murtaza Bulut, Chi-Chun Lee, Abe Kazemzadeh, Emily Mower, Samuel Kim, Jeanette N Chang, Sungbok Lee, and Shrikanth S Narayanan. 2008. [Iemocap: Interactive emotional dyadic motion capture database](#). *Language resources and evaluation*, 42(4):335.
- Jacob Devlin, Ming-Wei Chang, Kenton Lee, and Kristina Toutanova. 2019. [BERT: Pre-training of deep bidirectional transformers for language understanding](#). In *Proceedings of the 2019 Conference of the North American Chapter of the Association for Computational Linguistics: Human Language Technologies, Volume 1 (Long and Short Papers)*, pages 4171–4186, Minneapolis, Minnesota. Association for Computational Linguistics.
- Deepanway Ghosal, Navonil Majumder, Alexander Gelbukh, Rada Mihalcea, and Soujanya Poria. 2020. [COSMIC: COMmonSense knowledge for eMotion identification in conversations](#). In *Findings of the Association for Computational Linguistics: EMNLP 2020*, pages 2470–2481, Online. Association for Computational Linguistics.
- Deepanway Ghosal, Navonil Majumder, Soujanya Poria, Niyati Chhaya, and Alexander Gelbukh. 2019. [DialogueGCN: A graph convolutional neural network for emotion recognition in conversation](#). In *Proceedings of the 2019 Conference on Empirical Methods in Natural Language Processing and the 9th International Joint Conference on Natural Language Processing (EMNLP-IJCNLP)*, pages 154–164, Hong Kong, China. Association for Computational Linguistics.
- Jia-Chen Gu, Tianda Li, Quan Liu, Xiaodan Zhu, Zhen-Hua Ling, Zhiming Su, and Si Wei. 2020. [Speaker-aware BERT for multi-turn response selection in retrieval-based chatbots](#). *CoRR*, abs/2004.03588.
- Devamanyu Hazarika, Soujanya Poria, Rada Mihalcea, Erik Cambria, and Roger Zimmermann. 2018a. [ICON: Interactive conversational memory network for multimodal emotion detection](#). In *Proceedings of the 2018 Conference on Empirical Methods in Natural Language Processing*, pages 2594–2604, Brussels, Belgium. Association for Computational Linguistics.
- Devamanyu Hazarika, Soujanya Poria, Amir Zadeh, Erik Cambria, Louis-Philippe Morency, and Roger Zimmermann. 2018b. [Conversational memory network for emotion recognition in dyadic dialogue videos](#). In *Proceedings of the 2018 Conference of the North American Chapter of the Association for Computational Linguistics: Human Language Technologies, Volume 1 (Long Papers)*, pages 2122–2132, New Orleans, Louisiana. Association for Computational Linguistics.
- Dou Hu, Lingwei Wei, and Xiaoyong Huai. 2021. [Dialoguecrn: Contextual reasoning networks for emotion recognition in conversations](#). *CoRR*, abs/2106.01978.
- Taichi Ishiwatari, Yuki Yasuda, Taro Miyazaki, and Jun Goto. 2020. [Relation-aware graph attention networks with relational position encodings for emotion recognition in conversations](#). In *Proceedings of the 2020 Conference on Empirical Methods in Natural Language Processing (EMNLP)*, pages 7360–7370, Online. Association for Computational Linguistics.
- Wenxiang Jiao, Michael Lyu, and Irwin King. 2020. [Real-time emotion recognition via attention gated hierarchical memory network](#). *Proceedings of the AAAI Conference on Artificial Intelligence*, 34(05):8002–8009.
- Wenxiang Jiao, Haiqin Yang, Irwin King, and Michael R. Lyu. 2019. [HiGRU: Hierarchical gated recurrent units for utterance-level emotion recognition](#). In *Proceedings of the 2019 Conference of the North American Chapter of the Association for Computational Linguistics: Human Language Technologies, Volume 1 (Long and Short Papers)*, pages 397–406, Minneapolis, Minnesota. Association for Computational Linguistics.
- Taewoon Kim and Piek Vossen. 2021. [Emoberta: Speaker-aware emotion recognition in conversation with roberta](#). *CoRR*, abs/2108.12009.
- Bongseok Lee and Yong Suk Choi. 2021. [Graph based network with contextualized representations of turns in dialogue](#). *CoRR*, abs/2109.04008.
- Jingye Li, Donghong Ji, Fei Li, Meishan Zhang, and Yijiang Liu. 2020a. [HiTrans: A transformer-based context- and speaker-sensitive model for emotion detection in conversations](#). In *Proceedings of the 28th International Conference on Computational Linguistics*, pages 4190–4200, Barcelona, Spain (Online).

- International Committee on Computational Linguistics.
- Wei Li, Wei Shao, Shaoxiong Ji, and Erik Cambria. 2020b. [Bieru: Bidirectional emotional recurrent unit for conversational sentiment analysis](#). *CoRR*, abs/2006.00492.
- Yanran Li, Hui Su, Xiaoyu Shen, Wenjie Li, Ziqiang Cao, and Shuzi Niu. 2017. [Dailydialog: A manually labelled multi-turn dialogue dataset](#). *CoRR*, abs/1710.03957.
- Yinhan Liu, Myle Ott, Naman Goyal, Jingfei Du, Mandar Joshi, Danqi Chen, Omer Levy, Mike Lewis, Luke Zettlemoyer, and Veselin Stoyanov. 2019. [Roberta: A robustly optimized BERT pretraining approach](#). *CoRR*, abs/1907.11692.
- Minh-Thang Luong, Hieu Pham, and Christopher D. Manning. 2015. [Effective approaches to attention-based neural machine translation](#). *CoRR*, abs/1508.04025.
- Navonil Majumder, Soujanya Poria, Devamanyu Hazarika, Rada Mihalcea, Alexander Gelbukh, and Erik Cambria. 2019. [Dialoguernn: An attentive rnn for emotion detection in conversations](#). *Proceedings of the AAAI Conference on Artificial Intelligence*, 33(01):6818–6825.
- Yuzhao Mao, Qi Sun, Guang Liu, Xiaojie Wang, Weiguo Gao, Xuan Li, and Jianping Shen. 2020. [Dialoguetrm: Exploring the intra- and inter-modal emotional behaviors in the conversation](#). *CoRR*, abs/2010.07637.
- Soujanya Poria, Devamanyu Hazarika, Navonil Majumder, Gautam Naik, Erik Cambria, and Rada Mihalcea. 2018. [MELD: A multimodal multi-party dataset for emotion recognition in conversations](#). *CoRR*, abs/1810.02508.
- Weizhou Shen, Junqing Chen, Xiaojun Quan, and Zhixian Xie. 2020. [Dialogxl: All-in-one xlnet for multi-party conversation emotion recognition](#). *CoRR*, abs/2012.08695.
- Weizhou Shen, Siyue Wu, Yunyi Yang, and Xiaojun Quan. 2021. [Directed acyclic graph network for conversational emotion recognition](#). In *Proceedings of the 59th Annual Meeting of the Association for Computational Linguistics and the 11th International Joint Conference on Natural Language Processing (Volume 1: Long Papers)*, pages 1551–1560, Online. Association for Computational Linguistics.
- Dongming Sheng, Dong Wang, Ying Shen, Haitao Zheng, and Haozhuang Liu. 2020. [Summarize before aggregate: A global-to-local heterogeneous graph inference network for conversational emotion recognition](#). In *Proceedings of the 28th International Conference on Computational Linguistics*, pages 4153–4163, Barcelona, Spain (Online). International Committee on Computational Linguistics.
- Ashish Vaswani, Noam Shazeer, Niki Parmar, Jakob Uszkoreit, Llion Jones, Aidan N. Gomez, Lukasz Kaiser, and Illia Polosukhin. 2017. [Attention is all you need](#). *CoRR*, abs/1706.03762.
- Yan Wang, Jiayu Zhang, Jun Ma, Shaojun Wang, and Jing Xiao. 2020. [Contextualized emotion recognition in conversation as sequence tagging](#). In *Proceedings of the 21th Annual Meeting of the Special Interest Group on Discourse and Dialogue*, pages 186–195, 1st virtual meeting. Association for Computational Linguistics.
- Thomas Wolf, Lysandre Debut, Victor Sanh, Julien Chaumond, Clement Delangue, Anthony Moi, Pierric Cistac, Tim Rault, Remi Louf, Morgan Funtowicz, Joe Davison, Sam Shleifer, Patrick von Platen, Clara Ma, Yacine Jernite, Julien Plu, Canwen Xu, Teven Le Scao, Sylvain Gugger, Mariama Drame, Quentin Lhoest, and Alexander Rush. 2020. [Transformers: State-of-the-art natural language processing](#). In *Proceedings of the 2020 Conference on Empirical Methods in Natural Language Processing: System Demonstrations*, pages 38–45, Online. Association for Computational Linguistics.
- Changhua Yang, Kevin Hsin-Yih Lin, and Hsin-Hsi Chen. 2007. [Emotion classification using web blog corpora](#). In *2007 IEEE / WIC / ACM International Conference on Web Intelligence, WI2007, 2-5 November 2007, Silicon Valley, CA, USA, Main Conference Proceedings*, pages 275–278. IEEE Computer Society.
- Zhilin Yang, Zihang Dai, Yiming Yang, Jaime G. Carbonell, Ruslan Salakhutdinov, and Quoc V. Le. 2019. [Xlnet: Generalized autoregressive pretraining for language understanding](#). *CoRR*, abs/1906.08237.
- Sayed M. Zahiri and Jinho D. Choi. 2017. [Emotion detection on TV show transcripts with sequence-based convolutional neural networks](#). *CoRR*, abs/1708.04299.
- Dong Zhang, Liangqing Wu, Changlong Sun, Shoushan Li, Qiaoming Zhu, and Guodong Zhou. 2019. [Modeling both context- and speaker-sensitive dependence for emotion detection in multi-speaker conversations](#). In *Proceedings of the Twenty-Eighth International Joint Conference on Artificial Intelligence, IJCAI-19*, pages 5415–5421. International Joint Conferences on Artificial Intelligence Organization.
- Peixiang Zhong, Di Wang, and Chunyan Miao. 2019. [Knowledge-enriched transformer for emotion detection in textual conversations](#). In *Proceedings of the 2019 Conference on Empirical Methods in Natural Language Processing and the 9th International Joint Conference on Natural Language Processing (EMNLP-IJCNLP)*, pages 165–176, Hong Kong, China. Association for Computational Linguistics.
- Lixing Zhu, Gabriele Pergola, Lin Gui, Deyu Zhou, and Yulan He. 2021. [Topic-driven and knowledge-aware transformer for dialogue emotion detection](#).

In *Proceedings of the 59th Annual Meeting of the Association for Computational Linguistics and the 11th International Joint Conference on Natural Language Processing (Volume 1: Long Papers)*, pages 1571–1582, Online. Association for Computational Linguistics.

A Attention score (supplementary)

The attention score α_j^t of Formula (5) is as follows:

$$\alpha_j^t = Q_k^t \mathbf{K}_i^T \sqrt{d^K} \quad (11)$$

where $Q_j^t = \tilde{H}^t W_j^Q$, $\mathbf{K}_j = \tilde{H} W_j^K$

where d^K denotes the head dimension to correct the inner product. It is obtained by dividing the model dimension by the number of J heads. W_j^Q and W_j^K denote learning parameters for the query and key process, respectively. Q_j^t and K_j take a linear transformation to d^K from the turn-based vector at the t^{th} turn for the query process and the list of the scaled vectors for the key process in all turns, respectively. The superscript T denotes transpose.

B Experimental environment

Item	Value
OS	Ubuntu18.04
CUDA Version	10.2
GPU Card	Quadro RTX 8000
GPU RAM Size	48 GB
CPU	Intel® Xeon® Gold 5222, 3.8GHz
Deep Learning Framework	PyTorch
PyTorch versio	1.8.1
Python version	3.7

Table 7: Computer specifications settings

HyberParameter	Value
pretrained model	RoBERTa-large
optimizer	Adam
initial learning rate	2.00e-06
decay type of learning rate (LR)	DailyDiloag: Micro F1 The others: W-Avg F1
LR decay factor	0.8
early stopping	not improved within 5 epochs
batch size	4
number of trials	5
fixed seeds in trials	1111, 2222, 3333, 4444, 5555
dropout	0.1
# attention layers	2, 4, 6
# attention heads	4, 8, 16
maximum coefficient of normal distribution	1.5, 2, 3, 5

Table 8: Hyperparameter settings