

Topological Gauge Theories with Sixteen Supercharges: Higher A_∞ -categorification of Floer Homologies

Arif Er* and Meng-Chwan Tan†

*Department of Physics
National University of Singapore
2 Science Drive 3, Singapore 117551*

Abstract

This work is a sequel to [1], and a third and final installment of the program initiated in [2]. We will show how, via a 3d gauged Landau-Ginzburg model interpretation of certain topologically-twisted 5d $\mathcal{N} = 2$ and 8d $\mathcal{N} = 1$ gauge theories, one can derive novel Fueter type A_∞ -2-categories that 2-categorify the 3d-Haydys-Witten, Haydys-Witten, and holomorphic Donaldson-Thomas Floer homology of two, four, and five-manifolds, respectively. Via a 2d gauged Landau-Ginzburg model interpretation of the aforementioned twisted gauge theories, these Fueter type A_∞ -2-categories can be shown to be equivalent to corresponding Fukaya-Seidel type A_∞ -categories. Together with previous results from [1] and [2], our work will furnish purely physical proofs and generalizations of the mathematical conjectures by Bousseau [3] and Doan-Rezchikov [4].

*Email: arif.er@u.nus.edu

†Email:mctan@nus.edu.sg

Contents

1	Introduction, Summary and Acknowledgements	2
2	The Topologically-twisted Gauge Theories	6
2.1	Haydys-Witten Theory: A Topologically-twisted 5d $\mathcal{N} = 2$ Gauge Theory	6
2.2	Spin(7) Theory: A Topologically-twisted 8d $\mathcal{N} = 1$ Gauge Theory	8
3	A Fueter type A_∞-2-category of Two-Manifolds	9
3.1	HW Theory on $M_2 \times \mathbb{R}^3$ as a 3d Model on \mathbb{R}^3 , 2d Model on \mathbb{R}^2 , or 1d SQM	9
3.2	Non-constant Double Paths, Sheets, Solitons, and the 3d-HW Floer Homology of M_2	13
3.3	The 2d Model and Open Strings, the 3d Model and Open Membranes	16
3.4	Soliton String Theory, the HW Partition Function, and an FS type A_∞ -category of \mathfrak{A}_2^θ -solitons	21
3.5	Soliton Membrane Theory, the HW Partition Function, and a Fueter type A_∞ -2-category 2-categorifying the 3d-HW Floer Homology of M_2	26
4	A Fueter type A_∞-2-category of Five-Manifolds	33
4.1	Spin(7) Theory on $CY_2 \times S^1 \times \mathbb{R}^3$ as a 3d Model on \mathbb{R}^3 , 2d Model on \mathbb{R}^2 , or 1d SQM	33
4.2	Non-constant Paths, Solitons, Sheets, and the Holomorphic DT Floer Homology of CY_2	36
4.3	The 2d Model and Open Strings, the 3d Model and Open Membranes	39
4.4	Soliton String Theory, the Spin(7) Partition Function, and an FS type A_∞ -category of \mathfrak{A}_5^θ -solitons	41
4.5	Soliton Membrane Theory, the Spin(7) Partition Function, and a Fueter type A_∞ -2-category 2-categorifying the Holomorphic DT Floer Homology of $CY_2 \times S^1$	46
5	A Fueter type A_∞-2-category of Four-Manifolds	50
5.1	7d-Spin(7) Theory on $CY_2 \times \mathbb{R}^3$ as a 3d Model on \mathbb{R}^3 , 2d Model on \mathbb{R}^2 , or 1d SQM .	50
5.2	Non-constant Paths, Solitons, Sheets, and the HW Floer Homology of CY_2	53
5.3	The 2d Model and Open Strings, the 3d Model and Open Membranes	56
5.4	Soliton String Theory, the 7d-Spin(7) Partition Function, and an FS type A_∞ -category of \mathfrak{A}_4^θ -solitons	58
5.5	Soliton Membrane Theory, the 7d-Spin(7) Partition Function, and a Fueter type A_∞ -2-category 2-categorifying the HW Floer Homology of CY_2	62
6	Physical Proofs and Generalizations of Mathematical Conjectures	66
6.1	Proving and Generalizing Bousseau’s Atiyah-Floer type Correspondences	66
6.2	Proving and Generalizing Bousseau-Doan-Rezchikov’s Conjecture	68

1 Introduction, Summary and Acknowledgements

Introduction

The program of studying the A_∞ -categorical aspects of topologically-twisted gauge theories with sixteen supercharges began in [2], where we physically realized, from a 5d $\mathcal{N} = 2$ gauge theory, Haydys' construction of a *gauge-theoretic* Fukaya-Seidel (FS) type A_∞ -category of three-manifolds categorifying a *gauge-theoretic* Floer homology of three-manifolds [5]. In a sequel paper [1], we were able to physically realize, from an 8d $\mathcal{N} = 1$ gauge theory, FS type A_∞ -categories of six, five, and four-manifolds categorifying Floer homologies of the said manifolds.

In the previous two works, we saw that to configurations on a D -manifold, M_D , one can associate a Floer homology of M_D 0-category realized by the partition function of a gauge theory on $M_D \times \mathbb{R}$, which, in turn, can be categorified into an FS type A_∞ -category of M_D 1-category realized by the partition function of a gauge theory on $M_D \times \mathbb{R}^2$.

This systematic process hints at the possibility of a higher categorification of Floer homologies simply by studying gauge theories with an increasing number of \mathbb{R} lines. As a final installment to this program, we will do just this.

To this end, we will study, on various five and Spin(7)-manifolds¹ with \mathbb{R}^3 submanifolds within, the aforementioned 5d $\mathcal{N} = 2$ and 8d $\mathcal{N} = 1$ topologically-twisted gauge theories whose BPS equations are the Haydys-Witten (HW) and Spin(7) instanton equation, respectively.

The computational techniques we employ in this paper are mainly that of standard Kaluza-Klein reduction; recasting gauge theories as supersymmetric quantum mechanics as pioneered in [7]; the physical realization of Floer homologies via supersymmetric quantum mechanics of gauge theories with sixteen supercharges as elucidated in [2, 8]; and the physical realization of FS type A_∞ -categories via a soliton string theory as elucidated in [1, 2].

Let us now give a brief plan and summary of the paper.

A Brief Plan and Summary of the Paper

In §2, we discuss certain topologically-twisted gauge theories with sixteen supercharges, where the gauge group G is taken to be a real, simple, compact Lie group. In particular, we discuss (i) the HW theory, i.e., a 5d $\mathcal{N} = 2$ theory on $M_5 = M_4 \times \mathbb{R}$ with an HW twist; and (ii) the Spin(7) theory, i.e., an 8d $\mathcal{N} = 1$ theory on a Spin(7)-manifold² with a “trivial” twist.

In §3, we consider HW theory where $M_4 = M_2 \times \mathbb{R}^2$, and it is equivalently recast as (i) a 3d gauged Landau-Ginzburg (LG) model on \mathbb{R}^3 with target the space \mathfrak{A}_2 of irreducible (\mathcal{A}, C) fields on M_2 , where $\mathcal{A} \in \Omega^1(M_2, \text{ad}(G_{\mathbb{C}}))$ and $C \in \Omega^0(M_2, \text{ad}(G))$ are a holomorphic gauge connection and real scalar, with $G_{\mathbb{C}}$ being the corresponding complex Lie group; or (ii) a 2d gauged LG model

¹A Spin(7)-manifold is an eight-manifold with Spin(7) holonomy [6, Prop. 10.5.3].

²See footnote 1.

on \mathbb{R}^2 with target the path space $\mathcal{M}(\mathbb{R}, \mathfrak{A}_2)$ of maps from \mathbb{R} to \mathfrak{A}_2 , which, in turn, can be recast as a 1d SQM theory in the double path space $\mathcal{M}(\mathbb{R}^2, \mathfrak{A}_2)$ of double paths from \mathbb{R}^2 to \mathfrak{A}_2 .

From the SQM and its critical points that can be interpreted as LG $\mathcal{M}^\theta(\mathbb{R}, \mathfrak{A}_2)$ -solitons in the 2d gauged LG model, we obtain (3.47):

$$\boxed{\text{Hom}(\gamma^{IJ}(\mathfrak{A}_2), \gamma^{KL}(\mathfrak{A}_2))_{\pm} \iff \text{HF}_{d_m}^G(p_{\text{BF}, \pm}^{IJ, KL})} \quad (1.1)$$

Here, $\text{HF}_{d_m}^G(p_{\text{BF}, \pm}^{IJ, KL})$ is a Floer homology class, of degree d_m , generated by $p_{\text{BF}, \pm}^{IJ, KL}$, the intersection points of left and right thimbles representing LG $\mathcal{M}^\theta(\mathbb{R}, \mathfrak{A}_2)$ -solitons that can be described as morphisms $\text{Hom}(\gamma^{IJ}(\mathfrak{A}_2), \gamma^{KL}(\mathfrak{A}_2))_{\pm}$ whose endpoints $\gamma^{**}(\mathfrak{A}_2)$ correspond to \mathfrak{A}_2^θ -solitons. Furthermore, via the aforementioned equivalent description of HW theory as a 2d gauged LG model, we can interpret the normalized 5d partition function as a sum over tree-level scattering amplitudes of LG $\mathcal{M}^\theta(\mathbb{R}, \mathfrak{A}_2)$ -soliton strings given by the composition map of morphisms (3.50):

$$\boxed{\mu_{\mathfrak{A}_2}^{\mathfrak{N}_l} : \bigotimes_{i=1}^{\mathfrak{N}_l} \text{Hom}(\gamma^{I_{2i-1}I_{2i}}(\mathfrak{A}_2), \gamma^{I_{2(i+1)-1}I_{2(i+1)}}(\mathfrak{A}_2))_- \longrightarrow \text{Hom}(\gamma^{I_1I_2}(\mathfrak{A}_2), \gamma^{I_{2\mathfrak{N}_l+1}I_{2\mathfrak{N}_l+2}}(\mathfrak{A}_2))_+} \quad (1.2)$$

where $\text{Hom}(\gamma^{**}(\mathfrak{A}_2), \gamma^{**}(\mathfrak{A}_2))_-$ and $\text{Hom}(\gamma^{**}(\mathfrak{A}_2), \gamma^{**}(\mathfrak{A}_2))_+$ represent incoming and outgoing scattering LG $\mathcal{M}^\theta(\mathbb{R}, \mathfrak{A}_2)$ -soliton strings, as shown in Fig. 4.

The SQM and its critical points can also be interpreted as LG \mathfrak{A}_2^θ -sheets in the 3d gauged LG model, from which we obtain (3.65):

$$\boxed{\text{Hom}(\Gamma^{IJ}(t, \mathfrak{A}_2), \Gamma^{KL}(t, \mathfrak{A}_2))_{\pm} \iff \text{Hom}(\text{Hom}(\mathcal{E}_{\text{BF}}^I, \mathcal{E}_{\text{BF}}^J), \text{Hom}(\mathcal{E}_{\text{BF}}^K, \mathcal{E}_{\text{BF}}^L))_{\pm} \iff \text{HF}_{d_m}^G(P_{\text{BF}, \pm}^{IJ, KL})} \quad (1.3)$$

Here, $\text{HF}_{d_m}^G(P_{\text{BF}, \pm}^{IJ, KL})$ is a Floer homology class, of degree d_m , generated by $P_{\text{BF}, \pm}^{IJ, KL}$, the intersection points of thimble-intersections representing LG \mathfrak{A}_2^θ -sheets that can be described as (i) 1-morphisms $\text{Hom}(\Gamma^{IJ}(t, \mathfrak{A}_2), \Gamma^{KL}(t, \mathfrak{A}_2))_{\pm}$ whose edges $\Gamma^{**}(t, \mathfrak{A}_2)$ correspond to \mathfrak{A}_2^θ -solitons, or (ii) 2-morphisms $\text{Hom}(\text{Hom}(\mathcal{E}_{\text{BF}}^I, \mathcal{E}_{\text{BF}}^J), \text{Hom}(\mathcal{E}_{\text{BF}}^K, \mathcal{E}_{\text{BF}}^L))_{\pm}$ whose vertices $\mathcal{E}_{\text{BF}}^*$ correspond to (θ -deformed) $G_{\mathbb{C}}$ -BF configurations on M_2 which generate a 3d-HW Floer homology. Furthermore, via the aforementioned equivalent description of HW theory as a 3d gauged LG model, we can also interpret the normalized 5d partition function as a sum over tree-level scattering amplitudes of LG soliton \mathfrak{A}_2^θ -membranes given by the composition map of 2-morphisms (3.68):

$$\boxed{\Pi_{\mathfrak{A}_2}^{\mathfrak{N}_l} : \bigotimes_{i=1}^{\mathfrak{N}_l} \text{Hom}(\text{Hom}(\mathcal{E}_{\text{BF}}^{I_{2i-1}}, \mathcal{E}_{\text{BF}}^{I_{2i}}), \text{Hom}(\mathcal{E}_{\text{BF}}^{I_{2(i+1)-1}}, \mathcal{E}_{\text{BF}}^{I_{2(i+1)}}))_- \longrightarrow \text{Hom}(\text{Hom}(\mathcal{E}_{\text{BF}}^{I_1}, \mathcal{E}_{\text{BF}}^{I_2}), \text{Hom}(\mathcal{E}_{\text{BF}}^{I_{2\mathfrak{N}_l+1}}, \mathcal{E}_{\text{BF}}^{I_{2\mathfrak{N}_l+2}}))_+} \quad (1.4)$$

where $\text{Hom}(\text{Hom}(\mathcal{E}_{\text{BF}}^*, \mathcal{E}_{\text{BF}}^*), \text{Hom}(\mathcal{E}_{\text{BF}}^*, \mathcal{E}_{\text{BF}}^*))_-$ and $\text{Hom}(\text{Hom}(\mathcal{E}_{\text{BF}}^*, \mathcal{E}_{\text{BF}}^*), \text{Hom}(\mathcal{E}_{\text{BF}}^*, \mathcal{E}_{\text{BF}}^*))_+$ represent incoming and outgoing scattering LG \mathfrak{A}_2^θ -membranes, as shown in Fig. 5.

Note that (1.1) and (1.2) underlie a *novel* FS type A_∞ -category of \mathfrak{A}_2^θ -solitons, while (1.3) and (1.4) underlie a *novel* Fueter type A_∞ -2-category which 2-categorifies the 3d-HW Floer homology

of M_2 ! Moreover, these categories ought to be equivalent!

In §4, we consider Spin(7) theory on $CY_2 \times S^1 \times \mathbb{R}^3$, where CY_2 is a closed and compact Calabi-Yau twofold, and it is equivalently recast as (i) a 3d gauged LG model on \mathbb{R}^3 with target the space \mathfrak{A}_5 of irreducible (\mathcal{A}, C) fields on $CY_2 \times S^1$, where $\mathcal{A} \in \Omega^{(1,0)}(CY_2, \text{ad}(G)) \otimes \Omega^0(S^1 \times \mathbb{R}^3, \text{ad}(G))$ and $C \in \Omega^1(S^1, \text{ad}(G)) \otimes \Omega^0(CY_2 \times \mathbb{R}^3, \text{ad}(G))$; or (ii) a 2d gauged LG model on \mathbb{R}^2 with target the path space $\mathcal{M}(\mathbb{R}, \mathfrak{A}_5)$ of maps from \mathbb{R} to \mathfrak{A}_5 , which, in turn, can be recast as a 1d SQM theory in the double path space $\mathcal{M}(\mathbb{R}^2, \mathfrak{A}_5)$ of double paths from \mathbb{R}^2 to \mathfrak{A}_5 .

From the SQM and its critical points that can be interpreted as LG $\mathcal{M}^\theta(\mathbb{R}, \mathfrak{A}_5)$ -solitons in the 2d gauged LG model, we obtain (4.30):

$$\boxed{\text{Hom}(\gamma^{IJ}(\mathfrak{A}_5), \gamma^{KL}(\mathfrak{A}_5))_{\pm} \iff \text{HF}_{d_u}^G(P_{\text{HW}, \pm}^{IJ, KL})} \quad (1.5)$$

Here, $\text{HF}_{d_u}^G(P_{\text{HW}, \pm}^{IJ, KL})$ is a Floer homology class, of degree d_u , generated by $P_{\text{HW}, \pm}^{IJ, KL}$, the intersection points of left and right thimbles representing LG $\mathcal{M}^\theta(\mathbb{R}, \mathfrak{A}_5)$ -solitons that can be described as morphisms $\text{Hom}(\gamma^{IJ}(\mathfrak{A}_5), \gamma^{KL}(\mathfrak{A}_5))_{\pm}$ whose endpoints $\gamma^{**}(\mathfrak{A}_5)$ correspond to \mathfrak{A}_5^θ -solitons. Furthermore, via the aforementioned equivalent description of Spin(7) theory as a 2d gauged LG model, we can interpret the normalized 8d partition function as a sum over tree-level scattering amplitudes of LG $\mathcal{M}^\theta(\mathbb{R}, \mathfrak{A}_5)$ -soliton strings given by the composition map of morphisms (4.33):

$$\boxed{\mu_{\mathfrak{A}_5}^{\mathfrak{N}_m} : \bigotimes_{i=1}^{\mathfrak{N}_m} \text{Hom}(\gamma^{I_{2i-1}I_{2i}}(\mathfrak{A}_5), \gamma^{I_{2(i+1)-1}I_{2(i+1)}}(\mathfrak{A}_5))_- \longrightarrow \text{Hom}(\gamma^{I_1I_2}(\mathfrak{A}_5), \gamma^{I_{2\mathfrak{N}_m+1}I_{2\mathfrak{N}_m+2}}(\mathfrak{A}_5))_+} \quad (1.6)$$

where $\text{Hom}(\gamma^{**}(\mathfrak{A}_5), \gamma^{**}(\mathfrak{A}_5))_-$ and $\text{Hom}(\gamma^{**}(\mathfrak{A}_5), \gamma^{**}(\mathfrak{A}_5))_+$ represent incoming and outgoing scattering LG $\mathcal{M}^\theta(\mathbb{R}, \mathfrak{A}_5)$ -soliton strings.

The SQM and its critical points can also be interpreted as LG \mathfrak{A}_5^θ -sheets in the 3d gauged LG model, from which we obtain (4.42):

$$\boxed{\text{Hom}(\Gamma^{IJ}(t, \mathfrak{A}_5), \Gamma^{KL}(t, \mathfrak{A}_5))_{\pm} \iff \text{Hom}(\text{Hom}(\mathcal{E}_{\text{HW}}^I, \mathcal{E}_{\text{HW}}^J), \text{Hom}(\mathcal{E}_{\text{HW}}^K, \mathcal{E}_{\text{HW}}^L))_{\pm} \iff \text{HF}_{d_u}^G(P_{\text{HW}, \pm}^{IJ, KL})} \quad (1.7)$$

Here, $\text{HF}_{d_u}^G(P_{\text{HW}, \pm}^{IJ, KL})$ is a Floer homology class, of degree d_u , generated by $P_{\text{HW}, \pm}^{IJ, KL}$, the intersection points of thimble-intersections representing LG \mathfrak{A}_5^θ -sheets that can be described as (i) 1-morphisms $\text{Hom}(\Gamma^{IJ}(t, \mathfrak{A}_5), \Gamma^{KL}(t, \mathfrak{A}_5))_{\pm}$ whose edges $\Gamma^{**}(t, \mathfrak{A}_5)$ correspond to \mathfrak{A}_5^θ -solitons, or (ii) 2-morphisms $\text{Hom}(\text{Hom}(\mathcal{E}_{\text{HW}}^I, \mathcal{E}_{\text{HW}}^J), \text{Hom}(\mathcal{E}_{\text{HW}}^K, \mathcal{E}_{\text{HW}}^L))_{\pm}$ whose vertices $\mathcal{E}_{\text{HW}}^*$ correspond to (θ -deformed) HW configurations on $CY_2 \times S^1$ which generate a holomorphic Donaldson-Thomas (DT) Floer homology. Furthermore, via the aforementioned equivalent description of Spin(7) theory as a 3d gauged LG model, we can also interpret the normalized 8d partition function as a sum over tree-level scattering amplitudes of LG soliton \mathfrak{A}_5^θ -membranes given by the composition map of 2-morphisms (4.45):

$$\boxed{\Pi_{\mathfrak{A}_5}^{\mathfrak{N}_m} : \bigotimes_{i=1}^{\mathfrak{N}_m} \text{Hom}(\text{Hom}(\mathcal{E}_{\text{HW}}^{I_{2i-1}}, \mathcal{E}_{\text{HW}}^{I_{2i}}), \text{Hom}(\mathcal{E}_{\text{HW}}^{I_{2(i+1)-1}}, \mathcal{E}_{\text{HW}}^{I_{2(i+1)}}))_- \longrightarrow \text{Hom}(\text{Hom}(\mathcal{E}_{\text{HW}}^{I_1}, \mathcal{E}_{\text{HW}}^{I_2}), \text{Hom}(\mathcal{E}_{\text{HW}}^{I_{2\mathfrak{N}_m+1}}, \mathcal{E}_{\text{HW}}^{I_{2\mathfrak{N}_m+2}}))_+} \quad (1.8)$$

where $\text{Hom}\left(\text{Hom}(\mathcal{E}_{\text{HW}}^*, \mathcal{E}_{\text{HW}}^*), \text{Hom}(\mathcal{E}_{\text{HW}}^*, \mathcal{E}_{\text{HW}}^*)\right)_-$ and $\text{Hom}\left(\text{Hom}(\mathcal{E}_{\text{HW}}^*, \mathcal{E}_{\text{HW}}^*), \text{Hom}(\mathcal{E}_{\text{HW}}^*, \mathcal{E}_{\text{HW}}^*)\right)_+$ represent incoming and outgoing scattering LG \mathfrak{A}_5^θ -membranes.

Note that (1.5) and (1.6) underlie a *novel* Fukaya-Seidel (FS) type A_∞ -category of \mathfrak{A}_5^θ -solitons, while (1.7) and (1.8) underlie a *novel* Fueter type A_∞ -2-category which 2-categorifies the holomorphic DT Floer homology of $CY_2 \times S^1$! Moreover, these categories ought to be equivalent!

In §5, we perform a Kaluza-Klein dimensional reduction of Spin(7) theory on $CY_2 \times S^1 \times \mathbb{R}^3$ along the S^1 circle by shrinking it to be infinitesimally small. The resulting 7d-Spin(7) theory on $CY_2 \times \mathbb{R}^3$ is equivalently recast as (i) a 3d gauged LG model on \mathbb{R}^3 with target the space \mathfrak{A}_4 of irreducible (\mathcal{A}, C) fields on CY_2 , where $\mathcal{A} \in \Omega^{(1,0)}(CY_2, \text{ad}(G)) \otimes \Omega^0(\mathbb{R}^3, \text{ad}(G))$ and $C \in \Omega^0(CY_2 \times \mathbb{R}^3, \text{ad}(G))$; or (ii) a 2d gauged LG model on \mathbb{R}^2 with target the path space $\mathcal{M}(\mathbb{R}, \mathfrak{A}_4)$ of maps from \mathbb{R} to \mathfrak{A}_4 , which, in turn, can be recast as a 1d SQM theory in the double path space $\mathcal{M}(\mathbb{R}^2, \mathfrak{A}_4)$ of double paths from \mathbb{R}^2 to \mathfrak{A}_4 .

From the SQM and its critical points that can be interpreted as LG $\mathcal{M}^\theta(\mathbb{R}, \mathfrak{A}_4)$ -solitons in the 2d gauged LG model, we obtain (5.28):

$$\boxed{\text{Hom}(\gamma^{IJ}(\mathfrak{A}_4), \gamma^{KL}(\mathfrak{A}_4))_\pm \iff \text{HF}_{d_v}^G(p_{\text{VW}, \pm}^{IJ, KL})} \quad (1.9)$$

Here, $\text{HF}_{d_v}^G(p_{\text{VW}, \pm}^{IJ, KL})$ is a Floer homology class, of degree d_v , generated by $p_{\text{VW}, \pm}^{IJ, KL}$, the intersection points of left and right thimbles representing LG $\mathcal{M}^\theta(\mathbb{R}, \mathfrak{A}_4)$ -solitons that can be described as morphisms $\text{Hom}(\gamma^{IJ}(\mathfrak{A}_4), \gamma^{KL}(\mathfrak{A}_4))_\pm$ whose endpoints $\gamma^{**}(\mathfrak{A}_4)$ correspond to \mathfrak{A}_4^θ -solitons. Furthermore, via the aforementioned equivalent description of 7d-Spin(7) theory as a 2d gauged LG model, we can interpret the normalized 5d partition function as a sum over tree-level scattering amplitudes of LG $\mathcal{M}^\theta(\mathbb{R}, \mathfrak{A}_4)$ -soliton strings given by the composition map of morphisms (5.31):

$$\boxed{\mu_{\mathfrak{A}_4}^{\mathfrak{A}_n} : \bigotimes_{i=1}^{\mathfrak{A}_n} \text{Hom}(\gamma^{I_{2i-1}I_{2i}}(\mathfrak{A}_4), \gamma^{I_{2(i+1)-1}I_{2(i+1)}}(\mathfrak{A}_4))_- \longrightarrow \text{Hom}(\gamma^{I_1I_2}(\mathfrak{A}_4), \gamma^{I_{2\mathfrak{A}_n+1}I_{2\mathfrak{A}_n+2}}(\mathfrak{A}_4))_+} \quad (1.10)$$

where $\text{Hom}(\gamma^{**}(\mathfrak{A}_4), \gamma^{**}(\mathfrak{A}_4))_-$ and $\text{Hom}(\gamma^{**}(\mathfrak{A}_4), \gamma^{**}(\mathfrak{A}_4))_+$ represent incoming and outgoing scattering LG $\mathcal{M}^\theta(\mathbb{R}, \mathfrak{A}_4)$ -soliton strings.

The SQM and its critical points can also be interpreted as LG \mathfrak{A}_4^θ -sheets in the 3d gauged LG model, from which we obtain (5.40):

$$\boxed{\text{Hom}(\Gamma^{IJ}(t, \mathfrak{A}_4), \Gamma^{KL}(t, \mathfrak{A}_4))_\pm \iff \text{Hom}(\text{Hom}(\mathcal{E}_{\text{VW}}^I, \mathcal{E}_{\text{VW}}^J), \text{Hom}(\mathcal{E}_{\text{VW}}^K, \mathcal{E}_{\text{VW}}^L))_\pm \iff \text{HF}_{d_v}^G(p_{\text{VW}, \pm}^{IJ, KL})} \quad (1.11)$$

Here, $\text{HF}_{d_v}^G(p_{\text{VW}, \pm}^{IJ, KL})$ is a Floer homology class, of degree d_v , generated by $p_{\text{VW}, \pm}^{IJ, KL}$, the intersection points of thimble-intersections representing LG \mathfrak{A}_4^θ -sheets that can be described as (i) 1-morphisms $\text{Hom}(\Gamma^{IJ}(t, \mathfrak{A}_4), \Gamma^{KL}(t, \mathfrak{A}_4))_\pm$ whose edges $\Gamma^{**}(t, \mathfrak{A}_4)$ correspond to \mathfrak{A}_4^θ -solitons, or (ii) 2-morphisms $\text{Hom}(\text{Hom}(\mathcal{E}_{\text{VW}}^I, \mathcal{E}_{\text{VW}}^J), \text{Hom}(\mathcal{E}_{\text{VW}}^K, \mathcal{E}_{\text{VW}}^L))_\pm$ whose vertices $\mathcal{E}_{\text{VW}}^*$ correspond to $(\theta$ -deformed) VW configurations on CY_2 which generate a HW Floer homology. Furthermore, via the aforementioned equivalent description of 7d-Spin(7) theory as a 3d gauged LG model, we can also interpret the normalized 7d partition function as a sum over tree-level scattering amplitudes of LG soliton

\mathfrak{A}_4^θ -membranes given by the composition map of 2-morphisms (5.43):

$$\boxed{\begin{aligned} \Pi_{\mathfrak{A}_4}^{\mathfrak{N}_n} : & \bigotimes_{i=1}^{\mathfrak{N}_n} \text{Hom} \left(\text{Hom} \left(\mathcal{E}_{\text{VW}}^{I_{2i-1}}, \mathcal{E}_{\text{VW}}^{I_{2i}} \right), \text{Hom} \left(\mathcal{E}_{\text{VW}}^{I_{2(i+1)-1}}, \mathcal{E}_{\text{VW}}^{I_{2(i+1)}} \right) \right)_- \\ & \longrightarrow \text{Hom} \left(\text{Hom} \left(\mathcal{E}_{\text{VW}}^{I_1}, \mathcal{E}_{\text{VW}}^{I_2} \right), \text{Hom} \left(\mathcal{E}_{\text{VW}}^{I_{2\mathfrak{N}_n+1}}, \mathcal{E}_{\text{VW}}^{I_{2\mathfrak{N}_n+2}} \right) \right)_+ \end{aligned}} \quad (1.12)$$

where $\text{Hom} \left(\text{Hom}(\mathcal{E}_{\text{VW}}^*, \mathcal{E}_{\text{VW}}^*), \text{Hom}(\mathcal{E}_{\text{VW}}^*, \mathcal{E}_{\text{VW}}^*) \right)_-$ and $\text{Hom} \left(\text{Hom}(\mathcal{E}_{\text{VW}}^*, \mathcal{E}_{\text{VW}}^*), \text{Hom}(\mathcal{E}_{\text{VW}}^*, \mathcal{E}_{\text{VW}}^*) \right)_+$ represent incoming and outgoing scattering LG \mathfrak{A}_4^θ -membranes.

Note that (1.9) and (1.10) underlie a *novel* Fukaya-Seidel (FS) type A_∞ -category of \mathfrak{A}_4^θ -solitons, while (1.11) and (1.12) underlie a *novel* Fueter type A_∞ -2-category which 2-categorifies the HW Floer homology of CY_2 ! Moreover, these categories ought to be equivalent!

In §6, we find, in §6.1, that we can interpret [2, eqn. (9.43)] and [1, eqn (12.15)] as Bousseau-Doan-Rezchikov's Fueter 2-category. This will then allow us to prove and generalize Bousseau's mathematical conjectures in [3, Conjectures 2.14 and 2.15]. In §6.2, using the results of §6.1, we prove the mathematical conjectures by Bousseau [3, Conjecture 2.10] and Doan-Rezchikov [4, Conjecture 1.5]. And finally, via the results of §3–§5, we will arrive at a gauge-theoretic generalization of the latter!

Acknowledgements

We would like to thank R.P. Thomas and D. Joyce for useful discussions. This work is supported in part by the MOE AcRF Tier 1 grant R-144-000-470-114.

2 The Topologically-twisted Gauge Theories

In this section, we will introduce the various topologically-twisted gauge theories that we will use in the rest of this paper, where the gauge group is taken to be a real, simple, and compact Lie group G .

2.1 Haydys-Witten Theory: A Topologically-twisted 5d $\mathcal{N} = 2$ Gauge Theory

The first topologically-twisted gauge theory that we will introduce, is a topologically-twisted 5d $\mathcal{N} = 2$ gauge theory on a five manifold $M_5 = M_4 \times \mathbb{R}$ with a Haydys-Witten (HW) twist,³ whose BPS equations are the HW equations. We shall henceforth refer to this theory as HW theory.

The bosonic field content of HW theory consists of scalars $v, \bar{v} \in \Omega^0(M_4 \times \mathbb{R}, \text{ad}(G))$, gauge connections $A_\mu \in \Omega^1(M_4, \text{ad}(G)) \otimes \Omega^0(\mathbb{R}, \text{ad}(G))$ and $A_t \in \Omega^0(M_4, \text{ad}(G)) \otimes \Omega^1(\mathbb{R}, \text{ad}(G))$, and a self-dual two-form $B_{\mu\nu} \in \Omega^{2,+}(M_4, \text{ad}(G)) \otimes \Omega^0(\mathbb{R}, \text{ad}(G))$. The fermionic field content consists of scalars $\eta, \tilde{\eta} \in \Omega^0(M_4 \times \mathbb{R}, \text{ad}(G))$, one-forms $\psi_\mu, \tilde{\psi}_\mu \in \Omega^1(M_4, \text{ad}(G)) \otimes \Omega^0(\mathbb{R}, \text{ad}(G))$, and self-dual two-forms $\chi_{\mu\nu}, \tilde{\chi}_{\mu\nu} \in \Omega^{2,+}(M_4, \text{ad}(G)) \otimes \Omega^0(\mathbb{R}, \text{ad}(G))$. Here, $\mu \in \{1, \dots, 4\}$ are the indices of M_4 , t is the coordinate along \mathbb{R} , and $\text{ad}(G)$ is the adjoint bundle of the underlying principal G -bundle.

³We refer the reader to [2, 9, 10] for a detailed description of the twist.

As the supersymmetry generators transform in the same representation as the fermions above, the HW twist will result in two, linearly-dependent, *scalar* supersymmetry generators \mathcal{Q} and $\bar{\mathcal{Q}}$. Thus, we can just choose \mathcal{Q} to define the twisted theory. Its supersymmetry transformations of the twisted fields work out to be [2]

$$\begin{aligned}
\delta v &= 0, & \delta \eta &= -2iD_t v, \\
\delta \bar{v} &= -i\tilde{\eta}, & \delta \tilde{\eta} &= -2[v, \bar{v}], \\
\delta A_\mu &= \psi_\mu, & \delta \psi_\mu &= -2iD_\mu v, \\
\delta A_t &= \eta, & \delta \tilde{\psi}_\mu &= -F_{t\mu} + D^\nu B_{\nu\mu}, \\
\delta B_{\mu\nu} &= \chi_{\mu\nu}, & \delta \chi_{\mu\nu} &= -i[B_{\mu\nu}, v], \\
& & \delta \tilde{\chi}_{\mu\nu} &= F_{\mu\nu}^+ + \frac{1}{4}[B_{\mu\rho}, B_\nu^\rho] + \frac{1}{2}D_t B_{\mu\nu},
\end{aligned} \tag{2.1}$$

where δ denotes a \mathcal{Q} -variation; $F_{\mu\nu}^+ = \frac{1}{2}(F_{\mu\nu} + \frac{1}{2}\epsilon_{\mu\nu\rho\lambda}F^{\rho\lambda})$ is the self-dual component of $F_{\mu\nu}$; self-duality of the self-dual fields $\Phi = \{B, \chi, \tilde{\chi}\}$ means that $\Phi_{\mu\nu} = \frac{1}{2}\epsilon_{\mu\nu\rho\lambda}\Phi^{\rho\lambda}$; and $[B_{\mu\rho}, B_\nu^\rho] \equiv g^{\rho\sigma}[B_{\mu\rho}, B_{\sigma\nu}]$.

A straightforward calculation will show that the \mathcal{Q} -variation is nilpotent up to gauge transformations generated by v . As we wish to study the theory whereby the relevant moduli space is well-behaved (which corresponds to no reducible connections), we shall consider the case where v has no zero-modes.

Setting to zero the \mathcal{Q} -variations of the fermions in (2.1), we obtain the BPS equations (obeyed by the zero-modes) of HW theory as⁴

$$\begin{aligned}
F_{t\mu} - D^\nu B_{\nu\mu} &= 0, \\
F_{\mu\nu}^+ + \frac{1}{4}[B_{\mu\rho}, B_\nu^\rho] + \frac{1}{2}D_t B_{\mu\nu} &= 0.
\end{aligned} \tag{2.2}$$

These are the HW equations on $M_4 \times \mathbb{R}$. Configurations of $(A_\mu, B_{\mu\nu})$ satisfying (2.2) constitute a moduli space \mathcal{M}_{HW} that the HW theory path integral will localize onto.

Finally, the topological action of HW theory is given as [2, 9]

$$\begin{aligned}
S_{\text{HW}} &= \frac{1}{e^2} \int_{M_4 \times \mathbb{R}} d^5x \text{Tr} \left(|F_{t\nu} - D^\mu B_{\mu\nu}|^2 + |F_{\mu\nu}^+ + \frac{1}{4}[B_{\mu\rho}, B_\nu^\rho] + \frac{1}{2}D_t B_{\mu\nu}|^2 \right. \\
&\quad + 2D_\mu v D^\mu \bar{v} + 2D_t v D^t \bar{v} - \frac{1}{2}[B_{\mu\nu}, v][B^{\mu\nu}, \bar{v}] + 2[v, \bar{v}]^2 \\
&\quad + \tilde{\eta} D_\mu \psi^\mu + \eta D_\mu \tilde{\psi}^\mu + \tilde{\psi}_\mu D_\nu \chi^{\mu\nu} + \psi_\mu D_\nu \tilde{\chi}^{\mu\nu} - \tilde{\eta} D_t \eta - \tilde{\psi}_\mu D_t \psi^\mu \\
&\quad - \frac{1}{2}B_{\mu\nu} \{\tilde{\eta}, \chi^{\mu\nu}\} + \frac{1}{2}B_{\mu\nu} \{\eta, \tilde{\chi}^{\mu\nu}\} + B_{\mu\nu} \{\psi^\mu, \tilde{\psi}^\nu\} + B_{\mu\nu} \{\tilde{\chi}^{\mu\rho}, \chi_\rho^\nu\} \\
&\quad + i v \{\tilde{\eta}, \tilde{\eta}\} + i \bar{v} \{\eta, \eta\} - i v \{\tilde{\psi}_\mu, \tilde{\psi}^\mu\} - i \bar{v} \{\psi_\mu, \psi^\mu\} \\
&\quad \left. - \tilde{\chi}_{\mu\nu} D_t \chi^{\mu\nu} + i \bar{v} \{\chi_{\mu\nu}, \chi^{\mu\nu}\} + i v \{\tilde{\chi}_{\mu\nu}, \tilde{\chi}^{\mu\nu}\} \right).
\end{aligned} \tag{2.3}$$

⁴As we are only considering the case where v has no zero-modes, we can take it to be zero in the variations of the fermions.

2.2 Spin(7) Theory: A Topologically-twisted 8d $\mathcal{N} = 1$ Gauge Theory

The next topologically-twisted gauge theory that we will introduce, is a topologically-twisted 8d $\mathcal{N} = 1$ gauge theory on a Spin(7)-manifold⁵ with a “trivial” twist,⁶ whose BPS equation is the Spin(7) instanton equation. We shall henceforth refer to this theory as Spin(7) theory.

The bosonic field content of Spin(7) theory consists of scalars $\varphi, \lambda \in \Omega^0(\text{Spin}(7), \text{ad}(G))$ and a gauge connection $A_\mu \in \Omega^1(\text{Spin}(7), \text{ad}(G))$. The fermionic field content consists of a scalar $\eta \in \Omega^0(\text{Spin}(7), \text{ad}(G))$, a one-form $\psi \in \Omega^1(\text{Spin}(7), \text{ad}(G))$, and a self-dual two-form $\chi \in \Omega^{2+}(\text{Spin}(7), \text{ad}(G))$. Here, $\mu \in \{0, \dots, 7\}$ are the indices of the Spin(7) manifold.

As the supersymmetry generators transform in the same representation as the fermions above, the “trivial” twist will result in a single, *scalar* supersymmetry generator \tilde{Q} . Its supersymmetry transformations of the twisted fields work out to be [1]

$$\begin{aligned}\tilde{\delta}\varphi &= 0, & \tilde{\delta}\eta &= \frac{1}{2}[\varphi, \lambda], \\ \tilde{\delta}\lambda &= 2i\eta, & \tilde{\delta}\chi_{\mu\nu} &= F_{\mu\nu}^+, \\ \tilde{\delta}A_\mu &= i\psi_\mu, & \tilde{\delta}\psi_\mu &= -D_\mu\varphi,\end{aligned}\tag{2.4}$$

where $\tilde{\delta}$ denotes a \tilde{Q} -variation; $F_{\mu\nu}^+ = \frac{1}{2}(F_{\mu\nu} + \frac{1}{2}\phi_{\mu\nu\rho\pi}F^{\rho\pi})$ is the self-dual component of $F_{\mu\nu}$, with ϕ being the closed Hodge self-dual Spin(7) structure.; and $\chi_{\mu\nu} = \frac{1}{2}\phi_{\mu\nu\rho\pi}\chi^{\rho\pi}$. Our choice of ϕ will be that in [1], where its nonvanishing components, denoted as $[\mu\nu\rho\pi] \equiv \phi_{\mu\nu\rho\pi}$, are

$$\begin{aligned}[0145] &= [0167] = [2345] = [2367] = [0246] = [1357] = [0123] = [4567] = 1, \\ [0257] &= [1346] = [0347] = [0356] = [1247] = [1256] = -1.\end{aligned}\tag{2.5}$$

A straightforward calculation will show that the \tilde{Q} -variation is nilpotent up to gauge transformations generated by φ . As we wish to study the theory whereby the relevant moduli space is well-behaved (which corresponds to no reducible connections), we shall consider the case where φ has no zero-modes.

Setting to zero the \tilde{Q} -variations of the fermions in (2.4), we obtain the BPS equation (obeyed by the zero-modes) of Spin(7) theory as⁷

$$F_{\mu\nu}^+ = 0.\tag{2.6}$$

This is the Spin(7) instanton equation. Configurations of A_μ satisfying (2.6) constitute the Spin(7) instanton moduli space $\mathcal{M}_{\text{Spin}(7)}$ that the Spin(7) theory path integral will localize onto.

⁵See footnote 1.

⁶We refer the reader to [10, 11] for a detailed description of the twist.

⁷As we are only considering the case where φ has no zero-modes, we can take it to be zero in the variations of the fermions.

Finally, the topological action of Spin(7) theory is given as [1, 11]

$$S_{\text{Spin}(7)} = \frac{1}{e^2} \int_{\text{Spin}(7)} d^8x \text{Tr} \left(\frac{1}{2} |F_{\mu\nu}^+|^2 + \frac{1}{2} |D_\mu \varphi|^2 - \frac{1}{8} |[\varphi, \lambda]|^2 - i\eta D^\mu \psi_\mu + 2i D_\mu \psi_\nu \chi^{\mu\nu} - \frac{i}{2} \varphi \{ \eta, \eta \} - \frac{i}{4} \varphi \{ \chi_{\mu\nu}, \chi^{\mu\nu} \} - \frac{i}{2} \lambda \{ \psi_\mu, \psi^\mu \} \right). \quad (2.7)$$

3 A Fueter type A_∞ -2-category of Two-Manifolds

In this section, we will study HW theory on $M_5 = M_2 \times \mathbb{R}^3$, and recast it as a 3d gauged Landau-Ginzburg (LG) model on \mathbb{R}^3 , a 2d gauged LG model on \mathbb{R}^2 , or a 1d LG SQM. Following the approach in [2, §9], we will, via the 5d HW partition function and its equivalent 2d gauged LG model, be able to physically realize a novel Fukaya-Seidel (FS) type A_∞ -category of solitons whose endpoints correspond to G_C -BF configurations on M_2 that generate a 3d-HW Floer homology. Similarly, via the 5d HW partition function and its equivalent 3d gauged LG model, we will be able to also physically realize a novel Fueter type A_∞ -2-category that 2-categorifies the 3d-HW Floer homology of M_2 .

3.1 HW Theory on $M_2 \times \mathbb{R}^3$ as a 3d Model on \mathbb{R}^3 , 2d Model on \mathbb{R}^2 , or 1d SQM

Recall from §2.1 that our HW theory is defined on a five-manifold $M_5 = M_4 \times \mathbb{R}$. Let us take $M_4 = M_2 \times \mathbb{R}^2$, and relabel the (x^1, x^2) coordinates of this \mathbb{R}^2 as (τ, ξ) for later convenience. Doing so, both self-dual two-form fields B and χ can each be interpreted as a combination of a scalar and a one-form on M_2 . In particular, from the three linearly independent components of $B_{\mu\nu} \in \Omega^{2,+}(M_2 \times \mathbb{R}^2) \otimes \Omega^0(\mathbb{R})$, we get $B_\alpha \in \Omega^1(M_2) \otimes \Omega^0(\mathbb{R}^3)$ and $C \in \Omega^0(M_2 \times \mathbb{R}^3)$, where $\alpha = \{3, 4\}$ are the indices on M_2 . Similarly, from the three linearly-independent components of $\chi_{\mu\nu} \in \Omega^{2,+}(M_2 \times \mathbb{R}^2) \otimes \Omega^0(\mathbb{R})$, we get $\chi_\alpha \in \Omega^1(M_2) \otimes \Omega^0(\mathbb{R}^3)$ and $\varkappa \in \Omega^0(M_2 \times \mathbb{R}^3)$.

Then, (2.3) becomes

$$S_{\text{HW}, M_2 \times \mathbb{R}^3} = \frac{1}{e^2} \int_{M_2 \times \mathbb{R}^3} dt d\tau d\xi dx^2 \text{Tr}(L_A + L_B + L_C), \quad (3.1)$$

where

$$\begin{aligned} L_A = & |F_{t\tau} + D_\xi C + D^\alpha B_\alpha|^2 + |F_{t\xi} - D_\tau C + \epsilon_{\alpha\beta} D^\alpha B^\beta|^2 + \frac{1}{2} \left| F_{\tau\xi} + D_t C + \frac{1}{2} \epsilon_{\alpha\beta} (F^{\alpha\beta} - [B^\alpha, B^\beta]) \right|^2 \\ & + \left| D_t A_\alpha - \partial_\alpha A_t - D_\tau B_\alpha - \epsilon_{\alpha\beta} D_\xi B^\beta + \epsilon_{\alpha\beta} D^\beta C \right|^2 \\ & + \frac{1}{2} \left| D_\tau A_\alpha - \partial_\alpha A_\tau + D_t B_\alpha - \epsilon_{\alpha\beta} (D_\xi A^\beta - \partial^\beta A_\xi) + \epsilon_{\alpha\beta} [C, B^\beta] \right|^2 \\ & + 2|D_\tau v|^2 + 2|D_\xi v|^2 + 2|D_t v|^2, \end{aligned} \quad (3.2)$$

$$\begin{aligned}
L_B = & \tilde{\eta} \left(D_\tau \psi_\tau + D_\xi \psi_\xi + D_\alpha \psi^\alpha \right) + \eta \left(D_\tau \tilde{\psi}_\tau + D_\xi \tilde{\psi}_\xi + D_\alpha \tilde{\psi}^\alpha \right) \\
& + \left(\tilde{\psi}_\tau D_\xi - \tilde{\psi}_\xi D_\tau + \epsilon_{\alpha\beta} \tilde{\psi}^\alpha D^\beta \right) \varkappa + \left(\tilde{\psi}_\tau D_\alpha - \tilde{\psi}_\alpha D_\tau + \epsilon_{\alpha\beta} \tilde{\psi}_\xi D^\beta - \epsilon_{\alpha\beta} \tilde{\psi}^j D_\xi \right) \chi^i \\
& + \left(\psi_\tau D_\xi - \psi_\xi D_\tau + \epsilon_{\alpha\beta} \psi^\alpha D^\beta \right) \tilde{\varkappa} + \left(\psi_\tau D_\alpha - \psi_\alpha D_\tau + \epsilon_{\alpha\beta} \psi_\xi D^\beta - \epsilon_{\alpha\beta} \psi^j D_\xi \right) \tilde{\chi}^i \\
& - \tilde{\psi}_\tau D_t \psi_\tau - \tilde{\psi}_\xi D_t \psi_\xi - \tilde{\psi}_\alpha D_t \psi^\alpha - 2\tilde{\varkappa} D_t \varkappa - 2\tilde{\chi}_\alpha D_t \chi^\alpha,
\end{aligned} \tag{3.3}$$

and

$$\begin{aligned}
L_C = & -i\bar{v} \left(\{ \psi_\tau, \psi_\tau \} + \{ \psi_\xi, \psi_\xi \} + \{ \psi_\alpha, \psi^\alpha \} \right) - iv \left(\{ \tilde{\psi}_\tau, \tilde{\psi}_\tau \} + \{ \tilde{\psi}_\xi, \tilde{\psi}_\xi \} + \{ \tilde{\psi}_\alpha, \tilde{\psi}^\alpha \} \right) \\
& + 2i\bar{v} \left(\{ \varkappa, \varkappa \} + \{ \chi_\alpha, \chi^\alpha \} \right) + 2iv \left(\{ \tilde{\varkappa}, \tilde{\varkappa} \} + \{ \tilde{\chi}_\alpha, \tilde{\chi}^\alpha \} \right).
\end{aligned} \tag{3.4}$$

The conditions on (the zero-modes of) the bosons that minimize the action (3.1) are easily identified by setting to zero the expression within the squared terms in (3.2), i.e.,⁸

$$\begin{aligned}
F_{t\tau} + D_\xi C &= -D^\alpha B_\alpha, \\
F_{t\xi} - D_\tau C &= -\epsilon_{\alpha\beta} D^\alpha B^\beta, \\
F_{\tau\xi} + D_t C &= -\frac{1}{2} \epsilon_{\alpha\beta} (F^{\alpha\beta} - [B^\alpha, B^\beta]), \\
D_t A_\alpha - \partial_\alpha A_t - D_\tau B_\alpha - \epsilon_{\alpha\beta} D_\xi B^\beta &= -\epsilon_{\alpha\beta} D^\beta C, \\
D_\tau A_\alpha - \partial_\alpha A_\tau + D_t B_\alpha - \epsilon_{\alpha\beta} (D_\xi A^\beta - \partial^\beta A_\xi) &= -\epsilon_{\alpha\beta} [C, B^\beta].
\end{aligned} \tag{3.5}$$

HW Theory as a 3d Model

We now want to recast HW theory as a 3d model on \mathbb{R}^3 . To this end, first note that by (i) introducing $G_{\mathbb{C}}$ connections via $\mathcal{A} = A + iB \in \Omega^1(M_2, \text{ad}(G_{\mathbb{C}})) \otimes \Omega^0(\mathbb{R}^3, \text{ad}(G_{\mathbb{C}}))$ and $\bar{\mathcal{A}} = A - iB \in \Omega^1(M_2, \text{ad}(G_{\mathbb{C}}^*)) \otimes \Omega^0(\mathbb{R}^3, \text{ad}(G_{\mathbb{C}}^*))$, where $G_{\mathbb{C}}$ is the complexification of G and $G_{\mathbb{C}}^*$ is its complex conjugate, and (ii) using $w = x^3 - kx^4$ and $\bar{w} = x^3 + kx^4$ complex coordinates for M_2 , we can express (3.5) as⁹

$$\begin{aligned}
D_\xi C + F_{t\tau} &= -2i \hat{\mathcal{F}}_{w\bar{w}} g^{w\bar{w}}, \\
D_\tau C - iD_t C + i(F_{\xi\tau} - iF_{\xi t}) &= -j \mathcal{F}_{w\bar{w}}, \\
D_\xi \mathcal{A}_w - kD_\tau \mathcal{A}_w + jD_t \mathcal{A}_w - \partial_w (A_\xi - kA_\tau + jA_t) &= i \mathcal{D}_w C.
\end{aligned} \tag{3.6}$$

where $g^{w\bar{w}}$ is the corresponding inverse metric on M_2 ; $\hat{\mathcal{F}}_{w\bar{w}} = \partial_w \bar{\mathcal{A}}_{\bar{w}} - \partial_{\bar{w}} \mathcal{A}_w + [\mathcal{A}_w, \bar{\mathcal{A}}_{\bar{w}}]$ is a (1,1)-form field strength in \mathcal{A} and $\bar{\mathcal{A}}$; $\mathcal{F}_{w\bar{w}} = \partial_w \mathcal{A}_{\bar{w}} - \partial_{\bar{w}} \mathcal{A}_w + [\mathcal{A}_w, \mathcal{A}_{\bar{w}}]$ is a (1,1)-form field strength in \mathcal{A} ; $\mathcal{D}_w \equiv \partial_w + [\mathcal{A}_w, \cdot]$ is the covariant derivative in \mathcal{A} ; and (i, j, k) are unit imaginary numbers satisfying the quaternionic relations, i.e., $i^2 = j^2 = k^2 = -1$ and $ij = k$.¹⁰

Next, note that we are physically free to rotate the (τ, t) -subplane of \mathbb{R}^3 about the origin by an

⁸We can ignore the terms with v , because they have no zero-modes as explained in footnote 4.

⁹Trivially vanishing terms $g^{\alpha\beta} F_{\alpha\beta} = 0 = g^{\alpha\beta} [B_\alpha, B_\beta]$ are used to arrive at the RHS of the first equation.

¹⁰One can understand (i, j, k) to imply the existence of three complex structures (I, J, K) defining the three different ways of complexifying \mathbb{R}^3 into $\mathbb{R} \times \mathbb{C}$. In particular, I would be the complex structure of the (τ, t) -subplane, J would be the complex structure of the (t, ξ) -subplane, and K would be the complex structure of the (ξ, τ) -subplane. Also, them satisfying the quaternionic relations comes from the fact that the complexification of \mathbb{R}^3 should maintain its orientation.

angle θ , whence (3.6) becomes

$$\begin{aligned} D_\xi C + F_{t\tau} &= -2i\hat{\mathcal{F}}_{w\bar{w}}g^{w\bar{w}}, \\ D_\tau C - iD_t C + i(F_{\xi\tau} - iF_{\xi t}) &= -j_\theta\mathcal{F}_{w\bar{w}}, \\ D_\xi\mathcal{A}_w - k_\theta D_\tau\mathcal{A}_w + j_\theta D_t\mathcal{A}_w - \partial_w(A_\xi - k_\theta A_\tau + j_\theta A_t) &= i\mathcal{D}_w C, \end{aligned} \quad (3.7)$$

where $j_\theta = e^{i\theta/2}j e^{-i\theta/2} = j \cos \theta + k \sin \theta$, and $k_\theta = ij_\theta$. This allows us to write the action for HW theory on $M_2 \times \mathbb{R}^3$ as

$$\begin{aligned} S_{\text{HW}, M_2 \times \mathbb{R}^3} &= \frac{1}{e^2} \int_{\mathbb{R}^3} dt d\tau d\xi \int_{M_2} |dw|^2 \text{Tr} \left(|D_\xi C + F_{t\tau} + p|^2 + |D_\tau C - iD_t C + i(F_{\xi\tau} - iF_{\xi t}) + q|^2 \right. \\ &\quad \left. + |D_\xi\mathcal{A}_w - k_\theta D_\tau\mathcal{A}_w + j_\theta D_t\mathcal{A}_w + r_w|^2 + \dots \right), \end{aligned} \quad (3.8)$$

where the “...” contains the fermion terms in (3.1), and

$$\begin{aligned} p &= 2i\hat{\mathcal{F}}_{w\bar{w}}g^{w\bar{w}}, \\ q &= j_\theta\mathcal{F}_{w\bar{w}}, \\ r_w &= -\partial_w(A_\xi - k_\theta A_\tau + j_\theta A_t) - i\mathcal{D}_w C. \end{aligned} \quad (3.9)$$

Lastly, after suitable rescalings, we can recast (3.8) as a 3d model, where the action is¹¹

$$\begin{aligned} S_{3d, \mathfrak{A}_2} &= \frac{1}{e^2} \int_{\mathbb{R}^3} dt d\tau d\xi \left(|D_\xi C^a + F_{t\tau}|^2 + |D_\tau C^a - iD_t C^a + i(F_{\xi\tau} - iF_{\xi t}) + q^a|^2 \right. \\ &\quad \left. + |D_\xi\mathcal{A}^a - k_\theta D_\tau\mathcal{A}^a + j_\theta D_t\mathcal{A}^a + r^a|^2 + \dots \right), \\ &= \frac{1}{e^2} \int_{\mathbb{R}^2} d\tau d\xi \int_{\mathbb{R}} dt \left(|D_\xi C^a - D_\tau A_t + P|^2 + |D_\tau C^a + iF_{\xi\tau} + D_\xi A_t + Q^a + q^a|^2 \right. \\ &\quad \left. + |D_\xi\mathcal{A}^a - k_\theta D_\tau\mathcal{A}^a + R^a + r^a|^2 + \dots \right). \end{aligned} \quad (3.10)$$

Here, (\mathcal{A}^a, C^a) and a are coordinates and indices on the space \mathfrak{A}_2 of irreducible (\mathcal{A}_w, C) fields on M_2 ;

$$\begin{aligned} P &= \partial_t A_\tau, & Q^a &= -iD_t C^a - \partial_t A_\xi, & R^a &= j_\theta D_t \mathcal{A}^a, \\ q^a &= j_\theta \mathcal{F}^a, & r^a &= -i(\mathcal{D}C)^a, \end{aligned} \quad (3.11)$$

with (q^a, r^a) corresponding to (q, r_w) in (3.9); and $(\mathcal{F}^a, (\mathcal{D}C)^a)$ are scalars in \mathfrak{A}_2 corresponding to $(\mathcal{F}_{w\bar{w}}, \mathcal{D}_w C)$ in the underlying 5d theory.

In other words, HW theory on $M_2 \times \mathbb{R}^3$ can be regarded as 3d gauged sigma model along the (t, τ, ξ) -directions with target space \mathfrak{A}_2 and action (3.10).

HW Theory as a 2d Model

From (3.10), one can see that we can, after suitable rescalings, also recast the 3d model action

¹¹To arrive at the following expression, we have (i) employed Stokes' theorem and the fact that M_2 has no boundary to omit terms with $\partial_{\{w, \bar{w}\}} A_{\{t, \tau, \xi\}}$ as they will vanish when integrated over M_2 , and (ii) integrated out the scalar field $\mathfrak{h}_2(p) = 2i\hat{\mathcal{F}}_{a\bar{a}}g^{a\bar{a}}$ corresponding to the scalar p , whose contribution to the action is $|\mathfrak{h}_2(p)|^2$.

as the following 2d model action¹²

$$S_{2d, \mathcal{M}(\mathbb{R}_t, \mathfrak{A}_2)} = \frac{1}{e^2} \int_{\mathbb{R}^2} d\tau d\xi \left(\left| D_\xi C^m - D_\tau (\tilde{A}_t)^m \right|^2 + \left| D_\tau C^m + iF_{\xi\tau} + D_\xi (\tilde{A}_t)^m + Q^m + q^m \right|^2 \right. \\ \left. + \left| D_\xi \mathcal{A}^m - k_\theta D_\tau \mathcal{A}^m + R^m + r^m \right|^2 + \dots \right). \quad (3.12)$$

Here, $(\mathcal{A}^m, C^m, (\tilde{A}_t)^m)$ and m are coordinates and indices on the path space $\mathcal{M}(\mathbb{R}_t, \mathfrak{A}_2)$ of smooth paths from \mathbb{R}_t to \mathfrak{A}_2 , and

$$Q^m = -i(\tilde{D}_t C)^m, \quad R^m = j_\theta(\tilde{D}_t \mathcal{A})^m, \\ q^m = j_\theta \mathcal{F}^m, \quad r^m = -i(\mathcal{D}C)^m, \quad (3.13)$$

corresponding to (3.11), with $(\tilde{A}_t, \tilde{D}_t)$ in $\mathcal{M}(\mathbb{R}_t, \mathfrak{A}_2)$ corresponding to (A_t, D_t) in the underlying 3d model.

In other words, HW theory on $M_2 \times \mathbb{R}^3$ can also be regarded as a 2d gauged sigma model along the (τ, ξ) -directions with target space $\mathcal{M}(\mathbb{R}_t, \mathfrak{A}_2)$ and action (3.12).

HW Theory as a 1d SQM

Singling out ξ as the direction in “time”, the equivalent SQM action can be obtained from (3.12) after suitable rescalings as¹³

$$S_{\text{SQM}, \mathcal{M}(\mathbb{R}_\tau, \mathcal{M}(\mathbb{R}_t, \mathfrak{A}_2))} = \frac{1}{e^2} \int d\xi \left(\left| \partial_\xi C^u + g_{\mathcal{M}(\mathbb{R}_\tau, \mathcal{M}(\mathbb{R}_t, \mathfrak{A}_2))}^{uv} \frac{\partial h_2}{\partial C^v} \right|^2 + \left| \partial_\xi \check{A}^u + g_{\mathcal{M}(\mathbb{R}_\tau, \mathcal{M}(\mathbb{R}_t, \mathfrak{A}_2))}^{uv} \frac{\partial h_2}{\partial \check{A}^v} \right|^2 \right. \\ \left. + \left| \partial_\xi \mathcal{A}^u + g_{\mathcal{M}(\mathbb{R}_\tau, \mathcal{M}(\mathbb{R}_t, \mathfrak{A}_2))}^{uv} \frac{\partial h_2}{\partial \mathcal{A}^v} \right|^2 + \dots \right), \quad (3.14)$$

where $(\mathcal{A}^u, C^u, \check{A}^u)$ and (u, v) are coordinates on the path space $\mathcal{M}(\mathbb{R}_\tau, \mathcal{M}(\mathbb{R}_t, \mathfrak{A}_2))$ of smooth maps from \mathbb{R}_τ to $\mathcal{M}(\mathbb{R}_t, \mathfrak{A}_2)$ with $\check{A}^u := (\check{A}_t + i\check{A}_\tau)^u$ in $\mathcal{M}(\mathbb{R}_\tau, \mathcal{M}(\mathbb{R}_t, \mathfrak{A}_2))$ corresponding to $A_t + iA_\tau$ in the underlying 3d model; $g_{\mathcal{M}(\mathbb{R}_\tau, \mathcal{M}(\mathbb{R}_t, \mathfrak{A}_2))}^{uv}$ is the metric of $\mathcal{M}(\mathbb{R}_\tau, \mathcal{M}(\mathbb{R}_t, \mathfrak{A}_2))$; and $h_2(\mathcal{A}, C, \check{A})$ is the SQM potential function. Note also that we can interpret $\mathcal{M}(\mathbb{R}_\tau, \mathcal{M}(\mathbb{R}_t, \mathfrak{A}_2))$ as the double path space $\mathcal{M}(\mathbb{R}^2, \mathfrak{A}_2)$ of smooth maps from \mathbb{R}^2 to \mathfrak{A}_2 .

In short, HW theory on $M_2 \times \mathbb{R}^3$ can also be regarded as a 1d SQM along the ξ -direction in $\mathcal{M}(\mathbb{R}^2, \mathfrak{A}_2)$ whose action is (3.14).

¹²To arrive at the following expression, we have employed Stokes’ theorem and the fact that the finite-energy 3d gauge fields A_ξ, A_τ, A_t ought to vanish at $t \rightarrow \pm\infty$.

¹³In the resulting SQM, as A_ξ is a non-dynamical field, it will be integrated out to furnish the Christoffel connections for the fermions in the SQM [2]. We have again applied Stokes’ theorem and the fact that the fields corresponding to finite-energy gauge fields $A_{\{t, \tau\}}$ would vanish at $\tau \rightarrow \pm\infty$, to arrive at the following expression.

3.2 Non-constant Double Paths, Sheets, Solitons, and the 3d-HW Floer Homology of M_2

θ -deformed, Non-constant Double Paths in the SQM

Applying the squaring argument [7] to (3.14), we find that the path integral of the equivalent SQM will localize onto configurations that set the LHS and RHS of the expression within the squared terms therein *simultaneously* to zero, i.e., the path integral SQM localizes onto ξ -invariant critical points of $h_2(\mathcal{A}, C, \check{A})$ that obey

$$\begin{aligned} 0 &= -([\check{A}_\tau, \check{A}_t])^u, \\ (\check{\partial}_\tau C - i\check{\partial}_t C)^u &= -([\check{A}_\tau - i\check{A}_t, C])^u - j_\theta \mathcal{F}^u, \\ (k_\theta \check{\partial}_\tau \mathcal{A} - j_\theta \check{\partial}_t \mathcal{A})^u &= -([k_\theta \check{A}_\tau - j_\theta \check{A}_t, \mathcal{A}])^u - i(\mathcal{D}C)^u. \end{aligned} \quad (3.15)$$

These are ξ -invariant, θ -deformed, non-constant double paths in $\mathcal{M}(\mathbb{R}_\tau, \mathcal{M}(\mathbb{R}_t, \mathfrak{A}_2))$.

$\mathcal{M}^\theta(\mathbb{R}_t, \mathfrak{A}_2)$ -solitons in the 2d Gauged Model

By comparing (3.14) with (3.12), we find that such ξ -invariant, θ -deformed, non-constant double paths in the SQM defined by (3.15), will correspond, in the 2d gauged sigma model with target space $\mathcal{M}(\mathbb{R}_t, \mathfrak{A}_2)$, to configurations defined by

$$\begin{aligned} \partial_\tau(\tilde{A}_t)^m &= -[A_\tau, (\tilde{A}_t)^m] + [A_\xi, C^m], \\ \partial_\tau C^m - i\partial_\tau A_\xi &= -[A_\tau, C^m - iA_\xi] - [A_\xi, (\tilde{A}_t)^m] - Q^m - q^m, \\ k_\theta \partial_\tau \mathcal{A}^m &= -[k_\theta A_\tau, \mathcal{A}^m] + [A_\xi, \mathcal{A}^m] + R^m + r^m. \end{aligned} \quad (3.16)$$

Via (3.13), we can write (3.16) as

$$\begin{aligned} \partial_\tau(\tilde{A}_t)^m &= -[A_\tau, (\tilde{A}_t)^m] + [A_\xi, C^m], \\ \partial_\tau C^m - i\partial_\tau A_\xi &= -[A_\tau, C^m - iA_\xi] + i(\tilde{D}_t C)^m + [\tilde{A}_t^m, A_\xi] - j_\theta \mathcal{F}^m, \\ k_\theta \partial_\tau \mathcal{A}^m &= [A_\xi - k_\theta A_\tau, \mathcal{A}^m] + j_\theta(\tilde{D}_t \mathcal{A})^m - i(\mathcal{D}C)^m. \end{aligned} \quad (3.17)$$

These are ξ -invariant, θ -deformed solitons along the τ -direction in the 2d gauged sigma model with target space $\mathcal{M}(\mathbb{R}_t, \mathfrak{A}_2)$. We shall henceforth refer to such solitons as $\mathcal{M}^\theta(\mathbb{R}_t, \mathfrak{A}_2)$ -solitons.

\mathfrak{A}_2^θ -sheets in the 3d Gauged Model

By further comparing (3.12) with (3.10), we find that such $\mathcal{M}^\theta(\mathbb{R}_t, \mathfrak{A}_2)$ -solitons in the 2d gauged sigma model defined by (3.17), will correspond, in the 3d gauged sigma model with target space \mathfrak{A}_2 , to configurations defined by

$$\begin{aligned} \partial_\tau A_t - \partial_t A_\tau &= -[A_\tau, A_t] + [A_\xi, C^a], \\ \partial_\tau C^a - i\partial_t C^a - i\partial_\tau A_\xi - \partial_t A_\xi &= -[A_\tau - iA_t, C^a - iA_\xi] - q^a, \\ k_\theta \partial_\tau \mathcal{A}^a - j_\theta \partial_t \mathcal{A}^a &= [A_\xi - k_\theta A_\tau + j_\theta A_t, \mathcal{A}^a] + r^a. \end{aligned} \quad (3.18)$$

Via (3.11), we can write (3.18) as

$$\begin{aligned} \partial_\tau A_t - \partial_t A_\tau &= -[A_\tau, A_t] + [A_\xi, C^a], \\ \partial_\tau C^a - i\partial_t C^a - i\partial_\tau A_\xi - \partial_t A_\xi &= -[A_\tau - iA_t, C^a - iA_\xi] - j_\theta \mathcal{F}^a, \\ k_\theta \partial_\tau \mathcal{A}^a - j_\theta \partial_t \mathcal{A}^a &= [A_\xi - k_\theta A_\tau + j_\theta A_t, \mathcal{A}^a] - i(\mathcal{D}C)^a. \end{aligned} \quad (3.19)$$

These are ξ -invariant, θ -deformed sheets along the (τ, t) -directions in the 3d gauged sigma model with target space \mathfrak{A}_2 , which also satisfy the condition

$$2i\hat{\mathcal{F}}_{a\bar{a}}g^{a\bar{a}} = 0, \quad (3.20)$$

where $2i\hat{\mathcal{F}}_{a\bar{a}}g^{a\bar{a}} = \mathfrak{h}_2(p)$ is the auxiliary scalar field defined in footnote 11.

We shall henceforth refer to such ξ -invariant, θ -deformed sheets in the 3d gauged sigma model with target \mathfrak{A}_2 , defined by (3.19) and (3.20), as \mathfrak{A}_2^θ -sheets.

ξ -independent, θ -deformed HW Configurations in HW Theory

In turn, by comparing (3.10) with (3.8), we find that the 3d configurations defined by (3.19), will correspond, in HW theory, to 5d configurations defined by

$$\begin{aligned} \partial_\tau A_t - \partial_t A_\tau &= -[A_\tau, A_t] + [A_\xi, C], \\ \partial_\tau C - i\partial_t C - i\partial_\tau A_\xi - \partial_t A_\xi &= -[A_\tau - iA_t, C - iA_\xi] - q, \\ k_\theta \partial_\tau \mathcal{A}_w - j_\theta \partial_t \mathcal{A}_w &= [A_\xi - k_\theta A_\tau + j_\theta A_t, \mathcal{A}_w] + r_w. \end{aligned} \quad (3.21)$$

Via (3.9), we can write (3.21) as

$$\begin{aligned} \partial_\tau A_t - \partial_t A_\tau &= -[A_\tau, A_t] + [A_\xi, C], \\ \partial_\tau C - i\partial_t C - i\partial_\tau A_\xi - \partial_t A_\xi &= -[A_\tau - iA_t, C - iA_\xi] - j_\theta \mathcal{F}_{w\bar{w}}, \\ k_\theta \partial_\tau \mathcal{A}_w - j_\theta \partial_t \mathcal{A}_w &= -D_w(A_\xi - k_\theta A_\tau + j_\theta A_t) - i\mathcal{D}_w C. \end{aligned} \quad (3.22)$$

These are ξ -independent, θ -deformed HW configurations on $M_2 \times \mathbb{R}^3$ which also satisfy the condition

$$2i\hat{\mathcal{F}}_{w\bar{w}}g^{w\bar{w}} = 0. \quad (3.23)$$

HW Configurations, \mathfrak{A}_2^θ -sheets, $\mathcal{M}^\theta(\mathbb{R}_t, \mathfrak{A}_2)$ -solitons, and Non-constant Double Paths

In short, these ξ -independent, θ -deformed HW configurations on $M_2 \times \mathbb{R}^3$ that are defined by (3.22) and (3.23), will correspond to the \mathfrak{A}_2^θ -sheets defined by (3.19) and (3.20), which, in turn, will correspond to the $\mathcal{M}^\theta(\mathbb{R}_t, \mathfrak{A}_2)$ -solitons defined by (3.17), which, in turn, will correspond to the ξ -invariant, θ -deformed, non-constant double paths in $\mathcal{M}(\mathbb{R}^2, \mathfrak{A}_2)$ defined by (3.15).

$\mathcal{M}^\theta(\mathbb{R}_t, \mathfrak{A}_2)$ -soliton Endpoints Corresponding to Non-constant Paths

Consider now the fixed endpoints of the $\mathcal{M}^\theta(\mathbb{R}_t, \mathfrak{A}_2)$ -solitons at $\tau = \pm\infty$, where we also expect the fields in the 2d gauged sigma model corresponding to the finite-energy 3d gauge fields A_ξ, A_τ, A_t

to decay to zero. They are given by (3.17) with $\partial_\tau C^m = 0 = \partial_\tau \mathcal{A}^m$ and $A_\xi, A_\tau, (\tilde{A}_t)^m \rightarrow 0$, i.e.,

$$\begin{aligned} i(\tilde{\partial}_t C)^m &= j_\theta \mathcal{F}^m, \\ j_\theta(\tilde{\partial}_t \mathcal{A})^m &= i(\mathcal{D}C)^m. \end{aligned} \quad (3.24)$$

These are (ξ, τ) -invariant, θ -deformed, non-constant paths in $\mathcal{M}(\mathbb{R}_t, \mathfrak{A}_2)$.

\mathfrak{A}_2^θ -sheet Edges Corresponding to \mathfrak{A}_2^θ -solitons in the 3d Gauged Model

In turn, (3.24) will correspond, in the 3d gauged sigma model, to the fixed edges of the \mathfrak{A}_2^θ -sheets at $\tau = \pm\infty$, i.e., (ξ, τ) -invariant, θ -deformed configurations that obey

$$\begin{aligned} i\partial_t C^a &= j_\theta \mathcal{F}^a, \\ j_\theta \partial_t \mathcal{A}^a &= i(\mathcal{D}C)^a. \end{aligned} \quad (3.25)$$

These are (ξ, τ) -invariant, θ -deformed solitons along the t -direction in the 3d gauged sigma model, which also satisfy the condition (3.20). Notice that (3.25) can also be obtained from (3.19) with $\partial_\tau C^a = 0 = \partial_\tau \mathcal{A}^a$ and $A_\xi, A_\tau, A_t \rightarrow 0$.

We shall henceforth refer to such (ξ, τ) -invariant, θ -deformed solitons in the 3d gauged sigma model with target space \mathfrak{A}_2 , defined by (3.25) and (3.20), as \mathfrak{A}_2^θ -solitons.

\mathfrak{A}_2^θ -soliton Endpoints or \mathfrak{A}_2^θ -sheet Vertices Corresponding to θ -deformed $G_{\mathbb{C}}$ -BF Configurations on M_2

Consider now (i) the fixed endpoints of the \mathfrak{A}_2^θ -solitons at $t = \pm\infty$, or equivalently (ii) the vertices of the \mathfrak{A}_2^θ -sheets at $\tau, t = \pm\infty$. They are given by (i) (3.25) and (3.20) with $\partial_t C^a = 0 = \partial_t \mathcal{A}^a$, or equivalently (ii) (3.19) and (3.20) with $\partial_{\{t, \tau\}} C^a = 0 = \partial_{\{t, \tau\}} \mathcal{A}^a$ and $A_\xi, A_\tau, A_t \rightarrow 0$, i.e.,

$$j_\theta \mathcal{F}^a = 0, \quad i(\mathcal{D}C)^a = 0, \quad i\hat{\mathcal{F}}_{a\bar{a}} g^{a\bar{a}} = 0. \quad (3.26)$$

In turn, they will correspond, in HW theory, to (t, τ, ξ) -independent, θ -deformed configurations that obey

$$j_\theta \mathcal{F}_{w\bar{w}} = 0, \quad i\mathcal{D}_w C = 0, \quad i\hat{\mathcal{F}}_{w\bar{w}} g^{w\bar{w}} = 0. \quad (3.27)$$

Notice that (3.27) can also be obtained from (3.22) and (3.23) with $\partial_{\{t, \tau\}} C = 0 = \partial_{\{t, \tau\}} \mathcal{A}_w$ and $A_t, A_\tau, A_\xi \rightarrow 0$.

At $\theta = 0$ or π , (3.27) can be written as

$$\mathcal{F}_{w\bar{w}} = 0, \quad \mathcal{D}_w C = 0, \quad \hat{\mathcal{F}}_{w\bar{w}} g^{w\bar{w}} = 0. \quad (3.28)$$

This is a *reduced* version of the $G_{\mathbb{C}}$ -BF equations on M_2 – whilst the regular $G_{\mathbb{C}}$ -BF equations consist of connections and scalars valued in $\text{ad}(G_{\mathbb{C}})$ and $\text{ad}(G_{\mathbb{C}}^*)$, the scalar that we have in (3.28) is valued only in $\text{ad}(G)$. Nonetheless, configurations spanning the space of solutions to these equations shall, in the rest of this section, be referred to as $G_{\mathbb{C}}$ -BF configurations on M_2 . One thing to note at this point is that $G_{\mathbb{C}}$ -BF configurations on M_2 are known to generate the 3d-HW Floer homology of M_2 [2, §5].

In other words, the (t, τ, ξ) -independent, θ -deformed HW configurations corresponding to the

endpoints of the \mathfrak{A}_2^θ -solitons (or equivalently, to the vertices of the \mathfrak{A}_2^θ -sheets) are θ -deformed $G_{\mathbb{C}}$ -BF configurations on M_2 . We will also assume choices of M_2 and G whereby such configurations are isolated and non-degenerate.¹⁴

Non-constant Double Paths, $\mathcal{M}^\theta(\mathbb{R}_t, \mathfrak{A}_2)$ -solitons, \mathfrak{A}_2^θ -solitons, and \mathfrak{A}_2^θ -sheets

In short, from the equivalent 1d SQM of HW theory on $M_2 \times \mathbb{R}^3$, the theory localizes onto ξ -invariant, θ -deformed, non-constant double paths in $\mathcal{M}(\mathbb{R}^2, \mathfrak{A}_2)$, which, in turn, will correspond to $\mathcal{M}^\theta(\mathbb{R}_t, \mathfrak{A}_2)$ -solitons in the 2d gauged sigma model whose endpoints are (ξ, τ) -invariant, θ -deformed, non-constant paths in $\mathcal{M}(\mathbb{R}_t, \mathfrak{A}_2)$. In the 3d gauged sigma model, these $\mathcal{M}^\theta(\mathbb{R}_t, \mathfrak{A}_2)$ -solitons will correspond to \mathfrak{A}_2^θ -sheets, whose edges are \mathfrak{A}_2^θ -solitons, and whose vertices will correspond to θ -deformed $G_{\mathbb{C}}$ -BF configurations on M_2 that generate the 3d-HW Floer homology of M_2 .

3.3 The 2d Model and Open Strings, the 3d Model and Open Membranes

Flow Lines of the SQM as BPS Worldsheets of the 2d Model

The classical trajectories or flow lines of the equivalent SQM are governed by the gradient flow equations (defined by setting to zero the expression within the squared terms in (3.14)), i.e.,

$$\begin{aligned} \frac{dC^u}{d\xi} &= -g_{\mathcal{M}(\mathbb{R}_\tau, \mathcal{M}(\mathbb{R}_t, \mathfrak{A}_2))}^{uv} \frac{\partial h_2}{\partial C^v}, & \frac{d\check{A}^u}{d\xi} &= -g_{\mathcal{M}(\mathbb{R}_\tau, \mathcal{M}(\mathbb{R}_t, \mathfrak{A}_2))}^{uv} \frac{\partial h_2}{\partial \check{A}^v}, \\ \frac{d\mathcal{A}^u}{d\xi} &= -g_{\mathcal{M}(\mathbb{R}_\tau, \mathcal{M}(\mathbb{R}_t, \mathfrak{A}_2))}^{uv} \frac{\partial h_2}{\partial \mathcal{A}^v}, \end{aligned} \quad (3.29)$$

and they go from one ξ -invariant critical point of $h_2(\mathcal{A}, C, \check{A})$ to another in $\mathcal{M}(\mathbb{R}_\tau, \mathcal{M}(\mathbb{R}_t, \mathfrak{A}_2))$. In the 2d gauged sigma model with target space $\mathcal{M}(\mathbb{R}_t, \mathfrak{A}_2)$, these flow lines will correspond to worldsheets that have, at $\xi = \pm\infty$, $\mathcal{M}^\theta(\mathbb{R}_t, \mathfrak{A}_2)$ -solitons.¹⁵ These solitons shall be denoted as $\sigma_\pm(\tau, \theta, \mathfrak{A}_2)$, and are defined by (3.17) with $A_\xi, A_\tau, (\check{A}_t)^m \rightarrow 0$, i.e.,

$$\begin{aligned} \frac{dC^m}{d\tau} &= i(\tilde{\partial}_t C)^m - j_\theta \mathcal{F}^m, \\ k_\theta \frac{d\mathcal{A}^m}{d\tau} &= j_\theta (\tilde{\partial}_t \mathcal{A})^m - i(\mathcal{D}C)^m. \end{aligned} \quad (3.30)$$

¹⁴In [2, footnote 8], we (i) considered choices of M_2 and G such that $\dim(G)(1 + b_2^+) = 4kh$, where b_2^+ is the second Betti number of $M_2 \times T^2$, k is the instanton number on $M_2 \times T^2$, and h is the dual Coexter number of G , and (ii) added physically-inconsequential \mathcal{Q} -exact perturbations of the action, to ensure that $G_{\mathbb{C}}$ -BF configurations on M_2 are isolated and non-degenerate at $\theta = 0$. Therefore, at $\theta = 0$, the endpoints of the \mathfrak{A}_2^θ -solitons will be isolated and non-degenerate. As the physical theory is symmetric under a variation of θ , this observation of the endpoints of the \mathfrak{A}_2^θ -solitons (or equivalently, the vertices of the \mathfrak{A}_2^θ -sheets) will continue to hold true for any value of θ . Hence, this presumption that the moduli space of θ -deformed $G_{\mathbb{C}}$ -BF configurations on M_2 will be made of isolated and non-degenerate points, is justified. We would like to thank R.P. Thomas for discussions on this point.

¹⁵The $\mathcal{M}^\theta(\mathbb{R}_t, \mathfrak{A}_2)$ -soliton can translate in the ξ -direction due to its ‘‘center of mass’’ motion, and because it is ξ -invariant, it is effectively degenerate. This reflects the fact that generically, each critical point of h_2 is degenerate and does not correspond to a point, but to a real line \mathbb{R}_τ in $\mathcal{M}(\mathbb{R}_\tau, \mathcal{M}(\mathbb{R}_t, \mathfrak{A}_2))$. Nonetheless, one can perturb h_2 via the addition of physically-inconsequential \mathcal{Q} -exact terms to the SQM action, and collapse the degeneracy such that the critical points really correspond to points in $\mathcal{M}(\mathbb{R}_\tau, \mathcal{M}(\mathbb{R}_t, \mathfrak{A}_2))$. This is equivalent to factoring out the center of mass degree of freedom of the $\mathcal{M}^\theta(\mathbb{R}_t, \mathfrak{A}_2)$ -soliton, and fixing it at $\xi = \pm\infty$.

Their endpoints $\sigma(\pm\infty, \theta, \mathfrak{A}_2)$ at $\tau = \pm\infty$ are defined by

$$i(\tilde{\partial}_t C)^m = j_\theta \mathcal{F}^m, \quad j_\theta(\tilde{\partial}_t \mathcal{A})^m = i(\mathcal{D}C)^m, \quad (3.31)$$

which is simply (3.30) with $d_\tau C^m = 0 = d_\tau \mathcal{A}^m$.

Note that the flow lines are governed by the gradient flow equations, which are actually the BPS equations of the 1d SQM. This means that the worldsheets that they will correspond to are governed by the BPS equations of the equivalent 2d gauged sigma model with target space $\mathcal{M}(\mathbb{R}_t, \mathfrak{A}_2)$ (defined by setting to zero the expression within the squared terms in (3.12)), i.e.,

$$\begin{aligned} D_\xi C^m - D_\tau(\tilde{A}_t)^m &= 0, \\ D_\tau C^m + iF_{\xi\tau} + D_\xi(\tilde{A}_t)^m - i(\tilde{D}_t C)^m + j_\theta \mathcal{F}^m &= 0, \\ D_\xi \mathcal{A}^m - k_\theta D_\tau \mathcal{A}^m + j_\theta(\tilde{D}_t \mathcal{A})^m - i(\mathcal{D}C)^m &= 0, \end{aligned} \quad (3.32)$$

or more explicitly,

$$\begin{aligned} \frac{DC^m}{D\xi} - \frac{D(\tilde{A}_t)^m}{D\tau} &= 0, \\ \frac{D(\tilde{A}_t)^m}{D\xi} + \frac{DC^m}{D\tau} + i\frac{dA_\tau}{d\xi} - i\frac{dA_\xi}{d\tau} &= -i[A_\xi, A_\tau] + i(\tilde{D}_t C)^m - j_\theta \mathcal{F}^m, \\ \frac{D\mathcal{A}^m}{D\xi} - k_\theta \frac{D\mathcal{A}^m}{D\tau} &= -j_\theta(\tilde{D}_t \mathcal{A})^m + i(\mathcal{D}C)^m. \end{aligned} \quad (3.33)$$

In [1, 2], such worldsheets corresponding to the classical trajectories of 2d gauged sigma models were coined as BPS worldsheets. We shall do the same here.

Therefore, the BPS worldsheets of the 2d gauged sigma model with target $\mathcal{M}(\mathbb{R}_t, \mathfrak{A}_2)$ will be defined by (3.33).

Flow Lines of the SQM as BPS Worldvolumes of the 3d Model

In the 3d gauged sigma model with target space \mathfrak{A}_2 , the SQM flow lines in (3.29) will correspond to worldvolumes that have, at $\xi = \pm\infty$, \mathfrak{A}_2^θ -sheets.¹⁶ These sheets shall be denoted as $\Sigma_\pm(\tau, t, \theta, \mathfrak{A}_2)$, and are defined by (3.19) with finite-energy 3d gauge fields $A_t, A_\tau, A_\xi \rightarrow 0$, i.e.,

$$\begin{aligned} \frac{dC^a}{d\tau} - i\frac{dC^a}{dt} &= -j_\theta \mathcal{F}^a, \\ k_\theta \frac{d\mathcal{A}^a}{d\tau} - j_\theta \frac{d\mathcal{A}^a}{dt} &= -i(\mathcal{D}C)^a. \end{aligned} \quad (3.34)$$

Their vertices $\Sigma(\pm\infty, \pm\infty, \theta, \mathfrak{A}_2)$ and $\Sigma(\pm\infty, \mp\infty, \theta, \mathfrak{A}_2)$ at $(\tau, t) = (\pm\infty, \pm\infty)$ or $(\pm\infty, \mp\infty)$ are defined by

$$j_\theta \mathcal{F}^a = 0, \quad i(\mathcal{D}C)^a = 0, \quad (3.35)$$

which is simply (3.34) with $d_{\{t,\tau\}} C^a = 0 = d_{\{t,\tau\}} \mathcal{A}^a$.

These worldvolumes, that the SQM flow lines correspond to, are governed by the BPS equations

¹⁶Just like the $\mathcal{M}^\theta(\mathbb{R}_t, \mathfrak{A}_2)$ -solitons, the \mathfrak{A}_2^θ -sheets can translate in the ξ -direction due to its ‘‘center of mass motion’’. They can, however, also be fixed at $\xi = \pm\infty$ by adding physically-inconsequential \mathcal{Q} -exact terms to the SQM action (as explained in footnote 15).

of the equivalent 3d gauged sigma model with target space \mathfrak{A}_2 (defined by setting to zero the expression within the squared terms in (3.10)), i.e.,

$$\begin{aligned} D_\xi C^a + F_{t\tau} &= 0, \\ D_\tau C^a - iD_t C^a + i(F_{\xi\tau} - iF_{\xi t}) + j_\theta \mathcal{F}^a &= 0, \\ D_\xi \mathcal{A}^a - k_\theta D_\tau \mathcal{A}^a + j_\theta D_t \mathcal{A}^a - i(\mathcal{D}C)^a &= 0, \end{aligned} \quad (3.36)$$

or more explicitly,

$$\begin{aligned} \frac{DC^a}{D\xi} + \frac{dA_\tau}{dt} - \frac{dA_t}{d\tau} &= -[A_t, A_\tau], \\ \frac{DC^a}{D\tau} - i\frac{DC^a}{Dt} + i\frac{dA_\tau}{d\xi} - i\frac{dA_\xi}{d\tau} + \frac{dA_t}{d\xi} - \frac{dA_\xi}{dt} &= -i[A_\xi, A_\tau] - [A_\xi, A_t] - j_\theta \mathcal{F}^a, \\ \frac{D\mathcal{A}^a}{D\xi} - k_\theta \frac{D\mathcal{A}^a}{D\tau} + j_\theta \frac{D\mathcal{A}^a}{Dt} &= i(\mathcal{D}C)^a. \end{aligned} \quad (3.37)$$

Just as how the worldsheets that correspond to the classical trajectories of our 2d gauged sigma model are called BPS *worldsheets*, the worldvolumes that correspond to the classical trajectories of our 3d gauged sigma model shall be called BPS *worldvolumes*.

Therefore, the BPS worldvolumes of the 3d gauged sigma model with target \mathfrak{A}_2 will be defined by (3.37).

BPS Worldsheets with Boundaries Labeled by Non-constant Paths in $\mathcal{M}(R_t, \mathfrak{A}_2)$

In the 2d gauged sigma model, the boundaries of the BPS worldsheets are traced out by the endpoints of the $\mathcal{M}^\theta(\mathbb{R}_t, \mathfrak{A}_2)$ -solitons as they propagate in ξ . As we have seen at the end of §3.2, these endpoints will correspond to (ξ, τ) -invariant, θ -deformed, non-constant paths in $\mathcal{M}(\mathbb{R}_t, \mathfrak{A}_2)$ that we shall, at $\xi = \pm\infty$, denote as $\gamma_\pm(\theta, \mathfrak{A}_2)$. In the equivalent 3d gauged sigma model with target space \mathfrak{A}_2 , $\gamma_\pm(\theta, \mathfrak{A}_2)$ will correspond to \mathfrak{A}_2^θ -solitons that we shall denote as $\Gamma_\pm(t, \theta, \mathfrak{A}_2)$, whose endpoints, in turn, will correspond to θ -deformed $G_{\mathbb{C}}$ -BF configurations on M_2 .

At $\theta = 0$, if there are ‘ l ’ such undeformed configurations $\{\mathcal{E}_{\text{BF}}^1(0), \mathcal{E}_{\text{BF}}^2(0), \dots, \mathcal{E}_{\text{BF}}^l(0)\}$, we can further specify $\Gamma_\pm(t, 0, \mathfrak{A}_2)$ as $\Gamma_\pm^{IJ}(t, 0, \mathfrak{A}_2)$, where $I, J \in \{1, 2, \dots, l\}$ indicates that its endpoints, given by $\Gamma^{IJ}(-\infty, 0, \mathfrak{A}_2)$ and $\Gamma^{IJ}(+\infty, 0, \mathfrak{A}_2)$, would correspond to the configurations $\mathcal{E}_{\text{BF}}^I(0)$ and $\mathcal{E}_{\text{BF}}^J(0)$, respectively. As the physical theory is symmetric under a variation of θ , we would continue to have ‘ l ’ such configurations at any value of θ . In other words, we can also further specify any \mathfrak{A}_2^θ -soliton at $\xi = \pm\infty$ as $\Gamma_\pm^{IJ}(t, \theta, \mathfrak{A}_2)$, where its endpoints, given by $\Gamma^I(-\infty, \theta, \mathfrak{A}_2)$ and $\Gamma^J(+\infty, \theta, \mathfrak{A}_2)$, would correspond to $\mathcal{E}_{\text{BF}}^I(\theta)$ and $\mathcal{E}_{\text{BF}}^J(\theta)$, respectively, with the $\mathcal{E}_{\text{BF}}^i(\theta)$ ’s being l number of θ -deformed $G_{\mathbb{C}}$ -BF configurations on M_2 . Consequently, in the 2d gauged sigma model, we can also further specify $\gamma_\pm(\theta, \mathfrak{A}_2)$ as $\gamma_\pm^{IJ}(\theta, \mathfrak{A}_2)$, where the latter will correspond to a $\Gamma_\pm^{IJ}(t, \theta, \mathfrak{A}_2)$ \mathfrak{A}_2^θ -soliton in the equivalent 3d gauged sigma model.

Since the endpoints of an $\mathcal{M}^\theta(\mathbb{R}_t, \mathfrak{A}_2)$ -soliton are now denoted as $\gamma_\pm^{**}(\theta, \mathfrak{A}_2)$, we can also denote any $\mathcal{M}^\theta(\mathbb{R}_t, \mathfrak{A}_2)$ -soliton at $\xi = \pm\infty$ as $\sigma_\pm^{IJ, KL}(\tau, \theta, \mathfrak{A}_2)$, where its left and right endpoints, given by $\sigma^{IJ}(-\infty, \theta, \mathfrak{A}_2)$ and $\sigma^{KL}(+\infty, \theta, \mathfrak{A}_2)$, would be $\gamma^{IJ}(\theta, \mathfrak{A}_2)$ and $\gamma^{KL}(\theta, \mathfrak{A}_2)$, respectively.

As the $\gamma^{**}(\theta, \mathfrak{A}_2)$ ’s are ξ -invariant and therefore, have the same values for all ξ , we have BPS

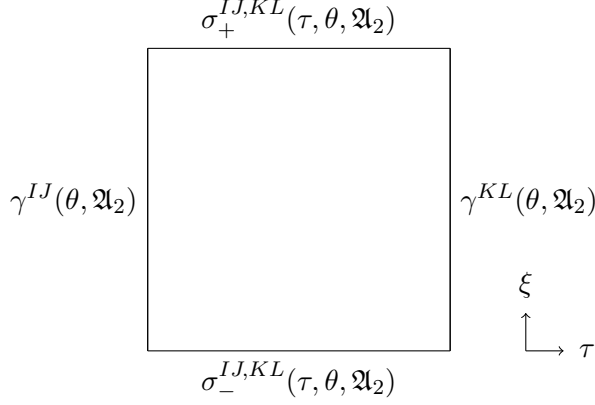


Figure 1: BPS worldsheet with $\mathcal{M}^\theta(\mathbb{R}_t, \mathfrak{A}_2)$ -solitons $\sigma_{\pm}^{IJ,KL}(\tau, \theta, \mathfrak{A}_2)$ and boundaries labeled by $\gamma^{IJ}(\theta, \mathfrak{A}_2)$ and $\gamma^{KL}(\theta, \mathfrak{A}_2)$.

worldsheets of the kind shown in Fig. 1.

The 2d Model on \mathbb{R}^2 and an Open String Theory in $\mathcal{M}(\mathbb{R}_t, \mathfrak{A}_2)$

Hence, one can understand the 2d gauged sigma model on \mathbb{R}^2 with target space $\mathcal{M}(\mathbb{R}_t, \mathfrak{A}_2)$ to define an open string theory in $\mathcal{M}(\mathbb{R}_t, \mathfrak{A}_2)$, with *effective* worldsheet and boundaries shown in Fig. 1, where ξ and τ are the temporal and spatial directions, respectively.

BPS Worldvolumes with Boundaries Labeled by \mathfrak{A}_2^θ -solitons, and Edges Labeled by $G_{\mathbb{C}}$ -BF Configurations on M_2

The boundaries and edges of the BPS worldvolumes are traced out by the edges and vertices of the \mathfrak{A}_2^θ -sheets, respectively, as they propagate in ξ . As we have seen at the end of §3.2, these edges and vertices would correspond to \mathfrak{A}_2^θ -solitons and θ -deformed $G_{\mathbb{C}}$ -BF configurations on M_2 , respectively. This means that we can further specify any \mathfrak{A}_2^θ -sheet at $\xi = \pm\infty$ as $\Sigma_{\pm}^{IJ,KL}(\tau, t, \theta, \mathfrak{A}_2)$, where (i) its left and right edges, given by $\Sigma^{IJ}(-\infty, t, \theta, \mathfrak{A}_2)$ and $\Sigma^{KL}(+\infty, t, \theta, \mathfrak{A}_2)$, would correspond to the \mathfrak{A}_2^θ -solitons $\Gamma^{IJ}(t, \theta, \mathfrak{A}_2)$ and $\Gamma^{KL}(t, \theta, \mathfrak{A}_2)$, respectively, and (ii) its four vertices, given by $\Sigma^I(-\infty, -\infty, \theta, \mathfrak{A}_2)$, $\Sigma^J(-\infty, +\infty, \theta, \mathfrak{A}_2)$, $\Sigma^K(+\infty, -\infty, \theta, \mathfrak{A}_2)$, and $\Sigma^L(+\infty, +\infty, \theta, \mathfrak{A}_2)$, would correspond to $\mathcal{E}_{\text{BF}}^I(\theta)$, $\mathcal{E}_{\text{BF}}^J(\theta)$, $\mathcal{E}_{\text{BF}}^K(\theta)$, and $\mathcal{E}_{\text{BF}}^L(\theta)$, respectively, as shown in Fig. 2.

Since the $\mathcal{E}_{\text{BF}}^*(\theta)$'s and $\Gamma^{**}(t, \theta, \mathfrak{A}_2)$'s are ξ -invariant and therefore, have the same value for all ξ , we have BPS worldvolumes of the kind shown in Fig. 3.

The 3d Model on \mathbb{R}^3 and an Open Membrane Theory in \mathfrak{A}_2

Hence, one can understand the 3d gauged sigma model on \mathbb{R}^3 with target space \mathfrak{A}_2 to define an open membrane theory in \mathfrak{A}_2 , with *effective* worldvolume, boundaries, and edges shown in Fig. 3, where ξ is the temporal direction, and τ and t are the spatial directions, respectively.

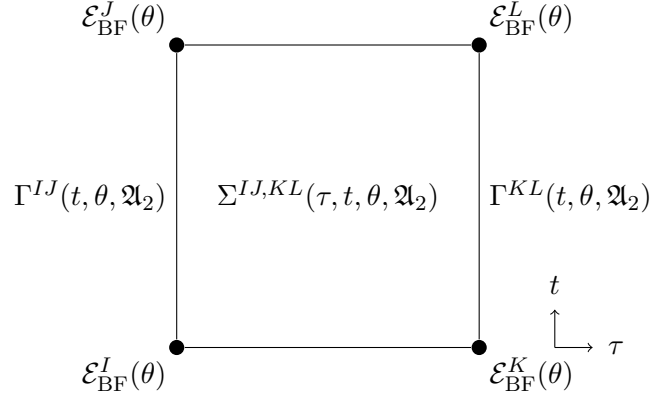


Figure 2: \mathfrak{A}_2^θ -sheet $\Sigma^{IJ, KL}(\tau, t, \theta, \mathfrak{A}_2)$ with edges being \mathfrak{A}_2^θ -solitons $\Gamma^{IJ}(t, \theta, \mathfrak{A}_2)$ and $\Gamma^{KL}(t, \theta, \mathfrak{A}_2)$, and vertices corresponding to $\mathcal{E}_{\text{BF}}^I(\theta)$, $\mathcal{E}_{\text{BF}}^J(\theta)$, $\mathcal{E}_{\text{BF}}^K(\theta)$, and $\mathcal{E}_{\text{BF}}^L(\theta)$.

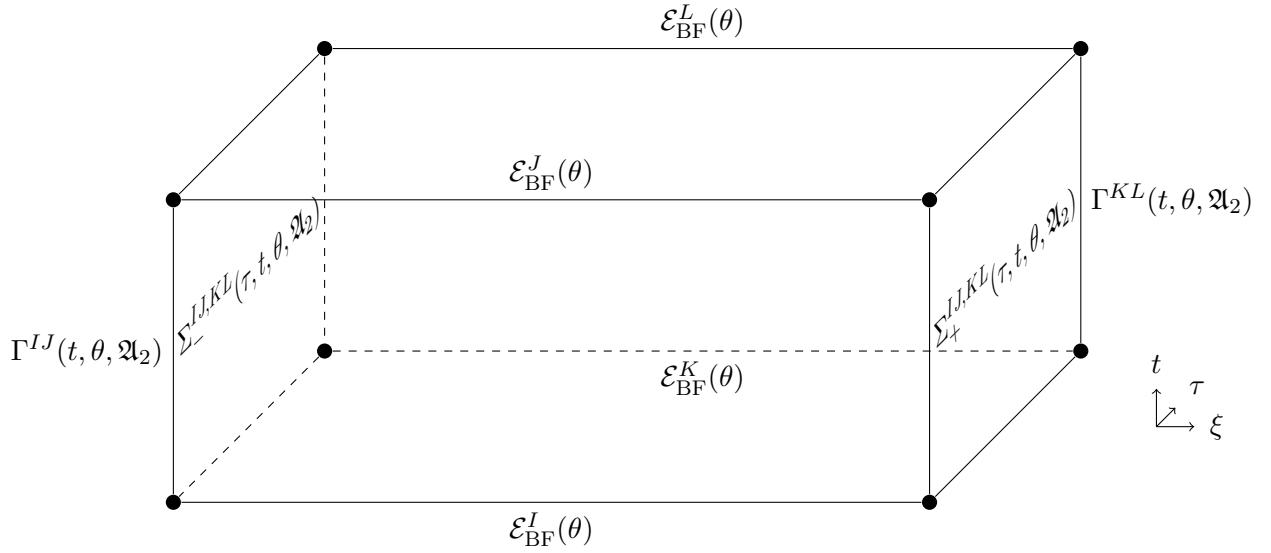


Figure 3: BPS worldvolume with \mathfrak{A}_2^θ -sheets $\Sigma_{\pm}^{IJ, KL}(\tau, t, \theta, \mathfrak{A}_2)$, boundaries labeled by \mathfrak{A}_2^θ -solitons $\Gamma^{IJ}(t, \theta, \mathfrak{A}_2)$ and $\Gamma^{KL}(t, \theta, \mathfrak{A}_2)$, and edges labeled by $\mathcal{E}_{\text{BF}}^I(\theta)$, $\mathcal{E}_{\text{BF}}^J(\theta)$, $\mathcal{E}_{\text{BF}}^K(\theta)$, and $\mathcal{E}_{\text{BF}}^L(\theta)$.

In short, the classical trajectories of HW theory on $M_2 \times \mathbb{R}^3$ are the SQM flow lines in the equivalent 1d SQM, which will correspond to BPS worldsheets in the 2d gauged sigma model with target space $\mathcal{M}(\mathbb{R}_t, \mathfrak{A}_2)$ of the kind shown in Fig. 1, which, in turn, will correspond to BPS worldvolumes in the 3d gauged sigma model with target space \mathfrak{A}_2 of the kind shown in Fig. 3.

3.4 Soliton String Theory, the HW Partition Function, and an FS type A_∞ -category of \mathfrak{A}_2^θ -solitons

The 2d Model as a 2d Gauged LG Model

Notice that we can also express (3.33) as

$$\begin{aligned} \frac{D(\tilde{A}_t)^m}{D\xi} - k \frac{D(\tilde{A}_t)^m}{D\tau} + k \left(\frac{DC^m}{D\xi} - k \frac{DC^m}{D\tau} \right) + iF_{\xi\tau} &= i(\tilde{D}_t C)^m - j_\theta \mathcal{F}^m, \\ \frac{D\mathcal{A}^m}{D\xi} - k_\theta \frac{D\mathcal{A}^m}{D\tau} &= -j_\theta (\tilde{D}_t \mathcal{A})^m + i(\mathcal{D}C)^m. \end{aligned} \quad (3.38)$$

In turn, this means that we can express the action of the 2d gauged sigma model with target space $\mathcal{M}(\mathbb{R}_t, \mathfrak{A}_2)$ in (3.12) as

$$\begin{aligned} S_{2\text{d-LG}, \mathcal{M}(\mathbb{R}_t, \mathfrak{A}_2)} &= \int d\tau d\xi \left(\left| (D_\xi - kD_\tau) \left((\tilde{A}_t)^m + kC^m \right) + iF_{\xi\tau} - i(\tilde{D}_t C)^m + j_\theta \mathcal{F}^m \right|^2 \right. \\ &\quad \left. + \left| (D_\xi - k_\theta D_\tau) \mathcal{A}^m + j_\theta (\tilde{D}_t \mathcal{A})^m - i(\mathcal{D}C)^m \right|^2 + \dots \right) \\ &= \int d\tau d\xi \left(\left| (D_\xi - kD_\tau) \left((\tilde{A}_t)^m + kC^m \right) + iF_{\xi\tau} + g_{\mathcal{M}(\mathbb{R}_t, \mathfrak{A}_2)}^{m\bar{n}} \left(\frac{j\zeta}{2} \frac{\partial W_2}{\partial (\tilde{A}_t)^n} \right)^* + kg_{\mathcal{M}(\mathbb{R}_t, \mathfrak{A}_2)}^{m\bar{n}} \left(\frac{j\zeta}{2} \frac{\partial W_2}{\partial C^n} \right)^* \right|^2 \right. \\ &\quad \left. + \left| (D_\xi - k_\theta D_\tau) \mathcal{A}^m + g_{\mathcal{M}(\mathbb{R}_t, \mathfrak{A}_2)}^{m\bar{n}} \left(\frac{j\zeta}{2} \frac{\partial W_2}{\partial \mathcal{A}^n} \right)^* \right|^2 + \dots \right) \\ &= \int d\tau d\xi \left(|D_\rho \mathcal{A}^m|^2 + |D_\rho C^m|^2 + |D_\rho (\tilde{A}_t)^m|^2 + \left| \frac{\partial W_2}{\partial \mathcal{A}^m} \right|^2 + \left| \frac{\partial W_2}{\partial C^m} \right|^2 + \left| \frac{\partial W_2}{\partial (\tilde{A}_t)^m} \right|^2 + |F_{\xi\tau}|^2 + \dots \right), \end{aligned} \quad (3.39)$$

where ρ is the index on the worldsheet, $g_{\mathcal{M}(\mathbb{R}_t, \mathfrak{A}_2)}^{m\bar{n}}$ is the metric on $\mathcal{M}(\mathbb{R}_t, \mathfrak{A}_2)$, and $\zeta = e^{i\theta}$. In other words, the 2d gauged sigma model with target space $\mathcal{M}(\mathbb{R}_t, \mathfrak{A}_2)$ can also be interpreted as a 2d gauged LG model with target space $\mathcal{M}(\mathbb{R}_t, \mathfrak{A}_2)$ and a holomorphic superpotential $W_2(\mathcal{A}, C, \tilde{A}_t)$.

By setting $d_\xi C^m = 0 = d_\xi \mathcal{A}^m$ and $A_\xi, A_\tau, (\tilde{A}_t)^m \rightarrow 0$ in the expression within the squared terms in (3.39), we can read off the LG $\mathcal{M}^\theta(\mathbb{R}_t, \mathfrak{A}_2)$ -soliton equations corresponding to $\sigma_\pm^{IJ, KL}(\tau, \theta, \mathfrak{A}_2)$

(that re-expresses (3.30)) as

$$\begin{aligned}\frac{dC^m}{d\tau} &= -g_{\mathcal{M}(\mathbb{R}_t, \mathfrak{A}_2)}^{m\bar{n}} \left(\frac{j\zeta}{2} \frac{\partial W_2}{\partial(\tilde{A}_t)^n} \right)_{\tilde{A}_t=0}^* - kg_{\mathcal{M}(\mathbb{R}_t, \mathfrak{A}_2)}^{m\bar{n}} \left(\frac{j\zeta}{2} \frac{\partial W_2}{\partial C^n} \right)_{\tilde{A}_t=0}^*, \\ \frac{d\mathcal{A}^m}{d\tau} &= -k_\theta g_{\mathcal{M}(\mathbb{R}_t, \mathfrak{A}_2)}^{m\bar{n}} \left(\frac{j\zeta}{2} \frac{\partial W_2}{\partial \mathcal{A}^n} \right)_{\tilde{A}_t=0}^*,\end{aligned}\tag{3.40}$$

where the subscript “ $\tilde{A}_t = 0$ ” means to set \tilde{A}_t to zero in those terms.

By setting $d_\tau C^m = 0 = d_\tau \mathcal{A}^m$ in (3.40), we get the LG $\mathcal{M}^\theta(\mathbb{R}_t, \mathfrak{A}_2)$ -soliton endpoint equations corresponding to $\sigma^{IJ, KL}(\pm\infty, \theta, \mathfrak{A}_2)$ (that re-expresses (3.31)) as

$$\begin{aligned}g_{\mathcal{M}(\mathbb{R}_t, \mathfrak{A}_2)}^{m\bar{n}} \left(\frac{j\zeta}{2} \frac{\partial W_2}{\partial(\tilde{A}_t)^n} \right)_{\tilde{A}_t=0}^* + kg_{\mathcal{M}(\mathbb{R}_t, \mathfrak{A}_2)}^{m\bar{n}} \left(\frac{j\zeta}{2} \frac{\partial W_2}{\partial C^n} \right)_{\tilde{A}_t=0}^* &= 0, \\ k_\theta g_{\mathcal{M}(\mathbb{R}_t, \mathfrak{A}_2)}^{m\bar{n}} \left(\frac{j\zeta}{2} \frac{\partial W_2}{\partial \mathcal{A}^n} \right)_{\tilde{A}_t=0}^* &= 0.\end{aligned}\tag{3.41}$$

Recall from the end of §3.2 that we are only considering certain M_2 and G such that the θ -deformed $G_{\mathbb{C}}$ -BF configurations are isolated and non-degenerate. Next, recall also that such configurations will correspond to the endpoints of the \mathfrak{A}_2^θ -solitons; therefore, just like their endpoints, these \mathfrak{A}_2^θ -solitons would be isolated and non-degenerate. As these \mathfrak{A}_2^θ -solitons will correspond, in the 2d gauged sigma model, to the endpoints of the $\mathcal{M}^\theta(\mathbb{R}_t, \mathfrak{A}_2)$ -solitons, i.e., $\sigma^{IJ, KL}(\pm\infty, \theta, \mathfrak{A}_2)$, this means the latter are also isolated and non-degenerate. Thus, from their definition in (3.41) which tells us that they are critical points of $W_2(\mathcal{A}, C, \tilde{A}_t)$, we conclude that $W_2(\mathcal{A}, C, \tilde{A}_t)$ can be regarded as a holomorphic Morse function in $\mathcal{M}(\mathbb{R}_t, \mathfrak{A}_2)$.

Since we are able to interpret the 2d gauged sigma model as a 2d gauged LG model with holomorphic superpotential $W_2(\mathcal{A}, C, \tilde{A}_t)$, we can make use of the well-known fact that an LG $\mathcal{M}^\theta(\mathbb{R}_t, \mathfrak{A}_2)$ -soliton maps to a straight line segment in the complex W_2 -plane. Specifically, an LG $\mathcal{M}^\theta(\mathbb{R}_t, \mathfrak{A}_2)$ -soliton defined in (3.40) will map to a straight line segment $[W_2^{IJ}(\theta), W_2^{KL}(\theta)]$ in the complex W_2 -plane that starts and ends at the critical values $W_2^{IJ}(\theta) \equiv W_2(\sigma^{IJ}(-\infty, \theta, \mathfrak{A}_2))$ and $W_2^{KL}(\theta) \equiv W_2(\sigma^{KL}(+\infty, \theta, \mathfrak{A}_2))$, respectively, where its slope depends on θ (via ζ). We shall also assume that $\text{Re}(W_2^{IJ}(\theta)) < \text{Re}(W_2^{KL}(\theta))$ and that $I \neq J$, $J \neq K$, and $K \neq L$.

The 2d Gauged LG Model as an LG SQM

Last but not least, after suitable rescalings, we can recast (3.39) as a 1d LG SQM (that re-expresses (3.14)), where its action will be given by¹⁷

$$\begin{aligned}S_{\text{2d-LG SQM}, \mathcal{M}(\mathbb{R}_\tau, \mathcal{M}(\mathbb{R}_t, \mathfrak{A}_2))} &= \int d\xi \left(\left| (d_\xi \check{A}^u + kd_\xi C^u) + \left(g_{\mathcal{M}(\mathbb{R}_\tau, \mathcal{M}(\mathbb{R}_t, \mathfrak{A}_2))}^{uv} \frac{\partial H_2}{\partial \check{A}^v} + kg_{\mathcal{M}(\mathbb{R}_\tau, \mathcal{M}(\mathbb{R}_t, \mathfrak{A}_2))}^{uv} \frac{\partial H_2}{\partial C^v} \right) \right|^2 \right. \\ &\quad \left. + \left| d_\xi \mathcal{A}^u + g_{\mathcal{M}(\mathbb{R}_\tau, \mathcal{M}(\mathbb{R}_t, \mathfrak{A}_2))}^{uv} \frac{\partial H_2}{\partial \mathcal{A}^v} \right|^2 + \dots \right),\end{aligned}\tag{3.42}$$

¹⁷In the following expression, we have integrated out A_ξ and omitted the fields corresponding to the finite-energy gauge fields $A_{\{t, \tau\}}$ (as explained in footnote 13).

where $H_2(\mathcal{A}, C, \check{A})$ is the *real-valued* potential in $\mathcal{M}(\mathbb{R}_\tau, \mathcal{M}(\mathbb{R}_t, \mathfrak{A}_2))$, and the subscript “2d-LG SQM, $\mathcal{M}(\mathbb{R}_\tau, \mathcal{M}(\mathbb{R}_t, \mathfrak{A}_2))$ ” is to specify that it is a 1d SQM in $\mathcal{M}(\mathbb{R}_\tau, \mathcal{M}(\mathbb{R}_t, \mathfrak{A}_2))$ obtained from the equivalent 2d LG model. We will also refer to this 1d LG SQM as “2d-LG SQM” in the rest of this subsection, so as to distinguish it from something similar that will appear in the next subsection.

The 2d-LG SQM will localize onto configurations that *simultaneously* set to zero the LHS and RHS of the expression within the squared terms in (3.42). In other words, it will localize onto ξ -invariant critical points of $H_2(\mathcal{A}, C, \check{A})$ that will correspond to the LG $\mathcal{M}^\theta(\mathbb{R}_t, \mathfrak{A}_2)$ -solitons defined by (3.40). For our choice of M_2 and G , the LG $\mathcal{M}^\theta(\mathbb{R}_t, \mathfrak{A}_2)$ -solitons, just like their endpoints, will be isolated and non-degenerate. Thus, $H_2(\mathcal{A}, C, \check{A})$ can be regarded as a real-valued Morse functional in $\mathcal{M}(\mathbb{R}_\tau, \mathcal{M}(\mathbb{R}_t, \mathfrak{A}_2))$.

Morphisms from $\gamma^{IJ}(\theta, \mathfrak{A}_2)$ to $\gamma^{KL}(\theta, \mathfrak{A}_2)$ as Floer Homology Classes of Intersecting Thimbles

Note that we can also describe an LG $\mathcal{M}^\theta(\mathbb{R}_t, \mathfrak{A}_2)$ -soliton in terms of the intersection of thimbles. One can understand such thimbles as submanifolds of a certain fiber space over the complex W_2 -plane. In particular, solutions satisfying

$$\lim_{\tau \rightarrow -\infty} \sigma_\pm(\tau, \theta, \mathfrak{A}_2) = \sigma^{IJ}(-\infty, \theta, \mathfrak{A}_2) \quad (3.43)$$

are known as left thimbles with the collection of such solutions denoted as S_{BF}^{IJ} , whilst those satisfying

$$\lim_{\tau \rightarrow +\infty} \sigma_\pm(\tau, \theta, \mathfrak{A}_2) = \sigma^{KL}(+\infty, \theta, \mathfrak{A}_2) \quad (3.44)$$

are known as right thimbles with the collection of such solutions denoted as S_{BF}^{KL} . Therefore, left and right thimbles would correspond, respectively, to the left and right endpoints of an LG $\mathcal{M}^\theta(\mathbb{R}_t, \mathfrak{A}_2)$ -soliton solution $\sigma_\pm^{IJ, KL}(\tau, \theta, \mathfrak{A}_2)$.

Clearly, a $\sigma_\pm^{IJ, KL}(\tau, \theta, \mathfrak{A}_2)$ -soliton must simultaneously be in a left and right thimble. Thus, it can be represented as a transversal intersection of the left and right thimble in the fiber space over the line segment $[W_2^{IJ}(\theta), W_2^{KL}(\theta)]$.¹⁸ In other words, each $\sigma_\pm^{IJ, KL}(\tau, \theta, \mathfrak{A}_2)$ -soliton pair, whose left and right endpoints correspond to $\gamma^{IJ}(\theta, \mathfrak{A}_2)$ and $\gamma^{KL}(\theta, \mathfrak{A}_2)$ on a BPS worldsheet as shown in Fig. 1, will correspond to a pair of intersection points $p_{\text{BF}, \pm}^{IJ, KL}(\theta) \in S_{\text{BF}}^{IJ} \cap S_{\text{BF}}^{KL}$.

This therefore means that the 2d-LG SQM in $\mathcal{M}(\mathbb{R}_\tau, \mathcal{M}(\mathbb{R}_t, \mathfrak{A}_2))$ with action (3.42), will physically realize a Floer homology that we shall name an $\mathcal{M}(\mathbb{R}_t, \mathfrak{A}_2)$ -LG Floer homology. The chains of the $\mathcal{M}(\mathbb{R}_t, \mathfrak{A}_2)$ -LG Floer complex will be generated by LG $\mathcal{M}^\theta(\mathbb{R}_t, \mathfrak{A}_2)$ -solitons which we can identify with $p_{\text{BF}, \pm}^{**, **}(\theta)$, and the $\mathcal{M}(\mathbb{R}_t, \mathfrak{A}_2)$ -LG Floer differential will be realized by the flow lines governed by the gradient flow equations satisfied by the ξ -varying configurations which set the expression within the squared terms in (3.42) to zero. The partition function of the 2d-LG SQM

¹⁸This intersection is guaranteed at some θ , for which we can freely tune as the physical theory is symmetric under its variation.

in $\mathcal{M}(\mathbb{R}_\tau, \mathcal{M}(\mathbb{R}_t, \mathfrak{A}_2))$ will then be given by¹⁹

$$\mathcal{Z}_{2\text{d-LG SQM}, \mathcal{M}(\mathbb{R}_\tau, \mathcal{M}(\mathbb{R}_t, \mathfrak{A}_2))}(G) = \sum_{I \neq J \neq K \neq L=1}^l \sum_{p_{\text{BF}, \pm}^{IJ, KL} \in S_{\text{BF}}^{IJ} \cap S_{\text{BF}}^{KL}} \text{HF}_{d_m}^G(p_{\text{BF}, \pm}^{IJ, KL}(\theta)). \quad (3.45)$$

Here, the contribution $\text{HF}_{d_m}^G(p_{\text{BF}, \pm}^{IJ, KL}(\theta))$ can be identified with a homology class in an $\mathcal{M}(\mathbb{R}_t, \mathfrak{A}_2)$ -LG Floer homology generated by intersection points of thimbles. These intersection points represent LG $\mathcal{M}^\theta(\mathbb{R}_t, \mathfrak{A}_2)$ -solitons defined by (3.40), whose endpoints correspond to θ -deformed, non-constant paths in $\mathcal{M}(\mathbb{R}_t, \mathfrak{A}_2)$ defined by (3.41). The degree of each chain in the complex is d_m , and is counted by the number of outgoing flow lines from the fixed critical points of $H_2(\mathcal{A}, C, \check{A})$ in $\mathcal{M}(\mathbb{R}_\tau, \mathcal{M}(\mathbb{R}_t, \mathfrak{A}_2))$ which can also be identified as $p_{\text{BF}, \pm}^{IJ, KL}(\theta)$.

Therefore, $\mathcal{Z}_{2\text{d-LG SQM}, \mathcal{M}(\mathbb{R}_\tau, \mathcal{M}(\mathbb{R}_t, \mathfrak{A}_2))}(G)$ in (3.45) is a sum of LG $\mathcal{M}^\theta(\mathbb{R}_t, \mathfrak{A}_2)$ -solitons defined by (3.40) with endpoints (3.41), or equivalently, $\sigma_{\pm}^{IJ, KL}(\tau, \theta, \mathfrak{A}_2)$ -solitons defined by (3.30) with endpoints (3.24), whose start and end correspond to the non-constant paths $\gamma^{IJ}(\theta, \mathfrak{A}_2)$ and $\gamma^{KL}(\theta, \mathfrak{A}_2)$, respectively. In other words, we can write

$$\text{CF}_{\mathcal{M}(\mathbb{R}_t, \mathfrak{A}_2)}(\gamma^{IJ}(\theta, \mathfrak{A}_2), \gamma^{KL}(\theta, \mathfrak{A}_2))_{\pm} = \text{HF}_{d_m}^G(p_{\text{BF}, \pm}^{IJ, KL}(\theta)), \quad (3.46)$$

where $\text{CF}_{\mathcal{M}(\mathbb{R}_t, \mathfrak{A}_2)}(\gamma^{IJ}(\theta, \mathfrak{A}_2), \gamma^{KL}(\theta, \mathfrak{A}_2))_{\pm}$ is a vector representing a $\sigma_{\pm}^{IJ, KL}(\tau, \theta, \mathfrak{A}_2)$ -soliton, such that $\text{Re}(W_2^{IJ}(\theta)) < \text{Re}(W_2^{KL}(\theta))$.

Now, let us make use of the fact that a soliton can be regarded as a morphism between its endpoints. Specifically, the pair of $\sigma_{\pm}^{IJ, KL}(\tau, \theta, \mathfrak{A}_2)$ -solitons can be regarded as a pair of morphisms $\text{Hom}(\gamma^{IJ}(\theta, \mathfrak{A}_2), \gamma^{KL}(\theta, \mathfrak{A}_2))_{\pm}$ from $\gamma^{IJ}(\theta, \mathfrak{A}_2)$ to $\gamma^{KL}(\theta, \mathfrak{A}_2)$. Thus, we have the following one-to-one identification²⁰

$$\boxed{\text{Hom}(\gamma^{IJ}(\mathfrak{A}_2), \gamma^{KL}(\mathfrak{A}_2))_{\pm} \iff \text{HF}_{d_m}^G(p_{\text{BF}, \pm}^{IJ, KL})} \quad (3.47)$$

where the RHS is proportional to the identity class when $I = K$ and $J = L$, and zero when $I \leftrightarrow K$ and $J \leftrightarrow L$ (since the $\sigma_{\pm}^{IJ, KL}(\tau, \theta, \mathfrak{A}_2)$ -soliton only moves in one direction from $\gamma^{IJ}(\theta, \mathfrak{A}_2)$ to $\gamma^{KL}(\theta, \mathfrak{A}_2)$ as depicted in Fig. 1).

Soliton String Theory from the 2d LG model

Just like the 2d gauged sigma model, the equivalent 2d gauged LG model will define an open string theory in $\mathcal{M}(\mathbb{R}_t, \mathfrak{A}_2)$ with effective worldsheets and boundaries shown in Fig. 1, where ξ and τ are the temporal and spatial directions, respectively.

The dynamics of this open string theory in $\mathcal{M}(\mathbb{R}_t, \mathfrak{A}_2)$ will be governed by the BPS worldsheet equations of (3.38), where $(\mathcal{A}^m, C^m, (\tilde{A}_t)^m)$ are scalars on the worldsheet corresponding to the holomorphic coordinates of $\mathcal{M}(\mathbb{R}_t, \mathfrak{A}_2)$. At an arbitrary instant in time whence $d_{\xi} \mathcal{A}^m = d_{\xi} C^m = 0 = d_{\xi} (\tilde{A}_t)^m = d_{\xi} A_{\tau}$ in (3.38), the dynamics of $(\mathcal{A}^m, \mathcal{C}^m, (\tilde{A}_t)^m)$ and the 2d gauge fields (A_{τ}, A_{ξ})

¹⁹The ‘ θ ’ label is omitted in the LHS of the following expression, as the physical theory is actually equivalent for all values of θ .

²⁰The ‘ θ ’ label is omitted in the following expression as the physical theory is actually equivalent for all values of θ .

along τ will be governed by the soliton equations

$$\begin{aligned} \frac{d(\tilde{A}_t)^m}{d\tau} + k \frac{dC^m}{d\tau} - j \frac{dA_\xi}{d\tau} &= -k[A_\xi - kA_\tau, (\tilde{A}_t)^m + kC^m] + j[A_\tau, A_\xi] \\ &\quad - kg_{\mathcal{M}(\mathbb{R}_t, \mathfrak{A}_2)}^{m\bar{n}} \left(\frac{j\zeta}{2} \frac{\partial W_2}{\partial (\tilde{A}_t)^n} \right)^* + g_{\mathcal{M}(\mathbb{R}_t, \mathfrak{A}_2)}^{m\bar{n}} \left(\frac{j\zeta}{2} \frac{\partial W_2}{\partial C^n} \right)^*, \\ k_\theta \frac{d\mathcal{A}^m}{d\tau} &= [A_\xi - k_\theta A_\tau, \mathcal{A}^m] + g_{\mathcal{M}(\mathbb{R}_t, \mathfrak{A}_2)}^{m\bar{n}} \left(\frac{j\zeta}{2} \frac{\partial W_2}{\partial \mathcal{A}^n} \right)^*. \end{aligned} \quad (3.48)$$

Hence, just as a topological A-model with a worldsheet scalar \mathcal{A}^m can be interpreted as an instanton string theory whose corresponding dynamics of the fields along the spatial τ -direction will be governed by the instanton equation $d\mathcal{A}^m/d\tau = 0$, our LG model can be interpreted as a *soliton* string theory.

The Normalized HW Partition Function, LG $\mathcal{M}^\theta(\mathbb{R}_t, \mathfrak{A}_2)$ -soliton String Scattering, and Maps of an A_∞ -structure

The spectrum of HW theory is given by the \mathcal{Q} -cohomology of operators. In particular, its normalized 5d partition function will be a sum over the free-field correlation functions of these operators.²¹ As our HW theory is semi-classical, these correlation functions will correspond to tree-level scattering only. From the equivalent 2d-LG SQM and the 2d gauged LG model perspective, the \mathcal{Q} -cohomology will be spanned by the LG $\mathcal{M}^\theta(\mathbb{R}_t, \mathfrak{A}_2)$ -soliton strings defined by (3.40). In turn, this means that the normalized HW partition function can also be regarded as a sum over tree-level scattering amplitudes of these LG soliton strings. The BPS worldsheet underlying such a tree-level scattering amplitude is shown in Fig. 4.²²

In other words, we can express the normalized HW partition function as

$$\tilde{Z}_{\text{HW}, M_2 \times \mathbb{R}^3}(G) = \sum_{\mathfrak{N}_l} \mu_{\mathfrak{A}_2}^{\mathfrak{N}_l}, \quad \mathfrak{N}_l = \begin{cases} 1, 2, \dots, \frac{l-2}{2}, & l \text{ even} \\ 1, 2, \dots, \frac{l-3}{2}, & l \text{ odd} \end{cases} \quad (3.49)$$

where each

$$\boxed{\mu_{\mathfrak{A}_2}^{\mathfrak{N}_l} : \bigotimes_{i=1}^{\mathfrak{N}_l} \text{Hom}(\gamma^{I_{2i-1}I_{2i}}(\mathfrak{A}_2), \gamma^{I_{2(i+1)-1}I_{2(i+1)}}(\mathfrak{A}_2))_- \longrightarrow \text{Hom}(\gamma^{I_1I_2}(\mathfrak{A}_2), \gamma^{I_{2\mathfrak{N}_l+1}I_{2\mathfrak{N}_l+2}}(\mathfrak{A}_2))_+} \quad (3.50)$$

is a scattering amplitude of \mathfrak{N}_l incoming LG $\mathcal{M}^\theta(\mathbb{R}_t, \mathfrak{A}_2)$ -soliton strings $\text{Hom}(\gamma^{I_1I_2}(\mathfrak{A}_2), \gamma^{I_3I_4}(\mathfrak{A}_2))_-$, \dots , $\text{Hom}(\gamma^{I_{2\mathfrak{N}_l-1}I_{2\mathfrak{N}_l}}(\mathfrak{A}_2), \gamma^{I_{2\mathfrak{N}_l+1}I_{2\mathfrak{N}_l+2}}(\mathfrak{A}_2))_-$, and a single outgoing LG $\mathcal{M}^\theta(\mathbb{R}_t, \mathfrak{A}_2)$ -soliton string $\text{Hom}(\gamma^{I_1I_2}(\mathfrak{A}_2), \gamma^{I_{2\mathfrak{N}_l+1}I_{2\mathfrak{N}_l+2}}(\mathfrak{A}_2))_+$, with left and right boundaries as labeled, whose underlying

²¹HW theory is a balanced TQFT [5], whence the 5d normalized HW partition function can be computed by bringing down interaction terms to absorb fermion pair zero-modes in the path integral measure. These interaction terms can be regarded as operators of the free-field theory that are necessarily in the \mathcal{Q} -cohomology (since the non-vanishing partition function ought to remain \mathcal{Q} -invariant), where their contribution to the normalized partition function can be understood as free-field correlation functions.

²²Here, we have exploited the topological and hence conformal invariance of the soliton string theory to replace the outgoing LG $\mathcal{M}^\theta(\mathbb{R}_t, \mathfrak{A}_2)$ -soliton strings with their vertex operators on the disc, then used their coordinate-independent operator products to reduce them to a single vertex operator, before finally translating it back as a single outgoing LG $\mathcal{M}^\theta(\mathbb{R}_t, \mathfrak{A}_2)$ -soliton string.

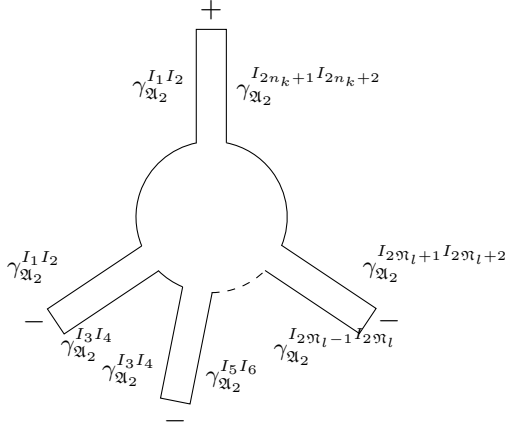


Figure 4: Tree-level scattering BPS worldsheet of incoming (-) and outgoing (+) LG $\mathcal{M}^\theta(\mathbb{R}_t, \mathfrak{A}_2)$ -soliton strings.

worldsheet shown in Fig. 4 can be regarded as a disc with $\mathfrak{N}_l + 1$ vertex operators at the boundary. In short, $\mu_{\mathfrak{A}_2}^{\mathfrak{N}_l}$ counts pseudoholomorphic discs with $\mathfrak{N}_l + 1$ punctures at the boundary that are mapped to $\mathcal{M}(\mathbb{R}_t, \mathfrak{A}_2)$ according to the BPS worldsheet equations (3.38).

In turn, this means that $\mu_{\mathfrak{A}_2}^{\mathfrak{N}_l}$ counts the moduli of solutions to (3.7) (or equivalently (3.5)) with $\mathfrak{N}_l + 1$ boundary conditions that can be described as follows. First, note that we can regard \mathbb{R}^2 as the effective worldsheet in Fig. 4 that we shall denote as Ω such that M_5 can be interpreted as a trivial $\mathbb{R}_t \times M_2$ fibration over Ω . Then, at the $\mathfrak{N}_l + 1$ soliton strings on Ω where $\xi = \pm\infty$, (3.7) will become (3.22) and (3.23) with $A_\xi, A_\tau, A_t \rightarrow 0$, and over the soliton string boundaries on Ω where $\tau = \pm\infty$, (3.7) will become (3.22) and (3.23) with $A_\xi, A_\tau, A_t \rightarrow 0$ and $\partial_\tau C = 0 = \partial_\tau \mathcal{A}_w$, which defines solitons along \mathbb{R}_t whose endpoints are θ -deformed $G_{\mathbb{C}}$ -BF configurations on M_2 .

Note at this point that the collection of $\mu_{\mathfrak{A}_2}^{\mathfrak{N}_l}$ maps in (3.50) can be regarded as composition maps defining an A_∞ -structure.

An FS type A_∞ -category of \mathfrak{A}_2^θ -solitons

Altogether, this means that the normalized partition function of HW theory on $M_2 \times \mathbb{R}^3$ as expressed in (3.49), manifests a *novel* FS type A_∞ -category defined by the $\mu_{\mathfrak{A}_2}^{\mathfrak{N}_l}$ maps (3.50) and the one-to-one identification (3.47), where the $\mathfrak{N}_l + 1$ number of objects $\{\gamma^{I_1 I_2}(\mathfrak{A}_2), \gamma^{I_3 I_4}(\mathfrak{A}_2), \dots, \gamma^{I_{2n_l+1} I_{2n_l+2}}(\mathfrak{A}_2)\}$ correspond to \mathfrak{A}_2^θ -solitons with endpoints themselves corresponding to (θ -deformed) $G_{\mathbb{C}}$ -BF configurations on M_2 !

3.5 Soliton Membrane Theory, the HW Partition Function, and a Fueter type A_∞ -2-category 2-categorifying the 3d-HW Floer Homology of M_2

The 3d Model as a Gauged LG Model

Notice that we can also express (3.37) (corresponding to (3.33) in the 2d gauged sigma model)

as

$$\begin{aligned}
i\frac{DC^a}{D\xi} + j\frac{DC^a}{D\tau} + k\frac{DC^a}{Dt} + iF_{\tau t} + jF_{t\xi} + kF_{\xi\tau} &= e^{-i\theta}\mathcal{F}^a \\
ie^{-i\theta}\frac{D\mathcal{A}^a}{D\xi} + j\frac{D\mathcal{A}^a}{D\tau} + k\frac{D\mathcal{A}^a}{Dt} &= -e^{-i\theta}(\mathcal{D}C)^a,
\end{aligned} \tag{3.51}$$

which are non-constant, θ -deformed, gauged Fueter equations for the (\mathcal{A}^a, C^a) fields (that will correspond to (3.38) in the 2d gauged LG model).

Doing so, the action of the 3d gauged sigma model with target \mathfrak{A}_2 in (3.10) can be expressed as

$$\begin{aligned}
S_{3d\text{-LG},\mathfrak{A}_2} &= \frac{1}{e^2} \int dt d\tau d\xi \left(\left| iD_\xi C^a + jD_\tau C^a + kD_t C^a + iF_{\tau t} + jF_{t\xi} + kF_{\xi\tau} - e^{-i\theta}\mathcal{F}^a \right|^2 \right. \\
&\quad \left. + \left| ie^{-i\theta}D_\xi \mathcal{A}^a + jD_\tau \mathcal{A}^a + kD_t \mathcal{A}^a + e^{-i\theta}(\mathcal{D}C)^a \right|^2 + \dots \right) \\
&= \frac{1}{e^2} \int dt d\tau d\xi \left(\left| iD_\xi C^a + jD_\tau C^a + kD_t C^a + iF_{\tau t} + jF_{t\xi} + kF_{\xi\tau} - ig_{\mathfrak{A}_2}^{a\bar{b}} \left(\frac{i\zeta}{2} \frac{\partial \mathcal{W}_2}{\partial C^b} \right)^* \right|^2 \right. \\
&\quad \left. + \left| ie^{-i\theta}D_\xi \mathcal{A}^a + jD_\tau \mathcal{A}^a + kD_t \mathcal{A}^a + ig_{\mathfrak{A}_2}^{a\bar{b}} \left(\frac{i\zeta}{2} \frac{\partial \mathcal{W}_2}{\partial \mathcal{A}^b} \right)^* \right|^2 + \dots \right) \\
&= \frac{1}{e^2} \int dt d\tau d\xi \left(|D_\varrho \mathcal{A}^a|^2 + |D_\varrho C^a|^2 + \left| \frac{\partial \mathcal{W}_2}{\partial \mathcal{A}^a} \right|^2 + \left| \frac{\partial \mathcal{W}_2}{\partial C^a} \right|^2 + |F_{\tau t}|^2 + |F_{t\xi}|^2 + |F_{\xi\tau}|^2 + \dots \right),
\end{aligned} \tag{3.52}$$

where ϱ is the index on the worldvolume, and $g_{\mathfrak{A}_2}$ is the metric on \mathfrak{A}_2 . In other words, our 3d gauged sigma model can also be interpreted as a 3d gauged LG model in \mathfrak{A}_2 with holomorphic superpotential $\mathcal{W}_2(\mathcal{A}, C) = \int_{M_2} C \wedge \mathcal{F}$.

By setting $d_\xi C^a = 0 = d_\xi \mathcal{A}^a$ and $A_t, A_\tau, A_\xi \rightarrow 0$ in the expression within the squared terms in (3.52), we can read off the LG \mathfrak{A}_2^θ -sheet equations corresponding to $\Sigma_\pm^{JJ,KL}(\tau, t, \theta, \mathfrak{A}_2)$ (that re-expresses (3.34)) as

$$\begin{aligned}
j\frac{dC^a}{d\tau} + k\frac{dC^a}{dt} &= ig_{\mathfrak{A}_2}^{a\bar{b}} \left(\frac{i\zeta}{2} \frac{\partial \mathcal{W}_2}{\partial C^b} \right)^*, \\
j\frac{d\mathcal{A}^a}{d\tau} + k\frac{d\mathcal{A}^a}{dt} &= -ig_{\mathfrak{A}_2}^{a\bar{b}} \left(\frac{i\zeta}{2} \frac{\partial \mathcal{W}_2}{\partial \mathcal{A}^b} \right)^*.
\end{aligned} \tag{3.53}$$

By setting $d_\tau C^a = 0 = d_\tau \mathcal{A}^a$ in (3.53), we can read off the LG \mathfrak{A}_2^θ -soliton equations corresponding to $\Gamma^{JJ}(t, \theta, \mathfrak{A}_2)$ and $\Gamma^{KL}(t, \theta, \mathfrak{A}_2)$, or equivalently, the LG \mathfrak{A}_2^θ -sheet edge equations corresponding to $\Sigma^{JJ,KL}(\pm\infty, t, \theta, \mathfrak{A}_2)$, (that re-expresses (3.25)) as

$$\begin{aligned}
k\frac{dC^a}{dt} &= ig_{\mathfrak{A}_2}^{a\bar{b}} \left(\frac{i\zeta}{2} \frac{\partial \mathcal{W}_2}{\partial C^b} \right)^*, \\
k\frac{d\mathcal{A}^a}{dt} &= -ig_{\mathfrak{A}_2}^{a\bar{b}} \left(\frac{i\zeta}{2} \frac{\partial \mathcal{W}_2}{\partial \mathcal{A}^b} \right)^*.
\end{aligned} \tag{3.54}$$

By setting $d_t C^a = 0 = d_t \mathcal{A}^a$ in (3.54), we can read off the LG \mathfrak{A}_2^θ -soliton endpoint equations corresponding to $\Gamma^{**}(\pm\infty, \theta, \mathfrak{A}_2)$, or equivalently, the LG \mathfrak{A}_2^θ -sheet vertex equations corresponding

to $\Sigma^{IJ,KL}(\pm\infty, \pm\infty, \theta, \mathfrak{A}_2)$ and $\Sigma^{IJ,KL}(\pm\infty, \mp\infty, \theta, \mathfrak{A}_2)$, (that re-expresses (3.35)) as

$$ig_{\mathfrak{A}_2}^{a\bar{b}} \left(\frac{i\zeta}{2} \frac{\partial \mathcal{W}_2}{\partial C^b} \right)^* = 0, \quad ig_{\mathfrak{A}_2}^{a\bar{b}} \left(\frac{i\zeta}{2} \frac{\partial \mathcal{W}_2}{\partial \mathcal{A}^b} \right)^* = 0. \quad (3.55)$$

Recall from the end of §3.2 that we are only considering certain M_2 and G such that (the end-points $\Gamma^{**}(\pm\infty, \theta, \mathfrak{A}_2)$ and thus) the LG \mathfrak{A}_2^θ -solitons, and effectively, (the vertices $\Sigma^{IJ,KL}(\pm\infty, \pm\infty, \theta, \mathfrak{A}_2)$, $\Sigma^{IJ,KL}(\pm\infty, \mp\infty, \theta, \mathfrak{A}_2)$ and thus) the LG \mathfrak{A}_2^θ -sheets, are isolated and non-degenerate. Therefore, from their definition in (3.55) which tells us that they correspond to critical points of $\mathcal{W}_2(\mathcal{A}, C)$, we conclude that $\mathcal{W}_2(\mathcal{A}, C)$ can be regarded as a holomorphic Morse function in \mathfrak{A}_2 .

LG \mathfrak{A}_2^θ -sheets Mapping to Quadrilaterals in the Complex \mathcal{W}_2 -plane

Just like in §3.4, the LG \mathfrak{A}_2^θ -solitons will map to straight line segments in the complex \mathcal{W}_2 -plane. Specifically, an LG \mathfrak{A}_2^θ -soliton defined in (3.54) maps to a straight line segment $[\mathcal{W}_2^I(\theta), \mathcal{W}_2^J(\theta)]$ in the complex \mathcal{W}_2 -plane that starts and ends at the critical values $\mathcal{W}_2^I(\theta) \equiv \mathcal{W}_2(\Gamma^I(-\infty, \theta, \mathfrak{A}_2))$ and $\mathcal{W}_2^J(\theta) \equiv \mathcal{W}_2(\Gamma^J(+\infty, \theta, \mathfrak{A}_2))$, respectively, where its slope depends on θ (via ζ).

Therefore, the LG \mathfrak{A}_2^θ -sheets, whose edges are LG \mathfrak{A}_2^θ -solitons, can be understood to map to quadrilaterals in the complex \mathcal{W}_2 -plane, whose edges are precisely the straight line segments that the LG \mathfrak{A}_2^θ -solitons map to. Specifically, an LG \mathfrak{A}_2^θ -sheet defined in (3.53) maps to a quadrilateral whose bottom-left, top-left, bottom-right, and top-right vertices ($\mathcal{W}_2^I(\theta), \mathcal{W}_2^J(\theta), \mathcal{W}_2^K(\theta), \mathcal{W}_2^L(\theta)$) are the critical points $\mathcal{W}_2^I(\theta) \equiv \mathcal{W}_2(\Sigma^I(-\infty, -\infty, \theta, \mathfrak{A}_2))$, $\mathcal{W}_2^J(\theta) \equiv \mathcal{W}_2(\Sigma^J(-\infty, +\infty, \theta, \mathfrak{A}_2))$, $\mathcal{W}_2^K(\theta) \equiv \mathcal{W}_2(\Sigma^K(+\infty, -\infty, \theta, \mathfrak{A}_2))$, and $\mathcal{W}_2^L(\theta) \equiv \mathcal{W}_2(\Sigma^L(+\infty, +\infty, \theta, \mathfrak{A}_2))$, respectively, where the slope of the straight line segments between each left-right vertex pair depends on θ (via ζ).

This fact will be useful shortly. We shall also assume that $\text{Re}(\mathcal{W}_2^I(\theta)) < \{\text{Re}(\mathcal{W}_2^J(\theta)), \text{Re}(\mathcal{W}_2^K(\theta))\} < \text{Re}(\mathcal{W}_2^L(\theta))$.

The 3d Gauged LG Model as an LG SQM

Last but not least, after suitable rescalings, we can recast (3.52) as a 1d LG SQM (that re-expresses (3.14)), where its action will be given by²³

$$S_{\text{3d-LG SQM}, \mathcal{M}(\mathbb{R}^2, \mathfrak{A}_2)} = \frac{1}{e^2} \int d\xi \left(\left| i \frac{dC^u}{d\xi} + ig_{\mathcal{M}(\mathbb{R}^2, \mathfrak{A}_2)}^{uv} \frac{\partial \mathfrak{F}_2}{\partial C^v} \right|^2 + \left| ie^{-i\theta} \frac{d\mathcal{A}^u}{d\xi} + ig_{\mathcal{M}(\mathbb{R}^2, \mathfrak{A}_2)}^{uv} \frac{\partial \mathfrak{F}_2}{\partial \mathcal{A}^v} \right|^2 + \dots \right). \quad (3.56)$$

Here, $\mathfrak{F}_2(\mathcal{A}, C)$ is the *real-valued* potential in $\mathcal{M}(\mathbb{R}^2, \mathfrak{A}_2)$, and the subscript “3d-LG SQM, $\mathcal{M}(\mathbb{R}^2, \mathfrak{A}_2)$ ” is to specify that it is a 1d SQM with target space $\mathcal{M}(\mathbb{R}^2, \mathfrak{A}_2)$ obtained from the equivalent 3d LG model. We will also refer to this 1d LG SQM as “3d-LG SQM” in the rest of this subsection, so as to distinguish it from the “2d-LG SQM” of §3.4.

The 3d-LG SQM will localize onto configurations that *simultaneously* set to zero the LHS and RHS of the expression within the squared terms in (3.56). In other words, it will localize onto ξ -invariant critical points of $\mathfrak{F}_2(\mathcal{A}, C)$ that will correspond to the LG \mathfrak{A}_2^θ -sheets defined by (3.53).

²³In the following expression, we have integrated out A_ξ and omitted the fields corresponding to the finite-energy gauge fields $A_{\{t, \tau\}}$ (as explained in footnote 13).

For our choice of M_2 and G , the LG \mathfrak{A}_2^θ -sheets, just like their vertices, will be isolated and non-degenerate. Thus, $\mathfrak{F}_2(\mathcal{A}, C)$ can be regarded as a *real-valued* Morse functional in $\mathcal{M}(\mathbb{R}^2, \mathfrak{A}_2)$.

Morphisms between \mathfrak{A}_2^θ -solitons as Intersection Floer Homology Classes

At this point, note that an LG \mathfrak{A}_2^θ -sheet in the 3d LG model defined by (3.53) (whose edges are LG \mathfrak{A}_2^θ -solitons) will correspond to an LG $\mathcal{M}^\theta(\mathbb{R}_t, \mathfrak{A}_2)$ -soliton in the 2d LG model defined by (3.40) (whose endpoints can be described by thimbles). This means that similar to the latter, an LG \mathfrak{A}_2^θ -sheet can also be described in terms of the intersection of thimble-intersections. To elucidate this, first, let us refer to a solution satisfying

$$\lim_{\tau \rightarrow -\infty} \Sigma_\pm(\tau, t, \theta, \mathfrak{A}_2) = \Gamma^{IJ}(t, \theta, \mathfrak{A}_2) \quad (3.57)$$

as a left thimble-intersection, and

$$\lim_{\tau \rightarrow +\infty} \Sigma_\pm(\tau, t, \theta, \mathfrak{A}_2) = \Gamma^{KL}(t, \theta, \mathfrak{A}_2) \quad (3.58)$$

as a right thimble-intersection. These correspond to LG \mathfrak{A}_2^θ -solitons, and they are, respectively, the left and right edges of an LG \mathfrak{A}_2^θ -sheet $\Sigma_\pm^{IJ, KL}(\tau, t, \theta, \mathfrak{A}_2)$.

Next, let us also refer to a solution satisfying (i)

$$\lim_{\substack{\tau \rightarrow -\infty \\ t \rightarrow -\infty}} \Sigma_\pm(\tau, t, \theta, \mathfrak{A}_2) = \Sigma^I(-\infty, -\infty, \theta, \mathfrak{A}_2) \quad (3.59)$$

as a bottom-left thimble, (ii)

$$\lim_{\substack{\tau \rightarrow -\infty \\ t \rightarrow +\infty}} \Sigma_\pm(\tau, t, \theta, \mathfrak{A}_2) = \Sigma^J(-\infty, +\infty, \theta, \mathfrak{A}_2) \quad (3.60)$$

as a top-left thimble, (iii)

$$\lim_{\substack{\tau \rightarrow +\infty \\ t \rightarrow -\infty}} \Sigma_\pm(\tau, t, \theta, \mathfrak{A}_2) = \Sigma^K(+\infty, -\infty, \theta, \mathfrak{A}_2) \quad (3.61)$$

as a bottom-right thimble, and (iv)

$$\lim_{\substack{\tau \rightarrow +\infty \\ t \rightarrow +\infty}} \Sigma_\pm(\tau, t, \theta, \mathfrak{A}_2) = \Sigma^L(+\infty, +\infty, \theta, \mathfrak{A}_2) \quad (3.62)$$

as a top-right thimble. It is clear that (3.59) and (3.60) correspond to the bottom and top endpoints of an LG \mathfrak{A}_2^θ -soliton solution $\Gamma^{IJ}(t, \theta, \mathfrak{A}_2)$, i.e., the bottom and top vertices of the left edge of an LG \mathfrak{A}_2^θ -sheet solution $\Sigma_\pm^{IJ, KL}(\tau, t, \theta, \mathfrak{A}_2)$. It is also clear that (3.61) and (3.62) correspond to the bottom and top endpoints of an LG \mathfrak{A}_2^θ -soliton solution $\Gamma^{KL}(t, \theta, \mathfrak{A}_2)$, i.e., the bottom and top vertices of the right edge of an LG \mathfrak{A}_2^θ -sheet solution $\Sigma_\pm^{IJ, KL}(\tau, t, \theta, \mathfrak{A}_2)$.

Notice that a (i) $\Gamma^{IJ}(t, \theta, \mathfrak{A}_2)$ -soliton or a (ii) $\Gamma^{KL}(t, \theta, \mathfrak{A}_2)$ -soliton must simultaneously be in a (i) bottom-left and top-left thimble or (ii) bottom-right and top-right thimble. They can thus be represented as a transversal intersection between their “bottom” and “top” thimbles in the

fiber space over the line segment (i) $[\mathcal{W}_2^I(\theta), \mathcal{W}_2^J(\theta)]$ or (ii) $[\mathcal{W}_2^K(\theta), \mathcal{W}_2^L(\theta)]$.²⁴ Denoting such intersections as (i) S_{BF}^{IJ} or (ii) S_{BF}^{KL} , each (i) $\Gamma^{IJ}(t, \theta, \mathfrak{A}_2)$ -soliton or (ii) $\Gamma^{KL}(t, \theta, \mathfrak{A}_2)$ -soliton, whose bottom and top endpoints correspond to (i) $\mathcal{E}_{\text{BF}}^I(\theta)$ and $\mathcal{E}_{\text{BF}}^J(\theta)$ or (ii) $\mathcal{E}_{\text{BF}}^K(\theta)$ and $\mathcal{E}_{\text{BF}}^L(\theta)$, will correspond to an intersection point (i) $q_{\text{BF}}^{IJ}(\theta) \in S_{\text{BF}}^{IJ}$ or (ii) $q_{\text{BF}}^{KL}(\theta) \in S_{\text{BF}}^{KL}$.

Moreover, from (3.57) and (3.58), it is clear that a $\Sigma_{\pm}^{IJ, KL}(\tau, t, \theta, \mathfrak{A}_2)$ -sheet must simultaneously be in a left thimble-intersection and right thimble-intersection. It can therefore be represented as a transversal intersection between its left and right thimble-intersection in the fiber space over the quadrilateral with vertices $(\mathcal{W}_2^I(\theta), \mathcal{W}_2^J(\theta), \mathcal{W}_2^K(\theta), \mathcal{W}_2^L(\theta))$. Each $\Sigma_{\pm}^{IJ, KL}(\tau, t, \theta, \mathfrak{A}_2)$ -sheet pair, whose left and right edges correspond to a $\Gamma^{IJ}(t, \theta, \mathfrak{A}_2)$ -soliton and a $\Gamma^{KL}(t, \theta, \mathfrak{A}_2)$ -soliton, respectively, will correspond to a pair of intersection points $\{q_{\text{BF}}^{IJ}(\theta), q_{\text{BF}}^{KL}(\theta)\}_{\pm} =: P_{\text{BF}, \pm}^{IJ, KL}(\theta) \in S_{\text{BF}}^{IJ}(\theta) \cap S_{\text{BF}}^{KL}(\theta)$.

At any rate, the 3d-LG SQM in $\mathcal{M}(\mathbb{R}^2, \mathfrak{A}_2)$ with action (3.56) will physically realize a Floer homology that we shall name an \mathfrak{A}_2 -LG Floer homology. The chains of the \mathfrak{A}_2 -LG Floer complex are generated by LG \mathfrak{A}_2^θ -sheets which we can thus identify with $P_{\text{BF}, \pm}^{*,*,*}(\theta)$, and the \mathfrak{A}_2 -LG Floer differential will be realized by the flow lines governed by the gradient flow equations satisfied by ξ -varying configurations which set the expression within the squared terms of (3.56) to zero. The partition function of the 3d-LG SQM in $\mathcal{M}(\mathbb{R}^2, \mathfrak{A}_2)$ will be given by²⁵

$$\mathcal{Z}_{\text{3d-LG SQM}, \mathcal{M}(\mathbb{R}^2, \mathfrak{A}_2)}(G) = \sum_{I \neq J \neq K \neq L = 1}^l \sum_{\substack{P_{\text{BF}, \pm}^{IJ, KL} \\ \in S_{\text{BF}}^{IJ} \cap S_{\text{BF}}^{KL}}} \text{HF}_{d_m}^G(P_{\text{BF}}^{IJ, KL}(\theta)), \quad (3.63)$$

where the contribution $\text{HF}_{d_m}^G(P_{\text{BF}}^{IJ, KL}(\theta))$ can be identified with a homology class in an \mathfrak{A}_2 -LG Floer homology generated by intersection points of thimble-intersections. These intersection points represent LG \mathfrak{A}_2^θ -sheets, whose edges correspond to LG \mathfrak{A}_2^θ -solitons, and whose vertices will correspond to θ -deformed $G_{\mathbb{C}}$ -BF configurations on M_2 . The degree of each chain in the complex is d_m , and is counted by the number of outgoing flow lines from the fixed critical points of $\mathfrak{F}_2(\mathcal{A}, C)$ in $\mathcal{M}(\mathbb{R}^2, \mathfrak{A}_2)$ which can also be identified as $P_{\text{BF}, \pm}^{IJ, KL}(\theta)$.

Therefore, $\mathcal{Z}_{\text{3d-LG SQM}, \mathcal{M}(\mathbb{R}^2, \mathfrak{A}_2)}(G)$ in (3.63) is a sum of LG \mathfrak{A}_2^θ -sheets defined by (i) (3.53) with (ii) edges (3.54) and (iii) vertices (3.55), or equivalently, $\Sigma_{\pm}^{IJ, KL}(\tau, t, \theta, \mathfrak{A}_2)$ -sheets defined by (i) (3.34) and (3.20) with (ii) edges (3.25) and (iii) vertices (3.26), respectively. In other words, we can write

$$\text{CF}_{\mathcal{M}(\mathbb{R}^2, \mathfrak{A}_2)}(\Gamma^{IJ}(t, \theta, \mathfrak{A}_2), \Gamma^{KL}(t, \theta, \mathfrak{A}_2))_{\pm} = \text{HF}_{d_m}^G(P_{\text{BF}, \pm}^{IJ, KL}(\theta)), \quad (3.64)$$

where $\text{CF}_{\mathcal{M}(\mathbb{R}^2, \mathfrak{A}_2)}(\Gamma^{IJ}(t, \theta, \mathfrak{A}_2), \Gamma^{KL}(t, \theta, \mathfrak{A}_2))_{\pm}$ is a vector representing a $\Sigma_{\pm}^{IJ, KL}(\tau, t, \theta, \mathfrak{A}_2)$ -sheet, whose left and right edges correspond to $\Gamma^{IJ}(t, \theta, \mathfrak{A}_2)$ and $\Gamma^{KL}(t, \theta, \mathfrak{A}_2)$, respectively, and whose bottom-left, top-left, bottom-right, and top-right vertices correspond to $\mathcal{E}_{\text{BF}}^I(\theta)$, $\mathcal{E}_{\text{BF}}^J(\theta)$, $\mathcal{E}_{\text{BF}}^K(\theta)$, and $\mathcal{E}_{\text{BF}}^L(\theta)$, respectively, such that $\text{Re}(\mathcal{W}_2^I(\theta)) < \{\text{Re}(\mathcal{W}_2^J(\theta)), \text{Re}(\mathcal{W}_2^K(\theta))\} < \text{Re}(\mathcal{W}_2^L(\theta))$.

Here, it is useful to note that a sheet can be regarded as a morphism between its edges, which in

²⁴Just like in footnote 18, this intersection is guaranteed at some θ , for which we can freely tune as the physical theory is symmetric under its variation.

²⁵The ‘ θ ’ label is omitted in the LHS of the following expression (as explained in footnote 19).

turn, can be regarded as a morphism between its endpoints. In other words, the $\Sigma_{\pm}^{IJ,KL}(\tau, t, \theta, \mathfrak{A}_2)$ -sheet can be regarded as a 1-morphism $\text{Hom}(\Gamma^{IJ}(t, \theta, \mathfrak{A}_2), \Gamma^{KL}(t, \theta, \mathfrak{A}_2))_{\pm}$, from its left edge to its right edge. In turn, the (i) $\Gamma^{IJ}(t, \theta, \mathfrak{A}_2)$ -soliton and (ii) $\Gamma^{KL}(t, \theta, \mathfrak{A}_2)$ -soliton can itself be regarded as a 1-morphism (i) $\text{Hom}(\mathcal{E}_{\text{BF}}^I(\theta), \mathcal{E}_{\text{BF}}^J(\theta))$ and (ii) $\text{Hom}(\mathcal{E}_{\text{BF}}^K(\theta), \mathcal{E}_{\text{BF}}^L(\theta))$, from its bottom to top endpoint. Thus, we have the following one-to-one identifications²⁶

$$\boxed{\text{Hom}(\Gamma^{IJ}(t, \mathfrak{A}_2), \Gamma^{KL}(t, \mathfrak{A}_2))_{\pm} \iff \text{Hom}(\text{Hom}(\mathcal{E}_{\text{BF}}^I, \mathcal{E}_{\text{BF}}^J), \text{Hom}(\mathcal{E}_{\text{BF}}^K, \mathcal{E}_{\text{BF}}^L))_{\pm} \iff \text{HF}_{d_m}^G(P_{\text{BF}, \pm}^{IJ, KL})} \quad (3.65)$$

where the RHS is proportional to the identity class when $I = K$ and $J = L$, and zero when (i) $I \leftrightarrow K$ and $J \leftrightarrow L$ (since the $\Sigma^{IJ,KL}(\tau, t, \theta, \mathfrak{A}_2)$ -sheet only moves in one direction from $\Gamma^{IJ}(t, \theta, \mathfrak{A}_2)$ to $\Gamma^{KL}(t, \theta, \mathfrak{A}_2)$ as depicted in Fig. 2), and (ii) $I \leftrightarrow J$ or $K \leftrightarrow L$ (since the $\Gamma^{**}(t, \theta, \mathfrak{A}_2)$ -solitons only move in one direction from $\mathcal{E}_{\text{BF}}^I(\theta)$ to $\mathcal{E}_{\text{BF}}^J(\theta)$ or $\mathcal{E}_{\text{BF}}^K(\theta)$ to $\mathcal{E}_{\text{BF}}^L(\theta)$, as depicted in Fig. 2).

Soliton Membrane Theory from the 3d LG Model

Just like the 3d gauged sigma model, the equivalent 3d gauged LG model with define an open membrane theory in \mathfrak{A}_2 with effective worldvolumes and boundaries shown in Fig. 3, where ξ is the temporal direction and (τ, t) are the spatial directions.

The dynamics of this open membrane theory in \mathfrak{A}_2 will be governed by the BPS worldvolume equations of (3.51), where (\mathcal{A}^a, C^a) are scalars on the worldvolume corresponding to the holomorphic coordinates of \mathfrak{A}_2 . At an arbitrary instant in time whence $d_{\xi}\mathcal{A}^a = d_{\xi}C^a = 0 = d_{\xi}A_{\{t, \tau\}}$ in (3.51), the dynamics of (\mathcal{A}^a, C^a) and the 3d gauge fields (A_t, A_{τ}, A_{ξ}) along (τ, t) will be governed by the membrane equations

$$\begin{aligned} j \frac{dC^a}{d\tau} + k \frac{dC^a}{dt} + j \frac{dA_{\xi}}{dt} - k \frac{dA_{\xi}}{d\tau} + i \frac{dA_t}{d\tau} - i \frac{dA_{\tau}}{dt} &= -[iA_{\xi} + jA_{\tau} + kA_t, C^a] - [jA_t - kA_{\tau}, A_{\xi}] \\ &\quad - i[A_{\tau}, A_t] + ig_{\mathfrak{A}_2}^{a\bar{b}} \left(\frac{i\zeta}{2} \frac{\partial \mathcal{W}_2}{\partial C^b} \right)^*, \\ j \frac{d\mathcal{A}^a}{d\tau} + k \frac{d\mathcal{A}^a}{dt} &= -[ie^{-i\theta} A_{\xi} + jA_{\tau} + kA_t, \mathcal{A}^a] - ig_{\mathfrak{A}_2}^{a\bar{b}} \left(\frac{i\zeta}{2} \frac{\partial \mathcal{W}_2}{\partial \mathcal{A}^b} \right)^*. \end{aligned} \quad (3.66)$$

Notice that by introducing a complex worldvolume coordinate $z = \tau + it$, (3.66) can instead be interpreted as soliton equations in z . However, since z is two-dimensional, a more apt description of the equations would be that they are 2d soliton *membrane* equations.

Hence, just as how our 2d gauged LG model in §3.4, whose corresponding dynamics of the worldsheet scalars along the spatial τ -direction are governed by 1d soliton equations, can be interpreted as a *soliton string* theory, we can interpret our 3d gauged LG model as a *soliton membrane* theory.

The Normalized HW Partition Function, Soliton Membrane Scattering, and Maps of an A_{∞} -structure

Just like in §3.4, the normalized HW partition function will once again be a sum over the free-

²⁶The ‘ θ ’ label is omitted in the following expression (as explained in footnote 20).

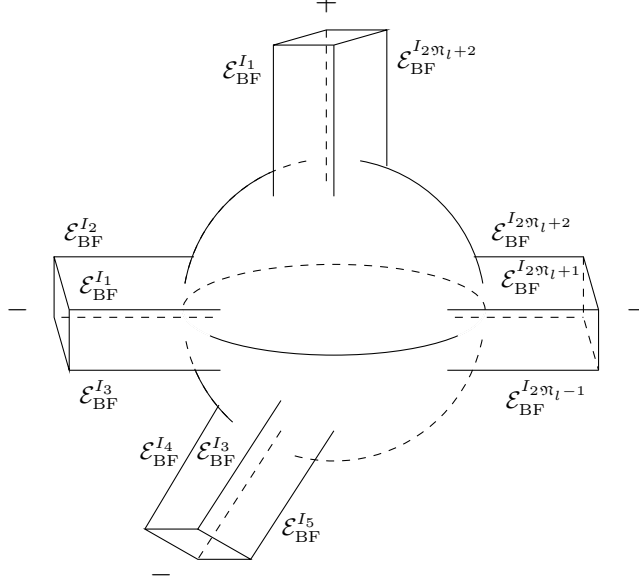


Figure 5: Tree-level scattering BPS worldvolume of incoming (-) and outgoing (+) LG soliton \mathfrak{A}_2^θ -membranes.

field correlation functions of operators that are in the \mathcal{Q} -cohomology. From the equivalent 3d-LG SQM and the 3d gauged LG model perspective, the \mathcal{Q} -cohomology will be spanned by the LG \mathfrak{A}_2^θ -sheets defined by (3.53). In turn, this means that the normalized HW partition function can also be regarded as a sum over tree-level scattering amplitudes of these LG soliton membranes. The BPS worldvolume underlying such a tree-level scattering amplitude is shown in Fig. 5.

In other words, we can express the normalized HW partition function as

$$\tilde{\mathcal{Z}}_{\text{HW}, M_2 \times \mathbb{R}^3}(G) = \sum_{\mathfrak{N}_l} \Pi_{\mathfrak{A}_2}^{\mathfrak{N}_l}, \quad \mathfrak{N}_l = \begin{cases} 1, 2, \dots, \frac{l-2}{2}, & l \text{ even} \\ 1, 2, \dots, \frac{l-3}{2}, & l \text{ odd} \end{cases} \quad (3.67)$$

where each

$$\Pi_{\mathfrak{A}_2}^{\mathfrak{N}_l} : \bigotimes_{i=1}^{\mathfrak{N}_l} \text{Hom} \left(\text{Hom} \left(\mathcal{E}_{\text{BF}}^{I_{2i-1}}, \mathcal{E}_{\text{BF}}^{I_{2i}} \right), \text{Hom} \left(\mathcal{E}_{\text{BF}}^{I_{2(i+1)-1}}, \mathcal{E}_{\text{BF}}^{I_{2(i+1)}} \right) \right)_- \rightarrow \text{Hom} \left(\text{Hom} \left(\mathcal{E}_{\text{BF}}^{I_1}, \mathcal{E}_{\text{BF}}^{I_2} \right), \text{Hom} \left(\mathcal{E}_{\text{BF}}^{I_{2\mathfrak{N}_l+1}}, \mathcal{E}_{\text{BF}}^{I_{2\mathfrak{N}_l+2}} \right) \right)_+ \quad (3.68)$$

is a scattering amplitude of \mathfrak{N}_l incoming LG soliton \mathfrak{A}_2^θ -membranes $\text{Hom} \left(\text{Hom} \left(\mathcal{E}_{\text{BF}}^{I_1}, \mathcal{E}_{\text{BF}}^{I_2} \right), \text{Hom} \left(\mathcal{E}_{\text{BF}}^{I_3}, \mathcal{E}_{\text{BF}}^{I_4} \right) \right)_-$, \dots , $\text{Hom} \left(\text{Hom} \left(\mathcal{E}_{\text{BF}}^{I_{2\mathfrak{N}_l-1}}, \mathcal{E}_{\text{BF}}^{I_{2\mathfrak{N}_l}} \right), \text{Hom} \left(\mathcal{E}_{\text{BF}}^{I_{2\mathfrak{N}_l+1}}, \mathcal{E}_{\text{BF}}^{I_{2\mathfrak{N}_l+2}} \right) \right)_-$, and a single outgoing LG soliton \mathfrak{A}_2^θ -membrane $\text{Hom} \left(\text{Hom} \left(\mathcal{E}_{\text{BF}}^{I_1}, \mathcal{E}_{\text{BF}}^{I_2} \right), \text{Hom} \left(\mathcal{E}_{\text{BF}}^{I_{2\mathfrak{N}_l+1}}, \mathcal{E}_{\text{BF}}^{I_{2\mathfrak{N}_l+2}} \right) \right)_+$, with vertices as labeled, whose underlying worldvolume as shown in Fig. 5 will correspond to, in the 2d gauged LG model, the worldsheet as shown in Fig. 4.

Notice that the $\Pi_{\mathfrak{A}_2}^{\mathfrak{N}_l}$ maps in (3.68) which involve 2-morphisms, like the $\mu_{\mathfrak{A}_2}^{\mathfrak{N}_l}$ maps in (3.50) of the 2d gauged LG model, can also be regarded as composition maps defining an A_∞ -structure – in particular, that of a 2-category whose l objects $\{\mathcal{E}_{\text{BF}}^1, \mathcal{E}_{\text{BF}}^2, \dots, \mathcal{E}_{\text{BF}}^l\}$ correspond to (θ -deformed)

$G_{\mathbb{C}}$ -BF configurations on M_2 .

A Fueter type A_{∞} -2-category 2-categorifying the 3d-HW Floer Homology of M_2

As $G_{\mathbb{C}}$ -BF configurations on M_2 are known to generate the 3d-HW Floer homology of M_2 which is itself a 0-category, this 2-category is a 2-categorification of the said Floer homology.

Since this 2-category is determined by the gauged Fueter equation in (3.51), we shall name it a Fueter type 2-category.

Altogether, this means that the normalized partition function of HW theory on $M_5 = M_2 \times \mathbb{R}^3$, as expressed in (3.67), manifests a *novel* Fueter type A_{∞} -2-category, defined by the maps (3.68) and the identifications (3.65), which 2-categorifies the 3d-HW Floer homology of M_2 !

An Equivalence Between a Fueter type A_{∞} -2-category and an FS type A_{∞} -category

Recall from §3.4 that the normalized partition function of HW theory on $M_5 = M_2 \times \mathbb{R}^3$ also manifests the FS type A_{∞} -category of \mathfrak{A}_2^{θ} -solitons. This means that we have a *novel* equivalence between the Fueter type A_{∞} -2-category 2-categorifying the 3d-HW Floer homology of M_2 and the FS type A_{∞} -category of \mathfrak{A}_2^{θ} -solitons!

4 A Fueter type A_{∞} -2-category of Five-Manifolds

In this section, we will study $\text{Spin}(7)$ theory on $\text{Spin}(7) = M_5 \times \mathbb{R}^3$, where $M_5 = CY_2 \times S^1$ with CY_2 being a closed and compact Calabi-Yau twofold. We will recast it as a 3d gauged LG model on \mathbb{R}^3 , a 2d gauged LG model on \mathbb{R}^2 , or a 1d LG SQM. Following the approach in [1, §9], we will, via the 8d $\text{Spin}(7)$ partition function and its equivalent 2d gauged LG model, be able to physically realize a novel FS type A_{∞} -category of solitons whose endpoints correspond to HW configurations on $CY_2 \times S^1$ that generate a holomorphic Donaldson-Thomas (DT) Floer homology. Similarly, via the 8d $\text{Spin}(7)$ partition function and its equivalent 3d gauged LG model, we will be able to also physically realize a novel Fueter type A_{∞} -2-category that 2-categorifies the holomorphic DT Floer homology of $CY_2 \times S^1$.

4.1 $\text{Spin}(7)$ Theory on $CY_2 \times S^1 \times \mathbb{R}^3$ as a 3d Model on \mathbb{R}^3 , 2d Model on \mathbb{R}^2 , or 1d SQM

Recall from §2.2 that our $\text{Spin}(7)$ theory is defined on a $\text{Spin}(7)$ -manifold. Let us specialize to the case where it is actually a product manifold containing an \mathbb{R}^3 submanifold within. One such possibility is $\text{Spin}(7) = CY_2 \times S^1 \times \mathbb{R}^3$ [1, 12]. We will consider this case, and study $\text{Spin}(7)$ theory on $\text{Spin}(7) = CY_2 \times S^1 \times \mathbb{R}^3$.

Spin(7) Theory on $CY_2 \times S^1 \times \mathbb{R}^3$

Relabelling (x^0, x^1, x^2, x^3) as (t, τ, ξ, y) for future convenience, note that we can express (2.7)

as

$$S_{\text{Spin}(7), CY_2 \times S^1 \times \mathbb{R}^3} = \frac{1}{e^2} \int_{CY_2 \times S^1 \times \mathbb{R}^3} dt d\tau d\xi dy d^4x \text{Tr} \left(|F_{t\alpha}^+|^2 + |F_{\tau\alpha}^+|^2 + |F_{\xi\alpha}^+|^2 + |F_{y\alpha}^+|^2 \right. \\ \left. + |F_{\alpha\beta}^+|^2 + |F_{t\tau}^+|^2 + |F_{t\xi}^+|^2 + |F_{ty}^+|^2 \right. \\ \left. + |F_{\tau\xi}^+|^2 + |F_{\tau y}^+|^2 + |F_{\xi y}^+|^2 + \dots \right), \quad (4.1)$$

where x^α for $\alpha \in \{4, \dots, 7\}$ are the coordinates of CY_2 , and the “...” contains the fermion terms in (2.7). Self-duality of the F^+ 's mean that we have several equalities amongst the terms in (4.1), e.g., $|F_{t\tau}^+|^2 = |F_{\xi y}^+|^2 = |F_{45}^+|^2 = |F_{67}^+|^2$, and that it can be written more compactly as

$$S_{\text{Spin}(7), CY_2 \times S^1 \times \mathbb{R}^3} = \frac{4}{e^2} \int_{CY_2 \times S^1 \times \mathbb{R}^3} dt d\tau d\xi dy d^4x \text{Tr} \left(|F_{\xi\alpha}^+|^2 + |F_{\xi t}^+|^2 + |F_{\xi\tau}^+|^2 + |F_{\xi y}^+|^2 + \dots \right). \quad (4.2)$$

The conditions (on the zero-modes of) the bosons that minimize the action (4.2), i.e., the BPS equations (obeyed by the zero-modes) of Spin(7) theory on $CY_2 \times S^1 \times \mathbb{R}^3$, are easily identified by setting to zero the expression within the squared terms therein. Exploiting the fact that CY_2 is hyperkähler which thus has three complex structures satisfying the quaternionic relations, the BPS equations work out to be

$$D_\xi C + F_{t\tau} - \partial_y A_\xi = i\omega^{\kappa\bar{\kappa}} \mathcal{F}_{\kappa\bar{\kappa}}, \\ D_\tau C - iD_t C - \partial_y A_\tau + i\partial_y A_t + i(F_{\xi\tau} - iF_{\xi t}) = -\frac{i}{2} \varepsilon^{\kappa\lambda} \mathcal{F}_{\kappa\lambda}, \\ D_\xi \mathcal{A}_\kappa - kD_\tau \mathcal{A}_\kappa + jD_t \mathcal{A}_\kappa - \partial_\kappa (A_\xi - kA_\tau + jA_t) = i(\partial_y \mathcal{A}_\kappa - \mathcal{D}_\kappa C), \quad (4.3)$$

where (i) (i, j, k) are the imaginary numbers with respect to the three complex structures (I, J, K) of CY_2 ; (ii) (κ, λ) and $(\bar{\kappa}, \bar{\lambda})$ are the holomorphic and anti-holomorphic coordinates of CY_2 (w.r.t. I); (iii) $\mathcal{A}_\kappa \in \Omega^{(1,0)}(CY_2, \text{ad}(G)) \otimes \Omega^0(S^1 \times \mathbb{R}^3, \text{ad}(G))$ is a holomorphic gauge connection on CY_2 (w.r.t. I), with $\mathcal{F}_{\kappa\bar{\kappa}} \in \Omega^{(1,1)}(CY_2, \text{ad}(G)) \otimes \Omega^0(S^1 \times \mathbb{R}^3, \text{ad}(G))$ and $\mathcal{F}_{\kappa\lambda} \in \Omega^{(2,0)}(CY_2, \text{ad}(G)) \otimes \Omega^0(S^1 \times \mathbb{R}^3, \text{ad}(G))$ its $(1, 1)$ and $(2, 0)$ -form field strengths, and \mathcal{D}_κ its covariant derivative; (iv) $C = A_y \in \Omega^0(CY_2 \times \mathbb{R}^3, \text{ad}(G)) \otimes \Omega^1(S^1, \text{ad}(G))$ is the gauge connection on S^1 ; and (v) $(\omega_{\kappa\bar{\kappa}}, \varepsilon_{\kappa\lambda})$ are the Kähler two-form and totally anti-symmetric rank two tensor of CY_2 (w.r.t. I).

Next, note that we are physically free to rotate the (τ, t) -subplane of \mathbb{R}^3 about the origin by an angle θ , whence (4.3) become

$$D_\xi C + F_{t\tau} - \partial_y A_\xi = i\omega^{\kappa\bar{\kappa}} \mathcal{F}_{\kappa\bar{\kappa}}, \\ D_\tau C - iD_t C - \partial_y A_\tau + i\partial_y A_t + i(F_{\xi\tau} - iF_{\xi t}) = -\frac{ie^{-i\theta}}{2} \varepsilon^{\kappa\lambda} \mathcal{F}_{\kappa\lambda}, \\ D_\xi \mathcal{A}_\kappa - k_\theta D_\tau \mathcal{A}_\kappa + j_\theta D_t \mathcal{A}_\kappa - \partial_\kappa (A_\xi - k_\theta A_\tau + j_\theta A_t) = i(\partial_y \mathcal{A}_\kappa - \mathcal{D}_\kappa C). \quad (4.4)$$

This allows us to write the action for Spin(7) theory on $CY_2 \times S^1 \times \mathbb{R}^3$ as

$$S_{\text{Spin}(7), CY_2 \times S^1 \times \mathbb{R}^3} = \frac{4}{e^2} \int_{\mathbb{R}^3} dt d\tau d\xi \int_{CY_2 \times S^1} dy |dz|^2 \text{Tr} \left(|D_\xi C + F_{t\tau} + p|^2 + |D_\tau C - iD_t C + i(F_{\xi\tau} - iF_{\xi t}) + q|^2 + |D_\xi \mathcal{A}_\kappa - k_\theta D_\tau \mathcal{A}_\kappa + j_\theta D_t \mathcal{A}_\kappa + r_\kappa|^2 + \dots \right), \quad (4.5)$$

where

$$\begin{aligned} p &= -\partial_y A_\xi - i\omega^{\kappa\bar{\kappa}} \mathcal{F}_{\kappa\bar{\kappa}}, \\ q &= -\partial_y A_\tau + i\partial_y A_t + \frac{ie^{-i\theta}}{2} \varepsilon^{\kappa\lambda} \mathcal{F}_{\kappa\lambda}, \\ r_\kappa &= -\partial_\kappa (A_\xi - k_\theta A_\tau + j_\theta A_t) - i(\partial_y \mathcal{A}_\kappa - \mathcal{D}_\kappa C). \end{aligned} \quad (4.6)$$

Spin(7) Theory as a 3d Model

After suitable rescalings, we can recast (4.5) as a 3d model on \mathbb{R}^3 , where its action now reads²⁷

$$\begin{aligned} S_{3d, \mathfrak{A}_5} &= \frac{1}{e^2} \int_{\mathbb{R}^3} dt d\tau d\xi \left(|D_\xi C^{\hat{a}} + F_{t\tau}|^2 + |D_\tau C^{\hat{a}} - iD_t C^{\hat{a}} + i(F_{\xi\tau} - iF_{\xi t}) + q^{\hat{a}}|^2 + |D_\xi \mathcal{A}^{\hat{a}} - k_\theta D_\tau \mathcal{A}^{\hat{a}} + j_\theta D_t \mathcal{A}^{\hat{a}} + r^{\hat{a}}|^2 + \dots \right), \\ &= \frac{1}{e^2} \int_{\mathbb{R}_\tau \times \mathbb{R}_\xi} d\tau d\xi \int_{\mathbb{R}_t} dt \left(|D_\xi C^{\hat{a}} - D_\tau A_t + P + p^{\hat{a}}|^2 + |D_\tau C^{\hat{a}} + iF_{\xi\tau} + D_\xi A_t + Q^{\hat{a}} + q^{\hat{a}}|^2 + |D_\xi \mathcal{A}^{\hat{a}} - k_\theta D_\tau \mathcal{A}^{\hat{a}} + R^{\hat{a}} + r^{\hat{a}}|^2 + \dots \right). \end{aligned} \quad (4.7)$$

Here, $(\mathcal{A}^{\hat{a}}, C^{\hat{a}})$ and \hat{a} are coordinates and indices on the space \mathfrak{A}_5 of irreducible (\mathcal{A}_κ, C) fields on $CY_2 \times S^1$, and

$$P = \partial_t A_\tau, \quad Q^{\hat{a}} = -iD_t C^{\hat{a}} - \partial_t A_\xi, \quad R^{\hat{a}} = j_\theta D_t \mathcal{A}^{\hat{a}}, \quad (4.8)$$

with $(q^{\hat{a}}, r^{\hat{a}})$ corresponding to (q, r_κ) in (4.6).

In other words, Spin(7) theory on $CY_2 \times S^1 \times \mathbb{R}^3$ can be regarded as a 3d gauged sigma model along the (t, τ, ξ) -directions with target space \mathfrak{A}_5 and action (4.7).

Spin(7) Theory as a 2d Model

From (4.7), one can see that we can, after suitable rescalings, also recast the 3d model action

²⁷Just like in footnote 11, to arrive at the following expression, we have (i) employed Stokes' theorem and the fact that $CY_2 \times S^1$ has no boundary to omit terms with $\partial_{\{\kappa, y\}} A_{\{t, \tau, \xi\}}$ as they will vanish when integrated over $CY_2 \times S^1$, and (ii) integrated out the scalar field $\mathfrak{h}_5(p) = i\omega^{\hat{a}\hat{a}} \mathcal{F}_{\hat{a}\hat{a}}$ corresponding to the scalar p , whose contribution to the action is $|\mathfrak{h}_5(p)|^2$.

as an equivalent 2d model action²⁸

$$S_{2d, \mathcal{M}(\mathbb{R}_t, \mathfrak{A}_5)} = \frac{1}{e^2} \int_{\mathbb{R}^2} d\tau d\xi \left(|D_\xi C^{\hat{m}} - D_\tau(\tilde{A}_t)^{\hat{m}}|^2 + |D_\tau C^{\hat{m}} + iF_{\xi\tau} + D_\xi(\tilde{A}_t)^{\hat{m}} + Q^{\hat{m}} + q^{\hat{m}}|^2 + |D_\xi \mathcal{A}^{\hat{m}} - k_\theta D_\tau \mathcal{A}^{\hat{m}} + R^{\hat{m}} + r^{\hat{m}}|^2 + \dots \right). \quad (4.9)$$

Here, $(\mathcal{A}^{\hat{m}}, C^{\hat{m}}, (\tilde{A}_t)^{\hat{m}})$ and \hat{m} are coordinates and indices on the path space $\mathcal{M}(\mathbb{R}_t, \mathfrak{A}_5)$ of smooth paths from \mathbb{R}_t to \mathfrak{A}_5 , with

$$Q^{\hat{m}} = -i(\tilde{D}_t C)^{\hat{m}}, \quad R^{\hat{m}} = j_\theta(\tilde{D}_t \mathcal{A})^{\hat{m}}, \quad (4.10)$$

corresponding to $(Q^{\hat{a}}, R^{\hat{a}})$ in (4.8), $(q^{\hat{m}}, r^{\hat{m}})$ corresponding to $(q^{\hat{a}}, r^{\hat{a}})$, and $(\tilde{A}_t, \tilde{D}_t)$ corresponding to (A_t, D_t) , in the underlying 3d model.

In other words, Spin(7) theory on $CY_2 \times S^1 \times \mathbb{R}^3$ can also be regarded as a 2d gauged sigma model along the (τ, ξ) -directions with target space $\mathcal{M}(\mathbb{R}_t, \mathfrak{A}_5)$ and action (4.9).

Spin(7) Theory as a 1d SQM

Singling out ξ as the direction in “time”, the equivalent SQM action can be obtained from (4.9) after suitable rescalings as²⁹

$$S_{\text{SQM}, \mathcal{M}(\mathbb{R}_\tau, \mathcal{M}(\mathbb{R}_t, \mathfrak{A}_5))} = \frac{1}{e^2} \int d\xi \left(\left| \partial_\xi C^{\hat{u}} + g_{\mathcal{M}(\mathbb{R}_\tau, \mathcal{M}(\mathbb{R}_t, \mathfrak{A}_5))}^{\hat{u}\hat{v}} \frac{\partial h_5}{\partial C^{\hat{v}}} \right|^2 + \left| \partial_\xi \check{A}^{\hat{u}} + g_{\mathcal{M}(\mathbb{R}_\tau, \mathcal{M}(\mathbb{R}_t, \mathfrak{A}_5))}^{\hat{u}\hat{v}} \frac{\partial h_5}{\partial \check{A}^{\hat{v}}} \right|^2 + \left| \partial_\xi \mathcal{A}^{\hat{u}} + g_{\mathcal{M}(\mathbb{R}_\tau, \mathcal{M}(\mathbb{R}_t, \mathfrak{A}_5))}^{\hat{u}\hat{v}} \frac{\partial h_5}{\partial \mathcal{A}^{\hat{v}}} \right|^2 + \dots \right), \quad (4.11)$$

where $(\mathcal{A}^{\hat{u}}, C^{\hat{u}}, \check{A}^{\hat{u}})$ and (\hat{u}, \hat{v}) are coordinates on the path space $\mathcal{M}(\mathbb{R}_\tau, \mathcal{M}(\mathbb{R}_t, \mathfrak{A}_5))$ of smooth maps from \mathbb{R}_τ to $\mathcal{M}(\mathbb{R}_t, \mathfrak{A}_5)$ with $\check{A}^{\hat{u}} := (\check{A}_t + i\check{A}_\tau)^{\hat{u}}$ in $\mathcal{M}(\mathbb{R}_\tau, \mathcal{M}(\mathbb{R}_t, \mathfrak{A}_5))$ corresponding to $A_t + iA_\tau$ in the underlying 3d model; $g_{\mathcal{M}(\mathbb{R}_\tau, \mathcal{M}(\mathbb{R}_t, \mathfrak{A}_5))}^{\hat{u}\hat{v}}$ is the metric of $\mathcal{M}(\mathbb{R}_\tau, \mathcal{M}(\mathbb{R}_t, \mathfrak{A}_5))$; and $h_5(\mathcal{A}, C, \check{A})$ is the SQM potential function. Note that we can also interpret $\mathcal{M}(\mathbb{R}_\tau, \mathcal{M}(\mathbb{R}_t, \mathfrak{A}_5))$ as the double path space $\mathcal{M}(\mathbb{R}^2, \mathfrak{A}_5)$ of smooth maps from \mathbb{R}^2 to \mathfrak{A}_5 .

In short, Spin(7) theory on $CY_2 \times S^1 \times \mathbb{R}^3$ can also be regarded as a 1d SQM along the ξ -direction in $\mathcal{M}(\mathbb{R}^2, \mathfrak{A}_5)$ whose action is (4.11).

4.2 Non-constant Paths, Solitons, Sheets, and the Holomorphic DT Floer Homology of CY_2

By following the same analysis in §3.2, we find that the equivalent 1d SQM of Spin(7) theory on $CY_2 \times S^1 \times \mathbb{R}^3$ will localize onto ξ -invariant, θ -deformed, non-constant double paths in

²⁸Just like in footnote 12, to arrive at the following expression, we have employed Stokes’ theorem and the fact that the finite-energy gauge fields $A_{\{t, \tau, \xi\}}$ would vanish at $t \rightarrow \pm\infty$.

²⁹In the resulting SQM, we have integrated out A_ξ and omitted the terms containing the fields corresponding to $A_{\{t, \tau\}}$ (as explained in footnote 13).

$\mathcal{M}(\mathbb{R}_\tau, \mathcal{M}(\mathbb{R}_t, \mathfrak{A}_5))$ which will correspond, in the 2d gauged sigma model with target space \mathfrak{A}_5 , to ξ -invariant, θ -deformed solitons along the τ -direction that we shall refer to as $\mathcal{M}^\theta(\mathbb{R}_t, \mathfrak{A}_5)$ -solitons.

$\mathcal{M}^\theta(\mathbb{R}_t, \mathfrak{A}_5)$ -solitons in the 2d Gauged Model

Specifically, such $\mathcal{M}^\theta(\mathbb{R}_t, \mathfrak{A}_5)$ -solitons are defined by

$$\begin{aligned} \partial_\tau(\tilde{A}_t)^{\hat{m}} &= -[A_\tau, (\tilde{A}_t)^{\hat{m}}] + [A_\xi, C^{\hat{m}}], \\ \partial_\tau C^{\hat{m}} - i\partial_\tau A_\xi &= -[A_\tau, C^{\hat{m}} - iA_\xi] + i(\tilde{D}_t C)^{\hat{m}} + [(\tilde{A}_t)^{\hat{m}}, A_\xi] - q^{\hat{m}}, \\ k_\theta \partial_\tau \mathcal{A}^{\hat{m}} &= [A_\xi - k_\theta A_\tau, \mathcal{A}^{\hat{m}}] + j_\theta (\tilde{D}_t \mathcal{A})^{\hat{m}} + r^{\hat{m}}. \end{aligned} \quad (4.12)$$

\mathfrak{A}_5^θ -sheets in the 3d Gauged Model

In turn, they will correspond, in the 3d gauged sigma model with target \mathfrak{A}_5 , to ξ -invariant, θ -deformed sheets along the (τ, t) -directions that are defined by

$$\begin{aligned} \partial_\tau A_t - \partial_t A_\tau &= -[A_\tau, A_t] + [A_\xi, C^{\hat{a}}], \\ \partial_\tau C^{\hat{a}} - i\partial_t C^{\hat{a}} - i\partial_\tau A_\xi - \partial_t A_\xi &= -[A_\tau - iA_t, C^{\hat{a}} - iA_\xi] - q^{\hat{a}}, \\ k_\theta \partial_\tau \mathcal{A}^{\hat{a}} - j_\theta \partial_t \mathcal{A}^{\hat{a}} &= [A_\xi - k_\theta A_\tau + j_\theta A_t, \mathcal{A}^{\hat{a}}] + r^{\hat{a}}, \end{aligned} \quad (4.13)$$

and the condition

$$\mathfrak{h}_5(p) = 0, \quad (4.14)$$

where $\mathfrak{h}_5(p)$ is the auxiliary scalar field defined in footnote 27. We shall refer to such sheets defined by (4.13) and (4.14) as \mathfrak{A}_5^θ -sheets.

ξ -independent, θ -deformed Spin(7) Configurations in Spin(7) Theory

In turn, the 3d configurations defined by (4.13) and (4.14) will correspond, in Spin(7) theory, to ξ -independent, θ -deformed Spin(7) configurations on $CY_2 \times S^1 \times \mathbb{R}^3$ that are defined, via (4.6), by

$$\begin{aligned} \partial_\tau A_t - \partial_t A_\tau &= -[A_\tau, A_t] + [A_\xi, C] + \partial_y A_\xi, \\ \partial_\tau C - i\partial_t C - i\partial_\tau A_\xi - \partial_t A_\xi &= -[A_\tau - iA_t, C - iA_\xi] + \partial_y A_\tau - i\partial_y A_t - \frac{ie^{-i\theta}}{2} \varepsilon^{\kappa\lambda} \mathcal{F}_{\kappa\lambda}, \\ k_\theta \partial_\tau \mathcal{A}_\kappa - j_\theta \partial_t \mathcal{A}_\kappa &= -\mathcal{D}_\kappa(A_\xi - k_\theta A_\tau + j_\theta A_t) - i(\partial_y \mathcal{A}_\kappa - \mathcal{D}_\kappa C), \end{aligned} \quad (4.15)$$

and the condition

$$i\omega^{\kappa\bar{\kappa}} \mathcal{F}_{\kappa\bar{\kappa}} = 0. \quad (4.16)$$

Spin(7) Configurations, \mathfrak{A}_5^θ -sheets, $\mathcal{M}^\theta(\mathbb{R}_t, \mathfrak{A}_5)$ -solitons, and Non-constant Double Paths

In short, these ξ -independent, θ -deformed Spin(7) configurations on $CY_2 \times S^1 \times \mathbb{R}^3$ that are defined by (4.15) and (4.16), will correspond to the \mathfrak{A}_5^θ -sheets defined by (4.13) and (4.14), which, in turn, will correspond to the $\mathcal{M}^\theta(\mathbb{R}_t, \mathfrak{A}_5)$ -solitons defined by (4.12), which, in turn, will correspond

to the ξ -invariant, θ -deformed non-constant, double paths in $\mathcal{M}(\mathbb{R}^2, \mathfrak{A}_5)$ defined by setting both the LHS and RHS of the expression within the squared terms of (4.11) *simultaneously* to zero.

$\mathcal{M}^\theta(\mathbb{R}_t, \mathfrak{A}_5)$ -soliton Endpoints Corresponding to Non-constant Paths

Consider now the fixed endpoints of the $\mathcal{M}^\theta(\mathbb{R}_t, \mathfrak{A}_5)$ -solitons at $\tau = \pm\infty$, where we also expect the fields in the 2d gauged sigma model corresponding to the finite-energy 3d gauge fields A_ξ, A_τ, A_t to decay to zero. They are given by (4.12) with $\partial_\tau C^{\hat{m}} = 0 = \partial_\tau \mathcal{A}^{\hat{m}}$ and $A_\xi, A_\tau, (\tilde{A}_t)^{\hat{m}} \rightarrow 0$, i.e.,

$$i(\tilde{\partial}_t C)^{\hat{m}} = q^{\hat{m}}, \quad j_\theta(\tilde{\partial}_t \mathcal{A})^{\hat{m}} = -r^{\hat{m}}. \quad (4.17)$$

These are (ξ, τ) -invariant, θ -deformed, non-constant paths in $\mathcal{M}(\mathbb{R}_t, \mathfrak{A}_5)$.

\mathfrak{A}_5^θ -sheet Edges Corresponding to \mathfrak{A}_5^θ -solitons in the 3d Gauged Model

In turn, (4.17) will correspond, in the 3d gauged sigma model, to the fixed edges of the \mathfrak{A}_5^θ -sheets at $\tau = \pm\infty$, i.e., (ξ, τ) -invariant, θ -deformed solitons along the t -direction that are defined by

$$i\partial_t C^{\hat{a}} = q^{\hat{a}}, \quad j_\theta\partial_t \mathcal{A}^{\hat{a}} = -r^{\hat{a}}. \quad (4.18)$$

Notice that these equations can also be obtained from (4.13) with $\partial_\tau C^{\hat{a}} = 0 = \partial_\tau \mathcal{A}^{\hat{a}}$ and $A_\xi, A_\tau, A_t \rightarrow 0$. We shall henceforth refer to such solitons defined by (4.18) and (4.14) as \mathfrak{A}_5^θ -solitons.

\mathfrak{A}_5^θ -soliton Endpoints or \mathfrak{A}_5^θ -sheet Vertices Corresponding to θ -deformed HW Configurations on $CY_2 \times S^1$

Consider now (i) the fixed endpoints of the \mathfrak{A}_5^θ -solitons at $t = \pm\infty$, or equivalently (ii) the vertices of the \mathfrak{A}_5^θ -sheets at $\tau, t = \pm\infty$. They are given by (i) (4.18) and (4.14) with $\partial_t C^{\hat{a}} = 0 = \partial_t \mathcal{A}^{\hat{a}}$, or equivalently (ii) (4.13) and (4.14) with $\partial_{\{t, \tau\}} C^{\hat{a}} = 0 = \partial_{\{t, \tau\}} \mathcal{A}^{\hat{a}}$ and $A_\xi, A_\tau, A_t \rightarrow 0$. In turn, they will correspond, in Spin(7) theory, to (t, τ, ξ) -independent, θ -deformed configurations that obey (4.15) and (4.16) with $\partial_{\{t, \tau\}} C = 0 = \partial_{\{t, \tau\}} \mathcal{A}_\kappa$ and $A_t, A_\tau, A_\xi \rightarrow 0$, i.e.,

$$i\omega^{\kappa\bar{\kappa}} \mathcal{F}_{\kappa\bar{\kappa}} = 0, \quad ie^{-i\theta} \varepsilon^{\kappa\lambda} \mathcal{F}_{\kappa\lambda} = 0, \quad i(\partial_y \mathcal{A}_\kappa - \mathcal{D}_\kappa C) = 0. \quad (4.19)$$

At $\theta = 0$ or π , (4.19) can be written, in the real coordinates of CY_2 , as

$$F_{\alpha\beta}^+ = 0, \quad F_{y\alpha} = 0. \quad (4.20)$$

These are the HW equations on $CY_2 \times S^1$ with the self-dual two-form field being zero (i.e., (2.2) with $B = 0$ and $A_t = C$).³⁰ We shall, in the rest of this section, refer to configurations that span the space of solutions to these equations as HW configurations on $CY_2 \times S^1$. One thing to note at this point is that HW configurations on $CY_2 \times S^1$ are known to generate the holomorphic DT Floer homology of $CY_2 \times S^1$ [1, §5].

In other words, the (t, τ, ξ) -independent, θ -deformed Spin(7) configurations corresponding to

³⁰Recall from our definition of C below (4.3) that C is not a scalar – it is actually the gauge connection along the y -direction, i.e., A_y .

the endpoints of the \mathfrak{A}_5^θ -solitons (or equivalently, the vertices of the \mathfrak{A}_5^θ -sheets) are θ -deformed HW configurations on $CY_2 \times S^1$. We will also assume choices of CY_2 whereby such configurations are isolated and non-degenerate.³¹

Non-constant Double Paths, $\mathcal{M}^\theta(\mathbb{R}_t, \mathfrak{A}_5)$ -solitons, \mathfrak{A}_5^θ -solitons, and \mathfrak{A}_5^θ -sheets

In short, from the equivalent 1d SQM of Spin(7) theory on $CY_2 \times S^1 \times \mathbb{R}^3$, the theory localizes onto ξ -invariant, θ -deformed, non-constant double paths in $\mathcal{M}(\mathbb{R}^2, \mathfrak{A}_5)$, which, in turn, will correspond to $\mathcal{M}^\theta(\mathbb{R}_t, \mathfrak{A}_5)$ -solitons in the 2d gauged sigma model whose endpoints are (ξ, τ) -invariant, θ -deformed, non-constant paths in $\mathcal{M}(\mathbb{R}_t, \mathfrak{A}_5)$. In the 3d gauged sigma model, these $\mathcal{M}^\theta(\mathbb{R}_t, \mathfrak{A}_5)$ -solitons will correspond to \mathfrak{A}_5^θ -sheets, whose edges are \mathfrak{A}_5^θ -solitons, and whose vertices will correspond to θ -deformed HW configurations on $CY_2 \times S^1$ that generate the holomorphic DT Floer homology of $CY_2 \times S^1$.

4.3 The 2d Model and Open Strings, the 3d Model and Open Membranes

By following the same analysis in §3.3, we find that the 2d gauged sigma model with target space $\mathcal{M}(\mathbb{R}_t, \mathfrak{A}_5)$ whose action is (4.9), will define an open string theory in $\mathcal{M}(\mathbb{R}_t, \mathfrak{A}_5)$. Similarly, we find that the 3d gauged sigma model with target space \mathfrak{A}_5 whose action is (4.7), will define an open membrane theory in \mathfrak{A}_5 . We will now work out the details pertaining to the BPS worldsheets and BPS worldvolumes (including their boundaries) that are necessary to define this open string and open membrane theory, respectively.

BPS Worldsheets of the 2d Model

The BPS worldsheets of the 2d gauged sigma model with target $\mathcal{M}(\mathbb{R}_t, \mathfrak{A}_5)$ correspond to its classical trajectories. Specifically, these are defined by setting to zero the expression within the squared terms in (4.9), i.e.,

$$\begin{aligned} \frac{DC^{\hat{m}}}{D\xi} - \frac{D(\tilde{A}_t)^{\hat{m}}}{D\tau} &= 0, & \frac{D(\tilde{A}_t)^{\hat{m}}}{D\xi} + \frac{DC^{\hat{m}}}{D\tau} + iF_{\xi\tau} &= -Q^{\hat{m}} - q^{\hat{m}}, \\ \frac{DA^{\hat{m}}}{D\xi} - k_\theta \frac{DA^{\hat{m}}}{D\tau} &= -R^{\hat{m}} - r^{\hat{m}}. \end{aligned} \tag{4.21}$$

BPS Worldsheets with Boundaries Labeled by Non-constant Paths in $\mathcal{M}(\mathbb{R}_t, \mathfrak{A}_5)$

The boundaries of the BPS worldsheets are traced out by the endpoints of the $\mathcal{M}^\theta(\mathbb{R}_t, \mathfrak{A}_5)$ -solitons as they propagate in ξ . As we have seen at the end of §4.2, these endpoints correspond

³¹In [1, footnote 17], we (i) considered choices of CY_2 such that $CY_2 \times T^3$ satisfies appropriate transversality assumptions of G_2 instantons on $CY_2 \times T^3$ being acyclic (so that the actual dimension of its moduli space is zero [13, §3]), and (ii) added physically-inconsequential \mathcal{Q} -exact perturbations of the action, to ensure that HW configurations on $CY_2 \times S^1$ are isolated and non-degenerate at $\theta = 0$. Therefore, at $\theta = 0$, the endpoints of the \mathfrak{A}_5^θ -solitons will be isolated and non-degenerate. As the physical theory is symmetric under a variation of θ , this observation of the endpoints of the \mathfrak{A}_5^θ -solitons (or equivalently, the vertices of the \mathfrak{A}_5^θ -sheets) will continue to hold true for any value of θ . Hence, this presumption that the moduli space of θ -deformed HW configurations on $CY_2 \times S^1$ will be made of isolated and non-degenerate points, is justified. We would like to thank D. Joyce for discussions on this point.

to (ξ, τ) -invariant, θ -deformed, non-constant paths in $\mathcal{M}(\mathbb{R}_t, \mathfrak{A}_5)$ that we shall, at $\xi = \pm\infty$, denote as $\gamma_{\pm}(\theta, \mathfrak{A}_5)$. In turn, they will correspond, in the 3d gauged sigma model with target \mathfrak{A}_5 , to \mathfrak{A}_5^θ -solitons that we shall, at $\xi = \pm\infty$, denote as $\Gamma_{\pm}(t, \theta, \mathfrak{A}_5)$, whose endpoints will correspond to θ -deformed HW configurations on $CY_2 \times S^1$.

If there are ‘ m ’ such configurations $\{\mathcal{E}_{\text{HW}}^1(\theta), \mathcal{E}_{\text{HW}}^1(\theta), \dots, \mathcal{E}_{\text{HW}}^m(\theta)\}$, just as in §3.3, we can further specify any $\Gamma_{\pm}(t, \theta, \mathfrak{A}_5)$ as $\Gamma_{\pm}^{IJ}(t, \theta, \mathfrak{A}_5)$, where its endpoints would correspond to $\mathcal{E}_{\text{HW}}^I(\theta)$ and $\mathcal{E}_{\text{HW}}^J(\theta)$. Consequently, in the 2d gauged sigma model, we can further specify any $\gamma_{\pm}(\theta, \mathfrak{A}_5)$ as $\gamma_{\pm}^{IJ}(\theta, \mathfrak{A}_5)$, where the latter will correspond to a $\Gamma_{\pm}^{IJ}(t, \theta, \mathfrak{A}_5)$ \mathfrak{A}_5^θ -soliton in the equivalent 3d gauged sigma model.

Since the endpoints of an $\mathcal{M}^\theta(\mathbb{R}_t, \mathfrak{A}_5)$ -soliton are now denoted as $\gamma_{\pm}^{**}(\theta, \mathfrak{A}_5)$, we can also denote and specify the former at $\xi = \pm\infty$ as $\sigma_{\pm}^{IJ, KL}(\tau, \theta, \mathfrak{A}_5)$,³² where its left and right endpoints would be $\gamma_{\pm}^{IJ}(\theta, \mathfrak{A}_5)$ and $\gamma_{\pm}^{KL}(\theta, \mathfrak{A}_5)$, respectively.

As the $\gamma^{**}(\theta, \mathfrak{A}_5)$ ’s are ξ -invariant and therefore, have the same value for all ξ , we have BPS worldsheets of the kind similar to Fig. 1. This time, however, instead of the boundaries being $\gamma^{**}(\theta, \mathfrak{A}_2)$, we will have $\gamma^{**}(\theta, \mathfrak{A}_5)$. And, at $\xi = \pm\infty$, instead of the $\mathcal{M}^\theta(\mathbb{R}_t, \mathfrak{A}_2)$ -solitons $\sigma_{\pm}^{IJ, KL}(\tau, \theta, \mathfrak{A}_2)$, we will have $\mathcal{M}^\theta(\mathbb{R}_t, \mathfrak{A}_5)$ -solitons $\sigma_{\pm}^{IJ, KL}(\tau, \theta, \mathfrak{A}_5)$.

The 2d Model on \mathbb{R}^2 and an Open String Theory in $\mathcal{M}(\mathbb{R}_t, \mathfrak{A}_5)$

Thus, like in §3.3, one can understand the 2d gauged sigma model with target space $\mathcal{M}(\mathbb{R}_t, \mathfrak{A}_5)$ to define an open string theory in $\mathcal{M}(\mathbb{R}_t, \mathfrak{A}_5)$, whose *effective* worldsheet and boundaries are similar to Fig. 1, where ξ and τ are the temporal and spatial directions, respectively.

BPS Worldvolumes of the 3d Model

The BPS worldvolumes of the 3d gauged sigma model with target \mathfrak{A}_5 correspond to its classical trajectories. Specifically, these are defined by setting to zero the expression within the squared terms in (4.7), i.e.,

$$\begin{aligned} \frac{DC^{\hat{a}}}{D\xi} + F_{t\tau} &= 0, & \frac{DC^{\hat{a}}}{D\tau} - i\frac{DC^{\hat{a}}}{Dt} + i(F_{\xi\tau} - iF_{\xi t}) &= -q^{\hat{a}}, \\ 0 &= \mathfrak{h}_5(p), & \frac{DA^{\hat{a}}}{D\xi} - k_\theta\frac{DA^{\hat{a}}}{D\tau} + j_\theta\frac{DA^{\hat{a}}}{Dt} &= -r^{\hat{a}}. \end{aligned} \tag{4.22}$$

BPS Worldvolumes with Boundaries Labeled by \mathfrak{A}_5^θ -solitons, and Edges Labeled by HW Configurations on $CY_2 \times S^1$

The boundaries and edges of the BPS worldvolumes are traced out by the edges and vertices of the \mathfrak{A}_5^θ -sheets, respectively, as they propagate in ξ . As we have seen at the end of §4.2, these edges and vertices would correspond to \mathfrak{A}_5^θ -solitons and θ -deformed HW configurations on $CY_2 \times S^1$, respectively.

³²Just like in footnote 15, the ξ -invariant $\mathcal{M}^\theta(\mathbb{R}_t, \mathfrak{A}_5)$ -solitons can be fixed at $\xi = \pm\infty$ by adding physically inconsequential \mathcal{Q} -exact terms to the SQM action.

This means that we can denote and specify any \mathfrak{A}_5^θ -sheet at $\xi = \pm\infty$ as $\Sigma_{\pm}^{IJ,KL}(\tau, t, \theta, \mathfrak{A}_5)$,³³ where (i) its left and right edges correspond to the \mathfrak{A}_5^θ -solitons $\Gamma^{IJ}(t, \theta, \mathfrak{A}_5)$ and $\Gamma^{KL}(t, \theta, \mathfrak{A}_5)$, respectively, and (ii) its four vertices would correspond to $\mathcal{E}_{\text{HW}}^I(\theta)$, $\mathcal{E}_{\text{HW}}^J(\theta)$, $\mathcal{E}_{\text{HW}}^K(\theta)$, and $\mathcal{E}_{\text{HW}}^L(\theta)$, similar to the kind shown in Fig. 2. However, instead of the edges being $\Gamma^{**}(t, \theta, \mathfrak{A}_2)$, we will have $\Gamma^{**}(t, \theta, \mathfrak{A}_5)$. And, instead of the vertices being $\mathcal{E}_{\text{BF}}^*(\theta)$, we will have $\mathcal{E}_{\text{HW}}^*(\theta)$.

Since the $\mathcal{E}_{\text{HW}}^*(\theta)$'s and $\Gamma^{**}(t, \theta, \mathfrak{A}_5)$'s are ξ -invariant and therefore, have the same value for all ξ , we have BPS worldvolumes of the kind similar to Fig. 3. This time, however, instead of the faces being $\Sigma_{\pm}^{**,**}(\tau, t, \theta, \mathfrak{A}_2)$ and $\Gamma^{**}(t, \theta, \mathfrak{A}_2)$, we will have $\Sigma_{\pm}^{**,**}(\tau, t, \theta, \mathfrak{A}_5)$ and $\Gamma^{**}(t, \theta, \mathfrak{A}_5)$. And, instead of the edges being $\mathcal{E}_{\text{BF}}^*(\theta)$, we will have $\mathcal{E}_{\text{HW}}^*(\theta)$.

The 3d Model on \mathbb{R}^3 and an Open Membrane Theory in \mathfrak{A}_5

Thus, like in §3.3, one can understand the 3d gauged sigma model with target space \mathfrak{A}_5 to define an open membrane theory in \mathfrak{A}_5 , whose *effective* worldvolume and boundaries are similar to Fig. 3, where ξ is the temporal direction, and τ and t are the spatial directions.

4.4 Soliton String Theory, the Spin(7) Partition Function, and an FS type A_∞ -category of \mathfrak{A}_5^θ -solitons

The 2d Model as a 2d Gauged LG Model

Notice that we can also express (4.21) as

$$\begin{aligned} \frac{D(\tilde{A}_t)^{\hat{m}}}{D\xi} - k \frac{D(\tilde{A}_t)^{\hat{m}}}{D\tau} + k \left(\frac{DC^{\hat{m}}}{D\xi} - k \frac{DC^{\hat{m}}}{D\tau} \right) + iF_{\xi\tau} &= -Q^{\hat{m}} - q^{\hat{m}}, \\ \frac{DA^{\hat{m}}}{D\xi} - k_\theta \frac{DA^{\hat{m}}}{D\tau} &= -R^{\hat{m}} - r^{\hat{m}}. \end{aligned} \tag{4.23}$$

In turn, this means that we can express the action of the 2d gauged sigma model with target space

³³Just like in footnote 16, the ξ -invariant \mathfrak{A}_5^θ -sheets can be fixed at $\xi = \pm\infty$ by adding physically inconsequential \mathcal{Q} -exact terms to the SQM action.

$\mathcal{M}(\mathbb{R}_t, \mathfrak{A}_5)$ in (4.9) as

$$\begin{aligned}
& S_{2\text{d-LG}, \mathcal{M}(\mathbb{R}_t, \mathfrak{A}_5)} \\
&= \int d\tau d\xi \left(\left| (D_\xi - kD_\tau) \left((\tilde{A}_t)^{\hat{m}} + kC^{\hat{m}} \right) + iF_{\xi\tau} + Q^{\hat{m}} + q^{\hat{m}} \right|^2 \right. \\
&\quad \left. + \left| (D_\xi - k_\theta D_\tau) \mathcal{A}^{\hat{m}} + R^{\hat{m}} + r^{\hat{m}} \right|^2 + \dots \right) \\
&= \int d\tau d\xi \left(\left| (D_\xi - kD_\tau) \left((\tilde{A}_t)^{\hat{m}} + kC^{\hat{m}} \right) + iF_{\xi\tau} + g_{\mathcal{M}(\mathbb{R}_t, \mathfrak{A}_5)}^{\hat{m}\tilde{n}} \left(\frac{j\zeta}{2} \frac{\partial W_5}{\partial (\tilde{A}_t)^{\tilde{n}}} \right)^* + kg_{\mathcal{M}(\mathbb{R}_t, \mathfrak{A}_5)}^{\hat{m}\tilde{n}} \left(\frac{j\zeta}{2} \frac{\partial W_5}{\partial C^{\tilde{n}}} \right)^* \right|^2 \right. \\
&\quad \left. + \left| (D_\xi - k_\theta D_\tau) \mathcal{A}^{\hat{m}} + g_{\mathcal{M}(\mathbb{R}_t, \mathfrak{A}_5)}^{\hat{m}\tilde{n}} \left(\frac{j\zeta}{2} \frac{\partial W_5}{\partial \mathcal{A}^{\tilde{n}}} \right)^* \right|^2 + \dots \right) \\
&= \int d\tau d\xi \left(\left| D_\rho \mathcal{A}^{\hat{m}} \right|^2 + \left| D_\rho C^{\hat{m}} \right|^2 + \left| D_\rho (\tilde{A}_t)^{\hat{m}} \right|^2 + \left| \frac{\partial W_5}{\partial \mathcal{A}^{\hat{m}}} \right|^2 + \left| \frac{\partial W_5}{\partial C^{\hat{m}}} \right|^2 + \left| \frac{\partial W_5}{\partial (\tilde{A}_t)^{\hat{m}}} \right|^2 + |F_{\xi\tau}|^2 + \dots \right), \tag{4.24}
\end{aligned}$$

where $g_{\mathcal{M}(\mathbb{R}_t, \mathfrak{A}_5)}^{\hat{m}\tilde{n}}$ is the metric on $\mathcal{M}(\mathbb{R}_t, \mathfrak{A}_5)$. In other words, the 2d gauged sigma model with target space $\mathcal{M}(\mathbb{R}_t, \mathfrak{A}_5)$ can also be interpreted as a 2d gauged LG model with target space $\mathcal{M}(\mathbb{R}_t, \mathfrak{A}_5)$ and a holomorphic superpotential $W_5(\mathcal{A}, C, \tilde{A}_t)$.

By setting $d_\xi C^{\hat{m}} = 0 = d_\xi \mathcal{A}^{\hat{m}}$ and $A_\xi, A_\tau, (\tilde{A}_t)^{\hat{m}} \rightarrow 0$ in the expression within the squared terms in (4.24), we can read off the LG $\mathcal{M}^\theta(\mathbb{R}_t, \mathfrak{A}_5)$ -soliton equations corresponding to $\sigma_{\pm}^{JJ, KL}(\tau, \theta, \mathfrak{A}_5)$ (that re-expresses (4.12) with $A_\xi, A_\tau, (\tilde{A}_t)^{\hat{m}} \rightarrow 0$) as

$$\begin{aligned}
\frac{dC^{\hat{m}}}{d\tau} &= -g_{\mathcal{M}(\mathbb{R}_t, \mathfrak{A}_5)}^{\hat{m}\tilde{n}} \left(\frac{j\zeta}{2} \frac{\partial W_5}{\partial (\tilde{A}_t)^{\tilde{n}}} \right)_{\tilde{A}_t=0}^* - kg_{\mathcal{M}(\mathbb{R}_t, \mathfrak{A}_5)}^{\hat{m}\tilde{n}} \left(\frac{j\zeta}{2} \frac{\partial W_5}{\partial C^{\tilde{n}}} \right)_{\tilde{A}_t=0}^*, \\
\frac{d\mathcal{A}^{\hat{m}}}{d\tau} &= -k_\theta g_{\mathcal{M}(\mathbb{R}_t, \mathfrak{A}_5)}^{\hat{m}\tilde{n}} \left(\frac{j\zeta}{2} \frac{\partial W_5}{\partial \mathcal{A}^{\tilde{n}}} \right)_{\tilde{A}_t=0}^*. \tag{4.25}
\end{aligned}$$

By setting $d_\tau C^{\hat{m}} = 0 = d_\tau \mathcal{A}^{\hat{m}}$ in (4.25), we get the LG $\mathcal{M}^\theta(\mathbb{R}_t, \mathfrak{A}_5)$ -soliton endpoint equations corresponding to $\sigma^{JJ, KL}(\pm\infty, \theta, \mathfrak{A}_5)$ (that re-expresses (4.17)) as

$$\begin{aligned}
g_{\mathcal{M}(\mathbb{R}_t, \mathfrak{A}_5)}^{\hat{m}\tilde{n}} \left(\frac{j\zeta}{2} \frac{\partial W_5}{\partial (\tilde{A}_t)^{\tilde{n}}} \right)_{\tilde{A}_t=0}^* + kg_{\mathcal{M}(\mathbb{R}_t, \mathfrak{A}_5)}^{\hat{m}\tilde{n}} \left(\frac{j\zeta}{2} \frac{\partial W_5}{\partial C^{\tilde{n}}} \right)_{\tilde{A}_t=0}^* &= 0, \\
k_\theta g_{\mathcal{M}(\mathbb{R}_t, \mathfrak{A}_5)}^{\hat{m}\tilde{n}} \left(\frac{j\zeta}{2} \frac{\partial W_5}{\partial \mathcal{A}^{\tilde{n}}} \right)_{\tilde{A}_t=0}^* &= 0. \tag{4.26}
\end{aligned}$$

Recall from the end of §4.2 that we are only considering certain CY_2 such that the θ -deformed HW configurations are isolated and non-degenerate. Next, recall also that such configurations will correspond to the endpoints of the \mathfrak{A}_5^θ -solitons; therefore, just like their endpoints, these \mathfrak{A}_5^θ -solitons would be isolated and non-degenerate. As these \mathfrak{A}_5^θ -solitons will correspond, in the 2d gauged sigma model, to the endpoints of the $\mathcal{M}^\theta(\mathbb{R}_t, \mathfrak{A}_5)$ -solitons, i.e., $\sigma^{JJ, KL}(\pm\infty, \theta, \mathfrak{A}_5)$, this means the latter are also isolated and non-degenerate. Thus, from their definition in (4.26) which tells us that they are critical points of $W_5(\mathcal{A}, C, \tilde{A}_t)$, we conclude that $W_5(\mathcal{A}, C, \tilde{A}_t)$ can be regarded as a holomorphic Morse function in $\mathcal{M}(\mathbb{R}_t, \mathfrak{A}_5)$.

Just like in §3.4, an LG $\mathcal{M}^\theta(\mathbb{R}_t, \mathfrak{A}_5)$ -soliton defined in (4.25) maps to a straight line in the complex W_5 -plane that starts and ends at the critical values $W_5^{IJ}(\theta) \equiv W_5(\sigma^{IJ}(-\infty, \theta, \mathfrak{A}_5))$ and $W_5^{KL}(\theta) \equiv W_5(\sigma^{KL}(-\infty, \theta, \mathfrak{A}_5))$, respectively, where its slope depends on θ (via ζ). We shall also assume that $\text{Re}(W_5^{IJ}(\theta)) < \text{Re}(W_5^{KL}(\theta))$ and that $I \neq J$, $J \neq K$, and $K \neq L$.

The 2d Gauged LG Model as an LG SQM

With suitable rescalings, we can recast (4.24) as a 1d LG SQM (that re-expresses (4.11)), where its action will be given by³⁴

$$\begin{aligned} S_{\text{2d-LG SQM}, \mathcal{M}(\mathbb{R}_\tau, \mathcal{M}(\mathbb{R}_t, \mathfrak{A}_5))} &= \int d\xi \left(\left| (d_\xi \check{A}^{\check{u}} + k d_\xi C^{\check{u}}) + \left(g_{\mathcal{M}(\mathbb{R}_\tau, \mathcal{M}(\mathbb{R}_t, \mathfrak{A}_5))}^{\check{u}\check{v}} \frac{\partial H_5}{\partial \check{A}^{\check{v}}} + k g_{\mathcal{M}(\mathbb{R}_\tau, \mathcal{M}(\mathbb{R}_t, \mathfrak{A}_5))}^{\check{u}\check{v}} \frac{\partial H_5}{\partial C^{\check{v}}} \right) \right|^2 \right. \\ &\quad \left. + \left| d_\xi \mathcal{A}^{\check{u}} + g_{\mathcal{M}(\mathbb{R}_\tau, \mathcal{M}(\mathbb{R}_t, \mathfrak{A}_5))}^{\check{u}\check{v}} \frac{\partial H_5}{\partial \mathcal{A}^{\check{v}}} \right|^2 + \dots \right), \end{aligned} \quad (4.27)$$

where $H_5(\mathcal{A}, C, \check{A})$ is the *real-valued* potential in $\mathcal{M}(\mathbb{R}_\tau, \mathcal{M}(\mathbb{R}_t, \mathfrak{A}_5))$, and the subscript “2d-LG SQM, $\mathcal{M}(\mathbb{R}_\tau, \mathcal{M}(\mathbb{R}_t, \mathfrak{A}_5))$ ” is to specify that it is a 1d SQM in $\mathcal{M}(\mathbb{R}_\tau, \mathcal{M}(\mathbb{R}_t, \mathfrak{A}_5))$ obtained from the equivalent 2d LG model. We will also refer to this 1d LG SQM as “2d-LG SQM” in the rest of this subsection.

The 2d-LG SQM will localize onto configurations that *simultaneously* set to zero the LHS and RHS of the expression within the squared terms in (4.27). In other words, it will localize onto ξ -invariant critical points of $H_5(\mathcal{A}, C, \check{A})$ that will correspond to the LG $\mathcal{M}^\theta(\mathbb{R}_t, \mathfrak{A}_5)$ -solitons defined by (4.25). For our choice of CY_2 , the LG $\mathcal{M}^\theta(\mathbb{R}_t, \mathfrak{A}_5)$ -solitons, just like their endpoints, will be isolated and non-degenerate. Thus, $H_5(\mathcal{A}, C, \check{A})$ can be regarded as a real-valued Morse functional in $\mathcal{M}(\mathbb{R}_\tau, \mathcal{M}(\mathbb{R}_t, \mathfrak{A}_5))$.

Morphisms from $\gamma^{IJ}(\theta, \mathfrak{A}_5)$ to $\gamma^{KL}(\theta, \mathfrak{A}_5)$ as Floer Homology Classes of Intersecting Thimbles

Repeating here the analysis in §3.4 with (4.27) as the action of the 2d-LG SQM, we find that we can interpret the LG $\mathcal{M}^\theta(\mathbb{R}_t, \mathfrak{A}_5)$ -soliton solution $\sigma_\pm^{IJ, KL}(\tau, \theta, \mathfrak{A}_5)$ as intersections of thimbles. Specifically, a $\sigma_\pm^{IJ, KL}(\tau, \theta, \mathfrak{A}_5)$ -soliton pair, whose left and right endpoints correspond to $\gamma^{IJ}(\theta, \mathfrak{A}_5)$ and $\gamma^{KL}(\theta, \mathfrak{A}_5)$, respectively, can be identified as a pair of intersection points $p_{\text{HW}, \pm}^{IJ, KL}(\theta) \in S_{\text{HW}}^{IJ} \cap S_{\text{HW}}^{KL}$ of a left and right thimble in the fiber space over the line segment $[W_5^{IJ}(\theta), W_5^{KL}(\theta)]$.

This means that the 2d-LG SQM in $\mathcal{M}(\mathbb{R}_\tau, \mathcal{M}(\mathbb{R}_t, \mathfrak{A}_5))$ with action (4.27), will physically realize a Floer homology that we shall name an $\mathcal{M}(\mathbb{R}_t, \mathfrak{A}_5)$ -LG Floer homology. The chains of the $\mathcal{M}(\mathbb{R}_t, \mathfrak{A}_5)$ -LG Floer complex will be generated by LG $\mathcal{M}^\theta(\mathbb{R}_t, \mathfrak{A}_5)$ -solitons which we can identify with $p_{\text{HW}, \pm}^{**, **}(\theta)$, and the $\mathcal{M}(\mathbb{R}_t, \mathfrak{A}_5)$ -LG Floer differential will be realized by the flow lines governed by the gradient flow equations satisfied by the ξ -varying configurations which set the expression within the squared terms in (4.27) to zero. The partition function of the 2d-LG SQM

³⁴In the following expression, we have integrated out A_ξ and omitted the fields corresponding to the finite-energy gauge fields $A_{\{t, \tau\}}$ (as explained in footnote 13).

in $\mathcal{M}(\mathbb{R}_\tau, \mathcal{M}(\mathbb{R}_t, \mathfrak{A}_5))$ will then be given by³⁵

$$\mathcal{Z}_{2d\text{-LG SQM}, \mathcal{M}(\mathbb{R}_\tau, \mathcal{M}(\mathbb{R}_t, \mathfrak{A}_5))}(G) = \sum_{I \neq J \neq K \neq L=1}^m \sum_{p_{\text{HW}, \pm}^{IJ, KL} \in S_{\text{HW}}^{IJ} \cap S_{\text{HW}}^{KL}} \text{HF}_{d_u}^G(p_{\text{HW}, \pm}^{IJ, KL}(\theta)). \quad (4.28)$$

Here, the contribution $\text{HF}_{d_u}^G(p_{\text{HW}, \pm}^{IJ, KL}(\theta))$ can be identified with a homology class in an $\mathcal{M}(\mathbb{R}_t, \mathfrak{A}_5)$ -LG Floer homology generated by intersection points of thimbles. These intersection points represent LG $\mathcal{M}^\theta(\mathbb{R}_t, \mathfrak{A}_5)$ -solitons defined by (4.25), whose endpoints correspond to θ -deformed, non-constant paths in $\mathcal{M}(\mathbb{R}_t, \mathfrak{A}_5)$ defined by (4.26). The degree of each chain in the complex is d_u , and is counted by the number of outgoing flow lines from the fixed critical points of $H_5(\mathcal{A}, C, \tilde{A})$ in $\mathcal{M}(\mathbb{R}_\tau, \mathcal{M}(\mathbb{R}_t, \mathfrak{A}_5))$ which can also be identified as $p_{\text{HW}, \pm}^{IJ, KL}(\theta)$.

Therefore, $\mathcal{Z}_{2d\text{-LG SQM}, \mathcal{M}(\mathbb{R}_\tau, \mathcal{M}(\mathbb{R}_t, \mathfrak{A}_5))}(G)$ in (4.28) is a sum of LG $\mathcal{M}^\theta(\mathbb{R}_t, \mathfrak{A}_5)$ -solitons defined by (4.25) with endpoints (4.26), or equivalently, $\sigma_{\pm}^{IJ, KL}(\tau, \theta, \mathfrak{A}_5)$ -solitons defined by (4.12) (with $A_\xi, A_\tau, (\tilde{A}_t)^{\hat{m}} \rightarrow 0$) with endpoints (4.17), whose start and end correspond to the non-constant paths $\gamma^{IJ}(\theta, \mathfrak{A}_5)$ and $\gamma^{KL}(\theta, \mathfrak{A}_5)$, respectively. In other words, we can write

$$\text{CF}_{\mathcal{M}(\mathbb{R}_t, \mathfrak{A}_5)}(\gamma^{IJ}(\theta, \mathfrak{A}_5), \gamma^{KL}(\theta, \mathfrak{A}_5))_{\pm} = \text{HF}_{d_u}^G(p_{\text{HW}, \pm}^{IJ, KL}(\theta)), \quad (4.29)$$

where $\text{CF}_{\mathcal{M}(\mathbb{R}_t, \mathfrak{A}_5)}(\gamma^{IJ}(\theta, \mathfrak{A}_5), \gamma^{KL}(\theta, \mathfrak{A}_5))_{\pm}$ is a vector representing a $\sigma_{\pm}^{IJ, KL}(\tau, \theta, \mathfrak{A}_5)$ -soliton, such that $\text{Re}(W_5^{IJ}(\theta)) < \text{Re}(W_5^{KL}(\theta))$. This will lead us to the following one-to-one identification³⁶

$$\boxed{\text{Hom}(\gamma^{IJ}(\mathfrak{A}_5), \gamma^{KL}(\mathfrak{A}_5))_{\pm} \iff \text{HF}_{d_u}^G(p_{\text{HW}, \pm}^{IJ, KL})} \quad (4.30)$$

where the RHS is proportional to the identity class when $I = K$ and $J = L$, and zero when $I \leftrightarrow K$ and $J \leftrightarrow L$ (since the $\sigma_{\pm}^{IJ, KL}(\tau, \theta, \mathfrak{A}_5)$ -soliton only moves in one direction from $\gamma^{IJ}(\theta, \mathfrak{A}_5)$ to $\gamma^{KL}(\theta, \mathfrak{A}_5)$).

Soliton String Theory from the 2d LG model

Just like in §3.4, the 2d gauged LG model in $\mathcal{M}(\mathbb{R}_t, \mathfrak{A}_5)$ with action (4.24) can be interpreted as a soliton string theory in $\mathcal{M}(\mathbb{R}_t, \mathfrak{A}_5)$. The dynamics of this soliton string theory in $\mathcal{M}(\mathbb{R}_t, \mathfrak{A}_5)$ will be governed by the BPS worldsheet equations of (4.23), where $(\mathcal{A}^{\hat{m}}, C^{\hat{m}}, (\tilde{A}_t)^{\hat{m}})$ are scalars on the worldsheet corresponding to the holomorphic coordinates of $\mathcal{M}(\mathbb{R}_t, \mathfrak{A}_5)$. At an arbitrary instant in time whence $d_\xi \mathcal{A}^{\hat{m}} = d_\xi C^{\hat{m}} = 0 = d_\xi (\tilde{A}_t)^{\hat{m}} = d_\xi A_\tau$ in (4.23), the dynamics of $(\mathcal{A}^{\hat{m}}, C^{\hat{m}}, (\tilde{A}_t)^{\hat{m}})$ and the 2d gauge fields (A_τ, A_ξ) along τ will be governed by the soliton equations

$$\begin{aligned} \frac{d(\tilde{A}_t)^{\hat{m}}}{d\tau} + k \frac{dC^{\hat{m}}}{d\tau} - j \frac{dA_\xi}{d\tau} &= -k[A_\xi - kA_\tau, (\tilde{A}_t)^{\hat{m}} + kC^{\hat{m}}] + j[A_\tau, A_\xi] \\ &\quad - k g_{\mathcal{M}(\mathbb{R}_t, \mathfrak{A}_5)}^{\hat{m}\hat{n}} \left(\frac{j\zeta}{2} \frac{\partial W_5}{\partial (\tilde{A}_t)^{\hat{n}}} \right)^* + g_{\mathcal{M}(\mathbb{R}_t, \mathfrak{A}_5)}^{\hat{m}\hat{n}} \left(\frac{j\zeta}{2} \frac{\partial W_5}{\partial C^{\hat{n}}} \right)^*, \quad (4.31) \\ k_\theta \frac{d\mathcal{A}^{\hat{m}}}{d\tau} &= [A_\xi - k_\theta A_\tau, \mathcal{A}^{\hat{m}}] + g_{\mathcal{M}(\mathbb{R}_t, \mathfrak{A}_5)}^{\hat{m}\hat{n}} \left(\frac{j\zeta}{2} \frac{\partial W_5}{\partial \mathcal{A}^{\hat{n}}} \right)^*. \end{aligned}$$

³⁵The ‘ θ ’ label is omitted in the LHS of the following expression (as explained in footnote 19).

³⁶The ‘ θ ’ label is omitted in the following expression (as explained in footnote 20).

The Normalized Spin(7) Partition Function, LG $\mathcal{M}^\theta(\mathbb{R}_t, \mathfrak{A}_5)$ -soliton String Scattering, and Maps of an A_∞ -structure

Since our Spin(7) theory is semi-classical, its normalized 8d partition function will be a sum over tree-level scattering amplitudes of the LG $\mathcal{M}^\theta(\mathbb{R}_t, \mathfrak{A}_5)$ -soliton strings defined by (4.25).³⁷ The BPS worldsheet underlying such a tree-level scattering is similar to Fig. 4, where instead of the endpoints of each string being $\gamma^{**}(\mathfrak{A}_2)$, it is now $\gamma^{**}(\mathfrak{A}_5)$.

In other words, we can, like in (3.49), express the normalized Spin(7) partition function as

$$\tilde{\mathcal{Z}}_{\text{Spin}(7), CY_2 \times S^1 \times \mathbb{R}^3}(G) = \sum_{\mathfrak{N}_m} \mu_{\mathfrak{A}_5}^{\mathfrak{N}_m}, \quad \mathfrak{N}_m = \begin{cases} 1, 2, \dots, \frac{m-2}{2}, & m \text{ even} \\ 1, 2, \dots, \frac{m-3}{2}, & m \text{ odd} \end{cases} \quad (4.32)$$

where each

$$\mu_{\mathfrak{A}_5}^{\mathfrak{N}_m} : \left(\bigotimes_{i=1}^{\mathfrak{N}_m} \text{Hom}(\gamma^{I_{2i-1}I_{2i}}(\mathfrak{A}_5), \gamma^{I_{2(i+1)-1}I_{2(i+1)}}(\mathfrak{A}_5))_- \right) \longrightarrow \text{Hom}(\gamma^{I_1I_2}(\mathfrak{A}_5), \gamma^{I_{2\mathfrak{N}_m+1}I_{2\mathfrak{N}_m+2}}(\mathfrak{A}_5))_+ \quad (4.33)$$

is a scattering amplitude of \mathfrak{N}_m incoming LG $\mathcal{M}^\theta(\mathbb{R}_t, \mathfrak{A}_5)$ -soliton strings $\text{Hom}(\gamma^{I_1I_2}(\mathfrak{A}_5), \gamma^{I_3I_4}(\mathfrak{A}_5))_-$, \dots , $\text{Hom}(\gamma^{I_{2\mathfrak{N}_m-1}I_{2\mathfrak{N}_m}}(\mathfrak{A}_5), \gamma^{I_{2\mathfrak{N}_m+1}I_{2\mathfrak{N}_m+2}}(\mathfrak{A}_5))_-$, and a single outgoing LG $\mathcal{M}^\theta(\mathbb{R}_t, \mathfrak{A}_5)$ -soliton string $\text{Hom}(\gamma^{I_1I_2}(\mathfrak{A}_5), \gamma^{I_{2\mathfrak{N}_m+1}I_{2\mathfrak{N}_m+2}}(\mathfrak{A}_5))_+$, with left and right boundaries as labeled, whose underlying worldsheet can be regarded as a disc with $\mathfrak{N}_m + 1$ vertex operators at the boundary. In short, $\mu_{\mathfrak{A}_5}^{\mathfrak{N}_m}$ counts pseudoholomorphic discs with $\mathfrak{N}_m + 1$ punctures at the boundary that are mapped to $\mathcal{M}(\mathbb{R}_t, \mathfrak{A}_5)$ according to the BPS worldsheet equations (4.23).

Just as in §3.4, the collection of $\mu_{\mathfrak{A}_5}^{\mathfrak{N}_m}$ maps in (4.33) can be regarded as composition maps defining an A_∞ -structure.

An FS type A_∞ -category of \mathfrak{A}_5^θ -solitons

Altogether, this means that the normalized partition function of Spin(7) theory on $CY_2 \times S^1 \times \mathbb{R}^3$ as expressed in (4.32), manifests a *novel* FS type A_∞ -category defined by the $\mu_{\mathfrak{A}_5}^{\mathfrak{N}_m}$ maps (4.33) and the one-to-one identification (4.30), where the $\mathfrak{N}_m + 1$ number of objects $\{\gamma^{I_1I_2}(\mathfrak{A}_5), \gamma^{I_3I_4}(\mathfrak{A}_5), \dots, \gamma^{I_{2\mathfrak{N}_m+1}I_{2\mathfrak{N}_m+2}}(\mathfrak{A}_5)\}$ correspond to \mathfrak{A}_5^θ -solitons with endpoints themselves corresponding to (θ -deformed) HW configurations on $CY_2 \times S^1$!

³⁷Just like HW theory, Spin(7) theory is a balanced TQFT [1]. Therefore, the contributions to the normalized partition function can be understood as free-field correlation functions of operators that are in the \mathcal{Q} -cohomology (as explained in footnote 21). Only tree-level scattering contributions need to be considered, as the theory is semi-classical.

4.5 Soliton Membrane Theory, the Spin(7) Partition Function, and a Fueter type A_∞ -2-category 2-categorifying the Holomorphic DT Floer Homology of $CY_2 \times S^1$

Note that we can also express (4.22) (corresponding to (4.21) in the 2d gauged sigma model) as

$$\begin{aligned} i\frac{DC^{\hat{a}}}{D\xi} + j\frac{DC^{\hat{a}}}{D\tau} + k\frac{DC^{\hat{a}}}{Dt} + iF_{\tau t} + jF_{t\xi} + kF_{\xi\tau} &= -jq^{\hat{a}} \\ ie^{-i\theta}\frac{DA^{\hat{a}}}{D\xi} + j\frac{DA^{\hat{a}}}{D\tau} + k\frac{DA^{\hat{a}}}{Dt} &= -ie^{-i\theta}r^{\hat{a}}, \end{aligned} \quad (4.34)$$

which are non-constant, θ -deformed, gauged Fueter equations for the $(\mathcal{A}^{\hat{a}}, C^{\hat{a}})$ fields (that will correspond to (4.23) in the 2d gauged LG model). In turn, this means that we can express the action of the 3d gauged sigma model with target space \mathfrak{A}_5 in (4.7) as

$$\begin{aligned} S_{3d-LG, \mathfrak{A}_5} &= \frac{1}{e^2} \int dt d\tau d\xi \left(\left| iD_\xi C^{\hat{a}} + jD_\tau C^{\hat{a}} + kD_t C^{\hat{a}} + iF_{\tau t} + jF_{t\xi} + kF_{\xi\tau} + jq^{\hat{a}} \right|^2 \right. \\ &\quad \left. + \left| ie^{-i\theta} D_\xi \mathcal{A}^{\hat{a}} + jD_\tau \mathcal{A}^{\hat{a}} + kD_t \mathcal{A}^{\hat{a}} + ie^{-i\theta} r^{\hat{a}} \right|^2 + \dots \right) \\ &= \frac{1}{e^2} \int dt d\tau d\xi \left(\left| iD_\xi C^{\hat{a}} + jD_\tau C^{\hat{a}} + kD_t C^{\hat{a}} + iF_{\tau t} + jF_{t\xi} + kF_{\xi\tau} - g_{\mathfrak{A}_5}^{\hat{a}\bar{b}} \left(\frac{j\zeta}{2} \frac{\partial \mathcal{W}_5}{\partial C^{\hat{b}}} \right)^* \right|^2 \right. \\ &\quad \left. + \left| ie^{-i\theta} D_\xi \mathcal{A}^{\hat{a}} + jD_\tau \mathcal{A}^{\hat{a}} + kD_t \mathcal{A}^{\hat{a}} - g_{\mathfrak{A}_5}^{\hat{a}\bar{b}} \left(\frac{i\zeta}{2} \frac{\partial \mathcal{W}_5}{\partial \mathcal{A}^{\hat{b}}} \right)^* \right|^2 + \dots \right) \\ &= \frac{1}{e^2} \int dt d\tau d\xi \left(\left| D_\rho \mathcal{A}^{\hat{a}} \right|^2 + \left| D_\rho C^{\hat{a}} \right|^2 + \left| \frac{\partial \mathcal{W}_5}{\partial \mathcal{A}^{\hat{a}}} \right|^2 + \left| \frac{\partial \mathcal{W}_5}{\partial C^{\hat{a}}} \right|^2 + |F_{\tau t}|^2 + |F_{t\xi}|^2 + |F_{\xi\tau}|^2 + \dots \right), \end{aligned} \quad (4.35)$$

where $g_{\mathfrak{A}_5}$ is the metric on \mathfrak{A}_5 . In other words, our 3d gauged sigma model can also be interpreted as a 3d gauged LG model in \mathfrak{A}_5 with holomorphic superpotential $\mathcal{W}_5(\mathcal{A}, C)$.

By setting $d_\xi C^{\hat{a}} = 0 = d_\xi \mathcal{A}^{\hat{a}}$ and $A_t, A_\tau, A_\xi \rightarrow 0$ in the expression within the squared terms in (4.35), we can read off the LG \mathfrak{A}_5^θ -sheet equations corresponding to $\Sigma_\pm^{JJ, KL}(\tau, t, \theta, \mathfrak{A}_5)$ (that re-expresses (4.13) with $A_t, A_\tau, A_\xi \rightarrow 0$) as

$$\begin{aligned} j\frac{dC^{\hat{a}}}{d\tau} + k\frac{dC^{\hat{a}}}{dt} &= g_{\mathfrak{A}_5}^{\hat{a}\bar{b}} \left(\frac{j\zeta}{2} \frac{\partial \mathcal{W}_5}{\partial C^{\hat{a}}} \right)^*, \\ j\frac{d\mathcal{A}^{\hat{a}}}{d\tau} + k\frac{d\mathcal{A}^{\hat{a}}}{dt} &= g_{\mathfrak{A}_5}^{\hat{a}\bar{b}} \left(\frac{i\zeta}{2} \frac{\partial \mathcal{W}_5}{\partial \mathcal{A}^{\hat{a}}} \right)^*. \end{aligned} \quad (4.36)$$

By setting $d_\tau C^{\hat{a}} = 0 = d_\tau \mathcal{A}^{\hat{a}}$ in (4.36), we can read off the LG \mathfrak{A}_5^θ -soliton equations corresponding to $\Gamma^{JJ}(t, \theta, \mathfrak{A}_5)$ and $\Gamma^{KL}(t, \theta, \mathfrak{A}_5)$, or equivalently, the LG \mathfrak{A}_5^θ -sheet edge equations corresponding to $\Sigma^{JJ, KL}(\pm\infty, t, \theta, \mathfrak{A}_5)$, (that re-expresses (4.18)) as

$$\begin{aligned} k\frac{dC^{\hat{a}}}{dt} &= g_{\mathfrak{A}_5}^{\hat{a}\bar{b}} \left(\frac{j\zeta}{2} \frac{\partial \mathcal{W}_5}{\partial C^{\hat{a}}} \right)^* \\ k\frac{d\mathcal{A}^{\hat{a}}}{dt} &= g_{\mathfrak{A}_5}^{\hat{a}\bar{b}} \left(\frac{i\zeta}{2} \frac{\partial \mathcal{W}_5}{\partial \mathcal{A}^{\hat{a}}} \right)^* \end{aligned} \quad (4.37)$$

By setting $d_t C^{\hat{a}} = 0 = d_t \mathcal{A}^{\hat{a}}$ in (4.37), we can read off the LG \mathfrak{A}_5^θ -soliton endpoint equations corresponding to $\Gamma^{**}(\pm\infty, \theta, \mathfrak{A}_5)$, or equivalently, the LG \mathfrak{A}_5^θ -sheet vertex equations corresponding to $\Sigma^{IJ, KL}(\pm\infty, \pm\infty, \theta, \mathfrak{A}_5)$ and $\Sigma^{IJ, KL}(\pm\infty, \mp\infty, \theta, \mathfrak{A}_5)$, (that re-expresses (4.18) with $d_t C^{\hat{a}} = 0 = d_t \mathcal{A}^{\hat{a}}$) as

$$g_{\mathfrak{A}_5}^{\hat{a}\hat{b}} \left(\frac{j\zeta}{2} \frac{\partial \mathcal{W}_5}{\partial C^{\hat{a}}} \right)^* = 0, \quad g_{\mathfrak{A}_5}^{\hat{a}\hat{b}} \left(\frac{i\zeta}{2} \frac{\partial \mathcal{W}_5}{\partial \mathcal{A}^{\hat{a}}} \right)^* = 0. \quad (4.38)$$

Recall from the end of §4.2 that we are only considering certain CY_2 such that (the endpoints $\Gamma^{**}(\pm\infty, \theta, \mathfrak{A}_5)$ and thus) the LG \mathfrak{A}_5^θ -solitons, and effectively, (the vertices $\Sigma^{IJ, KL}(\pm\infty, \pm\infty, \theta, \mathfrak{A}_5)$, $\Sigma^{IJ, KL}(\pm\infty, \mp\infty, \theta, \mathfrak{A}_5)$ and thus) the LG \mathfrak{A}_5^θ -sheets, are isolated and non-degenerate. Therefore, from their definition in (4.38) which tells us that they correspond to critical points of $\mathcal{W}_5(\mathcal{A}, C)$, we conclude that $\mathcal{W}_5(\mathcal{A}, C)$ can be regarded as a holomorphic Morse function in \mathfrak{A}_5 .

Just like in §3.5, this means that an LG \mathfrak{A}_5^θ -soliton $\Gamma^{IJ}(t, \theta, \mathfrak{A}_5)$ defined in (4.37) maps to a straight line segment $[\mathcal{W}_5^I(\theta), \mathcal{W}_5^J(\theta)]$ in the complex \mathcal{W}_5 -plane that starts and ends at critical values $\mathcal{W}_5^I(\theta) \equiv \mathcal{W}_5(\Gamma^I(-\infty, \theta, \mathfrak{A}_5))$ and $\mathcal{W}_5^J(\theta) \equiv \mathcal{W}_5(\Gamma^J(+\infty, \theta, \mathfrak{A}_5))$, respectively, where its slope depends on θ (via ζ). Therefore, an LG \mathfrak{A}_5^θ -sheet defined in (4.36) maps to a quadrilateral in the complex \mathcal{W}_5 -plane, whose edges are the straight line segments that the LG \mathfrak{A}_5^θ -solitons map to, and whose bottom-left, top-left, bottom-right, and top-right vertices are the critical points $\mathcal{W}_5^I(\theta) \equiv \mathcal{W}_5(\Sigma^I(-\infty, -\infty, \theta, \mathfrak{A}_5))$, $\mathcal{W}_5^J(\theta) \equiv \mathcal{W}_5(\Sigma^J(-\infty, +\infty, \theta, \mathfrak{A}_5))$, $\mathcal{W}_5^K(\theta) \equiv \mathcal{W}_5(\Sigma^K(+\infty, -\infty, \theta, \mathfrak{A}_5))$, and $\mathcal{W}_5^L(\theta) \equiv \mathcal{W}_5(\Sigma^L(+\infty, +\infty, \theta, \mathfrak{A}_5))$, respectively, where the slope of the straight line segments between each left-right vertex pair depends on θ (via ζ).

We shall also assume that $\text{Re}(\mathcal{W}_5^I(\theta)) < \{\text{Re}(\mathcal{W}_5^J(\theta)), \text{Re}(\mathcal{W}_5^K(\theta))\} < \text{Re}(\mathcal{W}_5^L(\theta))$.

The 3d Gauged LG Model as an LG SQM

Last but not least, after suitable rescalings, we can recast (4.35) as a 1d LG SQM (that re-expresses (4.11)), where its action will be given by³⁸

$$S_{\text{3d-LG SQM}, \mathcal{M}(\mathbb{R}^2, \mathfrak{A}_5)} = \frac{1}{e^2} \int d\xi \left(\left| i \frac{dC^{\hat{u}}}{d\xi} + g_{\mathcal{M}(\mathbb{R}^2, \mathfrak{A}_5)}^{\hat{u}\hat{v}} \frac{\partial \mathfrak{F}_5}{\partial C^{\hat{v}}} \right|^2 + \left| e^{-i\theta} \frac{d\mathcal{A}^{\hat{u}}}{d\xi} + g_{\mathcal{M}(\mathbb{R}^2, \mathfrak{A}_5)}^{\hat{u}\hat{v}} \frac{\partial \mathfrak{F}_5}{\partial \mathcal{A}^{\hat{v}}} \right|^2 + \dots \right). \quad (4.39)$$

Here, $\mathfrak{F}_5(\mathcal{A}, C)$ is the *real-valued* potential in $\mathcal{M}(\mathbb{R}^2, \mathfrak{A}_5)$, and the subscript “3d-LG SQM, $\mathcal{M}(\mathbb{R}^2, \mathfrak{A}_5)$ ” is to specify that it is a 1d SQM with target space $\mathcal{M}(\mathbb{R}^2, \mathfrak{A}_5)$ obtained from the equivalent 3d LG model. We will also refer to this 1d LG SQM as “3d-LG SQM” in the rest of this subsection.

The 3d-LG SQM will localize onto configurations that *simultaneously* set to zero the LHS and RHS of the expression within the squared terms in (4.39). In other words, it will localize onto ξ -invariant critical points of $\mathfrak{F}_5(\mathcal{A}, C)$ that will correspond to the LG \mathfrak{A}_5^θ -sheets defined by (4.36). For our choice of CY_2 , the LG \mathfrak{A}_5^θ -sheets, just like their vertices, will be isolated and non-degenerate. Thus, $\mathfrak{F}_5(\mathcal{A}, C)$ can be regarded as a *real-valued* Morse functional in $\mathcal{M}(\mathbb{R}^2, \mathfrak{A}_5)$.

³⁸In the following expression, we have integrated out A_ξ and omitted the fields corresponding to the finite-energy gauge fields $A_{\{t, \tau\}}$ (as explained in footnote 13).

Morphisms between \mathfrak{A}_5^θ -solitons as Intersection Floer Homology Classes

Repeating here the analysis in §3.5 with (4.39) as the action of the 3d-LG SQM, we find that we can interpret the LG \mathfrak{A}_5^θ -soliton solution $\Gamma^{IJ}(t, \theta, \mathfrak{A}_5)$ as a thimble-intersection, and the LG \mathfrak{A}_5^θ -sheet solution $\Sigma_\pm^{IJ,KL}(\tau, t, \theta, \mathfrak{A}_5)$ as an intersection of thimble-intersections.

Specifically, a $\Gamma^{IJ}(t, \theta, \mathfrak{A}_5)$ -soliton, whose bottom and top endpoints correspond to $\mathcal{E}_{\text{HW}}^I(\theta)$ and $\mathcal{E}_{\text{HW}}^J(\theta)$, respectively, can be identified as an intersection point $q_{\text{HW},\pm}^{IJ}(\theta) \in S_{\text{HW}}^{IJ}(\theta)$ of a bottom and top thimble in the fiber space over the line segment $[\mathcal{W}_5^I(\theta), \mathcal{W}_5^J(\theta)]$. As a result, a $\Sigma_\pm^{IJ,KL}(\tau, t, \theta, \mathfrak{A}_5)$ -sheet pair, whose left and right edges correspond to $\Gamma^{IJ}(t, \theta, \mathfrak{A}_5)$ and $\Gamma^{KL}(t, \theta, \mathfrak{A}_5)$, respectively, can be identified as a pair of intersection points $\{q_{\text{HW},\pm}^{IJ}(\theta), q_{\text{HW},\pm}^{KL}(\theta)\} =: P_{\text{HW},\pm}^{IJ,KL}(\theta) \in S_{\text{HW}}^{IJ}(\theta) \cap S_{\text{HW}}^{KL}(\theta)$ of a left and right thimble-intersection in the fiber space over the quadrilateral with vertices $(\mathcal{W}_5^I(\theta), \mathcal{W}_5^J(\theta), \mathcal{W}_5^K(\theta), \mathcal{W}_5^L(\theta))$.

At any rate, the 3d-LG SQM in $\mathcal{M}(\mathbb{R}^2, \mathfrak{A}_5)$ with action (4.39) will physically realize a Floer homology that we shall name an \mathfrak{A}_5 -LG Floer homology. The chains of the \mathfrak{A}_5 -LG Floer complex are generated by LG \mathfrak{A}_5^θ -sheets which we can thus identify with $P_{\text{HW},\pm}^{**,**}(\theta)$, and the \mathfrak{A}_5 -LG Floer differential will be realized by the flow lines governed by the gradient flow equations satisfied by ξ -varying configurations which set the expression within the squared terms of (4.39) to zero. The partition function of the 3d-LG SQM in $\mathcal{M}(\mathbb{R}^2, \mathfrak{A}_5)$ will be given by³⁹

$$\mathcal{Z}_{\text{3d-LG SQM}, \mathcal{M}(\mathbb{R}^2, \mathfrak{A}_5)}(G) = \sum_{I \neq J \neq K \neq L = 1}^m \sum_{\substack{P_{\text{HW},\pm}^{IJ,KL} \\ \in S_{\text{HW}}^{IJ} \cap S_{\text{HW}}^{KL}}} \text{HF}_{d_u}^G(P_{\text{HW},\pm}^{IJ,KL}(\theta)), \quad (4.40)$$

where the contribution $\text{HF}_{d_u}^G(P_{\text{HW},\pm}^{IJ,KL}(\theta))$ can be identified with a homology class in an \mathfrak{A}_5 -LG Floer homology generated by intersection points of thimble-intersections. These intersection points represent LG \mathfrak{A}_5^θ -sheets defined by (4.36), whose edges correspond to LG \mathfrak{A}_5^θ -solitons defined by (4.37), and whose vertices defined by (4.38) will correspond to θ -deformed HW configurations on $CY_2 \times S^1$. The degree of each chain in the complex is d_u , and is counted by the number of outgoing flow lines from the fixed critical points of $\mathfrak{F}_5(\mathcal{A}, C)$ in $\mathcal{M}(\mathbb{R}^2, \mathfrak{A}_5)$ which can also be identified as $P_{\text{HW},\pm}^{IJ,KL}(\theta)$.

Therefore, $\mathcal{Z}_{\text{3d-LG SQM}, \mathcal{M}(\mathbb{R}^2, \mathfrak{A}_5)}(G)$ in (4.40) is a sum of LG \mathfrak{A}_5^θ -sheets defined by (i) (4.36) with (ii) edges (4.37) and (iii) vertices (4.38), or equivalently, $\Sigma_\pm^{IJ,KL}(\tau, t, \theta, \mathfrak{A}_5)$ -sheets defined by (i) (4.13) and (4.14) (with $A_t, A_\tau, A_\xi \rightarrow 0$) with (ii) edges (4.18) and (iii) vertices (4.18) (with $d_t C^{\hat{a}} = 0 = d_t A^{\hat{a}}$), respectively. In other words, we can write

$$\text{CF}_{\mathcal{M}(\mathbb{R}^2, \mathfrak{A}_5)}(\Gamma^{IJ}(t, \theta, \mathfrak{A}_5), \Gamma^{KL}(t, \theta, \mathfrak{A}_5))_\pm = \text{HF}_{d_u}^G(P_{\text{HW},\pm}^{IJ,KL}(\theta)), \quad (4.41)$$

where $\text{CF}_{\mathcal{M}(\mathbb{R}^2, \mathfrak{A}_5)}(\Gamma^{IJ}(t, \theta, \mathfrak{A}_5), \Gamma^{KL}(t, \theta, \mathfrak{A}_5))_\pm$ is a vector representing a $\Sigma_\pm^{IJ,KL}(\tau, t, \theta, \mathfrak{A}_5)$ -sheet, whose left and right edges correspond to $\Gamma^{IJ}(t, \theta, \mathfrak{A}_5)$ and $\Gamma^{KL}(t, \theta, \mathfrak{A}_5)$, respectively, and whose bottom-left, top-left, bottom-right, and top-right vertices correspond to $\mathcal{E}_{\text{HW}}^I(\theta)$, $\mathcal{E}_{\text{HW}}^J(\theta)$, $\mathcal{E}_{\text{HW}}^K(\theta)$, and $\mathcal{E}_{\text{HW}}^L(\theta)$, respectively, such that $\text{Re}(\mathcal{W}_5^I(\theta)) < \{\text{Re}(\mathcal{W}_5^J(\theta)), \text{Re}(\mathcal{W}_5^K(\theta))\} < \text{Re}(\mathcal{W}_5^L(\theta))$. This

³⁹The ‘ θ ’ label is omitted in the LHS of the following expression (as explained in footnote 19).

will lead us to the following one-to-one identifications⁴⁰

$$\boxed{\text{Hom}(\Gamma^{IJ}(t, \mathfrak{A}_5), \Gamma^{KL}(t, \mathfrak{A}_5))_{\pm} \iff \text{Hom}(\text{Hom}(\mathcal{E}_{\text{HW}}^I, \mathcal{E}_{\text{HW}}^J), \text{Hom}(\mathcal{E}_{\text{HW}}^K, \mathcal{E}_{\text{HW}}^L))_{\pm} \iff \text{HF}_{d_u}^G(P_{\text{HW}, \pm}^{IJKL})} \quad (4.42)$$

where the RHS is proportional to the identity class when $I = K$ and $J = L$, and zero when (i) $I \leftrightarrow K$ and $J \leftrightarrow L$ (since the $\Sigma^{IJ, KL}(\tau, t, \theta, \mathfrak{A}_5)$ -sheet only moves in one direction from $\Gamma^{IJ}(t, \theta, \mathfrak{A}_5)$ to $\Gamma^{KL}(t, \theta, \mathfrak{A}_5)$), and (ii) $I \leftrightarrow J$ or $K \leftrightarrow L$ (since the $\Gamma^{**}(t, \theta, \mathfrak{A}_5)$ -solitons only move in one direction from $\mathcal{E}_{\text{HW}}^I(\theta)$ to $\mathcal{E}_{\text{HW}}^J(\theta)$ or $\mathcal{E}_{\text{HW}}^K(\theta)$ to $\mathcal{E}_{\text{HW}}^L(\theta)$).

Soliton Membrane Theory from the 3d LG Model

Just like in §3.5, the 3d gauged LG model in \mathfrak{A}_5 with action (4.35) can be interpreted as a soliton membrane theory in \mathfrak{A}_5 . The dynamics of this soliton membrane theory in \mathfrak{A}_5 will be governed by the BPS worldvolume equations of (4.34), where $(\mathcal{A}^{\hat{a}}, C^{\hat{a}})$ are scalars on the worldvolume corresponding to the holomorphic coordinates of \mathfrak{A}_5 . At an arbitrary instant in time whence $d_{\xi} \mathcal{A}^{\hat{a}} = d_{\xi} C^{\hat{a}} = 0 = d_{\xi} A_{\{t, \tau\}}$ in (4.34), the dynamics of $(\mathcal{A}^{\hat{a}}, C^{\hat{a}})$ and the 3d gauge fields (A_t, A_{τ}, A_{ξ}) along (τ, t) will be governed by the membrane equations

$$\begin{aligned} j \frac{dC^{\hat{a}}}{d\tau} + k \frac{dC^{\hat{a}}}{dt} + j \frac{dA_{\xi}}{dt} - k \frac{dA_{\xi}}{d\tau} + i \frac{dA_t}{d\tau} - i \frac{dA_{\tau}}{dt} &= -[iA_{\xi} + jA_{\tau} + kA_t, C^{\hat{a}}] - [jA_t - kA_{\tau}, A_{\xi}] \\ &\quad - i[A_{\tau}, A_t] + g_{\mathfrak{A}_5}^{\hat{a}\bar{b}} \left(\frac{j\zeta}{2} \frac{\partial \mathcal{W}_5}{\partial C^{\bar{b}}} \right)^*, \\ j \frac{d\mathcal{A}^{\hat{a}}}{d\tau} + k \frac{d\mathcal{A}^{\hat{a}}}{dt} &= -[ie^{-i\theta} A_{\xi} + jA_{\tau} + kA_t, \mathcal{A}^{\hat{a}}] + g_{\mathfrak{A}_5}^{\hat{a}\bar{b}} \left(\frac{i\zeta}{2} \frac{\partial \mathcal{W}_5}{\partial \mathcal{A}^{\bar{a}}} \right)^*. \end{aligned} \quad (4.43)$$

The Normalized Spin(7) Partition Function, Soliton Membrane Scattering, and Maps of an A_{∞} -structure

According to footnote 37, the normalized Spin(7) partition function can be regarded as a sum over tree-level scattering amplitudes of the LG \mathfrak{A}_5^{θ} -sheets defined by (4.36). The BPS worldvolume underlying such a tree-level scattering amplitude is similar to Fig. 5, where instead of the vertices of each sheet being $\mathcal{E}_{\text{BF}}^*$, it is now $\mathcal{E}_{\text{HW}}^*$.

In other words, we can, like in (3.67), express the normalized Spin(7) partition function as

$$\tilde{Z}_{\text{Spin}(7), \text{CY}_2 \times S^1 \times \mathbb{R}^3}(G) = \sum_{\mathfrak{N}_m} \Pi_{\mathfrak{A}_5}^{\mathfrak{N}_m}, \quad \mathfrak{N}_m = \begin{cases} 1, 2, \dots, \frac{m-2}{2}, & m \text{ even} \\ 1, 2, \dots, \frac{m-3}{2}, & m \text{ odd} \end{cases} \quad (4.44)$$

where each

$$\boxed{\begin{aligned} \Pi_{\mathfrak{A}_5}^{\mathfrak{N}_m} : & \bigotimes_{i=1}^{\mathfrak{N}_m} \text{Hom} \left(\text{Hom} \left(\mathcal{E}_{\text{HW}}^{I_{2i-1}}, \mathcal{E}_{\text{HW}}^{I_{2i}} \right), \text{Hom} \left(\mathcal{E}_{\text{HW}}^{I_{2(i+1)-1}}, \mathcal{E}_{\text{HW}}^{I_{2(i+1)}} \right) \right)_{-} \\ & \longrightarrow \text{Hom} \left(\text{Hom} \left(\mathcal{E}_{\text{HW}}^{I_1}, \mathcal{E}_{\text{HW}}^{I_2} \right), \text{Hom} \left(\mathcal{E}_{\text{HW}}^{I_{2\mathfrak{N}_m+1}}, \mathcal{E}_{\text{HW}}^{I_{2\mathfrak{N}_m+2}} \right) \right)_{+} \end{aligned}} \quad (4.45)$$

⁴⁰The ‘ θ ’ label is omitted in the following expression (as explained in footnote 20).

is a scattering amplitude of \mathfrak{N}_m incoming LG soliton \mathfrak{A}_5^θ -membranes $\text{Hom}\left(\text{Hom}(\mathcal{E}_{\text{HW}}^{I_1}, \mathcal{E}_{\text{HW}}^{I_2}), \text{Hom}(\mathcal{E}_{\text{HW}}^{I_3}, \mathcal{E}_{\text{HW}}^{I_4})\right)_-$, \dots , $\text{Hom}\left(\text{Hom}(\mathcal{E}_{\text{HW}}^{I_{2\mathfrak{N}_m-1}}, \mathcal{E}_{\text{HW}}^{I_{2\mathfrak{N}_m}}), \text{Hom}(\mathcal{E}_{\text{HW}}^{I_{2\mathfrak{N}_m+1}}, \mathcal{E}_{\text{HW}}^{I_{2\mathfrak{N}_m+2}})\right)_-$, and a single outgoing LG soliton \mathfrak{A}_5^θ -membrane $\text{Hom}\left(\text{Hom}(\mathcal{E}_{\text{HW}}^{I_1}, \mathcal{E}_{\text{HW}}^{I_2}), \text{Hom}(\mathcal{E}_{\text{HW}}^{I_{2\mathfrak{N}_m+1}}, \mathcal{E}_{\text{HW}}^{I_{2\mathfrak{N}_m+2}})\right)_+$, with vertices as labeled.

Just as in §3.5, the collection of $\Pi_{\mathfrak{A}_5^\theta}^{\mathfrak{N}_m}$ maps in (4.45) which involve 2-morphisms, can also be regarded as composition maps defining an A_∞ -structure of a 2-category whose m objects $\{\mathcal{E}_{\text{HW}}^1, \mathcal{E}_{\text{HW}}^2, \dots, \mathcal{E}_{\text{HW}}^m\}$ correspond to (θ -deformed) HW configurations on $CY_2 \times S^1$.

A Fueter type A_∞ -2-category 2-categorifying the Holomorphic DT Floer Homology of $CY_2 \times S^1$

As HW configurations on $CY_2 \times S^1$ are known to generate the holomorphic DT Floer homology of $CY_2 \times S^1$ which is itself a 0-category, this 2-category is a 2-categorification of the said Floer homology.

Altogether, this means that the normalized partition function of Spin(7) theory on $CY_2 \times S^1 \times \mathbb{R}^3$, as expressed in (4.44), manifests a *novel* Fueter type A_∞ -2-category, defined by the maps (4.45) and the identifications (4.42), which 2-categorifies the holomorphic DT Floer homology of $CY_2 \times S^1$!

An Equivalence Between a Fueter type A_∞ -2-category and an FS type A_∞ -category

Recall from §4.4 that the normalized partition function of Spin(7) theory on $CY_2 \times S^1 \times \mathbb{R}^3$ also manifests the FS type A_∞ -category of \mathfrak{A}_5^θ -solitons. This means that we have a *novel* equivalence between the Fueter type A_∞ -2-category 2-categorifying the holomorphic DT Floer homology of $CY_2 \times S^1$ and the FS type A_∞ -category of \mathfrak{A}_5^θ -solitons!

5 A Fueter type A_∞ -2-category of Four-Manifolds

In this section, we will perform a Kaluza-Klein (KK) dimensional reduction of Spin(7) theory on $\text{Spin}(7) = CY_2 \times S^1 \times \mathbb{R}^3$ along the S^1 circle by shrinking it to be infinitesimally small. We will recast the resulting 7d-Spin(7) theory as a 3d gauged LG model on \mathbb{R}^3 , a 2d gauged LG model on \mathbb{R}^2 , or a 1d LG SQM. Following the approach in [1, §10], we will, via the 7d-Spin(7) partition function and its equivalent 2d gauged LG model, be able to physically realize a novel FS type A_∞ -category of solitons whose endpoints correspond to Vafa-Witten (VW) configurations on CY_2 that generate a HW Floer homology. Similarly, via the 7d-Spin(7) partition function and its equivalent 3d gauged LG model, we will be able to also physically realize a novel Fueter type A_∞ -2-category that 2-categorifies the HW Floer homology of CY_2 .

5.1 7d-Spin(7) Theory on $CY_2 \times \mathbb{R}^3$ as a 3d Model on \mathbb{R}^3 , 2d Model on \mathbb{R}^2 , or 1d SQM

Let us perform a KK reduction of Spin(7) theory on $CY_2 \times S^1 \times \mathbb{R}^3$ along the S^1 circle in the y -direction. The action of the resulting 7d-Spin(7) theory on $CY_2 \times \mathbb{R}^3$ can be obtained from (4.2) by setting $\partial_y \rightarrow 0$ therein.

7d-Spin(7) Theory on $CY_2 \times \mathbb{R}^3$

The conditions on (the zero modes of) the bosons that minimize the resulting action are also obtained by performing a KK reduction along the circle in the y -direction of the conditions on (the zero modes of) the bosons that minimize the action of Spin(7) theory, i.e., by the KK reduction of (4.3). They are given by

$$\begin{aligned} D_\xi C + F_{t\tau} &= i\omega^{\kappa\bar{\kappa}} \mathcal{F}_{\kappa\bar{\kappa}}, \\ D_\tau C - iD_t C + i(F_{\xi\tau} - iF_{\xi t}) &= -\frac{i}{2}\varepsilon^{\kappa\lambda} \mathcal{F}_{\kappa\lambda}, \\ D_\xi \mathcal{A}_\kappa - kD_\tau \mathcal{A}_\kappa + jD_t \mathcal{A}_\kappa - \partial_\kappa(A_\xi - kA_\tau + jA_t) &= -i\mathcal{D}_\kappa C. \end{aligned} \quad (5.1)$$

Next, note that we are physically free to rotate the (τ, t) -subplane of \mathbb{R}^3 about the origin by an angle θ , whence (5.1) become

$$\begin{aligned} D_\xi C + F_{t\tau} &= i\omega^{\kappa\bar{\kappa}} \mathcal{F}_{\kappa\bar{\kappa}}, \\ D_\tau C - iD_t C + i(F_{\xi\tau} - iF_{\xi t}) &= -\frac{ie^{-i\theta}}{2}\varepsilon^{\kappa\lambda} \mathcal{F}_{\kappa\lambda}, \\ D_\xi \mathcal{A}_\kappa - k_\theta D_\tau \mathcal{A}_\kappa + j_\theta D_t \mathcal{A}_\kappa - \partial_\kappa(A_\xi - k_\theta A_\tau + j_\theta A_t) &= -i\mathcal{D}_\kappa C. \end{aligned} \quad (5.2)$$

This allows us to write the action for 7d-Spin(7) theory on $CY_2 \times \mathbb{R}^3$ as

$$\begin{aligned} S_{7\text{d-Spin}(7), CY_2 \times \mathbb{R}^3} &= \frac{4}{e^2} \int_{\mathbb{R}^3} dt d\tau d\xi \int_{CY_2} d^4x \text{Tr} \left(|D_\xi C + F_{t\tau} + p|^2 + |D_\tau C - iD_t C + i(F_{\xi\tau} - iF_{\xi t}) + q|^2 \right. \\ &\quad \left. + |D_\xi \mathcal{A}_\kappa - k_\theta D_\tau \mathcal{A}_\kappa + j_\theta D_t \mathcal{A}_\kappa + r_\kappa|^2 + \dots \right), \end{aligned} \quad (5.3)$$

where

$$\begin{aligned} p &= -i\omega^{\kappa\bar{\kappa}} \mathcal{F}_{\kappa\bar{\kappa}}, \\ q &= \frac{ie^{-i\theta}}{2}\varepsilon^{\kappa\lambda} \mathcal{F}_{\kappa\lambda}, \\ r_\alpha &= -\partial_\kappa(A_\xi - k_\theta A_\tau + j_\theta A_t) + i\mathcal{D}_\kappa C. \end{aligned} \quad (5.4)$$

7d-Spin(7) Theory as a 3d Model

After suitable rescalings, we can recast (5.3) as a 3d model on \mathbb{R}^3 , where its action now reads⁴¹

$$\begin{aligned}
S_{3d, \mathfrak{A}_4} &= \frac{1}{e^2} \int_{\mathbb{R}^3} dt d\tau d\xi \left(|D_\xi C^{\dot{a}} + F_{t\tau}|^2 + |D_\tau C^{\dot{a}} - iD_t C^{\dot{a}} + i(F_{\xi\tau} - iF_{\xi t}) + q^{\dot{a}}|^2 \right. \\
&\quad \left. + |D_\xi \mathcal{A}^{\dot{a}} - k_\theta D_\tau \mathcal{A}^{\dot{a}} + j_\theta D_t \mathcal{A}^{\dot{a}} + r^{\dot{a}}|^2 + \dots \right), \\
&= \frac{1}{e^2} \int_{\mathbb{R}_\tau \times \mathbb{R}_\xi} d\tau d\xi \int_{\mathbb{R}_t} dt \left(|D_\xi C^{\dot{a}} - D_\tau A_t + P|^2 + |D_\tau C^{\dot{a}} + iF_{\xi\tau} + D_\xi A_t + Q^{\dot{a}} + q^{\dot{a}}|^2 \right. \\
&\quad \left. + |D_\xi \mathcal{A}^{\dot{a}} - k_\theta D_\tau \mathcal{A}^{\dot{a}} + R^{\dot{a}} + r^{\dot{a}}|^2 + \dots \right).
\end{aligned} \tag{5.5}$$

Here, $(\mathcal{A}^{\dot{a}}, C^{\dot{a}})$ and \dot{a} are coordinates and indices on the space \mathfrak{A}_4 of irreducible (\mathcal{A}_κ, C) fields on CY_2 , and

$$P = \partial_t A_\tau, \quad Q^{\dot{a}} = -iD_t C^{\dot{a}} - \partial_t A_\xi, \quad R^{\dot{a}} = j_\theta D_t \mathcal{A}^{\dot{a}}, \tag{5.6}$$

with $(q^{\dot{a}}, r^{\dot{a}})$ corresponding to (q, r_α) in (5.4).

In other words, 7d-Spin(7) theory on $CY_2 \times \mathbb{R}^3$ can be regarded as a 3d gauged sigma model along the (t, τ, ξ) -directions with target space \mathfrak{A}_4 and action (5.5).

7d-Spin(7) Theory as a 2d Model

From (5.5), one can see that we can, after suitable rescalings, also recast the 3d model action as an equivalent 2d model action⁴²

$$\begin{aligned}
S_{2d, \mathcal{M}(\mathbb{R}_t, \mathfrak{A}_4)} &= \frac{1}{e^2} \int_{\mathbb{R}^2} d\tau d\xi \left(|D_\xi C^{\dot{m}} - D_\tau (\tilde{A}_t)^{\dot{m}}|^2 + |D_\tau C^{\dot{m}} + iF_{\xi\tau} + D_\xi (\tilde{A}_t)^{\dot{m}} + Q^{\dot{m}} + q^{\dot{m}}|^2 \right. \\
&\quad \left. + |D_\xi \mathcal{A}^{\dot{m}} - k_\theta D_\tau \mathcal{A}^{\dot{m}} + R^{\dot{m}} + r^{\dot{m}}|^2 + \dots \right).
\end{aligned} \tag{5.7}$$

Here, $(\mathcal{A}^{\dot{m}}, C^{\dot{m}}, (\tilde{A}_t)^{\dot{m}})$ and \dot{m} are coordinates and indices on the path space $\mathcal{M}(\mathbb{R}_t, \mathfrak{A}_4)$ of smooth paths from \mathbb{R}_t to \mathfrak{A}_4 , with

$$Q^{\dot{m}} = -i(\tilde{D}_t C)^{\dot{m}}, \quad R^{\dot{m}} = j_\theta (\tilde{D}_t \mathcal{A})^{\dot{m}}, \tag{5.8}$$

corresponding to $(Q^{\dot{a}}, R^{\dot{a}})$ in (5.6), $(q^{\dot{m}}, r^{\dot{m}})$ corresponding to $(q^{\dot{a}}, r^{\dot{a}})$, and $(\tilde{A}_t, \tilde{D}_t)$ corresponding to (A_t, D_t) , in the underlying 3d model.

In other words, 7d-Spin(7) theory on $CY_2 \times \mathbb{R}^3$ can also be regarded as a 2d gauged sigma model

⁴¹Just like in footnote 11, to arrive at the following expression, we have (i) employed Stokes' theorem and the fact that CY_2 has no boundary to omit terms with $\partial_\kappa A_{\{t, \tau, \xi\}}$ as they will vanish when integrated over CY_2 , and (ii) integrated out the scalar field $\mathfrak{h}_4(p) = i\omega^{\dot{a}\dot{a}} \mathcal{F}_{\dot{a}\dot{a}}$ corresponding to the scalar p , whose contribution to the action is $|\mathfrak{h}_4(p)|^2$.

⁴²Just like in footnote 12, to arrive at the following expression, we have employed Stokes' theorem and the fact that the finite-energy gauge fields $A_{\{t, \tau, \xi\}}$ would vanish at $t \rightarrow \pm\infty$.

along the (τ, ξ) -directions with target space $\mathcal{M}(\mathbb{R}_t, \mathfrak{A}_4)$ and action (5.7).

7d-Spin(7) Theory as a 1d SQM

Singling out ξ as the direction in “time”, the equivalent SQM action can be obtained from (5.7) after suitable rescalings as⁴³

$$S_{\text{SQM}, \mathcal{M}(\mathbb{R}_\tau, \mathcal{M}(\mathbb{R}_t, \mathfrak{A}_4))} = \frac{1}{e^2} \int d\xi \left(\left| \partial_\xi C^{\dot{u}} + g_{\mathcal{M}(\mathbb{R}_\tau, \mathcal{M}(\mathbb{R}_t, \mathfrak{A}_4))}^{\dot{u}\dot{v}} \frac{\partial h_4}{\partial C^{\dot{v}}} \right|^2 + \left| \partial_\xi \check{A}^{\dot{u}} + g_{\mathcal{M}(\mathbb{R}_\tau, \mathcal{M}(\mathbb{R}_t, \mathfrak{A}_4))}^{\dot{u}\dot{v}} \frac{\partial h_4}{\partial \check{A}^{\dot{v}}} \right|^2 + \left| \partial_\xi \mathcal{A}^{\dot{u}} + g_{\mathcal{M}(\mathbb{R}_\tau, \mathcal{M}(\mathbb{R}_t, \mathfrak{A}_4))}^{\dot{u}\dot{v}} \frac{\partial h_4}{\partial \mathcal{A}^{\dot{v}}} \right|^2 + \dots \right), \quad (5.9)$$

where $(\mathcal{A}^{\dot{u}}, C^{\dot{u}}, \check{A}^{\dot{u}})$ and (\dot{u}, \dot{v}) are coordinates on the path space $\mathcal{M}(\mathbb{R}_\tau, \mathcal{M}(\mathbb{R}_t, \mathfrak{A}_4))$ of smooth maps from \mathbb{R}_τ to $\mathcal{M}(\mathbb{R}_t, \mathfrak{A}_4)$ with $\check{A}^{\dot{u}} := (\check{A}_t + i\check{A}_\tau)^{\dot{u}}$ in $\mathcal{M}(\mathbb{R}_\tau, \mathcal{M}(\mathbb{R}_t, \mathfrak{A}_4))$ corresponding to $A_t + iA_\tau$ in the underlying 3d model; $g_{\mathcal{M}(\mathbb{R}_\tau, \mathcal{M}(\mathbb{R}_t, \mathfrak{A}_4))}^{\dot{u}\dot{v}}$ is the metric of $\mathcal{M}(\mathbb{R}_\tau, \mathcal{M}(\mathbb{R}_t, \mathfrak{A}_4))$; and $h_4(\mathcal{A}, C, \check{A})$ is the SQM potential function. Note that we can also interpret $\mathcal{M}(\mathbb{R}_\tau, \mathcal{M}(\mathbb{R}_t, \mathfrak{A}_4))$ as the double path space $\mathcal{M}(\mathbb{R}^2, \mathfrak{A}_4)$ of smooth maps from \mathbb{R}^2 to \mathfrak{A}_4 .

In short, 7d-Spin(7) theory on $CY_2 \times \mathbb{R}^3$ can also be regarded as a 1d SQM along the ξ -direction in $\mathcal{M}(\mathbb{R}^2, \mathfrak{A}_4)$ whose action is (5.9).

5.2 Non-constant Paths, Solitons, Sheets, and the HW Floer Homology of CY_2

By following the analysis in §3.2, we find that the equivalent 1d SQM of 7d-Spin(7) theory on $CY_2 \times \mathbb{R}^3$ will localize onto ξ -invariant, θ -deformed, non-constant double paths in $\mathcal{M}(\mathbb{R}_\tau, \mathcal{M}(\mathbb{R}_t, \mathfrak{A}_4))$ which will correspond, in the 2d gauged sigma model with target space \mathfrak{A}_4 , to ξ -invariant, θ -deformed solitons along the τ -direction that we shall refer to as $\mathcal{M}^\theta(\mathbb{R}_t, \mathfrak{A}_4)$ -solitons.

$\mathcal{M}^\theta(\mathbb{R}_t, \mathfrak{A}_4)$ -solitons in the 2d Gauged Model

Specifically, such $\mathcal{M}^\theta(\mathbb{R}_t, \mathfrak{A}_4)$ -solitons are defined by

$$\begin{aligned} \partial_\tau (\tilde{A}_t)^{\dot{m}} &= -[A_\tau, (\tilde{A}_t)^{\dot{m}}] + [A_\xi, C^{\dot{m}}], \\ \partial_\tau C^{\dot{m}} - i\partial_\tau A_\xi &= -[A_\tau, C^{\dot{m}} - iA_\xi] + i(\tilde{D}_t C)^{\dot{m}} + [(\tilde{A}_t)^{\dot{m}}, A_\xi] - q^{\dot{m}}, \\ k_\theta \partial_\tau \mathcal{A}^{\dot{m}} &= [A_\xi - k_\theta A_\tau, \mathcal{A}^{\dot{m}}] + j_\theta (\tilde{D}_t \mathcal{A})^{\dot{m}} + r^{\dot{m}}. \end{aligned} \quad (5.10)$$

\mathfrak{A}_4^θ -sheets in the 3d Gauged Model

In turn, they will correspond, in the 3d gauged sigma model with target \mathfrak{A}_4 , to ξ -invariant,

⁴³In the resulting SQM, we have integrated out A_ξ and omitted the terms containing the fields corresponding to $A_{\{t, \tau\}}$ (as explained in footnote 13).

θ -deformed sheets along the (τ, t) -directions that are defined by

$$\begin{aligned} \partial_\tau A_t - \partial_t A_\tau &= -[A_\tau, A_t] + [A_\xi, C^{\dot{a}}], \\ \partial_\tau C^{\dot{a}} - i\partial_t C^{\dot{a}} - i\partial_\tau A_\xi - \partial_t A_\xi &= -[A_\tau - iA_t, C^{\dot{a}} - iA_\xi] - q^{\dot{a}}, \\ k_\theta \partial_\tau \mathcal{A}^{\dot{a}} - j_\theta \partial_t \mathcal{A}^{\dot{a}} &= [A_\xi - k_\theta A_\tau + j_\theta A_t, \mathcal{A}^{\dot{a}}] + r^{\dot{a}}, \end{aligned} \quad (5.11)$$

and the condition

$$\mathfrak{h}_4(p) = 0, \quad (5.12)$$

where $\mathfrak{h}_4(p)$ is the auxiliary scalar field defined in footnote 41. We shall refer to such sheets defined by (5.11) and (5.12) as \mathfrak{A}_4^θ -sheets.

ξ -independent, θ -deformed 7d-Spin(7) Configurations in 7d-Spin(7) Theory

In turn, the 3d configurations defined by (5.11) and (5.12) will correspond, in 7d-Spin(7) theory, to ξ -independent, θ -deformed 7d-Spin(7) configurations on $CY_2 \times R^3$ that are defined, via (5.4), by

$$\begin{aligned} \partial_\tau A_t - \partial_t A_\tau &= -[A_\tau, A_t] + [A_\xi, C], \\ \partial_\tau C - i\partial_t C - i\partial_\tau A_\xi - \partial_t A_\xi &= -[A_\tau - iA_t, C - iA_\xi] - \frac{ie^{-i\theta}}{2} \varepsilon^{\kappa\lambda} \mathcal{F}_{\kappa\lambda}, \\ k_\theta \partial_\tau \mathcal{A}_\kappa - j_\theta \partial_t \mathcal{A}_\kappa &= -\mathcal{D}_\kappa(A_\xi - k_\theta A_\tau + j_\theta A_t) + i\mathcal{D}_\kappa C, \end{aligned} \quad (5.13)$$

and the condition

$$i\omega^{\kappa\bar{\kappa}} \mathcal{F}_{\kappa\bar{\kappa}} = 0. \quad (5.14)$$

7d-Spin(7) Configurations, \mathfrak{A}_4^θ -sheets, $\mathcal{M}^\theta(\mathbb{R}_t, \mathfrak{A}_4)$ -solitons, and Non-constant Double Paths

In short, these ξ -independent, θ -deformed 7d-Spin(7) configurations on $CY_2 \times \mathbb{R}^3$ that are defined by (5.13) and (5.14), will correspond to the \mathfrak{A}_4^θ -sheets defined by (5.11) and (5.12), which, in turn, will correspond to the $\mathcal{M}^\theta(\mathbb{R}_t, \mathfrak{A}_4)$ -solitons defined by (5.10), which, in turn, will correspond to the ξ -invariant, θ -deformed, non-constant double paths in $\mathcal{M}(\mathbb{R}^2, \mathfrak{A}_4)$ defined by setting both the LHS and RHS of the expression within the squared terms of (5.9) *simultaneously* to zero.

$\mathcal{M}^\theta(\mathbb{R}_t, \mathfrak{A}_4)$ -soliton Endpoints Corresponding to Non-constant Paths

Consider now the fixed endpoints of the $\mathcal{M}^\theta(\mathbb{R}_t, \mathfrak{A}_4)$ -solitons at $\tau = \pm\infty$, where we also expect the fields in the 2d gauged sigma model corresponding to the finite-energy 3d gauge fields A_ξ, A_τ, A_t to decay to zero. They are given by (5.10) with $\partial_\tau C^{\dot{m}} = 0 = \partial_\tau \mathcal{A}^{\dot{m}}$ and $A_\xi, A_\tau, (\tilde{A}_t)^{\dot{m}} \rightarrow 0$, i.e,

$$i(\tilde{\partial}_t C)^{\dot{m}} = q^{\dot{m}}, \quad j_\theta(\tilde{\partial}_t \mathcal{A})^{\dot{m}} = -r^{\dot{m}}. \quad (5.15)$$

These are (ξ, τ) -invariant, θ -deformed, non-constant paths in $\mathcal{M}(\mathbb{R}_t, \mathfrak{A}_4)$.

\mathfrak{A}_4^θ -sheet Edges Corresponding to \mathfrak{A}_4^θ -solitons in the 3d Gauged Model

In turn, (5.15) will correspond, in the 3d gauged sigma model, to the fixed edges of the \mathfrak{A}_4^θ -sheets

at $\tau = \pm\infty$, i.e., (ξ, τ) -invariant, θ -deformed solitons along the t -direction that are defined by

$$i\partial_t C^{\hat{a}} = q^{\hat{a}}, \quad j_\theta \partial_t \mathcal{A}^{\hat{a}} = -r^{\hat{a}}. \quad (5.16)$$

Notice that these equations can also be obtained from (5.11) with $\partial_\tau C^{\hat{a}} = 0 = \partial_\tau \mathcal{A}^{\hat{a}}$ and $A_\xi, A_\tau, A_t \rightarrow 0$. We shall henceforth refer to such solitons defined by (5.16) and (5.12) as \mathfrak{A}_4^θ -solitons.

\mathfrak{A}_4^θ -soliton Endpoints or \mathfrak{A}_4^θ -sheet Vertices Corresponding to θ -deformed VW Configurations on CY_2

Consider now (i) the fixed endpoints of the \mathfrak{A}_4^θ -solitons at $t = \pm\infty$, or equivalently (ii) the vertices of the \mathfrak{A}_4^θ -sheets at $\tau, t = \pm\infty$. They are given by (i) (5.16) and (5.12) with $\partial_t C^{\hat{a}} = 0 = \partial_t \mathcal{A}^{\hat{a}}$, or equivalently (ii) (5.11) and (5.12) with $\partial_{\{t,\tau\}} C^{\hat{a}} = 0 = \partial_{\{t,\tau\}} \mathcal{A}^{\hat{a}}$ and $A_\xi, A_\tau, A_t \rightarrow 0$. In turn, they will correspond, in 7d-Spin(7) theory, to (t, τ, ξ) -independent, θ -deformed configurations that obey (5.13) and (5.14) with $\partial_{\{t,\tau\}} C = 0 = \partial_{\{t,\tau\}} \mathcal{A}_\kappa$ and $A_t, A_\tau, A_\xi \rightarrow 0$, i.e.,

$$\omega^{\kappa\bar{\kappa}} \mathcal{F}_{\kappa\bar{\kappa}} = 0, \quad i e^{-i\theta} \varepsilon^{\kappa\lambda} \mathcal{F}_{\kappa\lambda} = 0, \quad i D_\kappa C = 0. \quad (5.17)$$

At $\theta = 0$ or π , (5.17) can be written, in the real coordinates of CY_2 , as

$$F_{\alpha\beta}^+ = 0, \quad D_\alpha B^{\alpha\beta} = 0, \quad (5.18)$$

where $B_{\alpha\beta} \in \Omega^{2,+}(CY_2, \text{ad}(G)) \otimes \Omega^0(\mathbb{R}^3, \text{ad}(G))$ is a self-dual two-form on CY_2 with one of its three linearly-independent components being C , and the other two being zero. These are the Vafa-Witten (VW) equations on CY_2 with the above-described self-dual two-form, and scalar being zero. We shall, in the rest of this section, refer to configurations that span the space of solutions to these equations as VW configurations on CY_2 . One thing to note at this point is that VW configurations on CY_2 are known to generate the HW Floer homology of CY_2 [2, §3].

In other words, the (t, τ, ξ) -independent, θ -deformed 7d-Spin(7) configurations corresponding to the endpoints of the \mathfrak{A}_4^θ -solitons (or equivalently, the vertices of the \mathfrak{A}_4^θ -sheets) are θ -deformed VW configurations on CY_2 . We will also assume choices of CY_2 whereby such configurations are isolated and non-degenerate.⁴⁴

Non-constant Double Paths, $\mathcal{M}^\theta(\mathbb{R}_t, \mathfrak{A}_4)$ -solitons, \mathfrak{A}_4^θ -solitons, and \mathfrak{A}_4^θ -sheets

In short, from the equivalent 1d SQM of 7d-Spin(7) theory on $CY_2 \times \mathbb{R}^3$, the theory localizes onto ξ -invariant, θ -deformed, non-constant double paths in $\mathcal{M}(\mathbb{R}^2, \mathfrak{A}_4)$, which, in turn, will correspond to $\mathcal{M}^\theta(\mathbb{R}_t, \mathfrak{A}_4)$ -solitons in the 2d gauged sigma model whose endpoints are (ξ, τ) -invariant, θ -deformed, non-constant paths in $\mathcal{M}(\mathbb{R}_t, \mathfrak{A}_4)$. In the 3d gauged sigma model, these $\mathcal{M}^\theta(\mathbb{R}_t, \mathfrak{A}_4)$ -solitons will correspond to \mathfrak{A}_4^θ -sheets, whose edges are \mathfrak{A}_4^θ -solitons, and whose vertices will correspond to θ -deformed VW configurations on CY_2 that generate the HW Floer homology of CY_2 .

⁴⁴At $\theta = 0$, these configurations are undeformed VW configurations on CY_2 . Note that such configurations are obtained by a KK reduction along S^1 of the undeformed HW configurations on $CY_2 \times S^1$ from §4. Since our choice of CY_2 is one such that these undeformed HW configurations on $CY_2 \times S^1$ are isolated, it would mean that the undeformed VW configurations on CY_2 must also be isolated. We can then apply the same reasoning in footnote 31 to see that the endpoints of the \mathfrak{A}_4^θ -solitons (or equivalently, the vertices of the \mathfrak{A}_4^θ -sheets) will be isolated and non-degenerate.

5.3 The 2d Model and Open Strings, the 3d Model and Open Membranes

By following the same analysis in §3.3, we find that the 2d gauged sigma model with target space $\mathcal{M}(\mathbb{R}_t, \mathfrak{A}_4)$ whose action is (5.7), will define an open string theory in $\mathcal{M}(\mathbb{R}_t, \mathfrak{A}_4)$. Similarly, we find that the 3d gauged sigma model with target space \mathfrak{A}_4 whose action is (5.5), will define an open membrane theory in \mathfrak{A}_4 . We will now work out the details pertaining to the BPS worldsheets and BPS worldvolumes (including their boundaries) that are necessary to define this open string and open membrane theory, respectively.

BPS Worldsheets of the 2d Model

The BPS worldsheets of the 2d gauged sigma model with target $\mathcal{M}(\mathbb{R}_t, \mathfrak{A}_4)$ correspond to its classical trajectories. Specifically, these are defined by setting to zero the expression within the squared terms in (5.7), i.e.,

$$\begin{aligned} \frac{DC^{\hat{m}}}{D\xi} - \frac{D(\tilde{A}_t)^{\hat{m}}}{D\tau} &= 0, & \frac{D(\tilde{A}_t)^{\hat{m}}}{D\xi} + \frac{DC^{\hat{m}}}{D\tau} + iF_{\xi\tau} &= -Q^{\hat{m}} - q^{\hat{m}}, \\ \frac{D\mathcal{A}^{\hat{m}}}{D\xi} - k_\theta \frac{D\mathcal{A}^{\hat{m}}}{D\tau} &= -R^{\hat{m}} - r^{\hat{m}}. \end{aligned} \tag{5.19}$$

BPS Worldsheets with Boundaries Labeled by Non-constant Paths in $\mathcal{M}(\mathbb{R}_t, \mathfrak{A}_4)$

The boundaries of the BPS worldsheets are traced out by the endpoints of the $\mathcal{M}^\theta(\mathbb{R}_t, \mathfrak{A}_4)$ -solitons as they propagate in ξ . As we have seen at the end of §5.2, these endpoints correspond to (ξ, τ) -invariant, θ -deformed, non-constant paths in $\mathcal{M}(\mathbb{R}_t, \mathfrak{A}_4)$ that we shall, at $\xi = \pm\infty$, denote as $\gamma_\pm(\theta, \mathfrak{A}_4)$. In turn, they will correspond, in the 3d gauged sigma model with target \mathfrak{A}_4 , to \mathfrak{A}_4^θ -solitons that we shall, at $\xi = \pm\infty$, denote as $\Gamma_\pm(t, \theta, \mathfrak{A}_4)$, whose endpoints will correspond to θ -deformed VW configurations on CY_2 .

If there are ‘ n ’ such configurations $\{\mathcal{E}_{\text{VW}}^1(\theta), \mathcal{E}_{\text{VW}}^1(\theta), \dots, \mathcal{E}_{\text{VW}}^n(\theta)\}$, just as in §3.3, we can further specify any $\Gamma_\pm(t, \theta, \mathfrak{A}_4)$ as $\Gamma_\pm^{IJ}(t, \theta, \mathfrak{A}_4)$, where its endpoints would correspond to $\mathcal{E}_{\text{VW}}^I(\theta)$ and $\mathcal{E}_{\text{VW}}^J(\theta)$. Consequently, in the 2d gauged sigma model, we can further specify any $\gamma_\pm(\theta, \mathfrak{A}_4)$ as $\gamma_\pm^{IJ}(\theta, \mathfrak{A}_4)$, where the latter will correspond to a $\Gamma_\pm^{IJ}(t, \theta, \mathfrak{A}_4)$ \mathfrak{A}_4^θ -soliton in the equivalent 3d gauged sigma model.

Since the endpoints of an $\mathcal{M}^\theta(\mathbb{R}_t, \mathfrak{A}_4)$ -soliton are now denoted as $\gamma_\pm^{**}(\theta, \mathfrak{A}_4)$, we can also denote and specify the former at $\xi = \pm\infty$ as $\sigma_\pm^{IJ, KL}(\tau, \theta, \mathfrak{A}_4)$,⁴⁵ where its left and right endpoints would be $\gamma_\pm^{IJ}(\theta, \mathfrak{A}_4)$ and $\gamma_\pm^{KL}(\theta, \mathfrak{A}_4)$, respectively.

As the $\gamma^{**}(\theta, \mathfrak{A}_4)$ ’s are ξ -invariant and therefore, have the same value for all ξ , we have BPS worldsheets of the kind similar to Fig. 1. This time, however, instead of the boundaries being $\gamma^{**}(\theta, \mathfrak{A}_2)$, we will have $\gamma^{**}(\theta, \mathfrak{A}_4)$. And, at $\xi = \pm\infty$, instead of the $\mathcal{M}^\theta(\mathbb{R}_t, \mathfrak{A}_2)$ -solitons $\sigma_\pm^{IJ, KL}(\tau, \theta, \mathfrak{A}_2)$, we will have $\mathcal{M}^\theta(\mathbb{R}_t, \mathfrak{A}_4)$ -solitons $\sigma_\pm^{IJ, KL}(\tau, \theta, \mathfrak{A}_4)$.

⁴⁵Just like in footnote 15, the ξ -invariant $\mathcal{M}^\theta(\mathbb{R}_t, \mathfrak{A}_4)$ -solitons can be fixed at $\xi = \pm\infty$ by adding physically inconsequential \mathcal{Q} -exact terms to the SQM action.

The 2d Model on \mathbb{R}^2 and an Open String Theory in $\mathcal{M}(\mathbb{R}_t, \mathfrak{A}_4)$

Thus, like in §3.3, one can understand the 2d gauged sigma model with target space $\mathcal{M}(\mathbb{R}_t, \mathfrak{A}_4)$ to define an open string theory in $\mathcal{M}(\mathbb{R}_t, \mathfrak{A}_4)$, whose *effective* worldsheet and boundaries are similar to Fig. 1, where ξ and τ are the temporal and spatial directions, respectively.

BPS Worldvolumes of the 3d Model

The BPS worldvolumes of the 3d gauged sigma model with target \mathfrak{A}_4 correspond to its classical trajectories. Specifically, these are defined by setting to zero the expression within the squared terms in (5.5), i.e.,

$$\begin{aligned} \frac{DC^{\dot{a}}}{D\xi} + F_{t\tau} &= 0, & \frac{DC^{\dot{a}}}{D\tau} - i\frac{DC^{\dot{a}}}{Dt} + i(F_{\xi\tau} - iF_{\xi t}) &= -q^{\dot{a}}, \\ 0 &= \mathfrak{h}_5(p), & \frac{DA^{\dot{a}}}{D\xi} - k_\theta\frac{DA^{\dot{a}}}{D\tau} + j_\theta\frac{DA^{\dot{a}}}{Dt} &= -r^{\dot{a}}. \end{aligned} \tag{5.20}$$

BPS Worldvolumes with Boundaries Labeled by \mathfrak{A}_4^θ -solitons, and Edges Labeled by VW Configurations on CY_2

The boundaries and edges of the BPS worldvolumes are traced out by the edges and vertices of the \mathfrak{A}_4^θ -sheets, respectively, as they propagate in ξ . As we have seen at the end of §5.2, these edges and vertices would correspond to \mathfrak{A}_4^θ -solitons and θ -deformed VW configurations on CY_2 , respectively.

This means that we can denote and specify any \mathfrak{A}_4^θ -sheet at $\xi = \pm\infty$ as $\Sigma_\pm^{IJ,KL}(\tau, t, \theta, \mathfrak{A}_4)$,⁴⁶ where (i) its left and right edges correspond to the \mathfrak{A}_4^θ -solitons $\Gamma^{IJ}(t, \theta, \mathfrak{A}_4)$ and $\Gamma^{KL}(t, \theta, \mathfrak{A}_4)$, respectively, and (ii) its four vertices would correspond to $\mathcal{E}_{VW}^I(\theta)$, $\mathcal{E}_{VW}^J(\theta)$, $\mathcal{E}_{VW}^K(\theta)$, and $\mathcal{E}_{VW}^L(\theta)$, similar to the kind shown in Fig. 2. However, instead of the edges being $\Gamma^{**}(t, \theta, \mathfrak{A}_2)$, we will have $\Gamma^{**}(t, \theta, \mathfrak{A}_4)$. And, instead of the vertices being $\mathcal{E}_{BF}^*(\theta)$, we will have $\mathcal{E}_{VW}^*(\theta)$.

Since the $\mathcal{E}_{VW}^*(\theta)$'s and $\Gamma^{**}(t, \theta, \mathfrak{A}_4)$'s are ξ -invariant and therefore, have the same value for all ξ , we have BPS worldvolumes of the kind similar to Fig. 3. This time, however, instead of the faces being $\Sigma_\pm^{**,**}(\tau, t, \theta, \mathfrak{A}_2)$ and $\Gamma^{**}(t, \theta, \mathfrak{A}_2)$, we will have $\Sigma_\pm^{**,**}(\tau, t, \theta, \mathfrak{A}_4)$ and $\Gamma^{**}(t, \theta, \mathfrak{A}_4)$. And, instead of the edges being $\mathcal{E}_{BF}^*(\theta)$, we will have $\mathcal{E}_{VW}^*(\theta)$.

The 3d Model on \mathbb{R}^3 and an Open Membrane Theory in \mathfrak{A}_4

Thus, like in §3.3, one can understand the 3d gauged sigma model with target space \mathfrak{A}_4 to define an open membrane theory in \mathfrak{A}_4 , whose *effective* worldvolume and boundaries are similar to Fig. 3, where ξ is the temporal direction, and τ and t are the spatial directions.

⁴⁶Just like in footnote 16, the ξ -invariant \mathfrak{A}_4^θ -sheets can be fixed at $\xi = \pm\infty$ by adding physically inconsequential \mathcal{Q} -exact terms to the SQM action.

5.4 Soliton String Theory, the 7d-Spin(7) Partition Function, and an FS type A_∞ -category of \mathfrak{A}_4^θ -solitons

The 2d Model as a 2d Gauged LG Model

Notice that we can also express (5.19) as

$$\begin{aligned} \frac{D(\tilde{A}_t)^{\dot{m}}}{D\xi} - k \frac{D(\tilde{A}_t)^{\dot{m}}}{D\tau} + k \left(\frac{DC^{\dot{m}}}{D\xi} - k \frac{DC^{\dot{m}}}{D\tau} \right) + iF_{\xi\tau} &= -Q^{\dot{m}} - q^{\dot{m}}, \\ \frac{DA^{\dot{m}}}{D\xi} - k_\theta \frac{DA^{\dot{m}}}{D\tau} &= -R^{\dot{m}} - r^{\dot{m}}. \end{aligned} \quad (5.21)$$

In turn, this means that we can express the action of the 2d gauged sigma model with target space $\mathcal{M}(\mathbb{R}_t, \mathfrak{A}_4)$ in (5.7) as

$$\begin{aligned} &S_{2d\text{-LG}, \mathcal{M}(\mathbb{R}_t, \mathfrak{A}_4)} \\ &= \int d\tau d\xi \left(\left| (D_\xi - kD_\tau) \left((\tilde{A}_t)^{\dot{m}} + kC^{\dot{m}} \right) + iF_{\xi\tau} + Q^{\dot{m}} + q^{\dot{m}} \right|^2 \right. \\ &\quad \left. + \left| (D_\xi - k_\theta D_\tau) \mathcal{A}^{\dot{m}} + R^{\dot{m}} + r^{\dot{m}} \right|^2 + \dots \right) \\ &= \int d\tau d\xi \left(\left| (D_\xi - kD_\tau) \left((\tilde{A}_t)^{\dot{m}} + kC^{\dot{m}} \right) + iF_{\xi\tau} + g_{\mathcal{M}(\mathbb{R}_t, \mathfrak{A}_4)}^{\dot{m}\bar{n}} \left(\frac{j\zeta}{2} \frac{\partial W_4}{\partial (\tilde{A}_t)^{\dot{n}}} \right)^* + k g_{\mathcal{M}(\mathbb{R}_t, \mathfrak{A}_4)}^{\dot{m}\bar{n}} \left(\frac{j\zeta}{2} \frac{\partial W_4}{\partial C^{\dot{n}}} \right)^* \right|^2 \right. \\ &\quad \left. + \left| (D_\xi - k_\theta D_\tau) \mathcal{A}^{\dot{m}} + g_{\mathcal{M}(\mathbb{R}_t, \mathfrak{A}_4)}^{\dot{m}\bar{n}} \left(\frac{j\zeta}{2} \frac{\partial W_4}{\partial \mathcal{A}^{\dot{n}}} \right)^* \right|^2 + \dots \right) \\ &= \int d\tau d\xi \left(\left| D_\rho \mathcal{A}^{\dot{m}} \right|^2 + \left| D_\rho C^{\dot{m}} \right|^2 + \left| D_\rho (\tilde{A}_t)^{\dot{m}} \right|^2 + \left| \frac{\partial W_4}{\partial \mathcal{A}^{\dot{m}}} \right|^2 + \left| \frac{\partial W_4}{\partial C^{\dot{m}}} \right|^2 + \left| \frac{\partial W_4}{\partial (\tilde{A}_t)^{\dot{m}}} \right|^2 + |F_{\xi\tau}|^2 + \dots \right), \end{aligned} \quad (5.22)$$

where $g_{\mathcal{M}(\mathbb{R}_t, \mathfrak{A}_4)}^{\dot{m}\bar{n}}$ is the metric on $\mathcal{M}(\mathbb{R}_t, \mathfrak{A}_4)$. In other words, the 2d gauged sigma model with target space $\mathcal{M}(\mathbb{R}_t, \mathfrak{A}_4)$ can also be interpreted as a 2d gauged LG model with target space $\mathcal{M}(\mathbb{R}_t, \mathfrak{A}_4)$ and a holomorphic superpotential $W_4(\mathcal{A}, C, \tilde{A}_t)$.

By setting $d_\xi C^{\dot{m}} = 0 = d_\xi \mathcal{A}^{\dot{m}}$ and $A_\xi, A_\tau, (\tilde{A}_t)^{\dot{m}} \rightarrow 0$ in the expression within the squared terms in (5.22), we can read off the LG $\mathcal{M}^\theta(\mathbb{R}_t, \mathfrak{A}_4)$ -soliton equations corresponding to $\sigma_\pm^{JJ, KL}(\tau, \theta, \mathfrak{A}_4)$ (that re-expresses (5.10) with $A_\xi, A_\tau, (\tilde{A}_t)^{\dot{m}} \rightarrow 0$) as

$$\begin{aligned} \frac{dC^{\dot{m}}}{d\tau} &= -g_{\mathcal{M}(\mathbb{R}_t, \mathfrak{A}_4)}^{\dot{m}\bar{n}} \left(\frac{j\zeta}{2} \frac{\partial W_4}{\partial (\tilde{A}_t)^{\dot{n}}} \right)_{\tilde{A}_t=0}^* - k g_{\mathcal{M}(\mathbb{R}_t, \mathfrak{A}_4)}^{\dot{m}\bar{n}} \left(\frac{j\zeta}{2} \frac{\partial W_4}{\partial C^{\dot{n}}} \right)_{\tilde{A}_t=0}^*, \\ \frac{d\mathcal{A}^{\dot{m}}}{d\tau} &= -k_\theta g_{\mathcal{M}(\mathbb{R}_t, \mathfrak{A}_4)}^{\dot{m}\bar{n}} \left(\frac{j\zeta}{2} \frac{\partial W_4}{\partial \mathcal{A}^{\dot{n}}} \right)_{\tilde{A}_t=0}^*. \end{aligned} \quad (5.23)$$

By setting $d_\tau C^{\dot{m}} = 0 = d_\tau \mathcal{A}^{\dot{m}}$ in (5.23), we get the LG $\mathcal{M}^\theta(\mathbb{R}_t, \mathfrak{A}_4)$ -soliton endpoint equations

corresponding to $\sigma^{IJ,KL}(\pm\infty, \theta, \mathfrak{A}_4)$ (that re-expresses (5.15)) as

$$\begin{aligned} g_{\mathcal{M}(\mathbb{R}_t, \mathfrak{A}_4)}^{\check{m}\check{n}} \left(\frac{j\zeta}{2} \frac{\partial W_4}{\partial(\check{A}_t)^{\check{n}}} \right)_{\check{A}_t=0}^* + k g_{\mathcal{M}(\mathbb{R}_t, \mathfrak{A}_4)}^{\check{m}\check{n}} \left(\frac{j\zeta}{2} \frac{\partial W_4}{\partial C^{\check{n}}} \right)_{\check{A}_t=0}^* &= 0, \\ k_\theta g_{\mathcal{M}(\mathbb{R}_t, \mathfrak{A}_4)}^{\check{m}\check{n}} \left(\frac{j\zeta}{2} \frac{\partial W_4}{\partial \mathcal{A}^{\check{n}}} \right)_{\check{A}_t=0}^* &= 0. \end{aligned} \quad (5.24)$$

Recall from the end of §5.2 that we are only considering certain CY_2 such that the θ -deformed VW configurations are isolated and non-degenerate. Next, recall also that such configurations will correspond to the endpoints of the \mathfrak{A}_4^θ -solitons; therefore, just like their endpoints, these \mathfrak{A}_4^θ -solitons would be isolated and non-degenerate. As these \mathfrak{A}_4^θ -solitons will correspond, in the 2d gauged sigma model, to the endpoints of the $\mathcal{M}^\theta(\mathbb{R}_t, \mathfrak{A}_4)$ -solitons, i.e., $\sigma^{IJ,KL}(\pm\infty, \theta, \mathfrak{A}_4)$, this means the latter are also isolated and non-degenerate. Thus, from their definition in (5.24) which tells us that they are critical points of $W_4(\mathcal{A}, C, \check{A}_t)$, we conclude that $W_4(\mathcal{A}, C, \check{A}_t)$ can be regarded as a holomorphic Morse function in $\mathcal{M}(\mathbb{R}_t, \mathfrak{A}_4)$.

Just like in §3.4, an LG $\mathcal{M}^\theta(\mathbb{R}_t, \mathfrak{A}_4)$ -soliton defined in (5.23) maps to a straight line in the complex W_4 -plane that starts and ends at the critical values $W_4^{IJ}(\theta) \equiv W_4(\sigma^{IJ}(-\infty, \theta, \mathfrak{A}_4))$ and $W_4^{KL}(\theta) \equiv W_4(\sigma^{KL}(-\infty, \theta, \mathfrak{A}_4))$, respectively, where its slope depends on θ (via ζ). We shall also assume that $\text{Re}(W_4^{IJ}(\theta)) < \text{Re}(W_4^{KL}(\theta))$ and that $I \neq J$, $J \neq K$, and $K \neq L$.

The 2d Gauged LG Model as an LG SQM

With suitable rescalings, we can recast (5.22) as a 1d LG SQM (that re-expresses (5.9)), where its action will be given by⁴⁷

$$\begin{aligned} S_{2\text{d-LG SQM}, \mathcal{M}(\mathbb{R}_\tau, \mathcal{M}(\mathbb{R}_t, \mathfrak{A}_4))} &= \int d\xi \left(\left| (d_\xi \check{A}^{\check{u}} + k d_\xi C^{\check{u}}) + \left(g_{\mathcal{M}(\mathbb{R}_\tau, \mathcal{M}(\mathbb{R}_t, \mathfrak{A}_4))}^{\check{u}\check{v}} \frac{\partial H_4}{\partial \check{A}^{\check{v}}} + k g_{\mathcal{M}(\mathbb{R}_\tau, \mathcal{M}(\mathbb{R}_t, \mathfrak{A}_4))}^{\check{u}\check{v}} \frac{\partial H_4}{\partial C^{\check{v}}} \right) \right|^2 \right. \\ &\quad \left. + \left| d_\xi \mathcal{A}^{\check{u}} + g_{\mathcal{M}(\mathbb{R}_\tau, \mathcal{M}(\mathbb{R}_t, \mathfrak{A}_4))}^{\check{u}\check{v}} \frac{\partial H_4}{\partial \mathcal{A}^{\check{v}}} \right|^2 + \dots \right), \end{aligned} \quad (5.25)$$

where $H_4(\mathcal{A}, C, \check{A})$ is the *real-valued* potential in $\mathcal{M}(\mathbb{R}_\tau, \mathcal{M}(\mathbb{R}_t, \mathfrak{A}_4))$, and the subscript “2d-LG SQM, $\mathcal{M}(\mathbb{R}_\tau, \mathcal{M}(\mathbb{R}_t, \mathfrak{A}_4))$ ” is to specify that it is a 1d SQM in $\mathcal{M}(\mathbb{R}_\tau, \mathcal{M}(\mathbb{R}_t, \mathfrak{A}_4))$ obtained from the equivalent 2d LG model. We will also refer to this *1d* LG SQM as “2d-LG SQM” in the rest of this subsection.

The 2d-LG SQM will localize onto configurations that *simultaneously* set to zero the LHS and RHS of the expression within the squared terms in (5.25). In other words, it will localize onto ξ -invariant critical points of $H_4(\mathcal{A}, C, \check{A})$ that will correspond to the LG $\mathcal{M}^\theta(\mathbb{R}_t, \mathfrak{A}_4)$ -solitons defined by (5.23). For our choice of CY_2 , the LG $\mathcal{M}^\theta(\mathbb{R}_t, \mathfrak{A}_4)$ -solitons, just like their endpoints, will be isolated and non-degenerate. Thus, $H_4(\mathcal{A}, C, \check{A})$ can be regarded as a real-valued Morse functional in $\mathcal{M}(\mathbb{R}_\tau, \mathcal{M}(\mathbb{R}_t, \mathfrak{A}_4))$.

⁴⁷In the following expression, we have integrated out A_ξ and omitted the fields corresponding to the finite-energy gauge fields $A_{\{t, \tau\}}$ (as explained in footnote 13).

Morphisms from $\gamma^{IJ}(\theta, \mathfrak{A}_4)$ to $\gamma^{KL}(\theta, \mathfrak{A}_4)$ as Floer Homology Classes of Intersecting Thimbles

Repeating here the analysis in §3.4 with (5.25) as the action of the 2d-LG SQM, we find that we can interpret the LG $\mathcal{M}^\theta(\mathbb{R}_t, \mathfrak{A}_4)$ -soliton solution $\sigma_\pm^{IJ, KL}(\tau, \theta, \mathfrak{A}_4)$ as intersections of thimbles. Specifically, a $\sigma_\pm^{IJ, KL}(\tau, \theta, \mathfrak{A}_4)$ -soliton pair, whose left and right endpoints correspond to $\gamma^{IJ}(\theta, \mathfrak{A}_4)$ and $\gamma^{KL}(\theta, \mathfrak{A}_4)$, respectively, can be identified as a pair of intersection points $p_{\text{VW}, \pm}^{IJ, KL}(\theta) \in S_{\text{VW}}^{IJ} \cap S_{\text{VW}}^{KL}$ of a left and right thimble in the fiber space over the line segment $[W_4^{IJ}(\theta), W_4^{KL}(\theta)]$.

This means that the 2d-LG SQM in $\mathcal{M}(\mathbb{R}_\tau, \mathcal{M}(\mathbb{R}_t, \mathfrak{A}_4))$ with action (5.25), will physically realize a Floer homology that we shall name an $\mathcal{M}(\mathbb{R}_t, \mathfrak{A}_4)$ -LG Floer homology. The chains of the $\mathcal{M}(\mathbb{R}_t, \mathfrak{A}_4)$ -LG Floer complex will be generated by LG $\mathcal{M}^\theta(\mathbb{R}_t, \mathfrak{A}_4)$ -solitons which we can identify with $p_{\text{VW}, \pm}^{**, **}(\theta)$, and the $\mathcal{M}(\mathbb{R}_t, \mathfrak{A}_4)$ -LG Floer differential will be realized by the flow lines governed by the gradient flow equations satisfied by the ξ -varying configurations which set the expression within the squared terms in (5.25) to zero. The partition function of the 2d-LG SQM in $\mathcal{M}(\mathbb{R}_\tau, \mathcal{M}(\mathbb{R}_t, \mathfrak{A}_4))$ will then be given by⁴⁸

$$\mathcal{Z}_{\text{2d-LG SQM}, \mathcal{M}(\mathbb{R}_\tau, \mathcal{M}(\mathbb{R}_t, \mathfrak{A}_4))}(G) = \sum_{I \neq J \neq K \neq L = 1}^n \sum_{p_{\text{VW}, \pm}^{IJ, KL} \in S_{\text{VW}}^{IJ} \cap S_{\text{VW}}^{KL}} \text{HF}_{d_v}^G(p_{\text{VW}, \pm}^{IJ, KL}(\theta)). \quad (5.26)$$

Here, the contribution $\text{HF}_{d_v}^G(p_{\text{VW}, \pm}^{IJ, KL}(\theta))$ can be identified with a homology class in an $\mathcal{M}(\mathbb{R}_t, \mathfrak{A}_4)$ -LG Floer homology generated by intersection points of thimbles. These intersection points represent LG $\mathcal{M}^\theta(\mathbb{R}_t, \mathfrak{A}_4)$ -solitons defined by (5.23), whose endpoints correspond to θ -deformed, non-constant paths in $\mathcal{M}(\mathbb{R}_t, \mathfrak{A}_4)$ defined by (5.24). The degree of each chain in the complex is d_v , and is counted by the number of outgoing flow lines from the fixed critical points of $H_4(\mathcal{A}, C, \check{A})$ in $\mathcal{M}(\mathbb{R}_\tau, \mathcal{M}(\mathbb{R}_t, \mathfrak{A}_4))$ which can also be identified as $p_{\text{VW}, \pm}^{IJ, KL}(\theta)$.

Therefore, $\mathcal{Z}_{\text{2d-LG SQM}, \mathcal{M}(\mathbb{R}_\tau, \mathcal{M}(\mathbb{R}_t, \mathfrak{A}_4))}(G)$ in (5.26) is a sum of LG $\mathcal{M}^\theta(\mathbb{R}_t, \mathfrak{A}_4)$ -solitons defined by (5.23) with endpoints (5.24), or equivalently, $\sigma_\pm^{IJ, KL}(\tau, \theta, \mathfrak{A}_4)$ -solitons defined by (5.10) (with $A_\xi, A_\tau, (\check{A}_t)^{\check{m}} \rightarrow 0$) with endpoints (5.15), whose start and end correspond to the non-constant paths $\gamma^{IJ}(\theta, \mathfrak{A}_4)$ and $\gamma^{KL}(\theta, \mathfrak{A}_4)$, respectively. In other words, we can write

$$\text{CF}_{\mathcal{M}(\mathbb{R}_t, \mathfrak{A}_4)}(\gamma^{IJ}(\theta, \mathfrak{A}_4), \gamma^{KL}(\theta, \mathfrak{A}_4))_\pm = \text{HF}_{d_v}^G(p_{\text{VW}, \pm}^{IJ, KL}(\theta)), \quad (5.27)$$

where $\text{CF}_{\mathcal{M}(\mathbb{R}_t, \mathfrak{A}_4)}(\gamma^{IJ}(\theta, \mathfrak{A}_4), \gamma^{KL}(\theta, \mathfrak{A}_4))_\pm$ is a vector representing a $\sigma_\pm^{IJ, KL}(\tau, \theta, \mathfrak{A}_4)$ -soliton, such that $\text{Re}(W_4^{IJ}(\theta)) < \text{Re}(W_4^{KL}(\theta))$. This will lead us to the following one-to-one identification⁴⁹

$$\boxed{\text{Hom}(\gamma^{IJ}(\mathfrak{A}_4), \gamma^{KL}(\mathfrak{A}_4))_\pm \iff \text{HF}_{d_v}^G(p_{\text{VW}, \pm}^{IJ, KL})} \quad (5.28)$$

where the RHS is proportional to the identity class when $I = K$ and $J = L$, and zero when $I \leftrightarrow K$ and $J \leftrightarrow L$ (since the $\sigma_\pm^{IJ, KL}(\tau, \theta, \mathfrak{A}_4)$ -soliton only moves in one direction from $\gamma^{IJ}(\theta, \mathfrak{A}_4)$ to $\gamma^{KL}(\theta, \mathfrak{A}_4)$).

⁴⁸The ‘ θ ’ label is omitted in the LHS of the following expression (as explained in footnote 19).

⁴⁹The ‘ θ ’ label is omitted in the following expression (as explained in footnote 20).

Soliton String Theory from the 2d LG model

Just like in §3.4, the 2d gauged LG model in $\mathcal{M}(\mathbb{R}_t, \mathfrak{A}_4)$ with action (5.22) can be interpreted as a soliton string theory in $\mathcal{M}(\mathbb{R}_t, \mathfrak{A}_4)$. The dynamics of this soliton string theory in $\mathcal{M}(\mathbb{R}_t, \mathfrak{A}_4)$ will be governed by the BPS worldsheet equations of (5.21), where $(\mathcal{A}^{\dot{m}}, C^{\dot{m}}, (\tilde{A}_t)^{\dot{m}})$ are scalars on the worldsheet corresponding to the holomorphic coordinates of $\mathcal{M}(\mathbb{R}_t, \mathfrak{A}_4)$. At an arbitrary instant in time whence $d_\xi \mathcal{A}^{\dot{m}} = d_\xi C^{\dot{m}} = 0 = d_\xi (\tilde{A}_t)^{\dot{m}} = d_\xi A_\tau$ in (5.21), the dynamics of $(\mathcal{A}^{\dot{m}}, C^{\dot{m}}, (\tilde{A}_t)^{\dot{m}})$ and the 2d gauge fields (A_τ, A_ξ) along τ will be governed by the soliton equations

$$\begin{aligned} \frac{d(\tilde{A}_t)^{\dot{m}}}{d\tau} + k \frac{dC^{\dot{m}}}{d\tau} - j \frac{dA_\xi}{d\tau} &= -k[A_\xi - kA_\tau, (\tilde{A}_t)^{\dot{m}} + kC^{\dot{m}}] + j[A_\tau, A_\xi] \\ &\quad - k g_{\mathcal{M}(\mathbb{R}_t, \mathfrak{A}_4)}^{\dot{m}\bar{n}} \left(\frac{j\zeta}{2} \frac{\partial W_4}{\partial (\tilde{A}_t)^{\dot{n}}} \right)^* + g_{\mathcal{M}(\mathbb{R}_t, \mathfrak{A}_4)}^{\dot{m}\bar{n}} \left(\frac{j\zeta}{2} \frac{\partial W_4}{\partial C^{\dot{n}}} \right)^* , \\ k_\theta \frac{d\mathcal{A}^{\dot{m}}}{d\tau} &= [A_\xi - k_\theta A_\tau, \mathcal{A}^{\dot{m}}] + g_{\mathcal{M}(\mathbb{R}_t, \mathfrak{A}_4)}^{\dot{m}\bar{n}} \left(\frac{j\zeta}{2} \frac{\partial W_4}{\partial \mathcal{A}^{\dot{n}}} \right)^* . \end{aligned} \quad (5.29)$$

The Normalized 7d-Spin(7) Partition Function, LG $\mathcal{M}^\theta(\mathbb{R}_t, \mathfrak{A}_4)$ -soliton String Scattering, and Maps of an A_∞ -structure

Since our 7d-Spin(7) theory, which was derived from Spin(7) theory, is also semi-classical, its normalized 7d partition function will also be a sum over tree-level scattering amplitudes of the LG $\mathcal{M}^\theta(\mathbb{R}_t, \mathfrak{A}_4)$ -soliton strings defined by (5.23). The BPS worldsheet underlying such a tree-level scattering is similar to Fig. 4, where instead of the endpoints of each string being $\gamma^{**}(\mathfrak{A}_2)$, it is now $\gamma^{**}(\mathfrak{A}_4)$.

In other words, we can, like in (3.49), express the normalized 7d-Spin(7) partition function as

$$\tilde{\mathcal{Z}}_{7\text{d-Spin}(7), \text{CY}_2 \times \mathbb{R}^3}(G) = \sum_{\mathfrak{N}_n} \mu_{\mathfrak{A}_4}^{\mathfrak{N}_n}, \quad \mathfrak{N}_n = \begin{cases} 1, 2, \dots, \frac{n-2}{2}, & n \text{ even} \\ 1, 2, \dots, \frac{n-3}{2}, & n \text{ odd} \end{cases} \quad (5.30)$$

where each

$$\boxed{\mu_{\mathfrak{A}_4}^{\mathfrak{N}_n} : \bigotimes_{i=1}^{\mathfrak{N}_n} \text{Hom}(\gamma^{I_{2i-1}I_{2i}}(\mathfrak{A}_4), \gamma^{I_{2(i+1)-1}I_{2(i+1)}}(\mathfrak{A}_4))_- \longrightarrow \text{Hom}(\gamma^{I_1I_2}(\mathfrak{A}_4), \gamma^{I_{2\mathfrak{N}_n+1}I_{2\mathfrak{N}_n+2}}(\mathfrak{A}_4))_+} \quad (5.31)$$

is a scattering amplitude of \mathfrak{N}_n incoming LG $\mathcal{M}^\theta(\mathbb{R}_t, \mathfrak{A}_4)$ -soliton strings $\text{Hom}(\gamma^{I_1I_2}(\mathfrak{A}_4), \gamma^{I_3I_4}(\mathfrak{A}_4))_-$, \dots , $\text{Hom}(\gamma^{I_{2\mathfrak{N}_n-1}I_{2\mathfrak{N}_n}}(\mathfrak{A}_4), \gamma^{I_{2\mathfrak{N}_n+1}I_{2\mathfrak{N}_n+2}}(\mathfrak{A}_4))_-$, and a single outgoing LG $\mathcal{M}^\theta(\mathbb{R}_t, \mathfrak{A}_4)$ -soliton string $\text{Hom}(\gamma^{I_1I_2}(\mathfrak{A}_4), \gamma^{I_{2\mathfrak{N}_n+1}I_{2\mathfrak{N}_n+2}}(\mathfrak{A}_4))_+$, with left and right boundaries as labeled, whose underlying worldsheet can be regarded as a disc with $\mathfrak{N}_n + 1$ vertex operators at the boundary. In short, $\mu_{\mathfrak{A}_4}^{\mathfrak{N}_n}$ counts pseudoholomorphic discs with $\mathfrak{N}_n + 1$ punctures at the boundary that are mapped to $\mathcal{M}(\mathbb{R}_t, \mathfrak{A}_4)$ according to the BPS worldsheet equations (5.21).

Just as in §3.4, the collection of $\mu_{\mathfrak{A}_4}^{\mathfrak{N}_n}$ maps in (5.31) can be regarded as composition maps defining an A_∞ -structure.

An FS type A_∞ -category of \mathfrak{A}_4^θ -solitons

Altogether, this means that the normalized partition function of 7d-Spin(7) theory on $CY_2 \times \mathbb{R}^3$ as expressed in (5.30), manifests a *novel* FS type A_∞ -category defined by the $\mu_{\mathfrak{A}_4}^{\mathfrak{N}_n}$ maps (5.31) and the one-to-one identification (5.28), where the $\mathfrak{N}_n + 1$ number of objects $\{\gamma^{I_1 I_2}(\mathfrak{A}_4), \gamma^{I_3 I_4}(\mathfrak{A}_4), \dots, \gamma^{I_{2\mathfrak{N}_n+1} I_{2\mathfrak{N}_n+2}}(\mathfrak{A}_4)\}$ correspond to \mathfrak{A}_4^θ -solitons with endpoints themselves corresponding to (θ -deformed) VW configurations on CY_2 !

5.5 Soliton Membrane Theory, the 7d-Spin(7) Partition Function, and a Fueter type A_∞ -2-category 2-categorifying the HW Floer Homology of CY_2

Note that we can also express (5.20) (corresponding to (5.19) in the 2d gauged sigma model) as

$$\begin{aligned} i\frac{DC^{\hat{a}}}{D\xi} + j\frac{DC^{\hat{a}}}{D\tau} + k\frac{DC^{\hat{a}}}{Dt} + iF_{\tau t} + jF_{t\xi} + kF_{\xi\tau} &= -jq^{\hat{a}} \\ ie^{-i\theta}\frac{DA^{\hat{a}}}{D\xi} + j\frac{DA^{\hat{a}}}{D\tau} + k\frac{DA^{\hat{a}}}{Dt} &= -ie^{-i\theta}r^{\hat{a}}, \end{aligned} \quad (5.32)$$

which are non-constant, θ -deformed, gauged Fueter equations for the $(A^{\hat{a}}, C^{\hat{a}})$ fields (that will correspond to (5.21) in the 2d gauged LG model). In turn, this means that we can express the action of the 3d gauged sigma model with target space \mathfrak{A}_4 in (5.5) as

$$\begin{aligned} S_{3d-LG, \mathfrak{A}_4} &= \frac{1}{e^2} \int dt d\tau d\xi \left(\left| iD_\xi C^{\hat{a}} + jD_\tau C^{\hat{a}} + kD_t C^{\hat{a}} + iF_{\tau t} + jF_{t\xi} + kF_{\xi\tau} + jq^{\hat{a}} \right|^2 \right. \\ &\quad \left. + \left| ie^{-i\theta} D_\xi A^{\hat{a}} + jD_\tau A^{\hat{a}} + kD_t A^{\hat{a}} + ie^{-i\theta} r^{\hat{a}} \right|^2 + \dots \right) \\ &= \frac{1}{e^2} \int dt d\tau d\xi \left(\left| iD_\xi C^{\hat{a}} + jD_\tau C^{\hat{a}} + kD_t C^{\hat{a}} + iF_{\tau t} + jF_{t\xi} + kF_{\xi\tau} - g_{\mathfrak{A}_4}^{\hat{a}\bar{b}} \left(\frac{j\zeta}{2} \frac{\partial \mathcal{W}_4}{\partial C^{\hat{a}}} \right)^* \right|^2 \right. \\ &\quad \left. + \left| ie^{-i\theta} D_\xi A^{\hat{a}} + jD_\tau A^{\hat{a}} + kD_t A^{\hat{a}} - g_{\mathfrak{A}_4}^{\hat{a}\bar{b}} \left(\frac{i\zeta}{2} \frac{\partial \mathcal{W}_4}{\partial A^{\hat{a}}} \right)^* \right|^2 + \dots \right) \\ &= \frac{1}{e^2} \int dt d\tau d\xi \left(|D_\rho A^{\hat{a}}|^2 + |D_\rho C^{\hat{a}}|^2 + \left| \frac{\partial \mathcal{W}_4}{\partial A^{\hat{a}}} \right|^2 + \left| \frac{\partial \mathcal{W}_4}{\partial C^{\hat{a}}} \right|^2 + |F_{\tau t}|^2 + |F_{t\xi}|^2 + |F_{\xi\tau}|^2 + \dots \right), \end{aligned} \quad (5.33)$$

where $g_{\mathfrak{A}_4}$ is the metric on \mathfrak{A}_4 . In other words, our 3d gauged sigma model can also be interpreted as a 3d gauged LG model in \mathfrak{A}_4 with holomorphic superpotential $\mathcal{W}_4(A, C)$.

By setting $d_\xi C^{\hat{a}} = 0 = d_\xi A^{\hat{a}}$ and $A_t, A_\tau, A_\xi \rightarrow 0$ in the expression within the squared terms in (5.33), we can read off the LG \mathfrak{A}_4^θ -sheet equations corresponding to $\Sigma_\pm^{IJ, KL}(\tau, t, \theta, \mathfrak{A}_4)$ (that re-expresses (5.11) with $A_t, A_\tau, A_\xi \rightarrow 0$) as

$$\begin{aligned} j\frac{dC^{\hat{a}}}{d\tau} + k\frac{dC^{\hat{a}}}{dt} &= g_{\mathfrak{A}_4}^{\hat{a}\bar{b}} \left(\frac{j\zeta}{2} \frac{\partial \mathcal{W}_4}{\partial C^{\hat{a}}} \right)^*, \\ j\frac{dA^{\hat{a}}}{d\tau} + k\frac{dA^{\hat{a}}}{dt} &= g_{\mathfrak{A}_4}^{\hat{a}\bar{b}} \left(\frac{i\zeta}{2} \frac{\partial \mathcal{W}_4}{\partial A^{\hat{a}}} \right)^*. \end{aligned} \quad (5.34)$$

By setting $d_\tau C^{\hat{a}} = 0 = d_\tau A^{\hat{a}}$ in (5.34), we can read off the LG \mathfrak{A}_4^θ -soliton equations cor-

responding to $\Gamma^{IJ}(t, \theta, \mathfrak{A}_4)$ and $\Gamma^{KL}(t, \theta, \mathfrak{A}_4)$, or equivalently, the LG \mathfrak{A}_4^θ -sheets edge equations corresponding to $\Sigma^{IJ, KL}(\pm\infty, t, \theta, \mathfrak{A}_4)$, (that re-expresses (5.16)) as

$$\begin{aligned} k \frac{dC^{\dot{a}}}{dt} &= g_{\mathfrak{A}_4}^{\dot{a}\bar{b}} \left(\frac{j\zeta}{2} \frac{\partial \mathcal{W}_4}{\partial C^{\dot{a}}} \right)^* \\ k \frac{d\mathcal{A}^{\dot{a}}}{dt} &= g_{\mathfrak{A}_4}^{\dot{a}\bar{b}} \left(\frac{i\zeta}{2} \frac{\partial \mathcal{W}_4}{\partial \mathcal{A}^{\dot{a}}} \right)^* \end{aligned} \quad (5.35)$$

By setting $d_t C^{\dot{a}} = 0 = d_t \mathcal{A}^{\dot{a}}$ in (5.35), we can read off the LG \mathfrak{A}_4^θ -soliton endpoint equations corresponding to $\Gamma^{**}(\pm\infty, \theta, \mathfrak{A}_4)$, or equivalently, the LG \mathfrak{A}_4^θ -sheet vertex equations corresponding to $\Sigma^{IJ, KL}(\pm\infty, \pm\infty, \theta, \mathfrak{A}_4)$ and $\Sigma^{IJ, KL}(\pm\infty, \mp\infty, \theta, \mathfrak{A}_4)$, (that re-expresses (5.16) with $d_t C^{\dot{a}} = 0 = d_t \mathcal{A}^{\dot{a}}$) as

$$g_{\mathfrak{A}_4}^{\dot{a}\bar{b}} \left(\frac{j\zeta}{2} \frac{\partial \mathcal{W}_4}{\partial C^{\dot{a}}} \right)^* = 0, \quad g_{\mathfrak{A}_4}^{\dot{a}\bar{b}} \left(\frac{i\zeta}{2} \frac{\partial \mathcal{W}_4}{\partial \mathcal{A}^{\dot{a}}} \right)^* = 0. \quad (5.36)$$

Recall from the end of §5.2 that we are only considering certain CY_2 such that (the endpoints $\Gamma^{**}(\pm\infty, \theta, \mathfrak{A}_4)$ and thus) the LG \mathfrak{A}_4^θ -solitons, and effectively, (the vertices $\Sigma^{IJ, KL}(\pm\infty, \pm\infty, \theta, \mathfrak{A}_4)$, $\Sigma^{IJ, KL}(\pm\infty, \mp\infty, \theta, \mathfrak{A}_4)$ and thus) the LG \mathfrak{A}_4^θ -sheets, are isolated and non-degenerate. Therefore, from their definition in (5.36) which tells us that they correspond to critical points of $\mathcal{W}_4(\mathcal{A}, C)$, we conclude that $\mathcal{W}_4(\mathcal{A}, C)$ can be regarded as a holomorphic Morse function in \mathfrak{A}_4 .

Just like in §3.5, this means that an LG \mathfrak{A}_4^θ -soliton $\Gamma^{IJ}(t, \theta, \mathfrak{A}_4)$ defined in (5.35) maps to a straight line segment $[\mathcal{W}_4^I(\theta), \mathcal{W}_4^J(\theta)]$ in the complex \mathcal{W}_4 -plane that starts and ends at critical values $\mathcal{W}_4^I(\theta) \equiv \mathcal{W}_4(\Gamma^I(-\infty, \theta, \mathfrak{A}_4))$ and $\mathcal{W}_4^J(\theta) \equiv \mathcal{W}_4(\Gamma^J(+\infty, \theta, \mathfrak{A}_4))$, respectively, where its slope depends on θ (via ζ). Therefore, an LG \mathfrak{A}_4^θ -sheet defined in (5.34) maps to a quadrilateral in the complex \mathcal{W}_4 -plane, whose edges are the straight line segments that the LG \mathfrak{A}_4^θ -solitons map to, and whose bottom-left, top-left, bottom-right, and top-right vertices are the critical points $\mathcal{W}_4^I(\theta) \equiv \mathcal{W}_4(\Sigma^I(-\infty, -\infty, \theta, \mathfrak{A}_4))$, $\mathcal{W}_4^J(\theta) \equiv \mathcal{W}_4(\Sigma^J(-\infty, +\infty, \theta, \mathfrak{A}_4))$, $\mathcal{W}_4^K(\theta) \equiv \mathcal{W}_4(\Sigma^K(+\infty, -\infty, \theta, \mathfrak{A}_4))$, and $\mathcal{W}_4^L(\theta) \equiv \mathcal{W}_4(\Sigma^L(+\infty, +\infty, \theta, \mathfrak{A}_4))$, respectively, where the slope of the straight line segments between each left-right vertex pair depends on θ (via ζ).

We shall also assume that $\text{Re}(\mathcal{W}_4^I(\theta)) < \{\text{Re}(\mathcal{W}_4^J(\theta)), \text{Re}(\mathcal{W}_4^K(\theta))\} < \text{Re}(\mathcal{W}_4^L(\theta))$.

The 3d Gauged LG Model as an LG SQM

Last but not least, after suitable rescalings, we can recast (5.33) as a 1d LG SQM (that re-expresses (5.9)), where its action will be given by⁵⁰

$$S_{\text{3d-LG SQM}, \mathcal{M}(\mathbb{R}^2, \mathfrak{A}_4)} = \frac{1}{e^2} \int d\xi \left(\left| i \frac{dC^{\dot{a}}}{d\xi} + g_{\mathcal{M}(\mathbb{R}^2, \mathfrak{A}_4)}^{\dot{a}\bar{b}} \frac{\partial \mathfrak{F}_4}{\partial C^{\dot{a}}} \right|^2 + \left| i \frac{d\mathcal{A}^{\dot{a}}}{d\xi} + g_{\mathcal{M}(\mathbb{R}^2, \mathfrak{A}_4)}^{\dot{a}\bar{b}} \frac{\partial \mathfrak{F}_4}{\partial \mathcal{A}^{\dot{a}}} \right|^2 + \dots \right). \quad (5.37)$$

Here, $\mathfrak{F}_4(\mathcal{A}, C)$ is the *real-valued* potential in $\mathcal{M}(\mathbb{R}^2, \mathfrak{A}_4)$, and the subscript “3d-LG SQM, $\mathcal{M}(\mathbb{R}^2, \mathfrak{A}_4)$ ” is to specify that it is a 1d SQM with target space $\mathcal{M}(\mathbb{R}^2, \mathfrak{A}_4)$ obtained from the equivalent 3d LG model. We will also refer to this 1d LG SQM as “3d-LG SQM” in the rest of this subsection.

⁵⁰In the following expression, we have integrated out A_ξ and omitted the fields corresponding to the finite-energy gauge fields $A_{\{t, \tau\}}$ (as explained in footnote 13).

The 3d-LG SQM will localize onto configurations that *simultaneously* set to zero the LHS and RHS of the expression within the squared terms in (5.37). In other words, it will localize onto ξ -invariant critical points of $\mathfrak{F}_4(\mathcal{A}, C)$ that will correspond to the LG \mathfrak{A}_4^θ -sheets defined by (5.34). For our choice of CY_2 , the LG \mathfrak{A}_4^θ -sheets, just like their vertices, will be isolated and non-degenerate. Thus, $\mathfrak{F}_4(\mathcal{A}, C)$ can be regarded as a *real-valued* Morse functional in $\mathcal{M}(\mathbb{R}^2, \mathfrak{A}_4)$.

Morphisms between \mathfrak{A}_4^θ -solitons as Intersection Floer Homology Classes

Repeating here the analysis in §3.5 with (5.37) as the action of the 3d-LG SQM, we find that we can interpret the LG \mathfrak{A}_4^θ -soliton solution $\Gamma^{IJ}(t, \theta, \mathfrak{A}_4)$ as a thimble-intersection, and the LG \mathfrak{A}_4^θ -sheet solution $\Sigma_{\pm}^{IJ, KL}(\tau, t, \theta, \mathfrak{A}_4)$ as an intersection of thimble-intersections.

Specifically, a $\Gamma^{IJ}(t, \theta, \mathfrak{A}_4)$ -soliton, whose bottom and top endpoints correspond to $\mathcal{E}_{\text{VW}}^I(\theta)$ and $\mathcal{E}_{\text{VW}}^J(\theta)$, respectively, can be identified as an intersection point $q_{\text{VW}, \pm}^{IJ}(\theta) \in S_{\text{VW}}^{IJ}(\theta)$ of a bottom and top thimble in the fiber space over the line segment $[\mathcal{W}_4^I(\theta), \mathcal{W}_4^J(\theta)]$. As a result, a $\Sigma_{\pm}^{IJ, KL}(\tau, t, \theta, \mathfrak{A}_4)$ -sheet pair, whose left and right edges correspond to $\Gamma^{IJ}(t, \theta, \mathfrak{A}_4)$ and $\Gamma^{KL}(t, \theta, \mathfrak{A}_4)$, respectively, can be identified as a pair of intersection points $\{q_{\text{VW}, \pm}^{IJ}(\theta), q_{\text{VW}, \pm}^{KL}(\theta)\} =: P_{\text{VW}, \pm}^{IJ, KL}(\theta) \in S_{\text{VW}}^{IJ}(\theta) \cap S_{\text{VW}}^{KL}(\theta)$ of a left and right thimble-intersection in the fiber space over the quadrilateral with vertices $(\mathcal{W}_4^I(\theta), \mathcal{W}_4^J(\theta), \mathcal{W}_4^K(\theta), \mathcal{W}_4^L(\theta))$.

At any rate, the 3d-LG SQM in $\mathcal{M}(\mathbb{R}^2, \mathfrak{A}_4)$ with action (5.37) will physically realize a Floer homology that we shall name an \mathfrak{A}_4 -LG Floer homology. The chains of the \mathfrak{A}_4 -LG Floer complex are generated by LG \mathfrak{A}_4^θ -sheets which we can thus identify with $P_{\text{VW}, \pm}^{**, **}(\theta)$, and the \mathfrak{A}_4 -LG Floer differential will be realized by the flow lines governed by the gradient flow equations satisfied by ξ -varying configurations which set the expression within the squared terms of (5.37) to zero. The partition function of the 3d-LG SQM in $\mathcal{M}(\mathbb{R}^2, \mathfrak{A}_4)$ will be given by⁵¹

$$\mathcal{Z}_{\text{3d-LG SQM}, \mathcal{M}(\mathbb{R}^2, \mathfrak{A}_4)}(G) = \sum_{I \neq J \neq K \neq L = 1}^n \sum_{\substack{P_{\text{VW}, \pm}^{IJ, KL} \\ \in S_{\text{VW}}^{IJ} \cap S_{\text{VW}}^{KL}}} \text{HF}_{d_v}^G(P_{\text{VW}, \pm}^{IJ, KL}(\theta)), \quad (5.38)$$

where the contribution $\text{HF}_{d_v}^G(P_{\text{VW}, \pm}^{IJ, KL}(\theta))$ can be identified with a homology class in an \mathfrak{A}_4 -LG Floer homology generated by intersection points of thimble-intersections. These intersection points represent LG \mathfrak{A}_4^θ -sheets defined by (5.34), whose edges correspond to LG \mathfrak{A}_4^θ -solitons defined by (5.35), and whose vertices defined by (5.36) will correspond to θ -deformed VW configurations on CY_2 . The degree of each chain in the complex is d_v , and is counted by the number of outgoing flow lines from the fixed critical points of $\mathfrak{F}_4(\mathcal{A}, C)$ in $\mathcal{M}(\mathbb{R}^2, \mathfrak{A}_4)$ which can also be identified as $P_{\text{VW}, \pm}^{IJ, KL}(\theta)$.

Therefore, $\mathcal{Z}_{\text{3d-LG SQM}, \mathcal{M}(\mathbb{R}^2, \mathfrak{A}_4)}(G)$ in (5.38) is a sum of LG \mathfrak{A}_4^θ -sheets defined by (i) (5.34) with (ii) edges (5.35) and (iii) vertices (5.36), or equivalently, $\Sigma_{\pm}^{IJ, KL}(\tau, t, \theta, \mathfrak{A}_2)$ -sheets defined by (i) (5.11) and (5.12) (with $A_t, A_\tau, A_\xi \rightarrow 0$) with (ii) edges (5.16) and (iii) vertices (5.16) (with $d_t C^{\hat{a}} = 0 = d_t A^{\hat{a}}$), respectively. In other words, we can write

$$\text{CF}_{\mathcal{M}(\mathbb{R}^2, \mathfrak{A}_4)}(\Gamma^{IJ}(t, \theta, \mathfrak{A}_4), \Gamma^{KL}(t, \theta, \mathfrak{A}_4))_{\pm} = \text{HF}_{d_v}^G(P_{\text{VW}, \pm}^{IJ, KL}(\theta)), \quad (5.39)$$

⁵¹The ‘ θ ’ label is omitted in the LHS of the following expression (as explained in footnote 19).

where $\text{CF}_{\mathcal{M}(\mathbb{R}^2, \mathfrak{A}_4)}(\Gamma^{IJ}(t, \theta, \mathfrak{A}_4), \Gamma^{KL}(t, \theta, \mathfrak{A}_4))_{\pm}$ is a vector representing a $\Sigma_{\pm}^{IJ, KL}(\tau, t, \theta, \mathfrak{A}_4)$ -sheet, whose left and right edges correspond to $\Gamma^{IJ}(t, \theta, \mathfrak{A}_4)$ and $\Gamma^{KL}(t, \theta, \mathfrak{A}_4)$, respectively, and whose bottom-left, top-left, bottom-right, and top-right vertices correspond to $\mathcal{E}_{\text{VW}}^I(\theta)$, $\mathcal{E}_{\text{VW}}^J(\theta)$, $\mathcal{E}_{\text{VW}}^K(\theta)$, and $\mathcal{E}_{\text{VW}}^L(\theta)$, respectively, such that $\text{Re}(\mathcal{W}_4^I(\theta)) < \{\text{Re}(\mathcal{W}_4^J(\theta)), \text{Re}(\mathcal{W}_4^K(\theta))\} < \text{Re}(\mathcal{W}_4^L(\theta))$. This will lead us to the following one-to-one identifications⁵²

$$\boxed{\text{Hom}(\Gamma^{IJ}(t, \mathfrak{A}_4), \Gamma^{KL}(t, \mathfrak{A}_4))_{\pm} \iff \text{Hom}(\text{Hom}(\mathcal{E}_{\text{VW}}^I, \mathcal{E}_{\text{VW}}^J), \text{Hom}(\mathcal{E}_{\text{VW}}^K, \mathcal{E}_{\text{VW}}^L))_{\pm} \iff \text{HF}_{d_v}^G(P_{\text{VW}, \pm}^{IJ, KL})} \quad (5.40)$$

where the RHS is proportional to the identity class when $I = K$ and $J = L$, and zero when (i) $I \leftrightarrow K$ and $J \leftrightarrow L$ (since the $\Sigma^{IJ, KL}(\tau, t, \theta, \mathfrak{A}_4)$ -sheet only moves in one direction from $\Gamma^{IJ}(t, \theta, \mathfrak{A}_4)$ to $\Gamma^{KL}(t, \theta, \mathfrak{A}_4)$), and (ii) $I \leftrightarrow J$ or $K \leftrightarrow L$ (since the $\Gamma^{**}(t, \theta, \mathfrak{A}_4)$ -solitons only move in one direction from $\mathcal{E}_{\text{VW}}^I(\theta)$ to $\mathcal{E}_{\text{VW}}^J(\theta)$ or $\mathcal{E}_{\text{VW}}^K(\theta)$ to $\mathcal{E}_{\text{VW}}^L(\theta)$).

Soliton Membrane Theory from the 3d LG Model

Just like in §3.5, the 3d gauged LG model in \mathfrak{A}_4 with action (5.33) can be interpreted as a soliton membrane theory in \mathfrak{A}_4 . The dynamics of this soliton membrane theory in \mathfrak{A}_4 will be governed by the BPS worldvolume equations of (5.32), where $(\mathcal{A}^{\dot{a}}, C^{\dot{a}})$ are scalars on the worldvolume corresponding to the holomorphic coordinates of \mathfrak{A}_4 . At an arbitrary instant in time whence $d_{\xi} \mathcal{A}^{\dot{a}} = d_{\xi} C^{\dot{a}} = 0 = d_{\xi} A_{\{t, \tau\}}$ in (5.32), the dynamics of $(\mathcal{A}^{\dot{a}}, C^{\dot{a}})$ and the 3d gauge fields (A_t, A_{τ}, A_{ξ}) along (τ, t) will be governed by the membrane equations

$$\begin{aligned} j \frac{dC^{\dot{a}}}{d\tau} + k \frac{dC^{\dot{a}}}{dt} + j \frac{dA_{\xi}}{dt} - k \frac{dA_{\xi}}{d\tau} + i \frac{dA_t}{d\tau} - i \frac{dA_{\tau}}{dt} &= -[iA_{\xi} + jA_{\tau} + kA_t, C^{\dot{a}}] - [jA_t - kA_{\tau}, A_{\xi}] \\ &\quad - i[A_{\tau}, A_t] + g_{\mathfrak{A}_4}^{\dot{a}\bar{b}} \left(\frac{j\zeta}{2} \frac{\partial \mathcal{W}_4}{\partial C^{\bar{b}}} \right)^*, \\ j \frac{d\mathcal{A}^{\dot{a}}}{d\tau} + k \frac{d\mathcal{A}^{\dot{a}}}{dt} &= -[iA_{\xi} + jA_{\tau} + kA_t, \mathcal{A}^{\dot{a}}] + g_{\mathfrak{A}_4}^{\dot{a}\bar{b}} \left(\frac{i\zeta}{2} \frac{\partial \mathcal{W}_4}{\partial \mathcal{A}^{\bar{a}}} \right)^*. \end{aligned} \quad (5.41)$$

The Normalized 7d-Spin(7) Partition Function, Soliton Membrane Scattering, and Maps of an A_{∞} -structure

The normalized 7d-Spin(7) partition function can be regarded as a sum over tree-level scattering amplitudes of the LG \mathfrak{A}_4^{θ} -sheets defined by (5.34). The BPS worldvolume underlying such a tree-level scattering amplitude is similar to Fig. 5, where instead of the vertices of each sheet being $\mathcal{E}_{\text{BF}}^*$, it is now $\mathcal{E}_{\text{VW}}^*$.

In other words, we can, like in (3.67), express the normalized 7d-Spin(7) partition function as

$$\tilde{\mathcal{Z}}_{7\text{d-Spin}(7), CY_2 \times \mathbb{R}^3}(G) = \sum_{\mathfrak{N}_n} \Pi_{\mathfrak{A}_4}^{\mathfrak{N}_n}, \quad \mathfrak{N}_n = \begin{cases} 1, 2, \dots, \frac{n-2}{2}, & n \text{ even} \\ 1, 2, \dots, \frac{n-3}{2}, & n \text{ odd} \end{cases} \quad (5.42)$$

⁵²The ‘ θ ’ label is omitted in the following expression (as explained in footnote 20).

where each

$$\boxed{\begin{aligned} \Pi_{\mathfrak{A}_4}^{\mathfrak{N}_n} : & \bigotimes_{i=1}^{\mathfrak{N}_n} \text{Hom} \left(\text{Hom} \left(\mathcal{E}_{\text{VW}}^{I_{2i-1}}, \mathcal{E}_{\text{VW}}^{I_{2i}} \right), \text{Hom} \left(\mathcal{E}_{\text{VW}}^{I_{2(i+1)-1}}, \mathcal{E}_{\text{VW}}^{I_{2(i+1)}} \right) \right)_- \\ & \longrightarrow \text{Hom} \left(\text{Hom} \left(\mathcal{E}_{\text{VW}}^{I_1}, \mathcal{E}_{\text{VW}}^{I_2} \right), \text{Hom} \left(\mathcal{E}_{\text{VW}}^{I_{2\mathfrak{N}_n+1}}, \mathcal{E}_{\text{VW}}^{I_{2\mathfrak{N}_n+2}} \right) \right)_+ \end{aligned}} \quad (5.43)$$

is a scattering amplitude of \mathfrak{N}_n incoming LG soliton \mathfrak{A}_4^θ -membranes $\text{Hom} \left(\text{Hom} \left(\mathcal{E}_{\text{VW}}^{I_1}, \mathcal{E}_{\text{VW}}^{I_2} \right), \text{Hom} \left(\mathcal{E}_{\text{VW}}^{I_3}, \mathcal{E}_{\text{VW}}^{I_4} \right) \right)_-$, \dots , $\text{Hom} \left(\text{Hom} \left(\mathcal{E}_{\text{VW}}^{I_{2\mathfrak{N}_n-1}}, \mathcal{E}_{\text{VW}}^{I_{2\mathfrak{N}_n}} \right), \text{Hom} \left(\mathcal{E}_{\text{VW}}^{I_{2\mathfrak{N}_n+1}}, \mathcal{E}_{\text{VW}}^{I_{2\mathfrak{N}_n+2}} \right) \right)_-$, and a single outgoing LG soliton \mathfrak{A}_4^θ -membrane $\text{Hom} \left(\text{Hom} \left(\mathcal{E}_{\text{VW}}^{I_1}, \mathcal{E}_{\text{VW}}^{I_2} \right), \text{Hom} \left(\mathcal{E}_{\text{VW}}^{I_{2\mathfrak{N}_n+1}}, \mathcal{E}_{\text{VW}}^{I_{2\mathfrak{N}_n+2}} \right) \right)_+$, with vertices as labeled.

Just as in §3.5, the collection of $\Pi_{\mathfrak{A}_4}^{\mathfrak{N}_n}$ maps in (5.43) which involve 2-morphisms, can also be regarded as composition maps defining an A_∞ -structure of a 2-category whose n objects $\{\mathcal{E}_{\text{VW}}^1, \mathcal{E}_{\text{VW}}^2, \dots, \mathcal{E}_{\text{VW}}^n\}$ correspond to (θ -deformed) VW configurations on CY_2 .

A Fueter type A_∞ -2-category 2-categorifying the HW Floer Homology of CY_2

As VW configurations on CY_2 are known to generate the HW Floer homology of CY_2 which is itself a 0-category, this 2-category is a 2-categorification of the said Floer homology.

Altogether, this means that the normalized partition function of 7d-Spin(7) theory on $CY_2 \times \mathbb{R}^3$, as expressed in (5.42), manifests a *novel* Fueter type A_∞ -2-category, defined by the maps (5.43) and the identifications (5.40), which 2-categorifies the HW Floer homology of CY_2 !

An Equivalence Between a Fueter type A_∞ -2-category and an FS type A_∞ -category

Recall from §5.4 that the normalized partition function of 7d-Spin(7) theory on $CY_2 \times \mathbb{R}^3$ also manifests the FS type A_∞ -category of \mathfrak{A}_4^θ -solitons. This means that we have a *novel* equivalence between the Fueter type A_∞ -2-category 2-categorifying the HW Floer homology of CY_2 and the FS type A_∞ -category of \mathfrak{A}_4^θ -solitons!

6 Physical Proofs and Generalizations of Mathematical Conjectures

In this section, using the results that we have obtained thus far, and some relevant results from our previous works in [1, 2], we will furnish physical proofs and generalizations of the mathematical conjectures by Bousseau in [3] and Doan-Rezchikov in [4].

6.1 Proving and Generalizing Bousseau's Atiyah-Floer type Correspondences

An A_∞ -2-category from [2]

In [2, eqn. (9.43)], on the RHS, the Hom-category is physically realized by a 3d sigma model on $\mathbb{R}^2 \times I$ with target $\mathcal{M}_H^{G,\theta}(\Sigma)$, the hyperkähler moduli space of θ -deformed G -Hitchin equations on a Riemann surface Σ , whose BPS equations would be θ -deformed, Fueter equations on $\mathbb{R}^2 \times I$

that depend on the complex structure of $\mathcal{M}_H^{G,\theta}(\Sigma)$. In addition, the L 's are Lagrangian branes in $\mathcal{M}_H^{G,\theta}(\Sigma)$.

Furthermore, since the LHS of [2, eqn. (9.43)] obeys an A_∞ -structure map, that would mean likewise for the RHS.

Altogether, from the RHS of [2, eqn. (9.43)], this means that we would get an A_∞ -2-category, determined by a Fueter equation, and whose objects are Lagrangian branes in $\mathcal{M}_H^{G,\theta}(\Sigma)$.

An A_∞ -2-category from [1]

In [1, eqn. (12.15)], on the top entry, the Hom-category is physically realized by a 3d sigma model on $\mathbb{R}^2 \times I$ with target $\mathcal{M}_{\text{inst}}^{G,\theta}(CY_2)$, the hyperkähler moduli space of θ -deformed instantons on CY_2 , whose BPS equations would be θ -deformed, Fueter equations on $\mathbb{R}^2 \times I$ that depend on the complex structure of $\mathcal{M}_{\text{inst}}^{G,\theta}(CY_2)$. In addition, the L 's are Lagrangian branes in $\mathcal{M}_{\text{inst}}^{G,\theta}(CY_2)$.

Furthermore, since the center entry of [1, eqn. (12.15)] obeys an A_∞ -structure map, that would mean likewise for the top entry.

Altogether, from the top entry of [1, eqn. (12.15)], this means that we would get an A_∞ -2-category, determined by a Fueter equation, and whose objects are Lagrangian branes in $\mathcal{M}_{\text{inst}}^{G,\theta}(CY_2)$.

Bousseau-Doan-Rezchikov's Fueter 2-category

A 2-category with an A_∞ -structure, determined by a Fueter equation, whose objects are Lagrangian branes of a hyperkähler manifold, were recently constructed and studied by Bousseau [3] and Doan-Rezchikov [4]. It was named a Fueter 2-category.

Therefore, the A_∞ -2-categories that we have above, realize their construction of a Fueter 2-category.

Physical Proofs and Generalizations of Bousseau's Mathematical Conjectures

With this latest interpretation of [2, eqn. (9.43)] in terms of a Fueter 2-category, our results in [2, §9.5] will mean that we have an *equivalence* between (i) an FS type A_∞ -category of θ -deformed G -Hitchin configurations on M_3 and (ii) a Fueter 2-category of Lagrangian branes in $\mathcal{M}_H^{G,\theta}(\Sigma)$. At $\theta = \pi/2$, this will amount to an equivalence between (i) an FS type A_∞ -category of flat $G_{\mathbb{C}}$ connections on M_3 and (ii) a Fueter 2-category of Lagrangian branes in $\mathcal{M}_{\text{flat}}^{G_{\mathbb{C}}}(\Sigma)$ (which spans the space of flat $G_{\mathbb{C}}$ connections on Σ that can be extended to all of $M_3 = M_3' \cup_{\Sigma} M_3''$). This equivalence was conjectured by Bousseau in [3, Conjecture 2.14].

Likewise, with this latest interpretation of [1, eqn. (12.15)] in terms of a Fueter 2-category, our results in [1, §12.2] will mean that we have an *equivalence* between (i) an FS type A_∞ -category of θ -deformed holomorphic vector bundles on CY_3 and (ii) a Fueter 2-category of Lagrangian branes in $\mathcal{M}_{\text{inst}}^{G,\theta}(CY_2)$. At $\theta = 0$, this will amount to an equivalence between (i) an FS type A_∞ -category of holomorphic vector bundles on CY_3 and (ii) a Fueter 2-category of Lagrangian branes in $\mathcal{M}_{\text{inst}}^G(CY_2)$ (which, for an algebraic surface CY_2 , spans the space of holomorphic vector bundles on CY_2 that

can be extended to all of $CY_3 = CY_3' \cup_{CY_2} CY_3''$). This equivalence was conjectured by Bousseau in [3, Conjecture 2.15].

Thus, we have physically proved and generalized (for general θ) his mathematical conjectures.

6.2 Proving and Generalizing Bousseau-Doan-Rezchikov's Conjecture

An FS A_∞ -category of Lagrangian Branes in Path Space from [2]

In [2, eqn. (9.38)], we found a correspondence between (i) an FS type A_∞ -category of θ -deformed G -Hitchin configurations on M_3 and (ii) an FS A_∞ -category of Lagrangian branes in the path space $\mathcal{M}(\mathbb{R}, \mathcal{M}_H^{G,\theta}(\Sigma))$ of smooth maps from \mathbb{R} to $\mathcal{M}_H^{G,\theta}(\Sigma)$. The result in §6.1 thus implies an *equivalence* between (i) a Fueter 2-category of Lagrangian branes in $\mathcal{M}_H^{G,\theta}(\Sigma)$ and (ii) an FS A_∞ -category of Lagrangian branes in $\mathcal{M}(\mathbb{R}, \mathcal{M}_H^{G,\theta}(\Sigma))$.

An FS A_∞ -category of Lagrangian Branes in Path Space from [1]

In [1, eqn. (9.41) and (12.9)], we found a correspondence between (i) an FS type A_∞ -category of θ -deformed holomorphic vector bundles on CY_3 and (ii) an FS A_∞ -category of Lagrangian branes in the path space $\mathcal{M}(\mathbb{R}, \mathcal{M}_{\text{inst}}^{G,\theta}(CY_2))$ of smooth maps from \mathbb{R} to $\mathcal{M}_{\text{inst}}^{G,\theta}(CY_2)$. The result in §6.1 thus implies an *equivalence* between (i) a Fueter 2-category of Lagrangian branes in $\mathcal{M}_{\text{inst}}^{G,\theta}(CY_2)$ and (ii) an FS A_∞ -category of Lagrangian branes in $\mathcal{M}(\mathbb{R}, \mathcal{M}_{\text{inst}}^{G,\theta}(CY_2))$.

A Physical Proof of Bousseau-Doan-Rezchikov's Mathematical Conjecture

An equivalence between a Fueter 2-category of Lagrangian branes and an FS A_∞ -category of Lagrangian branes in path space, was conjectured by Bousseau in [3, Conjecture 2.10] and Doan-Rezchikov in [4, Conjecture 1.5].

Thus, we have physically proved their mathematical conjecture.

A Gauge-theoretic Generalization of Bousseau-Doan-Rezchikov's Mathematical Conjecture

Moreover, in §3, §4, and §5, we found that to the space \mathfrak{A}_D of irreducible fields on a D -manifold, we have equivalences between (i) a Fueter type A_∞ -2-category whose objects are in \mathfrak{A}_D , and (ii) an FS type A_∞ -category whose objects are non-constant paths in the path space $\mathcal{M}(\mathbb{R}_t, \mathfrak{A}_D)$. Since the objects of our categories in §3, §4, and §5, are gauge-theoretic, the aforementioned equivalences can be understood as a gauge-theoretic generalization of our statements above.

Thus, we have a gauge-theoretic generalization of Bousseau-Doan-Rezchikov's mathematical conjecture!

References

- [1] Arif Er and Meng-Chwan Tan. “Topological 8d $\mathcal{N} = 1$ Gauge Theory: Novel Floer Homologies, and A_∞ -categories of Six, Five, and Four-Manifolds”. In: (2024). arXiv: 2410.18575 [hep-th].
- [2] Arif Er, Zhi-Cong Ong, and Meng-Chwan Tan. “Topological 5d $\mathcal{N} = 2$ Gauge Theory: Novel Floer Homologies, Their Dualities, and an A_∞ -category of Three-Manifolds”. In: *Advances in Theoretical and Mathematical Physics* in press (2024). arXiv: 2311.18302 [hep-th].
- [3] Pierrick Bousseau. “Holomorphic Floer Theory and Donaldson-Thomas Invariants”. In: *Proceedings of Symposia in Pure Mathematics* 107 (2024), pp. 45–78. arXiv: 2210.17001v1 [math.SG].
- [4] Aleksander Doan and Semon Rezchikov. “Holomorphic Floer Theory and the Fueter Equation”. 2022. arXiv: 2210.12047 [math.SG].
- [5] Andriy Haydys. “Fukaya-Seidel Category and Gauge Theory”. In: *Journal of Symplectic Geometry* 13.1 (2015), pp. 151–207. DOI: 10.4310/JSG.2015.v13.n1.a5. arXiv: 1010.2353v4 [math.SG].
- [6] Dominic D Joyce. *Compact Manifolds with Special Holonomy*. Oxford University Press, 2000. DOI: 10.1093/oso/9780198506010.001.0001.
- [7] Matthias Blau and George Thompson. “Topological Gauge Theories From Supersymmetric Quantum Mechanics on Spaces of Connections”. In: *International Journal of Modern Physics A* 08.03 (1993), pp. 573–585. DOI: 10.1142/s0217751x93000229. arXiv: hep-th/9112064 [hep-th].
- [8] Zhi-Cong Ong and Meng-Chwan Tan. “Vafa-Witten Theory: Invariants, Floer Homologies, Higgs Bundles, a Geometric Langlands Correspondence, and Categorification”. In: *Advances in Theoretical and Mathematical Physics* 27.6 (2023), pp. 1759–1812. DOI: <https://dx.doi.org/10.4310/ATMP.2023.v27.n6.a3>. arXiv: 2203.17115v3 [hep-th].
- [9] Louise Anderson. “Five-Dimensional Topologically Twisted Maximally Supersymmetric Yang-Mills Theory”. In: *Journal of High Energy Physics* 2013.2 (Feb. 2013). ISSN: 1029-8479. DOI: 10.1007/jhep02(2013)131. arXiv: 1212.5019.
- [10] Chris Elliott, Pavel Safronov, and Brian R. Williams. “A Taxonomy of Twists of Supersymmetric Yang-Mills Theory”. In: *Selecta Mathematica* 28.4 (Aug. 2022). ISSN: 1420-9020. DOI: 10.1007/s00029-022-00786-y. arXiv: 2002.10517 [math-ph].
- [11] B.S. Acharya, M. O’Loughlin, and B. Spence. “Higher-Dimensional Analogues of Donaldson-Witten Theory”. In: *Nuclear Physics B* 503.3 (1997), pp. 657–674. DOI: 10.1016/S0550-3213(97)00515-4. arXiv: hep-th/9705138 [hep-th].
- [12] Saman Habibi Esfahani. “Monopoles, Singularities and Hyperkähler Geometry”. PhD thesis. Stony Brook University, Aug. 2022.
- [13] Thomas Walpuski. “G2-instantons on Generalised Kummer Constructions”. In: *Geometry & Topology* 17.4 (Aug. 2013), pp. 2345–2388. ISSN: 1465-3060. DOI: 10.2140/gt.2013.17.2345. arXiv: 1109.6609v3.