

# Dual Channel Multi-Attention in ViT for Biometric Authentication using Forehead Subcutaneous Vein Pattern and Periocular Pattern

Arun K. Sharma, Shubhobrata Bhattacharya, and Motahar Reza

arXiv:2412.19160v1 [cs.CV] 26 Dec 2024

**Abstract**—Traditional biometric systems, like face and fingerprint recognition, have encountered significant setbacks due to wearing face masks and hygiene concerns. To meet the challenges of the partially covered face due to face masks and hygiene concerns of fingerprint recognition, this paper proposes a novel dual-channel multi-attention Vision Transformer (ViT) framework for biometric authentication using forehead subcutaneous vein patterns and periocular patterns, offering a promising alternative to traditional methods, capable of performing well even with face masks and without any physical touch. The proposed framework leverages a dual-channel ViT architecture, designed to handle two distinct biometric traits. It can capture long-range dependencies of independent features from the vein and periocular patterns. A custom classifier is then designed to integrate the independently extracted features, producing a final class prediction. The performance of the proposed algorithm was rigorously evaluated using the Forehead Subcutaneous Vein Pattern and Periocular Biometric Pattern (FSVP-PBP) database. The results demonstrated the superiority of the algorithm over state-of-the-art methods, achieving remarkable classification accuracy of  $99.3 \pm 0.02\%$  with the combined vein and periocular patterns.

**Index Terms**—Vision Transformer, Biometric Authentication, Forehead Subcutaneous Vein Pattern, Periocular Pattern, Dual-Channel Multi-Attention.

## I. INTRODUCTION

In the evolving landscape of biometric identification, the quest for more secure, reliable, and non-invasive technologies has become paramount, especially in the wake of global challenges such

as the COVID-19 pandemic [1]. Traditional biometrics like face recognition [2], [3], fingerprint recognition [4], [5], gesture recognition [6], iris recognition [7], hand palm vein [8], hand dorsal vein [9], wrist vein [10], scleral [11], and finger vein [12] etc has inherent limitations and vulnerabilities that undermine their efficacy and user acceptance. Among these, facial and fingerprint recognition systems stand out as the most prevalent in commercial and semi-commercial applications due to their non-intrusiveness and ease of use. However, the advent of mask-wearing norms and hygiene concerns have significantly impacted their reliability and acceptance [1], propelling the need for alternative biometric solutions that can offer comparable or superior levels of identification accuracy with no drawbacks associated with full-face or touch-based systems.

In recent decades, the forehead vein pattern recognition [13] has emerged as a promising candidate in this context, offering a novel approach to biometric identification that leverages the unique physiological features of the human forehead. This method not only aligns with the requirements for non-intrusive and touchless hygienic biometric systems but also addresses the challenges posed by facial occlusions. The rationale behind focusing on the forehead as a biometric trait lies in its inherent advantages [13], [14], [15]. Firstly, the forehead remains largely unaffected by facial expressions and is less likely to be obscured by accessories or hair, providing a stable region for identification. Secondly, the area is easily accessible for imaging, even in the presence of face masks, making it an ideal candidate for recognition in today's real-world scenario. Additionally, the skin texture and other physiological features of the forehead can be captured with high-resolution imaging techniques, offering a rich dataset for developing robust recognition algorithms.

Arun K. Sharma, is with Department. of Electrical Engineering, Indian Institute of Technology, Kanpur, India(e-mail: arnksh@iitk.ac.in).

Shubhobrata Bhattacharya is Senior Training and Application Engineer, MathWorks India Pvt Ltd, Hyderabad, 5000081(e-mail: sbhat-tac@mathworks.com).

Motahar Reza is with Department of Mathematics, School of Science, GITAM Deemed to be University, Hyderabad, India. (e-mail: mreza@gitam.edu).

Bhattacharya *et al.* [13] has attempted to explore the viability of a contactless and real-time system based on the forehead subcutaneous vein pattern and periocular biometric pattern as an alternative biometric identification method. It uses convolutional neural network-based feature extraction for the vein pattern and the periocular pattern independently, followed by feature concatenation for final classification. Convolutional-based feature extraction method relies on spatial features in the input images, which requires preprocessing of the forehead and particular images to produce good-quality patterns. Therefore, to alleviate the need for preprocessing and improve the robustness against uncertainty against the quality of the captured images, this paper presents dual channel multi-attention in ViT for capturing the sequential dependencies of features in the raw images of the forehead and the particular portions. The major contributions of this research work are listed below:

- i) An innovative architectural framework of dual-encoder ViT is formulated to handle raw images of the forehead subcutaneous portion and the periocular portion of a subject, simultaneously and independently. Using a dual-encoder approach with independent multi-head attention, the system effectively captures long-range dependencies among features, uniquely representing various pattern classes.
- ii) In conjunction with the dual-encoder vision transformer, a custom classifier has been meticulously designed to process further the feature outputs derived from the two distinct channels. It integrates the independently processed features to produce a final class prediction. This tailored approach enhances the system's ability to accurately classify the input data, leveraging the detailed analysis provided by the dual-encoder framework to achieve high levels of accuracy in class prediction.
- iii) The performance of the algorithm, underpinned by the dual-encoder vision transformer and the custom classifier, was rigorously evaluated using the Forehead Subcutaneous Vein Pattern and Periocular Biometric Pattern (FSVP-PBP) database [13]. This evaluation process involved both training and testing phases, allowing for a comprehensive assessment of the algorithm's effectiveness for biometric-based person identi-

fication. The results of this evaluation were then compared with those obtained by state-of-the-art algorithms to demonstrate the superiority of the proposed algorithm in terms of identification accuracy.

The remaining parts of the paper are organized as follows. Section III provides the brief theoretical background of the transformer model for natural language processing and ViT for image classification. Section IV describes the proposed framework of dual-encoder vision transformer. Section V presents the effectiveness of the proposed framework and its comparison with state-of-the-art methods on the FSVP database. Finally, Section VI concludes the work.

## II. LITERATURE REVIEW

### A. Review of Vein Pattern Recognition based on Approach

1) *Graph-based Vein Pattern Recognition:* As can be seen from the distribution of vein patterns attention will undoubtedly be attracted by the geometrical property, and image coding techniques designed for describing such spatial structures are believed to obtain satisfactory results. Following this pipeline, the line-like and/or curve-like models including the maximum curvature point [16], mean curvature [17], Gabor filter [18], and repeated line tracking methods [19], and statistical analysis tools including principal curvature [20], vectorgrams of maximal intra-neighbor difference [21], and the multi-scale Gaussian matched filtering and scale production methods [22] have been successfully adopted for robust and discriminative feature extraction. The main problem, however, is that the low contrast distribution usually results in inaccurate features. Also the sensitivity of these methods to uneven illumination [23] makes them unfavorable when compared with both hand-crafted features and CNN features introduced in the following sections.

2) *Shallow Descriptors based Vein Pattern Recognition:* Selecting a suitable feature representation for vein pattern authentication requires robustness to image transformations and discrimination for sparse vein patterns. SIFT and its variants have been popular for their state-of-the-art performances. However, contrast enhancement (CE), a common pre-requisite for SIFT [24] can cause mismatches,

affecting personal authentication systems' reliability. Some methods [25], [26], use SIFT directly, leading to low accuracy due to a few key points, while others improve intra-class matching but fail to eliminate all inter-class mismatches, increasing false acceptance rates. Alternatives like Local Binary Pattern (LBP) [27], Local Derivative Pattern (LDP) [28], Local Ternary Pattern (LTP) [29], and Local Line Binary Pattern (LLBP) [30] focus on local geometrical distribution but may dilute discriminative ability due to sparse textures and omitting contrast information. Therefore, selecting an optimal feature representation remains a challenging yet crucial task for reliable vein pattern authentication.

3) *Deep Learning based Vein Pattern Recognition*: Various researchers have explored the performance of CNN-based deep-learning models for vein pattern recognition [12], [31]–[34]. The CNN-based methods have outperformed the manually crafted features in the image classification tasks, however, their performances are very much affected due to the scarcity of comprehensive vein datasets. Radzi et al. [31] introduced a simplified four-layer CNN with an integrated convolutional-sampling structure, trained on a limited dataset. This network, also used in finger vein recognition [32], yielded significantly lower performance than traditional models, highlighting its unsuitability for small datasets. To enhance CNN-based vein recognition, modifying the network architecture for specific tasks [33], [12], [34] or developing quality-aware models [12], [35] have been explored, showing improvements. However, these vein datasets are much smaller compared to those used for renowned models like AlexNet [36] or VGGNet [37], leading to underutilization of CNNs. Some studies propose using a pre-trained CNN [38], [33], [34], [39], [38], [40] as a feature extractor, drawing features from the fully-connected layer or using minutiae-based pooling. However, these methods suffer from biases due to differences between training and target datasets.

## B. Review of Vein Pattern Recognition based on Modality

1) *Finger vein Pattern*: Over the past ten years, there have been remarkable improvements in the field of single-view finger vein recognition technology. These advancements have been fueled by the noticeable difference in appearance between

the finger veins and their surroundings in images. Techniques such as Local Maximum Curvature (LMC) [16], Wide Line Detector (WLD) [41], and Enhanced Maximum Curvature (EMC) [42] have been developed. To enhance feature extraction, SSP-DBFL [43] was introduced, combining two types of input features for more effective learning. With the rise of deep learning in the realm of computer vision, several scholars have tailored these techniques for better finger vein recognition. One notable example is FV-GAN [44], which employs Generative Adversarial Networks (GANs). Similarly, Song et al. [45] introduced EIFNet, a model that excels in merging both implicit and explicit features for improved discrimination. Additionally, inspired by the achievements of Vision Transformer (ViT) [46], Huang et al. created the Finger Vein Transformer (FVT) [47], which uses a pyramid structure to extract features at multiple levels.

2) *Hand Dorsal vein Pattern*: In 1985, Joseph Rice invented dorsal hand vein (DHV) pattern recognition, securing the first U.S. patent for this technology [48]. In [49], Cross and Smith advanced the technology with thermographic imaging for biometrics. Subsequent advancements included Lin et al.'s thermal image-based recognition in [50], Kumar et al.'s multi-feature approach in [51], and Huang et al.'s high-accuracy local feature matching in [52]. In [9], Joardar et. al proposed a vein pattern recognition system based on sparse representation-based classification. In [53], Li et al. applied deep learning to DHV recognition, demonstrating the effectiveness of CNNs. Wang et al. in [54] proposed a new DHV imaging device and database, employing DNN models for identity and gender recognition. Advancements continued with Gupta et al.'s multimodal biometric system in [55], integrating DHV with other biometrics. In [56] and [57], Zhong et al. and Wang et al. explored GANs and model compression to enhance DHV recognition's efficiency and accuracy.

3) *Hand Palm vein Pattern*: The literature reveals numerous palm vein recognition techniques, each advancing the field. Lee et al. [58] introduced the modified 2D<sup>2</sup>LDA method, enhancing classical LDA with matrix representations to address singularity issues in high-dimensional data, and reducing computational demands. Xin et al. [59], [60] merged local Gabor histograms with LGPDP and LGXP to improve data discrimination and

optimized Gabor filter parameters through image sub-division. Zhou et al. [61] tackled image deformations with the Neighborhood matching radon transform (NMRT), improving matching accuracy. Techniques using modified LBP descriptors, multi-scale Gaussian filters, and competitive coding with 2D log-Gabor [62] filters aim for efficient feature extraction and matching, indicating progress towards precise and reliable palm vein recognition systems. Kang et al. [63] developed a contactless identification method using Mutual foreground LBP (MF-LBP) for texture matching. Fronitasari et al. [64] enhanced vein extraction and matching with a modified LBP descriptor and a Probabilistic neural network (PNN). Lu et al. [65] improved vein pattern visibility with a multi-scale Gaussian filter before feature extraction with LBP, streamlining similarity calculations. Recently, Horng et al. [66] explored palm vein recognition in smartphones using RGB images, marking a significant step toward mobile applications.

4) *Forehead vein Pattern*: Forehead biometrics emerges as a promising, non-intrusive identification method, offering advantages in hygiene and usability, especially under mask-wearing conditions. Recent studies highlight its potential for high accuracy and reliability, leveraging unique forehead features, despite challenges in environmental variability and algorithm development [13]. This method represents a viable alternative to traditional biometrics, adapting to contemporary needs.

### III. THEORETICAL BACKGROUND

#### A. Transformer in NLP

Vaswani et al. [67] introduced a transformer architecture in the paper “*Attention is All You Need*”, which has a significant impact on the field of Natural Language Processing (NLP) for capturing long-range sequential dependencies. The framework demonstrated outstanding performance for many applications like machine translation, text summarization, etc. The main constituent of the transformer architecture is the attention mechanism in encoder and decoder blocks which enables the model to efficiently capture the intricate relationships within long sequential inputs. This mechanism empowers the model to consider the context of each word within the entire input sequence, which results in an enhanced learning representation. The encoder block

handles the processing of the input text sequences and the decoder is responsible for generating an output sequence. Each layer of both the encoder and decoder consists of multi-head self-attention modules. The attention mechanism in transformer architecture helps to overcome the limitations of traditional recurrent models by leveraging the capability of capturing long-range dependencies of a token in the sequence.

#### B. Transformer in Computer Vision

With the outstanding performance of transformer architecture for various applications in NLP, Dosovitskiy et al. [68] demonstrated the encoder block of transformer to be very efficient for image classification in computer vision applications. The transformer encoder architecture introduced for computer vision applications is called the Vision Transformer (ViT). The attention mechanism in the ViT provides the capability of capturing the long dependencies in the flattened sequence of image tokens created by splitting an image into patches of size  $16 \times 16$ . The input image is converted into non-overlapping sequential tokens by splitting the image into patches, followed by flattening into a linear sequence of the patches. This mechanism allows the attention mechanism in the transformer encoder to produce class-specific image features by capturing the contextual information in the sequential dependencies of image patches. The final feature output can be further used with a suitable classifier head to predict the class of the input image. The schematic diagram of ViT for image classification with reference to the original paper by Dosovitskiy et al. [68] is shown in Fig. 1.

### IV. PROPOSED VISION TRANSFORMER

The proposed framework consists of two-channel multi-head attention-based encoder blocks, called dual-channel multi-attention in the vision transformer architecture. The schematic diagram of the proposed framework has been shown in Fig. 2. The infrared camera-based images of the forehead and the periocular regions are given to the dual channel encoder through image patching and position embeddings as shown in Fig. 2. The processing of the bifurcated input images in various stages of each channel is described in the following subsections.

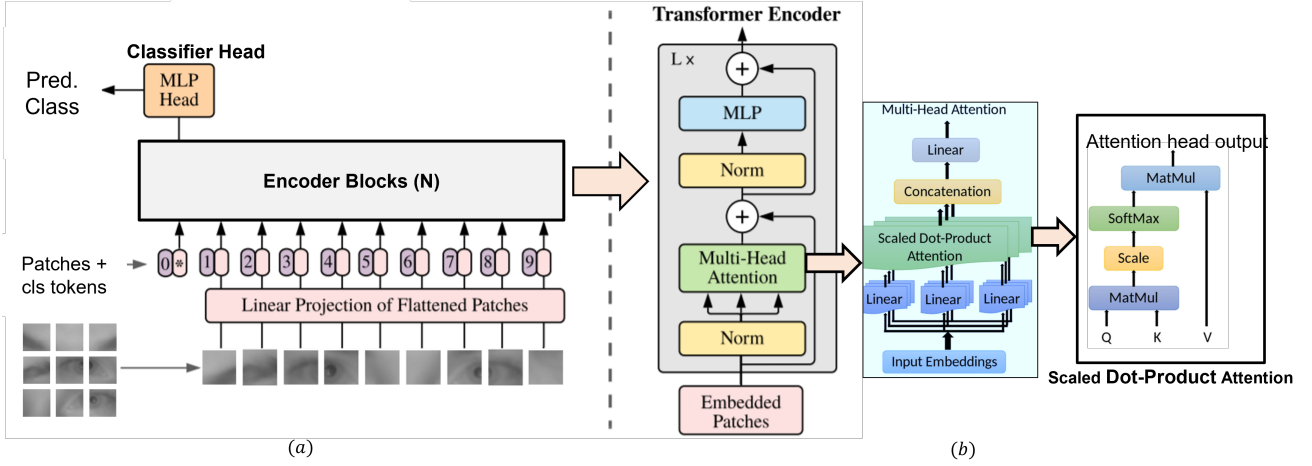


Fig. 1: Detailed architecture of Vision Transformer for image classification [68]

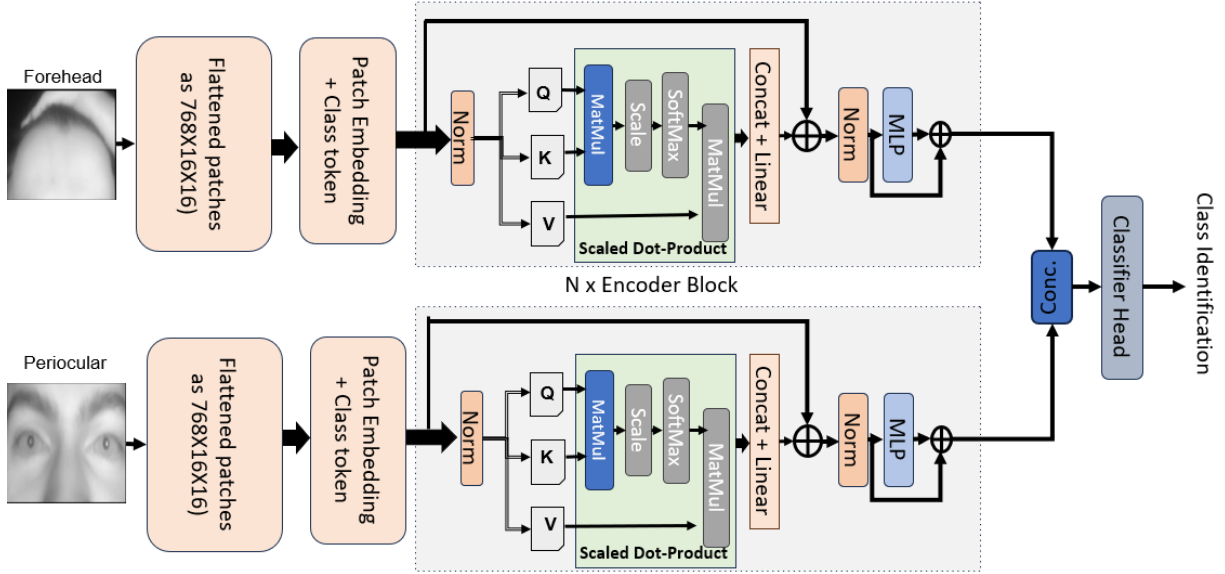


Fig. 2: Proposed framework of dual encoder-based vision transformer architecture.

### A. Patch Embedding

This step converts the input image to the sequence of token embeddings [68]. First, the input images from each channel are independently split into non-overlapping patches of size  $16 \times 16$  using the 2-dimensional convolutional process. The patching step converts each batch of the input images from each channel in the form of  $b \times N_{patches} \times d_{patch} \times d_{patch}$ , where  $b$  denotes the batch size,  $N_{patches}$  the number of patches, and  $d_{patch} \times d_{patch}$  the size of each patch. Here,  $d_{patch}$  is usually selected as 16. Now, patches are arranged as a flattened sequence, where each patch (usually a square patch) is called as a token. Each 2D patch in the flattened sequence is flattened to 1D and added with position embeddings to represent the

spatial information of the patch in the input image grid. Therefore, each patch now gets a shape of  $(d_{embd} \times 1)$ , where  $d_{embd} = d_{patch} \times d_{patch} + 1$ . Here, the position embeddings, also called class tokens are learnable parameters. Now the position embedded patch tokens are reshaped into a 2D tensor having dimensions:  $b \times N_{patch} \times d_{embd}$ , where,  $b$ ,  $N_{patch}$ , and  $d_{embd}$  represent the batch size, number of patches, and the dimension of embeddings, respectively. The embedding dimension represents the dimensionality of the embeddings.

### B. Dual-Encoder block

The embedded tokens from the patch embedding step are fed to dual-encoder blocks. The two encoders accept token embeddings from the forehead

and periocular channels independently. The components of each encoder are further described below.

1) *Multi-Head Attention*: The multi-head attention block consists of several self-attention heads. Every self-attention head takes three inputs: Query (Q), Key (K), and Value (V). These three elements Q, K, and V are the projected output of the embedded tokens via a separate linear neural network (NN) layer with trainable parameters. The self-attention module comprises a scaled dot attention mechanism. The three inputs Q, K, and V are processed through self-dot attention, producing an attention score and output. If the number of patches is  $N_{patches}$ , the hidden dimension of the attention head in each encoder channel should be kept the same ( $d_h = N_{patches}$ ). Therefore, the output of each attention head in each encoder channel has a size of  $b \times d_h \times d_{embd}$ . The attention score and the output are as given in Eq.'s (1) and (2), respectively.

$$\mathcal{M}_{score} = \text{SoftMax} \left\{ \frac{QK^T}{\sqrt{d}} \right\} \quad (1)$$

$$\mathcal{M} = V\mathcal{M}_{score} \quad (2)$$

where  $\mathcal{M}_{score}$  represents the probabilistic attention score,  $d$  represents the hidden size of the attention head (embedding dimensionality), and  $\mathcal{M}$  presents the attention output of the attention head. The attention outputs ( $\mathcal{M}'s$ ) from all such attention heads are concatenated and then linear projected the original size of  $\mathcal{M}$ .

2) *Feed-Forward Layer*: The linear projection of the concatenated attention outputs is now passed through a two-layer feed-forward neural network (multi-layered perceptron (MLP)). The two layers of the MLP block sandwich a non-linear activation layer that adds non-linearity to the output of the first layer before it is fed to the second layer. Thus the whole process consists of linearly transforming the input features into a higher-dimensional space by the first layer, applying a non-linear activation, and then transforming back to its original dimension by the second layer. Overall, the feed-forward MLP block introduces non-linearity while in higher dimensionality space to capture intricate non-linear relationships between the sequential features and the class tokens.

The attention block, the concatenation, and the MLP block all together constitute the single encoder block. The output features from the transformer

encoder are now treated as h-level features. They can be fed to a suitable classifier to produce the predicted class level of the input image.

### C. Classification Head

Finally, feature outputs from the two encoders are concatenated along the feature dimension. The concatenated features are processed by the custom classifier head designed to accept the concatenated features. The classification block with a softmax classifier at the last layer is known as the classification head. The feature output of each encoder channel has a shape of  $b \times d_h$ . The concatenation features get a shape of  $b \times 2 * d_h$ . Therefore, the classifier head has the first linear layer with the number of nodes equal to  $2 * d_h$ , followed by activation later, and the last softmax layer with nodes equal to the number of classes or subjects in the dataset.

## V. EXPERIMENTAL RESULTS AND DISCUSSION

### A. Dataset Description

In this study, we utilized the Forehead Vein Pattern and Periocular Biometric Pattern (FSVP-PBP) Database [13], which was created with images from a large number of individuals, providing several samples per person. The images were captured in a controlled environment with ambient lighting maintained between 20 and 40 Lux to reduce the impact of external lighting, enabling the Near-Infrared (NIR) sensors to effectively capture the LED light reflected off the participants. Subjects were asked to stay within a 4 to 6 centimeter range from the NIR camera during the image collection phase. Prior to the session, individuals were recommended to clean their faces to remove any sweat or oil, ensuring the quality of the images. Each subject was positioned in front of the camera for about 10 seconds, allowing for the capture of multiple frames. The FSVP-PBP Database contains 2000 images, sourced from 200 individuals aged between 21 and 42 years. From the multitude of frames taken, the top 10 frames per subject were chosen. A subset of these selected images was then randomly picked to form the training dataset. This careful compilation process of the database guarantees a varied and comprehensive collection of data, bolstering the FSVP-PBP Database's utility for studies in biometric pattern recognition and analysis. A few

samples of raw images of the periocular and the forehead are shown pairwise in Fig. 3.

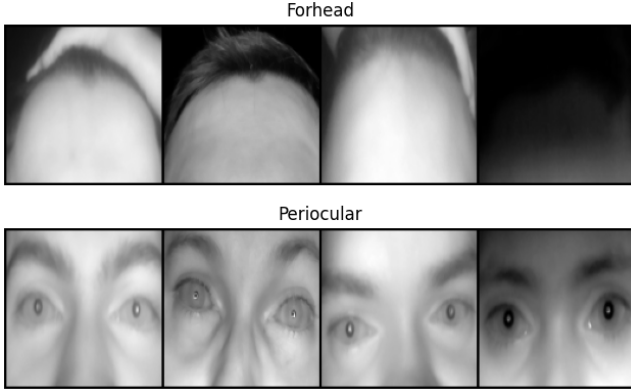


Fig. 3: A few samples of raw images of periocular and forehead are.

### B. Evaluation metrics

The proposed framework is evaluated in terms of the following evaluation metrics:

- 1) Classification accuracy ( $CA$ ): Classification accuracy ( $CA$ ) as widely accepted in the literature [69].  $CA$  is defined as

$$CA = \frac{\text{Number of correct classifications}}{\text{Total number of test samples}} \times 100\% \quad (3)$$

- 2) The Equal Error Rate (EER) is a metric for evaluating biometric system performance, where the False Acceptance Rate (FAR) and False Rejection Rate (FRR) meet. It balances security (lowering false acceptances) and usability (reducing false rejections), with a lower EER indicating higher accuracy.
- 3) Training statistics of the models are evaluated in terms of  $\%CA$  on the training and the validation datasets and are presented as training and validation curves with respect to epochs.

### C. Implementation Details

The proposed dual encoder ViT as shown in Fig. 2 is implemented using the PyTorch library of Python on the Google Colaboratory platform. All the blocks for individual channels in the dual encoder ViT are defined similarly to the standard ViT model. The model's hyper-parameters were selected as follows: number of encoder blocks = 12, number of heads in multi-head attention blocks = 4,

patch size =  $16 \times 16$ , input image size = 256, and number of hidden sizes for multi-head attention as well as MLP block = 768. Output features of each encoder channel assume the shape of  $4 \times 768$ , where 4 represents the batch size. Both feature outputs are concatenated along the feature dimension to obtain a feature size of  $4 \times 1536$ .

A custom classifier is designed to accept input features of size 1536 with two intermediate layers to transform the feature size successively as  $1536 \rightarrow 768 \rightarrow 512 \rightarrow 200$ , where 200 is the number of classes in the dataset.

The weights of the model are initialized using Xavier initialization. The model is trained using raw images of the Forehead and the Periocular as described in V-A for 40 epochs on the NVIDIA A100-SXM GPU from the Google Co-Laboratory. The training statistics curve in terms of training accuracy and validation accuracy is shown in Fig.

4

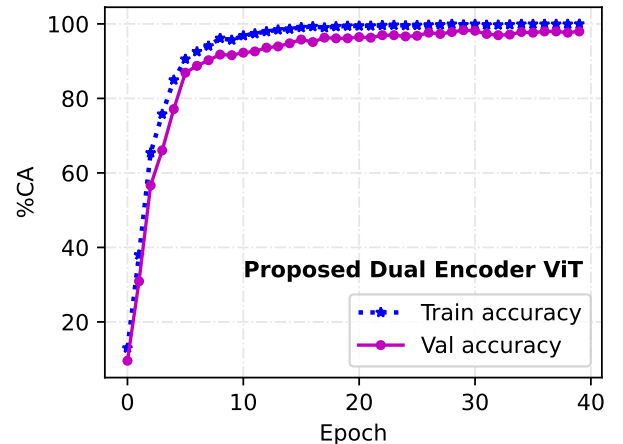


Fig. 4: Training accuracy and validation curve for the proposed dual encoder ViT

### D. Comparison with State-of-the-art Methods on FSVP-PBP Database

1) *Single channel framework*: The provided data showcases the performance of various algorithms in recognizing vein and periocular patterns, indicating significant advancements in biometric identification techniques. For vein pattern recognition, the algorithms compared include Local Binary Patterns (LBP), VGG-16, ResNet-50, Lightweight CNN (L.CNN), and Vision Transformer (ViT), with their respective accuracies being  $73.8 \pm 2.1\%$ ,  $82.6 \pm 2.2\%$ ,  $89.3 \pm 3.0\%$ ,  $90.6 \pm 2.4\%$ ,  $92.7 \pm 1.8\%$ , and a

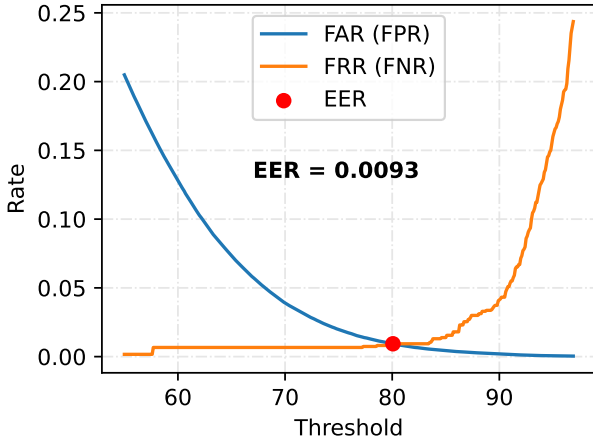


Fig. 5: FAR curve and FRR curve for computation of EER on the validation data

proposed high of  $97.5 \pm 1.4\%$  as per the references [70], [34], [71], [72], [13] and the proposed method. Similarly, in periocular pattern recognition, the same set of algorithms demonstrates accuracies of  $80.5 \pm 1.2\%$ ,  $88.4 \pm 1.2\%$ ,  $91.3 \pm 2.3\%$ ,  $92.1 \pm 1.9\%$ ,  $96.5 \pm 1.3\%$  and  $97.3 \pm 1.6\%$ , respectively. The Vision Transformer (ViT) algorithm, as the proposed method, shows a remarkable performance leap, achieving near-perfect accuracy rates of  $97.5 \pm 1.4\%$  and  $97.3 \pm 1.6\%$  for vein and periocular pattern recognition, respectively. This indicates a robust potential for ViT to enhance the security and reliability of biometric identification systems, outperforming traditional and deep learning-based methods by a significant margin.

2) *Double channel framework*: In the exploration of biometric authentication methods, a comparative analysis was conducted on the performance of various algorithms in recognizing combined vein and periocular patterns. The study encompassed a range of techniques, including Local Binary Patterns (LBP), VGG-16, ResNet-50, Lightweight Convolutional Neural Networks (L.CNN), and the proposed Vision Transformer (ViT) model. According to the findings, the proposed ViT model outperformed the other evaluated algorithms, achieving an impressive accuracy of  $99.3 \pm 0.02\%$ . This was significantly higher compared to the accuracies obtained by LBP ( $84.6 \pm 2.1\%$ ), VGG-16 ( $90.3 \pm 1.6\%$ ), ResNet-50 ( $93.7 \pm 1.9\%$ ), L.CNN ( $93.2 \pm 1.0\%$ ), and VP-CNN ( $98.6 \pm 1.3\%$ ), as cited in references [70], [34], [71], [72], [13] and the proposed work, respectively. These results underscore the potential of Vision Transformers in enhancing the reliability

and efficiency of biometric authentication systems, particularly in applications requiring high security and precision.

Table I: Performance comparison in term of  $CA$  for proposed ViT with SOA Algorithms.

Data Name	LBP [70]	VGG-16 [34]	ResNet-50 [71]	L.CNN [72]	VP-CNN [13]	ViT (Proposed)
FVP	$73.8 \pm 2.1$	$82.6 \pm 2.2$	$89.3 \pm 3.0$	$90.6 \pm 2.4$	$92.7 \pm 1.8$	<b><math>97.5 \pm 1.4</math></b>
PP	$80.5 \pm 1.2$	$88.4 \pm 1.2$	$91.3 \pm 2.3$	$92.1 \pm 1.9$	$96.5 \pm 1.3$	<b><math>97.3 \pm 1.6</math></b>
FVP+PP	$84.6 \pm 2.1$	$90.3 \pm 1.6$	$93.7 \pm 1.9$	$93.2 \pm 1.0$	$98.6 \pm 1.3$	<b><math>99.3 \pm 0.02</math></b>

Table II: Performance comparison in term of  $EER$  for proposed ViT with SOA Algorithms.

Data Name	LBP [70]	VGG-16 [34]	ResNet-50 [71]	L.CNN [72]	VP-CNN [13]	ViT (Proposed)
FVP	13.42	11.38	8.92	8.23	0.11	<b>0.0127</b>
PP	9.41	7.63	6.21	4.82	0.09	<b>0.0144</b>
FVP+PP	8.93	7.36	5.09	3.85	0.08	<b>0.0093</b>

### E. Comparison with State-of-the-art Methods with other Biometric modalities

The proposed Vision Transformer (ViT) framework for biometric authentication, utilizing forehead subcutaneous vein patterns (FSVP) and periocular biometric patterns (PBP), demonstrates superior performance in comparison to state-of-the-art (SOA) biometric systems. The dual-channel ViT model achieves a classification accuracy of 99.32% and an Equal Error Rate (EER) of 0.0093 on the FSVP-PBP database, significantly outperforming other methods. For instance, the dual-channel convolutional neural network (DCNN) approach on the same database achieves a classification accuracy of 98.60% and an EER of 0.08, indicating the enhanced precision of the ViT framework. Other biometric systems, such as those utilizing finger vein patterns (FVP), dorsal hand vein patterns (DHVP), and dynamic palm vein matching (DPVM), exhibit lower classification accuracies and higher EERs. For example, the DPVM method on the PolyU database achieves a classification accuracy of 95.59% with an EER of 0.08, while another DPVM method on the CASIA database achieves an EER of 0.12. Furthermore, multimodal systems combining various patterns, such as iris and periocular patterns (IP+PBP), sclera and periocular patterns (SRP+PBP), and palm print with dorsal hand vein patterns (PPP+DHVP), also fall short in comparison. The IP+PBP system achieves a classification accuracy of 93.50% with an



Table III: Comparison of FPPBS with SOA Biometric systems; FSVP: Forehead Subcutaneous Vein Pattern, PBP: Periocular Biometric Pattern, IP: Iris Pattern, DHVP: Dorsal Hand Vein Pattern, FVP: Finger Vein Pattern, SRP: Sclera Recognition Pattern, FKP: Finger Knuckle Pattern, PPP: Palm print pattern, DPVM: Dynamic palm vein matching, HS: Hyperspectral, FS: Finger Shape.

Ref	Pattern	Database	Sam. (Sub.)	Feature Extracted	Classification	Accuracy	EER
[73]	PBP	IMP	62 (620)	PHOG	Neural Networks	75.48	3.50
[35]	FVP	FV-USM	492 (123)	DCNN	Softmax	69.33	0.80
	FVP	HKPU	302 (156)			84.59	2.33
[74]	FVP	FV-USM	492 (123)	BLPOC, WCCD	Score Level Fusion	-	2.34
[26]	DPVM	CASIA	200	RootSIFT	LBP-based mismatching removal	-	0.996
[54]	DPVM	PolyU	500	Discriminative LBP	Chi-Square Distance	95.59	0.08
[59]	DPVM	CASIA	200	Adaptive Gabor Filter	Normalised Hamming Filter	-	0.12
[75]	DPVM	PolyU	500	Wave Atom transform	Normalised Hamming Filter	95.26	1.98
[76]	IP+PBP	CSIP	2004 (50)	LBP, HOG, ULBP, GIST, SIFT, Iriscode	Chi-Square Distance, Distance-Ratio Based Scheme, Hamming Distance	93.50	15.50
[77]	SRP+PBP	UBIRIS-V1	1877	MLBP	Normalized Hamming Distance, Score level fusion	-	3.26
[78]	PPP+DHVP	HHUT	3000 (100)	DWT+IDWT	SVM	98.80	1.38
[56]	PPP+DHVP	NCUT+GPDS+XJTU	(420)	DCNN, BGM	Hamming Distance	-	0.33
[79]	FVP+FKP	SDUMLA-HMT	(106)	DCNN	Softmax	98.31	0.29
[80]	FV+FS	HKPolyU-DB	(600)	DenseNet-161	Softmax	-	0.05
[81]	FP+FVP+FKP	CAUC	(195)	Local Coding based CNN	Softmax	99.90	1.21
[13]	FSVP+PBP	FSVP-PBP	1600 (200)	DCNN	Softmax	98.60	0.08
[82]	FP+FVP	FVC-HKP	1800 (150)	FAB-Net	AEF-Net	98.84	0.17
[82]	FP+FVP	CAS-FVU	1960 (123)	FAB-Net	AEF-Net	99.17	0.11
[82]	FP+FVP	HDPR-310	(256)	FAB-Net	AEF-Net	98.67	0.14
	FSVP+PBP	FSVP-PBP	1600 (200)	ViT	Softmax	99.32	0.0093

EER of 15.50, and the PPP+DHVP system achieves a classification accuracy of 98.80% with an EER of 1.38. These results underscore the effectiveness of the ViT framework in achieving unprecedented accuracy and reliability for biometric authentication, making it a promising solution for secure and non-intrusive identification technologies.

### F. Complexity Analysis

The proposed dual-encoder ViT model consists of two channels of encoder blocks. Each channel had  $N$  hidden units of encoders. The time complexity of each encoder block is contributed by the multi-head attention, projection layer, and feedforward MLP layers. The time complexity of the multi-head attention layer is given by  $O(n^2 \cdot d)$ , where  $n$  and  $d$  are the sequence length and dimension of the heads, respectively [68]. The complexity of the MLP block and the projection layer is given by  $O(n^3)$ , where  $n$  represents the number of learnable parameters. Therefore, the total time complexity of the one encoder block is given by  $O(n^2 \cdot d + n^3)$ . If the total number of hidden blocks in each channel encoder is  $N$ , then the total time complexity of the dual-encoder ViT is given by  $O(2N \cdot (n^2 \cdot d + n^3))$ , which can be approximated as  $O(n^4)$ .

## VI. CONCLUSIONS

In this paper, we presented a novel dual-channel multi-attention Vision Transformer (ViT) framework for biometric authentication using forehead subcutaneous vein pattern and periocular pattern. Our research introduced an innovative architectural design, incorporating a dual-channel mechanism to process two distinct biometric traits independently, coupled with a custom classifier for integrating and classifying the extracted features. This approach leveraged the strengths of vision transformers in handling complex image data, enabling precise feature extraction and enhanced pattern recognition capabilities. The evaluation of our algorithm on the Forehead Subcutaneous Vein Pattern (FSVP) database demonstrated its superiority over state-of-the-art algorithms, achieving remarkable accuracy and setting a new benchmark in the domain of biometric authentication. The proposed framework's ability to accurately identify and classify patterns from the FSVP database underscores its potential as a robust and reliable solution for secure identity verification in various applications. Our findings not only contribute to the advancement of biometric authentication technologies but also open avenues for further research in exploring the capabilities of vision transformers in other domains of pattern recognition and image analysis.

## REFERENCES

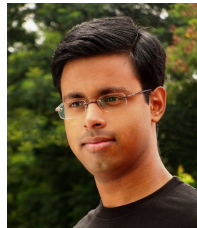
- [1] M. Gomez-Barrero, P. Drozdowski, C. Rathgeb, J. Patino, M. Todisco, A. Nautsch, N. Damer, J. Priesnitz, N. Evans, and C. Busch, "Biometrics in the era of covid-19: challenges and opportunities," *IEEE Transactions on Technology and Society*, vol. 3, no. 4, pp. 307–322, 2022.
- [2] H. Zhou, A. Mian, L. Wei, D. Creighton, M. Hossny, and S. Nahavandi, "Recent advances on singlemodal and multimodal face recognition: A survey," *IEEE Transactions on Human-Machine Systems*, vol. 44, no. 6, pp. 701–716, 2014.
- [3] Z. Wang, B. Huang, G. Wang, P. Yi, and K. Jiang, "Masked face recognition dataset and application," *IEEE Transactions on Biometrics, Behavior, and Identity Science*, vol. 5, no. 2, pp. 298–304, 2023.
- [4] A. Makrushin, A. Uhl, and J. Dittmann, "A survey on synthetic biometrics: Fingerprint, face, iris and vascular patterns," *IEEE Access*, vol. 11, pp. 33 887–33 899, 2023.
- [5] J. Priesnitz, A. Weißenfeld, L. Ruzicka, C. Rathgeb, B. Strobl, R. Lessmann, and C. Busch, "Mclfiq: Mobile contactless fingerprint image quality," *IEEE Transactions on Biometrics, Behavior, and Identity Science*, 2024.
- [6] J. He and N. Jiang, "Biometric from surface electromyogram (semg): Feasibility of user verification and identification based on gesture recognition," *Frontiers in bioengineering and biotechnology*, vol. 8, p. 58, 2020.
- [7] S. Adamović, V. Mišković, N. Maček, M. Milosavljević, M. Šarac, M. Saračević, and M. Gnjatović, "An efficient novel approach for iris recognition based on stylometric features and machine learning techniques," *Future Generation Computer Systems*, vol. 107, pp. 144–157, 2020.
- [8] J.-C. Lee, "A novel biometric system based on palm vein image," *Pattern Recognition Letters*, vol. 33, no. 12, pp. 1520–1528, 2012.
- [9] S. Joardar, A. Chatterjee, and A. Rakshit, "A real-time palm dorsa subcutaneous vein pattern recognition system using collaborative representation-based classification," *IEEE Transactions on Instrumentation and Measurement*, vol. 64, no. 4, pp. 959–966, 2014.
- [10] J. E. S. Pascual, J. Uriarte-Antonio, R. Sanchez-Reillo, and M. G. Lorenz, "Capturing hand or wrist vein images for biometric authentication using low-cost devices," in *2010 Sixth International Conference on Intelligent Information Hiding and Multimedia Signal Processing*. IEEE, 2010, pp. 318–322.
- [11] Y. Lin, E. Y. Du, Z. Zhou, and N. L. Thomas, "An efficient parallel approach for sclera vein recognition," *IEEE Transactions on Information Forensics and Security*, vol. 9, no. 2, pp. 147–157, 2013.
- [12] R. Das, E. Piciuccio, E. Maiorana, and P. Campisi, "Convolutional neural network for finger-vein-based biometric identification," *IEEE Transactions on Information Forensics and Security*, vol. 14, no. 2, pp. 360–373, 2018.
- [13] S. Bhattacharya, A. Ranjan, and M. Reza, "A portable biometrics system based on forehead subcutaneous vein pattern and periocular biometric pattern," *IEEE Sensors Journal*, vol. 22, no. 7, pp. 7022–7033, 2022.
- [14] W. G. Kleintjes, "Forehead anatomy: arterial variations and venous link of the midline forehead flap," *Journal of plastic, reconstructive & aesthetic surgery*, vol. 60, no. 6, pp. 593–606, 2007.
- [15] Y. Shimizu, N. Imanishi, T. Nakajima, H. Nakajima, S. Aiso, and K. Kishi, "Venous architecture of the glabellar to the forehead region," *Clinical Anatomy*, vol. 26, no. 2, pp. 183–195, 2013.
- [16] N. Miura, A. Nagasaka, and T. Miyatake, "Extraction of finger-vein patterns using maximum curvature points in image profiles," *IEICE TRANSACTIONS on Information and Systems*, vol. 90, no. 8, pp. 1185–1194, 2007.
- [17] W. Song, T. Kim, H. C. Kim, J. H. Choi, H.-J. Kong, and S.-R. Lee, "A finger-vein verification system using mean curvature," *Pattern Recognition Letters*, vol. 32, no. 11, pp. 1541–1547, 2011.
- [18] H. Zhang, Z. Liu, Q. Zhao, C. Zhang, and D. Fan, "Finger vein recognition based on gabor filter," in *Intelligence Science and Big Data Engineering: 4th International Conference, ISIDE 2013, Beijing, China, July 31–August 2, 2013, Revised Selected Papers 4*. Springer, 2013, pp. 827–834.
- [19] N. Miura, A. Nagasaka, and T. Miyatake, "Feature extraction of finger-vein patterns based on repeated line tracking and its application to personal identification," *Machine vision and applications*, vol. 15, pp. 194–203, 2004.
- [20] J. H. Choi, W. Song, T. Kim, S.-R. Lee, and H. C. Kim, "Finger vein extraction using gradient normalization and principal curvature," in *Image Processing: Machine Vision Applications II*, vol. 7251. SPIE, 2009, pp. 359–367.
- [21] W. Kang, "Vein pattern extraction based on vectorgrams of maximal intra-neighbor difference," *Pattern Recognition Letters*, vol. 33, no. 14, pp. 1916–1923, 2012.
- [22] Y.-B. Zhang, Q. Li, J. You, and P. Bhattacharya, "Palm vein extraction and matching for personal authentication," in *Advances in Visual Information Systems: 9th International Conference, VISUAL 2007 Shanghai, China, June 28–29, 2007 Revised Selected Papers 9*. Springer, 2007, pp. 154–164.
- [23] G. Wang, J. Wang *et al.*, "Sift based vein recognition models: Analysis and improvement," *Computational and mathematical methods in medicine*, vol. 2017, 2017.
- [24] D. G. Lowe, "Distinctive image features from scale-invariant keypoints," *International journal of computer vision*, vol. 60, pp. 91–110, 2004.
- [25] H.-G. Kim, E. J. Lee, G.-J. Yoon, S.-D. Yang, E. C. Lee, and S. M. Yoon, "Illumination normalization for sift based finger vein authentication," in *Advances in Visual Computing: 8th International Symposium, ISVC 2012, Rethymon, Crete, Greece, July 16–18, 2012, Revised Selected Papers, Part II 8*. Springer, 2012, pp. 21–30.
- [26] W. Kang, Y. Liu, Q. Wu, and X. Yue, "Contact-free palm-vein recognition based on local invariant features," *PloS one*, vol. 9, no. 5, p. e97548, 2014.
- [27] E. C. Lee, H. C. Lee, and K. R. Park, "Finger vein recognition using minutia-based alignment and local binary pattern-based feature extraction," *International Journal of Imaging Systems and Technology*, vol. 19, no. 3, pp. 179–186, 2009.
- [28] B. J. Kang, K. R. Park, J.-H. Yoo, and J. N. Kim, "Multimodal biometric method that combines veins, prints, and shape of a finger," *Optical Engineering*, vol. 50, no. 1, pp. 017 201–017 201, 2011.
- [29] X. Tan and B. Triggs, "Enhanced local texture feature sets for face recognition under difficult lighting conditions," *IEEE transactions on image processing*, vol. 19, no. 6, pp. 1635–1650, 2010.
- [30] B. A. Rosdi, C. W. Shing, and S. A. Suandi, "Finger vein recognition using local line binary pattern," *Sensors*, vol. 11, no. 12, pp. 11 357–11 371, 2011.
- [31] S. A. Radzi, M. K. Hani, and R. Bakhteri, "Finger-vein biometric identification using convolutional neural network," *Turkish Journal of Electrical Engineering and Computer Sciences*, vol. 24, no. 3, pp. 1863–1878, 2016.
- [32] K. Itqan, A. Syafeeza, F. Gong, N. Mustafa, Y. Wong, and M. Ibrahim, "User identification system based on finger-vein

- patterns using convolutional neural network,” *ARNP Journal of Engineering and Applied Sciences*, vol. 11, no. 5, pp. 3316–3319, 2016.
- [33] J. Wang and G. Wang, “Hand-dorsa vein recognition with structure growing guided cnn,” *Optik*, vol. 149, pp. 469–477, 2017.
- [34] H. G. Hong, M. B. Lee, and K. R. Park, “Convolutional neural network-based finger-vein recognition using nir image sensors,” *Sensors*, vol. 17, no. 6, p. 1297, 2017.
- [35] H. Qin and M. A. El-Yacoubi, “Deep representation for finger-vein image-quality assessment,” *IEEE Transactions on Circuits and Systems for Video Technology*, vol. 28, no. 8, pp. 1677–1693, 2017.
- [36] A. Krizhevsky, I. Sutskever, and G. E. Hinton, “Imagenet classification with deep convolutional neural networks,” *Advances in neural information processing systems*, vol. 25, 2012.
- [37] K. Simonyan and A. Zisserman, “Very deep convolutional networks for large-scale image recognition,” *arXiv preprint arXiv:1409.1556*, 2014.
- [38] D. Zhong, S. Liu, W. Wang, and X. Du, “Palm vein recognition with deep hashing network,” in *Pattern Recognition and Computer Vision: First Chinese Conference, PRCV 2018, Guangzhou, China, November 23-26, 2018, Proceedings, Part I 1*. Springer, 2018, pp. 38–49.
- [39] A. Sharif Razavian, H. Azizpour, J. Sullivan, and S. Carlsson, “Cnn features off-the-shelf: an astounding baseline for recognition,” in *Proceedings of the IEEE conference on computer vision and pattern recognition workshops*, 2014, pp. 806–813.
- [40] J. Wang, K. Yang, Z. Pan, G. Wang, M. Li, and Y. Li, “Minutiae-based weighting aggregation of deep convolutional features for vein recognition,” *IEEE Access*, vol. 6, pp. 61 640–61 650, 2018.
- [41] B. Huang, Y. Dai, R. Li, D. Tang, and W. Li, “Finger-vein authentication based on wide line detector and pattern normalization,” in *2010 20th international conference on pattern recognition*. IEEE, 2010, pp. 1269–1272.
- [42] M. A. Syarif, T. S. Ong, A. B. Teoh, and C. Tee, “Enhanced maximum curvature descriptors for finger vein verification,” *Multimedia Tools and Applications*, vol. 76, pp. 6859–6887, 2017.
- [43] P. Zhao, S. Zhao, J.-H. Xue, W. Yang, and Q. Liao, “The neglected background cues can facilitate finger vein recognition,” *Pattern Recognition*, vol. 136, p. 109199, 2023.
- [44] W. Yang, C. Hui, Z. Chen, J.-H. Xue, and Q. Liao, “Fv-gan: Finger vein representation using generative adversarial networks,” *IEEE Transactions on Information Forensics and Security*, vol. 14, no. 9, pp. 2512–2524, 2019.
- [45] Y. Song, P. Zhao, W. Yang, Q. Liao, and J. Zhou, “Eifnet: An explicit and implicit feature fusion network for finger vein verification,” *IEEE Transactions on Circuits and Systems for Video Technology*, vol. 33, no. 5, pp. 2520–2532, 2022.
- [46] A. Dosovitskiy, L. Beyer, A. Kolesnikov, D. Weissenborn, X. Zhai, T. Unterthiner, M. Dehghani, M. Minderer, G. Heigold, S. Gelly *et al.*, “An image is worth 16x16 words: Transformers for image recognition at scale,” *arXiv preprint arXiv:2010.11929*, 2020.
- [47] J. Huang, W. Luo, W. Yang, A. Zheng, F. Lian, and W. Kang, “Fvt: Finger vein transformer for authentication,” *IEEE Transactions on Instrumentation and Measurement*, vol. 71, pp. 1–13, 2022.
- [48] J. Rice, “Apparatus for the identification of individuals,” Oct. 13 1987, uS Patent 4,699,149.
- [49] J. Cross and C. Smith, “Thermographic imaging of the subcutaneous vascular network of the back of the hand for biometric identification,” in *Proceedings The Institute of Electrical and Electronics Engineers. 29th Annual 1995 International Carnahan Conference on Security Technology*. IEEE, 1995, pp. 20–35.
- [50] C.-L. Lin and K.-C. Fan, “Biometric verification using thermal images of palm-dorsa vein patterns,” *IEEE Transactions on Circuits and Systems for Video Technology*, vol. 14, no. 2, pp. 199–213, 2004.
- [51] A. Kumar and K. V. Prathyusha, “Personal authentication using hand vein triangulation and knuckle shape,” *IEEE Transactions on Image processing*, vol. 18, no. 9, pp. 2127–2136, 2009.
- [52] D. Huang, Y. Tang, Y. Wang, L. Chen, and Y. Wang, “Hand-dorsa vein recognition by matching local features of multisource keypoints,” *IEEE transactions on cybernetics*, vol. 45, no. 9, pp. 1823–1837, 2014.
- [53] X. Li, D. Huang, and Y. Wang, “Comparative study of deep learning methods on dorsal hand vein recognition,” in *Biometric Recognition: 11th Chinese Conference, CCBR 2016, Chengdu, China, October 14-16, 2016, Proceedings 11*. Springer, 2016, pp. 296–306.
- [54] J. Wang and G. Wang, “Quality-specific hand vein recognition system,” *IEEE Transactions on Information Forensics and Security*, vol. 12, no. 11, pp. 2599–2610, 2017.
- [55] P. Gupta and P. Gupta, “Multibiometric authentication system using slap fingerprints, palm dorsal vein, and hand geometry,” *IEEE Transactions on Industrial Electronics*, vol. 65, no. 12, pp. 9777–9784, 2018.
- [56] D. Zhong, H. Shao, and X. Du, “A hand-based multi-biometrics via deep hashing network and biometric graph matching,” *IEEE Transactions on Information Forensics and Security*, vol. 14, no. 12, pp. 3140–3150, 2019.
- [57] G. Wang, C. Sun, and A. Sowmya, “Learning a compact vein discrimination model with generated samples,” *IEEE Transactions on Information Forensics and Security*, vol. 15, pp. 635–650, 2019.
- [58] Y.-P. Lee, “Palm vein recognition based on a modified,” *Signal, image and video processing*, vol. 9, no. 1, pp. 229–242, 2015.
- [59] X. Ma, X. Jing, H. Huang, Y. Cui, and J. Mu, “Palm vein recognition scheme based on an adaptive gabor filter,” *Iet Biometrics*, vol. 6, no. 5, pp. 325–333, 2017.
- [60] M. Xin and J. Xiaojun, “Palm vein recognition method based on fusion of local gabor histograms,” *The Journal of China Universities of Posts and Telecommunications*, vol. 24, no. 6, pp. 55–66, 2017.
- [61] Y. Zhou and A. Kumar, “Human identification using palm-vein images,” *IEEE transactions on information forensics and security*, vol. 6, no. 4, pp. 1259–1274, 2011.
- [62] S. Bharathi and R. Sudhakar, “Biometric recognition using finger and palm vein images,” *Soft Computing*, vol. 23, no. 6, pp. 1843–1855, 2019.
- [63] W. Kang and Q. Wu, “Contactless palm vein recognition using a mutual foreground-based local binary pattern,” *IEEE transactions on Information Forensics and Security*, vol. 9, no. 11, pp. 1974–1985, 2014.
- [64] D. Frontasari and D. Gunawan, “Palm vein recognition by using modified of local binary pattern (lbp) for extraction feature,” in *2017 15th International Conference on Quality in Research (QIR): International Symposium on Electrical and Computer Engineering*. IEEE, 2017, pp. 18–22.
- [65] W. Lu, M. Li, and L. Zhang, “Palm vein recognition using directional features derived from local binary patterns,” *International Journal of Signal Processing, Image Processing and Pattern Recognition*, vol. 9, no. 5, pp. 87–98, 2016.
- [66] S.-J. Horng, D.-T. Vu, T.-V. Nguyen, W. Zhou, and C.-T. Lin, “Recognizing palm vein in smartphones using rgb images,”

- IEEE Transactions on Industrial Informatics*, vol. 18, no. 9, pp. 5992–6002, 2021.
- [67] A. Vaswani, N. Shazeer, N. Parmar, J. Uszkoreit, L. Jones, A. N. Gomez, L. Kaiser, and I. Polosukhin, “Attention is all you need,” 2017.
- [68] A. Dosovitskiy, L. Beyer, A. Kolesnikov, D. Weissenborn, X. Zhai, T. Unterthiner, M. Dehghani, M. Minderer, G. Heigold, S. Gelly, J. Uszkoreit, and N. Houlsby, “An image is worth 16x16 words: Transformers for image recognition at scale,” 2021.
- [69] A. K. Sharma and N. K. Verma, “Quick learning mechanism with cross-domain adaptation for intelligent fault diagnosis,” *IEEE Transactions on Artificial Intelligence*, pp. 1–1, 2021.
- [70] T. Ojala, M. Pietikäinen, and T. Mäenpää, “A generalized local binary pattern operator for multiresolution gray scale and rotation invariant texture classification,” in *Advances in Pattern Recognition—ICAPR 2001: Second International Conference Rio de Janeiro, Brazil, March 11–14, 2001 Proceedings 2*. Springer, 2001, pp. 399–408.
- [71] W. Kim, J. M. Song, and K. R. Park, “Multimodal biometric recognition based on convolutional neural network by the fusion of finger-vein and finger shape using near-infrared (nir) camera sensor,” *Sensors*, vol. 18, no. 7, p. 2296, 2018.
- [72] C. Xie and A. Kumar, “Finger vein identification using convolutional neural network and supervised discrete hashing,” *Pattern Recognition Letters*, vol. 119, pp. 148–156, 2019.
- [73] A. Sharma, S. Verma, M. Vatsa, and R. Singh, “On cross spectral periocular recognition,” in *2014 IEEE International Conference on Image Processing (ICIP)*. IEEE, 2014, pp. 5007–5011.
- [74] M. S. M. Asaari, S. A. Suandi, and B. A. Rosdi, “Fusion of band limited phase only correlation and width centroid contour distance for finger based biometrics,” *Expert Systems with Applications*, vol. 41, no. 7, pp. 3367–3382, 2014.
- [75] F. Ahmad, L.-M. Cheng, and A. Khan, “Lightweight and privacy-preserving template generation for palm-vein-based human recognition,” *IEEE Transactions on Information Forensics and Security*, vol. 15, pp. 184–194, 2019.
- [76] G. Santos, E. Grancho, M. V. Bernardo, and P. T. Fiadeiro, “Fusing iris and periocular information for cross-sensor recognition,” *Pattern Recognition Letters*, vol. 57, pp. 52–59, 2015.
- [77] K. Oh, B.-S. Oh, K.-A. Toh, W.-Y. Yau, and H.-L. Eng, “Combining sclera and periocular features for multi-modal identity verification,” *Neurocomputing*, vol. 128, pp. 185–198, 2014.
- [78] C.-L. Lin, S.-H. Wang, H.-Y. Cheng, K.-C. Fan, W.-L. Hsu, and C.-R. Lai, “Bimodal biometric verification using the fusion of palmprint and infrared palm-dorsum vein images,” *Sensors*, vol. 15, no. 12, pp. 31 339–31 361, 2015.
- [79] S. Daas, A. Yahi, T. Bakir, M. Sedhane, M. Boughazi, and E.-B. Bourennane, “Multimodal biometric recognition systems using deep learning based on the finger vein and finger knuckle print fusion,” *IET Image Processing*, vol. 14, no. 15, pp. 3859–3868, 2020.
- [80] K. J. Noh, J. Choi, J. S. Hong, and K. R. Park, “Finger-vein recognition based on densely connected convolutional network using score-level fusion with shape and texture images,” *Ieee Access*, vol. 8, pp. 96 748–96 766, 2020.
- [81] S. Li, B. Zhang, S. Zhao, and J. Yang, “Local discriminant coding based convolutional feature representation for multimodal finger recognition,” *Information Sciences*, vol. 547, pp. 1170–1181, 2021.
- [82] Y. Huang, H. Ma, and M. Wang, “Multimodal finger recognition based on asymmetric networks with fused similarity,” *IEEE Access*, vol. 11, pp. 17 497–17 509, 2023.



**Arun K. Sharma** has submitted his PhD Thesis at the Dept. of Electrical engineering, Indian Institute of Technology Kanpur, India. He has completed Master of Technology from the Indian Institute of Technology, Kharagpur in Instrumentation specialization. His research interests are signal processing, deep learning in medical image analysis, intelligent control systems, intelligent fault diagnosis, fuzzy systems, and their applications. He has been a reviewer for several reputed journals, such as the IEEE Transactions on Aerospace and Electronic Systems (TAES), the IEEE Transactions on Fuzzy Systems, and the IEEE Computational Intelligence Magazine.



**Shuhbobrata Bhattacharya** as received his B.Tech. degree in Electrical Engineering from Kolaghat Enginnering College and M. Tech. degree in Electrical Engineering from the Indian Institute of Technology (IIT) Kharagpur, India. He received his PhD from IIT Kharagpur. His research interests include (a) computer vision, (b) machine learning, (c) linear algebra (d) image processing. At present, he is working as a Training and Application Engineer at MathWorks India Private Limited, Hyderabad.



**Motahar Reza** received his B.Sc. in Mathematics (Honors) from Calcutta University, his M.Sc. in Applied Mathematics from Jadavpur University, Kolkata, and his M.Tech in Data Science and Engineering from BITS Pilani. He earned his Ph.D. from the Indian Institute of Technology, Kharagpur. He was awarded the BOYSCAST Fellowship by the DST, Government of India, for research at LSTM, Friedrich-Alexander-Universität Erlangen-Nürnberg, Germany. In 2008, he received the Orissa Young Scientist Award. He has secured numerous research and other grants from SERB, DST, AICTE, DRDO, CSIR, and TEQIP-II BPUT under various schemes. His current research interests include Machine Learning, Data Science, Parallel Algorithms, and Computational Science. He is currently an Associate Professor at GITAM University, Hyderabad, India.