

---

# LASE: Learned Adjacency Spectral Embeddings

**Sofía Pérez Casulo**

*Facultad de Ingeniería  
Universidad de la República*

*sperez@fing.edu.uy*

**Marcelo Fiori**

*Facultad de Ingeniería  
Universidad de la República*

*mfiori@fing.edu.uy*

**Federico Larroca**

*Facultad de Ingeniería  
Universidad de la República*

*flarroca@fing.edu.uy*

**Gonzalo Mateos**

*Department of Electrical and Computer Engineering  
University of Rochester*

*gmateosb@ece.rochester.edu*

## Abstract

We put forth a principled design of a neural architecture to learn nodal Adjacency Spectral Embeddings (ASE) from graph inputs. By bringing to bear the gradient descent (GD) method and leveraging the principle of algorithm unrolling, we truncate and re-interpret each GD iteration as a layer in a graph neural network (GNN) that is trained to approximate the ASE. Accordingly, we call the resulting embeddings and our parametric model Learned ASE (LASE), which is interpretable, parameter efficient, robust to inputs with unobserved edges, and offers controllable complexity during inference. LASE layers combine Graph Convolutional Network (GCN) and fully-connected Graph Attention Network (GAT) modules, which is intuitively pleasing since GCN-based local aggregations alone are insufficient to express the sought graph eigenvectors. We propose several refinements to the unrolled LASE architecture (such as sparse attention in the GAT module and decoupled layerwise parameters) that offer favorable approximation error versus computation tradeoffs; even outperforming heavily-optimized eigendecomposition routines from scientific computing libraries. Because LASE is a differentiable function with respect to its parameters as well as its graph input, we can seamlessly integrate it as a trainable module within a larger (semi-)supervised graph representation learning pipeline. The resulting end-to-end system effectively learns “discriminative ASEs” that exhibit competitive performance in supervised link prediction and node classification tasks, outperforming a GNN even when the latter is endowed with open loop, meaning task-agnostic, precomputed spectral positional encodings.

## 1 Introduction

The expressive power of Graph Neural Networks (GNNs) has been the subject of much research interest over the last few years. In particular, useful links drawn between the classic Weisfeiler-Leman graph isomorphism test and the message-passing Graph Convolutional Network (GCN) have shed light on the incapacity of this class of GNNs to distinguish between some graphs which are structurally different (Xu et al., 2018). These (and other related) findings have motivated a host of alternative GNN architectures with increased expressive power; see e.g., (Sato, 2020; Morris et al., 2024) and references therein.

Instead of modifying the architecture, an alternative to remedy the GCN’s inability to distinguish between some non-isomorphic graphs is to endow each node with additional signals (i.e., features or attributes) to break structural symmetries leading to ambiguities. Early works advocated using a unique identifier for each

node, via one-hot encoding or a randomly generated label. While simple, these schemes seriously limit the transferability of the learned architecture to other graphs, and may lead to functions that are not equivariant to node permutations (Vignac et al., 2020). This has motivated the use of so-called positional or structural encodings (PE) (Srinivasan & Ribeiro, 2020), as simple as the degree of the node or sophisticated and global as the eigenvectors of the graph adjacency or Laplacian matrices (Rampásek et al., 2022).

**Objectives, context, and motivating challenges.** Here we revisit *spectral* embeddings derived from the eigendecomposition of the graph’s adjacency matrix; see e.g., (Lim et al., 2023) and we note extensions to Laplacian embeddings are straightforward. Spectral embeddings are central to unsupervised node clustering methods (von Luxburg, 2007), which intuitively motivates why information encoded in the graph eigenvectors may be used to specify vertex positions in latent space. This intuition is further justified if we assume that the graph’s structure stems from a Random Dot Product Graph (RDPG) (Athreya et al., 2017), a generative model that subsumes the classic Stochastic Block Model (SBM) and which has close ties to the general class of latent position network models (Hoff et al., 2002). RDPGs associate a vector  $\mathbf{x}_i \in \mathcal{X} \subset \mathbb{R}^d$  to each node, and specify that an edge exists between nodes  $i$  and  $j$  with probability given by the inner-product  $\mathbf{x}_i^\top \mathbf{x}_j$  of the corresponding embeddings; independently of all other edges. That is, the random adjacency matrix  $\mathbf{A} \in \{0, 1\}^{N \times N}$  has entries  $A_{ij} \sim \text{Bernoulli}(\mathbf{x}_i^\top \mathbf{x}_j)$ , where  $N$  is the number of vertices. Unsurprisingly, the solution to the embedding problem of estimating nodal positions from an observed graph is given in terms of the adjacency matrix eigenvectors (Athreya et al., 2017); see Section 2.1.

Our main contribution is the principled design of a neural architecture to learn these *Adjacency Spectral Embeddings (ASE)* solely from (undirected and unweighted) graph inputs. As we discuss in Section 5, there have been previous efforts aiming to learn nodal PEs. However, virtually all these works *precompute* a set of PEs which are then fed as inputs to a neural architecture that, for instance, decouples how to refine the PEs and the node representations in a GNN (Dwivedi et al., 2022); or, (in a way akin to an autoencoder) train a GNN followed by a multilayer perceptron to reconstruct these input PEs (Liu et al., 2024). This pre-computation step may prove too costly for large graphs, and needs to be carried out repeatedly in inductive settings that embed multiple graphs from some underlying distribution. Our goal is to avoid this overhead altogether and design a model that learns ASEs in an unsupervised manner. Post training, embeddings of new graphs are efficiently obtained via a forward pass through a neural network (NN).

The biggest challenge to this end lies in the impossibility of computing the eigendecomposition of  $\mathbf{A}$  (i.e., the ASE) through a GCN, at least in several important settings. For instance, consider a symmetric SBM graph with two equally-sized communities that have the same connection probabilities. Each node will locally “see” the same structure, and if the input node features have the same characteristics across clusters, the GCN will fail to generate distinct node embeddings for vertices that belong in different communities. This pitfall can be formalized by using graphons, a fairly general non-parametric model for large graphs. In particular, (Magner et al., 2020) identified the degree profile of the graph (i.e., the expected degree of each node) as the feature that enables a GNN to distinguish between two graphons. The Graphon Neural Network framework is particularly illuminating (Ruiz et al., 2020), and these expressive power conclusions still hold true for more general kernel-based graph generative models (Keriven & Vaiter, 2023). See Section 2.2 for an illustrative example and associated discussion about this inherent limitation of GNNs that motivates our work.

**Technical approach.** Adopting a low-rank adjacency matrix factorization perspective to the spectral embedding problem, one can bring to bear the gradient descent (GD) method that is provably locally convergent to the ASE solution (Fiori et al., 2024). The optimization formulation is flexible to accommodate embeddings of partially observed graphs, and the GD solver is competitive in terms of computation cost when benchmarked against standard eigendecomposition libraries. Starting from these GD iterations and leveraging the technique of algorithm unrolling (a.k.a. deep unfolding) (Gregor & LeCun, 2010; Monga et al., 2021), we truncate and re-interpret each iteration of the algorithm as a layer in a (graph) NN that can be trained to approximate the ASE. Accordingly, we call the resulting embeddings and our parametric model Learned ASE (LASE), which is interpretable, parameter efficient, robust to inputs with missing edges, and offers controllable complexity during inference. With regards to interpretability, LASE layers entail a superposition of GCN and *fully-connected* Graph Attention Network (GAT) modules (Veličković et al., 2018; Shi et al., 2021), which is intuitively pleasing since (as argued before) GCN-based local aggregations alone are insufficient to express the sought graph eigenvectors. We empirically show that refinements of the vanilla

LASE architecture (such as sparse attention in the GAT module) can result in favorable approximation error versus computation tradeoffs, even outperforming heavily-optimized routines to estimate the top eigenvectors in scientific computing libraries (Chung et al., 2019). This makes LASE a valuable alternative in scenarios where limited computational resources render eigencomposition of moderately large graphs infeasible (say in a PE pre-computation step), or, when the input graphs to be embedded are only partially observed due to e.g., sampling, memory, or privacy constraints.

Because LASE is a differentiable function with respect to its parameters as well as its graph input, we can seamlessly integrate it as a trainable module within a larger (semi-)supervised graph representation learning (GRL) pipeline. That is, instead of using pre-trained LASE embeddings along nodal features as inputs to e.g., a GNN, consider instead training an *end-to-end* system whose loss function takes into account both the task at hand (e.g., link prediction) as well as the reconstruction errors  $|\mathbf{x}_i^\top \mathbf{x}_j - A_{ij}|$  between the output of the LASE decoder and the given adjacency matrix; see (Chami et al., 2022). In the end-to-end system training entails optimizing LASE and GNN parameters *jointly*. We show the resulting architecture effectively learns “discriminative ASEs” that exhibit competitive performance in link prediction and node classification tasks, outperforming a GNN even when the latter is endowed with precomputed, but task-agnostic, spectral PEs.

**Summary of contributions.** In this work, we contribute the following technical GRL innovations and provide experimental evidence to support our claims:

- We propose LASE (Section 3), an unsupervised NN model that can be trained to approximate spectral embeddings of input graphs, even in scenarios where GNNs fail because of their well-documented limitations to express graph eigenvectors. The permutation-equivariant LASE architecture is designed by unrolling a GD method to compute ASEs, i.e., we truncate and map algorithm iterations to interpretable and parameter-efficient NN layers that combine graph convolution and transformer modules. The unrolling offers an explicit handle on complexity leading to faster (post training) inference times and satisfactory ASE approximation error performance, even when a sizable fraction of input graph data are missing; see the tests in Section 4.1.
- We introduce architectural and methodological refinements with an eye towards scalability in resource-constrained settings (Section 3.3). Leveraging sparse attention in the GAT module of the LASE layer enables embedding larger graphs, where spectral decomposition may prove computationally impractical. Since LASE is inductive, we propose a methodology whereby training is performed on smaller sub-graphs. Subsequent inference on the entire graph becomes feasible because of the simplicity of LASE’s layers, and yields vectors with minimal performance degradation relative to ASE, the eigendecomposition gold standard.
- In Section 3.4 we integrate LASE in a semi-supervised GRL pipeline that can be trained in an end-to-end fashion, endowing the learned PEs with a discriminative bias for the task at hand (e.g., node classification or link prediction in our tests). Comprehensive and reproducible experiments on numerous synthetic and real-world datasets demonstrate the resulting architecture outperforms a GNN baseline supplemented with precomputed PEs, especially if there are unknown edges in the input graph; see the tests in Section 4.2.

## 2 Background

Here we briefly review the graph spectral embedding problem associated with RDPGs, introduce GNNs and discuss challenges facing their ability to express graph eigenvectors (hence, spectral node embeddings). We also outline the basic ideas behind the algorithm unrolling principle, which we will leverage in Section 3 to design a NN that can learn to approximate spectral embeddings of graphs adhering to the RDPG model.

### 2.1 Adjacency spectral embedding

Recall the RDPG model for undirected and unweighted graphs  $G(\mathcal{V}, \mathcal{E})$  introduced in Section 1, and let us state the associated node embedding problem. To this end, start by stacking all the nodes’ latent position vectors  $\mathbf{x}_i \in \mathbb{R}^d$ ,  $i \in \mathcal{V}$ , in the matrix  $\mathbf{X} = [\mathbf{x}_1, \dots, \mathbf{x}_N]^\top \in \mathbb{R}^{N \times d}$ . The RDPG model specifies edge-wise formation probabilities  $P_{ij} := \mathbf{x}_i^\top \mathbf{x}_j$  for each unordered pair  $(i, j) \in \mathcal{V} \times \mathcal{V}$ , which correspond to the entries of the rank- $d$ , positive semidefinite (PSD) matrix  $\mathbf{P} := \mathbf{X}\mathbf{X}^\top$ . Recalling  $A_{ij} \sim \text{Bernoulli}(\mathbf{x}_i^\top \mathbf{x}_j)$  for  $i \neq j$  and

because the diagonal entries in  $\mathbf{A}$  are zero (we model graphs with no self loops), then we say  $\mathbf{A} \sim \text{RDPG}(\mathbf{X})^1$  and have  $\mathbb{E}[\mathbf{A} \mid \mathbf{X}] = \mathbf{M} \circ \mathbf{P}$ , where  $\circ$  is the entry-wise or Hadamard product and  $\mathbf{M} = \mathbf{1}_N \mathbf{1}_N^\top - \mathbf{I}_N$  is a mask matrix with ones everywhere except in the diagonal where it is zero. Given the observed adjacency matrix  $\mathbf{A} \sim \text{RDPG}(\mathbf{X})$  of  $G(\mathcal{V}, \mathcal{E})$  and a prescribed embedding dimension  $d$ , the goal is to estimate  $\mathbf{X}$ . Typically,  $d \ll N$  is obtained using an elbow rule on  $\mathbf{A}$ 's eigenvalue scree plot (Chung et al., 2019).

Since a maximum likelihood estimator of  $\mathbf{X}$  is computationally challenging and may not be unique (Xie & Xu, 2023), a natural alternative is to try least-squares (LS) instead (Scheinerman & Tucker, 2010), namely

$$\hat{\mathbf{X}} \in \arg \min_{\mathbf{X} \in \mathbb{R}^{N \times d}} \|\mathbf{M} \circ (\mathbf{A} - \mathbf{X}\mathbf{X}^\top)\|_F^2. \quad (1)$$

In words,  $\hat{\mathbf{P}} = \hat{\mathbf{X}}\hat{\mathbf{X}}^\top$  is the best rank- $d$  PSD approximant to the off-diagonal entries of the adjacency matrix  $\mathbf{A}$ , in the Frobenius-norm sense. The RDPG model is identifiable modulo rotations (i.e., for any orthogonal matrix  $\mathbf{T} \in \mathbb{R}^{d \times d}$  we have  $\mathbf{X}\mathbf{T}(\mathbf{X}\mathbf{T})^\top = \mathbf{X}\mathbf{X}^\top = \mathbf{P}$ ), and accordingly the solution of (1) is not unique.

Entrywise multiplication with  $\mathbf{M} = \mathbf{1}_N \mathbf{1}_N^\top - \mathbf{I}_N$  effectively discards the residuals corresponding to the diagonal entries of  $\mathbf{A}$ . If suitably redefined, the binary mask  $\mathbf{M}$  may be used for other purposes, such as accounting for unobserved edges if data are missing. For instance, in a recommender system we typically have the rating of each user over only a limited number of items. These missing data may be accounted for in (1) by zeroing out the entries of  $\mathbf{M}$  corresponding to vertex pairs for which edge status is unobserved.

Typically the mask  $\mathbf{M}$  is ignored (and sometimes non-zero values are iteratively imputed to the diagonal of  $\mathbf{A}$  (Scheinerman & Tucker, 2010)), which results in a closed-form solution for  $\hat{\mathbf{X}}$ . Indeed, if we let  $\mathbf{M} = \mathbf{1}_N \mathbf{1}_N^\top$  in (1), we have that  $\hat{\mathbf{X}} = \hat{\mathbf{V}}\hat{\mathbf{\Lambda}}^{1/2}$ , where  $\mathbf{A} = \mathbf{V}\mathbf{\Lambda}\mathbf{V}^\top$  is the eigendecomposition of  $\mathbf{A}$ ,  $\hat{\mathbf{\Lambda}} \in \mathbb{R}^{d \times d}$  is a diagonal matrix with the  $d$  largest-magnitude eigenvalues of  $\mathbf{A}$ , and  $\hat{\mathbf{V}} \in \mathbb{R}^{N \times d}$  are the associated eigenvectors. This workhorse estimator is known as the Adjacency Spectral Embedding (ASE); see also (Athreya et al., 2017) for consistency and asymptotic normality results, as well as applications of statistical inference with RDPGs.

## 2.2 Graph neural networks vis-a-vis spectral embeddings

**Graph convolutional filters, frequency representation, and GNNs.** A GNN layer entails a graph convolution followed by a pointwise non-linearity. The former can be represented as a polynomial

$$\mathbf{X}_{\text{out}} = \sum_{k=0}^K \mathbf{A}^k \mathbf{X}_{\text{in}} \mathbf{H}_k, \quad (2)$$

where the input graph signal  $\mathbf{X}_{\text{in}} \in \mathbb{R}^{N \times F^{\text{in}}}$  has  $F^{\text{in}}$  features per node, the output signal  $\mathbf{X}_{\text{out}} \in \mathbb{R}^{N \times F^{\text{out}}}$  has  $F^{\text{out}}$  nodal features, and  $\mathbf{H}_k \in \mathbb{R}^{F^{\text{in}} \times F^{\text{out}}}$  is a matrix of learnable filter coefficients. Note that in (2) we use the adjacency matrix and its powers for simplicity; one could use other graph shift operators such as the Laplacian, or, degree-normalized versions of any of these matrix representations of graph structure. See also Appendix A.1 and the tutorial (Isufi et al., 2024) for additional background on graph convolutional filters. In particular, discussion in (Isufi et al., 2024, Section VIII-A) argues that the polynomial representation (2) that is mainstream in graph signal processing circles subsumes ‘‘combination and aggregation’’ operations in several message-passing GNN models, for specific choices of  $K$ ,  $\mathbf{H}_k$ , and the graph shift operator.

Graph filters can be equivalently represented in the graph spectral (frequency) domain. To see this, consider  $F^{\text{in}} = F^{\text{out}} = 1$  to simplify exposition and once more let  $\mathbf{A} = \mathbf{V}\mathbf{\Lambda}\mathbf{V}^\top$ , where  $\mathbf{\Lambda} = \text{diag}(\lambda_1, \dots, \lambda_N)$  collects the graph eigenvalues and  $\mathbf{V} = [\mathbf{v}_1, \dots, \mathbf{v}_N]$  the respective orthonormal eigenvectors. Defining  $\tilde{\mathbf{x}} = \mathbf{V}^\top \mathbf{x}$  as the Graph Fourier Transform (GFT) of a graph signal  $\mathbf{x}$ , it follows that the GFT of  $\mathbf{x}_{\text{out}}$  in (2) is

$$\tilde{\mathbf{x}}_{\text{out}} = \left( \sum_{k=0}^K h_k \mathbf{\Lambda}^k \right) \tilde{\mathbf{x}}_{\text{in}},$$

<sup>1</sup>We have treated  $\mathbf{X}$  as deterministic. One could also assume that the latent position vectors  $\mathbf{x}_i \in \mathbb{R}^d$ ,  $i \in \mathcal{V}$  are random and drawn i.i.d. from a suitable ‘‘inner-product’’ distribution  $F$  supported in  $\mathcal{X} \subseteq \mathbb{R}^d$ ; see e.g., (Athreya et al., 2017). The (hierarchical) RDPG model that consists of drawing  $\mathbf{X} \sim F$  and then  $\mathbf{A} \mid \mathbf{X} \sim \text{RDPG}(\mathbf{X})$  is denoted as  $\{\mathbf{A}, \mathbf{X}\} \sim \text{RDPG}(F)$ .

which is a pointwise equality since  $\mathbf{A}$  is diagonal. Furthermore, we may recover the actual output signal via the inverse GFT  $\mathbf{x}_{\text{out}} = \mathbf{V}\tilde{\mathbf{x}}_{\text{out}}$ . These results are easier to grasp in terms of inner products and orthonormal signal decompositions. GFT coefficients in  $\tilde{\mathbf{x}}_{\text{in}}$  correspond to the inner product between  $\mathbf{x}$  and the corresponding eigenvectors – i.e., the graph’s frequency modes. To carry out the graph convolution, the  $i$ -th coordinate  $\tilde{x}_{\text{in},i}$  is scaled by the filter’s frequency response  $\tilde{h}(\lambda_i) := \sum_{k=0}^K h_k \lambda_i^k$  at frequency  $\lambda_i$ , to yield  $\tilde{x}_{\text{out},i}$ . Finally, each eigenvector  $\mathbf{v}_i$  is scaled by  $\tilde{x}_{\text{out},i}$  and summing over frequencies yields  $\mathbf{x}_{\text{out}} = \sum_{i=1}^N \tilde{x}_{\text{out},i} \mathbf{v}_i$ . Recapping, signal  $\mathbf{x}_{\text{in}}$  is decomposed in terms of the columns of  $\mathbf{V}$ , each component is then filtered via  $\tilde{h}(\lambda_i)$ , and the output is a new combination of the columns of  $\mathbf{V}$  using these filtered coefficients.

These insights carry over to the multi-channel graph filter (2), since  $\mathbf{X}_{\text{out}}$  is a linear combination of several single-channel filters. Furthermore, a GNN layer is simply a pointwise non-linear operation  $\sigma(\cdot)$  (e.g.,  $\sigma(\mathbf{x}) = \text{ReLU}(\mathbf{x})$ ) applied to the output of the graph convolution. Apparently, this frequency domain viewpoint suggests eigenvectors of  $\mathbf{A}$  play a crucial role in the expressivity of a GNN, as we now further illustrate; see also the studies in e.g., Kanatsoulis & Ribeiro (2024); Ruiz et al. (2024).

**On GNN’s ability to express graph eigenvectors and spectral embeddings.** Consider for instance a regular graph where all nodes have the same degree  $r$ , implying that  $\mathbf{v}_1 = \frac{\mathbf{1}_N}{\sqrt{N}}$  is an eigenvector of  $\mathbf{A}$  associated to eigenvalue  $\lambda_1 = r$ . Suppose we want to perform node clustering through a GNN in a fully unsupervised manner. Since we only know the graph’s structure and have no informative nodal attributes we could choose as an input signal, we are free to choose whatever signal we want. For instance,  $\mathbf{x}_{\text{in}} = \frac{\mathbf{1}_N}{\sqrt{N}}$  or any other constant signal are widely used in the literature; see e.g., (Morris et al., 2019; Xu et al., 2018). It is clear that the GNN (with one or multiple layers) will output  $\mathbf{x}_{\text{out}} = \sigma\left(\tilde{h}(\lambda_1) \frac{\mathbf{1}_N}{\sqrt{N}}\right)$ , which is also a constant signal and thus ineffective to accomplish our discriminative goal.

The problem lies precisely in using a constant signal as an input, which happened to be one of the eigenvectors, and thus all other information on the graph’s structure is lost because of mutual orthogonality of the frequency modes. A popular alternative to reveal further information by exciting all spectral components is to feed the GNN with zero-mean white noise across nodes (Sato et al., 2021; Abboud et al., 2021; Kanatsoulis & Ribeiro, 2024). For instance, by feeding standard white Gaussian noise to the convolutional layer,  $\tilde{\mathbf{x}}_{\text{out}}$  becomes another zero-mean uncorrelated Gaussian vector, where now each entry has variance equal to  $\tilde{h}^2(\lambda_i)$ . The output signal  $\mathbf{x}_{\text{out}}$  in the vertex domain is thus a linear combination of the columns of  $\mathbf{V}$ , with random weights. Interestingly, it is possible to recover, say, the  $j$ -th eigenvector  $\mathbf{v}_j$  through a graph convolution. For high enough  $K$ , filter coefficients  $h_k$  may be chosen so that  $\tilde{h}(\lambda_i) = 0, \forall i \neq j$  (i.e., a frequency selective or notch filter in the signal processing lingo). Actually, white noise may be used to compute the ASE in (1) through a graph convolution as we show in the following example. However, the example also highlights how this solution is unsatisfactory, since transferability across graph sizes (from the same model) is not possible.

**Example 1 (Symmetric SBM)** Consider a graph  $G(\mathcal{V}, \mathcal{E})$  sampled from an SBM with  $C = 2$  classes of  $N/2 = 100$  nodes each and symmetric inter-class connection probability matrix  $\mathbf{\Pi} = \begin{pmatrix} 0.5 & 0.1 \\ 0.1 & 0.5 \end{pmatrix}$ , where  $d = 2$  is thus enough for  $\tilde{\mathbf{X}}$  in (1). Denote by  $\Phi_G(\mathbf{x}_{\text{in}}; \mathcal{H}) \in \mathbb{R}^{N \times 2}$  the output of the graph convolution using filter coefficients  $\mathcal{H} = \{\mathbf{H}_k \in \mathbb{R}^{1 \times 2}, k = 0, \dots, 20\}$ . Given a white noise sample  $\mathbf{x}_{\text{in}} \in \mathbb{R}^N$ , we want to find filter coefficients  $\mathcal{H}^*$  such that [cf. (1)]

$$\mathcal{H}^* = \arg \min_{\mathcal{H}} \|\mathbf{M} \circ (\mathbf{A} - \Phi_G(\mathbf{x}_{\text{in}}; \mathcal{H}) \Phi_G^\top(\mathbf{x}_{\text{in}}; \mathcal{H}))\|_F^2, \quad (3)$$

where here  $\mathbf{A}$  denotes the adjacency matrix normalized by the number of nodes  $N$ . The optimal coefficients may be found through backpropagation, which results in two set of filter coefficients (corresponding to each output dimension), and thus in two frequency-domain responses  $\tilde{h}_1(\lambda)$  and  $\tilde{h}_2(\lambda)$ . The resulting  $\Phi_G(\mathbf{x}_{\text{in}}; \mathcal{H}^*)$  superimposed to the ASE solution is depicted in Fig. 1 (top-left). The resulting embeddings are very similar, with a total reconstruction error equal to 81.7 and 81.6 for the graph convolution and ASE in (1), respectively.

Now suppose that we want to use the learned architecture to embed nodes from another graph  $G'(\mathcal{V}', \mathcal{E}')$ . Specifically, we consider another SBM graph with the same parameters  $\mathbf{\Pi}$ , except that now both communities have double the size (i.e.,  $N'/2 = 200$  nodes each). So even if we wanted to reuse  $\mathbf{x}_{\text{in}}$  from the previous setting, we must generate 200 new random samples to populate the input  $\mathbf{x}'_{\text{in}} \in \mathbb{R}^{N'}$ . The resulting embeddings  $\Phi_{G'}(\mathbf{x}'_{\text{in}}; \mathcal{H}^*)$  are shown in Fig. 1 (bottom-left), while the reconstruction errors are now 202.6 and 164.7 for

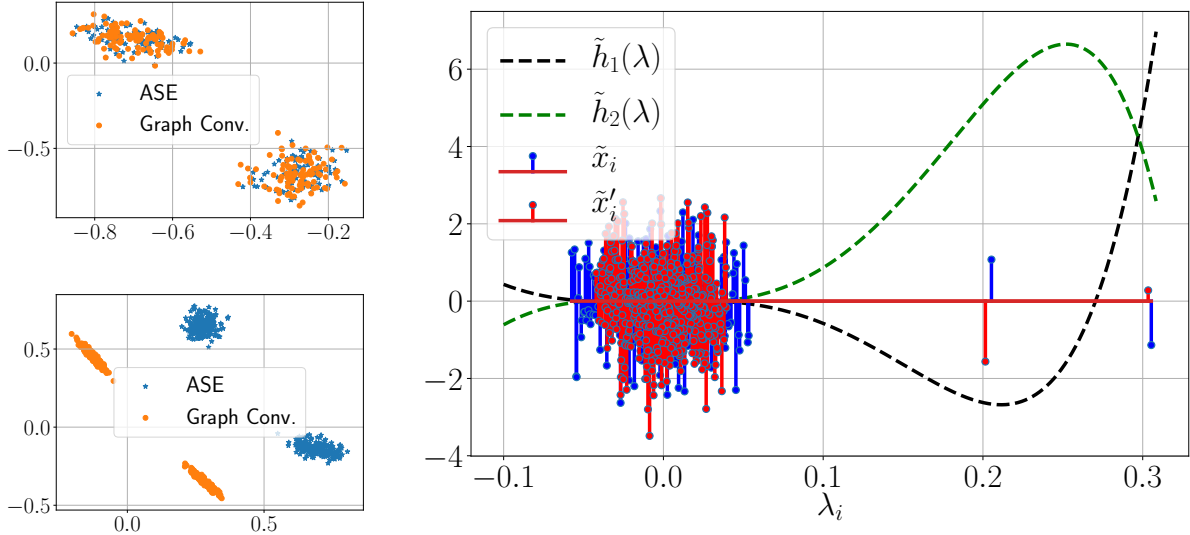


Figure 1: (left) Estimates  $\hat{\mathbf{X}}$  in (1) obtained through ASE and a graph convolution trained as in (3). When using a single white noise sample  $\mathbf{x}_{\text{in}}$  and graph  $G$ , the graph convolution-based embedding is quite accurate (top-left). However, the learned filter coefficients cannot be used to estimate the ASE of another graph with more nodes, even if they stem from the same SBM model (bottom-left). (right) Filter frequency responses  $\tilde{h}_1(\lambda)$  and  $\tilde{h}_2(\lambda)$  for the learned coefficients in (3), as well as the GFT coefficients of both the original signal  $\mathbf{x}_{\text{in}}$  and the new sample  $\mathbf{x}'_{\text{in}}$ . The height of each stem represents the value of the  $i$ -th GFT coefficient, supported on the corresponding frequency  $\lambda_i$ . Since both  $G$  and  $G'$  adhere to the same SBM and we have used a normalized adjacency matrix, their eigenvalues are similar. However, the fact that we were forced to generate new random input samples produced a random combination of the eigenvectors as the output, resulting in inaccurate estimates of  $\hat{\mathbf{X}}$  as shown in the bottom-left subplot.

the graph convolution and ASE, respectively. The reason behind this failure is illustrated in Fig. 1 (right), showing the resulting GFT coefficients of the input signals  $\mathbf{x}_{\text{in}}$  and  $\mathbf{x}'_{\text{in}}$ , supported on the corresponding eigenvalues of  $\mathbf{A}$  and  $\mathbf{A}'$  respectively. The filter coefficients in  $\mathcal{H}^*$ , producing  $\tilde{h}_1(\lambda)$  and  $\tilde{h}_2(\lambda)$ , are such that they overfit the original white noise input  $\mathbf{x}_{\text{in}}$  in order to produce a good approximation of  $\hat{\mathbf{X}}$ . Indeed, notice from Fig. 1 (right) that, as expected, these optimal filters end up relying only on the two dominant components  $\mathbf{v}_1$  and  $\mathbf{v}_2$  (for  $\lambda_1 \approx 0.3$  and  $\lambda_2 \approx 0.2$ ), while all other frequency modes are attenuated and effectively discarded. However, when another noise sample is used the input signal's GFT coefficients can change significantly (compare  $\tilde{x}_1$  vs  $\tilde{x}'_1$  and  $\tilde{x}_2$  vs  $\tilde{x}'_2$  in Fig. 1 (right)), and hence the resulting outputs will be (different) random linear combinations of the corresponding eigenvectors.

Apparently, the preceding example showcases the sensitivity of the predicted spectral embeddings to the input signal  $\mathbf{x}_{\text{in}}$  fed to the convolutional model. One could attempt to train the architecture with several noise samples as input to improve generalization. However, the problem remains, since for any given set of parameters  $\mathcal{H}$ , the output will still be a random linear combination of the eigenvectors and thus generalization is not possible. An alternative is to instead consider a (non-linear) statistic of this random output. For instance, the expected value of the entry-wise square of the output of a convolutional layer; i.e.,  $\mathbb{E}[\Phi_G^2(\mathbf{x}_{\text{in}}; \mathcal{H})]$  (Kanatsoulis & Ribeiro, 2024). However, in this symmetric case we obtain a constant signal (see Appendix A.2 for details), which takes us back to the discussion at the opening of this section. Since the node embedding (i.e., matrix factorization) problem (1) can be solved via factored GD and exhibits robust convergence properties even from random initializations (Fiori et al., 2024; Chi et al., 2019), our idea is to mimic those iterations in a custom NN obtained via algorithm unrolling – the subject dealt with next.

---

**Algorithm 1** An iterative algorithm

---

**Require:** Initialize  $\mathbf{X}_0$  $l \leftarrow 0$ **while** Convergence criteria not met **do** $\mathbf{X}_{l+1} \leftarrow h(\mathbf{X}_l, \theta_l)$  $l \leftarrow l + 1$ **end while****return**  $\mathbf{X}_l$ 

---

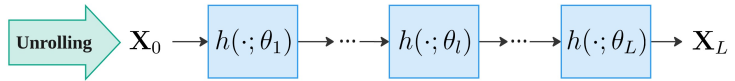


Figure 2: A schematic illustration of the algorithm unrolling principle: given an iterative algorithm (left), each iteration is mapped into a NN layer and the number of iterations is truncated to  $L$ . The layers are then composed to form a deep NN of depth  $L$  (right). Algorithm step-sizes, penalty, or regularization parameters are mapped to NN weights  $\{\theta_l\}$ , and learned from training data by minimizing a suitable loss function.

### 2.3 Algorithm unrolling

The algorithm unrolling (or deep unfolding) technique was pioneered by (Gregor & LeCun, 2010) and consists of truncating and mapping an iterative optimization algorithm into a NN architecture. Each iteration of the algorithm becomes a layer of the NN, and subsequently composed to form a deep NN as depicted in Fig. 2. The mapping process was quite natural in the sparse coding context of (Gregor & LeCun, 2010), since the workhorse iterative shrinkage-thresholding algorithm (ISTA, Beck & Teboulle (2009)) boils down to repeated: (i) linear updates stemming from the gradient of the quadratic LS loss; followed by (ii) a pointwise nonlinear (ReLU-like) soft-thresholding operator (the proximal operator associated to the  $\ell_1$ -norm regularizer). A forward pass through an unrolled NN emulates the execution of the iterative algorithm for a finite number of iterations. Optimization algorithm step-sizes, penalty, or regularization parameters are mapped to NN weights, and therefore learned from data through end-to-end training using backpropagation.

One can view this process as effectively truncating the iterations of an asymptotically convergent procedure, to yield a template architecture that learns to approximate solutions of optimization problems with substantial computational savings relative to the optimization algorithm. For instance, results in (Gregor & LeCun, 2010) show that the learned version of ISTA outputs sparse image representations of comparable performance, but 20x faster than the iterative solver. Moreover, as discussed in (Monga et al., 2021) the unrolled network is amenable to architectural modifications, such as letting the learned parameters vary across different layers instead of being shared. This deviation from the original iterative algorithm can result in major performance gains, as shown in various applications; see e.g., (Ye & Mateos, 2022; Pu et al., 2021; Wasserman et al., 2023; Monga et al., 2021). Finally, the strong inductive biases encoded in the unrolled NN makes these models both parameter and sample efficient (Monga et al., 2021).

## 3 Learned Adjacency Spectral Embedding (LASE)

### 3.1 Problem statement

Suppose we are given training samples of adjacency matrices  $\mathcal{T} := \{\mathbf{A}^{(i)}\}_{i=1}^T$  adhering to an RDPG( $\mathbf{X}$ ) model. These adjacency matrices may be partially observed, in which case each  $\mathbf{A}^{(i)}$  is accompanied by a mask  $\mathbf{M}^{(i)} \in \{1, 0\}^{N \times N}$  encoding which entries  $A_{ij}^{(i)}$  are missing; see Section 2.1. Let  $d$  be a prescribed embedding dimension. Our goal in this paper is to learn a judicious parametric mapping  $\Phi$  that predicts the nodal embeddings  $\hat{\mathbf{X}} = \Phi(\mathbf{A}; \mathcal{H}) \in \mathbb{R}^{N \times d}$  in (1) by minimizing the empirical risk

$$\mathcal{L}(\mathcal{H}) := \frac{1}{T} \sum_{i \in \mathcal{T}} \ell(\mathbf{A}^{(i)}, \Phi(\mathbf{A}^{(i)}; \mathcal{H}) \Phi^\top(\mathbf{A}^{(i)}; \mathcal{H})) \quad (4)$$

to search for the best parameters  $\mathcal{H}$ . The loss  $\ell$  can be adapted to the task at hand. In most cases we will adopt the squared reconstruction error discussed so far, where  $\ell(\mathbf{A}, \Phi(\mathbf{A}; \mathcal{H}) \Phi^\top(\mathbf{A}; \mathcal{H})) :=$

$\|\mathbf{M} \circ (\mathbf{A} - \Phi(\mathbf{A}; \mathcal{H})\Phi^\top(\mathbf{A}; \mathcal{H}))\|_F^2$  [cf. (1)]. In cases where we would like to learn *discriminative* embeddings that are suitable for a downstream task (e.g., node or link prediction), it is prudent to augment the reconstruction error with a task-dependent loss function such as cross-entropy. Such integration of  $\Phi$  as a trainable module within a larger (semi-)supervised GRL pipeline will be considered in Section 3.4, where the training set  $\mathcal{T}$  will also incorporate task-dependent supervision signals (e.g., node labels).

Next, we discuss the design of the parametric model  $\Phi$  using algorithm unrolling. Architectural refinements are outlined in Section 3.3.

### 3.2 Learned ASE via algorithm unrolling: Gradient descent as neural architecture blueprint

Given the impossibility of a GNN to produce useful embeddings in some important settings discussed in Section 2.2, let us re-consider the original problem in (1). Instead of estimating the ASE through a spectral decomposition of the adjacency matrix [which in fact solves (1) when  $\mathbf{M} = \mathbf{1}_N \mathbf{1}_N^\top$  as argued in Section 2.1], we could try to solve the optimization problem using iterative methods. This approach was explored in (Fiori et al., 2024), where factored GD was advocated and successfully used to estimate node embeddings, even in online settings where graph data arrive in a streaming fashion and edge status may be partially unknown (as encoded in  $\mathbf{M}$ ).

Let us now briefly present this idea and illustrate how the resulting algorithm lends itself very naturally to a re-interpretation as a GNN through the framework of algorithm unrolling we discussed in Section 2.3. For ease of exposition, we will not consider the mask  $\mathbf{M}$  here, and leave its inclusion to the next section along with other architectural refinements. Let  $f : \mathbb{R}^{N \times d} \mapsto \mathbb{R}$  be the smooth, nonconvex objective function  $f(\mathbf{X}) = \|\mathbf{A} - \mathbf{X}\mathbf{X}^\top\|_F^2$  to be minimized. The factored GD algorithm consists of the following iterations

$$\mathbf{X}_{l+1} = \mathbf{X}_l - \alpha \nabla f(\mathbf{X}_l), \quad l = 1, 2, \dots, \quad (5)$$

where  $\nabla f(\mathbf{X}) = 4(\mathbf{X}\mathbf{X}^\top - \mathbf{A})\mathbf{X}$  and  $\alpha > 0$  is the step size. Given the favorable landscape of  $f(\mathbf{X})$ , the local and global convergence properties of (5) are well understood Bhojanapalli et al. (2016); Chi et al. (2019); Vu & Raich (2021); Fiori et al. (2024). In practice, a randomly initialized  $\mathbf{X}_0$  will suffice for convergence to an element  $\tilde{\mathbf{X}}$  in the set of global minimizers [recall from Section 2.1 that the solution of (1) is not unique due to rotational ambiguities]. Substituting the expression of the gradient  $\nabla f(\mathbf{X})$  in (5), we arrive to the following iterative update rule

$$\begin{aligned} \mathbf{X}_{l+1} &= \mathbf{X}_l - 4\alpha(\mathbf{X}_l\mathbf{X}_l^\top - \mathbf{A})\mathbf{X}_l \\ &= (\mathbf{I}_N + 4\alpha\mathbf{A})\mathbf{X}_l - 4\alpha\mathbf{X}_l\mathbf{X}_l^\top\mathbf{X}_l. \end{aligned} \quad (6)$$

Note that the first summand in (6) is a first-order graph convolution as in (2), where the graph shift operator is the adjacency matrix  $\mathbf{A}$ , and the filter coefficients are  $\mathbf{H}_0 = \mathbf{I}_d$  and  $\mathbf{H}_1 = 4\alpha\mathbf{I}_d$ . In turn, the second summand can be interpreted as a Graph Attention Network (GAT) (Veličković et al., 2018) in a fully-connected graph, with a particular choice of attention coefficients and no pointwise non-linear activation function. Recall that in a GAT, the output of the next layer is similar to a GNN, except that the entry  $i, j$  in the graph shift operator (i.e., the so-called attention coefficient) now depends on the signal on both incident nodes  $\mathbf{x}_{l,i}$  and  $\mathbf{x}_{l,j}$ . In this case, attention coefficients are collected in the matrix  $4\alpha\mathbf{X}_l\mathbf{X}_l^\top$ . That is to say, they are expressed as an inner-product without the typical softmax used in (Veličković et al., 2018).

Taking this into consideration and letting some of the coefficients to be learnable (matrices  $\mathbf{H}_1$  and  $\mathbf{H}_2$  below), each GD iteration in (6) can be reinterpreted as an NN layer. The  $l$ -th layer, which we will generically denote as the Learned Adjacency Spectral Embedding (LASE) block, produces the following output:

$$\mathbf{X}_{l+1} = \mathbf{X}_l + \mathbf{A}\mathbf{X}_l\mathbf{H}_1 - \mathbf{X}_l\mathbf{X}_l^\top\mathbf{X}_l\mathbf{H}_2 \quad \Rightarrow \quad \mathbf{X}_{l+1} = \mathbf{GCN}(\mathbf{X}_l) - \mathbf{GAT}(\mathbf{X}_l), \quad (7)$$

where the GCN term, as the GAT, also omits the non-linearity. Using random samples as  $\mathbf{X}_0$  and cascading  $L$  of these LASE blocks [thus producing the parametric mapping  $\tilde{\mathbf{X}} = \Phi(\mathbf{A}; \mathcal{H}) := \mathbf{X}_L$ ; cf. (4)] can be interpreted as truncating the GD algorithm to  $L$  steps. We will refer to the resulting  $L$ -layer unrolled NN as LASE. This process is illustrated in the diagram in Fig. 3.



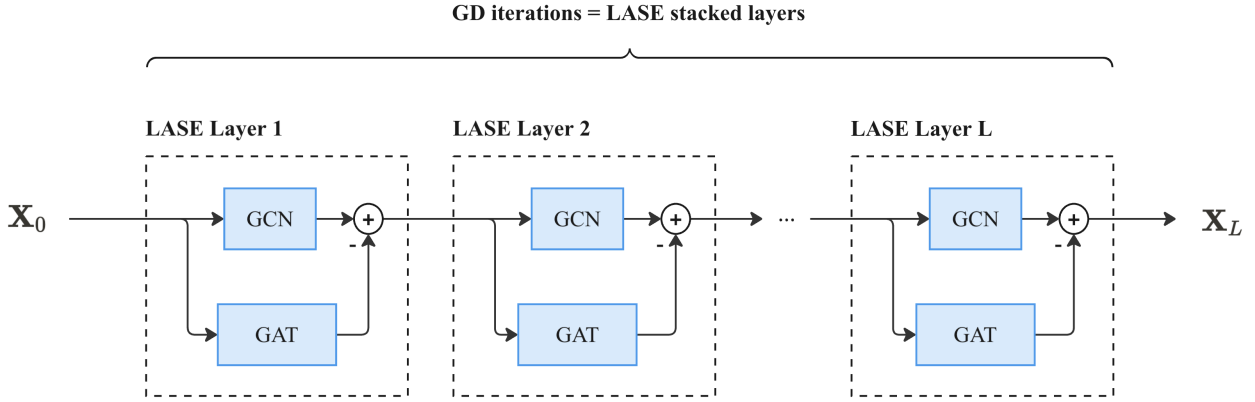


Figure 3: An illustration of the proposed LASE unrolled NN, where  $L$  LASE blocks are seamlessly stacked, equivalent to truncating the GD algorithm (6) to  $L$  iterations. Each LASE block consists of the superposition of a GCN with a GAT module, the latter acting on a fully-connected graph. Input  $\mathbf{X}_0$  consists of random samples, the same initialization as in the GD algorithm, resulting in estimated spectral embeddings  $\hat{\mathbf{X}} = \Phi(\mathbf{A}; \mathcal{H}) := \mathbf{X}_L$ , where  $\mathcal{H}$  includes the learnable weights of all the GCN and GAT modules.

The LASE network undergoes self-training across realizations  $\mathcal{T} := \{\mathbf{A}^{(i)}\}_{i=1}^T$  of a specific graph distribution, optimizing parameters  $\mathcal{H} := \{\mathbf{H}_1, \mathbf{H}_2\}$  to minimize the objective function  $\mathcal{L}(\mathcal{H})$  in (4) through gradient-based learning techniques. In Section 4.1 we empirically show that the necessary depth of the trained LASE is orders of magnitude smaller than the number of iterations required by the GD algorithm to achieve convergence. This is significant, because the inference time over multiple (potentially large) tests graphs can be markedly reduced.

**Properties of the LASE architecture.** In the discussion so far we have assumed that the learnable weights  $\mathcal{H} := \{\mathbf{H}_1, \mathbf{H}_2\}$  are shared across LASE layers, as consequence of the strict unrolling procedure. This approach has the benefit that we could train a LASE network with  $L_{\text{train}}$  layers, but then use it for inference with  $L_{\text{test}} > L_{\text{train}}$  layers, potentially improving the estimated spectral embeddings during inference while keeping the training cost at a (resource-dependent) minimum. However, if we decouple the parameters of each layer and learn them independently, we may increase the expressive power of the NN and thus boost its performance for a given depth  $L$ . In our experiments we have opted for this latter alternative, using independent parameters  $\mathcal{H} = \{\mathbf{H}_{1,l}, \mathbf{H}_{2,l}\}_{l=1}^L$ .

Regarding computation cost, note that the number of learnable parameters is, as in all convolutional GNNs, independent of the number of nodes  $N$  – and typically much smaller than  $N$ , as it is customary with unrolled NNs (Monga et al., 2021). However, the greatest bottleneck resides in the GAT module, where the term  $\mathbf{X}_l \mathbf{X}_l^\top$  translates to  $N^2$  pairwise interactions over a fully-connected graph. This negates one of the benefits of GNNs, which is leveraging the graph’s sparse connectivity structure to compute graph convolutions through local, distributed message passing operations. To alleviate this problem, we will implement so-called sparse attention mechanisms; see the ensuing section about architectural refinements for full details.

Besides the alluded computational benefits, that the number of parameters is independent of  $N$  also implies that we may train the model with graphs of certain size, and then infer the embeddings on any other graph, including larger ones. Naturally, in order to produce useful embeddings these graphs should stem from a similar underlying distribution, and we will empirically study the generalization capability of LASE in the next section (see e.g., (Ruiz et al., 2020) for theoretical results regarding transferability of GNNs). As a practical benefit of this feature, consider computing node embeddings for a large graph. We contend one can train the model on several relatively small subgraphs of the original one. During inference (less computationally demanding), we compute the embeddings for the large graph; see the results in Section 4.

Finally, recall that the GD algorithm was initialized at random and for LASE we proceed this way too. This stands in stark contrast with Example 1, where we showed the inability of GNNs to produce useful spectral

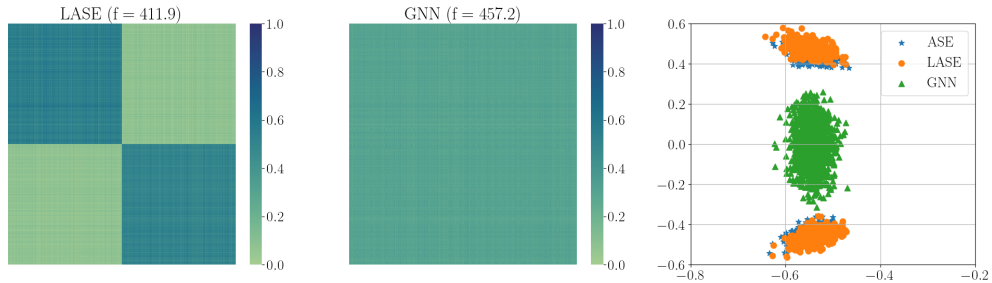


Figure 4: GNN and LASE models are trained with several samples of a symmetric SBM using a loss of the form (1). The left and center panels show the estimated probability matrix  $\hat{\mathbf{P}} = \hat{\mathbf{X}}\hat{\mathbf{X}}^\top$  for LASE and the GNN, respectively (the reconstruction error  $f = \|\mathbf{M} \circ (\mathbf{A} - \hat{\mathbf{X}}\hat{\mathbf{X}}^\top)\|_F^2$  is also shown for reference). The rightmost panel plots the estimated spectral embeddings  $\hat{\mathbf{X}}$  (including ASE as a reference). Whereas LASE using only  $L = 5$  layers produces useful spectral embeddings closely matching the ASE, a GNN fails.

embeddings from noisy graph signals (or nodal attributes) in a symmetric SBM. As we show next, LASE avoids this pitfall and is able to recover embeddings with similar accuracy to ASE or GD, but using fewer iterations (i.e., layers).

**Example 2 (Symmetric SBM revisited)** Going back to Example 1, recall there we considered an SBM graph with  $C = 2$  communities of equal size and symmetric inter-class connection probability matrix  $\mathbf{\Pi} = \begin{pmatrix} 0.5 & 0.1 \\ 0.1 & 0.5 \end{pmatrix}$ . In order to avoid over-fitting to the input signal, we may expose the learning architecture to several samples of both the input noise and even the graph (by generating several SBMs with the given  $\mathbf{\Pi}$ ).

For instance, let us consider a 2-layer GNN where each layer consists of a convolution of order  $K = 3$  followed by a tanh non-linearity (except in the last layer). All dimensions, including the hidden layers, are  $d = 2$ . We trained this GNN and LASE (with  $L = 5$  layers and  $d = 2$ ) using  $T = 100$  graph and noise samples, and a representative inference result (for a new noise and graph sample) is depicted in Fig. 4. As expected, the GNN is unable to produce useful embeddings for these regular graphs, whereas LASE is successful.

### 3.3 Architectural refinements

The bare-bones LASE model presented in the last section can be further customized and enhanced, as traditionally done with unrolled deep learning architectures; see e.g., (Monga et al., 2021). Some architectural refinements are motivated by computational considerations, like the cost of a dense GAT module, and some others allow the model to operate under more general settings. In the sequel we describe a series of refinements integrated into LASE, with the objective of enhancing the model’s robustness and performance.

**Node-wise normalization.** To improve stability during training, node-wise normalization was added to the LASE model. This normalization step consists of dividing both the GCN and GAT terms by the total number of nodes  $N$ . This action helps maintain numerical quantities at a balanced scale, mitigating any instability that may arise due to, e.g., exploding gradients. The number of nodes is defined as a parameter of the network, making it possible to seamlessly change it during inference. Accordingly, the LASE block architecture introduced in (7) is updated to

$$\mathbf{X}_{l+1} = \mathbf{X}_l + \frac{1}{N}\mathbf{A}\mathbf{X}_l\mathbf{H}_1 - \frac{1}{N}\mathbf{X}_l\mathbf{X}_l^\top\mathbf{X}_l\mathbf{H}_2. \quad (8)$$

**Incorporation of a mask.** For ease of exposition, the mask matrix was not considered during the derivation of the LASE block. To address the original formulation (1), for instance to specify observed and unobserved (or missing) data, the expression for the block computation including the mask  $\mathbf{M}_{\text{obs}}$  becomes

$$\mathbf{X}_{l+1} = \mathbf{X}_l + \frac{1}{Np_{\text{obs}}}(\mathbf{M}_{\text{obs}} \circ \mathbf{A})\mathbf{X}_l\mathbf{H}_1 - \frac{1}{Np_{\text{obs}}}(\mathbf{M}_{\text{obs}} \circ (\mathbf{X}_l\mathbf{X}_l^\top))\mathbf{X}_l\mathbf{H}_2, \quad (9)$$

where  $p_{\text{obs}}$  is the proportion of present edges with respect to the number of nodes in the mask matrix  $\mathbf{M}_{\text{obs}}$ .

**Sparse attention mechanisms.** By default, the attention mechanism employed in the GAT term assumes a fully-connected graph, emulating a full attention mechanism with quadratic all-to-all interactions  $\mathbf{X}_l \mathbf{X}_l^\top$ . To attain higher computational efficiency, we have explored and implemented several sparse attention mechanisms to bring down the quadratic interactions to linear ones. These mechanisms entail various types of (sparse) graphs in the GAT block, including: (i) those generated with an Erdős–Rényi model at different sparsity levels; (ii) those generated with a Watts–Strogatz model; and (iii) the integration of the BigBird attention mechanism (Zaheer et al., 2020) commonly used in language transformers. Given the aforementioned considerations, the LASE block is updated as follows

$$\mathbf{X}_{l+1} = \mathbf{X}_l + \frac{1}{N p_{\text{obs}}} (\mathbf{M}_{\text{obs}} \circ \mathbf{A}) \mathbf{X}_l \mathbf{H}_1 - \frac{1}{N p_{\text{obs}} p_{\text{att}}} \mathbf{M}_{\text{obs}} \circ (\mathbf{M}_{\text{att}} \circ (\mathbf{X}_l \mathbf{X}_l^\top)) \mathbf{X}_l \mathbf{H}_2, \quad (10)$$

where matrix  $\mathbf{M}_{\text{att}}$  is an attention mask encoding the topology of the sparse graphs to improve computational efficiency, and  $p_{\text{att}}$  is the proportion of edges with respect to the number of nodes in matrix  $\mathbf{M}_{\text{att}}$ . The performance of the different sparse attention mechanisms (i)-(iii) is reported in Section 4.

**Generalized RDPG.** The vanilla RDPG can only model random graphs with adjacency matrices that are PSD in expectation (recall from Section 2.1 that  $\mathbf{P} = \mathbb{E}[\mathbf{A}] = \mathbf{X} \mathbf{X}^\top$ ). This limitation is overcome by the Generalized RDPG (GRDPG) model (Rubin-Delanchy et al., 2022), which extends the RDPG framework to accommodate a broader range of graph structures, including those with mixed assortative and disassortative behaviors. The idea is to introduce a diagonal matrix  $\mathbf{Q}$ , with  $p$  entries equal to +1 and  $q$  entries equal to -1 (such that  $d = p + q$ ), so that the expected adjacency matrix is now  $\mathbb{E}[\mathbf{A}] = \mathbf{X} \mathbf{Q} \mathbf{X}^\top$ . The corresponding objective function and estimator are then expressed as [cf. (1)]

$$\hat{\mathbf{X}} \in \arg \min_{\mathbf{X} \in \mathbb{R}^{N \times d}} \|\mathbf{A} - \mathbf{X} \mathbf{Q} \mathbf{X}^\top\|_F^2. \quad (11)$$

We can mimic the algorithm construction and unrolling processes in Section 3.2. The gradient of the cost function is  $\nabla f(\mathbf{X}) = 4(\mathbf{X} \mathbf{Q} \mathbf{X}^\top - \mathbf{A}) \mathbf{X} \mathbf{Q}$ , and therefore the unrolling of the GD algorithm with step size  $\alpha$  is

$$\mathbf{X}_{l+1} = \mathbf{X}_l - 4\alpha(\mathbf{X}_l \mathbf{Q} \mathbf{X}_l^\top - \mathbf{A}) \mathbf{X}_l \mathbf{Q} \quad (12)$$

$$= \mathbf{X}_l + 4\alpha \mathbf{A} \mathbf{X}_l \mathbf{Q} - 4\alpha(\mathbf{X}_l \mathbf{Q} \mathbf{X}_l^\top) \mathbf{X}_l \mathbf{Q}. \quad (13)$$

Note that the required modifications to the LASE block are minimal, still consisting of a combination of GCN and GAT modules with minor adaptations, namely

$$\mathbf{X}_{l+1} = \mathbf{X}_l + \mathbf{A} \mathbf{X}_l \mathbf{H}_1 \mathbf{Q} - \mathbf{X}_l \mathbf{Q} \mathbf{X}_l^\top \mathbf{X}_l \mathbf{H}_2 \mathbf{Q}. \quad (14)$$

Taking  $\mathbf{H}_1 = \mathbf{H}_2 = 4\alpha \mathbf{I}_d$  we recover (13). The only difference with respect to (7) is the diagonal matrix  $\mathbf{Q}$ , and we can recover the legacy LASE block when  $\mathbf{Q} = \mathbf{I}_d$ . However, if we have reasons to believe that the graph is not fully homophilic, matrix  $\mathbf{Q}$  may be considered a hyper-parameter; i.e., for a given  $d$ , one can verify how many negative values in  $\mathbf{Q}$  work best in terms minimizing the overall reconstruction cost (note that there are only  $d$  possibilities). If a spectral decomposition of the adjacency matrix is computationally viable, then a more direct method to estimate the entries of  $\mathbf{Q}$  is to use the sign of the  $d$  dominant eigenvalues of  $\mathbf{A}$ . Since computing the eigenvectors of a (potentially large) adjacency matrix could negate the computational benefits of LASE altogether, we can instead compute the  $d$  dominant eigenvalues of  $m$  smaller random subgraphs sampled from the observed large  $G$ . This way we obtain a set  $\{\mathbf{Q}_1, \dots, \mathbf{Q}_m\}$  and we choose  $\mathbf{Q}$  through the sign of the resulting average  $1/m \sum_1^m \mathbf{Q}_m$ . We use this latter approach for the experiments in Section 4, but note that several other possibilities exist, such as for instance directly learning the diagonal entries in  $\mathbf{Q}$ .

### 3.4 End-to-end graph representation learning

So far we have focused on learning to approximate spectral graph embeddings with LASE. However, these embeddings are typically used for a downstream task (e.g., node classification) as spectral PEs (Wang et al., 2022). Here we briefly articulate how to use LASE in this context. The first and perhaps most natural

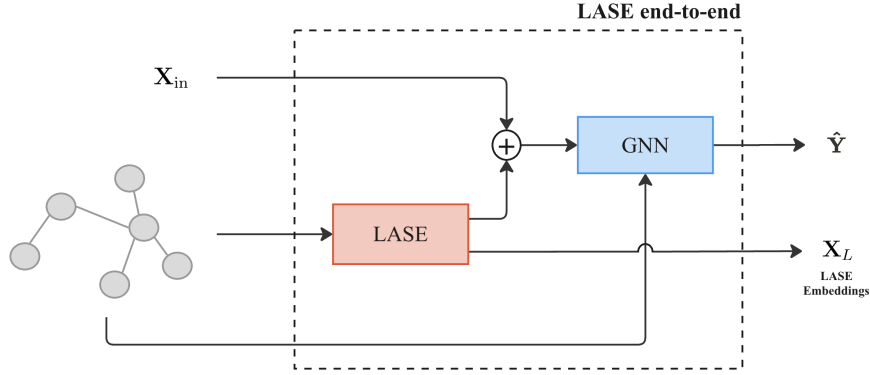


Figure 5: LASE end-to-end (E2E) architecture. The output of an  $L$ -layered LASE block is concatenated with the node features, which are then processed by a GNN (or whatever variation of this architecture is chosen). The system is trained by minimizing a combined loss that considers both the task at hand through  $\hat{\mathbf{Y}}$  as well as the reconstruction through  $\mathbf{X}_L$ . See (15) for an example of such combined loss.

option would be to use pre-trained LASE outputs, just like any other PE. That is, first train LASE and then concatenate the predicted PEs  $\mathbf{X}_L$  to the input signal  $\mathbf{X}_{in}$  (if nodal attributes are available). A GNN (or whatever architecture we choose) would then produce the mapping between a concatenation  $\mathbf{X}_{in}||\mathbf{X}_L$  to the output (e.g., one-hot encoding of the node’s corresponding class). This requires a second training phase, now of the GNN parameters to e.g., minimize a cross-entropy loss.

A second option is to leverage the fact that the LASE block is fully differentiable, making it a viable candidate for inclusion within a larger GRL pipeline designed for some downstream task. Going back to our node classification example using a GNN, instead of *first* adapting the LASE weights  $\mathcal{H}$  to minimize equation 1 and *then* training the GNN to minimize a cross-entropy loss, we could instead consider a combined loss and train them jointly. The resulting end-to-end learning system (which we will denote as LASE E2E) is schematically depicted in Fig. 5. It consists of a LASE block, whose output is concatenated with the nodes’ features  $\mathbf{X}_{in}$  and fed to a GNN, which will in turn produce the corresponding predictive output  $\hat{\mathbf{Y}}$ . The system is trained in an end-to-end fashion by minimizing a loss that combines the reconstruction error (1) (for which only the output  $\mathbf{X}_L = \Phi(\mathbf{A}; \mathcal{H}_{LASE})$  of the LASE module is considered) and the task at hand (for which only the output  $\hat{\mathbf{Y}} = \text{GNN}(\mathbf{X}_{in}||\mathbf{X}_L; \mathcal{H}_{GNN})$  of the GNN is used). For instance, and again considering the semi-supervised node classification example in a transductive setting where we observe a single graph with adjacency matrix  $\mathbf{A}$ , the combined loss could take the form

$$\mathcal{L}(\mathcal{H}_{GNN}, \mathcal{H}_{LASE}) = \mu \text{CrossEntropy}(\mathbf{Y}, \hat{\mathbf{Y}}) + (1 - \mu) \|\mathbf{M} \circ (\mathbf{A} - \mathbf{X}_L \mathbf{Q} \mathbf{X}_L^T)\|_F^2, \quad (15)$$

where  $\hat{\mathbf{Y}} = \text{GNN}(\mathbf{X}_{in}||\mathbf{X}_L; \mathcal{H}_{GNN})$  and  $\mathbf{Y}$  are the predicted and actual class labels of each node in the training set, respectively; and  $\mathbf{X}_L$  is the output of an  $L$ -layered LASE block. Furthermore, hyper-parameter  $\mu \in [0, 1]$  controls the relative weight between recovering pure spectral PEs ( $\mu = 0$ ) and focusing solely on the task at hand, neglecting the PEs ( $\mu = 1$ ). Our results in Section 4.2 evidence that LASE E2E offers truly learnable PEs, that outperform relevant baselines in node classification and link prediction tasks.

## 4 Experimental Results

In this section we experimentally validate the proposed LASE architecture in two GRL tasks. Firstly, as an alternative of ASE or GD to compute the spectral embeddings of a large graph. In this case, LASE may be trained on smaller sub-graphs including only a fraction of the nodes of the original one. As we show in Section 4.1, even in this case the estimated nodal embeddings on the original graph are of comparable quality in terms of the objective function in (1) as ASE or GD. Notably, we demonstrate that LASE offers the added advantages of being: (i) computationally feasible in scenarios where an eigen-decomposition as in

ASE is not a viable approach; (ii) markedly faster than GD or its iterative variants; and (iii) able to embed adjacency matrices with missing edge information.

The other task is the one we discussed in Section 3.4, namely using LASE in an end-to-end GRL pipeline, instead of concatenating the spectral embeddings computed by LASE with the nodes’ features to be jointly processed by another learning architecture. The latter baseline is a typical procedure adopted when spectral embeddings are used as PEs. Results in Section 4.2 corroborate that LASE E2E, which endows the embeddings with a discriminative bias towards the task at hand, outperforms relevant baselines.

Before moving on, some general remarks regarding implementation details are in order.<sup>2</sup> To compute the ASE we rely on the state-of-the-art RDPG inference library `Graspologic` (Chung et al., 2019). Our implementation of LASE is based on `PyG` (Fey & Lenssen, 2019), fully integrated as a new message passing layer in this popular framework. All experiments were run on a server equipped with an NVIDIA GeForce RTX 3060 (12 GB) GPU and a 13th generation i5-13400F processor with 64 GB of RAM. As input to LASE we use  $\mathbf{X}_0$  with i.i.d. random entries sampled from the uniform distribution in  $[0,1]$ . This corresponds to the same initialization of the factored GD in (Fiori et al., 2024), for which here we chose the step size  $\alpha$  in (5) through the Armijo rule. The embeddings’ dimension  $d$  is considered a hyper-parameter. For the selection of  $\mathbf{Q}$  in GLASE, we rely on the subgraph sampling plus eigendecomposition method described in the closing discussion of Section 3.3.

## 4.1 LASE to compute the spectral embeddings

### 4.1.1 Comparison to baselines

We first turn our attention to the quality of LASE’s estimates  $\mathbf{X}_L$ . In particular, we will compare it to both the eigendecomposition-based gold standard ASE as well as the iterative GD method that served as a blueprint for LASE. Regarding the latter, we implement two variants: running GD until convergence or using the same number of iterations as layers in LASE ( $L = 5$ ).

Let us begin by considering SBM random graphs. As in Example 2, LASE was trained using  $T = 1000$  samples of both the input noise and graph adjacency matrices generated with the prescribed  $\mathbf{\Pi}$ . Inference results in the form of the estimated probability matrix  $\hat{\mathbf{P}} = \hat{\mathbf{X}}\hat{\mathbf{X}}^\top$  for the four methods considered (ASE, GD Armijo, GD-5 Armijo, LASE) and corresponding to three different SBMs are depicted in Fig. 6. The main difference between the SBMs considered is the number of nodes ( $N = 100, 150,$  and  $300$ ) and communities ( $C = 2, 3$  and  $5$  respectively). For all methods in this test case, we used  $d = C$ .

As expected, the two leftmost columns of Fig. 6 show that ASE and GD (when run until convergence) yield similar results in terms of the overall reconstruction error  $f = \|\mathbf{M} \circ (\mathbf{A} - \hat{\mathbf{X}}\hat{\mathbf{X}}^\top)\|_F^2$  (indicated above each subplot). It is interesting to note that GD Armijo required 44, 38 and 22 iterations, respectively, for each of the graphs tested. If we instead run GD for 5 iterations only, performance markedly degrades, particularly as the number  $C$  of SBM communities increases (check the third column in Fig. 6). This is not the case for LASE, which offers embeddings of similar quality as ASE, except in the last and most challenging graph SBM-5. Note, however, that LASE reconstruction are always significantly better than GD-5 Armijo.

### 4.1.2 Robustness

Note that in the previous examples we have used graphs stemming from the same distribution both for training as well as inference. An intriguing question is how robust is LASE to changes in the underlying distribution. To investigate this out-of-distribution generalization issues, we now present an experiment in which LASE is trained using two approaches. In the first one we consider a single SBM model with  $C = 2$  communities, characterized by a connection probability matrix  $\mathbf{\Pi}_1 = \begin{pmatrix} 0.9 & 0.1 \\ 0.1 & 0.5 \end{pmatrix}$  and  $N_1 = 100$ , with 70% of the nodes belonging to community 1. Inference is then performed on larger graphs with  $N_2 = 1000$  nodes, generated by SBM models with  $\mathbf{\Pi}_2 = \mathbf{\Pi}_1 + \delta \mathbf{1}_2 \mathbf{1}_2^\top$ , where the perturbation  $\delta$  varies within the range  $[-0.09, 0.09]$ . The proportion of nodes in each community remains consistent with the training setup.

<sup>2</sup>All source code and examples can be found at <https://github.com/sofiperez91/LASE..>

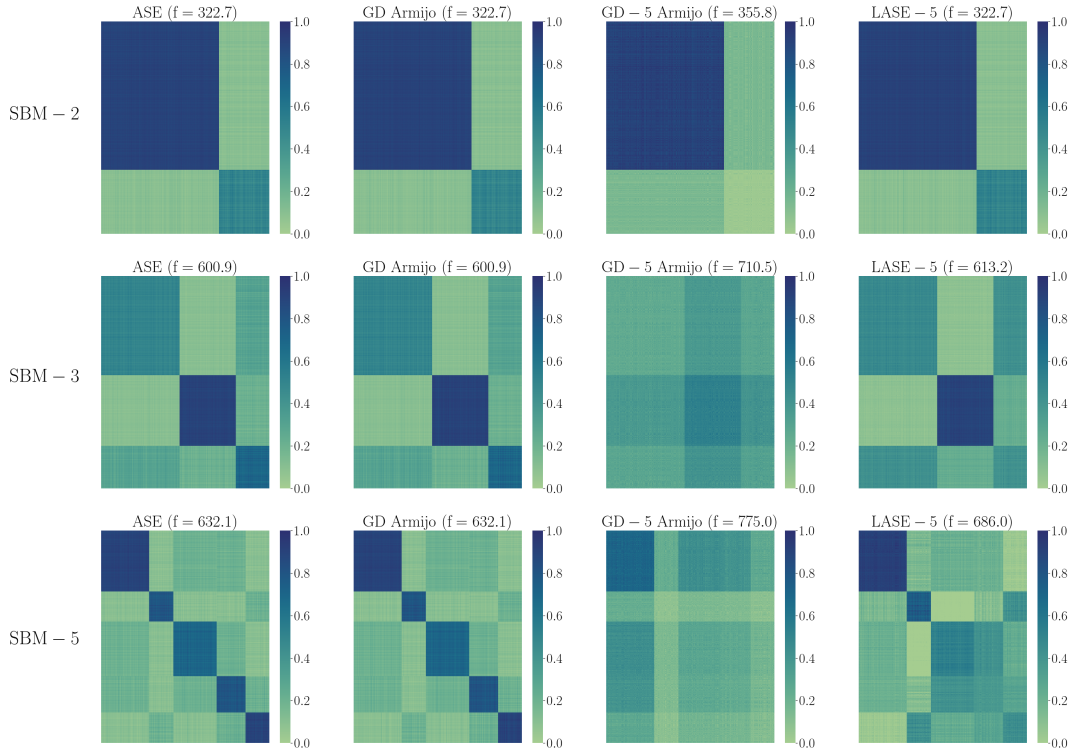


Figure 6: The estimated  $\hat{\mathbf{P}} = \hat{\mathbf{X}}\hat{\mathbf{X}}^\top$  using different methods (ASE, GD until convergence, 5 steps of GD and LASE using 5 layers) tested in different synthetic SBM graphs. The resulting reconstruction cost is shown above each estimation. Note how LASE obtains significantly better results than GD when using the same number of iterations.

Reconstruction-error results as we vary  $\delta$  are shown with orange circles in Fig. 7. Note how the reconstruction cost obtained from this single-model LASE remains very similar to the one obtained by ASE (blue stars in the figure) under small perturbations. However, as the absolute value of the perturbation  $\delta$  increases, deviating from the original connectivity matrix  $\mathbf{\Pi}_1$ , the resulting error grows and drifts away from that of ASE.

However, the robustness of LASE can be enhanced by exposing it to graphs stemming from multiple of these distributions (parameterized by  $\delta$ ). The second training approach, which we will denote as LASE multi model, includes multiple SBM models using  $\mathbf{\Pi}_2$  and  $N_1 = 100$ , with the same per-class proportion as before. Specifically, the training set includes 500 samples for each  $\mathbf{\Pi}_2$ , with  $\delta$  taking 11 evenly spaced values within the range  $[-0.09, 0.09]$ , resulting in a total of 5.500 graph samples. Results are shown with green triangles in Fig. 7, showing how in this case LASE exhibits a marked reduction in cost, matching ASE’s performance for all values of  $\delta$ .

### 4.1.3 Spectral embeddings in large graphs

Consider a scenario involving a graph so large that computing the eigendecomposition to form the ASE becomes impractical. For instance, a general-purpose PC may struggle to compute the ASE of a moderately-sized graph with approximately  $N = 10,000$  (or more) nodes. In such cases, it is essential that LASE’s computational cost scales better with  $N$ . This cost primarily depends on two parameters: (i) the number of

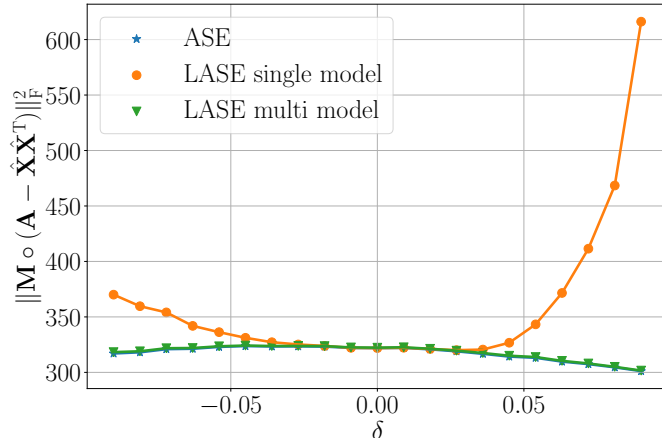


Figure 7: If trained with graphs stemming from a single model (in this case an SBM with a given  $\mathbf{\Pi}_1$ ), inference for graphs following a different model (another SBM but with  $\mathbf{\Pi}_2 = \mathbf{\Pi}_1 + \delta \mathbf{1}_2 \mathbf{1}_2^\top$ ) can result in poor performance as  $|\delta|$  increases. On the other hand, including all of these models during training results in a remarkably robust LASE, with a performance as good as ASE for all the considered values of  $\delta$ .

layers  $L$ , which represents the total number of GD iterations we are willing to perform; and (ii) the size of the graph  $N$ , the central focus of our current discussion.

**Training on smaller sampled subgraphs.** Leveraging the transferability of LASE, we aim at training LASE on smaller portions of the graph that fit within the available computational resources. To illustrate this approach, consider an SBM graph with  $N = 12,000$  nodes divided into  $C = 3$  communities. Instead of training LASE on the entire graph, we randomly select 5% of the nodes and use the induced subgraph for training. A training set  $\mathcal{T}$  including  $T = 800$  such samples is generated, and the LASE weights are trained to minimize the average cost across all samples; see (4). In this case, the resulting reconstruction error  $\|\mathbf{M} \circ (\mathbf{A} - \hat{\mathbf{X}} \hat{\mathbf{X}}^\top)\|_F^2$  on the original graph is 4296 for ASE, while LASE trained using this subgraph sampling approach achieves a cost of 4498 – a marginal increase of less than 5%. This stands in stark contrast with the results we discussed in Section 2.2, underscoring the importance of transferability in the LASE architecture, which enables the reuse of trained weights for inference on the original large graph.

**Sparse attention.** The GAT sub-module of LASE may still constitute a significant computation bottleneck, since it operates using a fully-connected graph linking all nodes. As discussed in Section 3.3, the literature on transformers addresses this issue by considering so-called sparse attention; i.e., randomly selecting some edges of the fully-connected graph, which may be regarded as another mask [cf. (10)]. There are several choices for  $\mathbf{M}_{\text{att}}$ , the most popular being Erdős-Rényi (ER; i.e., uniformly sampling edges with a certain probability), Watts-Strogatz (WS; i.e., starting from a regular lattice with a given degree  $r$ , then randomly rewiring edges with a certain probability  $p$ ) and Big-Bird (BB; i.e., a combination of ER and a regular lattice).

We test these sparsifying mechanisms on an SBM graph with  $C = 10$  communities and varying number of nodes  $N \in [500, 4000]$ . Parameters of the sparse attention approaches were chosen so that the resulting sparsity  $p_{\text{att}} \in \{0.1, 0.3, 0.5\}$ . For each mechanism we report the time corresponding to the smallest  $p_{\text{att}}$  that resulted in a total loss that is within 5% of the one obtained with full attention. This resulted in a mean degree of half of the original fully-connected graph for the ER mechanism, whereas only a third was enough for both WS and BB. Accordingly, we find that pure randomness is detrimental for attention.

Inference times are reported in Fig. 8. Each point in the graph is the mean wall-clock time over 10 independent trials, and the bands around the curves indicate one standard deviation. When using sparse attention mechanisms, inference time is halved with respect to full attention. Furthermore, we have included two references for comparison. Firstly, a variant of the GD method introduced in (Fiori et al., 2024), which uses Block Coordinate Descent and is faster than vanilla GD for this node embedding problem. Note how LASE



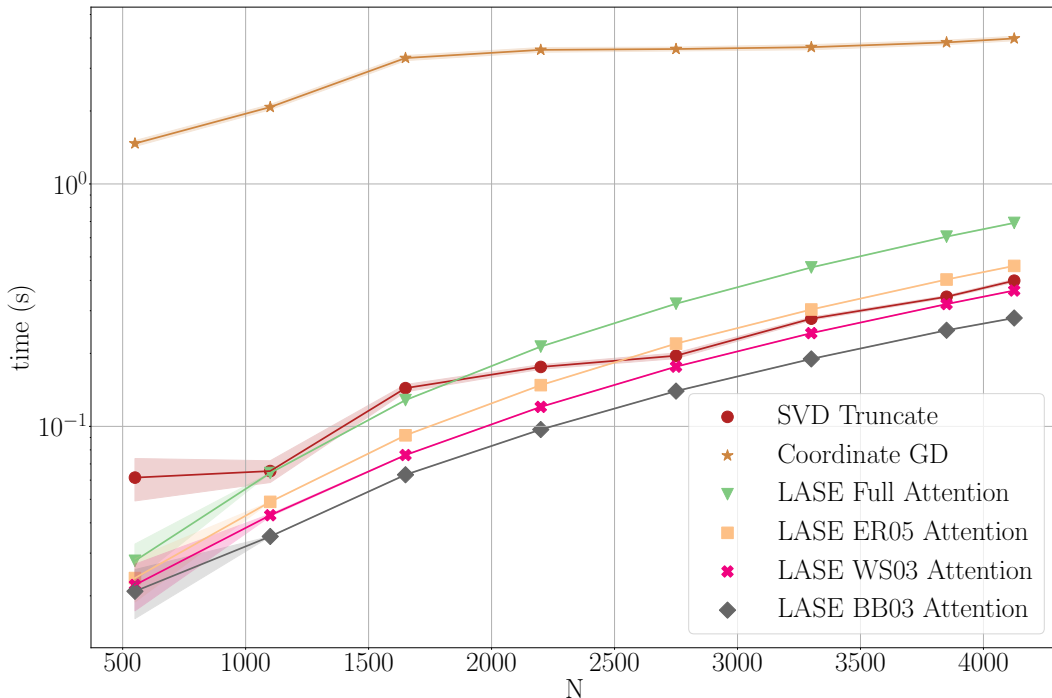


Figure 8: Mean wall-clock time for computing ASE, Block Coordinate Descent (a faster version of GD studied in Fiori et al. (2024)) and LASE using full or sparse attention. This last method runs fastest overall, even outperforming the highly-optimized `Graspologic` routines used for the ASE eigendecomposition.

is roughly an order of magnitude faster than even this variant of GD. Secondly, we have also included the computation time for ASE, estimated through `Graspologic`, which uses highly-optimized routines for the eigen-decomposition of the adjacency graph (SVD Truncate in Fig. 8). Note how either BB or WS (recall that in this case both use a sparsity of 30%) result in faster inference times than this highly-optimized library.

#### 4.1.4 Embedding real-world networks

Here we assess LASE’s ability to approximate node embeddings for real-world graphs. For instance, let us consider a set of networks typically used as benchmarks in several learning tasks: Cora (Yang et al., 2016), Citeseer (Yang et al., 2016), Twitch ES (Rozemberczki et al., 2021), and Amazon Photo (Shchur et al., 2019). The Cora dataset is a collection of  $N = 2708$  scientific publications. The connections between these publications correspond to a citation, resulting in 5429 links. The Amazon Photo network is a collection of  $N = 7650$  products, where connections signify that products are frequently purchased together. The Citeseer dataset is a citation network of  $N = 3327$  publications, where nodes represent research papers and edges denote citation relationships between them. Finally, the Twitch ES dataset is a network of  $N = 4648$  Spanish-speaking Twitch users, where nodes represent gamers and an edge exists if they follow each other.

We are interested in computing the spectral embeddings of the underlying graphs, and as before we will compare ASE, GD, GD using only 5 iterations and LASE with  $L = 5$ . We train LASE using  $T = 1000$  sampled subgraphs of the original one, uniformly chosen at random so that approximately 300 nodes are retained in each of them. Full attention is used except for the Amazon network, which used WS attention (with  $r = 0.1$  and  $p = 0.1$ ). The resulting reconstruction errors are reported in Table 1. Note how LASE



dataset	$N$	$d$	ASE Loss	GD Loss (*)	GD-5 Loss	LASE-5 Loss
Cora	2708	6	<b>101.28</b>	103.50	126.86	102.84
Citeseer	3327	6	98.17	<b>96.06</b>	148.55	102.11
Twitch ES	4648	7	351.65	336.54	363.55	<b>334.64</b>
Amazon	7650	8	469.74	474.26	501.92	<b>453.13</b>

Table 1: The resulting loss  $\|\mathbf{M} \circ (\mathbf{A} - \hat{\mathbf{X}}\hat{\mathbf{X}}^\top)\|_F^2$  of ASE, GD, GD using only 5 iterations and a 5-layered LASE when applied to four real-world networks. LASE systematically performs competitively, and as the network size increases it even outperforms the rest of the methods.

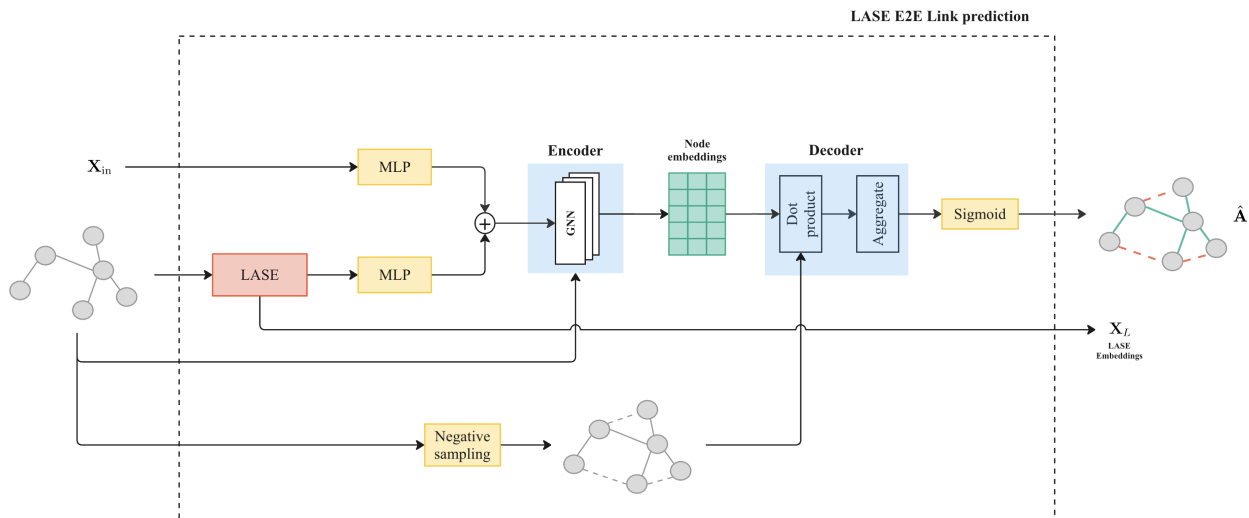


Figure 9: LASE E2E architecture for link prediction. Instead of training LASE separately from the link prediction task, we train a LASE module along with a GNN so that a loss combining both reconstruction and prediction errors is minimized.

with limited depth performs comparably to the GD algorithm run until convergence. Interestingly, for the two largest graphs, but specially in the case of Amazon, LASE outperforms GD.

## 4.2 End-to-end graph representation learning for link prediction and node classification

Having shown the computational advantages of LASE over GD or ASE during inference, let us now assess the performance of LASE E2E. Its merits will be evidenced in two scenarios. Firstly, when PEs are required, LASE E2E attains the same (or better) performance than if the PEs were precomputed and used along the node attributes, thus effectively rendering the precomputation step unnecessary. Secondly, if the graph has a non-negligible amount of unobserved edges (typical in several applications, such as recommender systems or the example we show below), the ability of LASE E2E to account for those also translates to performance gains that may be significant. In the sequel, we illustrate these advantages in two widespread tasks using real-world datasets: link prediction and node classification.

### 4.2.1 Link prediction

First, we study the United Nations (UN) General Assembly voting data (Voeten et al., 2009). This dataset contains every roll call in the history of the UN General Assembly, including which of the member countries were present (or not) during its voting session, and which was the country’s vote (either ‘Yes’, ‘No’, or ‘Abstain’). Regarding the roll calls, the publishers of the dataset have classified them into six categories (proposals related to the Palestinian conflict, colonialism, human rights, etc.).

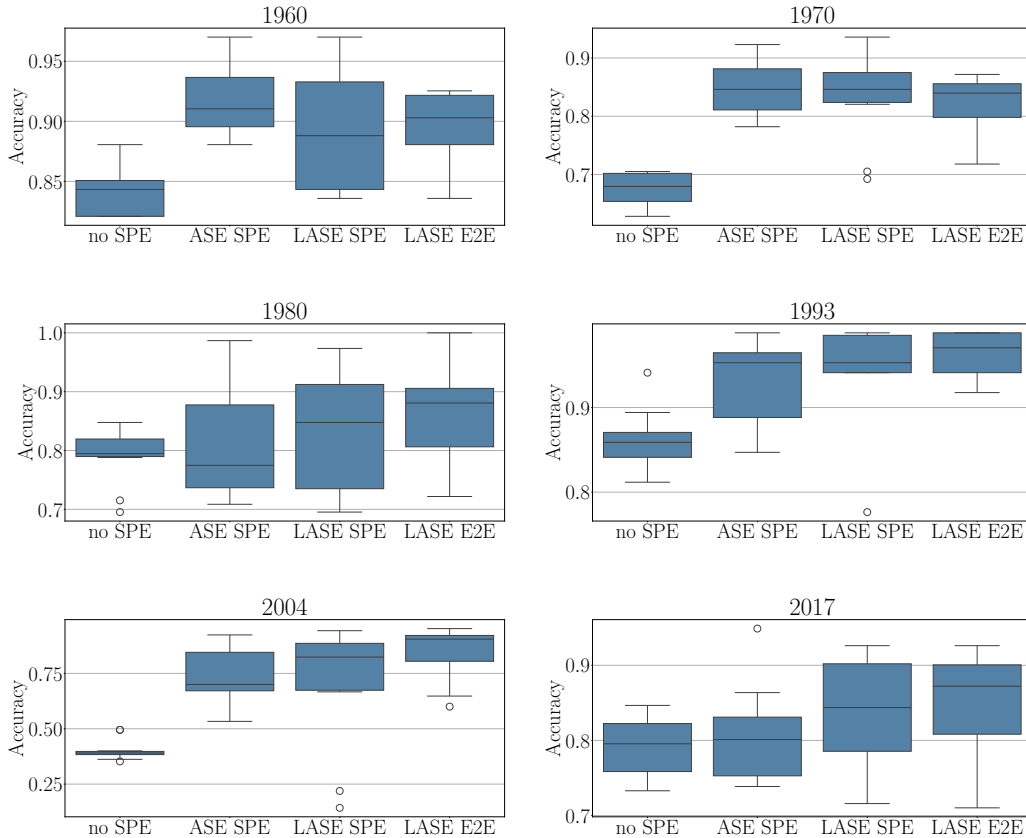


Figure 10: Accuracy in predicting the votes during six years of randomly chosen countries of the UN General Assembly. The evaluated methods include not using PEs at all, using either ASE or LASE as spectral PEs, or the E2E architecture discussed in Section 3.4. The E2E architecture typically outperforms all other methods for most years (1980, 1993, 2004 and 2017), or is at least very competitive. This performance gain comes at a computational cost similar to that of using no spectral PEs, since no pre-computations are required.

We thus construct a graph for each year, where a node represents a roll call or a country. A link between two nodes is included if the corresponding country voted affirmatively for the corresponding roll call; i.e., we build a bipartite graph connecting countries and roll calls. When a country was absent or abstained from voting, we will consider that the corresponding edge is unknown. The signal on each node will be a 12-dimensional one-hot encoding indicating in the first six dimensions the continent to which the country belongs to, and in the rest the category of the roll call.

We consider six randomly selected countries for which we have randomly chosen 30% of the roll calls (among those it voted) for prediction. They are thus also tagged as unknown in the mask matrix  $\mathbf{M}_{\text{obs}}$ . For the LASE E2E we use a LASE block (with  $L = 10$  and  $d = 4$ ), the output of which is concatenated to the node attributes  $\mathbf{X}_{\text{in}}$ , which are then processed by a two-layer GNN to produce link predictions  $\hat{\mathbf{A}}$  (see Fig. 9). The combined loss utilized for this link prediction task is given by

$$\mathcal{L}(\mathcal{H}_{\text{GNN}}, \mathcal{H}_{\text{LASE}}) = \mu \text{CrossEntropy}(\mathbf{A}, \hat{\mathbf{A}}) + (1 - \mu) \|\mathbf{M} \circ (\mathbf{A} - \hat{\mathbf{X}}\mathbf{Q}\hat{\mathbf{X}}^\top)\|_F^2, \quad (16)$$

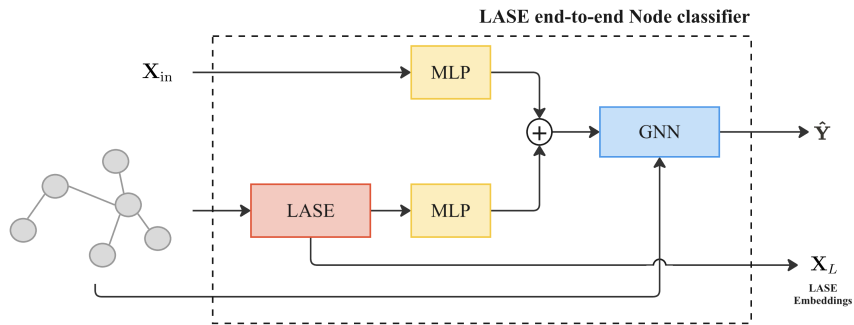


Figure 11: LASE E2E architecture for node classification. The output of a LASE block is concatenated to the node features, but crucially the system is trained end-to-end using a loss that encompasses both reconstruction and classification.

To assess the benefits of the E2E architecture, we compare against more traditional way of using spectral PEs; i.e., concatenating precomputed spectral PEs obtained from ASE or LASE to the input signal  $\mathbf{X}_{in}$ . We have also included the results when not using PEs at all; i.e., using only the 12-dimensional one-hot encoding signal as input to the GNN.

Fig. 10 shows the results for several years in the form of a boxplot of the resulting link-prediction accuracy. Each datum in the boxplot corresponds to one of ten experiments (where we have randomly picked the countries and the roll calls to be predicted). The first thing to observe is that the incorporation of spectral PEs by itself leads to a considerable improvement in prediction accuracy in several years (e.g., 1970 or 2004). This is in line with the discussion in Section 2.2, illustrating in a real-life problem the need for PEs and the inability of GNNs to produce this information under certain inputs.

The second aspect to highlight in Fig. 10 is that in several years, using ASE as a PE results in an accuracy which may be significantly less than both LASE PE or its E2E variant (see in particular the years 1993 or 2017). This illustrates the importance of properly considering unknown edges in the model when computing PEs, an impossibility for ASE that requires the eigendecomposition of a fully-observed adjacency matrix.

The final noteworthy conclusion that can be drawn from Fig. 10 is that LASE E2E obtains competitive results when compared to LASE as a precomputed PE, even surpassing it in some examples (e.g., the years 1993 or 2004). We remark that for the E2E variant a single training is necessary, resulting in less computational overhead and without sacrificing overall performance.

#### 4.2.2 Node classification

With respect to node classification, we evaluated the performance of LASE E2E by considering the same four real-world network datasets in Section 4.1.4: Cora, Citeseer, Twitch ES and Amazon. We now also include the node signal for each network, and the goal is to predict the category for each node. For Cora, node features consist of a 1433-dimensional one-hot word vector, its entries indicating the presence or absence of a certain word in the publication, and each publication is categorized into one of seven classes. In Amazon, node features also consist of a one-hot word vector encoding product reviews, in this case of 745 dimensions indicating the presence or absence of a certain word. Each product is assigned a label corresponding to one of eight product categories. In the Citeseer network, node features are represented as 3703-dimensional one-hot word vectors, indicating the presence or absence of specific words in a paper’s content, with each paper categorized into one of six predefined classes. Finally, the Twitch ES dataset encodes node features as 128-dimensional dense embeddings that capture information about games liked, user location, and streaming habits, and the primary (binary classification) task is to predict whether a user streams mature content.

Here the E2E LASE architecture consists of a  $L = 5$ -layer LASE block (with dimensions  $d = 6$  for CORA,  $d = 8$  for Amazon,  $d = 6$  for Citeseer, and  $d = 7$  for Twitch), whose output is concatenated with the node attributes  $\mathbf{X}_{in}$ . These were then processed by a three-layer GAT to produce node classifications through a

$\rho$	No PE	ASE PE	LASE PE	LASE E2E	PowerEmbed
0	86.8 $\pm$ 0.4	86.5 $\pm$ 0.6	86.4 $\pm$ 0.3	<b>86.9 <math>\pm</math> 0.3</b>	85.0 $\pm$ 0.4 (*)
0.2	84.6 $\pm$ 0.3	85.0 $\pm$ 0.5	85.8 $\pm$ 0.3	<b>85.8 <math>\pm</math> 0.6</b>	-
0.4	83.1 $\pm$ 0.3	83.2 $\pm$ 0.5	84.3 $\pm$ 0.4	<b>85.4 <math>\pm</math> 0.5</b>	-
0.6	79.3 $\pm$ 0.5	79.0 $\pm$ 0.3	83.2 $\pm$ 0.6	<b>85.5 <math>\pm</math> 0.6</b>	-
0.8	73.8 $\pm$ 0.8	73.0 $\pm$ 0.6	79.6 $\pm$ 0.4	<b>84.6 <math>\pm</math> 0.5</b>	-

Table 2: Mean accuracy  $\pm$  standard deviation over 10 data splits for the CORA network with different proportions of missing edges  $\rho$ . The results with (\*) corresponds to PowerEmbed(Lap)-10 taken from Huang et al. (2022) which uses the Laplacian matrix and 10 iterations (“-” denotes results not available).

$\rho$	No PE	ASE PE	LASE PE	LASE E2E	PowerEmbed
0	94.3 $\pm$ 0.6	93.9 $\pm$ 0.6	94.2 $\pm$ 0.6 (*)	94.4 $\pm$ 0.4 (*)	<b>94.6 <math>\pm</math> 0.2 (**)</b>
0.2	94.2 $\pm$ 0.4	94.0 $\pm$ 0.5	93.7 $\pm$ 0.8 (*)	<b>94.3 <math>\pm</math> 0.6 (*)</b>	-
0.4	93.9 $\pm$ 0.7	93.6 $\pm$ 1.5	93.8 $\pm$ 0.6 (*)	<b>94.0 <math>\pm</math> 0.3 (*)</b>	-
0.6	93.5 $\pm$ 0.6	93.5 $\pm$ 0.5	93.1 $\pm$ 0.9 (*)	<b>94.0 <math>\pm</math> 0.6 (*)</b>	-
0.8	92.9 $\pm$ 0.7	92.9 $\pm$ 0.6	92.6 $\pm$ 0.7 (*)	<b>93.3 <math>\pm</math> 0.6 (*)</b>	-

Table 3: Mean accuracy  $\pm$  standard deviation over 10 data splits for the Amazon Photo network with different proportions of missing edges  $\rho$ . The results marked with (\*) were trained using sparse attention WS with  $r = 0.1$  and  $p = 0.1$  instead of *full attention*. The results with (\*\*) corresponds to PowerEmbed(RW)-2 taken from Huang et al. (2022) which uses the Random Walk matrix and 2 iterations (“-” denotes results not available).

softmax function (see Fig. 11). The resulting model was trained to predict among the different classes by minimizing the combined loss function given in (15), which includes a cross-entropy and reconstruction loss (1), weighted by a hyper-parameter  $\mu$ . In terms of baselines, we will again consider a GNN with no PEs as well as using precomputed PEs obtained through ASE or a pre-trained LASE. We also compare against the state-of-the-art approach *PowerEmbed* (Huang et al., 2022); see Section 5 for a detailed explanation about this and other related methods.

Table 2 reports the results on the Cora dataset. In particular, each row corresponds to a different proportion of missing edges (indicated in the first column as parameter  $\rho$ ). Note how LASE E2E systematically obtains the best results, above PowerEmbed even with up to 60% of unknown edges. Using pretrained LASE PEs also yields competitive results, since it can account for unknown edges unlike the vanilla ASE. This explains the latter’s rapid degradation as  $\rho$  increases. We also find that not using any PE performs similarly to using ASE. Again, as the number of unknown edges increases and thus the structural information is progressively lost, the capacity of LASE to provide good approximations of the actual PEs plays a key role in its consistent performance. As a further verification on the importance of the connectivity in the problem at hand, we trained a 2-layered fully connected NN with hidden dimension of 64, using only the node features as input. The resulting performance is  $75.2 \pm 0.6$ , significantly lower than the rest of the evaluated methods.

Let us now turn our attention to the Amazon dataset. Table 3 shows the same comparison as before. Again, LASE E2E obtains the best results overall, even if it is using sparse attention (in this case a WS with  $r = 0.1$  and  $p = 0.1$ ). However, it is interesting to highlight that the degradation in performance as  $\rho$  increases is not as significant as before – both for ASE and when we do not use any PE. This suggests that the actual structure of the graph is not as important as the input features. This is verified when we train a simple fully-connected NN model with 2-layers (with a hidden dimension of 64) for this dataset. This network-agnostic architecture obtains a mean accuracy of  $91.7 \pm 0.2$ . A similar behavior was verified for both the Citeseer and Twitch ES, whose results are reported in Appendix A.3

---

## 5 Related Work

**Leveraging the power method to learn spectral embeddings.** One set of works related to ours aims to compute spectral embeddings through GNN iterations that can express the dominant eigenvectors of the graph shift operator. The *PowerEmbed* method (Huang et al., 2022) is based on a spectral decomposition of the adjacency matrix, similar to the RDPG model in this paper, but only taking into account the eigenvectors. Inspired by the power method that is known to converge to the dominant eigenvectors, Huang et al. (2022) propose a normalization step after each GNN iteration, resembling the mentioned power method. The processed outputs of each layer are then concatenated and used for downstream node classification tasks. Since the method is initialized with the node features, initial layers retain this local information, while the final layers capture global spectral properties of the graph as the power iteration converge. A follow-up related paper inspired is (Eliasof et al., 2023), which instead of initializing the model with node features as in *PowerEmbed*, it uses random values. The procedure is similar, alternating a normalization step after some iterations. Eliasof et al. (2023) also propose to learn a graph-dependent propagation operator. Unlike these approaches that are inspired by the power method, the LASE architecture mimics GD iterations through an algorithm unrolling principle.

**On the expressive power of GNNs.** At this point, it is worth mentioning the implications of the anonymity of the input signal on a GNN’s ability to discriminate nodes. Specifically, as discussed in (Kanat-soulis & Ribeiro, 2024), in order to evaluate the ability of a GNN to differentiate nodes, one should feed the network with a signal that is not discriminative by itself. Otherwise, one will not be able to tell if the GNN can solely produce such a discriminative output. Kanatsoulis & Ribeiro (2024) prove that under mild assumptions, a GNN with anonymous input produces different outputs for two graphs with different spectral properties. This is somehow related to our analysis in Section 2.2, but in their work, the authors discuss this phenomenon for *two different graphs*, while we focus the analysis for a given graph, distinguishing *nodes* in it. Although these interesting ideas could be adapted to our case, as we show in Appendix A.2 there are pitfalls with e.g., symmetric SBMs. Another related work, but also devoted to distinguishing graphs, is (Puny et al., 2020). Therein, an attention mechanism is added to the Random GNN (Sato et al., 2021), and it is proved that this aligns with the 2-Folklore Weisfeiler-Lehman algorithm.

**Graph auto-encoders.** Since LASE computes node embeddings from which it is possible to approximately reconstruct a given adjacency matrix, we can frame our work in the graph auto-encoder context; see e.g., (Hamilton, 2020) and the comprehensive review in (Chami et al., 2022). The classical (non-probabilistic) graph auto-encoder (Kipf & Welling, 2016) proposes to compute embeddings  $\mathbf{X}$  using a GCN with the features and graph structure as inputs (the encoder), and then reconstruct the adjacency matrix via an outer product decoder  $\mathbf{X}\mathbf{X}^\top$ , which resembles the RDPG model at the heart of our approach. Follow-up works such as (Ma et al., 2021) also use a GCN encoder, which, according to the discussion presented in Section 2.2, may fail to distinguish nodes with similar local structure. In (Salehi & Davulcu, 2020), the authors propose to add a self-attention mechanism to the encoder, but their different goal is to reconstruct the features, and the method does not output a reconstruction of the graph structure using the latents.

**Algorithm unrolling for graph representation learning.** Lastly, our method is based on the algorithm unrolling paradigm (Monga et al., 2021; Gregor & LeCun, 2010; Sprechmann et al., 2015). In their seminal paper, Gregor & LeCun (2010) made an important connection between iterative optimization methods and NNs; see also our brief review of this work in Section 2.3. Although there is an emerging interest in applying these ideas to inverse problems on graphs such as network topology inference (Shrivastava et al., 2020; Wasserman et al., 2023; Pu et al., 2021; Wasserman & Mateos, 2024), source localization (Ye & Mateos, 2022), or signal denoising (Nagahama et al., 2022; Chen et al., 2021), to the best of our knowledge this is the first adaptation to GNNs for computing node embeddings, given the graph structure.

## 6 Discussion and Future Work

We proposed LASE, a parametric model capable of learning to approximate the ASE of a given graph in an unsupervised fashion, even in cases where GNNs fail at this GRL task. The novel architecture is based on the unrolling of a GD algorithm that solves a matrix factorization formulation of the ASE problem. This

---

unrolling process leads to a deep model, where each layer (or LASE block) consists of a superposition of GCN and GAT sub-modules. Interestingly, by default the GAT modules operate on a fully-connected graph, with attention coefficients equal to the inner product between the incident nodes’ embeddings. We empirically demonstrated that few layers (in comparison to the iterations needed for GD to converge) of a trained LASE suffice to output embeddings whose accuracy is on par with the eigendecomposition-based ASE gold standard – even when the given graph has unobserved edges. Regarding scalability, we proposed an efficient training scheme using randomly sampled sub-graphs from the target (large) graph we wish to embed. This technique together with sparse attention mechanisms, allowed us to infer accurate spectral embeddings faster than highly-optimized eigensolvers in scientific computing libraries, or, other state-of-the-art iterative methods.

In addition to their adoption for clustering or other network-analytic tasks (e.g., visualization), spectral embeddings have been popularized as PEs. For this use case, spectral embeddings are typically precomputed and concatenated with any available node features before being fed to a GNN, whose output is used for downstream tasks such as node classification. We have verified how, as expected, the LASE PEs are as useful as those obtained via ASE, again with the added robustness benefit of tolerating a significant number of unknown edges. Another one of our significant contributions is to demonstrate that LASE can also be used in an end-to-end fashion. Since LASE is a fully differentiable parametric function, we can embed it within a larger GRL pipeline and train the whole system using an augmented loss that combines prediction and reconstruction terms. The GNN’s input is a concatenation of the output of LASE and the nodes’ features, all in all resulting in a fully learnable PE architecture. Crucially, this eliminates the need for precomputing spectral PEs, achieving a prediction accuracy that is either superior to or competitive with methods requiring such computationally taxing offline step.

LASE opens up several research avenues, of which we highlight some of the most intriguing ones here. Firstly, the LASE architecture follows very closely the GD algorithm it was inspired from. For instance, we have not used any form of non-linearity in our basic model. Interleaving non-linear activations may increase the system’s expressivity, generate sparsity in the GAT sub-module, or even mimic second-order optimization methods. Other modifications, such as skip connections mirroring momentum-based algorithms, may further reduce the number of layers required in LASE. We stress that is the algorithm unrolling principle that facilitates all these interesting potential links with advances in optimization theory and algorithms.

Secondly, there are several properties of LASE that we have empirically verified but deserve a theoretical study. For instance, the transferability of the learned weights in LASE that we used when training in smaller sub-graphs is based on the fact that (with the proper normalizations), the optimum of the reconstruction cost in the original and smaller graphs should coincide, in expectation. However, a more precise analysis of the impact on LASE’s parameters of this method, or assessing the transferability between graphs with different spectral properties, is in order.

Finally, we have not considered directed graphs. In this case, the nodal representation includes two vectors, modeling the outgoing and incoming behavior of each node. Interestingly, these spectral embeddings can also be computed through a first-order iterative algorithm, although in this case it is necessary to consider certain Riemannian manifold constraints (Fiori et al., 2024). Taking an unrolling perspective on this method is clearly an interesting, albeit challenging, task that is part of our ongoing research agenda.

## References

- Ralph Abboud, İsmail İlkan Ceylan, Martin Grohe, and Thomas Lukasiewicz. The surprising power of graph neural networks with random node initialization. In *Proc. Thirtieth International Joint Conference on Artificial Intelligence (IJCAI)*, 2021.
- Avanti Athreya, Donniell E. Fishkind, Minh Tang, Carey E. Priebe, Youngser Park, Joshua T. Vogelstein, Keith Levin, Vince Lyzinski, Yichen Qin, and Daniel L Sussman. Statistical inference on random dot product graphs: A survey. *J. Mach. Learn. Res.*, 18(1):8393–8484, January 2017. ISSN 1532-4435.
- Amir Beck and Marc Teboulle. A fast iterative shrinkage-thresholding algorithm for linear inverse problems. *SIAM J. Imaging Sci.*, 2(1):183–202, 2009.

- 
- Srinadh Bhojanapalli, Anastasios Kyrillidis, and Sujay Sanghavi. Dropping convexity for faster semi-definite optimization. In *Proc. Conf. Learn. Theory*, pp. 530–582, 2016.
- Ines Chami, Sami Abu-El-Haija, Bryan Perozzi, Christopher Ré, and Kevin Murphy. Machine learning on graphs: A model and comprehensive taxonomy. *J. Mach. Learn. Res.*, 23(89):1–64, 2022.
- Siheng Chen, Yonina C. Eldar, and Lingxiao Zhao. Graph unrolling networks: Interpretable neural networks for graph signal denoising. *IEEE Trans. Signal Process.*, 69:3699–3713, 2021.
- Yuejie Chi, Yue M. Lu, and Yuxin Chen. Nonconvex optimization meets low-rank matrix factorization: An overview. *IEEE Trans. Signal Process.*, 67(20):5239–5269, 2019.
- Jaewon Chung, Benjamin D. Pedigo, Eric W. Bridgeford, Bijan K. Varjavand, Hayden S. Helm, and Joshua T. Vogelstein. Grasp: Graph statistics in Python. *J. Mach. Learn. Res.*, 20(158):1–7, 2019.
- Vijay Prakash Dwivedi, Anh Tuan Luu, Thomas Laurent, Yoshua Bengio, and Xavier Bresson. Graph neural networks with learnable structural and positional representations. In *Proc. Int. Conf. Learn. Representations*, 2022.
- Moshe Eliasof, Fabrizio Frasca, Beatrice Bevilacqua, Eran Treister, Gal Chechik, and Haggai Maron. Graph positional encoding via random feature propagation. In *Proc. Int. Conf. Mach. Learn.*, pp. 9202–9223, 2023.
- Matthias Fey and Jan Eric Lenssen. Fast graph representation learning with pytorch geometric. *arXiv preprint arXiv:1903.02428*, 2019.
- Marcelo Fiori, Bernardo Marenco, Federico Larroca, Paola Bermolen, and Gonzalo Mateos. Gradient-based spectral embeddings of random dot product graphs. *IEEE Trans. Signal Inf. Process. Netw.*, 10:1–16, 2024.
- Karol Gregor and Yann LeCun. Learning fast approximations of sparse coding. In *Proc. Int. Conf. Mach. Learn.*, 2010.
- William L. Hamilton. Graph representation learning. *Synthesis Lectures on Artificial Intelligence and Machine Learning*, 14:1–159, 2020.
- Peter D Hoff, Adrian E Raftery, and Mark S Handcock. Latent space approaches to social network analysis. *J. Am. Stat. Assoc.*, 97(460):1090–1098, 2002.
- Ningyuan Teresa Huang, Soledad Villar, Carey Priebe, Da Zheng, Chengyue Huang, Lin Yang, and Vladimir Braverman. From local to global: Spectral-inspired graph neural networks. In *NeurIPS 2022 Workshop: New Frontiers in Graph Learning*, 2022.
- Elvin Isufi, Fernando Gama, David I Shuman, and Santiago Segarra. Graph filters for signal processing and machine learning on graphs. *IEEE Trans. Signal Process.*, pp. 1–32, 2024.
- Charilaos I Kanatsoulis and Alejandro Ribeiro. Graph neural networks are more powerful than we think. In *Proc. Int. Conf. Acoustics, Speech, Signal Process.*, pp. 7550–7554, 2024.
- Nicolas Keriven and Samuel Vaiter. What functions can graph neural networks compute on random graphs? the role of positional encoding. In A. Oh, T. Naumann, A. Globerson, K. Saenko, M. Hardt, and S. Levine (eds.), *Proc. Adv. Neural. Inf. Process. Syst.*, volume 36, pp. 11823–11849. Curran Associates, Inc., 2023.
- Thomas N Kipf and Max Welling. Variational graph auto-encoders. *arXiv preprint arXiv:1611.07308*, 2016.
- Derek Lim, Joshua David Robinson, Lingxiao Zhao, Tess Smidt, Suvrit Sra, Haggai Maron, and Stefanie Jegelka. Sign and basis invariant networks for spectral graph representation learning. In *Proc. Int. Conf. Learn. Representations*, 2023.
- Renming Liu, Semih Cantürk, Olivier Lapointe-Gagné, Vincent Létourneau, Guy Wolf, Dominique Beaini, and Ladislav Rampásek. Graph positional and structural encoder. *arXiv preprint arXiv:2307.07107*, 2024.

- 
- Mingyuan Ma, Sen Na, and Hongyu Wang. Aegcn: An autoencoder-constrained graph convolutional network. *Neurocomputing*, 432:21–31, 2021.
- Abram Magner, Mayank Baranwal, and Alfred O. Hero. The power of graph convolutional networks to distinguish random graph models. In *2020 IEEE International Symposium on Information Theory (ISIT)*, pp. 2664–2669, 2020. doi: 10.1109/ISIT44484.2020.9174092.
- Vishal Monga, Yuelong Li, and Yonina C. Eldar. Algorithm unrolling: Interpretable, efficient deep learning for signal and image processing. *IEEE Signal Process. Mag.*, 38(2):18–44, 2021.
- Christopher Morris, Martin Ritzert, Matthias Fey, William L. Hamilton, Jan Eric Lenssen, Gaurav Rattan, and Martin Grohe. Weisfeiler and Leman go neural: higher-order graph neural networks. In *Proc. AAAI Conf. Artif. Intell.*, 2019.
- Christopher Morris, Yaron Lipman, Haggai Maron, Bastian Rieck, Nils M. Kriege, Martin Grohe, Matthias Fey, and Karsten Borgwardt. Weisfeiler and leman go machine learning: the story so far. *J. Mach. Learn. Res.*, 24(1), March 2024. ISSN 1532-4435.
- Masatoshi Nagahama, Koki Yamada, Yuichi Tanaka, Stanley H. Chan, and Yonina C. Eldar. Graph signal restoration using nested deep algorithm unrolling. *IEEE Trans. Signal Process.*, 70:3296–3311, 2022.
- Xingyue Pu, Tianyue Cao, Xiaoyun Zhang, Xiaowen Dong, and Siheng Chen. Learning to learn graph topologies. In *Proc. Adv. Neural. Inf. Process. Syst.*, 2021.
- Omri Puny, Heli Ben-Hamu, and Yaron Lipman. Global attention improves graph networks generalization. *arXiv preprint arXiv:2006.07846*, 2020.
- Ladislav Rampásek, Michael Galkin, Vijay Prakash Dwivedi, Anh Tuan Luu, Guy Wolf, and Dominique Beaini. Recipe for a general, powerful, scalable graph transformer. *Proc. Adv. Neural. Inf. Process. Syst.*, 35:14501–14515, 2022.
- Benedek Rozemberczki, Carl Allen, and Rik Sarkar. Multi-scale attributed node embedding. *Journal of Complex Networks*, 9(2), May 2021.
- Patrick Rubin-Delanchy, Joshua Cape, Minh Tang, and Carey E Priebe. A statistical interpretation of spectral embedding: the generalised random dot product graph. *Journal of the Royal Statistical Society Series B: Statistical Methodology*, 84(4):1446–1473, 2022.
- Luana Ruiz, Luiz Chamon, and Alejandro Ribeiro. Graphon neural networks and the transferability of graph neural networks. In *Proc. Adv. Neural. Inf. Process. Syst.*, volume 33, pp. 1702–1712, 2020.
- Luana Ruiz, Ningyuan Teresa Huang, and Soledad Villar. A spectral analysis of graph neural networks on dense and sparse graphs. In *Proc. Int. Conf. Acoustics, Speech, Signal Process.*, pp. 9936–9940, 2024.
- Amin Salehi and Hasan Davulcu. Graph attention auto-encoders. In *2020 IEEE 32nd International Conference on Tools with Artificial Intelligence (ICTAI)*, pp. 989–996. IEEE Computer Society, 2020.
- Ryoma Sato. A survey on the expressive power of graph neural networks. *arXiv preprint arXiv:2003.04078*, 2020.
- Ryoma Sato, Makoto Yamada, and Hisashi Kashima. Random features strengthen graph neural networks. In *Proc. SIAM International Conference on Data Mining (SDM)*, pp. 333–341, 2021.
- Edward R Scheinerman and Kimberly Tucker. Modeling graphs using dot product representations. *Comput. Stat.*, 25:1–16, 2010.
- Oleksandr Shchur, Maximilian Mumme, Aleksandar Bojchevski, and Stephan Günnemann. Pitfalls of graph neural network evaluation. 2019.
- Yunsheng Shi, Zhengjie Huang, Shikun Feng, Hui Zhong, Wenjin Wang, and Yu Sun. Masked label prediction: Unified message passing model for semi-supervised classification. *arXiv preprint arXiv:2009.03509*, 2021.



- 
- Harsh Shrivastava, Xinshi Chen, Binghong Chen, Guanghai Lan, Srinvas Aluru, and Le Song. GLAD: Learning sparse graph recovery. In *Proc. Int. Conf. Learn. Representations*, pp. 1–22, 2020.
- Pablo Sprechmann, Alexander M. Bronstein, and Guillermo Sapiro. Learning efficient sparse and low rank models. *IEEE Trans. Pattern Anal. Mach. Intell.*, 37(9):1821–1833, 2015.
- Balasubramaniam Srinivasan and Bruno Ribeiro. On the equivalence between positional node embeddings and structural graph representations. In *International Conference on Learning Representations*, 2020.
- Petar Veličković, Guillem Cucurull, Arantxa Casanova, Adriana Romero, Pietro Liò, and Yoshua Bengio. Graph attention networks. In *Proc. Int. Conf. Learn. Representations*, 2018.
- Clement Vignac, Andreas Loukas, and Pascal Frossard. Building powerful and equivariant graph neural networks with structural message-passing. *Advances in neural information processing systems*, 33:14143–14155, 2020.
- Erik Voeten, Anton Strezhnev, and Michael Bailey. United Nations General Assembly Voting Data, 2009. URL <https://doi.org/10.7910/DVN/LEJUQZ>.
- Ulrike von Luxburg. A tutorial on spectral clustering. *Statistics and Computing*, 17(4):395–416, 2007.
- Trung Vu and Raviv Raich. Exact linear convergence rate analysis for low-rank symmetric matrix completion via gradient descent. In *Proc. Int. Conf. Acoustics, Speech, Signal Process.*, pp. 3240–3244, 2021.
- Haorui Wang, Haoteng Yin, Muhan Zhang, and Pan Li. Equivariant and stable positional encoding for more powerful graph neural networks. In *International Conference on Learning Representations*, 2022.
- Max Wasserman and Gonzalo Mateos. Graph structure learning with interpretable Bayesian neural networks. *Trans. Mach. Learn. Res.*, 2024.
- Max Wasserman, Saurabh Sihag, Gonzalo Mateos, and Alejandro Ribeiro. Learning graph structure from convolutional mixtures. *Trans. Mach. Learn. Res.*, 2023.
- Fangzheng Xie and Yanxun Xu. Efficient estimation for random dot product graphs via a one-step procedure. *J. Am. Stat. Assoc.*, 118(541):651–664, 2023.
- Keyulu Xu, Weihua Hu, Jure Leskovec, and Stefanie Jegelka. How powerful are graph neural networks? In *Proc. Int. Conf. Learn. Representations*, 2018.
- Zhilin Yang, William Cohen, and Ruslan Salakhudinov. Revisiting semi-supervised learning with graph embeddings. In *Proceedings of The 33rd International Conference on Machine Learning*. PMLR, June 2016.
- Chang Ye and Gonzalo Mateos. Learning to identify sources of network diffusion. In *Proc. of European Signal Process. Conf.*, pp. 727–731, Sep. 2022.
- Manzil Zaheer, Guru Guruganesh, Kumar Avinava Dubey, Joshua Ainslie, Chris Alberti, Santiago Ontanon, Philip Pham, Anirudh Ravula, Qifan Wang, Li Yang, and Amr Ahmed. Big bird: Transformers for longer sequences. In *Advances in Neural Information Processing Systems*, 2020.

## A Appendix

### A.1 Graph convolutional filters: A step-by-step derivation

Graph convolutions are defined in terms of the so-called Graph Shift Operator  $\mathbf{S} \in \mathbb{R}^{N \times N}$ , a matrix representation of the graph  $G(\mathcal{V}, \mathcal{E})$  that respects its sparsity; i.e.  $S_{ij} \neq 0$  if  $(j, i) \in \mathcal{E}$ ; see e.g., Isufi et al. (2024). In the main body of the paper we used  $\mathbf{S} = \mathbf{A} = \mathbf{A}^\top$  for illustrative purposes, but other possibilities, such as the Laplacian or their normalized counterparts are also viable choices. Assume that each node  $i \in \mathcal{V}$  is endowed with a signal  $(x_{\text{in}})_i \in \mathbb{R}$ , then a first-order graph convolution is defined as

$$(x_{\text{out}})_i = (x_{\text{in}})_i h_0 + \sum_j S_{ij} (x_{\text{in}})_j h_1, \quad i \in \mathcal{V},$$

where  $h_0, h_1 \in \mathbb{R}$  are the filter coefficients. In words, the result of the convolution in a given node is a linear combination between its own signal and the sum of its neighbors' signals. This can be compactly written in terms of the matrix representation of the graph as

$$\mathbf{x}_{\text{out}} = \mathbf{x}_{\text{in}} h_0 + \mathbf{S} \mathbf{x}_{\text{in}} h_1$$

where  $\mathbf{x}_{\text{in}}, \mathbf{x}_{\text{out}} \in \mathbb{R}^N$  are column vectors including all the nodes' signals. From this perspective, we may re-interpret  $\mathbf{S} \mathbf{x}_{\text{in}}$  as a displaced or shifted version of  $\mathbf{x}_{\text{in}}$ . Arbitrary filters can be generated by repeatedly multiplying the input signal by  $\mathbf{S}$  (i.e. repeatedly shifting the signal), resulting in the following general definition of a  $K$ -th order graph convolution:

$$\mathbf{x}_{\text{out}} = \sum_{k=0}^K \mathbf{S}^k \mathbf{x}_{\text{in}} h_k. \quad (17)$$

By virtue of the Cayley-Hamilton theorem, one has that  $K \leq N$ . This expression can be extended to include multi-dimensional signals. If the input and output signals have  $F_{\text{in}}$  and  $F_{\text{out}}$  features per node respectively, then  $\mathbf{X}_{\text{in}} \in \mathbb{R}^{N \times F_{\text{in}}}$  and  $\mathbf{X}_{\text{out}} \in \mathbb{R}^{N \times F_{\text{out}}}$ , resulting in the final form of the graph convolution [cf. (2)]:

$$\mathbf{X}_{\text{out}} = \sum_{k=0}^K \mathbf{S}^k \mathbf{X}_{\text{in}} \mathbf{H}_k, \quad (18)$$

where  $\mathbf{H}_k \in \mathbb{R}^{F_{\text{in}} \times F_{\text{out}}}$ . To interpret (18), notice that the  $F_{\text{out}}$  dimensions of the output signal correspond to a linear combination of the  $F_{\text{in}}$  dimensions of the shifted input signal, where this last step does not include exchanged information between nodes.

### A.2 Graph convolution's output under white Gaussian noise and the symmetric SBM

Assume that in (17) we have that  $\mathbf{x}_{\text{in}} \sim \mathcal{N}(\boldsymbol{\mu}, \boldsymbol{\Sigma})$  is white Gaussian noise, i.e., a standard multivariate Gaussian vector with mean  $\boldsymbol{\mu} = \mathbf{0}$  and covariance  $\boldsymbol{\Sigma} = \mathbf{I}_N$ . Recalling the definition of GFT  $\tilde{\mathbf{x}}_{\text{in}} = \mathbf{V}^\top \mathbf{x}_{\text{in}}$  and using basic properties of a Gaussian vector we have that  $\tilde{\mathbf{x}}_{\text{in}}$  is also a standard Normal random vector. Furthermore, applying the GFT results discussed in Section 2.2 we conclude that  $\mathbf{x}_{\text{out}}$  is a random combination of the eigenvectors  $\mathbf{v}_i$ , weighted by the filter's frequency response  $\tilde{h}(\lambda_i)$ , namely

$$\mathbf{x}_{\text{out}} = \sum_{i=1}^N \tilde{h}(\lambda_i) (\tilde{x}_{\text{in}})_i \mathbf{v}_i.$$

In particular, the  $j$ -th coordinate of  $\mathbf{x}_{\text{out}}$  is a zero-mean Gaussian random variable with variance equal to  $\sum_{i=1}^N \tilde{h}(\lambda_i)^2 (\mathbf{v}_i^2)_j$ , where the squaring operation is to be conducted entry-wise. Note that if  $\mathbf{v}_i^2$  is a constant vector for all  $i$ , then  $\mathbf{x}_{\text{out}}$  is statistically identical for all its entries  $j$ . This is precisely the case for the symmetric SBM studied in Example 1. In particular, the two dominant eigenvectors are  $\mathbf{v}_1 \approx 0.3 \times \mathbf{1}_N$  and  $\mathbf{v}_2 \approx [0.3 \times \mathbf{1}_{N/2} \parallel -0.3 \times \mathbf{1}_{N/2}]$  with eigenvalues of  $\lambda_1 \approx 0.3$  and  $\lambda_2 \approx 0.2$  respectively. The other eigenvalues are orders of magnitude smaller.

$\rho$	No PE	ASE PE	LASE PE	LASE E2E	PowerEmbed
0	70.9 $\pm$ 0.5	71.1 $\pm$ 0.5	71.4 $\pm$ 0.4	<b>71.8 <math>\pm</math> 0.5</b>	-
0.2	71.0 $\pm$ 0.6	71.5 $\pm$ 0.6	70.5 $\pm$ 0.5	<b>71.8 <math>\pm</math> 0.3</b>	-
0.4	70.6 $\pm$ 0.4	71.0 $\pm$ 0.6	71.2 $\pm$ 0.5	<b>71.3 <math>\pm</math> 0.4</b>	-
0.6	70.6 $\pm$ 0.6	70.7 $\pm$ 0.6	70.9 $\pm$ 0.4	<b>71.0 <math>\pm</math> 0.3</b>	-
0.8	69.9 $\pm$ 0.5	70.0 $\pm$ 0.5	70.1 $\pm$ 0.5	<b>70.3 <math>\pm</math> 0.3</b>	-

Table 4: Mean accuracy  $\pm$  standard deviation over 10 data splits for the Twitch ES network with different proportions of missing edges  $\rho$ . The results with (\*) trained using sparse attention WS with  $r = 0.1$  and  $p = 0.1$  instead of *full attention*. The results with (\*\*) corresponds to PowerEmbed(RW)-2 taken from Huang et al. (2022) which uses the Random Walk matrix and 2 iterations (“-” denotes results not available).

$\rho$	No PE	ASE PE	LASE PE	LASE E2E	PowerEmbed
0	<b>75.0 <math>\pm</math> 0.2</b>	74.6 $\pm$ 0.4	74.6 $\pm$ 0.3	74.6 $\pm$ 0.4	73.27 $\pm$ 0.75 (**)
0.2	73.7 $\pm$ 0.5	<b>73.8 <math>\pm</math> 0.4</b>	73.7 $\pm$ 0.4	73.0 $\pm$ 0.5	-
0.4	<b>73.0 <math>\pm</math> 0.5</b>	72.7 $\pm$ 0.3	72.4 $\pm$ 0.4	72.7 $\pm$ 0.7	-
0.6	72.3 $\pm$ 0.6	71.9 $\pm$ 0.7	72.3 $\pm$ 0.5	<b>72.4 <math>\pm</math> 0.5</b>	-
0.8	71.8 $\pm$ 0.4	71.1 $\pm$ 0.3	<b>71.9 <math>\pm</math> 0.7</b>	71.0 $\pm$ 0.2	-

Table 5: Mean accuracy  $\pm$  standard deviation over 10 data splits for the Citeseer network with different proportions of missing edges  $\rho$ . The results with (\*) trained using sparse attention WS with  $r = 0.1$  and  $p = 0.1$  instead of *full attention*. The results with (\*\*) corresponds to PowerEmbed(RW)-2 taken from Huang et al. (2022) which uses the Random Walk matrix and 2 iterations (“-” denotes results not available).

In this context, consider the idea in (Kanatsoulis & Ribeiro, 2024). In order to avoid random outputs, they work with the output signal’s variance instead, which is then fed to a GNN. Accordingly, for the symmetric SBM of Example 1 we obtain

$$\mathbb{E} [\mathbf{x}_{\text{out}}^2] = \sum_{i=1}^N \tilde{h}^2(\lambda_i) \mathbf{v}_i^2 \approx (\tilde{h}^2(0.3) + \tilde{h}^2(0.2)) \times 0.09 \times \mathbf{1}_N,$$

which is a constant, and thus cannot be used to discriminate between nodes. Note that we are neglecting the smaller eigenvalues, but under an SBM these are noise and should be ignored by any learning system.

### A.3 Further node classification results

As a complement to Section 4.2.2, results corresponding to the Twitch ES and Citeseer networks are reported in Tables 4 and 5, respectively. Just like for Amazon, all methods obtain approximately the same performance, and it is relatively independent of the proportion of unknown edges. This is indicative that the graph structure does not provide significant information, which we have verified by training a 2-layered fully connected NN with hidden dimension of 64, using only the node features as input. Node classification results for Twitch ES and Citeseer are  $70.1 \pm 0.4$  and  $72.5 \pm 0.3$ , respectively.