

BOUNDARY VALUE PROBLEMS FOR 0-ELLIPTIC OPERATORS

MARCO USULA

ABSTRACT. Let X be a manifold with boundary, and let L be a 0-elliptic operator on X which is semi-Fredholm essentially surjective with infinite-dimensional kernel. Examples include Hodge Laplacians and Dirac operators on conformally compact manifolds. We construct left and right parametrices for L when supplemented with appropriate elliptic boundary conditions. The construction relies on a new calculus of pseudodifferential operators on functions over both X and ∂X , which we call the “symbolic 0-calculus”. This new calculus supplements the ordinary 0-calculus of Mazzeo–Melrose, enabling it to handle boundary value problems. In the original 0-calculus, operators are characterized as polyhomogeneous right densities on a blow-up of X^2 . By contrast, operators in the symbolic 0-calculus are characterized (locally near each point of the boundary of the diagonal) as quantizations of polyhomogeneous symbols on appropriate blown-up model spaces.

CONTENTS

1. Introduction	1
2. A primer on 0-pseudodifferential theory	5
3. Boundary value problems	18
4. The symbolic 0-calculus	29
5. Adjoints, compositions, mapping properties	52
6. Parametrix construction	79
7. Appendix	89
References	93

1. INTRODUCTION

Let Y be a closed manifold. If $L \in \text{Diff}^m(Y)$ is an elliptic operator, then the induced map $L : C^\infty(Y) \rightarrow C^\infty(Y)$ is Fredholm. This can be proved easily using pseudodifferential theory: if L is elliptic, then it has a parametrix $Q \in \Psi^{-m}(X)$, i.e. a pseudodifferential inverse for L modulo smoothing operators in $\Psi^{-\infty}(X)$. This implies Fredholmness, because smoothing operators on a closed manifold are compact.

On a compact manifold with boundary X , elliptic operators need not be Fredholm. For example, the Laplacian Δ relative to a smooth metric on X has infinite-dimensional kernel. To recover Fredholmness, one needs to impose boundary conditions, such as for example Dirichlet or Neumann boundary conditions for Δ . In the general setting, given an elliptic operator L , one aims to supplement the equation $Lu = v$ with an equation prescribing the value of some pseudodifferential operator on ∂X acting on the “boundary value” of u . Under an appropriate ellipticity hypothesis on the boundary condition, the supplemented map is Fredholm. This paper provides a similar result for a natural class of differential operators on X , degenerate along the boundary ∂X , called *0-differential operators*.

The degeneracy type we consider in this paper has been introduced by Mazzeo in [Maz91]. An *edge structure* on X is a fibration $\phi : \partial X \rightarrow B$ of the boundary. Associated to ϕ , we have a Lie algebra $\mathcal{V}_e(X)$ of *edge vector fields*, i.e. those vector fields on X which are tangent to the fibers of ϕ , and a corresponding ring $\text{Diff}_e^\bullet(X)$ of *edge differential operators*. There is a natural notion of *edge ellipticity*: the Lie algebra $\mathcal{V}_e(X)$ is the bundle of sections of a vector bundle eTX on X , called the *edge tangent bundle*, and if $L \in \text{Diff}_e^m(X)$ then the principal symbol in the interior extends to a fibrewise homogeneous function on the dual ${}^eT^*X$; the operator is *edge elliptic* if this function is invertible away from the zero section. Examples of such operators are ubiquitous in

geometry: an *edge metric* g on X is a metric on the bundle eTX , and it determines a complete metric on X° ; the usual elliptic operators in Riemannian geometry, such as Laplacians and Dirac operators, are all edge elliptic. We refer to [Maz91] for more details on edge elliptic operators.

There are two natural “extremal” edge structures: if ϕ is the fibration over a point, we get the Lie algebra $\mathcal{V}_b(X)$ of *b-vector fields* tangent to the boundary, and the corresponding ring $\text{Diff}_b^\bullet(X)$ of *b-differential*, or *totally characteristic*, operators; on the other hand, if ϕ is the identity on ∂X , we get the Lie algebra $\mathcal{V}_0(X)$ of *0-vector fields* which vanish on the boundary, and the corresponding ring $\text{Diff}_0^\bullet(X)$ of *0-differential operators*. b -metrics on X are asymptotically cylindrical, while 0-metrics on X (also called conformally compact metrics) are asymptotically negatively curved; the typical example is the hyperbolic metric itself, which can be seen as a 0-metric on the closed unit ball.

Edge operators are bounded between weighted Sobolev and Hölder spaces associated to $\mathcal{V}_e(X)$. For simplicity, in this introduction we will avoid regularity issues and work instead on the space $x^\delta H_b^\infty(X)$ of *o*(x^δ) *conormal functions*. We denote by $L_b^2(X)$ the space of L^2 functions with respect to a b -metric on X , and by $H_b^\infty(X)$ the space of L_b^2 functions which remain L_b^2 when acted upon by any number of b -vector fields. Furthermore, given a non-negative function x on X such that $x^{-1}(0) = \partial X$ and x vanishes transversely on ∂X , we denote by $x^\delta H_b^\infty(X)$ the space of functions $x^\delta u$ with $u \in H_b^\infty(X)$. These Fréchet spaces should be thought of as the natural analogues of the space of smooth functions on a closed manifold.

If $L \in \text{Diff}_e^m(X)$, then L induces continuous linear maps

$$L : x^\delta H_b^\infty(X) \rightarrow x^\delta H_b^\infty(X).$$

However, in contrast to the closed case, edge ellipticity of L alone is *not* sufficient for Fredholmness. More precisely, Fredholmness depends on the invertibility of a family of model operators, called the *Bessel family* of L . The Bessel family of L is an “operator-valued principal symbol” $\eta \mapsto \hat{N}_\eta(L)$, parametrized by $\eta \in T^*\partial X$, such that for every $p \in \partial X$ and $\eta \in T_p^*\partial X$ $\hat{N}_\eta(L)$ is an operator on functions over the fiber $N_p^+\partial X$ of the inward-pointing normal bundle of ∂X in X . If $\hat{N}_\eta(L)$ is injective (resp. surjective) on $x^\delta H_b^\infty(N_p^+\partial X)$ for every $p \in \partial X$ and $\eta \in T_p^*\partial X \setminus 0$, then L is semi-Fredholm essentially injective (resp. surjective) on $x^\delta H_b^\infty(X)$.

The theory of b -elliptic operators was studied by Melrose–Mendoza in [MM83] and by Melrose in [Mel93]: in this case, the Bessel family of L is particularly simple (it reduces to a holomorphic family of elliptic operators on ∂X), and the result is that for all δ but a discrete subset¹, L is Fredholm on $x^\delta H_b^\infty(X)$. The 0-elliptic case was studied by Mazzeo–Melrose in [MM87, Maz86], and a full theory of edge elliptic operators, encompassing both the b -case and the 0-case, was developed by Mazzeo in [Maz91]. The result in this case (when the base of the fibration $\phi : \partial X \rightarrow B$ has positive dimension) is more involved: in general, L is only semi-Fredholm essentially injective (resp. surjective) for δ large (resp. small) enough, but there may not be weighted spaces on which the operator is Fredholm. For example, Dirac operators on edge manifolds with $\dim(B) > 0$ typically do not admit Fredholm weights. Another example is the Hodge Laplacian on middle degree forms over conformally compact manifolds.

In the semi-Fredholm essentially surjective case, it is of great interest to be able to supplement L with appropriate boundary conditions, in order to get Fredholmness. In this paper, mainly for simplicity, we will focus on 0-differential operators; we expect that the theory will extend relatively easily to the edge case. Let us fix a 0-elliptic operator $L \in \text{Diff}_0^m(X)$, and a surjective, not injective weight $\delta \in \mathbb{R}$. The operator $L : x^\delta H_b^\infty(X) \rightarrow x^\delta H_b^\infty(X)$ is then essentially surjective, but with infinite-dimensional kernel. We wish to supplement L with boundary conditions, in order to obtain a Fredholm operator. In this paper, imposing a boundary condition on $u \in x^\delta H_b^\infty(X)$ means:

- (1) projecting u orthogonally to the part $P_1 u$ of u in the kernel; here P_1 is the orthogonal projector onto the $x^\delta L_b^2$ kernel of L for some auxiliary choice of an Hilbert inner product on $x^\delta L_b^2(X)$;
- (2) extracting the “boundary value”, or more precisely the *trace*, of $P_1 u$, which we will denote by $\mathbf{A}_L u$;
- (3) applying the “boundary condition”, a pseudodifferential operator \mathbf{Q} , to $\mathbf{A}_L u$.

¹The real parts of the indicial roots of L .

The trace map \mathbf{A}_L is central in this paper. It is proved in [Maz91] that, under a certain hypothesis² on L which is satisfied in most geometrically interesting cases, any $x^\delta H_b^\infty$ solution of Lu admits an asymptotic expansion in a collar $[0, \varepsilon) \times \partial X \hookrightarrow X$ of ∂X in X of the form

$$u \sim \sum_{\substack{\mu \in \text{spec}_b(L) \\ \Re(\mu) > \delta}} \sum_{k=0}^{\infty} \sum_{l=0}^{\tilde{M}_\mu} u_{\mu,k,l} \cdot x^{\mu+k} (\log x)^l;$$

here $\text{spec}_b(L)$ is a finite subset of \mathbb{C} , whose elements are called the *indicial roots* of L , and the coefficients $u_{\mu,x,l}$ are smooth functions on the boundary³. Solving formally the equation $Lu = 0$ term by term in the expansion above, one realizes that the coefficients $u_{\mu,k,l}$ are not independent of each other: only the “leading coefficients” $\{u_{\mu,0,l} : \mu \in \text{spec}_b(L)\}$ are formally free, while the coefficient $u_{\mu,k,l}$ for $k > 0$ can be expressed as a linear differential combination of the coefficients $u_{\mu',0,l'}$, where $\mu - \mu' \in \mathbb{N}$ and $l' \leq l$. The trace map \mathbf{A}_L sends a function $u \in x^\delta H_b^\infty(X)$ to the family $\{w_{\mu,0,l} : \mu \in \text{spec}_b(L)\}$ of leading coefficients⁴ in the expansion of $w = P_1 u$, the projection of u onto the kernel of L .

It turns out that the leading coefficients $\{w_{\mu,0,l} : \mu \in \text{spec}_b(L), \Re(\mu) \leq \bar{\delta}\}$ can be neatly interpreted as sections of a natural smooth vector bundle \mathbf{E}_L over ∂X , and therefore the trace map \mathbf{A}_L can be seen as a map

$$\mathbf{A}_L : x^\delta H_b^\infty(X) \rightarrow C^\infty(\partial X; \mathbf{E}_L).$$

The boundary condition is then a pseudodifferential operator $\mathbf{Q} \in \Psi^\bullet(\partial X; \mathbf{E}_L, \mathbf{W})$ where \mathbf{W} is another vector bundle. The supplemented operator is

$$\mathcal{L} := L \oplus \mathbf{Q}\mathbf{A}_L : x^\delta H_b^\infty(X) \rightarrow x^\delta H_b^\infty(X) \oplus C^\infty(\partial X; \mathbf{W}).$$

The notion of *ellipticity* of the boundary condition \mathbf{Q} is due to Mazzeo–Vertman [MV14]. Roughly speaking, \mathcal{L} itself comes equipped with an operator-valued symbol $\hat{N}(\mathcal{L})$, its *Bessel family*. It takes the form $\eta \mapsto \hat{N}_\eta(\mathcal{L}) = \hat{N}_\eta(L) \oplus \sigma_\eta(\mathbf{Q}) \hat{N}_\eta(\mathbf{A}_L)$, where $\eta \in T^*\partial X \setminus 0$ and, if $\pi(\eta) = p \in \partial X$:

- (1) $\hat{N}_\eta(L)$ is the Bessel operator of L at η ;
- (2) $\sigma_\eta(\mathbf{Q})$ is the principal symbol of \mathbf{Q} ;
- (3) $\hat{N}_\eta(\mathbf{A}_L)$ is the *Bessel trace map*, sending a function $u \in x^\delta L_b^2(N_p^+ \partial X)$ to the trace of $\hat{N}_\eta(P_1)u$, the projection of u onto the kernel of $\hat{N}_\eta(L)$.

The boundary condition \mathbf{Q} is elliptic for L (relative to the weight δ) if $\hat{N}_\eta(\mathcal{L})$ is invertible as a map $x^\delta H_b^\infty(N_p^+ \partial X) \rightarrow x^\delta H_b^\infty(N_p^+ \partial X) \oplus \mathbf{W}_p$ for every $\eta \in T_p^* \partial X \setminus 0$ and every $p \in \partial X$. One of the main results of this paper is the following Fredholm theorem (the formulation here is slightly imprecise: see Theorem 6.3 and Theorem 6.13 for a precise formulation):

Theorem 1.1. *Let $L \in \text{Diff}_0^m(X)$ be a 0-elliptic operator with constant indicial roots, and let δ be a surjective, not injective weight for L . If $\mathbf{Q} \in \Psi^\bullet(\partial X; \mathbf{E}_L, \mathbf{W})$ is an elliptic boundary condition for L relative to the weight δ , then the map*

$$\mathcal{L} := L \oplus \mathbf{Q}\mathbf{A}_L : x^\delta H_b^\infty(X) \rightarrow x^\delta H_b^\infty(X) \oplus C^\infty(\partial X; \mathbf{W})$$

is Fredholm.

The proof is a parametrix construction. As always, the hard work consists in developing a pseudodifferential calculus well-suited to contain such a parametrix. In the fully elliptic case (0-ellipticity + invertible Bessel family), the approach adopted in [MM87, Maz86, Maz91] is to characterize the operators in the calculus in terms of the geometric structures of their Schwartz kernels. More precisely, the *large 0-calculus* $\Psi_0^{\bullet,\bullet}(X)$ consists of operators on functions over X , whose Schwartz kernels (a priori distributional right densities on X^2) lift to *polyhomogeneous* right densities on the blow-up $X_0^2 := [X^2 : \partial\Delta]$, with a standard pseudodifferential singularity along the lift Δ_0 of the diagonal $\Delta \subseteq X^2$. The class $\Psi_0^{\bullet,\bullet}(X)$ is filtered by the order of the interior conormal singularity, and by the orders of decay/blow up (more precisely, the *index sets*) of the

²Constancy of the indicial roots.

³If u is only in $x^\delta L_b^2(X)$, then the expansion is still well-defined but the coefficients have negative Sobolev regularity, cf. §7 of [Maz91].

⁴More precisely, the coefficients corresponding to the critical indicial roots, cf. §3.1.2.

lifted Schwartz kernels at the various faces of X_0^2 . We will recall the 0-calculus in detail in §2. Three crucial aspects of the theory are:

- (1) *inversion of the Bessel family*: given a 0-elliptic operator $L \in \text{Diff}_0^m(X)$, with constant indicial roots and invertible bessel family $\hat{N}(L)$, one needs to be able to find an operator in $\Psi_0^{-m, \bullet}(X)$ whose Bessel family coincides with $\hat{N}(L)^{-1}$;
- (2) *composition theorem*: given two operators $A \in \Psi_0^{m, \mathcal{E}}(X)$ $B \in \Psi_0^{m', \mathcal{F}}(X)$, one needs to know when the composition AB is well-defined, and on which instance of $\Psi_0^{\bullet, \bullet}(X)$ it lives;
- (3) *mapping properties*: given an operator $A \in \Psi_0^{m, \mathcal{E}}(X)$, one needs to know whether A is bounded on appropriate weighted 0-Sobolev or Hölder spaces, and whether it is compact.

The first two steps are quite challenging. The second step uses a very elegant and powerful technique due to Richard Melrose, which we refer to as the *pull-back / push-forward technique* (cf. §5.1).

The paper [MV14] by Mazzeo–Vertman, which constitutes the main inspiration for this work, attempts to use a similar approach to construct parametrices in the semi-Fredholm, essentially surjective case. [MV14] introduces two classes of operators that “bridge between” X and ∂X : the 0-trace operators, which map functions on X to functions on ∂X , are defined as polyhomogeneous right densities on $[\partial X \times X : \partial\Delta]$; the 0-Poisson operators, which map functions on ∂X to functions on X , are defined as polyhomogeneous right densities on $[X \times \partial X : \partial\Delta]$. Unfortunately, this approach does not seem sufficient to solve the whole problem. As we shall see in this paper, the parametrix construction requires a full discussion of composition theorems between 0-trace operators, 0-Poisson operators, operators in the interior 0-calculus, and pseudodifferential operators on the boundary. In [MV14], only some of these instances are considered. Moreover, in adopting the “Schwartz kernel approach”, various problems arise. It appears difficult to prove composition theorems involving pseudodifferential operators on the boundary, due to the different nature of the interior conormal singularity of pseudodifferential operators on ∂X , and the polyhomogeneous singularities of the Schwartz kernels of 0-trace and 0-Poisson operators. The composition theorems, which use the pull-back / push-forward technique, tend to give worse index sets than what is needed for the parametrix construction, and therefore ad-hoc techniques are required to improve these index sets. Finally, it is important to provide precise mapping properties for 0-traces and 0-Poisson operators, between weighted 0-Sobolev operators on X and Sobolev spaces on ∂X ; these mapping properties are not discussed in detail in [MV14]. We refer to [Usu22] for a more detailed discussion on this.

In this paper, we attempt to solve all these issues by adopting a different viewpoint. The main change of perspective compared to [Maz91, MV14] is that, instead of characterizing our operators as polyhomogeneous right densities on appropriate blow-ups of the double spaces X^2 , $\partial X \times X$ and $X \times \partial X$, we characterize them (locally near any point of the boundary of the diagonal $\partial\Delta$) as *quantizations of polyhomogeneous symbols* on appropriate blown-up spaces. To exemplify the idea, consider an operator in the 0-calculus $P \in \Psi_0^{-\infty, \mathcal{E}}(X)$: given a point $p \in \partial X$, and coordinates (x, y) for X centered at p , the Schwartz kernel of P in these coordinates coincides near (p, p) with a distributional right density $K(x, y, \tilde{x}, \tilde{y}) d\tilde{x}d\tilde{y}$, where $K(x, y, \tilde{x}, \tilde{y})$ lifts to a polyhomogeneous function of the blow-up of $\mathbb{R}_1^{n+1} \times \mathbb{R}_1^{n+1}$ at the locus $\{x = \tilde{x} = 0, y = \tilde{y}\}$. By contrast, we will consider operators $P : \dot{C}^\infty(X) \rightarrow C^{-\infty}(X)$ whose Schwartz kernels, in the coordinates above near the point (p, p) are of the form

$$P(y; x, \tilde{x}, y - \tilde{y}) d\tilde{x}d\tilde{y} = \frac{1}{(2\pi)^n} \int e^{i(y-\tilde{y})\eta} p(y; x, \tilde{x}, \eta) d\eta d\tilde{x}d\tilde{y},$$

where the symbol $p(y; x, \tilde{x}, \eta)$, a priori a distribution on $\mathbb{R}^n \times \mathbb{R}_2^2 \times \mathbb{R}^n$, lifts to a polyhomogeneous function on the product of \mathbb{R}^n and an appropriate blow-up of the model space $\mathbb{R}_2^2 \times \mathbb{R}^n$. A similar discussion holds for operator of trace and Poisson type.

We call the calculus developed in this paper the *symbolic 0-calculus*. It consists of several pieces:

- (1) two classes $\hat{\Psi}_0^{-\infty, \mathcal{E}}(X)$ and $\hat{\Psi}_{0b}^{-\infty, \mathcal{E}}(X)$ (note the hats!) of 0-*interior* and 0*b*-*interior* operators, acting on functions over X ; these classes are strictly related to the 0-calculus and the extended 0-calculus of Lauter [Lau03]; they are filtered by index families \mathcal{E} , which indicate the asymptotic properties of the *symbols* representing these operators;

- (2) classes $\hat{\Psi}_{0\text{tr}}^{-\infty,\mathcal{E}}(X, \partial X)$ and $\hat{\Psi}_{0\text{P}}^{-\infty,\mathcal{E}}(\partial X, X)$ of *symbolic 0-trace* and *0-Poisson operators*, strictly related to the classes of 0-trace and 0-Poisson operators introduced in [MV14], similarly filtered by index families indicating the asymptotic behavior of the symbols representing these operators in frequency space;
- (3) variants $\hat{\Psi}_{0\text{tr}}^{-\infty,\mathcal{E},\mathfrak{s}}(X; \partial X, \mathbf{E})$ and $\hat{\Psi}_{0\text{P}}^{-\infty,\mathcal{E},\mathfrak{s}}(\partial X, \mathbf{E}; X)$ of the classes above, which we call *twisted symbolic 0-trace and 0-Poisson operators*: here $\mathbf{E} \rightarrow \partial X$ is a vector bundle on ∂X , and $\mathfrak{s} : \mathbf{E} \rightarrow \mathbf{E}$ is a smooth endomorphism *with constant eigenvalues*;
- (4) a calculus $\Psi_{\text{phg}}^{\bullet,(\mathfrak{s},\mathfrak{t})}(\partial X; \mathbf{E}, \mathbf{F})$ of *twisted pseudodifferential operators* on ∂X , acting between sections of vector bundles $\mathbf{E}, \mathbf{F} \rightarrow \partial X$ equipped with smooth endomorphisms $\mathfrak{s}, \mathfrak{t}$ with constant eigenvalues.

The need for the twisted variants comes from a detailed analysis of the model problem at the Bessel level. For every point $p \in \partial X$, the Bessel trace map $\eta \mapsto \hat{N}_\eta(\mathbf{A}_L)$ restricted to $T_p^*\partial X \setminus 0$ is a family of operators $x^\delta H_b^\infty(N_p^+\partial X) \rightarrow (\mathbf{E}_L)_p$, which should be thought of as an “operator-valued principal symbol” for \mathbf{A}_L . The usual principal symbol of pseudodifferential operators on ∂X , and the Bessel families of operators in the 0-calculus, are all *homogeneous* with respect to the action of \mathbb{R}^+ on $T_p^*\partial X \setminus 0$ by dilations. By contrast, the family $\eta \rightarrow \hat{N}_\eta(\mathbf{A}_L)$ is *twisted* homogeneous: there is a natural endomorphism $\mathfrak{s}_L : \mathbf{E}_L \rightarrow \mathbf{E}_L$, whose eigenvalues are precisely the indicial roots⁵ of L , and the family $\eta \rightarrow \hat{N}_\eta(\mathbf{A}_L)$ satisfies the property

$$\hat{N}_{t\eta}(\mathbf{A}_L) = t^{\mathfrak{s}_L} \circ \hat{N}_\eta(\mathbf{A}_L) \circ \lambda_{t^{-1}}^*$$

for every $t > 0$, where $\lambda_{t^{-1}} : T_p^*\partial X \setminus 0 \rightarrow T_p^*\partial X \setminus 0$ is dilation by t^{-1} . The class $\hat{\Psi}_{0\text{tr}}^{-\infty,\mathcal{E},\mathfrak{s}}(X; \partial X, \mathbf{E})$ is developed precisely with the aim of accomodating the trace map \mathbf{A}_L . This aspect is not discussed in [MV14], but we believe it to be important for the theory.

The twisted homogeneity of the Bessel trace family indicates that the natural class of boundary conditions for the problem is a class of pseudodifferential operators with “twisted” principal symbols. The calculus $\Psi_{\text{phg}}^{\bullet,(\mathfrak{s},\mathfrak{t})}(\partial X; \mathbf{E}, \mathbf{F})$ is constructed precisely with this aim. This approach has been considered before: in fact, $\Psi_{\text{phg}}^{\bullet,(\mathfrak{s},\mathfrak{t})}(\partial X; \mathbf{E}, \mathbf{F})$ is a particularly simple subcalculus of the calculus developed by Krainer–Mendoza in [KM15], with the precise aim of formulating elliptic boundary conditions for edge elliptic operators. The calculus of [KM15] is much larger, because it aims to provide elliptic boundary conditions for elliptic edge operators with *variable* indicial roots. We restrict to the case of constant indicial roots, and this allows us to work with twisting endomorphisms with constant eigenvalues, which greatly simplifies some aspects of the theory. We remark that a generalization of the techniques presented in this paper to the variable indicial roots case requires substantial work along the lines of [KM15].

This paper is one of very many works aiming to discuss elliptic boundary value problems on singular spaces. Besides the already mentioned [MV14] and [KM15], we mention [Sch91, Sch94, Sch02, KM16].

The paper is organized as follows. §2 is a recap on the 0-calculus and related objects. In §3, we explain more in detail our formulation of boundary value problems, and we discuss the model problem. §4 and §5 form the technical core of the paper: in §4, we develop the symbolic 0-calculus, and we prove its relation with the 0-calculus and the extended 0-calculus, while in §5 we prove composition and mapping properties. Finally, in §6, we construct the parametrix and we prove the main theorem.

1.1. Acknowledgements. The author is grateful to Rafe Mazzeo and Joel Fine for their valuable discussions and insights that contributed to this work. A significant portion of this research was conducted during the author’s visit to Stanford University, and he wishes to extend his heartfelt thanks to the Department of Mathematics at Stanford for their generous support and hospitality. This work was supported by the EoS grant 4000725.

2. A PRIMER ON 0-PSEUDODIFFERENTIAL THEORY

In this section, we recall the main objects in the theory of 0-pseudodifferential operators. We will recall:

⁵More precisely, the *critical* indicial roots.

- (1) the 0-*calculus* introduced by Mazzeo–Melrose in [MM87, Maz86, Maz91], and the *extended 0-calculus* introduced by Lauter in [Lau03] (cf. also [Hin23a]);
- (2) the classes of 0-*trace* and 0-*Poisson* operators introduced by Mazzeo–Vertman in [MV14] (cf. also [Usu22]).

We will also recall the *b-calculus* introduced by Melrose in [Mel93, MM83], although this class plays a minor role in what follows. We will freely make use of the language of compact manifolds with corners and *b*-maps, due to Melrose and presented in [Mel96]. Some concepts (such as boundary conormality, polyhomogeneity and the pull-back / Push-forward Theorems) which are particularly important for this work will be recalled in the Appendix.

2.1. 0-calculus, b-calculus, extended 0-calculus. Fix a compact manifold with boundary X^{n+1} . Denote by $\dot{C}^\infty(X)$ the Fréchet space of smooth functions on X vanishing to infinite order along the boundary. Call \mathcal{D}_X^1 the bundle of 1-densities on X , and denote by $C^{-\infty}(X)$ the topological dual of $\dot{C}^\infty(X; \mathcal{D}_X^1)$ equipped with the strong topology. We denote by $\text{Op}(X)$ the class of continuous linear operators $\dot{C}^\infty(X) \rightarrow C^{-\infty}(X)$. Its elements will be called *general interior operators* (as opposed to general *trace*, *Poisson* and *boundary* operators which we shall define later). By the Schwartz Kernel Theorem, we can identify these operators with their Schwartz kernels, which are distributional right densities X^2 i.e. elements $C^{-\infty}(X^2; \pi_R^* \mathcal{D}_X^1)$; here $\pi_L, \pi_R : X^2 \rightarrow X$ are the left and right projection. The 0-*calculus*, *b-calculus* and *extended 0-calculus* are all subclasses of $\text{Op}(X)$ characterized in terms of the lifts of their Schwartz kernels to appropriate blow-ups of X^2 .

Let's start with the 0-calculus. The double space X^2 is a compact manifold with corners, with two collective boundary hyperfaces, namely the *left face* $\mathbf{l}f = \partial X \times X$ and the *right face* $\mathbf{r}f = X \times \partial X$. We call Δ the diagonal of X^2 . The 0-*stretched double space* is the blow-up

$$X_0^2 = [X^2 : \partial\Delta].$$

This space has three boundary hyperfaces, which we call $\mathbf{l}f, \mathbf{r}f, \mathbf{ff}_0$: the left and right faces $\mathbf{l}f, \mathbf{r}f$ are simply the lifts of the left and right faces of X^2 , while the 0-front face \mathbf{ff}_0 is the new face obtained from the blow-up. We will use the symbols $r_{\mathbf{l}f}, r_{\mathbf{r}f}, r_{\mathbf{ff}_0}$ to denote boundary defining functions for the corresponding faces of X_0^2 (recall that a *boundary defining function* for a boundary hyperface H of a compact manifold with corners Y is a smooth non-negative function r_H on Y such that $r_H^{-1}(0) = H$ and dr_H is nonvanishing along H). As explained in detail in [Maz91, Maz86], the 0-front face \mathbf{ff}_0 is the total space of a smooth fiber bundle $\mathbf{ff}_0 \rightarrow \partial\Delta \equiv \partial X$, with typical fiber the closed quarter $n+1$ -dimensional sphere

$$S_2^{n+1} = \left\{ (\theta_0, \theta, \theta_{n+1}) \in \mathbb{R}^{n+2} : \theta_0^2 + |\theta|^2 + \theta_{n+1}^2 = 1, \theta_0 \geq 0, \theta_{n+1} \geq 0 \right\}.$$

We denote by $\beta_0 : X_0^2 \rightarrow X^2$ the blow-down map, and by $\beta_{0,L}, \beta_{0,R} : X_0^2 \rightarrow X$ the lifts of the left and right projections $\pi_L, \pi_R : X^2 \rightarrow X$. Another important submanifold of X_0^2 is the *lifted diagonal* Δ_0 , defined as the topological closure of $\beta_0^{-1}(\Delta \setminus \partial\Delta)$ in X_0^2 . Unlike Δ in X^2 , Δ_0 is an *interior p-submanifold* of X_0^2 (cf. §6 of [Mel96]), roughly meaning that Δ_0 admits a collar neighborhood inside X_0^2 .

Definition 2.1. (Small 0-calculus) Let $m \in \mathbb{R}$. We denote by $\Psi_0^m(X)$ the space of operators $A \in \text{Op}(X)$ whose Schwartz kernels K_A lift via β_0 to elements

$$\kappa_A \in \mathcal{A}_{\text{phg}}^{(\infty, \infty, 0)} I^m(X_0^2, \Delta_0; r_{\mathbf{ff}_0}^{-n-1} \beta_{0,R}^* \mathcal{D}_X^1).$$

This means that κ_A is a section of $r_{\mathbf{ff}_0}^{-n-1} \beta_{0,R}^* \mathcal{D}_X^1$ vanishing to infinite order at the faces $\mathbf{l}f, \mathbf{r}f$, smooth across \mathbf{ff}_0 , and with an interior conormal singularity of order m along Δ_0 .

Remark 2.2. We refer to §6 of [Mel96] for the notion of conormality along an interior *p*-submanifold. This notion is however not very important in this paper.

Definition 2.3. (Large residual 0-calculus) Let $\mathcal{E} = (\mathcal{E}_{\mathbf{l}f}, \mathcal{E}_{\mathbf{r}f}, \mathcal{E}_{\mathbf{ff}_0})$ be a triple of index sets. We denote by $\Psi_0^{-\infty, \mathcal{E}}(X)$ the space of operators $A \in \text{Op}(X)$ whose Schwartz kernels K_A lift via β_0 to elements

$$\kappa_A \in \mathcal{A}_{\text{phg}}^{\mathcal{E}}(X_0^2; r_{\mathbf{ff}_0}^{-n-1} \beta_{0,R}^* \mathcal{D}_X^1).$$

Remark 2.4. Some authors, for example [Hin23a, Lau03], prefer to work with operators acting on “half-0-densities”. By the Schwartz Kernel Theorem, these operators are naturally described as half-0-densities on X_0^2 , and this choice causes a discrepancy in the index set convention. Our index set convention is compatible with that of [Maz91].

To introduce the large residual b -calculus and extended 0-calculus, we need to introduce two more blow-ups, namely the b -stretched double space

$$X_b^2 = [X^2 : \mathbf{lf} \cap \mathbf{rf}]$$

and the $0b$ -stretched double space

$$X_{0b}^2 = [X_0^2 : \mathbf{lf} \cap \mathbf{rf}].$$

We denote by β_b (resp. β_{0b}) the blow-down maps to X^2 , and by $\beta_{b,L}, \beta_{b,R}$ (resp. $\beta_{0b,L}, \beta_{0b,R}$) the lifts of the canonical left and right projections $\pi_L, \pi_R : X^2 \rightarrow X$. Similarly to X_0^2 , X_b^2 has three boundary hyperfaces: the left and right faces \mathbf{lf}, \mathbf{rf} , obtained by lifting the left and right faces of X^2 , and the b -front face \mathbf{ff}_b created by the blow-up. The space X_{0b}^2 can be described equivalently either as the simple blow-up of X_0^2 at the corner $\mathbf{lf} \cap \mathbf{rf}$, or as the simple blow-up of X_b^2 at the locus $\beta_b^{-1}(\partial\Delta)$. As such, we obtain four boundary hyperfaces $\mathbf{lf}, \mathbf{rf}, \mathbf{ff}_b, \mathbf{ff}_0$, all lifted from either X_0^2 or X_b^2 indifferently via the partial blow-down maps $X_{0b}^2 \rightarrow X_0^2$ and $X_{0b}^2 \rightarrow X_b^2$. The 0-front face \mathbf{ff}_0 of X_{0b}^2 is again a smooth fiber bundle over $\partial\Delta \equiv \partial X$, with typical fiber the blow-up of the quarter $n+1$ -dimensional sphere S_2^{n+1} at its corner, i.e. the manifold

$$[S_2^{n+1} : \{\theta_0 = 0, \theta_{n+1} = 0\}].$$

Definition 2.5. (Large residual extended 0-calculus) Let $\mathcal{E} = (\mathcal{E}_{\mathbf{lf}}, \mathcal{E}_{\mathbf{rf}}, \mathcal{E}_{\mathbf{ff}_b}, \mathcal{E}_{\mathbf{ff}_0})$ be a quadruple of index sets. We define

$$\Psi_{0b}^{-\infty, \mathcal{E}}(X) = \mathcal{A}_{\text{phg}}^{\mathcal{E}}(X_{0b}^2; r_{\mathbf{ff}_0}^{-n-1} r_{\mathbf{ff}_b}^{-1} \beta_{0b,R}^* \mathcal{D}_X^1).$$

Definition 2.6. (Large residual b -calculus) Let $\mathcal{E} = (\mathcal{E}_{\mathbf{lf}}, \mathcal{E}_{\mathbf{rf}}, \mathcal{E}_{\mathbf{ff}_b})$ be a triple of index sets. We define

$$\Psi_b^{-\infty, \mathcal{E}}(X) = \mathcal{A}_{\text{phg}}^{\mathcal{E}}(X_b^2; r_{\mathbf{ff}_b}^{-1} \beta_{b,R}^* \mathcal{D}_X^1).$$

We also need a class of simpler operators, for which we do not need to blow X^2 up.

Definition 2.7. (Very residual operators) Given an index family $\mathcal{E} = (\mathcal{E}_{\mathbf{lf}}, \mathcal{E}_{\mathbf{rf}})$ for X^2 , we denote by $\Psi^{-\infty, \mathcal{E}}(X)$ the space $\mathcal{A}_{\text{phg}}^{\mathcal{E}}(X^2; \pi_R^* \mathcal{D}_X^1)$.

The following result summarizes various inclusions between the classes mentioned so far. These results are known from the sources cited above, and are anyway straightforward consequences of the Pull-back Theorem.

Lemma 2.8. *We have the following inclusions:*

$$\begin{aligned} \Psi^{-\infty, (\mathcal{E}_{\mathbf{lf}}, \mathcal{E}_{\mathbf{rf}})}(X) &\subseteq \Psi_0^{-\infty, (\mathcal{E}_{\mathbf{lf}}, \mathcal{E}_{\mathbf{rf}}, \mathcal{E}_{\mathbf{lf}+\mathcal{E}_{\mathbf{rf}}+n+1})}(X) \\ \Psi^{-\infty, (\mathcal{E}_{\mathbf{lf}}, \mathcal{E}_{\mathbf{rf}})}(X) &\subseteq \Psi_b^{-\infty, (\mathcal{E}_{\mathbf{lf}}, \mathcal{E}_{\mathbf{rf}}, \mathcal{E}_{\mathbf{lf}+\mathcal{E}_{\mathbf{rf}}+1})}(X) \\ \Psi_0^{-\infty, (\mathcal{E}_{\mathbf{lf}}, \mathcal{E}_{\mathbf{rf}}, \mathcal{E}_{\mathbf{ff}_0})}(X) &\subseteq \Psi_{0b}^{-\infty, (\mathcal{E}_{\mathbf{lf}}, \mathcal{E}_{\mathbf{rf}}, \mathcal{E}_{\mathbf{lf}+\mathcal{E}_{\mathbf{rf}}+1}, \mathcal{E}_{\mathbf{ff}_0})}(X) \\ \Psi_b^{-\infty, (\mathcal{E}_{\mathbf{lf}}, \mathcal{E}_{\mathbf{rf}}, \mathcal{E}_{\mathbf{ff}_b})}(X) &\subseteq \Psi_{0b}^{-\infty, (\mathcal{E}_{\mathbf{lf}}, \mathcal{E}_{\mathbf{rf}}, \mathcal{E}_{\mathbf{ff}_b}, \mathcal{E}_{\mathbf{ff}_b+n})}(X). \end{aligned}$$

2.2. 0-Poisson and 0-trace operators. Let’s now pass to 0-Poisson and 0-trace operators. Analogously to $\text{Op}(X)$, we denote by $\text{Op}(X, \partial X)$ the class of continuous linear maps $C^\infty(X) \rightarrow C^{-\infty}(\partial X)$, which we call *general trace operators*. By the Schwartz Kernel Theorem, these operators can be identified with elements of $C^{-\infty}(\partial X \times X; \pi_R^* \mathcal{D}_X^1)$. Similarly, we denote by $\text{Op}(\partial X, X)$ the class of continuous linear maps $C^\infty(\partial X) \rightarrow C^{-\infty}(X)$, which we call *general Poisson operators*. These operators are identified with right densities in $C^{-\infty}(X \times \partial X; \pi_R^* \mathcal{D}_{\partial X}^1)$.

As above, we now define appropriate blow-ups of the double spaces $\partial X \times X$ and $X \times \partial X$. Namely, we define

$$\begin{aligned} (\partial X \times X)_0 &= [\partial X \times X : \partial\Delta] \\ (X \times \partial X)_0 &= [X \times \partial X : \partial\Delta]. \end{aligned}$$

Observe that we have canonical identifications $(\partial X \times X)_0 \simeq \mathbf{lf}(X_0^2)$ and $(X \times \partial X)_0 \simeq \mathbf{rf}(X_0^2)$. These spaces have two boundary hyperfaces each: the *original face* \mathbf{of} is in both cases the lift of $\partial X \times \partial X$, or equivalently the intersection $\mathbf{lf}(X_0^2) \cap \mathbf{rf}(X_0^2)$; the *front face* \mathbf{ff} is the new face obtained from the blow-up, which for $(\partial X \times X)_0$ coincides with $\mathbf{lf}(X_0^2) \cap \mathbf{ff}_0(X_0^2)$ while for $(X \times \partial X)_0$ coincides with $\mathbf{rf}(X_0^2) \cap \mathbf{ff}_0(X_0^2)$. The front face $\mathbf{ff}((\partial X \times X)_0)$ (resp. $\mathbf{ff}((X \times \partial X)_0)$) is again the total space of a smooth fiber bundle $\mathbf{ff} \rightarrow \partial\Delta$, with typical fiber equal to the left (resp. right) face of the quarter sphere S_2^{n+1} ; of course, this face is canonically diffeomorphic to the n -dimensional closed unit ball. We denote by $\beta_{\text{tr}} : (\partial X \times X)_0 \rightarrow \partial X \times X$ and $\beta_{\text{P}} : (X \times \partial X)_0 \rightarrow X \times \partial X$ the blow-down maps, and we call $\beta_{\text{tr},L}, \beta_{\text{tr},R}$ and $\beta_{\text{P},L}, \beta_{\text{P},R}$ the lifted canonical projections.

Definition 2.9.

- (1) (0-trace operators) Given index sets $\mathcal{E} = (\mathcal{E}_{\text{of}}, \mathcal{E}_{\text{ff}})$, we define $\Psi_{0\text{tr}}^{-\infty, \mathcal{E}}(X, \partial X) = \mathcal{A}_{\text{phg}}^{(\mathcal{E}_{\text{of}}, \mathcal{E}_{\text{ff}})}((\partial X \times X)_0; r_{\mathbf{ff}}^{-n-1} \beta_{\text{tr},R}^* \mathcal{D}_X^1)$;
- (2) (0-Poisson operators) Given index sets $\mathcal{E} = (\mathcal{E}_{\text{of}}, \mathcal{E}_{\text{ff}})$, we define $\Psi_{0\text{P}}^{-\infty, \mathcal{E}}(\partial X, X) = \mathcal{A}_{\text{phg}}^{(\mathcal{E}_{\text{of}}, \mathcal{E}_{\text{ff}})}((X \times \partial X)_0; r_{\mathbf{ff}}^{-n} \beta_{\text{P},R}^* \mathcal{D}_{\partial X}^1)$.

As above, we also have classes of residual trace and Poisson operators for which we don't need to blow the double space up:

Definition 2.10.

- (1) (Residual trace operators) Given an index sets \mathcal{E} , we define $\Psi_{\text{tr}}^{-\infty, \mathcal{E}}(X, \partial X) = \mathcal{A}_{\text{phg}}^{\mathcal{E}}(\partial X \times X; \pi_R^* \mathcal{D}_X^1)$;
- (2) (Residual Poisson operators) Given an index set \mathcal{E} , we define $\Psi_{\text{P}}^{-\infty, \mathcal{E}}(\partial X, X) = \mathcal{A}_{\text{phg}}^{\mathcal{E}}(X \times \partial X; \pi_R^* \mathcal{D}_{\partial X}^1)$.

Again, the Pull-back Theorem easily implies the following

Lemma 2.11. *We have inclusions*

$$\begin{aligned} \Psi_{\text{tr}}^{-\infty, \mathcal{E}_{\text{of}}}(X, \partial X) &\subseteq \Psi_{0\text{tr}}^{-\infty, (\mathcal{E}_{\text{of}}, \mathcal{E}_{\text{of}} + n + 1)}(X, \partial X) \\ \Psi_{\text{P}}^{-\infty, \mathcal{E}_{\text{of}}}(\partial X, X) &\subseteq \Psi_{0\text{P}}^{-\infty, (\mathcal{E}_{\text{of}}, \mathcal{E}_{\text{of}} + n)}(\partial X, X). \end{aligned}$$

2.3. The local perspective. To get a firm grasp on the classes of operators defined above, we need to understand the local structure of their Schwartz kernels. This local perspective will be important later, when we will develop our alternative ‘‘symbolic’’ calculus.

2.3.1. 0-calculus, b-calculus and extended 0-calculus. Recall the following notations, compatible with those used in [Mel96]:

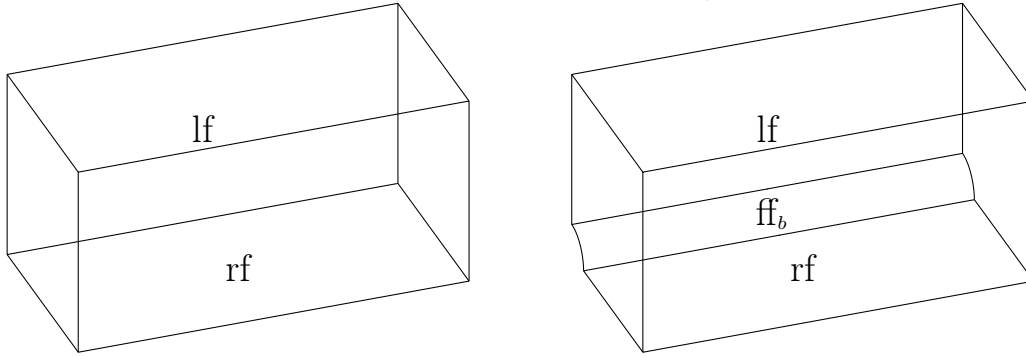
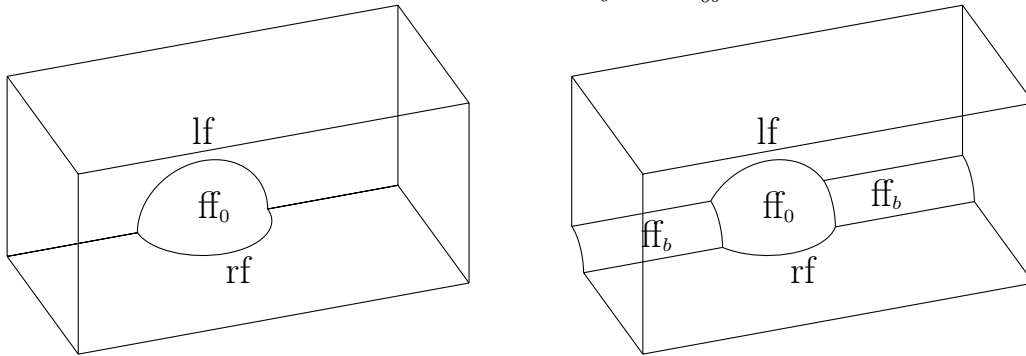
- (1) we denote by \mathbb{R}_k^n the model corner of dimension n and depth k , i.e. the product $[0, \infty)^k \times \mathbb{R}^{n-k}$;
- (2) we denote by $\overline{\mathbb{R}}^n$ the radial compactification of \mathbb{R}^n (cf. §1.9 of [MU08]);
- (3) we denote by $\overline{\mathbb{R}}_k^n$ the portion of $\overline{\mathbb{R}}^n$ defined by $x_1 \geq 0, \dots, x_k \geq 0$.

Remark 2.12. The space $\dot{C}^\infty(\overline{\mathbb{R}}^n)$ coincides with the space of Schwartz functions $\mathcal{S}(\mathbb{R}^n)$, and dually the space $C^{-\infty}(\overline{\mathbb{R}}^n)$ coincides with the space $\mathcal{S}'(\mathbb{R}^n)$ of tempered distributions.

Let $P \in \text{Op}(X)$ be a general interior operator. Given a point $p \in \partial X$ and coordinates (x, y) , the Schwartz kernel of P can be described in the induced coordinates $(x, y, \tilde{x}, \tilde{y})$ on X^2 near (p, p) as a right density of the form $P(x, y, \tilde{x}, \tilde{y}) d\tilde{x}d\tilde{y}$, where $P(x, y, \tilde{x}, \tilde{y})$ is a distribution defined in a neighborhood of the origin in $\mathbb{R}_1^{n+1} \times \mathbb{R}_1^{n+1}$. By performing the change of coordinates $Y = y - \tilde{y}$ and rearranging the variables, we can equivalently write the Schwartz kernel as $P(y; x, \tilde{x}, y - \tilde{y}) d\tilde{x}d\tilde{y}$, where now $P(y; x, \tilde{x}, Y)$ is a distribution defined in a neighborhood of the origin in $\mathbb{R}^n \times \mathbb{R}_1^1 \times \mathbb{R}_1^1 \times \mathbb{R}^n$.

We are interested in characterizing the elements of $\Psi_0^{-\infty, \bullet}(X), \Psi_{0b}^{-\infty, \bullet}(X)$, locally near points $(p, p) \in \partial\Delta$, in coordinates. In order to do that, we first define local versions of these classes in \mathbb{R}_1^{n+1} . Consider first the model space

$$M^2 = \overline{\mathbb{R}}_1^1 \times \overline{\mathbb{R}}_1^1 \times \overline{\mathbb{R}}^n$$

FIGURE 2.1. M^2 and M_b^2

 FIGURE 2.2. M_0^2 and M_{0b}^2


with coordinates x, \tilde{x}, Y . M^2 has five boundary hyperfaces, namely the *left* and *right faces*

$$\mathbf{lf} = \{x = 0\}, \mathbf{rf} = \{\tilde{x} = 0\}$$

and the *infinity faces*

$$\mathbf{if}_Y = \{|Y| = \infty\}, \mathbf{if}_x = \{x = \infty\}, \mathbf{if}_{\tilde{x}} = \{\tilde{x} = \infty\}.$$

We think of $\overline{\mathbb{R}}^n \times M^2$, with coordinates y, x, \tilde{x}, Y , as a compactified local model for X^2 near a point (p, p) of $\partial\Delta$. Now, consider the three blow-ups,

$$M_0^2 = [M^2 : \mathbf{lf} \cap \mathbf{rf} \cap \{Y = 0\}]$$

$$M_b^2 = [M^2 : \mathbf{lf} \cap \mathbf{rf}]$$

$$M_{0b}^2 = [M_0^2 : \mathbf{lf} \cap \mathbf{rf}].$$

These spaces inherit from M^2 the five boundary hyperfaces described above, as lifts of these faces to the blow-ups. Additionally, M_0^2 and M_b^2 have each an extra boundary hyperface, created from the blow-up. We call these faces \mathbf{ff}_0 in M_0^2 , and \mathbf{ff}_b in M_b^2 . We order the faces of M_0^2 as $\mathbf{lf}, \mathbf{rf}, \mathbf{ff}_0, \mathbf{if}_Y, \mathbf{if}_x, \mathbf{if}_{\tilde{x}}$, and the faces of M_b^2 as $\mathbf{lf}, \mathbf{rf}, \mathbf{ff}_b, \mathbf{if}_Y, \mathbf{if}_x, \mathbf{if}_{\tilde{x}}$. Finally, these faces lift to faces of M_{0b}^2 , and we order its seven faces as $\mathbf{lf}, \mathbf{rf}, \mathbf{ff}_b, \mathbf{ff}_0, \mathbf{if}_Y, \mathbf{if}_x, \mathbf{if}_{\tilde{x}}$. The spaces M^2, M_b^2 are represented in Figure 2.1, and the spaces M_0^2, M_{0b}^2 are represented in Figure 2.2 (the infinity faces are not indicated in order to not weigh down the pictures). Of course, the spaces $\overline{\mathbb{R}}^n \times M_0^2, \overline{\mathbb{R}}^n \times M_b^2$ and $\overline{\mathbb{R}}^n \times M_{0b}^2$ should be considered as compactified local models for X_0^2, X_b^2 and X_{0b}^2 , in a neighborhood of the lift of (p, p) .

Denote by $\text{Op}(\mathbb{R}_1^{n+1})$ the space of continuous linear operators $\dot{C}^\infty(\overline{\mathbb{R}}_1^1 \times \overline{\mathbb{R}}^n) \rightarrow C^{-\infty}(\overline{\mathbb{R}}_1^1 \times \overline{\mathbb{R}}^n)$. An extendible distribution $K(y; x, \tilde{x}, Y)$ on $\overline{\mathbb{R}}^n \times M^2$ determines an element of $\text{Op}(\mathbb{R}_1^{n+1})$, with Schwartz kernel $K(y; x, \tilde{x}, y - \tilde{y}) d\tilde{x}d\tilde{y}$. The local version of the (large, residual) 0-calculus is then the following:

Definition 2.13. (Local 0-calculus) We denote by $\Psi_{0,\mathcal{S}}^{-\infty,\mathcal{E}}(\mathbb{R}_1^{n+1})$ the subspace of $\text{Op}(\mathbb{R}_1^{n+1})$ consisting of operators of the form $K(y; x, \tilde{x}, y - \tilde{y}) d\tilde{x}d\tilde{y}$, with $K(y; x, \tilde{x}, Y) \in \mathcal{S}(\mathbb{R}^n) \hat{\otimes} \mathcal{A}_{\text{phg}}^{(\mathcal{E}_{\text{lf}}, \mathcal{E}_{\text{rf}}, \mathcal{E}_{\text{fb}} - n - 1, \infty, \infty, \infty)}(M_0^2)$.⁶

In the previous definition, the subscript \mathcal{S} stands for ‘‘Schwartz’’ and refers to the fact that $K(y; x, \tilde{x}, Y)$ vanishes to infinite order as $|y| \rightarrow \infty$. We similarly define

Definition 2.14. (Local extended 0-calculus) We define $\Psi_{0b,\mathcal{S}}^{-\infty,\mathcal{E}}(\mathbb{R}_1^{n+1})$ as the subclass of $\text{Op}(\mathbb{R}_1^{n+1})$ consisting of right densities $K(y; x, \tilde{x}, y - \tilde{y}) d\tilde{x}d\tilde{y}$ with $K(y; x, \tilde{x}, Y)$ lifting to an element of $\mathcal{S}(\mathbb{R}^n) \hat{\otimes} \mathcal{A}_{\text{phg}}^{(\mathcal{E}_{\text{lf}}, \mathcal{E}_{\text{rf}}, \mathcal{E}_{\text{fb}} - 1, \mathcal{E}_{\text{fb}} - n - 1, \infty, \infty, \infty)}(M_{0b}^2)$.

The following two lemmas are then easy consequences of the definitions:

Lemma 2.15. (Local characterization of the 0-calculus) Let $\mathcal{E} = (\mathcal{E}_{\text{lf}}, \mathcal{E}_{\text{rf}}, \mathcal{E}_{\text{fb}})$ be a triple of index sets. If $P \in \Psi_0^{-\infty,\mathcal{E}}(X)$, then:

- (1) for every open neighborhood U of $\partial\Delta$ in X^2 , the restriction of the Schwartz kernel K_P to $X^2 \setminus U$ coincides with the Schwartz kernel of a very residual operator in $\Psi^{-\infty,(\mathcal{E}_{\text{lf}}, \mathcal{E}_{\text{rf}})}(X)$;
- (2) for every point $p \in \partial X$ and every choice of coordinates (x, y) for X centered at p , there is an operator $K(y; x, \tilde{x}, y - \tilde{y}) d\tilde{x}d\tilde{y} \in \Psi_{0,\mathcal{S}}^{-\infty,\mathcal{E}}(\mathbb{R}_1^{n+1})$ such that, in the chosen coordinates, we have

$$K_P \equiv K(y; x, \tilde{x}, y - \tilde{y}) d\tilde{x}d\tilde{y}$$

in a neighborhood of the origin.

Conversely, if an operator $P : \dot{C}^\infty(X) \rightarrow C^{-\infty}(X)$ satisfies Point 1, and for every $p \in \partial X$ there exist coordinates (x, y) centered at p such that the condition in Point 2 is satisfied, then $P \in \Psi_0^{-\infty,\mathcal{E}}(X)$.

Lemma 2.16. (Local characterization of the extended 0-calculus) Let $\mathcal{E} = (\mathcal{E}_{\text{lf}}, \mathcal{E}_{\text{rf}}, \mathcal{E}_{\text{fb}}, \mathcal{E}_{\text{fb}})$ be a quadruple of index sets. If $P \in \Psi_{0b}^{-\infty,\mathcal{E}}(X)$, then:

- (1) for every open neighborhood U of $\partial\Delta$ in X^2 , the restriction of the Schwartz kernel K_P to $X^2 \setminus U$ coincides with the Schwartz kernel of an operator in $\Psi_b^{-\infty,(\mathcal{E}_{\text{lf}}, \mathcal{E}_{\text{rf}}, \mathcal{E}_{\text{fb}})}(X)$;
- (2) for every point $p \in \partial X$ and every choice of coordinates (x, y) for X centered at p , there exists an operator $K(y; x, \tilde{x}, y - \tilde{y}) d\tilde{x}d\tilde{y} \in \Psi_{0b,\mathcal{S}}^{-\infty,\mathcal{E}}(\mathbb{R}_1^{n+1})$ such that in the chosen coordinates we have

$$K_P \equiv K(y; x, \tilde{x}, y - \tilde{y}) d\tilde{x}d\tilde{y}$$

near the origin.

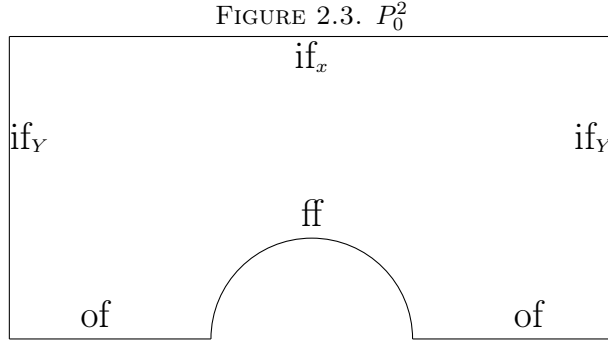
Conversely, if an operator $P : \dot{C}^\infty(X) \rightarrow C^{-\infty}(X)$ satisfies Point 1, and for every $p \in \partial X$ there exist coordinates (x, y) for X centered at p such that the condition in Point 2 is satisfied, then $P \in \Psi_{0b}^{-\infty,\mathcal{E}}(X)$.

For completeness, we also formulate the local versions of the classes of very residual operators and the b -calculus:

Definition 2.17. (Local b -calculus and very residual operators) We define $\Psi_{\mathcal{S}}^{-\infty,(\mathcal{E}_{\text{lf}}, \mathcal{E}_{\text{rf}})}(\mathbb{R}_1^{n+1})$ (resp. $\Psi_{b,\mathcal{S}}^{-\infty,(\mathcal{E}_{\text{lf}}, \mathcal{E}_{\text{rf}}, \mathcal{E}_{\text{fb}})}(\mathbb{R}_1^{n+1})$) as the space of operators $K(y; x, \tilde{x}, y - \tilde{y}) d\tilde{x}d\tilde{y}$, with $K(y; x, \tilde{x}, Y) \in \mathcal{S}(\mathbb{R}^n) \hat{\otimes} \mathcal{A}_{\text{phg}}^{(\mathcal{E}_{\text{lf}}, \mathcal{E}_{\text{rf}}, \infty, \infty, \infty)}(M^2)$ (resp. $K(y; x, \tilde{x}, Y) \in \mathcal{S}(\mathbb{R}^n) \hat{\otimes} \mathcal{A}_{\text{phg}}^{(\mathcal{E}_{\text{lf}}, \mathcal{E}_{\text{rf}}, \mathcal{E}_{\text{fb}} - 1, \infty, \infty, \infty)}(M_b^2)$).

It is easy to see that if $P \in \Psi^{-\infty,\mathcal{E}}(X)$ (resp. $P \in \Psi_b^{-\infty,\mathcal{E}}(X)$), then for every $p \in \partial X$ and some (hence every) choice of coordinates x, y for X centered at p , there is an operator $K(y; x, \tilde{x}, y - \tilde{y}) d\tilde{x}d\tilde{y}$ in $\Psi_{\mathcal{S}}^{-\infty,\mathcal{E}}(\mathbb{R}_1^{n+1})$ (resp. $\Psi_{b,\mathcal{S}}^{-\infty,\mathcal{E}}(\mathbb{R}_1^{n+1})$) such that in the chosen coordinates we have $K_P \equiv K(y; x, \tilde{x}, y - \tilde{y}) d\tilde{x}d\tilde{y}$ near the origin.

⁶The symbol $\hat{\otimes}$ indicates the completed projective tensor product of Fréchet spaces; the properties of $\hat{\otimes}$ which are important for us are summarized in the Appendix. We refer to [Trè67] for details.



2.3.2. *0-trace and 0-Poisson operators.* We get similar local characterizations for 0-Poisson and 0-trace operators. Define

$$P^2 = \overline{\mathbb{R}}_1^1 \times \overline{\mathbb{R}}^n$$

with coordinates x, Y , which we identify with the right face of the model space M^2 introduced previously. We introduce the blow-up

$$P_0^2 = [P^2 : \{x = 0, Y = 0\}],$$

which we can canonically identify with the right face of M_0^2 . P_0^2 has again four boundary hyperfaces, namely **of** obtained as the lift of $x = 0$, **ff** obtained from the blow-up, **if_Y** obtained as the lift of $|Y| = \infty$, and **if_x** = $\{x = \infty\}$. The space P_0^2 is represented in Figure 2.3. For every point $p \in \partial X$, a choice of coordinates (x, y) for X centered at p determines a local diffeomorphism between a neighborhood of (p, p) in $X \times \partial X$ and a neighborhood of the origin in $\overline{\mathbb{R}}^n \times P^2$: this diffeomorphism lifts to a neighborhood of the fiber **ff_p** in $(X \times \partial X)_0$, and a neighborhood of $\{0\} \times \mathbf{ff}$ in $\overline{\mathbb{R}}^n \times P_0^2$.

Similarly, define

$$T^2 = \overline{\mathbb{R}}_1^1 \times \overline{\mathbb{R}}^n$$

with coordinates \tilde{x}, Y , which we identify with the left face of M^2 . We introduce the blow-up

$$T_0^2 = [T^2 : \{\tilde{x} = 0, Y = 0\}],$$

which we can canonically identify with the left face of M_0^2 . Again T_0^2 is canonically diffeomorphic to P_0^2 , and we call its faces **of**, **ff**, **if_Y**, **if _{\tilde{x}}** .

Denote by $\text{Op}(\mathbb{R}^n, \mathbb{R}_1^{n+1})$ the class of operators $\mathcal{S}(\mathbb{R}^n) \rightarrow C^{-\infty}(\overline{\mathbb{R}}_1^1 \times \overline{\mathbb{R}}^n)$, and by $\text{Op}(\mathbb{R}_1^{n+1}, \mathbb{R}^n)$ the class of operators $\dot{C}^\infty(\overline{\mathbb{R}}_1^1 \times \overline{\mathbb{R}}^n) \rightarrow \mathcal{S}'(\mathbb{R}^n)$.

Definition 2.18. (Local 0-trace operators) We denote by $\Psi_{0\text{tr}, \mathcal{S}}^{-\infty, \mathcal{E}}(\mathbb{R}^n, \mathbb{R}_1^{n+1}, \mathbb{R}^n)$ the subclass of $\text{Op}(\mathbb{R}_1^{n+1}, \mathbb{R}^n)$ consisting of right densities $K(y; \tilde{x}, y - \tilde{y}) d\tilde{x}d\tilde{y}$ with $K(y; \tilde{x}, Y)$ lifting to $\mathcal{S}(\mathbb{R}^n) \hat{\otimes} \mathcal{A}_{\text{phg}}^{(\mathcal{E}_{\text{of}}, \mathcal{E}_{\mathbf{ff}^{-n-1, \infty, \infty}})}(T_0^2)$.

Definition 2.19. (Local 0-Poisson operators) We denote by $\Psi_{0\text{P}, \mathcal{S}}^{-\infty, \mathcal{E}}(\mathbb{R}^n, \mathbb{R}_1^{n+1})$ the subclass of $\text{Op}(\mathbb{R}^n, \mathbb{R}_1^{n+1})$ consisting of right densities $K(y; x, y - \tilde{y}) d\tilde{y}$, with $K(y; x, Y)$ lifting to $\mathcal{S}(\mathbb{R}^n) \hat{\otimes} \mathcal{A}_{\text{phg}}^{(\mathcal{E}_{\text{of}}, \mathcal{E}_{\mathbf{ff}^{-n, \infty, \infty}})}(P_0^2)$.

Analogously to the interior cases, the definitions imply easily the following characterizations:

Lemma 2.20. (Local characterization of 0-trace operators) Let $\mathcal{E} = (\mathcal{E}_{\text{of}}, \mathcal{E}_{\mathbf{ff}})$ be a pair of index sets. If $A \in \Psi_{0\text{tr}}^{-\infty, \mathcal{E}}(X, \partial X)$, then:

- (1) for every open neighborhood U of $\partial\Delta$ in $X \times \partial X$, the restriction of the Schwartz kernel K_A to $(\partial X \times X) \setminus U$ coincides with the Schwartz kernel of a residual trace operator in $\Psi_{\text{tr}}^{-\infty, \mathcal{E}_{\text{of}}}(X, \partial X)$;
- (2) for every point $p \in \partial X$ and every choice of coordinates (x, y) for X centered at p , there is an operator $K(y; \tilde{x}, y - \tilde{y}) d\tilde{x}d\tilde{y} \in \Psi_{0\text{tr}, \mathcal{S}}^{-\infty, \mathcal{E}}(\mathbb{R}_1^{n+1}, \mathbb{R}^n)$ such that in the chosen coordinates we have

$$K_A \equiv K(y; \tilde{x}, y - \tilde{y}) d\tilde{x}d\tilde{y}$$

in a neighborhood of the origin.

Conversely, if an operator $A : \dot{C}^\infty(X) \rightarrow C^{-\infty}(\partial X)$ satisfies Point 1, and for every $p \in \partial X$ there exist coordinates (x, y) centered at p such that the condition in Point 2 is satisfied, then $A \in \Psi_{0\text{tr}}^{-\infty, \mathcal{E}}(X, \partial X)$.

Lemma 2.21. (Local characterization of 0-Poisson operators) Let $\mathcal{E} = (\mathcal{E}_{\text{of}}, \mathcal{E}_{\text{ff}})$ be a pair of index sets. If $B \in \Psi_{0\text{P}}^{-\infty, \mathcal{E}}(\partial X, X)$, then:

- (1) for every open neighborhood U of $\partial\Delta$ in $X \times \partial X$, the restriction of the Schwartz kernel K_B to $(X \times \partial X) \setminus U$ coincides with the Schwartz kernel of a residual Poisson operator in $\Psi_{\text{P}}^{-\infty, \mathcal{E}_{\text{of}}}(\partial X, X)$;
- (2) for every point $p \in \partial X$ and every choice of coordinates (x, y) for X centered at p , there is an operator $K(y; x, y - \tilde{y}) d\tilde{y} \in \Psi_{0\text{P}, \mathcal{S}}^{-\infty, \mathcal{E}}(\mathbb{R}^n, \mathbb{R}_1^{n+1})$ such that in the chosen coordinates we have

$$K_B \equiv K(y; x, y - \tilde{y}) d\tilde{y}$$

in a neighborhood of the origin.

Conversely, if an operator $B : C^\infty(\partial X) \rightarrow C^{-\infty}(X)$ satisfies Point 1, and for every $p \in \partial X$ there exist coordinates (x, y) centered at p such that the condition in Point 2 is satisfied, then $B \in \Psi_{0\text{P}}^{-\infty, \mathcal{E}}(\partial X, X)$.

Finally, we formulate the local versions of the classes of residual Poisson and trace operators for completeness.

Definition 2.22. (Local residual trace and Poisson operators) We define $\Psi_{\text{P}, \mathcal{S}}^{-\infty, \mathcal{E}_{\text{of}}}(\mathbb{R}^n, \mathbb{R}_1^{n+1})$ (resp. $\Psi_{\text{tr}, \mathcal{S}}^{-\infty, \mathcal{E}_{\text{of}}}(\mathbb{R}_1^{n+1}, \mathbb{R}^n)$) as the space of operators represented by right densities $K(y; x, y - \tilde{y}) d\tilde{y}$ (resp. $K(y; \tilde{x}, y - \tilde{y}) d\tilde{x}d\tilde{y}$) with $K(y; x, Y) \in \mathcal{S}(\mathbb{R}^n) \hat{\otimes} \mathcal{A}_{\text{phg}}^{(\mathcal{E}_{\text{of}}, \infty, \infty)}(P^2)$ (resp. $K(y; \tilde{x}, Y) \in \mathcal{S}(\mathbb{R}^n) \hat{\otimes} \mathcal{A}_{\text{phg}}^{(\mathcal{E}_{\text{of}}, \infty, \infty)}(T^2)$).

Again, it is easy to formulate a local characterization for elements of $\Psi_{\text{tr}}^{-\infty, \mathcal{E}}(X, \partial X)$ and $\Psi_{\text{P}}^{-\infty, \mathcal{E}}(\partial X, X)$ in terms of their local counterparts, along the lines of the characterizations given above.

2.4. Model families. Every operator in the classes $\Psi_0^{-\infty, \bullet}(X)$, $\Psi_{0b}^{-\infty, \bullet}(X)$, $\Psi_{0\text{tr}}^{-\infty, \bullet}(X, \partial X)$, $\Psi_{0\text{P}}^{-\infty, \bullet}(\partial X, X)$ comes equipped with a family of model operators, smoothly parametrized by a point in ∂X . This family is called the *normal family* of the operator: it is essentially the leading term in the asymptotic expansion of the lifted Schwartz kernel at the front face. Using the Fourier transform, the normal family can be conveniently re-packaged as a family of model operators on a simpler model space, smoothly parametrized by a nonzero covector in ∂X . This family will be called the *Bessel family* in accordance with [Maz91] (other sources such as [Hin23a] refer to it as the *transformed normal operator*). We will now recall their definitions.

Given an index set \mathcal{I} , we will denote by $[\mathcal{I}]$ the space of pairs $(\alpha, l) \in \mathcal{I}$ with $\inf \Re(\mathcal{I}) \leq \Re(\alpha) < \inf \Re(\mathcal{I}) + 1$. For simplicity, we will restrict ourselves to operators whose index set \mathcal{I} at the front face satisfies $[\mathcal{I}] = 0$.

2.4.1. The normal family. The invariant definitions are straightforward:

Definition 2.23. (Normal family in the 0-calculus and extended 0-calculus) Let $\mathcal{E} = (\mathcal{E}_{\text{lf}}, \mathcal{E}_{\text{rf}}, \mathcal{E}_{\text{fb}}, \mathcal{E}_{\text{ff}_0})$, and let $\mathcal{E}' = (\mathcal{E}_{\text{lf}}, \mathcal{E}_{\text{rf}}, \mathcal{E}_{\text{ff}_0})$. Assume that $[\mathcal{E}_{\text{ff}_0}] = 0$. Given $P \in \Psi_{0b}^{-\infty, \mathcal{E}}(X)$ (resp. $P \in \Psi_0^{-\infty, \mathcal{E}'}(X)$), its *normal family* is the restriction

$$N(P) = \kappa_P|_{\text{ff}_0},$$

where κ_P is the lift of the Schwartz kernel K_P of P from X^2 to X_0^2 (resp. X_{0b}^2). Given $p \in \partial X$, the *normal operator* of P at p is the restriction of κ_P to the fiber $\text{ff}_{0|(p,p)}$.

Definition 2.24. (Normal family for 0-trace and 0-Poisson operators) Let $\mathcal{E} = (\mathcal{E}_{\text{of}}, \mathcal{E}_{\text{ff}})$, and assume that $[\mathcal{E}_{\text{ff}}] = 0$. Given $P \in \Psi_{0\text{tr}}^{-\infty, \mathcal{E}}(X, \partial X)$ (resp. $P \in \Psi_{0\text{P}}^{-\infty, \mathcal{E}}(\partial X, X)$), its *normal family* is the restriction

$$N(P) = \kappa_A|_{\text{ff}}$$

where κ_P is the lift of the Schwartz kernel K_P of P from $\partial X \times X$ (resp. $X \times \partial X$) to $(\partial X \times X)_0$ (resp. $(X \times \partial X)_0$). Given $p \in \partial X$, the *normal operator* of P at p is the restriction of κ_P to the fiber $\mathbf{ff}_{|(p,p)}$.

These definitions are manifestly invariant; however, they do not help recognizing $N_p(P)$ as an operator. In order to explain this interpretation, we resort to the local characterizations given above. We refer to [Maz86, Maz91, MV14, Usu22] for more details.

For every point $p \in \partial X$, denote by X_p the inward-pointing closed half of $T_p X$. A choice of coordinates (x, y) for X centered at p determines global linear coordinates on X_p , which we denote by (x, y) again with slight abuse of notation, and which identify X_p with the closed half-space \mathbb{R}_1^{n+1} . Define polar coordinates around $x = \tilde{x} = 0, y = \tilde{y}$, namely

$$r = \sqrt{x^2 + \tilde{x}^2 + |y - \tilde{y}|^2}$$

$$\theta_0 = \frac{x}{r}, \theta = \frac{y - \tilde{y}}{r}, \theta_{n+1} = \frac{\tilde{x}}{r}.$$

These coordinates parametrize X_0^2 near $\mathbf{ff}_{0|(p,p)}$; in particular, they determine a diffeomorphism between a neighborhood of $\mathbf{ff}_{0|(p,p)}$ in X_0^2 and a neighborhood of the locus $r = 0$ in the local model $\mathbb{R}^n \times \mathbb{R}_1^1 \times S_2^{n+1}$ with coordinates $y, r, \theta_0, \theta, \theta_{n+1}$. Here, as above,

$$S_2^{n+1} = \left\{ (\theta_0, \theta, \theta_{n+1}) \in \mathbb{R}^{n+2} : \theta_0^2 + |\theta|^2 + \theta_{n+1}^2 = 1, \theta_0 \geq 0, \theta_{n+1} \geq 0 \right\}.$$

In these coordinates, $\mathbf{ff}_{0|(p,p)}$ corresponds to the locus $\{y = 0, r = 0\}$ and is therefore identified with S_2^{n+1} and parametrized by the coordinates $(\theta_0, \theta, \theta_{n+1})$. The left face is instead defined by the equation $\theta_0 = 0$, while the right face is defined by the equation $\theta_{n+1} = 0$.

If $P \in \Psi_0^{-\infty, \mathcal{E}}(X)$, we can write its Schwartz kernel in coordinates near (p, p) as $K(y; x, \tilde{x}, y - \tilde{y}) d\tilde{x}d\tilde{y}$, and by definition of $\Psi_0^{-\infty, \mathcal{E}}(X)$ we can find a polyhomogeneous function $K'(y; r, \theta_0, \theta, \theta_{n+1})$ on $\mathbb{R}^n \times \mathbb{R}_1^1 \times S_2^{n+1}$ such that

$$K(y; x, \tilde{x}, y - \tilde{y}) d\tilde{x}d\tilde{y} \equiv K' \left(y; r, \frac{x}{r}, \frac{y - \tilde{y}}{r}, \frac{\tilde{x}}{r} \right) \frac{d\tilde{x}d\tilde{y}}{\tilde{x}^{n+1}}$$

near the origin. More precisely, since the singular factor \tilde{x}^{-n-1} has index set $-n-1$ both at the right face and at the front face, the function $K'(y; r, \theta_0, \theta, \theta_{n+1})$ is polyhomogeneous on $\mathbb{R}^n \times \mathbb{R}_1^1 \times S_2^{n+1}$ with index sets:

- (1) $\mathcal{E}_{\mathbf{lf}}$ at $\{\theta_0 = 0\}$;
- (2) $\mathcal{E}_{\mathbf{rf}} + n + 1$ at $\{\theta_{n+1} = 0\}$;
- (3) $\mathcal{E}_{\mathbf{ff}_0}$ at $\{r = 0\}$.

In particular, from $[\mathcal{E}_{\mathbf{ff}_0}] = 0$, we know that the evaluation $K'_0(\theta_0, \theta, \theta_{n+1}) := K'(0; 0, \theta_0, \theta, \theta_{n+1})$ at $y = 0$ and $r = 0$ is well defined and in $\mathcal{A}_{\text{phg}}^{(\mathcal{E}_{\mathbf{lf}}, \mathcal{E}_{\mathbf{rf}} + n + 1)}(S_2^{n+1})$. The function $K'_0(\theta_0, \theta, \theta_{n+1})$ is precisely the expression in the coordinates $(\theta_0, \theta, \theta_{n+1})$ of the restriction of κ_P to $\mathbf{ff}_{0|(p,p)}$ (i.e. $N_p(P)$) with the singular density factor removed. We interpret $N_p(P)$ as an operator on functions over \mathbb{R}_1^{n+1} , as follows:

$$N_p(P) = K'_0 \left(\frac{x}{r}, \frac{y - \tilde{y}}{r}, \frac{\tilde{x}}{r} \right) \frac{d\tilde{x}d\tilde{y}}{\tilde{x}^{n+1}}.$$

It is proved in [Maz86] that this definition does not depend on the choice of coordinates, and determines an operator on functions over X_p , invariant under positive dilations and translations by vectors in $T_p \partial X$.

Instead of using polar coordinates, it is convenient to introduce “left” projective coordinates

$$s = \frac{x}{\tilde{x}}, u = \frac{y - \tilde{y}}{\tilde{x}}$$

for X_0^2 defined near (p, p) and away from the right face. These coordinates restrict to coordinates on $\mathbf{ff}_{0|(p,p)}$ away from the intersection $\mathbf{ff}_{0|(p,p)} \cap \mathbf{rf}$. More precisely, we have on $\mathbf{ff}_{0|(p,p)} \cap \mathbf{rf}$

$$s = \frac{\theta_0}{\theta_{n+1}}, u = \frac{\theta}{\theta_{n+1}}.$$

This change of coordinates extends to a diffeomorphism

$$\begin{aligned} S_2^{n+1} &\rightarrow \overline{\mathbb{R}}_1^{n+1} \\ (\theta_0, \theta, \theta_{n+1}) &\mapsto \left(\frac{\theta_0}{\theta_{n+1}}, \frac{\theta}{\theta_{n+1}} \right), \end{aligned}$$

where $\overline{\mathbb{R}}_1^{n+1}$ is the radial compactification of the half-space \mathbb{R}_1^{n+1} . Thus, the coordinates (s, u) parametrize $\mathbf{ff}_{0|(p,p)}$ as the radial compactification $\overline{\mathbb{R}}_1^{n+1}$. It follows that we can write

$$N_p(P) = K_0'' \left(\frac{x}{\tilde{x}}, \frac{y - \tilde{y}}{\tilde{x}} \right) \frac{d\tilde{x}d\tilde{y}}{\tilde{x}^{n+1}},$$

where $K_0''(s, u) \in \mathcal{A}_{\text{phg}}^{(\mathcal{E}_{\text{lf}}, \mathcal{E}_{\text{rf}} + n + 1)}(\overline{\mathbb{R}}_1^{n+1})$.

If $P \in \Psi_{0b}^{-\infty, (\mathcal{E}_{\text{lf}}, \mathcal{E}_{\text{rf}}, \mathcal{E}_{\text{fb}}, \mathcal{E}_{\text{f}_0})}(X)$, the construction is exactly as above, except that the function $K_0'(\theta_0, \theta, \theta_{n+1})$ is polyhomogeneous on S_2^{n+1} blown up at the corner, and correspondingly $K_0''(s, u)$ is polyhomogeneous on $\overline{\mathbb{R}}_1^1 \times \overline{\mathbb{R}}^n$. The index sets are \mathcal{E}_{lf} at $\{s = 0\}$, $\mathcal{E}_{\text{rf}} + n + 1$ at $\{s = \infty\}$, and $\mathcal{E}_{\text{fb}} + n$ at $\{|u| = \infty\}$.

In the 0-trace and 0-Poisson cases, the definitions are similar. Given $A \in \Psi_{0\text{tr}}^{-\infty, \mathcal{E}}(X, \partial X)$ with $[\mathcal{E}_{\text{ff}}] = 0$, choose a point $p \in \partial X$ and coordinates (x, y) for X centered at p . Using polar coordinates, we can write the Schwartz kernel of A near (p, p) as

$$K(y; \tilde{x}, y - \tilde{y}) d\tilde{x}d\tilde{y} = K' \left(y; r, \frac{y - \tilde{y}}{r}, \frac{\tilde{x}}{r} \right) \frac{d\tilde{x}d\tilde{y}}{\tilde{x}^{n+1}}$$

for some function $K'(y; r, \theta, \theta_{n+1})$ polyhomogeneous on $\mathbb{R}^n \times \mathbb{R}_1^1 \times \{S_2^{n+1} \cap \{\theta_0 = 0\}\}$ with index sets \mathcal{E}_{ff} at $\{r = 0\}$ and $\mathcal{E}_{\text{of}} + n + 1$ at $\{\theta_{n+1} = 0\}$. Of course, the intersection $S_2^{n+1} \cap \{\theta_0 = 0\}$ can be canonically identified with the unit ball D^n parametrized by θ , since if $(\theta_0, \theta, \theta_{n+1}) \in S_2^{n+1}$ then $\theta_0 = 0$ is equivalent to $\theta_{n+1} = \sqrt{1 - |\theta|^2}$. Since $\text{lead}(\mathcal{E}_{\text{ff}}) = 0$, the restriction $K_0'(\theta) := K' \left(0; 0, \theta, \sqrt{1 - |\theta|^2} \right)$ is a well-defined polyhomogeneous function in $\mathcal{A}_{\text{phg}}^{\mathcal{E}_{\text{of}} + n + 1}(D^n)$. Again, the projective coordinate

$$u = \frac{y - \tilde{y}}{\tilde{x}} = \frac{\theta}{\theta_{n+1}} = \frac{\theta}{\sqrt{1 - |\theta|^2}}$$

allows us to identify D^n with the radial compactification $\overline{\mathbb{R}}^{n+1}$, and we can write

$$\begin{aligned} N_p(A) &= K' \left(0; 0, \frac{y - \tilde{y}}{r}, \frac{\tilde{x}}{r} \right) \frac{d\tilde{x}d\tilde{y}}{\tilde{x}^{n+1}} \\ &= K_0' \left(\frac{y - \tilde{y}}{r} \right) \frac{d\tilde{x}d\tilde{y}}{\tilde{x}^{n+1}} \\ &= K_0'' \left(\frac{y - \tilde{y}}{\tilde{x}} \right) \frac{d\tilde{x}d\tilde{y}}{\tilde{x}^{n+1}} \end{aligned}$$

with $K_0''(u) \in \mathcal{A}_{\text{phg}}^{\mathcal{E}_{\text{of}} + n + 1}(\overline{\mathbb{R}}^n)$. This allows us to interpret $N_p(A)$ as a translation and dilation invariant operator from functions on X_p to functions on $\partial X_p = T_p \partial X$.

Similarly, given $B \in \Psi_{0\text{P}}^{-\infty, \mathcal{E}}(\partial X, X)$ with $[\mathcal{E}_{\text{ff}}] = 0$, choose a point $p \in \partial X$ and coordinates (x, y) for X centered at p . Write again the Schwartz kernel of B near (p, p) in polar coordinates as

$$K(y; x, y - \tilde{y}) = K' \left(y; r, \frac{x}{r}, \frac{y - \tilde{y}}{r} \right) x^{-n} d\tilde{y},$$

where $K'(y; r, \theta_0, \theta)$ is polyhomogeneous on $\mathbb{R}^n \times \mathbb{R}_1^1 \times \{S_2^{n+1} \cap \{\theta_{n+1} = 0\}\}$ with index sets \mathcal{E}_{ff} at $\{r = 0\}$ and $\mathcal{E}_{\text{of}} + n$ at $\{\theta_0 = 0\}$. Since $[\mathcal{E}_{\text{ff}}] = 0$ we have a well-defined restriction $K_0'(\theta) := K' \left(0; 0, \sqrt{1 - |\theta|^2}, \theta \right) \in \mathcal{A}_{\text{phg}}^{\mathcal{E}_{\text{of}} + n}(D^n)$; introducing ‘‘right’’ projective coordinates

$$v = \frac{y - \tilde{y}}{x},$$

we get a diffeomorphism $D^n \rightarrow \overline{\mathbb{R}}^n$ given by $\theta \mapsto \frac{\theta}{\sqrt{1-|\theta|^2}}$, and we have

$$\begin{aligned} N_p(B) &= K' \left(0; 0, \frac{x}{r}, \frac{y-\tilde{y}}{r} \right) \frac{d\tilde{y}}{x^n} \\ &= K'_0 \left(\frac{y-\tilde{y}}{r} \right) \frac{d\tilde{y}}{x^n} \\ &= K''_0 \left(\frac{y-\tilde{y}}{x} \right) \frac{d\tilde{y}}{x^n}. \end{aligned}$$

This allows us to interpret $N_p(B)$ as a dilation and translation invariant operator from functions on $\partial X_p = T_p \partial X$ to functions on X_p .

2.4.2. The Bessel family. The Bessel family of an operator in any of the classes $\Psi_0^{-\infty, \bullet}(X)$, $\Psi_{0b}^{-\infty, \bullet}(X)$, $\Psi_{0\text{tr}}^{-\infty, \bullet}(X, \partial X)$, $\Psi_{0\text{P}}^{-\infty, \bullet}(\partial X, X)$, is a convenient equivalent way to express the normal family we just described. Unlike the normal family, the Bessel family is not completely invariant; rather, it depends on the auxiliary choice of a vector field V on X defined along ∂X , transversal to ∂X and inward-pointing. Let's fix such a vector field. Then, for every point $p \in \partial X$, the vector V_p represents a preferred point in the interior of the model space X_p described above. This identifies X_p with the product $T_p \partial X \times \mathbb{R}_1^1$. Moreover, V determines a global smooth section of the inward-pointing normal bundle $N^+ \partial X$, which then gets identified with the trivial fiber bundle $\partial X \times \mathbb{R}_1^1$.

Consider an operator P in $\Psi_0^{-\infty, (\mathcal{E}_{\text{lf}}, \mathcal{E}_{\text{rf}}, \mathcal{E}_{\text{ff}_0})}(X)$ or in $\Psi_{0b}^{-\infty, (\mathcal{E}_{\text{lf}}, \mathcal{E}_{\text{rf}}, \mathcal{E}_{\text{fb}}, \mathcal{E}_{\text{ff}_0})}(X)$, with $[\mathcal{E}_{\text{ff}_0}] = 0$, and a point $p \in \partial X$. We have seen above that the normal operator $N_p(P)$ acts on functions over X_p , and is invariant under translations by elements of $T_p \partial X$ and positive dilations. Thanks to the decomposition $X_p = T_p \partial X \times \mathbb{R}_1^1$, we can conjugate P by the Fourier transform on functions over $T_p \partial X$, and the result can be interpreted as an operator on functions over $T_p^* \partial X \times \mathbb{R}_1^1$.⁷ The translation invariance of $N_p(P)$ implies that the result depends only parametrically on the covector. More precisely, the conjugation is a smooth family $\eta \mapsto \hat{N}_\eta(P)$, where η ranges in $T_p^* \partial X \setminus 0$ and $\hat{N}_\eta(P)$ is an operator on functions over \mathbb{R}_1^1 . We call $\hat{N}_\eta(P)$ the *Bessel operator* of P at η . A different choice of the vector field V only changes $\hat{N}_\eta(P)$ by a smooth, nowhere zero factor.

Let's express $\hat{N}_\eta(P)$ in coordinates. Let x, y be coordinates for X centered at p and compatible with V , in the sense that $Vx \equiv 1$ along the domain of definition of the chart. As explained above, we have

$$N_p(P) = k \left(\frac{x}{\tilde{x}}, \frac{y-\tilde{y}}{\tilde{x}} \right) \frac{d\tilde{x}d\tilde{y}}{\tilde{x}^{n+1}},$$

where

$$k(s, u) \in \begin{cases} \mathcal{A}_{\text{phg}}^{(\mathcal{E}_{\text{lf}}, \mathcal{E}_{\text{rf}}+n+1)}(\overline{\mathbb{R}}_1^{n+1}) & \text{if } P \in \Psi_0^{-\infty, (\mathcal{E}_{\text{lf}}, \mathcal{E}_{\text{rf}}, \mathcal{E}_{\text{ff}_0})}(X) \\ \mathcal{A}_{\text{phg}}^{(\mathcal{E}_{\text{lf}}, \mathcal{E}_{\text{rf}}+n+1, \mathcal{E}_{\text{fb}}+n)}(\overline{\mathbb{R}}_1^1 \times \overline{\mathbb{R}}^n) & \text{if } P \in \Psi_{0b}^{-\infty, (\mathcal{E}_{\text{lf}}, \mathcal{E}_{\text{rf}}, \mathcal{E}_{\text{fb}}, \mathcal{E}_{\text{ff}_0})}(X) \end{cases}.$$

A computation shows that the Bessel family is then

$$\hat{N}_\eta(P) = \hat{k} \left(\frac{x}{\tilde{x}}, \tilde{x}\eta \right) \frac{d\tilde{x}}{\tilde{x}},$$

where $\hat{k}(s, \eta)$ is the Fourier transform of $k(s, u)$ in the u variables. This expression implies immediately that $\hat{N}_\eta(P)$ is not dilation invariant anymore. Rather, it is ‘‘homogeneous of degree 0’’ in η in the following sense. Given $t > 0$, denote by λ_t the ‘‘dilation by t ’’ action on $N_p^+ \partial X$. Then we have

$$\lambda_t^* \circ \hat{N}_\eta(P) \circ \lambda_{t^{-1}}^* = \hat{N}_{t\eta}(P).$$

We refer to [Maz86, Maz91, Lau03, Hin23a] for more details.

⁷Strictly speaking, the invariant Fourier transform on a vector spaces V transforms functions over V to density-valued functions over the dual V^* ; however, since we are conjugating an operator, we can invariantly factor out a common linear density in the domain and in the codomain, and the result is invariant under this choice.

For 0-trace and 0-Poisson operators, the construction is similar. If $A \in \Psi_{0\text{tr}}^{-\infty, \mathcal{E}}(X, \partial X)$ with $[\mathcal{E}_{\text{ff}}] = 0$, as explained above we can write the normal operator A at p with respect to coordinates (x, y) with $Vx \equiv 1$ near p , as

$$N_p(A) = k \left(\frac{y - \tilde{y}}{\tilde{x}} \right) \frac{d\tilde{x}d\tilde{y}}{\tilde{x}^{n+1}}$$

for some $k(u) \in \mathcal{A}_{\text{phg}}^{\mathcal{E}_{\text{of}}+n+1}(\overline{\mathbb{R}^n})$. The Bessel family at p in these coordinates is

$$\hat{N}_\eta(A) = \hat{k}(\tilde{x}\eta) \frac{d\tilde{x}}{\tilde{x}}.$$

Invariantly, $\eta \mapsto \hat{N}_\eta(A)$ can be interpreted as a family of operators from functions over $N_p^+ \partial X$ to \mathbb{C} , smoothly parametrized by $\eta \in T_p^* \partial X \setminus 0$. Again, the dependence on the choice of the vector field V is only up to a nowhere zero phase factor. This time, the dilation invariance of $N_p(A)$ translates into the homogeneity property

$$\hat{N}_\eta(A) \circ \lambda_{t^{-1}}^* = \hat{N}_{t\eta}(A).$$

Similarly, if $B \in \Psi_{0\text{P}}^{-\infty, \mathcal{E}}(X, \partial X)$ with $[\mathcal{E}_{\text{ff}}] = 0$, we can write its normal operator $N_p(B)$ in coordinates as

$$N_p(B) = k \left(\frac{y - \tilde{y}}{x} \right) \frac{d\tilde{y}}{x^n}$$

for some $k(v) \in \mathcal{A}_{\text{phg}}^{\mathcal{E}_{\text{of}}+n}(\overline{\mathbb{R}^n})$, and the corresponding Bessel family at p is simply

$$\hat{N}_\eta(B) = \hat{k}(x\eta).$$

We can think of $\eta \mapsto \hat{N}_\eta(B)$ invariantly as a family of operators from \mathbb{C} to functions over $N_p^+ \partial X$, smoothly parametrized by $\eta \in T_p^* \partial X \setminus 0$. The dilation invariance of $N_p(B)$ translates into the homogeneity property

$$\lambda_t^* \circ \hat{N}_\eta(B) = \hat{N}_{t\eta}(B).$$

We refer to §2.6.2 and §2.7.2 of [Usu22] for more details.

2.5. Parametrics for fully 0-elliptic operators. The 0-calculus was developed by Mazzeo and Melrose in order to construct parametrics for *fully 0-elliptic operators*.

Definition 2.25. (0-differential operators) A *0-differential operator* on X is a differential operator L which, in coordinates (x, y) near any point $p \in \partial X$, can be written in the form

$$L = \sum_{j+|\alpha| \leq m} L_{j,\alpha}(x, y) (x\partial_x)^j (x\partial_y)^\alpha$$

where $j \in \mathbb{N}$, $\alpha \in \mathbb{N}^n$, and $L_{j,\alpha}(x, y)$ are locally defined smooth functions. We denote by $\text{Diff}_0^m(X)$ the space of 0-differential operators of order $\leq m$.

Invariantly, a 0-differential operator can be described as a $C^\infty(X)$ linear combination of compositions of vector fields on X which vanish along the boundary. These vector fields are called *0-vector fields*, and they form a Lie subalgebra $\mathcal{V}_0(X)$ of the Lie algebra of vector fields on X . The object $\mathcal{V}_0(X)$ is central in the theory. Via the Serre–Swan Theorem, $\mathcal{V}_0(X)$ determines uniquely a smooth vector bundle ${}^0TX \rightarrow X$, the *0-tangent bundle*, whose module of sections is $\mathcal{V}_0(X)$. The inclusion $\mathcal{V}_0(X) \rightarrow \mathcal{V}(X)$ into the module of vector fields on X determines a bundle map $\# : {}^0TX \rightarrow TX$, which is an isomorphism at each point $p \in X^\circ$ since 0-vector fields span $T_p X^\circ$ pointwise. However, $\#$ vanishes identically along ∂X . The dual of 0TX is denoted by ${}^0T^*X$, and can be thought of as the bundle whose smooth sections are the singular 1-forms of the form $x^{-1}\omega$, where ω is a smooth 1-form on X and x is a boundary defining function on X .

By construction, 0-differential operators can never be elliptic in the standard sense: due to the degeneracy of 0-vector fields along ∂X , the principal symbol $\sigma(L)$ of an operator $L \in \text{Diff}_0^m(X)$ (thought of as a smooth function on T^*X , fibrewise homogeneous of degree m) always vanishes to order m along ∂X . The correct notion of ellipticity involves extending $\sigma(L)$ from the interior (i.e. from $T^*X^\circ \equiv {}^0T^*X|_{X^\circ}$) to a smooth function ${}^0\sigma(L)$ on ${}^0T^*X$, fibrewise homogeneous of degree m .

Definition 2.26. The *principal 0-symbol* of an operator $L \in \text{Diff}_0^m(X)$ is the unique smooth extension to ${}^0T^*X$ of the principal symbol $\sigma(L)$ restricted to T^*X° . L is called *0-elliptic* if ${}^0\sigma(L)$ is nowhere zero on ${}^0T^*X \setminus 0$.

The small 0-calculus $\Psi_0^\bullet(X)$ recalled above was developed precisely with the aim of inverting 0-elliptic operators modulo smoothing operators. Indeed, it is easy to check that $\text{Diff}_0^m(X) \subseteq \Psi_0^m(X)$, and using a variant of the standard Hadamard parametrix construction, it is not hard (with the small 0-calculus at hand) to prove the following

Theorem 2.27. (*Mazzeo–Melrose*) *Let $L \in \text{Diff}_0^m(X)$ be 0-elliptic. Then there exists an operator $Q \in \Psi_0^{-m}(X)$ such that $LQ \equiv QL \equiv I \pmod{\Psi_0^{-\infty}(X)}$.*

The result above is sufficient for properties such as elliptic regularity on appropriate Sobolev spaces associated to $\mathcal{V}_0(X)$. More precisely, given $k \in \mathbb{N}$ and $\delta \in \mathbb{R}$, denote by $x^\delta H_0^k(X)$ the space of functions $u \in x^\delta L_b^2(X)$ ⁸ for which $V_1 \cdots V_l u \in x^\delta L_b^2(X)$ for every $V_1, \dots, V_l \in \mathcal{V}_0(X)$ and $l \leq k$. As usual, $x^\delta H_0^k(X)$ is a Banach space with a norm induced by a choice of a boundary defining function x , a smooth positive density ω on X , and a finite subset of $\mathcal{V}_0(X)$ which generates $\mathcal{V}_0(X)$ pointwise. The induced Banach topology is intrinsic of X . If $Q \in \Psi_0^m(X)$ with $m \in \mathbb{Z}$, then Q induces for every $\delta \in \mathbb{R}$ a continuous linear map

$$Q : x^\delta H_0^{k+m}(X) \rightarrow x^\delta H_0^k(X).$$

Consequently, if $L \in \text{Diff}_0^m(X)$ is 0-elliptic, for every δ and k we have 0-elliptic estimates of the form

$$\|u\|_{x^\delta H_0^{k+m}} \leq C \left(\|u\|_{x^\delta L_b^2} + \|Lu\|_{x^\delta H_0^k} \right).$$

However, this is not enough to guarantee that the induced map

$$L : x^\delta H_0^{k+m}(X) \rightarrow x^\delta H_0^k(X)$$

is *Fredholm*. This is essentially due to the fact that the residual operators in $\Psi_0^{-\infty}(X)$ are in general *non-compact* as operators on $x^\delta L_b^2(X)$.

In order to invert L modulo compact remainders, one needs to be able to invert every Bessel operator of L on the appropriate weighted space. Since $L \in \Psi_0^m(X)$, one can define $N(L)$ as in §2.4 as the restriction of $\kappa_L = \beta_0^* K_L$ to the 0-front face \mathbf{ff}_0 of X_0^2 . Its interpretation as a family of operators is very easy to understand: if in local coordinates (x, y) centered at a point $p \in \partial X$ L takes the local form

$$L = \sum_{j+|\alpha| \leq m} L_{j,\alpha}(x, y) (x\partial_x)^j (x\partial_y)^\alpha,$$

then the normal operator at p in the induced global linear coordinates on X_p (still denoted by (x, y) with slight abuse of notation) is simply

$$N_p(L) = \sum_{j+|\alpha| \leq m} L_{j,\alpha}(0, 0) (x\partial_x)^j (x\partial_y)^\alpha.$$

Choosing a vector field V on X transversal to ∂X and inward-pointing, and assuming that $Vx \equiv 1$ near p , the Bessel operator of L (with respect to the auxiliary choice of V) at a covector $\eta \in T_p^* \partial X$ is then

$$\hat{N}_\eta(L) = \sum_{j+|\alpha| \leq m} L_{j,\alpha}(0, 0) (x\partial_x)^j (ix\eta)^\alpha.$$

We remark that $\hat{N}_\eta(L)$ should be interpreted as an operator on functions over $N_p^+ \partial X$. The evaluation of $\hat{N}_\eta(L)$ at $\eta = 0$ determines a simpler operator which depends only on p , which is called the *indicial operator* of L at p :

$$I_p(L) = \sum_{j \leq m} L_{j,0}(0, 0) (x\partial_x)^j.$$

⁸The space $L_b^2(X)$ is the space of functions on X° with finite L^2 norm with respect to a singular positive density of the form $x^{-1}\omega$, where ω is a smooth positive density on X and x is a boundary defining function. The choice of $L_b^2(X)$ as our base space for 0-Sobolev spaces is purely conventional: with this choice, $o(x^\delta)$ conormal functions are in $x^\delta L_b^2(X)$.

$I_p(L)$ can be invariantly interpreted as a *dilation invariant* operator on functions over $N_p^+\partial X$. Its fibrewise Mellin transform yields a *polynomial*

$$I_p^M(L) = \sum_{j \leq m} L_{j,0}(0,0) z^j,$$

which is called the *indicial polynomial* of L at p .

Definition 2.28. An *indicial root* for L at p is a root of $I_p^M(L)$. Equivalently, it is a complex number μ for which x^μ is in the kernel of $I_p(L)$. The *multiplicity* of an indicial root μ is $m-1$, where m is the algebraic multiplicity of μ as a root of $I_p^M(L)$. Equivalently, m is the maximum among the integers p such that $x^\mu (\log x)^p$ is in the kernel of $I_p(L)$.

In general, the indicial roots of L depend on the point $p \in \partial X$. However, this does not happen for most geometrically interesting operators, so from now on *we shall assume that the 0-elliptic operators considered in this paper have constant indicial roots*. We denote by $\text{spec}_b(L)$ the set of indicial roots of L , and by $\widehat{\text{spec}}_b(L)$ the set of pairs (μ, M_μ) , where $\mu \in \text{spec}_b(L)$ and M_μ is the multiplicity of μ .

A weight $\delta \in \mathbb{R}$ is called *nonindicial* if $\delta \notin \Re(\text{spec}_b(L))$. It is proved in [Maz91] that, if $L \in \text{Diff}_0^m(X)$ is 0-elliptic and δ is nonindicial, then the Bessel operators

$$(2.1) \quad \hat{N}_\eta(L) : x^\delta H_0^m(N_p^+\partial X) \rightarrow x^\delta L_b^2(N_p^+\partial X)$$

are Fredholm for every $\eta \in T^*\partial X \setminus 0$. Moreover, the kernel and orthogonal complement of the range of $\hat{N}_\eta(L)$ consist of polyhomogeneous functions on the radial compactification $\overline{N_p^+\partial X} = [0, +\infty]$, with index set \mathcal{E} with $\Re(\mathcal{E}) > \delta$ at 0, and infinite order of vanishing (i.e. Schwartz decay) at ∞ .

Definition 2.29. A weight $\delta \in \mathbb{R}$ is said to be *injective* (resp. *surjective*, *invertible*) for L if it is non-indicial and the map 2.1 is injective (resp. surjective, invertible).

If δ is an invertible weight, then one obtains good parametrices modulo *compact* operators on $x^\delta L_b^2(X)$.

Theorem 2.30. (Mazzeo–Melrose) *Let $L \in \text{Diff}_0^m(X)$ be 0-elliptic with constant indicial roots, and let $\delta \in \mathbb{R}$ be an invertible weight for L . Then there exist operators $A, B \in \Psi_0^{-m}(X) + \Psi_0^{-\infty, \mathcal{H}}(X)$, with $\mathcal{H} = (\mathcal{H}_{\text{lf}}, \mathcal{H}_{\text{rf}}, \mathcal{H}_{\text{ff}_0})$ and*

$$\begin{aligned} \Re(\mathcal{H}_{\text{lf}}) &> \delta \\ \Re(\mathcal{H}_{\text{rf}}) &> -\delta - 1 \\ [\mathcal{H}_{\text{ff}_0}] &= 0, \end{aligned}$$

such that:

- (1) $LA = I - R_A$, with $R_A \in \Psi^{-\infty, (\infty, \mathcal{H}_{\text{rf}})}(X)$;
- (2) $BL = I - R_B$, with $R_B \in \Psi^{-\infty, (\mathcal{H}_{\text{lf}}, \infty)}(X)$.

The main ingredients for the proof are:

- (1) a detailed description of the inverse of the Bessel operators $\hat{N}_\eta(L)$ as maps $x^\delta H_0^m(N_p^+\partial X) \rightarrow x^\delta L_b^2(N_p^+\partial X)$;
- (2) a *composition theorem* for the 0-calculus.

This theorem immediately implies that if L and δ are as in the previous theorem, then L is Fredholm as a map $x^\delta H_0^{k+m}(X) \rightarrow x^\delta H_0^k(X)$, because the right and left parametrices $A, B \in \Psi_0^{-m}(X) + \Psi_0^{-\infty, \mathcal{H}}(X)$ are bounded as maps $x^\delta H_0^k(X) \rightarrow x^\delta H_0^{k+m}(X)$ and the very residual remainders R_A, R_B are *compact* as operators $x^\delta H_0^k(X) \rightarrow x^\delta H_0^k(X)$ for every k . We refer to [Maz91, Lau03, Hin23a] for details.

3. BOUNDARY VALUE PROBLEMS

In this section, we will sketch our approach to boundary value problems, and we will solve in detail the model problem. We adopt a strategy similar to the one introduced by Mazzeo and Vertman in [MV14]. A careful analysis of the model problem motivates the need for the “symbolic 0-calculus” developed in the rest of the paper with the aim of constructing parametrices for elliptic boundary value problems.

3.1. Boundary conditions.

3.1.1. *Semi-Fredholmness.* Theorem 2.30 provides very satisfactory left and right parametrices for a 0-elliptic operator L with constant indicial roots on $x^\delta L_b^2(X)$, when the weight δ is invertible. However, in natural geometric problems, one very commonly has to deal with 0-elliptic operators on weighted spaces where the weight δ is only injective or surjective. In this case, L is only *semi-Fredholm*. The following fundamental result is due to Mazzeo and is essentially a corollary of Theorem 2.30.

Theorem 3.1. (Mazzeo) *Let $L \in \text{Diff}_0^m(X)$ be 0-elliptic with constant indicial roots, and let $\delta \in \mathbb{R}$ be an injective (resp. surjective) weight for L . Then L is semi-Fredholm essentially injective (resp. essentially surjective) as an operator $x^\delta H_0^{k+m}(X) \rightarrow x^\delta H_0^k(X)$. Moreover, given a choice of an $x^\delta L_b^2$ inner product induced by a singular density of the form $x^{-2\delta-1}\omega$, with ω a smooth positive density on X , the $x^\delta L_b^2$ generalized inverse G and orthogonal projectors P_1, P_2 onto the kernel and orthogonal complement of the range of L , are all in the 0-calculus. More specifically:*

- (1) $G \in \Psi_0^{-m}(X) + \Psi_0^{-\infty, \mathcal{H}}(X)$, where $\mathcal{H} = (\mathcal{H}_{\text{lf}}, \mathcal{H}_{\text{rf}}, \mathcal{H}_{\text{ff}_0})$ is as in Theorem 2.30;
- (2) $P_1 \in \Psi_0^{-\infty, \mathcal{E}}(X)$ where $\mathcal{E} = (\mathcal{E}_{\text{lf}}, \mathcal{E}_{\text{rf}}, \mathcal{E}_{\text{ff}_0})$ and:
 - (a) \mathcal{E}_{lf} is the extended union of the simple index sets generated by the pairs $(\mu, M_\mu) \in \widehat{\text{spec}}_b(L)$ with $\Re(\mu) > \delta$;
 - (b) $\mathcal{E}_{\text{rf}} = \overline{\mathcal{E}_{\text{lf}}} - 2\delta - 1$;
 - (c) $\mathcal{E}_{\text{ff}_0} = \mathbb{N} \cup \mathcal{I}$ where \mathcal{I} is an index set with $\Re(\mathcal{I}) > n$;
- (3) $P_2 \in \Psi_0^{-\infty, \mathcal{F}}(X)$ where $\mathcal{F} = (\mathcal{F}_{\text{lf}}, \mathcal{F}_{\text{rf}}, \mathcal{F}_{\text{ff}_0})$ and:
 - (a) \mathcal{F}_{lf} is the extended union of the simple index sets generated by the pairs $(\mu, M_\mu) \in \widehat{\text{spec}}_b(L^\dagger)$ with $\Re(\mu) > \delta$, where L^\dagger is the $x^\delta L_b^2$ formal adjoint of L ;
 - (b) $\mathcal{F}_{\text{rf}} = \overline{\mathcal{F}_{\text{lf}}} - 2\delta - 1$;
 - (c) $\mathcal{F}_{\text{ff}_0} = \mathbb{N} \cup \mathcal{I}$ where \mathcal{I} is an index set with $\Re(\mathcal{I}) > n$.

If δ is essentially injective (resp. essentially surjective) then P_1 (resp. P_2) is very residual.

If δ is not invertible, but still injective or surjective, then one can still hope to supplement L with boundary conditions in order to get Fredholmness. The formulation of elliptic boundary conditions for semi-Fredholm 0-elliptic operators is due to Mazzeo and Vertman, cf. [MV14]. In this paper, we present a slightly different formulation which we sketch now. For simplicity, in this section we will ignore regularity issues and work on weighted spaces of conormal functions $x^\delta H_b^\infty(X)$ (this space consists of functions on $x^\delta L_b^2(X)$ for which every multiple b -derivative is still in $x^\delta L_b^2(X)$).

3.1.2. *Critical indicial roots.* Fix once and for all the following auxiliary data:

- (1) an auxiliary vector field V on X transversal to ∂X and inward-pointing;
- (2) a boundary defining function x compatible with V , in the sense that $Vx \equiv 1$ near the boundary;
- (3) a smooth positive density ω on X .

As previously explained, the choices of x and ω allow us to define inner products on the weighted spaces $x^\delta L_b^2(X)$. If $L \in \text{Diff}_0^m(X)$ is 0-elliptic with constant indicial roots, and δ is an injective or surjective weight, we denote by G, P_1, P_2 the generalized inverse and orthogonal projectors for L relative to the chosen inner product on $x^\delta L_b^2(X)$. The choice of V trivializes the inward-pointing normal bundle $N^+\partial X \equiv \partial X \times \mathbb{R}_1^1$, and its flow starting at ∂X determines a collar neighborhood of ∂X in X with respect to which we can compute asymptotic expansions of polyhomogeneous functions on X . The global coordinate $N^+\partial X \rightarrow \mathbb{R}_1^1$ induced by V will be denoted with x as well, with slight abuse of notation.

Let δ be a surjective, not injective weight for L . We are interested in solving the equation $Lu = v$ for $u, v \in x^\delta H_b^\infty(X)$. This problem can be solved for essentially every v (i.e. for all v orthogonal to the kernel of L^\dagger , which by the previous theorem span a finite-dimensional subspace of $\mathcal{A}_{\text{phg}}^{\mathcal{F}_{\text{lf}}}(X)$), but the solution is not essentially unique since the kernel of L is infinite-dimensional. Assuming for simplicity that v is in the range, a particular solution is provided by Gv , the unique solution orthogonal to the $x^\delta L_b^2$ kernel of L . In general, every solution can be decomposed orthogonally as $u = P_1u + Gv$. Now, although Gv is generically only in $x^\delta H_b^\infty(X)$, P_1u is in fact *polyhomogeneous*

with index set \mathcal{E}_{if} : this is proved in [Maz91]⁹. Moreover, if one writes down the expansion of $w := P_1 u$ with respect to V

$$w \sim \sum_{(\alpha, l) \in \mathcal{E}_{\text{if}}} w_{\alpha, l} x^\alpha (\log x)^l,$$

then one quickly realizes that only some of the coefficients $w_{\alpha, l} \in C^\infty(\partial X)$ are formally free: specifically, only the coefficients $w_{\mu, l}$ with $\mu \in \text{spec}_b(L)$ and $\mu \leq M_\mu$ are, while the others are obtained as linear combinations of those “critical” coefficients. In particular, denote by $\bar{\delta}$ the infimum of the injective weights for L (note that this implies that the line $\Re(z) = \bar{\delta}$ in \mathbb{C} contains at least one indicial root): then, if $Lw = 0$ and all the coefficients $w_{\mu, l}$ with $\mu \in \text{spec}_b(L)$, $\Re(\mu) \in (\delta, \bar{\delta}]$ and $l \leq M_\mu$ vanish, then w lies in the $x^{\bar{\delta} + \epsilon} L_b^2$ kernel of L for some small $\epsilon > 0$, which is finite-dimensional since $\bar{\delta} + \epsilon$ is an injective weight by definition of $\bar{\delta}$.

Definition 3.2. The *critical strip* for L relative to the weight δ is the set $\{z \in \mathbb{C} : \Re(z) \in (\delta, \bar{\delta}]\}$. An indicial root for L is said to be *critical* relative to the weight δ if it lies in the critical strip.

From the discussion above, it is clear that in order to characterize an $x^\delta H_b^\infty$ solution u of $Lu = v$ up to finite-dimensional subspaces, it is sufficient to prescribe the terms $w_{\mu, l}$ of the expansion of $w = P_1 u$ for which μ is a critical indicial root.

3.1.3. *Log-homogeneous functions.* It is quite convenient to interpret the collection $\{w_{\mu, l}\}$ with μ critical, as a section of a natural vector bundle over ∂X . Let us construct this bundle precisely.

Definition 3.3. Let $(\alpha, M) \in \mathbb{C} \times \mathbb{N}$. A *log-homogeneous function* on \mathbb{R}_1^1 of degree $\leq (\alpha, M)$ is a smooth function on \mathbb{R}^+ which is in the kernel of the operator $(x\partial_x - \alpha)^M$. Equivalently, a log-homogeneous function of degree $\leq (\alpha, M)$ is a linear combination of the $M + 1$ functions $x^\alpha (\log x)^j$ for $0 \leq j \leq M$.

Remark 3.4. Although a log-homogeneous function on \mathbb{R}_1^1 is defined only in the interior, it determines canonically an extendible distribution on \mathbb{R}_1^1 .

One can easily check that being log-homogeneous of degree $\leq (\alpha, M)$ is a dilation invariant property. For this reason, we can talk about *fibrewise* log-homogeneous functions on $N^+ \partial X$ of degree $\leq (\alpha, M)$. These functions form a $C^\infty(\partial X)$ module, which determines a smooth vector bundle $E_{\alpha, M} \rightarrow \partial X$ of rank $M + 1$. We can see $E_{\alpha, M}$ as an associated vector bundle as follows. First, the fiber bundle $N^+ \partial X \setminus O$ is a principal \mathbb{R}^+ bundle, with fibrewise action given by dilations. Now, consider the representation

$$\begin{aligned} \rho_{\alpha, M} : \mathbb{R}^+ &\rightarrow \text{GL}(M + 1, \mathbb{C}) \\ t &\mapsto t^{-\mathfrak{s}_{\alpha, M}}, \end{aligned}$$

where

$$\mathfrak{s}_{\alpha, M} = \begin{pmatrix} \alpha & 1 & & & \\ & \alpha & \ddots & & \\ & & \ddots & M & \\ & & & \ddots & \\ & & & & \alpha \end{pmatrix}.$$

Explicitly, we have

$$t^{-\mathfrak{s}_{\alpha, M}} = t^{-\alpha} \begin{pmatrix} 1 & -\log t & \frac{(-\log t)^2}{2!} & \cdots & \frac{(-\log t)^M}{M!} \\ 0 & 1 & -2 \log t & \cdots & \frac{(-2 \log t)^{M-1}}{(M-1)!} \\ 0 & 0 & 1 & \ddots & \vdots \\ \vdots & \vdots & \vdots & \ddots & -M \log t \\ 0 & 0 & 0 & 0 & 1 \end{pmatrix}.$$

⁹If u is an $x^\delta L_b^2$ solution of $Lu = v$ with v only in $x^\delta L_b^2(X)$, then $P_1 u$ is smooth in the interior by 0-elliptic regularity, but it only has a *weak* polyhomogeneous expansion, as explained in [Maz91].

Then $E_{\alpha,M}$ is precisely the bundle associated to $N^+\partial X \setminus O$ via the representation $\rho_{\alpha,M}$. Indeed, if the function f corresponds to the vector (f_0, \dots, f_M) , i.e.

$$f(x) = \sum_{l=0}^M f_l x^\alpha (\log x)^l,$$

then calling again λ_t the dilation by t action on \mathbb{R}^+ , and expanding

$$(\lambda_t^* f)(x) = f(tx) = \sum_{l=0}^M f_l (tx)^\alpha (\log tx)^l,$$

we obtain that $\lambda_t^* f$ corresponds to the vector

$$t^{\mathfrak{s}_{\alpha,M}} \begin{pmatrix} f_0 \\ \vdots \\ f_M \end{pmatrix} = t^\alpha \begin{pmatrix} 1 & \log t & \frac{(\log t)^2}{2!} & \cdots & \frac{(\log t)^M}{M!} \\ 0 & 1 & 2 \log t & \cdots & \frac{(2 \log t)^{M-1}}{(M-1)!} \\ 0 & 0 & 1 & \ddots & \vdots \\ \vdots & \vdots & \vdots & \ddots & M \log t \\ 0 & 0 & 0 & 0 & 1 \end{pmatrix} \begin{pmatrix} f_0 \\ \vdots \\ f_M \end{pmatrix}.$$

The choice of the vector field V determines a global trivialization $N^+\partial X \equiv \partial X \times \mathbb{R}_1^+$ with respect to which the smooth sections of $E_{\alpha,M}$ are precisely the smooth functions on $N^+\partial X \setminus O$ of the form

$$\sum_{l \leq M} w_{\alpha,l} x^\alpha (\log x)^l$$

with $w_{\alpha,l} \in C^\infty(\partial X)$; in this formula, x is the global coordinate on $N^+\partial X$ induced by V .

For later use, observe that the matrix $\mathfrak{s}_{\alpha,M}$ defined above determines a natural bundle endomorphism of $E_{\alpha,M}$, which we can still call $\mathfrak{s}_{\alpha,M}$. This endomorphism corresponds to the fibrewise dilation invariant vector field $x\partial_x$ on $N^+\partial X$ acting on log-homogeneous functions.

3.1.4. The trace map \mathcal{E} boundary conditions. Let's come back to our problem. For every critical indicial root μ for L relative to δ , define

$$\tilde{M}_\mu = \max \{l \in \mathbb{N} : (\mu, l) \in \mathcal{E}_{\text{if}}\}.$$

Observe that $\tilde{M}_\mu \geq M_\mu$, where M_μ is the multiplicity of μ ; more precisely, since \mathcal{E}_{if} is the extended union of the index sets generated by the pairs (μ, M_μ) , we have $\tilde{M}_\mu > M_\mu$ if and only if there is another critical indicial root μ' with $\mu - \mu' \in \mathbb{N}^+$. Define now

$$\mathbf{E}_L = \bigoplus_{\mu \text{ critical}} E_{\mu, \tilde{M}_\mu}.$$

Now, if $w \in \mathcal{A}_{\text{phg}}^{\mathcal{E}_{\text{if}}}(X)$ has an expansion with respect to V given by

$$w \sim \sum_{(\alpha,l) \in \mathcal{E}_{\text{if}}} w_{\alpha,l} x^\alpha (\log x)^l,$$

for every critical indicial root μ the term $\sum_l w_{\mu,l} x^\mu (\log x)^l$ can be interpreted as a smooth section of E_{μ, \tilde{M}_μ} . Thus, the collection of coefficients $\{w_{\mu,l}\}$ can be interpreted as a smooth section of \mathbf{E}_L .

Definition 3.5. The *trace map* for L relative to the weight δ (and the auxiliary choices of x, ω, V) is the continuous linear map

$$\mathbf{A}_L : x^\delta H_b^\infty(X) \rightarrow C^\infty(\partial X; \mathbf{E}_L)$$

sending a function $u \in x^\delta H_b^\infty(X)$ to the term

$$\sum_{\mu \text{ critical}} \sum_{l \leq \tilde{M}_\mu} w_{\mu,l} x^\mu (\log x)^l$$

in the expansion of $w = P_1 u$.

Remark 3.6. From the previous discussion, we know that a $x^\delta H_b^\infty$ solution w of $Lw = 0$ is determined, up to a finite-dimensional subspace, by the coefficients $w_{\mu,l}$ with μ critical and $l \leq M_\mu$. From the previous definition, however, $\mathbf{A}_L w$ picks up all the coefficients $w_{\mu,l}$ with μ critical and $l \leq \tilde{M}_\mu$. Thus, the information contained in the trace $\mathbf{A}_L w$ is slightly redundant. This however causes no issues for our boundary value problem formulation, and the chosen formulation is slightly easier to manage.

Definition 3.7. A *boundary condition* for L relative to the weight δ is a pseudodifferential operator $\mathbf{Q} \in \Psi^\bullet(\partial X; \mathbf{E}_L, \mathbf{W})$, where $\mathbf{W} \rightarrow \partial X$ is a vector bundle on ∂X . The corresponding boundary value problem (on $x^\delta H_b^\infty$ functions) is

$$\begin{cases} Lu = v & u, v \in x^\delta H_b^\infty(X) \\ \mathbf{Q}\mathbf{A}_L u = \varphi & \varphi \in C^\infty(\partial X; \mathbf{W}) \end{cases}.$$

We say that the boundary value problem is *well-posed* if a solution exists for essentially every pair (v, φ) , and the solution is essentially unique. In other words, the boundary value problem induced by \mathbf{Q} is well-posed if the map

$$L \oplus \mathbf{Q}\mathbf{A}_L : x^\delta H_b^\infty(X) \rightarrow x^\delta H_b^\infty(X) \oplus C^\infty(\partial X; \mathbf{W})$$

is *Fredholm*.

Later, we will restrict ourselves to boundary conditions belonging to a special subcalculus of pseudodifferential operators, which we refer to as the *twisted boundary calculus*.

3.2. Elliptic boundary conditions. In order to formulate the concept of ellipticity of a boundary condition, we need to describe the model problem at the Bessel level. Let $p \in \partial X$, and let $\eta \in T_p^* \partial X \setminus 0$. As $\hat{N}_\eta(L)$ is Fredholm as an operator $x^\delta H_0^m(N_p^+ \partial X) \rightarrow x^\delta L_b^2(N_p^+ \partial X)$, one can talk about *the Bessel trace map* for $\hat{N}_\eta(L)$ relative to the weight δ (and the choices of V, x, ω). More precisely, denote by $\hat{N}_\eta(P_1)$ the Bessel operator of the orthogonal projector P_1 onto the kernel of L . We remark that $\hat{N}_\eta(P_1)$ is precisely the orthogonal projector onto the kernel of $\hat{N}_\eta(L)$.

Definition 3.8. The *Bessel trace family* for L relative to the weight δ (and the auxiliary choices of V, x, ω) is the family $\hat{\mathbf{a}}_L : \eta \mapsto \hat{\mathbf{a}}_{L,\eta}$, parametrized by $\eta \in T^* \partial X \setminus 0$, of operators

$$\hat{\mathbf{a}}_{L,\eta} : x^\delta L_b^2(N_p^+ \partial X) \rightarrow (\pi^* \mathbf{E}_L)_\eta$$

sending a function $u \in x^\delta L_b^2(N_p^+ \partial X)$ to the term

$$\sum_{\mu \text{ critical}} \sum_{l \leq \tilde{M}_\mu} w_{\mu,l} x^\mu (\log x)^l$$

in the polyhomogeneous expansion of $w = \hat{N}_\eta(P_1)u$.

Remark 3.9. The definition above seems to suggest that the trace map \mathbf{A}_L defined above belongs to the class of 0-trace operators introduced in §2, and that $\eta \mapsto \hat{\mathbf{a}}_\eta$ is its Bessel family. Although it is true that \mathbf{A}_L is a 0-trace operator, in some sense the class $\Psi_{0\text{tr}}^{-\infty, \bullet}(\partial X, X; \mathbf{E}_L)$ is *not* a good fit to describe \mathbf{A}_L (in particular, if we think of \mathbf{A}_L as an element of $\Psi_{0\text{tr}}^{-\infty, \bullet}(\partial X, X; \mathbf{E}_L)$, then $\eta \mapsto \hat{\mathbf{a}}_{L,\eta}$ is *not* the Bessel family of \mathbf{A}_L in the sense of §2). On the other hand, in §4 (see in particular §4.3) we will introduce an alternative class of trace-type operators, which we will call *twisted symbolic 0-trace operators*. This class comes equipped with a Bessel family map. In §6.2, we shall see that \mathbf{A}_L does indeed belong to this class, and that the Bessel trace family $\eta \mapsto \hat{\mathbf{a}}_{L,\eta}$ is indeed the Bessel family of \mathbf{A}_L in this sense.

Observe that, since δ is a surjective weight, the Bessel trace map $\hat{\mathbf{a}}_{L,\eta}$ restricts to an isomorphism between the kernel of $\hat{N}_\eta(P_1)$ and the range of $\hat{\mathbf{a}}_{L,\eta}$. Indeed:

- (1) by construction, we have $\hat{\mathbf{a}}_{L,\eta} = \hat{\mathbf{a}}_{L,\eta} \hat{N}_\eta(P_1)$, and therefore the range of $\hat{\mathbf{a}}_{L,\eta}$ coincides with the range of $\hat{\mathbf{a}}_{L,\eta}$ restricted to the kernel of $\hat{N}_\eta(L)$;
- (2) if $\hat{N}_\eta(L)u = 0$ and $\hat{\mathbf{a}}_{L,\eta}u = 0$, then from the previous discussions we know that u is actually $O(x^{\bar{\delta}+\epsilon})$; but this then implies that $u \equiv 0$, because otherwise $\bar{\delta} + \epsilon$ would not be an injective weight, contradicting the fact that $\bar{\delta}$ is the infimum of the injective weights.

Since the map $\hat{N}_\eta(L)$ is surjective on $x^\delta L_b^2(N_p^+ \partial X)$, it follows that its $x^\delta L_b^2$ kernel, identified with the range of $\hat{\mathbf{a}}_{L,\eta}$, determines as η varies in $T^* \partial X \setminus 0$ a smooth subbundle $\eta \mapsto \mathcal{C}_\eta$ of the pull-back bundle $\pi^* \mathbf{E}_L$, where $\pi : T^* \partial X \setminus 0 \rightarrow \partial X$ is the bundle projection.

Definition 3.10. The *Calderón bundle* of L relative to the weight δ is the subbundle $\mathcal{C} \rightarrow T^* \partial X \setminus 0$ of $\pi^* \mathbf{E}_L$ obtained as the range of the Bessel trace map $\hat{\mathbf{a}}_{L,\eta}$.

Let us sketch the notion of *ellipticity* of a boundary condition. This is the notion formulated by Mazzeo and Vertman in [MV14]:

Definition 3.11. A boundary condition $\mathbf{Q} \in \Psi^\bullet(\partial X; \mathbf{E}_L, \mathbf{W})$ for L relative to the weight δ is *elliptic* if, for every $\eta \in T^* \partial X \setminus 0$, the principal symbol $\sigma_\eta(\mathbf{Q}) : (\pi^* \mathbf{E}_L)_\eta \rightarrow (\pi^* \mathbf{W})_\eta$ restricts to an isomorphism between the Calderón space \mathcal{C}_η and $(\pi^* \mathbf{W})_\eta$.

Remark 3.12. Observe that, depending on the nature of the operator L , elliptic boundary conditions might not exist. Indeed, a necessary condition for an elliptic boundary condition is that the Calderón bundle \mathcal{C} is isomorphic to the pull-back of a vector bundle on ∂X to $T^* \partial X$. In particular, \mathcal{C} has to extend to a trivial bundle on $T_p^* \partial X \setminus 0$, for every $p \in \partial X$. This topological condition is not always fulfilled. The easiest interesting counterexamples are the chiral Dirac operators of even-dimensional and spin conformally compact manifolds.

3.3. Analysis of the Bessel trace map. We will now compute in detail the Bessel trace family $\eta \mapsto \hat{\mathbf{a}}_{L,\eta}$ as a function of $\eta \in T^* \partial X \setminus 0$. In order to perform concrete computations, we need to choose coordinates y for ∂X centered at p . Write near p

$$L = \sum_{j+|\alpha| \leq m} L_{j,\alpha}(x, y) (x \partial_x) (x \partial_y)^\alpha;$$

then the Bessel family of L (computed with respect to the chosen vector field V) is

$$\hat{N}_\eta(L) = \sum_{j+|\alpha| \leq m} L_{j,\alpha}(0, 0) (x \partial_x) (ix \eta)^\alpha.$$

Assume that an elliptic boundary condition exists. Then the Calderón bundle \mathcal{C} is trivial along the unit sphere in $\mathbb{R}^n \setminus 0$. Since $\hat{\mathbf{a}}_{L,\eta}$ provides an isomorphism between the kernel of $\hat{N}_\eta(L)$ and \mathcal{C}_η , this means that for $\hat{\eta} = \eta/|\eta| \in S^{n-1}$ we can choose an orthonormal basis of solutions $\phi_1(x; \hat{\eta}), \dots, \phi_k(x; \hat{\eta})$ of $\hat{N}_{\hat{\eta}}(L) \phi = 0$ such that the traces $\hat{\mathbf{a}}_{L,\hat{\eta}} \phi_i$ provide a smooth frame of \mathcal{C} restricted to the unit sphere. But then this allows us to extend $\phi_1(x; \hat{\eta}), \dots, \phi_k(x; \hat{\eta})$ to a basis of the kernel of $\hat{N}_\eta(L)$ for every $\eta \in \mathbb{R}^n \setminus 0$. Indeed, we extend the $\phi_i(x; \hat{\eta})$ off $\mathbb{R}_1^1 \times S^{n-1}$ to $\mathbb{R}_1^1 \times (\mathbb{R}^n \setminus 0)$ as

$$\phi_i(x; \eta) := \phi_i(|\eta| x; \hat{\eta}) |\eta|^{-\delta}.$$

Since $\hat{N}_\eta(L)$ satisfies the homogeneity condition $\lambda_t^* \circ \hat{N}_\eta(L) \circ \lambda_{t^{-1}}^* = \hat{N}_{t\eta}(L)$, we have

$$\begin{aligned} \hat{N}_\eta(L) \phi_i(\cdot; \eta) &= \left(\lambda_{|\eta|}^* \circ \hat{N}_{\hat{\eta}}(L) \circ \lambda_{|\eta|^{-1}}^* \right) \psi_i(\cdot; \eta) \\ &= \lambda_{|\eta|}^* \circ \hat{N}_{\hat{\eta}}(L) \left(\phi_i \left(x |\eta|^{-1}; \hat{\eta} \right) \right) \\ &= \lambda_{|\eta|}^* \circ \hat{N}_{\hat{\eta}}(L) \phi_i(x; \hat{\eta}) |\eta|^{-\delta} \\ &= 0, \end{aligned}$$

and therefore the $\phi_i(\cdot; \eta)$ span the kernel of $\hat{N}_\eta(L)$ and are smooth in η . They are also orthonormal: indeed, we have

$$\begin{aligned} (\phi_i(\cdot; \eta) \phi_j(\cdot; \eta))_{x^\delta L_b^2} &= \int_0^\infty \phi_i(|\eta| x; \hat{\eta}) |\eta|^{-\delta} \overline{\phi_j(|\eta| x; \hat{\eta})} |\eta|^{-\delta} x^{-2\delta} \frac{dx}{x} \\ &= \int_0^\infty \phi_i(|\eta| x; \hat{\eta}) \overline{\phi_j(|\eta| x; \hat{\eta})} (|\eta| x)^{-2\delta} \frac{dx}{x} \\ &= \int_0^\infty \phi_i(x; \hat{\eta}) \overline{\phi_j(x; \hat{\eta})} x^{-2\delta} \frac{dx}{x} \\ &= (\phi_i(\cdot; \hat{\eta}), \phi_j(\cdot; \hat{\eta}))_{x^\delta L_b^2}. \end{aligned}$$

The traces of the solutions $\phi_i(\cdot; \eta)$ provide a smooth global trivialization of \mathcal{C} along $T_p^* \partial X \setminus 0$.

This allows us to describe explicitly the Schwartz kernel of $\hat{N}_\eta(P_1)$. Indeed, $\hat{N}_\eta(P_1)$ is the orthogonal projector onto the kernel of $\hat{N}_\eta(L)$, which means that

$$\begin{aligned}\hat{N}_\eta(P_1) &= \sum_{i=1}^k \phi_i(x; \eta) \overline{\phi_i(\tilde{x}; \eta)} \tilde{x}^{-2\delta} \frac{d\tilde{x}}{\tilde{x}} \\ &= \sum_{i=1}^k \phi_i\left(x|\eta|; \frac{\eta}{|\eta|}\right) \overline{\phi_i\left(\tilde{x}|\eta|; \frac{\eta}{|\eta|}\right)} (\tilde{x}|\eta|)^{-2\delta-1} |\eta| d\tilde{x} \\ &= \hat{k}\left(x|\eta|, \tilde{x}|\eta|; \frac{\eta}{|\eta|}\right) |\eta| d\tilde{x}.\end{aligned}$$

Since the functions $\phi_i(x; \hat{\eta})$ are elements of $\mathcal{A}_{\text{phg}}^{(\mathcal{E}_{\text{lf}}, \infty)}(\overline{\mathbb{R}}_1^1 \times S^{n-1})$, and since by definition $\mathcal{E}_{\text{rf}} = \overline{\mathcal{E}}_{\text{lf}} - 2\delta - 1$, the function

$$\hat{k}(x, \tilde{x}; \hat{\eta}) := \sum_{i=1}^k \phi_i(x; \hat{\eta}) \overline{\phi_i(\tilde{x}; \hat{\eta})} \tilde{x}^{-2\delta-1}$$

is an element of $\mathcal{A}_{\text{phg}}^{(\mathcal{E}_{\text{lf}}, \mathcal{E}_{\text{rf}}, \infty)}(\overline{\mathbb{R}}_2^2 \times S^{n-1})$ where $\overline{\mathbb{R}}_2^2$ is the radial compactification of the quadrant $\mathbb{R}_2^2 = \{(x, \tilde{x}) \in \mathbb{R}^2 : x \geq 0, \tilde{x} \geq 0\}$.

The computations above allow us to describe $\hat{N}_\eta(P_1)$ for $\eta \in T_p^* \partial X \setminus 0$. It is nice to interpret $\hat{N}(P_1)$ invariantly as a section of a pull-back Fréchet bundle over $T^* \partial X \setminus 0$.

Definition 3.13. Given $\mathcal{F} = (\mathcal{F}_{\text{lf}}, \mathcal{F}_{\text{rf}})$ a pair of index sets, denote by $\Psi^{-\infty, \mathcal{F}}(\overline{\mathbb{R}}_1^1)$ the space of very residual operators on functions over the radial compactification $\overline{\mathbb{R}}_1^1 = [0, +\infty]$ of the form $F = f(x, \tilde{x}) d\tilde{x}$, where $f(x, \tilde{x}) \in \mathcal{A}_{\text{phg}}^{(\mathcal{E}_{\text{lf}}, \mathcal{E}_{\text{rf}}, \infty)}(\overline{\mathbb{R}}_2^2)$.

The group \mathbb{R}^+ acts linearly on $\Psi^{-\infty, \mathcal{F}}(\overline{\mathbb{R}}_1^1)$ via the map

$$\begin{aligned}\mathbb{R}^+ &\rightarrow \text{GL}(\Psi^{-\infty, \mathcal{F}}(\overline{\mathbb{R}}_1^1)) \\ t &\mapsto (F \mapsto \lambda_t^* \circ F \circ \lambda_{t^{-1}}^*),\end{aligned}$$

and therefore we can define a Fréchet bundle $\Psi^{-\infty, \mathcal{F}}(N^+ \partial X) \rightarrow \partial X$, with typical fiber $\Psi^{-\infty, \mathcal{F}}(\overline{\mathbb{R}}_1^1)$, associated to the principal bundle $N^+ \partial X \setminus O$ via the representation above. Then the computations above prove that

Proposition 3.14. *The Bessel family $\eta \mapsto \hat{N}_\eta(P_1)$ (induced by the choices of V, x, ω) is a section of the pull-back bundle $\pi^* \Psi_b^{-\infty, (\mathcal{E}_{\text{lf}}, \mathcal{E}_{\text{rf}})}(N^+ \partial X)$ over $T^* \partial X \setminus 0$, with the following homogeneity property: for every $t \in \mathbb{R}^+$, we have*

$$\hat{N}_{t\eta}(P_1) = \lambda_t^* \circ \hat{N}_\eta(P_1) \circ \lambda_{t^{-1}}^*.$$

Remark 3.15. We want to stress the formal similarity between the usual principal symbol (a fibrewise homogeneous function on the total space of the cotangent bundle) and the Bessel family (a fibrewise homogeneous section of an associated bundle on the total space of the cotangent bundle). Indeed, as part of our symbolic approach to the 0-calculus, we shall see that the Bessel family $\hat{N}(P_1)$ is a *principal symbol* in a very concrete sense.

Now that we have an explicit description for the Schwartz kernel of $\hat{N}_\eta(P_1)$, the Schwartz kernel of the Bessel trace map $\hat{\mathbf{a}}_{L, \eta}$ is easily obtained. For every critical indicial root μ and every point $p \in \partial X$, denote by

$$\text{tr}_{\mu, \tilde{M}_\mu}^{V_p} : \mathcal{A}_{\text{phg}}^{(\mathcal{E}_{\text{lf}}, \infty)}(\overline{N_p^+ \partial X}) \rightarrow (E_{\mu, \tilde{M}_\mu})_p$$

the map sending a function $w \in \mathcal{A}_{\text{phg}}^{(\mathcal{E}_{\text{lf}}, \infty)}(\overline{N_p^+ \partial X})$ to the term $\sum_{l \leq \tilde{M}_\mu} w_{\mu, l} x^\mu (\log x)^l$ in its expansion at $x = 0$, computed with respect to the trivialization $N_p^+ \partial X \cong \overline{\mathbb{R}}_1^1$ induced by V_p . By definition,

$$\hat{\mathbf{a}}_{L, \eta} u = \bigoplus_{\mu \text{ critical}} \text{tr}_{\mu, \tilde{M}_\mu}^{V_p} \circ \hat{N}_\eta(P_1) u.$$

Enumerate the critical indicial roots in a column vector $(\mu^1, \dots, \mu^I)^T$, and write $\hat{\mathbf{a}}_{L,\eta} = (\hat{a}_{L,\eta}^1, \dots, \hat{a}_{L,\eta}^I)$, where $\hat{a}_{L,\eta}^i = \text{tr}_{\mu^i, \tilde{M}_{\mu^i}} \circ \hat{N}_\eta(P_1)$. Then, in the coordinates chosen above, we have

$$\hat{a}_{L,\eta}^i = \text{tr}_{\mu^i, \tilde{M}_{\mu^i}}^{\partial_x} \left(\hat{k} \left(x|\eta|, \tilde{x}|\eta|; \frac{\eta}{|\eta|} \right) \right) |\eta| d\tilde{x}.$$

Now we come to a crucial point, namely the behavior of the operator $\text{tr}_{\mu^i, \tilde{M}_{\mu^i}}^{\partial_x}$ with respect to dilations. Indeed, the function $x \mapsto \hat{k} \left(x|\eta|, \tilde{x}|\eta|; \frac{\eta}{|\eta|} \right)$ is the pull-back $\left(\lambda_{|\eta|}^* \hat{k} \right) \left(x, \tilde{x}|\eta|; \frac{\eta}{|\eta|} \right)$.

Lemma 3.16. *Let $t \in \mathbb{R}^+$. Then*

$$\text{tr}_{\mu, \tilde{M}_\mu}^{\partial_x} \circ \lambda_t^* = t^{\mathfrak{s}_{\mu, \tilde{M}_\mu}} \circ \text{tr}_{\mu, \tilde{M}_\mu}^{\partial_x}.$$

Proof. This proof is essentially the computation of §3.1.3. Indeed, if the log-homogeneous term of degree $\leq (\mu, \tilde{M}_\mu)$ of a function $u \in \mathcal{A}_{\text{phg}}^{\mathcal{E}_{\text{rf}}}(\mathbb{R}_1^1)$ is

$$\sum_{l \leq \tilde{M}_\mu} u_{\mu, l} x^\mu (\log x)^l,$$

then the log-homogeneous term of degree $\leq (\mu, \tilde{M}_\mu)$ in the expansion of $\tilde{u} = \lambda_t^* u$ is

$$\sum_{l \leq \tilde{M}_\mu} \tilde{u}_{\mu, l} x^\mu (\log x)^l = \sum_{l \leq \tilde{M}_\mu} u_{\mu, l} (tx)^\mu (\log tx)^l,$$

so the vectors $(u_{\mu, 0}, \dots, u_{\mu, \tilde{M}_\mu})$ and $(\tilde{u}_{\mu, 0}, \dots, \tilde{u}_{\mu, \tilde{M}_\mu})$ are related to each other by the formula

$$\begin{pmatrix} \tilde{u}_{\mu, 0} \\ \vdots \\ \tilde{u}_{\mu, \tilde{M}_\mu} \end{pmatrix} = t^{\mathfrak{s}_{\mu, \tilde{M}_\mu}} \begin{pmatrix} u_{\mu, 0} \\ \vdots \\ u_{\mu, \tilde{M}_\mu} \end{pmatrix}.$$

□

Call now

$$\mathfrak{s}_L = \bigoplus_{\mu \text{ critical}} \mathfrak{s}_{\mu, \tilde{M}_\mu} = \begin{pmatrix} \mathfrak{s}_{\mu^1, \tilde{M}_{\mu^1}} & & \\ & \ddots & \\ & & \mathfrak{s}_{\mu^I, \tilde{M}_{\mu^I}} \end{pmatrix}$$

the endomorphism of $\mathbf{E}_L = \bigoplus_{\mu \text{ critical}} E_{\mu, \tilde{M}_\mu}$ induced by the action of the canonical dilation invariant vector field $x\partial_x$ on the space of sections of \mathbf{E}_L , as explained above. Observe that the eigenvalues of \mathfrak{s}_L are precisely the critical indicial roots of L . We then have

$$\hat{\mathbf{a}}_{L,\eta} = \begin{pmatrix} \left(\text{tr}_{\mu^1, \tilde{M}_{\mu^1}} \circ \lambda_{|\eta|}^* \right) \left(\hat{k} \left(\cdot, \tilde{x}|\eta|; \frac{\eta}{|\eta|} \right) \right) \\ \vdots \\ \left(\text{tr}_{\mu^I, \tilde{M}_{\mu^I}} \circ \lambda_{|\eta|}^* \right) \left(\hat{k} \left(\cdot, \tilde{x}|\eta|; \frac{\eta}{|\eta|} \right) \right) \end{pmatrix} |\eta| d\tilde{x}$$

which can be rewritten, using the identity $\text{tr}_{\mu, \tilde{M}_\mu}^{\partial_x} \circ \lambda_t^* = t^{\mathfrak{s}_{\mu, \tilde{M}_\mu}} \circ \text{tr}_{\mu, \tilde{M}_\mu}^{\partial_x}$, as

$$\hat{\mathbf{a}}_{L,\eta} = |\eta|^{\mathfrak{s}_L} \begin{pmatrix} \left(\text{tr}_{\mu^1, \tilde{M}_{\mu^1}}^{\partial_x} \hat{k} \right) \left(\tilde{x}|\eta|; \frac{\eta}{|\eta|} \right) \\ \vdots \\ \left(\text{tr}_{\mu^I, \tilde{M}_{\mu^I}}^{\partial_x} \hat{k} \right) \left(\tilde{x}|\eta|; \frac{\eta}{|\eta|} \right) \end{pmatrix} |\eta| d\tilde{x}.$$

Since $\hat{k}(x, \tilde{x}; \hat{\eta}) \in \mathcal{A}_{\text{phg}}^{\mathcal{E}_{\text{rf}}, \mathcal{E}_{\text{rf}}, \infty}(\mathbb{R}_2^2 \times S^{n-1})$, we have $\left(\text{tr}_{\mu^i, \tilde{M}_{\mu^i}}^{\partial_x} \hat{k} \right)(\tau; \hat{\eta}) \in \mathcal{A}_{\text{phg}}^{\mathcal{E}_{\text{rf}}, \infty}(\mathbb{R}_1^1 \times S^{n-1}; (E_{\mu, \tilde{M}_\mu})_p)$. As in the case of the Bessel family $\hat{N}(P_1)$, the Bessel trace family $\hat{\mathbf{a}}_{L,\eta}$ can be given a nice invariant meaning (modulo the choice of V).

Definition 3.17. Let \mathcal{F} be an index set. Denote by $\Psi_{\text{tr}}^{-\infty, \mathcal{F}}(\mathbb{R}_1^1)$ the space of operators from functions on $\overline{\mathbb{R}}_1^1$ to \mathbb{C} , given by Schwartz kernels of the form $a(\tilde{x}) d\tilde{x}$ for some $a \in \mathcal{A}_{\text{phg}}^{(\mathcal{F}, \infty)}(\overline{\mathbb{R}}_1^1)$.

Again, \mathbb{R}^+ acts linearly on $\Psi_{\text{tr}}^{-\infty, \mathcal{F}}(\mathbb{R}_1^1)$ via the map

$$\begin{aligned} \mathbb{R}^+ &\rightarrow \text{GL}\left(\Psi_{\text{tr}}^{-\infty, \mathcal{F}}(\mathbb{R}_1^1)\right) \\ t &\mapsto (A \mapsto A \circ \lambda_{t^{-1}}^*) \end{aligned}$$

and therefore we can define an associated Fréchet bundle $\Psi_{\text{tr}}^{-\infty, \mathcal{F}}(N^+\partial X) \rightarrow \partial X$, with typical fiber $\Psi_{\text{tr}}^{-\infty, \mathcal{F}}(\mathbb{R}_1^1)$. The computations above show that the Bessel trace family $\eta \mapsto \hat{\mathbf{a}}_{L, \eta}$ is a smooth section of the pull-back bundle $\pi^*\Psi_{\text{tr}}^{-\infty, \mathcal{F}}(N^+\partial X; \mathbf{E}_L)$ over $T^*\partial X \setminus 0$. However, this section is *not* homogeneous! Rather, it is *twisted* homogeneous in the following sense:

Proposition 3.18. *The Bessel trace family $\eta \mapsto \hat{\mathbf{a}}_{L, \eta}$ (induced by the choices of V, x, ω) is a section of the pull-back bundle $\pi^*\Psi_{\text{tr}}^{-\infty, \mathcal{E}\text{rf}}(N^+\partial X; \mathbf{E}_L)$ over $T^*\partial X \setminus 0$, and satisfies the following twisted homogeneity property: for every $t \in \mathbb{R}^+$, we have*

$$\hat{\mathbf{a}}_{L, t\eta} = t^{\mathfrak{s}L} \circ \hat{\mathbf{a}}_{L, \eta} \circ \lambda_{t^{-1}}^*.$$

Proof. It remains to prove twisted homogeneity. Using the coordinates chosen above, we have

$$\begin{aligned} \hat{\mathbf{a}}_{L, \eta} \circ \lambda_{t^{-1}}^* &= |\eta|^{\mathfrak{s}L} \left(\begin{array}{c} \left(\text{tr}_{\mu^1, \tilde{M}_{\mu^1}}^{\partial_x} \hat{k} \right) \left(t\tilde{x} |\eta|; \frac{\eta}{|\eta|} \right) \\ \vdots \\ \left(\text{tr}_{\mu^l, \tilde{M}_{\mu^l}}^{\partial_x} \hat{k} \right) \left(t\tilde{x} |\eta|; \frac{\eta}{|\eta|} \right) \end{array} \right) |\eta| t d\tilde{x} \\ &= t^{-\mathfrak{s}L} |t\eta|^{\mathfrak{s}L} \left(\begin{array}{c} \left(\text{tr}_{\mu^1, \tilde{M}_{\mu^1}}^{\partial_x} \hat{k} \right) \left(\tilde{x} |t\eta|; \frac{\eta}{|\eta|} \right) \\ \vdots \\ \left(\text{tr}_{\mu^l, \tilde{M}_{\mu^l}}^{\partial_x} \hat{k} \right) \left(\tilde{x} |t\eta|; \frac{\eta}{|\eta|} \right) \end{array} \right) |t\eta| d\tilde{x} \\ &= t^{-\mathfrak{s}L} \hat{\mathbf{a}}_{L, t\eta} \end{aligned}$$

thus proving the claim. \square

Remark 3.19. We remark that, for generic L , the Bessel trace family $\eta \mapsto \hat{\mathbf{a}}_{L, \eta}$ is *not* homogeneous. This phenomenon is inescapable when the critical strip contains multiple indicial roots, some critical indicial roots have non-zero multiplicities, or there exist pairs of critical indicial roots differing by integers. For example, in the simplest case where L is genuinely elliptic of order m , so that $x^m L$ is 0-elliptic with indicial roots $0, \dots, m-1$, the trace map for L associated to a weight $\delta < 0$ is twisted homogeneous unless the weights > 0 are injective.

3.4. Solution of the model problem. Let's recap the situation. Given an elliptic boundary condition \mathbf{Q} for L relative to the weight δ , we can formulate the ‘‘Bessel model problem’’ at any covector $\eta \in T_p^*\partial X \setminus 0$.

Problem 3.20. Given a function $v \in x^\delta H_b^\infty(N_p^+\partial X)$ and a vector $\varphi \in (\pi^*\mathbf{W})_\eta = \mathbf{W}_p$, find a function $u \in x^\delta H_b^\infty(N_p^+\partial X)$ such that

$$\begin{cases} \hat{N}_\eta(L) u &= v \\ \sigma_\eta(\mathbf{Q}) \hat{\mathbf{a}}_{L, \eta} u &= \varphi \end{cases}.$$

Naturally, we would like to solve the model problem, i.e. invert the map $\hat{N}_\eta(L) \oplus \sigma_\eta(\mathbf{Q}) \hat{\mathbf{a}}_{L, \eta}$, in such a way that the inverse depends smoothly on p and η and possesses the correct homogeneity properties in η . We have discussed above that the Bessel family $\eta \mapsto \hat{N}_\eta(L)$ is homogeneous of degree 0 in η , i.e.

$$\hat{N}_{t\eta}(L) = \lambda_t^* \circ \hat{N}_\eta(L) \circ \lambda_{t^{-1}}^*$$

for every $t > 0$. Moreover, we have discovered that the Bessel trace family $\eta \mapsto \hat{\mathbf{a}}_{L,\eta}$ is *twisted homogeneous of degree \mathfrak{s}_L* , in the sense that

$$\hat{\mathbf{a}}_{L,t\eta} = t^{\mathfrak{s}_L} \circ \hat{\mathbf{a}}_{L,\eta} \circ \lambda_{t^{-1}}^*.$$

We remind the reader that

$$\mathfrak{s}_L = \bigoplus_{\mu \text{ critical}} \mathfrak{s}_{\mu, \tilde{M}_\mu}$$

is the canonical endomorphism of \mathbf{E}_L induced by the action of the canonical inward-pointing dilation invariant operator $x\partial_x$ on the fibers $N^+\partial X$. Moreover, the eigenvalues of \mathfrak{s}_L are the critical indicial roots of L , and are therefore constant along ∂X .

In view of the twisted homogeneity property of the Bessel trace family $\hat{\mathbf{a}}_L$, it seems natural to ask a similar homogeneity property for the principal symbol $\sigma(\mathbf{Q})$. Abstracting, we formulate the following

Definition 3.21. Let \mathbf{E}, \mathbf{F} be smooth vector bundles over ∂X , equipped with smooth endomorphisms \mathbf{a}, \mathbf{b} with constant eigenvalues. We say that a smooth section

$$S : T^*\partial X \setminus 0 \rightarrow \pi^* \text{hom}(\mathbf{E}, \mathbf{F})$$

is *fibrewise twisted homogeneous of degree (\mathbf{a}, \mathbf{b})* if, for every $t \in \mathbb{R}^+$ and every $\eta \in T^*\partial X \setminus 0$, we have

$$S_{t\eta} = t^{-\mathbf{b}} \circ S_\eta \circ t^{\mathbf{a}}.$$

Remark 3.22. As already anticipated, in §4 we will develop an alternative version of the 0-calculus which contains naturally the trace map \mathbf{A}_L and similar objects. As part of the calculus, we will develop a calculus of pseudodifferential operators on bundles over ∂X whose principal symbols are fibrewise twisted homogeneous. In fact, the boundary calculus presented in this paper is a particularly simple subcalculus of the calculus of pseudodifferential operators with variable orders introduced by Krainer and Mendoza in [KM15]. The aim of Krainer and Mendoza was precisely to formulate elliptic boundary problems for elliptic edge operators. Our analysis is greatly simplified by the fact that we only allow twisting endomorphisms with constant eigenvalues. The result of this simplification is that our boundary calculus is essentially a mild generalization of the usual Douglis–Nirenberg calculus. This is of course strictly related to the fact that we only consider 0-elliptic operators with constant indicial roots.

Since the precise formulation of the twisted boundary calculus is somewhat delicate, we postpone it to later sections, and we assume that our elliptic boundary condition \mathbf{Q} takes values in sections of a bundle \mathbf{W} equipped with an endomorphism $\mathbf{t} : \mathbf{W} \rightarrow \mathbf{W}$ with constant eigenvalues, and that its principal symbol $\eta \mapsto \sigma_\eta(\mathbf{Q})$ is twisted homogeneous of degree $(-\mathfrak{s}_L, \mathbf{t})$. We can now easily construct the inverse of the operator

$$\begin{pmatrix} \hat{N}_\eta(L) \\ \sigma_\eta(\mathbf{Q}) \hat{\mathbf{a}}_{L,\eta} \end{pmatrix}$$

in two steps.

- (1) Choose a smooth family

$$\hat{\mathbf{k}}_\eta : T^*\partial X \setminus 0 \rightarrow \pi^* \text{hom}(\mathbf{W}, \mathbf{E}_L),$$

twisted homogeneous of degree $(\mathbf{t}, -\mathfrak{s}_L)$, with the property that for every $\eta \in T^*\partial X \setminus 0$ the map $\sigma_\eta(\mathbf{Q}) \hat{\mathbf{k}}_\eta$ coincides with $1_{(\pi^*\mathbf{W})_\eta}$, and the map $\hat{\mathbf{k}}_\eta \sigma_\eta(\mathbf{Q})$ is a projector of $(\pi^*\mathbf{E}_L)_\eta$ onto \mathcal{C}_η (i.e. $\hat{\mathbf{k}}_\eta \sigma_\eta(\mathbf{Q})$ is idempotent and has range equal to \mathcal{C}_η). Note that this family exists thanks to the fact that $\sigma(\mathbf{Q})_\eta : (\pi^*\mathbf{E}_L)_\eta \rightarrow (\pi^*\mathbf{W})_\eta$ restricts to an isomorphism $\mathcal{C}_\eta \rightarrow (\pi^*\mathbf{W})_\eta$.

- (2) Construct the *Bessel Poisson* map $\hat{\mathbf{b}}_\eta : (\pi^*\mathbf{E}_L)_\eta \rightarrow x^\delta H_b^\infty(N_p^+\partial X)$ associated to the projector $\hat{\mathbf{k}}_\eta \sigma_\eta(\mathbf{Q})$, defined as follows: for every $\psi \in (\pi^*\mathbf{E}_L)_\eta$, $\hat{\mathbf{b}}_\eta \psi$ is the unique $x^\delta L_b^2$ solution of $\hat{N}_\eta(L)w = 0$ with trace $\hat{\mathbf{a}}_{L,\eta} w$ equal $\hat{\mathbf{k}}_\eta \sigma_\eta(\mathbf{Q}) \psi$. The map $\hat{\mathbf{b}}_\eta$ is well-defined exactly because $\hat{\mathbf{k}}_\eta \sigma_\eta(\mathbf{Q})$ is a projector onto the Calderón space \mathcal{C}_η , and $\hat{\mathbf{a}}_{L,\eta}$ restricts to an isomorphism between the kernel of $\hat{N}_\eta(L)$ and \mathcal{C}_η .

Then an easy computation shows that the inverse of

$$\begin{pmatrix} \hat{N}_\eta(L) \\ \sigma_\eta(\mathbf{Q}) \hat{\mathbf{a}}_{L,\eta} \end{pmatrix}$$

is precisely

$$(\hat{N}_\eta(G) \hat{\mathbf{b}}_\eta \hat{\mathbf{k}}_\eta),$$

where $\hat{N}_\eta(G)$ is the generalized inverse of $\hat{N}_\eta(L)$ and coincides with the Bessel operator of the generalized inverse G of L . In §6, the family $\hat{\mathbf{k}}_\eta$ will be realized as the principal symbol of an operator in our twisted boundary calculus. Similarly, our symbolic 0-calculus contains a class of *twisted symbolic 0-Poisson operators*, which by design come equipped with a Bessel family map; $\hat{\mathbf{b}}_\eta$ will be realized as the Bessel family of a twisted symbolic 0-Poisson operator.

To conclude the section, we clarify the behavior of the inverse $(\hat{N}_\eta(G) \hat{\mathbf{b}}_\eta \hat{\mathbf{k}}_\eta)$ as η varies. The Bessel generalized inverse $\hat{N}(G)$ was constructed in [Maz91], and its structure was clarified further in [Lau03, Hin23a]. We do not need to describe it in detail (it is again a fibrewise homogeneous section of a pull-back Fréchet bundle over $T^*\partial X \setminus 0$), it is sufficient to note that just like $\hat{N}(P_1)$ and $\hat{N}(L)$, $\hat{N}(G)$ is homogeneous in η of degree 0: for every $t \in \mathbb{R}^+$, we have

$$\hat{N}_{t\eta}(G) = \lambda_t^* \circ \hat{N}_\eta(G) \circ \lambda_{t^{-1}}^*.$$

Let's now describe the structure of $\hat{\mathbf{b}}_\eta$ in detail. Working again in coordinates centered at a point $p \in \partial X$ as in 3.3, let $\phi_i(x; \eta)$ be an orthonormal basis for the $x^\delta L_b^2$ kernel of $\hat{N}_\eta(L)$, so that

$$\phi_i(x; \eta) = \phi_i\left(|\eta|x; \frac{\eta}{|\eta|}\right) |\eta|^{-\delta}.$$

Denote by $\gamma_i(\eta) \in (\pi^* \mathbf{E}_L)_\eta = (\mathbf{E}_L)_p$ the trace of $\phi_i(x; \eta)$, i.e. $\gamma_i(\eta) = \hat{\mathbf{a}}_{L,\eta} \phi_i(\cdot; \eta)$. Observe that, by Lemma 3.16, we have

$$\begin{aligned} \gamma_i(t\eta) &= \hat{\mathbf{a}}_{L,t\eta} \phi_i(\cdot; t\eta) \\ &= \bigoplus_{\mu \text{ critical}} \text{tr}_{\mu, \tilde{M}_\mu}^{\partial_x} \phi_i\left(|\eta|tx; \frac{\eta}{|\eta|}\right) |t\eta|^{-\delta} \\ &= \bigoplus_{\mu \text{ critical}} \text{tr}_{\mu, \tilde{M}_\mu}^{\partial_x} \phi_i(tx; \eta) t^{-\delta} \\ &= t^{\mathbf{s}_L - \delta} \gamma_i(\eta). \end{aligned}$$

Now, let $\chi^i(\eta)$ be the element of $(\pi^* \mathbf{E}_L)_\eta^*$ sending a vector $v \in (\pi^* \mathbf{E}_L)_\eta$ to the coefficient of $\gamma_i(\eta)$ in the decomposition of $\hat{\mathbf{k}}_\eta \sigma_\eta(\mathbf{Q}) v$ in terms of the basis $\gamma_i(\eta)$. Then we have

$$\hat{\mathbf{k}}_\eta \sigma_\eta(\mathbf{Q}) = \sum_i \gamma_i(\eta) \otimes \chi^i(\eta).$$

Since $\sigma_\eta(\mathbf{Q})$ is twisted homogeneous of degree $(-\mathbf{s}_L, \mathbf{t})$, and $\hat{\mathbf{k}}_\eta$ is twisted homogeneous of degree $(\mathbf{t}, -\mathbf{s}_L)$, the composition $\hat{\mathbf{k}}_\eta \sigma_\eta(\mathbf{Q})$ is twisted homogeneous of degree $(-\mathbf{s}_L, -\mathbf{s}_L)$, and this implies that

$$\chi^i(t\eta) = \chi^i(\eta) t^{-\mathbf{s}_L + \delta}.$$

The Bessel Poisson map $\hat{\mathbf{b}}_\eta$ is then

$$\begin{aligned} \hat{\mathbf{b}}_\eta &= \sum_i \phi_i(x; \eta) \chi^i(\eta) \\ &= \sum_i \phi_i\left(x|\eta|; \frac{\eta}{|\eta|}\right) \chi^i\left(\frac{\eta}{|\eta|}\right) |\eta|^{-\mathbf{s}_L}. \end{aligned}$$

The fact that the maps $\phi_i(\tau; \hat{\eta})$ are in $\mathcal{A}_{\text{phg}}^{(\mathcal{E}_{\text{IF}}, \infty)}(\overline{\mathbb{R}}_1^1 \times S^{n-1})$ implies that

$$\sum_i \phi_i(\tau; \hat{\eta}) \chi^i(\hat{\eta}) \in \mathcal{A}_{\text{phg}}^{(\mathcal{E}_{\text{IF}}, \infty)}(\overline{\mathbb{R}}_1^1 \times S^{n-1}; \mathbf{E}_p^*).$$

To interpret $\hat{\mathbf{b}}_\eta$ invariantly, we proceed analogously to the case of the Bessel trace map $\hat{\mathbf{a}}_{L,\eta}$.

Definition 3.23. Let \mathcal{F} be an index set. We denote by $\Psi_{\mathbb{P}}^{-\infty, \mathcal{F}}(\mathbb{R}_1^1)$ the space of functions $\mathcal{A}_{\text{phg}}^{(\mathcal{F}, \infty)}(\overline{\mathbb{R}_1^1})$, interpreted as Schwartz kernels of operators $B : \mathbb{C} \rightarrow C^{-\infty}(\overline{\mathbb{R}_1^1})$.

Again, the representation

$$\begin{aligned} \mathbb{R}^+ &\rightarrow \text{GL}\left(\Psi_{\mathbb{P}}^{-\infty, \mathcal{F}}(\mathbb{R}_1^1)\right) \\ t &\mapsto (B \mapsto \lambda_t^* \circ B) \end{aligned}$$

allows us to define the Fréchet bundle $\Psi_{\mathbb{P}}^{-\infty, \mathcal{F}}(N^+\partial X) \rightarrow \partial X$ with typical fiber $\Psi_{\mathbb{P}}^{-\infty, \mathcal{F}}(\mathbb{R}_1^1)$. The computations above then show that

Proposition 3.24. *The Bessel Poisson family $\eta \mapsto \hat{\mathbf{b}}_{\eta}$ constructed above is a section of the pull-back Fréchet bundle $\pi^*\Psi_{\mathbb{P}}^{-\infty, \mathcal{E}\text{if}}(N^+\partial X; \mathbf{E}_L^*)$ over $T^*\partial X \setminus 0$, with the following twisted homogeneity property: for every $t \in \mathbb{R}^+$ and every $\eta \in T^*\partial X \setminus 0$, we have*

$$\hat{\mathbf{b}}_{t\eta} = \lambda_t^* \circ \hat{\mathbf{b}}_{\eta} \circ t^{-\mathfrak{s}L}.$$

4. THE SYMBOLIC 0-CALCULUS

This section and the next form the core of the paper. We will formulate the calculus which we shall use in §6 to construct the parametrix for our elliptic boundary value problem. We will also describe in detail the relation between our calculus, and the 0-calculus recalled in §2.

Our calculus consists of several components:

- (1) classes $\hat{\Psi}_{0\text{tr}}^{-\infty, \bullet}(X, \partial X)$ and $\hat{\Psi}_{0\mathbb{P}}^{-\infty, \bullet}(\partial X, X)$ of *symbolic 0-trace and 0-Poisson* operators;
- (2) classes $\hat{\Psi}_0^{-\infty, \bullet}(X)$ and $\hat{\Psi}_{0b}^{-\infty, \bullet}(X)$ of *0-interior and 0b-interior* operators;
- (3) variants $\hat{\Psi}_{0\text{tr}}^{-\infty, \bullet, \mathfrak{s}}(X; \partial X, \mathbf{E})$ and $\hat{\Psi}_{0\mathbb{P}}^{-\infty, \bullet, \mathfrak{s}}(\partial X, \mathbf{E}; X)$ of the classes of symbolic 0-trace and 0-Poisson operators, which are “twisted” by a vector bundle $\mathbf{E} \rightarrow \partial X$ equipped with an endomorphism \mathfrak{s} with constant eigenvalues;
- (4) a class of pseudodifferential operators on ∂X $\Psi_{\text{phg}}^{\bullet, (\mathfrak{s}, \mathfrak{t})}(\partial X; \mathbf{E}, \mathbf{F})$, called the *twisted boundary calculus*, acting between sections of vector bundles equipped with endomorphisms with constant eigenvalues.

The classes of operators recalled in §2 are all characterized as Schwartz kernels which lift to polyhomogeneous right densities on appropriate blow-ups of the double space. Instead, the classes in our calculus will be characterized (locally near $\partial\Delta$) as oscillatory integrals of *symbols* which lift to polyhomogeneous functions on appropriate blown-up model spaces. Since our approach is local, the theory involves several familiar steps (e.g. left and right reductions, asymptotic expansions of symbols, diffeomorphism invariance etc.) from the standard theory of pseudodifferential operators on closed manifolds. Most of these arguments are in fact essentially identical to the traditional arguments for pseudodifferential theory on closed manifolds, so we decided to omit the ones which do not present significant differences with the standard theory.

4.1. Definitions and relation with the 0-calculus.

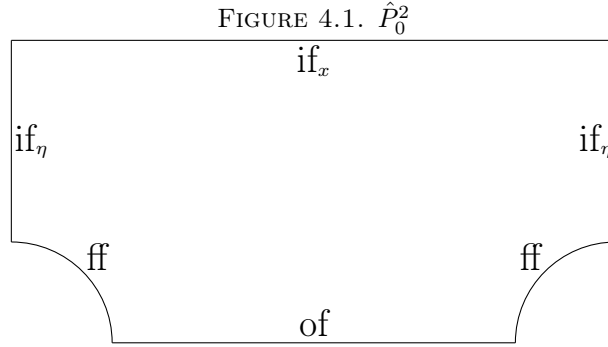
4.1.1. *Symbolic 0-Poisson operators.* We start with symbolic 0-Poisson operators. First, we introduce the relevant model space. Define $\hat{P}^2 = \overline{\mathbb{R}_1^1} \times \overline{\mathbb{R}^n}$ with coordinates (x, η) . This space should be thought of as the “frequency counterpart” of the model space P^2 used in §2.3.2 to define the class $\Psi_{0\mathbb{P}, \mathcal{S}}^{-\infty, \bullet}(\mathbb{R}^n, \mathbb{R}^{n+1})$. Like P^2 , \hat{P}^2 has three boundary hyperfaces

$$\mathbf{of} = \{x = 0\}, \mathbf{if}_{\eta} = \{|\eta| = \infty\}, \mathbf{if}_x = \{x = \infty\}.$$

As in §2.3.2, \mathbf{of} stands for “original face”, while \mathbf{if} stands for “infinity face”. We now introduce the blow-up

$$\hat{P}_0^2 = \left[\hat{P}^2 : \{x = 0, |\eta| = \infty\} \right].$$

This space has four boundary hyperfaces \mathbf{of} , \mathbf{ff} , \mathbf{if}_{η} , \mathbf{if}_x , where again \mathbf{ff} stands for “front face”. The other faces are the lifts of the corresponding faces of \hat{P}^2 , while \mathbf{ff} is the new face obtained from the blow-up. The space \hat{P}_0^2 is represented in Figure 4.1.



Definition 4.1. (0-Poisson symbols) Let $\mathcal{E} = (\mathcal{E}_{\text{of}}, \mathcal{E}_{\text{ff}})$ be a pair of index sets. We define

$$S_{0\text{P},\mathcal{S}}^{-\infty,\mathcal{E}}(\mathbb{R}^k; \mathbb{R}_1^{n+1}) = \mathcal{S}(\mathbb{R}^k) \hat{\otimes} \mathcal{A}_{\text{phg}}^{(\mathcal{E}_{\text{of}}, \mathcal{E}_{\text{ff}}, \infty, \infty)}(\hat{P}_0^2)$$

$$S_{\text{P},\mathcal{S}}^{-\infty,\mathcal{E}_{\text{of}}}(\mathbb{R}^k; \mathbb{R}_1^{n+1}) = \mathcal{S}(\mathbb{R}^k) \hat{\otimes} \mathcal{A}_{\text{phg}}^{(\mathcal{E}_{\text{of}}, \infty, \infty)}(\hat{P}_0^2).$$

We call the elements of $S_{0\text{P},\mathcal{S}}^{-\infty,\mathcal{E}}(\mathbb{R}^k; \mathbb{R}_1^{n+1})$ (resp. $S_{\text{P},\mathcal{S}}^{-\infty,\mathcal{E}_{\text{of}}}(\mathbb{R}^k; \mathbb{R}_1^{n+1})$) 0-Poisson (resp. residual Poisson) symbols.

We now define the class of *local symbolic 0-Poisson operators*. These operators are obtained as *left quantizations* of 0-Poisson symbols. More precisely, denote by Op_L^{P} the “left Poisson quantization” map

$$\text{Op}_L^{\text{P}} : S_{0\text{P},\mathcal{S}}^{-\infty,\mathcal{E}}(\mathbb{R}^n; \mathbb{R}_1^{n+1}) \times \mathcal{S}(\mathbb{R}^n) \rightarrow \mathcal{A}_{\text{phg}}^{(\mathcal{E}_{\text{if}}, \infty, \infty)}(\overline{\mathbb{R}}_1^1 \times \overline{\mathbb{R}}^n)$$

$$(b(y; x, \eta), u(y)) \mapsto \frac{1}{(2\pi)^n} \int e^{iy\eta} b(y; x, \eta) \hat{u}(\eta) d\eta.$$

Let’s check that this map is well-defined. Since $u(y) \in \mathcal{S}(\mathbb{R}^n)$, its Fourier transform $\hat{u}(\eta)$ is in $\mathcal{S}(\mathbb{R}^n)$. Seeing $\hat{u}(\eta)$ as a function on $\overline{\mathbb{R}}^n \times \hat{P}^2$ (i.e. pulling $\hat{u}(\eta)$ back via the canonical projection $\overline{\mathbb{R}}^n \times \hat{P}^2 \rightarrow \overline{\mathbb{R}}^n$ given by $(y; x, \eta) \mapsto \eta$), $\hat{u}(\eta)$ is in $C^\infty(\overline{\mathbb{R}}^n) \hat{\otimes} \mathcal{A}_{\text{phg}}^{(0,0,\infty)}(\hat{P}^2)$. By the Pull-back Theorem, its lift to $\overline{\mathbb{R}}^n \times \hat{P}_0^2$ is then in $C^\infty(\overline{\mathbb{R}}^n) \hat{\otimes} \mathcal{A}_{\text{phg}}^{(0,\infty,0,\infty)}(\hat{P}_0^2)$. Therefore, since $b \in S_{0\text{P},\mathcal{S}}^{-\infty,\mathcal{E}}(\mathbb{R}^n; \mathbb{R}_1^{n+1}) = \mathcal{S}(\mathbb{R}^n) \hat{\otimes} \mathcal{A}_{\text{phg}}^{(\mathcal{E}_{\text{if}}, \mathcal{E}_{\text{ff}}, \infty, \infty)}(\hat{P}_0^2)$ the product $b(y; x, \eta) \hat{u}(\eta)$ is in $\mathcal{S}(\mathbb{R}^n) \hat{\otimes} \mathcal{A}_{\text{phg}}^{(\mathcal{E}_{\text{if}}, \infty, \infty, \infty)}(\hat{P}_0^2)$, which coincides with $\mathcal{S}(\mathbb{R}^n) \hat{\otimes} \mathcal{A}_{\text{phg}}^{(\mathcal{E}_{\text{if}}, \infty)}(\overline{\mathbb{R}}_1^1) \hat{\otimes} \mathcal{S}(\mathbb{R}^n)$. Therefore, applying the inverse Fourier transform $\frac{1}{(2\pi)^n} \int e^{iy\eta} \cdot d\eta$, we obtain an element of $\mathcal{A}_{\text{phg}}^{(\mathcal{E}_{\text{if}}, \infty)}(\overline{\mathbb{R}}_1^1) \hat{\otimes} \mathcal{S}(\mathbb{R}^n) = \mathcal{A}_{\text{phg}}^{(\mathcal{E}_{\text{if}}, \infty, \infty)}(\overline{\mathbb{R}}_1^1 \times \overline{\mathbb{R}}^n)$.

As in §2.3.2, we denote by $\text{Op}(\mathbb{R}^n, \mathbb{R}_1^{n+1})$ the class of operators $\mathcal{S}(\mathbb{R}^n) \rightarrow C^{-\infty}(\overline{\mathbb{R}}_1^1 \times \overline{\mathbb{R}}^n)$. Then the left Poisson quantization map defined above determines a continuous linear map

$$\text{Op}_L^{\text{P}} : S_{0\text{P},\mathcal{S}}^{-\infty,\mathcal{E}}(\mathbb{R}^n; \mathbb{R}_1^{n+1}) \rightarrow \text{Op}(\mathbb{R}^n, \mathbb{R}_1^{n+1})$$

given by

$$b(y; x, \eta) \mapsto \left[\frac{1}{(2\pi)^n} \int e^{i(y-\tilde{y})\eta} b(y; x, \eta) d\eta \right] d\tilde{y}.$$

Definition 4.2. (Local symbolic 0-Poisson operators) We denote by $\hat{\Psi}_{0\text{P},\mathcal{S}}^{-\infty,\mathcal{E}}(\mathbb{R}^n, \mathbb{R}_1^{n+1})$ (note the hat!) the subclass of $\text{Op}(\mathbb{R}^n, \mathbb{R}_1^{n+1})$ consisting of operators of the form $\text{Op}_L^{\text{P}}(b)$, with $b \in S_{0\text{P},\mathcal{S}}^{-\infty,\mathcal{E}}(\mathbb{R}^n; \mathbb{R}_1^{n+1})$. We call its elements *local symbolic 0-Poisson operators*.

We now wish to compare the classes $\Psi_{0\text{P},\mathcal{S}}^{-\infty,\bullet}(\mathbb{R}^n, \mathbb{R}_1^{n+1})$ and $\hat{\Psi}_{0\text{P},\mathcal{S}}^{-\infty,\bullet}(\mathbb{R}^n, \mathbb{R}_1^{n+1})$. Observe that, if $B = \text{Op}_L^{\text{P}}(b)$ for some $b \in S_{0\text{P},\mathcal{S}}^{-\infty,\mathcal{E}}(\mathbb{R}^n; \mathbb{R}_1^{n+1})$, then the Schwartz kernel of B is $B(y; x, y - \tilde{y}) d\tilde{y}$, where $B(y; x, Y)$ is the inverse Fourier transform of $b(y; x, \eta)$ in the η variable. Therefore, we need to understand how the Fourier transform in the η variables behaves on functions on the model space \hat{P}_0^2 . Luckily for us, this problem was considered and solved before by Hintz in [Hin23b]:

Proposition 4.3. (Hintz, Propositions 2.28 and 2.29 of [Hin23b]) Consider the space $P^2 = \overline{\mathbb{R}}_1^1 \times \overline{\mathbb{R}}^n$ with coordinates (x, Y) , and the space $\hat{P} = \overline{\mathbb{R}}_1^1 \times \overline{\mathbb{R}}^n$ with coordinates (x, η) . Then:

- (1) The Fourier transform in the Y variables extends from $\dot{C}^\infty(P^2)$ to a continuous linear map

$$\mathcal{A}_{\text{phg}}^{(\mathcal{E}_{\text{of}}, \mathcal{E}_{\text{ff}}^{-n, \infty, \infty})}(P_0^2) \rightarrow \mathcal{A}_{\text{phg}}^{(\mathcal{E}_{\text{of}} \cup \mathcal{E}_{\text{ff}}, \mathcal{E}_{\text{ff}}, \infty, \infty)}(\hat{P}_0^2).$$

- (2) The inverse Fourier transform in the η variables extends from $\dot{C}^\infty(\hat{P}^2)$ to a continuous linear map

$$\mathcal{A}_{\text{phg}}^{(\mathcal{E}_{\text{of}}, \mathcal{E}_{\text{ff}}, \infty, \infty)}(\hat{P}_0^2) \rightarrow \mathcal{A}_{\text{phg}}^{(\mathcal{E}_{\text{of}}, (\mathcal{E}_{\text{ff}}^{-n}) \cup \mathcal{E}_{\text{of}}, \infty, \infty)}(P_0^2).$$

From this proposition, we immediately obtain the following

Corollary 4.4. Let $\mathcal{E} = (\mathcal{E}_{\text{of}}, \mathcal{E}_{\text{ff}})$ be a pair of index sets. Then:

- (1) the space $\hat{\Psi}_{0P, S}^{-\infty, (\mathcal{E}_{\text{of}}, \infty)}(\mathbb{R}^n, \mathbb{R}_1^{n+1})$ coincides with $\Psi_{P, S}^{-\infty, \mathcal{E}_{\text{of}}}(\mathbb{R}^n, \mathbb{R}_1^{n+1})$;
- (2) the space $\hat{\Psi}_{0P, S}^{-\infty, \mathcal{E}}(\mathbb{R}^n, \mathbb{R}_1^{n+1})$ is contained in $\Psi_{0P, S}^{-\infty, (\mathcal{E}_{\text{of}}, \mathcal{E}_{\text{ff}} \cup (\mathcal{E}_{\text{of}} + n))}(\mathbb{R}^n, \mathbb{R}_1^{n+1})$;
- (3) the space $\Psi_{0P, S}^{-\infty, \mathcal{E}}(\mathbb{R}^n, \mathbb{R}_1^{n+1})$ is contained in $\hat{\Psi}_{0P, S}^{-\infty, (\mathcal{E}_{\text{of}} \cup \mathcal{E}_{\text{ff}}, \mathcal{E}_{\text{ff}})}(\mathbb{R}^n, \mathbb{R}_1^{n+1})$.

Proof. Recall that $\Psi_{0P, S}^{-\infty, \mathcal{F}}(\mathbb{R}^n, \mathbb{R}_1^{n+1})$ is the space of operators with Schwartz kernel $K(y; x, y - \tilde{y}) d\tilde{y}$ with $K(y; x, Y) \in \mathcal{S}(\mathbb{R}^n) \hat{\otimes} \mathcal{A}_{\text{phg}}^{(\mathcal{F}_{\text{of}}, \mathcal{F}_{\text{ff}}^{-n, \infty, \infty})}(P_0^2)$, while in the case of $\Psi_{P, S}^{-\infty, \mathcal{F}_{\text{of}}}(\mathbb{R}^n, \mathbb{R}_1^{n+1})$ the function $K(y; x, Y)$ is in $\mathcal{S}(\mathbb{R}^n) \hat{\otimes} \mathcal{A}_{\text{phg}}^{(\mathcal{F}_{\text{of}}, \infty, \infty)}(P^2)$. The first point then follows immediately from the equality $S_{P, S}^{-\infty, \mathcal{E}_{\text{of}}}(\mathbb{R}^k; \mathbb{R}_1^{n+1}) = S_{0P, S}^{-\infty, (\mathcal{E}_{\text{of}}, \infty)}(\mathbb{R}^k; \mathbb{R}_1^{n+1})$ and the fact that the Fourier transform in the Y variables induces an isomorphism $\mathcal{A}_{\text{phg}}^{(\mathcal{F}_{\text{of}}, \infty, \infty)}(P^2) \rightarrow \mathcal{A}_{\text{phg}}^{(\mathcal{F}_{\text{of}}, \infty, \infty)}(\hat{P}^2)$, while the second and third points follow from Proposition 4.3. \square

We now pass to symbolic 0-Poisson operators on manifolds. We fix an auxiliary smooth vector field V on X transversal to ∂X and inward-pointing.

Definition 4.5. (Symbolic 0-Poisson operators) Let $\mathcal{E} = (\mathcal{E}_{\text{of}}, \mathcal{E}_{\text{ff}})$ be a pair of index sets. We denote by $\hat{\Psi}_{0P}^{-\infty, \mathcal{E}}(\partial X, X)$ the class of operators $B : C^\infty(\partial X) \rightarrow C^{-\infty}(X)$ with the following properties:

- (1) in the complement of any neighborhood of $\partial\Delta$, K_B coincides with a residual Poisson operator in $\Psi_{\text{phg}}^{-\infty, \mathcal{E}_{\text{of}}}(\partial X, X) = \mathcal{A}_{\text{phg}}^{\mathcal{E}_{\text{of}}}(X \times \partial X; \pi_R^* \mathcal{D}_{\partial X}^1)$;
- (2) for every $p \in \partial X$ and coordinates (x, y) for X centered at p and compatible with V (i.e. $Vx \equiv 1$ near p), B coincides near (p, p) with an element of $\hat{\Psi}_{0P, S}^{-\infty, \mathcal{E}}(\mathbb{R}^n, \mathbb{R}_1^{n+1})$; more precisely, there exists a 0-Poisson symbol $b(y; x, \eta)$ in $S_{0P, S}^{-\infty, \mathcal{E}}(\mathbb{R}^n; \mathbb{R}_1^{n+1})$ such that, in a neighborhood of the origin, we have

$$K_B \equiv K(y; x, y - \tilde{y}) d\tilde{y} = \frac{1}{(2\pi)^n} \int e^{i(y - \tilde{y})\eta} b(y; x, \eta) d\eta d\tilde{y}.$$

Of course, one needs to check that the definition above is well-posed. More specifically, one needs to check that the condition given in Point 2 does not depend on the choice of coordinates, and that the two conditions given in Points 1 and 2 are compatible with each other. Compatibility of Points 1 and 2 is guaranteed by Corollary 4.4: indeed, if $B \in \hat{\Psi}_{0P, S}^{-\infty, \mathcal{E}}(\mathbb{R}^n, \mathbb{R}_1^{n+1})$, then K_B is polyhomogeneous with index set \mathcal{E}_{of} at the original face, in the complement of any neighborhood of $\partial\Delta$. Coordinate invariance will be discussed in detail in §7.3 using standard pseudodifferential techniques.

To summarize the relation between the classes $\hat{\Psi}_{0P}^{-\infty, \bullet}(\partial X, X)$ and $\Psi_{0P}^{-\infty, \bullet}(\partial X, X)$, from the discussion above and the local characterization of $\Psi_{0P}^{-\infty, \bullet}(\partial X, X)$ provided in §2.3.2, we obtain the following

Corollary 4.6. Let $\mathcal{E} = (\mathcal{E}_{\text{of}}, \mathcal{E}_{\text{ff}})$ be a pair of index sets. Then:

- (1) the space $\hat{\Psi}_{0P}^{-\infty, (\mathcal{E}_{\text{of}}, \infty)}(\partial X, X)$ coincides with the space of residual Poisson operators $\Psi_P^{-\infty, \mathcal{E}_{\text{of}}}(\partial X, X)$;
- (2) the space $\hat{\Psi}_{0P}^{-\infty, \mathcal{E}}(\partial X, X)$ is contained in $\Psi_{0P, S}^{-\infty, (\mathcal{E}_{\text{of}}, \mathcal{E}_{\text{ff}} \cup (\mathcal{E}_{\text{of}} + n))}(\partial X, X)$;

(3) the space $\Psi_{0\text{P}}^{-\infty, \mathcal{E}}(\partial X, X)$ is contained in $\hat{\Psi}_{0\text{P}, \mathcal{S}}^{-\infty, (\mathcal{E}_{\text{of}} \bar{\cup} \mathcal{E}_{\text{ff}}, \mathcal{E}_{\text{ff}})}(\partial X, X)$.

4.1.2. *Symbolic 0-trace operators.* We consider now the case of symbolic 0-trace operators. These operators are essentially the formal adjoints of symbolic 0-Poisson operators, so we shall be brief.

Define the model space $\hat{T}^2 = \bar{\mathbb{R}}_1^1 \times \bar{\mathbb{R}}^n$, this time with coordinates (\tilde{x}, η) . This space is canonically diffeomorphic to the space T^2 considered in §2.3.2, and accordingly we call its three boundary hyperfaces

$$\mathbf{of} = \{\tilde{x} = 0\}, \mathbf{if}_\eta = \{|\eta| = \infty\}, \mathbf{if}_x = \{\tilde{x} = \infty\}.$$

We then define

$$\hat{T}_0^2 = \left[\hat{T}^2 : \{\tilde{x} = 0, |\eta| = \infty\} \right],$$

and we call its four boundary hyperfaces $\mathbf{of}, \mathbf{ff}, \mathbf{if}_\eta, \mathbf{if}_x$.

Definition 4.7. (0-trace symbols) Let $\mathcal{E} = (\mathcal{E}_{\text{of}}, \mathcal{E}_{\text{ff}})$ be a pair of index sets. We define

$$\begin{aligned} S_{0\text{tr}, \mathcal{S}}^{-\infty, \mathcal{E}}(\mathbb{R}^k; \mathbb{R}_1^{n+1}) &= \mathcal{S}(\mathbb{R}^k) \hat{\otimes} \mathcal{A}_{\text{phg}}^{(\mathcal{E}_{\text{of}}, \mathcal{E}_{\text{ff}} - 1, \infty, \infty)}(\hat{T}_0^2) \\ S_{\text{tr}, \mathcal{S}}^{-\infty, \mathcal{E}_{\text{of}}}(\mathbb{R}^k; \mathbb{R}_1^{n+1}) &= \mathcal{S}(\mathbb{R}^k) \hat{\otimes} \mathcal{A}_{\text{phg}}^{(\mathcal{E}_{\text{of}}, \infty, \infty)}(\hat{T}^2). \end{aligned}$$

We call the elements of $S_{0\text{tr}, \mathcal{S}}^{-\infty, \mathcal{E}}(\mathbb{R}^k; \mathbb{R}_1^{n+1})$ (resp. $S_{\text{tr}, \mathcal{S}}^{-\infty, \mathcal{E}_{\text{of}}}(\mathbb{R}^k; \mathbb{R}_1^{n+1})$) 0-trace (resp. residual trace) symbols.

Local symbolic 0-trace operators are defined as left quantizations of 0-trace operators. We define the *left trace quantization map*

$$\text{Op}_L^{\text{tr}} : S_{0\text{tr}, \mathcal{S}}^{-\infty, \mathcal{E}}(\mathbb{R}^n; \mathbb{R}_1^{n+1}) \times \dot{C}^\infty(\bar{\mathbb{R}}_1^1 \times \bar{\mathbb{R}}^n) \rightarrow \mathcal{S}(\mathbb{R}^n)$$

as

$$(a(y; \tilde{x}, \eta), u(x, y)) \mapsto \frac{1}{(2\pi)^n} \int e^{iy\eta} a(y; \tilde{x}, \eta) \hat{u}(\tilde{x}, \eta) d\tilde{x}d\eta.$$

Again let's check that the map is well-defined. If $u(x, y) \in \dot{C}^\infty(\bar{\mathbb{R}}_1^1 \times \bar{\mathbb{R}}^n)$, then its Fourier transform $\hat{u}(x, \eta)$ in the y variables is again in $\dot{C}^\infty(\bar{\mathbb{R}}_1^1 \times \bar{\mathbb{R}}^n)$ since $\dot{C}^\infty(\bar{\mathbb{R}}_1^1 \times \bar{\mathbb{R}}^n) = \dot{C}^\infty(\bar{\mathbb{R}}_1^1) \hat{\otimes} \mathcal{S}(\mathbb{R}^n)$. Now, pulling back $\hat{u}(\tilde{x}, \eta)$ to \hat{T}_0^2 , we get an element of $\dot{C}^\infty(\hat{T}_0^2)$. Multiplying it with $a(y; \tilde{x}, \eta)$, we get an element of $\dot{C}^\infty(\bar{\mathbb{R}}^n \times \hat{T}_0^2) = \mathcal{S}(\mathbb{R}^n) \hat{\otimes} \dot{C}^\infty(\bar{\mathbb{R}}_1^1) \hat{\otimes} \mathcal{S}(\mathbb{R}^n)$. Integrating in the \tilde{x} variable, we get a function of (y, η) in $\mathcal{S}(\mathbb{R}^n) \hat{\otimes} \mathcal{S}(\mathbb{R}^n)$. Finally, applying the operator $\frac{1}{(2\pi)^n} \int e^{iy\eta} \cdot d\eta$, we get a function in $\mathcal{S}(\mathbb{R}^n)$.

As in §2.3.2, we denote by $\text{Op}(\mathbb{R}_1^{n+1}, \mathbb{R}^n)$ the class of continuous linear maps $\dot{C}^\infty(\bar{\mathbb{R}}_1^1 \times \bar{\mathbb{R}}^n) \rightarrow \mathcal{S}'(\mathbb{R}^n)$. Then the left trace quantization map determines a continuous linear map

$$\begin{aligned} \text{Op}_L^{\text{tr}} : S_{0\text{tr}, \mathcal{S}}^{-\infty, \mathcal{E}}(\mathbb{R}^n; \mathbb{R}_1^{n+1}) &\rightarrow \text{Op}(\mathbb{R}_1^{n+1}, \mathbb{R}^n) \\ a(y; \tilde{x}, \eta) &\mapsto \frac{1}{(2\pi)^n} \int e^{i(y-\tilde{y})\eta} a(y; \tilde{x}, \eta) d\eta d\tilde{x}d\tilde{y} \end{aligned}$$

Definition 4.8. (Local symbolic 0-trace operators) We denote by $\hat{\Psi}_{0\text{tr}, \mathcal{S}}^{-\infty, \mathcal{E}}(\mathbb{R}_1^{n+1}, \mathbb{R}^n)$ the subspace $\text{Op}^{\text{tr}}(S_{0\text{tr}, \mathcal{S}}^{-\infty, \mathcal{E}}(\mathbb{R}^{2n}; \mathbb{R}_1^{n+1}))$ of $\text{Op}(\mathbb{R}_1^{n+1}, \mathbb{R}^n)$. We call its elements local *symbolic 0-trace operators*.

Using Proposition 4.3 exactly as in the Poisson case, we can describe the relationship between the classes $\hat{\Psi}_{0\text{tr}, \mathcal{S}}^{-\infty, (\mathcal{E}_{\text{of}}, \mathcal{E}_{\text{ff}})}(\mathbb{R}_1^{n+1}, \mathbb{R}^n)$ and $\Psi_{0\text{tr}, \mathcal{S}}^{-\infty, \bullet}(\mathbb{R}_1^{n+1}, \mathbb{R}^n)$.

Corollary 4.9. let $\mathcal{E} = (\mathcal{E}_{\text{of}}, \mathcal{E}_{\text{ff}})$ be a pair of index sets. Then:

- (1) the space $\hat{\Psi}_{0\text{tr}, \mathcal{S}}^{-\infty, (\mathcal{E}_{\text{of}}, \infty)}(\mathbb{R}_1^{n+1}, \mathbb{R}^n)$ coincides with $\Psi_{\text{tr}, \mathcal{S}}^{-\infty, \mathcal{E}_{\text{of}}}(\mathbb{R}_1^{n+1}, \mathbb{R}^n)$;
- (2) the space $\hat{\Psi}_{0\text{tr}, \mathcal{S}}^{-\infty, (\mathcal{E}_{\text{of}}, \mathcal{E}_{\text{ff}})}(\mathbb{R}_1^{n+1}, \mathbb{R}^n)$ is contained in $\Psi_{0\text{tr}, \mathcal{S}}^{-\infty, (\mathcal{E}_{\text{of}}, \tilde{\mathcal{E}}_{\text{ff}})}(\mathbb{R}_1^{n+1}, \mathbb{R}^n)$, where $\tilde{\mathcal{E}}_{\text{ff}} = \mathcal{E}_{\text{ff}} \bar{\cup} (\mathcal{E}_{\text{of}} + n + 1)$;
- (3) the space $\Psi_{0\text{tr}, \mathcal{S}}^{-\infty, (\mathcal{E}_{\text{of}}, \mathcal{E}_{\text{ff}})}(\mathbb{R}_1^{n+1}, \mathbb{R}^n)$ is contained in $A \in \hat{\Psi}_{0\text{tr}, \mathcal{S}}^{-\infty, (\tilde{\mathcal{E}}_{\text{of}}, \mathcal{E}_{\text{ff}})}(\mathbb{R}_1^{n+1}, \mathbb{R}^n)$, where $\tilde{\mathcal{E}}_{\text{of}} = \mathcal{E}_{\text{of}} \bar{\cup} (\mathcal{E}_{\text{ff}} - 1)$.

Let's pass to symbolic 0-trace operators on manifolds. Again, fix an auxiliary vector field V on X transversal to ∂X and inward-pointing.

Definition 4.10. (Symbolic 0-trace operators) Let $\mathcal{E} = (\mathcal{E}_{\text{of}}, \mathcal{E}_{\text{ff}})$ be a pair of index sets. We denote by $\hat{\Psi}_{0\text{tr}}^{-\infty, \mathcal{E}}(X, \partial X)$ the class of operators $A : \dot{C}^\infty(X) \rightarrow C^{-\infty}(\partial X)$ with the following properties:

- (1) in the complement of any neighborhood of $\partial\Delta$, K_A coincides with a residual trace operator in $\Psi_{\text{tr}}^{-\infty, \mathcal{E}_{\text{of}}}(X, \partial X) = \mathcal{A}_{\text{phg}}^{\mathcal{E}_{\text{of}}}(\partial X \times X; \pi_R^* \mathcal{D}_X^1)$;
- (2) for every $p \in \partial X$ and coordinates (x, y) for X centered at p and compatible with V (i.e. $Vx \equiv 1$ near p), A coincides near (p, p) with an element of $\hat{\Psi}_{0\text{tr}, S}^{-\infty, \mathcal{E}}(\mathbb{R}_1^{n+1}, \mathbb{R}^n)$; more precisely, there exists a 0-trace symbol $a(y; \tilde{x}, \eta)$ in $S_{0\text{tr}, S}^{-\infty, \mathcal{E}}(\mathbb{R}^n; \mathbb{R}_1^{n+1})$ such that, in a neighborhood of the origin, we have

$$K_A \equiv K(y; \tilde{x}, y - \tilde{y}) d\tilde{x}d\tilde{y} = \frac{1}{(2\pi)^n} \int e^{i(y-\tilde{y})\eta} a(y; \tilde{x}, \eta) d\eta d\tilde{x}d\tilde{y}.$$

As in the 0-Poisson case, the discussion above and the results of §2.3.2 imply the following

Corollary 4.11. Let $\mathcal{E} = (\mathcal{E}_{\text{of}}, \mathcal{E}_{\text{ff}})$ be a pair of index sets. Then:

- (1) the space $\hat{\Psi}_{0\text{tr}}^{-\infty, (\mathcal{E}_{\text{of}}, \infty)}(X, \partial X)$ coincides with $\Psi_{\text{tr}}^{-\infty, \mathcal{E}_{\text{of}}}(X, \partial X)$;
- (2) the space $\hat{\Psi}_{0\text{tr}}^{-\infty, (\mathcal{E}_{\text{of}}, \mathcal{E}_{\text{ff}})}(X, \partial X)$ is contained in $\Psi_{0\text{tr}}^{-\infty, (\mathcal{E}_{\text{of}}, \tilde{\mathcal{E}}_{\text{ff}})}(X, \partial X)$, where $\tilde{\mathcal{E}}_{\text{ff}} = \mathcal{E}_{\text{ff}} \cup (\mathcal{E}_{\text{of}} + n + 1)$;
- (3) the space $\Psi_{0\text{tr}}^{-\infty, (\mathcal{E}_{\text{of}}, \mathcal{E}_{\text{ff}})}(X, \partial X)$ is contained in $A \in \hat{\Psi}_{0\text{tr}}^{-\infty, (\tilde{\mathcal{E}}_{\text{of}}, \mathcal{E}_{\text{ff}})}(X, \partial X)$, where $\tilde{\mathcal{E}}_{\text{of}} = \mathcal{E}_{\text{of}} \cup (\mathcal{E}_{\text{ff}} - 1)$.

4.1.3. 0-interior and 0b-interior operators. We finally get to interior operators. As in the two previous cases, we start by introducing a model space $\hat{M}^2 = \overline{\mathbb{R}}_1^1 \times \overline{\mathbb{R}}_1^1 \times \overline{\mathbb{R}}^n$, with coordinates (x, \tilde{x}, η) . This space is the frequency counterpart of the model space M^2 used in §2.3.1 to define the local classes $\Psi_{0, S}^{-\infty, \bullet}(\mathbb{R}_1^{n+1})$ and $\Psi_{0b, S}^{-\infty, \bullet}(\mathbb{R}_1^{n+1})$. Analogously to M^2 , we denote by \mathbf{lf} , \mathbf{rf} , \mathbf{if}_η , \mathbf{if}_x , $\mathbf{if}_{\tilde{x}}$ the faces of \hat{M}^2 :

$$\begin{aligned} \mathbf{lf} &= \{x = 0\}, \mathbf{rf} = \{\tilde{x} = 0\} \\ \mathbf{if}_\eta &= \{|\eta| = \infty\}, \mathbf{if}_x = \{x = \infty\}, \mathbf{if}_{\tilde{x}} = \{\tilde{x} = \infty\}. \end{aligned}$$

Consider now the two blow-ups

$$\begin{aligned} \hat{M}_0^2 &= \left[\hat{M}^2 : \{x = \tilde{x} = 0\} \cap \{|\eta| = \infty\} \right] \\ \hat{M}_b^2 &= \left[\hat{M}^2 : \{x = \tilde{x} = 0\} \right]. \end{aligned}$$

The space \hat{M}_b^2 is canonically diffeomorphic to the model space M_b^2 used in §2.3.1 (see Figure 2.1), and therefore we call its boundary hyperfaces \mathbf{lf} , \mathbf{rf} , \mathbf{ff}_b , \mathbf{if}_η , \mathbf{if}_x , $\mathbf{if}_{\tilde{x}}$ in the same way. The space \hat{M}_0^2 is *not* diffeomorphic to the space M_0^2 used in §2.3.1; nevertheless, we call again 0-front face \mathbf{ff}_0 the new face obtained from the blow-up. The faces of \hat{M}_0^2 are ordered as \mathbf{lf} , \mathbf{rf} , \mathbf{ff}_0 , \mathbf{if}_η , \mathbf{if}_x , $\mathbf{if}_{\tilde{x}}$. Finally, we consider the iterated blow-up

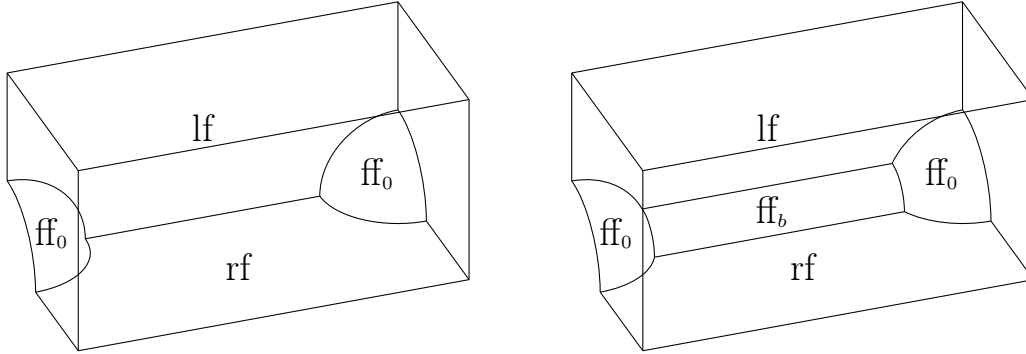
$$\begin{aligned} \hat{M}_{0b}^2 &= \left[\hat{M}_0^2 : \mathbf{lf} \cap \mathbf{rf} \right] \\ &= \left[\hat{M}_b^2 : \mathbf{ff}_b \cap \{|\eta| = \infty\} \right] \end{aligned}$$

and we call \mathbf{lf} , \mathbf{rf} , \mathbf{ff}_b , \mathbf{ff}_0 , \mathbf{if}_η , \mathbf{if}_x , $\mathbf{if}_{\tilde{x}}$ its faces, all obtained as lifts of the corresponding faces of \hat{M}_0^2 and \hat{M}_b^2 . The spaces \hat{M}_0^2 , \hat{M}_{0b}^2 are represented in Figure 4.2.

Definition 4.12. (0-interior and very residual symbols) Let $\mathcal{E} = (\mathcal{E}_{\mathbf{lf}}, \mathcal{E}_{\mathbf{rf}}, \mathcal{E}_{\mathbf{ff}_0})$ be a triple of index sets. We define

$$\begin{aligned} S_{0, S}^{-\infty, \mathcal{E}}(\mathbb{R}^k; \mathbb{R}_2^{n+2}) &= \mathcal{S}(\mathbb{R}^k) \hat{\otimes} \mathcal{A}_{\text{phg}}^{(\mathcal{E}_{\mathbf{lf}}, \mathcal{E}_{\mathbf{rf}}, \mathcal{E}_{\mathbf{ff}_0} - 1, \infty, \infty, \infty)}(\hat{M}_0^2) \\ S_S^{-\infty, (\mathcal{E}_{\mathbf{lf}}, \mathcal{E}_{\mathbf{rf}})}(\mathbb{R}^k; \mathbb{R}_2^{n+2}) &= \mathcal{S}(\mathbb{R}^k) \hat{\otimes} \mathcal{A}_{\text{phg}}^{(\mathcal{E}_{\mathbf{lf}}, \mathcal{E}_{\mathbf{rf}}, \infty, \infty, \infty)}(\hat{M}^2). \end{aligned}$$

We call the elements of $S_{0, S}^{-\infty, \mathcal{E}}(\mathbb{R}^k; \mathbb{R}_2^{n+2})$ 0-interior symbols, while the elements of $S_S^{-\infty, (\mathcal{E}_{\mathbf{lf}}, \mathcal{E}_{\mathbf{rf}})}(\mathbb{R}^k; \mathbb{R}_2^{n+2})$ will be called *very residual* symbols.

FIGURE 4.2. \hat{M}_0^2 and \hat{M}_{0b}^2


Definition 4.13. (*0b-interior and b-interior symbols*) Let $\mathcal{E} = (\mathcal{E}_{\text{lf}}, \mathcal{E}_{\text{rf}}, \mathcal{E}_{\text{ff}_b}, \mathcal{E}_{\text{ff}_0})$ be a quadruple of index sets. We define

$$S_{0b, \mathcal{S}}^{-\infty, \mathcal{E}}(\mathbb{R}^k; \mathbb{R}_2^{n+2}) = \mathcal{S}(\mathbb{R}^k) \hat{\otimes}_{\mathcal{A}_{\text{phg}}}^{(\mathcal{E}_{\text{lf}}, \mathcal{E}_{\text{rf}}, \mathcal{E}_{\text{ff}_b} - 1, \mathcal{E}_{\text{ff}_0} - 1, \infty, \infty, \infty)}(\hat{M}_{0b}^2)$$

$$S_{b, \mathcal{S}}^{-\infty, (\mathcal{E}_{\text{lf}}, \mathcal{E}_{\text{rf}}, \mathcal{E}_{\text{ff}_b})}(\mathbb{R}^k; \mathbb{R}_2^{n+2}) = \mathcal{S}(\mathbb{R}^k) \hat{\otimes}_{\mathcal{A}_{\text{phg}}}^{(\mathcal{E}_{\text{lf}}, \mathcal{E}_{\text{rf}}, \mathcal{E}_{\text{ff}_b} - 1, \infty, \infty, \infty)}(\hat{M}_b^2).$$

We call the elements of $S_{0b, \mathcal{S}}^{-\infty, \mathcal{E}}(\mathbb{R}^k; \mathbb{R}_2^{n+2})$ *0b-interior symbols*, while the elements of $S_{b, \mathcal{S}}^{-\infty, (\mathcal{E}_{\text{lf}}, \mathcal{E}_{\text{rf}})}(\mathbb{R}^k; \mathbb{R}_2^{n+2})$ will be called *b-interior symbols*.

The local version of the classes of 0-interior and 0b-interior operators, is again obtained by taking left quantizations of 0-interior and 0b-interior symbols. The left interior quantization map

$$(p(y; x, \tilde{x}, \eta), u(x, y)) \mapsto \frac{1}{(2\pi)^n} \int e^{iy\eta} p(y; x, \tilde{x}, \eta) \hat{u}(\tilde{x}, \eta) d\eta d\tilde{x}$$

determines continuous bilinear maps

$$\text{Op}_L^{\text{int}} : S_{0b, \mathcal{S}}^{-\infty, \mathcal{E}}(\mathbb{R}^n; \mathbb{R}_2^{n+2}) \times \dot{C}^\infty(\overline{\mathbb{R}}_1^1 \times \overline{\mathbb{R}}^n) \rightarrow \mathcal{A}_{\text{phg}}^{(\mathcal{E}_{\text{lf}}, \infty, \infty)}(\overline{\mathbb{R}}_1^1 \times \overline{\mathbb{R}}^n)$$

$$\text{Op}_L^{\text{int}} : S_{0, \mathcal{S}}^{-\infty, \mathcal{E}}(\mathbb{R}^n; \mathbb{R}_2^{n+2}) \times \dot{C}^\infty(\overline{\mathbb{R}}_1^1 \times \overline{\mathbb{R}}^n) \rightarrow \mathcal{A}_{\text{phg}}^{(\mathcal{E}_{\text{lf}}, \infty, \infty)}(\overline{\mathbb{R}}_1^1 \times \overline{\mathbb{R}}^n).$$

Denote by $\text{Op}(\overline{\mathbb{R}}_1^{n+1})$ the class of continuous linear operators $\dot{C}^\infty(\overline{\mathbb{R}}_1^1 \times \overline{\mathbb{R}}^n) \rightarrow C^{-\infty}(\overline{\mathbb{R}}_1^1 \times \overline{\mathbb{R}}^n)$.

Definition 4.14. (*Local 0-interior and 0b-interior operators*) We denote by $\hat{\Psi}_{0, \mathcal{S}}^{-\infty, \mathcal{E}}(\overline{\mathbb{R}}_1^{n+1})$ (resp. $\hat{\Psi}_{0b, \mathcal{S}}^{-\infty, \mathcal{E}}(\overline{\mathbb{R}}_1^{n+1})$) the class of operators $\text{Op}_L^{\text{int}}(p)$, with $p \in S_{0, \mathcal{S}}^{-\infty, \mathcal{E}}(\mathbb{R}^n; \mathbb{R}_2^{n+2})$ (resp. $p \in S_{0b, \mathcal{S}}^{-\infty, \mathcal{E}}(\mathbb{R}^n; \mathbb{R}_2^{n+2})$). We call its elements *local 0-interior* (resp. *0b-interior*) operators.

We now discuss the relation between the classes $\hat{\Psi}_{0, \mathcal{S}}^{-\infty, \bullet}(\overline{\mathbb{R}}_1^{n+1})$, $\hat{\Psi}_{0b, \mathcal{S}}^{-\infty, \bullet}(\overline{\mathbb{R}}_1^{n+1})$ and the classes $\Psi_{0, \mathcal{S}}^{-\infty, \bullet}(\overline{\mathbb{R}}_1^{n+1})$, $\Psi_{0b, \mathcal{S}}^{-\infty, \bullet}(\overline{\mathbb{R}}_1^{n+1})$ described in §2.3.1. Again, we need to understand how the Fourier transform in the η variables behaves on polyhomogeneous functions on \hat{M}_0^2 and \hat{M}_{0b}^2 . The key result is the “0b-version” of Proposition 4.3:

Proposition 4.15.

- (1) *The Fourier transform in the Y variables extends from $\dot{C}^\infty(M^2)$ to a continuous linear map*

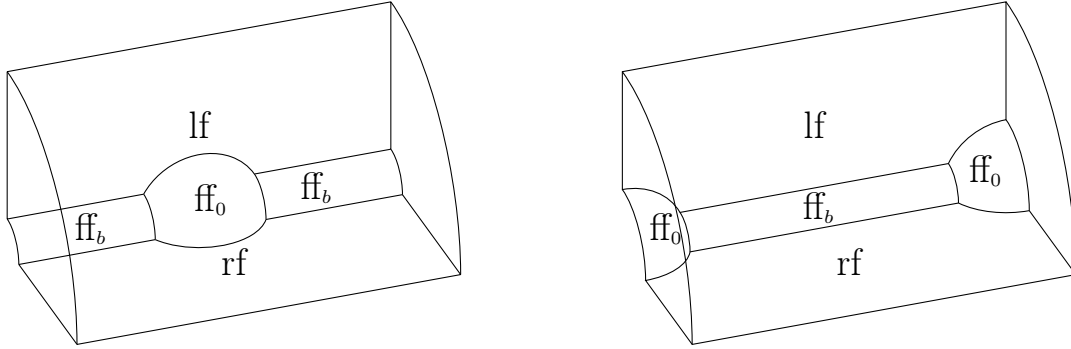
$$\mathcal{A}_{\text{phg}}^{(\mathcal{E}_{\text{lf}}, \mathcal{E}_{\text{rf}}, \mathcal{E}_{\text{ff}_b} - 1, \mathcal{E}_{\text{ff}_0} - n - 1, \infty, \infty, \infty)}(M_{0b}^2) \rightarrow \mathcal{A}_{\text{phg}}^{(\mathcal{E}_{\text{lf}}, \mathcal{E}_{\text{rf}}, \tilde{\mathcal{E}}_{\text{ff}_b} - 1, \mathcal{E}_{\text{ff}_0} - 1, \infty, \infty, \infty)}(\hat{M}_{0b}^2),$$

where $\tilde{\mathcal{E}}_{\text{ff}_b} = \mathcal{E}_{\text{ff}_b} \cup \mathcal{E}_{\text{ff}_0}$.

- (2) *The inverse Fourier transform in the η variables extends from $\dot{C}^\infty(\hat{M}^2)$ to a continuous linear map*

$$\mathcal{A}_{\text{phg}}^{(\mathcal{E}_{\text{lf}}, \mathcal{E}_{\text{rf}}, \mathcal{E}_{\text{ff}_b} - 1, \mathcal{E}_{\text{ff}_0} - 1, \infty, \infty, \infty)}(\hat{M}_{0b}^2) \rightarrow \mathcal{A}_{\text{phg}}^{(\mathcal{E}_{\text{lf}}, \mathcal{E}_{\text{rf}}, \mathcal{E}_{\text{ff}_b} - 1, \tilde{\mathcal{E}}_{\text{ff}_0} - n - 1, \infty, \infty, \infty)}(M_{0b}^2)$$

where $\tilde{\mathcal{E}}_{\text{ff}_0} = \mathcal{E}_{\text{ff}_0} \cup (\mathcal{E}_{\text{ff}_b} + n)$.

FIGURE 4.3. $M_{0b^2, \text{alt}}$ and $\hat{M}_{0b^2, \text{alt}}$


Proof. The result follows easily by Proposition 4.3 if we use alternative compactifications $\hat{M}_{0b, \text{alt}}^2$ and $M_{0b, \text{alt}}^2$ of the open manifolds with corners $\hat{M}_{0b}^2 \setminus (\mathbf{if}_x \cup \mathbf{if}_{\tilde{x}})$ and $M_{0b}^2 \setminus (\mathbf{if}_x \cup \mathbf{if}_{\tilde{x}})$. These compactifications are obtained as follows. Instead of starting with the model spaces \hat{M}^2 and M^2 , both diffeomorphic to $\overline{\mathbb{R}}_1^1 \times \overline{\mathbb{R}}_1^1 \times \overline{\mathbb{R}}^n$, we start with the model spaces \hat{M}_{alt}^2 and M_{alt}^2 diffeomorphic to $\overline{\mathbb{R}}_2^2 \times \overline{\mathbb{R}}^n$. We can now blow up the locus $x = \tilde{x} = 0$ and obtain the spaces $\hat{M}_{b, \text{alt}}^2$ and $M_{b, \text{alt}}^2$, both diffeomorphic to $[\overline{\mathbb{R}}_2^2 : 0] \times \overline{\mathbb{R}}^n$. Replacing the coordinates x, \tilde{x} with polar coordinates ρ, θ for $\overline{\mathbb{R}}_2^2$, i.e. setting

$$\rho = \sqrt{x^2 + \tilde{x}^2}, \theta_0 = \frac{x}{\rho}, \theta_1 = \frac{\tilde{x}}{\rho},$$

we get a diffeomorphism $[\overline{\mathbb{R}}_2^2 : 0] \simeq [0, 1] \times \overline{\mathbb{R}}_1^1$ (the front face is the quarter circle $S_2^1 = \{(\theta_0, \theta_1) \in S^1 : \theta_0 \geq 0, \theta_1 \geq 0\}$), and we identify it with $[0, 1]$ via the projection $(\theta_0, \theta_1) \mapsto \theta_0$. The space $\hat{M}_{0b, \text{alt}}^2$ is obtained from $\hat{M}_{b, \text{alt}}^2 = [0, 1] \times \overline{\mathbb{R}}_1^1 \times \overline{\mathbb{R}}^n$ with coordinates θ_0, ρ, η by blowing up the locus $\rho = 0, |\eta| = \infty$. Therefore, $\hat{M}_{0b, \text{alt}}^2 \simeq [0, 1] \times \hat{P}_0^2$. Similarly, the space $M_{0b, \text{alt}}^2$ is obtained from $M_{b, \text{alt}}^2 = [0, 1] \times \overline{\mathbb{R}}_1^1 \times \overline{\mathbb{R}}^n$ with coordinates θ_0, ρ, Y by blowing up the locus $\rho = 0, Y = 0$. This time, we get $M_{0b, \text{alt}}^2 \simeq [0, 1] \times P_0^2$. These spaces are represented in Figure 4.3. The faces of $M_{0b, \text{alt}}^2$ are **lf**, **rf**, **ff_b**, **ff₀**, **if_Y** with obvious meanings, while the faces **if_x**, **if _{\tilde{x}}** of M_{0b}^2 are replaced by the single face **if _{ρ}** corresponding to the locus $\rho = \infty$. Similarly, we call the faces of $\hat{M}_{0b, \text{alt}}^2$ **lf**, **rf**, **ff_b**, **ff₀**, **if _{η}** , **if _{ρ}** . Now, the factor $[0, 1]$ does not affect the Fourier transform in the Y variables and its inverse in the η variables, so from Proposition 4.3 we immediately get the inclusions

$$\begin{aligned} \mathcal{A}_{\text{phg}}^{(\mathcal{E}_{\text{lf}}, \mathcal{E}_{\text{rf}}, \mathcal{E}_{\text{ff}_b} - 1, \mathcal{E}_{\text{ff}_0} - n - 1, \infty, \infty)}(M_{0b, \text{alt}}^2) &\rightarrow \mathcal{A}_{\text{phg}}^{(\mathcal{E}_{\text{lf}}, \mathcal{E}_{\text{rf}}, \tilde{\mathcal{E}}_{\text{ff}_b} - 1, \mathcal{E}_{\text{ff}_0} - 1, \infty, \infty, \infty)}(\hat{M}_{0b, \text{alt}}^2) \\ \mathcal{A}_{\text{phg}}^{(\mathcal{E}_{\text{lf}}, \mathcal{E}_{\text{rf}}, \mathcal{E}_{\text{ff}_b} - 1, \mathcal{E}_{\text{ff}_0} - 1, \infty, \infty)}(\hat{M}_{0b, \text{alt}}^2) &\rightarrow \mathcal{A}_{\text{phg}}^{(\mathcal{E}_{\text{lf}}, \mathcal{E}_{\text{rf}}, \mathcal{E}_{\text{ff}_b} - 1, \tilde{\mathcal{E}}_{\text{ff}_0} - n - 1, \infty, \infty, \infty)}(M_{0b, \text{alt}}^2) \end{aligned}$$

where $\tilde{\mathcal{E}}_{\text{ff}_b} = \mathcal{E}_{\text{ff}_b} \cup \mathcal{E}_{\text{ff}_0}$ and $\tilde{\mathcal{E}}_{\text{ff}_0} = \mathcal{E}_{\text{ff}_0} \cup (\mathcal{E}_{\text{ff}_b} + n)$. Finally, the proof is concluded by observing that, for any quadruple $(\mathcal{F}_{\text{lf}}, \mathcal{F}_{\text{rf}}, \mathcal{F}_{\text{ff}_b}, \mathcal{F}_{\text{ff}_0})$, we have canonical identifications

$$\begin{aligned} \mathcal{A}_{\text{phg}}^{(\mathcal{F}_{\text{lf}}, \mathcal{F}_{\text{rf}}, \mathcal{F}_{\text{ff}_b}, \mathcal{F}_{\text{ff}_0}, \infty, \infty)}(M_{0b, \text{alt}}^2) &= \mathcal{A}_{\text{phg}}^{(\mathcal{F}_{\text{lf}}, \mathcal{F}_{\text{rf}}, \mathcal{F}_{\text{ff}_b}, \mathcal{F}_{\text{ff}_0}, \infty, \infty, \infty)}(M_{0b}^2) \\ \mathcal{A}_{\text{phg}}^{(\mathcal{F}_{\text{lf}}, \mathcal{F}_{\text{rf}}, \mathcal{F}_{\text{ff}_b}, \mathcal{F}_{\text{ff}_0}, \infty, \infty)}(\hat{M}_{0b, \text{alt}}^2) &= \mathcal{A}_{\text{phg}}^{(\mathcal{F}_{\text{lf}}, \mathcal{F}_{\text{rf}}, \mathcal{F}_{\text{ff}_b}, \mathcal{F}_{\text{ff}_0}, \infty, \infty, \infty)}(\hat{M}_{0b}^2). \end{aligned}$$

□

We can now use the previous result to describe the relation between $\hat{\Psi}_{0b, S}^{-\infty, \bullet}(\mathbb{R}_1^{n+1})$ and $\Psi_{0b, S}^{-\infty, \bullet}(\mathbb{R}_1^{n+1})$:

Corollary 4.16. *Let $\mathcal{E} = (\mathcal{E}_{\text{lf}}, \mathcal{E}_{\text{rf}}, \mathcal{E}_{\text{ff}_b}, \mathcal{E}_{\text{ff}_0})$ be a quadruple of index sets. Then:*

- (1) the space $\hat{\Psi}_{0b, S}^{-\infty, (\mathcal{E}_{\text{lf}}, \mathcal{E}_{\text{rf}}, \mathcal{E}_{\text{ff}_b}, \infty)}(\mathbb{R}_1^{n+1})$ coincides with $\Psi_{b, S}^{-\infty, (\mathcal{E}_{\text{lf}}, \mathcal{E}_{\text{rf}}, \mathcal{E}_{\text{ff}_b})}(\mathbb{R}_1^{n+1})$;
- (2) the space $\Psi_{0b, S}^{-\infty, \mathcal{E}}(\mathbb{R}_1^{n+1})$ is included in $\hat{\Psi}_{0b, S}^{-\infty, (\mathcal{E}_{\text{lf}}, \mathcal{E}_{\text{rf}}, \tilde{\mathcal{E}}_{\text{ff}_b}, \mathcal{E}_{\text{ff}_0})}(\mathbb{R}_1^{n+1})$, where $\tilde{\mathcal{E}}_{\text{ff}_b} = \mathcal{E}_{\text{ff}_b} \cup \mathcal{E}_{\text{ff}_0}$;

(3) the space $\hat{\Psi}_{0b,S}^{-\infty,\mathcal{E}}(\mathbb{R}_1^{n+1})$ is included in $\Psi_{0b,S}^{-\infty,(\mathcal{E}_{\mathbf{l}f},\mathcal{E}_{\mathbf{r}f},\mathcal{E}_{\mathbf{f}f_b},\tilde{\mathcal{E}}_{\mathbf{f}f_0})}(\mathbb{R}_1^{n+1})$, where $\tilde{\mathcal{E}}_{\mathbf{f}f_0} = \mathcal{E}_{\mathbf{f}f_0} \sqcup (\mathcal{E}_{\mathbf{f}f_b} + n)$.

Proof. Points 2 and 3 follow immediately from Proposition 4.15. Point 1 follows by observing that the space $S_{0b,S}^{-\infty,(\mathcal{E}_{\mathbf{l}f},\mathcal{E}_{\mathbf{r}f},\mathcal{E}_{\mathbf{f}f_b},\infty)}(\mathbb{R}^k;\mathbb{R}_2^{n+2})$ coincides with $S_{b,S}^{-\infty,(\mathcal{E}_{\mathbf{l}f},\mathcal{E}_{\mathbf{r}f},\mathcal{E}_{\mathbf{f}f_b})}(\mathbb{R}^k;\mathbb{R}_2^{n+2})$, and that the Fourier transform in the Y variables determines an isomorphism between $\mathcal{A}_{\text{phg}}^{(\mathcal{E}_{\mathbf{l}f},\mathcal{E}_{\mathbf{r}f},\mathcal{E}_{\mathbf{f}f_b},\infty,\infty,\infty)}(M_b^2)$ and $\mathcal{A}_{\text{phg}}^{(\mathcal{E}_{\mathbf{l}f},\mathcal{E}_{\mathbf{r}f},\mathcal{E}_{\mathbf{f}f_b},\infty,\infty,\infty)}(\hat{M}_b^2)$. \square

Let's now pass to 0-interior operators.

Lemma 4.17. *Let $\mathcal{E} = (\mathcal{E}_{\mathbf{l}f}, \mathcal{E}_{\mathbf{r}f}, \mathcal{E}_{\mathbf{f}f_0})$ be a triple of index sets. Then we have an inclusion*

$$\hat{\Psi}_{0,S}^{-\infty,\mathcal{E}}(\mathbb{R}_1^{n+1}) \subseteq \hat{\Psi}_{0b,S}^{-\infty,(\mathcal{E}_{\mathbf{l}f},\mathcal{E}_{\mathbf{r}f},\mathcal{E}_{\mathbf{l}f}+\mathcal{E}_{\mathbf{r}f}+1,\mathcal{E}_{\mathbf{f}f_0})}(\mathbb{R}_1^{n+1}).$$

Proof. It suffices to observe that $S_{0,S}^{-\infty,\mathcal{E}}(\mathbb{R}^k;\mathbb{R}_2^{n+2})$ is included in $S_{0b,S}^{-\infty,(\mathcal{E}_{\mathbf{l}f},\mathcal{E}_{\mathbf{r}f},\mathcal{E}_{\mathbf{l}f}+\mathcal{E}_{\mathbf{r}f}+1,\mathcal{E}_{\mathbf{f}f_0})}(\mathbb{R}^k;\mathbb{R}_2^{n+2})$: this is a straightforward application of the Pull-back Theorem. \square

This lemma, together with the previous corollary, implies that 0-interior operators are in the extended 0-calculus. However, we can prove a stronger statement: 0-interior operators are in fact in the 0-calculus. The key is the following improvement of Proposition 4.15:

Proposition 4.18. *Let $p(x, \tilde{x}, \eta) \in \mathcal{A}_{\text{phg}}^{(\mathcal{E}_{\mathbf{l}f},\mathcal{E}_{\mathbf{r}f},\mathcal{E}_{\mathbf{f}f_0}-1,\infty,\infty,\infty)}(\hat{M}_0^2)$. Then its inverse Fourier transform in the η variables is in $\mathcal{A}_{\text{phg}}^{(\mathcal{E}_{\mathbf{l}f},\mathcal{E}_{\mathbf{r}f},\tilde{\mathcal{E}}_{\mathbf{f}f_0}-n-1,\infty,\infty,\infty)}(M_0^2)$, where $\tilde{\mathcal{E}}_{\mathbf{f}f_0} = \mathcal{E}_{\mathbf{f}f_0} \sqcup (\mathcal{E}_{\mathbf{l}f} + \mathcal{E}_{\mathbf{r}f} + n + 1)$.*

Proof. We first prove a preliminary fact. Let $a, b, c \in \mathbb{R}$. Then we have

$$\mathcal{A}^{(a,b,a+b,c,\infty,\infty,\infty)}(M_{0b}^2) \subseteq \mathcal{A}^{(a,b,c,\infty,\infty,\infty)}(M_0^2).$$

To see this, let $r_{\mathbf{l}f}, r_{\mathbf{r}f}$ be boundary defining functions for the left and right faces of M_{0b}^2 . By the Pull-back Theorem, $r_{\mathbf{l}f}$ lifts via the blow-down map $M_{0b}^2 \rightarrow M_0^2$ to a product $\tilde{r}_{\mathbf{l}f}\tilde{r}_{\mathbf{f}f_b}$, where $\tilde{r}_{\mathbf{l}f}$ and $\tilde{r}_{\mathbf{f}f_b}$ are boundary defining functions for the faces $\mathbf{l}f, \mathbf{f}f_b$ of M_{0b}^2 . Similarly, $r_{\mathbf{r}f}$ lifts to a product $\tilde{r}_{\mathbf{r}f}\tilde{r}_{\mathbf{f}f_b}$, where $\tilde{r}_{\mathbf{r}f}$ is a boundary defining function for the right face of M_{0b}^2 . Call now $r_{\mathbf{f}f_0}$ a boundary defining function for the face $\mathbf{f}f_0$ of M_0^2 . Then $r_{\mathbf{f}f_0}$ lifts to a boundary defining function for the face $\mathbf{f}f_0$ of M_{0b}^2 , which we denote by $r_{\mathbf{f}f_0}$. From this discussion, it follows that if $f \in \mathcal{A}^{(a,b,a+b,c,\infty,\infty,\infty)}(M_{0b}^2)$ then

$$r_{\mathbf{l}f}^{-a}r_{\mathbf{r}f}^{-b}r_{\mathbf{f}f_0}^{-c}f \in \mathcal{A}^{(0,0,0,0,\infty,\infty,\infty)}(M_{0b}^2).$$

This implies that $r_{\mathbf{l}f}^{-a}r_{\mathbf{r}f}^{-b}r_{\mathbf{f}f_0}^{-c}f \in L^\infty(M_0^2)$. Now, let V_1, \dots, V_k be b -vector fields on M_0^2 . Since M_{0b}^2 is obtained from M_0^2 by blowing up a corner, the V_1, \dots, V_k lift to b -vector fields on M_{0b}^2 . It follows that

$$(V_1 \cdots V_k)(r_{\mathbf{l}f}^{-a}r_{\mathbf{r}f}^{-b}r_{\mathbf{f}f_0}^{-c}f) \in \mathcal{A}^{(0,0,0,0,\infty,\infty,\infty)}(M_{0b}^2) \subseteq L^\infty(M_0^2).$$

This discussion shows that $r_{\mathbf{l}f}^{-a}r_{\mathbf{r}f}^{-b}r_{\mathbf{f}f_0}^{-c}f \in \mathcal{A}^{(0,0,0,\infty,\infty,\infty)}(M_0^2)$, which is equivalent to

$$f \in \mathcal{A}^{(a,b,c,\infty,\infty,\infty)}(M_0^2)$$

as claimed.

We can now prove the lemma. Let $p(x, \tilde{x}, \eta) \in \mathcal{A}_{\text{phg}}^{(\mathcal{E}_{\mathbf{l}f},\mathcal{E}_{\mathbf{r}f},\mathcal{E}_{\mathbf{f}f_0}-1,\infty,\infty,\infty)}(\hat{M}_0^2)$. By the Pull-back Theorem we have

$$p(x, \tilde{x}, \eta) \in \mathcal{A}_{\text{phg}}^{(\mathcal{E}_{\mathbf{l}f},\mathcal{E}_{\mathbf{r}f},\mathcal{E}_{\mathbf{l}f}+\mathcal{E}_{\mathbf{r}f},\mathcal{E}_{\mathbf{f}f_0}-1,\infty,\infty,\infty)}(\hat{M}_{0b}^2),$$

and by Proposition 4.15 we have

$$P(x, \tilde{x}, Y) \in \mathcal{A}_{\text{phg}}^{(\mathcal{E}_{\mathbf{l}f},\mathcal{E}_{\mathbf{r}f},\mathcal{E}_{\mathbf{l}f}+\mathcal{E}_{\mathbf{r}f},\tilde{\mathcal{E}}_{\mathbf{f}f_0}-n-1,\infty,\infty,\infty)}(M_{0b}^2),$$

where $\tilde{\mathcal{E}}_{\mathbf{ff}_0} = \mathcal{E}_{\mathbf{ff}_0} \bar{\cup} (\mathcal{E}_{\mathbf{if}} + \mathcal{E}_{\mathbf{rf}} + n + 1)$. Thus, if $\Re(\mathcal{E}_{\mathbf{if}}) > a$, $\Re(\mathcal{E}_{\mathbf{rf}}) > b$ and $\Re(\tilde{\mathcal{E}}_{\mathbf{ff}_0} - n - 1) > c$, we have

$$P(x, \tilde{x}, Y) \in \mathcal{A}^{(a, b, c, \infty, \infty, \infty)}(M_0^2).$$

Now define

$$Q_\lambda = \prod_{\substack{(\alpha, l) \in \mathcal{E}_{\mathbf{if}} \\ \Re(\alpha) \leq \lambda}} (x \partial_x - \alpha)$$

and

$$\tilde{Q}_\lambda = \prod_{\substack{(\alpha, l) \in \mathcal{E}_{\mathbf{rf}} \\ \Re(\alpha) \leq \lambda}} (\tilde{x} \partial_{\tilde{x}} - \alpha).$$

We then have

$$\begin{aligned} Q_\lambda P &\in \mathcal{A}_{\text{phg}}^{(\mathcal{E}_{\mathbf{if}}(\lambda), \mathcal{E}_{\mathbf{rf}}, \mathcal{E}_{\mathbf{if}}(\lambda) + \mathcal{E}_{\mathbf{rf}}, \mathcal{E}_{\mathbf{ff}_0} - 1, \infty, \infty, \infty)}(\hat{M}_{0b}^2) \\ \tilde{Q}_\lambda P &\in \mathcal{A}_{\text{phg}}^{(\mathcal{E}_{\mathbf{if}}, \mathcal{E}_{\mathbf{rf}}(\lambda), \mathcal{E}_{\mathbf{if}} + \mathcal{E}_{\mathbf{rf}}(\lambda), \mathcal{E}_{\mathbf{ff}_0} - 1, \infty, \infty, \infty)}(\hat{M}_{0b}^2) \end{aligned}$$

where $\mathcal{E}_{\mathbf{if}}(\lambda)$ is the set of pairs $(\alpha, l) \in \mathcal{E}_{\mathbf{if}}$ with $\Re(\alpha) > \lambda$, and $\mathcal{E}_{\mathbf{rf}}(\lambda)$ is defined similarly. It follows that

$$\begin{aligned} Q_\lambda P &\in \mathcal{A}_{\text{phg}}^{(\mathcal{E}_{\mathbf{if}}(\lambda), \mathcal{E}_{\mathbf{rf}}, \mathcal{E}_{\mathbf{if}}(\lambda) + \mathcal{E}_{\mathbf{rf}}, \tilde{\mathcal{E}}_{\mathbf{ff}_0} - n - 1, \infty, \infty, \infty)}(M_{0b}^2) \\ \tilde{Q}_\lambda P &\in \mathcal{A}_{\text{phg}}^{(\mathcal{E}_{\mathbf{if}}, \mathcal{E}_{\mathbf{rf}}(\lambda), \mathcal{E}_{\mathbf{if}} + \mathcal{E}_{\mathbf{rf}}(\lambda), \tilde{\mathcal{E}}_{\mathbf{ff}_0} - n - 1, \infty, \infty, \infty)}(M_{0b}^2) \end{aligned}$$

which implies

$$\begin{aligned} Q_\lambda P &\in \mathcal{A}^{(\lambda, b, c, \infty, \infty, \infty)}(M_0^2) \\ \tilde{Q}_\lambda P &\in \mathcal{A}^{(a, \lambda, c, \infty, \infty, \infty)}(M_0^2). \end{aligned}$$

Finally, let V be a b -vector field on M_0^2 , transversal to \mathbf{ff}_0 , inward-pointing, and tangent to the other faces. Let $\mathcal{F} = \tilde{\mathcal{E}}_{\mathbf{ff}_0} - n - 1$, and define

$$R_\lambda = \prod_{\substack{(\alpha, l) \in \mathcal{F} \\ \Re(\alpha) \leq \lambda}} (r_{\mathbf{ff}} V - \alpha).$$

Then we have

$$R_\lambda P \in \mathcal{A}_{\text{phg}}^{(\mathcal{E}_{\mathbf{if}}, \mathcal{E}_{\mathbf{rf}}, \mathcal{E}_{\mathbf{if}} + \mathcal{E}_{\mathbf{rf}}, \mathcal{F}(\lambda), \infty, \infty, \infty)}(M_{0b}^2),$$

which implies

$$R_\lambda P \in \mathcal{A}^{(a, b, \lambda, \infty, \infty, \infty)}(M_0^2).$$

This concludes the proof. \square

As a consequence, we obtain the following

Corollary 4.19. *Let $\mathcal{E} = (\mathcal{E}_{\mathbf{if}}, \mathcal{E}_{\mathbf{rf}}, \mathcal{E}_{\mathbf{ff}_0})$ be a triple of index sets. Then:*

- (1) *the space $\hat{\Psi}_{0, \mathcal{S}}^{-\infty, (\mathcal{E}_{\mathbf{if}}, \mathcal{E}_{\mathbf{rf}}, \infty)}(\mathbb{R}_1^{n+1})$ coincides with $\Psi_{\mathcal{S}}^{-\infty, (\mathcal{E}_{\mathbf{if}}, \mathcal{E}_{\mathbf{rf}})}(\mathbb{R}_1^{n+1})$;*
- (2) *the space $\hat{\Psi}_{0, \mathcal{S}}^{-\infty, \mathcal{E}}(\mathbb{R}_1^{n+1})$ is included in $\Psi_{0, \mathcal{S}}^{-\infty, (\mathcal{E}_{\mathbf{if}}, \mathcal{E}_{\mathbf{rf}}, \tilde{\mathcal{E}}_{\mathbf{ff}_0})}(\mathbb{R}_1^{n+1})$, where $\tilde{\mathcal{E}}_{\mathbf{ff}_0} = \mathcal{E}_{\mathbf{ff}_0} \bar{\cup} (\mathcal{E}_{\mathbf{if}} + \mathcal{E}_{\mathbf{rf}} + n + 1)$.*

Proof. The first point is a consequence of the fact that the symbol space $S_{0, \mathcal{S}}^{-\infty, (\mathcal{E}_{\mathbf{if}}, \mathcal{E}_{\mathbf{rf}}, \infty)}(\mathbb{R}^k; \mathbb{R}_2^{n+2})$ coincides with $S_{\mathcal{S}}^{-\infty, (\mathcal{E}_{\mathbf{if}}, \mathcal{E}_{\mathbf{rf}})}(\mathbb{R}^k; \mathbb{R}_2^{n+2})$, and the fact that the Fourier transform in the Y variables induces an isomorphism $\mathcal{A}_{\text{phg}}^{(\mathcal{E}_{\mathbf{if}}, \mathcal{E}_{\mathbf{rf}}, \infty, \infty, \infty)}(M^2) \rightarrow \mathcal{A}_{\text{phg}}^{(\mathcal{E}_{\mathbf{if}}, \mathcal{E}_{\mathbf{rf}}, \infty, \infty, \infty)}(\hat{M}^2)$. The second point follows immediately from Proposition 4.18. \square

We are now ready to define the classes $\hat{\Psi}_0^{-\infty, \bullet}(X)$ and $\hat{\Psi}_{0b}^{-\infty, \bullet}(X)$.

Definition 4.20. (Symbolic 0-interior operators) Let $\mathcal{E} = (\mathcal{E}_{\mathbf{if}}, \mathcal{E}_{\mathbf{rf}}, \mathcal{E}_{\mathbf{ff}_0})$ be a triple of index sets. We denote by $\hat{\Psi}_0^{-\infty, \mathcal{E}}(X)$ the class of operators $P : \dot{C}^\infty(X) \rightarrow C^{-\infty}(X)$ with the following properties:

- (1) in the complement of any neighborhood of $\partial\Delta$, K_P coincides with a very residual operator in $\Psi^{-\infty, (\mathcal{E}_{\text{lf}}, \mathcal{E}_{\text{rf}})}(X) = \mathcal{A}_{\text{phg}}^{(\mathcal{E}_{\text{lf}}, \mathcal{E}_{\text{rf}})}(X^2; \pi_R^* \mathcal{D}_X^1)$;
- (2) for every $q \in \partial X$ and coordinates (x, y) for X centered at q and compatible with V (i.e. $Vx \equiv 1$ near q), P coincides near (q, q) with an element of $\hat{\Psi}_{0, S}^{-\infty, \mathcal{E}}(\mathbb{R}_1^{n+1})$; more precisely, there exists a 0-interior symbol $p(y; x, \tilde{x}, \eta)$ in $S_{0, S}^{-\infty, \mathcal{E}}(\mathbb{R}^n; \mathbb{R}_2^{n+2})$ such that, in a neighborhood of the origin, we have

$$K_P \equiv K(y; x, \tilde{x}, y - \tilde{y}) d\tilde{x}d\tilde{y} = \frac{1}{(2\pi)^n} \int e^{i(y-\tilde{y})\eta} p(y; x, \tilde{x}, \eta) d\eta d\tilde{x}d\tilde{y}.$$

Definition 4.21. (Symbolic 0b-interior operators) Let $\mathcal{E} = (\mathcal{E}_{\text{lf}}, \mathcal{E}_{\text{rf}}, \mathcal{E}_{\text{fb}}, \mathcal{E}_{\text{fo}})$ be a quadruple of index sets. We denote by $\hat{\Psi}_{0b}^{-\infty, \mathcal{E}}(X)$ the class of operators $P : \dot{C}^\infty(X) \rightarrow C^{-\infty}(X)$ with the following properties:

- (1) in the complement of any neighborhood of $\partial\Delta$, K_P coincides with an element of the residual large b -calculus $\Psi_b^{-\infty, (\mathcal{E}_{\text{lf}}, \mathcal{E}_{\text{rf}}, \mathcal{E}_{\text{fb}})}(X) = \mathcal{A}_{\text{phg}}^{(\mathcal{E}_{\text{lf}}, \mathcal{E}_{\text{rf}}, \mathcal{E}_{\text{fb}})}(X_b^2; r_{\text{fb}}^{-1} \beta_{b, R}^* \mathcal{D}_X^1)$;
- (2) for every $q \in \partial X$ and coordinates (x, y) for X centered at q and compatible with V (i.e. $Vx \equiv 1$ near q), P coincides near (q, q) with an element of $\hat{\Psi}_{0b, S}^{-\infty, \mathcal{E}}(\mathbb{R}_1^{n+1})$; more precisely, there exists a 0b-interior symbol $p(y; x, \tilde{x}, \eta)$ in $S_{0b, S}^{-\infty, \mathcal{E}}(\mathbb{R}^n; \mathbb{R}_2^{n+2})$ such that, in a neighborhood of the origin, we have

$$K_P \equiv K(y; x, \tilde{x}, y - \tilde{y}) d\tilde{x}d\tilde{y} = \frac{1}{(2\pi)^n} \int e^{i(y-\tilde{y})\eta} p(y; x, \tilde{x}, \eta) d\eta d\tilde{x}d\tilde{y}.$$

Summarizing, the discussions above and the local characterizations of $\Psi_0^{-\infty, \bullet}(X)$, $\Psi_{0b}^{-\infty, \bullet}(X)$, $\Psi^{-\infty, \bullet}(X)$, $\Psi_b^{-\infty, \bullet}(X)$ given in §2.3.1, imply the following

Corollary 4.22. Let $\mathcal{E}_{\text{lf}}, \mathcal{E}_{\text{rf}}, \mathcal{E}_{\text{fb}}, \mathcal{E}_{\text{fo}}$ be index sets. Then:

- (1) the space $\hat{\Psi}_0^{-\infty, (\mathcal{E}_{\text{lf}}, \mathcal{E}_{\text{rf}}, \infty)}(X)$ coincides with the space of very residual operators $\Psi^{-\infty, (\mathcal{E}_{\text{lf}}, \mathcal{E}_{\text{rf}})}(X)$;
- (2) the space $\hat{\Psi}_{0b}^{-\infty, (\mathcal{E}_{\text{lf}}, \mathcal{E}_{\text{rf}}, \mathcal{E}_{\text{fb}}, \infty)}(X)$ coincides with the large residual b -calculus $\Psi_b^{-\infty, (\mathcal{E}_{\text{lf}}, \mathcal{E}_{\text{rf}}, \mathcal{E}_{\text{fb}})}(X)$;
- (3) the space $\Psi_{0b}^{-\infty, (\mathcal{E}_{\text{lf}}, \mathcal{E}_{\text{rf}}, \mathcal{E}_{\text{fb}}, \mathcal{E}_{\text{fo}})}(X)$ is included in $\hat{\Psi}_{0b}^{-\infty, (\mathcal{E}_{\text{lf}}, \mathcal{E}_{\text{rf}}, \tilde{\mathcal{E}}_{\text{fb}}, \mathcal{E}_{\text{fo}})}(X)$, where $\tilde{\mathcal{E}}_{\text{fb}} = \mathcal{E}_{\text{fb}} \sqcup \mathcal{E}_{\text{fo}}$;
- (4) the space $\hat{\Psi}_{0b}^{-\infty, (\mathcal{E}_{\text{lf}}, \mathcal{E}_{\text{rf}}, \mathcal{E}_{\text{fb}}, \mathcal{E}_{\text{fo}})}(X)$ is included in $\Psi_{0b}^{-\infty, (\mathcal{E}_{\text{lf}}, \mathcal{E}_{\text{rf}}, \mathcal{E}_{\text{fb}}, \tilde{\mathcal{E}}_{\text{fo}})}(X)$, where $\tilde{\mathcal{E}}_{\text{fo}} = \mathcal{E}_{\text{fo}} \sqcup (\mathcal{E}_{\text{fb}} + n)$;
- (5) the space $\hat{\Psi}_0^{-\infty, (\mathcal{E}_{\text{lf}}, \mathcal{E}_{\text{rf}}, \mathcal{E}_{\text{fo}})}(X)$ is included in $\Psi_0^{-\infty, (\mathcal{E}_{\text{lf}}, \mathcal{E}_{\text{rf}}, \tilde{\mathcal{E}}_{\text{fo}})}(X)$, where $\tilde{\mathcal{E}}_{\text{fo}} = \mathcal{E}_{\text{fo}} \sqcup (\mathcal{E}_{\text{lf}} + \mathcal{E}_{\text{rf}} + n + 1)$.

Remark 4.23. We remark that, despite the notation, an element of the large residual 0-calculus $\Psi_0^{-\infty, \bullet}(X)$ is in general *not* a 0-interior operator. This will be clear from the analysis of the Bessel family, carried out in the next subsection. Instead, we have two strict inclusions

$$\Psi^{-\infty, (\mathcal{E}_{\text{lf}}, \mathcal{E}_{\text{rf}})}(X) \subset \hat{\Psi}_0^{-\infty, (\mathcal{E}_{\text{lf}}, \mathcal{E}_{\text{rf}}, \mathcal{E}_{\text{fo}})}(X) \subset \Psi_0^{-\infty, (\mathcal{E}_{\text{lf}}, \mathcal{E}_{\text{rf}}, \tilde{\mathcal{E}}_{\text{fo}})}(X)$$

where $\tilde{\mathcal{E}}_{\text{fo}} = \mathcal{E}_{\text{fo}} \sqcup (\mathcal{E}_{\text{lf}} + \mathcal{E}_{\text{rf}} + n + 1)$. The intermediate class $\hat{\Psi}_0^{-\infty, \bullet}(X)$ will turn out to be very useful in our theory of boundary value problems.

4.2. Bessel families. In §2.4.1 and §2.4.2, we discussed the normal and Bessel families for operators in the classes $\Psi_{0\text{tr}}^{-\infty, \bullet}(X, \partial X)$, $\Psi_{0\text{P}}^{-\infty, \bullet}(X, \partial X)$, $\Psi_0^{-\infty, \bullet}(X)$, $\Psi_{0b}^{-\infty, \bullet}(X)$. For example, if $Q \in \Psi_{0b}^{-\infty, \mathcal{E}}(X)$ and $[\mathcal{E}_{\text{fo}}] = 0$, then the normal family $N(Q)$ encodes invariantly the leading order term in the expansion of $\kappa_Q = \beta_{0b}^* K_Q$ at the 0-front face of X_{0b}^2 . We explained how $N(Q)$ can be interpreted as a smooth family $p \mapsto N_p(Q)$, parametrized by $p \in \partial X$, of dilation and translation invariant operators acting on functions over the model space $X_p = T_p^+ X$. We then explained how, using an auxiliary vector field V on X transversal to ∂X and inward-pointing, and the invariant Fourier transform on the fibers of $T\partial X$, we can *transform* $N(Q)$ into an equivalent object, a

smooth family $\eta \mapsto \hat{N}_\eta(Q)$ of operators on functions over the fibers of $N^+\partial X$. We argued similarly for operators in $\Psi_{0\text{tr}}^{-\infty, \bullet}(X, \partial X)$, $\Psi_{0\text{P}}^{-\infty, \bullet}(X, \partial X)$, $\Psi_0^{-\infty, \bullet}(X)$.

It is in general quite difficult to characterize the range of the Bessel family map on the classes $\Psi_{0\text{tr}}^{-\infty, \bullet}(X, \partial X)$, $\Psi_{0\text{P}}^{-\infty, \bullet}(X, \partial X)$, $\Psi_0^{-\infty, \bullet}(X)$, $\Psi_{0b}^{-\infty, \bullet}(X)$ ([Hin23a] discusses this issue for the classes $\Psi_0^{-\infty, \bullet}(X)$, $\Psi_{0b}^{-\infty, \bullet}(X)$). In this subsection we will define the Bessel family map for the classes $\hat{\Psi}_{0\text{tr}}^{-\infty, \bullet}(X, \partial X)$, $\hat{\Psi}_{0\text{P}}^{-\infty, \bullet}(X, \partial X)$, $\hat{\Psi}_0^{-\infty, \bullet}(X)$, $\hat{\Psi}_{0b}^{-\infty, \bullet}(X)$, and we will show how this map is in a very concrete sense a ‘‘principal symbol map’’. As such, it fits into a short exact sequence formally similar to the usual principal symbol short exact sequence; in particular, the Bessel family map is *by design* surjective onto an appropriate space of *fibrewise homogeneous sections* of an appropriate Fréchet bundle over $T^*\partial X \setminus 0$.

4.2.1. Principal symbols of polyhomogeneous pseudodifferential operators. We start with a review of the definition of the principal symbol map for classical pseudodifferential operators on the closed manifold ∂X . In accordance with the approach adopted in this paper, we can define the usual class of pseudodifferential operators $\Psi^\bullet(\partial X)$ as follows. Given $m \in \mathbb{R}$, an operator $Q : C^\infty(\partial X) \rightarrow C^{-\infty}(\partial X)$ is in $\Psi^m(\partial X)$ if and only if:

- (1) the Schwartz kernel K_Q coincides, in the complement of any neighborhood of the diagonal Δ , with an element of $\Psi^{-\infty}(\partial X) = C^\infty\left((\partial X)^2; \pi_R^* \mathcal{D}_{\partial X}^1\right)$;
- (2) for every $p \in \partial X$ and coordinates y centered at p , there exists a symbol $q(y; \eta) \in \mathcal{S}(\mathbb{R}^n) \hat{\otimes} \mathcal{A}^{-m}\left(\overline{\mathbb{R}^n}\right) =: S_{\mathcal{S}}^m(\mathbb{R}^n; \mathbb{R}^n)$ such that, in the induced coordinates (y, \tilde{y}) for Y^2 centered at (p, p) , we have

$$K_Y \equiv K(y; y - \tilde{y}) d\tilde{y} = \frac{1}{(2\pi)^n} \int e^{i(y-\tilde{y})\eta} q(y; \eta) d\eta d\tilde{y}$$

near the origin.

The class $\Psi_{\text{phg}}^m(\partial X)$ (where we allow $m \in \mathbb{C}$) of *classical* pseudodifferential operators of order m is obtained as above, except that we replace $\mathcal{A}^{-m}\left(\overline{\mathbb{R}^n}\right)$ with the space $\langle \eta \rangle^m C^\infty\left(\overline{\mathbb{R}^n}\right) = \mathcal{A}_{\text{phg}}^{-m+\mathbb{N}}\left(\overline{\mathbb{R}^n}\right)$, where $\langle \eta \rangle = \sqrt{1 + |\eta|^2}$ (note that $\langle \eta \rangle^{-1}$ is a boundary defining function for $\overline{\mathbb{R}^n}$). More in general, given an index set \mathcal{E} , one can define $\Psi_{\text{phg}}^{-\mathcal{E}}(Y)$ by replacing $\mathcal{A}^{-m}\left(\overline{\mathbb{R}^n}\right)$ with $\mathcal{A}_{\text{phg}}^{\mathcal{E}}\left(\overline{\mathbb{R}^n}\right)$. We denote by

$$S_{\text{phg}, \mathcal{S}}^{-\mathcal{E}}(\mathbb{R}^n; \mathbb{R}^n) = \mathcal{S}(\mathbb{R}^n) \hat{\otimes} \mathcal{A}_{\text{phg}}^{\mathcal{E}}\left(\overline{\mathbb{R}^n}\right)$$

the corresponding class of symbols.

The *principal symbol* $\sigma(Q)$ of an operator $Q \in \Psi_{\text{phg}}^m(\partial X)$ (or, more generally, $Q \in \Psi_{\text{phg}}^{-\mathcal{E}}(\partial X)$ with $[\mathcal{E}] = -m$) is a smooth, fibrewise homogeneous function $\eta \mapsto \sigma(Q)$ defined on $T^*\partial X \setminus 0$, constructed as follows. Given $p \in \partial X$, choose coordinates y for ∂X centered at p , and let $q(y; \eta) \in S_{\text{phg}, \mathcal{S}}^{-\mathcal{E}}(\mathbb{R}^n; \mathbb{R}^n)$ be a classical symbol such that $Q \equiv \text{Op}(q)$ near the origin in the given coordinates. Then, in these coordinates, for every $\eta \in T_p^*\partial X \setminus 0 \equiv \mathbb{R}^n \setminus 0$ we have

$$\sigma_\eta(Q) := \lim_{t \rightarrow 0^+} t^m q(0; t^{-1}\eta).$$

This limit picks up the leading order term in the expansion of $q(0; \eta)$ as $|\eta| \rightarrow +\infty$. More precisely, since $q(y; \eta) \in S_{\text{phg}, \mathcal{S}}^{-\mathcal{E}}(\mathbb{R}^n; \mathbb{R}^n)$, by Taylor’s Theorem we can write, away from the locus $|\eta| = 0$,

$$q(0; \eta) = q_0\left(\frac{\eta}{|\eta|}, |\eta|^{-1}\right) |\eta|^m + r\left(\frac{\eta}{|\eta|}, |\eta|^{-1}\right) |\eta|^{m-1}$$

where $q_0(\hat{\eta}, \rho), r(\hat{\eta}, \rho) \in C^\infty(S^{n-1} \times \mathbb{R}_1^1)$. We then get

$$\begin{aligned} \lim_{t \rightarrow 0^+} t^m q(0; t^{-1}\eta) &= \lim_{t \rightarrow 0^+} t^m \langle t^{-1}\eta \rangle^m q'_0 \left(\frac{\eta}{|\eta|}, t|\eta|^{-1} \right) \\ &\quad + t^m \langle t^{-1}\eta \rangle^{m-1} r(\hat{\eta}, t|\eta|^{-1}) \\ &= |\eta|^m q'_0 \left(\frac{\eta}{|\eta|}, 0 \right) \\ &= |\eta|^m \tilde{q}_0 \left(\frac{\eta}{|\eta|} \right), \end{aligned}$$

where $\tilde{q}_0(\hat{\eta}) = q'_0(\hat{\eta}, 0) \in C^\infty(S^{n-1})$. This function does not depend on the particular symbol but only on the operator Q and the choice of coordinates, so that $\tilde{q}_0(\eta/|\eta|)|\eta|^m$ is invariantly a well-defined homogeneous of degree m function on $T_p^*\partial X \setminus 0$. The principal symbol map fits into a short exact sequence

$$0 \longrightarrow \Psi_{\text{phg}}^{-(\mathcal{E} \setminus \{m\})}(\partial X) \longrightarrow \Psi_{\text{phg}}^{-\mathcal{E}}(\partial X) \xrightarrow{\sigma} S^{[m]}(T^*\partial X \setminus 0) \longrightarrow 0$$

where $S^{[m]}(T^*\partial X \setminus 0)$ denotes the space of smooth, fibrewise homogeneous of degree m , functions on $T^*Y \setminus 0$. Moreover, the principal symbol map σ is compatible with compositions and formal adjoints.

4.2.2. The Bessel family of a symbolic 0-Poisson operator. The Bessel family map for the class $\hat{\Psi}_{0\text{P}}^{-\infty, \bullet}(\partial X, X)$ is conceptually very similar to the principal symbol map described above. Fix a pair of index sets $\mathcal{E} = (\mathcal{E}_{\text{of}}, \mathcal{E}_{\text{ff}})$ with $[\mathcal{E}_{\text{ff}}] = m \in \mathbb{C}$. First of all, we recall from §3.4 the definition of the Fréchet bundle over $T^*\partial X \setminus 0$ where the Bessel family map takes values. We denote by $\Psi_{\text{P}}^{-\infty, \mathcal{E}_{\text{of}}}(\mathbb{R}_1^1)$ the space of functions in $\mathcal{A}_{\text{phg}}^{(\mathcal{E}_{\text{of}}, \infty)}(\overline{\mathbb{R}_1^1})$, thought of as “model Poisson operators” $\mathbb{C} \rightarrow \mathcal{A}_{\text{phg}}^{(\mathcal{E}_{\text{of}}, \infty)}(\overline{\mathbb{R}_1^1})$. The space is acted upon by \mathbb{R}^+ via the representation

$$\begin{aligned} \mathbb{R}^+ &\rightarrow \text{GL} \left(\Psi_{\text{P}}^{-\infty, \mathcal{E}_{\text{of}}}(\mathbb{R}_1^1) \right) \\ t &\mapsto (B \mapsto \lambda_t^* \circ B), \end{aligned}$$

and therefore we can define a smooth Fréchet bundle with typical fiber $\Psi_{\text{P}}^{-\infty, \mathcal{E}_{\text{of}}}(\mathbb{R}_1^1)$ as the bundle associated to the principal \mathbb{R}^+ bundle $N^+\partial X \setminus 0$ via the representation above. We denote this bundle by $\Psi_{\text{P}}^{-\infty, \mathcal{E}_{\text{of}}}(N^+\partial X) \rightarrow \partial X$. Its fiber at a point $p \in \partial X$ is the space of operators $\mathbb{C} \rightarrow \mathcal{A}_{\text{phg}}^{(\mathcal{E}_{\text{of}}, \infty)}(\overline{N_p^+\partial X})$. The choice of a vector field V on X transversal to ∂X and inward pointing, determines a global trivialization of $N^+\partial X$ and hence also a global trivialization of $\Psi_{\text{P}}^{-\infty, \mathcal{E}_{\text{of}}}(N^+\partial X)$.

Now, let $B \in \hat{\Psi}_{0\text{P}}^{-\infty, \mathcal{E}}(\partial X, X)$. The Bessel family of B is a *section* $\hat{N}_\eta(B)$ of the pull-back bundle $\pi^*\Psi_{\text{P}}^{-\infty, \mathcal{E}_{\text{of}}}(N^+\partial X) \rightarrow T^*\partial X \setminus 0$, with the following homogeneity property: for every $\eta \in T^*\partial X \setminus 0$ and $t \in \mathbb{R}^+$, we have

$$\hat{N}_{t\eta}(B) = \lambda_t^* \circ \hat{N}_\eta(B) \circ t^{-m}.$$

Just as the principal symbol of an operator $Q \in \Psi_{\text{phg}}^m(Y)$ encodes the leading order term in the expansion at infinity of a symbol representing Q , the Bessel family of B encodes the leading order term in the expansion *at the front face* of a 0-Poisson symbol representing B .

To be more precise, choose coordinates (x, y) for X centered at p and compatible with V , in the sense that $Vx \equiv 1$ near p . By definition of $\hat{\Psi}_{0\text{P}}^{-\infty, \mathcal{E}}(\partial X, X)$, there is a 0-Poisson symbol $b(y; x, \eta)$ in $S_{0\text{P}, \mathcal{S}}^{-\infty, \mathcal{E}}(\mathbb{R}^n; \mathbb{R}_1^{n+1})$ such that, in the induced coordinates (x, y, \tilde{y}) on $X \times \partial X$, we have near the origin

$$K_B \equiv \frac{1}{(2\pi)^n} \int e^{i(y-\tilde{y})\eta} b(y; x, \eta) d\eta d\tilde{y}.$$

Given $x \in \mathbb{R}^+$ and $\eta \in \mathbb{R}^n \setminus 0$, we define

$$\hat{N}_\eta(B) := \lim_{t \rightarrow 0^+} b(0; tx, t^{-1}\eta) t^{-m}.$$

We claim that this limit is well-defined and has the form

$$\hat{N}_\eta(B) = \tilde{b}_0 \left(x|\eta|, \frac{\eta}{|\eta|} \right) |\eta|^{-m},$$

where $\tilde{b}_0(\tau, \hat{\eta}) \in \mathcal{A}^{(\mathcal{E}_{\text{of}}, \infty)}(\overline{\mathbb{R}}_1^1 \times S^{n-1})$ does not depend on the particular choice of the 0-Poisson symbol b , but only on the operator B and on the particular choice of the coordinates.

To see this, observe that since $b(0; x, \eta) \in \mathcal{A}_{\text{phg}}^{(\mathcal{E}_{\text{of}}, \mathcal{E}_{\text{ff}}, \infty, \infty)}(\hat{P}_0^2)$, we can write away from the locus $|\eta| = 0$

$$b(0; x, \eta) = b_0(x|\eta|, \hat{\eta}, |\eta|^{-1}) |\eta|^{-m} + r(x|\eta|, \hat{\eta}, |\eta|^{-1}) |\eta|^{-m-1},$$

where $b_0(\tau, \hat{\eta}, \rho)$ and $r(\tau, \hat{\eta}, \rho)$ are elements of $\mathcal{A}_{\text{phg}}^{(\mathcal{E}_{\text{of}}, \infty)}(\overline{\mathbb{R}}_1^1 \times S^{n-1}) \hat{\otimes} \mathcal{A}_{\text{phg}}^{\mathcal{E}_{\text{ff}}-m}(\mathbb{R}_1^1)$. Since $[\mathcal{E}_{\text{ff}}] = m$, the evaluations $\tilde{b}_0(\tau, \hat{\eta}) = b_0(\tau, \hat{\eta}, 0)$ and $r(\tau, \hat{\eta}, 0)$ are elements of $\mathcal{A}_{\text{phg}}^{(\mathcal{E}_{\text{of}}, \infty)}(\overline{\mathbb{R}}_1^1 \times S^{n-1})$, and we have

$$\lim_{t \rightarrow 0^+} b(0; tx, t^{-1}\eta) t^{-m} = \tilde{b}_0 \left(x|\eta|, \frac{\eta}{|\eta|} \right) |\eta|^{-m}.$$

as claimed. Observe that this limit does not depend on the particular choice of the symbol b , but only on the operator B and the choice of coordinates: indeed, if b_1 and b_2 are two 0-Poisson symbols such that $B \equiv \text{Op}_L^P(b_1) \equiv \text{Op}_L^P(b_2)$ near the origin in the given coordinates, then this means that the inverse Fourier transform $B_1(0; x, Y) - B_2(0; x, Y)$ must *vanish* in a neighborhood of $x = 0, |Y| = 0$. Therefore, $B_1(0; x, Y) - B_2(0; x, Y)$ must be in $\mathcal{A}_{\text{phg}}^{(\mathcal{E}_{\text{of}}, \infty, \infty)}(P^2)$, which implies that $b_1(0; x, \eta) - b_2(0; x, \eta)$ must be in $\mathcal{A}_{\text{phg}}^{(\mathcal{E}_{\text{of}}, \infty, \infty)}(\hat{P}_0^2)$. Thus, the lifts of $b_1(0; x, \eta)$ and $b_2(0; x, \eta)$ to \hat{P}_0^2 must agree to infinite order at \mathbf{ff} .

For reasons of space, we omit the annoying (but elementary) check that the correspondence $\hat{N}(B) : \eta \mapsto \tilde{b}_0 \left(x|\eta|, \frac{\eta}{|\eta|} \right) |\eta|^{-m}$ defined above does indeed define invariantly a smooth section of the pull-back Fréchet bundle $\pi^* \Psi_{\text{P}}^{-\infty, \mathcal{E}_{\text{of}}}(N^+ \partial X) \rightarrow T^* \partial X \setminus 0$. Let us just check that $\hat{N}(B)$ is fibrewise homogeneous of degree $-m$. Using the coordinates above, given $\eta \in T_p^* \partial X \setminus 0 \equiv \mathbb{R}^n \setminus 0$ and $t \in \mathbb{R}^+$, we have

$$\begin{aligned} \hat{N}_{t\eta}(B) &= \tilde{b}_0 \left(tx|\eta|, \frac{\eta}{|\eta|} \right) |\eta|^{-m} t^{-m} \\ &= \left(\lambda_t^* \tilde{b}_0 \right) \left(x|\eta|, \frac{\eta}{|\eta|} \right) |\eta|^{-m} t^{-m} \\ &= \lambda_t^* \circ \hat{N}_\eta(B) t^{-m}. \end{aligned}$$

By construction, it is clear that the Bessel family map \hat{N} maps $\hat{\Psi}_{0\text{P}}^{-\infty, \mathcal{E}}(\partial X, X)$ surjectively onto the space of smooth sections of $\pi^* \Psi_{\text{P}}^{-\infty, \mathcal{E}_{\text{of}}}(N^+ \partial X)$ over $T^* \partial X \setminus 0$ which are fibrewise homogeneous of degree $-m$ in the sense above. Furthermore, the kernel of \hat{N} consists of the subclass $\hat{\Psi}_{0\text{P}}^{-\infty, (\mathcal{E}_{\text{of}}, \mathcal{E}_{\text{ff}} \setminus \{m\})}(\partial X, X)$.

4.2.3. The Bessel family of a symbolic 0-trace operator. The construction of the Bessel family map for symbolic 0-trace operators is carried out in a very similar way. As above, the Bessel map takes values in a space of fibrewise homogeneous sections of a natural Fréchet bundle over $T^* \partial X \setminus 0$. Let's recall its definition from §3.3. We denote by $\Psi_{\text{tr}}^{-\infty, \mathcal{E}_{\text{of}}}(\mathbb{R}_1^1)$ the space of operators $\dot{C}^\infty(\overline{\mathbb{R}}_1^1) \rightarrow \mathbb{C}$ of the form $f(\tilde{x}) d\tilde{x}$ for some $f(\tilde{x}) \in \mathcal{A}_{\text{phg}}^{(\mathcal{E}_{\text{of}}, \infty)}(\overline{\mathbb{R}}_1^1)$. This space is acted upon by \mathbb{R}^+ via the representation

$$\begin{aligned} \mathbb{R}^+ &\rightarrow \Psi_{\text{tr}}^{-\infty, \mathcal{E}_{\text{of}}}(\mathbb{R}_1^1) \\ t &\mapsto (A \mapsto A \circ \lambda_{t^{-1}}^*) \end{aligned}$$

and this allows us to define a bundle $\Psi_{\text{tr}}^{-\infty, \mathcal{E}_{\text{of}}}(N^+ \partial X) \rightarrow \partial X$, with typical fiber $\mathcal{A}_{\text{phg}}^{(\mathcal{E}_{\text{of}}, \infty)}(\overline{\mathbb{R}}_1^1)$, associated to $N^+ \partial X \setminus 0$ via the representation above. Given an operator $A \in \hat{\Psi}_{0\text{tr}}^{-\infty, \mathcal{E}}(X, \partial X)$ with $\mathcal{E} = (\mathcal{E}_{\text{of}}, \mathcal{E}_{\text{ff}})$ and $[\mathcal{E}_{\text{ff}}] = m \in \mathbb{C}$, the *Bessel family* of A is a smooth, fibrewise homogeneous

of degree $-m$, section of the Fréchet bundle $\pi^* \Psi_{\text{tr}}^{-\infty, \mathcal{E}_{\text{of}}} (N^+ \partial X) \rightarrow T^* \partial X \setminus 0$, and is defined as follows.

Choose $p \in \partial X$, and let (x, y) be coordinates for X centered at p and compatible with V . Then we can find a 0-trace symbol $a(y; \tilde{x}, \eta) \in S_{0, \text{tr}, S}^{-\infty, \mathcal{E}} (\mathbb{R}^n; \mathbb{R}_1^{n+1})$ such that in the induced coordinates $(y, \tilde{x}, \tilde{y})$ for $\partial X \times X$ centered at (p, p) we have

$$A \equiv \frac{1}{(2\pi)^n} \int e^{i(y-\tilde{y})\eta} a(y; \tilde{x}, \eta) d\eta d\tilde{x}.$$

Given $\eta \in T_p^* \partial X \setminus 0 \equiv \mathbb{R}^n \setminus 0$, we define

$$\hat{N}_\eta(A) = \lim_{t \rightarrow 0^+} t^{-m} a(0; t\tilde{x}, t^{-1}\eta) t d\tilde{x}.$$

We claim that this limit determines a density of the form

$$\hat{N}_\eta(A) = |\eta|^{-m} \tilde{a}_0 \left(\tilde{x} |\eta|, \frac{\eta}{|\eta|} \right) |\eta| d\tilde{x},$$

where $\tilde{a}_0(\tau, \hat{\eta}) \in \mathcal{A}_{\text{phg}}^{(\mathcal{E}_{\text{of}}, \infty)} (\overline{\mathbb{R}}_1^1 \times S^{n-1})$. To show this, we argue as in the 0-Poisson case: since $a(0; \tilde{x}, \eta) \in \mathcal{A}_{\text{phg}}^{(\mathcal{E}_{\text{of}}, \mathcal{E}_{\text{ff}}^{-1}, \infty, \infty)} (\hat{T}_0^2)$ and $[\mathcal{E}_{\text{ff}}] = m$, we can write $a(0; \tilde{x}, \eta)$ away from $|\eta| = 0$ as

$$a(0; \tilde{x}, \eta) = |\eta|^{-m+1} a_0 \left(\tilde{x} |\eta|, \frac{\eta}{|\eta|}, |\eta|^{-1} \right) + |\eta|^{-m} r \left(\tilde{x} |\eta|, \frac{\eta}{|\eta|}, |\eta|^{-1} \right),$$

where $a_0(\tau, \hat{\eta}, \rho)$ and $r(\tau, \hat{\eta}, \rho)$ are in $\mathcal{A}_{\text{phg}}^{(\mathcal{E}_{\text{of}}, \infty)} (\overline{\mathbb{R}}_1^1 \times S^{n-1}) \hat{\otimes} \mathcal{A}_{\text{phg}}^{\mathcal{E}_{\text{ff}}-m} (\mathbb{R}_1^1)$. Thus, we have

$$\lim_{t \rightarrow 0^+} t^{-m} a(0; t\tilde{x}, t^{-1}\eta) t d\tilde{x} = |\eta|^{-m} \tilde{a}_0 \left(\tilde{x} |\eta|, \frac{\eta}{|\eta|} \right) |\eta| d\tilde{x},$$

where $\tilde{a}_0(\tau, \hat{\eta}) = a_0(\tau, \hat{\eta}, 0) \in \mathcal{A}_{\text{phg}}^{(\mathcal{E}_{\text{of}}, \infty)} (\overline{\mathbb{R}}_1^1 \times S^{n-1})$. One proves exactly as in the 0-Poisson case that if two 0-trace symbols a_1, a_2 are such that $A = \text{Op}_L^{\text{tr}}(a_1) = \text{Op}_L^{\text{tr}}(a_2)$ in the chosen coordinates near the origin, then a_1 and a_2 must agree to infinite order at \mathbf{ff} , so $\hat{N}_\eta(A)$ depends only on A and the coordinate choices.

As mentioned above, the correspondence $\eta \mapsto \hat{N}_\eta(A)$ determines invariantly a smooth section of the Fréchet bundle $\pi^* \Psi_{\text{tr}}^{-\infty, \mathcal{E}_{\text{of}}} (N^+ \partial X) \rightarrow T^* \partial X \setminus 0$, fibrewise homogeneous of degree $-m$. Let's check this at the fiber $T_p^* \partial X \setminus 0$ in the coordinates above. We have

$$\hat{N}_{t\eta}(A) = t^{-m+1} |\eta|^{-m} \tilde{a}_0 \left(t\tilde{x} |\eta|, \frac{\eta}{|\eta|} \right) |\eta| d\tilde{x}.$$

On the other hand, we have

$$\begin{aligned} t^{-m} \hat{N}_\eta(A) (\lambda_{t^{-1}}^* u) &= t^{-m} \int |\eta|^{-m} \tilde{a}_0 \left(\tilde{x} |\eta|, \frac{\eta}{|\eta|} \right) u(t^{-1}\tilde{x}) |\eta| d\tilde{x} \\ &= t^{-m} \int |\eta|^{-m} \tilde{a}_0 \left(t\tilde{X} |\eta|, \frac{\eta}{|\eta|} \right) u(\tilde{X}) |\eta| t d\tilde{X} \end{aligned}$$

so indeed we get

$$\hat{N}_{t\eta}(A) = t^{-m} \hat{N}_\eta(A) \circ \lambda_{t^{-1}}^*$$

as claimed.

4.2.4. The Bessel family of a 0-interior or 0b-interior operator. We finally discuss the Bessel family map for the classes of 0-interior and 0b-interior operators. As above, we first define the Fréchet bundles where the Bessel family lives. For the 0-interior case, we already encountered the relevant Fréchet bundle in §3.3 where we discussed the Bessel family $\hat{N}(P_1)$ of the orthogonal projector P_1 onto the kernel of a 0-elliptic operator L .

Fix index sets $\mathcal{E}_{\text{lf}}, \mathcal{E}_{\text{rf}}, \mathcal{E}_{\text{fb}}, \mathcal{E}_{\text{ff}_0}$. Define $\Psi^{-\infty, (\mathcal{E}_{\text{lf}}, \mathcal{E}_{\text{rf}})} (\mathbb{R}_1^1)$ as the space of operators $\dot{C}^\infty (\overline{\mathbb{R}}_1^1) \rightarrow C^{-\infty} (\overline{\mathbb{R}}_1^1)$ given by right densities $f(x, \tilde{x}) d\tilde{x}$, where $f \in \mathcal{A}_{\text{phg}}^{(\mathcal{E}_{\text{lf}}, \mathcal{E}_{\text{rf}}, \infty)} (\overline{\mathbb{R}}_2^2)$. Again, the space $\Psi^{-\infty, (\mathcal{E}_{\text{lf}}, \mathcal{E}_{\text{rf}})} (\mathbb{R}_1^1)$ is acted upon by \mathbb{R}^+ via the representation associating $t \in \mathbb{R}^+$ to the conjugation $\lambda_t^* \circ \circ \lambda_{t^{-1}}^*$, and this allows us to define the associated Fréchet bundle $\Psi^{-\infty, (\mathcal{E}_{\text{lf}}, \mathcal{E}_{\text{rf}})} (N^+ \partial X) \rightarrow \partial X$.

Similarly, define $\Psi_b^{-\infty, (\mathcal{E}_{\text{lf}}, \mathcal{E}_{\text{rf}}, \mathcal{E}_{\text{fb}})}(\mathbb{R}_1^1)$ as the space of operators $\dot{C}^\infty(\overline{\mathbb{R}}_1^1) \rightarrow C^{-\infty}(\overline{\mathbb{R}}_1^1)$ given by *distributional* right densities $f(x, \tilde{x}) d\tilde{x}$, where f *lifts* from $\overline{\mathbb{R}}_2^2$ to an element of $\mathcal{A}_{\text{phg}}^{(\mathcal{E}_{\text{lf}}, \mathcal{E}_{\text{rf}}, \mathcal{E}_{\text{fb}} - 1, \infty)}(\overline{\mathbb{R}}_2^2 : 0)$. Here the index set $\mathcal{E}_{\text{fb}} - 1$ refers to the front face of the blow-up $\overline{\mathbb{R}}_2^2 : 0$. Again, the conjugation action $t \mapsto \lambda_t^* \circ \cdot \circ \lambda_{t-1}^*$ determines a representation of \mathbb{R}^+ in $\Psi_b^{-\infty, (\mathcal{E}_{\text{lf}}, \mathcal{E}_{\text{rf}}, \mathcal{E}_{\text{fb}})}(\mathbb{R}_1^1)$, and therefore we can define the bundle $\Psi_b^{-\infty, (\mathcal{E}_{\text{lf}}, \mathcal{E}_{\text{rf}}, \mathcal{E}_{\text{fb}})}(N^+ \partial X) \rightarrow \partial X$ as an associated bundle to $N^+ \partial X \setminus O$.

If $P \in \hat{\Psi}_0^{-\infty, (\mathcal{E}_{\text{lf}}, \mathcal{E}_{\text{rf}}, \mathcal{E}_{\text{fb}_0})}(X)$ and $[\mathcal{E}_{\text{fb}_0}] = m$, then its Bessel family $\hat{N}(P)$ is a smooth section of the pull-back bundle $\pi^* \Psi_b^{-\infty, (\mathcal{E}_{\text{lf}}, \mathcal{E}_{\text{rf}})}(N^+ \partial X) \rightarrow T^* \partial X \setminus 0$, fibrewise homogeneous of degree $-m$, in the sense that

$$\hat{N}_{t\eta}(P) = t^{-m} \lambda_t^* \circ \hat{N}_\eta(P) \circ \lambda_{t-1}^*.$$

Similarly, if $P \in \hat{\Psi}_{0b}^{-\infty, (\mathcal{E}_{\text{lf}}, \mathcal{E}_{\text{rf}}, \mathcal{E}_{\text{fb}}, \mathcal{E}_{\text{fb}_0})}(X)$ and $[\mathcal{E}_{\text{fb}_0}] = m$, then its Bessel family $\hat{N}(P)$ is a smooth section of the pull-back bundle $\pi^* \Psi_b^{-\infty, (\mathcal{E}_{\text{lf}}, \mathcal{E}_{\text{rf}}, \mathcal{E}_{\text{fb}})}(N^+ \partial X) \rightarrow T^* \partial X \setminus 0$, fibrewise homogeneous of degree $-m$.

The definition is similar to the previous two cases. Let P be either in $P \in \hat{\Psi}_0^{-\infty, (\mathcal{E}_{\text{lf}}, \mathcal{E}_{\text{rf}}, \mathcal{E}_{\text{fb}_0})}(X)$ or in $\hat{\Psi}_{0b}^{-\infty, (\mathcal{E}_{\text{lf}}, \mathcal{E}_{\text{rf}}, \mathcal{E}_{\text{fb}}, \mathcal{E}_{\text{fb}_0})}(X)$. Let $q \in \partial X$, and let (x, y) be coordinates for X centered at q . Then there exists a 0-interior or 0b-interior symbol $p(y; x, \tilde{x}, \eta)$ such that, near the origin in the induced coordinates $(x, y, \tilde{x}, \tilde{y})$ for X^2 centered at (q, q) , we have

$$P \equiv \frac{1}{(2\pi)^n} \int e^{i(y-\tilde{y})\eta} p(y; x, \tilde{x}, \eta) d\eta d\tilde{x} d\tilde{y}.$$

Given $\eta \in T_q^* \partial X \setminus 0 \equiv \mathbb{R}^n \setminus 0$, we define

$$\hat{N}_\eta(P) = \lim_{t \rightarrow 0^+} t^{-m} p(0; tx, t\tilde{x}, t^{-1}\eta) t d\tilde{x}.$$

This limit takes the form

$$\hat{N}_\eta(P) = |\eta|^{-m} \tilde{p}_0 \left(x |\eta|, \tilde{x} |\eta|, \frac{\eta}{|\eta|} \right) |\eta| d\tilde{x};$$

in the 0-interior case, we have $\tilde{p}_0(\tau, \tilde{\tau}, \hat{\eta}) \in \mathcal{A}_{\text{phg}}^{(\mathcal{E}_{\text{lf}}, \mathcal{E}_{\text{rf}}, \infty)}(\overline{\mathbb{R}}_2^2 \times S^{n-1})$, while in the 0b-interior case the function $\tilde{p}_0(\tau, \tilde{\tau}, \hat{\eta})$ *lifts* to a polyhomogeneous function in $\mathcal{A}_{\text{phg}}^{(\mathcal{E}_{\text{lf}}, \mathcal{E}_{\text{rf}}, \mathcal{E}_{\text{fb}} - 1, \infty)}(\overline{\mathbb{R}}_2^2 : 0 \times S^{n-1})$. To find \tilde{p}_0 , in both cases we write

$$\begin{aligned} p(0; x, \tilde{x}, \eta) &= p_0 \left(x |\eta|, \tilde{x} |\eta|, \frac{\eta}{|\eta|}, |\eta|^{-1} \right) |\eta|^{-m+1} \\ &\quad + r \left(x |\eta|, \tilde{x} |\eta|, \frac{\eta}{|\eta|}, |\eta|^{-1} \right) |\eta|^{-m}, \end{aligned}$$

where in the 0-interior case $p_0(\tau, \tilde{\tau}, \hat{\eta}, \rho)$ is in $\mathcal{A}_{\text{phg}}^{(\mathcal{E}_{\text{lf}}, \mathcal{E}_{\text{rf}}, \infty)}(\overline{\mathbb{R}}_2^2 \times S^{n-1}) \hat{\otimes} \mathcal{A}_{\text{phg}}^{\mathcal{E}_{\text{fb}_0} - m}(\mathbb{R}_1^1)$, while in the 0b-interior case $p_0(\tau, \tilde{\tau}, \hat{\eta}, \rho)$ *lifts* to an element of $\mathcal{A}_{\text{phg}}^{(\mathcal{E}_{\text{lf}}, \mathcal{E}_{\text{rf}}, \mathcal{E}_{\text{fb}} - 1, \infty)}(\overline{\mathbb{R}}_2^2 : 0 \times S^{n-1}) \hat{\otimes} \mathcal{A}_{\text{phg}}^{\mathcal{E}_{\text{fb}_0} - m}(\mathbb{R}_1^1)$. $\tilde{p}_0(\tau, \tilde{\tau}, \hat{\eta})$ is simply the evaluation of $p_0(\tau, \tilde{\tau}, \hat{\eta}, \rho)$ to $\rho = 0$. One can again check that if p_1, p_2 are two symbols such that $P \equiv \text{Op}_L^{\text{int}}(p_1) \equiv \text{Op}_L^{\text{int}}(p_2)$ near the origin, then p_1 and p_2 must agree to infinite order at fb_0 , so the coefficient $\tilde{p}_0(\tau, \tilde{\tau}, \hat{\eta})$ is in fact only dependent on P and on the choice of coordinates. Finally, let us check the homogeneity property: we have

$$\begin{aligned} \lambda_t^* \circ \hat{N}_\eta(P) \circ \lambda_{t-1}^* &= |\eta|^{-m} \tilde{p}_0 \left(tx |\eta|, t\tilde{x} |\eta|, \frac{\eta}{|\eta|} \right) |\eta| t d\tilde{x} \\ \hat{N}_{t\eta}(P) &= t^{-m} |\eta|^{-m} \tilde{p}_0 \left(tx |\eta|, t\tilde{x} |\eta|, \frac{\eta}{|\eta|} \right) |\eta| t d\tilde{x}, \end{aligned}$$

from which it follows that

$$\hat{N}_{t\eta}(P) = t^{-m} \lambda_t^* \circ \hat{N}_\eta(P) \circ \lambda_{t-1}^*$$

as claimed.

Remark 4.24. We previously claimed (cf. Remark 4.23) that the elements of the 0-calculus $\Psi_0^{-\infty, \bullet}(X)$ are in general *not* 0-interior operators. The Bessel family map described above shows why. If P is in $\Psi_0^{-\infty, (\mathcal{E}_{\text{lf}}, \mathcal{E}_{\text{rf}}, \mathcal{E}_{\text{ff}_0})}(X)$, then by the Pull-back Theorem we have $P \in \Psi_{0b}^{-\infty, (\mathcal{E}_{\text{lf}}, \mathcal{E}_{\text{rf}}, \mathcal{E}_{\text{ff}_b}, \mathcal{E}_{\text{ff}_0})}(X)$, where $\mathcal{E}_{\text{ff}_b} = \mathcal{E}_{\text{lf}} + \mathcal{E}_{\text{rf}} + 1$. It follows then by Corollary 4.16 that $P \in \Psi_{0b}^{-\infty, (\mathcal{E}_{\text{lf}}, \mathcal{E}_{\text{rf}}, \tilde{\mathcal{E}}_{\text{ff}_b}, \mathcal{E}_{\text{ff}_0})}(X)$, where $\tilde{\mathcal{E}}_{\text{ff}_b} = \mathcal{E}_{\text{ff}_b} \bar{\cup} (\mathcal{E}_{\text{lf}} + \mathcal{E}_{\text{rf}} + 1)$. Therefore, if $[\mathcal{E}_{\text{ff}_0}] = m$, then the Bessel family $\hat{N}(P)$ is a smooth, fibrewise homogeneous of degree $-m$, section of $\pi^* \Psi_b^{-\infty, (\mathcal{E}_{\text{lf}}, \mathcal{E}_{\text{rf}}, \tilde{\mathcal{E}}_{\text{ff}_b})}(N^+ \partial X) \rightarrow T^* \partial X \setminus 0$. This is generically the best we can say. In particular, it is in general *not true* that $\hat{N}(P)$ is a section of $\pi^* \Psi^{-\infty, (\mathcal{E}_{\text{lf}}, \mathcal{E}_{\text{rf}})}(N^+ \partial X) \rightarrow T^* \partial X \setminus 0$, and therefore in general P is *not* a 0-interior operator. An example of this phenomenon comes from the parametrix construction for 0-elliptic operators carried out in [Maz91]. More precisely, if $L \in \text{Diff}_0^m(X)$ is 0-elliptic with constant indicial roots, and $\delta \in \mathbb{R}$ is an invertible weight, then one can construct an operator $Q \in \Psi_0^{-m}(X) + \Psi_0^{-\infty, \mathcal{H}}(X)$, with $\mathcal{H} = (\mathcal{H}_{\text{lf}}, \mathcal{H}_{\text{rf}}, \mathcal{H}_{\text{ff}_0})$ satisfying $\Re(\mathcal{H}_{\text{lf}}) > \delta$, $\Re(\mathcal{H}_{\text{rf}}) > -\delta - 1$, and $[\mathcal{H}_{\text{ff}_0}] = 0$, such that LQ and QL differ from the identity by very residual operators. The crucial step in the construction of Q is the inversion of the Bessel family $\hat{N}(L)$: it is explained in [Maz91] (see also [Hin23a]) that, decomposing $Q = Q_0 + Q_1$ with $Q_0 \in \Psi_0^{-m}(X)$ and $Q_1 \in \Psi_0^{-\infty, \mathcal{H}}(X)$, then for any $p \in \partial X$ and $\eta \in T_p^* \partial X \setminus 0$, we have

$$\begin{aligned} \hat{N}_\eta(Q_0) &\in \Psi_{b, \text{sc}}^{-m}(N_p^+ \partial X) \\ \hat{N}_\eta(Q_1) &\in \Psi_b^{-\infty, \mathcal{H}}(N_p^+ \partial X). \end{aligned}$$

The space $\Psi_{b, \text{sc}}^{-m}(N_p^+ \partial X)$ where $\hat{N}_\eta(Q_0)$ lives is the *b-scattering calculus* on $N_p^+ \partial X$, and we do not need to recall it here. The main point for us is that $\hat{N}_\eta(Q_1)$ is *not* a very residual operator on $N_p^+ \partial X$. Therefore Q_1 is an element of the large residual 0-calculus, but it is not a 0-interior operator.

4.3. Twisted symbolic 0-trace and 0-Poisson operators. In the previous subsections, we introduced the classes $\hat{\Psi}_{0\text{tr}}^{-\infty, \bullet}(X, \partial X)$ and $\hat{\Psi}_{0\text{P}}^{-\infty, \bullet}(\partial X, X)$, and we constructed the Bessel family maps, associating to elements of $\hat{\Psi}_{0\text{tr}}^{-\infty, \bullet}(X, \partial X)$ (resp. $\hat{\Psi}_{0\text{P}}^{-\infty, \bullet}(\partial X, X)$) fibrewise homogeneous sections of certain Fréchet bundles over $T^* \partial X \setminus 0$.

Now, in §3.3, we constructed the *Bessel trace family* $\hat{N}(\mathbf{A}_L)$ for a 0-elliptic operator $L \in \text{Diff}_0^m(X)$ with constant indicial roots, relative to a surjective, not injective weight δ for L . More precisely, $\hat{N}(\mathbf{A}_L)$ depends on auxiliary choices of a vector field V transversal to X and inward-pointing, a boundary defining function x compatible with V , and a smooth positive density ω on X . Given these choices, for $p \in \partial X$ and $\eta \in T_p^* \partial X \setminus 0$, $\hat{N}_\eta(\mathbf{A}_L)$ maps functions $u \in x^\delta L_b^2(N_p^+ \partial X)$ to the terms in the expansion of $\hat{N}_\eta(P_1)u$ (the orthogonal projection of u onto the kernel of $\hat{N}_\eta(L)$, with respect to the inner product induced by the choices above) corresponding to the critical indicial roots of L . As such, $\hat{N}_\eta(\mathbf{A}_L)$ takes values in the fibre $\mathbf{E}_{L|p}$, where

$$\mathbf{E}_L = \bigoplus_{\mu \text{ critical}} E_{\mu, \tilde{M}_\mu}$$

and $E_{\mu, \tilde{M}_\mu} \rightarrow \partial X$ is the bundle whose sections are the fibrewise log-homogeneous functions on $N^+ \partial X$ of degree $\leq (\mu, \tilde{M}_\mu)$ (cf. §3.1.3). We observed that \mathbf{E}_L comes equipped with a natural endomorphism $\mathfrak{s}_L : \mathbf{E}_L \rightarrow \mathbf{E}_L$ with constant eigenvalues, induced by the action of the canonical dilation invariant vector field on $N^+ \partial X$ tangent to the fibres. This endomorphism has constant eigenvalues, corresponding to the critical indicial roots of L . We then observed that $\hat{N}(\mathbf{A}_L)$ is a smooth section of $\pi^* \Psi_{\text{tr}}^{-\infty, \mathcal{E}_{\text{rf}}}(N^+ \partial X; \mathbf{E}_L) \rightarrow T^* \partial X \setminus 0$, *fibrewise twisted homogeneous of degree* \mathfrak{s}_L , in the sense that for every $\eta \in T^* \partial X \setminus 0$ and $t \in \mathbb{R}^+$, we have

$$\hat{N}_{t\eta}(\mathbf{A}_L) = t^{\mathfrak{s}_L} \hat{N}_\eta(\mathbf{A}_L) \circ \lambda_{t^{-1}}^*.$$

Furthermore, in §3.4, in order to solve our model boundary value problem at the Bessel level, we had to construct a *Bessel Poisson family* $\hat{N}(\mathbf{B})$ associated to an elliptic boundary condition. This Bessel Poisson family $\hat{N}(\mathbf{B})$ is a smooth section of $\pi^* \Psi_{\text{P}}^{-\infty, \mathcal{E}_{\text{lf}}}(N^+ \partial X; \mathbf{E}_L^*) \rightarrow T^* \partial X \setminus 0$. Given

$p \in \partial X$ and $\eta \in T_p^* \partial X \setminus 0$, $\hat{N}_\eta(\mathbf{B})$ maps a vector $\varphi \in \mathbf{E}_{L|p}$ to the unique $x^\delta L_b^2$ solution u of $\hat{N}_\eta(L)u = 0$ for which its trace $\hat{N}_\eta(\mathbf{A}_L)u$ equals a certain projection of φ onto the range of $\hat{N}_\eta(\mathbf{A}_L)$, where this projection is determined by the boundary condition. We observed that this time $\hat{N}(\mathbf{B})$ is *fibrewise twisted homogeneous* of degree $-\mathfrak{s}_L$, meaning that for every $\eta \in T^* \partial X \setminus 0$ and every $t \in \mathbb{R}^+$, we have

$$\hat{N}_{t\eta}(\mathbf{B}) = \lambda_t^* \circ \hat{N}_\eta(\mathbf{B}) t^{-\mathfrak{s}_L}.$$

From this discussion, we see the need to generalize the classes $\hat{\Psi}_{0\text{tr}}^{-\infty, \bullet}(X, \partial X)$ and $\hat{\Psi}_{0\text{P}}^{-\infty, \bullet}(\partial X, X)$ to classes whose Bessel families are fibrewise *twisted* homogeneous sections of the relevant Fréchet bundles over $T^* \partial X \setminus 0$. In this subsection, we construct these generalizations, which we call *twisted symbolic 0-trace* and *0-Poisson operators*.

4.3.1. *Definitions.* Let us establish some notations and some easy properties. Let $\mathbf{E} \rightarrow \partial X$ be a complex vector bundle, and let $\mathfrak{s} : \mathbf{E} \rightarrow \mathbf{E}$ be a smooth bundle endomorphism with constant eigenvalues. Enumerate the eigenvalues of \mathfrak{s} as $\boldsymbol{\mu} = (\mu_1, \dots, \mu_I)$. The fact that the eigenvalues are constant implies that the algebraic multiplicity M_i of μ_i is constant as well, for every i . Recall that the *generalized eigenbundle* of \mathfrak{s} with respect to μ_i is the kernel of $(\mathfrak{s} - \mu_i)^{M_i}$.

Lemma 4.25. *The generalized eigenbundle E_i of \mathfrak{s} with respect to μ_i is a smooth subbundle of \mathbf{E} of rank M_i . The bundle \mathbf{E} decomposes as the direct sum $\mathbf{E} = \bigoplus_i E_i$, and \mathfrak{s} decomposes accordingly as $\mathfrak{s} = \bigoplus_i \mathfrak{s}_i$ where $\mathfrak{s}_i : E_i \rightarrow E_i$ has a unique eigenvalue μ_i .*

Proof. The fact that, for every $p \in \partial X$, the fiber $E_i|_p$ has dimension M_i is a standard linear algebra fact. Now, the endomorphism $(\mathfrak{s} - \mu_i)^{M_i}$ acts fibrewise isomorphically on $\bigoplus_{j \neq i} E_j$. It follows that $(\mathfrak{s} - \mu_i)^{M_i}$, as an endomorphism of \mathbf{E} , has constant rank. This guarantees that E_i is a smooth subbundle of \mathbf{E} . \square

Remark 4.26. The example we need to keep in mind is the bundle $\mathbf{E}_L \rightarrow \partial X$ associated to a 0-elliptic operator L with constant indicial roots and a surjective, not injective weight δ . \mathbf{E}_L comes equipped with an endomorphism \mathfrak{s}_L whose eigenvalues are the indicial roots of L . It is easy to check that the decomposition \mathbf{E}_L as a direct sum $\bigoplus_{\mu \text{ critical}} E_{\mu, \tilde{M}_\mu}$, and the corresponding decomposition $\mathfrak{s}_L = \bigoplus_{\mu \text{ critical}} \mathfrak{s}_{\mu, \tilde{M}_\mu}$, correspond precisely to the generalized eigenbundle decomposition of \mathbf{E}_L with respect to \mathfrak{s}_L .

We now discuss the local theory. Fix $M \in \mathbb{N}$. We will now define subclasses of $\hat{\Psi}_{0\text{P}, \mathcal{S}}^{-\infty, \bullet}(\mathbb{R}^n, \mathbb{C}^M; \mathbb{R}_1^{n+1})$ and $\hat{\Psi}_{0\text{tr}, \mathcal{S}}^{-\infty, \bullet}(\mathbb{R}_1^{n+1}; \mathbb{R}^n, \mathbb{C}^M)$, which we call the classes of *twisted 0-Poisson* and *0-trace operators*. In what follows, we distinguish the space \mathbb{C}^M , whose elements are interpreted as column vectors, from its dual $(\mathbb{C}^M)^*$ whose elements are interpreted as row vectors.

Definition 4.27. (Twisted 0-trace and 0-Poisson symbols) Let $\mathfrak{s} : \overline{\mathbb{R}}^n \rightarrow \mathfrak{gl}(M, \mathbb{C})$, $\mathfrak{s} = \mathfrak{s}(y)$, be a smooth family of matrices *with a constant, single eigenvalue*. We define

$$\begin{aligned} S_{0\text{P}, \mathcal{S}}^{-\infty, \mathcal{E}, \mathfrak{s}}(\mathbb{R}^n; \mathbb{R}_1^{n+1}; (\mathbb{C}^M)^*) &= S_{0\text{P}, \mathcal{S}}^{-\infty, \mathcal{E}}(\mathbb{R}^n; \mathbb{R}_1^{n+1}; (\mathbb{C}^M)^*) \langle \eta \rangle^{\mathfrak{s}(y)} \\ S_{0\text{tr}, \mathcal{S}}^{-\infty, \mathcal{E}, \mathfrak{s}}(\mathbb{R}^n; \mathbb{R}_1^{n+1}; \mathbb{C}^M) &= \langle \eta \rangle^{-\mathfrak{s}(y)} S_{0\text{tr}, \mathcal{S}}^{-\infty, \mathcal{E}}(\mathbb{R}^n; \mathbb{R}_1^{n+1}; \mathbb{C}^M). \end{aligned}$$

We call the elements of $S_{0\text{P}, \mathcal{S}}^{-\infty, \mathcal{E}, \mathfrak{s}}(\mathbb{R}^n; \mathbb{R}_1^{n+1}; (\mathbb{C}^M)^*)$ (resp. $S_{0\text{tr}, \mathcal{S}}^{-\infty, \mathcal{E}, \mathfrak{s}}(\mathbb{R}^n; \mathbb{R}_1^{n+1}; \mathbb{C}^M)$) *twisted 0-Poisson symbols* (resp. *twisted 0-trace symbols*).

Remark 4.28. Note the different sign convention for the exponent of the twisting factor in the 0-trace and 0-Poisson cases. This is just an arbitrary choice, made in order to make the composition theorems look more natural.

Remark 4.29. If μ is the only eigenvalue of \mathfrak{s} , call $\mathfrak{s}' = \mathfrak{s} - \mu$. Then \mathfrak{s}' is a smooth family of *nilpotent* matrices, and

$$\begin{aligned} S_{0\text{P}, \mathcal{S}}^{-\infty, \mathcal{E}, \mathfrak{s}}(\mathbb{R}^n; \mathbb{R}_1^{n+1}; (\mathbb{C}^M)^*) &= S_{0\text{P}, \mathcal{S}}^{-\infty, (\mathcal{E}_{\text{of}}, \mathcal{E}_{\text{ff}} - \mu), \mathfrak{s}'}(\mathbb{R}^n; \mathbb{R}_1^{n+1}; (\mathbb{C}^M)^*) \\ S_{0\text{tr}, \mathcal{S}}^{-\infty, \mathcal{E}, \mathfrak{s}}(\mathbb{R}^n; \mathbb{R}_1^{n+1}; \mathbb{C}^M) &= S_{0\text{tr}, \mathcal{S}}^{-\infty, (\mathcal{E}_{\text{of}}, \mathcal{E}_{\text{ff}} + \mu), \mathfrak{s}'}(\mathbb{R}^n; \mathbb{R}_1^{n+1}; \mathbb{C}^M). \end{aligned}$$

For this reason, it is sufficient to establish the local theory when \mathfrak{s} is nilpotent.

The next lemma shows that twisted 0-trace and 0-Poisson symbols can be interpreted as (vector-valued) un-twisted 0-trace and 0-Poisson symbols.

Lemma 4.30. *Let $\mathfrak{s} : \overline{\mathbb{R}}^n \rightarrow \mathfrak{gl}(M, \mathbb{C})$ be a smooth family of matrices with a single constant eigenvalue $\mu \in \mathbb{C}$, and let $\mathcal{E} = (\mathcal{E}_{\text{of}}, \mathcal{E}_{\text{ff}})$ be a pair of index sets. Then*

$$\begin{aligned} S_{0\text{P},\mathcal{S}}^{-\infty,\mathcal{E},\mathfrak{s}}(\mathbb{R}^n; \mathbb{R}_1^{n+1}; (\mathbb{C}^M)^*) &\subseteq S_{0\text{P},\mathcal{S}}^{-\infty,(\mathcal{E}_{\text{of}},\mathcal{F})}(\mathbb{R}^n; \mathbb{R}_1^{n+1}; (\mathbb{C}^M)^*) \\ S_{0\text{tr},\mathcal{S}}^{-\infty,\mathcal{E},\mathfrak{s}}(\mathbb{R}^n; \mathbb{R}_1^{n+1}; \mathbb{C}^M) &\subseteq S_{0\text{tr},\mathcal{S}}^{-\infty,(\mathcal{E}_{\text{of}},\mathcal{G})}(\mathbb{R}^n; \mathbb{R}_1^{n+1}; \mathbb{C}^M), \end{aligned}$$

where \mathcal{F} (resp. \mathcal{G}) is the index set generated by the pairs $(\alpha - \mu, k + l)$ (resp. $(\alpha + \mu, k + l)$) such that $(\alpha, k) \in \mathcal{E}_{\text{ff}}$ and $0 \leq l < M$.

Proof. We prove only the 0-Poisson case, since the 0-trace case is essentially equal. Consider a twisted 0-Poisson symbol of the form

$$\tilde{b}(y; x, \eta) = b(y; x, \eta) \langle \eta \rangle^{\mathfrak{s}(y)},$$

with $b \in S_{0\text{P},\mathcal{S}}^{-\infty,\mathcal{E}}$, so that $\tilde{b} \in S_{0\text{P},\mathcal{S}}^{-\infty,\mathcal{E},\mathfrak{s}}$. Since $\mathfrak{s}(y)$ has a unique constant eigenvalue μ , the difference $\mathfrak{s}'(y) = \mathfrak{s}(y) - \mu$ is a smooth family of nilpotent matrices, and therefore we can write

$$\langle \eta \rangle^{\mathfrak{s}(y)} = \langle \eta \rangle^\mu \sum_{j < M} \frac{1}{j!} (\log \langle \eta \rangle)^j (\mathfrak{s}'(y))^j.$$

Now, observe that $\langle \eta \rangle$ has index sets 0 at the faces of, if_x of \hat{P}^2 , while it has index set -1 at if_η . Consequently, by the Pull-back Theorem, its lift to \hat{P}_0^2 has index sets $(0, -1, -1, 0)$. It follows that $\langle \eta \rangle^\mu (\log \langle \eta \rangle)^j$ has index set generated by $(-\mu, j)$ at ff and if_η , and 0 at of and if_x . Since the entries of \mathfrak{s}' are smooth in $\overline{\mathbb{R}}^n$, it follows that the entries of $\langle \eta \rangle^{\mathfrak{s}(y)}$ are in $C^\infty(\overline{\mathbb{R}}^n) \hat{\otimes} \mathcal{A}_{\text{phg}}^{(0,\tilde{\mathcal{F}},\tilde{\mathcal{F}},0)}(\hat{P}_0^2)$ where $\tilde{\mathcal{F}}$ is the index set generated by the pairs $(-\mu, j)$ for $j < M$. Since the entries of $b(y; x, \eta)$ are in $S_{0\text{P},\mathcal{S}}^{-\infty,\mathcal{E}}(\mathbb{R}^n; \mathbb{R}_1^{n+1}) = \mathcal{S}(\mathbb{R}^n) \hat{\otimes} \mathcal{A}_{\text{phg}}^{(\mathcal{E}_{\text{of}},\mathcal{E}_{\text{ff}},\infty,\infty)}(\hat{P}_0^2)$, it follows that the entries of $\tilde{b}(y; x, \eta)$ are in $\mathcal{S}(\mathbb{R}^n) \hat{\otimes} \mathcal{A}_{\text{phg}}^{(\mathcal{E}_{\text{of}},\mathcal{E}_{\text{ff}}+\tilde{\mathcal{F}},\infty,\infty)}(\hat{P}_0^2)$. The index set \mathcal{F} defined in the statement of the lemma is exactly $\mathcal{E}_{\text{ff}} + \tilde{\mathcal{F}}$, so the proof is concluded. \square

We now define the local version of the twisted 0-trace and 0-Poisson classes:

Definition 4.31. (Local twisted symbolic 0-trace operators) Let $\mathfrak{s} : \overline{\mathbb{R}}^n \rightarrow \mathfrak{gl}(M, \mathbb{C})$ be a smooth family of matrices with a single constant eigenvalue, and let $\mathcal{E} = (\mathcal{E}_{\text{of}}, \mathcal{E}_{\text{ff}})$ be a pair of index sets. We denote by $\hat{\Psi}_{0\text{tr},\mathcal{S}}^{-\infty,\mathcal{E},\mathfrak{s}}(\mathbb{R}_1^{n+1}; \mathbb{R}^n, \mathbb{C}^M)$ the class of operators $\dot{C}^\infty(\overline{\mathbb{R}}_1^1 \times \overline{\mathbb{R}}^n) \rightarrow \mathcal{S}'(\mathbb{R}^n; \mathbb{C}^M)$ of the form $\text{Op}_L^{\text{tr}}(a)$, where $a \in S_{0\text{tr},\mathcal{S}}^{-\infty,\mathcal{E},\mathfrak{s}}(\mathbb{R}_1^{n+1}; \mathbb{R}^n, \mathbb{C}^M)$.

Definition 4.32. (Local twisted symbolic 0-Poisson operators) Let $\mathfrak{s} : \overline{\mathbb{R}}^n \rightarrow \mathfrak{gl}(M, \mathbb{C})$ be a smooth family of matrices with a single constant eigenvalue, and let $\mathcal{E} = (\mathcal{E}_{\text{of}}, \mathcal{E}_{\text{ff}})$ be a pair of index sets. We denote by $\hat{\Psi}_{0\text{P},\mathcal{S}}^{-\infty,\mathcal{E},\mathfrak{s}}(\mathbb{R}^n, \mathbb{C}^M; \mathbb{R}_1^{n+1})$ the class of operators $\mathcal{S}(\mathbb{R}^n; \mathbb{C}^M) \rightarrow C^{-\infty}(\overline{\mathbb{R}}_1^1 \times \overline{\mathbb{R}}^n)$ of the form $\text{Op}_L^{\text{P}}(b)$, where $b \in S_{0\text{P},\mathcal{S}}^{-\infty,\mathcal{E},\mathfrak{s}}(\mathbb{R}^n; \mathbb{R}_1^{n+1}; (\mathbb{C}^M)^*)$.

Lemma 4.30 guarantees that if $A \in \hat{\Psi}_{0\text{tr},\mathcal{S}}^{-\infty,\mathcal{E},\mathfrak{s}}(\mathbb{R}_1^{n+1}; \mathbb{R}^n, \mathbb{C}^M)$ and $B \in \hat{\Psi}_{0\text{P},\mathcal{S}}^{-\infty,\mathcal{E},\mathfrak{s}}(\mathbb{R}^n, \mathbb{C}^M; \mathbb{R}_1^{n+1})$, then the Schwartz kernels of A and B are polyhomogeneous with index set \mathcal{E}_{of} away from a neighborhood of $\partial\Delta$. We can thus pass immediately to the definition on manifolds. Fix a smooth vector bundle $\mathbf{E} \rightarrow \partial X$, equipped with a smooth endomorphism $\mathfrak{s} : \mathbf{E} \rightarrow \mathbf{E}$ with constant eigenvalues. Call $\boldsymbol{\mu} = (\mu_1, \dots, \mu_I)$ the vector of eigenvalues of \mathfrak{s} , and decompose $\mathbf{E} = \bigoplus_i E_i$ and $\mathfrak{s} = \bigoplus_i \mathfrak{s}_i$ into generalized eigenbundles. Call M_i the rank of E_i .

Definition 4.33. (Twisted symbolic 0-trace operators) Let $\mathcal{E} = (\mathcal{E}_{\text{of}}, \mathcal{E}_{\text{ff}})$ be a pair of index sets. We define $\hat{\Psi}_{0\text{tr}}^{-\infty,(\mathcal{E}_{\text{of}},[\mathcal{E}_{\text{ff}}]),\mathfrak{s}}(X; \partial X, \mathbf{E})$ as the space of operators $\mathbf{A} : \dot{C}^\infty(X) \rightarrow C^{-\infty}(\partial X; \mathbf{E})$ of the form

$$\mathbf{A} = \begin{pmatrix} A^1 \\ \vdots \\ A^I \end{pmatrix},$$

where $A^i : \dot{C}^\infty(X) \rightarrow C^{-\infty}(\partial X; E_i)$ satisfies the following properties:

- (1) in the complement of any neighborhood of $\partial\Delta$, K_{A_i} coincides with a residual trace operator in $\Psi_{0\text{tr}}^{-\infty, \mathcal{E}_{\text{of}}}(X; \partial X, E_i)$;
- (2) for every $p \in \partial X$, given coordinates (x, y) centered at p such that $Vx \equiv 1$ near p , and a local frame for E_i defined near p , denote by $\mathfrak{s}_i(y)$ the local expression of \mathfrak{s}_i in the given coordinates and frame; then there exists an index set $\tilde{\mathcal{E}}_{\mathfrak{ff}}$ with $[\tilde{\mathcal{E}}_{\mathfrak{ff}}] = [\mathcal{E}_{\mathfrak{ff}}]$, and a twisted 0-trace symbol $\langle \eta \rangle^{-s(y)} a(y; \tilde{x}, \eta) \in S_{0\text{tr}, \mathcal{S}}^{-\infty, (\mathcal{E}_{\text{of}}, \tilde{\mathcal{E}}_{\mathfrak{ff}}), \mathfrak{s}}(\mathbb{R}^n; \mathbb{R}_1^{n+1}; \mathbb{C}^{M_i})$ such that in the chosen coordinates and frame we have

$$K_{A_i} = \frac{1}{(2\pi)^n} \int e^{i(y-\tilde{y})} \langle \eta \rangle^{-s_i(y)} a(y; \tilde{x}, \eta) d\eta d\tilde{x} d\tilde{y}$$

in a neighborhood of the origin.

Definition 4.34. (Twisted symbolic 0-Poisson operators) Let $\mathcal{E} = (\mathcal{E}_{\text{of}}, \mathcal{E}_{\mathfrak{ff}})$ be a pair of index sets. We define $\hat{\Psi}_{0\text{P}}^{-\infty, (\mathcal{E}_{\text{of}}, [\mathcal{E}_{\mathfrak{ff}}]), \mathfrak{s}}(\partial X, \mathbf{E}; X)$ as the space of operators $\mathbf{B} : C^\infty(\partial X; \mathbf{E}) \rightarrow C^{-\infty}(X)$ of the form

$$\mathbf{B} = (B_1 \quad \cdots \quad B_I),$$

where $B_i : C^\infty(\partial X; E_i) \rightarrow C^{-\infty}(X)$ satisfies the following properties:

- (1) in the complement of any neighborhood of $\partial\Delta$, K_{B_i} coincides with a residual Poisson operator in $\Psi_{0\text{P}}^{-\infty, \mathcal{E}_{\text{of}}}(\partial X, E_i; X)$;
- (2) for every $p \in \partial X$, given coordinates (x, y) centered at p such that $Vx \equiv 1$ near p , and a local frame for E_i defined near p , denote by $\mathfrak{s}_i(y)$ the local expression of \mathfrak{s}_i in the given coordinates and frame; then there exists an index set $\tilde{\mathcal{E}}_{\mathfrak{ff}}$ with $[\tilde{\mathcal{E}}_{\mathfrak{ff}}] = [\mathcal{E}_{\mathfrak{ff}}]$, and a twisted 0-Poisson symbol $b(y; x, \eta) \langle \eta \rangle^{s(y)} \in S_{0\text{P}, \mathcal{S}}^{-\infty, (\mathcal{E}_{\text{of}}, \tilde{\mathcal{E}}_{\mathfrak{ff}}), \mathfrak{s}}(\mathbb{R}^n, (\mathbb{C}^{M_i})^*; \mathbb{R}_1^{n+1})$ such that in the chosen coordinates and frame we have

$$K_{B_i} = \frac{1}{(2\pi)^n} \int e^{i(y-\tilde{y})} b(y; x, \eta) \langle \eta \rangle^{s(y)} d\eta d\tilde{y}$$

in a neighborhood of the origin.

Remark 4.35. We remark that in the definitions of $\hat{\Psi}_{0\text{tr}}^{-\infty, (\mathcal{E}_{\text{of}}, [\mathcal{E}_{\mathfrak{ff}}]), \mathfrak{s}}(X; \partial X, \mathbf{E})$ and $\hat{\Psi}_{0\text{P}}^{-\infty, (\mathcal{E}_{\text{of}}, [\mathcal{E}_{\mathfrak{ff}}]), \mathfrak{s}}(\partial X, \mathbf{E}; X)$ we are not keeping track of the precise index set at the front face, but only of its leading set. The reason for this choice is that, due to the presence of the twisting factor $\langle \eta \rangle^{s(y)}$ in the symbol, the full index set $\mathcal{E}_{\mathfrak{ff}}$ is not invariant under changes of coordinates; however, the leading set $[\mathcal{E}_{\mathfrak{ff}}]$ is, and this is enough for our applications. It is not clear whether this phenomenon is just an artifact of the method used to prove coordinate invariance. We will discuss this more in detail in §7.3.

By Lemma 4.30, we immediately obtain the following

Corollary 4.36. Let $\mathbf{E} = \bigoplus_i E_i$, $\mathfrak{s} = \bigoplus_i \mathfrak{s}_i$, M_1, \dots, M_I and $\boldsymbol{\mu} = (\mu_1, \dots, \mu_I)$ be as above.

- (1) Let $\mathbf{A} = (A^1, \dots, A^I)^T \in \hat{\Psi}_{0\text{tr}}^{-\infty, (\mathcal{E}_{\text{of}}, [\mathcal{E}_{\mathfrak{ff}}]), \mathfrak{s}}(X; \partial X, \mathbf{E})$. Then $A^i \in \hat{\Psi}_{0\text{tr}}^{-\infty, (\mathcal{E}_{\text{of}}, \tilde{\mathcal{E}}_{\mathfrak{ff}})}(X; \partial X, E_i)$, where $\tilde{\mathcal{E}}_{\mathfrak{ff}}$ is an index set such that $[\tilde{\mathcal{E}}_{\mathfrak{ff}}]$ consists of the pairs $(\alpha + \mu_i, k + l)$ with $(\alpha, k) \in [\mathcal{E}_{\mathfrak{ff}}]$ and $0 \leq l < M_i$.
- (2) Let $\mathbf{B} = (B_1, \dots, B_I) \in \hat{\Psi}_{0\text{P}}^{-\infty, (\mathcal{E}_{\text{of}}, [\mathcal{E}_{\mathfrak{ff}}]), \mathfrak{s}}(\partial X, \mathbf{E}; X)$. Then $B_i \in \hat{\Psi}_{0\text{P}}^{-\infty, (\mathcal{E}_{\text{of}}, \tilde{\mathcal{E}}_{\mathfrak{ff}})}(\partial X, E_i, X)$, where $\tilde{\mathcal{E}}_{\mathfrak{ff}}$ is an index set such that $[\tilde{\mathcal{E}}_{\mathfrak{ff}}]$ consists of the pairs $(\alpha - \mu_i, k + l)$ with $(\alpha, k) \in [\mathcal{E}_{\mathfrak{ff}}]$ and $0 \leq l < M_i$.

This lemma ensures that twisted symbolic 0-Poisson and 0-trace operators can be seen as vectors of un-twisted symbolic 0-Poisson and 0-trace operators, at the expense of losing some information at the front face. This information is however crucial in order to correctly compute the Bessel family for these operators.

4.3.2. *The Bessel family of a twisted symbolic 0-Poisson operator.* Let $\mathbf{B} \in \hat{\Psi}_{0\mathbb{P}}^{-\infty, (\mathcal{E}_{\text{of}}, [\mathcal{E}_{\text{ff}}]), \mathfrak{s}}(\partial X, \mathbf{E}; X)$ as above. Assume that $[\mathcal{E}_{\text{ff}}] = m$ for some $m \in \mathbb{C}$. We will now construct the Bessel family of \mathbf{B} . As in the un-twisted case, the Bessel family $\hat{N}(\mathbf{B})$ is a smooth section of the Fréchet bundle $\Psi_{0\mathbb{P}}^{-\infty, \mathcal{E}_{\text{of}}}(N^+\partial X; \mathbf{E}^*) \rightarrow T^*\partial X$. However, unlike the un-twisted case, $\hat{N}(\mathbf{B})$ is *not* fibrewise homogeneous: rather, it is fibrewise *twisted* homogeneous of degree $-m + \mathfrak{s}$ in the following sense: for every $\eta \in T^*\partial X \setminus 0$ and for every $t \in \mathbb{R}^+$, we have

$$\hat{N}_{t\eta}(\mathbf{B}) = \lambda_t^* \circ \hat{N}_{\eta}(\mathbf{B}) t^{-m+\mathfrak{s}}.$$

The construction proceeds almost exactly as in §4.2.1. Choose a point $p \in \partial X$, and let (x, y) be coordinates for X centered at p and compatible with V , so that $Vx \equiv 1$. Choose also frames of E_i near p , for every i . Then we can find an index set $\tilde{\mathcal{E}}_{\text{ff}}$ with $[\tilde{\mathcal{E}}_{\text{ff}}] = [\mathcal{E}_{\text{ff}}]$, and a 0-Poisson symbol $b_i(y; x, \eta) \in S_{0\mathbb{P}, S}^{-\infty, (\mathcal{E}_{\text{of}}, \tilde{\mathcal{E}}_{\text{ff}})}(\mathbb{R}^n; \mathbb{R}_1^{n+1}, (\mathbb{C}^{M_i})^*)$ such that, in the chosen coordinates and frames, we have

$$B_i \equiv \frac{1}{(2\pi)^n} \int e^{i(y-\bar{y})\eta} b_i(y; x, \eta) \langle \eta \rangle^{s_i(y)} d\eta d\bar{y}$$

near the origin. Given $\eta \in T_p^*\partial X \setminus 0 \equiv \mathbb{R}^n \setminus 0$, we define

$$\hat{N}_{\eta}(\mathbf{B}) = \lim_{t \rightarrow 0^+} b_i(0; tx, t^{-1}\eta) \langle t^{-1}\eta \rangle^{s_i(0)} t^{-m+s_i(0)}.$$

To check that this limit is indeed well-defined, similarly to §4.2.1 write in the locus $|\eta| \neq 0$

$$\begin{aligned} b_i(0; x, \eta) &= b_{i,0} \left(x|\eta|, \frac{\eta}{|\eta|}, |\eta|^{-1} \right) |\eta|^{-m} \\ &\quad + r_i \left(x|\eta|, \frac{\eta}{|\eta|}, |\eta|^{-1} \right) |\eta|^{-m-1}, \end{aligned}$$

where $b_{i,0}(\tau, \hat{\eta}, \rho)$ and $r_i(\tau, \hat{\eta}, \rho)$ are in $\mathcal{A}_{\text{phg}}^{(\mathcal{E}_{\text{of}}, \infty, \tilde{\mathcal{E}}_{\text{ff}}-m)}(\overline{\mathbb{R}}_1^1 \times S^{n-1} \times \mathbb{R}_1^1; (\mathbb{C}^{M_i})^*)$. As in the un-twisted case, from $[\tilde{\mathcal{E}}_{\text{ff}}] = m$ we have

$$\begin{aligned} \lim_{t \rightarrow 0^+} b_{i,0} \left(x|\eta|, \frac{\eta}{|\eta|}, t|\eta|^{-1} \right) |\eta|^{-m} &= \tilde{b}_{i,0} \left(x|\eta|, \frac{\eta}{|\eta|} \right) |\eta|^{-m} \\ \lim_{t \rightarrow 0^+} r_i \left(x|\eta|, \frac{\eta}{|\eta|}, t|\eta|^{-1} \right) |\eta|^{-m-1} t &= 0 \end{aligned}$$

where $\tilde{b}_{i,0}(\tau, \hat{\eta}) \in \mathcal{A}_{\text{phg}}^{(\mathcal{E}_{\text{of}}, \infty)}(\overline{\mathbb{R}}_1^1 \times S^{n-1}; (\mathbb{C}^{M_i})^*)$. Finally, we have

$$\begin{aligned} \lim_{t \rightarrow 0^+} \langle t^{-1}\eta \rangle^{s_i(0)} t^{s_i(0)} &= \lim_{t \rightarrow 0^+} (\langle t^{-1}\eta \rangle t)^{s_i(0)} \\ &= |\eta|^{s_i(0)}. \end{aligned}$$

Calling

$$\tilde{\mathbf{b}}_0 = (\tilde{b}_{1,0} \quad \cdots \quad \tilde{b}_{1,0}),$$

we then have

$$\hat{N}_{\eta}(\mathbf{B}) = \tilde{\mathbf{b}}_0 \left(x|\eta|, \frac{\eta}{|\eta|} \right) |\eta|^{-m+s(0)}.$$

From this formula, it follows that $\hat{N}(\mathbf{B})$ is twisted homogeneous in the sense above.

4.3.3. *The Bessel family of a twisted symbolic 0-trace operator.* The 0-trace case is essentially equal to the 0-Poisson case. Let $\mathbf{A} \in \hat{\Psi}_{0\text{tr}}^{-\infty, (\mathcal{E}_{\text{of}}, [\mathcal{E}_{\text{ff}}]), \mathfrak{s}}(X; \partial X, \mathbf{E})$ as above. Assume that $[\mathcal{E}_{\text{ff}}] = m$ for some $m \in \mathbb{C}$. The Bessel family of \mathbf{A} is a smooth section of the Fréchet bundle $\Psi_{0\text{tr}}^{-\infty, \mathcal{E}_{\text{of}}}(N^+\partial X; \mathbf{E}) \rightarrow T^*\partial X$, fibrewise *twisted* homogeneous of degree $-m - \mathfrak{s}$ in the following sense: for every $\eta \in T^*\partial X \setminus 0$ and for every $t \in \mathbb{R}^+$, we have

$$\hat{N}_{t\eta}(\mathbf{A}) = t^{-m-\mathfrak{s}} \circ \hat{N}_{\eta}(\mathbf{A}) \circ \lambda_{t^{-1}}^*.$$

Choose a point $p \in \partial X$, and let (x, y) be coordinates for X centered at p and compatible with V , so that $Vx \equiv 1$. Choose also frames of E_i near p , for every i . Then we can find an index set

$\tilde{\mathcal{E}}_{\mathbf{ff}}$ with $[\tilde{\mathcal{E}}_{\mathbf{ff}}] = [\mathcal{E}_{\mathbf{ff}}]$, and a 0-trace symbol $a^i(y; \tilde{x}, \eta) \in S_{0, \text{tr}, \mathcal{S}}^{-\infty, (\mathcal{E}_{\text{of}}, \tilde{\mathcal{E}}_{\mathbf{ff}})}(\mathbb{R}^n; \mathbb{R}_1^{n+1}, \mathbb{C}^{M_i})$ such that, in the chosen coordinates and frames, we have

$$A^i \equiv \frac{1}{(2\pi)^n} \int e^{i(y-\tilde{y})\eta} \langle \eta \rangle^{-s_i(y)} a^i(y; \tilde{x}, \eta) d\eta d\tilde{x} d\tilde{y}$$

near the origin. Given $\eta \in T_p^* \partial X \setminus 0 \equiv \mathbb{R}^n \setminus 0$, we define

$$\hat{N}_\eta(\mathbf{A}) = \lim_{t \rightarrow 0^+} t^{-m-s_i(0)} \langle t^{-1}\eta \rangle^{-s_i(y)} a^i(0; t\tilde{x}, t^{-1}\eta) t d\tilde{x}.$$

To check that this limit is well-defined, write in the locus $|\eta| \neq 0$

$$\begin{aligned} a^i(0; \tilde{x}, \eta) &= |\eta|^{-m+1} \tilde{a}_0^i \left(\tilde{x} |\eta|, \frac{\eta}{|\eta|}, |\eta|^{-1} \right) |\eta|^{-m+1} \\ &\quad + |\eta|^{-m} r^i \left(\tilde{x} |\eta|, \frac{\eta}{|\eta|}, |\eta|^{-1} \right), \end{aligned}$$

where $\tilde{a}_0^i(\tau, \hat{\eta}, \rho)$ and $r_i(\tau, \hat{\eta}, \rho)$ are in $\mathcal{A}_{\text{phg}}^{(\mathcal{E}_{\text{of}}, \infty, \tilde{\mathcal{E}}_{\mathbf{ff}}-m)}(\overline{\mathbb{R}}_1^1 \times S^{n-1} \times \mathbb{R}_1^1; \mathbb{C}^{M_i})$. Taking the limit as $t \rightarrow 0^+$, we get

$$\hat{N}_\eta(A^i) = |\eta|^{-m-s_i(y)} \tilde{a}_0^i \left(\tilde{x} |\eta|, \frac{\eta}{|\eta|}, t |\eta|^{-1} \right) |\eta| d\tilde{x}$$

where $\tilde{a}_0^i(\tau, \hat{\eta}) \in \mathcal{A}_{\text{phg}}^{(\mathcal{E}_{\text{of}}, \infty)}(\overline{\mathbb{R}}_1^1 \times S^{n-1}; \mathbb{C}^{M_i})$. Calling

$$\tilde{\mathbf{a}}_0 = \begin{pmatrix} \tilde{a}_0^1 \\ \vdots \\ \tilde{a}_0^I \end{pmatrix},$$

we have

$$\hat{N}_\eta(\mathbf{A}) = |\eta|^{-m-s(0)} \tilde{\mathbf{a}}_0 \left(\tilde{x} |\eta|, \frac{\eta}{|\eta|} \right) |\eta| d\tilde{x}.$$

From this formula, it follows that $\hat{N}(\mathbf{A})$ is twisted homogeneous in the sense above.

4.4. The twisted boundary calculus. To conclude the section, we will introduce the calculus of pseudodifferential operators on the boundary which we will use to formulate boundary value problems for 0-elliptic operators. This calculus fits perfectly the classes $\hat{\Psi}_{0, \text{tr}}^{-\infty, \bullet, \mathbf{s}}(X; \partial X, \mathbf{E})$ and $\hat{\Psi}_{0, \text{P}}^{-\infty, \bullet, \mathbf{s}}(\partial X, \mathbf{E}; X)$ described above. We remark that this calculus is not really new. Indeed, it is a particularly simple subcalculus of the calculus of ‘‘elliptic systems with variable orders’’ introduced by Krainer and Mendoza in [KM15]. In fact, this calculus was developed exactly to formulate elliptic boundary conditions for *edge* elliptic operators, with possibly variable indicial roots. Our simplifications stem from the fact that we restrict ourselves to the constant indicial root case, and this ultimately allows us to work with polyhomogeneous symbols.

4.4.1. Definitions. Operators in the twisted boundary calculus act between sections of vector bundles equipped with smooth endomorphisms with constant eigenvalues. Before getting into that, let’s establish the local theory. For reference, given an index set \mathcal{E} , denote by $S_{\text{phg}, \mathcal{S}}^{-\mathcal{E}}(\mathbb{R}^n; \mathbb{R}^n)$ the class of polyhomogeneous symbols with Schwartz coefficients, i.e. $S_{\text{phg}, \mathcal{S}}^{-\mathcal{E}}(\mathbb{R}^n; \mathbb{R}^n) = \mathcal{S}(\mathbb{R}^n) \hat{\otimes} \mathcal{A}_{\text{phg}}^{\mathcal{E}}(\overline{\mathbb{R}}^n)$. Given $m \in \mathbb{R}$, denote by $S_{\mathcal{S}}^{-m}(\mathbb{R}^n; \mathbb{R}^n)$ the class of standard symbols with Schwartz coefficients $\mathcal{S}(\mathbb{R}^n) \hat{\otimes} \mathcal{A}^m(\overline{\mathbb{R}}^n)$. Now, fix $\mathbf{a} : \overline{\mathbb{R}}^n \rightarrow \mathfrak{gl}(\mathbb{C}^N)$ and $\mathbf{b} : \overline{\mathbb{R}}^n \rightarrow \mathfrak{gl}(\mathbb{C}^M)$ smooth families of matrices with a constant, single eigenvalue. Call μ (resp. λ) the eigenvalue of \mathbf{a} (resp. \mathbf{b}).

Definition 4.37. (Twisted boundary symbols) We define $S_{\text{phg}, \mathcal{S}}^{-\mathcal{E}, (\mathbf{a}, \mathbf{b})}(\mathbb{R}^n; \mathbb{R}^n; \text{hom}(\mathbb{C}^N, \mathbb{C}^M))$ as the space

$$\langle \eta \rangle^{-\mathbf{b}(y)} S_{\text{phg}, \mathcal{S}}^{-\mathcal{E}}(\mathbb{R}^n; \mathbb{R}^n; \text{hom}(\mathbb{C}^N, \mathbb{C}^M)) \langle \eta \rangle^{\mathbf{a}(y)}.$$

We call the symbols in these classes *twisted boundary symbols*.

The following lemma is proved exactly as Lemma 4.30:

Lemma 4.38. *Let $q(y; \eta) \in S_{\text{phg}, \mathcal{S}}^{-\mathcal{E}, (\mathbf{a}, \mathbf{b})}(\mathbb{R}^n; \mathbb{R}^n; \text{hom}(\mathbb{C}^N, \mathbb{C}^M))$, and think of $q(y; \eta)$ as an $M \times N$ matrix of scalar symbols. Then its entries are elements of $S_{\text{phg}, \mathcal{S}}^{-\tilde{\mathcal{E}}}(\mathbb{R}^n; \mathbb{R}^n)$, where $\tilde{\mathcal{E}}$ is the index set consisting of pairs of the form $(\alpha - \mu + \lambda, l + l' + l'')$, where $(\alpha, l) \in \mathcal{E}$ and $0 \leq l' < N$ and $0 \leq l'' < M$. Consequently, these entries are in $S_{\mathcal{S}}^{-m}(\mathbb{R}^n; \mathbb{R}^n)$ for every $m > \Re(\mathcal{E} - \mu + \lambda)$.*

Observe that the lemma above implies that the residual class $S_{\text{phg}, \mathcal{S}}^{-\infty, (\mathbf{a}, \mathbf{b})}(\mathbb{R}^n; \mathbb{R}^n; \text{hom}(\mathbb{C}^N, \mathbb{C}^M))$ does not depend on \mathbf{a} and \mathbf{b} , and coincides with the class $S_{\mathcal{S}}^{-\infty}(\mathbb{R}^n; \mathbb{R}^n; \text{hom}(\mathbb{C}^N, \mathbb{C}^M))$ of $\text{hom}(\mathbb{C}^N, \mathbb{C}^M)$ -valued smoothing symbols with Schwartz coefficients.

Since the entries of $S_{\text{phg}, \mathcal{S}}^{-\mathcal{E}, (\mathbf{a}, \mathbf{b})}(\mathbb{R}^n; \mathbb{R}^n; \text{hom}(\mathbb{C}^N, \mathbb{C}^M))$ are standard symbols, we can apply the left quantization map:

Definition 4.39. (Local twisted boundary symbols) We define $\Psi_{\text{phg}, \mathcal{S}}^{-\mathcal{E}, (\mathbf{a}, \mathbf{b})}(\mathbb{R}^n; \mathbb{C}^N, \mathbb{C}^M)$ as the class of operators $\text{Op}_L(q)$ with $q \in S_{\text{phg}, \mathcal{S}}^{-\tilde{\mathcal{E}}, (\mathbf{a}, \mathbf{b})}(\mathbb{R}^n; \mathbb{R}^n; \text{hom}(\mathbb{C}^N, \mathbb{C}^M))$, for some index set $\tilde{\mathcal{E}}$ with $[\tilde{\mathcal{E}}] = [\mathcal{E}]$.

From Lemma 4.38, we get immediately the following

Corollary 4.40. *Let $Q \in \Psi_{\text{phg}, \mathcal{S}}^{-\mathcal{E}, (\mathbf{a}, \mathbf{b})}(\mathbb{R}^n; \mathbb{C}^N, \mathbb{C}^M)$. Then $Q \in \Psi_{\text{phg}, \mathcal{S}}^{-\mathcal{F}}(\mathbb{R}^n; \mathbb{C}^N, \mathbb{C}^M)$, where \mathcal{F} is an index set whose leading set consists of pairs of the form $(\alpha - \mu + \lambda, l + l' + l'')$, where $(\alpha, l) \in \text{lead}(\mathcal{E})$, $0 \leq l' < N$ and $0 \leq l'' < M$.*

In particular, the Schwartz kernel of an element of $\Psi_{\text{phg}, \mathcal{S}}^{-\mathcal{E}, (\mathbf{a}, \mathbf{b})}(\mathbb{R}^n; \mathbb{C}^N, \mathbb{C}^M)$ is smooth in the complement of any neighborhood of the diagonal. This allows us to define the corresponding calculus on the manifold ∂X . Fix two smooth vector bundles $\mathbf{E}, \mathbf{F} \rightarrow \partial X$ equipped with endomorphisms \mathbf{s}, \mathbf{t} with constant eigenvalues. Call $\boldsymbol{\mu} = (\mu_1, \dots, \mu_I)$ and $\boldsymbol{\lambda} = (\lambda_1, \dots, \lambda_J)$ the eigenvalues of \mathbf{s}, \mathbf{t} , and decompose $\mathbf{E} = \bigoplus_i E_i$, $\mathbf{F} = \bigoplus_j F_j$ and $\mathbf{s} = \bigoplus_i \mathbf{s}_i$, $\mathbf{t} = \bigoplus_j \mathbf{t}_j$ in terms of the generalized eigenbundle decompositions of \mathbf{s}, \mathbf{t} . Call N_i, M_j the ranks of E_i, F_j .

Definition 4.41. (Twisted boundary operators) Let \mathcal{E} be an index set. We denote by $\Psi_{\text{phg}}^{-[\mathcal{E}], (\mathbf{s}, \mathbf{t})}(\partial X; \mathbf{E}, \mathbf{F})$ the class of operators $\mathbf{Q} : C^\infty(\partial X; \mathbf{E}) \rightarrow C^{-\infty}(\partial X; \mathbf{F})$ of the form

$$\mathbf{Q} = \begin{pmatrix} Q_1^1 & \cdots & Q_I^1 \\ \vdots & \ddots & \vdots \\ Q_1^J & \cdots & Q_I^J \end{pmatrix},$$

where $Q_i^j : C^\infty(\partial X; E_i) \rightarrow C^{-\infty}(\partial X; F_j)$ satisfies the following properties:

- (1) in the complement of any neighborhood of $\partial\Delta$, $K_{Q_i^j}$ is smooth;
- (2) for every $p \in \partial X$, in coordinates y for ∂X centered at p , and with respect to local frames for E_i and F_j defined near p , there exists an index set $\tilde{\mathcal{E}}$ with $[\tilde{\mathcal{E}}] = [\mathcal{E}]$ and a symbol $\langle \eta \rangle^{\mathbf{t}_j(y)} q(y; \eta) \langle \eta \rangle^{-\mathbf{s}_i(y)}$ in $S_{\text{phg}, \mathcal{S}}^{-\mathcal{E}, (\mathbf{s}_i, \mathbf{t}_j)}(\mathbb{R}^n; \mathbb{R}^n; \text{hom}(\mathbb{C}^{N_i}, \mathbb{C}^{M_j}))$ such that, near the origin, we have

$$K_{Q_i^j} = \frac{1}{(2\pi)^n} \int e^{i(y-\tilde{y})\eta} \langle \eta \rangle^{-\mathbf{t}_j(y)} q(y; \eta) \langle \eta \rangle^{\mathbf{s}_i(y)} d\eta d\tilde{y}.$$

Remark 4.42. The reader should think of the calculus $\Psi_{\text{phg}}^{-[\mathcal{E}], (\mathbf{s}, \mathbf{t})}(\partial X; \mathbf{E}, \mathbf{F})$ as a mild generalization of the usual class of classical pseudodifferential operators of Douglis–Nirenberg type. Indeed, if $\mathbf{Q} \in \Psi_{\text{phg}}^{-[\mathcal{E}], (\mathbf{s}, \mathbf{t})}(\partial X; \mathbf{E}, \mathbf{F})$ and $[\mathcal{E}] = m$, then by Corollary 4.40 the entry $Q_i^j \in \Psi_{\text{phg}}^{-[\mathcal{E}], (\mathbf{s}_i, \mathbf{t}_j)}(\partial X; E_i, F_j)$ is an element of $\Psi_{\text{phg}}^{-\mathcal{F}}(\partial X; E_i, F_j)$, where \mathcal{F} is an index set with $[\mathcal{F}]$ equal to the family of pairs $(m - \mu_i + \lambda_j, k + l)$ with $k < N_i$ and $l < M_j$. In particular, if E_i and F_j are line bundles, then Q_i^j is an element of $\Psi_{\text{phg}}^{-m + \mu_i - \lambda_j}(\partial X)$.

The previous corollary then implies the following

Corollary 4.43. *Let $\mathbf{Q} \in \Psi_{\text{phg}}^{-[\mathcal{E}], (\mathbf{s}, \mathbf{t})}(\partial X; \mathbf{E}, \mathbf{F})$. Then $Q_i^j \in \Psi_{\text{phg}}^{-\mathcal{F}}(\partial X; E_i, F_j)$, where \mathcal{F} is an index set whose leading set consists of pairs of the form $(\alpha - \mu_i + \lambda_j, l + l' + l'')$, where $(\alpha, l) \in \text{lead}(\mathcal{E})$, $0 \leq l' < N_i$ and $0 \leq l'' < M_j$.*

4.4.2. *Principal symbols and ellipticity.* Let's finally discuss the principal symbol map for these operators. The idea is exactly the same as above. If $\mathbf{Q} \in \Psi_{\text{phg}}^{-[\mathcal{E}],(\mathbf{s},\mathbf{t})}(\partial X; \mathbf{E}, \mathbf{F})$ and $[\mathcal{E}] = m$, then $\sigma(\mathbf{Q})$ is a smooth section of $\pi^*(\mathbf{E}^* \otimes \mathbf{F}) \rightarrow T^*\partial X \setminus 0$, fibrewise *twisted* homogeneous of degree $-m + (\mathbf{s}, \mathbf{t})$ in the following sense: for every $\eta \in T^*\partial X \setminus 0$ and $t \in \mathbb{R}^+$, we have

$$\sigma_{t\eta}(\mathbf{Q}) = t^{-m} t^{-\mathbf{t}} \sigma_{\eta}(\mathbf{Q}) t^{\mathbf{s}}.$$

To construct $\sigma(\mathbf{Q})$ in the fiber $T_p^*\partial X \setminus 0$, choose coordinates y for ∂X centered at p and local frames for the bundles E_i, F_j . Then there exists an index set $\tilde{\mathcal{E}}$ with $[\tilde{\mathcal{E}}] = [\mathcal{E}]$, and symbols $q_i^j(y; \eta) \in S_{\text{phg}}^{-\tilde{\mathcal{E}}}(\mathbb{R}^n; \mathbb{R}^n; \text{hom}(\mathbb{C}^{N_i}, \mathbb{C}^{M_j}))$ such that near the point (p, p) in the given coordinates and frames, we have

$$Q_i^j = \frac{1}{(2\pi)^n} \int e^{i(y-\tilde{y})\eta} \langle \eta \rangle^{-\mathbf{t}_j(y)} q_i^j(y; \eta) \langle \eta \rangle^{\mathbf{s}_i(y)} d\eta d\tilde{y}.$$

Let $\mathbf{q}(y; \eta)$ be the block-matrix of symbols $\mathbf{q}(y; \eta) = (q_i^j(y; \eta))$. Then, for $\eta \in T_p^*\partial X \setminus 0 \equiv \mathbb{R}^n \setminus 0$, we define

$$\sigma_{\eta}(\mathbf{Q}) = \lim_{t \rightarrow 0^+} t^{\mathbf{t}_j(0)} \langle t^{-1}\eta \rangle^{\mathbf{t}_j(y)} t^{-m} \mathbf{q}(0; t^{-1}\eta) \langle t^{-1}\eta \rangle^{\mathbf{s}_i(0)} t^{\mathbf{s}_i(0)}.$$

To check that this limit exists, observe that since the entries $q_i^j(y; \eta)$ are in $S_{\text{phg}}^{-\tilde{\mathcal{E}}}(\mathbb{R}^n; \mathbb{R}^n; \text{hom}(\mathbb{C}^{N_i}, \mathbb{C}^{M_j}))$ and $[\tilde{\mathcal{E}}] = m$, we can write away from $|\eta| = 0$

$$\begin{aligned} q_i^j(0; \eta) &= q_{i,0}^j \left(\frac{\eta}{|\eta|}, |\eta|^{-1} \right) |\eta|^{-m} \\ &\quad + r_i^j \left(\frac{\eta}{|\eta|}, |\eta|^{-1} \right) |\eta|^{-m-1} \end{aligned}$$

for some $q_{i,0}^j, r_i^j \in \mathcal{A}_{\text{phg}}^{\tilde{\mathcal{E}}-m}(S^{n-1} \times \mathbb{R}_1^1; \text{hom}(\mathbb{C}^{N_i}, \mathbb{C}^{M_j}))$. Calling $\tilde{q}_{i,0}^j(\hat{\eta}) = q_{i,0}^j(\hat{\eta}, 0)$, and $\tilde{\mathbf{q}}_0 = (\tilde{q}_{i,0}^j)$, we have

$$\sigma_{\eta}(\mathbf{Q}) = |\eta|^{-m} |\eta|^{-\mathbf{t}(0)} \tilde{\mathbf{q}}_0 \left(\frac{\eta}{|\eta|} \right) |\eta|^{\mathbf{s}(0)}.$$

This shows that indeed $\sigma(\mathbf{Q})$ is fibrewise twisted homogeneous in the sense described above.

Definition 4.44. An operator $\mathbf{Q} \in \Psi_{\text{phg}}^{-[0],(\mathbf{s},\mathbf{t})}(\partial X; \mathbf{E}, \mathbf{F})$ is called *elliptic* if the principal symbol $\sigma_{\eta}(\mathbf{Q})$ is invertible for every $\eta \in T^*\partial X \setminus 0$.

The following theorem can be proved exactly as in the standard case:

Theorem 4.45. Let $\mathbf{Q} \in \Psi_{\text{phg}}^{[0],(\mathbf{s},\mathbf{t})}(\partial X; \mathbf{E}, \mathbf{F})$ be elliptic. Then there exist operators $\mathbf{K}_1, \mathbf{K}_2 \in \Psi_{\text{phg}}^{[0],(\mathbf{t},\mathbf{s})}(\partial X; \mathbf{F}, \mathbf{E})$ such that

$$\begin{aligned} \mathbf{Q}\mathbf{K}_1 &\equiv I \pmod{\Psi^{-\infty}(\partial X; \mathbf{F})} \\ \mathbf{K}_2\mathbf{Q} &\equiv I \pmod{\Psi^{-\infty}(\partial X; \mathbf{E})}. \end{aligned}$$

A much stronger theorem of this type is proved in [KM15] for elliptic operators in their more general calculus. Anyway, the proof is essentially equal to the usual proof in standard elliptic theory and uses the composition Theorem 5.17, which we still have to prove. If $\mathbf{Q} \in \Psi_{\text{phg}}^{[0],(\mathbf{s},\mathbf{t})}(\partial X; \mathbf{E}, \mathbf{F})$ is elliptic, then the inverse $\sigma(\mathbf{Q})^{-1}$ of the principal symbol is a smooth section of $\pi^*(\mathbf{F}^* \otimes \mathbf{E}) \rightarrow T^*\partial X \setminus 0$, fibrewise twisted homogeneous of degree (\mathbf{t}, \mathbf{s}) . Given $\mathbf{K}_0 \in \Psi_{\text{phg}}^{[0],(\mathbf{t},\mathbf{s})}(\partial X; \mathbf{F}, \mathbf{E})$ with $\sigma(\mathbf{K}_0) = \sigma(\mathbf{Q})^{-1}$, then by Theorem 5.17 we have $\mathbf{K}_0\mathbf{Q} \in \Psi_{\text{phg}}^{[0],(\mathbf{s},\mathbf{s})}(\partial X; \mathbf{E})$ and $\mathbf{Q}\mathbf{K}_0 \in \Psi_{\text{phg}}^{[0],(\mathbf{t},\mathbf{t})}(\partial X; \mathbf{F})$, and moreover $\sigma(\mathbf{K}_0\mathbf{Q}) \equiv 1$, $\sigma(\mathbf{Q}\mathbf{K}_0) \equiv 1$. This means that the remainders $\mathbf{R}_1 = I - \mathbf{K}_0\mathbf{Q}$ and $\mathbf{R}_2 = I - \mathbf{Q}\mathbf{K}_0$ are respectively in $\Psi_{\text{phg}}^{[\mathcal{H}],(\mathbf{s},\mathbf{s})}(\partial X; \mathbf{E})$ and $\Psi_{\text{phg}}^{[\mathcal{H}],(\mathbf{t},\mathbf{t})}(\partial X; \mathbf{F})$, for a certain index set \mathcal{H} with $\Re(\mathcal{H}) > 0$. We can now promote \mathbf{K}_0 to two left and right parametrices $\mathbf{K}_2, \mathbf{K}_1$ as above, by composing \mathbf{K}_0 with asymptotic sums for $(I - \mathbf{R}_2)^{-1}$ and $(I - \mathbf{R}_1)^{-1}$.

5. ADJOINTS, COMPOSITIONS, MAPPING PROPERTIES

In this section, we discuss various properties of the calculus developed in §4, the most important of which are the *composition theorems* between the various parts of the calculus.

5.1. The pull-back / push-forward technique. Before starting, let us briefly review the technique used to prove the composition theorems for the classes of operators described in 2. This well-established technique is due to Melrose, and is fundamental (albeit in a different form) for our approach as well. To exemplify the argument, let's consider two operators $A \in \Psi_{0\text{tr}}^{-\infty, \mathcal{E}}(X, \partial X)$ and $P \in \Psi_0^{-\infty, \mathcal{F}}(X)$. We want to understand whether the composition AP is well-defined, and if it is, on which space does it live.

In order to understand whether AP is well-defined, we need to understand mapping properties of A and P on polyhomogeneous functions. Firstly, one proves (cf. [Maz91]) that P induces a continuous linear map $P : \dot{C}^\infty(X) \rightarrow \mathcal{A}_{\text{phg}}^{\mathcal{F}_{\text{lf}}}(X)$. The way to prove this is to observe that, if $u \in \dot{C}^\infty(X)$, then

$$\begin{aligned} Pu &= (\pi_L)_*(K_P \cdot \pi_R^* u) \\ &= (\beta_{0,L})_*(\kappa_P \cdot \beta_{0,R}^* u) \end{aligned}$$

where $\kappa_P = \beta_0^* K_P$. We can then apply Melrose's Pull-back Theorem to recognize $\beta_{0,R}^* u$ as a polyhomogeneous function on X_0^2 with appropriate index sets, and then Melrose's Push-forward Theorem to prove that the push-forward $(\beta_{0,L})_*(\kappa_P \cdot \beta_{0,R}^* u)$ is well-defined and polyhomogeneous. Secondly, one proves (cf. Lemma 2.43 of [Usu22]) that if $\Re(\mathcal{E}_{\text{of}} + \mathcal{F}_{\text{lf}}) > -1$ and $\Re(\mathcal{E}_{\text{ff}} + \mathcal{F}_{\text{lf}}) > 0$, then A extends from $\dot{C}^\infty(X)$ to a continuous linear map $\mathcal{A}_{\text{phg}}^{\mathcal{F}_{\text{lf}}}(X) \rightarrow C^\infty(\partial X)$. The technique is the same. If $u \in \dot{C}^\infty(X)$, then $Au = (\beta_{\text{tr},L})_*(\kappa_A \cdot \beta_{\text{tr},R}^* u)$ and this formula implies that A is well-defined as a map $\dot{C}^\infty(X) \rightarrow C^\infty(\partial X)$; the same argument also implies that if $u \in \mathcal{A}_{\text{phg}}^{\mathcal{F}_{\text{lf}}}(X)$ and the inequalities above are satisfied, then one can push-forward (i.e. integrate along the fibers) $\kappa_A \cdot \beta_{\text{tr},R}^* u$ via $\beta_{\text{tr},L}$. The inequalities above are indeed integrability conditions for this push-forward to be well-defined. The final result is that *if the integrability conditions $\Re(\mathcal{E}_{\text{of}} + \mathcal{F}_{\text{lf}}) > -1$ and $\Re(\mathcal{E}_{\text{ff}} + \mathcal{F}_{\text{lf}}) > 0$ are satisfied, then AP is well-defined.*

Now that we know that AP is well-defined, we need to understand where K_{AP} lives. In order to do this, one needs to work on the triple space $\partial X \times X \times X$. Calling

$$\begin{aligned} \pi_{LC} &: \partial X \times X \times X \rightarrow \partial X \times X \\ \pi_{CR} &: \partial X \times X \times X \rightarrow X \times X \\ \pi_{LR} &: \partial X \times X \times X \rightarrow \partial X \times X \end{aligned}$$

the various projections, where L, C, R stand for "left", "center" and "right", one has

$$K_{AP} = (\pi_{LR})_*(\pi_{LC}^* K_A \cdot \pi_{CR}^* K_P)$$

where the push-forward is well-defined thanks to the integrability conditions above. To desingularize K_{AP} , we have to lift K_{AP} and the maps $\pi_{LC}, \pi_{CR}, \pi_{LR}$ to appropriate blow-ups of the spaces involved. Calling

$$\begin{aligned} D_{LC} &= \partial \Delta \times X \\ D_{CR} &= \partial X \times \partial \Delta \\ D_{LR} &= \{(p, q, p) : p \in \partial X, q \in X\} \\ S &= D_{LC} \cap D_{CR} \cap D_{LR}, \end{aligned}$$

one forms the blown-up triple space

$$T = [\partial X \times X^2 : T : D_{LC} \cup D_{CR} \cup D_{LR}]$$

and then realizes that, by switching the order of the blow-ups, one can lift the partial projections $\pi_{LC}, \pi_{CR}, \pi_{LR}$ to *b-fibrations*

$$\begin{aligned} \gamma_{LC} &: T \rightarrow (\partial X \times X)_0 \\ \gamma_{CR} &: T \rightarrow X_0^2 \\ \gamma_{LR} &: T \rightarrow (\partial X \times X)_0. \end{aligned}$$

Calling $\kappa_{AP} = \beta_{\text{tr}}^* K_{AP}$ and lifting the formula above for K_{AP} , one obtains the identity

$$\kappa_{AP} = (\gamma_{LR})_* (\gamma_{LC}^* \kappa_A \cdot \gamma_{CR}^* \kappa_P).$$

Understanding κ_{AP} is now a matter of applying the Pull-back and Push-forward Theorems as above.

The approach we just outlined is very elegant and extremely powerful. It is for example one of the main ingredients in the proof of Theorem 2.30. However, unfortunately, it does not seem to bring the desired results for our applications to boundary value problems. More precisely, in [MV14] this approach is used to discuss compositions

$$\begin{aligned} & \Psi_{0\text{tr}}^{-\infty, \bullet}(X, \partial X) \circ \Psi_0^{-\infty, \bullet}(X) \\ & \Psi_0^{-\infty, \bullet}(X) \circ \Psi_{0\text{P}}^{-\infty, \bullet}(\partial X, X) \\ & \Psi_{0\text{P}}^{-\infty, \bullet}(\partial X, X) \circ \Psi_{0\text{tr}}^{-\infty, \bullet}(X, \partial X). \end{aligned}$$

The discussion of these composition rules in [MV14] however presents some technical issues, which are corrected in §2.9 of [Usu22]. Unfortunately, the corrected results are not sufficient to construct parametrices for 0-elliptic boundary value problems.

Another serious problem with the approach outlined above is that it does not really work to accurately discuss the compositions

$$\begin{aligned} & \Psi^\bullet(\partial X) \circ \Psi_{0\text{tr}}^{-\infty, \bullet}(X, \partial X) \\ & \Psi_{0\text{P}}^{-\infty, \bullet}(\partial X, X) \circ \Psi^\bullet(\partial X) \\ & \Psi_{0\text{tr}}^{-\infty, \bullet}(X, \partial X) \circ \Psi_{0\text{P}}^{-\infty, \bullet}(\partial X, X). \end{aligned}$$

In the first two cases, the problem is that the Schwartz kernel of an operator $Q \in \Psi^\bullet(\partial X)$ has a singularity at $\partial\Delta$ which is *not* polyhomogeneous in general. Rather, it is a more general *interior conormal singularity*. Concerning the third case, if one tries to apply the technique above to AB for $A \in \Psi_{0\text{tr}}^{-\infty, \bullet}(X, \partial X)$ and $B \in \Psi_{0\text{P}}^{-\infty, \bullet}(\partial X, X)$, one obtains that AB is indeed a pseudodifferential operator on ∂X , with a polyhomogeneous singularity at $\partial\Delta$; however, the result tends to be much worse than one would expect, because of the appearance of “spurious” extended unions by index sets at the front face of $[\partial X \times \partial X : \partial\Delta]$.

We will not go into a detailed discussion of these delicate issues, for which we refer to §2 of [Usu22]. However, we claim that *all these issues disappear in the symbolic approach*. The core of our proofs is again the pull-back / push-forward technique; however, this technique is applied *in frequency space* rather than at the Schwartz kernel level. This is the reason for which we insist on using symbols which are polyhomogeneous on appropriate blown-up model spaces. We remark that one could use symbols which have *boundary conormal singularities* at the various faces of the blown-up model spaces. This would be necessary if one wants to adapt this theory to 0-elliptic boundary value problems with non-constant indicial roots. However, some very delicate extra issues (for which we refer to Krainer and Mendoza’s works) arise in this case, so extra care is needed.

5.2. Basic mapping properties. We will now establish mapping properties on polyhomogeneous functions. The basic idea is to imitate the standard proof of the fact that if Q is a standard pseudodifferential operator on ∂X , then Q induces a continuous linear map $Q : C^\infty(\partial X) \rightarrow C^\infty(\partial X)$. Let’s sketch the argument. Let’s say that $Q \in \Psi^m(\partial X)$. Then, by definition of $\Psi^m(\partial X)$, given an atlas $\{(U_i, \varphi_i)\}$ for ∂X one can decompose Q as a finite sum $Q = \sum_i Q_i + R$, where $Q_i \in \Psi^m(\partial X)$ is compactly supported on $U_i \times U_i$ and $R \in \Psi^{-\infty}(\partial X)$ vanishes in a neighborhood of $\partial\Delta$. To prove that Q induces a continuous map $C^\infty(\partial X) \rightarrow C^\infty(\partial X)$, it suffices to prove that each Q_i and R are continuous as maps $C^\infty(\partial X) \rightarrow C^\infty(\partial X)$. It is straightforward to check the claim for R . Concerning Q_i , one observes that if $u \in C^\infty(\partial X)$ and χ is a bump function compactly supported on U_i and such that $\chi \boxtimes \chi$ is equal to 1 on the support of Q_i , then $Q_i u = \chi Q_i \chi u$. Now, using the coordinates y on U_i induced by the chart φ_i , we have $Q_i = \text{Op}_L(q_i(y; \eta)) \in \Psi_S^m(\mathbb{R}^n)$ for some $q_i(y; \eta) \in \mathcal{S}(\mathbb{R}^n) \hat{\otimes} \mathcal{A}^{-m}(\overline{\mathbb{R}^n})$, and therefore it is sufficient to prove that if $Q \in \Psi_S^m(\mathbb{R}^n)$ then Q is continuous as a map $\mathcal{S}(\mathbb{R}^n) \rightarrow \mathcal{S}(\mathbb{R}^n)$. This is a consequence

of the definition of Op_L . We have

$$\text{Op}_L(q(y; \eta))u = \frac{1}{(2\pi)^n} \int e^{iy\eta} q(y; \eta) \hat{u}(\eta) d\eta,$$

and:

- (1) the Fourier transform $u(\tilde{y}) \mapsto \hat{u}(\eta)$ is continuous $\mathcal{S}(\mathbb{R}^n) \rightarrow \mathcal{S}(\mathbb{R}^n)$;
- (2) the map $\hat{u}(\eta) \mapsto q(y; \eta) \hat{u}(\eta)$ is continuous $\mathcal{S}(\mathbb{R}^n) \rightarrow S_S^{-\infty}(\mathbb{R}^n; \mathbb{R}^n)$;
- (3) the inverse Fourier transform in the η variables $\tilde{q}(y; \eta) \mapsto \frac{1}{(2\pi)^n} \int e^{iy\eta} \tilde{q}(y; \eta) d\eta$ is continuous $S_S^{-\infty}(\mathbb{R}^n; \mathbb{R}^n) = \mathcal{S}(\mathbb{R}^n) \hat{\otimes} \mathcal{S}(\mathbb{R}^n) \rightarrow \mathcal{S}(\mathbb{R}^n)$.

This concludes the proof.

All our proofs in this subsection are variations on this basic argument. Every step is essentially unchanged, except for the second step. We first discuss the un-twisted case.

Theorem 5.1. *Let \mathcal{F} be an index set.*

- (1) *Let $A \in \hat{\Psi}_{0\text{tr}}^{-\infty, \mathcal{E}}(X, \partial X)$. If $\Re(\mathcal{E}_{\text{of}} + \mathcal{F}) > 0$, then A extends from $\dot{C}^\infty(X)$ to a continuous linear map*

$$A : \mathcal{A}_{\text{phg}}^{\mathcal{F}}(X) \rightarrow C^\infty(\partial X);$$

- (2) *Let $B \in \hat{\Psi}_{0\text{P}}^{-\infty, \mathcal{E}}(\partial X, X)$. Then B induces a continuous linear map*

$$B : C^\infty(\partial X) \rightarrow \mathcal{A}_{\text{phg}}^{\mathcal{E}_{\text{of}}}(X);$$

- (3) *Let $P \in \hat{\Psi}_0^{-\infty, \mathcal{E}}(X)$. If $\Re(\mathcal{E}_{\text{rf}} + \mathcal{F}) > -1$, then P extends from $\dot{C}^\infty(X)$ to a continuous linear map*

$$P : \mathcal{A}_{\text{phg}}^{\mathcal{F}}(X) \rightarrow \mathcal{A}_{\text{phg}}^{\mathcal{E}_{\text{rf}}}(X);$$

- (4) *Let $P \in \hat{\Psi}_{0b}^{-\infty, \mathcal{E}}(X)$. If $\Re(\mathcal{E}_{\text{rf}} + \mathcal{F}) > -1$, then P extends from $\dot{C}^\infty(X)$ to a continuous linear map*

$$P : \mathcal{A}_{\text{phg}}^{\mathcal{F}}(X) \rightarrow \mathcal{A}_{\text{phg}}^{\mathcal{E}_{\text{rf}} \cup (\mathcal{F} + \mathcal{E}_{\text{fb}})}(X).$$

Proof. For simplicity, we only discuss the $0b$ -interior case since the other proofs are very similar but simpler. Recall that the classes above have been defined using a fixed auxiliary vector field V on X , transversal to the boundary and inward-pointing. We can use V to define a collar neighborhood $[0, \varepsilon) \times \partial X$ of ∂X in X , and therefore we can identify a neighborhood of the corner $\partial X \times \partial X$ in X^2 with $([0, \varepsilon) \times (\partial X))^2$. Now, let $Q \in \hat{\Psi}_{0b}^{-\infty, \mathcal{H}}(X)$. Then, by definition of $\hat{\Psi}_{0b}^{-\infty, \mathcal{H}}(X)$, given an atlas $\{(U_i, \varphi_i)\}$ for ∂X we can decompose Q as a finite sum $\sum_i Q_i + R$ where Q_i is compactly supported on $([0, \varepsilon) \times U_i)^2$ and R is an element of $\Psi_b^{-\infty, (\mathcal{H}_{\text{lf}}, \mathcal{H}_{\text{rf}}, \mathcal{H}_{\text{fb}})}(X)$ which vanishes in a neighborhood of the lift of $\partial\Delta$ to X_b^2 .

The fact that the residual part R satisfies the mapping property claimed above is proved in [Maz91] using the pull-back / push-forward technique. Now, since Q_i is compactly supported on $([0, \varepsilon) \times U_i)^2$, we can find compactly supported bump functions χ_1 on $[0, \varepsilon)$ and χ_2 on U_i such that $Q_i = \chi_1 \chi_2 Q_i \chi_1 \chi_2$. Finally, calling y the coordinates induced by the chart φ_i , we have $Q_i = \text{Op}_L^{\text{int}}(q_i(y; x, \tilde{x}, \eta))$ for some $0b$ -interior symbol $q_i(y; x, \tilde{x}, \eta)$. Therefore, it is sufficient to prove that if $Q = \text{Op}_L^{\text{int}}(q(y; x, \tilde{x}, \eta))$ for some $q \in S_{0b, S}^{-\infty, \mathcal{E}}(\mathbb{R}^n; \mathbb{R}_2^{n+2})$, and $\Re(\mathcal{E}_{\text{rf}} + \mathcal{F}) > -1$, then Q induces a continuous linear map

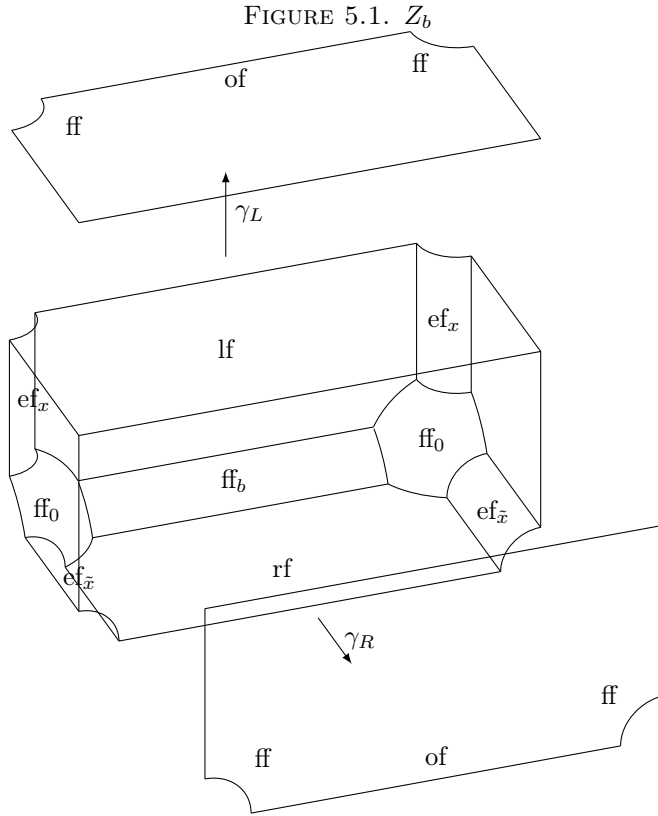
$$Q : \mathcal{A}_{\text{phg}}^{(\mathcal{F}, \infty, \infty)}(\overline{\mathbb{R}}_1^1 \times \overline{\mathbb{R}}^n) \rightarrow \mathcal{A}_{\text{phg}}^{(\mathcal{E}_{\text{rf}} \cup (\mathcal{F} + \mathcal{E}_{\text{fb}}), \infty, \infty)}(\overline{\mathbb{R}}_1^1 \times \overline{\mathbb{R}}^n).$$

By definition of the left interior quantization map Op_L^{int} , $Q = \text{Op}_L^{\text{int}}(q)$ acts on a function u as

$$u(x, y) \mapsto \frac{1}{(2\pi)^n} \int e^{iy\eta} q(y; x, \tilde{x}, \eta) \hat{u}(\tilde{x}, \eta) d\tilde{x} d\eta.$$

From this formula and the decomposition

$$S_{0b, S}^{-\infty, \mathcal{H}}(\mathbb{R}^n; \mathbb{R}_2^{n+2}) = \mathcal{S}(\mathbb{R}^n) \hat{\otimes} \mathcal{A}_{\text{phg}}^{(\mathcal{H}_{\text{lf}}, \mathcal{H}_{\text{rf}}, \mathcal{H}_{\text{fb}} - 1, \mathcal{H}_{\text{fb}} - 1, \infty, \infty, \infty)}(\hat{M}_{0b}^2),$$



it is clear that it suffices to prove that the “contraction mapping”

$$\mathcal{A}_{\text{phg}}^{(\mathcal{F}, \infty, \infty)}(\overline{\mathbb{R}}_1^1 \times \overline{\mathbb{R}}^n) \rightarrow \mathcal{A}_{\text{phg}}^{(\mathcal{H}_{\text{lf}} \cup (\mathcal{F} + \mathcal{H}_{\text{ff}_b}), \infty, \infty)}(\overline{\mathbb{R}}_1^1 \times \overline{\mathbb{R}}^n)$$

$$v(x, \eta) \mapsto \int q(x, \tilde{x}; \eta) v(\tilde{x}, \eta) d\tilde{x}$$

is well-defined and continuous.

This is where we apply the pull-back / push-forward technique. Recall that we denoted by $\beta_{0b} : \hat{M}_{0b}^2 \rightarrow \hat{M}^2$ the blow-down map; denote by $\beta_{0b,L}$ and $\beta_{0b,R}$ the lifts of the canonical projections $\pi_L, \pi_R : \hat{M}^2 \rightarrow \overline{\mathbb{R}}_1^1 \times \overline{\mathbb{R}}^n$ given by $\pi_L : (x, \tilde{x}, \eta) \mapsto (x, \eta)$ and $\pi_R : (x, \tilde{x}, \eta) \mapsto (\tilde{x}, \eta)$. Note that the range of π_L should be interpreted as the model space \hat{P}^2 , while the range of π_R should be interpreted as the model space \hat{T}^2 . The integral above can be rewritten as

$$(\beta_{0b,L})_* (\beta_{0b}^* q \cdot \beta_{0b,R}^* v).$$

However this is not the correct way to interpret this integral, since the maps $\beta_{0b,L}$ and $\beta_{0b,R}$ are not b -fibrations (they both push \mathbf{ff}_0 to a corner). To fix this, we blow \hat{M}_{0b}^2 up at the corners $\mathbf{if}_\eta \cap \mathbf{lf}$ and $\mathbf{if}_\eta \cap \mathbf{rf}$, obtaining the space

$$Z_b = [\hat{M}_{0b}^2 : \mathbf{if}_\eta \cap (\mathbf{lf} \cup \mathbf{rf})].$$

We denote by \mathbf{ef}_x and $\mathbf{ef}_{\tilde{x}}$ the two “extra faces” obtained from the blow-up. This space is represented in Figure 5.1. Now, the b -maps $\beta_{0b,L} : \hat{M}_{0b}^2 \rightarrow \hat{P}^2$ and $\beta_{0b,R} : \hat{M}_{0b}^2 \rightarrow \hat{T}^2$ lift to two b -fibrations $\gamma_L : Z_b \rightarrow \hat{P}_0^2$ and $\gamma_R : Z_b \rightarrow \hat{T}_0^2$, and we can write the integral above as

$$(\gamma_L)_* (\gamma^* q \cdot \gamma_R^* v \cdot \gamma_R^* d\tilde{x}).$$

Choose boundary defining functions $\rho_{\mathbf{of}}, \rho_{\mathbf{ff}}, \rho_{\mathbf{if}_\eta}, \rho_{\mathbf{if}_x}$ for \hat{P}_0^2 , and boundary defining functions $\tilde{\rho}_{\mathbf{of}}, \tilde{\rho}_{\mathbf{ff}}, \tilde{\rho}_{\mathbf{if}_\eta}, \tilde{\rho}_{\mathbf{if}_x}$ for \hat{T}_0^2 . Then we have

$$\begin{aligned} \gamma_L^* \rho_{\mathbf{of}} &= r_{\mathbf{ff}_b} r_{\mathbf{if}} & \gamma_R^* \tilde{\rho}_{\mathbf{of}} &= r_{\mathbf{ff}_b} r_{\mathbf{if}} \\ \gamma_L^* \rho_{\mathbf{ff}} &= r_{\mathbf{ff}_0} r_{\mathbf{ef}_x} & \gamma_R^* \tilde{\rho}_{\mathbf{ff}} &= r_{\mathbf{ff}_0} r_{\mathbf{ef}_x} \\ \gamma_L^* \rho_{\mathbf{if}_\eta} &= r_{\mathbf{if}_\eta} r_{\mathbf{ef}_x} & \gamma_R^* \tilde{\rho}_{\mathbf{if}_\eta} &= r_{\mathbf{if}_\eta} r_{\mathbf{ef}_x} \\ \gamma_L^* \rho_{\mathbf{if}_x} &= r_{\mathbf{if}_x} & \gamma_R^* \tilde{\rho}_{\mathbf{if}_x} &= r_{\mathbf{if}_x} \end{aligned}$$

where $r_{\mathbf{if}}, r_{\mathbf{rf}}, r_{\mathbf{ff}_b}, r_{\mathbf{ff}_0}, r_{\mathbf{ef}_x}, r_{\mathbf{ef}_x}, r_{\mathbf{if}_\eta}, r_{\mathbf{if}_x}, r_{\mathbf{if}_x}$ are boundary defining functions for Z_b . Moreover, γ_L sends \mathbf{rf} to the interior of \hat{P}_0^2 , and γ_R sends \mathbf{lf} to the interior of \hat{T}_0^2 . These relations are clear from Figure 5.1. Now, we have $v \in \mathcal{A}_{\text{phg}}^{(\mathcal{E}_{\mathbf{of}}, \infty, \infty)}(\mathbb{R}_1^1 \times \mathbb{R}^n)$, so by the Pull-back Theorem $\gamma_R^* v$ has index sets 0 at \mathbf{lf} , \mathcal{F} at \mathbf{rf} and \mathbf{ff}_b , and ∞ at all the other faces. From the index sets of $\beta_{0b}^* q$ at \hat{M}_{0b}^2 , we obtain that $\gamma^* q \cdot \gamma_R^* v$ has index sets $\mathcal{E}_{\mathbf{lf}}$ at \mathbf{lf} , $\mathcal{E}_{\mathbf{rf}} + \mathcal{F}$ at \mathbf{rf} , $\mathcal{E}_{\mathbf{ff}_b} + \mathcal{F} - 1$ at \mathbf{ff}_b , and ∞ at all the other faces. Now, using the properties of γ_L and γ_R above, with some elementary computations we see that $\gamma^* q \cdot \gamma_R^* v \cdot \gamma_R^* d\tilde{x}$ is a polyhomogeneous section of ${}^b\mathcal{D}_Z^1 \otimes \gamma_L^* {}^b\mathcal{D}_{\hat{P}_0^2}^{-1}$ with index sets $\mathcal{E}_{\mathbf{lf}}$ at \mathbf{lf} , $\mathcal{E}_{\mathbf{rf}} + \mathcal{F} + 1$ at \mathbf{rf} , $\mathcal{E}_{\mathbf{ff}_b} + \mathcal{F}$ at \mathbf{ff}_b , and ∞ at all the other faces.

Therefore, $(\gamma_L)_* (\gamma^* q \cdot \gamma_R^* v \cdot \gamma_R^* d\tilde{x})$ is polyhomogeneous on \hat{P}_0^2 with index sets $\mathcal{E}_{\mathbf{lf}} \cup (\mathcal{F} + \mathcal{E}_{\mathbf{ff}_b})$ at \mathbf{of} and ∞ at all the other faces. In particular, the infinite order of vanishing at \mathbf{ff} implies that $(\gamma_L)_* (\gamma^* q \cdot \gamma_R^* v \cdot \gamma_R^* d\tilde{x})$ is polyhomogeneous on the blow-down \hat{P}^2 . This concludes the proof. \square

Remark 5.2. Point 3 of the previous theorem shows once again that 0-interior operators are generically better than operators in the 0-calculus. Indeed, by the mapping properties proved in [Maz91], if $P \in \Psi_0^{-\infty, \mathcal{E}}(X)$ and $\Re(\mathcal{E}_{\mathbf{rf}} + \mathcal{F}) > -1$, then P induces a continuous linear map $P : \mathcal{A}_{\text{phg}}^{\mathcal{F}}(X) \rightarrow \mathcal{A}_{\text{phg}}^{\mathcal{E}_{\mathbf{lf}} \cup (\mathcal{F} + \mathcal{E}_{\mathbf{ff}_0})}(X)$. By contrast, if $P \in \hat{\Psi}_0^{-\infty, \mathcal{E}}(X)$, then P maps into $\mathcal{A}_{\text{phg}}^{\mathcal{E}_{\mathbf{lf}}}(X)$ independently of the index set $\mathcal{E}_{\mathbf{ff}_0}$.

The analogous statements for twisted symbolic 0-trace and 0-Poisson operators, and for the twisted boundary calculus, follow easily. Fix $\mathbf{E}, \mathbf{F} \rightarrow \partial X$ vector bundles, and \mathbf{s}, \mathbf{t} smooth endomorphisms of \mathbf{E}, \mathbf{F} with constant indicial roots.

Corollary 5.3. *Let \mathcal{F} be an index set.*

- (1) Let $\mathbf{A} \in \hat{\Psi}_{\text{tr}}^{-\infty, (\mathcal{E}_{\mathbf{of}}, [\mathcal{E}_{\mathbf{ff}}])}^{\mathbf{s}}(X; \partial X; \mathbf{E})$. If $\Re(\mathcal{E}_{\mathbf{of}} + \mathcal{F}) > 0$, then \mathbf{A} extends from $\dot{C}^\infty(X)$ to a continuous linear map

$$\mathbf{A} : \mathcal{A}_{\text{phg}}^{\mathcal{F}}(X) \rightarrow C^\infty(\partial X; \mathbf{E}).$$

- (2) Let $\mathbf{B} \in \hat{\Psi}_{\text{P}}^{-\infty, (\mathcal{E}_{\mathbf{of}}, [\mathcal{E}_{\mathbf{ff}}])}^{\mathbf{s}}(\partial X; \mathbf{E}; X)$. Then \mathbf{B} induces a continuous linear map

$$\mathbf{B} : C^\infty(\partial X; \mathbf{E}) \rightarrow \mathcal{A}_{\text{phg}}^{\mathcal{E}_{\mathbf{of}}}(X).$$

- (3) Let $\mathbf{Q} \in \Psi_{\text{phg}}^{-[\mathcal{E}], (\mathbf{s}, \mathbf{t})}(\partial X; \mathbf{E}, \mathbf{F})$. Then \mathbf{Q} induces a continuous linear map

$$\mathbf{Q} : C^\infty(\partial X; \mathbf{E}) \rightarrow C^\infty(\partial X; \mathbf{F}).$$

Proof. Point 3 follows from Corollary 4.43 and the fact that pseudodifferential operators on ∂X map smooth sections to smooth sections. Similarly, Points 1 and 2 follow from Corollary 4.36 and the previous theorem. \square

5.3. Asymptotic sums and differentiations of symbols. Before discussing formal adjoints and composition theorems, we need to pause for a moment and discuss asymptotic sums and differentiations of 0-trace, 0-Poisson, 0-interior and 0b-interior symbols.

Let's first briefly recall the standard theory. If $q_j(y; \eta) \in S_S^{m-j}(\mathbb{R}^n; \mathbb{R}^n)$, an asymptotic sum $q \sim \sum_j q_j$ is a symbol $q(y; \eta) \in S_S^m(\mathbb{R}^n; \mathbb{R}^n)$ such that, for every M , we have

$$q(y; \eta) - \sum_{j \leq M} q_j(y; \eta) \in S_S^{m-M}(\mathbb{R}^n; \mathbb{R}^n).$$

The symbol space $S_S^m(\mathbb{R}^n; \mathbb{R}^n)$ is asymptotically complete, meaning that given a sequence $q_j(y; \eta) \in S_S^{m-j}(\mathbb{R}^n; \mathbb{R}^n)$, an asymptotic sum $q \sim \sum_j q_j$ exists. Such q is unique modulo $S_S^{-\infty}(\mathbb{R}^n; \mathbb{R}^n)$: indeed, if $q, q' \sim \sum_j q_j$, and we call $q_M = \sum_{j \leq M} q_j$, we have

$$q - q' = (q - q_M) - (q' - q_M) \in S_S^{m-M}(\mathbb{R}^n; \mathbb{R}^n)$$

for every M , which implies that $q - q' \in S_S^{-\infty}(\mathbb{R}^n; \mathbb{R}^n)$. Concerning differentiation of symbols, we have continuous linear maps

$$\begin{aligned}\partial_y^\alpha &: S_S^m(\mathbb{R}^n; \mathbb{R}^n) \rightarrow S_S^m(\mathbb{R}^n; \mathbb{R}^n) \\ \partial_\eta^\alpha &: S_S^m(\mathbb{R}^n; \mathbb{R}^n) \rightarrow S_S^{m-|\alpha|}(\mathbb{R}^n; \mathbb{R}^n).\end{aligned}$$

Since $S_S^m(\mathbb{R}^n; \mathbb{R}^n) = \mathcal{S}(\mathbb{R}^n) \hat{\otimes} \mathcal{A}^{-m}(\overline{\mathbb{R}^n})$, the statement about ∂_y^α is obvious, while for the statement about ∂_η^α it suffices to observe that:

- (1) $\langle \eta \rangle^{|\alpha|} \partial_\eta^\alpha$ is a b -differential operator on $\overline{\mathbb{R}^n}$, and therefore it acts continuously on $\mathcal{A}^{-m}(\overline{\mathbb{R}^n})$;
- (2) $\langle \eta \rangle^{-1}$ vanishes simply at $\partial \overline{\mathbb{R}^n}$, and therefore the multiplication by $\langle \eta \rangle^{-|\alpha|}$ induces a continuous linear map $\mathcal{A}^{-m}(\overline{\mathbb{R}^n}) \rightarrow \mathcal{A}^{-m+|\alpha|}(\overline{\mathbb{R}^n})$.

Now consider the symbol spaces $S_{0\text{tr},S}^{-\infty,\mathcal{E}}(\mathbb{R}^n; \mathbb{R}_1^{n+1})$, $S_{0\text{P},S}^{-\infty,\mathcal{E}}(\mathbb{R}^n; \mathbb{R}_1^{n+1})$, $S_{0,S}^{-\infty,\mathcal{E}}(\mathbb{R}^n; \mathbb{R}_2^{n+2})$, $S_{0b,S}^{-\infty,\mathcal{E}}(\mathbb{R}^n; \mathbb{R}_2^{n+2})$. These spaces are all asymptotically complete at each face. This is just a feature of polyhomogeneous functions on manifolds with corners, cf. [Mel96]. We are only concerned about asymptotic completeness at the front face for 0-trace and 0-Poisson symbols, and at the 0-front face for 0-interior and 0b-interior symbols. For example, in the 0-Poisson case, consider a sequence $b_j \in S_{0\text{P},S}^{-\infty,(\mathcal{E}_{\text{of}},\mathcal{E}_{\text{ff}}+j)}(\mathbb{R}^n; \mathbb{R}_1^{n+1})$. Then asymptotic completeness of $S_{0\text{P},S}^{-\infty,(\mathcal{E}_{\text{of}},\mathcal{E}_{\text{ff}})}(\mathbb{R}^n; \mathbb{R}_1^{n+1})$ at \mathbf{ff} asserts that there exists a 0-Poisson symbol $b \in S_{0\text{P},S}^{-\infty,(\mathcal{E}_{\text{of}},\mathcal{E}_{\text{ff}})}(\mathbb{R}^n; \mathbb{R}_1^{n+1})$ such that $b \sim \sum_j b_j$ in the sense that, for every M we have

$$b - \sum_{j \leq M} b_j \in \mathcal{S}(\mathbb{R}^n) \hat{\otimes} \mathcal{B}^{(\mathcal{E}_{\text{of}}, \inf(\mathcal{E}_{\text{ff}}) + M, \infty, \infty)}(\hat{P}_0^2).$$

Here $\mathcal{B}^{(\mathcal{E}_{\text{of}}, m, \infty, \infty)}(\hat{P}_0^2)$ is the space of conormal functions on \hat{P}_0^2 which are polyhomogeneous at \mathbf{of} with index set \mathcal{E}_{of} , vanish to infinite order at $\mathbf{if}_\eta, \mathbf{if}_x$, and are conormal of order m at \mathbf{ff} . A similar discussion holds for 0-trace, 0-interior and 0b-interior symbols.

Now let's discuss differentiations of symbols. The un-twisted case is straightforward:

Lemma 5.4.

- (1) The operator ∂_y^α acts continuously on the symbol spaces $S_{0\text{tr},S}^{-\infty,\mathcal{E}}(\mathbb{R}^n; \mathbb{R}_1^{n+1})$, $S_{0\text{P},S}^{-\infty,\mathcal{E}}(\mathbb{R}^n; \mathbb{R}_1^{n+1})$, $S_{0,S}^{-\infty,\mathcal{E}}(\mathbb{R}^n; \mathbb{R}_2^{n+2})$, $S_{0b,S}^{-\infty,\mathcal{E}}(\mathbb{R}^n; \mathbb{R}_2^{n+2})$.
- (2) The operator ∂_η^α induces continuous linear maps

$$\begin{aligned}S_{0\text{tr},S}^{-\infty,\mathcal{E}}(\mathbb{R}^n; \mathbb{R}_1^{n+1}) &\rightarrow S_{0\text{tr},S}^{-\infty,(\mathcal{E}_{\text{of}},\mathcal{E}_{\text{ff}}+|\alpha|)}(\mathbb{R}^n; \mathbb{R}_1^{n+1}) \\ S_{0\text{P},S}^{-\infty,\mathcal{E}}(\mathbb{R}^n; \mathbb{R}_1^{n+1}) &\rightarrow S_{0\text{P},S}^{-\infty,(\mathcal{E}_{\text{of}},\mathcal{E}_{\text{ff}}+|\alpha|)}(\mathbb{R}^n; \mathbb{R}_1^{n+1}) \\ S_{0,S}^{-\infty,\mathcal{E}}(\mathbb{R}^n; \mathbb{R}_2^{n+2}) &\rightarrow S_{0,S}^{-\infty,(\mathcal{E}_{\text{if}},\mathcal{E}_{\text{rf}},\mathcal{E}_{\text{ff}_0}+|\alpha|)}(\mathbb{R}^n; \mathbb{R}_2^{n+2}) \\ S_{0b,S}^{-\infty,\mathcal{E}}(\mathbb{R}^n; \mathbb{R}_2^{n+2}) &\rightarrow S_{0b,S}^{-\infty,(\mathcal{E}_{\text{if}},\mathcal{E}_{\text{rf}},\mathcal{E}_{\text{fb}},\mathcal{E}_{\text{ff}_0}+|\alpha|)}(\mathbb{R}^n; \mathbb{R}_2^{n+2}).\end{aligned}$$

Proof. The proof is essentially the same for all the four cases, so let's discuss in detail the 0-Poisson case. By definition, we have

$$S_{0\text{P},S}^{-\infty,\mathcal{E}}(\mathbb{R}^n; \mathbb{R}_1^{n+1}) = \mathcal{S}(\mathbb{R}^n) \hat{\otimes} \mathcal{A}_{\text{phg}}^{(\mathcal{E}_{\text{of}},\mathcal{E}_{\text{ff}},\infty,\infty)}(\hat{P}_0^2),$$

so the statement about the operator ∂_y^α is obvious. Concerning the operator ∂_η^α , it suffices to show that it induces a continuous linear map

$$\partial_\eta^\alpha : \mathcal{A}_{\text{phg}}^{(\mathcal{E}_{\text{of}},\mathcal{E}_{\text{ff}},\infty,\infty)}(\hat{P}_0^2) \rightarrow \mathcal{A}_{\text{phg}}^{(\mathcal{E}_{\text{of}},\mathcal{E}_{\text{ff}}+|\alpha|,\infty,\infty)}(\hat{P}_0^2).$$

Now, since $\langle \eta \rangle^\alpha \partial_\eta^\alpha$ is a b -differential operator on $\overline{\mathbb{R}^n}$, its lift to $\hat{P}^2 = \overline{\mathbb{R}^n}^1 \times \overline{\mathbb{R}^n}$ is a b -differential operator again. But \hat{P}_0^2 is obtained from \hat{P}^2 by blowing up a corner; since $\langle \eta \rangle^\alpha \partial_\eta^\alpha$ is tangent to the corner, it lifts to a b -differential operator on \hat{P}_0^2 as well. This implies that $\langle \eta \rangle^\alpha \partial_\eta^\alpha$ acts continuously on $\mathcal{A}_{\text{phg}}^{(\mathcal{E}_{\text{of}},\mathcal{E}_{\text{ff}},\infty,\infty)}(\hat{P}_0^2)$. Finally, since $\langle \eta \rangle^\alpha$ has index sets $-|\alpha|$ at \mathbf{ff} and \mathbf{if}_η and 0 at \mathbf{of} and \mathbf{ff}_x , multiplication by $\langle \eta \rangle^{-\alpha}$ maps $\mathcal{A}_{\text{phg}}^{(\mathcal{E}_{\text{of}},\mathcal{E}_{\text{ff}},\infty,\infty)}(\hat{P}_0^2)$ continuously to $\mathcal{A}_{\text{phg}}^{(\mathcal{E}_{\text{of}},\mathcal{E}_{\text{ff}}+|\alpha|,\infty,\infty)}(\hat{P}_0^2)$. \square

The twisted case is trickier. Let us fix smooth families $\mathfrak{s} : \overline{\mathbb{R}}^n \rightarrow \mathfrak{gl}(M, \mathbb{C}^N)$ and $\mathfrak{t} : \overline{\mathbb{R}}^n \rightarrow \mathfrak{gl}(M, \mathbb{C}^M)$ of matrices with a constant, single eigenvalue.

Lemma 5.5. *Let $b \in S_{0P,S}^{-\infty, \mathcal{E}, \mathfrak{s}}(\mathbb{R}^n; \mathbb{R}_1^{n+1}; (\mathbb{C}^N)^*)$, $a \in S_{0tr,S}^{-\infty, \mathcal{E}, \mathfrak{s}}(\mathbb{R}^n; \mathbb{R}_1^{n+1}; \mathbb{C}^N)$, and $q \in S_{phg,S}^{-\mathcal{E}_{\mathfrak{ff}}, (\mathfrak{s}, \mathfrak{t})}(\mathbb{R}^n; \text{hom}(\mathbb{C}^N, \mathbb{C}^M))$. Then:*

(1) *we have*

$$\begin{aligned} \partial_\eta^\alpha b &\in S_{0P,S}^{-\infty, (\mathcal{E}_{\text{of}}, \mathcal{E}_{\mathfrak{ff}} + |\alpha|), \mathfrak{s}}(\mathbb{R}^n; \mathbb{R}_1^{n+1}; (\mathbb{C}^N)^*) \\ \partial_\eta^\alpha a &\in S_{0tr,S}^{-\infty, (\mathcal{E}_{\text{of}}, \mathcal{E}_{\mathfrak{ff}} + |\alpha|), \mathfrak{s}}(\mathbb{R}^n; \mathbb{R}_1^{n+1}; \mathbb{C}^N) \\ \partial_\eta^\alpha q &\in S_{phg,S}^{-\mathcal{E}_{\mathfrak{ff}} + |\alpha|, (\mathfrak{s}, \mathfrak{t})}(\mathbb{R}^n; \text{hom}(\mathbb{C}^N, \mathbb{C}^M)); \end{aligned}$$

(2) *we have*

$$\begin{aligned} \partial_y^\alpha b &\in S_{0P,S}^{-\infty, (\mathcal{E}_{\text{of}}, \tilde{\mathcal{E}}_{\mathfrak{ff}}), \mathfrak{s}}(\mathbb{R}^n; \mathbb{R}_1^{n+1}; (\mathbb{C}^N)^*) \\ \partial_y^\alpha a &\in S_{0tr,S}^{-\infty, (\mathcal{E}_{\text{of}}, \tilde{\mathcal{E}}_{\mathfrak{ff}}), \mathfrak{s}}(\mathbb{R}^n; \mathbb{R}_1^{n+1}; \mathbb{C}^N) \\ \partial_y^\alpha q &\in S_{phg,S}^{-\tilde{\mathcal{E}}_{\mathfrak{ff}}, (\mathfrak{s}, \mathfrak{t})}(\mathbb{R}^n; \text{hom}(\mathbb{C}^N, \mathbb{C}^M)), \end{aligned}$$

where $\tilde{\mathcal{E}}_{\mathfrak{ff}}$ is an index set obtained from $\mathcal{E}_{\mathfrak{ff}}$ by increasing some of the logarithmic orders.

Proof. For simplicity we prove the statement only in the 0-Poisson case, since the others are very similar. By definition of $S_{0P,S}^{-\infty, \mathcal{E}, \mathfrak{s}}(\mathbb{R}^n; \mathbb{R}_1^{n+1}; (\mathbb{C}^N)^*)$, we can write

$$b(y; x, \eta) = \tilde{b}(y; x, \eta) \langle \eta \rangle^{\mathfrak{s}(y)}$$

where $\tilde{b} \in S_{0P,S}^{-\infty, \mathcal{E}}(\mathbb{R}^n; \mathbb{R}_1^{n+1}; (\mathbb{C}^N)^*)$. By incorporating the eigenvalue of \mathfrak{s} into the index set $\mathcal{E}_{\mathfrak{ff}}$, we can assume without loss of generality that \mathfrak{s} is nilpotent. Now, we have

$$\begin{aligned} \partial_{\eta_j} (\tilde{b} \langle \eta \rangle^{\mathfrak{s}}) &= (\partial_{\eta_j} \tilde{b}) \langle \eta \rangle^{\mathfrak{s}} + \tilde{b} (\partial_{\eta_j} \langle \eta \rangle^{\mathfrak{s}}) \\ &= \left(\partial_{\eta_j} \tilde{b} + \tilde{b} \left(\mathfrak{s} \langle \eta \rangle^{-1} \frac{\eta^j}{\langle \eta \rangle} \right) \right) \langle \eta \rangle^{\mathfrak{s}}. \end{aligned}$$

This computation is valid because $\mathfrak{s} = \mathfrak{s}(y)$ does not depend on η_j . Now, the function $\eta_j / \langle \eta \rangle$ is smooth on $\overline{\mathbb{R}}^n$, $\mathfrak{s}(y)$ is a smooth factor, and $\langle \eta \rangle^{-1}$ has index sets 1 at \mathfrak{ff} and \mathfrak{if}_η and 0 at \mathfrak{of} and \mathfrak{if}_x ; it then follows that the term $\tilde{b} \left(\mathfrak{s} \langle \eta \rangle^{-1} \frac{\eta^j}{\langle \eta \rangle} \right)$ is in $S_{0P,S}^{-\infty, (\mathcal{E}_{\text{of}}, \mathcal{E}_{\mathfrak{ff}} + 1)}(\mathbb{R}^n; \mathbb{R}_1^{n+1}; (\mathbb{C}^N)^*)$. We already proved that ∂_{η_j} increases the index set at the front face by 1, so $\partial_{\eta_j} \tilde{b}$ is in $S_{0P,S}^{-\infty, (\mathcal{E}_{\text{of}}, \mathcal{E}_{\mathfrak{ff}} + 1)}(\mathbb{R}^n; \mathbb{R}_1^{n+1}; (\mathbb{C}^N)^*)$ as well. Therefore, iterating this argument, we have

$$\partial_{\eta_j} (\tilde{b} \langle \eta \rangle^{\mathfrak{s}}) \in S_{0P,S}^{-\infty, (\tilde{\mathcal{E}}_{\text{of}}, \tilde{\mathcal{E}}_{\mathfrak{ff}} + |\alpha|), \mathfrak{s}}(\mathbb{R}^n; \mathbb{R}_1^{n+1}; (\mathbb{C}^N)^*).$$

Now let's consider the action of ∂_y^α . Here the hypothesis of nilpotency of \mathfrak{s} helps. Indeed, write

$$\begin{aligned} \partial_{y_j} (\tilde{b} \langle \eta \rangle^{\mathfrak{s}}) &= (\partial_{y_j} \tilde{b}) \langle \eta \rangle^{\mathfrak{s}} + \tilde{b} \left(\sum_{k < N} \frac{1}{k!} (\log \langle \eta \rangle)^k \partial_{y_j} (\mathfrak{s}^k) \right) \\ &= (\partial_{y_j} \tilde{b} + \tilde{b} \varphi(y, \eta)) \langle \eta \rangle^{\mathfrak{s}}, \end{aligned}$$

where

$$\varphi(y, \eta) = \left[\sum_{k < M} \frac{1}{k!} (\log \langle \eta \rangle)^k \partial_{y_j} (\mathfrak{s}^k) \right] \langle \eta \rangle^{-\mathfrak{s}}.$$

This factor is smooth in y , but it is *not* smooth in η . Rather, it is *polyhomogeneous*, with index set generated by the pair $(0, N - 1)$. It follows that

$$\partial_{y_j} (\tilde{b} \langle \eta \rangle^{\mathfrak{s}}) \in S_{0P,S}^{-\infty, (\mathcal{E}_{\text{of}}, \tilde{\mathcal{E}}_{\mathfrak{ff}}), -\mathfrak{s}^*}(\mathbb{R}^n; \mathbb{R}_1^{n+1}; (\mathbb{C}^N)^*),$$

where $\tilde{\mathcal{E}}_{\mathfrak{ff}}$ is obtained from $\mathcal{E}_{\mathfrak{ff}}$ by increasing some of the logarithmic orders. \square

Remark 5.6. The phenomenon we encountered in the previous proof is essentially the reason for which, when we defined the classes $\hat{\Psi}_{0\text{tr}}^{-\infty,(\mathcal{E}_{\text{of}},[\mathcal{E}\pi]),\mathfrak{s}}(X;\partial X,\mathbf{E})$, $\hat{\Psi}_{0\text{P}}^{-\infty,(\mathcal{E}_{\text{of}},[\mathcal{E}\pi]),\mathfrak{s}}(\partial X,\mathbf{E};X)$, and $\Psi_{\text{phg}}^{-[\mathcal{E}],(\mathfrak{s},\mathfrak{t})}(\partial X;\mathbf{E},\mathbf{F})$, we did not keep track of the precise index set at the front face (or at $|\eta| = \infty$ in the boundary case), but only of its leading set. The reason is essentially that, when differentiating symbols in the classes

$$\begin{aligned} & S_{0\text{tr},\mathcal{S}}^{-\infty,\mathcal{E},\mathfrak{s}}(\mathbb{R}^n;\mathbb{R}_1^{n+1};\mathbb{C}^N) \\ & S_{0\text{P},\mathcal{S}}^{-\infty,\mathcal{E},\mathfrak{s}}(\mathbb{R}^n;\mathbb{R}_1^{n+1};(\mathbb{C}^N)^*) \\ & S_{\text{phg},\mathcal{S}}^{-\mathcal{E},(\mathfrak{s},\mathfrak{t})}(\mathbb{R}^n;\text{hom}(\mathbb{C}^N,\mathbb{C}^M)), \end{aligned}$$

the operator ∂_y^α causes a logarithmic loss of regularity (at the front face in the first two cases, and at $|\eta| = \infty$ in the third case). When we will discuss formal adjoints and composition theorems for the classes $\hat{\Psi}_{0\text{tr}}^{-\infty,(\mathcal{E}_{\text{of}},[\mathcal{E}\pi]),\mathfrak{s}}(X;\partial X,\mathbf{E})$, $\hat{\Psi}_{0\text{P}}^{-\infty,(\mathcal{E}_{\text{of}},[\mathcal{E}\pi]),\mathfrak{s}}(\partial X,\mathbf{E};X)$, and $\Psi_{\text{phg}}^{-[\mathcal{E}],(\mathfrak{s},\mathfrak{t})}(\partial X;\mathbf{E},\mathbf{F})$, we will need to use asymptotic sums argument; because of this logarithmic loss, we will not be able to control the whole index set, but only its leading set. This issue is however tamed by the fact that we are dealing with twisting endomorphisms with constant eigenvalues: indeed, thanks to this property, the logarithmic loss is still *finite*, and therefore we can stay in the polyhomogeneous class. If we want to allow twisting endomorphisms with non-constant eigenvalues (a necessary thing to do if one wants to consider 0-elliptic problems with non-constant indicial roots), things get more complicated. The paper [KM15] discusses this issue extensively.

5.4. Formal adjoints. We now discuss formal adjoints. For simplicity, let's fix a boundary defining function x and a smooth positive density ω on X , and choose an arbitrary real weight δ . This allows us to define an inner product on $x^\delta L_b^2(X)$ by

$$(u,v)_{x^\delta L_b^2} = \int_X u \bar{v} x^{-2\delta-1} \omega.$$

Moreover, given the choice of our auxiliary vector field V , contracting $\omega|_{\partial X}$ with $V|_{\partial X}$ we obtain a smooth positive density on ∂X which we call ν . This allows us to define an inner product on $L^2(\partial X)$. We denote by \dagger the formal adjoint operator with respect to these choices of inner products.

The discussion of the properties of the operator \dagger is again reduced to a local discussion. For example, let us summarize how to prove that if $Q \in \Psi^m(\partial X)$, then $Q^\dagger \in \Psi^m(\partial X)$ as well. Given a covering of ∂X into coordinate charts (U_i, φ_i) , we can write $Q = \sum_i Q_i + R$ where Q_i is compactly supported on $U_i \times U_i$ and $R \in \Psi^{-\infty}(\partial X)$. The proof that $R^\dagger \in \Psi^{-\infty}(\partial X)$ is straightforward. Concerning the terms Q_i , call y the coordinates induced by the chart and write $Q_i = \text{Op}_L(q_i) \in \Psi_S^m(\mathbb{R}^n)$ for some $q_i(y; \eta) \in \mathcal{S}(\mathbb{R}^n) \hat{\otimes} \mathcal{A}^{-m}(\overline{\mathbb{R}^n})$. Then, up to conjugating Q_i by a smooth compactly supported function, it suffices to prove that Q_i^* , the formal adjoint with respect to the coordinate density dy , is again in $\Psi_S^m(\mathbb{R}^n)$.

A way to prove this is to use the *right quantization map*. Formally, this map is defined as

$$\begin{aligned} \text{Op}_R : S_S^m(\mathbb{R}^n; \mathbb{R}^n) \times \mathcal{S}(\mathbb{R}^n) &\rightarrow \mathcal{S}(\mathbb{R}^n) \\ (q(\tilde{y}; \eta), u(y)) &\mapsto \frac{1}{(2\pi)^n} \int e^{i(y-\tilde{y})\eta} q(\tilde{y}; \eta) u(\tilde{y}) d\tilde{y} d\eta. \end{aligned}$$

One way to check that this map is well-defined is to observe that $S_S^m(\mathbb{R}^n; \mathbb{R}^n) = \mathcal{S}(\mathbb{R}^n) \hat{\otimes} \mathcal{A}^{-m}(\overline{\mathbb{R}^n})$, and on decomposable symbols $q(\tilde{y}; \eta) = a(\tilde{y}) q'(\eta)$ we have

$$\text{Op}_R(a(\tilde{y}) q'(\eta)) u = \frac{1}{(2\pi)^n} \int e^{iy\eta} q'(\eta) \widehat{a \cdot u}(\eta) d\eta;$$

this map is clearly bilinear continuous in a and q' , so by the universal property of the completed projective tensor product $\hat{\otimes} \text{Op}_R$ extends to $S_S^m(\mathbb{R}^n; \mathbb{R}^n)$. Now, it is not hard to prove that the range of Op_R on $S_S^m(\mathbb{R}^n; \mathbb{R}^n)$ coincides with $\Psi_S^m(\mathbb{R}^n)$. More precisely, for every ‘‘right-reduced symbol’’ $q(\tilde{y}; \eta) \in S_S^m(\mathbb{R}^n; \mathbb{R}^n)$, there exists a unique ‘‘left-reduced symbol’’ $q_L(y; \eta) \in S_S^m(\mathbb{R}^n; \mathbb{R}^n)$ such that $\text{Op}_R(q(\tilde{y}; \eta)) = \text{Op}_L(q_L(y; \eta))$. Moreover, q_L is determined modulo $S_S^{-\infty}(\mathbb{R}^n; \mathbb{R}^n)$ as

an asymptotic sum

$$q_L(y; \eta) \sim \sum_{\alpha} \frac{1}{\alpha!} (D_{\eta}^{\alpha} \partial_{\tilde{y}}^{\alpha} q)|_{\tilde{y}=y}.$$

Now, if $Q = \text{Op}_L(q(y; \eta))$, its Schwartz kernel is $Q(y; y - \tilde{y}) d\tilde{y}$, with $Q(y; Y)$ equal to the inverse Fourier transform of $q(y; \eta)$. Similarly, if $Q = \text{Op}_R(q(\tilde{y}; \eta))$, its Schwartz kernel is $Q(\tilde{y}; y - \tilde{y}) d\tilde{y}$ where $Q(\tilde{y}; Y)$ is the inverse Fourier transform of $q(\tilde{y}; \eta)$. Finally, if $Q = \text{Op}_L(q) = Q(y; y - \tilde{y}) d\tilde{y}$, then it is straightforward to check that $Q^* = \overline{Q(\tilde{y}; \tilde{y} - y) d\tilde{y}}$. Therefore, $Q^* = \text{Op}_R(q^*)$, where $q^*(\tilde{y}; \eta) = \overline{q(\tilde{y}; -\eta)}$. Since $q \in S_S^m(\mathbb{R}^n; \mathbb{R}^n)$, it is clear that $q^* \in S_S^m(\mathbb{R}^n; \mathbb{R}^n)$ as well and therefore $Q^* \in \Psi_S^m(\mathbb{R}^n)$.

The argument is very similar for our classes of operators. Let's start with the un-twisted case:

Proposition 5.7.

(1) Let $A \in \hat{\Psi}_{0\text{tr}}^{-\infty, \mathcal{E}}(X, \partial X)$. Then $A^{\dagger} \in \hat{\Psi}_{0\text{P}}^{-\infty, \mathcal{F}}(\partial X, X)$, where

$$\begin{aligned} \mathcal{F}_{\text{of}} &= \overline{\mathcal{E}}_{\text{of}} + 2\delta + 1 \\ \mathcal{F}_{\text{ff}} &= \overline{\mathcal{E}}_{\text{ff}} + 2\delta. \end{aligned}$$

(2) Let $B \in \hat{\Psi}_{0\text{P}}^{-\infty, \mathcal{E}}(\partial X, X)$. Then $B^{\dagger} \in \hat{\Psi}_{0\text{tr}}^{-\infty, \mathcal{F}}(\partial X, X)$, where

$$\begin{aligned} \mathcal{F}_{\text{of}} &:= \overline{\mathcal{E}}_{\text{of}} - 2\delta - 1 \\ \mathcal{F}_{\text{ff}} &:= \overline{\mathcal{E}}_{\text{ff}} - 2\delta. \end{aligned}$$

(3) Let $P \in \hat{\Psi}_0^{-\infty, \mathcal{E}}(X)$. Then $P^{\dagger} \in \hat{\Psi}_0^{-\infty, \mathcal{F}}(X)$, where

$$\begin{aligned} \mathcal{F}_{\text{lf}} &= \overline{\mathcal{E}}_{\text{rf}} + 2\delta + 1 \\ \mathcal{F}_{\text{rf}} &= \overline{\mathcal{E}}_{\text{lf}} - 2\delta - 1 \\ \mathcal{F}_{\text{ff}_0} &= \overline{\mathcal{E}}_{\text{ff}_0}. \end{aligned}$$

(4) Let $P \in \hat{\Psi}_{0b}^{-\infty, \mathcal{E}}(X)$. Then $P^{\dagger} \in \hat{\Psi}_{0b}^{-\infty, \mathcal{F}}(X)$, where

$$\begin{aligned} \mathcal{F}_{\text{lf}} &= \overline{\mathcal{E}}_{\text{rf}} + 2\delta + 1 \\ \mathcal{F}_{\text{rf}} &= \overline{\mathcal{E}}_{\text{lf}} - 2\delta - 1 \\ \mathcal{F}_{\text{ff}_0} &= \overline{\mathcal{E}}_{\text{ff}_0} \\ \mathcal{F}_{\text{ff}_b} &= \overline{\mathcal{E}}_{\text{ff}_b}. \end{aligned}$$

Proof. We exemplify the argument for the 0-trace case, since all the other cases are proved similarly. Let $A \in \hat{\Psi}_{0\text{tr}}^{-\infty, \mathcal{E}}(X, \partial X)$. Choose again an atlas (U_i, φ_i) for ∂X , and decompose as above $A = \sum_i A_i + R_A$ where $R_A \in \Psi_{\text{tr}}^{-\infty, \mathcal{E}_{\text{of}}}(X, \partial X)$ and the A_i are compactly supported in an open $U_i \times [0, \varepsilon) \times U_i$ of $\partial X \times X$. It is straightforward to check that $R_A^{\dagger} \in \Psi_{\text{tr}}^{-\infty, \mathcal{E}_{\text{of}}}(X, \partial X)$, and in the chosen coordinates we have $A_i \in \hat{\Psi}_{0\text{tr}, \mathcal{S}}^{-\infty, \mathcal{E}}(\mathbb{R}_1^{n+1}, \mathbb{R}^n)$. It suffices to prove that the formal adjoint A_i^* with respect to the density $x^{-2\delta-1} dx dy$ on \mathbb{R}_1^{n+1} and the density dy on \mathbb{R}^n is in $\hat{\Psi}_{0\text{P}, \mathcal{S}}^{-\infty, \mathcal{E}}(\mathbb{R}^n, \mathbb{R}_1^{n+1})$. As in the standard case, one constructs the right trace and Poisson quantization maps, and one proves that the left and right quantization maps have the same range. The proof is omitted because it is essentially equal to the standard one. Now, if $A = \text{Op}_L^{\text{tr}}(a) \in \hat{\Psi}_{0\text{tr}, \mathcal{S}}^{-\infty, \mathcal{E}}(\mathbb{R}_1^{n+1}, \mathbb{R}^n)$ for some $a = a(y; \tilde{x}, \eta) \in S_{0\text{tr}, \mathcal{S}}^{-\infty, \mathcal{E}}(\mathbb{R}^n; \mathbb{R}_1^{n+1})$, and we write the Schwartz kernel of A as $A(y; \tilde{x}, y - \tilde{y}) d\tilde{x} d\tilde{y}$ so that $A(y; \tilde{x}, Y)$ is the inverse Fourier transform of $a(y; \tilde{x}, \eta)$, then the Schwartz kernel of A^* is $x^{2\delta+1} \overline{A(\tilde{y}; x, \tilde{y} - y) d\tilde{y}}$. Therefore, $A^* = \text{Op}_R^{\text{P}}(a^*)$, where $a^*(\tilde{y}; x, \eta) = x^{2\delta+1} \overline{a(\tilde{y}; x, -\eta)}$. Since

$$\begin{aligned} a(y; \tilde{x}, \eta) &\in S_{0\text{tr}, \mathcal{S}}^{-\infty, \mathcal{E}}(\mathbb{R}^n; \mathbb{R}_1^{n+1}) \\ &= \mathcal{S}(\mathbb{R}^n) \hat{\otimes}_{\text{phg}} \mathcal{A}_{\text{phg}}^{(\mathcal{E}_{\text{of}}, \mathcal{E}_{\text{ff}}-1, \infty, \infty)}(\hat{T}_0^2), \end{aligned}$$

it follows that $\overline{a(\tilde{y}; x, -\eta)} \in \mathcal{S}(\mathbb{R}^n) \hat{\otimes}_{\text{phg}}^{\overline{\mathcal{E}}_{\text{of}}, \overline{\mathcal{E}}_{\text{ff}}-1, \infty, \infty}(\hat{P}_0^2)$. Finally, x is polyhomogeneous on \hat{P}^2 with index sets $(1, 0, 0)$, so its lift to \hat{P}_0^2 has index sets $(1, 1, 0, 0)$. Therefore,

$$\begin{aligned} x^{2\delta+1} \overline{a(\tilde{y}; x, -\eta)} &\in \mathcal{S}(\mathbb{R}^n) \hat{\otimes}_{\text{phg}}^{\overline{\mathcal{E}}_{\text{of}}+2\delta+1, \overline{\mathcal{E}}_{\text{ff}}+2\delta, \infty, \infty}(\hat{P}_0^2) \\ &= S_{0\text{P}}^{-\infty, \mathcal{F}}(\mathbb{R}^n; \mathbb{R}_1^{n+1}). \end{aligned}$$

This concludes the proof. \square

Let's now consider the twisted case.

Proposition 5.8. *Let \mathbf{E}, \mathbf{F} be smooth vector bundles on ∂X , and let $\mathfrak{s}, \mathfrak{t}$ be smooth endomorphisms of \mathbf{E}, \mathbf{F} with constant eigenvalues. Choose Hermitian metrics on \mathbf{E}, \mathbf{F} . Denote by $\mathfrak{s}^*, \mathfrak{t}^*$ the Hermitian adjoints of the operators above with respect to the metrics.*

(1) *Let $\mathbf{A} \in \hat{\Psi}_{0\text{tr}}^{-\infty, (\mathcal{E}_{\text{of}}, [\mathcal{E}_{\text{ff}}]), \mathfrak{s}}(X; \partial X, \mathbf{E})$. Then $\mathbf{A}^\dagger \in \hat{\Psi}_{0\text{P}}^{-\infty, (\mathcal{F}_{\text{of}}, [\mathcal{F}_{\text{ff}}]), -\mathfrak{s}^*}(\partial X, X; \mathbf{E})$, where*

$$\begin{aligned} \mathcal{F}_{\text{of}} &:= \overline{\mathcal{E}}_{\text{of}} + 2\delta + 1 \\ [\mathcal{F}_{\text{ff}}] &:= [\overline{\mathcal{E}}_{\text{ff}}] + 2\delta. \end{aligned}$$

(2) *Let $\mathbf{B} \in \hat{\Psi}_{0\text{P}}^{-\infty, (\mathcal{E}_{\text{of}}, [\mathcal{E}_{\text{ff}}]), \mathfrak{s}}(\partial X, \mathbf{E}; X)$. Then $\mathbf{B}^\dagger \in \hat{\Psi}_{0\text{tr}}^{-\infty, (\mathcal{F}_{\text{of}}, [\mathcal{F}_{\text{ff}}]), -\mathfrak{s}^*}(X, \partial X; \mathbf{E})$, where*

$$\begin{aligned} \mathcal{F}_{\text{of}} &:= \overline{\mathcal{E}}_{\text{of}} - 2\delta - 1 \\ [\mathcal{F}_{\text{ff}}] &:= [\overline{\mathcal{E}}_{\text{ff}}] - 2\delta. \end{aligned}$$

(3) *Let $\mathbf{Q} \in \Psi_{\text{phg}}^{-[\mathcal{E}], (\mathfrak{s}, \mathfrak{t})}(\partial X; \mathbf{E}, \mathbf{F})$. Then $\mathbf{Q}^* \in \Psi_{\text{phg}}^{-[\mathcal{E}], (-\mathfrak{t}^*, -\mathfrak{s}^*)}(\partial X; \mathbf{F}, \mathbf{E})$.*

Proof. Again, let's only prove the 0-trace case for simplicity. As in the proof of the un-twisted case, it suffices to prove the local version of the statement. Moreover, decomposing the operator in terms of the generalized eigenbundle decomposition of \mathfrak{s} , we can assume that the twisting endomorphism has only one eigenvalue. Incorporating the eigenvalue in the index set at the front face, we can assume without loss of generality that the endomorphism is nilpotent. Finally, up to rescaling the operator, we can also assume that $\delta = -1/2$. Thus, we are left to prove the following statement: given $A = \text{Op}_L^{\text{tr}}(\langle \eta \rangle^{-\mathfrak{s}(y)} a(y; \tilde{x}, \eta)) \in \hat{\Psi}_{0\text{tr}, S}^{-\infty, (\mathcal{E}_{\text{of}}, \mathcal{E}_{\text{ff}}), \mathfrak{s}}(\mathbb{R}^{n+1}; \mathbb{R}^n, \mathbb{C}^N)$, where $a(y; \tilde{x}, \eta) \in S_{0\text{tr}, S}^{-\infty, (\mathcal{E}_{\text{of}}, \mathcal{E}_{\text{ff}})}(\mathbb{R}^n; \mathbb{R}_1^{n+1}; \mathbb{C}^N)$, and $\mathfrak{s} : \overline{\mathbb{R}}^n \rightarrow \text{GL}(N, \mathbb{C})$ a smooth family of nilpotent matrices, the formal adjoint A^* with respect to the density $dx dy$ on \mathbb{R}_1^{n+1} and the density dy on \mathbb{R}^n is an element of $\hat{\Psi}_{0\text{P}, S}^{-\infty, (\overline{\mathcal{E}}_{\text{of}}, \mathcal{F}_{\text{ff}}), -\mathfrak{s}^*}(\mathbb{R}^n, \mathbb{C}^N; \mathbb{R}_1^{n+1})$ where \mathcal{F}_{ff} is an index set such that $[\mathcal{F}_{\text{ff}}] = [\overline{\mathcal{E}}_{\text{ff}}] - 1$.

Call $\tilde{a}(y; \tilde{x}, \eta) = \langle \eta \rangle^{-\mathfrak{s}(y)} a(y; \tilde{x}, \eta)$. We know from Lemma 4.30 that $\tilde{a} \in S_{0\text{tr}, S}^{-\infty, (\mathcal{E}'_{\text{of}}, \mathcal{E}'_{\text{ff}})}(\mathbb{R}^n; \mathbb{R}_1^{n+1}; \mathbb{C}^N)$, where \mathcal{E}'_{ff} is an index set obtained from \mathcal{E}_{ff} by increasing some of the logarithmic orders. From the proof of the previous proposition, we know that $A^* = \text{Op}_R^{\text{P}}(\tilde{b}(\tilde{y}; x, \eta))$, where

$$\tilde{b}(\tilde{y}; x, \eta) = (\tilde{a}(\tilde{y}; x, -\eta))^* \in S_{0\text{P}, S}^{-\infty, (\overline{\mathcal{E}}_{\text{of}}, \overline{\mathcal{E}}'_{\text{ff}}-1)}(\mathbb{R}^n; \mathbb{R}_1^{n+1}; (\mathbb{C}^N)^*)$$

and the $*$ on the right denotes transpose conjugate. Now, write $\tilde{b}_L(y; x, \eta)$ for the left reduction of $\tilde{b}(\tilde{y}; x, \eta)$. Analogously to the standard case of symbols in \mathbb{R}^n , $\tilde{b}_L(y; x, \eta)$ is determined modulo $S_{\text{P}}^{-\infty, \mathcal{E}_{\text{of}}}(\mathbb{R}^n; \mathbb{R}_1^{n+1}; (\mathbb{C}^N)^*)$ as an asymptotic sum

$$\tilde{b}_L(y; x, \eta) \sim \sum_{\alpha} \frac{1}{\alpha!} \left(D_{\eta}^{\alpha} \partial_{\tilde{y}}^{\alpha} \tilde{b} \right)_{|\tilde{y}=y}.$$

Now, we have

$$\begin{aligned} \tilde{b}(\tilde{y}; x, \eta) &= (\tilde{a}(\tilde{y}; x, -\eta))^* \\ &= a(\tilde{y}; \tilde{x}, -\eta)^* \langle \eta \rangle^{-\mathfrak{s}^*(\tilde{y})} \\ &\in S_{0\text{P}, S}^{-\infty, (\overline{\mathcal{E}}_{\text{of}}, \overline{\mathcal{E}}_{\text{ff}}-1), -\mathfrak{s}^*}(\mathbb{R}^n; \mathbb{R}_1^{n+1}; (\mathbb{C}^N)^*). \end{aligned}$$

Therefore, by Lemma 5.5, we have for $|\alpha| > 0$

$$\frac{1}{\alpha!} \left(D_\eta^\alpha \partial_{\tilde{y}}^\alpha \tilde{b} \right)_{|\tilde{y}=y} \in S_{0P,S}^{-\infty, (\bar{\mathcal{E}}_{\text{of}}, \bar{\mathcal{E}}_{\text{ff}}^{(\alpha)} + |\alpha| - 1), -s^*} \left(\mathbb{R}^n; \mathbb{R}_1^{n+1}; (\mathbb{C}^N)^* \right),$$

where $\bar{\mathcal{E}}_{\text{ff}}^{(\alpha)}$ is an index set obtained from $\bar{\mathcal{E}}_{\text{ff}}$ by increasing some of the logarithmic orders. Note that the union

$$\mathcal{F}_{\text{ff}} = \bar{\mathcal{E}}_{\text{ff}} \bigcup_{|\alpha| > 0} \left(\bar{\mathcal{E}}_{\text{ff}}^{(\alpha)} + |\alpha| - 1 \right)$$

is an index set, because only finitely many log terms can be added at each level. Moreover, we have $[\mathcal{F}_{\text{ff}}] = [\bar{\mathcal{E}}_{\text{ff}}] - 1$. By asymptotic completeness, we have

$$\tilde{b}_L \in S_{0P,S}^{-\infty, (\bar{\mathcal{E}}_{\text{of}}, \mathcal{F}_{\text{ff}}), -s^*} \left(\mathbb{R}^n; \mathbb{R}_1^{n+1}; (\mathbb{C}^N)^* \right)$$

which implies that

$$\hat{\Psi}_{0P,S}^{-\infty, (\bar{\mathcal{E}}_{\text{of}}, \mathcal{F}_{\text{ff}}), -s^*} \left(\mathbb{R}^n, \mathbb{C}^N; \mathbb{R}_1^{n+1} \right)$$

as claimed. \square

5.5. Composition theorems. We now discuss composition results. As in the previous subsections, we imitate the standard proof of the composition theorem for pseudodifferential operators on a closed manifold, i.e. the fact that

$$\Psi^m(\partial X) \circ \Psi^{m'}(\partial X) \subseteq \Psi^{m+m'}(\partial X).$$

Let's briefly review the proof. Let $A \in \Psi^m(\partial X)$ and $B \in \Psi^{m'}(\partial X)$. Choose an atlas (U_i, φ_i) such that, for every pair i, j for which $U_i \cap U_j \neq \emptyset$, the union $U_i \cup U_j$ is contained in the domain \tilde{U}_{ij} of a chart $\tilde{\varphi}_{ij}$. Now, decompose $A = \sum_i A_i + R_A$ and $B = \sum_i B_i + R_B$, where A_i, B_i are compactly supported in $U_i \times U_i$, and $R_A, R_B \in \Psi^{-\infty}(\partial X)$. Then

$$AB = \sum_{ij} A_i B_j + \sum_i (A_i R_B + R_A B_i) + R_A R_B.$$

It is straightforward to prove that $R_A R_B \in \Psi^{-\infty}(\partial X)$. It is also easy to check that $A_i R_B \in \Psi^{-\infty}(\partial X)$: since A_i acts continuously as a map $A_i : C^\infty(\partial X) \rightarrow C^\infty(\partial X)$, and since $\Psi^{-\infty}(\partial X) = C^\infty(\partial X) \hat{\otimes} C^\infty(\partial X; \mathcal{D}_{\partial X}^1)$, the action of A_i on the left factor determines a continuous linear map $A_i : \Psi^{-\infty}(\partial X) \rightarrow \Psi^{-\infty}(\partial X)$. To prove that $R_A B_i \in \Psi^{-\infty}(\partial X)$ as well, we observe that $R_A B_i = (B_i^* R_A^*)^*$; since $B_i^* \in \Psi^m(\partial X)$ and $R_A^* \in \Psi^{-\infty}(\partial X)$, $B_i^* R_A^* \in \Psi^{-\infty}(\partial X)$ and therefore $R_A B_i \in \Psi^{-\infty}(\partial X)$ as well. Finally it remains to prove that $A_i B_j \in \Psi^{m+m'}(\partial X)$. Now, the point is that if U_i and U_j are disjoint, then $A_i B_j = 0$, while if $U_i \cap U_j \neq \emptyset$, we can think of A_i, B_j in coordinates induced by the chart $(\tilde{U}_{ij}, \tilde{\varphi}_{ij})$ as operators $A_i \in \Psi_S^m(\mathbb{R}^n)$, $B_j \in \Psi_S^{m'}(\mathbb{R}^n)$. Thus, it suffices to prove that $\Psi_S^m(\mathbb{R}^n) \circ \Psi_S^{m'}(\mathbb{R}^n) \subseteq \Psi_S^{m+m'}(\mathbb{R}^n)$.

To prove this statement, we use the *full quantization map*

$$\begin{aligned} \text{Op} : S_S^m(\mathbb{R}^{2n}; \mathbb{R}^n) &\rightarrow \text{Op}(\mathbb{R}^n) \\ q(y, \tilde{y}; \eta) &\mapsto \frac{1}{(2\pi)^n} \int e^{i(y-\tilde{y})\eta} q(y, \tilde{y}; \eta) d\eta d\tilde{y}. \end{aligned}$$

Analogously to the right quantization map used in §5.4, to properly interpret this map we decompose $S_S^m(\mathbb{R}^{2n}; \mathbb{R}^n) = \mathcal{S}(\mathbb{R}^n) \hat{\otimes} \mathcal{S}(\mathbb{R}^n) \hat{\otimes} \mathcal{A}^{-m}(\overline{\mathbb{R}^n})$ and then we observe that the map

$$(a(y), b(\tilde{y}), q(\eta), u(y)) \mapsto a(y) \frac{1}{(2\pi)^n} \int e^{iy\eta} \widehat{b \cdot u}(\eta) d\eta$$

is well-defined and continuous multilinear from $\mathcal{S}(\mathbb{R}^n) \times \mathcal{S}(\mathbb{R}^n) \times \mathcal{A}^{-m}(\overline{\mathbb{R}^n}) \times \mathcal{S}(\mathbb{R}^n)$ to $\mathcal{S}(\mathbb{R}^n)$, so from the universal property of $\hat{\otimes}$ it induces a continuous linear map $S_S^m(\mathbb{R}^{2n}; \mathbb{R}^n) \rightarrow \text{Op}(\mathbb{R}^n)$. Again, one can prove that $\text{Op}(S_S^m(\mathbb{R}^{2n}; \mathbb{R}^n))$ coincides with $\Psi_S^m(\mathbb{R}^n)$, i.e. for every full symbol $q(y, \tilde{y}; \eta) \in S_S^m(\mathbb{R}^{2n}; \mathbb{R}^n)$ there exists a unique left-reduced symbol $q_L(y; \eta) \in S_S^m(\mathbb{R}^n; \mathbb{R}^n)$ such that $\text{Op}(q) = \text{Op}_L(q_L)$. Now, if $A \in \Psi_S^m(\mathbb{R}^n)$ and $B \in \Psi_S^{m'}(\mathbb{R}^n)$, we can write $A = \text{Op}_L(a)$ and

$B = \text{Op}_R(b)$ for a left-reduced symbol $a(y; \eta)$ and a right-reduced symbol $b(\tilde{y}; \eta)$. By definition of Op_L and Op_R , we have

$$\begin{aligned} ABu &= \frac{1}{(2\pi)^n} \int e^{iy\eta} a(y; \eta) \widehat{Bu}(\eta) d\eta \\ &= \frac{1}{(2\pi)^n} \int e^{i(y-\tilde{y})\eta} a(y; \eta) b(\tilde{y}; \eta) u(\tilde{y}) d\tilde{y}d\eta. \end{aligned}$$

The proof is concluded if we can show that $a(y; \eta) b(\tilde{y}; \eta) \in S_S^{m+m'}(\mathbb{R}^{2n}; \mathbb{R}^n)$: using the definition $S_S^m(\mathbb{R}^k; \mathbb{R}^n) = \mathcal{S}(\mathbb{R}^k) \hat{\otimes} \mathcal{A}^{-m}(\overline{\mathbb{R}^n})$, this follows immediately by observing that the multiplication map

$$\begin{aligned} \mathcal{A}^{-m}(\overline{\mathbb{R}^n}) \times \mathcal{A}^{-m'}(\overline{\mathbb{R}^n}) &\rightarrow \mathcal{A}^{-(m+m')}(\overline{\mathbb{R}^n}) \\ (a(\eta), b(\eta)) &\mapsto a(\eta) b(\eta) \end{aligned}$$

is well-defined and continuous. It is often useful to express all the operators A, B and $C = AB$ as left quantizations: if $A = \text{Op}_L(a)$ and $B = \text{Op}_L(b)$, then the composition $C = AB$ is expressed as a left quantization $C = \text{Op}_L(c)$, where the symbol $c(y; \eta)$ is uniquely determined modulo $S_S^{-\infty}(\mathbb{R}^n; \mathbb{R}^n)$ as an asymptotic sum

$$c(y; \eta) \sim \sum_{\alpha} \frac{1}{\alpha!} (\partial_{\eta}^{\alpha} a) (D_{\tilde{y}}^{\alpha} b).$$

5.5.1. *Local composition theorems for un-twisted operators.* Let us first prove the local versions of the composition results which do not involve twisted symbolic 0-trace, 0-Poisson and boundary operators. We prove three theorems:

Theorem 5.9. *Let $\mathcal{E} = (\mathcal{E}_{\text{of}}, \mathcal{E}_{\text{ff}})$, $\mathcal{F} = (\mathcal{F}_{\text{of}}, \mathcal{F}_{\text{ff}})$ and \mathcal{G} be index sets. Let $A \in \hat{\Psi}_{0, \text{tr}, S}^{-\infty, \mathcal{F}}(\mathbb{R}_1^{n+1}, \mathbb{R}^n)$, $B \in \hat{\Psi}_{0, \text{P}, S}^{-\infty, \mathcal{E}}(\mathbb{R}^n, \mathbb{R}_1^{n+1})$ and $Q \in \Psi_{\text{phg}, S}^{-\mathcal{G}}(\mathbb{R}^n)$. Then:*

- (1) BQ is well-defined and in $\hat{\Psi}_{0, \text{P}, S}^{-\infty, (\mathcal{E}_{\text{of}}, \mathcal{E}_{\text{ff}} + \mathcal{G})}(\mathbb{R}^n, \mathbb{R}_1^{n+1})$;
- (2) QA is well-defined and in $\hat{\Psi}_{0, \text{tr}, S}^{-\infty, (\mathcal{F}_{\text{of}}, \mathcal{F}_{\text{ff}} + \mathcal{G})}(\mathbb{R}_1^{n+1}, \mathbb{R}^n)$;
- (3) BA is well-defined and in $\hat{\Psi}_{0, S}^{-\infty, (\mathcal{E}_{\text{of}}, \mathcal{F}_{\text{of}}, \mathcal{E}_{\text{ff}} + \mathcal{F}_{\text{ff}})}(\mathbb{R}_1^{n+1})$;
- (4) if $\Re(\mathcal{F}_{\text{of}} + \mathcal{E}_{\text{of}}) > -1$, then AB is well-defined and in $\Psi_{\text{phg}, S}^{-(\mathcal{E}_{\text{ff}} + \mathcal{F}_{\text{ff}})}(\mathbb{R}^n)$.

Theorem 5.10. *Let $\mathcal{E} = (\mathcal{E}_{\text{lf}}, \mathcal{E}_{\text{rf}}, \mathcal{E}_{\text{fb}}, \mathcal{E}_{\text{fo}})$ and $\mathcal{F} = (\mathcal{F}_{\text{of}}, \mathcal{F}_{\text{ff}})$ be index sets. Define also $\mathcal{E}' = (\mathcal{E}_{\text{lf}}, \mathcal{E}_{\text{rf}}, \mathcal{E}_{\text{fo}})$. Let $A \in \hat{\Psi}_{0, \text{tr}, S}^{-\infty, \mathcal{F}}(\mathbb{R}_1^{n+1}, \mathbb{R}^n)$, $B \in \hat{\Psi}_{0, \text{P}, S}^{-\infty, \mathcal{F}}(\mathbb{R}^n, \mathbb{R}_1^{n+1})$, $P_0 \in \hat{\Psi}_{0, S}^{-\infty, \mathcal{E}'}(\mathbb{R}_1^{n+1})$ and $P_{0b} \in \hat{\Psi}_{0b, S}^{-\infty, \mathcal{E}}(\mathbb{R}_1^{n+1})$.*

- (1) If $\Re(\mathcal{E}_{\text{rf}} + \mathcal{F}_{\text{of}}) > -1$, then P_0B is well-defined and in $\hat{\Psi}_{0, \text{P}, S}^{-\infty, (\mathcal{E}_{\text{lf}}, \mathcal{F}_{\text{ff}} + \mathcal{E}_{\text{fo}})}(\mathbb{R}^n, \mathbb{R}_1^{n+1})$.
- (2) If $\Re(\mathcal{E}_{\text{rf}} + \mathcal{F}_{\text{of}}) > -1$, then $P_{0b}B$ is well-defined and in $\hat{\Psi}_{0, \text{P}, S}^{-\infty, (\mathcal{E}_{\text{lf}} \sqcup (\mathcal{F}_{\text{of}} + \mathcal{E}_{\text{fb}}), \mathcal{F}_{\text{ff}} + \mathcal{E}_{\text{fo}})}(\mathbb{R}^n, \mathbb{R}_1^{n+1})$.
- (3) If $\Re(\mathcal{F}_{\text{of}} + \mathcal{E}_{\text{lf}}) > -1$, then AP_0 is well-defined and in $\hat{\Psi}_{0, \text{tr}, S}^{-\infty, (\mathcal{E}_{\text{rf}}, \mathcal{F}_{\text{ff}} + \mathcal{E}_{\text{fo}})}(\mathbb{R}_1^{n+1}, \mathbb{R}^n)$.
- (4) If $\Re(\mathcal{F}_{\text{of}} + \mathcal{E}_{\text{lf}}) > -1$, then AP_{0b} is well-defined and in $\hat{\Psi}_{0, \text{tr}, S}^{-\infty, (\mathcal{E}_{\text{rf}} \sqcup (\mathcal{F}_{\text{of}} + \mathcal{E}_{\text{fb}}), \mathcal{F}_{\text{ff}} + \mathcal{E}_{\text{fo}})}(\mathbb{R}_1^{n+1}, \mathbb{R}^n)$.

Theorem 5.11. *Let $\mathcal{E} = (\mathcal{E}_{\text{lf}}, \mathcal{E}_{\text{rf}}, \mathcal{E}_{\text{fb}}, \mathcal{E}_{\text{fo}})$ and $\mathcal{F} = (\mathcal{F}_{\text{lf}}, \mathcal{F}_{\text{rf}}, \mathcal{F}_{\text{fb}}, \mathcal{F}_{\text{fo}})$ be index sets. Define also $\mathcal{E}' = (\mathcal{E}_{\text{lf}}, \mathcal{E}_{\text{rf}}, \mathcal{E}_{\text{fo}})$ and $\mathcal{F}' = (\mathcal{F}_{\text{lf}}, \mathcal{F}_{\text{rf}}, \mathcal{F}_{\text{fo}})$. Define $\mathcal{G} = (\mathcal{G}_{\text{lf}}, \mathcal{G}_{\text{rf}}, \mathcal{G}_{\text{fb}}, \mathcal{G}_{\text{fo}})$ and $\mathcal{G}' = (\mathcal{G}_{\text{lf}}, \mathcal{G}_{\text{rf}}, \mathcal{G}_{\text{fo}})$, with*

$$\begin{aligned} \mathcal{G}_{\text{lf}} &= \mathcal{E}_{\text{lf}} \sqcup (\mathcal{F}_{\text{lf}} + \mathcal{E}_{\text{fb}}) \\ \mathcal{G}_{\text{rf}} &= \mathcal{F}_{\text{rf}} \sqcup (\mathcal{E}_{\text{rf}} + \mathcal{F}_{\text{fb}}) \\ \mathcal{G}_{\text{fo}} &= \mathcal{E}_{\text{fo}} + \mathcal{F}_{\text{fo}} \\ \mathcal{G}_{\text{fb}} &= (\mathcal{E}_{\text{fb}} + \mathcal{F}_{\text{fb}}) \sqcup (\mathcal{E}_{\text{lf}} + \mathcal{F}_{\text{rf}} + 1). \end{aligned}$$

Let $P_0 \in \hat{\Psi}_{0, S}^{-\infty, \mathcal{E}'}(\mathbb{R}_1^{n+1})$, $P_{0b} \in \hat{\Psi}_{0b, S}^{-\infty, \mathcal{E}}(\mathbb{R}_1^{n+1})$, $Q_0 \in \hat{\Psi}_{0, S}^{-\infty, \mathcal{F}'}(\mathbb{R}_1^{n+1})$, $Q_{0b} \in \hat{\Psi}_{0b, S}^{-\infty, \mathcal{F}}(\mathbb{R}_1^{n+1})$. If $\Re(\mathcal{E}_{\text{rf}} + \mathcal{F}_{\text{lf}}) > -1$, then:

- (1) $P_{0b}Q_{0b}$ is well-defined and in $\hat{\Psi}_{0b,S}^{-\infty,\mathcal{G}}(\mathbb{R}_1^{n+1})$;
- (2) $P_{0b}Q_0$ is well-defined and in $\hat{\Psi}_{0,S}^{-\infty,(\mathcal{G}_{\text{lf}},\mathcal{F}_{\text{rf}},\mathcal{G}_{\text{ff}_0})}(\mathbb{R}_1^{n+1})$;
- (3) P_0Q_{0b} is well-defined and in $\hat{\Psi}_{0,S}^{-\infty,(\mathcal{E}_{\text{lf}},\mathcal{G}_{\text{rf}},\mathcal{G}_{\text{ff}_0})}(\mathbb{R}_1^{n+1})$;
- (4) P_0Q_0 is well-defined and in $\hat{\Psi}_{0,S}^{-\infty,(\mathcal{E}_{\text{lf}},\mathcal{F}_{\text{rf}},\mathcal{G}_{\text{ff}_0})}(\mathbb{R}_1^{n+1})$.

The basic strategy to prove all these results is the same as in the standard case. Analogously to the case of symbols in \mathbb{R}^n , for each operator type (Poisson, trace, interior) we can define a “full quantization map”: formally, these full quantization maps are defined as

$$\begin{aligned}\text{Op}^{\text{tr}}(a(y, \tilde{y}; \tilde{x}, \eta)) &= \left[\frac{1}{(2\pi)^n} \int e^{i(y-\tilde{y})\eta} a(y, \tilde{y}; \tilde{x}, \eta) d\eta \right] d\tilde{x}d\tilde{y} \\ \text{Op}^{\text{P}}(p(y, \tilde{y}; x, \eta)) &= \left[\frac{1}{(2\pi)^n} \int e^{i(y-\tilde{y})\eta} p(y, \tilde{y}; x, \eta) d\eta \right] d\tilde{y} \\ \text{Op}^{\text{int}}(p(y, \tilde{y}; x, \tilde{x}, \eta)) &= \left[\frac{1}{(2\pi)^n} \int e^{i(y-\tilde{y})\eta} p(y, \tilde{y}; x, \tilde{x}, \eta) d\eta \right] d\tilde{x}d\tilde{y}.\end{aligned}$$

One can prove, exactly as in the standard case, that the space of quantizations of full symbols (of a given type, and with given index sets) coincides with the space of quantizations of left-reduced or right-reduced symbols (with the same type and index sets). Now, given two operators Q_1, Q_2 in the classes above, we write $Q_1 = \text{Op}_L^\bullet(q_1)$ and $Q_2 = \text{Op}_R^\bullet(q_2)$ for appropriate left and right reduced symbols of the appropriate type. Then, if the composition Q_1Q_2 is well-defined, Q_1Q_2 is the quantization of the full symbol $q_1 * q_2$. Here $*$ is a bilinear continuous “contraction map”, which depends on the symbol types of q_1 and q_2 . For example, if $Q \in \Psi_{\text{phg},S}^{-\mathcal{G}}(\mathbb{R}^n)$ and $A \in \hat{\Psi}_{0,\text{tr},S}^{-\infty,\mathcal{F}}(\mathbb{R}^n)$, then $Q = \text{Op}_L(q(y; \eta))$, $A = \text{Op}_R^{\text{tr}}(a(\tilde{y}; \tilde{x}, \eta) d\tilde{x})$, and $q * a$ is simply the product $q(y; \eta) a(\tilde{y}; \tilde{x}, \eta)$. If instead $A \in \hat{\Psi}_{0,\text{tr},S}^{-\infty,\mathcal{F}}(\mathbb{R}^n)$ and $B \in \hat{\Psi}_{0,\text{P},S}^{-\infty,\mathcal{E}}(\mathbb{R}^n)$, then $A = \text{Op}_L^{\text{tr}}(a(y; \tilde{x}, \eta))$, $B = \text{Op}_R^{\text{P}}(b(\tilde{y}; x, \eta))$, and $a * b$ is the contraction map

$$c(y, \tilde{y}; \eta) = \int a(y; \tilde{x}, \eta) b(\tilde{y}; x, \eta) d\tilde{x}.$$

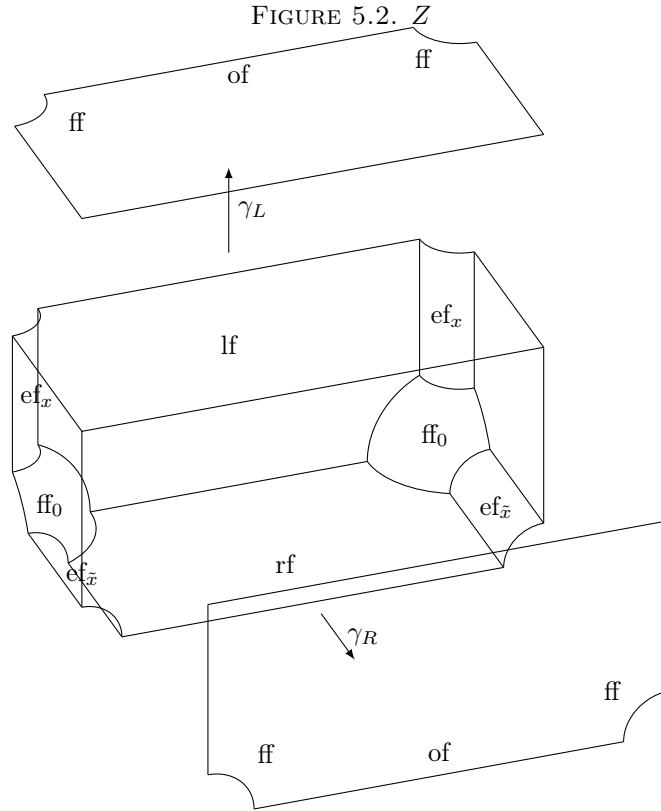
Of course in this case $a * b$ is not always well-defined, but the integrability condition for the integral above is precisely the integrability condition that ensures (by the mapping properties proved in §5.2) that the composition AB is well-defined. Finally, exactly as in the standard case, one can prove that if $Q_1 = \text{Op}_L^\bullet(q_1)$ and $Q_2 = \text{Op}_L^\bullet(q_2)$, and the composition $Q = Q_1Q_2$ is well-defined, then the left symbol q for which $Q = \text{Op}_L^\bullet(q)$ is determined up to residual symbols (of the appropriate type) as an asymptotic sum

$$q \sim \sum_{\alpha} \frac{1}{\alpha!} (\partial_{\eta}^{\alpha} q_1) * (D_{\tilde{y}}^{\alpha} q_2).$$

Summarizing, in each case we are reduced to prove the well-definedness of various bilinear “contraction maps” between appropriate symbol spaces. As in the standard case, we can further simplify the argument by considering symbols with “no coefficients”.

Proof. (Proof of Theorems 5.9 and 5.10) (**0-Poisson \circ boundary**) First of all, if $B \in \hat{\Psi}_{0,\text{P},S}^{-\infty,\mathcal{E}}(\mathbb{R}^n, \mathbb{R}_1^{n+1})$ and $Q \in \Psi_{\text{phg},S}^{-\mathcal{G}}(\mathbb{R}^n)$, then we know that Q induces a continuous linear map $Q : \mathcal{S}(\mathbb{R}^n) \rightarrow \mathcal{S}(\mathbb{R}^n)$, and by the proof of Theorem 5.1 B induces a continuous linear map $\mathcal{S}(\mathbb{R}^n) \rightarrow \mathcal{A}_{\text{phg}}^{(\mathcal{E}_{\text{of}}, \infty, \infty)}(\mathbb{R}_1^{-1} \times \mathbb{R}^n)$. Therefore, the composition BQ is well-defined. Moreover, if $B = \text{Op}_L^{\text{P}}(b)$ and $Q = \text{Op}_R(q)$, then for every $u \in \mathcal{S}(\mathbb{R}^n)$ we have

$$\begin{aligned}(BQu)(x, y) &= \frac{1}{(2\pi)^n} \int e^{iy\eta} b(y; x, \eta) \widehat{Q}u(\eta) d\eta \\ &= \frac{1}{(2\pi)^n} \int e^{i(y-\tilde{y})\eta} b(y; x, \eta) q(\tilde{y}; \eta) u(\tilde{y}) d\tilde{y}d\eta.\end{aligned}$$



Therefore, we need to show that $b(y; x, \eta) q(\tilde{y}; \eta) \in S_{0P, S}^{-\infty, (\mathcal{E}_{of}, \mathcal{E}_{ff} + \mathcal{G})}(\mathbb{R}^{2n}, \mathbb{R}_1^{n+1})$. In order to do so, it suffices to prove that scalar multiplication in the interior determines a continuous bilinear map

$$(5.1) \quad \mathcal{A}_{\text{phg}}^{(\mathcal{E}_{of}, \mathcal{E}_{ff}, \infty, \infty)}(\hat{P}_0^2) \times \mathcal{A}_{\text{phg}}^{-\mathcal{G}}(\overline{\mathbb{R}}^n) \rightarrow \mathcal{A}_{\text{phg}}^{(\mathcal{E}_{of}, \mathcal{E}_{ff} + \mathcal{G}, \infty, \infty)}(\hat{P}_0^2)$$

$$(b(x, \eta), q(\eta)) \mapsto b(x, \eta) q(\eta).$$

The well-definedness and continuity of 5.1 is an easy application of the Pull-back Theorem. Indeed, the lifted projection $\beta_{P, R} : \hat{P}_0^2 \rightarrow \overline{\mathbb{R}}^n$ lifts $\langle \eta \rangle^{-1}$ to a product $r_{\mathbf{ff}} r_{\mathbf{if}_\eta}$, where $r_{\mathbf{ff}}$ and $r_{\mathbf{if}_\eta}$ are boundary defining functions for the faces \mathbf{ff} and \mathbf{if}_η of \hat{P}_0^2 . Therefore,

$$\beta_P^*(b(x, \eta) q(\eta)) = \beta_P^* b \cdot \beta_{P, R}^* q$$

$$\in \mathcal{A}_{\text{phg}}^{(\mathcal{E}_{of}, \mathcal{E}_{ff} + \mathcal{G}, \infty, \infty)}(\hat{P}_0^2)$$

as claimed.

(boundary \circ 0-trace) The claim follows from the composition rule we just proved by taking formal adjoints.

(0-Poisson \circ 0-trace) Arguing as above, it suffices to prove that pointwise multiplication in the interior determines a continuous bilinear map

$$\mathcal{A}_{\text{phg}}^{(\mathcal{E}_{of}, \mathcal{E}_{ff}, \infty, \infty)}(\hat{P}_0^2) \times \mathcal{A}_{\text{phg}}^{(\mathcal{F}_{of}, \mathcal{F}_{ff} - 1, \infty, \infty)}(\hat{T}_0^2) \rightarrow \mathcal{A}_{\text{phg}}^{(\mathcal{E}_{of}, \mathcal{F}_{of}, \mathcal{E}_{ff} + \mathcal{F}_{ff} - 1, \infty, \infty)}(\hat{M}_0^2)$$

$$(b(x, \eta), a(\tilde{y}, \eta)) \mapsto b(x, \eta) a(\tilde{y}, \eta).$$

This result is proved using an argument similar to the one used in the proof of Theorem 5.1. Define the space $Z = [\hat{M}_0^2 : \mathbf{if}_\eta \cap (\mathbf{lf} \cap \mathbf{rf})]$ and the b -fibrations $\gamma_L : Z \rightarrow \hat{P}_0^2$ and $\gamma_R : Z \rightarrow \hat{T}_0^2$. The space Z is the blow-down of the space Z_b used in the proof of Theorem 5.1. Accordingly, denote the faces of Z by \mathbf{lf} , \mathbf{rf} , \mathbf{ff}_0 , \mathbf{ef}_x , $\mathbf{ef}_{\bar{x}}$, \mathbf{if}_η , \mathbf{if}_x , $\mathbf{if}_{\bar{x}}$. The ‘‘extra faces’’ \mathbf{ef}_x , $\mathbf{ef}_{\bar{x}}$ are obtained from the blow-ups of the corners $\mathbf{if}_\eta \cap \mathbf{lf}$ and $\mathbf{if}_\eta \cap \mathbf{rf}$ respectively, while the other faces are lifted from \hat{M}_0^2 . The graphical representation of Z and γ_L, γ_R is given in Figure 5.2. Choose boundary defining

functions $\rho_{\mathbf{of}}, \rho_{\mathbf{ff}}, \rho_{\mathbf{if}_\eta}, \rho_{\mathbf{if}_x}$ for \hat{T}_0^2 , and $\tilde{\rho}_{\mathbf{of}}, \tilde{\rho}_{\mathbf{ff}}, \tilde{\rho}_{\mathbf{if}_\eta}, \tilde{\rho}_{\mathbf{if}_x}$ for \hat{T}_0^2 . Then we have

$$\begin{aligned} \gamma_L^* \rho_{\mathbf{of}} &= r_{\mathbf{if}} & \gamma_R^* \tilde{\rho}_{\mathbf{of}} &= r_{\mathbf{rf}} \\ \gamma_L^* \rho_{\mathbf{ff}} &= r_{\mathbf{ff}_0} r_{\mathbf{ef}_x} & \gamma_R^* \tilde{\rho}_{\mathbf{ff}} &= r_{\mathbf{ff}_0} r_{\mathbf{ef}_x} \\ \gamma_L^* \rho_{\mathbf{if}_\eta} &= r_{\mathbf{if}_\eta} r_{\mathbf{ef}_x} & \gamma_R^* \tilde{\rho}_{\mathbf{if}_\eta} &= r_{\mathbf{if}_\eta} r_{\mathbf{ef}_x} \\ \gamma_L^* \rho_{\mathbf{if}_x} &= r_{\mathbf{if}_x} & \gamma_R^* \tilde{\rho}_{\mathbf{if}_x} &= r_{\mathbf{if}_x} \end{aligned}$$

where $r_{\mathbf{if}}, r_{\mathbf{rf}}, r_{\mathbf{ff}_0}, r_{\mathbf{ef}_x}, r_{\mathbf{ef}_x}, r_{\mathbf{if}_\eta}, r_{\mathbf{if}_x}, r_{\mathbf{if}_x}$ are boundary defining functions for Z . Consequently, the index sets of $\gamma_L^* b$ are $(\mathcal{E}_{\mathbf{of}}, 0, \mathcal{E}_{\mathbf{ff}}, \mathcal{E}_{\mathbf{ff}}, \infty, \infty, \infty, \infty)$ and the index sets of $\gamma_R^* a$ are $(0, \mathcal{F}_{\mathbf{of}}, \mathcal{F}_{\mathbf{ff}} - 1, \infty, \mathcal{F}_{\mathbf{ff}} - 1, \infty, \infty, \infty)$. Therefore, the index sets of the product are $(\mathcal{E}_{\mathbf{of}}, \mathcal{F}_{\mathbf{of}}, \mathcal{E}_{\mathbf{ff}} + \mathcal{F}_{\mathbf{ff}} - 1, \infty, \infty, \infty, \infty, \infty)$. In particular, observe that the index sets at both \mathbf{ef}_x and \mathbf{ef}_x is ∞ , and therefore $\gamma_L^* b \cdot \gamma_R^* a$ is polyhomogeneous on the blow-down \hat{M}_0^2 , with index sets $(\mathcal{E}_{\mathbf{of}}, \mathcal{F}_{\mathbf{of}}, \mathcal{E}_{\mathbf{ff}} + \mathcal{F}_{\mathbf{ff}} - 1, \infty, \infty, \infty, \infty, \infty)$. This concludes the proof.

(0-trace \circ 0-Poisson) If $A \in \hat{\Psi}_{0, \text{tr}, \mathcal{S}}^{-\infty, \mathcal{F}}(\mathbb{R}_1^{n+1}, \mathbb{R}^n)$ and $B \in \hat{\Psi}_{0, \text{P}, \mathcal{S}}^{-\infty, \mathcal{E}}(\mathbb{R}^n, \mathbb{R}_1^{n+1})$, then by the proof of Theorem 5.1 B defines a continuous linear map $B : \mathcal{S}(\mathbb{R}^n) \rightarrow \mathcal{A}_{\text{phg}}^{(\mathcal{E}_{\mathbf{of}}, \infty, \infty)}(\overline{\mathbb{R}}_1^1 \times \overline{\mathbb{R}}^n)$, and since $\Re(\mathcal{F}_{\mathbf{of}} + \mathcal{E}_{\mathbf{of}}) > -1$, A induces a continuous linear map $A : \mathcal{A}_{\text{phg}}^{(\mathcal{E}_{\mathbf{of}}, \infty, \infty)}(\overline{\mathbb{R}}_1^1 \times \overline{\mathbb{R}}^n) \rightarrow \mathcal{S}(\mathbb{R}^n)$. Therefore, the composition is well-defined; if $A = \text{Op}_L^{\text{tr}}(a(y; \tilde{x}, \eta) d\tilde{x})$ and $B = \text{Op}_R^{\text{P}}(b(\tilde{y}; \tilde{x}, \eta))$, then $AB = \text{Op}(c(y, \tilde{y}; \eta))$ where

$$c(y, \tilde{y}; \eta) = \int a(y; \tilde{x}, \eta) b(\tilde{y}; \tilde{x}, \eta) d\tilde{x}.$$

Arguing as above, it suffices to prove that integration by \tilde{x} defines a continuous linear map

$$\begin{aligned} \mathcal{A}_{\text{phg}}^{(\mathcal{E}_{\mathbf{of}}, \mathcal{E}_{\mathbf{ff}} - 1, \infty, \infty)}(\hat{T}_0^2) \times \mathcal{A}_{\text{phg}}^{(\mathcal{F}_{\mathbf{of}}, \mathcal{F}_{\mathbf{ff}}, \infty, \infty)}(\hat{T}_0^2) &\rightarrow \mathcal{A}_{\text{phg}}^{\mathcal{E}_{\mathbf{ff}} + \mathcal{F}_{\mathbf{ff}}}(\overline{\mathbb{R}}^n) \\ (a(\tilde{x}, \eta), b(\tilde{x}, \eta)) &\mapsto \int a(\tilde{x}, \eta) b(\tilde{x}, \eta) d\tilde{x}. \end{aligned}$$

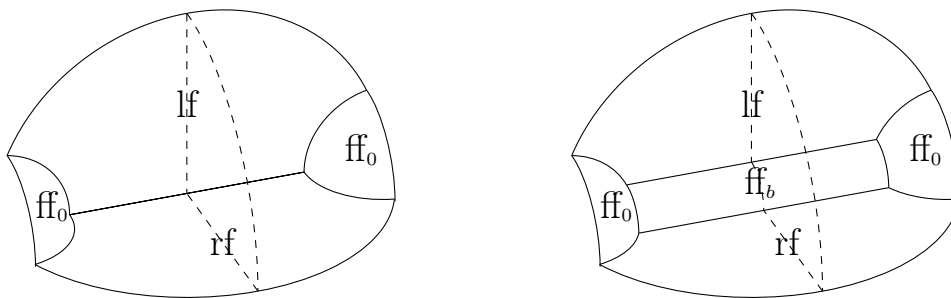
The multiplication $a(\tilde{x}, \eta) b(\tilde{x}, \eta)$ is clearly in $\mathcal{A}_{\text{phg}}^{(\mathcal{E}_{\mathbf{of}} + \mathcal{F}_{\mathbf{of}}, \mathcal{E}_{\mathbf{ff}} + \mathcal{F}_{\mathbf{ff}} - 1, \infty, \infty)}(\hat{T}_0^2)$. The integral on the right is simply the push-forward $(\beta_{\text{tr}, R})_*(a(\tilde{x}, \eta) b(\tilde{x}, \eta) d\tilde{x})$ via the b -fibration $\beta_{\text{tr}, R} : \hat{T}_0^2 \rightarrow \overline{\mathbb{R}}^n$ obtained by lifting the canonical projection $(\tilde{x}, \eta) \mapsto \eta$. We know that the pull-back of $\langle \eta \rangle^{-1}$ is of the form $r_{\mathbf{if}_\eta} r_{\mathbf{ff}}$, where $r_{\mathbf{if}_\eta}, r_{\mathbf{ff}}$ are boundary defining functions for the hyperfaces $\mathbf{if}_\eta, \mathbf{ff}$ of \hat{T}_0^2 . Moreover, calling $\beta_{\text{tr}, L} : \hat{T}_0^2 \rightarrow \overline{\mathbb{R}}_1^1$ the other lifted projection, we have

$$\begin{aligned} \beta_{\text{tr}, L}^* \mathcal{D}_{\overline{\mathbb{R}}_1^1}^1 &= \beta_{\text{tr}}^* \mathcal{D}_{\hat{T}_0^2}^1 \otimes \beta_{\text{tr}, R}^* \mathcal{D}_{\overline{\mathbb{R}}^n}^{-1} \\ &= r_{\mathbf{ff}} \mathcal{D}_{\hat{T}_0^2}^1 \otimes \beta_{\text{tr}, R}^* \mathcal{D}_{\overline{\mathbb{R}}^n}^{-1} \\ &= r_{\mathbf{of}} r_{\mathbf{ff}}^2 \cdot {}^b \mathcal{D}_{\hat{T}_0^2}^1 \otimes \beta_{\text{tr}, R}^* \mathcal{D}_{\overline{\mathbb{R}}^n}^{-1} \end{aligned}$$

where $r_{\mathbf{of}}$ is a boundary defining function for \mathbf{of} . Therefore, $a(\tilde{x}, \eta) b(\tilde{x}, \eta)$ lifts to a polyhomogeneous section of the bundle ${}^b \mathcal{D}_{\hat{T}_0^2}^1 \otimes \beta_{\text{tr}, R}^* \mathcal{D}_{\overline{\mathbb{R}}^n}^{-1}$ over \hat{T}_0^2 , with index sets $\mathcal{E}_{\mathbf{of}} + \mathcal{F}_{\mathbf{of}} + 1, \mathcal{E}_{\mathbf{ff}} + \mathcal{F}_{\mathbf{ff}} + 1, \infty, \infty$. By the Push-forward Theorem, since $\Re(\mathcal{E}_{\mathbf{of}} + \mathcal{F}_{\mathbf{of}}) > -1$, $(\beta_{\text{tr}, R}^*)_*(a(\tilde{x}, \eta) b(\tilde{x}, \eta) d\tilde{x})$ is well-defined and a polyhomogeneous section of ${}^b \mathcal{D}_{\overline{\mathbb{R}}^n}^1 \otimes \mathcal{D}_{\overline{\mathbb{R}}^n}^{-1}$ with index set $\mathcal{E}_{\mathbf{ff}} + \mathcal{F}_{\mathbf{ff}} + 1$. Finally, we have ${}^b \mathcal{D}_{\overline{\mathbb{R}}^n}^1 = \langle \eta \rangle \mathcal{D}_{\overline{\mathbb{R}}^n}^1$, so in fact $(\beta_{\text{tr}, R}^*)_*(a(\tilde{x}, \eta) b(\tilde{x}, \eta) d\tilde{x})$ is just a polyhomogeneous function with index set $\mathcal{E}_{\mathbf{ff}} + \mathcal{F}_{\mathbf{ff}}$, as claimed.

(interior \circ 0-Poisson) For the $0b$ -interior case, the proof is essentially equal to the proof of point 2 of Theorem 5.1. In the 0 -interior case, it suffices to use the simpler blow-up Z used to discuss the 0 -Poisson \circ 0 -trace composition rule. We omit the details, which can be easily filled by decorating Figures 5.2 and 5.1 with the appropriate index sets.

(0-trace \circ interior) These results follow immediately from the previous cases by taking adjoints. \square

FIGURE 5.3. \hat{D}_0^2 and \hat{D}_{0b}^2


Proof. (Proof of Theorem 5.10) Let us first prove the 0-interior \circ 0-interior case. As in the previous proofs, it is sufficient to prove that if

$$\begin{aligned} a(x, \tilde{x}, \eta) &\in \mathcal{A}_{\text{phg}}^{(\mathcal{E}_{\text{lf}}, \mathcal{E}_{\text{rf}}, \mathcal{E}_{\text{ff}_0} - 1, \infty, \infty, \infty)}(\hat{M}_0^2) \\ b(x, \tilde{x}, \eta) &\in \mathcal{A}_{\text{phg}}^{(\mathcal{F}_{\text{lf}}, \mathcal{F}_{\text{rf}}, \mathcal{F}_{\text{ff}_0} - 1, \infty, \infty, \infty)}(\hat{M}_0^2) \end{aligned}$$

and $\Re(\mathcal{E}_{\text{rf}} + \mathcal{F}_{\text{lf}}) > -1$, then the distribution

$$c(x, \tilde{x}, \eta) = \int a(x, x', \eta) b(x', \tilde{x}, \eta) dx'$$

is well-defined and in $\mathcal{A}_{\text{phg}}^{(\mathcal{E}_{\text{lf}}, \mathcal{F}_{\text{rf}}, \mathcal{E}_{\text{ff}_0} + \mathcal{F}_{\text{ff}_0} - 1, \infty, \infty, \infty)}(\hat{M}_0^2)$.

To prove this, it is convenient to introduce an alternative compactification of the locus $\hat{M}_0^2 \setminus (\mathbf{if}_\eta \cup \mathbf{if}_x \cup \mathbf{if}_{\tilde{x}})$. Consider the functions

$$\tau = x \langle \eta \rangle, \tilde{\tau} = \tilde{x} \langle \eta \rangle.$$

These functions are polyhomogeneous on \hat{M}_0^2 . More precisely, recalling that the order of the faces of \hat{M}_0^2 is \mathbf{lf} , \mathbf{rf} , \mathbf{ff}_0 , \mathbf{if}_η , \mathbf{if}_x , $\mathbf{if}_{\tilde{x}}$, the index sets are:

- (1) $(1, 0, 1, 0, -1, 0)$ for x ;
- (2) $(0, 1, 1, 0, 0, -1)$ for \tilde{x} ;
- (3) $(0, 0, -1, -1, 0, 0)$ for $\langle \eta \rangle$;

therefore, the index sets of τ are $(1, 0, 0, -1, -1, 0)$, and the index sets of $\tilde{\tau}$ are $(0, 1, 0, -1, -1, 0)$. In particular, on $\hat{M}_0^2 \setminus (\mathbf{if}_\eta \cup \mathbf{if}_x \cup \mathbf{if}_{\tilde{x}})$, τ is a boundary defining function for \mathbf{lf} and $\tilde{\tau}$ is a boundary defining function for \mathbf{rf} , while $\langle \eta \rangle^{-1}$ is a boundary defining function for \mathbf{ff}_0 . Now, consider the diffeomorphism

$$\begin{aligned} \mathbb{R}_2^2 \times \mathbb{R}^n &\rightarrow \hat{M}_0^2 \setminus (\mathbf{if}_\eta \cup \mathbf{if}_x \cup \mathbf{if}_{\tilde{x}}) \\ (\tau, \tilde{\tau}, \eta) &\mapsto \left(\tau \langle \eta \rangle^{-1}, \tilde{\tau} \langle \eta \rangle^{-1}, \eta \right). \end{aligned}$$

This diffeomorphism lifts to a diffeomorphism

$$\varphi : \mathbb{R}_2^2 \times \overline{\mathbb{R}}^n \rightarrow \hat{M}_0^2 \setminus (\mathbf{if}_\eta \cup \mathbf{if}_x \cup \mathbf{if}_{\tilde{x}}),$$

so that the coordinates $\tau, \tilde{\tau}$ restricted to the locus $\langle \eta \rangle = \infty$ parametrize $\mathbf{ff}_0 \setminus \mathbf{if}_\eta$ and identify it with \mathbb{R}_2^2 . We define \hat{D}_0^2 as the compactification $\overline{\mathbb{R}}_2^2 \times \overline{\mathbb{R}}^n$. This space is represented in Figure 5.3, and it has four hyperfaces \mathbf{lf} , \mathbf{rf} , \mathbf{ff}_0 and \mathbf{if} : the infinity face \mathbf{if} is the locus $\tau^2 + \tilde{\tau}^2 = +\infty$ produced by radially compactifying the \mathbb{R}_2^2 factor. Clearly, the manifolds with corners \hat{D}_0^2 and \hat{M}_0^2 are not diffeomorphic, and in fact the map $\varphi : \hat{D}_0^2 \setminus \mathbf{if} \rightarrow \hat{M}_0^2 \setminus (\mathbf{if}_\eta \cup \mathbf{if}_x \cup \mathbf{if}_{\tilde{x}})$ defined above does not even extend to a b -map $\hat{D}_0^2 \rightarrow \hat{M}_0^2$. Nevertheless, φ does lift canonically to a diffeomorphism from the iterated blow-up $[\hat{D}_0^2 : \mathbf{ff}_0 \cap \mathbf{if} : (\mathbf{if} \cap \mathbf{lf}) \cup (\mathbf{if} \cap \mathbf{rf})]$ of \hat{D}_0^2 to the simple blow-up $[\hat{M}_0^2 : \mathbf{if}_x \cup \mathbf{if}_{\tilde{x}}]$ of \hat{M}_0^2 . We need this only to observe that φ determines (by pull-back) an identification between the space of extendible distributions on \hat{M}_0^2 and the space of extendible distributions on \hat{D}_0^2 . In particular, an extendible distribution $a(x, \tilde{x}, \eta)$ on \hat{M}_0^2 vanishes to infinite order at $\mathbf{if}_\eta \cup \mathbf{if}_x \cup \mathbf{if}_{\tilde{x}}$ if

and only if its pull-back $(\varphi^* a)(\tau, \tilde{\tau}, \eta) = a(\tau \langle \eta \rangle^{-1}, \tilde{\tau} \langle \eta \rangle^{-1}, \eta)$, seen as an extendible distribution on \hat{D}_0^2 , vanishes to infinite order at **if**. Moreover, from the index sets computations above, a distribution $a(x, \tilde{x}, \eta)$ on \hat{M}_0^2 is in $\mathcal{A}_{\text{phg}}^{(\mathcal{E}_{\text{if}}, \mathcal{E}_{\text{rf}}, \mathcal{E}_{\text{ff}_0} - 1, \infty, \infty, \infty)}(\hat{M}_0^2)$ if and only if its pull-back $\varphi^* a$ is in $\mathcal{A}_{\text{phg}}^{(\mathcal{E}_{\text{if}}, \mathcal{E}_{\text{rf}}, \mathcal{E}_{\text{ff}_0} - 1, \infty)}(\hat{D}_0^2)$.

Why does this help us? Consider again our symbols

$$\begin{aligned} a(x, \tilde{x}, \eta) &\in \mathcal{A}_{\text{phg}}^{(\mathcal{E}_{\text{if}}, \mathcal{E}_{\text{rf}}, \mathcal{E}_{\text{ff}_0} - 1, \infty, \infty, \infty)}(\hat{M}_0^2) \\ b(x, \tilde{x}, \eta) &\in \mathcal{A}_{\text{phg}}^{(\mathcal{F}_{\text{if}}, \mathcal{F}_{\text{rf}}, \mathcal{F}_{\text{ff}_0} - 1, \infty, \infty, \infty)}(\hat{M}_0^2) \end{aligned}$$

and assume that $\Re(\mathcal{E}_{\text{rf}} + \mathcal{F}_{\text{if}}) > -1$. We need to prove that the distribution

$$c(x, \tilde{x}, \eta) = \int a(x, x', \eta) b(x', \tilde{x}, \eta) dx'$$

is well-defined and in $\mathcal{A}_{\text{phg}}^{(\mathcal{E}_{\text{if}}, \mathcal{F}_{\text{rf}}, \mathcal{E}_{\text{ff}_0} + \mathcal{F}_{\text{ff}_0} - 1, \infty, \infty, \infty)}(\hat{M}_0^2)$. In order to do that, observe that the distribution $c'(\tau, \tilde{\tau}, \eta)$ given by

$$c'(\tau, \tilde{\tau}, \eta) = \int (\varphi^* a)(\tau, \tau', \eta) (\varphi^* b)(\tau', \tilde{\tau}, \eta) d\tau'$$

is well-defined and in $\mathcal{A}_{\text{phg}}^{(\mathcal{E}_{\text{if}}, \mathcal{F}_{\text{rf}}, \mathcal{E}_{\text{ff}_0} + \mathcal{F}_{\text{ff}_0} - 2, \infty)}(\hat{D}_0^2)$. Indeed, since $\hat{D}_0^2 = \overline{\mathbb{R}}_2^2 \times \overline{\mathbb{R}}^n$, we have

$$\begin{aligned} (\varphi^* a)(\tau, \tau', \eta) &\in \mathcal{A}_{\text{phg}}^{(\mathcal{E}_{\text{if}}, \mathcal{E}_{\text{rf}}, \infty)}(\overline{\mathbb{R}}_2^2) \hat{\otimes} \mathcal{A}_{\text{phg}}^{\mathcal{E}_{\text{ff}_0} - 1}(\overline{\mathbb{R}}^n) \\ (\varphi^* b)(\tau, \tau', \eta) &\in \mathcal{A}_{\text{phg}}^{(\mathcal{F}_{\text{if}}, \mathcal{F}_{\text{rf}}, \infty)}(\overline{\mathbb{R}}_2^2) \hat{\otimes} \mathcal{A}_{\text{phg}}^{\mathcal{F}_{\text{ff}_0} - 1}(\overline{\mathbb{R}}^n). \end{aligned}$$

Now it suffices to observe that if $f(x, \tilde{x}) \in \mathcal{A}_{\text{phg}}^{(\mathcal{E}_{\text{if}}, \mathcal{E}_{\text{rf}}, \infty)}(\overline{\mathbb{R}}_2^2)$ and $g(x, \tilde{x}) \in \mathcal{A}_{\text{phg}}^{(\mathcal{F}_{\text{if}}, \mathcal{F}_{\text{rf}}, \infty)}(\overline{\mathbb{R}}_2^2)$, then the condition $\Re(\mathcal{E}_{\text{rf}} + \mathcal{F}_{\text{if}}) > -1$ ensures that the integral $h(x, \tilde{x}) = \int f(x, x') g(x', \tilde{x}) dx'$ is well-defined and in $\mathcal{A}_{\text{phg}}^{(\mathcal{E}_{\text{if}}, \mathcal{F}_{\text{rf}}, \infty)}(\overline{\mathbb{R}}_2^2)$. Using the universal property of $\hat{\otimes}$, we conclude that $c'(\tau, \tilde{\tau}, \eta)$ is well-defined and in $\mathcal{A}_{\text{phg}}^{(\mathcal{E}_{\text{if}}, \mathcal{F}_{\text{rf}}, \infty)}(\overline{\mathbb{R}}_2^2) \hat{\otimes} \mathcal{A}_{\text{phg}}^{\mathcal{E}_{\text{ff}_0} + \mathcal{F}_{\text{ff}_0} - 2}(\overline{\mathbb{R}}^n)$. Now, observe that

$$\begin{aligned} c(x, \tilde{x}, \eta) &:= c'(x \langle \eta \rangle, \tilde{x} \langle \eta \rangle, \eta \langle \eta \rangle^{-1}) \\ &= \int (\varphi^* a)(x \langle \eta \rangle, \tau', \eta) (\varphi^* b)(\tau', \tilde{x} \langle \eta \rangle, \eta \langle \eta \rangle^{-1}) d\tau' \\ &= \int (\varphi^* a)(x \langle \eta \rangle, x' \langle \eta \rangle, \eta) (\varphi^* b)(x' \langle \eta \rangle, \tilde{x} \langle \eta \rangle, \eta) dx' \\ &= \int a(x, x', \eta) b(x', \tilde{x}, \eta) dx'. \end{aligned}$$

Since $c'(\tau, \tilde{\tau}, \eta)$ is in $\mathcal{A}_{\text{phg}}^{(\mathcal{E}_{\text{if}}, \mathcal{F}_{\text{rf}}, \mathcal{E}_{\text{ff}_0} + \mathcal{F}_{\text{ff}_0} - 2, \infty)}(\hat{D}_0^2)$ and $\langle \eta \rangle^{-1}$ vanishes simply on **ff**₀, $c'(\tau, \tilde{\tau}, \eta) \langle \eta \rangle^{-1}$ is in $\mathcal{A}_{\text{phg}}^{(\mathcal{E}_{\text{if}}, \mathcal{F}_{\text{rf}}, \mathcal{E}_{\text{ff}_0} + \mathcal{F}_{\text{ff}_0} - 1, \infty)}(\hat{D}_0^2)$. Moreover, by construction, $c'(\tau, \tilde{\tau}, \eta) \langle \eta \rangle^{-1} = (\varphi^* c)(\tau \langle \eta \rangle^{-1}, \tilde{\tau} \langle \eta \rangle^{-1}, \eta)$. This ensures that $c(x, \tilde{x}, \eta)$ is in $\mathcal{A}_{\text{phg}}^{(\mathcal{E}_{\text{if}}, \mathcal{F}_{\text{rf}}, \mathcal{E}_{\text{ff}_0} + \mathcal{F}_{\text{ff}_0} - 1, \infty, \infty, \infty)}(\hat{M}_0^2)$ as claimed.

Now, consider the $0b$ -interior $\circ 0b$ -interior case. The proof is essentially unchanged, except that we need to blow \hat{D}_0^2 up at the corner **lf** \cap **rf**. This blow-up is denoted by \hat{D}_{0b}^2 , it has five boundary hyperfaces **lf**, **rf**, **ff**_b, **ff**₀, **if** with **ff**_b created from the blow-up, and is represented graphically in Figure 5.3. Note that $\hat{D}_{0b}^2 \setminus \mathbf{if} = [\mathbb{R}_2^2 : 0] \times \overline{\mathbb{R}}^n$. Moreover, the diffeomorphism $\varphi : \mathbb{R}_2^2 \times \overline{\mathbb{R}}^n \rightarrow \hat{M}_0^2 \setminus (\mathbf{if}_\eta \cup \mathbf{if}_x \cup \mathbf{if}_{\tilde{x}})$ defined above lifts to a diffeomorphism

$$[\mathbb{R}_2^2 : 0] \times \overline{\mathbb{R}}^n \rightarrow \hat{M}_{0b}^2 \setminus (\mathbf{if}_\eta \cup \mathbf{if}_x \cup \mathbf{if}_{\tilde{x}}),$$

and an extendible distribution $a(x, \tilde{x}, \eta)$ is in $\mathcal{A}_{\text{phg}}^{(\mathcal{E}_{\text{if}}, \mathcal{E}_{\text{rf}}, \mathcal{E}_{\text{fb}}^{-1}, \mathcal{E}_{\text{fo}}^{-1}, \infty, \infty, \infty)}(\hat{M}_{0b}^2)$ if and only if its pull-back $\varphi^* a(\tau, \tilde{\tau}, \eta) = a(\tau \langle \eta \rangle^{-1}, \tilde{\tau} \langle \eta \rangle^{-1}, \eta)$ lifts from \hat{D}_0^2 to an element of $\mathcal{A}_{\text{phg}}^{(\mathcal{E}_{\text{if}}, \mathcal{E}_{\text{rf}}, \mathcal{E}_{\text{fb}}^{-1}, \mathcal{E}_{\text{fo}}^{-1}, \infty)}(\hat{D}_{0b}^2)$. Now, the condition $\Re(\mathcal{E}_{\text{rf}} + \mathcal{F}_{\text{if}}) > -1$ guarantees that the distribution

$$c'(\tau, \tilde{\tau}, \eta) := \int (\varphi^* a)(\tau, \tau', \eta) (\varphi^* b)(\tau', \tilde{\tau}, \eta) d\tau'$$

is well-defined and in $\mathcal{A}_{\text{phg}}^{(\mathcal{G}_{\text{if}}, \mathcal{G}_{\text{rf}}, \mathcal{G}_{\text{fb}}^{-1}, \mathcal{E}_{\text{fo}} + \mathcal{F}_{\text{fo}}^{-2}, \infty)}(\hat{D}_0^2)$, where

$$\begin{aligned} \mathcal{G}_{\text{if}} &= \mathcal{E}_{\text{if}} \overline{\cup} (\mathcal{F}_{\text{if}} + \mathcal{E}_{\text{fb}}) \\ \mathcal{G}_{\text{rf}} &= \mathcal{F}_{\text{rf}} \overline{\cup} (\mathcal{E}_{\text{rf}} + \mathcal{F}_{\text{fb}}) \\ \mathcal{G}_{\text{fb}} &= (\mathcal{E}_{\text{fb}} + \mathcal{F}_{\text{fb}}) \overline{\cup} (\mathcal{E}_{\text{if}} + \mathcal{F}_{\text{rf}} + 1). \end{aligned}$$

To see this, we use again the fact that $\hat{D}_{0b}^2 = [\overline{\mathbb{R}}_2^2 : 0] \times \overline{\mathbb{R}}^n$ so

$$\mathcal{A}_{\text{phg}}^{(\mathcal{E}_{\text{if}}, \mathcal{E}_{\text{rf}}, \mathcal{E}_{\text{fb}}^{-1}, \mathcal{E}_{\text{fo}}^{-1}, \infty)}(\hat{D}_{0b}^2) = \mathcal{A}_{\text{phg}}^{(\mathcal{E}_{\text{if}}, \mathcal{E}_{\text{rf}}, \mathcal{E}_{\text{fb}}^{-1}, \infty)}([\overline{\mathbb{R}}_2^2 : 0]) \hat{\otimes} \mathcal{A}_{\text{phg}}^{\mathcal{E}_{\text{fo}}^{-1}}(\overline{\mathbb{R}}^n).$$

Then the proof then is essentially a consequence of the composition theorem for the residual large b -calculus on \mathbb{R}_1^1 , i.e. the class $\Psi_{b, \mathcal{S}}^{-\infty, (\mathcal{E}_{\text{if}}, \mathcal{E}_{\text{rf}}, \mathcal{E}_{\text{fb}})}(\mathbb{R}_1^1)$ of operators on functions over $\overline{\mathbb{R}}_1^1$ with Schwartz kernels $f(x, \tilde{x}) d\tilde{x}$, where $f(x, \tilde{x})$ lifts from $\overline{\mathbb{R}}_2^2$ to an element of $\mathcal{A}_{\text{phg}}^{(\mathcal{E}_{\text{if}}, \mathcal{E}_{\text{rf}}, \mathcal{E}_{\text{fb}}^{-1}, \infty)}([\overline{\mathbb{R}}_2^2 : 0])$. This composition theorem is proved many times in the literature, and we refer for example to [Maz91, Hin23a]. Finally, defining again $c(x, \tilde{x}, \eta) := c'(x \langle \eta \rangle, \tilde{x} \langle \eta \rangle, \eta) \langle \eta \rangle^{-1}$, we conclude that c is indeed in $\mathcal{A}_{\text{phg}}^{(\mathcal{G}_{\text{if}}, \mathcal{G}_{\text{rf}}, \mathcal{G}_{\text{fb}}^{-1}, \mathcal{E}_{\text{fo}} + \mathcal{F}_{\text{fo}}^{-1}, \infty, \infty, \infty)}(\hat{M}_{0b}^2)$ as claimed. The statements about compositions between $0b$ -interior and 0 -interior operators are proved similarly, except that one is reduced to a composition theorem between elements of the large b -calculus on \mathbb{R}_1^1 and very residual operators on \mathbb{R}_1^1 . This composition theorem is again well-known from the literature, and is anyway an easy application of the pull-back / push-forward technique. \square

5.5.2. Local composition theorems for twisted operators. We now prove the local versions of the composition results involving twisted symbolic 0-trace, 0-Poisson and boundary operators. Fix smooth families $\mathfrak{s} : \overline{\mathbb{R}}^n \rightarrow \mathfrak{gl}(M, \mathbb{C})$, $\mathfrak{t} : \overline{\mathbb{R}}^n \rightarrow \mathfrak{gl}(N, \mathbb{C})$, $\mathfrak{u} : \overline{\mathbb{R}}^n \rightarrow \mathfrak{gl}(P, \mathbb{C})$ of matrices, each with a constant single eigenvalue.

Theorem 5.12. *Let $\mathcal{E} = (\mathcal{E}_{\text{of}}, \mathcal{E}_{\text{ff}})$, $\mathcal{F} = (\mathcal{F}_{\text{of}}, \mathcal{F}_{\text{ff}})$ and \mathcal{G} be index sets. Let $A \in \hat{\Psi}_{0 \text{tr}, \mathcal{S}}^{-\infty, \mathcal{F}, \mathfrak{s}}(\mathbb{R}_1^{n+1}; \mathbb{R}^n, \mathbb{C}^M)$, $B \in \hat{\Psi}_{0 \text{P}, \mathcal{S}}^{-\infty, \mathcal{E}, \mathfrak{t}}(\mathbb{R}^n, \mathbb{C}^N; \mathbb{R}_1^{n+1})$, $Q \in \Psi_{\text{phg}, \mathcal{S}}^{-\mathcal{G}, (\mathfrak{s}, \mathfrak{t})}(\mathbb{R}^n; \mathbb{C}^M, \mathbb{C}^N)$, and $Q' \in \Psi_{\text{phg}, \mathcal{S}}^{-\mathcal{H}, (\mathfrak{t}, \mathfrak{u})}(\mathbb{R}^n; \mathbb{C}^N, \mathbb{C}^P)$. Then:*

- (1) $Q'Q$ is well-defined and in $\Psi_{\text{phg}, \mathcal{S}}^{-(\mathcal{G}+\mathcal{H}), (\mathfrak{s}, \mathfrak{u})}(\mathbb{R}^n; \mathbb{C}^M, \mathbb{C}^P)$;
- (2) BQ is well-defined and in $\hat{\Psi}_{0 \text{P}, \mathcal{S}}^{-\infty, (\mathcal{E}_{\text{of}}, \mathcal{H}), \mathfrak{t}}(\mathbb{R}^n, \mathbb{C}^N; \mathbb{R}_1^{n+1})$, where $[\mathcal{H}] = [\mathcal{E}_{\text{ff}} + \mathcal{G}]$;
- (3) QA is well-defined and in $\hat{\Psi}_{0 \text{tr}, \mathcal{S}}^{-\infty, (\mathcal{F}_{\text{of}}, \mathcal{H}), \mathfrak{s}}(\mathbb{R}_1^{n+1}; \mathbb{R}^n, \mathbb{C}^M)$, where $[\mathcal{H}] = [\mathcal{F}_{\text{ff}} + \mathcal{G}]$;
- (4) assume that $N = M$ and $\mathfrak{s} = \mathfrak{t}$; then BA is well-defined and in $\hat{\Psi}_{0, \mathcal{S}}^{-\infty, (\mathcal{E}_{\text{of}}, \mathcal{F}_{\text{of}}, \mathcal{H})}(\mathbb{R}_1^{n+1})$, where $[\mathcal{H}] = [\mathcal{E}_{\text{ff}} + \mathcal{F}_{\text{ff}}]$;
- (5) if $\Re(\mathcal{F}_{\text{of}} + \mathcal{E}_{\text{of}}) > -1$, then AB is well-defined and in $\Psi_{\text{phg}, \mathcal{S}}^{-\mathcal{H}, (\mathfrak{t}, \mathfrak{s})}(\mathbb{R}^n; \mathbb{C}^N, \mathbb{C}^M)$, where $[\mathcal{H}] = [\mathcal{E}_{\text{ff}} + \mathcal{F}_{\text{ff}}]$.

Theorem 5.13. *Let $\mathcal{E} = (\mathcal{E}_{\text{if}}, \mathcal{E}_{\text{rf}}, \mathcal{E}_{\text{fb}}, \mathcal{E}_{\text{fo}})$ and $\mathcal{F} = (\mathcal{F}_{\text{of}}, \mathcal{F}_{\text{ff}})$ be index sets. Define also $\mathcal{E}' = (\mathcal{E}_{\text{if}}, \mathcal{E}_{\text{rf}}, \mathcal{E}_{\text{fo}})$. Let $A \in \hat{\Psi}_{0 \text{tr}, \mathcal{S}}^{-\infty, \mathcal{F}, \mathfrak{s}}(\mathbb{R}_1^{n+1}; \mathbb{R}^n, \mathbb{C}^M)$, $B \in \hat{\Psi}_{0 \text{P}, \mathcal{S}}^{-\infty, \mathcal{E}, \mathfrak{s}}(\mathbb{R}^n, \mathbb{C}^M; \mathbb{R}_1^{n+1})$, $P_0 \in \hat{\Psi}_{0, \mathcal{S}}^{-\infty, \mathcal{E}'}(\mathbb{R}_1^{n+1})$ and $P_{0b} \in \hat{\Psi}_{0b, \mathcal{S}}^{-\infty, \mathcal{E}}(\mathbb{R}_1^{n+1})$. If $\Re(\mathcal{E}_{\text{rf}} + \mathcal{F}_{\text{of}}) > -1$, then:*

- (1) $P_0 B$ is well-defined and in $\hat{\Psi}_{0 \text{P}, \mathcal{S}}^{-\infty, (\mathcal{E}_{\text{if}}, \mathcal{H}), \mathfrak{s}}(\mathbb{R}^n, \mathbb{C}^M; \mathbb{R}_1^{n+1})$, where $[\mathcal{H}] = [\mathcal{F}_{\text{ff}} + \mathcal{E}_{\text{fo}}]$;
- (2) $P_{0b} B$ is well-defined and in $\hat{\Psi}_{0 \text{P}, \mathcal{S}}^{-\infty, (\mathcal{E}_{\text{if}} \overline{\cup} (\mathcal{F}_{\text{of}} + \mathcal{E}_{\text{fb}}), \mathcal{H}), \mathfrak{s}}(\mathbb{R}^n, \mathbb{C}^M; \mathbb{R}_1^{n+1})$, where $[\mathcal{H}] = [\mathcal{F}_{\text{ff}} + \mathcal{E}_{\text{fo}}]$;
- (3) $A P_0$ is well-defined and in $\hat{\Psi}_{0 \text{tr}, \mathcal{S}}^{-\infty, (\mathcal{E}_{\text{rf}}, \mathcal{H}), \mathfrak{s}}(\mathbb{R}_1^{n+1}; \mathbb{R}^n, \mathbb{C}^M)$, where $[\mathcal{H}] = [\mathcal{F}_{\text{ff}} + \mathcal{E}_{\text{fo}}]$;

(4) AP_{0b} is well-defined and in $\hat{\Psi}_{0\text{tr},S}^{-\infty,(\mathcal{E}_{\text{rf}}\bar{\cup}(\mathcal{F}_{\text{of}}+\mathcal{E}_{\text{fb}}),\mathcal{H}),s}(\mathbb{R}_1^{n+1};\mathbb{R}^n,\mathbb{C}^M)$, where $[\mathcal{H}] = [\mathcal{F}_{\text{ff}} + \mathcal{E}_{\text{fo}}]$.

Proof. The proof is essentially the same for all the cases above, so to exemplify the argument let's prove in detail that if $A \in \hat{\Psi}_{0\text{tr},S}^{-\infty,\mathcal{F},s}(\mathbb{R}_1^{n+1};\mathbb{R}^n,\mathbb{C}^M)$, $B \in \hat{\Psi}_{0\text{P},S}^{-\infty,\mathcal{E},t}(\mathbb{R}^n,\mathbb{C}^N;\mathbb{R}_1^{n+1})$ and $\Re(\mathcal{F}_{\text{of}} + \mathcal{E}_{\text{of}}) > -1$ then AB is well-defined and in $\Psi_{\text{phg},S}^{-\mathcal{H},(t,s)}(\mathbb{R}^n;\mathbb{C}^N,\mathbb{C}^M)$, where $[\mathcal{H}] = [\mathcal{E}_{\text{ff}} + \mathcal{F}_{\text{ff}}]$. Let

$$\begin{aligned} A &= \text{Op}_L^{\text{tr}} \left(\langle \eta \rangle^{-s(y)} a(y; \tilde{x}, \eta) \right) \\ B &= \text{Op}_L^{\text{P}} \left(b(y; x, \eta) \langle \eta \rangle^{t(y)} \right) \end{aligned}$$

for some symbols

$$\begin{aligned} a &\in S_{0\text{tr},S}^{-\infty,\mathcal{F}}(\mathbb{R}^n;\mathbb{R}_1^{n+1};\mathbb{C}^M) \\ b &\in S_{0\text{P},S}^{-\infty,\mathcal{E}}(\mathbb{R}^n;\mathbb{R}_1^{n+1};(\mathbb{C}^N)^*). \end{aligned}$$

Write $\tilde{a} = \langle \eta \rangle^{-s(y)} a(y; \tilde{x}, \eta)$ and $\tilde{b} = b(y; x, \eta) \langle \eta \rangle^{t(y)}$. From Lemma 4.30, we know that

$$\begin{aligned} \tilde{a} &\in S_{0\text{tr},S}^{-\infty,(\mathcal{F}_{\text{of}},\tilde{\mathcal{F}}_{\text{ff}})}(\mathbb{R}^n;\mathbb{R}_1^{n+1}) \\ \tilde{b} &\in S_{0\text{P},S}^{-\infty,(\mathcal{E}_{\text{of}},\tilde{\mathcal{E}}_{\text{ff}})}(\mathbb{R}^n;\mathbb{R}_1^{n+1}) \end{aligned}$$

where $\tilde{\mathcal{E}}_{\text{ff}}, \tilde{\mathcal{F}}_{\text{ff}}$ are obtained from $\mathcal{E}_{\text{ff}}, \mathcal{F}_{\text{ff}}$ by increasing some of the logarithmic orders. Now, applying Point 4 of Theorem 5.9, we know that since $\Re(\mathcal{F}_{\text{of}} + \mathcal{E}_{\text{of}}) > -1$, the composition AB is well-defined and in $\Psi_{\text{phg},S}^{-(\tilde{\mathcal{E}}_{\text{ff}}+\tilde{\mathcal{F}}_{\text{ff}})}(\mathbb{R}^n)$. Now, write $C = AB = \text{Op}_L(\tilde{c})$, where $\tilde{c} \in S_S^{-(\tilde{\mathcal{E}}_{\text{ff}}+\tilde{\mathcal{F}}_{\text{ff}})}(\mathbb{R}^n;\mathbb{R}^n;\text{hom}(\mathbb{C}^N,\mathbb{C}^M))$ is determined modulo residual symbols as an asymptotic sum

$$\tilde{c}(y; \eta) \sim \sum_{\alpha} \frac{1}{\alpha!} (D_{\eta}^{\alpha} \tilde{a}) * \left(\partial_y^{\alpha} \tilde{b} \right),$$

where the contraction map $*$ in this case is

$$(D_{\eta}^{\alpha} \tilde{a}) * \left(\partial_y^{\alpha} \tilde{b} \right) = \int (D_{\eta}^{\alpha} \tilde{a})(y; \tilde{x}, \eta) \left(\partial_y^{\alpha} \tilde{b} \right)(y; \tilde{x}, \eta) d\tilde{x}.$$

We want to prove that in fact

$$\tilde{c} \in S_{\text{phg},S}^{-\mathcal{H},(t,s)}(\mathbb{R}^n;\mathbb{R}^n;\text{hom}(\mathbb{C}^N,\mathbb{C}^M)),$$

where \mathcal{H} is an index set with $[\mathcal{H}] = [\mathcal{E}_{\text{ff}} + \mathcal{F}_{\text{ff}}]$. Since

$$\begin{aligned} \tilde{a}(y; \tilde{x}, \eta) &\in S_{0\text{tr},S}^{-\infty,\mathcal{F},s}(\mathbb{R}^n;\mathbb{R}_1^{n+1};\mathbb{C}^M) \\ \tilde{b}(y; x, \eta) &\in S_{0\text{P},S}^{-\infty,\mathcal{E},t}(\mathbb{R}^n;\mathbb{R}_1^{n+1};(\mathbb{C}^N)^*), \end{aligned}$$

from Lemma 5.5 we obtain that

$$\begin{aligned} D_{\eta}^{\alpha} \tilde{a} &= \langle \eta \rangle^{-s} a^{(\alpha)}, a^{(\alpha)} \in S_{0\text{tr},S}^{-\infty,(\mathcal{F}_{\text{of}},\mathcal{F}_{\text{ff}}+|\alpha|)}(\mathbb{R}^n;\mathbb{R}_1^{n+1};\mathbb{C}^M) \\ \partial_y^{\alpha} \tilde{b} &= b^{(\alpha)} \langle \eta \rangle^t, b^{(\alpha)} \in S_{0\text{tr},S}^{-\infty,(\mathcal{E}_{\text{of}},\tilde{\mathcal{E}}_{\text{ff}}^{(\alpha)})}(\mathbb{R}^n;\mathbb{R}_1^{n+1};(\mathbb{C}^N)^*), \end{aligned}$$

where $\tilde{\mathcal{E}}_{\text{ff}}^{(\alpha)}$ is an index set obtained from \mathcal{E}_{ff} by increasing some of the logarithmic orders. From the proof of Point 4 of Theorem 5.9, the condition $\Re(\mathcal{F}_{\text{of}} + \mathcal{E}_{\text{of}}) > -1$ guarantees that

$$c^{(\alpha)} := a^{(\alpha)} * b^{(\alpha)} \in S_{\text{phg},S}^{-(\tilde{\mathcal{E}}_{\text{ff}}+\mathcal{F}_{\text{ff}}+|\alpha|)}(\mathbb{R}^n;\mathbb{R}_1^{n+1};(\mathbb{C}^N)^*).$$

Define

$$\mathcal{H} = (\mathcal{E}_{\text{ff}} + \mathcal{F}_{\text{ff}}) \cup \bigcup_{|\alpha|>0} \left(\tilde{\mathcal{E}}_{\text{ff}}^{(\alpha)} + \mathcal{F}_{\text{ff}} + |\alpha| \right).$$

Then \mathcal{H} is an index set with $[\mathcal{H}] = [\mathcal{E}_{\text{ff}} + \mathcal{F}_{\text{ff}}]$. From the formula

$$\tilde{c}(y; \eta) \sim \sum_{\alpha} \frac{1}{\alpha!} \langle \eta \rangle^{-s} c^{(\alpha)}(y; \eta) \langle \eta \rangle^t,$$

it follows by asymptotic completeness that

$$\tilde{c} \in S_{\text{phg}, \mathcal{S}}^{-\mathcal{H}, (\mathbf{t}, \mathbf{s})}(\mathbb{R}^n; \mathbb{R}^n; \text{hom}(\mathbb{C}^N, \mathbb{C}^M)),$$

concluding the proof. \square

5.5.3. Global composition theorems. We now discuss the global composition theorems. Unfortunately, we will only be able to prove global analogues of the local composition results which do not involve $0b$ -interior operators. The author strongly believes that all the local composition theorems mentioned above should extend to the global setting, but the proof below does not work straightforwardly when $0b$ -interior operators are involved. A slightly weaker result, involving the composition $0b$ -interior \circ $0b$ -interior, will be proved at the end of the paragraph.

We will now prove the following theorems:

Theorem 5.14. *Let $\mathcal{E} = (\mathcal{E}_{\text{of}}, \mathcal{E}_{\text{ff}})$, $\mathcal{F} = (\mathcal{F}_{\text{of}}, \mathcal{F}_{\text{ff}})$ and \mathcal{G} be index sets. Let $A \in \hat{\Psi}_{0\text{tr}}^{-\infty, \mathcal{F}}(X, \partial X)$, $B \in \hat{\Psi}_{0\text{P}}^{-\infty, \mathcal{E}}(\partial X, X)$ and $Q \in \Psi_{\text{phg}}^{-\mathcal{G}}(\partial X)$. Then:*

- (1) BQ is well-defined and in $\hat{\Psi}_{0\text{P}}^{-\infty, (\mathcal{E}_{\text{of}}, \mathcal{E}_{\text{ff}} + \mathcal{G})}(\partial X, X)$;
- (2) QA is well-defined and in $\hat{\Psi}_{0\text{tr}}^{-\infty, (\mathcal{F}_{\text{of}}, \mathcal{F}_{\text{ff}} + \mathcal{G})}(X, \partial X)$;
- (3) BA is well-defined and in $\hat{\Psi}_0^{-\infty, (\mathcal{E}_{\text{of}}, \mathcal{F}_{\text{of}}, \mathcal{E}_{\text{ff}} + \mathcal{F}_{\text{ff}})}(X)$;
- (4) if $\Re(\mathcal{F}_{\text{of}} + \mathcal{E}_{\text{of}}) > -1$, then AB is well-defined and in $\Psi_{\text{phg}}^{-(\mathcal{E}_{\text{ff}} + \mathcal{F}_{\text{ff}})}(\partial X)$.

Moreover, if $[\mathcal{E}_{\text{ff}}] = m_1$, $[\mathcal{F}_{\text{ff}}] = m_2$ and $[\mathcal{G}] = m_3$ for $m_1, m_2, m_3 \in \mathbb{C}$, then for every $\eta \in T^*\partial X \setminus 0$, we have

$$\begin{aligned} \hat{N}_\eta(BQ) &= \hat{N}_\eta(B) \sigma_\eta(Q) \\ \hat{N}_\eta(QA) &= \sigma_\eta(Q) \hat{N}_\eta(A) \\ \hat{N}_\eta(BA) &= \hat{N}_\eta(B) \hat{N}_\eta(A) \\ \sigma_\eta(AB) &= \hat{N}_\eta(A) \hat{N}_\eta(B). \end{aligned}$$

Theorem 5.15. *Let $\mathcal{E} = (\mathcal{E}_{\text{lf}}, \mathcal{E}_{\text{rf}}, \mathcal{E}_{\text{ff}_0})$ and $\mathcal{F} = (\mathcal{F}_{\text{of}}, \mathcal{F}_{\text{ff}})$ be index sets. Let $A \in \hat{\Psi}_{0\text{tr}}^{-\infty, \mathcal{F}}(X, \partial X)$, $B \in \hat{\Psi}_{0\text{P}}^{-\infty, \mathcal{E}}(\partial X, X)$ and $P \in \hat{\Psi}_0^{-\infty, \mathcal{E}}(X)$.*

- (1) If $\Re(\mathcal{E}_{\text{rf}} + \mathcal{F}_{\text{of}}) > -1$, then PB is well-defined and in $\hat{\Psi}_{0\text{P}}^{-\infty, (\mathcal{E}_{\text{lf}}, \mathcal{F}_{\text{ff}} + \mathcal{E}_{\text{ff}_0})}(\partial X, X)$;
- (2) if $\Re(\mathcal{F}_{\text{of}} + \mathcal{E}_{\text{lf}}) > -1$, then AP is well-defined and in $\hat{\Psi}_{0\text{tr}}^{-\infty, (\mathcal{E}_{\text{rf}}, \mathcal{F}_{\text{ff}} + \mathcal{E}_{\text{ff}_0})}(X, \partial X)$.

Moreover, if $[\mathcal{E}_{\text{ff}_0}] = m_1$ and $[\mathcal{F}_{\text{ff}_0}] = m_2$ for $m_1, m_2 \in \mathbb{C}$, then for every $\eta \in T^*\partial X \setminus 0$, we have

$$\begin{aligned} \hat{N}_\eta(PB) &= \hat{N}_\eta(P) \hat{N}_\eta(B) \\ \hat{N}_\eta(AP) &= \hat{N}_\eta(A) \hat{N}_\eta(P). \end{aligned}$$

Theorem 5.16. *Let $\mathcal{E} = (\mathcal{E}_{\text{lf}}, \mathcal{E}_{\text{rf}}, \mathcal{E}_{\text{ff}_0})$ and $\mathcal{F} = (\mathcal{F}_{\text{lf}}, \mathcal{F}_{\text{rf}}, \mathcal{F}_{\text{ff}_0})$. Let $P \in \hat{\Psi}_0^{-\infty, \mathcal{E}}(X)$ and $Q \in \hat{\Psi}_0^{-\infty, \mathcal{F}}(X)$. If $\Re(\mathcal{E}_{\text{rf}} + \mathcal{F}_{\text{lf}}) > -1$, then PQ is well-defined and in $\hat{\Psi}_0^{-\infty, (\mathcal{E}_{\text{lf}}, \mathcal{F}_{\text{rf}}, \mathcal{E}_{\text{ff}_0} + \mathcal{F}_{\text{ff}_0})}(X)$. Moreover, if $[\mathcal{E}_{\text{ff}_0}] = m_1$ and $[\mathcal{F}_{\text{ff}_0}] = m_2$ for $m_1, m_2 \in \mathbb{C}$, then for every $\eta \in T^*\partial X \setminus 0$ we have $\hat{N}_\eta(PQ) = \hat{N}_\eta(P) \hat{N}_\eta(Q)$.*

Fix $\mathbf{E} \rightarrow \partial X$ and $\mathbf{F} \rightarrow \partial X$ smooth vector bundles, and let $\mathbf{s} : \mathbf{E} \rightarrow \mathbf{E}$, $\mathbf{t} : \mathbf{F} \rightarrow \mathbf{F}$, and $\mathbf{u} : \mathbf{W} \rightarrow \mathbf{W}$ be smooth endomorphisms with constant eigenvalues.

Theorem 5.17. *Let $\mathcal{E} = (\mathcal{E}_{\text{of}}, \mathcal{E}_{\text{ff}})$, $\mathcal{F} = (\mathcal{F}_{\text{of}}, \mathcal{F}_{\text{ff}})$ and \mathcal{G} be index sets. Let $\mathbf{A} \in \hat{\Psi}_{0\text{tr}}^{-\infty, (\mathcal{F}_{\text{of}}, [\mathcal{F}_{\text{ff}}])}(\mathbf{X}; \partial \mathbf{X}, \mathbf{E})$, $\mathbf{B} \in \hat{\Psi}_{0\text{P}}^{-\infty, (\mathcal{E}_{\text{of}}, [\mathcal{E}_{\text{ff}}])}(\partial \mathbf{X}, \mathbf{F}; \mathbf{X})$, $\mathbf{Q} \in \Psi_{\text{phg}}^{-[\mathcal{G}], (\mathbf{s}, \mathbf{t})}(\partial \mathbf{X}; \mathbf{E}, \mathbf{F})$, and $\mathbf{Q}' \in \Psi_{\text{phg}}^{-[\mathcal{H}], (\mathbf{t}, \mathbf{u})}(\partial \mathbf{X}; \mathbf{F}, \mathbf{W})$. Then:*

- (1) $\mathbf{Q}'\mathbf{Q}$ is well-defined and in $\Psi_{\text{phg}}^{-[\mathcal{G} + \mathcal{H}], (\mathbf{s}, \mathbf{u})}(\partial \mathbf{X}; \mathbf{E}, \mathbf{W})$;
- (2) \mathbf{BQ} is well-defined and in $\hat{\Psi}_{0\text{P}}^{-\infty, (\mathcal{E}_{\text{of}}, [\mathcal{E}_{\text{ff}} + \mathcal{G}])}(\partial \mathbf{X}, \mathbf{E}; \mathbf{X})$;
- (3) \mathbf{QA} is well-defined and in $\hat{\Psi}_{0\text{tr}}^{-\infty, (\mathcal{F}_{\text{of}}, [\mathcal{F}_{\text{ff}} + \mathcal{G}])}(\mathbf{X}; \partial \mathbf{X}, \mathbf{F})$;
- (4) assume that $\mathbf{E} = \mathbf{F}$ and $\mathbf{s} = \mathbf{t}$; then \mathbf{BA} is well-defined and in $\hat{\Psi}_0^{-\infty, (\mathcal{E}_{\text{of}}, \mathcal{F}_{\text{of}}, \mathcal{H})}(\mathbf{X})$, where \mathcal{H} is an index set with $[\mathcal{H}] = [\mathcal{E}_{\text{ff}} + \mathcal{F}_{\text{ff}}]$;
- (5) if $\Re(\mathcal{F}_{\text{of}} + \mathcal{E}_{\text{of}}) > -1$, then \mathbf{AB} is well-defined and in $\Psi_{\text{phg}}^{-[\mathcal{E}_{\text{ff}} + \mathcal{F}_{\text{ff}}], (\mathbf{t}, \mathbf{s})}(\partial \mathbf{X}; \mathbf{F}, \mathbf{E})$.

Moreover, if $[\mathcal{E}_{\mathfrak{ff}}] = m_1$, $[\mathcal{F}_{\mathfrak{ff}}] = m_2$ and $[\mathcal{G}] = m_3$ for $m_1, m_2, m_3 \in \mathbb{C}$, then for every $\eta \in T^*\partial X \setminus 0$ we have

$$\begin{aligned}\hat{N}_\eta(\mathbf{BQ}) &= \hat{N}_\eta(\mathbf{B})\sigma_\eta(\mathbf{Q}) \\ \hat{N}_\eta(\mathbf{QA}) &= \sigma_\eta(\mathbf{Q})\hat{N}_\eta(\mathbf{A}) \\ \hat{N}_\eta(\mathbf{BA}) &= \hat{N}_\eta(\mathbf{B})\hat{N}_\eta(\mathbf{A}) \\ \sigma_\eta(\mathbf{AB}) &= \hat{N}_\eta(\mathbf{A})\hat{N}_\eta(\mathbf{B}).\end{aligned}$$

Theorem 5.18. Let $\mathcal{E} = (\mathcal{E}_{\mathfrak{lf}}, \mathcal{E}_{\mathfrak{rf}}, \mathcal{E}_{\mathfrak{ff}_0})$ and $\mathcal{F} = (\mathcal{F}_{\mathfrak{of}}, \mathcal{F}_{\mathfrak{ff}})$ be index sets. Let $\mathbf{A} \in \hat{\Psi}_{0\text{tr}}^{-\infty, (\mathcal{F}_{\mathfrak{of}}, [\mathcal{F}_{\mathfrak{ff}}]), \mathfrak{s}}(X; \partial X, \mathbf{E})$, $\mathbf{B} \in \hat{\Psi}_{0\text{P}}^{-\infty, (\mathcal{F}_{\mathfrak{of}}, [\mathcal{F}_{\mathfrak{ff}}]), \mathfrak{s}}(\partial X, \mathbf{E}; X)$ and $P \in \hat{\Psi}_0^{-\infty, \mathcal{E}}(X)$.

(1) If $\Re(\mathcal{E}_{\mathfrak{rf}} + \mathcal{F}_{\mathfrak{of}}) > -1$, then $P\mathbf{B}$ is well-defined and in $\hat{\Psi}_{0\text{P}}^{-\infty, (\mathcal{E}_{\mathfrak{lf}}, [\mathcal{F}_{\mathfrak{ff}} + \mathcal{E}_{\mathfrak{ff}_0}]), \mathfrak{s}}(\partial X, \mathbf{E}; X)$;

(2) If $\Re(\mathcal{F}_{\mathfrak{of}} + \mathcal{E}_{\mathfrak{lf}}) > -1$, then $\mathbf{A}P$ is well-defined and in $\hat{\Psi}_{0\text{tr}}^{-\infty, (\mathcal{E}_{\mathfrak{rf}}, [\mathcal{F}_{\mathfrak{ff}} + \mathcal{E}_{\mathfrak{ff}_0}]), \mathfrak{s}}(X; \partial X, \mathbf{E})$.

Moreover, if $[\mathcal{E}_{\mathfrak{ff}_0}] = m_1$ and $[\mathcal{F}_{\mathfrak{ff}}] = m_2$ for $m_1, m_2 \in \mathbb{C}$, then for every $\eta \in T^*\partial X \setminus 0$, we have

$$\begin{aligned}\hat{N}_\eta(P\mathbf{B}) &= \hat{N}_\eta(P)\hat{N}_\eta(\mathbf{B}) \\ \hat{N}_\eta(\mathbf{A}P) &= \hat{N}_\eta(\mathbf{A})\hat{N}_\eta(P).\end{aligned}$$

Proof. Given the local composition Theorems 5.9, 5.10, 5.11, 5.12, and 5.13, the proof is almost identical to the standard proof for pseudodifferential operators. We exemplify the argument for the case 0-trace \circ 0-interior.

Let $A \in \hat{\Psi}_{0\text{tr}}^{-\infty, \mathcal{F}}(X, \partial X)$ and $P \in \hat{\Psi}_0^{-\infty, \mathcal{E}}(X)$, with $\mathcal{E} = (\mathcal{E}_{\mathfrak{lf}}, \mathcal{E}_{\mathfrak{rf}}, \mathcal{E}_{\mathfrak{ff}_0})$ and $\mathcal{F} = (\mathcal{F}_{\mathfrak{of}}, \mathcal{F}_{\mathfrak{ff}})$. Assume that $\Re(\mathcal{F}_{\mathfrak{of}} + \mathcal{E}_{\mathfrak{lf}}) > -1$. We want to show that $AP \in \hat{\Psi}_{0\text{tr}}^{-\infty, (\mathcal{E}_{\mathfrak{rf}}, \mathcal{F}_{\mathfrak{ff}} + \mathcal{E}_{\mathfrak{ff}_0})}(X, \partial X)$. First of all, we check that the composition AP is well-defined. By Points 1 and 3 of Theorem 5.1, P induces a continuous linear map

$$P : \dot{C}^\infty(X) \rightarrow \mathcal{A}_{\text{phg}}^{\mathcal{E}_{\mathfrak{lf}}}(X),$$

and since $\Re(\mathcal{F}_{\mathfrak{of}} + \mathcal{E}_{\mathfrak{lf}}) > -1$, A induces a continuous linear map

$$A : \mathcal{A}_{\text{phg}}^{\mathcal{E}_{\mathfrak{lf}}}(X) \rightarrow C^\infty(\partial X).$$

This ensures that AP is well-defined. Now, choose an atlas $\{(U_i, \varphi_i)\}$ of ∂X such that, for every pair i, j for which $U_i \cap U_j \neq \emptyset$, the union $U_i \cup U_j$ is contained in the domain \tilde{U}_{ij} of a chart $\tilde{\varphi}_{ij}$. Choose also a boundary defining function x for X , compatible with the auxiliary vector field V chosen to define the classes $\hat{\Psi}_{0\text{tr}}^{-\infty, \mathcal{F}}(X, \partial X)$ and $\hat{\Psi}_0^{-\infty, \mathcal{E}}(X)$. Using the vector field V to define a collar $[0, \varepsilon) \times \partial X \rightarrow X$, call $U'_i = [0, \varepsilon/2) \times U_i$ interpreted as an open subset of X . Note that the family $\{U'_i \times U'_i\}$ covers the locus $\partial\Delta$ in X^2 , and the family $\{U_i \times U'_i\}$ covers the locus $\partial\Delta$ in $\partial X \times X$. Now, decompose

$$\begin{aligned}A &= \sum_i A_i + R_A \\ P &= \sum_i P_i + R_P,\end{aligned}$$

where A_i is compactly supported in $U_i \times U'_i$, P_i is compactly supported in $U'_i \times U'_i$, R_A is residual trace, and R_P is very residual. More precisely,

$$\begin{aligned}R_A &\in \Psi_{\text{tr}}^{-\infty, \mathcal{F}_{\mathfrak{of}}}(X, \partial X) \\ R_P &\in \Psi^{-\infty, (\mathcal{E}_{\mathfrak{lf}}, \mathcal{E}_{\mathfrak{rf}})}(X).\end{aligned}$$

We can write the composition as

$$AP = \sum_{ij} A_i P_j + \sum_i (A_i R_P + R_A P_i) + R_A R_P.$$

We now want to show that the term

$$\sum_i (A_i R_P + R_A P_i) + R_A R_P$$

is a residual trace operator in $\Psi_{\text{tr}}^{-\infty, \mathcal{E}_{\text{rf}}}(X, \partial X)$. To see this, decompose

$$\Psi^{-\infty, (\mathcal{E}_{\text{if}}, \mathcal{E}_{\text{rf}})}(X) = \mathcal{A}_{\text{phg}}^{\mathcal{E}_{\text{if}}}(X) \hat{\otimes} \mathcal{A}_{\text{phg}}^{\mathcal{E}_{\text{rf}}}(X; \mathcal{D}_X^1).$$

By Point 1 of Theorem 5.1, the condition $\Re(\mathcal{F}_{\text{of}} + \mathcal{E}_{\text{if}}) > -1$ guarantees that A_i and R_A induce continuous linear maps $\mathcal{A}_{\text{phg}}^{\mathcal{E}_{\text{if}}}(X) \rightarrow C^\infty(\partial X)$. Therefore, the actions of A_i and R_A on the left determine continuous linear maps $\Psi^{-\infty, (\mathcal{E}_{\text{if}}, \mathcal{E}_{\text{rf}})}(X) \rightarrow C^\infty(\partial X) \hat{\otimes} \mathcal{A}_{\text{phg}}^{\mathcal{E}_{\text{rf}}}(X; \mathcal{D}_X^1)$. The latter space is precisely $\Psi_{\text{tr}}^{-\infty, \mathcal{E}_{\text{rf}}}(X, \partial X)$. Similarly, to prove the claim for $R_A P_i$, taking adjoints with respect to a smooth positive density ω on X and a positive density ν on ∂X , by Proposition 5.7 we have

$$\begin{aligned} P_i^* &\in \hat{\Psi}_0^{-\infty, (\bar{\mathcal{E}}_{\text{rf}}, \bar{\mathcal{E}}_{\text{if}}, \bar{\mathcal{E}}_{\text{ff}_0})}(X) \\ R_A^* &\in \Psi_{\text{P}}^{-\infty, \bar{\mathcal{F}}_{\text{of}}}(\partial X, X). \end{aligned}$$

The space $\Psi_{\text{P}}^{-\infty, \bar{\mathcal{F}}_{\text{of}}}(\partial X, X)$ decomposes as $\mathcal{A}_{\text{phg}}^{\bar{\mathcal{F}}_{\text{of}}}(X) \hat{\otimes} C^\infty(\partial X; \mathcal{D}_{\partial X}^1)$. Now, by Point 3 of Theorem 5.1, the condition $\Re(\mathcal{F}_{\text{of}} + \mathcal{E}_{\text{if}}) > -1$ implies that P_i^* induces a continuous linear map $\mathcal{A}_{\text{phg}}^{\bar{\mathcal{F}}_{\text{of}}}(X) \rightarrow \mathcal{A}_{\text{phg}}^{\bar{\mathcal{E}}_{\text{rf}}}(X)$. Therefore, the action of P_i^* on the left determines a continuous linear map $\mathcal{A}_{\text{phg}}^{\bar{\mathcal{F}}_{\text{of}}}(X) \hat{\otimes} C^\infty(\partial X; \mathcal{D}_{\partial X}^1) \rightarrow \mathcal{A}_{\text{phg}}^{\bar{\mathcal{E}}_{\text{rf}}}(X) \hat{\otimes} C^\infty(\partial X; \mathcal{D}_{\partial X}^1)$. This shows that $P_i^* R_A^* \in \Psi_{\text{P}}^{-\infty, \bar{\mathcal{E}}_{\text{rf}}}(\partial X, X)$, so that taking adjoints again and applying Proposition 5.7, we have $R_A P_i \in \Psi_{\text{tr}}^{-\infty, \mathcal{E}_{\text{rf}}}(X, \partial X)$.

It remains to prove that $A_i P_j \in \hat{\Psi}_{0 \text{tr}}^{-\infty, (\mathcal{E}_{\text{rf}}, \mathcal{F}_{\text{ff}} + \mathcal{E}_{\text{ff}_0})}(X, \partial X)$. If $U_i \cap U_j = \emptyset$, then clearly $U_i' \cap U_j' = \emptyset$ and therefore $A_i P_j = 0$. If instead $U_i \cap U_j \neq \emptyset$, we can think of A_i, P_j in terms of the coordinate chart $(\tilde{U}_{ij}, \tilde{\varphi}_{ij})$ and a boundary defining function x for X compatible with the chosen auxiliary vector field V on the collar, as operators

$$\begin{aligned} A_i &\in \hat{\Psi}_{0 \text{tr}, \mathcal{S}}^{-\infty, \mathcal{F}}(\mathbb{R}_1^{n+1}, \mathbb{R}^n) \\ P_j &\in \hat{\Psi}_{0, \mathcal{S}}^{-\infty, \mathcal{E}}(\mathbb{R}_1^{n+1}). \end{aligned}$$

By Point 3 of Theorem 5.10, we have $A_i P_j \in \hat{\Psi}_{0 \text{tr}, \mathcal{S}}^{-\infty, (\mathcal{E}_{\text{rf}}, \mathcal{F}_{\text{ff}} + \mathcal{E}_{\text{ff}_0})}(\mathbb{R}_1^{n+1}, \mathbb{R}^n)$. Moreover, $A_i P_j$ is compactly supported in $\tilde{U}_{ij} \times \tilde{U}_{ij} \times [0, \varepsilon)$, so it extends off to an operator in $\hat{\Psi}_{0 \text{tr}}^{-\infty, (\mathcal{E}_{\text{rf}}, \mathcal{F}_{\text{ff}} + \mathcal{E}_{\text{ff}_0})}(X, \partial X)$.

Finally, assume that $[\mathcal{F}_{\text{ff}}] = m_1$ and $[\mathcal{E}_{\text{ff}_0}] = m_2$. Choose coordinates near a point $p \in \partial X$, and write in these coordinates

$$\begin{aligned} A &\equiv \text{Op}_L^{\text{tr}}(a) \\ P &\equiv \text{Op}_L^{\text{int}}(p) \end{aligned}$$

in a neighborhood of $(p, p) \in \partial \Delta$, where $a(y; \tilde{x}, \eta) \in S_{0 \text{tr}, \mathcal{S}}^{-\infty, \mathcal{F}}(\mathbb{R}^n; \mathbb{R}_1^{n+1})$ and $p(y; x, \tilde{x}, \eta) \in S_{0, \mathcal{S}}^{-\infty, \mathcal{E}}(\mathbb{R}^n; \mathbb{R}_2^{n+2})$. As explained in §4.2.3 and §4.2.4, in these coordinates the Bessel families of A and P at the point p are defined as

$$\begin{aligned} \hat{N}_\eta(A) &= \lim_{t \rightarrow 0^+} t^{-m_1} a(0; t\tilde{x}, t^{-1}\eta) t d\tilde{x} \\ \hat{N}_\eta(P) &= \lim_{t \rightarrow 0^+} t^{-m_2} p(0; tx, t\tilde{x}, t^{-1}\eta) t d\tilde{x}. \end{aligned}$$

On the other hand since $AP \in \hat{\Psi}_{0 \text{tr}}^{-\infty, (\mathcal{E}_{\text{rf}}, \mathcal{F}_{\text{ff}} + \mathcal{E}_{\text{ff}_0})}(X, \partial X)$ and $[\mathcal{F}_{\text{ff}} + \mathcal{E}_{\text{ff}_0}] = m_1 + m_2$, we have

$$\hat{N}_\eta(AP) = \lim_{t \rightarrow 0^+} t^{-(m_1+m_2)} q(0; t\tilde{x}, t^{-1}\eta) t d\tilde{x}$$

where $q(y; \tilde{x}, \eta) \in S_{0 \text{tr}, \mathcal{S}}^{-\infty, (\mathcal{E}_{\text{rf}}, \mathcal{F}_{\text{ff}} + \mathcal{E}_{\text{ff}_0})}(\mathbb{R}^n; \mathbb{R}_1^{n+1})$ is a left-reduced 0-trace symbol such that $AP \equiv \text{Op}_L^{\text{tr}}(q)$ in the chosen coordinates near the point (p, p) . Now, the symbol q is determined, modulo residual trace symbols, as an asymptotic sum

$$q(y; \tilde{x}, \eta) \sim \sum_{\alpha} \frac{1}{\alpha!} \int (\partial_\eta^\alpha a)(y; x', \eta) (D_{\tilde{y}}^\alpha p)(y; x', \tilde{x}, \eta) dx'.$$

Taking the limit of $t^{-(m_1+m_2)}q(0; t\tilde{x}, t^{-1}\eta)t$ as $t \rightarrow 0^+$, all the terms in the summation above go to zero except for the first one: therefore,

$$\begin{aligned} \hat{N}_\eta(AP) &= \left[\lim_{t \rightarrow 0^+} t^{-(m_1+m_2)}q(0; t\tilde{x}, t^{-1}\eta)t \right] d\tilde{x} \\ &= \left[\lim_{t \rightarrow 0^+} t^{-(m_1+m_2)} \int a(0; x', t^{-1}\eta) p(0; x', t\tilde{x}, t^{-1}\eta) t dx' \right] d\tilde{x} \\ &= \left[\lim_{t \rightarrow 0^+} t^{-(m_1+m_2)} \int a(0; tx', t^{-1}\eta) p(0; tx', t\tilde{x}, t^{-1}\eta) t^2 dx' \right] d\tilde{x} \\ &= \left[\int \left(\lim_{t \rightarrow 0^+} t^{-m_1} a(0; tx', t^{-1}\eta)t \right) \left(\lim_{t \rightarrow 0^+} t^{-m_2} p(0; tx', t\tilde{x}, t^{-1}\eta)t \right) dx' \right] d\tilde{x} \\ &= \hat{N}_\eta(A) \hat{N}_\eta(P). \end{aligned}$$

□

Unfortunately, the strategy used in the previous proof does not work immediately if operators in the class $\hat{\Psi}_{0b}^{-\infty, \bullet}(X)$ are involved. Consider for example the case $0b$ -interior $\circ 0b$ -interior. If $P \in \hat{\Psi}_{0b}^{-\infty, \mathcal{E}}(X)$ and $Q \in \hat{\Psi}_{0b}^{-\infty, \mathcal{F}}(X)$ with $\mathcal{E} = (\mathcal{E}_{\text{lf}}, \mathcal{E}_{\text{rf}}, \mathcal{E}_{\text{fb}}, \mathcal{E}_{\text{fo}})$ and $\mathcal{F} = (\mathcal{F}_{\text{lf}}, \mathcal{F}_{\text{rf}}, \mathcal{F}_{\text{fb}}, \mathcal{F}_{\text{fo}})$, and $\Re(\mathcal{E}_{\text{rf}} + \mathcal{F}_{\text{lf}}) > -1$, we would like to prove that $PQ \in \hat{\Psi}_{0b}^{-\infty, \mathcal{G}}(X)$, where $\mathcal{G} = (\mathcal{G}_{\text{lf}}, \mathcal{G}_{\text{rf}}, \mathcal{G}_{\text{fb}}, \mathcal{G}_{\text{fo}})$ is defined as

$$\begin{aligned} \mathcal{G}_{\text{lf}} &= \mathcal{E}_{\text{lf}} \bar{\cup} (\mathcal{F}_{\text{lf}} + \mathcal{E}_{\text{fb}}) \\ \mathcal{G}_{\text{rf}} &= \mathcal{F}_{\text{rf}} \bar{\cup} (\mathcal{E}_{\text{rf}} + \mathcal{F}_{\text{fb}}) \\ \mathcal{G}_{\text{fb}} &= \mathcal{E}_{\text{fb}} + \mathcal{F}_{\text{fo}} \\ \mathcal{G}_{\text{fo}} &= (\mathcal{E}_{\text{fb}} + \mathcal{F}_{\text{fb}}) \bar{\cup} (\mathcal{E}_{\text{lf}} + \mathcal{F}_{\text{rf}} + 1) \end{aligned}$$

as one would expect from Point 1 of Theorem 5.11. Decompose $P = \sum_i P_i + R_P$ and $Q = \sum_i Q_i + R_Q$ as in the previous proof. Now the residual terms R_P, R_Q are in the large residual b -calculus: more precisely,

$$\begin{aligned} R_P &\in \Psi_b^{-\infty, (\mathcal{E}_{\text{lf}}, \mathcal{E}_{\text{rf}}, \mathcal{E}_{\text{fb}})}(X) \\ R_Q &\in \Psi_b^{-\infty, (\mathcal{F}_{\text{lf}}, \mathcal{F}_{\text{rf}}, \mathcal{F}_{\text{fb}})}(X). \end{aligned}$$

Writing $PQ = \sum_{ij} P_i Q_j + \sum_i (P_i R_Q + R_P Q_i) + R_P R_Q$ analogously to the previous proof, Point 1 of Theorem 5.11 ensures that the terms $P_i Q_j$ are in $\hat{\Psi}_{0b}^{-\infty, \mathcal{G}}(X)$. Moreover, by the composition theorem for the large b -calculus proved in [Maz91], the term $R_P R_Q$ is in $\Psi_b^{-\infty, (\mathcal{G}_{\text{lf}}, \mathcal{G}_{\text{rf}}, \mathcal{G}_{\text{fb}})}(X)$ which is the residual part of $\hat{\Psi}_{0b}^{-\infty, \mathcal{G}}(X)$. Now, again by Point 1 of Theorem 5.11, we would expect that the terms $P_i R_Q$ and $R_P Q_i$ are in $\Psi_b^{-\infty, (\mathcal{G}_{\text{lf}}, \mathcal{G}_{\text{rf}}, \mathcal{G}_{\text{fb}})}(X)$. However, we cannot use the strategy used in the previous proof, because the space $\Psi_b^{-\infty, (\mathcal{G}_{\text{lf}}, \mathcal{G}_{\text{rf}}, \mathcal{G}_{\text{fb}})}(X)$ does not decompose as a completed projective tensor product of spaces of polyhomogeneous functions on the product X^2 . A similar problem arises when trying to compose symbolic 0-trace and 0-Poisson operators with operators in $\hat{\Psi}_{0b}^{-\infty, \bullet}(X)$.

However, we can still prove a slightly weaker version of Point 1 of Theorem 5.11 using a different approach.

Theorem 5.19. *Let $\mathcal{E} = (\mathcal{E}_{\text{lf}}, \mathcal{E}_{\text{rf}}, \mathcal{E}_{\text{fb}}, \mathcal{E}_{\text{fo}})$ and $\mathcal{F} = (\mathcal{F}_{\text{lf}}, \mathcal{F}_{\text{rf}}, \mathcal{F}_{\text{fb}}, \mathcal{F}_{\text{fo}})$ be index sets. Let $P \in \hat{\Psi}_{0b}^{-\infty, \mathcal{E}}(X)$ and $Q \in \hat{\Psi}_{0b}^{-\infty, \mathcal{F}}(X)$. If $\Re(\mathcal{E}_{\text{rf}} + \mathcal{F}_{\text{lf}}) > -1$, then PQ is well-defined and in $\hat{\Psi}_{0b}^{-\infty, (\tilde{\mathcal{G}}_{\text{lf}}, \tilde{\mathcal{G}}_{\text{rf}}, \tilde{\mathcal{G}}_{\text{fb}}, \tilde{\mathcal{G}}_{\text{fo}})}(X)$, where*

$$\begin{aligned} \tilde{\mathcal{G}}_{\text{lf}} &= \mathcal{E}_{\text{lf}} \bar{\cup} (\mathcal{F}_{\text{lf}} + \mathcal{E}_{\text{fb}}) \bar{\cup} (\mathcal{F}_{\text{lf}} + \tilde{\mathcal{E}}_{\text{fo}}) \\ \tilde{\mathcal{G}}_{\text{rf}} &= \mathcal{F}_{\text{rf}} \bar{\cup} (\mathcal{E}_{\text{rf}} + \mathcal{F}_{\text{fb}}) \bar{\cup} (\mathcal{E}_{\text{rf}} + \tilde{\mathcal{F}}_{\text{fo}}) \\ \tilde{\mathcal{G}}_{\text{fb}} &= (\mathcal{E}_{\text{fb}} + \mathcal{F}_{\text{fb}}) \bar{\cup} (\mathcal{E}_{\text{lf}} + \mathcal{F}_{\text{rf}} + 1) \\ \tilde{\mathcal{G}}_{\text{fo}} &= \mathcal{E}_{\text{fo}} + \mathcal{F}_{\text{fo}} \end{aligned}$$

and $\tilde{\mathcal{E}}_{\mathbf{ff}_0} = \mathcal{E}_{\mathbf{ff}_0} \sqcup (\mathcal{E}_{\mathbf{ff}_b} + n)$, $\tilde{\mathcal{F}}_{\mathbf{ff}_0} = \mathcal{F}_{\mathbf{ff}_0} \sqcup (\mathcal{F}_{\mathbf{ff}_b} + n)$.

Proof. Decomposing $PQ = \sum_{ij} P_i Q_j + \sum_i (P_i R_Q + R_P Q_i) + R_P R_Q$ as in the discussion above, we see that it suffices to prove that the terms $P_i R_Q$ and $R_P Q_i$ are in $\Psi_b^{-\infty, (\tilde{\mathcal{G}}_{\mathbf{if}}, \tilde{\mathcal{G}}_{\mathbf{rf}}, \tilde{\mathcal{G}}_{\mathbf{ff}_b})}(X)$. It suffices to prove that if $P \in \hat{\Psi}_{0b}^{-\infty, \mathcal{E}}(X)$ and $Q \in \Psi_b^{-\infty, \mathcal{F}}(X)$ with $\Re(\mathcal{E}_{\mathbf{rf}} + \mathcal{F}_{\mathbf{if}}) > -1$, then $PQ \in \Psi_b^{-\infty, (\tilde{\mathcal{G}}_{\mathbf{if}}, \tilde{\mathcal{G}}_{\mathbf{rf}}, \tilde{\mathcal{G}}_{\mathbf{ff}_b})}(X)$ since the result for QP follows by taking adjoints.

From Corollary 4.16, we know that $P \in \Psi_{0b}^{-\infty, (\mathcal{E}_{\mathbf{if}}, \mathcal{E}_{\mathbf{rf}}, \mathcal{E}_{\mathbf{ff}_b}, \tilde{\mathcal{E}}_{\mathbf{ff}_0})}(X)$ where $\tilde{\mathcal{E}}_{\mathbf{ff}_0} = \mathcal{E}_{\mathbf{ff}_0} \sqcup (\mathcal{E}_{\mathbf{ff}_b} + n)$. We complete the proof using the pull-back / push-forward technique. The proof is very similar to the proof of the composition theorem for the b -calculus proved in [Maz91], so we will be brief. Consider the triple space X^3 , and consider its p -submanifolds

$$\begin{aligned} LC_0 &= \partial\Delta \times X \\ LC_b &= \partial X \times \partial X \times X \\ CR_b &= X \times \partial X \times \partial X \\ LR_b &= \partial X \times X \times \partial X \\ T_b &= LC_b \cap CR_b \cap LR_b. \end{aligned}$$

We consider the iterated blow-up

$$Z = [X^3 : T_b : LC_0 : LC_b : CR_b : LR_b].$$

We denote by $H_{100}, H_{010}, H_{001}$ the boundary hyperfaces of Z obtained by lifting the hyperfaces $\partial X \times X \times X$, $X \times \partial X \times X$, $X \times X \times \partial X$ of X^3 . Moreover, we call $\mathbf{ff}_T, \mathbf{ff}_{LC_0}, \mathbf{ff}_{LC_b}, \mathbf{ff}_{CR_b}, \mathbf{ff}_{LR_b}$ the other boundary hyperfaces of Z obtained from the blow-up. We can define three b -fibrations

$$\begin{aligned} \gamma_{LC} : Z &\rightarrow X_{0b}^2 \\ \gamma_{CR} : Z &\rightarrow X_b^2 \\ \gamma_{LR} : Z &\rightarrow X_b^2 \end{aligned}$$

as follows. γ_{CR} is defined by first blowing down $\mathbf{ff}_{LC_b}, \mathbf{ff}_{LC_0}, \mathbf{ff}_{LR_b}$ so that we end up with $[X^3 : T_b : CR_b] = [X^3 : CR_b : T_b]$; we now blow down \mathbf{ff}_T , ending up with $[X^3 : CR_b] = X \times X_b^2$; finally, we project to X_b^2 . The map γ_{LR} is defined similarly. Concerning γ_{LC} , we first blow down $\mathbf{ff}_{CR_b}, \mathbf{ff}_{LR_b}$, and then we blow down \mathbf{ff}_T , ending up with $[X^3 : LC_0 : LC_b] = X_{0b}^2 \times X$; we then project to the factor X_{0b}^2 .

The boundary matrix of γ_{CR} (cf. §2 of [Mel96]) is

$$e_{\gamma_{CR}} = \begin{array}{c} \mathbf{if} \\ \mathbf{rf} \\ \mathbf{ff}_b \end{array} \begin{array}{ccccccccc} H_{100} & H_{010} & H_{001} & \mathbf{ff}_T & \mathbf{ff}_{LC_0} & \mathbf{ff}_{LC_b} & \mathbf{ff}_{CR_b} & \mathbf{ff}_{LR_b} \\ \begin{array}{c} 0 \\ 0 \\ 0 \end{array} & \begin{array}{c} 1 \\ 0 \\ 0 \end{array} & \begin{array}{c} 0 \\ 1 \\ 0 \end{array} & \begin{array}{c} 0 \\ 0 \\ 1 \end{array} & \begin{array}{c} 1 \\ 0 \\ 0 \end{array} & \begin{array}{c} 1 \\ 0 \\ 0 \end{array} & \begin{array}{c} 0 \\ 0 \\ 1 \end{array} & \begin{array}{c} 0 \\ 1 \\ 0 \end{array} \end{array}.$$

This is a convenient way to record the index sets of the pull-backs via γ_{CR} of a triple of boundary defining functions for X_b^2 . More precisely, if $r_{\mathbf{if}}, r_{\mathbf{rf}}, r_{\mathbf{ff}_b}$ are boundary defining functions for X_b^2 , we have

$$\begin{aligned} \gamma_{CR}^* r_{\mathbf{if}} &= \rho_{010} \rho_{LC_b} \rho_{LC_0} \\ \gamma_{CR}^* r_{\mathbf{rf}} &= \rho_{001} \rho_{LR_b} \\ \gamma_{CR}^* r_{\mathbf{ff}_b} &= \rho_T \rho_{CR_b} \end{aligned}$$

where ρ_\bullet are various boundary defining functions for Z . The matrix of boundary exponents is easy to compute, as it is a composition of matrices of boundary exponents for blow-down maps and canonical projections. Similarly, one computes the boundary matrix of γ_{LR}

$$e_{\gamma_{LR}} = \begin{array}{c} \mathbf{if} \\ \mathbf{rf} \\ \mathbf{ff}_b \end{array} \begin{array}{ccccccccc} H_{100} & H_{010} & H_{001} & \mathbf{ff}_T & \mathbf{ff}_{LC_0} & \mathbf{ff}_{LC_b} & \mathbf{ff}_{CR_b} & \mathbf{ff}_{LR_b} \\ \begin{array}{c} 1 \\ 0 \\ 0 \end{array} & \begin{array}{c} 0 \\ 0 \\ 0 \end{array} & \begin{array}{c} 0 \\ 1 \\ 0 \end{array} & \begin{array}{c} 0 \\ 0 \\ 1 \end{array} & \begin{array}{c} 1 \\ 0 \\ 0 \end{array} & \begin{array}{c} 1 \\ 0 \\ 0 \end{array} & \begin{array}{c} 0 \\ 1 \\ 0 \end{array} & \begin{array}{c} 0 \\ 0 \\ 1 \end{array} \end{array}$$

and the boundary matrix of γ_{LC}

$$e_{\gamma_{LC}} = \begin{array}{c} \\ \\ \\ \\ \end{array} \begin{array}{ccccccccc} H_{100} & H_{010} & H_{001} & \mathbf{ff}_T & \mathbf{ff}_{LC_0} & \mathbf{ff}_{LC_b} & \mathbf{ff}_{CR_b} & \mathbf{ff}_{LR_b} \\ \mathbf{lf} & 1 & 0 & 0 & 0 & 0 & 0 & 1 \\ \mathbf{rf} & 0 & 1 & 0 & 0 & 0 & 1 & 0 \\ \mathbf{fb} & 0 & 0 & 0 & 1 & 0 & 0 & 0 \\ \mathbf{f0} & 0 & 0 & 0 & 0 & 1 & 0 & 0 \end{array} .$$

Now, the lifted Schwartz kernel $\kappa_{PQ} = \beta_b^* K_{PQ}$ is equal to

$$(\gamma_{LR})_* (\gamma_{LC}^* \kappa_{PQ} \cdot \gamma_{CR}^* \kappa_{PQ}) .$$

From the Pull-back Theorem, to compute the index sets of $\gamma_{LC}^* \kappa_{PQ}$ we simply multiply the formal row vector $(\mathcal{E}_{\mathbf{lf}}, \mathcal{E}_{\mathbf{rf}}, \mathcal{E}_{\mathbf{fb}}, \tilde{\mathcal{E}}_{\mathbf{f0}})^T$ on the left by $e_{\gamma_{LC}}$, ending up with

$$(\mathcal{E}_{\mathbf{lf}}, \mathcal{E}_{\mathbf{rf}}, 0, \mathcal{E}_{\mathbf{fb}}, \tilde{\mathcal{E}}_{\mathbf{f0}}, \mathcal{E}_{\mathbf{fb}}, \mathcal{E}_{\mathbf{rf}}, \mathcal{E}_{\mathbf{lf}}) .$$

Similarly, the index sets of $\gamma_{CR}^* \kappa_{PQ}$ are obtained by multiplying $(\mathcal{F}_{\mathbf{lf}}, \mathcal{F}_{\mathbf{rf}}, \mathcal{F}_{\mathbf{fb}})^T$ on the left by $e_{\gamma_{CR}}$, and we obtain

$$(0, \mathcal{F}_{\mathbf{lf}}, \mathcal{F}_{\mathbf{rf}}, \mathcal{F}_{\mathbf{fb}}, \mathcal{F}_{\mathbf{lf}}, \mathcal{F}_{\mathbf{rf}}, \mathcal{F}_{\mathbf{fb}}, \mathcal{F}_{\mathbf{rf}}) .$$

The index sets of the product $\gamma_{LC}^* \kappa_{PQ} \cdot \gamma_{CR}^* \kappa_{PQ}$ are obtained by adding the two index sets above. The resulting tuple refers to the index sets of $\gamma_{LC}^* \kappa_{PQ} \cdot \gamma_{CR}^* \kappa_{PQ}$ interpreted as a section of the bundle

$$\gamma_{LC}^* (r_{\mathbf{fb}}^{-1} r_{\mathbf{f0}}^{-n-1} \beta_{0b,R}^* \mathcal{D}_X^1) \otimes \gamma_{CR}^* (r_{\mathbf{fb}}^{-1} \beta_{b,R}^* \mathcal{D}_X^1) .$$

Before applying the Push-forward Theorem, we need to express it as a rescaling of the bundle

$$\gamma_{LR}^* (r_{\mathbf{fb}}^{-1} \beta_{b,R}^* \mathcal{D}_X^1) \otimes \gamma_{LR}^* ({}^b \mathcal{D}_{X_b}^{-1}) \otimes {}^b \mathcal{D}_Z .$$

This is a routine computation, which requires the following fundamental fact (cf. Lemma C.3 of [EM90]): if Y is a manifold with corners, S is a p -submanifold of codimension c , and $\beta : [Y : S] \rightarrow Y$ is the blow-down map, then

$$\beta^* (C^\infty(Y; \mathcal{D}_Y^1)) = r_{\mathbf{ff}}^{c-1} C^\infty([Y : S]; \mathcal{D}_{[X:S]}^1) .$$

We omit all the elementary computations and only report the results: the index sets are

$$\begin{array}{l} \mathcal{E}_{\mathbf{lf}} \text{ at } H_{100} \\ \mathcal{E}_{\mathbf{rf}} + \mathcal{F}_{\mathbf{lf}} + 1 \text{ at } H_{010} \\ \mathcal{F}_{\mathbf{rf}} \text{ at } H_{001} \\ \mathcal{E}_{\mathbf{fb}} + \mathcal{F}_{\mathbf{fb}} \text{ at } \mathbf{ff}_T \\ \mathcal{F}_{\mathbf{lf}} + \tilde{\mathcal{E}}_{\mathbf{f0}} \text{ at } \mathbf{ff}_{LC_0} \\ \mathcal{F}_{\mathbf{lf}} + \mathcal{E}_{\mathbf{fb}} \text{ at } \mathbf{ff}_{LC_b} \\ \mathcal{E}_{\mathbf{rf}} + \mathcal{F}_{\mathbf{fb}} \text{ at } \mathbf{ff}_{CR_b} \\ \mathcal{E}_{\mathbf{lf}} + \mathcal{F}_{\mathbf{rf}} + 1 \text{ at } \mathbf{ff}_{LR_b} . \end{array}$$

Once we have these index sets, the integrability condition for the push-forward of $(\gamma_{LR})_* (\gamma_{LC}^* \kappa_{PQ} \cdot \gamma_{CR}^* \kappa_{PQ})$ is that the index set at H_{010} has real part > 0 (H_{010} is the only column of $e_{\gamma_{LR}}$ containing only zeros). The index sets for the push-forward are obtained by taking the extended unions of the index sets corresponding to ones, in each row of $e_{\gamma_{LR}}$. The result is exactly the triple of index sets $\tilde{\mathcal{G}}_{\mathbf{lf}}, \mathcal{G}_{\mathbf{rf}}, \mathcal{G}_{\mathbf{fb}}$ defined above. \square

5.6. Mapping properties on Sobolev spaces. We finally discuss mapping properties on Sobolev spaces. Given $k \in \mathbb{N}$, we denote by $H_0^k(X)$ the space of L_b^2 functions u on X such that, for any set $V_1, \dots, V_j \in \mathcal{V}_0(X)$ with $j \leq k$, the weak multiple 0-derivative $V_1 \cdots V_j u$ is still in $L_b^2(X)$. Given $\delta \in \mathbb{R}$, we denote by $x^\delta H_0^k(X)$ the space of functions of the form $x^\delta u$, where $u \in H_0^k(X)$ and x is a boundary defining functions. This space does not depend on the choice of x . We can define a natural Banach topology on $x^\delta H_0^k(X)$ in the usual way, by means of a choice of a finite set of vector fields on X which span 0TX pointwise. As usual, this choice does not depend on the choices made.

Let's recall some basic mapping properties of the 0-calculus and the extended 0-calculus:

Theorem 5.20. (Theorem 3.25, Corollary 3.23, and Proposition 3.29 of [Maz91], Theorem 5.2.2 of [Lau03])

- (1) If $P \in \Psi_0^m(X)$, then P is bounded as a map $x^\delta H_0^{k+m}(X) \rightarrow x^\delta H_0^k(X)$ for every k and δ .
- (2) If $P \in \Psi_0^{-\infty, \mathcal{E}}(X)$, $\Re(\mathcal{E}_{\mathbf{lf}}) > \delta$, $\Re(\mathcal{E}_{\mathbf{rf}}) > -\delta - 1$, and $\Re(\mathcal{E}_{\mathbf{ff}_0}) \geq 0$, then P is bounded as a map $x^\delta H_0^{m_1}(X) \rightarrow x^\delta H_0^{m_2}(X)$ for every m_1, m_2 . If moreover $\Re(\mathcal{E}_{\mathbf{ff}_0}) > 0$, then the map is compact.
- (3) If $P \in \Psi_{0b}^{-\infty, \mathcal{E}}(X)$, $\Re(\mathcal{E}_{\mathbf{lf}}) > \delta$, $\Re(\mathcal{E}_{\mathbf{rf}}) > -\delta - 1$, $\Re(\mathcal{E}_{\mathbf{fb}_0}) > 0$, and $\Re(\mathcal{E}_{\mathbf{ff}_0}) \geq 0$, then P is bounded as a map $x^\delta H_0^{m_1}(X) \rightarrow x^\delta H_0^{m_2}(X)$ for every m_1, m_2 . If moreover $\Re(\mathcal{E}_{\mathbf{ff}_0}) > 0$, the map is compact.

Directly by the previous theorem, and by Corollary 4.22, we get mapping properties for 0-interior and 0b-interior operators:

Corollary 5.21.

- (1) If $P \in \hat{\Psi}_{0b}^{-\infty, \mathcal{E}}(X)$, $\Re(\mathcal{E}_{\mathbf{lf}}) > \delta$, $\Re(\mathcal{E}_{\mathbf{rf}}) > -\delta - 1$, $\Re(\mathcal{E}_{\mathbf{fb}_0}) > 0$, and $\Re(\mathcal{E}_{\mathbf{ff}_0}) \geq 0$, then P is bounded as a map $x^\delta H_0^{m_1}(X) \rightarrow x^\delta H_0^{m_2}(X)$ for every m_1, m_2 . Moreover, if $\Re(\mathcal{E}_{\mathbf{ff}_0}) > 0$, then the map is compact.
- (2) If $P \in \hat{\Psi}_0^{-\infty, \mathcal{E}}(X)$, $\Re(\mathcal{E}_{\mathbf{lf}}) > \delta$, $\Re(\mathcal{E}_{\mathbf{rf}}) > -\delta - 1$, and $\Re(\mathcal{E}_{\mathbf{ff}_0}) \geq 0$, then P is bounded as a map $x^\delta H_0^{m_1}(X) \rightarrow x^\delta H_0^{m_2}(X)$ for every m_1, m_2 . Moreover, if $\Re(\mathcal{E}_{\mathbf{ff}_0}) > 0$, then the map is compact.

On ∂X , we will use Sobolev spaces adapted to the twisted boundary calculus. These Sobolev spaces were introduced in [KM15]. Given a smooth family of matrices $\mathbf{a} : \mathbb{R}^n \rightarrow \text{hom}(\mathbb{C}^N)$ with a constant, single eigenvalue, we define $H^\alpha(\mathbb{R}^n; \mathbb{C}^N)$ as the space of measurable \mathbb{C}^N -valued functions $u : \mathbb{R}^n \rightarrow \mathbb{C}^N$ such that $\langle \eta \rangle^\alpha \hat{u}(\eta) \in L^2(\mathbb{R}^n; \mathbb{C}^N)$, where $\hat{u}(\eta)$ is the Fourier transform on \mathbb{R}^n . Globally, given a vector bundle $E \rightarrow \partial X$ and a smooth endomorphism $\mathbf{a} : E \rightarrow E$ with a constant, single eigenvalue, we define $H^\alpha(\partial X; E)$ as the space of measurable sections of E which are locally in $H^\alpha(\mathbb{R}^n; \mathbb{C}^N)$ in terms of coordinates on ∂X and a trivialization for E . Observe that, if μ is the unique eigenvalue of \mathbf{a} , then the norm of $H^\alpha(\partial X; E)$ is slightly stronger than the usual norm of $H^{\Re(\mu)}(\partial X; E)$; the reason is that, in local coordinates the entries of $\langle \eta \rangle^\alpha$ are linear combinations of $\langle \eta \rangle^\mu (\log \langle \eta \rangle)^l$, which has (for $l > 0$) a worse decay rate at $|\eta| \rightarrow \infty$ than $\langle \eta \rangle^{\Re(\mu)}$. Finally, if $E \rightarrow \partial X$ is a vector bundle, $\mathbf{a} : E \rightarrow E$ is a bundle endomorphism with constant eigenvalue, and $E = \bigoplus_i E_i$, $\mathbf{a} = \bigoplus_i \mathbf{a}_i$ is the decomposition into generalized eigenbundles of \mathbf{a} , we define $H^\alpha(X; E) = \bigoplus_i H^{\alpha_i}(X; E_i)$.

The following basic mapping property is a direct consequence of the definitions, but it can also be derived by the more general mapping properties for the calculus developed in [KM15]:

Proposition 5.22. Let E, F be vector bundles on ∂X equipped with smooth endomorphisms $\mathbf{a} : E \rightarrow E$, $\mathbf{b} : F \rightarrow F$ with constant eigenvalues. Let $Q \in \Psi_{\text{phg}}^{[0], (\mathbf{a}, \mathbf{b})}(\partial X; E, F)$. Then Q induces a continuous linear map

$$Q : H^\alpha(\partial X; E) \rightarrow H^\beta(\partial X; F).$$

If $\sigma(Q) = 0$, then the map above is compact.

We will now discuss mapping properties for symbolic 0-trace and 0-Poisson operators. We formulate the results directly in the twisted case, since the un-twisted case is obtained by taking the twisting endomorphism equal to a real multiple of the identity.

Theorem 5.23. Let $\mathfrak{s} : E \rightarrow E$ be a smooth bundle endomorphism with constant eigenvalues.

- (1) Let $A \in \hat{\Psi}_{0\text{tr}}^{-\infty, (\mathcal{E}_{\text{of}}, [\mathcal{E}_{\mathbf{ff}}]), \mathfrak{s}}(X; \partial X, E)$. Let $\delta \in \mathbb{R}$, and suppose that

$$\begin{aligned} \Re(\mathcal{E}_{\text{of}}) &> -\delta - 1 \\ [\mathcal{E}_{\mathbf{ff}}] &= 0. \end{aligned}$$

Then A induces a continuous linear map

$$x^\delta L_b^2(X) \rightarrow H^\mathfrak{s}(\partial X; E).$$

If moreover $\hat{N}(A) \equiv 0$, then the map above is compact.

(2) Let $\mathbf{B} \in \hat{\Psi}_{0P}^{-\infty, (\mathcal{E}_{\text{of}}, [\mathcal{E}_{\text{ff}}]), \mathfrak{s}}(\partial X, \mathbf{E}; X)$. Let $\delta \in \mathbb{R}$, and suppose that

$$\begin{aligned}\Re(\mathcal{E}_{\text{of}}) &> \delta \\ [\mathcal{E}_{\text{ff}}] &= 0.\end{aligned}$$

Then \mathbf{B} induces a continuous linear map

$$\mathbf{B} : H^{\mathfrak{s}}(\partial X; \mathbf{E}) \rightarrow x^{\delta} L_b^2(X).$$

If moreover $\hat{N}(\mathbf{B}) \equiv 0$, then the map above is compact.

Proof. (1) Let's first reduce ourselves to the scalar, untwisted case. Let $\mathbf{Q} \in \Psi^{[0], (\mathbf{a}, 0)}(\partial X; \mathbf{E})$ be an elliptic boundary operator. Then \mathbf{Q} admits a left parametrix $\mathbf{K} \in \Psi^{[0], (0, \mathbf{a})}(\partial X; \mathbf{E})$ such that $\mathbf{K}\mathbf{Q} = I - \mathbf{R}$, with $\mathbf{R} \in \Psi^{-\infty}(\partial X; \mathbf{E})$. Now write

$$\mathbf{A} = \mathbf{K}\mathbf{Q}\mathbf{A} + \mathbf{R}\mathbf{A}.$$

We know that \mathbf{K} induces a continuous linear map

$$\mathbf{K} : L^2(\partial X; \mathbf{E}) \rightarrow H^{\mathbf{a}}(\partial X; \mathbf{E}).$$

Now, by Theorem 5.17, we have

$$\mathbf{Q}\mathbf{A} \in \hat{\Psi}_{0\text{tr}}^{-\infty, (\mathcal{E}_{\text{of}}, [\mathcal{E}_{\text{ff}}]), 0}(X; \partial X, \mathbf{E})$$

which means that $\mathbf{Q}\mathbf{A}$ is a un-twisted symbolic 0-trace operator, $\hat{\Psi}_{0\text{tr}}^{-\infty, (\mathcal{E}_{\text{of}}, \tilde{\mathcal{E}}_{\text{ff}})}(X, \partial X; \mathbf{E})$ where $\tilde{\mathcal{E}}_{\text{ff}}$ is an index set with $[\tilde{\mathcal{E}}_{\text{ff}}] = [\mathcal{E}_{\text{ff}}]$. Similarly, since \mathbf{R} is smoothing, the composition $\mathbf{R}\mathbf{A}$ is a very residual trace operator,

$$\mathbf{R}\mathbf{A} \in \Psi_{\text{tr}}^{-\infty, \mathcal{E}_{\text{of}}}(X; \partial X, \mathbf{E}).$$

Since $\mathbf{K} \in \Psi^{[0], (0, \mathbf{a})}(\partial X; \mathbf{E})$, it induces a continuous linear map

$$\mathbf{K} : L^2(\partial X; \mathbf{E}) \rightarrow H^{\mathbf{a}}(\partial X; \mathbf{E}).$$

Therefore, it suffices to prove that if $\Re(\mathcal{E}_{\text{of}}) > -\delta - 1$ and $[\mathcal{E}_{\text{ff}}] = 0$ both $\mathbf{R}\mathbf{A}$ and $\mathbf{Q}\mathbf{A}$ induce continuous linear maps $x^{\delta} L_b^2(X) \rightarrow L^2(\partial X; \mathbf{E})$. In fact, we can also assume that $\delta = 0$: indeed, if x is a boundary defining function for X , then we have $\mathbf{A}x^{-\delta} \in \hat{\Psi}_{0\text{tr}}^{-\infty, (\mathcal{E}_{\text{of}} - \delta, \mathcal{E}_{\text{ff}} - \delta)}(X; \partial X, \mathbf{E})$.

From the discussion above, we can without loss of generality work with scalar operators, and we are left to prove that if $A \in \hat{\Psi}_{0\text{tr}}^{-\infty, \mathcal{E}}(X, \partial X)$, $\Re(\mathcal{E}_{\text{of}}) > -1$ and $[\mathcal{E}_{\text{ff}}] = 0$, then A induces a continuous linear map

$$A : L_b^2(X) \rightarrow L^2(\partial X).$$

Choose positive smooth densities for X and ∂X , inducing L^2 inner products on the spaces above. Let A^{\dagger} be the formal adjoint of A with respect to these inner products. By §5.17, we have $A^{\dagger} \in \hat{\Psi}_{0P}^{-\infty, \mathcal{F}}(\partial X, X)$ where

$$\begin{aligned}\mathcal{F}_{\text{of}} &:= \bar{\mathcal{E}}_{\text{of}} + 1 \\ \mathcal{F}_{\text{ff}} &:= \bar{\mathcal{E}}_{\text{ff}}.\end{aligned}$$

Now, if $u \in \dot{C}^{\infty}(X; \mathbf{E})$, we have

$$\begin{aligned}\|Au\|_{L^2}^2 &= (Au, Au)_{L^2} \\ &= (A^{\dagger}Au, u)_{L_b^2}.\end{aligned}$$

By Theorem 5.14, the operator $A^{\dagger}A$ is well-defined and in $\hat{\Psi}_0^{-\infty, (\mathcal{F}_{\text{of}}, \mathcal{E}_{\text{of}}, \mathcal{E}_{\text{ff}} + \mathcal{F}_{\text{ff}})}(X)$. These index sets satisfy

$$\begin{aligned}\Re(\mathcal{F}_{\text{of}}) &> 0 \\ \Re(\mathcal{E}_{\text{of}}) &> -1 \\ [\mathcal{E}_{\text{ff}} + \mathcal{F}_{\text{ff}}] &= 0,\end{aligned}$$

so by Corollary 5.21 $A^{\dagger}A$ is bounded as a map $L_b^2(X) \rightarrow L_b^2(X)$. Therefore, $\|Au\|_{L^2}^2 \leq \|A^{\dagger}A\| \|u\|_{L_b^2}^2$ where $\|A^{\dagger}A\|$ is the operator norm of $A^{\dagger}A$ on $L_b^2(X)$. Thus, we can extend A by continuity from $\dot{C}^{\infty}(X)$ to a bounded map $L_b^2(X) \rightarrow L^2(\partial X)$.

Concerning compactness, if $\mathbf{A} \in \hat{\Psi}_{0\text{tr}}^{-\infty, (\mathcal{E}_{\text{of}}, [\mathcal{E}_{\text{ff}}]), \mathfrak{s}}(X; \partial X, \mathbf{E})$, $\Re(\mathcal{E}_{\text{of}}) > -\delta - 1$ and $[\mathcal{E}_{\text{ff}}] = 0$, and moreover $\hat{N}(\mathbf{A}) \equiv 0$, then for $\epsilon > 0$ sufficiently small we can write $\mathbf{A} \in \hat{\Psi}_{0\text{tr}}^{-\infty, (\mathcal{E}_{\text{of}}, [\mathcal{H}]), \mathfrak{s}+\epsilon}(X; \partial X, \mathbf{E})$, where $\Re(\mathcal{H}) > 0$. Indeed, if $\hat{N}(\mathbf{A}) \equiv 0$, then locally we can write $\mathbf{A} = \text{Op}(\langle \eta \rangle^{-\mathfrak{s}} \mathbf{a})$ for some $\mathbf{a} \in S_{0\text{tr}, \mathcal{S}}^{-\infty, (\mathcal{E}_{\text{of}}, \mathcal{H}'), \mathfrak{s}}$ with $\Re(\mathcal{H}') > 0$. But then, choosing $\epsilon > 0$ so that $\mathcal{H} = \mathcal{H}' - \epsilon$ satisfies $\Re(\mathcal{H}) > 0$, we can write $\langle \eta \rangle^{-\mathfrak{s}} \mathbf{a} = \langle \eta \rangle^{-\mathfrak{s}-\epsilon} \langle \eta \rangle^\epsilon \mathbf{a}$ and $\langle \eta \rangle^\epsilon \mathbf{a} \in S_{0\text{tr}, \mathcal{S}}^{-\infty, (\mathcal{E}_{\text{of}}, \mathcal{H}), \mathfrak{s}}$, so $\mathbf{A} \in \hat{\Psi}_{0\text{tr}}^{-\infty, (\mathcal{E}_{\text{of}}, [\mathcal{H}]), \mathfrak{s}}(X; \partial X, \mathbf{E})$ for $\Re(\mathcal{H}) > 0$. This implies, from what we just proved, that \mathbf{A} induces a continuous linear map $x^\delta L_b^2(X) \rightarrow H^{\mathfrak{s}+\epsilon}(\partial X; \mathbf{E})$. Since the inclusion $H^{\mathfrak{s}+\epsilon}(\partial X; \mathbf{E}) \hookrightarrow H^{\mathfrak{s}}(\partial X; \mathbf{E})$ is compact, \mathbf{A} is compact as a map $x^\delta L_b^2(X) \rightarrow H^{\mathfrak{s}}(\partial X; \mathbf{E})$.

(2) The proof is very similar to the previous one. We can easily reduce ourselves to the scalar, un-twisted case, and it suffices to prove that if $B \in \hat{\Psi}_{0\text{P}}^{-\infty, \mathcal{E}}(\partial X, X)$, $\Re(\mathcal{E}_{\text{of}}) > 0$, and $[\mathcal{E}_{\text{ff}}] = 0$, then B induces a bounded operator

$$B : L^2(\partial X) \rightarrow L_b^2(X).$$

As in the previous theorem, let B^\dagger the formal adjoint of B . Then $B^\dagger \in \hat{\Psi}_{0\text{tr}}^{-\infty, \mathcal{F}}(X, \partial X)$, with

$$\mathcal{F}_{\text{of}} := \overline{\mathcal{E}_{\text{of}}} - 1$$

$$\mathcal{F}_{\text{ff}} := \overline{\mathcal{E}_{\text{ff}}},$$

and since $\Re(\mathcal{E}_{\text{of}} + \mathcal{F}_{\text{of}}) > -1$, we have $B^\dagger B \in \Psi_{\text{phg}}^{-(\mathcal{E}_{\text{ff}} + \mathcal{F}_{\text{ff}})}(\partial X)$ by Theorem 5.14. Since $[\mathcal{E}_{\text{ff}} + \mathcal{F}_{\text{ff}}] = 0$, $B^\dagger B$ can be seen as a standard pseudodifferential operator of order 0, and therefore it is bounded as an operator

$$B^\dagger B : L^2(\partial X) \rightarrow L^2(\partial X).$$

Therefore, for every $u \in C^\infty(\partial X)$, we have

$$\begin{aligned} \|Bu\|_{L_b^2}^2 &= (B^\dagger B u, u)_{L^2} \\ &\leq \|B^\dagger B\| \|u\|_{L^2}^2, \end{aligned}$$

where $\|B^\dagger B\|$ is the operator norm of $B^\dagger B$ on $L^2(\partial X)$. Therefore, we can extend B by continuity from $C^\infty(\partial X)$ to a bounded operator $L^2(\partial X) \rightarrow L_b^2(X)$.

Concerning compactness, suppose that $\mathbf{B} \in \hat{\Psi}_{0\text{P}}^{-\infty, (\mathcal{E}_{\text{of}}, [\mathcal{E}_{\text{ff}}]), \mathfrak{s}}(\partial X, \mathbf{E}; X)$, $\Re(\mathcal{E}_{\text{of}}) > \delta$, $[\mathcal{E}_{\text{ff}}] = 0$, and $\hat{N}(\mathbf{B}) \equiv 0$. Then we can write $\mathbf{B} \in \hat{\Psi}_{0\text{P}}^{-\infty, (\mathcal{E}_{\text{of}}, [\mathcal{H}]), \mathfrak{s}-\epsilon}(\partial X, \mathbf{E}; X)$ for a small $\epsilon > 0$, with $\Re(\mathcal{H}) > 0$. Indeed, the condition $\hat{N}(\mathbf{B}) \equiv 0$ ensures that locally $\mathbf{B} = \text{Op}_L^{\text{P}}(\mathbf{b} \langle \eta \rangle^{\mathfrak{s}})$ for some $\mathbf{b} \in S_{0\text{P}, \mathcal{S}}^{-\infty, (\mathcal{E}_{\text{of}}, \mathcal{H}'), \mathfrak{s}}$ with $\Re(\mathcal{H}') > 0$; but then, for $\epsilon > 0$ small enough, calling $\mathcal{H} = \mathcal{H}' - \epsilon$ we still have $\Re(\mathcal{H}) > 0$, and writing $\mathbf{b} \langle \eta \rangle^{\mathfrak{s}} = \mathbf{b} \langle \eta \rangle^\epsilon \langle \eta \rangle^{\mathfrak{s}-\epsilon}$, we have $\mathbf{b} \langle \eta \rangle^\epsilon \in S_{0\text{P}, \mathcal{S}}^{-\infty, (\mathcal{E}_{\text{of}}, \mathcal{H}), \mathfrak{s}}$ so $\mathbf{B} \in \hat{\Psi}_{0\text{P}}^{-\infty, (\mathcal{E}_{\text{of}}, [\mathcal{H}]), \mathfrak{s}-\epsilon}(\partial X, \mathbf{E}; X)$. But then \mathbf{B} is continuous as a map $H^{\mathfrak{s}-\epsilon}(\partial X; \mathbf{E}) \rightarrow x^\delta L_b^2(X)$, and since the inclusion $H^{\mathfrak{s}}(\partial X; \mathbf{E}) \rightarrow H^{\mathfrak{s}-\epsilon}(\partial X; \mathbf{E})$ is compact, \mathbf{B} is compact as a map $H^{\mathfrak{s}}(\partial X; \mathbf{E}) \rightarrow x^\delta L_b^2(X)$. \square

6. PARAMETRIX CONSTRUCTION

In this section, we finally provide a solution for the boundary value problem outlined in §3. Now that we have all the pieces in place, we can outline again the problem in a precise way, and state the main results.

Let $L \in \text{Diff}_0^m(X)$ be a 0-elliptic operator with constant indicial roots, and let $\delta \in \mathbb{R}$ be a surjective, not injective weight for L . Fix an auxiliary smooth positive density ω for X , a vector field V on X transversal to ∂X and inward-pointing, and a boundary defining function x on X compatible with V in the sense that $Vx \equiv 1$ near the boundary. Denote by P_1, P_2, G the $x^\delta L_b^2$ orthogonal projectors and generalized inverse for L with respect to the $x^\delta L_b^2$ inner product determined by the singular density $x^{-2\delta-1}\omega$ (cf. §3.1.1). By Mazzeo's Theorem 3.1, we have

$$\begin{aligned} P_1 &\in \Psi_0^{-\infty, \mathcal{E}}(X) \\ P_2 &\in \Psi^{-\infty, \mathcal{F}}(X) \\ G &\in \Psi_0^{-m, \mathcal{H}}(X), \end{aligned}$$

where the index sets $\mathcal{E} = (\mathcal{E}_{\text{lf}}, \mathcal{E}_{\text{rf}}, \mathcal{E}_{\text{ff}_0})$, $\mathcal{F} = (\mathcal{F}_{\text{lf}}, \mathcal{F}_{\text{rf}})$ and $\mathcal{H} = (\mathcal{H}_{\text{lf}}, \mathcal{H}_{\text{rf}}, \mathcal{H}_{\text{ff}_0})$, are as in Theorem 3.1. In particular, \mathcal{E}_{lf} is the extended union of the simple index sets generated by the pairs $(\mu, M_\mu) \in \widetilde{\text{spec}}_b(L)$ such that $\Re(\mu) > \delta$.

Let $\bar{\delta}$ be the infimum of the injective weights for L . The *critical indicial roots* for L relative to the weight δ are the indicial roots whose real part is in $(\delta, \bar{\delta}]$ (cf. §3.1.2). Denote by $\mathbf{E}_L \rightarrow \partial X$ the smooth vector bundle over ∂X defined as

$$\mathbf{E}_L = \bigoplus_{\mu \text{ critical}} E_{\mu, \tilde{M}_\mu},$$

where $E_{\mu, \tilde{M}_\mu} \rightarrow \partial X$ is the vector bundle of rank $\tilde{M}_\mu = \max\{m \in \mathbb{N} : (\mu, m) \in \mathcal{E}_{\text{lf}}\}$ whose smooth sections are the smooth fibrewise log-homogeneous of degree $\leq (\mu, \tilde{M}_\mu)$ functions on $N^+\partial X$ (cf. §3.1.3). Concretely, in terms of the trivialization $N^+\partial X \equiv \partial X \times \mathbb{R}_1^1$ induced by the choice of V , a global smooth frame of E_{μ, \tilde{M}_μ} is given by the functions $x^\mu, \dots, x^\mu (\log x)^{\tilde{M}_\mu}$ on $N^+\partial X$, where x here is the global coordinate on $N^+\partial X \equiv \partial X \times \mathbb{R}_1^1$ induced by V .

The trace map \mathbf{A}_L for L is the operator

$$\mathbf{A}_L : \dot{C}^\infty(X) \rightarrow C^\infty(\partial X; \mathbf{E}_L)$$

sending a function $u \in x^\delta H_b^\infty(X)$ to the coefficients $\{w_{\mu, l} : \mu \text{ critical}, l \leq \tilde{M}_\mu\}$ of the expansion of $P_1 u$,

$$P_1 u \sim \sum_{\substack{(\alpha, l) \in \mathcal{E}_{\text{lf}} \\ \Re(\alpha) > \delta}} w_{\alpha, l} x^\alpha (\log x)^l,$$

computed with respect to the choice of the auxiliary vector field V . Note that, by construction, we have $\mathbf{A}_L P_1 = \mathbf{A}_L$. Calling $\text{tr}_{\mu, \tilde{M}_\mu}^V : \mathcal{A}_{\text{phg}}^{\mathcal{E}_{\text{lf}}}(X) \rightarrow C^\infty(\partial X; E_{\mu, \tilde{M}_\mu})$ the map sending a function $u \in \mathcal{A}_{\text{phg}}^{\mathcal{E}_{\text{lf}}}(X)$ to the log-homogeneous term of degree $\leq (\mu, \tilde{M}_\mu)$ in the expansion of u relative to V , and enumerating the critical indicial roots μ_1, \dots, μ_I , we can write in terms of the decomposition $\mathbf{E}_L = \bigoplus_i E_{\mu_i, \tilde{M}_{\mu_i}}$

$$\mathbf{A}_L = \begin{pmatrix} \text{tr}_{\mu_1, \tilde{M}_{\mu_1}}^V \circ P_1 \\ \vdots \\ \text{tr}_{\mu_I, \tilde{M}_{\mu_I}}^V \circ P_1 \end{pmatrix}.$$

In §6.2, we will prove that \mathbf{A}_L is a twisted symbolic 0-trace operator. More precisely, denote by $\mathfrak{s}_L : \mathbf{E}_L \rightarrow \mathbf{E}_L$ the smooth endomorphism of \mathbf{E}_L induced by the fibrewise action of $x\partial_x$ (the canonical dilation invariant vector field on $N^+\partial X$ tangent to the fibers) on the space of log-homogeneous functions on $N^+\partial X$. We will prove the following

Theorem 6.1. $\mathbf{A}_L \in \hat{\Psi}_{\text{tr}}^{-\infty, (\mathcal{E}_{\text{rf}}, [0]), -\mathfrak{s}_L}(X; \partial X, \mathbf{E}_L)$.

We can now formulate the precise notion of elliptic boundary condition:

Definition 6.2. Let $\mathbf{W} \rightarrow \partial X$ be a smooth vector bundle equipped with an endomorphism $\mathfrak{t} : \mathbf{W} \rightarrow \mathbf{W}$ with constant eigenvalues. An *elliptic boundary condition* for L relative to the weight δ is a twisted boundary operator $\mathbf{Q} \in \Psi_{\text{phg}}^{[0], (-\mathfrak{s}_L, \mathfrak{t})}(\partial X; \mathbf{E}_L, \mathbf{W})$ such that, for every $\eta \in T^*\partial X \setminus 0$, the principal symbol $\sigma_\eta(\mathbf{Q}) : (\pi^*\mathbf{E}_L)_\eta \rightarrow (\pi^*\mathbf{W})_\eta$ restricts to an isomorphism $\mathcal{C} \rightarrow (\pi^*\mathbf{W})_\eta$, where \mathcal{C} is the Calderón bundle for L relative to the weight δ (cf. §3.1).

The main result of the paper is the following

Theorem 6.3. Let $\mathbf{Q} \in \Psi_{\text{phg}}^{[0], (-\mathfrak{s}_L, \mathfrak{t})}(\partial X; \mathbf{E}_L, \mathbf{W})$ be an elliptic boundary condition for L relative to δ . Define $\mathcal{L} = (L \quad \mathbf{Q}\mathbf{A}_L)^T$. Then there exist operators $G_1, G_2 \in \Psi_0^{-m, \mathcal{H}}(X)$, with

$$\begin{aligned} \Re(\mathcal{H}_{\text{lf}}) &> \delta \\ \Re(\mathcal{H}_{\text{rf}}) &> -\delta - 1 \\ [\mathcal{H}_{\text{ff}_0}] &= 0, \end{aligned}$$

and twisted symbolic 0-Poisson operator $\mathbf{C}_1, \mathbf{C}_2 \in \hat{\Psi}_{\text{P}}^{-\infty, (\mathcal{E}_{\text{lf}}, [0]), \mathfrak{t}}(\partial X, \mathbf{W}; X)$, such that:

(1) $\mathcal{G}_1 := (G_1 \quad C_1)$ is a left parametrix for \mathcal{L} , satisfying

$$\mathcal{G}_1 \mathcal{L} = I - R$$

where R is a very residual operator in $\Psi^{-\infty, (\mathcal{E}_{\text{lf}}, \mathcal{E}_{\text{rf}})}(X)$;

(2) $\mathcal{G}_2 := (G_2 \quad C_2)$ is a right parametrix for \mathcal{L} , satisfying

$$\mathcal{L} \mathcal{G}_2 = I - \begin{pmatrix} R' & \\ & S \end{pmatrix},$$

where R' is a very residual operator in $\Psi^{-\infty, (\mathcal{F}_{\text{lf}}, \mathcal{F}_{\text{rf}})}(X)$, and $S \in \Psi^{-\infty}(\partial X; \mathbf{W})$ is a smoothing operator on the boundary.

This theorem implies two corollaries. One is a Fredholm theorem:

Corollary 6.4. *Let \mathbf{Q} be an elliptic boundary condition for L relative to the weight δ , as in Theorem 6.3. Then the map*

$$\mathcal{L} = L \oplus \mathbf{Q} \mathbf{A}_L : x^\delta H_0^{k+m}(X) \rightarrow x^\delta H_0^k(X) \oplus H^t(\partial X; \mathbf{W})$$

is Fredholm.

The other is a simple regularity result for solutions of 0-elliptic boundary value problems.

Corollary 6.5. *Let \mathbf{Q} be an elliptic boundary condition for L relative to the weight δ , as in Theorem 6.3. Suppose that $u \in x^\delta H_0^m(X)$ is a solution of the boundary value problem*

$$\begin{cases} Lu & = v \\ \mathbf{Q} \mathbf{A}_L u & = \varphi \end{cases},$$

where v is $o(x^\delta)$ polyhomogeneous, and $\varphi \in C^\infty(\partial X; \mathbf{W})$. Then u is $o(x^\delta)$ polyhomogeneous.

6.1. The orthogonal projector onto the kernel of L . As mentioned above, from [Maz91] we know that the orthogonal projector P_1 onto the $x^\delta L_b^2$ kernel of L is an element of the large residual 0-calculus. In this subsection, we improve this result by showing that P_1 is in fact a 0-interior operator. This property will be important in §6.2 to prove that \mathbf{A}_L is a twisted 0-trace operator.

The proof relies on the composition Theorem 5.19, and on the fact that P_1 , being a projector, is idempotent.

Lemma 6.6. *The projector P_1 is in $\hat{\Psi}_{0b}^{-\infty, (\mathcal{E}_{\text{lf}}, \mathcal{E}_{\text{rf}}, \mathcal{I}_{\text{ff}_b}, \mathcal{I}_{\text{ff}_0})}(X)$, where $[\mathcal{I}_{\text{ff}_0}] = 0$ and $\Re(\mathcal{I}_{\text{ff}_b}) > 0$.*

Proof. We know that $P_1 \in \Psi_0^{-\infty, \mathcal{E}}(X)$, where $\mathcal{E}_{\text{ff}_0} = \mathbb{N} \cup \mathcal{I}$ with $\Re(\mathcal{I}) > n$. Moreover, we know from §5.19 that the Bessel family $\hat{N}(P_1)$ of P_1 is a section of $\pi^* \Psi^{-\infty, (\mathcal{E}_{\text{lf}}, \mathcal{E}_{\text{rf}})}(N^+ \partial X)$ over $T^* \partial X \setminus 0$, fibrewise homogeneous of degree 0. Therefore, $\hat{N}(P_1)$ can be realized as the Bessel family of a 0-interior operator $Q \in \hat{\Psi}_0^{-\infty, (\mathcal{E}_{\text{lf}}, \mathcal{E}_{\text{rf}}, 0)}(X)$. Now, by Corollary 4.22, we have $Q \in \Psi_0^{-\infty, (\mathcal{E}_{\text{lf}}, \mathcal{E}_{\text{rf}}, \mathcal{I}'_{\text{ff}_0})}(X)$, where $\mathcal{I}'_{\text{ff}_0} = \mathbb{N} \cup (\mathcal{E}_{\text{lf}} + \mathcal{E}_{\text{rf}} + n + 1)$. In particular, since $\Re(\mathcal{E}_{\text{lf}}) > \delta$ and $\Re(\mathcal{E}_{\text{rf}}) > -\delta - 1$, we have $\mathcal{I}'_{\text{ff}_0} = \mathbb{N} \cup \mathcal{I}$ for some \mathcal{I} with $\Re(\mathcal{I}) > n$, and therefore $[\mathcal{I}'_{\text{ff}_0}] = 0$. Moreover, by construction, P_1 and Q have the same Bessel family, and therefore they have the same normal family. This implies that $R := P_1 - Q \in \Psi_0^{-\infty, (\mathcal{E}_{\text{lf}}, \mathcal{E}_{\text{rf}}, \mathcal{I}_{\text{ff}_0} \setminus \{0\})}(X)$, where $\mathcal{I}_{\text{ff}_0}$ is the smallest index set containing $\mathcal{I}'_{\text{ff}_0}$ and $\mathcal{E}_{\text{ff}_0}$. Now, by the Pull-back Theorem, we have $R \in \Psi_{0b}^{-\infty, (\mathcal{E}_{\text{lf}}, \mathcal{E}_{\text{rf}}, \mathcal{E}_{\text{lf}} + \mathcal{E}_{\text{rf}} + 1, \mathcal{I}_{\text{ff}_0} \setminus \{0\})}(X)$, and again by Corollary 4.22, we then have $R \in \hat{\Psi}_{0b}^{-\infty, (\mathcal{E}_{\text{lf}}, \mathcal{E}_{\text{rf}}, \mathcal{I}_{\text{ff}_b}, \mathcal{I}_{\text{ff}_0} \setminus \{0\})}(X)$, where $\mathcal{I}_{\text{ff}_b} = (\mathcal{E}_{\text{lf}} + \mathcal{E}_{\text{rf}} + 1) \cup (\mathcal{I}_{\text{ff}_0} \setminus \{0\})$. Note that $\Re(\mathcal{I}_{\text{ff}_b}) > 0$. Finally, we can write $P_1 = R + Q$, and since $Q \in \hat{\Psi}_0^{-\infty, (\mathcal{E}_{\text{lf}}, \mathcal{E}_{\text{rf}}, 0)}(X) \subseteq \hat{\Psi}_{0b}^{-\infty, (\mathcal{E}_{\text{lf}}, \mathcal{E}_{\text{rf}}, \mathcal{E}_{\text{lf}} + \mathcal{E}_{\text{rf}} + 1, 0)}(X)$, we obtain $P_1 \in \hat{\Psi}_{0b}^{-\infty, (\mathcal{E}_{\text{lf}}, \mathcal{E}_{\text{rf}}, \mathcal{I}_{\text{ff}_b}, \mathcal{I}_{\text{ff}_0})}(X)$. \square

Lemma 6.7. *Let $f(x, \tilde{x}, \eta) \in \mathcal{A}^{(a, b, a+b, c, \infty, \infty, \infty)}(\hat{M}_{0b}^2)$ for some real numbers a, b, c . Then $f(x, \tilde{x}, \eta)$ is conormal on the blow-down space \hat{M}_0^2 , and more precisely $f(x, \tilde{x}, \eta) \in \mathcal{A}^{(a, b, c, \infty, \infty, \infty)}(\hat{M}_0^2)$.*

Proof. This is similar to the first part of the proof of Proposition 4.18. Let $r_{\mathbf{lf}}, r_{\mathbf{rf}}, r_{\mathbf{ff}_0}$ be boundary defining functions for the respective faces of \hat{M}_0^2 . Then there are boundary defining functions $\tilde{r}_{\mathbf{lf}}, \tilde{r}_{\mathbf{rf}}, \tilde{r}_{\mathbf{ff}_b}$ for the corresponding faces of \hat{M}_{0b}^2 such that $r_{\mathbf{lf}}$ lifts to $\tilde{r}_{\mathbf{lf}}\tilde{r}_{\mathbf{ff}_b}$ and $r_{\mathbf{rf}}$ lifts to $\tilde{r}_{\mathbf{rf}}\tilde{r}_{\mathbf{ff}_b}$. Moreover, $r_{\mathbf{ff}_0}$ lifts to a boundary defining function for \mathbf{ff}_0 on \hat{M}_{0b}^2 , which we still call $r_{\mathbf{ff}_0}$. Now, if $f \in \mathcal{A}^{(a,b,a+b,c,\infty,\infty,\infty)}(\hat{M}_{0b}^2)$, then $r_{\mathbf{lf}}^{-a}r_{\mathbf{rf}}^{-b}r_{\mathbf{ff}_0}^{-c}f \in \mathcal{A}^{(0,0,0,0,\infty,\infty,\infty)}(\hat{M}_{0b}^2) \subseteq L^\infty(\hat{M}_0^2)$. If we hit $r_{\mathbf{lf}}^{-a}r_{\mathbf{rf}}^{-b}r_{\mathbf{ff}_0}^{-c}f$ with any number of b -vector fields on \hat{M}_0^2 , this estimate persists because (since \hat{M}_{0b}^2 is obtained from \hat{M}_0^2 by blowing up a corner) b -vector fields on \hat{M}_0^2 lift to b -vector fields on \hat{M}_{0b}^2 . Therefore, $r_{\mathbf{lf}}^{-a}r_{\mathbf{rf}}^{-b}r_{\mathbf{ff}_0}^{-c}f \in \mathcal{A}^{(0,0,0,\infty,\infty,\infty)}(\hat{M}_0^2)$, which is equivalent to $f \in \mathcal{A}^{(a,b,c,\infty,\infty,\infty)}(\hat{M}_0^2)$. \square

Theorem 6.8. *The projector P_1 is in $\hat{\Psi}_0^{-\infty,(\mathcal{E}_{\mathbf{lf}},\mathcal{E}_{\mathbf{rf}},\mathcal{I}_{\mathbf{ff}_0})}(X)$, where $\mathcal{I}_{\mathbf{ff}_0}$ is an index set with $[\mathcal{I}_{\mathbf{ff}_0}] = 0$.*

Proof. The idea of the proof is quite similar to the proof of Proposition 4.18. For every $m \in \mathbb{R}$, define

$$Q_{\delta+m} = \prod_{\substack{(\alpha,l) \in \mathcal{E}_{\mathbf{lf}} \\ \Re(\alpha) \leq \delta+m}} (xV - \alpha)$$

where V, x are the auxiliary vector field and boundary defining function chosen at the beginning of the section. We will show that, for every m , we have

$$Q_{\delta+m}P_1 \in \hat{\Psi}_{0b}^{-\infty,(\mathcal{E}_{\mathbf{lf}}(\delta+m),\mathcal{E}_{\mathbf{rf}},\mathcal{I}_m,\mathcal{I}_{\mathbf{ff}_0})}(X),$$

where $\mathcal{E}_{\mathbf{lf}}(\delta+m) = \{(\alpha,l) \in \mathcal{E}_{\mathbf{lf}} : \Re(\alpha) > \delta+m\}$, \mathcal{I}_m is an index set with $\Re(\mathcal{I}_m) > m$, and $[\mathcal{I}_{\mathbf{ff}_0}] = 0$. Taking adjoints with respect to the $x^\delta L_b^2$ inner product induced by x, ω , from self-adjointness of P_1 we get

$$P_1 Q_{\delta+m}^\dagger \in \hat{\Psi}_{0b}^{-\infty,(\mathcal{E}_{\mathbf{lf}},\mathcal{E}_{\mathbf{rf}}(-\delta-1+m),\mathcal{I}_m,\mathcal{I}_{\mathbf{ff}_0})}(X),$$

where again $\mathcal{E}_{\mathbf{rf}}(-\delta-1+m) = \{(\alpha,l) \in \mathcal{E}_{\mathbf{rf}} : \Re(\alpha) > \delta+m\}$ and $\Re(\mathcal{I}_m) > m$. We will show that this implies that $P_1 \in \hat{\Psi}_0^{-\infty,(\mathcal{E}_{\mathbf{lf}},\mathcal{E}_{\mathbf{rf}},\mathcal{I}_{\mathbf{ff}_0})}(X)$.

Since $P_1 \in \Psi_0^{-\infty,(\mathcal{E}_{\mathbf{lf}},\mathcal{E}_{\mathbf{rf}},\mathcal{E}_{\mathbf{ff}_0})}(X)$, we have $Q_{\delta+m}P_1 \in \Psi_0^{-\infty,(\mathcal{E}_{\mathbf{lf}}(\delta+m),\mathcal{E}_{\mathbf{rf}},\mathcal{E}_{\mathbf{ff}_0})}(X)$. Indeed, by design, the 0-differential operator $Q_{\delta+m}$ lifts to X_0^2 from the left and kills all the terms with $\Re(\alpha) \leq m$ in the expansion of a polyhomogeneous function on X_0^2 with index set $\mathcal{E}_{\mathbf{lf}}$ at the left face. Moreover, the Bessel family of $Q_{\delta+m}P_1$ is $\hat{N}(Q_{\delta+m})\hat{N}(P_1)$, hence it is again a section of $\pi^*\Psi^{-\infty,(\mathcal{E}_{\mathbf{lf}}(\delta+m),\mathcal{E}_{\mathbf{rf}})}(N+\partial X)$. Arguing exactly as in the proof of Lemma 6.6, we can prove that $Q_{\delta+m}P_1 \in \hat{\Psi}_{0b}^{-\infty,(\mathcal{E}_{\mathbf{lf}}(\delta+m),\mathcal{E}_{\mathbf{rf}},\mathcal{I}_{\mathbf{ff}_b},\mathcal{E}_{\mathbf{ff}_0})}(X)$ where $\mathcal{I}_{\mathbf{ff}_b}$ is an index set with $\Re(\mathcal{I}_{\mathbf{ff}_b}) > 0$. Now we use the fact that $P_1 = P_1^2$, so $Q_{\delta+m}P_1 = (Q_{\delta+m}P_1)P_1$. By the composition Theorem 5.19, we can improve the index set at \mathbf{ff}_b and obtain that $(Q_{\delta+m}P_1)P_1 \in \hat{\Psi}_{0b}^{-\infty,(\mathcal{E}_{\mathbf{lf}}(\delta+m),\mathcal{E}_{\mathbf{rf}},\mathcal{J},\mathcal{E}_{\mathbf{ff}_0})}(X)$, where $\mathcal{J} = (\mathcal{I}_{\mathbf{ff}_b} + \mathcal{I}_{\mathbf{ff}_b}) \cup (\mathcal{E}_{\mathbf{lf}}(\delta+m) + \mathcal{E}_{\mathbf{rf}} + 1)$. This is an improvement in the following sense: since $\Re(\mathcal{E}_{\mathbf{lf}}(\delta+m)) > \delta+m$ and $\Re(\mathcal{E}_{\mathbf{rf}}) > -\delta-1$, we have $\Re(\mathcal{E}_{\mathbf{lf}}(\delta+m) + \mathcal{E}_{\mathbf{rf}} + 1) > m$; therefore, if $\Re(\mathcal{I}_{\mathbf{ff}_b}) > \varepsilon$, we have $\Re(\mathcal{J}) > \min(2\varepsilon, m)$. But now we can iterate the procedure, until we indeed get $Q_{\delta+m}P_1 \in \hat{\Psi}_{0b}^{-\infty,(\mathcal{E}_{\mathbf{lf}}(\delta+m),\mathcal{E}_{\mathbf{rf}},\mathcal{I}_m,\mathcal{E}_{\mathbf{ff}_0})}(X)$ for some index set \mathcal{I}_m with $\Re(\mathcal{I}_m) > m$. Taking adjoints, we get $P_1 Q_{\delta+m}^\dagger \in \hat{\Psi}_{0b}^{-\infty,(\mathcal{E}_{\mathbf{lf}},\mathcal{E}_{\mathbf{rf}}(-\delta-1+m),\mathcal{I}_m,\mathcal{I}_{\mathbf{ff}_0})}(X)$ as well.

Now, choose an atlas (U_i, φ_i) for ∂X , let $[0, \varepsilon) \times \partial X \hookrightarrow X$ be the collar of ∂X in X induced by V , and let $U'_i = [0, \varepsilon)' \times U_i$. We can then decompose

$$P_1 = \sum_i P_{1,i} + R,$$

where $P_{1,i}$ is compactly supported on $U'_i \times U'_i$, in the coordinates (x, y) associated to the chart (U_i, φ_i) we have

$$P_{1,i} = \text{Op}_L^{\text{int}}(p_i(y; x, \tilde{x}, \eta))$$

for some 0-interior symbol

$$p_i(y; x, \tilde{x}, \eta) \in S_{0b,S}^{-\infty,(\mathcal{E}_{\mathbf{lf}},\mathcal{E}_{\mathbf{rf}},\mathcal{I}_{\mathbf{ff}_b},\mathcal{I}_{\mathbf{ff}_0})}(\mathbb{R}^n; \mathbb{R}_1^{n+1}),$$

and R is compactly supported in the complement of a closed neighborhood of $\partial\Delta$ in X^2 . From the decomposition above, a priori we would have $R \in \Psi_b^{-\infty, (\mathcal{E}_{\text{if}}, \mathcal{E}_{\text{rf}}, \mathcal{I}_{\mathbf{ff}_b})} (X)$. However, we know already that $P_1 \in \Psi_0^{-\infty, (\mathcal{E}_{\text{if}}, \mathcal{E}_{\text{rf}}, \mathcal{E}_{\mathbf{ff}_0})} (X)$, so in fact R agrees with a very residual operator far away from $\partial\Delta$. The only problem could a priori arise in the intersection between the open set $\bigcup_i U'_i \times U'_i$ and the support of R , where the expansion of κ_R at \mathbf{ff}_b has to make up for the expansions at \mathbf{ff}_b of the lifted Schwartz kernels $\kappa_{P_{1,i}}$. However, if we can prove that the symbols $p_i(y; x, \tilde{x}, \eta)$ are in fact 0 -interior symbols, then we can conclude that $P_{1,i}$ coincides with a very residual operator away from $\partial\Delta$ as well, and therefore $R \in \Psi^{-\infty, (\mathcal{E}_{\text{if}}, \mathcal{E}_{\text{rf}})} (X)$.

Let's prove that $p_i(y; x, \tilde{x}, \eta) \in S_{0,S}^{-\infty, (\mathcal{E}_{\text{if}}, \mathcal{E}_{\text{rf}}, \mathcal{I}_{\mathbf{ff}_0})} (\mathbb{R}^n; \mathbb{R}_1^{n+1})$. Since $Q_{\delta+m}P_1 \in \hat{\Psi}_{0b}^{-\infty, (\mathcal{E}_{\text{if}}(\delta+m), \mathcal{E}_{\text{rf}}, \mathcal{I}_m, \mathcal{I}_{\mathbf{ff}_0})} (X)$, the symbol $Q_{\delta+m}p_i$ is in $S_{0b,S}^{-\infty, (\mathcal{E}_{\text{if}}(\delta+m), \mathcal{E}_{\text{rf}}, \mathcal{I}_m, \mathcal{I}_{\mathbf{ff}_0})} (\mathbb{R}^n; \mathbb{R}_1^{n+1})$. Since $P_{1,i}$ is supported on $U'_i \times U'_i$, which is contained in the collar induced by V , in these coordinates we have

$$\begin{aligned} Q_{\delta+m}p_i &= \prod_{\substack{(\alpha, l) \in \mathcal{E}_{\text{if}} \\ \Re(\alpha) \leq \delta+m}} (x\partial_x - \alpha) p_i \\ &\in S_{0b,S}^{-\infty, (\mathcal{E}_{\text{if}}(\delta+m), \mathcal{E}_{\text{rf}}, \mathcal{I}_m, \mathcal{I}_{\mathbf{ff}_0})} (\mathbb{R}^n; \mathbb{R}_1^{n+1}). \end{aligned}$$

Similarly, the fact that $P_1Q_{\delta+m}^\dagger \in \hat{\Psi}_{0b}^{-\infty, (\mathcal{E}_{\text{if}}, \mathcal{E}_{\text{rf}}(-\delta-1+m), \mathcal{I}_m, \mathcal{I}_{\mathbf{ff}_0})} (X)$ implies that

$$\begin{aligned} \tilde{Q}_{-\delta-1+m}p_i &= \prod_{\substack{(\alpha, l) \in \mathcal{E}_{\text{rf}} \\ \Re(\alpha) \leq -\delta-1+m}} (\tilde{x}\partial_{\tilde{x}} - \alpha) p_i \\ &\in S_{0b,S}^{-\infty, (\mathcal{E}_{\text{if}}, \mathcal{E}_{\text{rf}}(-\delta-1+m), \mathcal{I}_m, \mathcal{I}_{\mathbf{ff}_0})} (\mathbb{R}^n; \mathbb{R}_1^{n+1}). \end{aligned}$$

The rest of the proof is very similar to that of Proposition 4.18. We have

$$\begin{aligned} Q_{\delta+m}p_i &\in \mathcal{S}(\mathbb{R}^n) \otimes \mathcal{A}_{\text{phg}}^{(\mathcal{E}_{\text{if}}(\delta+m), \mathcal{E}_{\text{rf}}, \mathcal{I}_m-1, \mathcal{I}_{\mathbf{ff}_0}-1, \infty, \infty, \infty)} (\hat{M}_{0b}^2) \\ &\subseteq \mathcal{S}(\mathbb{R}^n) \otimes \mathcal{A}^{(\delta+m, -\delta-1, m-1, -1, \infty, \infty, \infty)} (\hat{M}_{0b}^2) \\ &\subseteq \mathcal{S}(\mathbb{R}^n) \otimes \mathcal{A}^{(\delta+m, -\delta-1, -1, \infty, \infty, \infty)} (\hat{M}_0^2) \end{aligned}$$

where in the last inclusion we used Lemma 6.7. Similarly, we obtain

$$\tilde{Q}_{-\delta-1+m}p_i \in \mathcal{S}(\mathbb{R}^n) \otimes \mathcal{A}^{(\delta, -\delta-1+m, -1, \infty, \infty, \infty)} (\hat{M}_0^2).$$

Finally, choosing a vector field W on \hat{M}_0^2 transversal to \mathbf{ff}_0 and inward-pointing, and tangent to the other faces, and calling

$$S_\lambda = \prod_{\substack{(\alpha, l) \in \mathcal{I}_{\mathbf{ff}_0}-1 \\ \Re(\alpha) \leq \lambda}} (r_{\mathbf{ff}_0}W - \alpha),$$

we have

$$S_\lambda p_i \in \mathcal{S}(\mathbb{R}^n) \otimes \mathcal{A}^{(\delta, -\delta-1, \lambda, \infty, \infty, \infty)} (\hat{M}_0^2).$$

These results together ensure that

$$\begin{aligned} p_i &\in \mathcal{S}(\mathbb{R}^n) \hat{\otimes} \mathcal{A}_{\text{phg}}^{(\mathcal{E}_{\text{if}}, \mathcal{E}_{\text{rf}}, \mathcal{I}_{\mathbf{ff}_0}-1, \infty, \infty, \infty)} (\hat{M}_0^2) \\ &= S_{0,S}^{-\infty, (\mathcal{E}_{\text{if}}, \mathcal{E}_{\text{rf}}, \mathcal{I}_{\mathbf{ff}_0})} (\mathbb{R}^n; \mathbb{R}_1^{n+1}). \end{aligned}$$

□

6.2. The trace map for L . We can now prove that the trace map \mathbf{A}_L is a twisted symbolic 0-trace operator.

Theorem 6.9. \mathbf{A}_L is a twisted symbolic 0-trace operator in $\hat{\Psi}_{0\text{tr}}^{-\infty, (\mathcal{E}_{\text{rf}}, [0]), -s_L}(X; \partial X, \mathbf{E}_L)$. Moreover, $\hat{N}(\mathbf{A}_L) \equiv \hat{\mathbf{a}}_L$, where $\hat{\mathbf{a}}_L$ is the Bessel trace map constructed in §6.1.

Proof. Enumerating the critical indicial roots μ^1, \dots, μ^I , write

$$\mathbf{A}_L = \begin{pmatrix} \text{tr}_{\mu^1, \tilde{M}_{\mu^1}}^V \\ \vdots \\ \text{tr}_{\mu^I, \tilde{M}_{\mu^I}}^V \end{pmatrix} P_1.$$

Given this decomposition, we can assume without loss of generality that there is only one critical indicial root μ , so that $\tilde{M}_\mu = M_\mu$ is the multiplicity of μ , and $\mathbf{A}_L = \text{tr}_{\mu, M_\mu}^V \circ P_1$.

Now, choose an atlas (U_i, φ_i) for ∂X , let $[0, \varepsilon) \times \partial X \hookrightarrow X$ be the collar of ∂X in X induced by V , and let $U'_i = [0, \varepsilon) \times U_i$. From Theorem 6.8, we have $P_1 \in \hat{\Psi}_0^{-\infty, (\mathcal{E}_{\text{if}}, \mathcal{E}_{\text{rf}}, \mathcal{I}_{\mathbb{F}_0})}(X)$ with $[\mathcal{I}_{\mathbb{F}_0}] = 0$. We can then decompose

$$P_1 = \sum_i P_{1,i} + R,$$

where $P_{1,i}$ is compactly supported on $U'_i \times U'_i$, in the coordinates (x, y) associated to the chart (U_i, φ_i) we have

$$P_{1,i} = \text{Op}_L^{\text{int}}(p_i(y; x, \tilde{x}, \eta))$$

for some 0-interior symbol

$$p_i(y; x, \tilde{x}, \eta) \in S_{0,S}^{-\infty, (\mathcal{E}_{\text{if}}, \mathcal{E}_{\text{rf}}, \mathcal{I}_{\mathbb{F}_0})}(\mathbb{R}^n; \mathbb{R}_1^{n+1}),$$

and R is very residual in $\Psi^{-\infty, (\mathcal{E}_{\text{if}}, \mathcal{E}_{\text{rf}})}(X)$.

The composition $\text{tr}_{\mu, M_\mu}^V \circ R$ has Schwartz kernel $\text{tr}_{\mu, M_\mu}^{\pi_L^* V} K_R$, where $\pi_L^* V$ is the lift from the left of V to X^2 . Since $K_R \in \mathcal{A}_{\text{phg}}^{(\mathcal{E}_{\text{if}}, \mathcal{E}_{\text{rf}})}(X^2; \pi_R^* \mathcal{D}_X^1)$, we have $\text{tr}_{\mu, M_\mu}^{\pi_L^* V} K_R \in \mathcal{A}_{\text{phg}}^{\mathcal{E}_{\text{rf}}}(\partial X \times X; \pi_L^* E_L \otimes \pi_R^* \mathcal{D}_X^1)$, which means that $\text{tr}_{\mu, M_\mu}^V \circ R$ is very residual trace in $\Psi_{\text{tr}}^{-\infty, \mathcal{E}_{\text{of}}}(X; \partial X, \mathbf{E}_L)$. Here we are tacitly identifying the inward-pointing normal bundle $N^+(\partial X \times X)$ of the left face of X^2 with the pull-back $\pi_L^* N^+ \partial X$ of the inward-pointing normal bundle of ∂X in X via the projection $\pi_L : X^2 \rightarrow X$.

Now let's consider the terms $\text{tr}_{\mu, M_\mu}^V \circ P_{1,i}$. It is convenient to consider the symbols $p_i(y; x, \tilde{x}, \eta)$ as polyhomogeneous functions on $\overline{\mathbb{R}}^n \times \hat{D}_0^2$, where $\hat{D}_0^2 \equiv \overline{\mathbb{R}}_2^2 \times \overline{\mathbb{R}}^n$ is the alternative compactification of $\hat{M}_0^2 \setminus (\mathbf{if}_\eta \cup \mathbf{if}_x \cup \mathbf{if}_{\tilde{x}})$ used in the proof of Theorem 5.11 and depicted in Figure 5.3. There, we observed that introducing the variables $\tau = x \langle \eta \rangle$ and $\tilde{\tau} = \tilde{x} \langle \eta \rangle$, the map

$$\begin{aligned} \varphi : \mathbb{R}_2^2 \times \mathbb{R}^n &\rightarrow \mathbb{R}_2^2 \times \mathbb{R}^n \\ (\tau, \tilde{\tau}, \eta) &\mapsto (\langle \eta \rangle^{-1} \tau, \langle \eta \rangle^{-1} \tilde{\tau}, \eta) \end{aligned}$$

induces (by pull-back) an identification

$$\varphi^* : \mathcal{A}_{\text{phg}}^{(\mathcal{E}_{\text{if}}, \mathcal{E}_{\text{rf}}, \mathcal{I}_{\mathbb{F}_0} - 1, \infty, \infty, \infty)}(\hat{M}_0^2) \rightarrow \mathcal{A}_{\text{phg}}^{(\mathcal{E}_{\text{if}}, \mathcal{E}_{\text{rf}}, \mathcal{I}_{\mathbb{F}_0} - 1, \infty)}(\hat{D}_0^2).$$

In other words, if $p(x, \tilde{x}, \eta) \in \mathcal{A}_{\text{phg}}^{(\mathcal{E}_{\text{if}}, \mathcal{E}_{\text{rf}}, \mathcal{I}_{\mathbb{F}_0} - 1, \infty, \infty, \infty)}(\hat{M}_0^2)$, then calling $p' := \varphi^* p$ we have

$$p'(\tau, \tilde{\tau}, \eta) \in \mathcal{A}_{\text{phg}}^{(\mathcal{E}_{\text{if}}, \mathcal{E}_{\text{rf}}, \mathcal{I}_{\mathbb{F}_0} - 1, \infty)}(\hat{D}_0^2) = \mathcal{A}_{\text{phg}}^{(\mathcal{E}_{\text{if}}, \mathcal{E}_{\text{rf}}, \infty)}(\overline{\mathbb{R}}_2^2) \hat{\otimes} \mathcal{A}_{\text{phg}}^{\mathcal{I}_{\mathbb{F}_0} - 1}(\overline{\mathbb{R}}^n).$$

Therefore, we have

$$a'(\tilde{\tau}, \eta) := \left(\text{tr}_{\mu, M_\mu}^{\partial_\tau} p' \right)(\tilde{\tau}, \eta) \in \mathcal{A}_{\text{phg}}^{(\mathcal{E}_{\text{rf}}, \infty)}(\overline{\mathbb{R}}_1^1) \hat{\otimes} \mathcal{A}_{\text{phg}}^{\mathcal{I}_{\mathbb{F}_0} - 1}(\overline{\mathbb{R}}^n).$$

Note that the left face of \hat{D}_0^2 , identified with $\overline{\mathbb{R}}_1^1 \times \overline{\mathbb{R}}^n$ by the coordinates τ, η , can be seen as an alternative compactification of $\hat{T}_0^2 \setminus (\mathbf{if}_\eta \cup \mathbf{if}_{\tilde{x}})$; moreover, the restriction φ_{if} of φ to the left faces determines an identification

$$\varphi_{\text{if}}^* : \mathcal{A}_{\text{phg}}^{(\mathcal{E}_{\text{rf}}, \mathcal{I}_{\mathbb{F}_0} - 1, \infty, \infty)}(\hat{T}_0^2) \rightarrow \mathcal{A}_{\text{phg}}^{(\mathcal{E}_{\text{rf}}, \mathcal{I}_{\mathbb{F}_0} - 1, \infty)}(\mathbf{if}(\hat{D}_0^2)).$$

Thus, the distribution $a(\tilde{x}, \eta) := a'(\tilde{x}(\eta), \eta)$ lifts to an element of $\mathcal{A}_{\text{phg}}^{(\mathcal{E}_{\text{rf}}, \mathcal{I}_{\text{ff}_0}^{-1, \infty, \infty})}(\hat{T}_0^2)$. Now, if $u(\tilde{x}) \in \dot{C}^\infty(\overline{\mathbb{R}}_1^1)$, using Lemma 3.16 we have

$$\begin{aligned} & \text{tr}_{\mu, M_\mu}^{\partial_x} \left(\int p(x, \tilde{x}, \eta) u(\tilde{x}) d\tilde{x} \right) \\ &= \text{tr}_{\mu, M_\mu}^{\partial_x} \int p(x, \langle \eta \rangle^{-1} \tilde{\tau}, \eta) u(\langle \eta \rangle^{-1} \tilde{\tau}) \langle \eta \rangle^{-1} d\tilde{\tau} \\ &= \int \text{tr}_{\mu, M_\mu}^{\partial_x} (p'(\langle \eta \rangle x, \tilde{\tau}, \eta)) u(\langle \eta \rangle^{-1} \tilde{\tau}) \langle \eta \rangle^{-1} d\tilde{\tau} \\ &= \int \text{tr}_{\mu, M_\mu}^{\partial_x} \left((\lambda_{\langle \eta \rangle}^* p') (x, \tilde{\tau}, \eta) \right) u(\langle \eta \rangle^{-1} \tilde{\tau}) \langle \eta \rangle^{-1} d\tilde{\tau} \\ &= \int \langle \eta \rangle^{\mathfrak{s}_{\mu, M_\mu}} \left(\text{tr}_{\mu, M_\mu}^{\partial_\tau} (p'(\tau, \tilde{\tau}, \eta)) \right) u(\langle \eta \rangle^{-1} \tilde{\tau}) \langle \eta \rangle^{-1} d\tilde{\tau} \\ &= \int \langle \eta \rangle^{\mathfrak{s}_{\mu, M_\mu}} a'(\tilde{\tau}, \eta) u(\langle \eta \rangle^{-1} \tilde{\tau}) \langle \eta \rangle^{-1} d\tilde{\tau} \\ &= \int \langle \eta \rangle^{\mathfrak{s}_{\mu, M_\mu}} a(\tilde{x}, \eta) u(\tilde{x}) d\tilde{x}. \end{aligned}$$

Applying this argument to $P_{1,i}$ in the coordinates induced by the chosen chart, we see that for every $u(x, y) \in \dot{C}^\infty(\overline{\mathbb{R}}_1^1 \times \overline{\mathbb{R}}^n)$ we have

$$\begin{aligned} \text{tr}_{\mu, M_\mu}^{\partial_x} (P_{1,i} u) &= \frac{1}{(2\pi)^n} \int e^{iy\eta} \langle \eta \rangle^{\mathfrak{s}_{\mu, M_\mu}} a(y; \tilde{x}, \eta) \hat{u}(\tilde{x}, \eta) d\tilde{x} d\eta \\ &= \text{Op}_L^{\text{tr}}(\langle \eta \rangle^{\mathfrak{s}_{\mu, M_\mu}} a(y; \tilde{x}, \eta)) u, \end{aligned}$$

where

$$\begin{aligned} a(y; \tilde{x}, \eta) &\in \mathcal{S}(\mathbb{R}^n) \hat{\otimes} \mathcal{A}_{\text{phg}}^{(\mathcal{E}_{\text{rf}}, \mathcal{I}_{\text{ff}_0}^{-1, \infty, \infty})}(\hat{T}_0^2; \mathbb{C}^{M_\mu+1}) \\ &= S_{0, \text{tr}, \mathcal{S}}^{-\infty, (\mathcal{E}_{\text{rf}}, \mathcal{I}_{\text{ff}_0})}(\mathbb{R}^n; \mathbb{R}_1^{n+1}; \mathbb{C}^{M_\mu+1}). \end{aligned}$$

It follows that $\text{tr}_{\mu, M_\mu}^{\partial_x} \circ P_{1,i} \in \hat{\Psi}_{0, \text{tr}, \mathcal{S}}^{-\infty, (\mathcal{E}_{\text{rf}}, \mathcal{I}_{\text{ff}_0})}(-\mathfrak{s}_{\mu, M_\mu})(\mathbb{R}_1^{n+1}; \mathbb{R}^n, \mathbb{C}^{M_\mu+1})$. This operator is compactly supported in $U_i \times U'_i$, and extending invariantly off this open set to the whole of $\partial X \times X$, we obtain $\text{tr}_{\mu, M_\mu}^V \circ P_{1,i} \in \hat{\Psi}_{0, \text{tr}}^{-\infty, (\mathcal{E}_{\text{rf}}, [\mathcal{I}_{\text{ff}_0}]}, -\mathfrak{s}_L)(X; \partial X, E_L)$. Therefore, $\text{tr}_{\mu, M_\mu}^V \circ P_1 \in \hat{\Psi}_{0, \text{tr}}^{-\infty, (\mathcal{E}_{\text{rf}}, [0]), -\mathfrak{s}_L}(X; \partial X, E_L)$ as claimed. \square

6.3. Proof of the main theorem. In this section, we prove Theorem 6.3. In fact, without any more effort, we can prove a slightly more general result. Let $\mathbf{A} \in \hat{\Psi}_{0, \text{tr}}^{-\infty, (\mathcal{E}_{\text{rf}}, [0]), -\mathfrak{s}_L}(X; \partial X, \mathbf{E}_L)$ be a symbolic 0-trace operator with the following two properties:

- (1) $\mathbf{A} = \mathbf{A}P_1$;
- (2) $\hat{N}(\mathbf{A})$ equals the Bessel trace map $\hat{\mathbf{a}}_L$ constructed in §6.1.

We have just seen that \mathbf{A}_L is an example of such a map. Let $\mathbf{Q} \in \Psi_{\text{phg}}^{[0], (\mathfrak{t}, -\mathfrak{s}_L, \mathfrak{t})}(\partial X; \mathbf{E}_L, \mathbf{W})$ be an elliptic boundary condition. We will prove that the operator $\mathcal{L} = (L \quad \mathbf{Q}\mathbf{A})^T$ has good left and right parametrices, as in the statement of Theorem 6.3.

The construction of both left and right parametrices relies on the construction of two fundamental objects:

- (1) an operator in the twisted boundary calculus $\mathbf{K}_0 \in \Psi_{\text{phg}}^{[0], (\mathfrak{t}, -\mathfrak{s}_L)}(\partial X; \mathbf{W}, \mathbf{E}_L)$, whose principal symbol $\sigma_\eta(\mathbf{K}_0)$ is such that $\sigma_\eta(\mathbf{K}_0)\sigma_\eta(\mathbf{Q})$ is a projector $(\pi^*\mathbf{E}_L)_\eta \rightarrow \mathcal{C}_\eta$;
- (2) a twisted symbolic 0-Poisson operator $\mathbf{B}_0 \in \hat{\Psi}_{0, \text{P}}^{-\infty, (\mathcal{E}_{\text{rf}}, [0]), -\mathfrak{s}_L}(\partial X, \mathbf{E}_L; X)$, whose Bessel map $\hat{N}_\eta(\mathbf{B}_0)$ satisfies $\hat{N}_\eta(\mathbf{A})\hat{N}_\eta(\mathbf{B}_0) = \sigma_\eta(\mathbf{K}_0\mathbf{Q})$, and with the property that $L\mathbf{B}_0 \equiv 0$.

The existence of an operator \mathbf{K}_0 as in point 1 is guaranteed by the fact that \mathbf{Q} is an elliptic boundary condition. To define $\sigma(\mathbf{K}_0)$, we can for example choose an auxiliary metric on ∂X ,

auxiliary metrics on \mathbf{E}_L , \mathbf{W} , and simply define $\sigma_\eta(\mathbf{K}_0)$ for $|\eta| = 1$ as the generalized inverse of $\sigma_\eta(\mathbf{Q})$; we then extend $\sigma_\eta(\mathbf{K}_0)$ to the whole of $T^*\partial X \setminus 0$ by setting

$$\sigma_\eta(\mathbf{K}_0) = |\eta|^{\mathfrak{s}_L} \sigma_{\frac{\eta}{|\eta|}}(\mathbf{K}_0) |\eta|^{\mathfrak{t}}.$$

By construction, $\sigma_\eta(\mathbf{K}_0) \sigma_\eta(\mathbf{Q})$ is a projector $(\pi^* \mathbf{E}_L)_\eta \rightarrow \mathcal{C}_\eta$, and $\sigma_\eta(\mathbf{Q}) \sigma_\eta(\mathbf{K}_0)$ is the identity on $(\pi^* \mathbf{W})_\eta$, for every $\eta \in T^*\partial X \setminus 0$. Moreover, $\sigma(\mathbf{K}_0)$ is a section of $\pi^* \text{hom}(\mathbf{W}, \mathbf{E}_L)$, twisted homogeneous of degree $(\mathfrak{t}, -\mathfrak{s}_L)$. Therefore, we can realize it as the principal symbol of an operator $\mathbf{K}_0 \in \Psi_{\text{phg}}^{[0], (\mathfrak{t}, -\mathfrak{s}_L)}(\partial X; \mathbf{W}, \mathbf{E}_L)$.

Concerning the construction of \mathbf{B}_0 as in point 2, in §3.4 we constructed the *Bessel Poisson map* $\hat{\mathbf{b}}_\eta$ as the unique map $\hat{\mathbf{b}}_\eta : (\pi^* \mathbf{E}_L)_\eta \rightarrow x^\delta L_b^2(N_{\pi(\eta)}^+ \partial X)$ sending a vector $\varphi \in (\pi^* \mathbf{E}_L)_\eta$ to the unique $x^\delta L_b^2$ solution of

$$\begin{cases} \hat{N}_\eta(L) u &= 0 \\ \hat{N}_\eta(\mathbf{A}) u &= \sigma_\eta(\mathbf{K}_0 \mathbf{Q}) \varphi. \end{cases}$$

We proved in §3.4 that $\eta \mapsto \hat{\mathbf{b}}_\eta$ is a section of $\pi^* \Psi_{\text{P}}^{-\infty, \mathcal{E}_{\text{If}}}(N^+ \partial X; \mathbf{E}_L^*)$, twisted homogeneous of degree $-\mathfrak{s}_L$. Therefore, we can realize $\hat{\mathbf{b}}_\eta$ as the Bessel family of a twisted symbolic 0-Poisson operator $\mathbf{B}'_0 \in \hat{\Psi}_{\text{OP}}^{-\infty, (\mathcal{E}_{\text{If}}, [0]), -\mathfrak{s}_L}(\partial X, \mathbf{E}_L; X)$. By construction, we have $\hat{N}_\eta(\mathbf{A}) \hat{N}_\eta(\mathbf{B}'_0) = \sigma_\eta(\mathbf{K}_0 \mathbf{Q})$. We improve \mathbf{B}'_0 by precomposing it with the projector P_1 : note that, since $P_1 \in \hat{\Psi}_0^{-\infty, (\mathcal{E}_{\text{If}}, \mathcal{E}_{\text{rf}}, \mathcal{H}_{\mathbb{F}_0})}(X)$ with $[\mathcal{H}_{\mathbb{F}_0}] = 0$, and $\mathbf{B}'_0 \in \hat{\Psi}_{\text{OP}}^{-\infty, (\mathcal{E}_{\text{If}}, [0]), -\mathfrak{s}_L}(\partial X, \mathbf{E}_L; X)$, the condition $\Re(\mathcal{E}_{\text{rf}} + \mathcal{E}_{\text{If}}) > -1$ implies from Theorem 5.17 that the composition $\mathbf{B}_0 := P_1 \mathbf{B}'_0$ is well-defined and in $\hat{\Psi}_{\text{OP}}^{-\infty, (\mathcal{E}_{\text{If}}, [0]), -\mathfrak{s}_L}(\partial X, \mathbf{E}_L; X)$. Moreover, we have $\hat{N}_\eta(\mathbf{B}_0) \equiv \hat{N}_\eta(P_1) \hat{\mathbf{b}}_\eta$, and since $\hat{\mathbf{b}}_\eta$ maps into the $x^\delta L_b^2$ kernel of $\hat{N}_\eta(L)$ by construction, we have $\hat{N}_\eta(P_1) \hat{N}_\eta(\mathbf{B}_0) \equiv \hat{N}_\eta(\mathbf{B}_0)$.

Lemma 6.10.

- (1) *The composition $\mathbf{A} \mathbf{B}_0$ is well-defined and in $\Psi_{\text{phg}}^{[0], (-\mathfrak{s}_L, -\mathfrak{s}_L)}(\partial X; \mathbf{E}_L, \mathbf{E}_L)$; moreover, for every $\eta \in T^*\partial X \setminus 0$, we have $\sigma_\eta(\mathbf{A} \mathbf{B}_0) = \sigma_\eta(\mathbf{K}_0 \mathbf{Q})$.*
- (2) *The composition $\mathbf{B}_0 \mathbf{A}$ is well-defined and in $\hat{\Psi}_0^{-\infty, (\mathcal{E}_{\text{If}}, \mathcal{E}_{\text{rf}}, \mathcal{I}_{\mathbb{F}_0})}(X)$ for some index set $\mathcal{I}_{\mathbb{F}_0}$ with $[\mathcal{I}_{\mathbb{F}_0}] = 0$; moreover, for every $\eta \in T^*\partial X \setminus 0$, we have $\hat{N}_\eta(\mathbf{B}_0 \mathbf{A}) = \hat{N}_\eta(P_1)$.*

Proof. We have $\mathbf{A} \in \hat{\Psi}_{\text{tr}}^{-\infty, (\mathcal{E}_{\text{rf}}, [0]), -\mathfrak{s}_L}(X; \partial X, \mathbf{E}_L)$ and $\mathbf{B}_0 \in \hat{\Psi}_{\text{OP}}^{-\infty, (\mathcal{E}_{\text{If}}, [0]), -\mathfrak{s}_L}(\partial X, \mathbf{E}_L; X)$; since $\Re(\mathcal{E}_{\text{If}}) > \delta$ and $\Re(\mathcal{E}_{\text{rf}}) > -\delta - 1$, $\Re(\mathcal{E}_{\text{rf}} + \mathcal{E}_{\text{If}}) > -1$ and therefore we can apply Theorem 5.17 and conclude that $\mathbf{A} \mathbf{B}_0 \in \Psi_{\text{phg}}^{[0], (-\mathfrak{s}_L, -\mathfrak{s}_L)}(\partial X; \mathbf{E}_L, \mathbf{E}_L)$ and $\sigma_\eta(\mathbf{A} \mathbf{B}_0) = \hat{N}_\eta(\mathbf{A}) \hat{N}_\eta(\mathbf{B}_0)$. The fact that $\hat{N}_\eta(\mathbf{A}) \hat{N}_\eta(\mathbf{B}_0) = \sigma_\eta(\mathbf{K}_0 \mathbf{Q})$ is essentially the definition of the Bessel Poisson map $\hat{N}_\eta(\mathbf{B}_0)$.

Now, again by Theorem 5.17, we have indeed $\mathbf{B}_0 \mathbf{A} \in \hat{\Psi}_0^{-\infty, (\mathcal{E}_{\text{If}}, \mathcal{E}_{\text{rf}}, \mathcal{I}_{\mathbb{F}_0})}(X)$ with $[\mathcal{I}_{\mathbb{F}_0}] = 0$, and moreover $\hat{N}_\eta(\mathbf{B}_0 \mathbf{A}) = \hat{N}_\eta(\mathbf{B}_0) \hat{N}_\eta(\mathbf{A})$. To prove that $\hat{N}_\eta(\mathbf{B}_0 \mathbf{A}) = \hat{N}_\eta(P_1)$, first of all observe that by definition of the Bessel Poisson map $\hat{N}_\eta(\mathbf{B}_0)$, $\hat{N}_\eta(\mathbf{B}_0 \mathbf{A})$ maps into the $x^\delta L_b^2$ kernel of $\hat{N}_\eta(L)$; since the Bessel trace map $\hat{N}_\eta(\mathbf{A})$ is injective on this kernel, it suffices to prove that $\hat{N}_\eta(\mathbf{A}) \left(\hat{N}_\eta(\mathbf{B}_0 \mathbf{A}) - \hat{N}_\eta(P_1) \right) = 0$. But by definition of $\hat{N}_\eta(\mathbf{A})$, we have $\hat{N}_\eta(\mathbf{A}) \hat{N}_\eta(P_1) = \hat{N}_\eta(\mathbf{A})$, and moreover from the previous point we have

$$\begin{aligned} \hat{N}_\eta(\mathbf{A}) \hat{N}_\eta(\mathbf{B}_0 \mathbf{A}) &= \sigma_\eta(\mathbf{A} \mathbf{B}_0) \hat{N}_\eta(\mathbf{A}) \\ &= \sigma_\eta(\mathbf{K}_0 \mathbf{Q}) \hat{N}_\eta(\mathbf{A}). \end{aligned}$$

By definition, $\hat{N}_\eta(\mathbf{A})$ maps onto the Calderón space \mathcal{C}_η , and by construction $\sigma_\eta(\mathbf{K}_0 \mathbf{Q})$ is the identity on \mathcal{C}_η , so we have $\sigma_\eta(\mathbf{K}_0 \mathbf{Q}) \hat{N}_\eta(\mathbf{A}) = \hat{N}_\eta(\mathbf{A})$. This concludes the proof. \square

Define now $\mathbf{C}_0 := \mathbf{B}_0 \mathbf{K}_0$. This operator will allow us to construct good left and right parametrices for \mathcal{L} .

Lemma 6.11.

- (1) *The operator \mathbf{C}_0 is well-defined and in $\hat{\Psi}_{\text{OP}}^{-\infty, (\mathcal{E}_{\text{If}}, [0]), \mathfrak{t}}(\partial X, \mathbf{W}; X)$.*
- (2) *The composition $\mathbf{Q} \mathbf{A} \mathbf{C}_0$ is well-defined and in $\Psi_{\text{phg}}^{[0], (\mathfrak{t}, \mathfrak{t})}(\partial X; \mathbf{W}, \mathbf{W})$.*
- (3) *The principal symbol $\sigma(\mathbf{Q} \mathbf{A} \mathbf{C}_0)$ is the identity on $\pi^* \mathbf{W}$.*

Proof. (1) We have $\mathbf{B}_0 \in \hat{\Psi}_{0P}^{-\infty, (\mathcal{E}_{\text{rf}}, [0]), -s_L}(\partial X, \mathbf{E}_L; X)$, and $\mathbf{K}_0 \in \Psi_{\text{phg}}^{[0], (\mathbf{t}, -s_L)}(\partial X; \mathbf{W}, \mathbf{E}_L)$. By Theorem 5.17, we have $\mathbf{C}_0 = \mathbf{B}_0 \mathbf{K}_0 \in \hat{\Psi}_{0P}^{-\infty, (\mathcal{E}_{\text{rf}}, [0]), \mathbf{t}}(\partial X, \mathbf{W}; X)$. (2) We have $\mathbf{Q} \in \Psi_{\text{phg}}^{[0], (-s_L, \mathbf{t})}(\partial X; \mathbf{E}_L, \mathbf{W})$ and $\mathbf{A} \in \hat{\Psi}_{0\text{tr}}^{-\infty, (\mathcal{E}_{\text{rf}}, [0]), -s_L}(X; \partial X, \mathbf{E}_L)$. By Theorem 5.17, we have $\mathbf{QA} \in \hat{\Psi}_{0\text{tr}}^{-\infty, (\mathcal{E}_{\text{rf}}, [0]), \mathbf{t}}(X; \partial X, \mathbf{W})$; moreover, using $\Re(\mathcal{E}_{\text{rf}} + \mathcal{E}_{\text{lf}}) > -1$ and Theorem 5.17, we have $\mathbf{QAC}_0 \in \Psi_{\text{phg}}^{[0], (\mathbf{t}, \mathbf{t})}(\partial X; \mathbf{W}, \mathbf{W})$. (3) We have

$$\begin{aligned} \sigma_\eta(\mathbf{QAC}_0) &= \sigma_\eta(\mathbf{Q}) \hat{N}_\eta(\mathbf{A}) \hat{N}_\eta(\mathbf{B}_0 \mathbf{K}_0) \\ &= \sigma_\eta(\mathbf{Q}) \sigma_\eta(\mathbf{AB}_0) \sigma_\eta(\mathbf{K}_0) \\ &= \sigma_\eta(\mathbf{Q}) \sigma_\eta(\mathbf{K}_0 \mathbf{Q}) \sigma_\eta(\mathbf{K}_0) \\ &= \sigma_\eta(\mathbf{QK}_0) \sigma_\eta(\mathbf{QK}_0) \\ &= 1_{(\pi^* \mathbf{W})_\eta}. \end{aligned}$$

□

Define $\mathcal{G}_0 = \begin{pmatrix} G & \mathbf{C}_0 \end{pmatrix}$. We will now compute the remainders $I - \mathcal{L}\mathcal{G}_0$ and $I - \mathcal{G}_0\mathcal{L}$. We have

$$\begin{aligned} \mathcal{L}\mathcal{G}_0 &= \begin{pmatrix} L \\ \mathbf{QA} \end{pmatrix} \begin{pmatrix} G & \mathbf{C}_0 \end{pmatrix} \\ &= \begin{pmatrix} LG & LC_0 \\ \mathbf{QAG} & \mathbf{QAC}_0 \end{pmatrix} \\ &= \begin{pmatrix} I - P_2 & 0 \\ 0 & \mathbf{QAC}_0 \end{pmatrix} \\ &= I - \begin{pmatrix} P_2 & \\ & \mathbf{R}_0 \end{pmatrix}, \end{aligned}$$

where $P_2 \in \Psi^{-\infty, (\mathcal{F}_{\text{lf}}, \mathcal{F}_{\text{rf}})}(X)$ is the very residual orthogonal projector onto the $x^\delta L_b^2$ orthogonal complement of the range of L , and $\mathbf{R}_0 = I - \mathbf{QAC}_0$. The operator LC_0 vanishes because, by construction, we have $\mathbf{C}_0 = P_1 \mathbf{C}_0$ and $LP_1 = 0$; similarly, the operator \mathbf{QAG} vanishes because, by definition of \mathbf{A} , we have $\mathbf{AP}_1 = \mathbf{A}$ and by definition of generalized inverse, G maps onto the $x^\delta L_b^2$ orthogonal complement of the kernel of L so $P_1 G = 0$. Finally, a priori we have $\mathbf{R}_0 \in \Psi_{\text{phg}}^{[0], (\mathbf{t}, \mathbf{t})}(\partial X; \mathbf{W}, \mathbf{W})$, but in fact $\sigma(\mathbf{R}_0) = \sigma(I)$, so we have $\mathbf{R}_0 \in \Psi_{\text{phg}}^{[\mathcal{I}], (\mathbf{t}, \mathbf{t})}(\partial X; \mathbf{W}, \mathbf{W})$ for some index set \mathcal{I} with $\Re(\mathcal{I}) \geq 1$.

This allows us to promote \mathcal{G}_0 to a good right parametrix using a familiar argument. Let \mathbf{S} be an asymptotic sum for

$$\mathbf{S} \sim \sum_{k=0}^{\infty} \mathbf{R}_0^k.$$

Since $\Re(\mathcal{I}) \geq 1$, for $k > 0$ we have $\mathbf{R}_0^k \in \Psi_{\text{phg}}^{[\mathcal{I}^{(k)}], (\mathbf{t}, \mathbf{t})}(\partial X; \mathbf{W}, \mathbf{W})$ with $\Re(\mathcal{I}^{(k)}) \geq k$. Therefore, we have $\mathbf{S} \in \Psi_{\text{phg}}^{[0], (\mathbf{t}, \mathbf{t})}(\partial X; \mathbf{W}, \mathbf{W})$ and

$$(I - \mathbf{R}_0) \mathbf{S} \equiv I \pmod{\Psi^{-\infty}(\partial X; \mathbf{W}, \mathbf{W})}.$$

Define $G_2 = G$ and $\mathbf{C}_2 = \mathbf{C}_0 \mathbf{S}$. By Theorem 5.17, we have again $\mathbf{C}_2 \in \hat{\Psi}_{0P}^{-\infty, (\mathcal{E}_{\text{rf}}, [0]), \mathbf{t}}(\partial X, \mathbf{W}; X)$, and calling $\mathcal{G}_2 = \begin{pmatrix} G & \mathbf{C}_2 \end{pmatrix}$, we obtain

$$\mathcal{L}\mathcal{G}_2 = I - \begin{pmatrix} P_2 & \\ & \mathbf{R} \end{pmatrix}$$

with $\mathbf{R} \in \Psi^{-\infty}(\partial X; \mathbf{W}, \mathbf{W})$, as claimed.

Let's now take care of the left remainder.

Lemma 6.12.

- (1) The operator $\mathbf{C}_0 \mathbf{QA}$ is well-defined and in $\hat{\Psi}_0^{-\infty, (\mathcal{E}_{\text{lf}}, \mathcal{E}_{\text{rf}}, \mathcal{I})}(X)$, with $[\mathcal{I}] = 0$.
- (2) $\hat{N}(\mathbf{C}_0 \mathbf{QA}) = \hat{N}(P_1)$.

Proof. (1) We have $\mathbf{C}_0 \in \hat{\Psi}_{0\text{P}}^{-\infty, (\mathcal{E}_{\text{lf}}, [0]), \mathbf{t}}(\partial X, \mathbf{W}; X)$ and $\mathbf{QA} \in \hat{\Psi}_{0\text{tr}}^{-\infty, (\mathcal{E}_{\text{rf}}, [0]), \mathbf{t}}(X; \partial X, \mathbf{W})$, so by $\Re(\mathcal{E}_{\text{lf}} + \mathcal{E}_{\text{rf}}) > -1$ and Theorem 5.17 we obtain $\mathbf{C}_0\mathbf{QA} \in \hat{\Psi}_0^{-\infty, (\mathcal{E}_{\text{lf}}, \mathcal{E}_{\text{rf}}, \mathcal{I})}(X)$. (2) We have

$$\begin{aligned} \hat{N}_\eta(\mathbf{C}_0\mathbf{QA}) &= \hat{N}_\eta(\mathbf{B}_0\mathbf{K}_0\mathbf{QA}) \\ &= \hat{N}_\eta(\mathbf{B}_0)\sigma_\eta(\mathbf{K}_0\mathbf{Q})\hat{N}_\eta(\mathbf{A}). \end{aligned}$$

Now, $\sigma_\eta(\mathbf{K}_0\mathbf{Q})$ is the identity on \mathcal{C}_η , and $\hat{N}_\eta(\mathbf{A})$ takes values in \mathcal{C}_η , so

$$\hat{N}_\eta(\mathbf{C}_0\mathbf{QA}) = \hat{N}_\eta(\mathbf{B}_0\mathbf{A}) = \hat{N}_\eta(\mathbf{P}_1).$$

□

Now, let's compute the left remainder $I - \mathcal{G}_0\mathcal{L}$. We have

$$\begin{aligned} \mathcal{G}_0\mathcal{L} &= \begin{pmatrix} G & \mathbf{C}_0 \\ & \mathbf{QA} \end{pmatrix} \\ &= GL + \mathbf{C}_0\mathbf{QA} \\ &= I - (\mathbf{P}_1 - \mathbf{C}_0\mathbf{QA}) \\ &= I - T_0, \end{aligned}$$

where by the previous lemma we have $T_0 \in \hat{\Psi}_0^{-\infty, (\mathcal{E}_{\text{lf}}, \mathcal{E}_{\text{rf}}, \mathcal{I})}(X)$ for some index set \mathcal{I} with $\Re(\mathcal{I}) \geq 1$. We can now improve the parametrix using the same argument as above. Let U be an asymptotic sum for

$$U \sim \sum_{k=1}^{\infty} T_0^k.$$

Since $\Re(\mathcal{E}_{\text{lf}} + \mathcal{E}_{\text{rf}}) > -1$, using Theorem 5.16 we have

$$T_0^k \in \hat{\Psi}_0^{-\infty, (\mathcal{E}_{\text{lf}}, \mathcal{E}_{\text{rf}}, k\mathcal{I})}(X)$$

for every $k > 0$. Therefore, $U \in \hat{\Psi}_0^{-\infty, (\mathcal{E}_{\text{lf}}, \mathcal{E}_{\text{rf}}, \mathcal{J})}(X)$ for some index set with $\Re(\mathcal{J}) \geq 1$, and

$$(I + U)(I - T_0) \equiv I \pmod{\Psi^{-\infty, (\mathcal{E}_{\text{lf}}, \mathcal{E}_{\text{rf}})}(X)}.$$

Define $G_1 = (I + U)G$ and $\mathbf{C}_1 = (I + U)\mathbf{C}_0$. Again by Theorem 5.17, we have $\mathbf{C}_1 \in \hat{\Psi}_{0\text{P}}^{-\infty, (\mathcal{E}_{\text{lf}}, [0]), \mathbf{t}}(\partial X, \mathbf{W}; X)$, with $\hat{N}(\mathbf{C}_1) = \hat{N}(\mathbf{C}_0)$. Now, we know from [Maz91] that $G \in \Psi_0^{-m, \mathcal{H}}(X)$ where $\mathcal{H} = (\mathcal{H}_{\text{lf}}, \mathcal{H}_{\text{rf}}, \mathcal{H}_{\text{ff}_0})$ satisfies the properties listed in Theorem 6.3. Moreover, by Corollary 4.22, U is in the 0-calculus, and more precisely $U \in \Psi_0^{-\infty, (\mathcal{E}_{\text{lf}}, \mathcal{E}_{\text{rf}}, \tilde{\mathcal{J}})}(X)$ where $\tilde{\mathcal{J}}$ satisfies again $\Re(\tilde{\mathcal{J}}) \geq 1$. Therefore, by the composition theorem for the 0-calculus proved in [Maz91], we have again $UG \in \Psi_0^{-m, \tilde{\mathcal{H}}}(X)$ where $(\tilde{\mathcal{H}}_{\text{lf}}, \tilde{\mathcal{H}}_{\text{rf}}, \tilde{\mathcal{H}}_{\text{ff}_0})$ satisfies again $\Re(\tilde{\mathcal{H}}_{\text{lf}}) > \delta$, $\Re(\tilde{\mathcal{H}}_{\text{rf}}) > -\delta - 1$, and $[\tilde{\mathcal{H}}_{\text{ff}_0}] = 0$. This concludes the proof of Theorem 6.3.

6.4. Some corollaries. The first corollary is the Fredholm Theorem mentioned in the introduction:

Theorem 6.13. *Let \mathbf{Q} be an elliptic boundary condition for L relative to the weight δ , as in Theorem 6.3. Then the map*

$$\mathcal{L} = L \oplus \mathbf{QA}_L : x^\delta H_0^{k+m}(X) \rightarrow x^\delta H_0^k(X) \oplus H^{\mathbf{t}}(\partial X; \mathbf{W})$$

is Fredholm.

Proof. First of all, let's check that the map \mathcal{L} is bounded between the spaces above. Since L is a 0-differential operator of order m , L is bounded $x^\delta H_0^{k+m}(X) \rightarrow x^\delta H_0^k(X)$. Now, we know that \mathbf{A}_L is a twisted symbolic 0-trace operator in $\hat{\Psi}_{0\text{tr}}^{-\infty, (\mathcal{E}_{\text{rf}}, [0]), -s_L}(\partial X, \mathbf{E}_L)$. Since $\Re(\mathcal{E}_{\text{rf}}) > -\delta - 1$, by Theorem 6.3 \mathbf{A}_L induces a bounded map

$$\mathbf{A}_L : x^\delta H_0^{k+m}(X) \rightarrow H^{-s_L}(\partial X; \mathbf{E}_L).$$

Now, since $\mathbf{Q} \in \Psi_{\text{phg}}^{[0], (-s_L, \mathbf{t})}(\partial X; \mathbf{E}_L, \mathbf{W})$, by Proposition 5.22 \mathbf{Q} induces a bounded map

$$\mathbf{Q} : H^{-s_L}(\partial X; \mathbf{E}_L) \rightarrow H^{\mathbf{t}}(\partial X; \mathbf{W}).$$

Therefore, \mathcal{L} is well-defined. Now, to prove that \mathcal{L} is Fredholm, let $\mathcal{G}_1, \mathcal{G}_2$ be the left and right parametrices for \mathcal{L} constructed in Theorem 6.3. We have

$$\mathcal{G}_1 \mathcal{L} = I - R$$

where R is a very residual operator in $\Psi^{-\infty, (\mathcal{E}_{\text{lf}}, \mathcal{E}_{\text{rf}})}(X)$, and

$$\mathcal{L} \mathcal{G}_2 = I - \begin{pmatrix} P_2 & \\ & \mathbf{S} \end{pmatrix},$$

where $P_2 \in \Psi^{-\infty, (\mathcal{F}_{\text{lf}}, \mathcal{F}_{\text{rf}})}(X)$ is a very residual operator and $\mathbf{S} \in \Psi^{-\infty}(\partial X; \mathbf{W})$. Since R is a very residual operator and $\Re(\mathcal{E}_{\text{lf}}) > \delta$, $\Re(\mathcal{E}_{\text{rf}}) > -\delta - 1$, R is compact as an operator on $x^\delta H_0^{k+m}(X)$. Similarly, P_2 is compact as an operator on $x^\delta H_0^k(X)$. Finally, \mathbf{S} is smoothing, and therefore it is bounded as a map $H^t(\partial X; \mathbf{W}) \rightarrow H^{t+\epsilon}(\partial X; \mathbf{W})$ for every $\epsilon > 0$, hence it is compact as a map on $H^t(\partial X; \mathbf{W})$. \square

The other is a simple regularity result for solutions of 0-elliptic boundary value problems.

Corollary 6.14. *Let \mathbf{Q} be an elliptic boundary condition for L relative to the weight δ , as in Theorem 6.3. Suppose that $u \in x^\delta H_0^m(X)$ is a solution of the boundary value problem*

$$\begin{cases} Lu & = v \\ \mathbf{Q} \mathbf{A}_L u & = \varphi \end{cases},$$

where v is $o(x^\delta)$ polyhomogeneous, and $\varphi \in C^\infty(\partial X; \mathbf{W})$. Then u is $o(x^\delta)$ polyhomogeneous.

Proof. Let $\mathcal{G}_1 = (G_1 \quad C_1)$ be the left parametrix for \mathcal{L} constructed in Theorem 6.3. We have

$$G_1 \in \Psi_0^{-m, \mathcal{H}}(X)$$

with $\Re(\mathcal{H}_{\text{lf}}) > \delta$, $\Re(\mathcal{H}_{\text{rf}}) > -\delta - 1$ and $[\mathcal{H}_{\mathbb{F}_0}] = 0$, and

$$C_1 \in \hat{\Psi}_{0\text{P}}^{-\infty, (\mathcal{E}_{\text{lf}}, [0]), \mathbf{t}}(\partial X, \mathbf{W}; X).$$

Writing $u = \mathcal{G}_1 \mathcal{L} u + R u$, we get

$$u = R u + G_1 v + C_1 \varphi.$$

Since R is very residual in $\Psi^{-\infty, (\mathcal{E}_{\text{lf}}, \mathcal{E}_{\text{rf}})}(X)$, R maps $x^\delta L_b^2(X)$ to $\mathcal{A}_{\text{phg}}^{\mathcal{E}_{\text{lf}}}(X)$. Moreover, from the mapping properties for C_1 proved in §5.2, we know that

$$C_1 : C^\infty(\partial X; \mathbf{W}) \rightarrow \mathcal{A}_{\text{phg}}^{\mathcal{E}_{\text{lf}}}(X)$$

so $C_1 \varphi \in \mathcal{A}_{\text{phg}}^{\mathcal{E}_{\text{lf}}}(X)$ as well. Finally, it is proved in [Maz91] that if \mathcal{F} is an index set and $\Re(\mathcal{H}_{\text{rf}} + \mathcal{F}) > -1$, then G_1 (being in $\Psi_0^{-m, \mathcal{H}}(X)$) induces a continuous linear map

$$G_1 : \mathcal{A}_{\text{phg}}^{\mathcal{F}}(X) \rightarrow \mathcal{A}_{\text{phg}}^{\mathcal{H}_{\text{lf}} \sqcup (\mathcal{F} + \mathcal{H}_{\mathbb{F}_0})}(X).$$

Since v is $o(x^\delta)$ polyhomogeneous, we have $\Re(\mathcal{F}) > \delta$, and therefore from $\Re(\mathcal{H}_{\text{rf}}) > -\delta - 1$ we get $\Re(\mathcal{H}_{\text{rf}} + \mathcal{F}) > -1$. Finally, since $\Re(\mathcal{H}_{\text{lf}}) > \delta$ and $[\mathcal{H}_{\mathbb{F}_0}] = 0$, we have $\Re(\mathcal{H}_{\text{lf}} \sqcup (\mathcal{F} + \mathcal{H}_{\mathbb{F}_0})) > \delta$ so u is $o(x^\delta)$ polyhomogeneous as claimed. \square

7. APPENDIX

7.1. Conormality, polyhomogeneity, projective tensor products. Let X be a compact manifold with corners. We call $\mathcal{M}_1(X)$ the set of boundary hyperfaces of X . We also denote by $\mathcal{V}_b(X)$ the space of vector fields on X tangent to every $H \in \mathcal{M}_1(X)$. The elements of $\mathcal{V}_b(X)$ are called *b-vector fields*.

A *multi-weight* for X is a family $\mathbf{m} = \{\mathbf{m}_H\}_{H \in \mathcal{M}_1(X)}$, where $\mathbf{m}_H \in \mathbb{R}$. For every $H \in \mathcal{M}_1(X)$, choose an auxiliary boundary defining function r_H for H in X , and call $r = \prod_{H \in \mathcal{M}_1(X)} r_H$ a total boundary defining function for X .

Definition 7.1. We denote by $\mathcal{A}^{\mathbf{m}}(X)$ the space $r^{-\mathbf{m}} \mathcal{A}^0(X)$, where $\mathcal{A}^0(X)$ is the space of extendible distributions u on X such that $V_1 \cdots V_k u \in L^\infty(X)$ for every $V_1, \dots, V_k \in \mathcal{V}_b(X)$. The elements of $\mathcal{A}^{\mathbf{m}}(X)$ are called *conormal functions of order \mathbf{m}* .

The space $\mathcal{A}^0(X)$ is equipped with a natural Fréchet topology, defined as follows. Choose a finite family of b -vector fields V_1, \dots, V_K which generate $\mathcal{V}_b(X)$ pointwise (such a finite family exists because X is compact). Then $\mathcal{A}^0(X)$ is topologized by the seminorms

$$\sup |V_{i_1} \cdots V_{i_l} u|.$$

The space $\mathcal{A}^m(X)$ is topologized by the isomorphism $\mathcal{A}^m(X) \rightarrow \mathcal{A}^0(X)$ given by $u \mapsto r^{-m}u$. One can prove that the Fréchet topology on $\mathcal{A}^m(X)$ does not depend on the choice of the vector fields V_1, \dots, V_K and the boundary defining functions r_H .

Definition 7.2. An *index set* is a subset $\mathcal{E} \subseteq \mathbb{C} \times \mathbb{N}$ with the following properties:

- (1) if $(\alpha, l) \in \mathcal{E}$, then $(\alpha + k, l') \in \mathcal{E}$ for every $k \in \mathbb{N}$ and every $l' \in \{0, \dots, l\}$;
- (2) for every $M \in \mathbb{R}$, the set $\{(\alpha, l) \in \mathcal{E} : \Re(\alpha) < M\}$ is finite.

An *index family* for X is a family $\mathcal{E} = \{\mathcal{E}_H\}_{H \in \mathcal{M}_1(X)}$ of index sets.

Fix an index family \mathcal{E} for X . Now, choose for every boundary hyperface H a vector field V_H transversal to H , inward-pointing, and tangent to all the other boundary hyperfaces. For every $M \in \mathbb{R}$, define

$$P_{H,M} = \prod_{\substack{(\alpha,l) \in \mathcal{E}_H \\ \Re(\alpha) \leq M}} (r_H V_H - \alpha).$$

Definition 7.3. We denote by $\mathcal{A}_{\text{phg}}^{\mathcal{E}}(X)$ the space of extendible distributions u on X for which there exists a multi-weight \mathfrak{m} for X such that:

- (1) $u \in \mathcal{A}^{\mathfrak{m}}(X)$;
- (2) for every $M \in \mathbb{R}$, we have $P_{H,M}u \in \mathcal{A}^{\mathfrak{m}(H,M)}(X)$ where $\mathfrak{m}(H, M)$ is the new multi-weight obtained from \mathfrak{m} obtained by replacing \mathfrak{m}_H with M .

The elements of $\mathcal{A}_{\text{phg}}^{\mathcal{E}}(X)$ are called *polyhomogeneous functions with index sets \mathcal{E}* .

The space $\mathcal{A}_{\text{phg}}^{\mathcal{E}}(X)$ is equipped with a natural Fréchet topology, induced by the seminorms $\|P_{H,N}u\|$ for $H \in \mathcal{M}_1(X)$ and $N \in \mathbb{N}$, where $\|\cdot\|$ ranges among a family of seminorms for $\mathcal{A}^{\mathfrak{m}(H,N)}(X)$. One can check that the topology does not depend on the auxiliary choices made.

Given a Fréchet space F , we can define spaces $\mathcal{A}^{\mathfrak{m}}(X; F)$, $\mathcal{A}_{\text{phg}}^{\mathcal{E}}(X; F)$ of F -valued conormal and polyhomogeneous functions. The definitions are exactly as above, except that we replace the norm $|\cdot|$ in \mathbb{R} with a family of seminorms for F . Given another compact manifold with corners Y , one can then easily check that we have canonical identifications

$$\begin{aligned} \mathcal{A}_{\text{phg}}^{(\mathcal{E}, \mathcal{F})}(X \times Y) &= \mathcal{A}_{\text{phg}}^{\mathcal{E}}(X; \mathcal{A}_{\text{phg}}^{\mathcal{F}}(Y)) \\ \mathcal{B}^{(\mathcal{E}, \mathfrak{m})}(X \times Y) &= \mathcal{A}_{\text{phg}}^{\mathcal{E}}(X; \mathcal{A}^{\mathfrak{m}}(Y)). \end{aligned}$$

Now, given two Fréchet spaces F, G , we denote by $F \otimes G$ their projective tensor product (cf. §45 of [Trè67]). The topology on $F \otimes G$ is the strongest topology that makes the canonical bilinear map $F \times G \rightarrow F \otimes G$ continuous. We call $F \hat{\otimes} G$ the completed projective tensor product: every element of $F \hat{\otimes} G$ can be written as a convergent sum $\sum_{j=0}^{\infty} \lambda_j f_j g_j$, where $\{\lambda_j\}$ is an absolutely summable scalar sequence, and $\{f_j\}, \{g_j\}$ are null sequences in F and G . The space $F \hat{\otimes} G$ satisfies the following universal property: every continuous bilinear map $F \times G \rightarrow H$ factors uniquely through a continuous linear map $F \hat{\otimes} G \rightarrow H$. The proof of Proposition 5.7 of [LS01] implies that there are canonical isomorphisms

$$\begin{aligned} \mathcal{A}_{\text{phg}}^{\mathcal{E}}(X; \mathcal{A}_{\text{phg}}^{\mathcal{F}}(Y)) &= \mathcal{A}_{\text{phg}}^{\mathcal{E}}(X) \hat{\otimes} \mathcal{A}_{\text{phg}}^{\mathcal{F}}(Y) \\ \mathcal{A}_{\text{phg}}^{\mathcal{E}}(X; \mathcal{A}^{\mathfrak{m}}(Y)) &= \mathcal{A}_{\text{phg}}^{\mathcal{E}}(X) \hat{\otimes} \mathcal{A}^{\mathfrak{m}}(Y). \end{aligned}$$

7.2. Pull-back and Push-forward Theorems. Let X, Y be two manifolds with corners. Fix boundary defining functions $\{r_H\}_{H \in \mathcal{M}_1(X)}$ and $\{\rho_G\}_{G \in \mathcal{M}_1(Y)}$. A smooth map $f : X \rightarrow Y$ between compact manifolds with corners is an *interior b -map* if, for every $G \in \mathcal{M}_1(Y)$, we have

$$f^* \rho_G = a_G \prod_{H \in \mathcal{M}_1(X)} r_H^{e_f(G,H)}$$

for some $a_G \in C^\infty(X)$ positive and $e_f(G, H) \in \mathbb{N}$. These numbers are called the *boundary exponents* of f , and e_f is called the *boundary matrix* of f .

Theorem 7.4. (*Melrose's Pull-back Theorem*) Let $f : X \rightarrow Y$ be an interior b -map, and let \mathcal{F} be an index family for Y . Define an index family $f^b\mathcal{F}$ on X by

$$\left(f^b\mathcal{F}\right)_H = \mathbb{N} + \sum_{f(H) \subseteq G} e_f(G, H) \mathcal{F}_G.$$

Then the pull-back map $f^* : \dot{C}^\infty(X) \rightarrow C^\infty(Y)$ extends by continuity to a continuous linear map

$$f^* : \mathcal{A}_{\text{phg}}^{\mathcal{F}}(Y) \rightarrow \mathcal{A}_{\text{phg}}^{f^b\mathcal{F}}(X).$$

The space $\mathcal{V}_b(X)$ of b -vector fields determines, via the Serre–Swan Theorem, a vector bundle bTX of which $\mathcal{V}_b(X)$ is the module of sections. The inclusion $\mathcal{V}_b(X) \rightarrow \mathcal{V}(X)$ determines a bundle map $\# : {}^bTX \rightarrow TX$, which is a natural isomorphism on the interior. If $f : X \rightarrow Y$ is an interior b -map, then the differential of f extends to a map ${}^bdf : {}^bTX \rightarrow {}^bTY$ called the b -differential. f is called a b -submersion if bdf is surjective. f is called a b -fibration if:

- (1) it is a surjective b -submersion;
- (2) it does not map any boundary hyperface of X to a corner of Y .

It is often easier to check that a surjective interior b -map f is a b -fibration via the following equivalent characterization:

- (1) if K is any boundary face of X , $\text{codim}f(K) \leq \text{codim}K$;
- (2) the restriction of f to K° for any boundary face, is a fibration onto $f(K)^\circ$.

Denote by ${}^b\mathcal{D}_X^1$ the bundle of singular densities of the form $r^{-1}\omega$, where ω is a smooth density on X and r is a total boundary defining function for X .

Theorem 7.5. (*Melrose's Push-forward Theorem*) Let $f : X \rightarrow Y$ be a b -fibration, and let \mathcal{E} be an index family for X . Define an index family $f_b\mathcal{E}$ on Y by

$$(f_b\mathcal{E})_G = \overline{\bigcup_{f(H) \subseteq G} \frac{\mathcal{E}_H}{e(G, H)}}.$$

Here the operation $\overline{\bigcup}$ is called extended union: for a family $\mathcal{E}_1, \dots, \mathcal{E}_k$ of index sets, $\overline{\bigcup}_i \mathcal{E}_i$ is the index set generated by the union $\bigcup_i \mathcal{E}_i$ and the pairs $(z, p_1 + \dots + p_k + 1)$ such that $(z, p_i) \in \mathcal{E}_i$. If, for every $H \in \mathcal{M}_1(X)$ such that $f(H) \cap Y^\circ \neq \emptyset$ we have $\Re(\mathcal{E}_H) > 0$, then the push-forward map $f_* : \dot{C}^\infty(X; {}^b\mathcal{D}_X^1) \rightarrow C^{-\infty}(Y; {}^b\mathcal{D}_Y^1)$ extends to a continuous linear map

$$f_* : \mathcal{A}_{\text{phg}}^{\mathcal{E}}(X; {}^b\mathcal{D}_X^1) \rightarrow \mathcal{A}_{\text{phg}}^{f_b\mathcal{E}}(Y; {}^b\mathcal{D}_Y^1).$$

7.3. Invariance under changes of coordinates. In this last subsection, we discuss coordinate invariance of the local calculus introduced in §4. For simplicity, we only discuss in detail the 0-Poisson case, since the other cases are similar.

The proof is very similar to the standard coordinate invariance proof for pseudodifferential operators on \mathbb{R}^n . We sketch the argument following closely the proof of Theorem 5.2 of [Hin22]. Given a bounded open subset Ω of \mathbb{R}^n , denote by $\hat{\Psi}_{0\text{P},c}^{-\infty,\mathcal{E}}(\Omega, [0, \varepsilon] \times \Omega)$ the subspace of $\hat{\Psi}_{0\text{P},S}^{-\infty,\mathcal{E}}(\mathbb{R}^n, \mathbb{R}_1^{n+1})$ consisting of operators compactly supported on $[0, \varepsilon] \times \Omega \times \Omega$. We similarly define $\Psi_{\text{P},c}^{-\infty,\mathcal{E}\text{of}}(\Omega, [0, \varepsilon] \times \Omega)$.

Proposition 7.6. Let Ω, Ω' be bounded open subsets of \mathbb{R}^n , and let $\varphi : \Omega' \rightarrow \Omega$ be a diffeomorphism. Let $B \in \hat{\Psi}_{0\text{P},c}^{-\infty,\mathcal{E}}(\Omega, [0, \varepsilon] \times \Omega)$, and let B_φ be the operator defined by $(\text{id} \times \varphi)^* \circ B \circ (\varphi^{-1})^*$. Then $B_\varphi \in \hat{\Psi}_{0\text{P},c}^{-\infty,\mathcal{E}}(\Omega', [0, \varepsilon] \times \Omega')$. Moreover, if $B = \text{Op}_L^{\text{P}}(b)$ for $b \in S_{0\text{P},S}^{-\infty,\mathcal{E}}(\mathbb{R}^n; \mathbb{R}_1^{n+1})$, then $B_\varphi = \text{Op}_L^{\text{P}}(b_\varphi)$ where $b_\varphi \in S_{0\text{P},S}^{-\infty,\mathcal{E}}(\mathbb{R}^n; \mathbb{R}_1^{n+1})$ is determined modulo $S_{\text{P},S}^{-\infty,\mathcal{E}\text{of}}(\mathbb{R}^n; \mathbb{R}_1^{n+1})$ by the asymptotic expansion

$$b_\varphi \sim \sum_{\alpha} \frac{1}{\alpha!} (D_\eta^\alpha b) \left(\varphi(y); x, \text{J}(\varphi^{-1})^T(\varphi(y))\eta \right) \Psi_\alpha(y; \eta),$$

where $\Psi_\alpha(y; \eta)$ is a polynomial in η with coefficients in $C^\infty(\Omega')$ dependent only on φ , and $\Psi_0 = 1$.

Proof. (sketch) Fix a cutoff function χ_ε supported on $|Y| < 2\varepsilon$ and equal to 1 on $|Y| < \varepsilon$. Define

$$b_\varepsilon = \chi_\varepsilon(y - \tilde{y}) b(y; x, \eta) \in S_{0\text{P},S}^{-\infty,\mathcal{E}}(\mathbb{R}^{2n}; \mathbb{R}_1^{n+1}).$$

From the proof of the previous proposition, we know that

$$B - B_\epsilon =: R_\epsilon \in \Psi_{P,c}^{-\infty, \mathcal{E}_{\text{of}}}(\mathbb{R}^n, \mathbb{R}_1^{n+1}).$$

Let $R_\epsilon = R_\epsilon(x, y, \tilde{y}) d\tilde{y}$. Then R_ϵ has compact support in $\mathbb{R}_1^1 \times \Omega \times \Omega$ again, and

$$(R_\epsilon)_\varphi = R_\epsilon(x, \varphi(y), \varphi(\tilde{y})) |\det J(\varphi)(\tilde{y})| d\tilde{y}$$

where $J(\varphi)$ is the Jacobian matrix of φ . Since φ is a diffeomorphism, $\det J(\varphi)(\tilde{y})$ does not change sign and therefore $|\det J(\varphi)(\tilde{y})|$ is a smooth factor. Moreover, $R_\epsilon(x, \varphi(y), \varphi(\tilde{y}))$ is still smooth, compactly supported on $\mathbb{R}_1^1 \times \Omega' \times \Omega'$, and polyhomogeneous at $x = 0$ with index set \mathcal{E}_{of} . It follows that $(R_\epsilon)_\varphi \in \Psi_{P,c}^{-\infty, \mathcal{E}_{\text{of}}}(\Omega, [0, \varepsilon] \times \Omega)$. Therefore, it suffices to prove that $(B_\epsilon)_\varphi \in \hat{\Psi}_{0P,c}^{-\infty, \mathcal{E}}(\Omega, [0, \varepsilon] \times \Omega)$. The appropriate choice of ϵ is determined by the properties of φ , as explained below.

The Schwartz kernel of B is $K(y; x, y - \tilde{y}) d\tilde{y}$, where $K(y; x, Y)$ is the inverse Fourier transform of $b(y; x, \eta)$. Therefore, the Schwartz kernel of $(B_\epsilon)_\varphi$ is

$$\begin{aligned} & \chi_\epsilon(\varphi(y) - \varphi(\tilde{y})) K(\varphi(y); x, \varphi(y) - \varphi(\tilde{y})) |\det J(\varphi)(\tilde{y})| d\tilde{y} \\ &= \frac{1}{(2\pi)^n} \int e^{i(\varphi(y) - \varphi(\tilde{y}))\eta} b_\epsilon(\varphi(y), \varphi(\tilde{y}); x, \eta) |\det J(\varphi)(\tilde{y})| d\eta d\tilde{y}. \end{aligned}$$

Now, by Taylor's Theorem, we can write

$$\varphi(y) - \varphi(\tilde{y}) = \Phi(y, \tilde{y})(y - \tilde{y}),$$

where $\Phi(y, \tilde{y})$ is a smooth $n \times n$ matrix defined on $\Omega' \times \Omega'$, and we are thinking of $y - \tilde{y}$ as a column vector. We have

$$(B_\epsilon)_\varphi = \left[\frac{1}{(2\pi)^n} \int e^{i(y - \tilde{y}) \cdot \Phi^T(y, \tilde{y})\eta} b_\epsilon(\varphi(y), \varphi(\tilde{y}); x, \eta) |\det J(\varphi)(\tilde{y})| d\eta \right] d\tilde{y}.$$

Since $\Phi(y, y) = J(\varphi)(y)$ and φ is a diffeomorphism $\Omega' \rightarrow \Omega$, $J(\varphi)(y)$ is invertible for every $y \in \Omega'$. Let Z be a compact subset of Ω such that the support of B is contained in $\mathbb{R}_1^1 \times Z \times Z$, and call $Z' = \varphi^{-1}(Z)$. Then $\Phi^T(y, \tilde{y})$ has a smooth inverse in $Z' \times Z' \cap |y - \tilde{y}| < \epsilon$ for $\epsilon > 0$ sufficiently small, and we can write

$$(B_\epsilon)_\varphi = \text{Op}^P \left((b_\epsilon)_\varphi \right)$$

with

$$(b_\epsilon)_\varphi = b_\epsilon \left(\varphi(y), \varphi(\tilde{y}); x, (\Phi^T(y, \tilde{y}))^{-1} \eta \right) |\det J(\varphi)(\tilde{y})| \left| \det (\Phi^T(y, \tilde{y}))^{-1} \right|.$$

We now need to prove that $(b_\epsilon)_\varphi \in S_{0P,S}^{-\infty, \mathcal{E}}(\mathbb{R}^{2n}; \mathbb{R}_1^{n+1})$. Since $b_\epsilon \equiv 0$ for y, \tilde{y} away from a compact set, we can without loss of generality assume that $\varphi : \Omega' \rightarrow \Omega$ extends to a diffeomorphism $\overline{\mathbb{R}^n} \rightarrow \overline{\mathbb{R}^n}$. Similarly, we can assume that $(\Phi^T(y, \tilde{y}))^{-1}$ extends to a smooth map $G : \overline{\mathbb{R}^n} \times \overline{\mathbb{R}^n} \rightarrow \text{GL}(n, \mathbb{R}^n)$. It is then sufficient to prove that the multilinear map

$$\begin{aligned} & \mathcal{S}(\mathbb{R}^n) \times \mathcal{S}(\mathbb{R}^n) \times \mathcal{A}_{\text{phg}}^{(\mathcal{E}_{\text{of}}, \mathcal{E}_{\text{ff}}, \infty, \infty)}(\hat{P}_0^2) \rightarrow S_{0P,S}^{-\infty, \mathcal{E}}(\mathbb{R}^{2n}; \mathbb{R}_1^{n+1}) \\ & (c_1(y), c_2(\tilde{y}), b(x, \eta)) \mapsto c_1(\varphi(y)) c_2(\varphi(\tilde{y})) b(x, G(y, \tilde{y})\eta) \end{aligned}$$

is well-defined and continuous. It suffices to prove that the map

$$\begin{aligned} & \mathcal{A}_{\text{phg}}^{(\mathcal{E}_{\text{of}}, \mathcal{E}_{\text{ff}}, \infty, \infty)}(\hat{P}_0^2) \rightarrow C^\infty(\overline{\mathbb{R}^n} \times \overline{\mathbb{R}^n}) \hat{\otimes} \mathcal{A}_{\text{phg}}^{(\mathcal{E}_{\text{of}}, \mathcal{E}_{\text{ff}}, \infty, \infty)}(\hat{P}_0^2) \\ & b(x, \eta) \mapsto b(x, G(y, \tilde{y})\eta) \end{aligned}$$

is well-defined and continuous. It is proved in [Mel96] that every $A \in \text{GL}(n, \mathbb{R})$ extends from \mathbb{R}^n to a diffeomorphism of $\overline{\mathbb{R}^n}$. It follows that the map

$$\begin{aligned} & \gamma : \overline{\mathbb{R}^n} \times \overline{\mathbb{R}^n} \times \hat{P}^2 \rightarrow \hat{P}^2 \\ & (y, \tilde{y}, x, \eta) \mapsto (x, G(y, \tilde{y})\eta) \end{aligned}$$

is a smooth b -map of manifolds with corners. The map γ sends the locus $\{x = 0, |\eta| = \infty\}$ in $\overline{\mathbb{R}^n} \times \overline{\mathbb{R}^n} \times \hat{P}^2$ to the locus $\{x = 0, |\eta| = \infty\}$ in \hat{P}^2 , so it lifts to a smooth b -map

$$\gamma : \overline{\mathbb{R}^n} \times \overline{\mathbb{R}^n} \times \hat{P}_0^2 \rightarrow \hat{P}_0^2.$$

The function $b(x, G(y, \tilde{y})\eta)$ is then simply the pull-back $(\gamma^*b)(y, \tilde{y}, x, \eta)$, and by the pull-back Theorem γ^* is continuous as a map

$$\gamma^* : \mathcal{A}_{\text{phg}}^{(\mathcal{E}_{\text{of}}, \mathcal{E}_{\text{ff}}, \infty, \infty)}(\hat{P}_0^2) \rightarrow C^\infty(\overline{\mathbb{R}}^n \times \overline{\mathbb{R}}^n) \hat{\otimes} \mathcal{A}_{\text{phg}}^{(\mathcal{E}_{\text{of}}, \mathcal{E}_{\text{ff}}, \infty, \infty)}(\hat{P}_0^2).$$

The statement concerning the asymptotic expansion follows by taking the left reduction of $(b_\epsilon)_\varphi$ and its asymptotic expansion. \square

REFERENCES

- [EM90] Charles L. Epstein and Richard B. Melrose. Shrinking tubes and the $\bar{\partial}$ -Neumann problem. *preprint*, 1990.
- [Hin22] Peter Hintz. An Introduction to Microlocal Analysis, 2022.
- [Hin23a] Peter Hintz. Elliptic parametrices in the 0-calculus of Mazzeo and Melrose. *Pure and Applied Analysis*, 5(3):729–766, 2023.
- [Hin23b] Peter Hintz. Microlocal analysis of operators with asymptotic translation- and dilation-invariances. Preprint, arXiv:2302.13803 [math.AP] (2023), 2023.
- [KM15] Thomas Krainer and Gerardo A. Mendoza. Elliptic systems of variable order. *Revista Matemática Iberoamericana*, 31(1):127–160, 2015.
- [KM16] Thomas Krainer and Gerardo A Mendoza. Boundary value problems for first order elliptic wedge operators. *American Journal of Mathematics*, 138(3):585–656, 2016.
- [Lau03] Robert Lauter. Pseudodifferential analysis on conformally compact spaces. *Memoirs of the American Mathematical Society*, 777, 05 2003.
- [LS01] Robert Lauter and Jörg Seiler. Pseudodifferential analysis on manifolds with boundary - a comparison of b-calculus and cone algebra. In *Approaches to Singular Analysis: A Volume of Advances in Partial Differential Equations*, pages 131–166. Springer, 2001.
- [Maz86] Rafe R. Mazzeo. *Hodge cohomology of negatively curved manifolds*. ProQuest LLC, Ann Arbor, MI, 1986. Thesis (Ph.D.)–Massachusetts Institute of Technology.
- [Maz91] Rafe R. Mazzeo. Elliptic theory of differential edge operators. I. *Comm. Partial Differential Equations*, 16(10):1615–1664, 1991.
- [Mel93] Richard Melrose. *The Atiyah-Patodi-Singer index theorem*. AK Peters/CRC Press, 1993.
- [Mel96] Richard B. Melrose. *Differential analysis on manifolds with corners*. In preparation, 1996.
- [MM83] Richard Melrose and Gerardo Mendoza. *Elliptic operators of totally characteristic type*. Mathematical Sciences Research Institute New York, 1983.
- [MM87] Rafe R. Mazzeo and Richard B. Melrose. Meromorphic extension of the resolvent on complete spaces with asymptotically constant negative curvature. *J. Funct. Anal.*, 75(2):260–310, 1987.
- [MU08] Richard B. Melrose and Gunther Uhlmann. *An introduction to microlocal analysis*. Department of Mathematics, Massachusetts Institute of Technology, 2008.
- [MV14] Rafe R. Mazzeo and Boris Vertman. Elliptic theory of differential edge operators, II: Boundary value problems. *Indiana Univ. Math. J.*, 63(6):1911–1955, 2014.
- [Sch91] B.W. Schulze. *Pseudo-Differential Operators on Manifolds with Singularities*. Studies in Mathematics and its Applications. North Holland, 1991.
- [Sch94] Bert-Wolfgang Schulze. Pseudo-differential operators, ellipticity, and asymptotics on manifolds with edges. In *Partial differential equations. Models in physics and biology. Contributions to the conference, held in Han-sur-Lesse, Belgium, in December 1993*, pages 290–328. Berlin: Akademie Verlag, 1994.
- [Sch02] Bert-Wolfgang Schulze. Operators with symbol hierarchies and iterated asymptotics. *Publ. Res. Inst. Math. Sci.*, 38(4):735–802, 2002.
- [Trè67] François Trèves. *Topological vector spaces, distributions and kernels*, volume 25 of *Pure Appl. Math.*, Academic Press. New York-London: Academic Press, 1967.
- [Usu22] Marco Usula. *0-elliptic boundary value problems*. 2022. Thesis (Ph.D.) KU Leuven, Faculty of Science.