

Vertex-distinguishing and sum-distinguishing edge coloring of regular graphs

Yuping Gao* Songling Shan[†] Guanghui Wang[‡]

December 11, 2024

Abstract

Given an integer $k \geq 1$, an edge- k -coloring of a graph G is an assignment of k colors $1, \dots, k$ to the edges of G such that no two adjacent edges receive the same color. A vertex-distinguishing (resp. sum-distinguishing) edge- k -coloring of G is an edge- k -coloring such that for any two distinct vertices u and v , the set (resp. sum) of colors taken from all the edges incident with u is different from that taken from all the edges incident with v . The vertex-distinguishing chromatic index (resp. sum-distinguishing chromatic index), denoted $\chi'_{vd}(G)$ (resp. $\chi'_{sd}(G)$), is the smallest value k such that G has a vertex-distinguishing-edge- k -coloring (resp. sum-distinguishing-edge- k -coloring). Let G be a d -regular graph on n vertices, where n is even and sufficiently large. We show that $\chi'_{vd}(G) = d+2$ if d is arbitrarily close to $n/2$ from above, and $\chi'_{sd}(G) = d+2$ if $d \geq \frac{2n}{3}$. Our first result strengthens a result of Balister et al. in 2004 for such class of regular graphs, and our second result constitutes a significant advancement in the field of sum-distinguishing edge coloring. To achieve these results, we introduce novel edge coloring results which may be of independent interest.

Keywords: Edge coloring; vertex-distinguishing edge coloring; sum-distinguishing edge coloring

*Lanzhou University, School of Mathematics and Statistics, Lanzhou 730000, China.

[†]Auburn University, Department of Mathematics and Statistics, Auburn, AL 36849, USA.

[‡]Shandong University, School of Mathematics, Jinan 250100, China.

1 Introduction

Graphs in this paper are simple and finite. Let G be a graph. The vertex set and edge set of G are denoted by $V(G)$ and $E(G)$, respectively. Let $v \in V(G)$ and $S \subseteq V(G)$. Then $N_G(v)$ is the set of neighbors of v in G , $d_G(v) := |N_G(v)|$ is the degree of v in G , and $d_S(v) = |N_G(v) \cap S|$. The subgraph of G induced on S is denoted by $G[S]$. For any two disjoint subsets $A, B \subseteq V(G)$, we use $E_G(A, B)$ to denote the set of edges in G with one endvertex in A and the other endvertex in B . For $F \subseteq E(G)$, $G[F]$ is the subgraph of G induced on F . For $e \in E(G)$, $G - e$ is obtained from G by deleting e . For two integers p and q , let $[p, q] = \{i \in \mathbb{Z} \mid p \leq i \leq q\}$.

Given an integer $k \geq 0$, an *edge- k -coloring* of a graph G is an assignment of k colors from $[1, k]$ to the edges of G such that no two adjacent edges receive the same color. A *color class* of the coloring is the set of edges assigned with the same color. The *chromatic index* of G , denoted $\chi'(G)$, is the minimum integer k such that G admits an edge- k -coloring. In 1960s, Gupta [8] and Vizing [17] independently proved that for all graphs G , $\Delta(G) \leq \chi'(G) \leq \Delta(G) + 1$. Various edge coloring variants have been studied, often imposing additional constraints. For example, acyclic edge coloring and list edge coloring. In this paper, we focus on two specific variants: vertex-distinguishing edge coloring and sum-distinguishing edge coloring.

Given an edge- k -coloring φ , we can deduce two distinct vertex labelings of G based on φ as follows. For each $v \in V(G)$, let $s_\varphi(v) = \{\varphi(vu) \mid u \in N_G(v)\}$ and $\omega_\varphi(v) = \sum_{u \in N_G(v)} \varphi(vu)$. We call φ a *vertex-distinguishing edge- k -coloring (vd-edge- k -coloring)* if $s_\varphi(u) \neq s_\varphi(v)$ for any distinct $u, v \in V(G)$, and we call φ a *sum-distinguishing edge- k -coloring (sd-edge- k -coloring)* if $\omega_\varphi(u) \neq \omega_\varphi(v)$ for any distinct $u, v \in V(G)$. The *vertex-distinguishing chromatic index* (resp. *sum-distinguishing chromatic index*), denoted $\chi'_{vd}(G)$ (resp. $\chi'_{sd}(G)$), is the smallest value k such that G has a vd-edge- k -coloring (resp. sd-edge- k -coloring). It is clear that $\chi'(G) \leq \chi'_{vd}(G) \leq \chi'_{sd}(G)$.

Vertex-distinguishing edge coloring was introduced independently by Burriss and Schelp in [6], and by Aigner et al. in [1]. A graph G has a vd-edge- k -coloring or sd-edge- k -coloring if and only if G contains at most one isolated vertex and no isolated edges. In [6], the vertex-distinguishing chromatic index was established for complete graphs, complete bipartite graphs, paths and cycles. Burriss and Schelp also proposed the following conjecture.

Conjecture 1.1 (Burriss and Schelp [6]). *Let G be a graph with at most one isolated vertex and with no isolated edge. Let $\pi(G) = \min\{k \in \mathbb{N} \mid \binom{k}{d} \geq n_d\}$ for all $\delta(G) \leq$*

$d \leq \Delta(G)$, where n_d is the number of vertices with degree d in G . Then $\chi'_{vd}(G) \in \{\pi(G), \pi(G) + 1\}$.

Conjecture 1.1 was confirmed for graphs G with $\Delta(G) = 2$ [3]. In [4], the authors proved that $\chi'_{vd}(G) \leq |V(G)| + 1$ for any graph G that has at most one isolated vertex but no isolated edge. Later, they proved that $\chi'_{vd}(G) \leq \Delta(G) + 5$ for any graph G with $\delta(G) > \frac{|V(G)|}{3}$ [5]. The minimum degree condition above was improved to a minimum degree sum condition in [11]. Conjecture 1.1 was also confirmed for graphs G with $\Delta(G) \geq \sqrt{2|V(G)|} + 4$ and $\delta(G) \geq 5$ [2]. In this paper we will give the exact value of vertex-distinguishing edge chromatic index for large regular graphs with even order and it strengthens the result in [2] for such classes of graphs. Furthermore, we make some advancement in the field of sum-distinguishing edge coloring.

Theorem 1.2. *The following statements hold.*

- (i) *For any $0 < \varepsilon < 1$, there exists $n_0 \in \mathbb{N}$ such that if G is a d -regular graph on $n \geq n_0$ vertices with $d \geq \frac{(1+\varepsilon)n}{2}$ and n even, then $\chi'_{vd}(G) = d + 2$.*
- (ii) *There exists $n_0 \in \mathbb{N}$ such that if G is a d -regular graph on $n \geq n_0$ vertices with $d \geq \frac{2n}{3}$ and n even, then $\chi'_{sd}(G) = d + 2$.*

To the best of our knowledge, Theorem 1.2(ii) represents the first major breakthrough in the field of sum-distinguishing edge coloring, which has historically faced significant challenges. The work in [12] serves as a foundational reference in this area, where the authors calculated both the vertex-distinguishing chromatic index and the sum-distinguishing chromatic index for complete graphs.

Theorem 1.3 (Mahéo and Saclé [12]). *If $n \geq 3$, then*

$$\chi'_{vd}(K_n) = \chi'_{sd}(K_n) = \begin{cases} n & \text{if } n \text{ is odd;} \\ n + 1 & \text{if } n \text{ is even.} \end{cases}$$

The remainder of this paper is organized as follows. We provide necessary preliminaries in the next section, and then we prove Theorem 1.2 in Section 3.

2 Preliminaries

Let G be a graph. A *matching* M in G is a set of vertex-disjoint edges. The set of vertices *covered* or *saturated* by M is denoted by $V(M)$. We say that M is *perfect* if

$V(M) = V(G)$. The following result can be easily proved by applying Hall's Theorem, and one can also find a short proof in Lemma 9 of [16].

Lemma 2.1. *Let $G[X, Y]$ be a bipartite graph with $|X| = |Y| = n$. If $\delta(G) \geq n/2$, then G has a perfect matching.*

Given an integer $k \geq 1$, a k -coloring of G is an assignment of k colors from $[1, k]$ to the vertices of G such that adjacent vertices receive different colors. Given a k -coloring φ , and given any $i \in [1, k]$, we call $V_i = \{v \in V(G) : \varphi(v) = i\}$ the i th color class of φ ; if $|V_i|, |V_j|$ differ by at most one for any $i, j \in [1, k]$, then we say that φ is *equitable*. Hajnal and Szemerédi [9] in 1970 proved the following classic result.

Theorem 2.2 (Hajnal and Szemerédi [9]). *Let G be a graph and let $k \geq \Delta(G) + 1$ be any integer. Then G has an equitable k -coloring.*

The remainder of this section focuses on establishing key results related to edge coloring graphs with precolored edges.

Theorem 2.3 (König [10]). *Every bipartite graph G satisfies $\chi'(G) = \Delta(G)$.*

An edge- k -coloring of a graph G is *equitable* if each color class has size $\lfloor |E(G)|/k \rfloor$ or $\lceil |E(G)|/k \rceil$. The following theorem by McDiarmid from 1972 states that every graph has an equitable edge coloring as long as at least $\chi'(G)$ colors are given.

Theorem 2.4 (McDiarmid [13]). *Let G be a graph and $k \geq \chi'(G)$ be an integer. Then G has an equitable edge- k -coloring.*

An equitable edge coloring can always be achieved by modifying an arbitrary given edge coloring. We will establish a result analogous to Theorem 2.4 by modifying a given edge coloring, while preserving the colors of specific edges. To state our result, we provide some definitions.

Let G be a graph, $k \geq 0$ be an integer, and φ be an edge- k -coloring of G . For $v \in V(G)$, denote by $\bar{\varphi}(v)$ the set of colors *missing* at v , that is, the set of all colors in $[1, k]$ that are not used on any edge incident to v under φ . For $i \in [1, k]$, denote by $\bar{\varphi}^{-1}(i)$ the set of all vertices in G which are missing color i under φ . For a vertex set $X \subseteq V(G)$, define $\bar{\varphi}(X) = \cup_{v \in X} \bar{\varphi}(v)$ to be the set of missing colors of X . Given any pair of distinct colors $\alpha, \beta \in [1, k]$, each component of the subgraph of G induced on all edges colored by α or β is either a cycle or a path. Each of such component is called an (α, β) -*chain of G with respect to φ* . Interchanging α and β on an (α, β) -chain C of G gives a new edge- k -coloring, which is denoted by φ/C . This operation is called a *Kempe change*.

If an (α, β) -chain P is a path with one endvertex as x , we also denote it by $P_x(\alpha, \beta, \varphi)$, and we just write $P_x(\alpha, \beta)$ if φ is understood. For a vertex u and an edge uv contained in $P_x(\alpha, \beta, \varphi)$, we write $u \in P_x(\alpha, \beta, \varphi)$ and $uv \in P_x(\alpha, \beta, \varphi)$.

We are now ready to state and prove the following result. The case $m = 1$ of the result was proved in [7].

Lemma 2.5. *Let G be a graph and φ_0 be an edge- k -coloring of G . Suppose $E_0 \subseteq E(G)$ such that each color in $[1, k]$ is used on at most m edges of E_0 , where $m \geq 0$ is an integer. Then G has an edge- k -coloring φ such that*

$$||\overline{\varphi}^{-1}(i)| - |\overline{\varphi}^{-1}(j)|| \leq 4m + 1$$

for all $i, j \in [1, k]$ and that $\varphi(e) = \varphi_0(e)$ for any $e \in E_0$.

Proof. We call an edge- k -coloring of G *good* if each color is used on at most m distinct edges of E_0 . Among all good edge- k -colorings of G , we choose φ so that $\varphi(e) = \varphi_0(e)$ for any edge $e \in E_0$ and

$$g_\varphi := \max\{||\overline{\varphi}^{-1}(i)| - |\overline{\varphi}^{-1}(j)|| \mid i, j \in [1, k]\}$$

is minimum. If $g_\varphi \leq 4m + 1$, then we are done, so suppose not. Thus there are colors $\alpha, \beta \in [1, k]$ such that

$$||\overline{\varphi}^{-1}(\alpha)| - |\overline{\varphi}^{-1}(\beta)|| = g_\varphi \geq 4m + 2. \quad (1)$$

We may further assume that φ has been chosen so as to minimize the number of pairs α, β satisfying (1); let h_φ be the number of these pairs.

Without loss of generality, suppose that $|\overline{\varphi}^{-1}(\alpha)| - |\overline{\varphi}^{-1}(\beta)| \geq 4m + 2$. There are at most $2m$ edges from E_0 that are colored from $\{\alpha, \beta\}$. Thus there are at most $4m$ vertices from $\overline{\varphi}^{-1}(\alpha)$ that are endvertices of $2m$ (α, β) -chains (path chains) that each contains an edge of E_0 . At most $|\overline{\varphi}^{-1}(\beta)|$ vertices from $\overline{\varphi}^{-1}(\alpha)$ are endvertices of $|\overline{\varphi}^{-1}(\beta)|$ (α, β) -chains involving a vertex from $\overline{\varphi}^{-1}(\beta)$. Thus there exist distinct vertices $x, y \in \overline{\varphi}^{-1}(\alpha)$ occurring in one common (α, β) -chain that contains no edge of E_0 . Let P be the (α, β) -chain with endvertices x, y , and let $\psi = \varphi/P$. As P does not contain any edges of E_0 , we have $\varphi(e) = \psi(e)$ for each $e \in E_0$. Hence ψ is a good edge- k -coloring of G . We claim that $g_\psi \leq g_\varphi$ and $h_\psi < h_\varphi$, which yields a contradiction to our choice of φ . By our choice of P , we know that $|\overline{\psi}^{-1}(\alpha)| = |\overline{\varphi}^{-1}(\alpha)| - 2$ and $|\overline{\psi}^{-1}(\beta)| = |\overline{\varphi}^{-1}(\beta)| + 2$. Given (1) and the definition of g_φ , for any other color $\gamma \in [1, k] \setminus \{\alpha, \beta\}$, we have

$$|\overline{\varphi}^{-1}(\alpha)| \geq |\overline{\varphi}^{-1}(\gamma)| \geq |\overline{\varphi}^{-1}(\beta)|.$$

But now, for any pair of colors $\{\alpha', \beta'\}$ satisfying (1), we have

$$||\bar{\psi}^{-1}(\alpha')| - |\bar{\psi}^{-1}(\beta')|| = \begin{cases} g_\varphi & \text{if } \{\alpha', \beta'\} \cap \{\alpha, \beta\} = \emptyset, \\ g_\varphi - 2 & \text{if } \alpha' = \alpha \text{ and } \beta' \neq \beta, \\ g_\varphi - 2 & \text{if } \alpha' \neq \alpha \text{ and } \beta' = \beta, \\ g_\varphi - 4 & \text{if } \alpha' = \alpha \text{ and } \beta' = \beta. \end{cases}$$

Hence we have $g_\psi \leq g_\varphi$ and $h_\psi < h_\varphi$, a contradiction to our choice of φ . \square

Our next result will be proved using the concept of multifans. The technique of multifan is widely used in edge coloring problems and was firstly appeared in the book of Stiebitz et al. [15] as a generalization of Vizing-fan. Let φ be an edge- k -coloring of $G - e_0$ for some edge $e_0 \in E(G)$, and $r \in V(G)$ be a vertex. A *multifan* centered at r with respect to φ is a sequence $F_\varphi(r, s_0 : s_p) = (r, e_0, s_0, e_1, s_1, \dots, e_p, s_p)$ with $p \geq 0$ consisting of distinct edges e_0, \dots, e_p with $e_i = rs_i$ for all $i \in [0, p]$, where e_0 is left uncolored under φ , and for every edge e_i with $i \in [1, p]$, there exists $j \in [0, i - 1]$ such that $\varphi(e_i) \in \bar{\varphi}(s_j)$. Note that if $F_\varphi(r, s_0 : s_p)$ is a multifan, then for any integer $p^* \in [0, p]$, $F_\varphi(r, s_0 : s_{p^*})$ is also a multifan. Given $0 \leq t \leq p$, a subsequence $(s_0 = s_{\ell_0}, s_{\ell_1}, \dots, s_{\ell_t})$ with the property that $\varphi(e_{\ell_i}) = \alpha \in \bar{\varphi}(s_{\ell_{i-1}})$ for each $i \in [1, t]$, is called a *linear sequence* of $F_\varphi(r, s_0 : s_p)$. Given such a linear sequence, and given $h \in \{1, \dots, t\}$, we *shift from s_{ℓ_h} to s_0* by recoloring edge $e_{\ell_{i-1}}$ with $\varphi(e_{\ell_i})$ for all $i \in \{1, \dots, h\}$. Note that the resulting edge coloring is an edge- k -coloring where e_0 is colored and e_{ℓ_h} is not.

Lemma 2.6. *Let G be a graph, $Q \subseteq G$ and $k, c, m \geq 1$ be integers. Suppose that $\Delta(Q) \leq c$ and that Q has an edge- k -coloring φ_0 such that each color $i \in [1, k]$ is used on at most m edges of Q . Then we can extend the coloring φ_0 of Q to an edge coloring of G using at most $\max\{k, \Delta(G) + 4cm - 1\}$ colors.*

Proof. Let $\Delta = \Delta(G)$, $\ell = \max\{k, \Delta(G) + 4cm - 1\}$ and the color set be $[1, \ell]$. We extend φ_0 to a partial edge- ℓ -coloring φ of G by preserving colors of $E(Q)$ such that φ assigns colors to as many edges as possible.

If every edge in G is colored under φ then we are done. Now assume that there is some edge $e_0 = uv$ that is uncolored by φ . Since e_0 is uncolored, we have $e_0 \notin E(Q)$. Let F be a maximal multifan centered at u with respect to e_0 and φ .

Since φ has $\ell \geq \Delta + 4cm - 1$ colors (and uv is uncolored), we know that $|\bar{\varphi}(v)| \geq 4cm$, and each color in $\bar{\varphi}(v)$ must be present at u (otherwise φ could be extended by adding $e_0 = uv$). So there exist linear sequences of F containing no edge of $E(Q)$. Let $F_1 \subseteq F$ be a multifan induced by all the linear sequences of F that don't contain edges of $E(Q)$. Denote by $F_1 = (u, uw_0, w_0, uw_1, w_1, \dots, uw_t, w_t)$, where $w_0 = v$.

Claim 2.7. *Suppose $F_2 \subseteq F_1$ corresponds to the union of any number of linear sequences of F . Then $\overline{\varphi}(u) \cap \overline{\varphi}(w_i) = \emptyset$ for any $w_i \in V(F_2)$.*

Proof. Suppose to the contrary that $\overline{\varphi}(u) \cap \overline{\varphi}(w_i) \neq \emptyset$ for some i . Then there exists a linear sequence $(u, w_0, w_{i_1}, \dots, w_{i_s})$ of F_2 for which $w_{i_s} = w_i$. Shift in $(u, w_0, w_{i_1}, \dots, w_{i_s})$ from w_{i_s} to w_0 and then color the edge uw_i by a color in $\overline{\varphi}(u) \cap \overline{\varphi}(w_i)$. The resulting partial edge- ℓ -coloring φ' of G is an extension of φ_0 , since we excluded the edges of $E(Q)$ from F_1 (and F_2). However, φ' colors more edges than φ does, a contradiction to the choice of φ . \square

Claim 2.8. *For any color $\gamma \in [1, \ell]$, there are at most $4m-1$ vertices from $\{w_0, \dots, w_t\}$ that are all missing γ under φ .*

Proof. Suppose to the contrary that there exists such a color γ that is missed on at least $4m$ vertices from $\{w_0, \dots, w_t\}$. Let y_1, y_2, \dots, y_{4m} be $4m$ distinct vertices of $\{w_0, \dots, w_t\}$ all of which are missing γ under φ . Suppose, without loss of generality, that y_1 is the first vertex in the order w_0, \dots, w_t for which $\gamma \in \overline{\varphi}(y_1)$. In particular, this implies that $F_1(u, w_0 : y_1)$ does not contain any edge that is colored by γ . Let $\alpha \in \overline{\varphi}(u)$, then $\alpha \neq \gamma$ by Claim 2.7. Consider the set \mathcal{P} of (α, γ) -chains starting at u, y_1, \dots, y_{4m} , respectively. At most m edges of $E(Q)$ are colored by α , and at most m edges of $E(Q)$ are colored by γ . So there are at most $4m$ vertices in $\{u, w_0, y_1, \dots, y_{4m}\}$ which can be endvertices of chains in \mathcal{P} . It follows that there is at least one chain $P \in \mathcal{P}$ not containing any edges from $E(Q)$. Let $\varphi' = \varphi/P$ and consider two different cases according to whether or not u is an endvertex of P .

Case 1: The vertex u is an endvertex of P .

Suppose first that the other endvertex of P is y_1 . Then in φ' , u is missing γ . So in particular no edges colored with γ appear in F_1 . If there were any before, then they must have been recolored to α . However since these edges all occur after y_1 in the order of F_1 , and y_1 is missing α in φ' , F_1 is still a multifan in G under φ' . However now Claim 2.7 is not satisfied for φ' , a contradiction to our choice of φ .

Now assume that the other endvertex of P is not y_1 . Note that $F_1(u, w_0 : y_1)$ is a multifan with respect to φ' containing no edges of $E(Q)$. But now the color γ is missing at both u and y_1 under φ' , so Claim 2.7 is not satisfied for φ' , a contradiction to our choice of φ .

Case 2: The vertex u is not an endvertex of P .

In this case P does not contain any edges of F_1 .

First suppose that y_1 is not an endvertex of P . Then F_1 is still a multifan with respect to φ' containing no edges of $E(Q)$. However, the color α is missing at u and at least one other vertex from $\{y_2, \dots, y_{4m}\}$ under φ' . This means that Claim 2.7 is not satisfied for φ' , leading to a contradiction to our choice of φ .

Now assume that y_1 is an endvertex of P . Here, at least $F_1(u, w_0 : y_1)$ is a multifan with respect to φ' containing no edges of $E(Q)$. But now the color α is missing at both u and y_1 under φ' , so Claim 2.7 is not satisfied for φ' , a contradiction to our choice of φ . \square

Claims 2.7 and 2.8 imply that

$$|\overline{\varphi}(V(F_1))| \geq |\overline{\varphi}(u)| + \frac{1}{4m-1} \sum_{i=0}^t |\overline{\varphi}(w_i)|. \quad (2)$$

Let G' be the graph induced on the set of all the colored edges of G . Then $|\overline{\varphi}(z)| = \ell - d_{G'}(z) \geq \Delta + 4cm - 1 - d_{G'}(z)$ for all $z \in V(G)$. Since $d_{G'}(z) \leq \Delta$, we know that $|\overline{\varphi}(z)| \geq 4cm - 1$ for any z . Since the edge uw_0 is uncolored, we further know that $|\overline{\varphi}(w_0)| \geq 4cm$. So from (2), we get

$$\begin{aligned} |\overline{\varphi}(V(F_1))| &\geq (\Delta + 4cm - 1 - d_{G'}(u)) + \frac{4cm}{4m-1} + \frac{1}{4m-1} \cdot (4cm-1)t \\ &> \Delta + 4cm + c - 1 + ct - d_{G'}(u). \end{aligned} \quad (3)$$

On the other hand, there are exactly t colored edges in F_1 . So there are exactly $d_{G'}(u) - t$ colored edges incident to u that are not included in F_1 . Furthermore, at most c of these excluded colored edges could be in $E(Q)$ as $d_Q(u) \leq c$. By the definition of F_1 , none of the above excluded colors are in $\overline{\varphi}(V(F_1))$. Hence we have found a set of at least $d_{G'}(u) - t - c$ colors from $[1, \Delta + 4cm - 1]$ that are not in $\overline{\varphi}(V(F_1))$. So

$$|\overline{\varphi}(V(F_1))| \leq (\Delta + 4cm - 1) - (d_{G'}(u) - t - c) = \Delta + 4cm + t + c - 1 - d_{G'}(u),$$

contradicting (3). \square

As the number of vertices covered by a matching is always even, we have the following lemma.

Lemma 2.9. *Let G be a graph and φ be an edge- k -coloring of G for some $k \geq \Delta(G)$. Then $|\overline{\varphi}^{-1}(i)| \equiv |V(G)| \pmod{2}$ for every color $i \in [1, k]$.*

We will also need the following partition lemma by the second author.

Lemma 2.10 (Shan [14]). *There exists a positive integer n_0 such that for all $n \geq n_0$ the following holds. Let G be a graph on $2n$ vertices, and $N = \{x_1, y_1, \dots, x_t, y_t\} \subseteq V(G)$, where $1 \leq t \leq n$ is an integer. Then $V(G)$ can be partitioned into two parts A and B satisfying the properties below:*

- (i) $|A| = |B|$;
- (ii) $|A \cap \{x_i, y_i\}| = 1$ for each $i \in [1, t]$;
- (iii) $|d_A(v) - d_B(v)| \leq n^{\frac{2}{3}}$ for each $v \in V(G)$.

Furthermore, one such partition can be constructed in $O(2n^3 \log_2(2n^3))$ -time.

Combinatorial design theory traces its origins to statistical theory of experimental design but also to recreational mathematics of the 19th century and to geometry. A *balanced incomplete block design* (BIBD) with parameters (ν, b, r, k, λ) is an ordered pair (Ω, \mathcal{B}) where Ω is a finite ν -element set of elements or points, $\mathcal{B} = \{B_1, B_2, \dots, B_b\}$ is a family of k -element subsets of Ω , called *blocks* such that every point is contained in exactly r blocks, every 2-subset of Ω is contained in exactly λ blocks, and $k < \nu$. It is well known that there exists a $(9, 12, 4, 3, 1)$ -BIBD. We will need this in the proof of Theorem 1.2(i).

3 Proof of Theorem 1.2

We will prove Theorem 1.2(i) and (ii) together. The proof requires different discussion in the initial and last steps, but the rest parts are basically the same.

We choose n_0 to be at least the n_0 specified in Lemma 2.10 such that $1/n_0 \ll \varepsilon \ll 1$. Let G be a d -regular graph on $n \geq n_0$ vertices, where n is even. We are done by Proposition 1.3 if $G = K_n$. Thus assume that G is not K_n . Then we have $\chi'_{vd}(G) \geq \pi(G) \geq d+2$. To prove the theorem, it suffices to show that $\chi'_{vd}(G) \leq d+2$ when $d \geq \frac{(1+\varepsilon)n}{2}$ and $\chi'_{sd}(G) \leq d+2$ when $d \geq \frac{2n}{3}$ as $\chi'_{vd}(G) \leq \chi'_{sd}(G)$.

For Theorem 1.2(i), we will add to G the edges of a 2-regular graph Q on $V(G)$ and precolor the new added edges from Q (multiple edges may occur in the resulting multigraph G^*). We then extend the precoloring on the edges of Q to an edge- $(d+2)$ -coloring φ of G^* . By making the initial edge coloring on edges from Q to be vertex-distinguishing, the restriction of φ on G gives a vd-edge- $(d+2)$ -coloring

of G as G^* is $(d + 2)$ -regular. For Theorem 1.2(ii), we will find in G a spanning subgraph Q with maximum degree at most 3 and precolor its edges. We then extend the precoloring of Q to G using d colors. As G is d -regular, the sums of colors on edges incident with all vertices are equal after the extension. In the last step, we modify colors on some edges of Q by using two new colors. By carefully designing the initial precoloring of Q 's edges and recoloring some of its edges using two new colors in the last step, we can ensure that the resulting coloring is sum-distinguishing. We now provide details for the construction of the colorings.

Initial Step: Definition of Q and its pre-edge-coloring φ_0

Let $n = 3q + r$, where $q \in \mathbb{N}$ and $r \in [0, 2]$.

For Theorem 1.2(i), we let Q to be a 2-regular graph on $V(G)$ defined as follows:

- If $r = 0$, then Q is the vertex-disjoint union of q copies of 3-cycles;
- If $r = 1$, then Q is the vertex-disjoint union of $q - 1$ copies of 3-cycles and one copy of a 4-cycle;
- If $r = 2$, then Q is the vertex-disjoint union of $q - 1$ copies of 3-cycles and one copy of a 5-cycle.

Let G^* be the multigraph obtained from G by adding all edges of $E(Q)$. Then G^* is $(d + 2)$ -regular.

Let $c \geq 10$ be the smallest constant such that $\lfloor \frac{n}{4} \rfloor + c = 3t$ for some $t \in \mathbb{N}$. We define t pairwise nonintersecting sets as $T_i = \{3i - 2, 3i - 1, 3i\}$ for $i \in [1, t]$. For each $j \in [1, \lfloor \frac{t}{3} \rfloor]$, there exists a $(9, 12, 4, 3, 1)$ -BIBD on the set

$$T_{3j-2} \cup T_{3j-1} \cup T_{3j} = \{9j - 8, 9j - 7, 9j - 6, 9j - 5, 9j - 4, 9j - 3, 9j - 2, 9j - 1, 9j\}$$

as follows:

$$\begin{aligned} B_j^1 &= \{9j - 8, 9j - 7, 9j - 6\}, & B_j^2 &= \{9j - 5, 9j - 4, 9j - 3\}, \\ B_j^3 &= \{9j - 2, 9j - 1, 9j\}, & B_j^4 &= \{9j - 8, 9j - 5, 9j - 2\}, \\ B_j^5 &= \{9j - 7, 9j - 4, 9j - 1\}, & B_j^6 &= \{9j - 6, 9j - 3, 9j\}, \\ B_j^7 &= \{9j - 8, 9j - 4, 9j\}, & B_j^8 &= \{9j - 7, 9j - 3, 9j - 2\}, \\ B_j^9 &= \{9j - 6, 9j - 5, 9j - 1\}, & B_j^{10} &= \{9j - 8, 9j - 3, 9j - 1\}, \\ B_j^{11} &= \{9j - 7, 9j - 5, 9j\}, & B_j^{12} &= \{9j - 6, 9j - 4, 9j - 2\}. \end{aligned}$$

Thus we created in total

$$\begin{aligned} 12 \times \left\lfloor \frac{t}{3} \right\rfloor &\geq 12 \left(\frac{t}{3} - 1 \right) = 4 \left(\frac{1}{3} \left\lfloor \frac{n}{4} \right\rfloor + \frac{c}{3} \right) - 12 \geq \frac{4}{3} \left(\frac{n}{4} - 1 \right) + \frac{4c}{3} - 12 \\ &\geq \frac{n}{3} + \frac{4c}{3} - \frac{40}{3} \geq \frac{n}{3} \end{aligned}$$

3-sets. We let $B_1, \dots, B_{\lfloor \frac{n}{3} \rfloor}$ be $\lfloor \frac{n}{3} \rfloor$ of these 3-sets.

For each C_3^i of the $\lfloor \frac{n}{3} \rfloor$ 3-cycles of Q , where $i \in [1, \lfloor \frac{n}{3} \rfloor]$, we edge color its three edges by using the three elements from B_i . If $r = 1$, we use additional 4 new colors from $[1, d+2] \setminus (\bigcup_{i=1}^{\lfloor \frac{n}{3} \rfloor} B_i)$ to edge color the four edges of the 4-cycle of Q such that each edge of the 4-cycle is assigned with a different color. If $r = 2$, we use additional 5 new colors from $[1, d+2] \setminus (\bigcup_{i=1}^{\lfloor \frac{n}{3} \rfloor} B_i)$ to edge color the five edges of the 5-cycle of Q such that each edge of the 5-cycle is assigned with a different color. Denote by φ_0 this initial edge coloring of Q . By the definition of BIBD, φ_0 is a vertex-distinguishing edge coloring of Q . Denote by C_1 the set of colors used on edges of Q .

For Theorem 1.2(ii), we first define a set C_0 as follows. As d is an integer, $d \geq \frac{2n}{3}$ implies that $d \geq \lceil \frac{2n}{3} \rceil = 2q + r$. Thus $d + 2 \geq 2q + r + 2$. Let

$$C_0 = \begin{cases} \{2, 2q + 2\} & \text{if } q \text{ is odd,} \\ \{2, 2q\} & \text{if } r \in [0, 1] \text{ and } q \text{ is even,} \\ \{2, 2q + 4\} & \text{if } r = 2 \text{ and } q \text{ is even.} \end{cases}$$

Claim 3.1. *The graph G has a spanning subgraph Q such that Q is defined as follows:*

- *If $r = 0$, then Q is the vertex-disjoint union of q copies of $K_{1,2}$;*
- *If $r = 1$, then Q is the vertex-disjoint union of $q - 1$ copies of $K_{1,2}$ and one copy of $K_{1,3}$;*
- *If $r = 2$, then Q is the vertex-disjoint union of $q - 1$ copies of $K_{1,2}$ and one copy of the graph obtained from $K_{1,3}$ by subdividing exactly one edge.*

Proof. As d is an integer, $d \geq \frac{2n}{3}$ implies that $d \geq \lceil \frac{2n}{3} \rceil = 2q + r$. Thus the complement graph \overline{G} of G is $(n - 1 - d)$ -regular with $n - 1 - d \leq n - 1 - 2q - r = q - 1$.

If $r \in [0, 1]$, applying Theorem 2.2 with $k = q$, we get an equitable q -coloring φ of \overline{G} . Let V_1, V_2, \dots, V_q be the color classes of φ in \overline{G} . Then exactly $q - r$ of the V_i 's have size 3, while the remaining r have size 4. Thus by deleting suitable edges from each component of $\bigcup_{i=1}^q G[V_i]$, we get a desired spanning subgraph Q for G .

If $r = 2$, applying Theorem 2.2 with $k = q + 1$, we get an equitable $(q + 1)$ -coloring φ of \overline{G} . Let V_1, V_2, \dots, V_{q+1} be the color classes of φ in \overline{G} . Then exactly q of the V_i 's have size 3 and the rest one has size 2. Thus exactly q of the components of $\bigcup_{i=1}^{q+1} G[V_i]$ are triangles while one is an edge. Let uv be the component of $\bigcup_{i=1}^{q+1} G[V_i]$ that is an edge. As $d_G(u) \geq \frac{2n}{3}$, u is adjacent in G to a vertex from a triangle component of $\bigcup_{i=1}^{q+1} G[V_i]$. Thus G contains a spanning subgraph Q^* with q components such that $q - 1$ of the components are triangles and one is the graph obtained from a triangle and a vertex-disjoint K_2 by adding exactly one edge between them. Let Q be obtained from Q^* by deleting exactly one edge from the cycle of each of its components. Then Q is the desired spanning subgraph of G . \square

We label the vertices of Q for easier reference. In Q , the q vertices that are adjacent to vertices of degree 1 are denoted by v_1, \dots, v_q , respectively. In particular, if $r \in [1, 2]$, we let v_q be the vertex that is of degree 3 in Q . For each $i \in [1, q]$, two vertices of degree 1 that are adjacent to v_i are labeled by u_i and x_i , respectively. If $r = 1$, then the last so far unlabeled vertex adjacent to v_q is labeled by y_q . If $r = 2$, then the so far unlabeled vertex that is adjacent to v_q is labeled by y_q and then the vertex of degree 1 that is adjacent to y_q is labeled by z_q . See Figure 1 for an illustration of the labeling of the vertices of Q .

Let $C_1 = \{2i + 1 \mid i \in [0, q]\}$ if $r \in [0, 1]$, $C_1 = \{2i + 1 \mid i \in [0, q]\} \cup \{2q - 2\}$ if $r = 2$ and q is odd, and $C_1 = \{2i + 1 \mid i \in [0, q]\} \cup \{2q\}$ if $r = 2$ and q is even. We now give a pre-edge coloring φ_0 of Q using colors from C_1 as follows: For each $i \in [1, q]$, let

$$\begin{aligned} \varphi_0(v_i u_i) &= 2i - 1, \\ \varphi_0(v_i x_i) &= 2i + 1, \\ \varphi_0(v_q y_q) &= 1 \quad \text{if } r = 1, \\ \varphi_0(v_q y_q) &= 2q - 2 \quad \text{and} \quad \varphi_0(y_q z_q) = 2q + 1 \quad \text{if } r = 2 \text{ and } q \text{ is odd,} \\ \varphi_0(v_q y_q) &= 2q \quad \text{and} \quad \varphi_0(y_q z_q) = 2q + 1 \quad \text{if } r = 2 \text{ and } q \text{ is even.} \end{aligned}$$

See Figure 1 for an illustration of the coloring φ_0 .

Let $m = \frac{n}{2}$. For Theorem 1.2(i), we let $d^* = d + 2$ and $C_0 = \emptyset$; and for Theorem 1.2(ii), we let $d^* = d$ and $G^* = G$. We will construct an edge- d^* -coloring of G^* in six steps. In the first five steps, we extend the precoloring φ_0 of Q to G^* using d^* colors from $[1, d + 2] \setminus C_0$. As G^* is d^* -regular, the set of colors on edges incident with all vertices are equal at this stage. In the last step, for Theorem 1.2(i), we delete edges of Q from G^* ; and for Theorem 1.2(ii), we modify colors on some edges of Q

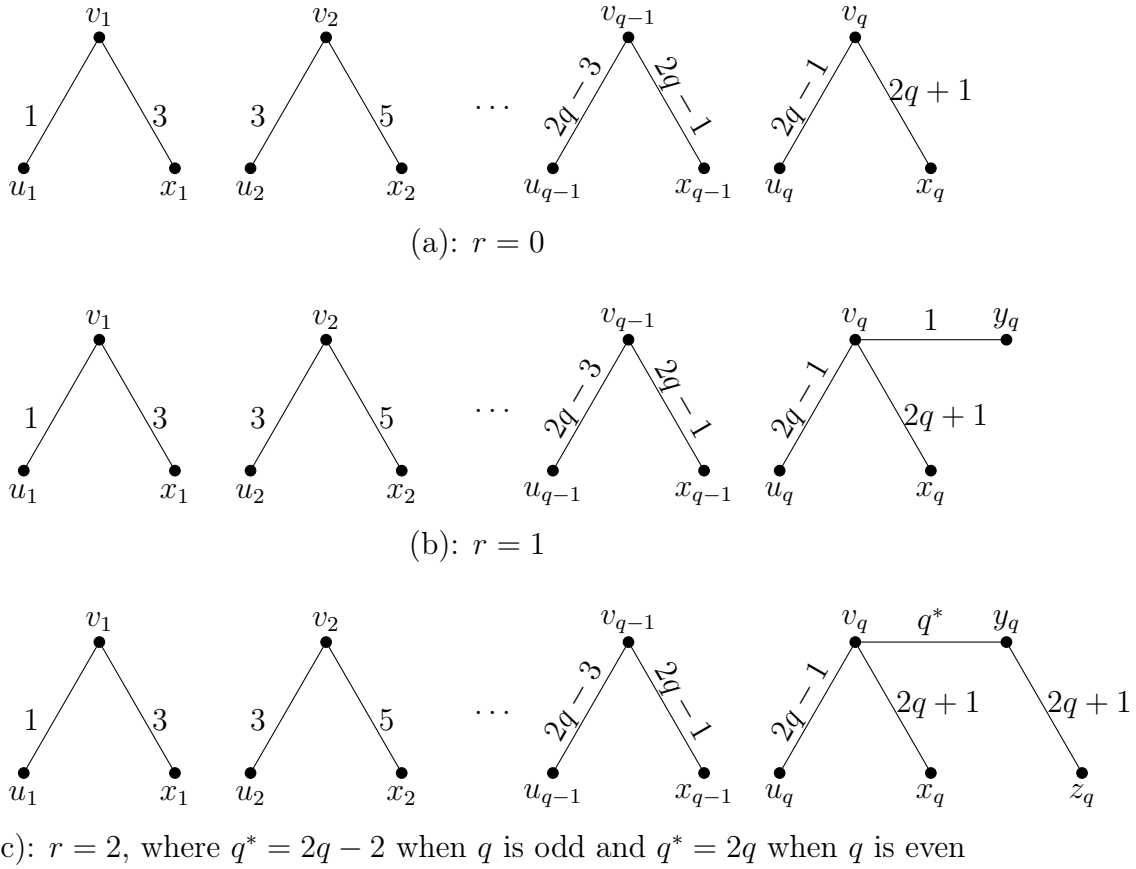


Figure 1: The pre-coloring φ_0 of Q for Theorem 1.2(ii)

by using the two colors from C_0 . We now provide the detailed coloring process for the remainder of this proof, and we use $\frac{1}{2}(1 + \varepsilon)n$ as a lower bound on d .

Step 1: Partition $V(G^*)$

Applying Lemma 2.10 with $N = \emptyset$, we partition $V(G^*)$ into sets A and B such that

(P1) $|A| = |B|$ and

(P2) $|d_A(v) - d_B(v)| \leq m^{\frac{2}{3}}$ for each $v \in V(G^*)$.

Let

$$G_A^* = G^*[A], \quad G_B^* = G^*[B], \quad G_{A,B}^* = G_A^* \cup G_B^* \cup Q, \quad \text{and} \quad H = G^*[E_{G^*}(A, B)].$$

Then for any vertex $v \in V(G^*)$, we have that

$$\begin{aligned} d_A(v) &= \frac{1}{2}((d_A(v) + d_B(v)) + (d_A(v) - d_B(v))) \geq \frac{1}{2}(d^* - m^{\frac{2}{3}}), \\ \delta(G_{A,B}^*) &\geq \frac{1}{2}(d^* - m^{\frac{2}{3}}). \end{aligned} \quad (4)$$

Analogously, since $\Delta(Q) \leq 3$, we have

$$\Delta(G_{A,B}^*) \leq \frac{1}{2}(d^* + m^{\frac{2}{3}}) + 3. \quad (5)$$

Since $d_G(v) = d^*$ for any $v \in V(G^*)$ and $|A| = |B|$, we have $\sum_{v \in A} d_{G^*}(v) = \sum_{v \in B} d_{G^*}(v)$. As a consequence,

$$|E(G_A^*)| = \frac{1}{2} \left(\sum_{v \in A} d_{G^*}(v) - |E_{G^*}(A, B)| \right) = |E(G_B^*)|. \quad (6)$$

Step 2: Extend φ_0 to an edge coloring φ of $G_{A,B}^*$

Note that $\Delta(Q) \leq 3$, and under φ_0 , each color from C_1 is used on at most four edges of Q . Thus by Lemma 2.6, we can extend φ_0 to an edge coloring φ of $G_{A,B}^*$ using at most $\max\{|C_1|, \Delta(G_{A,B}^*) + 4 \times 3 \times 4 - 1 = \Delta(G_{A,B}^*) + 47\}$ colors. As $\Delta(G_{A,B}^*) \leq \frac{1}{2}(d^* + m^{\frac{2}{3}}) + 3$ by (5) and $|C_1| < \frac{1}{2}(d^* + m^{\frac{2}{3}}) + 3$, letting $k = \lceil \frac{1}{2}(d^* + m^{\frac{2}{3}}) \rceil + 50$, we extend φ_0 to an edge coloring φ of $G_{A,B}^*$ using k colors from $[1, d+2] \setminus C_0$. Denote by C_2 the set of the k colors used by φ . As φ is an extension of φ_0 , we have $C_1 \subseteq C_2$. Furthermore, by Lemma 2.5, the edge coloring φ of $G_{A,B}^*$ can be chosen such that

$$||\overline{\varphi}^{-1}(\alpha)| - |\overline{\varphi}^{-1}(\beta)|| \leq 17 \quad (7)$$

for any $\alpha, \beta \in C_2$.

As $|\overline{\varphi}(v)| = k - d_{G_{A,B}^*}(v) \leq \frac{1}{2}(d^* + m^{\frac{2}{3}}) + 51 - \frac{1}{2}(d^* - m^{\frac{2}{3}}) \leq m^{\frac{2}{3}} + 51$ by the definition of k and (4) for each $v \in V(G^*)$, we know that the average number of vertices missing any particular color is at most

$$\frac{2m(m^{2/3} + 51)}{k} < \frac{2m(m^{2/3} + 51)}{m/2} < 5m^{2/3} - 17. \quad (8)$$

By (7), we get

$$|\overline{\varphi}^{-1}(\alpha)| < 5m^{2/3} \text{ for any } \alpha \in C_2. \quad (9)$$

Step 3: Extend the k color classes of φ into k perfect matchings

During this step, by swapping colors along alternating paths (paths with edges alternating between uncolored edges of H and edges with a given color), we will increase the size of the k color classes obtained in Step 2 until each color class is a perfect matching of G^* . The edge coloring φ_0 of Q is preserved in this process. However, we will uncolor some of the edges of G_A^* and G_B^* . Let R_A, R_B be the subgraphs induced by all uncolored edges in G_A^*, G_B^* , respectively. These graphs will both initially be empty. As we proceed this step, one or two edges will be added to each of R_A and R_B each time we swap colors on an alternating path. We will ensure that the following conditions are satisfied after the completion of Step 3.

$$(C1) \quad |E(R_A)| = |E(R_B)| < 4m^{5/3};$$

$$(C2) \quad \Delta(R_A), \Delta(R_B) < m^{5/6};$$

$$(C3) \quad \text{Each vertex of } G^* \text{ is incident with fewer than } 2m^{5/6} \text{ colored edges of } H.$$

At any point during our process, we say that an edge $e = uv$ is *good* if $e \notin E(R_A) \cup E(R_B)$, the degree of u and v in both R_A and R_B is less than $m^{5/6} - 1$. In particular, a good edge can be added to R_A or R_B without violating condition (C2).

By Lemma 2.9, $|\overline{\varphi}^{-1}(\alpha)|$ is even for every color $\alpha \in C_2$. Since (A, B) is a partition of $V(G^*)$, the quantity $|\overline{\varphi}_A^{-1}(\alpha)| - |\overline{\varphi}_B^{-1}(\alpha)|$ is also even. We can pair up as many vertices as possible from $\overline{\varphi}_A^{-1}(\alpha), \overline{\varphi}_B^{-1}(\alpha)$ and then pair up the remaining unpaired vertices from $\overline{\varphi}_A^{-1}(\alpha)$ or $\overline{\varphi}_B^{-1}(\alpha)$. We call each of these pairs a *missing-common-color* pair or *MCC*-pair with respect to the color α . In fact, given any MCC-pair (a, b) with respect to some color α , we will show that the vertices a, b are connected by some alternating path P (with at most 7 edges), the path starts and also ends with an uncolored edge of H and alternates between good edges (colored α) and uncolored edges. Given such a path P , we will swap along P by giving all the uncolored edges color α , and uncoloring all the colored edges. After this, both a and b will be incident with edges colored α , and at most three good edges will be added to $R_A \cup R_B$. Given the alternating nature of the path P , at most two good edges will be added to any one of R_A, R_B . The main difficulty in this Step 3 (and perhaps in this proof) is to show that such path P exists. Before we do this, let us show that conditions (C1)-(C3) can be guaranteed at the end of Step 3. In fact, we will only ever add good edges to R_A and R_B , so condition (C2) will hold automatically. It remains then only to check (C1) and (C3).

Let us first consider Condition (C1). As $\sum_{v \in V(G^*)} |\overline{\varphi}(v)| < 3m^{5/3}$ by (8), there are less than $1.5m^{5/3} < 2m^{5/3}$ MCC-pairs. For each MCC-pair (a, b) with $a, b \in V(G^*)$, at

most two edges will be added to each of R_A and R_B when we exchange an alternating path connecting a and b . Thus there will always be less than $4m^{5/3}$ uncolored edges in each of R_A and R_B . At the completion of Step 3, each of the k color classes is a perfect matching of G so both of G_A^* and G_B^* have the same number of colored edges. Since $|E(G_A^*)| = |E(G_B^*)|$ by (6), we have $|E(R_A)| = |E(R_B)|$. Thus Condition (C1) will be satisfied at the end of Step 3.

We now show that Condition (C3) will also be satisfied at the end of Step 3. In the process of Step 3, the number of newly colored edges of H that are incident with a vertex $u \in V(G^*)$ will equal the number of our chosen alternating paths containing u . The number of such alternating paths of which u is the first vertex will equal the number of colors missing from u at the end of Step 2, so will be less than $|\overline{\varphi}(u)| < m^{2/3} + 51$. The number of alternating paths in which u is not the first vertex will equal the degree of u in $R_A \cup R_B$, and so will be less than $m^{5/6}$. As the edges of Q were colored before Step 1 and $\Delta(Q) \leq 3$, the number of colored edges of H that are incident with u will be less than $|\overline{\varphi}(u)| + m^{5/6} + 3 < 2m^{5/6}$. Thus Condition (C3) will be satisfied at the end of Step 3.

Let $\alpha \in C_2$. We describe how to find an alternating path for an MCC-pair with respect to α . Let V_α be the set of vertices incident in G with an edge from Q that is colored by α . We will avoid using vertices from V_α in all of the alternating paths connecting our MCC-pairs. For each vertex in an MCC-pair, we will see how to construct a short alternating path from it that avoids V_α .

Let $v \in V(G^*)$. Suppose that $v \in S \in \{A, B\}$, and let $T = \{A, B\} \setminus \{S\}$. Define $N_1(v)$ to be the set of all vertices in $T \setminus V_\alpha$, that are joined to v by an uncolored edge, and are incident to a good edge colored α . Let $N_2(v)$ be the set of vertices in $T \setminus V_\alpha$ that are joined to a vertex of $N_1(v)$ by a good edge of color α . Note that we have $|N_1(v)| = |N_2(v)|$, but some vertices may be in $N_1(v) \cap N_2(v)$.

There are fewer than $4m^{5/3}$ edges in R_B (by (C1)), so there are fewer than $8m^{5/6}$ vertices of degree at least $m^{5/6}$ in R_B . Each non-good edge is incident with one or two vertices of R_B through the color α . Thus the number of vertices in B incident with a non-good edge colored by α is less than $8m^{5/6}$. In addition, by (9) there are fewer than $5m^{2/3}$ vertices in B that are missing color α . As α is used on at most four edges of Q under φ_0 , we have $|V_\alpha| \leq 8$. So the number of vertices in B that are not incident with a good edge colored α or that are contained in V_α and incident with an edge colored α is less than

$$8m^{5/6} + 5m^{2/3} + 8 < 9m^{5/6}. \quad (10)$$

By symmetry, the number of vertices in A that are not incident with a good edge

colored α or that are contained in V_α and incident with an edge colored α is less than $9m^{5/6}$. Therefore for any $v \in V(G^*)$, by Condition (C3) and the fact that $\Delta(Q) \leq 3$, we have

$$\begin{aligned}
|N_1(v)| &\geq \frac{1}{2}(d^* - m^{2/3}) - 3 - 2m^{5/6} - 9m^{5/6} \\
&\geq \frac{1}{2} \left(\frac{(1+\varepsilon)}{2} \cdot 2m - m^{2/3} \right) - 11m^{5/6} - 2 \\
&> \frac{m}{2} + \frac{\varepsilon m}{3}.
\end{aligned} \tag{11}$$

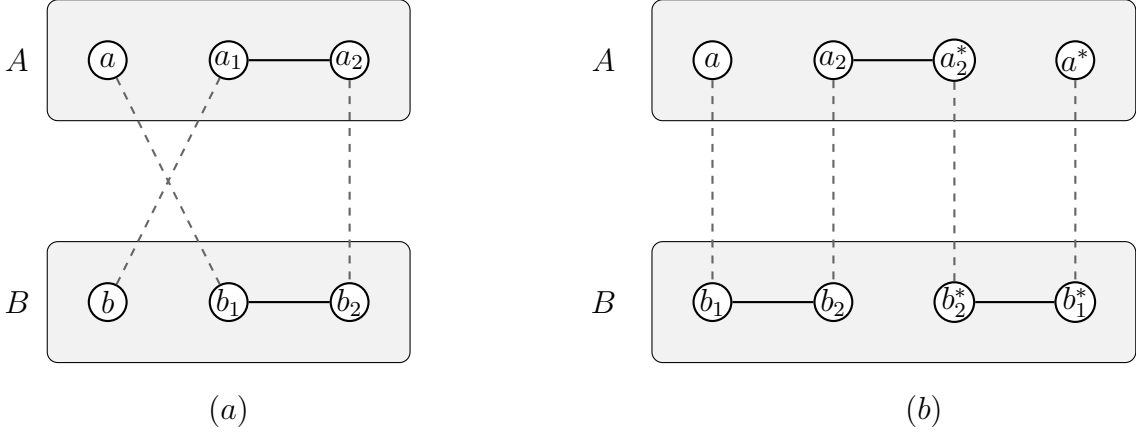


Figure 2: The alternating path P . Dashed lines indicate uncoloured edges, and solid lines indicate edges with color i .

Suppose now that we have some MCC-pair (a, b) with respect to α , with $a \in A$ and $b \in B$. By (11), we have $|N_2(a)|, |N_2(b)| > \frac{m}{2} + \frac{\varepsilon m}{3}$. We choose $a_1 a_2$ with color α such that $a_1 \in N_1(b)$ and $a_2 \in N_2(b)$. Now as $|N_2(a)|, |N_1(a_2)| > \frac{m}{2} + \frac{\varepsilon m}{3}$ by (11), we know that $|N_1(a_2) \cap N_2(a)| > \frac{2\varepsilon m}{3}$. We choose $b_2 \in N_1(a_2) \cap N_2(a)$ such that $b_2 a_2 \notin E(Q)$. Let $b_1 \in N_1(a)$ such that $b_1 b_2$ is colored by α . Then $P = ab_1 b_2 a_2 a_1 b$ is an alternating path from a to b (See Figure 2(a)). We exchange P by coloring $ab_1, b_2 a_2$ and $a_1 b$ with color α and uncoloring the edges $a_1 a_2$ and $b_1 b_2$. After the exchange, the color α appears on edges incident with a and b , the edge $a_1 a_2$ is added to R_A and the edge $b_1 b_2$ is added to R_B .

Consider then an MCC-pair (a, a^*) with respect to α such that $a, a^* \in A$ (the case for an MCC-pair (b, b^*) with $b, b^* \in B$ can be handled similarly). By (11), we have $|N_2(a^*)| > \frac{m}{2} + \frac{\varepsilon m}{3}$. We take an edge $b_1^* b_2^*$ colored by α with $b_1^* \in N_1(a^*)$ and $b_2^* \in N_2(a^*)$. Then again, by (11), we have $|N_2(a)|, |N_2(b_2^*)| > \frac{m}{2} + \frac{\varepsilon m}{3}$. Therefore, as each vertex $c \in N_2(b_2^*)$ satisfies $|N_1(c)| > \frac{m}{2} + \frac{\varepsilon m}{3}$, we have $|N_1(c) \cap N_2(a)| > \frac{2\varepsilon m}{3}$. We take $a_2 a_2^*$ colored by α with $a_2^* \in N_1(b_2^*)$ such that $a_2^* b_2^* \notin E(Q)$ and $a_2 \in N_2(b_2^*)$. Then

we let $b_2 \in N_1(a_2) \cap N_2(a)$ such that $a_2b_2 \notin E(Q)$, and let b_1 be the vertex in $N_1(a)$ such that b_1b_2 is colored by α . Now we get the alternating path $P = ab_1b_2a_2a_2^*b_2^*b_1^*a^*$ (See Figure 2(b)). We exchange P by coloring $ab_1, b_2a_2, a_2^*b_2^*$ and $b_1^*a^*$ with color α and uncoloring the edges $b_1b_2, b_1^*b_2^*$ and $a_2a_2^*$. After the exchange, the color α appears on edges incident with a and a^* , the edges b_1b_2 and $b_1^*b_2^*$ are added to R_B and the edge $a_2a_2^*$ is added to R_A . In this process, we added one edge to R_A and at most two edges to R_B .

We have shown above how to find alternating paths connecting all MCC-pairs, and to modify φ by switching on these. Each time we make such a switch, we increase by one the size of the color class α (and decrease by 2 the number of vertices that are missing color α). By repeating this process, we can therefore continue until the color class α is a perfect matching of G^* . During this whole process, note that we did not alter any colors for edges from $E(Q)$. Thus the resulting edge coloring is still an extension of φ_0 . For simplicity, the resulting coloring is still denoted by φ .

Step 4: Color R_A and R_B and extend the new color classes

Let $\ell = \lceil m^{5/6} \rceil + 1$. In this step, we extend φ by introducing ℓ new colors from the set $[1, d+2] \setminus (C_2 \cup C_0)$. By (C2), $\Delta(R_A), \Delta(R_B) < m^{5/6}$. By Vizing's Theorem, $R_A \cup R_B$ admits an edge coloring using ℓ colors. We let C_3 be the set of ℓ colors from $[1, d+2] \setminus (C_2 \cup C_0)$ used on edges of $R_A \cup R_B$. By Theorem 2.4, we may assume that all these new color classes differ in size by at most one. Since $|E(R_A)| = |E(R_B)|$ by (C1), by possibly renaming some color classes we may assume that each color appears on the same number of edges in R_A as it does in R_B .

By (C1), $|E(R_A)|, |E(R_B)| < 4m^{5/3}$. Since $\ell > m^{5/6}$, each color $\alpha \in C_3$ appears on fewer than $4m^{5/6} + 1$ edges in each of R_A and R_B . We will now color some of the edges of $H - E(Q)$ with the ℓ new colors so that each color class induces a perfect matching. We perform the following procedure for each of the ℓ colors in turn.

Let $\alpha \in C_3$. We define A_α, B_α as the sets of vertices in A, B , respectively, that are incident with edges colored α . Then, from our discussion in the previous paragraph, $|A_\alpha|, |B_\alpha| < 2(4m^{5/6} + 1)$. By our choices we in fact have $|A_\alpha| = |B_\alpha|$; let H_α be the subgraph of $H - E(Q)$ obtained by deleting the vertex sets $A_\alpha \cup B_\alpha$ and removing all colored edges. We will show that H_α has a perfect matching and we will color these matching edges with α .

By (C3), each vertex in $V(G^*)$ is incident with fewer than $2m^{5/6} + \ell \leq 4m^{5/6}$ edges of H that are colored. Also each vertex in A has fewer than $2(4m^{5/6} + 1)$ edges

to B_α and each vertex in B has fewer than $2(4m^{5/6} + 1)$ edges to A_α . So each vertex $v \in V(H_\alpha)$ is adjacent in H_α to more than

$$\frac{1}{2} (d^* - m^{2/3}) - 4m^{5/6} - 2(4m^{5/6} + 1) > \frac{(1+\varepsilon)m}{2} - 13m^{5/6} > \frac{m}{2}$$

vertices. By Lemma 2.1, H_α has a perfect matching M . Color the edges of M with the color α . Then the color class V_α is a perfect matching of G^* .

Repeating the process above for each other color from C_3 , we can extend each of the color classes $\beta \in C_3$ into a perfect matching of G^* .

Step 5: Color the uncolored edges

Define R to be the subgraph of G^* induced on the set of uncolored edges of G^* . Then R is bipartite as G_A^* and G_B^* are both colored in the previous steps. As each of the k colors in C_2 and each of the ℓ colors in C_3 appears at every vertex of G^* , we have $\Delta(R) = d^* - k - \ell$. By Theorem 2.3, R has an edge coloring using exactly $d^* - k - \ell$ colors from $[1, d + 2] \setminus (C_0 \cup C_2 \cup C_3)$. Denote still by φ the resulting edge coloring of G^* .

Step 6: Adjust the edge coloring φ to be the required edge coloring

For Theorem 1.2(i), as G^* is $(d + 2)$ -regular and φ used exactly $d + 2$ colors, we have

$$s_\varphi(u) = s_\varphi(v) = [1, d + 2]$$

for any distinct vertices $u, v \in V(G^*)$. Furthermore, as φ_0 is a vertex-distinguishing edge coloring of Q , the edge coloring φ of G^* restricted on G is a vd- $(d + 2)$ -edge coloring of G .

In the following, we modify φ for the proof of Theorem 1.2(ii). As $G := G^*$ is d -regular and φ used exactly d colors, we have

$$\omega_\varphi(u) = \omega_\varphi(v) = \sum_{i \in [1, d+2] \setminus C_0} i$$

for any distinct vertices $u, v \in V(G)$. Let $s = \sum_{i \in [1, d+2] \setminus C_0} i$.

We let φ'_0 be a new edge-coloring of Q defined as follows.

If $r \in [0, 1]$, for each $i \in [1, q]$, let

$$\begin{aligned}\varphi'_0(v_i u_i) &= \begin{cases} 2q + 2 & \text{if } q \text{ is odd;} \\ 2q & \text{if } q \text{ is even,} \end{cases} \\ \varphi'_0(v_i x_i) &= 2, \\ \varphi'_0(v_q y_q) &= \varphi_0(v_q y_q) = 1 \quad \text{if } r = 1.\end{aligned}$$

If $r = 2$ and q is odd, for each $i \in [1, q - 1]$, let

$$\begin{aligned}\varphi'_0(v_i u_i) &= 2q + 2, \varphi'_0(v_i x_i) = 2, \\ \varphi'_0(v_q u_q) &= 2q - 1, \varphi'_0(v_q x_q) = 2, \varphi'_0(v_q y_q) = 2q + 1, \varphi'_0(y_q z_q) = 2q + 2.\end{aligned}$$

If $r = 2$ and q is even, for each $i \in [1, q - 1]$, let

$$\begin{aligned}\varphi'_0(v_i u_i) &= 2q + 4, \varphi'_0(v_i x_i) = 2, \\ \varphi'_0(v_q u_q) &= 2q - 1, \varphi'_0(v_q x_q) = 2, \varphi'_0(v_q y_q) = 2q + 1, \varphi'_0(y_q z_q) = 2q + 4.\end{aligned}$$

Denote by ψ the resulting edge-coloring of G after φ_0 is repealed by φ'_0 . It is clear that ψ used exactly $d + 2$ colors. We claim that ψ is an edge coloring of G . By the construction, φ'_0 is an edge coloring of Q . As colors in C_0 are not used by φ , there is no other edge in $E(G) \setminus E(Q)$ that is colored by any colors of C_0 . When $r = 2$, as $\varphi(v_q x_q) = \varphi(y_q z_q) = 2q + 1$, and $\varphi'_0(v_q x_q) = 2q + 4$ and $\varphi'_0(y_q z_q) = 2$, it follows that $v_q y_q$ is the only edge incident with v_q and y_q that is colored by $2q + 1$ under ψ . Thus ψ is an edge- $(d + 2)$ -coloring of G . In the following, we show that ψ is sum-distinguishing.

We consider first that q is odd. By the definitions of φ_0 and φ'_0 , for each $i \in [1, q]$ when $r \in [0, 1]$ and for each $i \in [1, q - 1]$ when $r = 2$, we have

$$\begin{aligned}\omega_\psi(v_i) &= s - \omega_{\varphi_0}(v_i) + \omega_{\varphi'_0}(v_i) \\ &= s - (2i - 1 + 2i + 1) + (2q + 2 + 2) \\ &= s + 2q + 4 - 4i, \\ \omega_\psi(u_i) &= s - \omega_{\varphi_0}(u_i) + \omega_{\varphi'_0}(u_i) \\ &= s - (2i - 1) + 2q + 2 \\ &= s + 2q + 3 - 2i, \\ \omega_\psi(x_i) &= s - \omega_{\varphi_0}(x_i) + \omega_{\varphi'_0}(x_i) \\ &= s - (2i + 1) + 2 \\ &= s + 1 - 2i.\end{aligned}$$

When $r = 1$, we additionally have $\omega_\psi(y_q) = s$; and when $r = 2$, we additionally have

$$\begin{aligned}
\omega_\psi(v_q) &= s - (2q + 1 + 2q - 2) + (2 + 2q + 1) \\
&= s + 4 - 2q, \\
\omega_\psi(u_q) &= s, \\
\omega_\psi(x_q) &= s - (2q + 1) + 2 \\
&= s + 1 - 2q, \\
\omega_\psi(y_q) &= s - (2q - 2 + 2q + 1) + (2q + 1 + 2q + 2) \\
&= s + 4, \\
\omega_\psi(z_q) &= s - (2q + 1) + 2q + 2 \\
&= s + 1.
\end{aligned}$$

Note that $\omega_\psi(v_i), \omega_\psi(u_i)$ and $\omega_\psi(x_i)$ are all decreasing in i . Thus all $\omega_\psi(v_i)$ s are distinct, so are $\omega_\psi(u_i)$ s and $\omega_\psi(x_i)$ s. As $\omega_\psi(v_i)$ is the sum of s and an even number while each of $\omega_\psi(u_i)$ and $\omega_\psi(x_i)$ is the sum of s and an odd number, we have $\omega_\psi(v_i) \neq \omega_\psi(u_j)$ and $\omega_\psi(v_i) \neq \omega_\psi(x_j)$ for any two distinct i, j . Also, we have $\omega_\psi(x_j) < s < \omega_\psi(u_i)$ for any distinct i, j . Lastly, as q is odd, we have $\omega_\psi(v_i) \neq s$. Thus we have $\omega_\psi(u) \neq \omega_\psi(v)$ if distinct $u, v \in \{v_i, u_i, x_i \mid i \in [1, q]\}$ (when $r = 0$), $u, v \in \{v_i, u_i, x_i \mid i \in [1, q]\} \cup \{y_q\}$ (when $r = 1$), or $u, v \in \{v_i, u_i, x_i \mid i \in [1, q - 1]\} \cup \{u_q\}$ (when $r = 2$).

When $r = 2$, clearly, we have $\omega_\psi(u) \neq \omega_\psi(v)$ for any distinct $u, v \in \{v_q, u_q, x_q, y_q, z_q\}$. Further, $\omega_\psi(x_q) < \omega_\psi(v_q) < \omega_\psi(u)$ for any $u \in V(G) \setminus \{v_q, x_q\}$; $\omega_\psi(y_q) = s + 4 \neq \omega_\psi(u_i)$ and $\omega_\psi(y_q) = s + 4 \neq \omega_\psi(x_i)$, and $\omega_\psi(y_q) = s + 4 \neq \omega_\psi(v_i)$ as q is odd. Lastly, we have $\omega_\psi(z_q) \neq \omega_\psi(v_i)$ and $\omega_\psi(x_i) < \omega_\psi(z_q) < \omega_\psi(u_i)$ for any $i \in [1, q - 1]$.

By the arguments above, we know that ψ is sum-distinguishing when q is odd.

We consider now that q is even and distinguish between $r \in [0, 1]$ and $r = 2$.

Case 1: $r \in [0, 1]$.

By the definitions of φ_0 and φ'_0 , for each $i \in [1, q]$, we have

$$\begin{aligned}
\omega_\psi(v_i) &= s - (2i - 1 + 2i + 1) + (2q + 2) \\
&= s + 2q + 2 - 4i, \\
\omega_\psi(u_i) &= s - (2i - 1) + 2q \\
&= s + 2q + 1 - 2i, \\
\omega_\psi(x_i) &= s - (2i + 1) + 2 \\
&= s + 1 - 2i.
\end{aligned}$$

When $r = 1$, we additionally have $\omega_\psi(y_q) = s$.

By the same argument as in the case when q is odd, we conclude that ψ is sum-distinguishing.

Case 2: $r = 2$.

By the definitions of φ_0 and φ'_0 , for each $i \in [1, q - 1]$, we have

$$\begin{aligned}
\omega_\psi(v_i) &= s - (2i - 1 + 2i + 1) + (2q + 4 + 2) \\
&= s + 2q + 6 - 4i, \\
\omega_\psi(u_i) &= s - (2i - 1) + 2q + 4 \\
&= s + 2q + 5 - 2i, \\
\omega_\psi(x_i) &= s - (2i + 1) + 2 \\
&= s + 1 - 2i.
\end{aligned}$$

In addition, we have

$$\begin{aligned}
\omega_\psi(v_q) &= s - (2q + 1 + 2q) + (2 + 2q + 1) \\
&= s + 2 - 2q, \\
\omega_\psi(u_q) &= s, \\
\omega_\psi(x_q) &= s - (2q + 1) + 2 \\
&= s + 1 - 2q, \\
\omega_\psi(y_q) &= s - (2q + 2q + 1) + (2q + 1 + 2q + 4) \\
&= s + 4, \\
\omega_\psi(z_q) &= s - (2q + 1) + 2q + 4 \\
&= s + 3.
\end{aligned}$$

By the same argument as in the case when q is odd, we conclude that ψ is sum-distinguishing.

References

- [1] M. Aigner, E. Triesch, and Z. Tuza. Irregular assignments and vertex-distinguishing edge-colorings of graphs. In *Combinatorics '90 (Gaeta, 1990)*, volume 52 of *Ann. Discrete Math.*, pages 1–9. North-Holland, Amsterdam, 1992.
- [2] P. Balister, A. Kostochka, H. Li, and R. Schelp. Balanced edge colorings. *Journal of Combinatorial Theory, Series B*, 90(1):3–20, 2004.
- [3] P. N. Balister, B. Bollobás, and R. H. Schelp. Vertex distinguishing colorings of graphs with $\Delta(G) = 2$. *Discrete Math.*, 252(1-3):17–29, 2002.
- [4] C. Bazgan, A. Harkat-Benhamdine, H. Li, and M. Woźniak. On the vertex-distinguishing proper edge-colorings of graphs. *J. Combin. Theory Ser. B*, 75(2):288–301, 1999.
- [5] C. Bazgan, A. Harkat-Benhamdine, H. Li, and M. Woźniak. A note on the vertex-distinguishing proper coloring of graphs with large minimum degree. volume 236, pages 37–42. 2001. Graph theory (Kazimierz Dolny, 1997).
- [6] A. C. Burriss and R. H. Schelp. Vertex-distinguishing proper edge-colorings. *J. Graph Theory*, 26(2):73–82, 1997.
- [7] A. Dalal, J. McDonald, and S. Shan. Total coloring graphs with large maximum degree. *arXiv:2405.07382v1*.
- [8] R. P. Gupta. *Studies in the Theory of Graphs*. 1967. Thesis (Ph.D.)—Tata Institute of Fundamental Research, Bombay.
- [9] A. Hajnal and E. Szemerédi. Proof of a conjecture of P. Erdős. In *Combinatorial theory and its applications, I-III (Proc. Colloq., Balatonfüred, 1969)*, volume 4 of *Colloq. Math. Soc. János Bolyai*, pages 601–623. North-Holland, Amsterdam-London, 1970.
- [10] D. König. Gráokés alkalmazásuk a determinánsok Źs a halmazok elméleére. *Matematikai és Természettudományi Értetstő*, 34:104–119, 1916.
- [11] B. Liu and G. Liu. Vertex-distinguishing edge colorings of graphs with degree sum conditions. *Graphs Combin.*, 26(6):781–791, 2010.
- [12] M. Mahéo and J.-F. Saclé. Some results on (p, g, Σ) -valuation of graphs. *Discrete Math. Algorithms Appl.*, 4(3):1250037, 17, 2012.

- [13] C. J. H. McDiarmid. The solution of a timetabling problem. *J. Inst. Math. Appl.*, 9:23–34, 1972.
- [14] S. Shan. Chromatic index of dense quasirandom graphs. *Journal of Combinatorial Theory, Series B*, 157:429–450, 2022.
- [15] M. Stiebitz, D. Scheide, B. Toft, and L. M. Favrholdt. *Graph edge coloring*. Wiley Series in Discrete Mathematics and Optimization. John Wiley & Sons, Inc., Hoboken, NJ, 2012. Vizing’s theorem and Goldberg’s conjecture, With a preface by Stiebitz and Toft.
- [16] E. R. Vaughan. An asymptotic version of the multigraph 1-factorization conjecture. *J. Graph Theory*, 72(1):19–29, 2013.
- [17] V. G. Vizing. Critical graphs with given chromatic class. *Diskret. Analiz*, (5):9–17, 1965.