

Planar Abelian Mirror Duals of $\mathcal{N} = 2$ SQCD₃

Sergio Benvenuti,^{1,*} Riccardo Comi,^{2,3,†} Sara Pasquetti,^{2,3,‡} Gabriel Pedde Ungureanu,^{1,4,§} Simone Rota,^{1,4,¶} and Anant Shri^{1,4,**}

¹*Istituto Nazionale di Fisica Nucleare, Sezione di Trieste, Via Valerio 2, I-34127 Trieste, Italy*
²*Dipartimento di Fisica, Università di Milano-Bicocca, Piazza della Scienza 3, I-20126 Milano, Italy*
³*Istituto Nazionale di Fisica Nucleare, Sezione di Milano, Via Celoria 16, I-20133 Milano, Italy*
⁴*SISSA, Via Bonomea 265, I-34136 Trieste, Italy*

We propose an Abelian mirror dual for the $\mathcal{N} = 2$ SQCD₃ that we obtain as real mass deformation of known $\mathcal{N} = 4$ mirror pairs. We match the superconformal index and the \mathbf{S}_b^3 partition function, discuss the agreement of the moduli spaces, and provide a map of the gauge invariant operators and the global symmetries as evidence of this duality.

Keywords: 3d $\mathcal{N} = 2$ Mirror Symmetry, 3d Chern-Simons Theories

I. INTRODUCTION

We propose an *Abelian* dual description for a family of $\mathcal{N} = 2$ $SU(N)$ Chern-Simons (CS) SQCD₃¹⁻³. The dual theory is *planar*, in the sense that it is a quiver drawn on a plane, with a cubic superpotential term for each closed oriented loop, as in the $4d$ periodic quivers associated to the dimers of $\mathfrak{e}^{4,5}$ and, in addition, contains linear monopole superpotentials. Our dualities are obtained by real mass deformations of 3d $\mathcal{N} = 4$ mirror pairs of theories^{6,7} and display the exchange of topological and flavor symmetries characteristic of 3d mirror symmetry.

In this letter, we focus on the $SU(N)_k$ SQCD₃ with $F \geq 2N$ fundamentals and CS level $k = \frac{F}{2} - N$ and discuss extensions of the analysis to larger k via further real mass deformations. We can extend our results to theories with more general flavor content, CS levels, and quivers with unitary gauge groups as discussed in forthcoming papers^{8,9}. As an example, we discuss a duality between chiral and planar quivers obtained from the self-mirror $T[SU(N)]$ theory¹⁰.

Our proposal is guided by the behavior under real mass deformations of the \mathbf{S}_b^3 partition function^{11,12}, which matches across our proposed duality, providing a non-trivial check of our claims. Details of this analysis will be given in^{8,9}. In this letter, we support our proposals by matching the Superconformal Index^{13,14} (SCI), the global symmetries, and the chiral rings of the dual theories.

II. A PLANAR ABELIAN DUAL FOR $SU(N)_{\frac{F}{2}-N}$ WITH F FUNDAMENTALS

We start from the $\mathcal{N} = 4$ mirror duality relating $SU(N)$ with $F \geq 2N$ flavors to a quiver with F gauge nodes (Figure 1). We deform the $\mathcal{N} = 4$ electric theory, breaking the $SU(2) \times SU(2)$ R-symmetry to $U(1)_R$ ¹⁵ by turning on a real mass m for a combination of the commutant of $U(1)_R$ and the baryonic symmetry. Under this deformation, in the vacuum where the real scalar has no VEV, only the F fundamental fields remain massless while the adjoint and the F antifundamental fields are

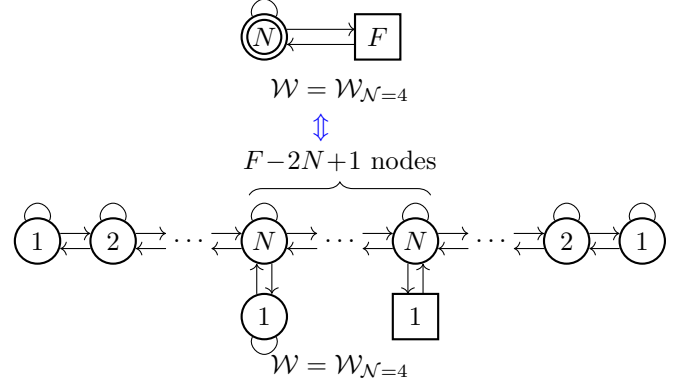


FIG. 1: $\mathcal{N} = 4$ mirror duality for SQCD₃. Single/double circles correspond to U/SU symmetry groups.

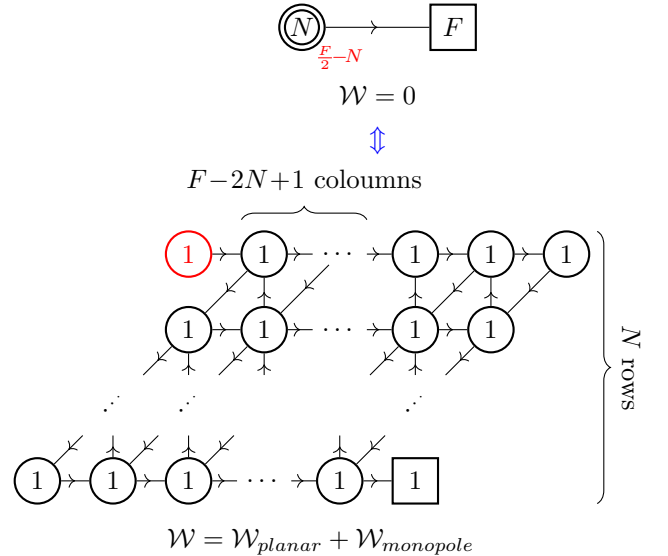


FIG. 2: Mirror-like duality for $\mathcal{N} = 2$ SQCD₃.

massive and are integrated out generating a non-zero CS level and we obtain the $\mathcal{N} = 2$ $SU(N)_{\frac{F}{2}-N}$ SQCD₃ with F fundamental fields³⁴.

In the magnetic theory, under the same deformation,

something interesting happens - we propose that the magnetic vacuum corresponding to the electric theory is such that each gauge node $U(k)$ is Higgsed to its maximal torus $U(1)^k$ producing a column of k black $U(1)$ gauge nodes as in Figure 2. For a given node, the Higgs mechanism is triggered by VEVs for the scalar σ in the corresponding $\mathcal{N} = 2$ vector multiplet. To reach this vacuum we move along the Coulomb Branch (CB), where $\langle \sigma \rangle = \text{diag}(\sigma_1, \sigma_2, \dots)$ with:

$$\sigma_i - \sigma_{i+1} = m \quad (1)$$

and the chiral fields depicted in Figure 2 remain massless. We checked that this vacuum satisfies the F-term and D-term equations³.

This claim is supported by the careful analysis of the effect of the real mass deformation on the \mathbf{S}_b^3 partition function as in^{16,17}. The large mass limit produces a highly oscillating phase corresponding to contributions from massive fields and is sensitive to the Higgsing¹⁸. Assuming the Higgsing pattern described above, we checked that the highly oscillating phases cancel between the electric and magnetic sides. This procedure implies the equality of the partition functions of the two theories in Figure 2 and is a very non-trivial check of the duality. Details on these computations will appear in a forthcoming paper⁸.

The mirror dual theory admits a Lagrangian description, all the gauge groups are Abelian and each arrow denotes a chiral field with charge $(+1, -1)$ under the two nodes it connects. Importantly, the theory also contains (mixed) CS interactions and a non-zero superpotential:

- each black (red) gauge node carries a -1 ($-\frac{1}{2}$) CS coupling. The CS interactions are a consequence of integrating out fermionic fields present in the $\mathcal{N} = 4$ theory.
- For each vertical (non-vertical) arrow there is a -1 ($+1$) mixed CS coupling involving the two nodes connected by the arrow.
- \mathcal{W}_{planar} are cubic superpotential terms. There is one term with -1 ($+1$) coefficient for each clockwise (anti-clock-wise) closed triangle. The cubic terms in the superpotential are a remnant of the cubic $\mathcal{N} = 4$ superpotential.
- $\mathcal{W}_{monopole}$ are the monopole terms in the superpotential generated by the Polyakov mechanism¹⁹ due to the Higgsing of a $U(k)$ gauge symmetry to $U(1)^k$. For each vertical arrow, there is a monopole superpotential with GNO flux $+1$ and -1 under the nodes connected by the arrow, from top to bottom.

A. Checks of the Duality

As a preliminary check of the proposed duality, we count the rank of the global symmetries of the planar

theory. All $U(1)$ symmetries rotating the chiral fields are either broken by \mathcal{W}_{planar} or removed by gauge transformations. The monopole superpotential breaks the topological $U(1)$ symmetries of the black nodes in each column to a diagonal combination. We thus have a single $U(1)$ topological symmetry for each column and an extra one associated with the node indicated in red, resulting in a $U(1)^F$ global symmetry. The duality predicts that the UV global symmetry enhances in the IR to $U(F)$, which is manifest in the UV in the electric SQCD₃. This is inherited from the topological symmetry enhancement in the $\mathcal{N} = 4$ quiver of Figure 1 which is preserved by the real mass deformation we consider.

In addition to the already mentioned check of the matching of the \mathbf{S}_b^3 partition functions, we also matched the refined Superconformal Indices (SCIs) for $N < 5$ and $F < 11$ up to $\mathcal{O}(x^{12/5})$, with trial R-charge of the baryons set to $R = \frac{3}{5}$. In particular, we can detect the character of the enhanced $U(F)$ current at order x^2 in the SCI of the planar Abelian mirror.

B. Structure of the Moduli Space

We observe that the chiral ring generators in the electric $SU(N)$ with F fundamentals theory are the $\binom{F}{N}$ baryons $B^{j_1, \dots, j_N} = \epsilon^{a_1 \dots a_N} Q_{a_1}^{j_1} \dots Q_{a_N}^{j_N}$ ³⁵. The full set of BPS baryons can be encoded in the following Hilbert Series²¹⁻²³:

$$\mathcal{HS}_{baryons} = \sum_{k=0}^{\infty} [0^{N-1}, k, 0^{F-N-1}]_{SU(F)} t^k \quad (2)$$

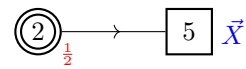
$$\xrightarrow{(u.r.)} \frac{\sum_{k=0}^A c_{N,F}^{(k)} t^k}{(1-t)^d},$$

where $[\lambda_1, \dots, \lambda_{F-1}]$ is the Dynkin label of the $SU(F)$ representation. We have turned off the fugacities and resummed the unrefined Hilbert Series in the second line of (2) (indicated by *u.r.*), wherein $A = F(N-1) - N^2 + 1$, $c_{N,F}^{(k)} = c_{N,F}^{(A-k)} > 0$, $c_{N,F}^{(k)} = c_{F-N,F}^{(k)}$ and $d = FN - N^2 + 1$. We deduce that the branch of the moduli space generated by the baryons is a d -dimensional complex cone.

In the planar theory, the chiral ring is generated by monopoles, as we will see explicitly in an example below. The proposed duality predicts that they satisfy quantum relations compatible with the Hilbert Series (2).

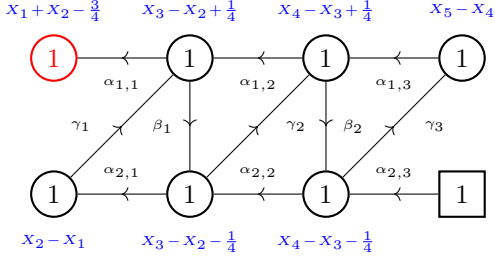
C. An Example: $SU(2)_{\frac{1}{2}}$ with 5 fundamentals

Let us consider the example of $SU(2)_{\frac{1}{2}}$ SQCD₃ with 5 fundamental flavors:



$$\mathcal{W} = 0 \quad (3)$$

where X_i , $i = 1, \dots, 5$ are the real masses for the Cartan of the flavor $U(5)_{\bar{X}}$ symmetry and the chiral fields are assigned a trial R-charge $\frac{1}{2}$. Our proposal for the mirror theory is given below:



$$\begin{aligned} \mathcal{W} &= \beta_1[\gamma_2\alpha_{1,2} - \alpha_{2,1}\gamma_1] + \beta_2[\gamma_3\alpha_{1,3} - \alpha_{2,2}\gamma_2] \\ &+ \mathfrak{M}\begin{pmatrix} 0 & + & 0 & 0 \\ 0 & 0 & 0 & 0 \end{pmatrix} + \mathfrak{M}\begin{pmatrix} 0 & 0 & + & 0 \\ 0 & 0 & 0 & 0 \end{pmatrix} \end{aligned} \quad (4)$$

with the same convention for the CS and mixed CS levels as in Figure 2. The fields β_i have trial R-charge 1 and the fields $\alpha_{i,j}, \gamma_k$ have trial R-charge $\frac{1}{2}$. The labels in blue are the FI parameters for the corresponding node, namely the real masses for the topological symmetries. These are written in terms of the X_i , reflecting the embedding in the enhanced symmetry:

$$U(1)_{top}^5 \times U(1)_R \rightarrow U(5)_{\bar{X}} \times U(1)_R \quad (5)$$

where $U(1)_{top}^5$ is the subgroup of the seven topological symmetries unbroken by the monopole superpotential. Notice that the linear monopole superpotential induces a mixing between the topological and the trial R-symmetry, encoded in the constant terms in the FI terms (4).

The chiral ring of the electric theory is generated by the $\binom{5}{2} = 10$ baryons B . The mapping to the operators on the mirror side is:

$$\begin{aligned} B \leftrightarrow & \left\{ \mathfrak{M}\begin{pmatrix} - & 0 & 0 & 0 \\ 0 & 0 & 0 & 0 \end{pmatrix}, \mathfrak{M}\begin{pmatrix} - & - & 0 & 0 \\ 0 & 0 & 0 & 0 \end{pmatrix}, \mathfrak{M}\begin{pmatrix} - & - & - & 0 \\ 0 & 0 & 0 & 0 \end{pmatrix}, \right. \\ & \mathfrak{M}\begin{pmatrix} - & - & - & - \\ 0 & 0 & 0 & 0 \end{pmatrix}, \mathfrak{M}\begin{pmatrix} - & - & 0 & 0 \\ - & 0 & 0 & 0 \end{pmatrix}, \mathfrak{M}\begin{pmatrix} - & - & - & 0 \\ - & 0 & 0 & 0 \end{pmatrix}, \\ & \mathfrak{M}\begin{pmatrix} - & - & - & - \\ - & 0 & 0 & 0 \end{pmatrix}, \mathfrak{M}\begin{pmatrix} - & - & - & 0 \\ - & - & 0 & 0 \end{pmatrix}, \mathfrak{M}\begin{pmatrix} - & - & - & - \\ - & - & 0 & 0 \end{pmatrix}, \\ & \left. \mathfrak{M}\begin{pmatrix} - & - & - & - \\ - & - & - & - \end{pmatrix} \right\} \end{aligned} \quad (6)$$

which can be verified by computing the charges of monopole operators. The charges of a monopole with GNO fluxes m_i , $i = 1, \dots, n_g$ under the n_g Abelian gauge symmetries, can be compactly encoded in the following

polynomial of the fugacities^{1,24}:

$$\begin{aligned} \mathcal{Q}(\vec{m}) &= -\frac{1}{2} \left(\sum_{b_{ij}} |m_i - m_j| ((R[b_{ij}] - 1) - u_i + u_j) \right. \\ &+ \sum_{f_i, \tilde{f}_i} |m_i| \left((R[\tilde{f}_i, f_i] - 1) \pm u_i \right) \\ &+ \sum_{i=1}^{n_g} \lambda_i m_i - \frac{1}{2} \sum_{i \leq j} k_{ij} (m_i u_j + m_j u_i), \end{aligned} \quad (7)$$

where the first two lines are contributions from fermionic zero modes in the bifundamentals b_{ij} and (anti)fundamentals (\tilde{f}_i) f_i and the other terms are due to CS levels k_i , mixed CS levels k_{ij} and FI terms λ_i . In our conventions, the CS and FI terms are given by (the SUSY completion of):

$$- \sum_{l,m} i \frac{k_{lm}}{4\pi} \int A_l \wedge dA_m + \sum_l \lambda_l \int D_l, \quad (8)$$

where A_j is the gauge field of the j -th node, and with $k_{jj} = k_j$ being the CS level for the j -th node, while the FI terms λ_i come from mixed CS interactions between the gauge group $U(1)_i$ and the associated topological symmetry $U(1)_{T_i}$ and D_i is the auxiliary field in the vector superfield containing the gauge field A_i .

In Equation (7), the charge under a gauge or flavor symmetry is encoded in the coefficient in front of the corresponding parameter, u_i are fugacities for the gauge symmetries and the constant is the trial R-charge. One can check that the charge of the monopoles in the superpotential and the chiral ring map do not depend on the u_i and they are, therefore, gauge invariant. In particular:

$$\mathcal{Q} \left[\mathfrak{M}\begin{pmatrix} 0 & + & 0 & 0 \\ 0 & 0 & 0 & 0 \end{pmatrix} \right] = \mathcal{Q} \left[\mathfrak{M}\begin{pmatrix} 0 & 0 & + & 0 \\ 0 & 0 & 0 & 0 \end{pmatrix} \right] = 2 \quad (9)$$

consistent with the monopole superpotential and:

$$\begin{aligned} \mathcal{Q} \left[\mathfrak{M}\begin{pmatrix} - & 0 & 0 & 0 \\ 0 & 0 & 0 & 0 \end{pmatrix} \right] &= \mathcal{Q}[B^{1,2}] = 1 - X_1 - X_2 \\ &\vdots \\ \mathcal{Q} \left[\mathfrak{M}\begin{pmatrix} - & - & - & - \\ - & - & - & - \end{pmatrix} \right] &= \mathcal{Q}[B^{4,5}] = 1 - X_4 - X_5 \end{aligned} \quad (10)$$

compatible with the chiral ring map.

We also report the superconformal index of both theories:

$$\mathcal{I} = 1 + 10fx^{3/5} + 50f^2x^{6/5} + 175f^3x^{9/5} - (24+1)x^2 + \mathcal{O}(x^{12/5}) \quad (11)$$

where bold numbers denote $SU(5)$ representations and f is the fugacity for the baryonic $U(1) \subset U(5)$. Notice that to perform the SCI expansion we shifted the trial R-charge of the fundamentals in the SQCD₃ so that baryons have R-charge $\frac{3}{5}$, which is closer to the superconformal value that can be computed via F-extremization²⁵ ($R_{sc} = 0.67778\dots$). The shift can be performed by changing the mixing coefficient of the $U(1)$ baryonic symmetry. In the mirror theory in (4), this corresponds to shifting only the FI terms of the red gauge node by a constant number. In the index in (11), we observe terms of the form $[0, k, 0, 0]_{SU(5)} f^k x^{kR}$, corresponding to the baryons on the electric side and to monopoles on the mirror side, and the negative term at order x^2 corresponding to the $U(5)$ conserved currents.

III. MORE CHIRAL \leftrightarrow PLANAR DUALS

Our analysis can be extended to obtain similar Abelian planar duals for unitary SQCD₃ with both fundamental and anti-fundamental matter and more general CS levels. As will be discussed in forthcoming papers^{8,9}, it is also possible to define an algorithmic procedure in the spirit of²⁶⁻²⁸, which streamlines the study of unitary linear and circular chiral quiver gauge theories.

This section discusses an example of an SQCD₃ with a more general CS level obtained via further real mass deformations and a linear quiver gauge theory.

Abelian mirror duals of $3d \mathcal{N} = 2$ non-Abelian quivers appeared in²⁹⁻³¹; a key difference in²⁹⁻³¹ from our proposal is that the non-Abelian side is non-chiral and the Abelian side is linear instead of planar.

A. Real Mass Deformations

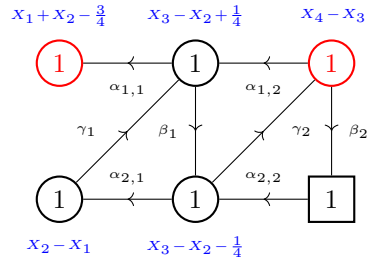
The procedure outlined in the previous section allows for the construction of Abelian planar duals for $SU(N)$ SQCD with CS level $k = \frac{F}{2} - N \geq 0$. We can generalize to $k > \frac{F}{2} - N$ by turning on further positive real mass deformations for fundamental fields. As an example, we consider the duality for $SU(2)$ with 5 fundamentals (3) studied in the previous section, and turn on a real positive mass associated to X_5 , making one fundamental massive³⁶ and flowing to:

$$\begin{array}{c} \textcircled{2} \xrightarrow{1} \square 4 \bar{X} \\ \mathcal{W} = 0 \end{array} \quad (12)$$

We claim that the corresponding vacua on the mirror side (4) is such that the fields $\alpha_{1,3}, \gamma_3, \alpha_{2,3}$ are massive. This can be followed on the \mathbf{S}_b^3 partition function, where the matching of asymptotics in the large X_5 limit provides a non-trivial check of the flow. Notice that all the

fields charged under the rightmost gauge node are massive, leaving a $U(1)_{-1}$ CS theory coupled to the rest of the quiver by BF terms. Furthermore, by a gauge field redefinition, we can render all chiral fields neutral under the gauge symmetry of the bottom right node. Then, the corresponding gauge field describes a decoupled $U(1)_{-1}$ sector, and the bottom right node effectively becomes a flavor node.

The path integral over the two $U(1)_{-1}$ gauge fields can be performed exactly^{32,33}, resulting in:



$$\mathcal{W} = \beta_1[\gamma_2\alpha_{1,2} - \alpha_{2,1}\gamma_1] - \beta_2\alpha_{2,2}\gamma_2 + \mathfrak{M} \begin{pmatrix} 0 & + & 0 \\ & & \end{pmatrix} \quad (13)$$

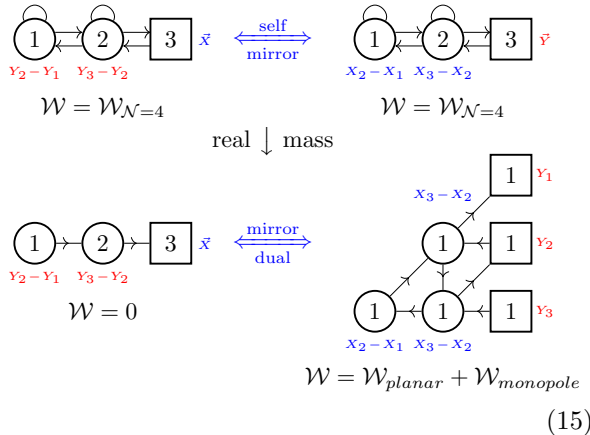
Notice that there are two gauge nodes at CS level $-\frac{1}{2}$ (indicated in red). The duality map between the baryons on the electric side and the monopoles on the mirror side is now given by:

$$B \leftrightarrow \left\{ \mathfrak{M} \begin{pmatrix} - & 0 & 0 \\ 0 & 0 & 0 \end{pmatrix}, \mathfrak{M} \begin{pmatrix} - & - & 0 \\ 0 & 0 & 0 \end{pmatrix}, \mathfrak{M} \begin{pmatrix} - & - & - \\ 0 & 0 & 0 \end{pmatrix}, \right. \\ \left. \mathfrak{M} \begin{pmatrix} - & - & 0 \\ - & 0 & 0 \end{pmatrix}, \mathfrak{M} \begin{pmatrix} - & - & - \\ - & 0 & 0 \end{pmatrix}, \mathfrak{M} \begin{pmatrix} - & - & - \\ - & - & 0 \end{pmatrix} \right\} \quad (14)$$

which can be checked by computing the charges of monopole operators as described in the previous section.

B. A Linear Quiver with Chiral Matter and its Planar Abelian Dual

We can perform similar real mass deformations in mirror pairs of unitary quiver $\mathcal{N} = 4$ theories. Here we consider the example of the $T[SU(N)]$ theory¹⁰. The global symmetry is $SU(N)_{\bar{X}} \times SU(N)_{\bar{Y}}$ and mirror symmetry is a self-duality that exchanges the two $SU(N)$ symmetries. We turn on a real mass deformation for the commutant of $U(1)_R$ and the $SU(N)_{\bar{Y}}$ symmetry that breaks SUSY to $\mathcal{N} = 2$ and breaks $SU(N)_{\bar{Y}} \rightarrow U(1)_{\bar{Y}_i}^{N-1}$. We choose a vacuum in which the chiral adjoint multiplets and half of the chiral bifundamental fields are integrated. The dual vacuum in the mirror side Abelianizes all the gauge groups. For $N = 3$, we find the following duality:



In the chiral linear quiver, there is a CS term at level 1 for the diagonal $U(1) \subset U(m)$ for each $U(m)$ gauge

group and there is a mixed CS term at level -1 between adjacent nodes. The CS and mixed CS couplings of the mirror planar Abelian quiver follow from the prescription outlined in Section II.

The chiral rings of the two theories also match, with the $N - 1$ dressed gauge invariant monopoles of the electric theory mapped to the $N - 1$ mesonic operators constructed along the shortest path connecting two adjacent $U(1)$ flavor nodes.

Acknowledgments

We are grateful to Amihay Hanany for useful conversations. SB and SP are partially supported by the MUR-PRIN grant No. 2022NY2MXY. SR is supported by the MUR-PRIN grant No. 2022NY2MXY.

-
- * Electronic address: benve79@gmail.com
† Electronic address: r.comi2@campus.unimib.it
‡ Electronic address: sara.pasquetti@gmail.com
§ Electronic address: gpeddeun@sissa.it
¶ Electronic address: srota@sissa.it
** Electronic address: ashri@sissa.it
- ¹ O. Aharony, A. Hanany, K. Intriligator, N. Seiberg, and M.J. Strassler, Nuclear Physics B **499**, 67-99 (1997), URL [http://dx.doi.org/10.1016/S0550-3213\(97\)00323-4](http://dx.doi.org/10.1016/S0550-3213(97)00323-4).
 - ² J. de Boer, K. Hori, and Y. Oz, Nuclear Physics B **500**, 163-191 (1997), URL [http://dx.doi.org/10.1016/S0550-3213\(97\)00328-3](http://dx.doi.org/10.1016/S0550-3213(97)00328-3).
 - ³ K. Intriligator, and N. Seiberg, Journal of High Energy Physics **07**, 079 (2013), URL [http://dx.doi.org/10.1007/JHEP07\(2013\)079](http://dx.doi.org/10.1007/JHEP07(2013)079).
 - ⁴ A. Hanany, and K.D. Kennaway, (2005), URL <https://doi.org/10.48550/arXiv.hep-th/0503149>.
 - ⁵ S. Franco, A. Hanany, D. Vegh, B. Wecht, and K.D. Kennaway, Journal of High Energy Physics **01**, 096 (2006), URL <http://dx.doi.org/10.1088/1126-6708/2006/01/096>.
 - ⁶ K. Intriligator, and N. Seiberg, Physics Letters B **387**, 513-519 (1996), URL [http://dx.doi.org/10.1016/0370-2693\(96\)01088-x](http://dx.doi.org/10.1016/0370-2693(96)01088-x).
 - ⁷ A. Hanany, and E. Witten, Nuclear Physics B **492(1-2)**, 152-190 (1997), URL [http://dx.doi.org/10.1016/S0550-3213\(97\)80030-2](http://dx.doi.org/10.1016/S0550-3213(97)80030-2).
 - ⁸ S. Benvenuti, R. Comi, S. Pasquetti, G. Pedde Ungureanu, S. Rota, and A. Shri. *Work in progress*.
 - ⁹ S. Benvenuti, R. Comi, S. Pasquetti, G. Pedde Ungureanu, S. Rota, and A. Shri. *Work in progress*.
 - ¹⁰ D. Gaiotto, and E. Witten, Advances in Theoretical and Mathematical Physics **13**, 721-896 (2008), URL <http://dx.doi.org/10.4310/ATMP.2009.v13.n3.a5>.
 - ¹¹ A. Kapustin, B. Willett, and I. Yaakov, Journal of High Energy Physics **03**, 089 (2010), URL [http://dx.doi.org/10.1007/JHEP03\(2010\)089](http://dx.doi.org/10.1007/JHEP03(2010)089).
 - ¹² N. Hama, K. Hosomichi, and S. Lee, Journal of High Energy Physics **05**, 014 (2011), URL [http://dx.doi.org/10.1007/JHEP05\(2011\)014](http://dx.doi.org/10.1007/JHEP05(2011)014).
 - ¹³ Y. Imamura, and S. Yokoyama, Journal of High Energy Physics **04**, 007 (2011), URL [http://dx.doi.org/10.1007/JHEP04\(2011\)007](http://dx.doi.org/10.1007/JHEP04(2011)007).
 - ¹⁴ A. Kapustin, and B. Willett, (2011), URL <http://dx.doi.org/10.48550/arXiv.1106.2484>.
 - ¹⁵ D. Tong, Journal of High Energy Physics **07**, 019 (2000), URL <http://dx.doi.org/10.1088/1126-6708/2000/07/019>.
 - ¹⁶ F. van de Bult, PhD Thesis, Universiteit van Amsterdam, Amsterdam, Netherlands (2007), URL https://pure.uva.nl/ws/files/4364984/53985_vdbult_tekst.pdf.
 - ¹⁷ F. Benini, C. Closset, and S. Cremonesi, Journal of High Energy Physics **10**, 075 (2011), URL [http://dx.doi.org/10.1007/JHEP10\(2011\)075](http://dx.doi.org/10.1007/JHEP10(2011)075).
 - ¹⁸ O. Aharony, S. Razamt, N. Seiberg, and B. Willett, Journal of High Energy Physics **07**, 149 (2013), URL [http://dx.doi.org/10.1007/JHEP07\(2013\)149](http://dx.doi.org/10.1007/JHEP07(2013)149).
 - ¹⁹ A.M. Polyakov, Nuclear Physics B **120**, 429-458 (1977), URL [https://doi.org/10.1016/0550-3213\(77\)90086-4](https://doi.org/10.1016/0550-3213(77)90086-4).
 - ²⁰ O. Aharony, P. Narayan, and T. Sharma, Journal of High Energy Physics **05**, 117 (2015), URL [http://dx.doi.org/10.1007/JHEP05\(2015\)117](http://dx.doi.org/10.1007/JHEP05(2015)117).
 - ²¹ B. Feng, A. Hanany, and Y.H. He, Journal of High Energy Physics **03**, 090 (2007), URL <http://dx.doi.org/10.1088/1126-6708/2007/03/090>.
 - ²² S. Benvenuti, B. Feng, A. Hanany, and Y.H. He, Journal of High Energy Physics **11**, 050 (2007), URL <http://dx.doi.org/10.1088/1126-6708/2007/11/050>.
 - ²³ J. Gray, A. Hanany, Y.H. He, V. Jejjala, and N. Mekareeya, Journal of High Energy Physics **05**, 99 (2008), URL <http://dx.doi.org/10.1088/1126-6708/2008/05/099>.
 - ²⁴ F. Benini, C. Closset, and S. Cremonesi, Journal of High Energy Physics **09**, 005 (2011), URL [http://dx.doi.org/10.1007/JHEP09\(2011\)005](http://dx.doi.org/10.1007/JHEP09(2011)005).
 - ²⁵ D.L. Jafferis, Journal of High Energy Physics **05**, 159 (2012), URL [http://dx.doi.org/10.1007/JHEP05\(2012\)159](http://dx.doi.org/10.1007/JHEP05(2012)159).
 - ²⁶ C. Hwang, S. Pasquetti, and M. Sacchi, Phys.Rev.D **106**, 6 (2022), URL <http://dx.doi.org/10.1103/PhysRevD.106.105014>.
 - ²⁷ R. Comi, C. Hwang, F. Marino, S. Pasquetti, and M. Sacchi,

chi, *Journal of High Energy Physics* **119**, 102 (2023), URL [https://doi.org/10.1007/JHEP06\(2023\)119](https://doi.org/10.1007/JHEP06(2023)119).

²⁸ S. Benvenuti, R. Comi, S. Pasquetti, *Journal of High Energy Physics* **234**, 102 (2024), URL [https://doi.org/10.1007/JHEP10\(2024\)234](https://doi.org/10.1007/JHEP10(2024)234).

²⁹ S. Benvenuti, and S. Giacomelli, *Journal of High Energy Physics* **10**, 173 (2017), URL [http://dx.doi.org/10.1007/JHEP10\(2017\)173](http://dx.doi.org/10.1007/JHEP10(2017)173).

³⁰ S. Benvenuti, and S. Giacomelli, *Journal of High Energy Physics* **10**, 106 (2017), URL [http://dx.doi.org/10.1007/JHEP10\(2017\)106](http://dx.doi.org/10.1007/JHEP10(2017)106).

³¹ S. Benvenuti, and S. Giacomelli, *Physical Review Letters* **119**, 251601 (2017), URL <http://dx.doi.org/10.1103/physrevlett.119.251601>.

³² A. Kapustin, and M.J. Strassler, *Journal of High Energy Physics* **04**, 021 (1999), URL <http://dx.doi.org/10.1088/1126-6708/1999/04/021>.

³³ E. Witten, (2003), URL <https://doi.org/10.48550/arXiv.hep-th/0307041>.

³⁴ The contribution to the shift in CS level is $+\frac{F}{2}$ for fermions in the anti-fundamental representation, and $-2 \times \frac{N}{2}$ for the fermions in the $\mathcal{N} = 2$ adjoint chiral.

³⁵ For $N = 2$, $F = 4$, $k = 0$ there is also a single gauge invariant monopole \mathfrak{M} on the electric side. This is mapped

to a monopole in the mirror $\hat{\mathfrak{M}} \begin{pmatrix} 2 & 2 & 1 \\ 1 & 0 & \end{pmatrix}$ as well. This exception can be easily understood considering that $SU(2)_0$ with $[4, 0]$ flavors is the same as $SU(2)_0$ with $[2, 2]$ flavors or $USp(2)_0$ with 4 fundamentals which clearly has a chiral ring monopole and the associated Coulomb branch. For $N \geq 3$, $F = 2N$, $k = 0$ from the SCI we detect the presence of a chiral dressed monopole. However, the monopole is nilpotent and there is no Coulomb branch²⁰.

³⁶ Generically, real masses for the other fundamental fields correspond to different mirror dual frames for (12).