

Enhancing K -user Interference Alignment for Discrete Constellations via Learning

Rajesh Mishra, Syed Jafar, Sriram Vishwanath, Hyeji Kim

Abstract—In this paper, we consider a K -user interference channel where interference among the users is neither too strong nor too weak, a scenario that is relatively underexplored in the literature. We propose a novel deep learning-based approach to design the encoder and decoder functions that aim to maximize the sumrate of the interference channel for discrete constellations. We first consider the MaxSINR algorithm, a state-of-the-art linear scheme for Gaussian inputs, as the baseline and then propose a modified version of the algorithm for discrete inputs. We then propose a neural network-based approach that learns a constellation mapping with the objective of maximizing the sumrate. We provide numerical results to show that the constellations learned by the neural network-based approach provide enhanced alignments, not just in beamforming directions but also in terms of the effective constellation at the receiver, thereby leading to improved sum-rate performance.

Index Terms—Multiuser interference channel, interference alignment, deep learning, neural networks, sumrate maximization.

I. INTRODUCTION

With a renewed interest in multiuser and multi-cell scenarios such as MU-MIMO and Cell-Free Massive MIMO [1], understanding the information-theoretic aspects of these systems has become increasingly important. Introduced in 1974 [2], multiuser interference channels model multiple base stations concurrently interacting with numerous cellular mobiles. Extensive research has since been conducted to establish upper and lower capacity bounds for varying interference strengths [3]–[6].

Most of these methods can be broadly divided into two categories: a) avoiding interference by projecting desired signal subspaces orthogonal to the interfering signal space; b) managing interference by controlling the transmit power of the users and thus limiting the amount of interference seen at the receivers of the non-intended users. For K -user interference channels,

Rajesh Mishra is with Samsung Research America Inc. Syed Jafar is with the Department of Electrical Engineering and Computer Science at the University of California at Irvine. Sriram Vishwanath and Hyeji Kim are with the Department of Electrical and Computer Engineering at the University of Texas at Austin, Austin, TX, USA. Emails: {rajeshkmishra@utexas.edu, syed@uci.edu, sriram@utexas.edu, hyeji@utexas.edu}

interference alignment schemes were proposed [7]–[9] that tackle interference by projecting the signal onto interference-free subspaces, orthogonal to the interference from all the other interfering users in the channel. Distributed interference alignment schemes offer an iterative approach to derive the interference-free subspaces for transmission without requiring global channel knowledge [10]. Schemes provided by [11], [12], on the other hand, address interference through appropriate power allocation schemes.

Deep learning-aided physical layer (PHY) design has recently attracted much interest for communication in general [13]–[23] and for interference channels [24]–[26] in particular. A centralized autoencoder framework for two-user interference channels was introduced in [24]. They show that neural network-based codes, trained jointly, outperform time-sharing schemes for two-user interference channels. In [25], the authors propose an adaptive deep learning algorithm for K -user symmetric interference channels and show that their algorithm outperforms the conventional system using PSK or QAM . A joint optimization of the encoder-decoder setup in a deep autoencoder framework for a 2-user Z-interference channel was proposed in [26], where the authors find interference-aware constellations for finite-alphabet messages with imperfect channel knowledge.

Optimal coding schemes for interference networks remain scarcely understood, especially in the moderate interference regime where the strength of the interfering signals is comparable to that of the desired signal from the users. In this paper, we primarily focus on such scenarios and aim to develop schemes for communicating discrete messages over interference channels. It is important to note that while most conventional work has focused on Gaussian inputs [27], we address more practical setups involving discrete inputs.

Starting with MaxSINR [10], the state-of-the-art distributed interference alignment scheme, we propose two modifications to enhance its achievable sumrate for discrete inputs. First, we employ a Maximum Likelihood (ML) decoder to improve the decoding efficiency. Second, we train a neural network that is initialized

to mimic the MaxSINR algorithm to maximize the sumrate. The neural network learns suitable non-linear modulation maps, precoding vectors, and power allocations. We show that this method enhances the achievable sumrate and provides interpretations of the learned constellations. The rest of the paper is organized as follows.

- *System model and problem formulation.* In Section II, we describe the model for the K -user interference channel transmission system consisting of K pairs of encoders and decoders. In Section III, we formulate the problem where we describe the type of messages considered and introduce the encoder and decoder functions that are to be designed to optimize the objective function, which is maximizing the sumrate.
- *MaxSINR and DISC-MaxSINR.* In Section IV, we review the conventional interference alignment problem, where the messages are assumed to follow Gaussian distributions, and the state-of-the-art linear scheme, called the MaxSINR algorithm by [10], which aims to optimize the Signal-to-Interference-and-Noise Ratio (SINR). While the Gaussianity assumption helps mathematical analysis, the messages often do not follow the Gaussian distribution. For example, the messages are often modulated symbols and can be modeled as uniform discrete random variables. Considering these practical considerations, in Section IV-B, we formulate a modified interference alignment problem, where the messages are assumed to follow discrete uniform distributions. As an initial attempt to solve this problem, we use the encoder designed using the MaxSINR algorithm as the baseline and then use the discrete messages as the input and ML decoder for the decoding. This approach, we call DISC-MaxSINR, forms the baseline for our future learning-based approach.
- *DISC-MaxSINR+ (MaxSINR with NN-based post processing)* In Section V, we ask the following question: “can we go beyond the MaxSINR algorithm?” Specifically, we aim to design the encoder using a neural network framework with appropriate power control and solve the newly formulated optimization problem. We achieve this goal by (i) modeling the encoder as neural networks, (ii) presenting a modified analytical version of the ML decoder, (iii) introducing a suitable loss function, and finally, (iv) training them jointly but with an initialization of the MaxSINR encoder and decoder.
- *Results and interpretation.* In Section VI, we present the results of our numerical experiments and provide interpretations in Section VII. We observe that

the neural network-based approach leads to improved interference alignments, introduces varying sizes of constellations across users, and generates non-uniform constellations, resulting in a notable improvement in sumrate compared to the non-learning baselines. We investigate the roles of these three aspects and empirically demonstrate that each one contributes to the enhanced sum rate. Additionally, we show that incorporating insights from MaxSINR solutions as domain knowledge to initialize the neural networks is crucial for faster convergence and avoiding local minima.

II. SYSTEM MODEL

Consider a K -user interference channel depicted in Fig. 1 with K pairs of encoders and decoders at the transmitters and receivers, respectively. Let $\mathbf{Y}_i \in \mathbb{C}^n$ be the signal received at the i^{th} decoder which can be expressed as

$$\mathbf{Y}_i = \sum_{j=1}^K \mathbf{H}_{ij} \mathbf{X}_j + \mathbf{Z}_i \quad \forall i \in [K], \quad (1)$$

where $\mathbf{X}_j \in \mathbb{C}^n$ denotes the transmitted symbol from the j^{th} encoder, and $\mathbf{H}_{ij} \in \mathbb{C}^{n \times n}$ denotes the complex channel coefficient for the link between i^{th} decoder and j^{th} encoder. Let $\mathbf{Z}_i \in \mathbb{C}^n \sim \mathcal{CN}(0, \sigma^2 \mathbf{I}) \quad \forall i \in [K]$ denote the Gaussian noise vector at i^{th} receiver with variance σ^2 and n be the symbol extension in the temporal or the spatial dimension. The power constraint on the transmitted symbol is given as $\mathbb{E}[\|\mathbf{X}_j\|^2] \leq 1, \quad \forall j \in [K]$.

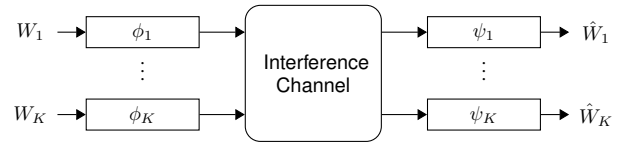


Fig. 1: Multiuser interference network setup with m -bit binary messages W_i as inputs to the K encoders ($\phi_{1:K}$) on the transmitter side which are received over an interference channel at the K decoders ($\psi_{1:K}$) on the receiver side to produce the estimated messages \hat{W}_i .

We assume a global channel knowledge, i.e., the channel \mathbf{H}_{ij} , representing the link between the i^{th} receiver and the j^{th} transmitter for any i, j , is known at all the transmitters and the receivers. We also assume the channel to be reciprocal, as in [10]. Loosely speaking, if the receiver sees the least interference along a certain signaling dimension, it will also cause the least interference along that dimension when the

roles of the transmitter and the receiver are switched. Mathematically, the received signal for a reciprocal channel can be expressed as

$$\mathbf{Y}_j = \sum_{i=1}^K \bar{\mathbf{H}}_{ji} \mathbf{X}_i + \mathbf{Z}_j \quad \forall j \in [K],$$

where the receivers switch roles as the transmitters, and $\bar{\mathbf{H}}_{ji} = \mathbf{H}_{ij}^T$, with $()^T$ denoting transpose. The reciprocity of channels is essential for distributed algorithms as it removes the need for the side information at the encoder about the amount of interference it causes to the unintended receivers. In the next section, we describe the assumptions on the message, encoder and decoder functions, and the performance metric, and we frame our objective.

III. PROBLEM FORMULATION

We assume that the transmitted messages $W_i \in \{0, \dots, 2^m - 1\}$ are m -bit binary messages. A suitable decoder is employed at the receiver to obtain the estimated message \hat{W}_i , which are also m -bit binary messages. Formally, let ϕ_i denote the encoder and ψ_i denote the decoder for the i -th user pair as shown in Fig. 1. The encoder ϕ_i , defined as $\phi_i : W_i \in \{0, \dots, 2^m - 1\} \rightarrow \mathbf{X}_i \in \mathbb{C}^n$, takes a discrete m -bit binary message sequence W_i as input and maps it to a complex symbol $\mathbf{X}_i \in \mathbb{C}^n$ transmitted over the interference network. The decoder ψ_i , defined as $\psi_i : \mathbf{Y}_i \in \mathbb{R}^n \rightarrow \hat{W}_i \in \{0, \dots, 2^m - 1\}$, maps the received signal $\mathbf{Y}_i \in \mathbb{C}^n$ to the estimated message bit sequence \hat{W}_i . Mathematically,

$$\mathbf{X}_i = \phi_i(W_i), \quad (2)$$

$$\hat{W}_i = \psi_i(\mathbf{Y}_i). \quad (3)$$

The encoder and decoder functions are designed to maximize a performance metric. This paper considers the *sumrate* as the performance metric and discusses how to design the encoder and decoder functions to maximize the sumrate.

A. Sumrate as the performance metric and objective function

We use the sumrate of the K -user interference channel both as the performance metric and the objective function to optimize the encoder and decoder functions. Specifically, we consider the sumrate that is given by the sum of the mutual information between the transmitted m -bit message W_i and the estimated message bits \hat{W}_i , i.e.,

$$R := \sum_{i=1}^K I(W_i; \hat{W}_i). \quad (4)$$

From (4), we have the sumrate calculated as the sum of the mutual information between the transmitted and received messages for each user i . Mutual information is the maximum achievable rate for a given channel given a specific input distribution. In other words, it is the maximum number of bits that can be transmitted per channel use such that with an appropriate decoder, the error probability can be made arbitrarily small. In this paper, we assume that the input messages W_i 's are uniformly distributed, and we want to maximize the sumrate given such a distribution. The mutual information for each user $I(W_i; \hat{W}_i)$ can be computed from the transition probability matrix, $\mathbb{P}(W_i, \hat{W}_i) \in \mathbf{R}^{2^m} \times \mathbf{R}^{2^m}$ as

$$I(W_i; \hat{W}_i) = \sum_{W \in \mathcal{W}} \sum_{\hat{W} \in \mathcal{W}} \mathbb{P}(W, \hat{W}) \log \frac{\mathbb{P}(W, \hat{W})}{\mathbb{P}(W)\mathbb{P}(\hat{W})}, \quad (5)$$

where $\mathcal{W} = \{0, \dots, 2^m - 1\}$ is the set of possible discrete messages. The marginal probabilities, $\mathbb{P}(W)$ and $\mathbb{P}(\hat{W})$ are obtained by summing along the rows and columns of the transition probability matrix. Note that the joint probability matrix $\mathbb{P}(W_i \in \mathcal{W}, \hat{W}_i \in \mathcal{W})$, with $\mathcal{W} = \{0, 1, \dots, 2^m - 1\}$, in (5) can be computed as

$$\mathbb{P}(W_i, \hat{W}_i) = \int \mathbb{P}(\hat{W}_i | \mathbf{Y}_i) \mathbb{P}(\mathbf{Y}_i | W_i) \mathbb{P}(W_i) d\mathbf{Y}_i, \quad (6)$$

where $\mathbb{P}(\mathbf{Y}_i | W_i)$ is the probability density function of the received symbols \mathbf{Y}_i at the receiver i given W_i was the original message that was transmitted. In the next section, we describe the ML decoder, which minimizes the probability of decoding error in the method to compute $\mathbb{P}(\mathbf{Y}_i | W_i)$.

B. ML decoder as the optimal decoder for discrete messages

The K -user interference channel depicted in Fig. 1 considers discrete messages as input. Before obtaining the optimal encoder that maximizes the sumrate in (4), we describe the ML decoder $\psi_i = \psi_i^{\text{ML}}$ to recover discrete messages. The ML decoding rule for estimating m -bit discrete messages $\hat{W}_i \in \{0, \dots, 2^m - 1\}$ for $i \in [K]$ from the received signals $\mathbf{Y}_i = \mathbf{y}_i$ can be expressed as

$$\hat{W}_i(\mathbf{y}_i) = \arg \max_{w'_i \in \{0, \dots, 2^m - 1\}} \mathbb{P}(\mathbf{Y}_i = \mathbf{y}_i | W_i = w'_i), \quad (7)$$

where $\mathbb{P}(\mathbf{Y}_i = \mathbf{y}_i | W_i = w'_i)$ denotes the probability of receiving the sample $\mathbf{Y}_i = \mathbf{y}_i$ given $W_i = w'_i$ was the transmitted message while the the messages of other interfering users, $W_1, \dots, W_{i-1}, W_{i+1}, \dots, W_K$ are

chosen at random. In the following, we describe the ML decoding rule and how to compute $\mathbb{P}(\mathbf{Y}_i|W_i)$.

Theorem 1: Let $W_i \in \{0, 1, \dots, 2^m - 1\}$ for $i \in \{1, \dots, K\}$ be a set of discrete messages that are transmitted over a K-user interference channel with additive Gaussian noise. Let \mathbf{Y}_i for $i \in \{1, \dots, K\}$ denote the symbols that are received at the i^{th} decoder, then the decision for the estimated message is taken based on the ML decoding rule in (7), where the probability $\mathbb{P}(\mathbf{Y}_i|W_i)$ is computed as

$$\mathbb{P}(\mathbf{Y}_i|W_i = w_i) \propto \sum_{W_1=0}^{2^m-1} \cdots \sum_{W_{i-1}=0}^{2^m-1} \sum_{W_{i+1}=0}^{2^m-1} \cdots \sum_{W_K=0}^{2^m-1} e^{-\frac{1}{2\sigma^2} \|\mathbf{Y}_i - \mathbf{H}_{ii}\mathbf{V}_i W_i - \sum_{j=1, i \neq j}^K \mathbf{H}_{ij}\mathbf{V}_j W_j\|^2}. \quad (8)$$

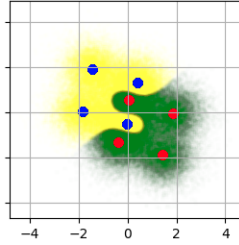


Fig. 2: An illustration of non-linear ML decoding regions.

Illustration: Let us illustrate the decoding methodology through an example where three users transmit BPSK symbols over an interference channel. The encoders of each of these users encode a single-bit binary message into complex symbols, which are transmitted over the interference network and received at their respective decoders. The transmitted symbols interfere with one another, and each user receives a symbol different from the one transmitted. In Fig. 2, we plot the received symbols at the decoder of user 1 when the transmitted message $W_1 = 0$ (red color) and $W_1 = 1$ (blue color) if there had been no noise. There are four dots of each color due to two interfering users causing four possible interfered symbols per each desired symbol; the interfering symbol pair (W_2, W_3) could correspond to four different pairs $(0, 0)$, $(0, 1)$, $(1, 0)$, or $(1, 1)$. The colored patches represent all the possible received symbols when the transmitted message is $W_1 = 0$ and $W_1 = 1$, considering Gaussian noise.

An ideal decoder should have a decision boundary to correctly decode all the received interfered symbols to the transmitted message $W_1 = 0$ and $W_1 = 1$. The ML decoder uses the ML decoding rule, a distance-based metric, to compute the probability of each of those

samples being from one of the transmitted messages $W_1 = 0$ or $W_1 = 1$. It considers the proximity of the received symbols to the desired set of symbols (blue and red dots in the figure) to compute the probability of each of the received symbols being from the transmitted message $W_1 = 0$ or $W_1 = 1$. The color codes, yellow and green, are done according to the probability $\mathbb{P}(\mathbf{Y}_1|W_1 = 0)$ or $\mathbb{P}(\mathbf{Y}_1|W_1 = 1)$ whichever is higher. In other words, the received samples that have a higher $\mathbb{P}(\mathbf{Y}_1|W_1 = 0)$ are coded yellow while the ones that have a higher $\mathbb{P}(\mathbf{Y}_1|W_1 = 1)$ are coded green. The decision boundary is the boundary between the yellow and the green patches. The final decision is made such that all received samples in the yellow region are mapped to $W_1 = 0$ while all the samples in the green region are mapped to $W_1 = 1$. This decoder strategy is followed throughout the paper and is used to optimize the objective function to compute an ideal encoder.

Now that we have an analytical description of the decoder, we are ready to formulate an objective function to obtain the optimal encoder that maximizes the sum rate in (4). The following section obtains the objective function for optimizing the encoder under the ML decoder.

C. Objective

Given the encoder ϕ_i , and the decoder ψ_i^{ML} , for user i , we frame our final problem as

$$\phi_i = \arg \max_{\phi_i} \sum_{i=1}^K I(W_i; \psi_i^{\text{ML}}(\mathbf{Y}_i)), \quad (9)$$

where $\mathbf{Y}_i = \mathbf{H}_{ij}\mathbf{X}_i + \mathbf{Z}_i$, with $\mathbf{X}_i = \phi_i(W_i)$, is the received signal at the i^{th} decoder. The optimization problem in (9) is a non-convex optimization problem.

In the next section, we present a solution provided in [10] for the Gaussian messages and then propose modifications to the algorithm to make it suitable for discrete messages.

IV. MAXSINR: A STATE-OF-THE-ART LINEAR SCHEME FOR GAUSSIAN MESSAGES

In the previous section, we established our problem statement that we want to obtain an encoder that would maximize the sumrate of the K -user interference channel. In this section, we review existing approaches to interference alignment and establish baselines that we use later to evaluate our interference alignment algorithm. Specifically, in Section IV-A, we review the state-of-the-art interference algorithm, called the MaxSINR algorithm proposed in [10]; this algorithm aims to maximize the sum rate for Gaussian messages for such channels. Unlike the setup in our paper, the

| | MaxSINR | Our Setup |
|--------------------|--|------------------------------------|
| Messages | $W_i \sim \mathcal{N}(0, 1)$ | $W_i \in \{0, 1, \dots, 2^m - 1\}$ |
| Encoder | $\mathbf{X}_i = \mathbf{V}_i W_i$ | $\mathbf{X}_i = \phi_i(W_i)$ |
| Decoder | $\hat{W}_i = \mathbf{U}_i \mathbf{Y}_i$ | $\hat{W}_i = \psi_i^{ML}(Y_i)$ |
| Performance metric | $\sum_{i=1}^K I(\mathbf{X}_i; \mathbf{Y}_i)$ | $\sum_{i=1}^K I(W_i; \hat{W}_i)$ |

TABLE I: Comparison of the MaxSINR setup and our setup

MaxSINR algorithm assumes Gaussian messages and linear encoders and decoders. In Section IV-B, we discuss how one can naturally tailor the MaxSINR algorithm to discrete messages by changing the decoder from linear to the maximum likelihood decoder for discrete messages, which we call Disc-MaxSINR. This algorithm also becomes the baseline for our paper; in the following sections, we adapt the encoder and decoder to design an interference alignment algorithm tailored to the discrete messages and demonstrate the performance improvement upon Disc-MaxSINR.

A. MaxSINR algorithm

Setup. The paper [10] considers a K -user interference channel depicted in Fig. 1 wherein the transmitter i precodes a Gaussian message $W_i \sim \mathcal{N}(0, 1)$ to a symbol $\mathbf{X}_i \in \mathbb{C}^n$ as $\mathbf{X}_i = \mathbf{V}_i W_i$ and at the receiver, the encoded message is retrieved from the received signal \mathbf{Y}_i as $\hat{W}_i = \mathbf{U}_i \mathbf{Y}_i$. The MaxSINR algorithm seeks to find the precoding vectors $\mathbf{V}_i \in \mathbb{C}^n$ and the combination vector $\mathbf{U}_i \in \mathbb{C}^n$ that maximize the sumrate of the interference channel assuming Gaussian transmitted symbols expressed as

$$R = \sum_{i=1}^K I(\mathbf{X}_i; \mathbf{Y}_i), \quad (10)$$

where \mathbf{X}_i and \mathbf{Y}_i are the transmitted and received symbols respectively. For the case when the transmitted and received symbols are Gaussian distributed, we have a closed-form expression for the mutual information of any user i and can be rewritten as $I(\mathbf{X}_i; \mathbf{Y}_i) = \log(1 + \text{SINR}_i)$. Therefore, as the name of the algorithm suggests, the aim is to maximize the Signal to Interference and Noise Ratio (SINR) at each of the users such that the sum rate would be maximized. TABLE I depicts the differences in our setup considered in the paper and the one in [10].

MaxSINR algorithm. The MaxSINR algorithm proposed by authors in [10] aims to maximize the sum rate of the K -user network by finding the $\mathbf{U}_i, \mathbf{V}_i$ vectors for all users, $i \in [1, K]$ that maximize the SINR at

each receiver i . The algorithm solves the optimization equation

$$\mathbf{U}_{1:K}, \mathbf{V}_{1:K} = \arg \max_{\mathbf{U}_{1:K}, \mathbf{V}_{1:K}} \sum \log(1 + \text{SINR}_i),$$

where

$$\text{SINR}_i = \frac{(\mathbf{U}_i \mathbf{H}_{ii} \mathbf{V}_i) (\mathbf{U}_i \mathbf{H}_{ii} \mathbf{V}_i)^T}{\mathbf{U}_i \mathbf{B}_i \mathbf{U}_i^T + \sigma^2 \mathbf{I}},$$

and $\mathbf{B}_i = \sum_{j \neq i} (\mathbf{H}_{ij} \mathbf{V}_j) (\mathbf{H}_{ij} \mathbf{V}_j)^T$ is the cumulative interference at the i^{th} receiver.

Algorithm 1: MaxSINR Algorithm

```

for multiple runs do
  Initialization: Choose  $\mathbf{V}_{1:K}$  as  $K, n \times 1$ 
  random complex vectors
  for each iteration do
     $\forall i \in [K]$ , compute  $\mathbf{U}_i$  as
       $\mathbf{U}_i = \frac{\mathbf{B}_i^{-1} \mathbf{H}_{ii} \mathbf{V}_i}{\|\mathbf{B}_i^{-1} \mathbf{H}_{ii} \mathbf{V}_i\|}$ 
    Compute the sum rate:
       $R = \sum_{i=1}^K \log(1 + \text{SINR}_i)$ 
    Reciprocal channel:  $\forall i \in [K]$ ,  $\bar{\mathbf{V}}_i = \mathbf{U}_i$ 
     $\forall i \in [K]$ , compute  $\bar{\mathbf{U}}_i$  as
       $\bar{\mathbf{U}}_i = \frac{\bar{\mathbf{B}}_i^{-1} \bar{\mathbf{H}}_{ii} \bar{\mathbf{V}}_i}{\|\bar{\mathbf{B}}_i^{-1} \bar{\mathbf{H}}_{ii} \bar{\mathbf{V}}_i\|}$ 
    Forward channel:  $\mathbf{V}_i = \bar{\mathbf{U}}_i \forall i \in [K]$ 
  end
  Store  $\mathbf{V}_i, \mathbf{U}_i$  if  $R$  is maximum
end

```

The computation of the precoding vectors \mathbf{V}_i and the combination vectors \mathbf{U}_i is done using an iterative algorithm and assuming reciprocity. Precisely, as depicted in Algorithm 1, the algorithm uses alternate maximization in the forward and reciprocal directions to ultimately converge to the final $\{\mathbf{V}\}_{i=1}^{i=K}$ and $\{\mathbf{U}\}_{i=1}^{i=K}$ which maximizes the sum-rate. The variables $(\bar{\cdot})$ denote the vectors computed for the reciprocal transmission.

Other interference alignment techniques work by suppressing the interference caused by any user to other users [7], [28]–[32]; however, they have poor performance at intermediate and low Signal to Noise Ratio (SNR) regimes as no effort is made to maximize the desired signal strength at the receiver. MaxSINR maximizes the SINR at the receivers of each of these users and, therefore, outperforms all these schemes in these regimes, though the optimality of MaxSINR algorithm is not guaranteed. Moreover, power allocation for users in this setting remains an open problem, which we will address later in our paper.

B. DISC-MaxSINR: Modifying MaxSINR for discrete messages

In the previous section, we discussed the conventional MaxSINR algorithm, which is tailored for achieving the maximum sum rate for *Gaussian* messages. Here, we consider the setup introduced in Section II, where the underlying messages are *m-bit discrete messages*, and introduce Disc-MaxSINR, a modified version of the MaxSINR algorithm. As we explain, we let the encoder be the MaxSINR encoder, while we use the ML decoder instead of the conventional MaxSINR decoder.

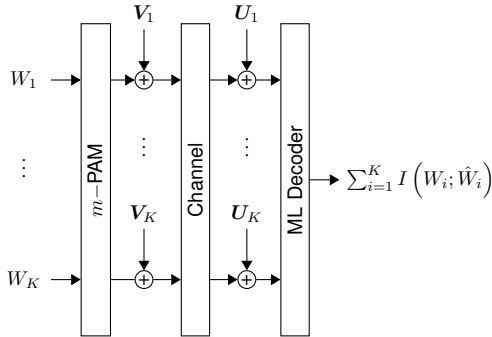


Fig. 3: *DISC-MaxSINR* setup for discrete messages: Beamforming vectors $\{\mathbf{V}_i\}_{i=1}^K$ and $\{\mathbf{U}_i\}_{i=1}^K$ are derived from the MaxSINR algorithm.

Setup. The DISC-MaxSINR setup for the discrete messages is shown in Fig. 3 where we show the Gaussian interference channel with K pairs of encoders and decoders. The equation governing the received signal \mathbf{Y}_i at decoder i is the same as in (1). We focus on communicating m -bit binary messages, i.e., $W_i \in \{0, \dots, 2^m - 1\}$ for all $i \in [K]$.

Encoder as the MaxSINR encoder. The encoder first modulates the m -bit binary messages, i.e., $W_i \in \{0, \dots, 2^m - 1\}$ for all $i \in [K]$ using the m -PAM and then precodes it with the \mathbf{V}_i 's obtained from the algorithm described in Section IV. The i^{th} encoder of the DISC-MaxSINR algorithm is given as $\mathbf{X}_i = \sqrt{P_i} \mathbf{V}_i W_i^*$, where the precoding vectors $\{\mathbf{V}_i\}_{i=1}^K$, $\mathbf{V}_i \in \mathbb{R}^n$ are derived from the conventional MaxSINR algorithm (n is the symbol extension) and $W_i^* \in \mathbb{R}$ are the PAM-modulated symbols of the discrete m -bit binary messages W_i , normalized to unit power.

Decoder as the ML decoder. The design of the decoder for the MaxSINR setup can be done in two ways. We can assume a *linear receiver* where the received signal \mathbf{Y}_i is decoded using the combination vector \mathbf{U}_i as $\hat{W}_i = \mathbf{U}_i \mathbf{Y}_i$ which is then sent to ML decoder that obtains the estimated message \hat{W}_i . The other way is to assume a *non-linear ML receiver* where the received

signal \mathbf{Y}_i is sent to the ML decoder directly to obtain the estimated message \hat{W}_i . The benefit of the ML decoder can be seen in the illustration in Section III-B. We consider both cases and compare the performance of the two receivers in the next section. We, henceforth, refer to the linear receiver as MaxSINR while the non-linear receiver representation of the MaxSINR setup is referred to as DISC-MaxSINR.

In summary, the DISC-MaxSINR setup provides a conventional encoder design algorithm using the MaxSINR algorithm but using the ML decoder and the discrete message setup considered in the paper. In the subsequent sections, we focus on optimizing the encoder design for the discrete messages. We first propose a neural network-based approach to learn the encoder constellation for discrete message transmission.

V. DISC-MAXSINR+: ENHANCING MAXSINR WITH NEURAL NETWORK LEARNING

In the previous section, we proposed modifications to the MaxSINR algorithm to make it suitable for discrete messages. However, like the conventional algorithm, it still adheres to a linear encoder mapping between the messages and the transmitted symbols.

To further improve the performance of communicating discrete messages over the K -user interference channel, we relax the linearity constraint on the encoder and propose a neural network-based approach to learn the constellation jointly with a suitable precoder and power allocation. We term this approach as “DISC-MaxSINR+”. We first describe the neural network architecture consisting of the encoder and the decoder. We then describe the training procedure and the loss function. We base our neural network architecture on the encoder architecture of the MaxSINR setup and use the ML decoder described in Section III-B.

A. Encoder

The neural network architecture, as shown in Fig. 4, is broadly divided into three parts: the encoder, the decoder, and the computation of loss function. The encoder operation is represented as

$$\mathbf{X}_i = \phi_i(W_i; \mathbf{M}_i \mathbf{V}_i, P_i),$$

where W_i is the input symbol to be transmitted, $\mathbf{M}_i \in \mathbb{R}^{2^m}$, $\mathbf{V}_i \in \mathbb{R}^n$ and $P_i \in \mathbb{R}$ are the parameters of the encoder. It can be viewed as a three-layer neural network as shown in Fig. 4 consisting of a modulation layer, a precoding layer, and a final power allocation layer. The modulation layer maps the input message W_i to one of the 2^m constellation points on the real line. The precoding layer precodes it with a n dimensional

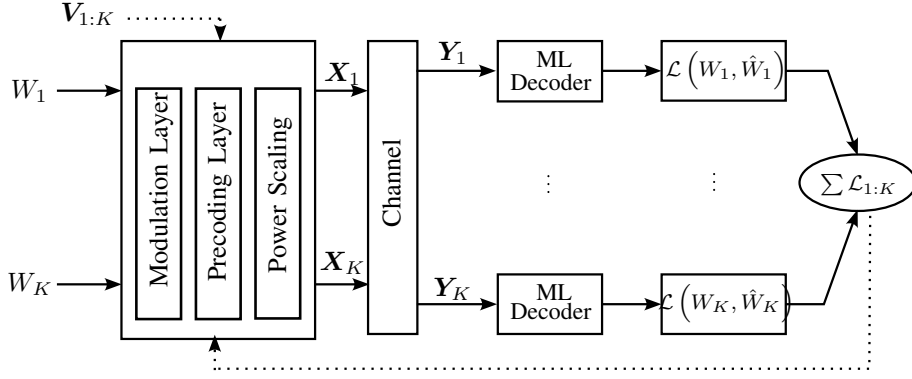


Fig. 4: DISC-MaxSINR+ : Neural Network Architecture. It consists of the encoder part, which is a three-layer neural network, and the decoder part, which is the ML decoder. The encoder part consists of a modulation layer, a precoding layer, and a power allocation layer. The loss function is computed for each user, and the sum of the loss functions is minimized.

vector, and the final power allocation layer scales the transmit vectors using the power allocation parameters P_i . As we explain in detail later in Section V-D, the architecture takes the learned precoders and the m -PAM constellation as the pretraining inputs for setting the initial conditions for the trainable parameters. We now describe the mathematical operations involved in each of these layers, the parameters that need to be learned, and how some of the parameters are initialized.

Modulation layer: The input to the Modulation layer is $W_i^\dagger \in \mathbf{R}^{2^m}$, which denotes a one-hot representation of the input message W_i . That is, $W_i = m$ corresponds to W_i^\dagger such that all elements are zero except the m^{th} element which is set to 1. Let $M_i \in \mathbf{R}^{2^m \times 1}$ be a single-dimensional vector containing the learned constellation. The output of the modulation layer is given by $\tilde{W}_i = M_i^T W_i^\dagger$ where $\tilde{W}_i \in \mathbf{R}$. The parameters of M_i need to be learned with the only constraint that $\mathbb{E}(\tilde{W}_i) = 0$. In order to ensure that, we enforce the constraint $\{m_i^{2^m-1+1} : m_i^{2^m}\} = -\{m_i^0 : m_i^{2^m-1}\}$ where m_i^j represents the j^{th} element of M_i . These parameters are initialized with the values of a 2^m -PAM constellation. It is also ensured that the learned constellation points are normalized to unit power at each step of the training process.

Precoding layer: The input to the precoding layer is \tilde{W}_i and the output is $\tilde{X}_i \in \mathbf{R}^n$ which is obtained as $\tilde{X}_i = V_i \tilde{W}_i$. The parameters of the precoding layer are $V_i \in \mathbf{R}^{n \times 1}$ which needs to be learned with the constraint that $\mathbb{E}(\|\tilde{X}_i\|^2) = 1$. This is ensured by normalizing the precoding vector V_i after each update. The parameters are initialized with the precoding vectors obtained from the MaxSINR algorithm.

Power scaling: The power allocations are done

across users to maximize the sum rate. The power allocation parameters are $P_i \in \mathbf{R}$, which needs to be learned. These values are initialized with unity and then learned during the training process. The values are constrained to be between 0 and 1.

B. Decoder

For the decoder, we adopt a modified version of the ML decoder described in Section III-B. The decoder with the decoding rule in (7) involves an argmax operation that renders the training process non-differentiable. Therefore, we use an ML decoder with “soft decoding” that outputs a probability distribution over the possible transmitted messages. We then apply a temperature scaling to the probability distribution to mimic the argmax operation. The temperature scaling is replaced by the argmax operation in the final testing scenarios to compute the sumrate.

Let us define a function $Q_i : \mathbf{R}^n \rightarrow \mathbf{R}^{2^m}$ that maps the received sample $Y_i = \mathbf{y}_i$ to a scaled probability distribution over the possible transmitted messages. Letting $Q_i^{(l)}(\mathbf{y}_i)$ denote the l -th element of $Q_i(\mathbf{y}_i)$, i.e., $Q_i(\mathbf{y}_i) = (Q_i^{(0)}(\mathbf{y}_i), \dots, Q_i^{(2^m-1)}(\mathbf{y}_i))$, we let

$$Q_i^{(l)}(\mathbf{y}_i) = \frac{e^{-\beta_i \mathbb{P}(\hat{W}_i=l|Y_i=\mathbf{y}_i)}}{\sum_{l=0}^{2^m-1} e^{-\beta_i \mathbb{P}(\hat{W}_i=l|Y_i=\mathbf{y}_i)}} \quad (11)$$

for $l = 0, \dots, 2^m-1$. The parameter β_i is a temperature scaling parameter that helps us to mimic the argmax operation without making the process non-differentiable. As the value, β_i increases, the probability distribution becomes more peaked around the maximum value which converges to the argmax operation as $\beta_i \rightarrow \infty$. With β_i set to zero, the probability distribution becomes uniform. This way, we relax the argmax operation to a

varying degree, where the amount of variation can be learned during the training process. In the final testing scenarios, the temperature scaling is replaced by the argmax operation to compute the sum rate.

The computed probabilities are computed analytically using the sum rate via the mutual information in (4). By relaxing the argmax operation during the training, we ensure that the whole process is differentiable so that the gradient can be computed and the parameters can be updated using backpropagation. The following section describes the loss function and the training process.

C. Loss function

As our goal is to maximize the sum rate, defined in (4), we define the loss function as the negative sum rate. That is, we let

$$\begin{aligned} \mathcal{L}_i &= -I(W; \hat{W}_i) \\ &= - \sum_{w_i, w'_i} \mathbb{P}(W_i = w_i, \hat{W}_i = w'_i) \\ &\quad \times \log \left(\frac{\mathbb{P}(W_i = w_i, \hat{W}_i = w'_i)}{\mathbb{P}(W_i = w_i) \mathbb{P}(\hat{W}_i = w'_i)} \right) \end{aligned}$$

and our final loss function is given as $\mathcal{L} = \sum_i \mathcal{L}_i$.

The key term in evaluating the loss function is the transition probability matrix, $\mathbb{P}(W_i, \hat{W}_i) \in \mathbf{R}^{2^m} \times \mathbf{R}^{2^m}$, which refers to the joint probabilities of transmitting $W_i = w_i$ and estimating it as $\hat{W}_i = w'_i$ for all possible values of w_i and w'_i .

Note that each element of the probability transition matrix can be written in terms of the decoding probabilities \mathbf{Q}_i as

$$\begin{aligned} &\mathbb{P}(W_i = w_i, \hat{W}_i = l) \\ &= \int \mathbf{Q}_i^{(l)}(\mathbf{y}_i) \mathbb{P}(\mathbf{Y}_i = \mathbf{y}_i | W_i = w_i) \mathbb{P}(W_i = w_i) d\mathbf{y}_i. \end{aligned} \quad (12)$$

We can then approximate (12) from samples via Monte Carlo simulation as

$$\mathbb{P}(W_i = w_i, \hat{W}_i = l) \approx \frac{1}{N} \sum_j \mathbf{Q}_i^{(l)}(\mathbf{y}_i^j) \mathbb{P}(W_i = w_i), \quad (13)$$

where \mathbf{y}_i^j represents the j^{th} sample received at the receiver i , $j \in [N]$, and N is the number of sample points used to compute the sample average. We can also calculate an entire row of the transition probability matrix simultaneously: noting $\mathbf{Q}_i(\mathbf{y}_i) = (\mathbf{Q}_i^{(0)}(\mathbf{y}_i), \dots, \mathbf{Q}_i^{(2^m-1)}(\mathbf{y}_i))$,

$$\begin{aligned} &\left\{ \mathbb{P}(W_i = w_i, \hat{W}_i = l) \right\}_{l \in [0, 2^m-1]} \\ &\approx \frac{1}{N} \sum_j \mathbf{Q}_i(\mathbf{y}_i^j) \mathbb{P}(W_i = w_i). \end{aligned} \quad (14)$$

This is a Monte Carlo approximation of the transition probability matrix and represents a single row of the matrix corresponding to the transmitted message $W_i = w_i$. It is repeated for each possible transmit message to complete the matrix. At the end of this operation, we have a matrix where the rows correspond to the transmitted symbols and the columns correspond to the received symbols. The matrix is populated with the probabilities of receiving the symbol $\hat{W}_i = l$ given that the transmitted symbol was $W_i = w_i$.

D. Training

We train the network using a batch size of 10000 samples of $2^m \times K$ one hot vectors as input to the encoder. These are obtained by generating a random set of binary messages $W_i \in \{0, 1\}^m$ and then setting the corresponding position of a zero vector as 1. Each epoch consists of 2 steps. The first step is to send a set of message bits that consist of all the combinations of binary messages across all the users so that the reference points are captured at the decoder. In the next step, we send the input samples and obtain the loss function. An Adam optimizer with a fixed learning rate of 0.001 is used to compute the gradient and update the encoder's parameters.

Pretraining. An important aspect of the training is that we begin the neural network training by loading the network parameters with a set of constellation points obtained by the DISC-MaxSINR algorithm instead of random initialization. We term the step as ‘‘pretraining’’. The training of the neural network representing the encoder has trainable variables corresponding to the modulation layer, which is the mapping of the messages to modulated symbols; the precoding layer, where the symbols are precoded with the precoding vectors, and the power allocation layer, where the symbols are scaled with the power allocation parameters. The naive way of initializing them before training is to assume random values for these variables. However, we find that the training process in such a case is slow, and there is a high chance that the network will get stuck in a local minima. Therefore, we initialize the trainable variables with the constellation points obtained from the DISC-MaxSINR algorithm, where the variables in the precoding layers are initialized with the precoding vectors obtained from the DISC-MaxSINR algorithm. In contrast, the variables in the modulation layer are initialized

with the constellation points of the corresponding PAM constellation. This ensures that the network does not start with a random constellation, making the training faster. Moreover, this also ensures that the optimization is not stuck in local minima. We empirically verify that this pretraining phase is crucial.

VI. RESULTS

In this section, we present the results of our work. We showcase the plots of sumrate using the approaches discussed in Section IV and Section V. The comparison is performed for two different channel settings, the symmetric and asymmetric interference channels, which we describe in Section VI-A. In Section VI-A, we describe the channel we consider, the effect of different channel parameters on the channel performance, and ways to characterize them. In Section VI-B, we show a superior performance of our proposed network-based approaches over the conventional MaxSINR algorithm; we show that choosing a non-linear mapping for the messages in the constellation space leads to a noticeably better performance in terms of sum rate.

The plots compare with the baseline technique, which uses a distributed iterative approach to obtain the precoding vectors that maximize the SINR at the receiver. It is the conventional MaxSINR algorithm proposed in [10]. Though the computation of the precoding vectors is independent of the type of input symbols, the algorithm is optimal for Gaussian symbols. We compare this approach to study the performance difference in the sumrate if we use a non-linear receiver instead of a linear receiver or a non-linear mapping of the transmitted symbols to the constellation space.

A. Channel characterization

In this paper, we have mainly focused on the Additive White Gaussian Noise (AWGN) channels, where each received signal \mathbf{Y}_i is expressed as

$$\mathbf{Y}_i = \sum_{j=1}^K \mathbf{H}_{ij} \mathbf{X}_j + \mathbf{Z}_i \quad \forall i \in [K], \quad (15)$$

where the strength of the channel, $\mathbf{H}_{ij} \in \mathbb{C}^{n \times n}$ is the complex channel coefficient for the link between receiver i and transmitter j , n being the symbol extension in the spatial or temporal dimension, while $\mathbf{Z}_i \in \mathbb{C}^n \sim \mathcal{CN}(0, \sigma^2 \mathbf{I}) \quad \forall i \in [K]$ is the Gaussian noise vector at receiver i . The power constraint on the transmitted symbol is given as $\mathbb{E}[\|\mathbf{X}_i\|^2] \leq 1$.

The channel coefficient \mathbf{H}_{ij} of link ij is represented as $\mathbf{H}_{ij} = \mathbf{R}_{ij} e^{j\theta_{ij}}$ where \mathbf{R}_{ij} and θ_{ij} are the channel gain and phase parameters respectively. Let us now describe these parameters in terms of the channel SNR,

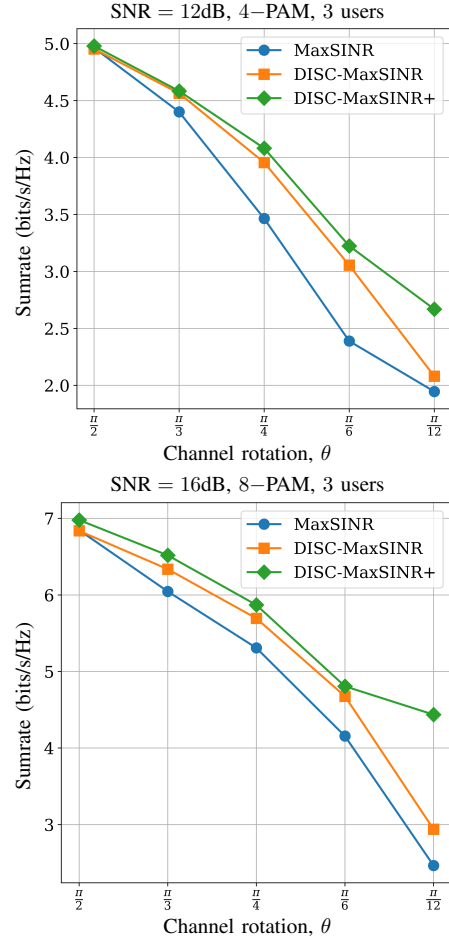


Fig. 5: Comparison of sumrate for $K = 3$ users between MaxSINR (discrete messages with linear receiver), DISC-MaxSINR (discrete messages with ML decoder) and DISC-MaxSINR+ (with neural encoders and power allocation) when $m = 4, 8$ for different SNRs with symmetric channel settings. It can be seen that the DISC-MaxSINR and DISC-MaxSINR+ algorithms improve performance compared to conventional algorithms.

the strength of the interfering signal on the crosslinks (α_{ij}), and the phase difference induced by the channel.

We define the channel SNR as the amount of the additive noise in the direct links. We assume the direct channel links \mathbf{H}_{ii} have a unity channel gain i.e. $R_{ii} = \mathbf{1}_n \quad \forall i \in [K]$ and no phase i.e. $\theta_{ii} = 0 \quad \forall i \in [K]$ where $\mathbf{1}_n$ is a $n \times n$ matrix of ones. We assume all the direct links for all the encoder-decoder pairs have the same channel SNR. Therefore, we can express the noise variance as

$$\text{SNR} = \frac{\|\mathbf{R}_{ii}\|^2}{\sigma^2} := \frac{1}{\sigma^2}, \forall i \in [K]. \quad (16)$$

Next, we define the interference strength parameter α_{ij} as

$$\alpha_{ij} = \frac{\log \text{INR}_{ij}}{\log \text{SNR}},$$

where INR_{ij} can be expressed as $\text{INR}_{ij} = \frac{\|\mathbf{R}_{ij}\|^2}{\sigma^2}$. It signifies the relative strength of the signal in the interfering links relative to the direct link. The value of the parameters in α_{ij} varies from ∞ to $-\infty$. A value of 1 signifies that the strength of the interfering signal from link ij is the same as the desired link i . We can determine the channel gain parameters of the cross-links \mathbf{R}_{ij} , $i \neq j$ in terms of α_{ij} in an element-wise operation given as

$$\mathbf{R}_{ij} = \mathbf{R}_{ii} 10^{0.5 \log \text{SNR} (1 - \alpha_{ij})}. \quad (17)$$

Given the information about α_{ij} , θ_{ij} and σ^2 , we can determine the channel coefficients using (16) and (17).

B. Performance Evaluation

We consider two specific channel settings to evaluate our approach's performance over the conventional method. Firstly, we consider a symmetric channel setting in Fig. 5 where all the non-diagonal channel entries in the channel matrix have the same value. Secondly, we consider the asymmetric channel settings in Fig. 6 and Fig. 7 where the channel entries are randomly generated with a fixed interference strength parameter α_{ij} .

Test setup. The comparisons were carried out with three different simulation setups. The baseline is the conventional MaxSINR algorithm, termed as "MaxSINR", where input messages are discrete, the encoder and the receiver are derived from the algorithm in 1. The second baseline is the "DISC-MaxSINR" algorithm, which has discrete messages, reuses the MaxSINR encoder but uses the ML decoder instead of the linear receiver. The proposed algorithm is the "DISC-MaxSINR+" algorithm, which has discrete messages, uses the neural network-based approach to learn the encoder and the power allocation parameters, and uses the ML decoder. For the test setup, we consider the sumrate is computed from the mutual information between the transmitted and the estimated messages as given in (4) and (5) through the ML decoding rule in (7). The SNRs are chosen to ensure that the interference is neither strong nor weak.

In Fig. 5, we consider the symmetric channels, for which the channel phase θ_{ij} between the i^{th} receiver and

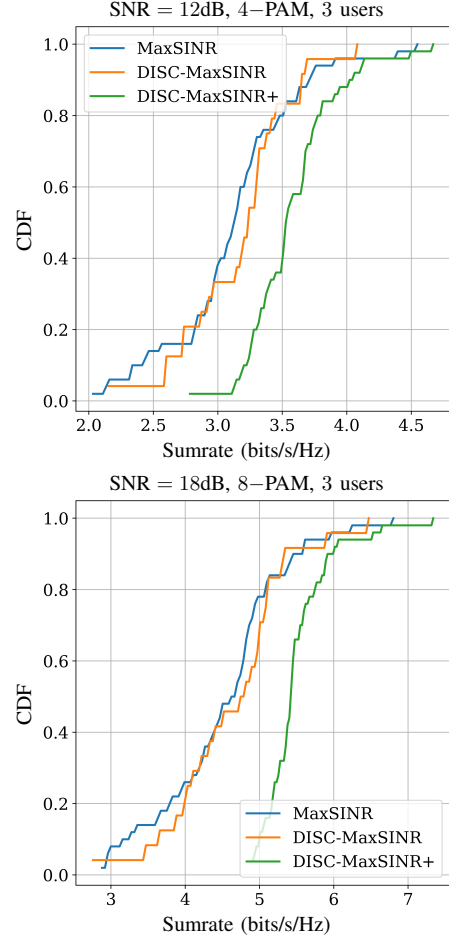


Fig. 6: Comparison of sumrate for $K = 3$ users between MaxSINR, DISC-MaxSINR, and DISC-MaxSINR+ when $m = 4, 8$ for different SNRs with asymmetric channel settings. The comparison shows that retraining the precoding vectors obtained from MaxSINR greatly improves the sumrate performance.

the j^{th} transmitter is set to a constant $\theta_{ij} = \theta$, given by the values on the x -axis of the plot. The angles denote the alignment between the desired channel direction and the channel between the interfering users, i.e., $\pi/12$ is in the same direction as the desired signal. In contrast, an angle of $\pi/2$ is orthogonal to the desired signal. The performance of the DISC-MaxSINR algorithm is better than the MaxSINR algorithm as the ML decoder is able to have non-linear decision boundaries which is better than the linear decoder. The performance of the DISC-MaxSINR+ algorithm is better than both the baselines, especially when the angle between the desired and the interfering channels (x -axis values) is smaller, denoting that the performance of the neural network approach is better when the interfering signals are stronger. This

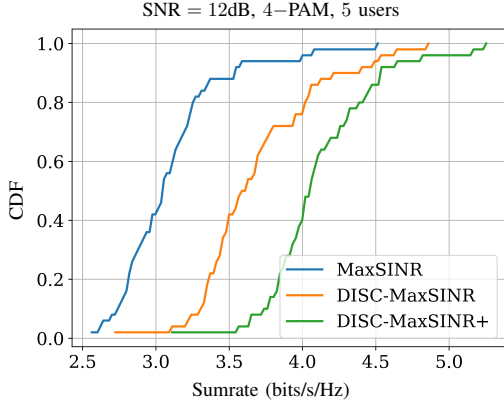


Fig. 7: Comparison of sumrate between MaxSINR, DISC-MaxSINR, and DISC-MaxSINR+ when $m = 4$ and $\text{SNR} = 12\text{dB}$ for asymmetric channel settings. The comparison shows that retraining the precoding vectors obtained from MaxSINR greatly improves the sumrate performance.

is because the neural network approach can find better transmit messages not constrained by uniformly placed constellation points of the MaxSINR algorithm. This enables the transmitted signals from different users to align the interfering signals in an orthogonal direction better than the MaxSINR algorithm.

In Fig. 6, we consider asymmetric channels and show the average performance over 50 asymmetric channel settings where the channel phase values were chosen randomly between $-\pi/2$ and $\pi/2$. We plot the CDF of the obtained sum rate across the three algorithms. The value on the y -axis gives the probability that the sum rate will be statistically below the corresponding value on the x -axis if infinite simulations are run. It shows that more significant improvement is observed for asymmetric channels as the scope of finding a non-linear mapping to avoid multiuser interference is greater.

Furthermore, the performance improvement is more significant when the number of users is increased, as shown in Fig. 7, where we increased the number of users from three to five. Interestingly, the gap between the MaxSINR algorithm and the DISC-MaxSINR algorithm for the symmetric is more significant than the asymmetric channels. In contrast, for the asymmetric channels, the gap is more significant for the DISC-MaxSINR+ algorithm than the DISC-MaxSINR algorithm. This shows that retraining the encoder improves the sumrate, especially when the channels are asymmetric, and finding a suitable linear beam former for the desired signal is difficult.

VII. INTERPRETATION

In the previous sections, we presented the DISC-MaxSINR+ approach to improve the encoder obtained from the MaxSINR algorithm via learning. We showed that the learned DISC-MaxSINR+ algorithm outperforms the baselines DISC-MaxSINR algorithm, which is the MaxSINR algorithm modified for discrete messages, and the MaxSINR algorithm itself. Our evaluations demonstrate a significant improvement over the baseline approach, especially for randomly generated asymmetric channel settings.

In this section, we closely examine the learned constellation to shed light on where the improvement comes from. Furthermore, we conduct an ablation study to understand the importance of pretraining in the performance of the DISC-MaxSINR+ algorithm.

A. Constellation study: DISC-MaxSINR+ vs. DISC-MaxSINR

We investigate the constellation learned in the DISC-MaxSINR algorithm and the DISC-MaxSINR+ algorithm by comparing the orientations of the received samples at each user decoder in relation to the received interfering signals from the other users. This determines if the constellation learned through our approach better aligns the interfering signals orthogonal to our desired signals.

Specifically, in Fig. 8, we consider an asymmetric channel setting with 3-users. The interference strength $\alpha_{ij} = 0.9$ and the channel rotations θ_{ij} selected from the 50 random realizations considered in Fig. 6. The exact values used are provided in the Appendix A. We plot the received samples from each user before they are summed up at the receivers. Mathematically we plot $\mathbf{H}_{ij}\mathbf{X}_j \in \mathbb{R}^2$ for $j = 1, 2, 3$ for the i -th receiver at the i -th column of Fig. 8 for $i = 1, 2, 3$. These received samples are color-coded to show the messages from each user; the circles (blue), squares (orange), and stars (green) correspond to the messages from users 1, 2, 3, respectively. The columns correspond to the individual receivers, while each row of the figures corresponds to the algorithms (top: DISC-MaxSINR, bottom: DISC-MaxSINR+).

In Fig. 8, we observe differences between the two constellations (top vs. bottom) in three major aspects: (1) the *alignment* of the constellation points with respect to other users, (2) the *size* of the constellation given by the number of distinct PAM symbols, and (3) the *shape* of the constellation given by the gap between each of these points. We elaborate further on these aspects below.

1. *Alignment*. Ideally, we would like to see the received samples from the interfering users aligned in a

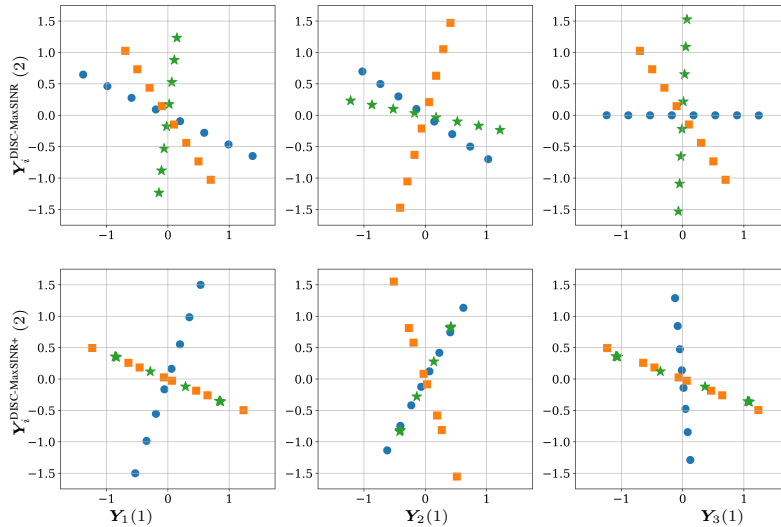


Fig. 8: *Received samples*: The plot shows the received samples at the receiver for the DISC-MaxSINR (top) and DISC-MaxSINR+ (bottom) algorithms for the 3-user interference channel with 8-PAM messages at SNR = 18 dB. The received samples are color-coded (blue circles for messages from user 1, orange squares for messages from user 2, and green stars for messages from user 3).

| Algorithm | User rate (bits/s/Hz) | | | Sumrate (bits/s/Hz) |
|---------------|-----------------------|--------|--------|---------------------|
| | User 1 | User 2 | User 3 | |
| DISC-MaxSINR | 1.04 | 1.71 | 0.91 | 3.66 |
| DISC-MaxSINR+ | 2.59 | 2.16 | 0.71 | 5.45 |
| Improvement | 1.55 | 0.45 | -0.2 | 1.8 |

TABLE II: Study of the median channel: The table shows the user rates and the sumrate for the DISC-MaxSINR and DISC-MaxSINR+ algorithms for the median channel setting (in terms of improvement). The improvement in the sumrate is due to the non-linear mapping of the messages to the constellation space. It can be seen that the neural network can sacrifice the third user’s rate and obtain a low-rate non-uniform constellation for the second user to improve the overall sumrate.

perpendicular direction to the desired user. In Fig. 8, it is evident from the constellation of the first user that DISC-MaxSINR+ is able to better align the desired symbols with respect to the interfering symbols than DISC-MaxSINR. Consequently, the achievable rate of the first user notably improves, a claim supported by the individual user rates presented in TABLE II. Specifically, we observe enhancements in the rates of the first and second users with DISC-MaxSINR+, while the rate of the third user experiences a slight reduction. Nonetheless, the overall sum rate is improved.

2. *Constellation size*. We observe that the DISC-MaxSINR+ algorithm adjusts the size of the constellation for each user, employing a varying number of distinct constellation points. For instance, while DISC-

MaxSINR+ utilizes 8 distinct blue circle points, it employs only 4 distinct green star points. We conjecture that this modification not only improves the rate of the concerned user but also provides an additional dimension to optimize and results in better interference alignment.

3. *Constellation shape*. We observe changes in the shape of the constellation, as indicated by the spacing between constellation points for different users. Specifically, the second user’s constellation points exhibit non-uniform distances between them.

In the following section, we will study the impact of each of these factors on the sumrate.

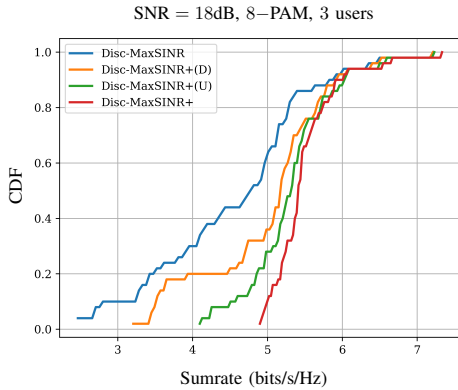


Fig. 9: The plot shows the comparison of the sumrate CDF of different versions of DISC-MaxSINR+ algorithm with the DISC-MaxSINR algorithm for the 3-user interference channel with 8-PAM messages at SNR = 18 dB. DISC-MaxSINR+ (D) represents the DISC-MaxSINR+ algorithm with only the alignment optimized. DISC-MaxSINR+ (U) represents the algorithm with the optimized precoding vectors and the size of the constellation as trainable variables. The gaps between these four plots demonstrate the importance of the learned constellation size, shape, and alignment on the enhanced sumrate.

B. Impact of learned constellation size, shape and alignment on the enhanced sumrate

In this section, we run several ablation studies to investigate the effect of the constellation's size, shape, and alignment on the enhanced sumrate. We implement and compare four algorithms:

- DISC-MaxSINR+ refers to the learned interference algorithm with learned alignment, adjusted constellation size, and optimized non-uniform constellation.
- DISC-MaxSINR+(U): We take the fully learned constellation from DISC-MaxSINR+ algorithm but rearrange the symbol locations such that they are *uniformly* spaced.
- DISC-MaxSINR+(D): We take the fully learned constellation from DISC-MaxSINR+ algorithm but rearrange the symbol locations such that they are *uniformly* spaced and the constellation size is *fixed* and constant (8-PAM) across the users.
- DISC-MaxSINR refers to the non-learning baseline algorithm.

In Fig. 9, we run these four algorithms for the set of 50 channels as in Fig. 6 and plot their sumrate CDF. From these results, we conclude that the enhanced sumrate is influenced by all three key factors: the learned alignment, adaptive constellation size, and non-uniform

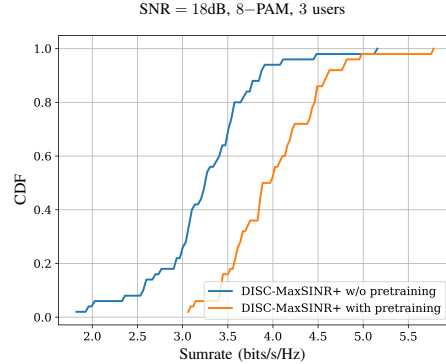


Fig. 10: Power of pretraining: The plot shows the difference in the sumrate if the network is learned for the same amount of time but with and without pretraining. It clearly shows that the pretraining helps in faster convergence and results in higher sumrates.

constellation shape. We also infer that the size of the constellation plays a major role in finding a suitable alignment that helps in interference mitigation. The shape of the constellation also improves the overall sumrate and results in superior performance, and having both these aspects as trainable variables is crucial for the performance of the DISC-MaxSINR+ algorithm.

C. Ablation study: Importance of Pretraining

In this section, we empirically demonstrate that pretraining actually helps in learning a better encoder. In Fig. 10, we consider a series 50 random channels which were trained for the same setting for the same number of epochs but with different initializations. In one case, we consider random initializations, where the precoding vectors were randomly assigned, while in the other case, the precoding vectors were initialized to the vectors obtained from MaxSINR algorithm. It is evident that the pretraining helps in improving the sumrate. The objective function representing the optimization of the encoder to maximize the sum rate is non-convex and the pretraining helps in avoiding local minima.

VIII. CONCLUSION

Theoretical studies of interference alignment have focused largely on high SNR asymptotics (such as degrees of freedom) which lead to beamforming solutions with Gaussian signaling, as embodied in the MaxSINR algorithm. In practical regimes of interest, however, SNR is only moderately high, power control is important, and the size and shape of discrete constellations at each user play a crucial role in the relative alignments of desired and interfering signals. Given the difficulty of analytically finding the optimally aligned

discrete constellations, we investigate the efficacy of deep learning approaches for this task. In particular, the combined utility of MaxSINR solutions and deep neural networks is our focus. Incorporating insights from MaxSINR solutions as domain knowledge to initialize the neural networks, we find faster convergence to novel constellations that offer improved alignments not only in terms of beamforming directions but also in terms of the effective constellation at the receiver, resulting in better sum-rate performance. The optimistic picture from this work paves the way for further studies to distill new design principles for discrete interference alignment.

REFERENCES

- [1] S. Elhoushy, M. Ibrahim, and W. Hamouda, "Cell-free massive mimo: A survey," *IEEE Communications Surveys & Tutorials*, vol. 24, no. 1, pp. 492–523, 2021.
- [2] R. Ahlswede, "The capacity region of a channel with two senders and two receivers," *Ann. Probab.*, vol. 2, no. 5, pp. 805–814, 10 1974. [Online]. Available: <https://doi.org/10.1214/aop/1176996549>
- [3] M. Costa, "On the gaussian interference channel," *IEEE transactions on information theory*, vol. 31, no. 5, pp. 607–615, 1985.
- [4] H. Sato, "The capacity of the gaussian interference channel under strong interference (corresp.)," *IEEE transactions on information theory*, vol. 27, no. 6, pp. 786–788, 1981.
- [5] R. H. Etkin, N. David, and H. Wang, "Gaussian interference channel capacity to within one bit," *IEEE Transactions on information theory*, vol. 54, no. 12, pp. 5534–5562, 2008.
- [6] X. Shang, B. Chen *et al.*, "Two-user gaussian interference channels: An information theoretic point of view," *Foundations and Trends® in Communications and Information Theory*, vol. 10, no. 3, pp. 247–378, 2013.
- [7] V. R. Cadambe and S. A. Jafar, "Interference alignment and degrees of freedom of the k -user interference channel," *IEEE Transactions on Information Theory*, vol. 54, no. 8, pp. 3425–3441, 2008.
- [8] M. A. Maddah-Ali, A. S. Motahari, and A. K. Khandani, "Communication over mimo x channels: Interference alignment, decomposition, and performance analysis," *IEEE Transactions on Information Theory*, vol. 54, no. 8, pp. 3457–3470, 2008.
- [9] V. R. Cadambe, S. A. Jafar, and S. Shamai, "Interference alignment on the deterministic channel and application to fully connected gaussian interference networks," *IEEE Trans. Inf. Theor.*, vol. 55, no. 1, p. 269–274, Jan. 2009. [Online]. Available: <https://doi.org/10.1109/TIT.2008.2008116>
- [10] K. Gomadam, V. R. Cadambe, and S. A. Jafar, "A distributed numerical approach to interference alignment and applications to wireless interference networks," *IEEE Transactions on Information Theory*, vol. 57, no. 6, pp. 3309–3322, 2011.
- [11] C. Geng, N. Naderializadeh, A. S. Avestimehr, and S. A. Jafar, "On the Optimality of Treating Interference as Noise," *IEEE Transactions on Information Theory*, vol. 61, no. 4, pp. 1753–1767, 2015.
- [12] C. Geng, H. Sun, and S. A. Jafar, "Multilevel topological interference management," in *2013 IEEE Information Theory Workshop, ITW 2013*, 2013.
- [13] E. Nachmani, E. Marciano, L. Lugosch, W. J. Gross, D. Burshtein, and Y. Be'ery, "Deep learning methods for improved decoding of linear codes," *IEEE Journal of Selected Topics in Signal Processing*, vol. 12, no. 1, pp. 119–131, 2018.
- [14] T. J. O'Shea, T. Erpek, and T. C. Clancy, "Deep learning based MIMO communications," *CoRR*, vol. abs/1707.07980, 2017.
- [15] E. Nachmani and L. Wolf, "Hyper-graph-network decoders for block codes," in *Advances in Neural Information Processing Systems 32*. Curran Associates, Inc., 2019, pp. 2329–2339.
- [16] H. Ye, G. Y. Li, B. F. Juang, and K. Sivanesan, "Channel agnostic end-to-end learning based communication systems with conditional gan," in *2018 IEEE Globecom Workshops (GC Wkshps)*, Dec 2018, pp. 1–5.
- [17] N. Shlezinger, Y. C. Eldar, N. Farsad, and A. J. Goldsmith, "Viterbinet: Symbol detection using a deep learning based viterbi algorithm," in *2019 IEEE 20th International Workshop on Signal Processing Advances in Wireless Communications (SPAWC)*, July 2019, pp. 1–5.
- [18] A. Elkelesh, M. Ebada, S. Cammerer, and S. t. Brink, "Decoder-tailored polar code design using the genetic algorithm," *IEEE Transactions on Communications*, vol. 67, no. 7, pp. 4521–4534, July 2019.
- [19] H. Kim, Y. Jiang, S. Kannan, S. Oh, and P. Viswanath, "Deepcode: Feedback codes via deep learning," in *Advances in neural information processing systems*, 2018, pp. 9436–9446.
- [20] H. Kim, Y. Jiang, R. Rana, S. Kannan, S. Oh, and P. Viswanath, "Communication algorithms via deep learning," in *International Conference on Learning Representations*, 2018.
- [21] T. Wu, Z. Chen, D. He, L. Qian, Y. Xu, M. Tao, and W. Zhang, "Cddm: Channel denoising diffusion models for wireless communications," in *GLOBECOM 2023-2023 IEEE Global Communications Conference*. IEEE, 2023, pp. 7429–7434.
- [22] H. Du, J. Wang, D. Niyato, J. Kang, Z. Xiong, M. Guizani, and D. I. Kim, "Rethinking wireless communication security in semantic internet of things," *IEEE Wireless Communications*, vol. 30, no. 3, pp. 36–43, 2023.
- [23] Z. Liu, J. Zhang, Z. Liu, H. Du, Z. Wang, D. Niyato, M. Guizani, and B. Ai, "Cell-free xl-mimo meets multi-agent reinforcement learning: Architectures, challenges, and future directions," *IEEE Wireless Communications*, 2024.
- [24] T. O'Shea and J. Hoydis, "An introduction to deep learning for the physical layer," *IEEE Transactions on Cognitive Communications and Networking*, vol. 3, no. 4, pp. 563–575, 2017.
- [25] D. Wu, M. Nekovee, and Y. Wang, "Deep learning-based autoencoder for M-user wireless interference channel physical layer design," *IEEE Access*, vol. 8, no. January, pp. 174 679–174 691, 2020.
- [26] X. Zhang, M. Vaezi, and L. Zheng, "Interference-aware constellation design for z-interference channels with imperfect csi," in *ICC 2023-IEEE International Conference on Communications*. IEEE, 2023, pp. 6385–6390.
- [27] R. K. Mishra, K. Chahine, H. Kim, S. Jafar, and S. Vishwanath, "Distributed interference alignment for k-user interference channels via deep learning," in *2021 IEEE International Symposium on Information Theory (ISIT)*. IEEE, 2021, pp. 2614–2619.
- [28] D. A. Schmidt, C. Shi, R. A. Berry, M. L. Honig, and W. Utschick, "Minimum mean squared error interference alignment," in *2009 Conference Record of the Forty-Third Asilomar Conference on Signals, Systems and Computers*, 2009, pp. 1106–1110.
- [29] S. W. Peters and R. W. Heath, "Interference alignment via alternating minimization," *ICASSP, IEEE International Conference on Acoustics, Speech and Signal Processing - Proceedings*, pp. 2445–2448, 2009.
- [30] Q. Shi, M. Razaviyayn, Z. Q. Luo, and C. He, "An iteratively weighted MMSE approach to distributed sum-utility maximization for a MIMO interfering broadcast channel," *IEEE Transactions on Signal Processing*, vol. 59, no. 9, pp. 4331–4340, 2011.
- [31] S. W. Peters and R. W. Heath, "Cooperative algorithms for MIMO interference channels," *IEEE Transactions on Vehicular Technology*, vol. 60, no. 1, pp. 206–218, 2011.
- [32] D. S. Papailiopoulos and A. G. Dimakis, "Interference alignment as a rank constrained rank minimization," *IEEE Transactions on Signal Processing*, vol. 60, no. 8, pp. 4278–4288, 2012.

APPENDIX

The values for channel rotation θ_{ij} used in plotting the constellation in Fig. 8(Section VII) is given as

$$\begin{bmatrix} 0 & -49.81 & 4.17 \\ 9.13 & 0 & -81.79 \\ -25.07 & -49.84 & 0 \end{bmatrix}$$