

# Multilingual Knowledge Editing with Language-Agnostic Factual Neurons

Xue Zhang<sup>1\*</sup>, Yunlong Liang<sup>1</sup>, Fandong Meng<sup>2</sup>, Songming Zhang<sup>1</sup>,  
Yufeng Chen<sup>1†</sup>, Jinan Xu<sup>1</sup>, Jie Zhou<sup>2</sup>

<sup>1</sup>Beijing Key Lab of Traffic Data Analysis and Mining,  
Beijing Jiaotong University, Beijing, China

<sup>2</sup>Pattern Recognition Center, WeChat AI, Tencent Inc, China

{zhang\_xue, yunlongliang, smzhang22, chenyf, jaxu}@bjtu.edu.cn,  
{fandongmeng, withtomzhou}@tencent.com

## Abstract

Multilingual knowledge editing (MKE) aims to simultaneously revise factual knowledge across multilingual languages within large language models (LLMs). However, most existing MKE methods just adapt existing monolingual editing methods to multilingual scenarios, overlooking the deep semantic connections of the same factual knowledge between different languages, thereby limiting edit performance. To address this issue, we first investigate how LLMs represent multilingual factual knowledge and discover that the same factual knowledge in different languages generally activates a shared set of neurons, which we call language-agnostic factual neurons. These neurons represent the semantic connections between multilingual knowledge and are mainly located in certain layers. Inspired by this finding, we propose a new MKE method by locating and modifying Language-Agnostic Factual Neurons (LAFN) to simultaneously edit multilingual knowledge. Specifically, we first generate a set of paraphrases for each multilingual knowledge to be edited to precisely locate the corresponding language-agnostic factual neurons. Then we optimize the update values for modifying these located neurons to achieve simultaneous modification of the same factual knowledge in multiple languages. Experimental results on Bi-ZsRE and MzsRE benchmarks demonstrate that our method outperforms existing MKE methods and achieves remarkable edit performance, indicating the importance of considering the semantic connections among multilingual knowledge.

## 1 Introduction

Multilingual knowledge editing (MKE) (Wang et al., 2023b) aims to simultaneously rectify factual knowledge across multilingual languages within

\* This work was done during internship at Pattern Recognition Center, WeChat AI, Tencent Inc, China.

† Yufeng Chen is the corresponding author.

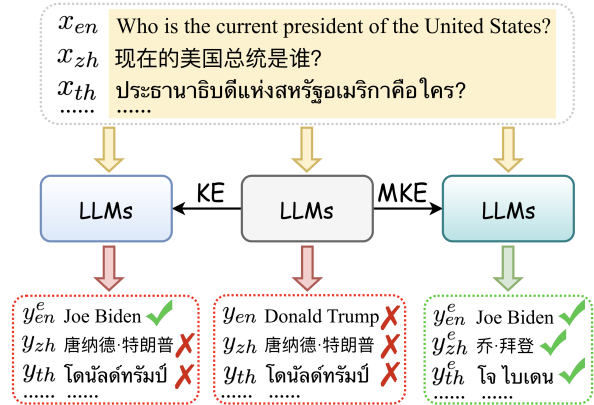


Figure 1: After MKE, the edited LLMs can correctly answer the question in all languages.

large language models (LLMs) without resource-intensive retraining. This process presents more challenges compared to knowledge editing (KE) in the monolingual scenario (Wang et al., 2023a; Benival et al., 2024) since the edited knowledge should be consistent across multiple languages (refer to Figure 1).

Recently, numerous monolingual KE methods have been proposed and exhibit strong edit performance (Mitchell et al., 2022; Meng et al., 2022, 2023; Yao et al., 2023; Li et al., 2024). Based on these advancements, a few MKE methods try to adapt existing monolingual KE methods to MKE scenarios (Xu et al., 2023; Wang et al., 2023b), but overlook the inner connections between multilingual knowledge. For example, LiME (Xu et al., 2023) adapts the monolingual meta-learning edit methods (De Cao et al., 2021; Mitchell et al., 2022) by training language-anisotropic hyper-networks. And ReMaKE (Wang et al., 2023b) directly employs retrieval-augmented generation with multilingual knowledge as context to achieve MKE. Besides the above methods, some powerful monolingual KE methods, such as ROME (Meng et al., 2022), MEMIT (Meng et al., 2023), and PMET

(Li et al., 2024), ignore the shared editing regions when adapted to MKE and thus bring conflicts, limiting edit performance. In a nutshell, existing MKE methods neglect the deep semantic correlations between the same knowledge in different languages, leading to limited improvement.

To address this problem, we first investigate how LLMs represent the same multilingual factual knowledge. We discover that the same factual knowledge in different languages usually activates a shared set of neurons in feed-forward networks (FFNs), which we call language-agnostic factual neurons. These neurons represent the semantic correlations among the same multilingual factual knowledge and are located in certain layers. Inspired by this finding, we propose a new MKE method by locating and modifying Language-Agnostic Factual Neurons (LAFN) to edit multilingual knowledge simultaneously. Specifically, we generate a set of paraphrases for each multilingual knowledge to be edited to precisely locate the corresponding language-agnostic factual neurons. Then we optimize the update values for modifying these located neurons to achieve simultaneous modification of the same multilingual knowledge. Additionally, to avoid the degradation of the edited model’s general abilities due to directly modifying model parameters (Gu et al., 2024), we do not update the model parameters but store the update values of the edited neurons in the cache. When the edited subject appears in the user query, the relative update values will be retrieved and used for model inference.

To evaluate the effectiveness of our method, we conduct experiments on two multilingual benchmarks, Bi-ZsRE (Wang et al., 2023a) and MzsRE (Wang et al., 2023b). Experimental results demonstrate that our method outperforms existing MKE methods in terms of Reliability, Generality, and Locality, indicating the importance of considering the inner semantic connections between multilingual knowledge.

In summary, the major contributions of this paper are as follows<sup>1</sup>:

- We propose a new MKE method by locating and modifying language-agnostic factual neurons that represent the deep semantic connections between multilingual knowledge.
- Experimental results on Bi-ZsRE and MzsRE

benchmarks demonstrate that our method achieves outstanding edit performance, indicating the effectiveness of our method.

- We discover that the language-agnostic factual neurons in the middle layers are crucial for achieving MKE, shedding light on comprehension of the multilingual capabilities of LLMs.

## 2 Methodology

In this section, we first give the definition of MKE (§2.1). Then we investigate how LLMs handle factual knowledge of different languages by identifying and analyzing the associated neurons (§2.2). Subsequently, we introduce our method LAFN for multilingual knowledge editing (§2.3).

### 2.1 Task Definition

MKE aims to simultaneously update multilingual knowledge with new information while preserving previous accurate knowledge within the model. Formally, we denote the original model as  $\mathcal{F}_\theta$  and the multilingual group of an edit descriptor  $(x^e, y^e)$  as  $G = \{\ell \in L | (x_\ell^e, y_\ell^e)\}$ , where  $x_\ell^e$  is the question for the knowledge to be edited in language  $\ell$  and usually contains a subject and a relation, and  $y_\ell^e$  is the new answer of  $x_\ell^e$ . On this basis, MKE will lead to a model  $\mathcal{F}'_\theta$  to correctly answer the edited question  $x_\ell^e$  in each language  $\ell$  and meanwhile maintain the original prediction on other unedited questions:

$$\forall \ell \in L, \mathcal{F}'_\theta(x_\ell) = \begin{cases} y_\ell^e, & x_\ell \in I(x_\ell^e), \\ \mathcal{F}_\theta(x_\ell), & x_\ell \notin I(x_\ell^e), \end{cases} \quad (1)$$

where  $I(x_\ell^e)$  denotes a broad set of inputs with the same semantics as  $x_\ell^e$  (Wang et al., 2023a).

### 2.2 Language-Agnostic Factual Neurons

Existing research has proven that knowledge neurons within FFNs store language-specific knowledge (Tang et al., 2024) and language-independent knowledge (Chen et al., 2023). And manipulating the values of these neurons has the potential to change the model’s behaviors, *e.g.*, changing the language-specific neurons can influence the language of the model’s output (Tang et al., 2024). Inspired by these findings, we first identify neurons associated with multilingual factual knowledge in two multilingual LLMs. Specifically, we separately identify the factual neurons for each language and then take the intersection of neurons for multiple

<sup>1</sup>The code will be released after acceptance.

languages as the language-agnostic factual neurons.

**Identifying Language-Agnostic Factual Neurons.** For most current LLMs (*e.g.*, LLaMA2 (Touvron et al., 2023), Qwen (Bai et al., 2023), and Gemma (Team et al., 2024)), the calculation process of the  $i$ -th FFN layer can be formally described as:

$$h^i = (\text{act\_fn}(\tilde{h}^i W_1^i) \otimes \tilde{h}^i W_2^i) \cdot W_3^i, \quad (2)$$

where  $\tilde{h}^i/h^i$  are the output hidden states of the  $i$ -th attention/FFN layer,  $\text{act\_fn}(\cdot)$  is the activation function, and  $W_1^i$ ,  $W_2^i$ ,  $W_3^i$  are the gate\_proj, up\_proj, down\_proj matrix, respectively. In this process, knowledge neurons usually refer to the activations calculated by the activation function after the first matrix of FFNs, *e.g.*,  $\text{act\_fn}(\tilde{h}^i W_1^i)$ . Then we define that the  $j$ -th neuron in the  $i$ -th FFN layer is activated when  $\text{act\_fn}(\tilde{h}^i W_1^i)_j > 0$  following the previous work (Tang et al., 2024).

For the factual neurons of language  $\ell$ , we use a factual corpus  $C_\ell$  in language  $\ell$  to track the activation of neurons in each FFN layer during the forward propagation. Subsequently, we identify and select the neurons that are activated most frequently to form the final neuron set. For instance, the set of factual neurons in the  $i$ -th FFN layer  $D_\ell^i$  can be identified using  $C_\ell$  as follows:

$$N^i = \{n_j^i | n_j^i = \sum_{c \in C_\ell} \mathbb{1}(\text{act\_fn}(\tilde{h}_c^i W_1^i)_j > 0)\}, \quad (3)$$

$$D_\ell^i = \{j | \frac{n_j^i}{\max(N^i)} > \beta\}, \quad (4)$$

where  $\tilde{h}_c^i$  contains  $\tilde{h}^i$  at each token position in sentence  $c$ ,  $\mathbb{1}(\text{act\_fn}(\tilde{h}_c^i W_1^i)_j > 0)$  equals to 1 when  $\text{act\_fn}(\tilde{h}_c^i W_1^i)_j > 0$  otherwise 0,  $n_j^i$  is the total activation counts of the  $j$ -th neuron in the  $i$ -th FFN layer,  $N^i$  is the set of activation counts of all neurons in  $i$ -th FFN layer when processing  $C_\ell$ , and  $\beta$  is the threshold to control the amount of  $D_\ell^i$ . After obtaining the sets of factual neurons for each language in  $L$ , we calculate the intersection of all these sets in the  $i$ -th FFN layer to extract the shared knowledge among all languages as follows:

$$D^i = D_{\ell_1}^i \cap D_{\ell_2}^i \cap \dots \cap D_{\ell_L}^i, \quad (5)$$

where we call  $D^i$  as the language-agnostic factual neurons in the  $i$ -th layer, implying the semantic connections of multilingual knowledge.

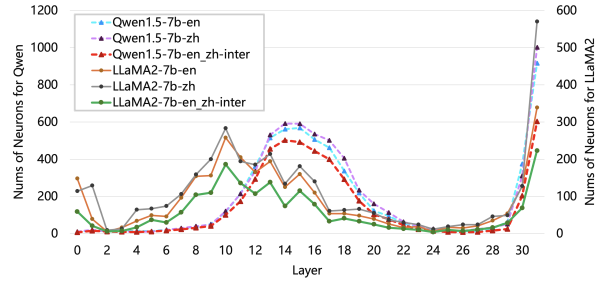


Figure 2: The identified neuron numbers in each layer of Qwen1.5-7b and LLaMA2-7b. “xxx-en” and “xxx-zh” represent the English and Chinese factual neurons respectively. “xxx-inter” refers to the language-agnostic factual neurons shared by English and Chinese.

**Experiments.** We conduct analysis on PARAREL (Elazar et al., 2021), which contains factual knowledge with 34 relations in English. Here, we identify the language-agnostic factual knowledge between English (*en*) and Chinese (*zh*). Firstly, we randomly choose 3000 sentences in each relation from PARAREL to build the factual corpus  $C_{en}$  (around 100k), and then utilize the Google Translate API to translate  $C_{en}$  to  $C_{zh}$ . We select two public multilingual LLMs: LLaMA2-7b (Touvron et al., 2023) and Qwen1.5-7b (Bai et al., 2023). The layer numbers of the two models are both 32. The threshold  $\beta$  in Eq.(4) is set to 0.8. According to Eq.(4) and Eq.(5), we count the language-agnostic factual neurons in each layer for the two LLMs.

**Results.** We plot the identified neuron numbers in each layer of the two models in Figure 2, including the factual neurons of each language and the language-agnostic factual neurons. It shows that the changes of the neuron numbers for the two models exhibit similar trends, with a greater presence of language-agnostic knowledge neurons in the middle layers and the last layer (refer to the green and red lines in Figure 2). The difference is that LLaMA2-7b peaks in quantity at the 10th layer, while Qwen1.5-7b reaches its peak at the 14th layer. And Qwen1.5-7b has more language-agnostic factual neurons than LLaMA2-7b. In conclusion, the experimental results prove the existence of language-agnostic factual neurons, which represent the deep semantic connections between the same factual knowledge in different languages and are mainly located in certain layers. Based on this finding, we design a method by locating and modifying language-agnostic factual neurons to edit multilingual knowledge simultaneously.

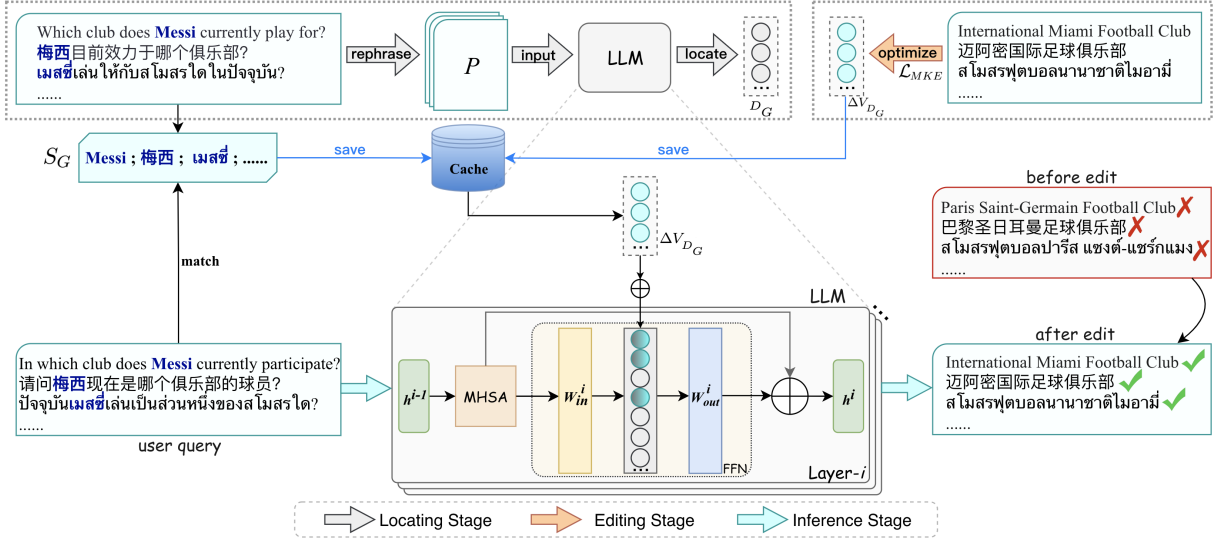


Figure 3: The architecture of LAFN. Given the multilingual knowledge to be edited (including the aligned multilingual subject set  $S_G$ ), we first locate the corresponding language-agnostic neurons  $D_G$ . Then the update values  $\Delta V_{D_G}$  is optimized for modifying  $D_G$ , and  $\{S_G : \Delta V_{D_G}\}$  is stored in cache. When the subject of the user query is matched in the cache, the relative  $\Delta V_{D_G}$  is used for model inference.

### 2.3 LAFN

Figure 3 shows the architecture of our method. We first locate the language-agnostic factual neurons for each group of multilingual edit descriptors, and then we optimize the update values to modify these neurons and store them in the cache. During the inference stage, when the subject of the user query is matched in the cache, the relative update values are utilized for model inference.

During the locating stage, given the multilingual group  $G$  of an edit descriptor  $(x^e, y^e)$  ( $G = \{\ell \in L | (x_\ell^e, y_\ell^e)\}$ ), we first locate the factual neurons  $D_\ell^i$  in  $i$ -th layer for  $(x_\ell^e, y_\ell^e)$  in language  $\ell$  according to Eq.(3) and Eq.(4). Specifically, to more precisely locate the neurons that are semantically related to  $x_\ell^e$ , we use an LLM to generate several paraphrases for  $x_\ell^e$  to build its paraphrase set as the factual corpus  $C_\ell$  in Eq.(3). After obtaining  $D_\ell^i$  in each language  $\ell$ , we calculate the language-agnostic factual neuron set  $D_G^i$  of  $G$  in  $i$ -th layer following Eq.(5).

During the editing stage, given one multilingual edit description group  $G$  and its located language-agnostic factual neuron set  $D_G$ , we aim to modify the values of  $D_G$  to edit knowledge in  $G$  simultaneously. Following the settings of MEMIT (Meng et al., 2023) and PMET (Li et al., 2024), we modify the values  $V_{D_G}$  of  $D_G$  at the last token position of the subject in the question  $x_\ell^e$ . As for subjects, we obtain the corresponding aligned multilingual subject set  $S_G$  from  $G$  (refer to  $S_G$  in Figure 3). Then we will optimize the update values  $\Delta V_{D_G}$  for

adding to  $V_{D_G}$  to achieve MKE. That is, the model should generate the corresponding new answer  $y_\ell^e$  by adding the  $\Delta V_{D_G}$ :

$$\mathcal{F}_{(\theta, V_{D_G} + \Delta V_{D_G})}(x_\ell^e) = y_\ell^e \quad (6)$$

To this end, we calculate the  $\mathcal{L}_{target}$  to optimize  $\Delta V_{D_G}$ :

$$\mathcal{L}_{target} = \frac{1}{|L|M} \sum_{\ell \in L} \sum_{m=1}^M -\log P_{\mathcal{F}'_\theta}(y_\ell^e | p_\ell^m + x_\ell^e), \quad (7)$$

where  $\ell \in L$ ,  $\mathcal{F}'_\theta = \mathcal{F}_{(\theta, V_{D_G} + \Delta V_{D_G})}$ , and  $p_\ell^m$  represents a randomly generated prefix to improve generalization (Meng et al., 2023) on  $I(x_\ell^e)$ , and  $M$  is the total number of prefixes.

Additionally, to ensure that the knowledge under the other relations of  $S_G$  is not affected, we also use  $\mathcal{L}_{kl}$  to optimize  $\Delta V_{D_G}$  similar to MEMIT (Meng et al., 2023) and PMET (Li et al., 2024):

$$\mathcal{L}_{kl} = \frac{1}{|L|} \sum_{\ell \in L} \text{KL}[P_{\mathcal{F}'_\theta}(y | q_\ell) || P_{\mathcal{F}'_\theta}(y | q_\ell)], \quad (8)$$

where  $q_\ell$  has the format of “ $\{s_\ell\}$  is a” in language  $\ell$ ,  $s_\ell$  is the subject in  $x_\ell^e$  and  $s_\ell \in S_G$ , and  $\text{KL}[\cdot || \cdot]$  is the Kullback-Leibler divergence (Kullback and Leibler, 1951).

In the end, the overall optimized objective  $\mathcal{L}_{MKE}$  consists of the above two loss functions:

$$\mathcal{L}_{MKE} = \lambda_1 \mathcal{L}_{target} + \lambda_2 \mathcal{L}_{kl}, \quad (9)$$



where  $\lambda_1$  and  $\lambda_2$  are hyperparameters to control the weight of two loss functions.

After obtaining  $\Delta V_{D_G}$ , we store  $\{S_G : \Delta V_{D_G}\}$  in the cache to avoid directly modifying the model parameters. When the subject  $s_\ell$  of the current query  $x_\ell$  is matched<sup>2</sup> in  $S_G$ , we retrieve the corresponding  $\Delta V_{D_G}$  for model inference as follows:

$$\mathcal{F}'_{\theta}(x_\ell) = \begin{cases} \mathcal{F}_{(\theta, V_{D_G} + \Delta V_{D_G})}(x_\ell), & s_\ell \in S_G. \\ \mathcal{F}_{\theta}(x_\ell), & s_\ell \notin S_G. \end{cases} \quad (10)$$

## 3 Experiments

### 3.1 Experimental Settings

**Datasets and Metrics.** We conduct our experiments on Bi-ZsRE (Wang et al., 2023a) and MzsRE (Wang et al., 2023b). Bi-ZsRE covers English (*en*) and Chinese (*zh*) languages, and each language contains 10000/3000/1037 samples for the train/dev/test set. MzsRE covers 12 languages: English (*en*), Chinese (*zh*), Czech (*cz*), German (*de*), Dutch (*nl*), Spanish (*es*), French (*fr*), Portuguese (*pt*), Russian (*ru*), Thai (*th*), Turkish (*tr*), and Vietnamese (*vi*). And each language consists of 10000/743 examples for the train/test set. Following Wang et al. (2023a), we calculate the F1 value of Reliability, Generality, Locality, and Portability as our evaluation metrics.

**Backbones.** In our experiments, we select two strong multilingual models LLaMA2-7b (Touvron et al., 2023) and Qwen1.5-7b (Bai et al., 2023) as backbones to conduct MKE. LLaMA2-7b is a widely used backbone known for its excellent universal capabilities. Qwen1.5-7b exhibits a strong foundational capability and demonstrates superior performance specifically in Chinese<sup>3</sup>.

**Implementation Details.** When locating neurons in §2.3, we utilize the Qwen1.5-14b-Chat<sup>4</sup> model to generate 30 paraphrases for  $x_\ell^e$ . The detailed instruction is listed in Appendix A. The threshold  $\beta$  in Eq.(4) is set to 0.1. The length of each randomly generated prefix  $p_\ell^m$  in Eq.(7) is set to 5, and the total amount  $M$  of prefixes for each language is set to 4. Additionally,  $\lambda_1$  is set to 1, and  $\lambda_2$  is set to 0.0625. We use the Adam optimizer (Kingma and Ba, 2017) with a learning rate of 5e-1 during training. For layers to be modified, we set (10, 11, 12) for LLaMA2-7b and (14, 15, 16) for Qwen1.5-7b, respectively.

<sup>2</sup>Here, we use the exact-match method.

<sup>3</sup><https://qwenlm.github.io/zh/blog/qwen1.5/>

<sup>4</sup><https://huggingface.co/Qwen/Qwen1.5-14B-Chat>

### 3.2 Contrast Methods

**Fine-tuning Method.** We directly use LoRA (Hu et al., 2021) to conduct parameter-efficient tuning for the original model, namely LoRA-FT.

**MKE Method<sup>5</sup>.** ReMaKE (Wang et al., 2023b) retrieves related knowledge from a multilingual knowledge base as the context to instruct the model. Here, for the language to be tested, we separately retrieve one question with the answer from each other language as the context.

**Adaptations of KE methods.** We mainly adapt some Locate-then-Edit methods to MKE. For example, ROME (Meng et al., 2022) modifies the output matrix of one FFN layer located following causal tracing analysis. MEMIT (Meng et al., 2023) updates the output matrix of multiple layers simultaneously for supporting batch editing. PMET (Li et al., 2024) conducts more precise editing based on MEMIT. We extend ROME, MEMIT, and PMET to M-ROME, M-MEMIT, and M-PMET to edit multilingual knowledge simultaneously. Specifically, since the knowledge to be edited of different languages corresponds to different answers, we train the new value for updating FFNs separately for each language. And we estimate the previously memorized keys of FFNs for each language.

### 3.3 Experimental Results

**Results on Bi-ZsRE.** Table 1 shows the results on Bi-ZsRE using LLaMA2-7b and Qwen1.5-7b as backbones. From the “*avg*” column, the average results of all metrics demonstrate that our method outperforms other baselines significantly, indicating the importance of considering the deep semantic connections between multilingual knowledge. In terms of Reliability and Generality, our method exceeds other methods to a large extent. This superiority indicates that updating the language-agnostic factual neurons can edit the multilingual knowledge (needs to be edited) more effectively and generalize better on the equivalent questions that have the same semantics as the edited questions. LoRA-FT and ReMaKe perform poorly, while M-ROME, M-MEMIT, and M-PMET perform moderately among all methods. Specifically, M-ROME is less effective than M-MEMIT and M-PMET because it only updates a single layer. M-MEMIT and M-PMET have similar performances but are both inferior to

<sup>5</sup>The code of MPN is not open-source, and LiME is based on mBERT without exploring the generation task, so we do not compare these two methods.

| Methods                                 | Test on en   |              |               |              | Test on zh   |              |               |              | avg          |
|---|--------------|--------------|---------------|--------------|--------------|--------------|---------------|--------------|--------------|
|   | Reliability  | Generality   | Locality      | Portability  | Reliability  | Generality   | Locality      | Portability  |              |
| <b>LLaMA2-7b (Edit on en &amp; zh)</b>  |              |              |               |              |              |              |               |              |              |
| LoRA-FT                                 | 21.90        | 21.15        | 81.90         | 27.07        | 15.30        | 15.43        | 75.02         | 13.05        | 33.85        |
| ReMaKe                                  | 32.90        | 33.78        | <b>100.00</b> | 28.35        | 31.78        | 31.66        | 99.94         | <b>15.77</b> | 46.77        |
| M-ROME                                  | 69.48        | 64.42        | 96.19         | 26.27        | 37.94        | 35.61        | 91.41         | 10.38        | 53.96        |
| M-MEMIT                                 | 84.73        | 74.13        | 98.70         | 28.65        | 41.58        | 38.18        | 97.63         | 11.38        | 59.37        |
| M-PMET                                  | 85.40        | 77.02        | 98.31         | 29.30        | 41.25        | 37.80        | 97.60         | 10.88        | 59.70        |
| LAFN (Ours)                             | <b>98.66</b> | <b>93.80</b> | <b>100.00</b> | <b>30.93</b> | <b>56.22</b> | <b>53.42</b> | <b>100.00</b> | 12.72        | <b>68.22</b> |
| <b>Qwen1.5-7b (Edit on en &amp; zh)</b> |              |              |               |              |              |              |               |              |              |
| LoRA-FT                                 | 20.31        | 20.50        | 84.04         | 24.91        | 32.95        | 32.59        | 88.38         | 33.53        | 42.15        |
| ReMaKe                                  | 46.20        | 46.41        | <b>100.00</b> | 29.79        | 66.04        | 67.07        | <b>100.00</b> | <b>43.98</b> | 62.44        |
| M-ROME                                  | 88.37        | 77.05        | 95.66         | 31.02        | 93.68        | 86.01        | 95.36         | 37.99        | 75.64        |
| M-MEMIT                                 | 94.36        | 88.27        | 95.72         | <b>31.13</b> | 96.80        | 92.96        | 96.63         | 37.03        | 79.11        |
| M-PMET                                  | 95.59        | 88.46        | 95.39         | 30.66        | 96.66        | 93.37        | 96.12         | 37.97        | 79.28        |
| LAFN (Ours)                             | <b>99.27</b> | <b>94.13</b> | <b>100.00</b> | 28.20        | <b>99.86</b> | <b>95.08</b> | <b>100.00</b> | 36.16        | <b>81.59</b> |

Table 1: The F1 results on Bi-ZsRE using LLaMA2-7b and Qwen1.5-7b as backbones. Results highlighted in **bold** represent the best results. “*avg*” denotes the average value of all metrics in both two languages.

our method, demonstrating that the simple adaptations of these methods to MKE are less effective. As for Locality, both our method and ReMaKe achieve the “100.00” value since the two methods do not modify the parameters of the original model during the editing process, not influencing previously learned knowledge. While the other methods modify the model parameters and result in lower Locality scores. Among them, LoRA-FT dramatically modifies the model, scoring the lowest.

Portability, as a more difficult metric, measures whether the edited model can reason based on the edited knowledge via a portability question (Yao et al., 2023). The corresponding results show that all methods underperform on this metric. Our method achieves the best result on the English test set when editing LLaMA2-7b, and M-MEMIT performs best on the English test set when editing Qwen1.5-7b. ReMaKe achieves the best results on the Chinese test set since the longer context improves the reasoning ability of LLMs. However, there is still substantial room for all methods to enhance the reasoning ability based on edited knowledge. Moreover, we observe that Qwen1.5-7b exhibits notably superior edit performance in Chinese compared to LLaMA2-7b, indicating that the inherent language capabilities of a model have a crucial impact on its edit performance.

**Results on MzsRE.** As for the more challenging scenarios, the average results of 12 languages on MzsRE are reported in Table 2 (using LLaMA2-7b as the backbone). The results show that our method obtains the best overall performance, proving the effectiveness of updating the language-agnostic fac-

| Methods     | Reliability  | Generality   | Locality      | Portability  | avg          |
|-------------|--------------|--------------|---------------|--------------|--------------|
| LoRA-FT     | 24.03        | 23.94        | 64.74         | 22.64        | 33.84        |
| ReMaKe      | 41.86        | 42.37        | <b>100.00</b> | <b>26.36</b> | 52.65        |
| M-ROME      | 32.96        | 32.20        | 62.40         | 11.94        | 34.87        |
| M-MEMIT     | 76.51        | 70.24        | 93.26         | 23.14        | 65.79        |
| M-PMET      | 72.79        | 69.10        | 93.32         | 22.51        | 64.43        |
| LAFN (Ours) | <b>85.79</b> | <b>80.75</b> | <b>100.00</b> | 22.47        | <b>72.25</b> |

Table 2: The average F1 results of 12 languages on MzsRE using LLaMA2-7b as the backbone. Results highlighted in **bold** represent the best results. “*avg*” denotes the average value of all metrics in 12 languages.

tual neurons. Specifically, LAFN surpasses other methods in terms of Reliability, Generality, and Locality by a large margin. Additionally, “M-ROME” performs much worse in 12 languages than in just two languages, demonstrating that this method struggles to support simultaneous editing of more language knowledge due to the limited edit region. Detailed results of each language are listed in Table 6 of Appendix B.

## 4 Analysis

In §4.1, we initially analyze the performance under different layer settings. Then we compare different locating strategies to prove that using paraphrases during the locating stage can improve the edit performance (§4.2). Subsequently, we investigate the impact of our method on the unedited knowledge of the edited subjects (§4.3).

### 4.1 Different Layer Settings

In this section, we explore how editing performance changes when editing different layers. Figure 2 in §2.2 shows that the language-agnostic factual neu-

| A Single Layer | avg          | Multiple Layers | avg          |
|----------------|--------------|-----------------|--------------|
| 0              | 42.23        | 2-10            | 65.73        |
| 2              | 57.91        | 10-31           | 65.53        |
| 10             | <b>65.38</b> | 10-11           | 67.81        |
| 13             | 64.95        | 10-11-12        | <b>68.22</b> |
| 24             | 57.73        | 10-11-12-13     | 67.92        |
| 31             | 36.98        | 10-11-12-13-31  | 67.67        |

Table 3: The results of different layer settings on BiZsRE using LLaMA2-7b as the backbone.

rons are mostly in some middle layers and the last layer of all FFNs. To investigate the correlation between edit performance and edited layers, we conduct our method in different layer settings according to the number of language-agnostic factual neurons, including a single layer and multiple layers. The corresponding results reported in Table 3 show that in the single-layer setting, the edit performance achieves best in the 10th layer and worst in the last layer (31th). Although the last layer also has numerous language-agnostic factual neurons, we conjecture that these neurons are directly related to the final outputs, and thus a single update vector is difficult to fulfill answers in all languages. Moreover, we simultaneously edit multiple layers based on the 10th layer, and the results show that editing multiple layers can further improve edit performance, with the best performance observed in (10, 11, 12) layers. In short, these results suggest that language-agnostic factual neurons in the middle layers are crucial for achieving MKE.

## 4.2 Different Locating Strategies

To verify the effectiveness of using paraphrases during the locating stage, we compare three different locating strategies with the original LAFN: (1) (no-PGs) not using paraphrases to assist in locating neurons, *i.e.*, only using a single sentence to locate neurons; (2) (all) modifying all neurons of the same layers as LAFN without locating concrete knowledge-related neurons; (3) (random) randomly selecting the same number of neurons in the same layers as LAFN to modify. The results listed in Table 4 show that the performance of the three settings declines compared to the original LAFN, particularly regarding Generality and Portability. Although the results of Reliability with “no-PGs” and “all” have a slight improvement, the results of Generality and Portability decline obviously due to the modified neurons being too limited or too broad. In the “random” setting, the results of all

| Methods     | Reliability    | Generality   | Portability  | avg          |
|-------------|----------------|--------------|--------------|--------------|
| LAFN (Ours) | 77.44          | <b>73.61</b> | <b>21.83</b> | <b>68.22</b> |
| (no-PGs)    | <b>77.61</b> ↑ | 73.35 ↓      | 21.54 ↓      | 68.12 ↓      |
| (all)       | 77.47 ↑        | 73.55 ↓      | 21.69 ↓      | 68.18 ↓      |
| (random)    | 77.42 ↓        | 69.99 ↓      | 21.16 ↓      | 67.14 ↓      |

Table 4: The results of different locating strategies on BiZsRE using LLaMA2-7b as the backbone. The **Locality** scores are all 100 for these settings and thus not listed. “**avg**” averages the scores of these 4 metrics.

| Methods     | Test on en   | Test on zh   | avg          |
|-------------|--------------|--------------|--------------|
| M-ROME      | 92.91        | 96.50        | 94.71        |
| M-MEMIT     | 94.23        | 97.33        | 95.78        |
| M-PMET      | 93.81        | 97.07        | 95.44        |
| LAFN (Ours) | <b>94.80</b> | <b>98.19</b> | <b>96.50</b> |

Table 5: The F1 scores of Locality-Hard based on BiZsRE using LLaMA2-7b as the backbone.

metrics have notably decreased compared to the original LAFN. To sum up, these results prove that using paraphrases during the locating stage can enhance the located neurons more semantically relevant to the multilingual knowledge to be edited, thus improving the edit performance.

## 4.3 Impact on Unedited Knowledge of the Edited Subjects

**Locality-Hard.** During inference, we directly add the corresponding update values to the last token position of the subject when the current subject is matched in the cache. This process may have a side effect on the unedited knowledge related to the edited subjects (*e.g.*, knowledge with the same subject as the edited knowledge but different relations). Therefore, we investigate whether our method harms this type of knowledge. Specifically, we collect some extra knowledge to build a more challenging test set, which has the same subjects as each edited example but different relations (please refer to details in Appendix C). Then we calculate the Locality metric on this test set and denote it as Locality-Hard. The results in Table 7 show that our method achieves the highest score of Locality-Hard compared to other methods. These results reflect less impact of our method on the unedited knowledge of the edited subjects, and also indicate that the modified neurons by our method are strongly related to the edited knowledge.

**Case Study.** To investigate the language-agnostic factual neurons more clearly, we visualize the differences between the neurons located by different knowledge in the 10th FFN layer (as shown

in Figure 4). We list the selected knowledge in Table 7 of Appendix D. Specifically, we first locate the set of language-agnostic factual neurons  $D$  in the 10th FFN layer for each instance according to Eq.(5) and calculate the difference  $dif$  between two sets  $D_a$  and  $D_b$  following  $dif = 1 - (\frac{|D_a \cap D_b|}{|D_a|} + \frac{|D_a \cap D_b|}{|D_b|})/2$ . And  $dif = 0$  represents  $D_a = D_b$ , with the darkest color in Figure 4.  $dif = 1$  represents  $D_a \cap D_b = \emptyset$  and the corresponding color is lightest. From Figure 4, we can observe several phenomena: (1) Instances of the same subject with the same relation have the smallest differences between their located neurons, which have the darkest color (refer to the region of the orange box). (2) Instances of the same subject but different relations have a small degree of differences between the located neurons, and the color is also relatively dark (refer to the region of the blue box). (3) Instances of different subjects have large differences between the located neurons, and the color is much lighter (refer to the region of the pink box). In summary, these differences in Figure 4 indicate that the neurons modified by our method are highly associated with the edited knowledge, bringing less impact on other knowledge.

## 5 Related Work

**Multilingual Knowledge Editing.** Existing MKE methods mostly adapt the monolingual KE methods to multilingual scenarios, overlooking the connections of multilingual knowledge. For example, LiME (Xu et al., 2023) proposes an editing framework using the parallel corpus to train hyper-networks, adapting the monolingual meta-learning edit methods to the cross-lingual scenario, such as KE (De Cao et al., 2021) and MEND (Mitchell et al., 2022). ReMaKE (Wang et al., 2023b) retrieves the multilingual aligned knowledge from a multilingual knowledge base as context to achieve MKE. Additionally, MPN (Si et al., 2024) trains multilingual patch neurons to store multilingual knowledge following T-Patcher (Huang et al., 2023), which only applies to classification tasks. By contrast, our method first locates the language-agnostic factual neurons using the knowledge to be edited and then modifies them, which considers the deep connections of multilingual knowledge and is more intuitive.

**Multilingual Knowledge Analysis.** Analyzing the multilingual capabilities of language models is always a research hotspot (Pires et al., 2019;

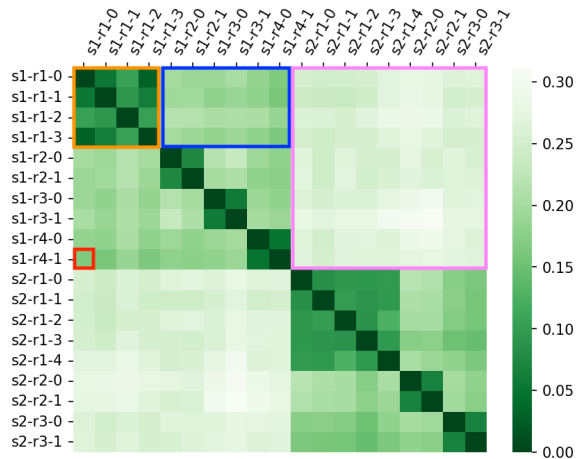


Figure 4: The differences between the language-agnostic factual neurons located by different knowledge in the 10th FFN layer. “s1” and “s2” represent two subject groups. “r1/2/3/4” are different relations under each subject. Each small square (refer to the red box) represents the difference  $dif$  between the two neuron sets, and the darker the color, the smaller the difference between the two sets.

Chai et al., 2022; Bhattacharya and Bojar, 2023; Kojima et al., 2024; Zhao et al., 2024), especially exploring the relationship between model architecture and multilingual capabilities. Tang et al. (2024) indicate that LLMs’ proficiency in processing a particular language is predominantly due to a small subset of neurons. Similar to our work, Chen et al. (2023) discover the language-independent knowledge neurons of mBERT and mGPT, which store knowledge in a form that transcends language, but ignores how to control neurons to achieve desired outputs. Differently, we first investigate the language-agnostic knowledge neurons related to specific fact knowledge in LLMs and then modify them to achieve multilingual knowledge editing.

## 6 Conclusion

In this work, we propose a new method LAFN to conduct multilingual knowledge editing by locating and modifying language-agnostic factual neurons. The experimental results on two benchmarks demonstrate our method outperforms existing MKE methods, indicating the effectiveness of our method and the importance of considering the semantic connections between multilingual knowledge. Furthermore, we find that language-agnostic factual neurons in the middle layers are crucial for MKE, which can provide insights into understanding the multilingual capabilities of LLMs.



## Limitations

In our approach, it is necessary to provide the aligned multilingual knowledge to be edited and their corresponding multilingual subjects, which is directly available in both Bi-ZsRE and MzsRE datasets. However, for other datasets that do not contain this information, we first need to preprocess the data to support our method. For example, if there is no corresponding multilingual data available, using translation API can translate the existing knowledge to be edited to other languages. If the corresponding subjects are not annotated, existing LLMs can be utilized to identify the aligned multilingual subjects in the sentences of each language. These preprocessing steps can be easily implemented by calling existing tools. Moreover, the current method for determining whether a subject exists in the cache adopts the exact-match approach, which is too strict. We will optimize it to a fuzzy matching method in future work to enhance the performance in practical application scenarios.

## References

- Jinze Bai, Shuai Bai, Yunfei Chu, Zeyu Cui, Kai Dang, Xiaodong Deng, Yang Fan, Wenbin Ge, Yu Han, Fei Huang, Binyuan Hui, Luo Ji, Mei Li, Junyang Lin, Runji Lin, Dayiheng Liu, Gao Liu, Chengqiang Lu, Keming Lu, Jianxin Ma, Rui Men, Xingzhang Ren, Xuancheng Ren, Chuanqi Tan, Sinan Tan, Jianhong Tu, Peng Wang, Shijie Wang, Wei Wang, Sheng-guang Wu, Benfeng Xu, Jin Xu, An Yang, Hao Yang, Jian Yang, Shusheng Yang, Yang Yao, Bowen Yu, Hongyi Yuan, Zheng Yuan, Jianwei Zhang, Xingxuan Zhang, Yichang Zhang, Zhenru Zhang, Chang Zhou, Jingren Zhou, Xiaohuan Zhou, and Tianhang Zhu. 2023. Qwen technical report. *arXiv preprint arXiv:2309.16609*.
- Himanshu Beniwal, Kowsik D, and Mayank Singh. 2024. *Cross-lingual editing in multilingual language models*. In *Findings of the Association for Computational Linguistics: EACL 2024*, pages 2078–2128, St. Julian’s, Malta. Association for Computational Linguistics.
- Sunit Bhattacharya and Ondřej Bojar. 2023. *Unveiling multilinguality in transformer models: Exploring language specificity in feed-forward networks*. In *Proceedings of the 6th BlackboxNLP Workshop: Analyzing and Interpreting Neural Networks for NLP*, pages 120–126, Singapore. Association for Computational Linguistics.
- Yuan Chai, Yaobo Liang, and Nan Duan. 2022. *Cross-lingual ability of multilingual masked language models: A study of language structure*. In *Proceedings of the 60th Annual Meeting of the Association for Computational Linguistics (Volume 1: Long Papers)*, pages 4702–4712, Dublin, Ireland. Association for Computational Linguistics.
- Yuheng Chen, Pengfei Cao, Yubo Chen, Kang Liu, and Jun Zhao. 2023. *Journey to the center of the knowledge neurons: Discoveries of language-independent knowledge neurons and degenerate knowledge neurons*. *Preprint*, arXiv:2308.13198.
- Nicola De Cao, Wilker Aziz, and Ivan Titov. 2021. *Editing factual knowledge in language models*. In *Proceedings of the 2021 Conference on Empirical Methods in Natural Language Processing*, pages 6491–6506, Online and Punta Cana, Dominican Republic. Association for Computational Linguistics.
- Yanai Elazar, Nora Kassner, Shauli Ravfogel, Abhilasha Ravichander, Eduard Hovy, Hinrich Schütze, and Yoav Goldberg. 2021. *Measuring and improving consistency in pretrained language models*. *Preprint*, arXiv:2102.01017.
- Jia-Chen Gu, Hao-Xiang Xu, Jun-Yu Ma, Pan Lu, Zhen-Hua Ling, Kai-Wei Chang, and Nanyun Peng. 2024. *Model editing can hurt general abilities of large language models*. *Preprint*, arXiv:2401.04700.
- Edward J. Hu, Yelong Shen, Phillip Wallis, Zeyuan Allen-Zhu, Yuanzhi Li, Shean Wang, Lu Wang, and Weizhu Chen. 2021. *Lora: Low-rank adaptation of large language models*. *Preprint*, arXiv:2106.09685.
- Zeyu Huang, Yikang Shen, Xiaofeng Zhang, Jie Zhou, Wenge Rong, and Zhang Xiong. 2023. *Transformer-patcher: One mistake worth one neuron*. In *The Eleventh International Conference on Learning Representations*.
- Diederik P. Kingma and Jimmy Ba. 2017. *Adam: A method for stochastic optimization*. *Preprint*, arXiv:1412.6980.
- Takeshi Kojima, Itsuki Okimura, Yusuke Iwasawa, Hitomi Yanaka, and Yutaka Matsuo. 2024. *On the multilingual ability of decoder-based pre-trained language models: Finding and controlling language-specific neurons*. *Preprint*, arXiv:2404.02431.
- S. Kullback and R. A. Leibler. 1951. *On Information and Sufficiency*. *The Annals of Mathematical Statistics*, 22(1):79 – 86.
- Xiaopeng Li, Shasha Li, Shezheng Song, Jing Yang, Jun Ma, and Jie Yu. 2024. *Pmet: Precise model editing in a transformer*. *Preprint*, arXiv:2308.08742.
- Kevin Meng, David Bau, Alex Andonian, and Yonatan Belinkov. 2022. *Locating and editing factual associations in gpt*. In *Advances in Neural Information Processing Systems*, volume 35, pages 17359–17372. Curran Associates, Inc.
- Kevin Meng, Arnab Sen Sharma, Alex J Andonian, Yonatan Belinkov, and David Bau. 2023. *Mass-editing memory in a transformer*. In *The Eleventh*

*International Conference on Learning Representations*.

Eric Mitchell, Charles Lin, Antoine Bosselut, Chelsea Finn, and Christopher D Manning. 2022. [Fast model editing at scale](#). In *International Conference on Learning Representations*.

Telmo Pires, Eva Schlinger, and Dan Garrette. 2019. [How multilingual is multilingual BERT?](#) In *Proceedings of the 57th Annual Meeting of the Association for Computational Linguistics*, pages 4996–5001, Florence, Italy. Association for Computational Linguistics.

Nianwen Si, Hao Zhang, and Weiqiang Zhang. 2024. [Mpn: Leveraging multilingual patch neuron for cross-lingual model editing](#). *Preprint*, arXiv:2401.03190.

Tianyi Tang, Wenyang Luo, Haoyang Huang, Dongdong Zhang, Xiaolei Wang, Xin Zhao, Furu Wei, and Ji-Rong Wen. 2024. [Language-specific neurons: The key to multilingual capabilities in large language models](#). *Preprint*, arXiv:2402.16438.

Gemma Team, Thomas Mesnard, Cassidy Hardin, Robert Dadashi, Surya Bhupatiraju, Shreya Pathak, Laurent Sifre, Morgane Rivière, Mihir Sanjay Kale, Juliette Love, Pouya Tafti, Léonard Hussenot, Pier Giuseppe Sessa, Aakanksha Chowdhery, Adam Roberts, Aditya Barua, Alex Botev, Alex Castro-Ros, Ambrose Slone, Amélie Héliou, Andrea Tacchetti, Anna Bulanova, Antonia Paterson, Beth Tsai, Bobak Shahriari, Charline Le Lan, Christopher A. Choquette-Choo, Clément Crepy, Daniel Cer, Daphne Ippolito, David Reid, Elena Buchatskaya, Eric Ni, Eric Noland, Geng Yan, George Tucker, George-Christian Muraru, Grigory Rozhdestvenskiy, Henryk Michalewski, Ian Tenney, Ivan Grishchenko, Jacob Austin, James Keeling, Jane Labanowski, Jean-Baptiste Lespiau, Jeff Stanway, Jenny Brennan, Jeremy Chen, Johan Ferret, Justin Chiu, Justin Mao-Jones, Katherine Lee, Kathy Yu, Katie Millican, Lars Lowe Sjoesund, Lisa Lee, Lucas Dixon, Machel Reid, Maciej Mikula, Mateo Wirth, Michael Sharman, Nikolai Chinaev, Nithum Thain, Olivier Bachem, Oscar Chang, Oscar Wahltinez, Paige Bailey, Paul Michel, Petko Yotov, Rahma Chaabouni, Ramona Comanescu, Reena Jana, Rohan Anil, Ross McIlroy, Ruibo Liu, Ryan Mullins, Samuel L Smith, Sebastian Borgeaud, Sertan Girgin, Sholto Douglas, Shree Pandya, Siamak Shakeri, Soham De, Ted Klimenko, Tom Hennigan, Vlad Feinberg, Wojciech Stokowiec, Yu hui Chen, Zafarali Ahmed, Zhitao Gong, Tris Warkentin, Ludovic Peran, Minh Giang, Clément Farabet, Oriol Vinyals, Jeff Dean, Koray Kavukcuoglu, Demis Hassabis, Zoubin Ghahramani, Douglas Eck, Joelle Barral, Fernando Pereira, Eli Collins, Armand Joulin, Noah Fiedel, Evan Senter, Alek Andreev, and Kathleen Kenealy. 2024. [Gemma: Open models based on gemini research and technology](#). *Preprint*, arXiv:2403.08295.

Hugo Touvron, Louis Martin, Kevin Stone, Peter Albert, Amjad Almahairi, Yasmine Babaei, Nikolay

Bashlykov, Soumya Batra, Prajjwal Bhargava, Shruti Bhosale, Dan Bikel, Lukas Blecher, Cristian Canton Ferrer, Moya Chen, Guillem Cucurull, David Esiobu, Jude Fernandes, Jeremy Fu, Wenyin Fu, Brian Fuller, Cynthia Gao, Vedanuj Goswami, Naman Goyal, Anthony Hartshorn, Saghar Hosseini, Rui Hou, Hakan Inan, Marcin Kardas, Viktor Kerkez, Madian Khabsa, Isabel Kloumann, Artem Korenev, Punit Singh Koura, Marie-Anne Lachaux, Thibaut Lavril, Jenya Lee, Diana Liskovich, Yinghai Lu, Yuning Mao, Xavier Martinet, Todor Mihaylov, Pushkar Mishra, Igor Molybog, Yixin Nie, Andrew Poulton, Jeremy Reizenstein, Rashi Rungta, Kalyan Saladi, Alan Schelten, Ruan Silva, Eric Michael Smith, Ranjan Subramanian, Xiaoqing Ellen Tan, Binh Tang, Ross Taylor, Adina Williams, Jian Xiang Kuan, Puxin Xu, Zheng Yan, Iliyan Zarov, Yuchen Zhang, Angela Fan, Melanie Kambadur, Sharan Narang, Aurelien Rodriguez, Robert Stojnic, Sergey Edunov, and Thomas Scialom. 2023. [Llama 2: Open foundation and fine-tuned chat models](#). *Preprint*, arXiv:2307.09288.

Jiaan Wang, Yunlong Liang, Zengkui Sun, Yuxuan Cao, and Jiarong Xu. 2023a. [Cross-lingual knowledge editing in large language models](#). *Preprint*, arXiv:2309.08952.

Weixuan Wang, Barry Haddow, and Alexandra Birch. 2023b. [Retrieval-augmented multilingual knowledge editing](#). *Preprint*, arXiv:2312.13040.

Yang Xu, Yutai Hou, Wanxiang Che, and Min Zhang. 2023. [Language anisotropic cross-lingual model editing](#). In *Findings of the Association for Computational Linguistics: ACL 2023*, pages 5554–5569, Toronto, Canada. Association for Computational Linguistics.

Yunzhi Yao, Peng Wang, Bozhong Tian, Siyuan Cheng, Zhoubo Li, Shumin Deng, Huajun Chen, and Ningyu Zhang. 2023. [Editing large language models: Problems, methods, and opportunities](#). In *Proceedings of the 2023 Conference on Empirical Methods in Natural Language Processing*, pages 10222–10240, Singapore. Association for Computational Linguistics.

Yiran Zhao, Wenxuan Zhang, Guizhen Chen, Kenji Kawaguchi, and Lidong Bing. 2024. [How do large language models handle multilingualism?](#) *Preprint*, arXiv:2402.18815.

## A The Instruction for generating paraphrases.

We utilize the Qwen1.5-14b-Chat model to generate the paraphrase set  $P_\ell$  for more precisely locating neurons. The English version of the instruction for inputting Qwen1.5-14b-Chat is “You are an expert at sentence rewriting. Below I will give you a subject and a question containing the subject. Please give me 30 questions including this subject

| Methods            | cz    | vi    | tr    | fr    | es    | zh    | en    | de    | ru    | nl    | pt    | th    | avg          |
|--------------------|-------|-------|-------|-------|-------|-------|-------|-------|-------|-------|-------|-------|--------------|
| <b>Reliability</b> |       |       |       |       |       |       |       |       |       |       |       |       |              |
| LoRA-FT            | 24.08 | 28.28 | 23.22 | 23.39 | 22.82 | 16.71 | 20.25 | 22.22 | 28.75 | 23.85 | 24.34 | 30.42 | 24.03        |
| ReMaKe             | 38.23 | 46.82 | 42.01 | 38.55 | 37.56 | 29.98 | 33.44 | 36.32 | 54.28 | 36.91 | 38.91 | 69.32 | 41.86        |
| M-ROME             | 30.97 | 29.86 | 24.67 | 34.80 | 32.61 | 20.94 | 41.77 | 35.20 | 31.93 | 36.09 | 31.73 | 44.91 | 32.96        |
| M-MEMIT            | 83.20 | 73.61 | 71.12 | 81.21 | 81.03 | 39.23 | 82.10 | 81.93 | 90.66 | 79.74 | 78.28 | 76.04 | 76.51        |
| M-PMET             | 75.67 | 72.27 | 67.88 | 76.19 | 74.08 | 37.43 | 83.44 | 77.97 | 86.02 | 76.58 | 74.08 | 71.85 | 72.79        |
| LAFN               | 92.16 | 88.00 | 89.85 | 90.80 | 90.39 | 48.59 | 91.46 | 90.82 | 90.24 | 90.75 | 90.33 | 76.13 | <b>85.79</b> |
| <b>Generality</b>  |       |       |       |       |       |       |       |       |       |       |       |       |              |
| LoRA-FT            | 23.88 | 28.02 | 22.92 | 22.92 | 22.86 | 16.99 | 20.03 | 22.43 | 28.81 | 23.59 | 24.11 | 30.70 | 23.94        |
| ReMaKe             | 39.21 | 47.25 | 42.81 | 38.63 | 37.97 | 31.01 | 33.50 | 37.15 | 55.70 | 37.67 | 39.04 | 68.48 | 42.37        |
| M-ROME             | 30.79 | 30.52 | 25.56 | 34.36 | 32.51 | 19.40 | 41.46 | 35.37 | 30.76 | 34.94 | 30.22 | 40.47 | 32.20        |
| M-MEMIT            | 75.55 | 68.26 | 67.38 | 75.67 | 75.50 | 36.38 | 74.47 | 75.27 | 83.76 | 73.66 | 71.48 | 65.47 | 70.24        |
| M-PMET             | 72.09 | 69.39 | 65.88 | 73.63 | 71.72 | 35.79 | 79.66 | 74.38 | 81.00 | 72.85 | 69.77 | 63.07 | 69.10        |
| LAFN               | 87.65 | 82.27 | 85.19 | 86.60 | 86.54 | 46.08 | 87.41 | 86.01 | 83.38 | 84.48 | 84.55 | 68.85 | <b>80.75</b> |
| <b>Locality</b>    |       |       |       |       |       |       |       |       |       |       |       |       |              |
| LoRA-FT            | 64.08 | 62.35 | 57.47 | 63.01 | 74.12 | 64.23 | 80.84 | 68.09 | 62.77 | 61.69 | 59.91 | 58.27 | 64.74        |
| ReMaKe             | 100.0 | 100.0 | 100.0 | 100.0 | 100.0 | 100.0 | 100.0 | 100.0 | 100.0 | 100.0 | 100.0 | 100.0 | <b>100.0</b> |
| M-ROME             | 55.16 | 63.19 | 47.65 | 64.13 | 71.89 | 64.20 | 83.89 | 69.78 | 54.90 | 61.85 | 61.37 | 50.82 | 62.40        |
| M-MEMIT            | 94.19 | 93.92 | 90.82 | 94.81 | 95.99 | 95.36 | 97.48 | 94.82 | 90.58 | 93.68 | 92.98 | 84.48 | 93.26        |
| M-PMET             | 94.31 | 93.45 | 90.53 | 95.05 | 95.97 | 95.02 | 97.55 | 95.25 | 91.31 | 93.83 | 93.84 | 83.70 | 93.32        |
| LAFN               | 100.0 | 100.0 | 100.0 | 100.0 | 100.0 | 100.0 | 100.0 | 100.0 | 100.0 | 100.0 | 100.0 | 100.0 | <b>100.0</b> |
| <b>Portability</b> |       |       |       |       |       |       |       |       |       |       |       |       |              |
| LoRA-FT            | 22.40 | 28.87 | 19.56 | 22.82 | 21.2  | 11.49 | 20.94 | 21.80 | 29.25 | 22.70 | 21.76 | 28.92 | 22.64        |
| ReMaKe             | 26.31 | 33.82 | 22.87 | 26.82 | 25.23 | 14.47 | 27.39 | 25.19 | 34.06 | 24.14 | 25.19 | 30.86 | <b>26.36</b> |
| M-ROME             | 10.57 | 14.95 | 9.07  | 11.43 | 10.55 | 5.64  | 14.93 | 10.85 | 15.26 | 10.94 | 9.92  | 19.15 | 11.94        |
| M-MEMIT            | 23.38 | 29.55 | 21.30 | 23.50 | 22.45 | 10.75 | 27.78 | 22.37 | 26.88 | 22.42 | 21.87 | 25.41 | 23.14        |
| M-PMET             | 22.13 | 28.99 | 20.90 | 22.34 | 21.41 | 10.12 | 28.13 | 21.85 | 26.86 | 21.76 | 21.00 | 24.63 | 22.51        |
| LAFN               | 22.30 | 28.84 | 20.93 | 22.78 | 22.06 | 10.53 | 27.45 | 22.14 | 25.19 | 20.83 | 21.22 | 25.32 | 22.47        |

Table 6: The F1 results on the MzsRE dataset using LLaMA2-7b as the backbone.

in English. They must have the same semantics as the given question. Subject: { }. Question containing this Subject: { }”.

## B Detailed Results on MzsRE

The detailed results of each language on MzsRE are listed in Table 6.

## C Details for Locality-Hard

To investigate whether our method harms the unedited knowledge of the edited subjects, we call Qwen-max API to collect some knowledge with the same subject as each edited example but different relations based on the test set of Bi-ZsRE. Notably, the Qwen-max API can use the searched results to enhance the accuracy of the generated answers. We use these collected questions to build the challenging test set. Then we calculate the Locality metric on this test set and denote it as Locality-Hard.

## D Selected Cases

The selected English examples in Figure 4 are listed in Table 7. Since there is a one-to-one correspondence between Chinese and English examples, we do not list Chinese examples again.

|            |  |
|------------|--|
| s1-en      | Alec Rose  |
| s1-r1-0-en | What war did Alec Rose participate in?   |
| s1-r1-1-en | In what war did Alec Rose fight?   |
| s1-r1-2-en | What war or battle involved Alec Rose?   |
| s1-r1-3-en | Which war was Alec Rose in?  |
| s1-r2-0-en | Where was Alec Rose born?  |
| s1-r2-1-en | Alec Rose was born in which location?  |
| s1-r3-0-en | When did Alec Rose receive the MBE?  |
| s1-r3-1-en | In what year was Alec Rose awarded the MBE?  |
| s1-r4-0-en | What was Alec Rose's profession?   |
| s1-r4-1-en | In what field was Alec Rose employed?  |
| s2-en      | Elk's Head of Huittinen  |
| s2-r1-0-en | When was Elk's Head of Huittinen discovered?   |
| s2-r1-1-en | When was the discovery of Elk's Head of Huittinen?   |
| s2-r1-2-en | What year was Elk's Head of Huittinen discovered?  |
| s2-r1-3-en | When did the discovery or creation of Elk's Head of Huittinen occur?                             |
| s2-r1-4-en | Could you provide the year when the landmark Elk's Head in Huittinen was first brought to light? |
| s2-r2-0-en | In which country is Elk's Head of Huittinen located?   |
| s2-r2-1-en | To which nation does Elk's Head of Huittinen belong?   |
| s2-r3-0-en | What is the historical significance of Elk's Head of Huittinen?                                  |
| s2-r3-1-en | What role does Elk's Head of Huittinen play in the local history?                                |

Table 7: The selected examples in English of Figure 4.