

SAMPLE RATE INDEPENDENT RECURRENT NEURAL NETWORKS FOR AUDIO EFFECTS PROCESSING

Alistair Carson^{1*}, Alec Wright¹, Jatin Chowdhury², Vesa Välimäki³, Stefan Bilbao¹

¹Acoustics and Audio Group, University of Edinburgh, Edinburgh, United Kingdom

²Chowdhury DSP, Sammamish, WA, USA

³Acoustics Lab, Department of Information and Communications Engineering, Aalto University, Espoo, Finland
alistair.carson@ed.ac.uk

ABSTRACT

In recent years, machine learning approaches to modelling guitar amplifiers and effects pedals have been widely investigated and have become standard practice in some consumer products. In particular, recurrent neural networks (RNNs) are a popular choice for modelling non-linear devices such as vacuum tube amplifiers and distortion circuitry. One limitation of such models is that they are trained on audio at a specific sample rate and therefore give unreliable results when operating at another rate. Here, we investigate several methods of modifying RNN structures to make them approximately sample rate independent, with a focus on oversampling. In the case of integer oversampling, we demonstrate that a previously proposed delay-based approach provides high fidelity sample rate conversion whilst additionally reducing aliasing. For non-integer sample rate adjustment, we propose two novel methods and show that one of these, based on cubic Lagrange interpolation of a delay-line, provides a significant improvement over existing methods. To our knowledge, this work provides the first in-depth study into this problem.

1. INTRODUCTION

Virtual Analog (VA) modelling [1] refers to the digital emulation of analog systems, such as guitar amplifiers and distortion effects. The aim is to replace bulky and expensive hardware with software, typically implemented as an audio plugin, to be used in a digital audio workstation.

Approaches to VA modelling are generally divided between *white-box* methods [2, 3], which derive equations based on circuit modelling, and *black-box* methods, which define a general model structure and use data to optimise the model parameters [4, 5]. Black-box models based on neural networks have become a popular approach to creating digital models of guitar amplifiers and distortion effects in recent years, including models based on Convolutional Neural Networks [6], Recurrent Neural Networks (RNNs) [7, 8] and Differentiable Digital Signal Processing [9].

Audio plugins are frequently implemented at multiple sample rates (SR), allowing the user to choose. For white-box methods, adjusting the SR is straightforward, as it is generally explicitly included as a parameter in the model. For neural network methods,

the SR of the model is fixed to that of the training data and is generally not adjustable after training. The exception to this is the State-Trajectory Network (STN) [7], which has an adjustable SR but also requires additional state information to be recorded from the target device.

In this paper, we focus on a particular class of RNN model that is commonly applied to guitar amplifier modelling [8]. This model can achieve excellent perceptual quality at a relatively low computational cost [10, 11, 12]. Specifically, we investigate some previously proposed methods and two novel extensions for oversampling the models at inference-time. We show that with the correct choice of method, the SR of a pre-trained RNN model can be adjusted with very little impact on the emulation quality, whilst additionally reducing aliasing. For guitar amplifier plugins based on RNNs, this allows for oversampling without requiring multiple models to be trained at different SRs. Furthermore, it allows the processing of signals with arbitrary SRs without the need for resampling at run-time.

This paper is outlined as follows: Sec. 2 formally outlines the problem statement with Sec. 3 presenting the possible methods of modifying RNNs to be approximately SR independent. In Sec. 4, the methods are evaluated for a simplified test problem of a linear filter, and in Sec. 5 evaluation is carried out on several neural network models of guitar amplifiers and effects pedals. Sec. 6 provides concluding remarks and areas of further work.

2. PROBLEM STATEMENT

Consider a continuous-time input audio signal $x(t)$ that has been sampled at a rate of $F_s = 1/T$ to give $x^n \equiv x[n] \approx x(nT)$, where n is an integer sample index. In this work we consider recurrent neural networks (RNNs) of the form:

$$\mathbf{h}^n = f(\mathbf{h}^{n-1}, x^n) \quad (1a)$$

$$y^n = g(\mathbf{h}^n, x^n), \quad (1b)$$

where $\mathbf{h}^n \in \mathbb{R}^{H \times 1}$ is the hidden state of length H and y^n is the output signal. This class of model has been extensively used in recent years for modelling guitar amplifiers and effects pedals [10]. The recurrent layer, Eq. (1a), is typically a Gated Recurrent Unit (GRU) or a Long Short-Term Memory Network (LSTM), but this work is not tied to any specific recurrent unit architecture. The function $f(\cdot)$ is in general non-linear and typically a combination of hyperbolic tangent and logistic activation functions. Alternatively, Eq. (1a) can be interpreted more generally as a non-linear auto-regressive model (NARMAX) [13]. Here we take $g(\cdot)$ to be a fully-connected memoryless affine layer, which is by definition SR

* A. Carson is funded by the Scottish Graduate School of Arts and Humanities (SGSAH).

Copyright: © 2024 Alistair Carson et al. This is an open-access article distributed under the terms of the Creative Commons Attribution 4.0 International License, which permits unrestricted use, distribution, adaptation, and reproduction in any medium, provided the original author and source are credited.

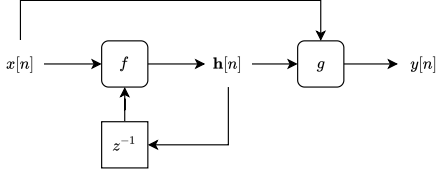


Figure 1: Baseline recurrent neural network architecture studied in this work, where f is a non-linear recurrent cell and g is a fully connected affine layer.

independent, therefore do not consider further its influence when operating at different SRs.

In this work we consider the case where the RNN has been trained on audio signals at a certain SR, F_s , but at inference we wish to operate at an oversampled rate of $F'_s = 1/T' = MF_s$, where $\{M \in \mathbb{R} \mid M > 1\}$ is the integer or non-integer oversampling factor. Assuming the input signal resampled at the new rate, so that $\tilde{x}^n \approx x(nT')$, we seek a model which correctly predicts the oversampled hidden state time-series, $\tilde{\mathbf{h}}^n$, such that the perceptual quality of the output signal \tilde{y}^n is not negatively impacted by the change of SR. We would expect that oversampling reduces aliasing artifacts caused by the non-linear activations – which could in fact improve the perceived quality – therefore we seek an oversampling method that reduces aliasing without otherwise affecting the original harmonic spectral content.

In this work we focus on a base SR of $F_s = 44.1$ kHz and consider oversampling relative to this. SR conversion from a higher to a lower rate is left to further work. We evaluate the quality of models based on their accuracy within the original Nyquist limit, i.e. we only consider frequency content below 22.05 kHz and consider potential artifacts beyond this negligible due to inaudibility.

3. METHODS

In this section we outline the existing approaches to SR independent RNNs, as well as a proposed extension to these. For comparison, for a given f and g , we additionally consider computing the same recursion, Eq. (1a), at a different SR, and refer to this as the “naive” method.

3.1. State-trajectory network method (STN)

Recent work has explored the connection between RNNs and numerical solvers for state-space systems [7, 14, 15]. In this section we show that interpreting an RNN in this way provides one possible method of SR modification, and will refer to it as the State-trajectory network (STN) method after the work in which it was originally proposed [7]. The general RNN functional form Eq. (1a) can be rewritten in terms of the state residual, $r(\mathbf{h}^{n-1}, x^n)$:

$$\mathbf{h}^n = \mathbf{h}^{n-1} + \underbrace{(-\mathbf{h}^{n-1} + f(\mathbf{h}^{n-1}, x^n))}_{r(\mathbf{h}^{n-1}, x^n)} \quad (2)$$

This can now be viewed as the Forward Euler (FE) numerical solution to the ordinary differential equation (ODE)

$$\dot{\mathbf{h}} = F_s r(\mathbf{h}, x) \quad (3)$$

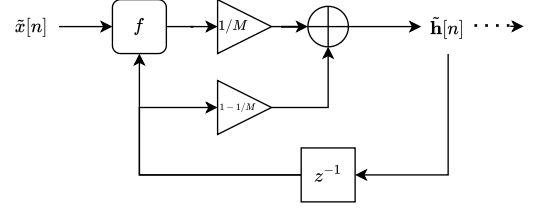


Figure 2: STN method: modified RNN architecture for changing the SR by factor of M by scaling the state residual [7].

where \mathbf{h}^n is assumed drawn from an underlying continuous state variable $\mathbf{h}(t)$ at $t = nT$, and x^n is advanced by one time step. It follows that simulating this ODE at a new SR F'_s leads to

$$\begin{aligned} \tilde{\mathbf{h}}^n &= \tilde{\mathbf{h}}^{n-1} + \frac{1}{M} r(\tilde{\mathbf{h}}^{n-1}, \tilde{x}^n) \\ &= \left(1 - \frac{1}{M}\right) \tilde{\mathbf{h}}^{n-1} + \frac{1}{M} f(\tilde{\mathbf{h}}^{n-1}, \tilde{x}^n) \end{aligned} \quad (4)$$

where $M = F'_s/F_s$ is the oversampling factor. Parker et al. [7] investigated modelling non-linear state-space systems with a model of this form, where they trained a multi-layer perceptron in place of the function r . In their work they suggest that the factor M could be used to alter the time-scale of the recursion, with some caveats: for $M > 1$, the system may lack high frequency behaviour and for $M < 1$ that aliasing might occur [7]. In this work we investigate the former and show that SR conversion in this manner does indeed lead to a low-passing effect within the audible spectrum. We refer to predicting the hidden states via Eq. (4) as the STN method of SR modification. The corresponding block diagram is shown in Figure 2.

3.2. Linearly interpolated delay-line (LIDL)

An alternative method is to modify the delay length (in samples) in the original RNN architecture, as originally proposed in [16]. Consider the RNN in Eq. (1a) as approximating a continuous time system, which implements a fixed delay of $T = 1/F_s$ s:

$$\mathbf{h}(t) = f(\mathbf{h}(t - T), x(t)), \quad (5)$$

This system can be sampled with another time-step, T' by setting $t = nT'$ to obtain:

$$\mathbf{h}(nT') = f(\mathbf{h}((n - M)T'), x(nT')) \quad (6)$$

where M is as defined in the previous section. We can then approximate this system in discrete time as:

$$\tilde{\mathbf{h}}^n = f(\tilde{\mathbf{h}}^{n-M}, \tilde{x}^n) \quad (7)$$

where $\tilde{\mathbf{h}}^n \equiv \tilde{\mathbf{h}}[n] \approx \mathbf{h}(nT')$. In this method, the hidden state of the RNN is delayed by the same duration (in s) as when operating at the original SR. For integer oversampling, $M \in \mathbb{Z}^+$, and the delay of M samples can be easily implemented with a delay line.

However, in the case of non-integer resampling (e.g. from 44.1 kHz to 48 kHz) the state at time step $n - M$ is not defined. In this case, Chowdhury [16] proposed using linear interpolation between the two nearest states to approximate the unknown state:

$$\tilde{\mathbf{h}}^{n-M} \approx (1 - \Delta)\tilde{\mathbf{h}}^{n-[M]} + \Delta\tilde{\mathbf{h}}^{n-[M]-1} \quad (8)$$

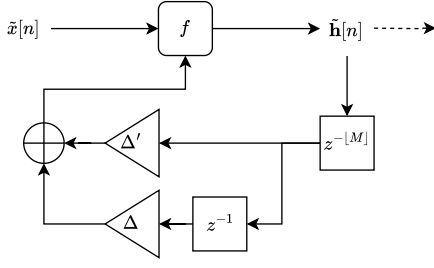


Figure 3: LIDL method: modified RNN architecture for oversampling by a factor of M by linearly interpolating between successive states. $\Delta = M - \lfloor M \rfloor$ and $\Delta' = 1 - \Delta$. Adapted from [16].

where $\Delta = M - \lfloor M \rfloor$. Linear interpolation is known to be a good approximation for very small fractional delays due to its linear phase response [17], but shows increasing errors in magnitude at higher frequencies. It is worth noting that for $M < 1$, Eq. (8) becomes implicit, therefore this method is not suitable for lowering the SR. In theory, one-sided extrapolation could be used here instead, but this is left to further work.

3.3. All-pass delay line method (APDL)

The LIDL method can be interpreted as using a first-order FIR filter to approximate the fractional delay when oversampling by a non-integer factor. In this work we also consider an IIR filter approach to this by embedding an all-pass filter in the state feedback loop, as shown in Figure 4. The first-order all-pass filter has the transfer function:

$$H_{\eta}(z) = \frac{\eta + z^{-1}}{1 + \eta z^{-1}}, \quad (9)$$

and is known to approximate a delay of Δ samples when [18]:

$$\eta = \frac{1 - \Delta}{1 + \Delta}. \quad (10)$$

This approximation is only valid in the low-frequency limit, however. Unlike linear interpolation, all-pass filter interpolation gives a unity magnitude response but shows increasing errors in phase at high frequencies [18, 17]. For an oversampling ratio of M , a fractional delay of $\Delta = M - \lfloor M \rfloor$ samples is required, so from Eq. (10), the following recursion results:

$$\mathbf{a}^n = \eta \cdot (\tilde{\mathbf{h}}^{n-\lfloor M \rfloor} - \mathbf{a}^{n-1}) + \tilde{\mathbf{h}}^{n-\lfloor M \rfloor-1}, \quad (11)$$

where $\mathbf{a} \in \mathbb{R}^{N \times 1}$ is the all-pass filter state. The current all-pass filter state can then be substituted into Eq. (7) as an approximation to $\tilde{\mathbf{h}}^{n-M}$.

Note that for integer M , the APDL method and the LIDL method are identical. Likewise, the APDL method is not suitable for lowering the SR ($M < 1$). Furthermore, as $\Delta \rightarrow 0$, the filter relies on pole-zero cancellation to give a flat frequency response, which can introduce numerical errors when operating with finite-precision arithmetic. As such, it has been previously recommended to design APF interpolators such that, where possible, $\Delta \in [0.1, 1.1]$ [19]. In Section 5 we show that this does indeed cause problems for SR conversion from 44.1 kHz to 48 kHz.

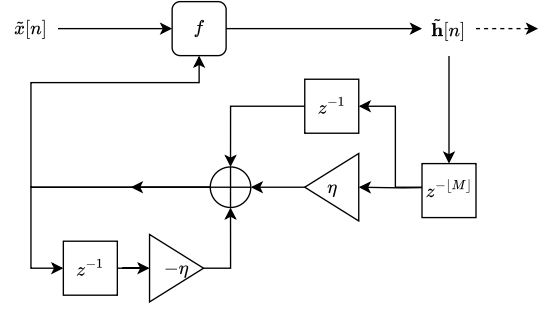


Figure 4: Proposed APDL method: modified RNN architecture for oversampling by a non-integer factor of M with an all-pass filter that implements a fractional delay. η is given by Eq. (10).

3.4. Cubic Lagrange interpolated delay-line (CIDL)

The final method we consider involves using a higher order FIR filter to approximate the fractional delay. In this work we propose using a cubic Lagrange interpolation [18], where the filter order is $K = 3$. Higher order filters were not investigated but are left to further work. In general, a fractional delay of Δ samples can be achieved by convolution with the impulse response [18]:

$$l_{\Delta}[n] = \prod_{k=0, k \neq n}^K \frac{\Delta - k}{n - k}, \quad n = 0, \dots, K. \quad (12)$$

For an oversampling factor of M , we can convolve this kernel with $K + 1$ previous states to approximate the state at time-step $n - M$:

$$\tilde{\mathbf{h}}^{n-M} \approx \sum_{k=0}^K l_{\Delta}[k] \cdot \tilde{\mathbf{h}}^{n-k-\gamma}. \quad (13)$$

where for $M > 1$:

$$\gamma = 1 + \lfloor |M - 2| \rfloor, \quad \Delta = M - \lfloor |M - 2| \rfloor - 1. \quad (14)$$

Note that for $M < 2$ this results in an asymmetric selection of nearest neighbouring samples over which to interpolate. In general this will generate more error than a centered design but is unavoidable due to the state at time-step n being unknown. For $M > 2$, a centered design is always realisable and therefore recommended.

3.5. Computational cost

A software benchmark was constructed, with a series of GRU networks with hidden sizes ranging from 24 to 72, trained at 44.1 kHz SR. The networks were implemented in C++, using the RTNeural library [20], and used to process $T_{\text{audio}} = 100$ s of audio at 96 kHz SR, using each of the SR adaptation methods described above. The processing time T_{proc} for each network and adaptation method was measured, and used to compute the ‘‘real-time factor’’ $F_{\text{RT}} = T_{\text{audio}}/T_{\text{proc}}$. The performance benchmark was run on a 2021 Apple M1 MacBook Pro.

Table 1 shows the average percent change in real-time factor across the different network sizes, relative to the naive implementation. The delay and STN methods tended to perform the best, having almost no impact on the measured real-time factor, while the interpolation-based methods were slightly slower. These results are expected, as the interpolation-based methods (particularly

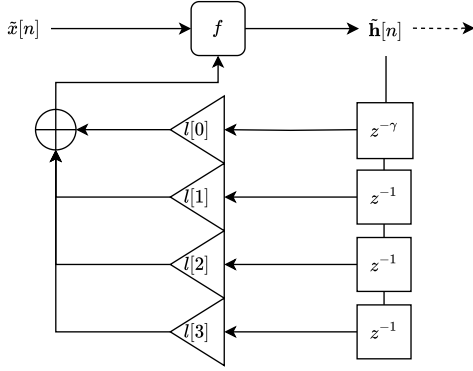


Figure 5: Proposed CIDL method: modified RNN architecture for oversampling by a factor of M with third-order Lagrange delay-line interpolation. The filter coefficients, l , and delay γ are given by Eqs. (12) and (14) respectively.

Delay	STN	LIDL	APDL	CIDL
-0.56%	-0.57%	-2.13%	-3.24%	-3.17%

Table 1: The average change to the real-time factor measured in the performance benchmarks across networks of varying size, relative to the naive implementation.

CIDL and APDL) require more computational work than the other methods. However, the additional cost of performing SR adaptation with any of the proposed methods is small relative to the computational cost of the GRU network overall.

4. LINEAR ANALYSIS

In this section, we consider a simplified problem of replacing system Eq. (1a) with a one-pole linear filter of the form:

$$h^n = Ah^{n-1} + x^n, \quad y^n = h^n, \quad (15)$$

where $A = e^{-2\pi f_c / F_s}$. This can be interpreted as a discretization (which is exact under zero-input conditions) of a one-pole RC filter with cutoff frequency, f_c and sampled at F_s , driven by some discrete-time signal x^n . In neural network terminology, this could be interpreted as single-weight RNN with linear activation. The task of operating the recursion of Eq. (15) at arbitrary SRs is trivial: the parameter A can be computed for any F_s . However, we consider the case where A is fixed and apply the proposed methods to operate at different SRs. This is a realistic introductory problem to SR independent RNNs where the model weights are not parameterized in terms of SR, therefore we are forced to look at algorithmic rather than parametric changes to the model.

In the following analysis, we apply the methods outlined in Sec. 3 to the one-pole IIR filter and for different oversampling ratios M compare the frequency response to the original, unmodified system at the base SR. The linearity of both the system and methods allow the analysis to be carried out in the frequency domain. The baseline frequency response, corresponding to the system operating at the base SR, $F_s = 1/T$ can be derived analytically:

$$H_{\text{BASE}}(\omega) = \frac{1}{1 - Ae^{-j\omega T}}, \quad (16)$$

where ω is angular frequency in rad / s. The respective frequency responses of the system modified with the studied methods can then be derived:

$$H_{\text{NAIVE}}(\omega) = \frac{1}{1 - Ae^{-j\omega T'}} \quad (17a)$$

$$H_{\text{STN}}(\omega) = \frac{1}{M - (M + A - 1)e^{-j\omega T'}} \quad (17b)$$

$$H_{\text{LIDL}}(\omega) = \frac{1}{1 - A(1 - \alpha + \alpha e^{-j\omega T'})e^{-j\omega T'[M]}} \quad (17c)$$

$$H_{\text{APDL}}(\omega) = \frac{1 + \eta e^{-j\omega T'}}{1 + \eta e^{-j\omega T'} - A(\eta + e^{-j\omega T'})e^{-j\omega T'[M]}} \quad (17d)$$

$$H_{\text{CIDL}}(\omega) = \frac{1}{1 - A \sum_{k=0}^{k=3} l_{\Delta}[k] e^{-j\omega T'(k+\gamma)}} \quad (17e)$$

where M is the oversampling factor, $T' = T/M$ is the operating sample period and Δ, γ are defined in Eq. (14).

Figure 6 (left) shows the frequency responses (17a) – (17e) for different oversampling factors. The baseline frequency response, H_{BASE} is overlaid on each subplot as a black dashed line. Figure 6 (center) shows spectral error magnitude as a function of frequency, in decibels, defined as:

$$\mathcal{L}(\omega) = 20 \log_{10} \left| \frac{H_{\langle \text{method} \rangle}(\omega)}{H_{\text{BASE}}(\omega)} \right|. \quad (18)$$

In Figure 6 (right) the y-axis shows the mean spectral error, $\hat{\mathcal{L}}$, determined by averaging Eq. (18) over the frequency in the range $\omega \in (0, F_s/2)$ where $F_s/2$ is the Nyquist limit at the base SR. The x-axis is the pole-location A , in the (unmodified) IIR filter (15).

4.1. Integer oversampling

For integer oversampling, the delay-based methods (LIDL, APDL, and CIDL) all reduce to the same frequency response which is identical to the original frequency response. This comes at the cost of frequency aliasing above the original SR. This can be seen in Figure 6 (left): when operating at an oversampled rate of $M = 2$, the original spectrum is mirrored about the original SR. In the context of a low-pass filter, this may seem like a major problem due to the creation of fictitious high-frequency behaviour. However, assuming the input signal, x , is bandlimited to the original Nyquist limit then this high frequency behaviour will not be present in the output signal. This assumption is reasonable in the context of oversampling for aliasing reduction, given an appropriate choice of up-sampling filter with sufficient stop-band attenuation [21].

In contrast to the delay-line methods, the STN method does not exhibit any frequency-mirroring, but has a low-passing effect on the frequency response. Although not pictured in the plot, as $F'_s \rightarrow \infty$, the frequency response converges, which is intuitive given its resemblance to an explicit numerical solver. However it converges to the incorrect response therefore represents a different system to the original. The naive method simply stretches the function along the frequency axis, causing significant frequency warping below the original Nyquist limit.

4.2. Non-integer oversampling

Non-integer oversampling exposes differences between the LIDL, APDL and CIDL methods. In Figure 6 (center), the LIDL method

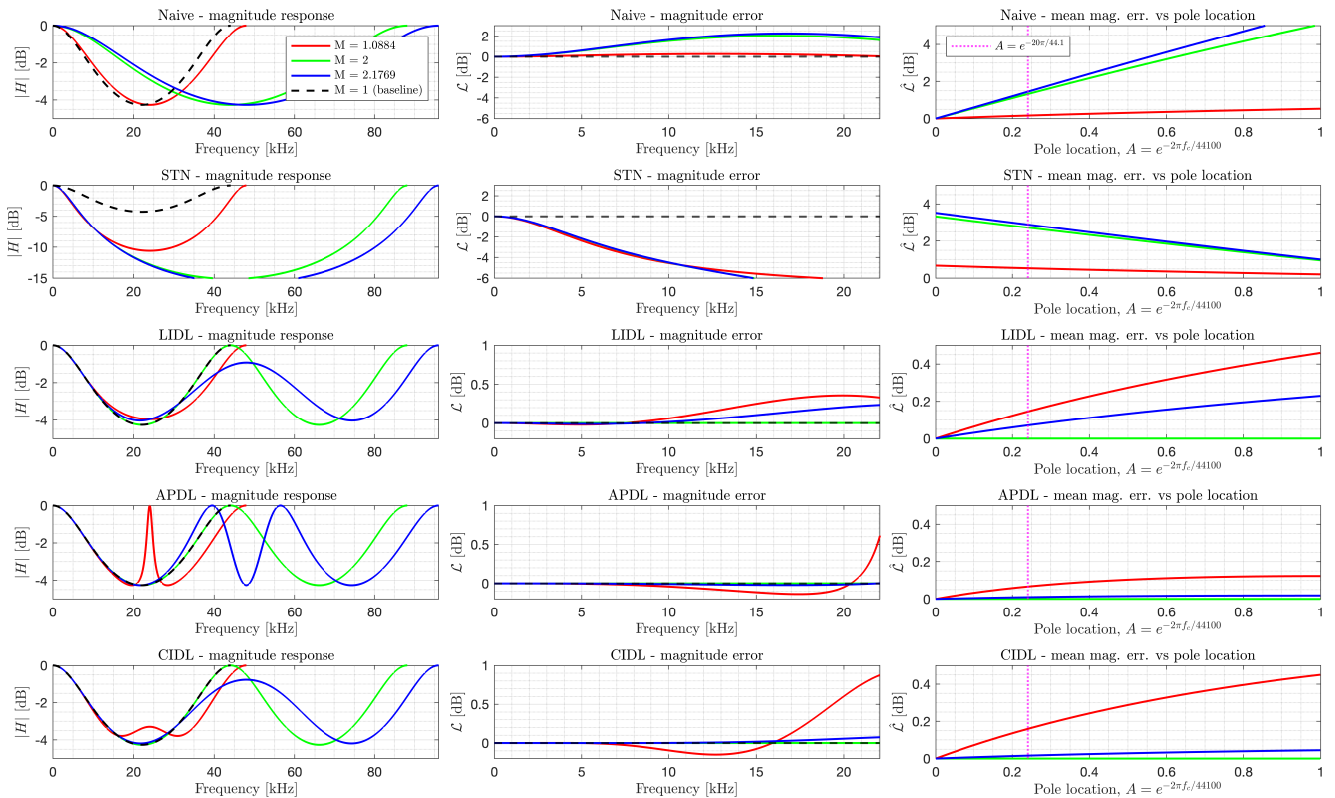


Figure 6: Left: magnitude responses of the modified and unmodified one-pole filter (17a) - (17e) for different oversampling factors M . Note that a single cycle of the full-band DFT is shown for all SRs. Centre: the corresponding spectral error (18) when compared to the unmodified system at the base rate, $F_s = 44.1$ kHz. The frequency axis is cropped to the original Nyquist range. Right: mean spectral error (over original Nyquist range) against target system pole location, $A = e^{-2\pi f_c / F_s}$. In LH and centre columns, the pole location is fixed at $A = e^{-20\pi/44.1}$; in RH column this point is indicated by the magenta dotted line. NB y-axis limits differ across subplots.

acts as a high-shelving filter within the original Nyquist range. At 48 kHz ($M = 1.0884$), the APDL provides a flatter response except at very high frequencies, where the pole at the new Nyquist frequency causes a resonance. The CIDL method gives a different error profile to the LIDL method but the mean spectral error is approximately the same. At 96 kHz, both APDL and CIDL provide a significantly flatter response than LIDL. Note that Figure 6 (center) shows the magnitude error for a RC filter at one particular cut-off frequency only ($f_c = 10$ kHz).

To get a broader view, we can compare the methods across the full range of possible pole locations. Figure 6 (right) shows these results. In this case, the absolute spectral error has been averaged over the Nyquist range of the base SR. It can be seen that, at 48 kHz, the LIDL and CIDL methods give similar results, but at 96 kHz the higher-order interpolation (CIDL) gives a notable improvement particularly as the system pole approaches the unit circle pole, i.e. as $f_c \rightarrow 0$. In the other extreme, as $f_c \rightarrow \infty$, the error of all three delay-based methods approaches zero, which is reassuring as in this limit the RC filter should pass all frequencies with no attenuation. In contrast, the STN method gets worse in this limit with an error of up to 3 dB. At both non-integer oversampling factors the APDL gives the lowest spectral error across the full range of pole locations. This suggests that APDL is the best method for non-integer SR conversion – a result which is perhaps not surprising given that the APF has, by definition, a flat mag-

nitude response. However, we will see in Sec. 5 that this result does not always translate to good behaviour for more complex, nonlinear systems, and that the FIR-based methods may indeed be preferable.

5. EVALUATION ON NEURAL NETWORKS

The different methods were evaluated on 18 pre-trained LSTM networks found in the GuitarML Tone Library¹. These are models of various effects including low- and high-gain amps, fuzz pedals, acoustic simulation and one compressor pedal. The models are designed for a plug-in operating at 44.1 kHz – so we assume the models were correctly trained on audio at this SR. We make our testing code publicly available and provide audio examples².

5.1. Test metrics and input signals

To simulate a realistic use-case, the models were tested on one minute of guitar and bass recordings – the same test set used in previous works [10]. First we up-sampled the input signal to the target SR, F'_s , to obtain \tilde{x} then passed this audio signal through

¹<https://guitarml.com/tonelibrary/tonelib-pro.html>

²https://a-carson.github.io/dafx24_sr_indie_rnn/

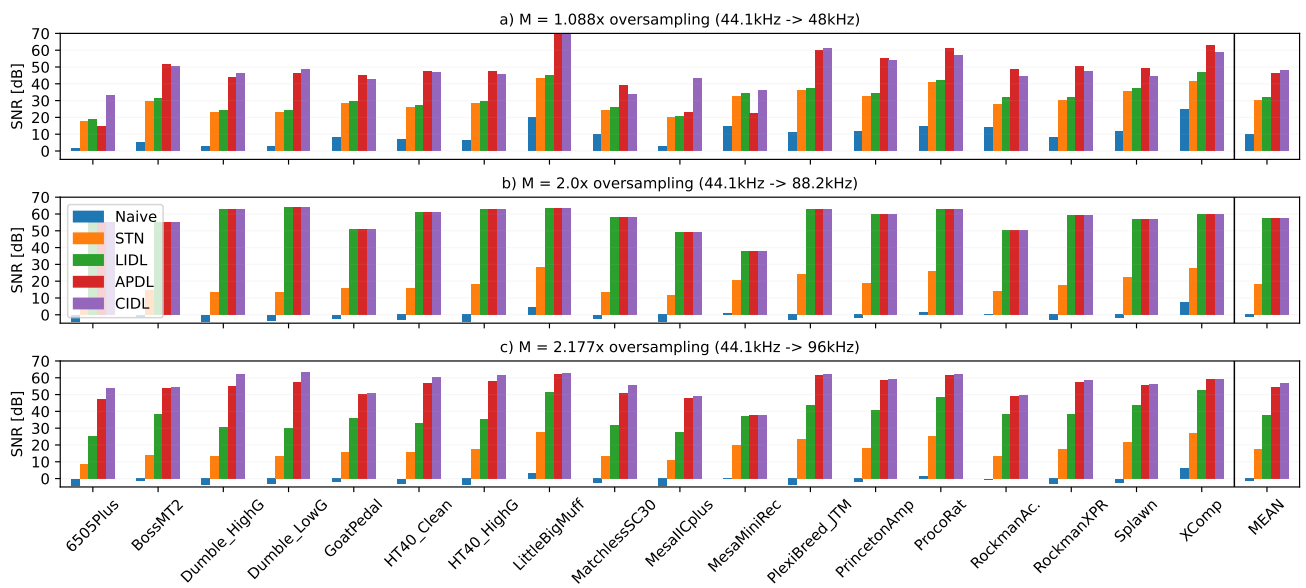


Figure 7: SNR results across LSTM models trained on various effects for common SR conversion ratios. The input audio signal was one minute of electric guitar and bass. The mean SNR over all effects is shown in the last column.

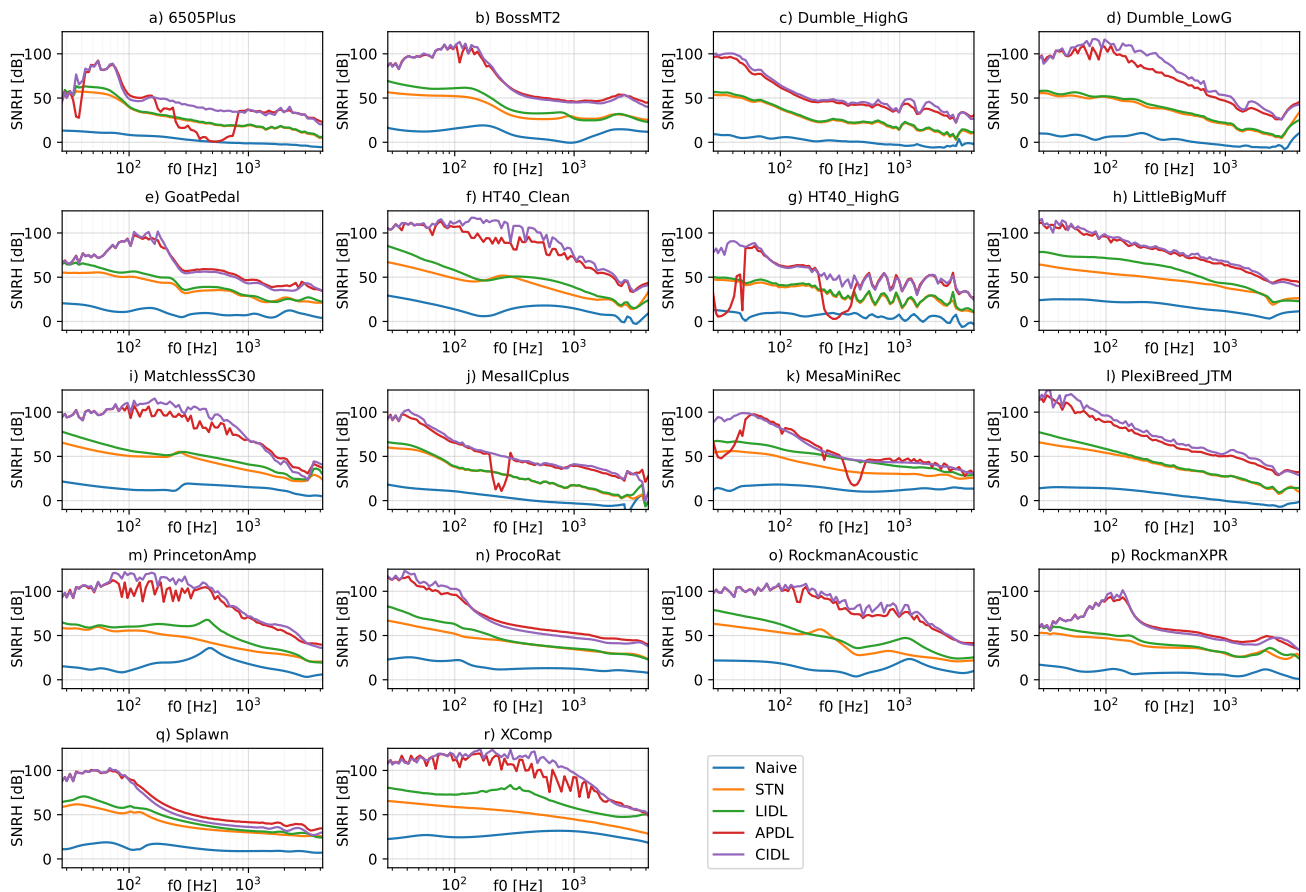


Figure 8: Signal-to-noise ratio of harmonic components (SNRH) in the model output signal against input sine tone frequency, f_0 , for LSTM models trained on various effects. The oversampling factor is $M = 1.0884$ corresponding to SR modification from 44.1 kHz to 48 kHz.

the respective modified networks to obtain the output \tilde{y} . The output was then down-sampled to the base-rate (\hat{y}) and the signal-to-noise ratio (SNR) computed relative to the baseline model output at 44.1 kHz, y , using Eq. (19). The up-sampling and down-sampling was implemented with the FFT-based method proposed in [22] because of machine-precision level of accuracy.

$$\text{SNR} = \frac{\sum_{n=0}^{N-1} y^2}{\sum_{n=0}^{N-1} (y - \hat{y})^2}. \quad (19)$$

For a more detailed analysis on how the proposed methods perform across a range of driving frequencies, and to evaluate aliasing reduction, we consider the case of sinusoidal inputs. Sine tones of duration one second were generated with frequencies ranging from $f_0 = 27.5$ Hz to 4186 Hz (corresponding to the notes on a piano) at the base SR F_s and the inference SR F'_s respectively. The tones were then processed through the baseline model and the SR adjusted models to obtain y and \tilde{y} respectively. Two signal-to-noise metrics are then considered: signal to aliasing noise ratio (SNRA) and signal to harmonic noise ratio (SNRH).

The SNRA is computed by first windowing \tilde{y} with a N' -length Chebyshev window with 120 dB stop-band attenuation and taking the DFT to get the spectrum \tilde{Y} . The amplitudes and phase of the harmonic components were extracted from the spectrum and used to synthesise an ideal alias-free version of the signal \tilde{y}_{BL} at the base SR. This signal was then windowed with an N -length Chebyshev window, transformed to obtain spectrum \tilde{Y}_{BL} , and scaled such that the first harmonic of \tilde{Y}_{BL} and \tilde{Y} were equal in amplitude. The SNRA was then computed as

$$\text{SNRA} = \frac{\sum_{k=0}^{N/2} |\tilde{Y}_{\text{BL}}[k]|^2}{\sum_{k=0}^{N/2} (|\tilde{Y}[k]| - |\tilde{Y}_{\text{BL}}[k]|)^2}, \quad (20)$$

where the $N/2$ bin corresponds to the Nyquist limit at the base SR F_s . To compare the non-aliased components of y and \tilde{y} , a band-limited version of the baseline was synthesised, y_{BL} , and the SNRH computed as

$$\text{SNRH} = \frac{\sum_{n=0}^{N-1} y_{\text{BL}}^2}{\sum_{n=0}^{N-1} (y_{\text{BL}} - \tilde{y}_{\text{BL}})^2}. \quad (21)$$

5.2. SNR Results

Figure 7 shows the audio-input SNR results across the various LSTM models at common oversampling ratios (corresponding to SRs conversion from 44.1 kHz to 48 kHz, 88.1 kHz and 96 kHz respectively). Figure 8 shows the results of the more detailed sine-tone-input analysis at 48 kHz.

It is clear that in all cases, any of the methods outlined in Section 3 provide a significant improvement in SNR compared to the naive method of using the original (unmodified) RNN at arbitrary SRs. The STN method provides an increase in SNR, but gets progressively worse as the SR increases – a trend also seen in the linear analysis. This suggests that the STN method should be avoided in practice for large SR changes.

The delay-based methods – LIDL, APDL and CIDL – generally perform significantly better and do not deteriorate as SR increases. At $M = 2$ times oversampling, all three methods reduce to a pure delay line and therefore give identical results. In this case the quality increase compared to the STN method is significant –

giving a minimum of 18 dB (“MesaMiniRec”) and up to 50 dB increase (“DumbleLowG”) in SNR.

The results for non-integer oversampling ratios allow a comparison between the delay-based methods. When operating at 48 kHz, the LIDL method performs comparably to STN, and shows further improvement at 96 kHz. At 48 kHz, the APDL and CIDL methods generally give similar results apart from in three cases in which the APDL performs similar to or worse than STN and LIDL: “6505Plus”, “MesaICplus” and “MesaMiniRec”. This is further demonstrated in Figure 8a), g), j) and k).

In these models, and for certain sine tone inputs in the mid-frequency range, the APDL method fails catastrophically giving nearly 0 dB SNRH. A more detailed examination in these failure cases showed oscillations at the Nyquist frequency and extreme aliasing that can perhaps be attributed to numerical round-off error due to pole-zero cancellation in the all-pass filter when the fractional delay is small ($\Delta < 0.1$) [19]. Further analysis is needed to determine why it is mid-frequency inputs that cause the problem, but this is a concerning result given that guitar and bass have harmonic content in this range. This problem motivated the investigation into higher order FIR interpolation, which is guaranteed stable. It can be seen that the CIDL method does not suffer from the anomalies seen in the APDL method and otherwise gives a comparable SNR.

For SR conversion from 44.1 kHz to 96 kHz, all delay-based methods improve in accuracy (compared to at 48 kHz), with CIDL providing the highest SNR across all models. The aforementioned anomalies in the APDL method results appear to be suppressed at this SR, and the APDL performs consistently second-best.

5.3. Aliasing

Figure 9 shows how the proposed CIDL method performs across different oversampling ratios using the “MesaMini” model as a case study. This model was chosen as a worst-case-scenario because it exhibited the strongest aliasing at the base SR. In Figure 9 (right), it can be seen that oversampling progressively reduces aliasing with the reduction most obvious for high-frequency input signals, as is to be expected. In Figure 9 (left), we can see how oversampling affects the amplitudes of the expected harmonic components. It can be seen that for integer sampling ratios the SNRH is around 100 dB – meaning the harmonic amplitudes match the baseline to near machine precision (operating at single-precision). For non-integer ratios, the SNRH is lower due to interpolation error but generally increases as the SR increases. These results indicate that oversampling does indeed reduce aliasing in RNN models of guitar effects, and that if a high-quality interpolation method is used, such as Lagrange interpolation, the original harmonic distortion in the baseline model can be preserved to a high degree of accuracy.

6. CONCLUSIONS AND FURTHER WORK

In this paper we examined methods of modifying recurrent neural network architectures to enable high-fidelity audio processing at a SR that differs from the training data. Integer and non-integer oversampling was considered with down-sampling left to future work. The methods were tested on several LSTM models of guitar effects and evaluated through the SNR of the modified (oversampled) model relative to the original model output.

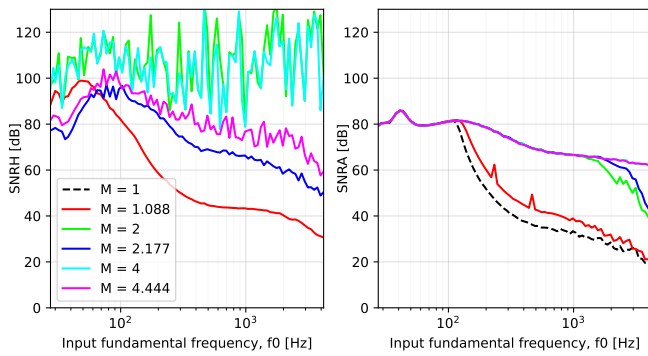


Figure 9: Signal-to-noise ratio of harmonics (left) and signal-to-aliasing-noise ratio (right) of the “MesaMini” model output with the proposed cubic interpolation method (CIDL) of SR conversion. Note that for $M = 2, 4$ the CIDL method reduces to the pure delay-line method [16]. The baseline $M = 1$ is not shown in LH figure because the SNRH is infinite.

Two distinct classes of method were compared: the STN method, in which the SR is adjusted by scaling the state residual (as in an explicit numerical solver); and delay-based methods, in which the length of the RNN sample delay is stretched by the oversampling factor. For non-integer oversampling, the latter method requires the estimation of a fractional delay. In this case we considered the previously proposed linear interpolation method (LIDL) and proposed, in addition, two alternative methods using a first-order all-pass filter and cubic Lagrange interpolation (APDL and CIDL, respectively).

For integer oversampling, the delay-based method gave consistently the highest fidelity across all models: improving the signal-to-aliasing noise ratio with little effect on the magnitude of harmonic components.

For non-integer oversampling, the proposed CIDL method provided a considerable improvement over the lower-order FIR LIDL method. This result suggests that higher-order Lagrange interpolation may improve results even further. The APDL method appeared promising, and for some models its performance was superior to that of the CIDL method, but crucially in some cases it fails and produces noisy, highly-aliased, inaccurate output. We therefore recommend the proposed CIDL method as the best option for non-integer SR conversion.

7. ACKNOWLEDGMENTS

Part of this work was conducted when Alistair Carson visited Vesa Välimäki and Alec Wright at the Aalto Acoustics Lab on May 11 – July 22, 2023. Stefan Bilbao also visited the Aalto Acoustics Lab on May 31–June 15, 2023.

8. REFERENCES

[1] V. Välimäki, S. Bilbao, J. O. Smith, J. S. Abel, J. Pakarinen, and D. Berners, “Virtual analog effects,” in *DAFx: Digital Audio Effects*, U. Zölzer, Ed., pp. 473–522. John Wiley & Sons, Ltd, 2011.

[2] M. Karjalainen and J. Pakarinen, “Wave digital simulation of a vacuum-tube amplifier,” in *Proc. IEEE Int. Conf. Acoust. Speech Signal Process. (ICASSP)*, Toulouse, France, May 2006, pp. 153–156.

[3] R. C. D. Paiva, S. D’Angelo, J. Pakarinen, and V. Välimäki, “Emulation of operational amplifiers and diodes in audio distortion circuits,” *IEEE Trans. Circ. Syst. II*, vol. 59, no. 10, pp. 688–692, Oct. 2012.

[4] A. Novak, L. Simon, P. Lotton, and J. Gilbert, “Chebyshev model and synchronized swept sine method in nonlinear audio effect modeling,” in *Proc. Int. Conf. Digital Audio Effects (DAFx-10)*, Graz, Austria, Sept. 2010, pp. 423–426.

[5] S. Orcioni, A. Terenzi, S. Cecchi, F. Piazza, and A. Carini, “Identification of Volterra models of tube audio devices using multiple-variance method,” *J. Audio Eng. Soc.*, vol. 66, no. 10, pp. 823–838, Oct. 2018.

[6] E.-P. Damskägg, L. Juvela, E. Thuillier, and V. Välimäki, “Deep learning for tube amplifier emulation,” in *Proc. IEEE Int. Conf. Acoust. Speech Signal Process.*, Brighton, UK, May 2019.

[7] J. Parker, F. Esqueda, and A. Bergner, “Modelling of nonlinear state-space systems using a deep neural network,” in *Proc. 22nd Int. Conf. Digital Audio Effects*, Birmingham, UK, Sept. 2019.

[8] A. Wright, V. Välimäki, and E.-P. Damskägg, “Real-time black-box modelling with recurrent neural networks,” in *Proc. 22nd Int. Conf. Digital Audio Effects*, Birmingham, UK, Sept. 2019.

[9] S. Nercessian, A. Sarroff, and K. J. Werner, “Lightweight and interpretable neural modeling of an audio distortion effect using hyperconditioned differentiable biquads,” in *Proc. ICASSP21*, Toronto, Canada, June 2021, pp. 890–894.

[10] A. Wright, E.-P. Damskägg, L. Juvela, and V. Välimäki, “Real-time guitar amplifier emulation with deep learning,” *Appl. Sci.*, vol. 10, no. 2, 2020.

[11] L. Juvela et al., “End-to-end amp modeling: from data to controllable guitar amplifier models,” in *Proc. IEEE Int. Conf. Acoust. Speech Signal Process. (ICASSP23)*, Rhodes Island, Greece, June 2023.

[12] W. Cassidy and E. De Sena, “Perceptual evaluation and genre-specific training of deep neural network models of a high-gain guitar amplifier,” in *Proc. 26th Int. Conf. Digital Audio Effects (DAFx-23)*, Aalborg, Denmark, 2023, pp. 151–158.

[13] S. A. Billings, “Models for linear and nonlinear systems,” in *Nonlinear System Identification*, chapter 2, pp. 17–59. John Wiley & Sons, Ltd, 2013.

[14] A. Peussa, E.-P. Damskägg, T. Sherson, T. Mimilakis, J. Juvela, A. Gotsopoulos, and V. Välimäki, “Exposure bias and state matching in recurrent neural network virtual analog models,” in *Proc. 24th Int. Conf. Digital Audio Effects (DAFx-20in21)*, Vienna, Austria, 2021, pp. 284–291.

[15] J. Wilczek, A. Wright, V. Välimäki, and E. Habets, “Virtual analog modeling of distortion circuits using neural ordinary differential equations,” in *Proc. 25th Int. Conf. Digital Audio Effects (DAFx-20in22)*, Vienna, Austria, 5 2022.

[16] J. Chowdhury, “Sample-rate agnostic recurrent neural networks,” <https://jatinchowdhury18.medium.com/sample-rate-agnostic-recurrent-neural-networks-238731446b2>, April 2022. Accessed 5/3/24.

[17] V. Välimäki and T.I. Laakso, “Principles of fractional delay filters,” in *Proc. IEEE International Conference on Acoustics, Speech, and Signal Processing (ICASSP)*, 2000, vol. 6, pp. 3870–3873.

[18] T. I. Laakso, V. Välimäki, M. Karjalainen, and U. K. Laine, “Splitting the unit delay,” *IEEE Signal Processing Magazine*, vol. 13, no. 1, pp. 30–60, 1996.

[19] J. O. Smith III, *Physical Audio Signal Processing*, <http://ccrma.stanford.edu/~jos/pasp/>, accessed 28/2/23, online book, 2010 edition.

[20] J. Chowdhury, “RTNeural: Fast Neural Inference for Real-Time Systems,” *arXiv preprint arXiv:2106.03037*, 2021.

[21] J. Kahles, F. Esqueda, and V. Välimäki, “Oversampling for nonlinear waveshaping: Choosing the right filters,” *J. Audio Eng. Soc.*, vol. 67, pp. 440–449, 2019.

[22] V. Välimäki and S. Bilbao, “Giant FFTs for sample-rate conversion,” *J. Audio Eng. Soc.*, vol. 71, pp. 88–99, March 2023.