

A Survey of Integrating Wireless Technology into Active Noise Control

Xiaoyi Shen¹, Dongyuan Shi, Zhengding Luo, Junwei Ji, Woon-Seng Gan
Nanyang Technological University
S2-B4A-03, 20 Nanyang Link, Singapore

ABSTRACT

Active Noise Control (ANC) is a widely adopted technology for reducing environmental noise across various scenarios. This paper focuses on enhancing noise reduction performance, particularly through the refinement of signal quality fed into ANC systems. We discuss the main wireless technique integrated into the ANC system equipped with some innovative algorithms in diverse environments. Instead of using microphone arrays, which increase the computation complexity of the ANC system, to isolate multiple noise sources to improve noise reduction performance, the application of the wireless technique avoids extra computation demand. Wireless transmissions of reference, error, and control signals are also applied to improve the convergence performance of the ANC system. Furthermore, this paper lists some wireless ANC applications, such as earbuds, headphones, windows, and headrests, underscoring their adaptability and efficiency in various settings.

1. INTRODUCTION

Active Noise Control (ANC) has become a widespread technology in attenuating noise [1–11]. ANC operates on the principle whereby a control signal is played by a secondary source that intersects with ambient noise at some specific locations, resulting in noise cancellation. A conventional feedforward ANC system comprises reference microphones, error microphones, and secondary sources, capturing the reference and error signals and emitting the control signal, respectively [12–17]. The control signals are generated by processing the reference signals through the adaptive control filters. To optimize the performance of the control filter, an adaptive algorithm, such as the Filtered-X Least Mean Square (FXLMS), is employed to update the weight of the control filter by minimizing a predefined cost function [18–24]. The refinement of reference signal quality is deemed essential for the effectiveness of adaptive algorithms in ANC systems [25]. Various methodologies have been proposed to enhance the quality of the reference signals, including the utilization of multiple reference microphones in a multi-reference approach to provide comprehensive acoustic information [26–28]. Additionally, microphone arrays have been deployed to collect multiple reference signals in multi-source environments [29–31]. Techniques such as noise separation with microphone arrays have been employed to provide separated reference signals to the control filter [32–35]. The application of arrival time differences assists in selecting the optimal reference signal [36], while a time division multiple reference strategy allocates individual time slots to each reference microphone, enhancing acoustic information acquisition [37]. Moreover, the selection of dominant components in reference signals through the singular value decomposition

¹xiaoyi003@e.ntu.edu.sg

of the power spectrum matrix [38] and the reconstruction of reference signals via noise signal decomposition and multi-network reconstruction to provide accurate information for the control filter [39], alongside spectrum reshaping for enhancing the correlation between the reference signal and disturbance [40], have been explored.

Innovations in wireless technology present another method for enhancing signal quality. Various studies have investigated the integration of wireless transmission with ANC, leveraging the speed of wireless transmission over sound to afford ANC controllers advanced signal reception and processing time. Strategies include placing wireless transmitters at the door of the room to capture incoming reference signals [41, 42], and positioning transmitters close to noise sources [43–45]. Alternatively, wireless technology has been utilized to transmit error signals [46] and control signals processed by adaptive filters [47]. Notably, wireless feedforward ANC headphones employ coherence-based signal selection, and coherence-based weight determination methods to optimize noise reduction [48], and wireless hybrid ANC systems utilize an error separation module to individually update feedforward and feedback filters with separated error signals [44], and apply the fixed-adaptive selection control for distinct feedforward and feedback filter updates. Wireless earbuds, incorporating microphones, controllers, and wireless modules within their charging cases, transmit control signals wirelessly to the earbuds [47]. Similarly, wireless ANC headrests and windows apply wireless reference signals to enhance the noise reduction capabilities of multi-channel ANC systems [43, 45]. Moreover, the incorporation of wireless ANC technology in infant incubators highlights its broader applicability [49].

This paper provides a comprehensive overview of adaptive algorithms employed in wireless ANC technologies. Multiple algorithms applied in wireless ANC methodologies are discussed in Section 2. Section 3 introduces various applications of wireless ANC, illustrating the broad usage of wireless ANC. Section 4 concludes the whole paper.

2. WIRELESS TECHNIQUE INTEGRATED WITH ANC

This section introduces various ANC algorithms equipped with wireless technology. The time-domain/frequency-domain lookahead aware algorithm, digital twin technology, coherence-based selection, and coherence-based weight determination are applied in the wireless feedforward ANC. Error separation module and fixed-adaptive control selection technique are implemented in the wireless hybrid ANC.

2.1. Filtered-X least mean square algorithm

The primary goal of ANC is to generate the control signal played by the secondary source to cancel the noise. The control signal $y(n)$ is generated by the reference signal $x(n)$ passing through the control filter

$$y(n) = \mathbf{x}^T(n)\mathbf{w}(n), \quad (1)$$

where $\mathbf{w}(n)$ denotes the coefficients of the control filter, and the reference vector $\mathbf{x}(n)$ is given by

$$\mathbf{x}(n) = [x(n) \quad x(n-1) \quad \cdots \quad x(n-L+1)]^T, \quad (2)$$

in which L denotes the length of the control filter.

The error signal $e(n)$ received at the error microphone side is represented as

$$e(n) = d(n) - y(n) * s(n), \quad (3)$$

where $d(n)$ represents the disturbance arrived at the error microphone, and $s(n)$ stands for the impulse response of the secondary path from the secondary source to the error microphone.

In order to minimize the error signal, FXLMS algorithm is applied to update the coefficients of the control filter

$$\mathbf{w}(n+1) = \mathbf{w}(n) + \mu \mathbf{x}'(n)e(n), \quad (4)$$

where μ denotes the step size, and the filtered reference signal is given by

$$\mathbf{x}'(n) = \mathbf{x}(n) * \hat{s}(n), \quad (5)$$

where $\hat{s}(n)$ is the secondary path's estimated impulse response, which can be measured online or offline.

The FXLMS algorithm is commonly used in ANC to update the coefficients of the control filter. According to the updating equation, the reference signal is crucial for the effectiveness of the FXLMS algorithm. Consequently, wireless lookahead-aware ANC (WLANC) attempts to utilize wireless transmission to deliver enhanced information from the reference signal to the control filter.

2.2. Wireless lookahead aware ANC (WLANC)

In the implementation of WLANC, the wireless microphone is placed at the door of the room to receive the reference signal and transmit it to the control filter faster than the sound traveling through the air. To utilize this future sample of the reference signal, the wireless Lookahead aware ANC (WLANC) model [41] is applied to update the control filter

$$w_k(n+1) = w_k(n) + \mu \mathbf{x}'(n+k)e(n), \quad (6)$$

where $w_k(n)$ denotes the k th coefficient of the control filter ($k = 1, 2, \dots, L$) and is updated by the look-ahead reference signal transmitted by the wireless microphone and the control signal is generated by:

$$y(n) = \sum_{k=N}^{L+N} w_k(n)x(n+k), \quad (7)$$

where N denotes the lookahead samples brought by wireless transmission. This significant lookahead capability enhances the noise reduction efficacy of the ANC system.

The convergence speed is degraded in a multi-source environment with J reference microphones. To overcome this challenge, a frequency-domain adaptive filtering solution is applied [42]. DFT is applied to convert time-domain convolutions into frequency-domain multiplications. In the frequency domain, the coefficient of the adaptive filter is calculated in parallel in each frequency bin

$$W_j(f) \leftarrow W_j(f) + \mu_j(f)E^T(f)X_j(f)S(f), \quad j = 1, 2, \dots, J. \quad (8)$$

where $\mu_j(f)$ is the adaptive step size for j^{th} control filter

$$\mu_j(f) = \frac{\mu_j}{P_j(f)}. \quad (9)$$

Here, μ_j is a constant, and $P_j(f)$ is the measure of mean power in this specific frequency bin of the reference signal. Selecting different step sizes for different frequency bins also results in faster convergence speeds for signals with lower power.

2.3. Wirelss networked adaptive ANC with digital-twin FXLMS algorithm (WANC-DT)

Another application of the wireless technique to ANC is the wireless networked adaptive ANC with digital-twin FXLMS algorithm (WANC-DT). The wireless transmission collaborates with cloud computing technologies for the ANC system [50]. The reference and error signals are transmitted wirelessly to the cloud, where the control filter is updated on the cloud side (referred to as the digital twin) using the FxLMS algorithm. The updated coefficients are then sent back wirelessly to the local site to produce the control signal, as illustrated in Fig.1. In the digital twin, the reference signal is

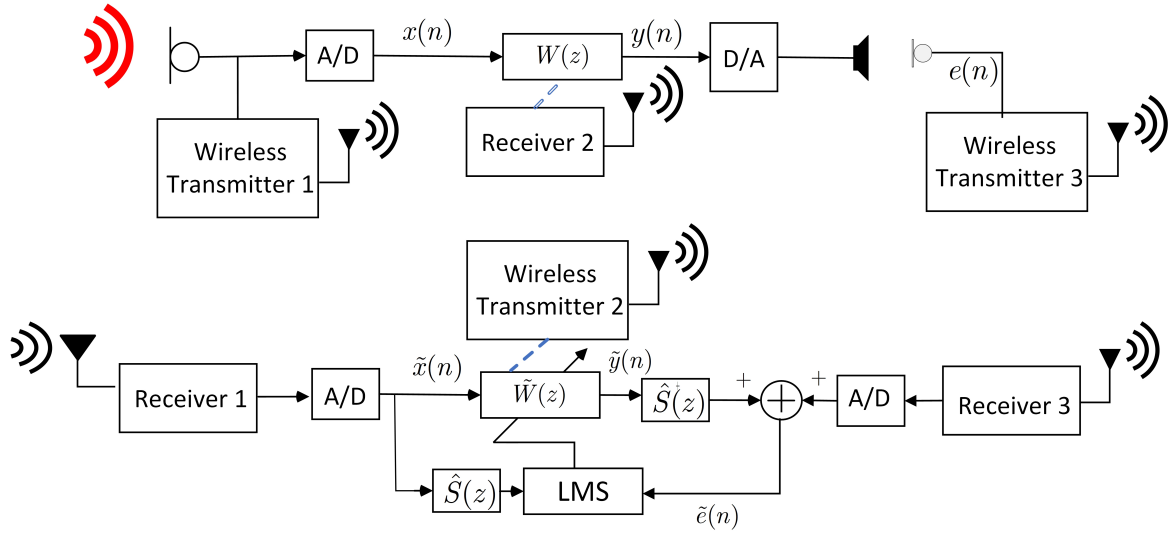


Figure 1: The block diagram of wireless networked adaptive ANC with digital-twin FXLMS algorithm

transmitted wirelessly from the local side

$$\tilde{\mathbf{x}}(n) = [x(n), x(n-1), \dots, x(n-L+1)], \quad (10)$$

and the error signal is calculated as

$$\tilde{e}(n) = e(n) + \hat{s}(n) * \tilde{y}^T(n). \quad (11)$$

The incremental vector, which contains the control filter coefficients, is downloaded to the local controller. Consequently, the local controller updates its control filter by

$$\mathbf{w}(n'+1) = \mathbf{w}(n') + \tilde{\mathbf{w}}(n+1), \quad (12)$$

where n' is the current time index in the local controller and $\tilde{\mathbf{w}}(n+1)$ denotes the coefficients updated in the digital twin.

The digital twin (DT)-FxLMS algorithm simplifies the local controller's tasks by eliminating the need to compute the filtered reference signal and update the control filter coefficients. Instead, the local controller focuses solely on generating the control signal in real-time and transmitting the sensing data to the cloud. Consequently, the computational burden of the DT-FxLMS algorithm on the local controller is nearly equivalent to that of employing a pre-trained fixed filter. However, since these methods transmit the reference, error, and control signals during the ANC process, the synchronization of the signal should be considered.

2.4. Wireless ANC with coherence-based-selection technique (WANC-CBS)

While the two above-mentioned algorithms wirelessly transmit the reference signal to the controller, they still capture the reference signal with a low RSIR. In a multi-source environment, the RSIR significantly impacts the noise reduction performance of the ANC system. The reference signal $x(n)$ of the ANC system is assumed to interfere with uncorrelated noise $v(n)$. RSIR is calculated as:

$$\text{RSIR} = \frac{\mathbb{E}[x^2(n)]}{\mathbb{E}[v^2(n)]} = \frac{\sigma_x^2}{\sigma_v^2}, \quad (13)$$

where $\mathbb{E}[\cdot]$, σ_x^2 , and σ_v^2 denote the expectation operator, and the variances of $x(n)$ and $v(n)$. The noise reduction performance is influenced by RSIR

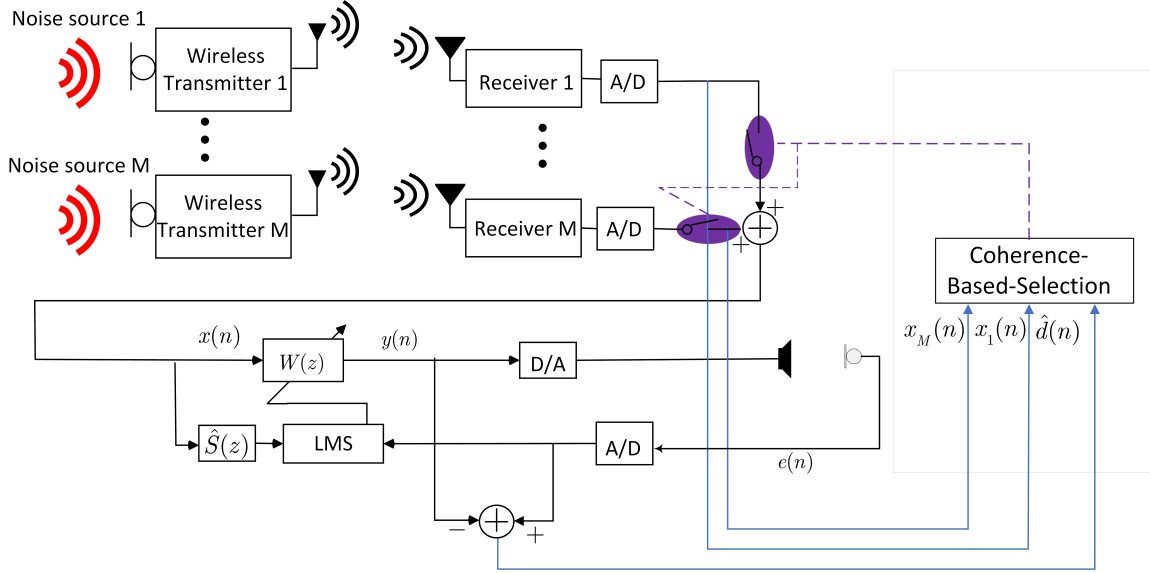


Figure 2: The block diagram of wireless ANC implemented with coherence-based selection method.

$$NR \leq 10 \log_{10} \left(\frac{L\sigma_x^2}{\sigma_v^2} \right) = 10 \log_{10}(L \cdot RSIR). \quad (14)$$

A low RSIR can adversely affect the ANC system's ability to reduce noise [43]. Employing wireless technology to capture the reference signal close to noise source can markedly enhance the RSIR, thereby improving the noise reduction performance of the ANC system.

To identify the reference signal received by the wireless microphone that contributes to the disturbance, a coherence-based selection method [51, 52] is applied in wireless ANC, illustrated in Fig.2. In a multi-source environment where M individual noise sources exist in the surroundings

$$\mathbf{x}(n) = [x_1(n), x_2(n), \dots, x_M(n)]. \quad (15)$$

The magnitude squared coherence (MSC) between m th reference signal collected by the wireless microphone and the estimated disturbance is calculated as

$$C_{x_m \hat{d}}(\omega) = \frac{1}{S_{\hat{d}\hat{d}}(\omega)} S_{x_m \hat{d}}^*(\omega) S_{x_m x_m}^{-1}(\omega) S_{x_m \hat{d}}(\omega), \quad (16)$$

where $m = 1, 2, \dots, M$, and ω denotes the frequency of interest. $S_{x_m \hat{d}}(\omega)$ represents the cross-power spectrum of the estimated disturbance $\hat{d}(n)$ and the reference signal $x_m(n)$. $S_{x_m x_m}(\omega)$ and $S_{\hat{d}\hat{d}}(\omega)$ denote the auto-power spectrum of $x_m(n)$ and $d(n)$, respectively. The estimated disturbance $\hat{d}(n)$ is calculated as

$$\hat{d}(n) = e(n) + y(n) * \hat{s}(n). \quad (17)$$

To select the reference signals that contribute to the disturbance and discard the ineffective reference signals, a threshold value of C_T is used

$$C_{x_m \hat{d}} \geq C_T. \quad (18)$$

Since the noise reduction performance is related to MSC, the threshold C_T can be determined by

$$C_T = 1 - 10^{(-NR/10)}, \quad (19)$$

where NR is the expected noise reduction at the error microphone side.

With the selection of the high-coherent reference signal, the wireless ANC system eliminates the need for unnecessary computations for low-coherent reference signals. Rather than just selecting or discarding the reference, an enhanced method that applies weight to the reference which is derived from MSC.

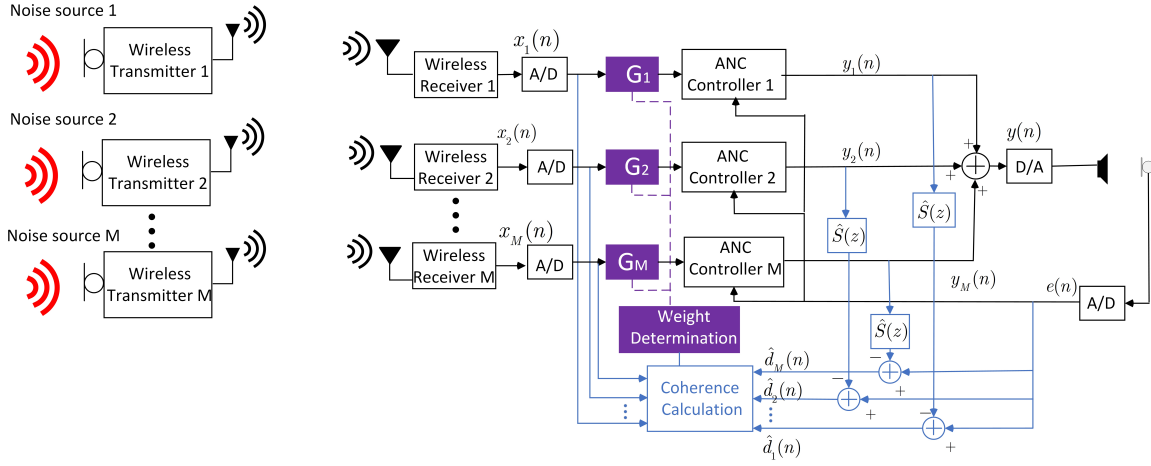


Figure 3: The block diagram of wireless ANC implemented with coherence-based weight determination method.

2.5. Wireless ANC with coherence-based weight determination technique (WANC-CWD)

To maximize the potential of the wireless reference signal, a coherence-based weight determination (CWD) technique [48] is proposed. This approach involves assigning weights to various references instead of merely selecting or discarding them. The block diagram depicting the wireless ANC incorporating CWD is illustrated in Fig. 3. Instead of CBS, CWD calculates the weight according to MSC

$$G_m = \begin{cases} 0, & C_m < C_{T1}, \\ \frac{C_m - C_{T1}}{C_{T2} - C_{T1}}, & C_{T1} < C_m < C_{T2}, m = 1, 2, \dots, M \\ 1. & C_m > C_{T2}. \end{cases} \quad (20)$$

where C_{T1} and C_{T2} is determined by

$$\begin{cases} C_{T1} = 1 - 10^{(-NR_1/10)}, \\ C_{T2} = 1 - 10^{(-NR_2/10)}, \end{cases} \quad (21)$$

where NR_1 and NR_2 represent the minimum and maximum noise reduction levels aimed to achieve at the error microphone. The received m th reference signal $x_m(n)$ is filtered by the m th control filter $W_m(z)$, and the output signal $y_m(n)$ is given by

$$y_m(n) = G_m \mathbf{x}_m^T(n) \mathbf{w}_m(n), \quad (22)$$

where $\mathbf{w}_m(n)$ is the weight vector of the m th control filter.

Both wireless ANC with the CBS and CWD receive the reference signal with a high RSIR, enhancing the noise reduction performance. However, these systems struggle to attenuate the unexpected noises that the wireless microphone does not pick up. Therefore, we introduce a hybrid wireless structure in the following section.

2.6. Wireless hybrid ANC with error separation module (WHANC-ESM)

Given that a wireless microphone can only attenuate noise that has been previously identified, it fails to deal with the noise that occurs unexpectedly in the environment. To overcome this limitation and improve noise reduction performance, a hybrid approach combining wireless and conventional microphones is utilized. This strategy not only attenuates uncorrelated noise but also helps in improving overall noise reduction performance [44], as depicted in Fig.4.

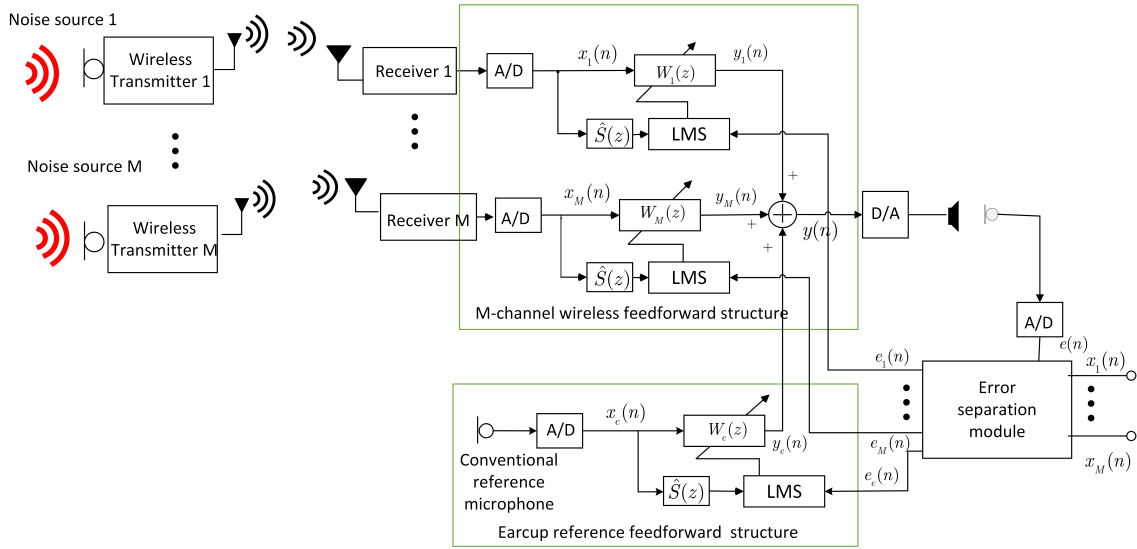


Figure 4: The block diagram of wireless hybrid ANC implemented with error separation module.

The control signal is generated by the wireless reference signal $\mathbf{x}_m(n)$ and the conventional reference signal $\mathbf{x}_e(n)$

$$y(n) = \sum_{m=1}^M y_m(n) + y_e(n), \quad (23)$$

where $y_e(n)$ and $y_m(n)$ represent the output of $W_e(z)$ and $W_m(z)$, separately

$$\begin{cases} y_m(n) = \mathbf{x}_m^T(n) \mathbf{w}_m(n), & m = 1, 2, \dots, M \\ y_e(n) = \mathbf{x}_e^T(n) \mathbf{w}_e(n). \end{cases} \quad (24)$$

The error separation module (ESM) employs the separated error signal to update the adaptive filters $W_m(z)$ for the wireless reference signal and $W_e(z)$ for the conventional reference signal, respectively. The separated error signal for the m th channel is generated using the filter $H_m(z)$, as

$$e_m(n) = \mathbf{x}_m^T(n) \mathbf{h}_m(n), \quad m = 1, 2, \dots, M. \quad (25)$$

where $\mathbf{h}_m(n) = [h_{m1}(n), \dots, h_{mL}(n)]^T$ represents the coefficients of the m th adaptive filter. The error signal used to update $W_e(z)$ is obtained from

$$e_e(n) = e(n) - \sum_{m=1}^M e_m(n). \quad (26)$$

and the coefficients of $H_m(z)$ is updated with step size μ_h

$$\mathbf{h}_m(n+1) = \mathbf{h}_m(n) + \mu_h \mathbf{x}_m(n) e_{am}(n), \quad (27)$$

where $e_{am}(n)$ is the subtraction of the measured error signal $e(n)$ and the output of the filter $H_m(z)$. In this hybrid structure, the wireless microphone captures the identified reference signal, while a conventional microphone is used to detect unexpected environmental noise. By integrating these two components, the hybrid wireless ANC system effectively attenuates unexpected noise.

2.7. Wireless hybrid ANC with fixed-adaptive control selection technique (WHANC-FAS)

An alternative approach to attenuating the uncorrelated noise is using a combination of feedforward-feedback structure, as shown in Fig.5. The feedforward ANC control filter deals with

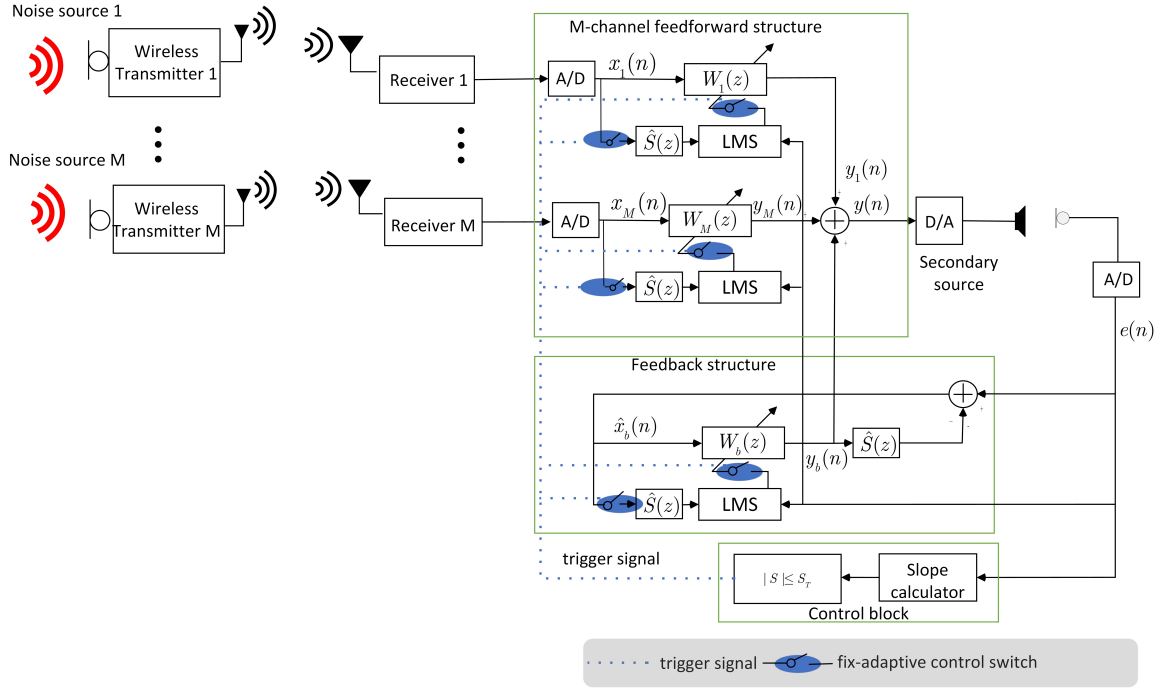


Figure 5: The block diagram of wireless hybrid ANC implemented with fixed-adaptive control selection.

the wireless reference signal, while the feedback control filter attenuates uncorrelated noise. The output of the control filters $y_m(n)$ and $y_b(n)$ are calculated as

$$\begin{cases} y_m(n) = \mathbf{x}_m^T(n) \mathbf{w}_m(n), & m = 1, 2, \dots, M. \\ y_b(n) = \hat{\mathbf{x}}_b^T(n) \mathbf{w}_b(n), \end{cases} \quad (28)$$

where $\mathbf{w}_m(n)$ and $\mathbf{w}_b(n)$ denote the coefficient of feedforward control filter $W_m(z)$ and feedback control filter $W_b(z)$. The estimated input for the feedback control filter is calculated as

$$\hat{x}_b(n) = e(n) + y_b(n) * \hat{s}(n), \quad (29)$$

To reduce the computation complexity, a fixed-adaptive control selection (FAS) is applied and divides the whole ANC process into three states [53]

– State 1: Training Mode:

$$\begin{cases} \mathbf{w}_m(n+1) = \mathbf{w}_m(n) - \mu_f \mathbf{x}'_m(n) e(n), \\ \mathbf{w}_b(n+1) = \mathbf{0}. \end{cases} \quad (30)$$

– State 2: Steady-state Mode:

$$\begin{cases} \mathbf{w}_m(n+1) = \mathbf{w}_m(n), & m = 1, 2, \dots, M. \\ \mathbf{w}_b(n+1) = \mathbf{w}_b(n). \end{cases} \quad (31)$$

– State 3: (Near Field) Interference Mode:

$$\begin{cases} \mathbf{w}_b(n+1) = \mathbf{w}_b(n) - \mu_b \mathbf{x}'_b(n) e(n), \\ \mathbf{w}_m(n+1) = \mathbf{w}_m(n), & m = 1, 2, \dots, M. \end{cases} \quad (32)$$

If there is no unexpected noise occurring in the environment, WHANC-FAS initially transits to State 1 and updates the coefficients for the M feedforward control filter. Once the algorithm converges, FAS forces the state change to State 2, where the coefficients of the control filters are fixed and no further updates are made to save computation complexity. When WHANC-FAS detects the unexpected noise that is not captured by the wireless microphone, the algorithm switches to State 3, during which it begins updating the feedback control filter until convergence is achieved.

2.8. Comparative evaluation of wireless ANC

Multiple algorithms are applied to wireless ANC to improve the convergence performance, as detailed in Table 1. WLANC uses reference signals with advanced knowledge and processes the control filter in the frequency domain to increase convergence speed. WANC-DT shifts the adaptive updating process to the cloud controller, thereby reducing the computational complexity at the local level. However, both utilize the mixed reference signals and do not exhibit improved noise reduction performance. WANC-CBS and WANC-CWD position the wireless microphone close to the noise source to capture the reference signal with a high RSIR, which enhances noise reduction performance. However, these feedforward wireless ANC systems do not effectively cancel the unexpected noises. WHANC-ESM and WHANC-FAS employ conventional microphones or feedback structures to address unexpected noise and improve the noise reduction performance of wireless ANC.

3. APPLICATIONS OF WIRELESS ANC

Wireless ANC technology finds extensive application across various devices. In wireless ANC headphones, a wireless receiver is utilized to capture reference signals, control signals, and error signals. For wireless ANC headrests, the wireless microphones positioned on the ground capture the reference signals for the control filter implemented inside the headrest. Meanwhile, wireless windows employ the wireless microphones outside the building to receive reference signals.

The adoption of wireless technology in ANC earbuds and headphones is widespread. An advanced ANC earbud integrates the reference microphone, controller, and wireless module within the charging case, whereas the speaker and error microphone are embedded within the earbud. Control signals are wirelessly sent from the charging case to the earbud, and error signals are sent back from the earbud to the charging case [47]. This configuration helps to reduce the computation burden of the earbud since all the calculations are completed in the charging case. Placing the wireless transmitter in proximity to noise sources enables the delivery of reference signals to the headphone's controller [53]. This arrangement significantly increases the distance between the reference and error microphones ($d_e - d_r$) compared to traditional ANC headphones, providing additional lookahead time $(d_e - d_r)/v_{\text{sound}}$ for the ANC control filter to process the control signal. Another innovation involves wireless IoT-based noise cancellation, which transmits ambient noise data to headphones via wireless connections and attenuates multiple noise sources using an IoT node network. [42].

The wireless ANC headrest [45] features the wireless microphone on the ground to wirelessly send the reference signal to the control filter located behind the head. The headrest in the car, equipped with wireless transmission, can receive improved reference signals from the road and engine, thereby improving noise reduction performance. This setup includes two secondary speakers and two error microphones, providing quiet zones for both the left and right ears.

The concept of wireless ANC has been adapted for use in residential windows, enabling comprehensive noise control throughout an entire window [43]. The ANC controller, situated near the windows, generates control signals to attenuate noises. The wireless microphone can be positioned anywhere to capture potential noise and transmit the reference signal to multiple ANC controllers, facilitating noise reduction throughout the entire building. Additionally, the use of wireless microphones allows ANC windows to reduce noise whether they are open or closed, as the

Table 1: Comparative evaluation of the different types of wireless ANC algorithm

Algorithms	Advantages	Disadvantages
WLANC	<ul style="list-style-type: none"> · Applies future samples of reference signals. · Frequency-domain adaptive filtering increases the convergence speed 	<ul style="list-style-type: none"> · DFT increases computation burden and time delay. · Received mixed reference signals.
WANC-DT	<ul style="list-style-type: none"> · Apply cloud controller to reduce the computation complexity of local controller. 	<ul style="list-style-type: none"> · Signal synchronization issues for wireless transmission of reference, error and control signal. · Noise reduction performance is not improved.
WANC-CBS	<ul style="list-style-type: none"> · Select the coherent wireless reference signal, avoiding unnecessary computation and improving the noise reduction performance. 	<ul style="list-style-type: none"> · Need to place wireless microphone in front of the noise in advance. · Can't deal with the uncorrelated noise that occurred in the environment.
WANC-CWD	<ul style="list-style-type: none"> · Add a calculated weight value to the wireless reference signal according to coherence to improve noise reduction. 	
WHANC-ESM	<ul style="list-style-type: none"> · Attenuate the unexpected noise. · ESM provides the separated error to improve the convergence speed. 	<ul style="list-style-type: none"> · Additional conventional microphone and ESM increase the computation complexity.
WHANC-FAS	<ul style="list-style-type: none"> · Deal with unexpected noise. · FAS determines whether to adaptively update the control filter to reduce the computation burden. 	<ul style="list-style-type: none"> · For unexpected noise cancellation, only be able to attenuate uncorrelated narrowband noise.

wireless signal can penetrate glass and walls.

4. CONCLUSION

This paper has reviewed the integration of wireless technologies into ANC systems and discussed various algorithms developed for wireless ANC. Time-domain and frequency-domain lookahead-aware algorithms in wireless ANC supplied advanced reference samples to enhance convergence speed. The digital-twin FXLMS algorithm utilized both local and cloud controllers to minimize computational complexity. However, both approaches utilized mixed reference signals, which degraded noise reduction performance. For the noise source which can be identified in advance, wireless ANC with coherence-based selection and coherence-based weight determination were applied with the high reference signal-to-interference ratio signals. Additionally, to deal with unexpected noise in the environment, the error separation module and fixed-adaptive control selection were incorporated into the wireless hybrid ANC with the increased computational complexity. These advancements have expanded the use of wireless ANC in devices like earbuds, headphones, headrests, and windows. With the continuous development of IoT networks and wireless technologies, further improvements and broader applications of wireless ANC are expected.

ACKNOWLEDGEMENTS

This research is supported by the Singapore Ministry of Education Academic Research Fund Tier 2 (Award No. MOE-T2EP50122-0018).

REFERENCES

1. Sen M Kuo and Dennis R Morgan. *Active noise control systems*, volume 4. Wiley Interscience, , New York, 1996.
2. SJ Elliot and PA Nelson. Active noise control. *Noise News International*, 2(2):75–98, 1994.
3. Colin N Hansen. *Understanding active noise cancellation*. CRC Press, 1999.
4. Yoshinobu Kajikawa, Woon-Seng Gan, and Sen M. Kuo. Recent advances on active noise control: open issues and innovative applications. *APSIPA Transactions on Signal and Information Processing*, 1:e3, 2012.
5. Xiaojun Qiu, Xun Li, Yanting Ai, and Colin H. Hansen. A waveform synthesis algorithm for active control of transformer noise: implementation. *Applied Acoustics*, 63(5):467–479, 2002.
6. Bhan Lam, Woon-Seng Gan, DongYuan Shi, Masaharu Nishimura, and Stephen Elliott. Ten questions concerning active noise control in the built environment. *Building and Environment*, 200:107928, 2021.
7. Dongyuan Shi, Woon-Seng Gan, Bhan Lam, Shulin Wen, and Xiaoyi Shen. Active noise control based on the momentum multichannel normalized filtered-x least mean square algorithm. In *INTER-NOISE and NOISE-CON Congress and Conference Proceedings*, pages 709–719. Institute of Noise Control Engineering, 2020.
8. Dongyuan Shi, Woon-Seng Gan, Jianjun He, and Bhan Lam. Practical implementation of multichannel filtered-x least mean square algorithm based on the multiple-parallel-branch with folding architecture for large-scale active noise control. *IEEE Transactions on Very Large Scale Integration (VLSI) Systems*, 28(4):940–953, 2019.
9. Jihui Zhang, Thushara D Abhayapala, Wen Zhang, Prasanga N Samarasinghe, and Shouda Jiang. Active noise control over space: A wave domain approach. *IEEE/ACM Transactions on audio, speech, and language processing*, 26(4):774–786, 2018.
10. Junqing Zhang, Wen Zhang, Jihui Aimee Zhang, Thushara Dheemantha Abhayapala, and Lijun Zhang. Spatial active noise control in rooms using higher order sources. *IEEE/ACM Transactions on Audio, Speech, and Language Processing*, 29:3577–3591, 2021.
11. Jinfu Wang, Feiran Yang, Zhaoli Yan, and Jun Yang. Design of frequency-invariant uniform concentric circular arrays with first-order directional microphones. *Signal Processing*, 217:109330, 2024.
12. Hao Zhang and DeLiang Wang. Deep mcanc: A deep learning approach to multi-channel active noise control. *Neural Networks*, 158:318–327, 2023.
13. Yongjie Zhuang and Yangfan Liu. Constrained optimal filter design for multi-channel active noise control via convex optimization. *The Journal of the Acoustical Society of America*, 150(4):2888–2899, 2021.
14. Mingsian R Bai and Hsiuhong Chen. Active cancellation of noise in a car cabin using the zero spillover controller. *Journal of sound and vibration*, 235(5):787–800, 2000.
15. Prasanga N Samarasinghe, Wen Zhang, and Thushara D Abhayapala. Recent advances in active noise control inside automobile cabins: Toward quieter cars. *IEEE Signal Processing Magazine*, 33(6):61–73, 2016.
16. Shuping Wang, Hang Li, Pengju Zhang, Jiancheng Tao, Haishan Zou, and Xiaojun Qiu. An experimental study on the upper limit frequency of global active noise control in car cabins. *Mechanical Systems and Signal Processing*, 201:110672, 2023.

17. Dongyuan Shi, Bhan Lam, Woon-Seng Gan, and Jordan Cheer. Active noise control in the new century: The role and prospect of signal processing. *arXiv preprint arXiv:2306.01425*, 2023.
18. Hsiao Mun Lee, Yuting Hua, Zhaomeng Wang, Kian Meng Lim, and Heow Pueh Lee. A review of the application of active noise control technologies on windows: Challenges and limitations. *Applied Acoustics*, 174:107753, 2021.
19. Junwei Ji, Dongyuan Shi, Woon-Seng Gan, Xiaoyi Shen, and Zhengding Luo. A computation-efficient online secondary path modeling technique for modified fxlms algorithm. *arXiv preprint arXiv:2306.11408*, 2023.
20. ByoungHo Kwon and Youngjin Park. Interior noise control with an active window system. *Applied Acoustics*, 74(5):647–652, 2013.
21. Bhan Lam, Dongyuan Shi, Woon-Seng Gan, Stephen J Elliott, and Masaharu Nishimura. Active control of broadband sound through the open aperture of a full-sized domestic window. *Scientific reports*, 10(1):1–7, 2020.
22. DongYuan Shi, Woon-Seng Gan, Bhan Lam, and Chuang Shi. Two-gradient direction fxlms: An adaptive active noise control algorithm with output constraint. *Mechanical Systems and Signal Processing*, 116:651–667, 2019.
23. Tong Xiao, Benjamin Halkon, Shuping Wang, Sebastian Oberst, and Xiaojun Qiu. Refracto-vibrometry for active control of sound radiation through an opening. *Journal of Sound and Vibration*, page 118242, 2024.
24. Xiaoyi Shen, Dongyuan Shi, Woon-Seng Gan, and Santi Peksi. Adaptive-gain algorithm on the fixed filters applied for active noise control headphone. *Mechanical Systems and Signal Processing*, 169:108641, 2022.
25. Yu Maeno, Yuki Mitsufuji, Prasanga N Samarasinghe, Naoki Murata, and Thushara D Abhayapala. Spherical-harmonic-domain feedforward active noise control using sparse decomposition of reference signals from distributed sensor arrays. *IEEE/ACM Transactions on Audio, Speech, and Language Processing*, 28:656–670, 2019.
26. Jordan Cheer, Vinal Patel, and Simone Fontana. The application of a multi-reference control strategy to noise cancelling headphones. *The Journal of the Acoustical Society of America*, 145(5):3095–3103, 2019.
27. Xiaoyi Shen, Woon-Seng Gan, and Dongyuan Shi. Alternative switching hybrid anc. *Applied Acoustics*, 173:107712, 2021.
28. Xiaoyi Shen, Dongyuan Shi, Zhengding Luo, Junwei Ji, and Woon-Seng Gan. A momentum two-gradient direction algorithm with variable step size applied to solve practical output constraint issue for active noise control. In *ICASSP 2023-2023 IEEE International Conference on Acoustics, Speech and Signal Processing (ICASSP)*, pages 1–5. IEEE, 2023.
29. Yahong Rosa Zheng, Rafik A Goubran, and Mohamed El-Tanany. Experimental evaluation of a nested microphone array with adaptive noise cancellers. *IEEE Transactions on Instrumentation and Measurement*, 53(3):777–786, 2004.
30. Lichuan Liu, Yang Li, and Sen M Kuo. Feed-forward active noise control system using microphone array. *IEEE/CAA Journal of Automatica Sinica*, 5(5):946–952, 2018.
31. Hai Liu, Song Liu, Anton A Shkel, and Eun Sok Kim. Active noise cancellation with mems resonant microphone array. *Journal of Microelectromechanical Systems*, 29(5):839–845, 2020.
32. Satoshi Kinoshita and Yoshinobu Kajikawa. Multi-channel feedforward anc system combined with noise source separation. In *2015 Asia-Pacific Signal and Information Processing Association Annual Summit and Conference (APSIPA)*, pages 379–383. IEEE, 2015.
33. Kenta Iwai, Satoshi Kinoshita, and Yoshinobu Kajikawa. Multichannel feedforward active noise control system combined with noise source separation by microphone arrays. *Journal of Sound and Vibration*, 453:151–173, 2019.

34. S Hu, Rajesh Rajamani, and X Yu. Directional cancellation of acoustic noise for home window applications. *Applied Acoustics*, 74(3):467–477, 2013.
35. Huiyuan Sun, Thushara D Abhayapala, and Prasanga N Samarasinghe. A realistic multiple circular array system for active noise control over 3d space. *IEEE/ACM Transactions on Audio, Speech, and Language Processing*, 28:3041–3052, 2020.
36. Satoru Hase, Yoshinobu Kajikawa, Lichuan Liu, and Sen M Kuo. Multi-channel anc system using optimized reference microphones based on time difference of arrival. In *2015 23rd European Signal Processing Conference (EUSIPCO)*, pages 305–309. IEEE, 2015.
37. Chung-Ying Ho, Lichuan Liu, Kuo-Kai Shyu, Sen M Kuo, and Cheng-Yuan Chang. Time-division multiple reference approach for multiple-channel active noise control system. *Journal of Sound and Vibration*, 495:115922, 2021.
38. Masaichi Akiho, Miki Haseyama, and Hideo Kitajima. A practical method to reduce a number of reference signals for the anc system. In *1999 IEEE International Conference on Acoustics, Speech, and Signal Processing. Proceedings. ICASSP99 (Cat. No. 99CH36258)*, volume 4, pages 2387–2390. IEEE, 1999.
39. DP Yang, DF Song, XH Zeng, XL Wang, and XM Zhang. Adaptive nonlinear anc system based on time-domain signal reconstruction technology. *Mechanical Systems and Signal Processing*, 162:108056, 2022.
40. Kai Chen, Roshun Paurobally, Jie Pan, and Xiaojun Qiu. Improving active control of fan noise with automatic spectral reshaping for reference signal. *Applied Acoustics*, 87:142–152, 2015.
41. Sheng Shen, Nirupam Roy, Junfeng Guan, Haitham Hassanieh, and Romit Roy Choudhury. Mute: Bringing iot to noise cancellation. In *Proceedings of the 2018 Conference of the ACM Special Interest Group on Data Communication*, pages 282–296, 2018.
42. Ishani Janveja, Jiaming Wang, Junfeng Guan, Suraj Jog, and Haitham Hassanieh. Winc: A wireless iot network for multi-noise source cancellation. In *Proceedings of the 22nd International Conference on Information Processing in Sensor Networks*, pages 110–122, 2023.
43. Xiaoyi Shen, Junwei Ji, Dongyuan Shi, Zhengding Luo, and Woon-Seng Gan. The principle underlying the wireless reference microphone enhancing noise reduction performance in multi-channel active noise control windows. *Mechanical Systems and Signal Processing*, 212:111284, 2024.
44. Xiaoyi Shen, Dongyuan Shi, and Woon-Seng Gan. A hybrid approach to combine wireless and earcup microphones for anc headphones with error separation module. In *ICASSP 2022-2022 IEEE International Conference on Acoustics, Speech and Signal Processing (ICASSP)*, pages 8702–8706. IEEE, 2022.
45. Xiaoyi Shen, Dongyuan Shi, Santi Peksi, and Woon-Seng Gan. Implementations of wireless active noise control in the headrest. In *INTER-NOISE and NOISE-CON Congress and Conference Proceedings*, volume 265, pages 3445–3455. Institute of Noise Control Engineering, 2023.
46. Chuang Shi, Zhongxing Yuan, Rong Xie, and Huiyong Li. Simultaneous variable perturbation method for the active noise control system with a wireless error microphone. In *2020 Asia-Pacific Signal and Information Processing Association Annual Summit and Conference (APSIPA ASC)*, pages 283–287. IEEE, 2020.
47. Yu Luo and Lina Pu. Ec-anc: Edge case-enhanced active noise cancellation for true wireless stereo earbuds. *IEEE/ACM Transactions on Audio, Speech, and Language Processing*, 30:1436–1447, 2022.
48. Xiaoyi Shen, Dongyuan Shi, Santi Peksi, and Woon-Seng Gan. A multi-channel wireless active noise control headphone with coherence-based weight determination algorithm. *Journal of Signal Processing Systems*, 94(8):811–819, 2022.

49. Lichuan Liu, Lilin Du, and Ajit Kolla. Wireless communication integrated hybrid active noise control system for infant incubators. In *2016 IEEE Signal Processing in Medicine and Biology Symposium (SPMB)*, pages 1–6. IEEE, 2016.
50. Chuang Shi, Feiyu Du, and Qianyang Wu. A digital twin architecture for wireless networked adaptive active noise control. *IEEE/ACM Transactions on Audio, Speech, and Language Processing*, 30:2768–2777, 2022.
51. Xiaoyi Shen, Dongyuan Shi, Woon-Seng Gan, and Santi Peksi. Implementation of coherence-based-selection multi-channel wireless active noise control in headphone. In *INTER-NOISE and NOISE-CON Congress and Conference Proceedings*, pages 1945–1953. Institute of Noise Control Engineering, 2021.
52. Xiaoyi Shen, Dongyuan Shi, and Woon-Seng Gan. A wireless reference active noise control headphone using coherence based selection technique. In *ICASSP 2021 - 2021 IEEE International Conference on Acoustics, Speech and Signal Processing (ICASSP)*, pages 7983–7987, 2021.
53. Xiaoyi Shen, Woon-Seng Gan, and Dongyuan Shi. Multi-channel wireless hybrid active noise control with fixed-adaptive control selection. *Journal of Sound and Vibration*, 541:117300, 2022.