

# Dual comb-enhanced microwave clock synchronization over commercial fiber

Ziyang Chen,<sup>1</sup> Dongrui Yu,<sup>1</sup> Ganbin Lu,<sup>2</sup> Yufei Zhang,<sup>1</sup> Song Yu,<sup>2</sup> Bin Luo,<sup>2,\*</sup> and Hong Guo<sup>1,†</sup>

<sup>1</sup>*State Key Laboratory of Advanced Optical Communication Systems and Networks, School of Electronics, and Center for Quantum Information Technology, Peking University, Beijing 100871, China*

<sup>2</sup>*State Key Laboratory of Information Photonics and Optical Communications, Beijing University of Posts and Telecommunications, Beijing 100876, China*

(Dated: April 16, 2024)

The large-scale clock network is the key ingredient to obtain high precision in many scenarios, from fundamental research to cutting-edge applications. However, time synchronization among microwave clocks has become an upper limit of the time-frequency network because of the inherent constrained precision in optical pulse measurements. Here, we demonstrate a femtosecond-level time synchronization of microwave clocks through a commercial link of 205.86 km via dual comb-enhanced optical two-way time transfer, which achieves a 6.23-fs residual time deviation between synchronized timescales at 1 s and an instability below  $6 \times 10^{-18}$  at 10,000 s. Further, the high-precision time synchronization of microwave clocks significantly enhances the probe ability of subtle reciprocity changes of fiber to the sub-picosecond level. This work provides a path toward secure fiber time-frequency networks to support future microwave clock-based precise timing and sensing systems.

## INTRODUCTION

High-precision clock networks offer the fundamental technical foundation for numerous scenarios, including positioning, navigation, timing [1–3], sensitive probes [4–6], and fundamental physics testing [7–10]. The enormous benefits are unleashed through the full interconnection between any two nodes in a hybrid network of optical clocks and microwave clocks. In particular, the time-frequency transfer over both fiber and free-space optical links has seen tremendous progress [11–30]. The ultra-high precision frequency comparison has been achieved using well-established optical frequency transfer techniques by directly disseminating stable frequency signals [14–16, 25, 26], whereas the timescale comparison requires an exchange of a series of labeled optical pulses generated by frequency standards [11–13, 17–24]. Since the optical two-way time transfer (OTWTT) method uses the reciprocity of bi-directional light travel to eliminate most of the common-mode noises and the link drift [31, 32], the measurement of optical pulses has become the key to improving the precision for time transfer.

Remarkably, in recent years, time transfer has been significantly improved by using optical measurement methods, specifically linear optical sampling (LOS) [33], to overcome the limitation of the picosecond-level uncertainty caused by the photoelectronic detection of pulses [13, 17–24, 34, 35]. State-of-the-art time-programmable frequency comb technology has even pushed the time synchronization to the quantum-limited region [11, 12]. Despite great improvement of the synchronization capability between optical clocks [12, 13, 21] and between optical and microwave clocks [22, 23], the re-

ported time synchronization between remote microwave clocks remains limited by the precision of photodetectors and time-interval counters (TICs) [36], so the full potential of high-precision time-frequency networks has not been realized.

In the time synchronization of two microwave clocks, the electrical measurement has not been replaced by the optical approach because a phase coherence of independent optical frequency combs (called combs for simplicity) at both local and remote sites, which is a necessary requirement for performing stable and low-jitter interference, is challenging to establish. Specifically, microwave-to-microwave synchronization is difficult because both reference and synchronized clocks have greater phase noise than optical clocks and the pulse coherence is reduced by propagation-induced pulse impairments.

To overcome the limitations imposed by measurement devices on the time synchronization of microwave clocks, here, we propose a tight microwave-clock time synchronization scheme based on the dual comb-enhanced OTWTT and provide a demonstration over 205.86 km commercial fiber. We achieved a 6.23-fs residual time deviation between synchronized timescales at 1 s and an instability below  $6 \times 10^{-18}$  at 10,000 s due to a series of breakthroughs. The intensity-encoded comb pulses were measured using a Kalman filter-assisted LOS, where the centroids of reference and target interferograms at each site served as the start and stop times of the time interval, to reduce the impact of the intensity noise and pulse distortion on the peak measurements. We used the phase time of the pulse envelope instead of the carrier phase for time synchronization [20] to remove the limit of the carrier envelope offset (CEO) frequency, since the stable carrier phase is vulnerable to fluctuations in independent sources and fiber transmission. Dispersion compensation, fully automatic polarization control, and real-time feedback are essential to guarantee the mutual optical coherence.

\* E-mail: [luobin@bupt.edu.cn](mailto:luobin@bupt.edu.cn)

† E-mail: [hongguo@pku.edu.cn](mailto:hongguo@pku.edu.cn)

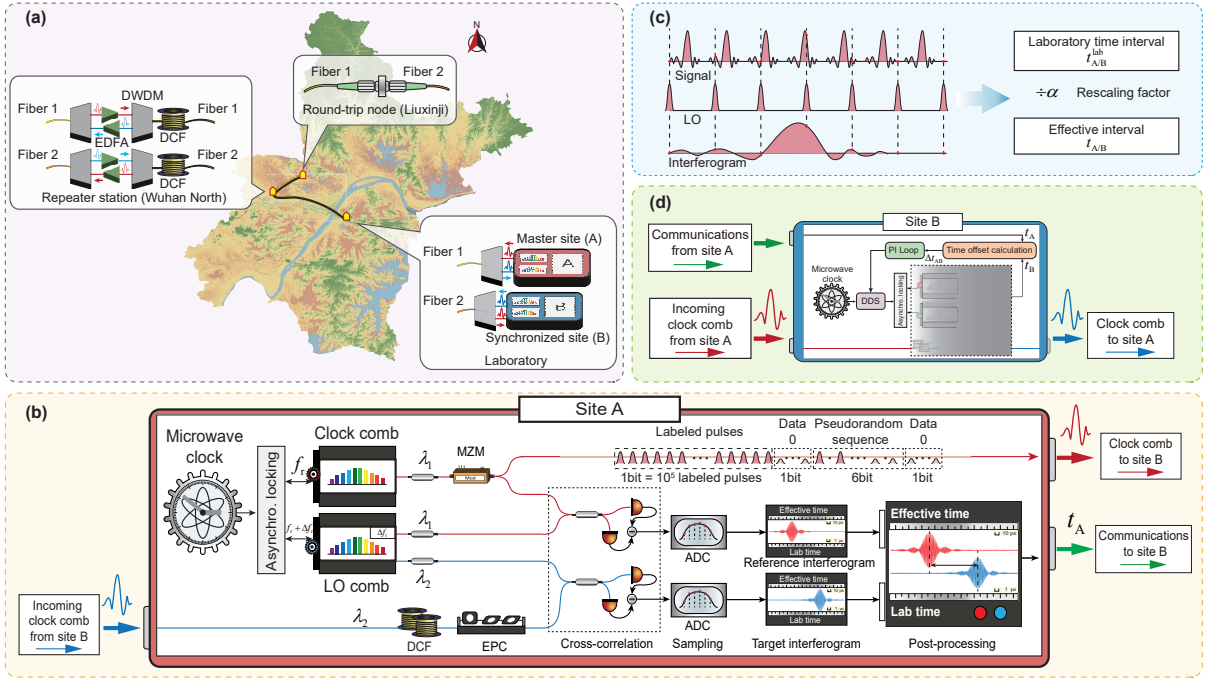


FIG. 1. **Schematic of the microwave clock time synchronization.** (a) Block diagram of the experimental link. Two microwave clock-based optical timescales at two sites are synchronized over two geographically folded optical fibers linked in Liuxinji with the one-way link length of 205.86 km. Two repeater stations are co-located at Wuhan North to recover the impairments of optical pulses. DWDM: dense wavelength division multiplexing; DCF: dispersion compensating fiber; EDFA: erbium doped fiber amplifier. (b) Detailed configuration of site A. The repetition frequencies of the clock comb and local oscillator (LO) comb, which has a small frequency offset  $\Delta f_r = 1$  kHz, are phase-locked to a microwave clock using an asynchronous locking system. The clock comb filters an output centered at  $\lambda_1$  (1,551.72 nm) followed by a Mach-Zehnder modulator (MZM). One split modulated comb with a filtered LO comb filter centered at  $\lambda_1$  is used for cross-correlation, which is followed by an analog-to-digital converter (ADC) to generate reference interferograms. Another output of the modulated comb is split for transmission. MZM is used to encode time markers to remove the ambiguity. Another output centered at  $\lambda_2$  (1,550.12 nm) of the LO comb is filtered with the incoming clock comb compensated by a DCF and an in-line electronic polarization controller (EPC) to generate the target interferograms. Post-processing is performed to calculate the time difference  $t_A$ ; then, the data are sent to site B using a modulated laser. The out-of-loop verification part is not shown here. (c) Principle of linear optical sampling. (d) Simplified configuration of site B. Site B is identical to site A, except that all of the positions of wavelengths  $\lambda_1$  and  $\lambda_2$  are exchanged, and a synchronization feedback system is added, which contains a real-time time offset calculation, a proportional integral (PI) loop filter and a direct digital synthesizer (DDS).

An interesting extension of the fiber-based time synchronization is the perception of subtle reciprocity changes of the fiber, which enhances the ability against potential delay attacks [37–39]. We achieved sub-picosecond (ps)-level sensing of asymmetric delay attacks within 200 kilometers, which significantly surpasses the capabilities of the existing TIC measurement instruments of a sub-nanosecond level [37].

The improvement in microwave clock synchronization capabilities has greatly expanded the application range of the entire high-precision clock networks.

## RESULTS

**Experimental layout.** The experiment was performed in Wuhan commercial link. As shown in Fig. 1 (a), two sites A and B are adjacent to each other and located at Wuhan laboratory with independent rubidium

clocks to easily quantify the residual transfer noise. The master site (site A) and the synchronized site (site B) were connected through two geographically folded optical fibers linked in Liuxinji (round-trip node), and the total link length was 205.86 km (the total link loss was 57.18 dB). The long-haul fiber transmission necessitated the installation of two optical repeater stations at Wuhan North, each of which contained an erbium-doped fiber amplifier (EDFA) and a dispersion compensating fiber (DCF) along the terrestrial link to recover the signal impairments caused by loss and dispersion. OTWTT was achieved by using the dense wavelength division multiplexing (DWDM) technology over the shared fiber link.

**Dual comb-based LOS measurement.** At each site, we used a dual comb-based LOS measurement to replace the TIC in the measurement of pulses generated by microwave clocks. As shown in Fig. 1 (b), at each site, we first created a local timescale by phase-locking

the repetition frequency of the  $f_r = 100$ -MHz comb to the local microwave clock, which served as the clock comb. Then, a 100.001-MHz comb, which was also locked to the local clock, output optical pulses with a repetition frequency offset by  $\Delta f_r = 1$  kHz relative to the clock comb, which served as the local oscillator (LO) comb to sample clock combs for performing LOS, as shown in Fig. 1 (c). Phase locking was achieved with a locking-induced noise of 45 fs (time deviation at 1 s) through an asynchronous locking system (see Methods).

Both combs had center frequencies of 1,560 nm and a 3-dB spectrum bandwidth of approximately 15 nm. The spectral effectively covered the commonly used C-band range in fiber optic communication, which is necessary for two-way transmission. Here, we directly applied the international-telecommunication-union-standard (ITU) DWDM module to the output of each comb to generate band-limited pulses with different spectra. We filtered the LO comb to generate two outputs with a bandwidth of 0.8 nm (100 GHz), which were centered at 1,551.72 nm (ITU-C32) and 1,550.12 nm (ITU-C34). We filtered the clock comb to generate an output centered at ITU-C32 (for Site A) or ITU-C34 (for Site B). Since directly using the LOS for synchronization will introduce the ambiguity of  $1/f_r = 10$  ns, which causes cycle slips, we provided an unambiguous synchronization method by encoding time markers on the optical pulse using Mach-Zehnder modulator (MZM) (Methods). For each site, the output after the intensity modulator was separated into two parts. One part was sent to the link for transmission with the output power of 1 mW; the other part was to generate the local reference interferogram.

The use of DWDM offered two advantages. First, the spectral bandwidth of the filtered comb signals were limited to stay below Nyquist condition:  $f_r^2/(2\Delta f_r)$  [24]. Second, combs with a constrained optical bandwidth could better propagate through fibers to decrease the dispersion and nonlinear effects [40]. However, this behavior increases the uncertainty of timing discrimination compared to the free-space scenario with narrower pulses (where the typical pulse width is 0.1-1 ps) [21].

At each site, two cross-correlations were generated. The reference interferogram was generated by the cross-correlation between the LO comb and the local clock comb. The target interferogram was generated by the cross-correlation between the LO comb and the incoming clock comb from the remote site, which correspond to the “time-stretched” start and stop signals of the measuring time intervals, respectively. The cross-correlations were generated with the equivalent sampling rate  $f_s = f_r^2/\Delta f_r = 10$  THz in the optical frequency domain and the updating rate of  $T_{\text{update}} = 1/\Delta f_r = 1$  ms in the laboratory timescale. The equivalent timescale stretching parameter was obtained as  $\alpha = f_r/\Delta f_r = 10^5$ . Then, we implemented an analog-to-digital converter (ADC) with a 400-MHz sampling rate and a 10-bit resolution to dig-

itize the train of interferograms. The data were subsequently transmitted to a field programmable gate array (FPGA) controller and synchronized with the local clock for data processing.

**Timing discrimination.** The fundamental task of OTWTT is to recover timing information from exchanged optical pulses. Because signal distortion and noise accumulation were caused by the long-haul fiber transmission, high-precision timing discrimination was challenging.

Instead of the commonly used heterodyne-voltage-to-time scaling [12], peak location [13] or carrier phase [20] to define the arrival time in free-space scenarios, we used the centroid of the interferogram to discriminate the temporal position of the optical pulses, which is defined by

$$t_i = \frac{\int dt A_i(t) \times t}{\int dt A_i(t)}, \quad (1)$$

for the  $i$ -th labeled interferogram. Here,  $A_i(t)$  is the envelope extracted by the Hilbert transformation, since it is not sensitive to the pulse shape and can smooth out the intensity noise superimposed on optical pulses. Then, the time difference was obtained by comparing the centroid position of two interferograms.

To quantify the noise floor of the microwave clock-based LOS measurement, we replaced the incoming clock comb by the local generated clock comb at each site and calculated the time difference between reference and target interferograms. Due to the DWDM filtering, the initial width of the filtered pulse was approximately 13.6 ps in the effective time (which corresponds to 1.36  $\mu$ s in lab time). Then, we used local DCFs with different length to locally simulate the effect of the fiber transmission on the pulse shape, as shown in Fig. 2 (a). When the dispersion-induced pulse width increased, the peak became more difficult to find because the pulse flattened. By contrast, as shown in Fig. 2 (b), in the pulse width of 13.62-217.97 ps, the short-term time deviation remained stable ( $65 \pm 2$  fs for 1 s of averaging time) by the centroid estimation, which demonstrates the insensitivity to waveforms.

**Kalman filter-assisted LOS measurement.** In contrast to the signal fading from turbulence in the free-space scenario [12, 19], the decrease in visibility of the target interferogram mainly attributes to the polarization disturbance in fiber, which is eliminated by the in-line electronic polarization controller. Therefore, the hold-over behavior of the Kalman filter was not considered in our experiments. In this paper, we focused on the Kalman filter to limit the amount of measurement noise [41, 42]. We assumed two zero-mean Gaussian random processes in the prior noise model of Kalman filter to represent the random-walk phase noise and random-walk frequency noise for real-time data processing [22].

Fig. 2 (c) shows noise power spectral densities (PSDs) of the measurement process. The effective bandwidth of

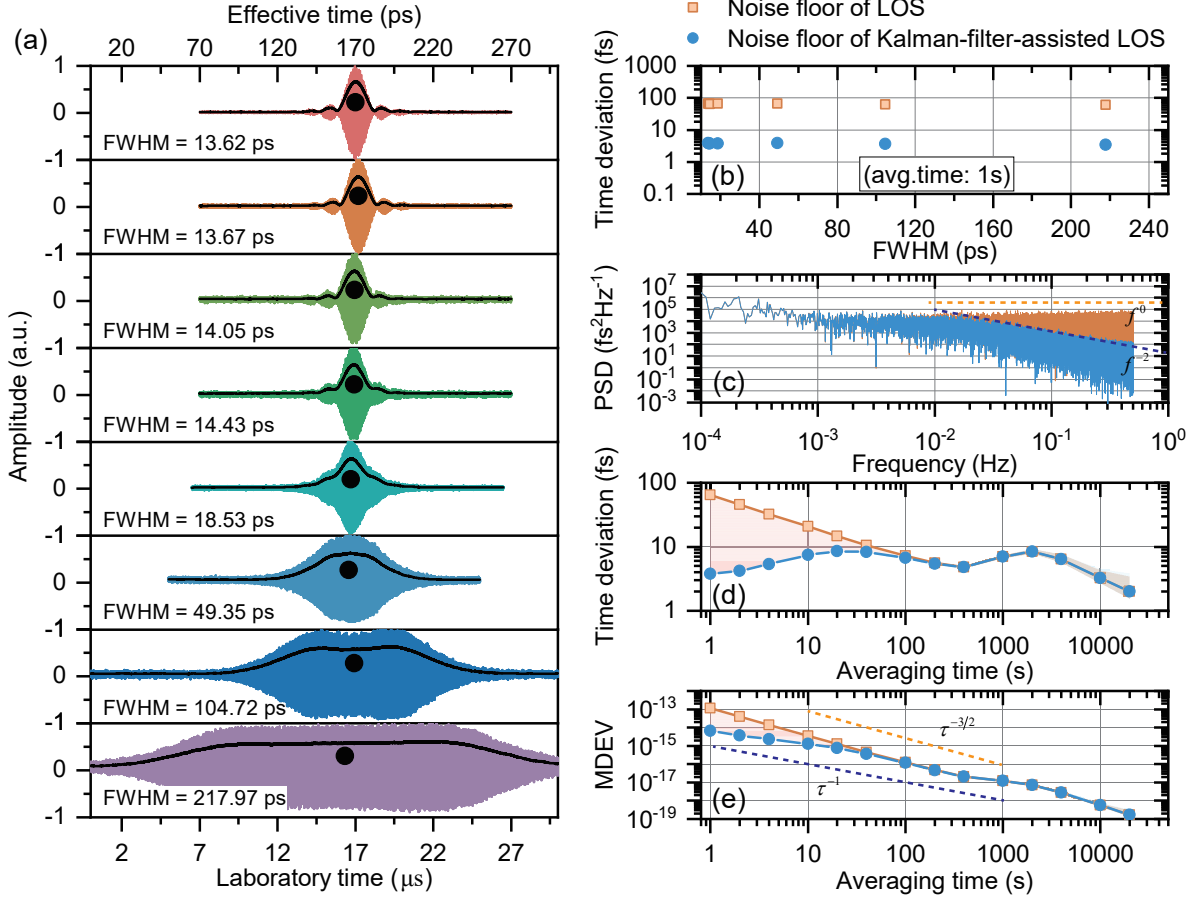


FIG. 2. **Noise floor of the LOS measurement.** (a) Centroid-finding process of different interferograms by locally changing the length of the DCF. FWHM: full width at half maximum. (b) Time deviation of the noise floor over an averaging time of 1 s, calculated by the centroids, under different pulse FWHMs. (c) Power spectral densities (PSDs) before and after Kalman filtering. (d) Time deviation of the noise floor. The shaded region indicates the short-term noise suppression by the Kalman filter. (e) Modified Allan deviation (MDEV) of the noise floor. In both plots, the orange squares or solid lines indicate the noise floor of the LOS; the blue circles or solid lines indicate the noise floor of the Kalman filter-assisted LOS. The dashed lines highlight the main contributed noise types with typical slopes. The error bars indicate the 68% confidence intervals.

the Kalman filter was 0.01 Hz, and the PSD was reduced by approximately three orders of magnitude reduction at 0.5 Hz to  $1.2 \text{ fs}^2\text{Hz}^{-1}$ , which is close to the noise floor of the optical clock-based LOS measurement [12, 13, 22].

In addition, Figs. 2 (d) and (e) show that the Kalman filter-assisted LOS optimizes the measurement instability for a short averaging time. The shaded region shows the noise suppression below 100 s. In Fig. 2 (d), the time deviation of noise floor was optimized to  $3.7 \pm 0.1 \text{ fs}$  for 1 s of averaging time, which can support the measurement of femtosecond-level fiber changes. In Fig. 2 (e), the modified Allan deviation (MDEV) changed the slope of the noise floor from  $\tau^{-3/2}$  to  $\tau^{-1}$  after the Kalman filtering ( $\tau$  is the averaging time in seconds). Thus, the dominate white phase measurement noise was suppressed to the lower flicker phase noise region at short timescales (below 100 s), which determined the noise limitation of the time offset measurement.

**In-loop time offset calculation.** After the precision

of the measurement part had been quantified, the real-time timing discrimination of both sites and calculation of the in-loop time offset  $\Delta t_{AB}$  were performed in the two FPGA controllers. First, at both sites, the respective time differences under laboratory timescale  $t_A^{\text{lab}}$  and  $t_B^{\text{lab}}$  were obtained by locally comparing the centroids of the labeled reference and target interferograms using the time difference calculation algorithm. The effective (actual) time differences at both sites are  $t_A = t_A^{\text{lab}}/\alpha$  and  $t_B = t_B^{\text{lab}}/\alpha$ . Then, the local generated time difference  $t_A$  at site A was transmitted to site B using a modulated laser centered at 1,550.92 nm (ITU-C33) over the DWDM communication link. Combining with the local calculated time information  $t_B$ , the in-loop time offset  $\Delta t_{AB}$  was calculated in the FPGA controller of Site B.

Based on OTWTT, the equivalent time offset between clocks was obtained by subtracting the two time differ-

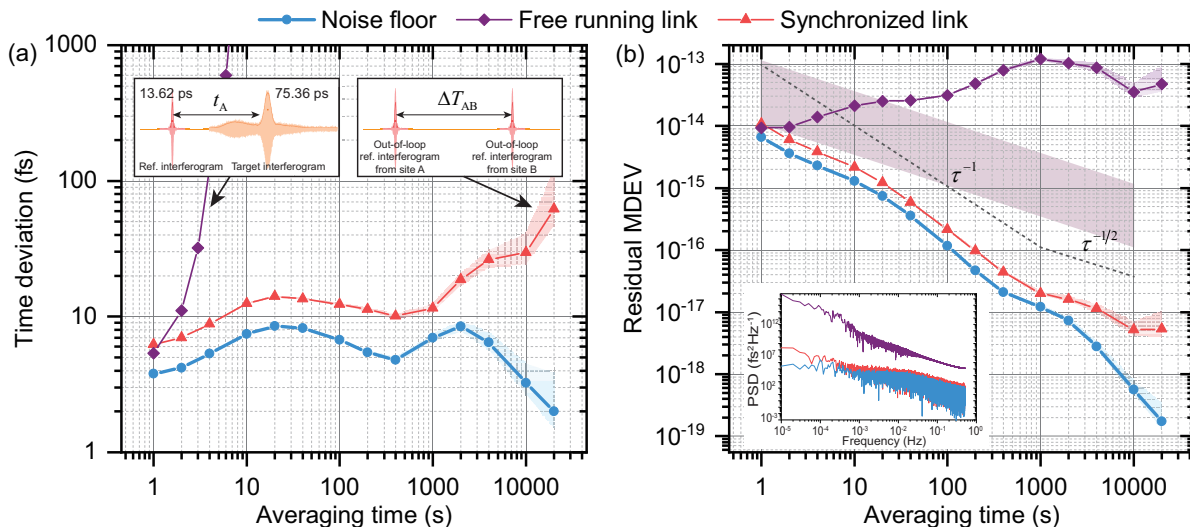


FIG. 3. **Results of the dual comb-enhanced microwave clock synchronization.** (a) Time deviations of the LOS noise floor (blue circles), one-way free-running link (purple diamonds) and synchronized link (red triangles). The free running performance was obtained by comparing the position of the centroids between local reference and target interferograms. The performance of the synchronized link was calculated from the out-of-loop measurement  $\Delta T_{AB}$  by comparing the position of the centroids between out-of-loop reference interferograms from two sites. (b) Residual MDEV of the corresponding results. The insert shows the PSDs of OTWTT. The synchronized result was well below the instabilities of state-of-the-art microwave clocks (shaded region [44–47]). The dashed lines highlight the main contributed noise types with typical slopes. The error bars indicate the 68% confidence intervals.

ence results as follows:

$$\Delta t_{AB} = \frac{1}{2}(t_B - t_A) + t_{NR}, \quad (2)$$

where  $t_{NR} = (\Delta\tau_{BA} - \Delta\tau_{AB})/2$  is the non-reciprocal propagation time delay between forward transmission time  $\Delta\tau_{AB}$  and backward transmission time  $\Delta\tau_{BA}$ . In the experiment,  $\Delta\tau_{AB}$  and  $\Delta\tau_{BA}$  were estimated in advance based on the link length, and the results were pre-stored in FPGA. Based on the reciprocity assumption,  $t_{NR}$  is commonly set to zero. However, many scenarios such as asymmetric delay attacks in the fiber [37] will break this assumption, which will be discussed later.

**Free-running link.** First, we used our system to investigate the one-way free-running link. Specifically, we set both sites that shared a common master clock to test the open-loop link noise from A to B. After passing through the link, the incoming clock comb accumulated link effects, which resulted in the pulse impairments. One impairment is dispersion, which caused pulse broadening and distortion. The results show both second-order dispersion, which caused pulse broadening, and third-order dispersion, which resulted in pulse asymmetry and distortion. Additionally, the link noise and amplified spontaneous emission (ASE) noise introduced by EDFAs inevitably introduced intensity fluctuations in the optical pulses. Both dispersion-induced noise and ASE-induced intensity fluctuations decreased the pulse coherence, which ultimately affected the measurement jitter of the optical cross-correlation.

For the dispersion compensation, even if we use DCFs at the repeater station, a complete dispersion compensation for ultrashort pulse remains challenging. Therefore, we used a small amount of DCF at the receiver site to compensate for the residual dispersion in a fine-tuning manner. The cross-correlation after compensation was provided by the target interferogram in the insert of Fig. 3 (a) with a pulse width of 75.36 ps, which would not cause significant measurement uncertainties due to pulse distortion. For more precise dispersion compensation, techniques such as liquid crystal modulation may be used [43]. The effect of the intensity fluctuations was suppressed by the centroid estimation to smooth the intensity noise. When we calculated the centroid, as shown in Fig. 3 (a), the time deviation introduced by the link was 5 fs at 1 s, which was optimized by an order of magnitude compared to the direct peak-location finding method in our experiment.

**Synchronized link.** After fully characterizing the 205.86-km fiber link, by performing an OTWTT to cancel the link's influence and closing the synchronized feedback loop, we obtained the performance of the synchronized link, which was continuously acquired for over 24 hours. As shown in Fig. 1 (d), the time offset calculation, which acted as the error signal, was fed into the digital feedback system that contained a proportional integral loop filter and a direct digital synthesizer (DDS). It also had a 30-Hz synchronization bandwidth to force the minimized residual timing jitter of the clock output to synchronize two microwave clocks.

Fig. 3 (a) shows a time deviation. The starting point

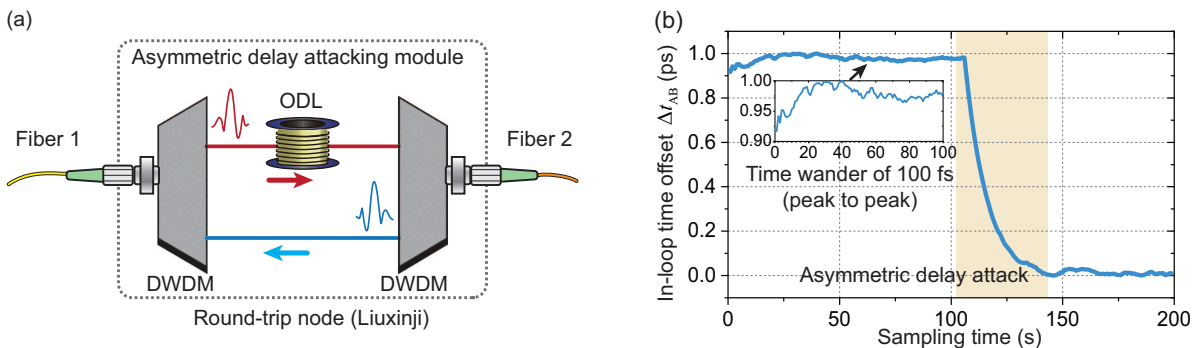


FIG. 4. **Result of the asymmetric delay attack.** (a) Asymmetric delay attacking module at the round-trip node. Two DWDMs were used to separate the forward and backward optical pluses, and an optical delay line (ODL) in the forward path was used to adjust the reciprocal time delays between forward and backward transmissions. (b) The in-loop time offset changed when the sub-picosecond-level asymmetric delay attack was used. The peak-to-peak time wander was approximately 100 fs without attack.

was the floor at approximately 6.23 fs and reached another floor of 10 fs at 400 s, which contributes to the short-term noise suppression by Kalman filter-assisted LOS. The trend is consistent with the measurement noise floor for an averaging time of up to 1,000 s, which indicates that the residual synchronized noise strongly depends on the type of noise in the measurement part and the degree of noise. The synchronized link exhibits slightly poorer stability for very short averaging time than the free-running link. The main reason is the non-reciprocity in the bidirectional amplifiers at the repeater station, which makes it difficult to cancel the non-common-mode ASE noise. The slope dramatically changed beyond 1,000 s, which shows that the time deviation is limited by the thermal effect for longer averaging times. This issue will be improved by an active thermal stabilization of experimental components.

The residual MDEV between remote parties show the performance of the time-frequency transfer in Fig. 3 (b). The residual MDEV began at  $1 \times 10^{-14}$  at 1 s and reached below  $6 \times 10^{-18}$  at 10,000 s. The residual MDEV was below the state-of-the-art microwave clocks [44–47] after 1 s of averaging time and more than two orders of magnitude better after the long averaging time. The slope was  $\tau^{-1}$  below 1,000 s, which indicates that the dominant noise at short timescales is flicker phase noise, and the residual MDEV follows  $\tau^{-1/2}$  power laws after 1,000 s averaging time. All of the results are consistent with the time deviation.

We also compared the stability result of  $1 \times 10^{-14} \tau^{-1}$  in our experiment with the free-space scenarios that synchronized the optical clocks. The stability was approximately one order of magnitude less than that of Ref [13], given by a few  $10^{-15} \tau^{-1}$ . This lower starting point was mainly due to the higher noise floor of the LOS measurement and ASE noise of the in-line EDFAs, which relatively weakened the coherence of optical pulses and caused a larger timing jitter in the microwave-clock-synchronization scenarios than in the optical os-

illator-based scenarios. Moreover, compare to the result of  $2.8 \times 10^{-15} \tau^{-3/2}$  in Ref. [12], the trend of  $\tau^{-1}$  comes from the flicker phase noise caused by the technical noise of devices, so the delay-unsuppressed white-phase noise especially with low frequency [48, 49] could not be detected. Thus, we should optimize the microwave clock-based LOS measurement. Nevertheless, this result, which is close to the optical clock time synchronization, greatly closes the gap of microwave-microwave time synchronization in the entire time-frequency network.

**Probing fiber delay non-reciprocity.** Similar to the probe of non-reciprocity from multi-path effects [12] or motion platforms [19] in free space, many impacts can affect the non-reciprocity in fiber-based OTWTT, which affects the true clock-offset estimation results. A particular example of the recently extensively concerned potential asymmetric delay attacks [37, 39, 50]. The improvement of the clock-offset measurement enables us to sense the subtle delay non-reciprocity of the fiber link and improves the security of long-haul fiber transmission.

To verify this claim, we used an asymmetric delay attacking module at the round-trip node to simulate the potential invasive attack, as shown in Fig. 4 (a). Two DWDMs were used to separate the forward and backward optical pluses. An optical delay line (ODL) in the forward path was exploited to adjust the relative time delays between forward and backward transmissions, and the reciprocity was breakdown. As we discussed, the non-reciprocal propagation time delay  $t_{NR}$  in Eq. (2) was set to zero before we started the synchronization. If the non-reciprocal traveling time was stable, the calculated time offset  $\Delta t_{AB}$  only reflected the offset between the two clocks (because the link drift was canceled by the OTWTT method), which can be compensated on the remote clock through closed-loop feedback process. However, the term  $t_{NR}$  appeared when we adjusted the ODL to perform asymmetric delay attacks, which made the estimated clock offset deviate from the true value.

Here, we only set a common clock of two sites to probe

the link variation to show the ability of pulse measurement in the fiber and ignored the clock-offset drift. When there is a clock offset, the link change can also be obtained by establishing a clock-offset dynamics model to eliminate the influence of the clock [37]. As Fig. 4 (b) shows, the in-loop time offset  $\Delta t_{AB}$  suddenly changed when we applied a sub-picosecond-level delay on one path, which caused a mismatch between synchronized clocks and compromised the security. This type of asymmetric delay attack cannot be identified and exceed the noise level of the measurement instruments. The time wander of the system was approximately 100 fs in our system, which limits the precision of probing fiber delay slips. This process can be optimized by precisely controlling the temperature of laboratory devices.

This result indicates that the transmission of microwave clocks can identify delay variations caused by sub-ps-level attacks, which is three orders of magnitude better than the reported TIC scheme with the sub-nanosecond precision [37]. This significant improvement helps us precisely identify the sudden phase changes caused by unexpected factors in the link, which can more securely evaluate the clock offset.

## CONCLUSION

In summary, we have demonstrated a femtosecond-level time synchronization between remote microwave clock-based timescales over a commercial fiber link of 205.86 km. The residual time deviation after synchronization was 6.23 fs at 1 s, and the instability was below  $6 \times 10^{-18}$  for an averaging time longer than 10,000 s with the dominate noise from the microwave clock-based LOS measurement. This configuration can make the high time-resolution feature of the optical frequency comb compatible with most existing fiber infrastructures, which greatly promotes the application range of fiber-based time-frequency networks. This result fully merges the bottleneck of time synchronization based on microwave clocks in a hybrid time-frequency network to achieving the interconnection between any microwave and optical clocks. Thus, this method has the potential for microwave-based precise applications such as positioning, navigation, timing and coherent sensing. Moreover, this technique enhances the probe ability of subtle variations of fiber, which will generate new possibilities for channel modeling and a secure time-transfer network to resist potential delay attacks. An interesting extension of this work will further investigate the quantum-limited properties [12] in the microwave clock-based fiber scenarios.

## METHODS

**Asynchronous locking system.** In our experiment, the repetition frequencies of two combs were phase-locked to a microwave clock to guarantee the coherence of the pulse-envelope phase, while the CEO frequency was free running. The reason is that the CEO frequency has negligible influence on the envelope measurement at an appropriate sampling rate [34].

To maintain the pulse-envelope phase synchronization between two combs with a small frequency offset, we developed an asynchronous locking system, which contained a high-precision single-input two-output DDS, and two fiber-loop optical-microwave phase detectors (FLOM-PDs) [51]. The single-input two-output DDS was used to generate two electrical signals with repetition frequencies of 1 GHz and 1.00001 GHz, which were synchronized to the 10-MHz microwave clock and served as the references of two combs. To maintain the synchronization between the outputs of the DDS and two combs, we locked the repetition frequencies of two combs to the outputs of the DDS using the FLOM-PD, where the 10-th harmonic of the respective combs were used to improve the locking stability. The overall locking-induced time deviation of the system was 45 fs at 1 s.

**Eliminating of the ambiguity.** Instead of the modulated laser scheme to remove the ambiguity range, we used the MZM to directly encode time markers on the intensity of the optical pulses. The MZM was driven by the digital-to-analog converters (DAC) synchronized to the local clock. High control voltage was supplied to suppress the intensity of the optical pulse to label data “0”, whereas no control voltage was supplied to maintain the intensity of the optical pulses to label data “1”.

Since we collected interferograms with a refresh rate of 1 kHz, the modulated frequency of MZM was set to 1 kHz to label symbols on the initial part of the interferograms of every second to represent the timestamp. Therefore, one labeled interferogram corresponds to  $10^5$  labeled optical pulses. Here, the timestamp was encoded by a pseudorandom binary sequence (PRBS) with 10 bits (corresponding to 10 ms duration) per second. The frame structure of the PRBS is as follows: The first and last bits were fixed as “0”, and the middle 8 bits used pseudorandom numbers to simulate the timestamps.

The next step was to recognize the frames. First, once the measurement voltage of the reference interferogram was 0, the frame header recognition began. Second, at each site, after identifying all pseudo-random numbers and receiving the last “0” symbol, we labeled the next interferogram as the first pulse and recorded the time on the FPGA. The target interferogram was similarly measured. The synchronization was maintained until the symbol “0” of the next frame was received, and the measurement time difference was maintained during the frame recognition process.

**Out-of-loop verification.** To verify the time offset

of the clocks after synchronization, the out-of-loop measurement of the time offset  $\Delta T_{AB}$ , which is independent from the in-loop calculated time offset  $\Delta t_{AB}$ , is necessary. Here, we also filtered an output on both combs at each site to generate the out-of-loop reference interferogram that is independent from the in-loop signals to verify the synchronization results. The out-of-loop reference interferograms at two sites contained the timing information of two clocks and could directly eliminate uncertainty from the photoelectronic detection. Then, the out-of-loop verification was performed by measuring the relative time interval of two out-of-loop reference interferograms from two sites using an ADC and transmitted to a computer with a real-time data refresh rate of 1 s, which is independent of the FPGA processor used for synchronization. Therefore, the PSD is available only for Fourier frequencies below 0.5 Hz.

### DATA AVAILABILITY

The data that support the findings of this study are available from the corresponding author upon reasonable request.

### CODE AVAILABILITY

The code used in this study is available from the corresponding author upon reasonable request.

- 
- [1] X. Li, M. Ge, X. Dai, X. Ren, M. Fritsche, J. Wickert, and H. Schuh, Accuracy and Reliability of Multi-GNSS Real-Time Precise Positioning: GPS, GLONASS, BeiDou, and Galileo, *J. Geod.* **89**, 607 (2015).
- [2] W. Lewandowski and E. F. Arias, GNSS Times and UTC, *Metrologia* **48**, S219 (2011).
- [3] J. M. Dow, R. E. Neilan, and C. Rizos, The International GNSS Service in a Changing Landscape of Global Navigation Satellite Systems, *J. Geod.* **83**, 191 (2009).
- [4] G. Marra et al., Optical Interferometry-Based Array of Seafloor Environmental Sensors Using a Transoceanic Submarine Cable, *Science* **376**, 874 (2022).
- [5] G. Marra et al., Ultrastable Laser Interferometry for Earthquake Detection with Terrestrial and Submarine Cables, *Science* **361**, 486 (2018).
- [6] C. Clivati, A. Tampellini, A. Mura, F. Levi, G. Marra, P. Galea, A. Xuereb, and D. Calonico, Optical Frequency Transfer over Submarine Fiber Links, *Optica* **5**, 893 (2018).
- [7] Boulder Atomic Clock Optical Network (BACON) Collaboration, Frequency Ratio Measurements at 18-Digit Accuracy Using an Optical Clock Network, *Nature* **591**, 564 (2021).
- [8] P. Delva et al., Test of Special Relativity Using a Fiber Network of Optical Clocks, *Phys. Rev. Lett.* **118**, 221102 (2017).
- [9] C. Lisdat et al., A Clock Network for Geodesy and Fundamental Science, *Nat. Commun.* **7**, 12443 (2016).
- [10] A. Derevianko and M. Pospelov, Hunting for Topological Dark Matter with Atomic Clocks, *Nat. Phys.* **10**, 933 (2014).
- [11] E. D. Caldwell, L. C. Sinclair, J.-D. Deschenes, F. Giorgetta, and N. R. Newbury, Application of Quantum-Limited Optical Time Transfer to Space-Based Optical Clock Comparisons and Coherent Networks, *APL Photonics* **9**, 016112 (2024).
- [12] E. D. Caldwell, J.-D. Deschenes, J. Ellis, W. C. Swann, B. K. Stuhl, H. Bergeron, N. R. Newbury, and L. C. Sinclair, Quantum-Limited Optical Time Transfer for Future Geosynchronous Links, *Nature* **618**, 721 (2023).
- [13] Q. Shen et al., Free-Space Dissemination of Time and Frequency with  $10^{-19}$  Instability over 113 Km, *Nature* **610**, 661 (2022).
- [14] M. Schioppo et al., Comparing Ultrastable Lasers at  $7 \times 10^{-17}$  Fractional Frequency Instability through a 2220 Km Optical Fibre Network, *Nat. Commun.* **13**, 212 (2022).
- [15] D. R. Gozzard, L. A. Howard, B. P. Dix-Matthews, S. F. E. Karpathakis, C. T. Gravestock, and S. W. Schediwy, Ultrastable Free-Space Laser Links for a Global Network of Optical Atomic Clocks, *Phys. Rev. Lett.* **128**, 020801 (2022).
- [16] B. P. Dix-Matthews et al., Point-to-Point Stabilized Optical Frequency Transfer with Active Optics, *Nat. Commun.* **12**, 515 (2021).
- [17] Q. Shen et al., Experimental Simulation of Time and Frequency Transfer via an Optical Satellite-Ground Link at  $10^{-18}$  Instability, *Optica* **8**, 471 (2021).
- [18] M. I. Bodine, J. L. Ellis, W. C. Swann, S. A. Stevenson, J.-D. Deschênes, E. D. Hannah, P. Manurkar, N. R. Newbury, and L. C. Sinclair, Optical Time-Frequency Transfer across a Free-Space, Three-Node Network, *APL Photonics* **5**, 076113 (2020).
- [19] H. Bergeron, L. C. Sinclair, W. C. Swann, I. Khader, K. C. Cossel, M. Cermak, J.-D. Deschênes, and N. R. Newbury, Femtosecond Time Synchronization of Optical Clocks off of a Flying Quadcopter, *Nat. Commun.* **10**, 1819 (2019).
- [20] L. C. Sinclair, H. Bergeron, W. C. Swann, E. Baumann, J.-D. Deschênes, and N. R. Newbury, Comparing Optical Oscillators across the Air to Milliradians in Phase and  $10^{-17}$  in Frequency, *Phys. Rev. Lett.* **120**, 050801 (2018).
- [21] J.-D. Deschênes, L. C. Sinclair, F. R. Giorgetta, W. C. Swann, E. Baumann, H. Bergeron, M. Cermak, I. Coddington, and N. R. Newbury, Synchronization of Distant Optical Clocks at the Femtosecond Level, *Phys. Rev. X* **6**, 021016 (2016).
- [22] H. Bergeron, L. C. Sinclair, W. C. Swann, C. W. Nelson, J.-D. Deschênes, E. Baumann, F. R. Giorgetta, I. Coddington, and N. R. Newbury, Tight Real-Time Synchronization of a Microwave Clock to an Optical Clock across a Turbulent Air Path, *Optica* **3**, 441 (2016).
- [23] L. C. Sinclair et al., Synchronization of Clocks through 12 Km of Strongly Turbulent Air over a City, *Applied Physics Letters* **109**, 151104 (2016).
- [24] F. R. Giorgetta, W. C. Swann, L. C. Sinclair, E. Baumann, I. Coddington, and N. R. Newbury, Optical Two-Way Time and Frequency Transfer over Free Space, *Nature Photon.* **7**, 434 (2013).
- [25] S. Droste, F. Ozimek, Th. Udem, K. Predehl, T. W. Hänsch, H. Schnatz, G. Grosche, and R. Holzwarth,



- Optical-Frequency Transfer over a Single-Span 1840 Km Fiber Link, *Phys. Rev. Lett.* **111**, 110801 (2013).
- [26] K. Predehl et al., A 920-Kilometer Optical Fiber Link for Frequency Metrology at the 19th Decimal Place, *Science* **336**, 441 (2012).
- [27] J. Lee, Y.-J. Kim, K. Lee, S. Lee, and S.-W. Kim, Time-of-Flight Measurement with Femtosecond Light Pulses, *Nature Photon.* **4**, 716 (2010).
- [28] J. Kim, J. A. Cox, J. Chen, and F. X. Kärtner, Drift-Free Femtosecond Timing Synchronization of Remote Optical and Microwave Sources, *Nature Photon.* **2**, 733 (2008).
- [29] D. Yu, Z. Chen, Y. Zhang, Z. Jin, S. Yu, B. Luo, and H. Guo, Microwave Frequency Transfer over 3000-Km Fiber Based on Optical Frequency Combs and Active Noise Cancellation, *Phys. Rev. Research* **6**, 023005 (2024).
- [30] M. Lessing, H. S. Margolis, C. T. A. Brown, and G. Marra, Frequency Comb-Based Time Transfer over a 159 Km Long Installed Fiber Network, *Appl. Phys. Lett.* **110**, 221101 (2017).
- [31] L. Śliwczyński, P. Krehlik, A. Czubla, L. Buczek, and M. Lipiński, Dissemination of Time and RF Frequency via a Stabilized Fibre Optic Link over a Distance of 420 Km, *Metrologia* **50**, 133 (2013).
- [32] M. Rost, D. Piester, W. Yang, T. Feldmann, T. Wübbena, and A. Bauch, Time Transfer through Optical Fibres over a Distance of 73 Km with an Uncertainty below 100 Ps, *Metrologia* **49**, 772 (2012).
- [33] I. Coddington, W. C. Swann, and N. R. Newbury, Coherent Linear Optical Sampling at 15 Bits of Resolution, *Opt. Lett.* **34**, 2153 (2009).
- [34] D. Yu, Z. Chen, X. Yang, Y. Xu, Z. Jin, P. Ma, Y. Zhang, S. Yu, B. Luo, and H. Guo, Time Interval Measurement with Linear Optical Sampling at the Femtosecond Level, *Photon. Res.* **11**, 2222 (2023).
- [35] Y. Zhang, Z. Chen, D. Yu, J. Niu, X. Chen, and H. Guo, Hundred-Femtosecond-Level Concise Optical Time Delay Measurement System Based on Linear Optical Sampling, *Review of Scientific Instruments* **94**, 085105 (2023).
- [36] J. Kalisz, Review of Methods for Time Interval Measurements with Picosecond Resolution, *Metrologia* **41**, 17 (2004).
- [37] Y. Li et al., Secure Two-Way Fiber-Optic Time Transfer Against Sub-Ns Asymmetric Delay Attack With Clock Model-Based Detection and Mitigation Scheme, *IEEE Trans. Instrum. Meas.* **72**, 1 (2023).
- [38] H. Dai et al., Towards Satellite-Based Quantum-Secure Time Transfer, *Nat. Phys.* **16**, 848 (2020).
- [39] L. Narula and T. E. Humphreys, Requirements for Secure Clock Synchronization, *IEEE J. Sel. Top. Signal Process.* **12**, 749 (2018).
- [40] Z. Feng, G. Marra, X. Zhang, E. R. N. Fokoua, H. Sakr, J. R. Hayes, F. Poletti, D. J. Richardson, and R. Slavík, Stable Optical Frequency Comb Distribution Enabled by Hollow-Core Fibers, *Laser and Photonics Reviews* **16**, 2200167 (2022).
- [41] G. Giorgi, An Event-Based Kalman Filter for Clock Synchronization, *IEEE Trans. Instrum. Meas.* **64**, 449 (2015).
- [42] C. Zucca and P. Tavella, The Clock Model and Its Relationship with the Allan and Related Variances, *IEEE Trans. Ultrason., Ferroelect., Freq. Contr.* **52**, 289 (2005).
- [43] C.-C. Chang, H. P. Sardesai, and A. M. Weiner, Dispersion-Free Fiber Transmission for Femtosecond Pulses by Use of a Dispersion-Compensating Fiber and a Programmable Pulse Shaper, *Opt. Lett.* **23**, 283 (1998).
- [44] F. Fang et al., Advances in the NIM Cs fountain clocks, 2019 Joint Conference of the IEEE International Frequency Control Symposium and European Frequency and Time Forum (EFTF/IFC), Orlando, FL, USA, pp. 1-3 (2019).
- [45] S. Weyers, V. Gerginov, M. Kazda, J. Rahm, B. Lipphardt, G. Dobrev, and K. Gibble, Advances in the Accuracy, Stability, and Reliability of the PTB Primary Fountain Clocks, *Metrologia* **55**, 789 (2018).
- [46] T. P. Heavner, E. A. Donley, F. Levi, G. Costanzo, T. E. Parker, J. H. Shirley, N. Ashby, S. Barlow, and S. R. Jefferts, First Accuracy Evaluation of NIST-F2, *Metrologia* **51**, 174 (2014).
- [47] J. Guena et al., Progress in Atomic Fountains at LNE-SYRTE, *IEEE Trans. Ultrason., Ferroelect., Freq. Contr.* **59**, 391 (2012).
- [48] P. A. Williams, W. C. Swann, and N. R. Newbury, High-Stability Transfer of an Optical Frequency over Long Fiber-Optic Links, *J. Opt. Soc. Am. B* **25**, 1284 (2008).
- [49] N. R. Newbury, P. A. Williams, and W. C. Swann, Coherent Transfer of an Optical Carrier over 251 Km, *Opt. Lett.* **32**, 3056 (2007).
- [50] J. Lee, L. Shen, A. Cerè, J. Troupe, A. Lamas-Linares, and C. Kurtsiefer, Asymmetric Delay Attack on an Entanglement-Based Bidirectional Clock Synchronization Protocol, *Applied Physics Letters* **115**, 141101 (2019).
- [51] K. Jung and J. Kim, Subfemtosecond Synchronization of Microwave Oscillators with Mode-Locked Er-Fiber Lasers, *Opt. Lett.* **37**, 2958 (2012).

## ACKNOWLEDGMENTS

This work was supported by the National Natural Science Foundation of China (Grants Nos. 62201012), and the National Hi-Tech Research and Development (863) Program.

## AUTHOR CONTRIBUTIONS

Z.C., D.Y., G.L. and Y.Z. performed the experiment and overall data analysis. Z.C., D.Y. and Y.Z. performed the theoretical analysis. Z.C., D.Y., and G.L. processed the data. Z.C. and H.G. contributed to all parts of the work. Z.C. and D.Y. conceived the experiment, and Z.C., S.Y. B.L. and H.G. supervised the project. All of the authors were involved in the discussion and interpretations of the results. Z.C. wrote the manuscript, and D.Y., G.L., Y.Z., S.Y., B.L. and H.G. provided revisions.

## COMPETING INTERESTS

The authors declare no competing interests.