

FREE FIELD REALIZATION OF SUPERSYMMETRIC W-ALGEBRAS

ARIM SONG

ABSTRACT. We show that supersymmetric(SUSY) W-algebra of generic level can be realized as an intersection of the kernels of the screening operators. Applying this result to principal SUSY W-algebras, we get their free field realization inside SUSY Heisenberg vertex algebras. Furthermore, the screening operators for principal SUSY W-algebras allow us to present them as intersections of the principal SUSY W-algebras associated with $\mathfrak{osp}(1|2)$, $\mathfrak{osp}(2|2)$, $\mathfrak{osp}(3|2)$ and $\mathfrak{osp}(4|2)$, tensored with SUSY Heisenberg vertex algebras.

1. INTRODUCTION

W-algebras were first introduced in the physical context, particularly in the study of 2-dimensional conformal field theory [21, 7, 29]. When a Lie (super)algebra with an $\mathfrak{sl}(2)$ embedding is given, we can define the corresponding W-algebra by quantum Hamiltonian reduction [9]. After the invention of the vertex algebra language, this process was translated in terms of the vertex algebra cohomology [24], which in turn indicates the vertex algebra structure of W-algebras. As a supersymmetric analogue of W-algebras, supersymmetric(SUSY) W-algebras are introduced. Since the vertex algebra language did not align with the physicists' words to study supersymmetric field theory, the appropriate language to study them was required. Thanks to the work [23, 18] of Heluani and Kac, the notion of $N_K = N$ SUSY vertex algebras was developed, which is later used in [30] to define SUSY W-algebras via SUSY BRST construction.

In this paper, we mainly focus on $N_K = 1$ SUSY vertex algebras, which we simply refer to as SUSY vertex algebras. The SUSY vertex algebra is a vertex algebra equipped with an odd linear operator D whose square is equal to the translation operator ∂ . With respect to this odd map D , one can find the supersymmetric counterpart for each element. The smallest but the most important toy example of a SUSY vertex algebra is the Neveu-Schwarz vertex algebra, which is the supersymmetric analogue of a Virasoro vertex algebra. The Neveu-Schwarz vertex algebra NS^c of central charge $c \in \mathbb{C}$ is a vertex algebra freely generated by an even element L and an odd element G . The OPEs between the generators are given by

$$(1.1) \quad \begin{aligned} L(z)L(w) &\sim \frac{\partial_w L(w)}{z-w} + \frac{2L(w)}{(z-w)^2} + \frac{c}{6(z-w)^4}, \\ L(z)G(w) &\sim \frac{\partial_w G(w)}{z-w} + \frac{3G(w)}{2(z-w)^2}, \\ G(z)G(w) &\sim \frac{2L(w)}{z-w} + \frac{c}{3(z-w)^3}. \end{aligned}$$

Denote the coefficients of the fields by $L(z) = \sum_{n \in \mathbb{Z}} L_{(n)} z^{-n-1}$ and $G(z) = \sum_{n \in \mathbb{Z}} G_{(n)} z^{-n-1}$. Since we have $D^2 = \partial$ for $D := G_{(0)}$, the Neveu-Schwarz vertex algebra is a SUSY vertex algebra. Furthermore, as one can check in (1.1), the element L generates a Virasoro vertex algebra and G is primary of conformal weight $\frac{3}{2}$ along with the simplest OPE with itself. Therefore, the Neveu-Schwarz vertex algebra NS^c can be regarded as the $N = 1$ supersymmetric analogue of a Virasoro vertex algebra.

Moreover, one can observe that the commutator with the supersymmetry D connects the two fields $G(z)$ and $2L(z)$. To be specific, it draws the following commutative diagram:

This research was supported by Basic Science Research Program through the National Research Foundation of Korea (NRF) funded by the Ministry of Education (RS-2023-00272036, RS-2024-00409689).

$$\begin{array}{ccc}
-2nL_{(n-1)} & \xleftarrow{[D, -]} & -nG_{(n-1)} \\
\uparrow [\partial, -] & \xrightarrow{[D, -]} & \uparrow [\partial, -] \\
2L_{(n)} & & G_{(n)} \\
& \xleftarrow{[D, -]} &
\end{array}$$

Emphasizing that the two fields are associated, we write the vertex operators of G and $2L$ as a single unit in either of the following ways

$$(1.2) \quad G(z) + 2\theta L(z), \quad [2L_\lambda \cdot] + \chi[G_\lambda \cdot]$$

by introducing an odd formal variable θ or χ . The first part of (1.2) generalizes to the definition of SUSY vertex algebras via superfields, and the second part generalizes to the definition via Λ -brackets [18]. We choose the latter one as a main definition of SUSY vertex algebras since the Λ -brackets are particularly useful in describing the SUSY BRST construction.

The SUSY BRST construction is the cohomological construction of a SUSY W-algebra when a Lie superalgebra \mathfrak{g} and its $\mathfrak{osp}(1|2)$ subalgebra \mathfrak{s} are given. The corresponding SUSY W-algebra of level $k \in \mathbb{C}$ is denoted by $W^k(\bar{\mathfrak{g}}, f)$, where f is an odd nilpotent in \mathfrak{s} . We expect the SUSY W-algebras to have subalgebras isomorphic to Neveu-Schwarz vertex algebras, just as W-algebras have Virasoro vertex algebras as subalgebras. Furthermore, we expect the SUSY W-algebras to be decomposed into the direct sum of the eigenspaces with respect to the action of the Neveu-Schwarz subalgebra, which enables us to consider the concept of conformal weight in SUSY W-algebras. This property is known as a superconformality, and numerous papers [1, 29] conjectured the superconformality of SUSY W-algebras. We provide properties of SUSY W-algebras in Section 4 along with the proof of the superconformality of SUSY W-algebras in Theorem 4.6 for noncritical level. In particular, it implies that the SUSY W-algebra of the noncritical level made up of the Lie superalgebra $\mathfrak{g} = \mathfrak{osp}(1|2)$ is isomorphic to the Neveu-Schwarz vertex algebra.

The main goal of this paper is to show the free field realization of SUSY W-algebra as a kernel of screening operators. Free field realization is to give a representation of a conformal field theory in free bosons or free fermions [14]. In terms of vertex algebras, it means to embed a conformal vertex algebra into a tensor product of free field vertex algebras, such as Heisenberg or free fermion vertex algebras. Since the free field vertex algebras have far simpler structures than any other vertex algebras, showing the free field realization of SUSY W-algebras would facilitate the study of their properties. Furthermore, the screening operators particularly simplify the theory, since each operator ‘‘screens out’’ the need to consider other simple roots. To elaborate on the meaning of the screening, we recall the free field realization of W-algebras in [10]. In the paper, they show that any W-algebra made up of a finite simple Lie algebra and its principal $\mathfrak{sl}(2)$ subalgebra can be embedded into a Heisenberg vertex algebra. Also, the realization is given by the kernel of screening operators, where each screening operator corresponds to one simple root of the Lie algebra. If we only focus on the kernel of a single screening operator, we can see that it is isomorphic to the Virasoro vertex algebra tensored with the Heisenberg vertex algebra. This fact led to the proof of Feigin-Frenkel duality for principal W-algebras. Additionally, it was a main tool in verifying the coset realizations of W-algebras [3]. In the case of Lie superalgebras instead of Lie algebras, the free field realization of them was shown by [16], when the level $k \in \mathbb{C}$ is generic. However, further analogous problems for W-algebras associated with Lie superalgebras are still open.

In this paper, we use spectral sequences to prove the free field realization of SUSY W-algebras as kernels of screening operators. This method is inspired by the paper of Genra in [16] which only needs intrinsic information of W-algebras. We set the $\mathbb{Z}_{\geq 0}$ -grading called the weight on the SUSY BRST complex and consider the induced spectral sequence. Then we observe that the cohomology of the total complex on the second page gives the original SUSY W-algebra.

To be explicit, we have

$$(1.3) \quad W^k(\bar{\mathfrak{g}}, f) \simeq H(E_2^k, d_2),$$

where E_2^k and d_2 are the total complex and the differential on the second page. Eventually, the isomorphism (1.3) gives the free field realization of $W^k(\bar{\mathfrak{g}}, f)$ under some conditions. In particular, the structure of the total complex E_2^k is given by the SUSY Heisenberg vertex algebra, and the action of the differential d_2 gives the formula of screening operators for SUSY W-algebras. We dedicate Section 5 to investigate (1.3) and prove the following main theorem. Furthermore, we see that the isomorphism in (1.5) is equal to the Miura map μ_k for SUSY W-algebras. As a corollary, we get the injectivity of μ_k for generic $k \in \mathbb{C}$.

Theorem 1.1 (Theorem 5.7 and 5.9). *For generic $k \in \mathbb{C}$, the SUSY W-algebra of level k is isomorphic to*

$$(1.4) \quad W^k(\bar{\mathfrak{g}}, f) \simeq \bigcap_{[\alpha] \in [I_0]} \ker \left(\sum_{\beta \in [\alpha]} (f|u_\beta) \phi_{(0|0)}^\beta \right) \subset V^{\xi_k}(\bar{\mathfrak{g}}_0),$$

where $\phi_{(0|0)}^\alpha$ is given by the adjoint action on E_2^k and $V^{\xi_k}(\bar{\mathfrak{g}}_0)$ is the SUSY affine vertex algebra of shifted level ξ_k associated with \mathfrak{g}_0 . In particular, when $\mathfrak{g}_0 = \mathfrak{h}$, (1.4) can be written as

$$(1.5) \quad W^k(\bar{\mathfrak{g}}, f) \simeq \bigcap_{\substack{\alpha \in \Pi \\ (f|u_\alpha) \neq 0}} \ker \int e^{-\frac{1}{\nu} \int \alpha(Z) dZ} \subset \hat{\pi}.$$

Here, $\hat{\pi}$ is the SUSY Heisenberg vertex algebra associated with \mathfrak{h} and $\int e^{-\frac{1}{\nu} \int \alpha(Z) dZ}$ is the screening operator for each simple root $\alpha \in \Pi$ with $(f|u_\alpha) \neq 0$.

In Theorem 1.1, we denote by \mathfrak{g}_0 the subspace of \mathfrak{g} given by the eigenspace of eigenvalue 0 for the adjoint action of $H \in \mathfrak{osp}(1|2)$ and \mathfrak{h} the Cartan subalgebra of \mathfrak{g} . One of the main ideas in proving this theorem is that we use the quasi-classical limit of SUSY W-algebras called the classical SUSY W-algebras. They have the structure of SUSY Poisson vertex algebras, which are the supersymmetric analogue of Poisson vertex algebras. As for the classical W-algebras cases, the classical SUSY W-algebras have a great advantage in doing computations. Due to Lemma 5.2, this advantage is especially useful, since the classical SUSY W-algebras explains the behavior of $W^k(\bar{\mathfrak{g}}, f)$ for generic $k \in \mathbb{C}$.

The most important class of Lie superalgebras that satisfies $\mathfrak{g}_0 = \mathfrak{h}$ would be the Lie superalgebras that admit the principal $\mathfrak{osp}(1|2)$ embedding. Denote the odd nilpotent element of the principal $\mathfrak{osp}(1|2)$ subalgebra by f_{prin} and the dual Coxeter number of \mathfrak{g} by $h^\vee(\mathfrak{g})$. Then for the shifted level $\Psi := k - h^\vee(\mathfrak{g})$, we can analyze the structure of a principal SUSY W-algebra $W^\Psi(\bar{\mathfrak{g}}) := W^\Psi(\bar{\mathfrak{g}}, f_{\text{prin}})$ by applying Theorem 1.1.

Theorem 1.2 (Theorem 6.2). *Let \mathfrak{g} be a finite basic simple Lie superalgebra which is not the type of $D(2, 1; \alpha)$. Then the principal SUSY W-algebra $W^\Psi(\bar{\mathfrak{g}})$ of generic level can be expressed as the intersection of the vertex algebras in the following list:*

$$(1.6) \quad W^\Psi(\overline{\mathfrak{osp}(1|2)}), \quad W^\Psi(\overline{\mathfrak{osp}(2|2)}), \quad W^\Psi(\overline{\mathfrak{osp}(3|2)}), \quad W^\Psi(\overline{\mathfrak{osp}(4|2)}),$$

where the list (1.6) is up to the tensor product of SUSY Heisenberg vertex algebra.

Note that the Lie superalgebras $\mathfrak{osp}(1|2)$, $\mathfrak{osp}(2|2)$, $\mathfrak{osp}(3|2)$ and $\mathfrak{osp}(4|2)$ are conjecturally the minimal Lie superalgebras whose associated principal W-algebras have $N = 1, 2, 3$, and 4 superconformal structure up to the tensor product of free field vertex algebras [28, 32, 17]. As a result of Theorem 1.2, we can analyze the structure of any principal SUSY W-algebras on a much smaller scale. To be specific, the study of SUSY W-algebras in (1.6) would help us understand $W^k(\bar{\mathfrak{g}})$ for generic $k \in \mathbb{C}$. Recall from earlier in Section 1 that the analogous statement of Theorem 1.2 holds in the study of principal W-algebras associated with a Lie algebra \mathfrak{g} [10]. In this case, the list (1.6) is replaced with the W-algebra associated with $\mathfrak{sl}(2)$, in other words, the Virasoro vertex algebra. Similarly to the proof of Feigin-Frenkel duality, the author anticipates that each SUSY W-algebra in the list (1.6) would also have nontrivial dualities, which in turn gives the Feigin-Frenkel type duality for principal SUSY W-algebras.

The structure of this paper is as follows. In Section 2, we recall SUSY vertex algebras and compare this structure with vertex algebras in Theorem 2.4. Next, we see examples of SUSY vertex algebras in Section 3, namely, SUSY affine vertex algebras, SUSY fermionic vertex algebras, and SUSY Heisenberg vertex algebras. Section 4 provides a summary of SUSY W-algebras and their properties, accompanied by Theorem 4.6, which shows the superconformality of SUSY W-algebras. Next, we prove the main Theorem 5.9, the free field realization of SUSY W-algebras in Section 5. The application of the main theorem to principal SUSY W-algebras is presented in Section 6. Finally, we deal with the technical proofs supporting Section 5, and provide another definition of SUSY vertex algebra with superfield formalism in the appendix.

2. SUPERSYMMETRIC VERTEX ALGEBRAS VS. VERTEX ALGEBRAS

In this section, we review the definition of supersymmetric vertex algebras, especially the one via the Λ -brackets. Next, by comparing their structure with vertex algebra, we get Theorem 2.4, the simpler description of supersymmetric vertex algebras. Here, the supersymmetric vertex algebra means an $N_K = 1$ supersymmetric vertex algebra for the $N_K = N$ supersymmetric vertex algebra introduced by Heluani-Kac [18].

2.1. Notations.

The notations in this section will be used throughout this paper. Consider any vector superspace $V = V_0 \oplus V_1$. We write $p(A) = 0$ (resp. 1) if $A \in V_0$ (resp. V_1). For an odd endomorphism D and an even endomorphism ∂ on V , we write these as a tuple

$$(2.1) \quad \nabla = (\partial, D)$$

if they satisfy $D^2 = \partial$. For the above ∇ , denote the unital superassociative algebra generated by the elements as $\mathbb{C}[\nabla]$. For formal variables λ, χ with λ even and χ odd, we represent them as $\Lambda = (\lambda, \chi)$ when

$$(2.2) \quad [\chi, \chi] = -2\lambda, \quad [\lambda, \chi] = 0.$$

Let $\mathbb{C}[\Lambda]$ be the unital superassociative algebra generated by Λ . The superspace $\mathbb{C}[\Lambda] \otimes V$ can be viewed as a $\mathbb{C}[\nabla]$ -module via

$$(2.3) \quad D(\chi A) = -\chi(DA) + 2\lambda A$$

for $A \in V$, in which the tensor notations are omitted.

2.2. Supersymmetric vertex algebra.

We review the definitions of supersymmetric vertex algebras and superconformal vectors. In the original paper [18] of Heluani and Kac, they proposed two equivalent definitions of supersymmetric vertex algebras, via superfields and via Λ -brackets. We give the latter as a definition of supersymmetric vertex algebras in this paper. For the former, we briefly introduce it in Appendix A.1. We first introduce supersymmetric Lie conformal algebra, which attributes to define supersymmetric vertex algebras.

Definition 2.1 ([18]). Let R be a superspace with a tuple of endomorphisms ∇ . We say that R is a *supersymmetric(SUSY) Lie conformal algebra(LCA)* if it is a $\mathbb{C}[\nabla]$ -module equipped with an odd linear map

$$(2.4) \quad [\cdot_\Lambda \cdot] : R \otimes R \rightarrow \mathbb{C}[\Lambda] \otimes R$$

satisfying

$$\begin{aligned} & \text{(super sesquilinearity)} \quad [DA_\Lambda B] = \chi[A_\Lambda B], \quad [A_\Lambda DB] = (-1)^{p(A)+1}(\chi + D)[A_\Lambda B], \\ & \text{(super skew-symmetry)} \quad [B_\Lambda A] = (-1)^{p(A)p(B)}[A_{-\Lambda-\nabla} B], \\ & \text{(super Jacobi identity)} \end{aligned}$$

$$[A_\Lambda [B_\Gamma C]] = (-1)^{p(A)+1}[[A_\Lambda B]_{\Lambda+\Gamma} C] + (-1)^{(p(A)+1)(p(B)+1)}[B_\Gamma [A_\Lambda B]]$$

for any $A, B, C \in R$. The action of ∇ on the space $\mathbb{C}[\Lambda] \otimes R$ is given by (2.3), and $\Gamma = (\gamma, \mu)$ is a tuple of variables satisfying (2.2), where χ and μ are supercommutative.

Given any SUSY LCA, we denote the coefficients of the Λ -bracket (2.4) by

$$(2.5) \quad [A_\Lambda B] = \sum_{n \geq 0} \frac{\lambda^n}{n!} A_{(n|0)} B + \chi \sum_{n \geq 0} \frac{\lambda^n}{n!} A_{(n|1)} B.$$

The computation of the RHS of super skew-symmetry needs to be noted. If we ignore the sign $(-1)^{p(A)p(B)}$, the RHS can be computed by applying the tuple $-\Lambda - \nabla = (-\lambda - \partial, -\chi - D)$ in replace of Γ in $[A_\Gamma B]$. Using the notation in (2.5),

$$[A_{-\Lambda - \nabla} B] = \sum_{n \geq 0} \frac{(-\lambda - \partial)^n}{n!} A_{(n|0)} B - (\chi + D) \sum_{n \geq 0} \frac{(-\lambda - \partial)^n}{n!} A_{(n|1)} B.$$

For any binary operation $::$ on a SUSY LCA R , we say that the operation is *super quasi-commutative* and *super quasi-associative* if the following equations (2.6) and (2.7) hold for any elements of R , respectively:

$$(2.6) \quad :AB: - (-1)^{p(A)p(B)} :BA: = - \sum_{n \geq 1} \frac{(-\partial)^n}{n!} A_{(n-1|1)} B,$$

$$(2.7) \quad ::AB:C: - :A:BC:: = \sum_{n \geq 0} A_{(-n-2|1)} B_{(n|1)} C + (-1)^{p(A)p(B)} \sum_{n \geq 0} B_{(-n-2|1)} A_{(n|1)} C.$$

In (2.7), $A_{(-n-2|1)} B = \frac{1}{(n+1)!} :(\partial^{n+1} A)B:$ for positive n .

Definition 2.2 ([18]). Consider a superspace V with a tuple of endomorphisms ∇ and an even distinguished element $|0\rangle \in V$. The superspace V is called a *supersymmetric(SUSY) vertex algebra* if

- V is a SUSY LCA with Λ -bracket $[\cdot_\Lambda \cdot]$,
- V is equipped with a parity-preserving binary operation $::$ such that the algebra $(V, |0\rangle, : \cdot, D \in \nabla)$ is a super quasi-commutative and super quasi-associative unital algebra with an odd derivation D ,
- the Λ -bracket and the binary operation $::$ is related by the super Wick formula, i.e.,

$$(2.8) \quad [A_\Lambda :BC:] = :[A_\Lambda B]C: + (-1)^{(p(A)+1)p(B)} :B[A_\Lambda C]: + \sum_{n \geq 1} \frac{\lambda^n}{n!} [A_\Lambda B]_{(n-1|1)} C$$

for any $A, B, C \in V$.

Note that the $(n-1|1)$ th product on the last term of (2.8) only applies to the coefficients. To be specific, the last term equals the following expression.

$$\sum_{n \geq 1} \frac{\lambda^n}{n!} \left(\sum_{m \geq 0} \frac{\lambda^m}{m!} (A_{(m|0)} B)_{(n-1|1)} C + \chi \sum_{m \geq 0} \frac{\lambda^m}{m!} (A_{(m|1)} B)_{(n-1|1)} C \right).$$

The binary operation $::$ of SUSY vertex algebra is called the *normally ordered product*. Note that the notation and the name for this binary operation are the same as the one in vertex algebra. In fact, SUSY vertex algebra has a vertex algebra structure whose normally ordered product is given by $::$. We check this in Theorem 2.4 shortly.

Recall that one of the most important features of vertex algebra that should be checked is whether it has a conformal vector. The action of the conformal vector gives a grading to the vertex algebra, called conformal weight. In SUSY vertex algebra, we have the notion of a superconformal vector, which plays a similar role in the supersymmetric setting.

Definition 2.3 ([18]). Let V be a SUSY vertex algebra. An odd element $G \in V$ is called a *superconformal vector of central charge* $c \in \mathbb{C}$ if it satisfies the two following conditions.

- (i) The Λ -bracket between G and itself is

$$(2.9) \quad [G_\Lambda G] = (2\partial + 3\lambda + \chi D) G + \frac{\lambda^2 \chi}{3} c.$$

- (ii) V decomposes into the direct sum $V = \bigoplus_{\Delta \geq M} V_\Delta$ for some $M \in \mathbb{R}$, where each V_Δ for $\Delta \in \mathbb{R}$ consists of the elements $a \in V$ satisfying

$$(2.10) \quad [G_\Lambda a] = (2\partial + 2\Delta\lambda + \chi D)a + O(\Lambda^2).$$

In the above, $O(\Lambda^2)$ is a polynomial in λ and χ , whose constant and linear terms are vanishing.

When V has a superconformal vector and $a \in V_\Delta$, we say that a has a *conformal weight* Δ . Furthermore, we call $V = \bigoplus V_\Delta$ the *conformal weight decomposition* of V . In particular, when $O(\Lambda^2) = 0$ in (2.10), we say that a is *primary*.

2.3. SUSY vertex algebras vs. Vertex algebras.

In this section, we compare the definitions of vertex algebras and SUSY vertex algebras to obtain the simpler description of SUSY vertex algebra in Theorem 2.4. The idea of the proof originates from the author's previous paper [33] with Ragoucy and Suh, in which they simplified the notion of SUSY Poisson vertex algebra. For the definition of vertex algebras, refer to Chapter 2 in [23]. Recall that on a vertex algebra V , an odd endomorphism D is said to be an *odd derivation* if it is an odd derivation for all the (n) th product, i.e., D is an odd derivation for the normally ordered product $::$, and satisfies

$$(2.11) \quad D[A_\lambda B] = [DA_\lambda B] + (-1)^{p(A)}[A_\lambda DB]$$

for any $A, B \in V$. In particular, we have $D|0\rangle = 0$ for an odd derivation D .

Theorem 2.4. *Every SUSY vertex algebra is a vertex algebra. Conversely, any vertex algebra with an odd derivation D satisfying $D^2 = \partial$ is a SUSY vertex algebra.*

Proof. Let V be a SUSY vertex algebra. For the Λ -bracket of V , take the parity preserving linear map

$$(2.12) \quad [\cdot_\lambda \cdot] : V \otimes V \rightarrow \mathbb{C}[\lambda] \otimes V, \\ A \otimes B \mapsto [A_\lambda B] = \sum_{n \geq 0} \frac{\lambda^n}{n!} A_{(n|1)} B.$$

Using (2.12), the Λ -bracket for V is written as

$$(2.13) \quad [A_\Lambda B] = [DA_\lambda B] + \chi[A_\lambda B],$$

because the super sesquilinearity $[DA_\Lambda B] = \chi[A_\Lambda B]$ implies that $(DA)_{(n|1)}B = A_{(n|0)}B$ for any $A, B \in V$. Note from (2.13) that (2.12) captures the χ containing part of the Λ -bracket. By comparing the χ containing part of the super sesquilinearity, super skew-symmetry and super Jacobi identity in Definition 2.1, one can say that V with λ -bracket (2.12) is a Lie conformal algebra. For the normally ordered product $::$ on V , the quasi-commutativity and quasi-associativity of $::$ directly follow from (2.6) and (2.7). Lastly, one gets the Wick formula for (2.12) by comparing χ containing part of the super Wick formula as follows. Using the equality (2.13), the super Wick formula can be written as

$$\begin{aligned} & [DA_\lambda : BC:] + \chi[A_\lambda : BC:] \\ & = :[DA_\lambda B]C: + \chi :[A_\lambda B]C: + (-1)^{(p(A)+1)p(B)} :B[DA_\lambda C]: + (-1)^{p(A)p(B)} \chi :B[DA_\lambda C]: \\ & \quad + \sum_{n \geq 1} \frac{\lambda^n}{n!} [DA_\lambda B]_{(n-1|1)} C + \chi \sum_{n \geq 1} \frac{\lambda^n}{n!} [A_\lambda B]_{(n-1|1)} C. \end{aligned}$$

Picking up the χ containing term, one gets the Wick formula for (2.12).

Conversely, assume that V is a vertex algebra with an odd derivation D satisfying $D^2 = \partial$. Using the λ -bracket $[\cdot_\lambda \cdot]$ for vertex algebra V , define an odd linear map $[\cdot_\Lambda \cdot]$ on V by (2.13). Then one can show all the required properties of the Λ -bracket by direct computation. Refer to Section 3 of [33] for the detailed proof. In [33], they deal with the classical version, but the computation process is similar. \square

In the rest of this paper, whenever we mention the vertex algebra structure of a SUSY vertex algebra, it means that we are considering (2.12). Furthermore, we denote

$$A_{(n)} = A_{(n|1)}$$

for any $n \in \mathbb{Z}_{\geq 0}$ in SUSY vertex algebra. Note that this coincides with the (n) th product convention of vertex algebra related to the coefficients of the λ -bracket. In addition, we define *SUSY vertex subalgebras* (resp. *SUSY ideals*) by requiring them not just to be vertex subalgebras (resp. ideals), but also to be closed under D .

One of the advantages of Theorem 2.4 is that we can find a new supersymmetric structure whenever we can take an appropriate odd derivation D on a vertex algebra. We present here one of the examples, the Neveu-Schwarz vertex algebra.

Example 2.5 (Neveu-Schwarz vertex algebra). For $c \in \mathbb{C}$, the Neveu-Schwarz vertex algebra NS^c is a vertex algebra freely generated by even L and odd G . The λ -brackets between them are given by

$$[L_\lambda L] = (\partial + 2\lambda)L + \frac{c}{6}\lambda^3, \quad [L_\lambda G] = (\partial + \frac{3}{2}\lambda)G, \quad [G_\lambda G] = 2L + \frac{c}{3}\lambda^2.$$

Denote the coefficients of the λ -brackets by $[A_\lambda B] = \sum_{n \geq 0} \frac{\lambda^n}{n!} A_{(n)} B$. Then for $D = G_{(0)}$, we have

$$[D, D] = [G_{(0)}, G_{(0)}] = (G_{(0)}G)_{(0)} = (2L)_{(0)} = 2\partial,$$

which implies that $D^2 = \partial$. Any (0) th product of an odd element is an odd derivation on a vertex algebra. Thus, NS^c is a SUSY vertex algebra with $D = G_{(0)}$. In particular, its Λ -bracket is given by (2.13). Note that the Λ -bracket between G with itself is written as

$$[G_\Lambda G] = [2L_\lambda G] + \chi[G_\lambda G] = (2\partial + 3\lambda + \chi D)G + \frac{\lambda^2 \chi}{3}c,$$

which shows that G is a superconformal vector of NS^c .

Remark 2.6. Note in the above example that $\frac{1}{2}DG = L$ is a conformal vector for a superconformal vector G . This fact holds in general and the conformal weight (2.10) is the same as the one given by the conformal vector $\frac{1}{2}DG$. These can be easily checked by combining (2.9) and (2.13).

Furthermore, Theorem 2.4 lets us think of the quasi-classical limit of SUSY vertex algebras naturally since it already has a vertex algebra structure. In Proposition 2.8, we see that the quasi-classical limit of SUSY vertex algebra gives a SUSY Poisson vertex algebra. Refer to [6] for the quasi-classical limit of vertex algebras. We briefly recall the notion of SUSY Poisson vertex algebra.

Proposition-Definition 2.7 ([33]). Let P be a Poisson vertex algebra with a λ -bracket $\{\cdot, \lambda \cdot\}$. Assume that P has an odd derivation D satisfying

$$(2.14) \quad D^2 = \partial, \quad D\{a_\lambda b\} = \{Da_\lambda b\} + (-1)^{p(a)}\{a_\lambda Db\}.$$

Then, P is a *supersymmetric Poisson vertex algebra*. In this case, we write its Λ -bracket $\{\cdot, \Lambda \cdot\} : P \otimes P \rightarrow \mathbb{C}[\Lambda] \otimes P$ as

$$(2.15) \quad \{a_\Lambda b\} = \{Da_\lambda b\} + \chi\{a_\lambda Db\}.$$

Proposition 2.8. Consider the family of SUSY vertex algebras

$$(V_y, |0\rangle_y, \nabla_y, [\cdot, \Lambda \cdot]_y, \cdot :_y)$$

over $\mathbb{C}[y]$ such that V_y is a free $\mathbb{C}[y]$ -module, and $[V_y, \Lambda V_y] \subset \mathbb{C}[\Lambda] \otimes yV_y$. Take the quasi-classical limit of this family V_y of SUSY vertex algebras by regarding them as vertex algebras over $\mathbb{C}[y]$. As a result, the algebra obtained from the quasi-classical limit is a SUSY Poisson vertex algebra.

Proof. Due to Theorem 2.4, each V_y is a vertex algebra with an odd derivation D_y satisfying $D_y^2 = \partial_y$. To be specific, D_y is an odd derivation with respect to $: \cdot :_y$ and satisfies

$$(2.16) \quad D_y[A_\lambda B]_y = [D_y A_\lambda B]_y + (-1)^{p(A)}[A_\lambda D_y B]_y$$

for any $A, B \in V_y$. Take a quasi-classical limit of this family so that we get a Poisson vertex algebra $P := V_y/yV_y$ with Poisson λ -bracket

$$\{A_\lambda B\} = \frac{1}{y}[A_\lambda B]_y|_{y=0},$$

and an even derivation ∂ induced from ∂_y . Let D be the odd endomorphism on P induced by D_y . From the properties of D_y including (2.16), one can conclude that D is an odd derivation satisfying the assumptions (2.14). Thus, the resulting Poisson vertex algebra is a SUSY Poisson vertex algebra with Poisson Λ -bracket

$$(2.17) \quad \{A_\Lambda B\} = \{DA_\lambda B\} + \chi\{A_\lambda B\} = \frac{1}{y}[A_\Lambda B]_y|_{y=0}.$$

□

3. EXAMPLES OF SUSY VERTEX ALGEBRAS

In this section, we present a few major examples of SUSY vertex algebras, namely, SUSY affine vertex algebras, SUSY fermionic vertex algebras, and SUSY Heisenberg vertex algebras. The first two, introduced in Section 3.1, will be used as ingredients to describe the SUSY BRST complexes for SUSY W-algebras. In Section 3.2, we introduce the last example, which plays a key role in Section 5.

3.1. SUSY affine vertex algebras and SUSY fermionic vertex algebras.

For a SUSY vertex algebra V and its totally ordered subset $\mathcal{B} = \{A_i \mid i \in \mathcal{I}\}$, we say that the SUSY vertex algebra V is *freely generated* by \mathcal{B} if V is freely generated by $\mathcal{B} \sqcup D\mathcal{B}$ as a vertex algebra. To avoid confusion, we make it precise here that the ‘freely generated’ means the supersymmetric sense from now on. In this section, we denote the parity-reversed space of a vector superspace \mathfrak{U} by $\bar{\mathfrak{U}}$ and denote its element by \bar{u} for $u \in \mathfrak{U}$. Before we jump into the two examples, we introduce the reconstruction theorem, which demonstrates the supersymmetric version of the universal enveloping vertex algebra for a given SUSY LCA.

Theorem 3.1 (Reconstruction theorem [18]). *Let R be a SUSY LCA and \mathcal{B} be its totally ordered subset. Assume that $\mathcal{B} \sqcup D\mathcal{B}$ forms a \mathbb{C} -basis of R . Then there exists a unique supersymmetric vertex algebra $V(R)$ such that*

- (i) $V(R)$ is freely generated by \mathcal{B} ,
- (ii) D is an odd derivation of $V(R)$,
- (iii) the Λ -bracket of R extends to that of $V(R)$ via the super Wick formula.

For any SUSY LCA R , the SUSY vertex algebra $V(R)$ in Theorem 3.1 is called *the universal enveloping supersymmetric vertex algebra* of R .

Remark 3.2. Taking the λ -bracket as in (2.12), one can see that a SUSY LCA R also has a Lie conformal algebra structure. Then its universal enveloping vertex algebra $\tilde{V}(R)$ is isomorphic to $V(R)$ as vertex algebras. It follows from the uniqueness of $V(R)$, since we can extend the endomorphism D of R to $\tilde{V}(R)$ by

$$D(:AB:) = (DA)B: + (-1)^{p(A)} :A(DB):.$$

Example 3.3 (SUSY affine vertex algebras). Let \mathfrak{g} be a finite simple or abelian Lie superalgebra endowed with a nondegenerate even supersymmetric invariant bilinear form $(\cdot|\cdot)$. Consider the $\mathbb{C}[\nabla]$ -module $R_{\text{cur}} = \mathbb{C}[\nabla] \otimes \bar{\mathfrak{g}} \oplus \mathbb{C}K$ with ∇ acting trivially on K . Define the Λ -bracket on the space R_{cur} by

$$(3.1) \quad [\bar{A}_\Lambda \bar{B}] = (-1)^{p(A)(p(B)+1)} \overline{[A, B]} + \chi(A|B)K$$

for $\bar{A}, \bar{B} \in \bar{\mathfrak{g}}$, and let K be central. Note that the Λ -bracket (3.1) can be extended to the whole space R_{cur} via super sesquilinearity. Then the extended Λ -bracket makes R_{cur} a SUSY LCA. For $k \in \mathbb{C}$, the SUSY vertex algebra

$$V^k(\bar{\mathfrak{g}}) = V(R_{\text{cur}})/\langle K - (k + h^\vee) | 0 \rangle$$

is called the *SUSY affine vertex algebra of level $k \in \mathbb{C}$* associated with \mathfrak{g} . Here, h^\vee is the dual coxeter number of \mathfrak{g} , i.e., $2h^\vee$ is the eigenvalue of the Casimir element on \mathfrak{g} with the adjoint action. Also, $V(R_{\text{cur}})$ is the universal enveloping SUSY vertex algebra of R_{cur} , and $\langle K - (k + h^\vee) | 0 \rangle$ is the SUSY vertex algebra ideal of $V(R_{\text{cur}})$ generated by $K - (k + h^\vee) | 0 \rangle$. This SUSY vertex algebra has a superconformal vector

$$(3.2) \quad \omega = \frac{1}{k + h^\vee} \sum_{i,j} (v_i | v_j) : \bar{v}^i (D \bar{v}^j) : + \frac{1}{2(k + h^\vee)^2} \sum_{i,j,r} (-1)^{p(v_j)} (v_i | [v_j, v_r]) : \bar{v}^i \bar{v}^j \bar{v}^r :$$

of central charge $c_k = \frac{k \text{sdim} \mathfrak{g}}{k + h^\vee} + \frac{1}{2} \text{sdim} \mathfrak{g}$, due to the Kac-Todorov construction [25], where $\text{sdim}(\mathfrak{g})$ is the superdimension of \mathfrak{g} . In (3.2), $\{v_i\}$ and $\{\bar{v}^i\}$ are the homogeneous dual bases of \mathfrak{g} such that $(v^i | v_j) = \delta_{i,j}$. Each $\bar{A} \in \bar{\mathfrak{g}}$ is primary of conformal weight $\frac{1}{2}$ with respect to ω .

Remark 3.4. The definition of SUSY affine vertex algebra is different from the original definition in Example 5.9 of [18], where the only difference is the sign in (3.1). One can easily see that the map (3.3) from the SUSY affine vertex algebra in Example 3.3 to the original SUSY affine vertex algebra gives an isomorphism.

$$(3.3) \quad \bar{A} \mapsto \begin{cases} \bar{A} & \text{if } A \text{ is even} \\ \sqrt{-1} \bar{A} & \text{if } A \text{ is odd.} \end{cases}$$

Example 3.5 (Generalization of SUSY affine vertex algebras). We can generalize the definition of SUSY affine vertex algebras to any finite Lie superalgebra \mathfrak{g} with an even supersymmetric invariant bilinear form $(\cdot | \cdot)$. Consider the killing form $\kappa_{\mathfrak{g}}$ on \mathfrak{g} . Using the similar argument in Example 3.3, one can construct the SUSY vertex algebra freely generated by the basis elements of $\bar{\mathfrak{g}}$ with the Λ -bracket

$$[\bar{A}_\Lambda \bar{B}] = (-1)^{p(A)(p(B)+1)} \overline{[A, B]} + \chi \tau_k(A|B)$$

for $A, B \in \mathfrak{g}$, where τ_k is the bilinear form on \mathfrak{g} as follows:

$$\tau_k(A|B) = k(A|B) + \frac{1}{2} \kappa_{\mathfrak{g}}(A|B).$$

This SUSY vertex algebra is also called the *SUSY affine vertex algebra of level k* associated with \mathfrak{g} and denoted by $V^k(\bar{\mathfrak{g}})$. For a simple or abelian \mathfrak{g} , the following relation [26]

$$\kappa_{\mathfrak{g}}(A|B) = 2h^\vee(A|B), \quad A, B \in \mathfrak{g}$$

shows that the two definitions in Example 3.3 and 3.5 are identical.

Example 3.6 (SUSY fermionic vertex algebras). Let \mathfrak{A} be a vector superspace with an even nondegenerate skew-supersymmetric bilinear form $\langle \cdot | \cdot \rangle$. The skew-supersymmetry means that the induced bilinear form on the parity-reversed space $\bar{\mathfrak{A}}$ is supersymmetric. Consider the $\mathbb{C}[\nabla]$ -module $R_{\text{ch}} = \mathbb{C}[\nabla] \otimes \bar{\mathfrak{A}} \oplus \mathbb{C}K$. This superspace has a SUSY LCA structure via the Λ -bracket

$$(3.4) \quad [\bar{A}_\Lambda \bar{B}] = \langle A|B \rangle K$$

for $\bar{A}, \bar{B} \in \bar{\mathfrak{A}}$, and central K . Note that (3.4) satisfies the conditions in Definition 2.1. For example, the super skew-symmetry can be checked as follows.

$$[\bar{B}_\Lambda \bar{A}] = \langle B|A \rangle K = (-1)^{(p(A)+1)(p(B)+1)} \langle A|B \rangle K = (-1)^{p(\bar{A})p(\bar{B})} [\bar{A}_{-\Lambda-\nabla} \bar{B}].$$

For the universal enveloping SUSY vertex algebra $V(R_{\text{ch}})$ of R_{ch} , define the *SUSY fermionic vertex algebra* associated with \mathfrak{A} to be the SUSY vertex algebra

$$F(\bar{\mathfrak{A}}) = V(R_{\text{ch}})/\langle K - | 0 \rangle \rangle,$$

where $\langle K - | 0 \rangle \rangle$ is the SUSY vertex algebra ideal of $V(R_{\text{ch}})$.

3.2. SUSY Heisenberg vertex algebras and Fock representations.

Recall that the direct sum of the Fock representations of Heisenberg algebra gives rise to the vertex algebra called lattice vertex algebra in nonSUSY theory. The supersymmetric analogue of lattice vertex algebra has been explored in the paper [19] of Heluani-Kac, so it conversely motivates the definitions of SUSY Heisenberg algebras and their Fock representations in this section. The algebras defined in this section are the essential ingredients for the free field realization of SUSY W-algebras in Section 5.

Definition 3.7. Let \mathfrak{a} be a finite-dimensional vector space with a symmetric bilinear form $(\cdot|\cdot)$. Let $l = \dim(\mathfrak{a})$ and fix a basis $\{v_1, \dots, v_l\}$ of \mathfrak{a} . The *SUSY Heisenberg algebra* $\mathcal{H}^{\mathfrak{a}}$ associated with \mathfrak{a} is an infinite-dimensional Lie superalgebra spanned by the linearly independent elements

$$\bar{b}_i(n), D\bar{b}_i(n), \mathbb{1}, \quad i = 1, \dots, l, \quad n \in \mathbb{Z},$$

where $D\bar{b}_i(n)$ and $\mathbb{1}$ are even, while $\bar{b}_i(n)$ are odd. The Lie brackets between them are given by

$$\begin{aligned} [D\bar{b}_i(m), D\bar{b}_j(n)] &= m(v_i|v_j)\delta_{m+n,0}\mathbb{1}, \\ [\bar{b}_i(m), \bar{b}_j(n)] &= (v_i|v_j)\delta_{m+n,-1}\mathbb{1}, \quad [D\bar{b}_i(m), \bar{b}_j(n)] = 0, \end{aligned}$$

while $\mathbb{1}$ being central.

Notice that in Definition 3.7, the space \mathfrak{a} consists only of even vectors but $\mathcal{H}^{\mathfrak{a}}$ is a vector superspace because $\bar{b}_i(n)$'s have an odd parity.

Remark 3.8. The SUSY Heisenberg algebra $\mathcal{H}^{\mathfrak{a}}$ is independent of the choice of basis of \mathfrak{a} . It follows from the fact that it is the universal enveloping Lie algebra of the vertex algebra $V^1(\bar{\mathfrak{a}})$. By decomposing the Λ -bracket (3.1) of $V^1(\bar{\mathfrak{a}})$ with the equality (2.13), we have

$$(3.5) \quad [D\bar{v}_{i\lambda}D\bar{v}_j] = (v_i|v_j)\lambda, \quad [\bar{v}_{i\lambda}\bar{v}_j] = (v_i|v_j), \quad [D\bar{v}_{i\lambda}\bar{v}_j] = 0.$$

If we denote the (n) th product of \bar{v}_i (resp., $D\bar{v}_i$) by $\bar{b}_i(n)$ (resp., $D\bar{b}_i(n)$), then the equality (3.5) gives the Lie bracket relations in Definition 3.7.

Definition 3.9. For a SUSY Heisenberg algebra $\mathcal{H}^{\mathfrak{a}}$, consider its abelian Lie subalgebra

$$\mathfrak{b}^{\mathfrak{a}} = \text{Span}_{\mathbb{C}}\{D\bar{b}_i(n), \bar{b}_i(n), \mathbb{1} \mid n \geq 0, 1 \leq i \leq l\}.$$

For $\alpha \in \mathfrak{a}^*$, let $\mathbb{C}_{\alpha} := \mathbb{C}|\alpha\rangle$ (resp., $\tilde{\mathbb{C}}_{\alpha} := \mathbb{C}|\alpha\rangle$) be the $\mathfrak{b}^{\mathfrak{a}}$ -module such that

- $|\alpha\rangle$ is an even (resp., odd) vector,
- $D\bar{b}_i(m), \bar{b}_i(n)$ for $m > 0, n \geq 0$ act trivially on $|\alpha\rangle$,
- $D\bar{b}_i(0)|\alpha\rangle = \alpha(v_i)|\alpha\rangle$

for any $i = 1, \dots, l$. Then, the *even Fock representation* and *odd Fock representation* of $\mathcal{H}^{\mathfrak{a}}$ of highest weight $\alpha \in \mathfrak{a}^*$ are the induced modules

$$\pi_{\alpha}^{\mathfrak{a}} = \text{Ind}_{\mathfrak{b}^{\mathfrak{a}}}^{\mathcal{H}^{\mathfrak{a}}} \mathbb{C}_{\alpha}, \quad \tilde{\pi}_{\alpha}^{\mathfrak{a}} = \text{Ind}_{\mathfrak{b}^{\mathfrak{a}}}^{\mathcal{H}^{\mathfrak{a}}} \tilde{\mathbb{C}}_{\alpha},$$

respectively. In particular, when $\alpha = 0$, we usually omit the subscript for the even Fock representation so that $\pi_0^{\mathfrak{a}} = \pi^{\mathfrak{a}}$.

Note that the linear map $\pi^{\mathfrak{a}} \rightarrow V^1(\bar{\mathfrak{a}})$

$$(3.6) \quad \begin{aligned} D\bar{b}_{i_1}(-m_1) \cdots D\bar{b}_{i_r}(-m_r) \bar{b}_{j_1}(-n_1) \cdots \bar{b}_{j_s}(-n_s) |0\rangle \\ \mapsto (D\bar{v}_{i_1})_{(-m_1)} \cdots (D\bar{v}_{i_r})_{(-m_r)} (\bar{v}_{j_1})_{(-n_1)} \cdots (\bar{v}_{j_s})_{(-n_s)} |0\rangle \end{aligned}$$

gives a bijection between the two spaces. Via this map, one can pull the SUSY vertex algebra structure of $V^1(\bar{\mathfrak{a}})$ to the Fock representation $\pi^{\mathfrak{a}}$. Thus, we regard $\pi^{\mathfrak{a}}$ as a SUSY vertex algebra which we call the *SUSY Heisenberg vertex algebra* associated with \mathfrak{a} . From Remark 3.8, we already have that $\pi_{\alpha}^{\mathfrak{a}}$ and $\tilde{\pi}_{\alpha}^{\mathfrak{a}}$ are $U(\pi^{\mathfrak{a}})$ -modules, where $U(V)$ is the vector superspace spanned by the (n) th coefficients of the elements of a vertex algebra V for all $n \in \mathbb{Z}$. Using the well-known equivalence of the two module categories in Lemma 3.10, one can deduce that the Fock representations $\pi_{\alpha}^{\mathfrak{a}}$ and $\tilde{\pi}_{\alpha}^{\mathfrak{a}}$ are actually a $\pi^{\mathfrak{a}}$ -module. For the statement of Lemma 3.10, we

introduce the notion of coherence for $U(V)$ -modules. For a $U(V)$ -module M , denote the action of $A_{(n)}$ on M by $A_{[n]} \in \text{End}_{\mathbb{C}}(M)$ and write them as a formal power series

$$(3.7) \quad Y[A, z] = \sum_{n \in \mathbb{Z}} A_{[n]} z^{-n-1} \in \text{End}_{\mathbb{C}}(M)[[z^{\pm 1}]]$$

for each $A \in V$. We say that M is *coherent* if $A_{[n]} = 0$ for $n \gg 0$, $Y[[0], z] = \text{Id}_M$ and

$$Y[:AB:, z] = :Y[A, z]Y[B, z]:$$

for any $A, B \in V$.

Lemma 3.10 ([15]). *For a vertex algebra V , let $U(V)$ be the superspace spanned by the (n) th coefficients of the elements of V for all $n \in \mathbb{Z}$. Then, the category of V -modules is equivalent to the category of coherent $U(V)$ -modules.*

Note that the coherences of the Fock representations as $U(\pi^{\mathfrak{a}})$ -modules directly follows from Definition 3.9. Therefore, Lemma 3.10 implies the following proposition.

Proposition 3.11. *For each $\alpha \in \mathfrak{a}^*$, the Fock representations $\pi_{\alpha}^{\mathfrak{a}}$ and $\tilde{\pi}_{\alpha}^{\mathfrak{a}}$ of $\mathcal{H}^{\mathfrak{a}}$ is a $\pi^{\mathfrak{a}}$ -module, considering $\pi^{\mathfrak{a}}$ as a vertex algebra. \square*

From now on, we call $\pi_{\alpha}^{\mathfrak{a}}$ and $\tilde{\pi}_{\alpha}^{\mathfrak{a}}$ the Fock representations of $\pi^{\mathfrak{a}}$ of highest weight $\alpha \in \mathfrak{a}^*$. Inspired by (3.7) and the decomposition of Λ -bracket in (2.13), denote

$$(3.8) \quad [v_{\Lambda} m] = \sum_{n \geq 0} \frac{\lambda^n}{n!} (Dv)_{[n]} m + \chi \sum_{n \geq 0} \frac{\lambda^n}{n!} v_{[n]} m$$

for any $v \in V$ and $m \in M$, where M is a V -module for a vertex algebra V and $v_{[n]}$'s are the coefficients in (3.7). Then, with use of (3.8), the action of $\pi^{\mathfrak{a}}$ on the Fock representations $\pi_{\alpha}^{\mathfrak{a}}$ or $\tilde{\pi}_{\alpha}^{\mathfrak{a}}$ can be written as

$$(3.9) \quad [\bar{v}_{i\Lambda} \bar{v}_j] = (v_i | v_j) \chi, \quad [\bar{v}_{\Lambda} | \alpha] = \alpha(v) | \alpha$$

for any $v, v_i, v_j \in \mathfrak{a}$ and $\alpha \in \mathfrak{a}^*$.

4. SUPERSYMMETRIC W-ALGEBRAS

We recall the definition of supersymmetric W-algebras via the SUSY BRST cohomology. In this section, let \mathfrak{g} be a finite basic simple Lie superalgebra with an odd nilpotent $f \in \mathfrak{g}$. We assume that f lies inside a subalgebra $\mathfrak{s} = \text{Span}_{\mathbb{C}}\{E, e, H, f, F\} \simeq \mathfrak{osp}(1|2)$ of \mathfrak{g} . Denote by h^{\vee} the dual coxeter number of \mathfrak{g} and let $\kappa_{\mathfrak{g}}$ be the killing form of a Lie superalgebra \mathfrak{g} .

4.1. SUSY BRST cohomology for supersymmetric W-algebras.

In the subspace $\mathfrak{s} = \text{Span}_{\mathbb{C}}\{E, e, H, f, F\}$, the even elements E, H, F form an $\mathfrak{sl}(2)$ triple and the odd elements e, f satisfy the relations $[e, e] = 2E$ and $[f, f] = -2F$. Suppose that \mathfrak{g} has a nondegenerate even supersymmetric invariant bilinear form $(\cdot | \cdot)$ normalized by $(E | F) = 1$. With respect to the $\text{ad}_{\frac{H}{2}}$ action, \mathfrak{g} decomposes into the direct sum of eigenspaces given by

$$(4.1) \quad \mathfrak{g} = \bigoplus_{i \in \frac{\mathbb{Z}}{2}} \mathfrak{g}_i, \quad \mathfrak{g}_i = \{a \in \mathfrak{g} \mid [\frac{H}{2}, a] = ia\}.$$

In particular, we have $f \in \mathfrak{g}_{-\frac{1}{2}}$. Before we define the SUSY BRST complex for a SUSY W-algebra, we introduce the SUSY charged free fermion vertex algebra. Let \mathfrak{n} and \mathfrak{n}_- be the two vector subspaces given by

$$(4.2) \quad \mathfrak{n} = \bigoplus_{i > 0} \mathfrak{g}_i, \quad \mathfrak{n}_- = \bigoplus_{i < 0} \mathfrak{g}_i.$$

Take a basis $\{u_{\alpha}\}_{\alpha \in I_+}$ of \mathfrak{n} , where each u_{α} is a root vector for some positive root α . One can choose such basis by the result in [20], which states that any simple root vector of \mathfrak{g} has an $\text{ad}_{\frac{H}{2}}$ -eigenvalue $0, \frac{1}{2}$ or 1 . Take the dual basis $\{u^{\alpha}\}_{\alpha \in I_+}$ of \mathfrak{n}_- satisfying $(u^{\alpha} | u_{\beta}) = \delta_{\alpha, \beta}$. By

the invariance of the bilinear form, it follows that each u^α is a root vector for $-\alpha$. Consider the superspaces

$$(4.3) \quad \phi_{\bar{\mathfrak{n}}} \simeq \bar{\mathfrak{n}}, \quad \phi^{\mathfrak{n}^-} \simeq \mathfrak{n}_-,$$

where the bar notation means the parity-reversing. Define a skew-supersymmetric bilinear form $\langle \cdot | \cdot \rangle$ on $\mathfrak{A} := \phi_{\bar{\mathfrak{n}}} \oplus \phi^{\mathfrak{n}^-}$ by

$$\langle \phi^a | \phi_{\bar{b}} \rangle := (a|b) =: \langle \phi_{\bar{b}} | \phi^a \rangle,$$

and $\langle \phi_{\bar{\mathfrak{n}}} | \phi_{\bar{\mathfrak{n}}} \rangle = \langle \phi^{\mathfrak{n}^-} | \phi^{\mathfrak{n}^-} \rangle = 0$. Then the SUSY fermionic vertex algebra $F(\bar{\mathfrak{A}})$ associated with \mathfrak{A} is called the *SUSY charged free fermion vertex algebra* associated with \mathfrak{g} . Recall Example 3.6 for the definition of SUSY fermionic vertex algebras.

For $k \in \mathbb{C}$, the SUSY BRST complex for \mathfrak{g} and \mathfrak{s} is the SUSY vertex algebra

$$(4.4) \quad C^k(\bar{\mathfrak{g}}, f) := V^k(\bar{\mathfrak{g}}) \otimes F(\bar{\mathfrak{A}}),$$

where $V^k(\bar{\mathfrak{g}})$ is the SUSY affine vertex algebra of level k in Example 3.3, and $F(\bar{\mathfrak{A}})$ is the SUSY charged free fermion vertex algebra associated with \mathfrak{g} . Consider the following two even elements in $C^k(\bar{\mathfrak{g}}, f)$,

$$(4.5) \quad d_{\text{st}} = \sum_{\alpha \in I_+} : \bar{u}_\alpha \phi^\alpha : + \frac{1}{2} \sum_{\alpha, \beta \in I_+} (-1)^{p(\alpha)(p(\beta)+1)} : \phi_{[u_\alpha, u_\beta]} \phi^\beta \phi^\alpha :,$$

$$(4.6) \quad d_f = - \sum_{\alpha \in I_+} (f|u_\alpha) \phi^\alpha,$$

where $\phi^\alpha = \phi^{\bar{u}^\alpha}$, $\phi_\alpha = \phi_{u_\alpha}$ and $p(\alpha) = p(u_\alpha)$ for each $\alpha \in I_+$. For $d = d_{\text{st}} + d_f$, it follows from [30] that the odd endomorphism $d_{(0|0)}$ of $C^k(\bar{\mathfrak{g}}, f)$ is an odd derivation whose square vanishes. Thus, one can define the corresponding cohomology using this map.

Definition 4.1 ([30]). Let \mathfrak{g} be a finite basic simple Lie superalgebra with an odd nilpotent f that lies in a subalgebra isomorphic to $\mathfrak{osp}(1|2)$. The *SUSY W-algebra associated with \mathfrak{g} and f of level $k \in \mathbb{C}$* is defined by

$$W^k(\bar{\mathfrak{g}}, f) := H(C^k(\bar{\mathfrak{g}}, f), d_{(0|0)})$$

for the SUSY BRST complex $C^k(\bar{\mathfrak{g}}, f)$ and $d = d_{\text{st}} + d_f$.

4.2. Building blocks for SUSY W-algebras.

The SUSY BRST complex $C^k(\bar{\mathfrak{g}}, f)$ has a subalgebra isomorphic to the SUSY affine vertex algebra other than $V^k(\bar{\mathfrak{g}})$ constituting the SUSY BRST complex. It eventually leads to the simpler realization of SUSY W-algebra in Theorem 4.4. To observe this, we present the following ‘‘building block’’ $J_{\bar{a}}$ for $\bar{a} \in \bar{\mathfrak{g}}$.

$$(4.7) \quad J_{\bar{a}} = \bar{a} + \sum_{\beta, \gamma \in I_+} (-1)^{(p(a)+1)(p(\beta)+1)} (u^\gamma | [u_\beta, a]) : \phi^\beta \phi_\gamma : \in C^k(\bar{\mathfrak{g}}, f).$$

Let $\tilde{C}^k(\bar{\mathfrak{g}}, f)$ be the SUSY vertex subalgebra of the SUSY BRST complex $C^k(\bar{\mathfrak{g}}, f)$ generated by the subspace $J_{\bar{\mathfrak{g}}_{\leq 0}} \oplus \phi^{\mathfrak{n}^-}$. Here, $J_{\bar{\mathfrak{g}}_{\leq 0}} = \{J_{\bar{a}} | a \in \mathfrak{g}_{\leq 0}\}$ for $\mathfrak{g}_{\leq 0} = \oplus_{i \leq 0} \mathfrak{g}_i$ and $\phi^{\mathfrak{n}^-}$ is the parity reversed space of $\phi^{\mathfrak{n}^-}$ inside the SUSY charged free fermion vertex algebra.

Proposition 4.2 ([30]). *Let $\tilde{C}^k(\bar{\mathfrak{g}}, f)$ be the SUSY vertex subalgebra of $C^k(\bar{\mathfrak{g}}, f)$ as above. Then, the generators of $\tilde{C}^k(\bar{\mathfrak{g}}, f)$ satisfy the following Λ -bracket relation:*

$$\begin{aligned} [J_{\bar{a}\Lambda} J_{\bar{b}}] &= (-1)^{p(a)(p(b)+1)} J_{\overline{[a, b]}} + (k + h^\vee)(D + \chi)(a|b), \\ [\phi^\alpha \Lambda J_{\bar{a}}] &= \sum_{\beta \in I_+} (-1)^{p(\alpha)+1} ([a, u^\alpha] | u_\beta) \phi^\beta \end{aligned}$$

for any $\alpha \in I_+$ and $a, b \in \mathfrak{g}_{\leq 0}$.

Note from Proposition 4.2 that the building blocks $J_{\bar{a}}$'s for $a \in \mathfrak{g}_{\leq 0}$ satisfy the Λ -bracket relation in Example 3.5, if we replace the bilinear form τ_k by

$$(4.8) \quad \tau_k + \frac{1}{2} \kappa_{\mathfrak{g}} - \frac{1}{2} \kappa_{\mathfrak{g}_{\leq 0}}.$$

Therefore, we denote the vertex subalgebra of $\tilde{C}^k(\bar{\mathfrak{g}}, f)$ generated by $J_{\bar{a}}$'s for $a \in \mathfrak{g}_{\leq 0}$ by $V^{\zeta_k}(\bar{\mathfrak{g}}_{\leq 0})$, where $\zeta_k := k + \frac{1}{2}\kappa_{\mathfrak{g}} - \frac{1}{2}\kappa_{\mathfrak{g}_{\leq 0}}$.

Proposition 4.3. *Let d_{st} and d_f be the elements of $C^k(\bar{\mathfrak{g}}, f)$ in (4.5) and (4.6). Then*

$$\begin{aligned} [d_{st\Lambda} J_{\bar{a}}] &= \sum_{\beta \in I_+} (-1)^{(p(a)+1)p(\beta)} : \phi^\beta J_{\pi_{\leq 0}[u_\beta, a]} : - \sum_{\beta \in I_+} (-1)^{p(\beta)} (k + h^\vee)(D + \chi)(u_\beta | a) \phi^\beta, \\ [d_{st\Lambda} \phi^\alpha] &= \frac{1}{2} \sum_{\beta, \gamma \in I_+} (-1)^{(p(\alpha)+1)p(\beta)} ([u_\beta, u^\alpha] | u_\gamma) : \phi^\beta \phi^\gamma :, \\ [d_{f\Lambda} J_{\bar{a}}] &= \sum_{\beta \in I_+} (-1)^{(p(a)+1)p(\beta)} (f | [u_\beta, a]) \phi^\beta, \\ [d_{f\Lambda} \phi^\alpha] &= 0, \end{aligned}$$

where $\pi_{\leq 0} : \mathfrak{g} \rightarrow \mathfrak{g}_{\leq 0}$ is the projection map.

Proof. The equalities follow from the direct computation. \square

The complex $\tilde{C}^k(\bar{\mathfrak{g}}, f)$ has a $\mathbb{Z}_{\geq 0}$ -grading called *charge*, which satisfies

$$(4.9) \quad \text{ch}(J_{\bar{a}}) = 0, \quad \text{ch}(\phi^\alpha) = 1, \quad \text{ch}(DA) = \text{ch}(A), \quad \text{ch}(:AB:) = \text{ch}(A) + \text{ch}(B)$$

for any $a \in \mathfrak{g}_{\leq 0}$, $\alpha \in I_+$ and $A, B \in \tilde{C}^k(\bar{\mathfrak{g}}, f)$. In particular, the charge 0 subspace of $\tilde{C}^k(\bar{\mathfrak{g}}, f)$ is the SUSY affine vertex algebra $V^{\zeta_k}(\bar{\mathfrak{g}}_{\leq 0})$ generated by the building blocks. Furthermore, the complex $\tilde{C}^k(\bar{\mathfrak{g}}, f)$ is closed under the differential $d_{(0|0)}$ which increases the charge by 1. Thanks to Proposition 4.10 of [30], we have that the cohomology with respect to the complex $\tilde{C}^k(\bar{\mathfrak{g}}, f)$ and the differential $d_{(0|0)}$ is isomorphic to the SUSY W-algebra.

Theorem 4.4 ([30]). *The SUSY vertex subalgebra $\tilde{C}^k(\bar{\mathfrak{g}}, f)$ of $C^k(\bar{\mathfrak{g}}, f)$ is closed under the differential $d_{(0|0)}$ and the corresponding cohomology $H(\tilde{C}^k(\bar{\mathfrak{g}}, f), d_{(0|0)})$ is concentrated on the charge 0 space. Furthermore,*

$$(4.10) \quad W^k(\bar{\mathfrak{g}}, f) = H^0(\tilde{C}^k(\bar{\mathfrak{g}}, f), d_{(0|0)}) \subset V^{\zeta_k}(\bar{\mathfrak{g}}_{\leq 0}),$$

where H^0 is the cohomology at charge 0.

4.3. Properties of supersymmetric W-algebras.

Recall that W-algebras have a conformal vector when the level is noncritical. The grading on W-algebras given by the conformal vector, called conformal weight, plays a crucial role in analyzing W-algebras. Similarly, one can expect that SUSY W-algebras have a superconformal vector and the grading given by this vector would be crucial. We prove in Theorem 4.6 that SUSY W-algebra of a noncritical level has a superconformal vector, and see in Theorem 4.8 that SUSY W-algebra has free generators of homogeneous conformal weight. Refer to Definition 2.3 for a superconformal vector.

Recall that the SUSY BRST complex (4.4) consists of a SUSY affine vertex algebra and a SUSY charged free fermion vertex algebra. We first prove in Proposition 4.5 that the SUSY charged free fermion vertex algebra has a superconformal vector.

Proposition 4.5. *Let $F(\bar{\mathfrak{A}})$ be the SUSY charged free fermion vertex algebra associated with \mathfrak{g} . For a sequence $(m_\alpha)_{\alpha \in I_+}$ of complex numbers, the element*

$$\tau = \sum_{\alpha \in I_+} (-1)^{p(\alpha)} 2m_\alpha : (\partial\phi_\alpha)\phi^\alpha : - \sum_{\alpha \in I_+} (-1)^{p(\alpha)} (1 - 2m_\alpha) : \phi_\alpha \partial\phi^\alpha : + \sum_{\alpha \in I_+} : (D\phi_\alpha)(D\phi^\alpha) :$$

in $F(\bar{\mathfrak{A}})$ is a superconformal vector of central charge $12 \sum_{\alpha \in I_+} (-1)^{p(\alpha)} m_\alpha - 3 \text{sdim}(\mathfrak{n})$, where $\text{sdim}(\mathfrak{n})$ is the superdimension of \mathfrak{n} . Furthermore, ϕ^α (resp., ϕ_α) is primary of conformal weight m_α (resp., $\frac{1}{2} - m_\alpha$). \square

Proof. By direct calculations, we get

$$(4.11) \quad \begin{aligned} [\tau_\Lambda \phi^\alpha] &= (2\partial + 2m_\alpha + \chi D)\phi^\alpha, \\ [\tau_\Lambda \phi_\alpha] &= (2\partial + (1 - 2m_\alpha) + \chi D)\phi_\alpha \end{aligned}$$

for each $\alpha \in I_+$. Using the relations in (4.11), one can show that

$$[\tau_\Lambda \tau] = (2\partial + 3\lambda + \chi D)\tau + \chi\lambda^2 \left(4 \sum_{\alpha \in I_+} (-1)^{p(\alpha)} m_\alpha - \text{sdim}(\mathfrak{n}) \right).$$

Thus, the statement follows. \square

Recall the element H of $\mathfrak{s} \simeq \mathfrak{osp}(1|2)$, which gives the eigenspace decomposition (4.1). By shifting the sum of ω in Example 3.3 and τ in Proposition 4.5 by $\partial\bar{H}$, one can get the superconformal vector of the SUSY W-algebra.

Theorem 4.6. *For $k \neq -h^\vee$, the SUSY W-algebra $W^k(\bar{\mathfrak{g}}, f)$ is superconformal. In particular, for ω in Example 3.3 and τ in Proposition 4.5,*

$$(4.12) \quad G := \omega + \tau + \partial\bar{H}$$

is a superconformal vector of $W^k(\bar{\mathfrak{g}}, f)$ of central charge

$$(4.13) \quad \frac{k \text{sdim} \bar{\mathfrak{g}}}{k + h^\vee} + \frac{1}{2} \text{sdim} \bar{\mathfrak{g}} + 12 \sum_{\alpha \in I_+} (-1)^{p(\alpha)} m_\alpha - 3 \text{sdim}(\mathfrak{n}) - \frac{2}{3}(k + h^\vee).$$

Proof. Since we already know that ω and τ are superconformal vectors of $V^k(\bar{\mathfrak{g}})$ and $F(\bar{\mathfrak{A}})$, respectively, one can check by direct computation that $G = \omega + \tau + \partial\bar{H}$ is a superconformal vector of $C^k(\bar{\mathfrak{g}}, f)$ of central charge (4.13). In particular, we have

$$(4.14) \quad [G_\Lambda J_{\bar{a}}] = \left(2\partial + 2 \left(\frac{1}{2} - j_{\bar{a}} \right) \lambda + \chi D \right) J_{\bar{a}} - (k + h^\vee)(e|[f, a])\lambda\chi$$

for any $a \in \mathfrak{g}_{j_a}$. It means that each $J_{\bar{a}}$ has a conformal weight $\frac{1}{2} - j_a$. Hence, it is enough to show that G belongs to the SUSY W-algebra, i.e., G is killed by the differential $d_{(0|0)}$. Recall the facts that each $\bar{a} \in \bar{\mathfrak{g}}$ is primary of conformal weight $\frac{1}{2}$ with respect to ω and ϕ^α (resp., ϕ_α) is primary of conformal weight m_α (resp., $\frac{1}{2} - m_\alpha$) with respect to τ . The direct computation shows that

$$\begin{aligned} [\omega + \tau_\Lambda d] &= (2\partial + \chi D)d + \lambda \left(\sum_{\alpha \in I_+} (2m_\alpha + 1) : \bar{u}_\alpha \phi^\alpha : - \sum_{\alpha \in I_+} 2m_\alpha (f|u_\alpha) \phi^\alpha \right) \\ &\quad + \frac{1}{2} \lambda \sum_{\alpha, \beta, \gamma \in I_+} (-1)^{p(\alpha)(p(\beta)+1)} (u^\gamma |[u_\alpha, u_\beta]) : \phi_\gamma \phi^\beta \phi^\alpha :. \end{aligned}$$

Hence, using the super skew-symmetry, we have

$$(4.15) \quad d_{(0|0)}(\omega + \tau) = -2\partial \left(\sum_{\alpha \in I_+} m_\alpha : \bar{u}_\alpha \phi^\alpha : \right).$$

Similarly, one can compute that

$$[\partial\bar{H}_\Lambda d] = -2\lambda \sum_{\alpha \in I_+} m_\alpha : \bar{u}_\alpha \phi^\alpha :,$$

and the super skew-symmetry shows us that $d_{(0|0)}\partial\bar{H}$ is equal to the opposite sign of (4.15). \square

Remark 4.7. There is a superconformal vector τ^{ch} of SUSY charged free fermion vertex algebra in [36], whose formula is different from τ in Proposition 4.5. It is also true that ϕ^α and ϕ_α 's are primary with respect to τ^{ch} . Since we only used the properties of τ , not the formulation of τ in the proof of Theorem 4.6, one can show that the statement in Theorem 4.6 holds even though we replace τ with another superconformal vector τ^{ch} .

Motivated from Theorem 4.6, we say that the level k of the SUSY W-algebra is *critical* if $k = -h^\vee$. Note from the proof of Theorem 4.6 that G in (4.12) is a superconformal vector for both $C^k(\bar{\mathfrak{g}}, f)$ and $W^k(\bar{\mathfrak{g}}, f)$. Therefore, in the rest of the paper, the conformal weight of any element of $C^k(\bar{\mathfrak{g}}, f)$ or $W^k(\bar{\mathfrak{g}}, f)$ means the conformal weight given by G when the level is noncritical.

Theorem 4.8 ([30]). *Take any basis $\{a_1, \dots, a_m\}$ of $\ker(\text{ad}f) \subset \mathfrak{g}$. For a noncritical level k , there is a set of elements $S = \{J_{\bar{a}_i} + A_i\}_{i=1}^m$ in $W^k(\bar{\mathfrak{g}}, f)$ such that*

- (i) $W^k(\bar{\mathfrak{g}}, f)$ is freely generated by S ,
- (ii) $A_i \in \tilde{C}^k(\bar{\mathfrak{g}}, f)$ has charge 0 and conformal weight $\frac{1}{2} - j_{a_i}$, where $a_i \in \mathfrak{g}_{j_{a_i}}$,
- (iii) the linear term of A_i is a total derivative with respect to D .

We note here that each element $J_{\bar{a}_i} + A_i$ in Theorem 4.8 is homogeneous of conformal weight $\frac{1}{2} - j_{a_i}$. This is due to the equality (4.14).

Remark 4.9. In the original paper [30], the theorem is stated for any $k \in \mathbb{C}$. A cohomological approach is used to accomplish this by setting the degree of $J_{\bar{a}}$ by $\frac{1}{2} - j_a$, without requiring the existence of a superconformal vector. Note that this degree coincides with the conformal weight (4.14) for noncritical levels.

4.4. Classical SUSY W-algebra.

In this section, we briefly study the quasi-classical limits of SUSY W-algebras, which give the description of SUSY classical W-algebras via SUSY BRST complexes. We use all the notations introduced in Section 4.1 and 4.2 and refer to Proposition 2.8 for the quasi-classical limit of SUSY vertex algebras.

For an even formal variable y , let $\hat{C}_y(\bar{\mathfrak{g}}, f)$ be the SUSY vertex algebra over $\mathbb{C}[y]$ generated by $\hat{J}_{\bar{a}}$, $a \in \mathfrak{g}_{\leq 0}$ and $\hat{\phi}^\alpha$, $\alpha \in I_+$ with the following Λ -bracket relations

$$(4.16) \quad \begin{aligned} [\hat{J}_{\bar{a}\Lambda} \hat{J}_{\bar{b}}]_y &= (-1)^{p(a)(p(b)+1)} y \hat{J}_{\frac{[a, b]}{[a, b]}} + y(D + \chi)(a|b), \\ [\hat{\phi}^\alpha \Lambda \hat{J}_{\bar{a}}]_y &= y \sum_{\beta \in I_+} (-1)^{p(\alpha)+1} ([a, u^\alpha] | u_\beta) \phi^\beta, \\ [\hat{\phi}^\alpha \Lambda \hat{\phi}^\beta]_y &= 0. \end{aligned}$$

Suppose $\hat{C}_y(\bar{\mathfrak{g}}, f)$ is equipped with the odd differentials $d_{\text{st}(0|0)}$ and $d_{f(0|0)}$ defined by

$$(4.17) \quad \begin{aligned} [d_{\text{st}\Lambda} \hat{J}_{\bar{a}}]_y &= \sum_{\beta \in I_+} (-1)^{(p(a)+1)p(\beta)} : \hat{\phi}^\beta \hat{J}_{\frac{[a, u_\beta]}{\pi_{\leq 0}[u_\beta, a]}} : - \sum_{\beta \in I_+} (-1)^{p(\beta)} (D + \chi)(u_\beta | a) \hat{\phi}^\beta, \\ [d_{\text{st}\Lambda} \hat{\phi}^\alpha]_y &= \frac{1}{2} \sum_{\beta, \gamma \in I_+} (-1)^{(p(\alpha)+1)p(\beta)} ([u_\beta, u^\alpha] | u_\gamma) : \hat{\phi}^\beta \hat{\phi}^\gamma :, \\ [d_{f\Lambda} \hat{J}_{\bar{a}}]_y &= \sum_{\beta \in I_+} (-1)^{(p(a)+1)p(\beta)} (f | [u_\beta, a]) \hat{\phi}^\beta, \quad [d_{f\Lambda} \hat{\phi}^\alpha]_y = 0. \end{aligned}$$

The quasi-classical limit of this family of SUSY vertex algebras with differentials can be described with the evaluation of y at 0, as can be seen in Proposition 2.8. For $\epsilon \in \mathbb{C}$, let the evaluation of $\hat{C}_y(\bar{\mathfrak{g}}, f)$ at $y = \epsilon$ be the space over \mathbb{C} defined by

$$(4.18) \quad \hat{C}_\epsilon := \hat{C}_y(\bar{\mathfrak{g}}, f) \otimes_{\mathbb{C}[y]} \mathbb{C}_\epsilon,$$

where \mathbb{C}_ϵ is a 1-dimensional $\mathbb{C}[y]$ -module with y acting as ϵ . Note that the evaluation at $y = \frac{1}{k+h^\vee}$ recovers the original SUSY BRST complex for noncritical k . To be explicit,

$$(4.19) \quad \hat{C}_{\frac{1}{k+h^\vee}} \simeq \tilde{C}^k(\bar{\mathfrak{g}}, f),$$

if we take $\hat{J}_{\bar{a}} = \frac{1}{k+h^\vee} J_{\bar{a}}$ and $\hat{\phi}^\alpha = \phi_\alpha$ for $a \in \mathfrak{g}_{\leq 0}$ and $\alpha \in I_+$. Now, the quasi-classical limit of the family results in the supersymmetric SUSY vertex algebra

$$(4.20) \quad \tilde{C}^\infty := \hat{C}_0,$$

which is also a SUSY Poisson vertex algebra with a Poisson Λ -bracket $\{A_\Lambda B\} = \frac{1}{y} [A_\Lambda B]_y|_{y=0}$. Let $d_{(0|0)}$ be the induced differential on \tilde{C}^∞ given by the sum of $d_{\text{st}(0|0)}$ and $d_{f(0|0)}$. Then, the cohomology with this differential defines the classical SUSY W-algebra.

Definition 4.10. Let \mathfrak{g} be a finite basic simple Lie superalgebra with an odd nilpotent f that lies in a subalgebra isomorphic to $\mathfrak{osp}(1|2)$. The *classical SUSY W-algebra associated with \mathfrak{g} and f* is the cohomology

$$W^\infty(\bar{\mathfrak{g}}, f) := H(\tilde{C}^\infty, d_{(0|0)}),$$

which has a Poisson vertex algebra structure inherited from \tilde{C}^∞ .

Remark 4.11. The classical SUSY W-algebras are often defined as the invariant subspace of the SUSY affine Poisson vertex algebra under the gauge action. In [35], it is shown that this definition is equivalent to Definition 4.10.

5. FREE FIELD REALIZATION OF SUPERSYMMETRIC W-ALGEBRAS

In this section, we inherit the notations in Section 4 to show the free field realization of SUSY W-algebra as a kernel of screening operators. The statements in this section that involve a complex parameter $k \in \mathbb{C}$ hold generically, even if it is not mentioned.

5.1. Notations for Lie superalgebras.

For later use, we briefly introduce the notations that are used throughout this section. Let $\mathfrak{h} \subset \mathfrak{g}$ be the Cartan subalgebra, and Φ , Φ_+ and Π be the set of roots, positive roots, and simple roots of \mathfrak{g} , respectively. Also, denote

$$(5.1) \quad \Phi_0 := \{\alpha \in \Phi \mid \text{a root vector of } \alpha \text{ is in } \mathfrak{g}_0\},$$

and the corresponding root lattice is denoted by $Q_0 := \sum_{\alpha \in \Phi_0} \mathbb{Z}\alpha$. Recall the index set I_+ in Section 4.1 parametrizing the basis $\{u_\alpha\}_{\alpha \in I_+}$ of \mathfrak{n} . Since we assume that each u_α is a root vector of some positive root α , we have $I_+ \subset \Phi_+$. For $\alpha \in I_+$, we say that α is indecomposable in I_+ if it cannot be expressed as a sum of two elements of I_+ . Otherwise, we say it is decomposable. Denote

$$(5.2) \quad I_0 := \{\alpha \in I_+ \mid \alpha \text{ is indecomposable in } I_+\}$$

and define the equivalence relation \sim on I_0 by

$$(5.3) \quad \alpha \sim \beta \Leftrightarrow \alpha - \beta \in Q_0.$$

For $\alpha \in I_0$, let $[\alpha]$ be the equivalence class in I_0 containing α , and $[I_0]$ be the set of equivalence classes. Due to the Lie superalgebra theory [31], the Lie bracket of a root vector of α and β is a root vector of $\alpha + \beta$ whenever $\alpha + \beta$ is a root of \mathfrak{g} . Hence, the conditions in (5.2) and (5.3) can be understood as the Lie brackets between the root vectors u_α 's and u^α 's.

Lemma 5.1. *Recall the dual bases $\{u_\alpha\}_{\alpha \in I_+}$ and $\{u^\alpha\}_{\alpha \in I_+}$ introduced in Section 4.1.*

(1) *A positive root $\alpha \in I_+$ is indecomposable if and only if $(u^\alpha|[u_\beta, u_\gamma]) = 0$ for any $\beta, \gamma \in I_+$.*

(2) *For $\alpha, \beta \in I_0$, $\alpha \sim \beta$ if and only if there exists $a \in \mathfrak{g}_0$ such that $(a|[u^\alpha, u_\beta]) \neq 0$.*

Proof. For $\beta, \gamma \in I_+$, their sum $\beta + \gamma$ is also an element of I_+ if it is a root. Hence, $[u_\beta, u_\gamma] = cu_{\alpha+\beta}$ for nonzero constant c . It shows the statement (1) of the lemma. Similarly, if $\alpha - \beta$ is a root, $[u^\alpha, u_\beta]$ is a root vector of $-\alpha + \beta$, which proves the statement (2). \square

5.2. Weight filtration.

Recall from Theorem 4.4 that the SUSY W-algebra $W^k(\bar{\mathfrak{g}}, f)$ is a subspace of the charge 0 space of $\tilde{C}^k(\bar{\mathfrak{g}}, f)$. For the sake of simplicity, we denote $\tilde{C}^k = \tilde{C}^k(\bar{\mathfrak{g}}, f)$ in this section. In addition to the charge degree, \tilde{C}^k has a $\mathbb{Z}_{\geq 0}$ -grading called the *weight* given by

$$(5.4) \quad \begin{aligned} \text{wt } J_{\bar{a}} &= -2j_{\bar{a}} & \text{if } a \in \mathfrak{g}_{j_{\bar{a}}} \ (j_{\bar{a}} \leq 0), \\ \text{wt } \phi^\alpha &= 2j_\alpha & \text{if } u_\alpha \in \mathfrak{g}_{j_\alpha} \ (j_\alpha > 0), \\ \text{wt } |0\rangle &= 0, & \text{wt } (DA) = \text{wt}(A), \\ \text{wt } (:AB:) &= \text{wt}(A) + \text{wt}(B) \end{aligned}$$

for any $A, B \in \tilde{C}^k$. By Proposition 4.3, one can immediately see that d_{st} preserves the weight and d_f raises the weight by 2. Therefore, $d_{(0|0)}(F_p \tilde{C}^k) \subset F_p \tilde{C}^k$ for any $p \in \mathbb{Z}_{\geq 0}$ if we consider the filtration

$$F_p \tilde{C}^k = \{A \in \tilde{C}^k \mid \deg A \geq p\}.$$

Hence, with use of the differential $d_{(0|0)}$, the filtered space $F_\bullet \tilde{C}^k$ gives the spectral sequence, whose total complex $\{E_n^k\}_{n \geq 0}$ converges to $H(\tilde{C}^k, d_{(0|0)}) = W^k(\bar{\mathfrak{g}}, f)$. Denote the differential of the spectral sequence in the n th page by d_n . Observing the weight change by d_{st} and d_f , one can see that

$$(5.5) \quad d_0 = d_{\text{st}(0|0)}, \quad d_2 = d_{f(0|0)}$$

and $d_n = 0$ for all other n 's. This implies $E_1^k = E_2^k$, and

$$(5.6) \quad W^k(\bar{\mathfrak{g}}, f) = H(\tilde{C}^k, d_{(0|0)}) \simeq H(E_2^k, d_2).$$

The description (5.6) of SUSY W-algebras eventually gives the free field realization. In particular, the structure of $E_2^k = E_1^k$ is given by SUSY Heisenberg vertex algebra, and the action of d_2 on the space E_1^k gives the screening operators. In the following sections, we give these investigations one by one.

5.3. The first total complex.

In this section, we observe the structure of $E_1^k = H(\tilde{C}^k, d_{\text{st}(0|0)})$. The key idea is that one can analyze the structure of E_1^k in a classical setting. Recall the space \tilde{C}^∞ in Section 4.4 obtained by the quasi-classical limit of \tilde{C}^k . For the differential $d_{\text{st}(0|0)}$ on \tilde{C}^∞ , set

$$(5.7) \quad E_1^\infty = H(\tilde{C}^\infty, d_{\text{st}(0|0)}).$$

Note that the charge in (4.9) induces a $\mathbb{Z}_{\geq 0}$ -grading on \tilde{C}^∞ which we also call the charge.

Lemma 5.2. *The set*

$$S := \{k \in \mathbb{C} \mid H(\tilde{C}^k, d_{\text{st}(0|0)}) \simeq H(\tilde{C}^\infty, d_{\text{st}(0|0)})\}$$

is Zariski dense in \mathbb{C} , where $(\tilde{C}^\infty, d_{\text{st}(0|0)})$ is the chain complex introduced in Section 4.4.

Proof. Let $\epsilon = \frac{1}{k+h^\vee}$ and recall the complex \hat{C}_y and $\mathbb{C}[y]$ -module \mathbb{C}_ϵ in Section 4.4. From the algebraic geometry theory, we have the set

$$(5.8) \quad \tilde{S} := \{k \in \mathbb{C} \mid H(\hat{C}_y \otimes_{\mathbb{C}[y]} \mathbb{C}_\epsilon, d_{\text{st}(0|0)}) \simeq H(\hat{C}_y, d_{\text{st}(0|0)}) \otimes_{\mathbb{C}[y]} \mathbb{C}_\epsilon\},$$

which is Zariski dense in \mathbb{C} . We prove the lemma by showing that \tilde{S} is contained in S . From (4.19), we know that the LHS of the condition in (5.8) is equal to $H(\tilde{C}^k, d_{\text{st}(0|0)})$. Hence, we need to show that

$$(5.9) \quad H(\hat{C}_y, d_{\text{st}(0|0)}) \otimes_{\mathbb{C}[y]} \mathbb{C}_\epsilon \simeq H(\tilde{C}^\infty, d_{\text{st}(0|0)}).$$

Consider the filtration on \hat{C}_y given by $F_p \hat{C}_y = y^p \hat{C}_y$ for nonnegative integer p . Note from (4.17) that the differential $d_{\text{st}(0|0)}$ preserves the filtration, implying that the spectral sequence made up from the above filtration has a vacuous differential on every n th page for $n \geq 1$. Therefore, we get the isomorphism of cohomologies

$$(5.10) \quad H(\hat{C}_y, d_{\text{st}(0|0)}) \simeq H(E_{y,0}, d_{\text{st}(0|0)}),$$

where $E_{y,0}$ is the total complex on the 0th page. By the construction of the spectral sequence, $E_{y,0}$ has the same generators as $\hat{C}_y/y\hat{C}$, but the ground ring is $\mathbb{C}[y]$ not \mathbb{C} . Combining this with (4.20), we get

$$(5.11) \quad H(E_{y,0}, d_{\text{st}(0|0)}) \simeq H(\tilde{C}^\infty, d_{\text{st}(0|0)}) \otimes \mathbb{C}[y].$$

Evaluate $y = \epsilon$ in (5.10) and (5.11), then the isomorphism (5.9) follows. Thus, we can conclude that $S \supset \tilde{S}$ is also Zariski dense in \mathbb{C} . \square

Notice that the set S in Lemma 5.2 can be restated as $S = \{k \in \mathbb{C} \mid E_1^k \simeq E_1^\infty\}$. Hence, the study of E_1^∞ would contribute to understanding E_1^k of generic k . Furthermore, since the cohomology (5.6) is concentrated on the charge 0 space and the differential d_2 raises the charge by 1, it is enough to see the subspace of E_1^k of charge at most 1. For E_1^k and E_1^∞ , denote their subspace of charge at most 1 by

$$(5.12) \quad E_1^k(\leq 1), \quad E_1^\infty(\leq 1),$$

respectively. Now, we see that $E_1^k(\leq 1)$ can be viewed as a $V^{\xi_k}(\bar{\mathfrak{g}}_0)$ -module. Here, the space $V^{\xi_k}(\bar{\mathfrak{g}}_0)$ is the SUSY affine vertex algebra with shifted level

$$\xi_k = k + \frac{1}{2}\kappa_{\mathfrak{g}} - \frac{1}{2}\kappa_{\mathfrak{g}_0}$$

as in (4.8).

Proposition 5.3. *Let E_1^∞ be the cohomology (5.7) and consider its subspace $E_1^\infty(\leq 1)$ of charge at most 1. As a vector superspace,*

$$E_1^\infty(\leq 1) \simeq \mathcal{V}(\bar{\mathfrak{g}}_0) \oplus \left(\mathcal{V}(\bar{\mathfrak{g}}_0) \otimes \bigoplus_{\alpha \in I_0} \phi^\alpha \right),$$

where $\mathcal{V}(\bar{\mathfrak{g}}_0)$ is the supercommutative SUSY vertex subalgebra of E_1^∞ freely generated by $J_{\bar{\mathfrak{g}}_0} = \{J_{\bar{a}_m} \mid m \in M\}$, where $\{a_m \mid m \in M\}$ is a basis for \mathfrak{g}_0 .

Proof. See Appendix A.2. □

As a result of Proposition 5.3, we get

$$(5.13) \quad E_1^k(\leq 1) \simeq V^{\xi_k}(\bar{\mathfrak{g}}_0) \oplus \left(V^{\xi_k}(\bar{\mathfrak{g}}_0) \otimes \bigoplus_{\alpha \in I_0} \phi^\alpha \right),$$

where $V^{\xi_k}(\bar{\mathfrak{g}}_0)$ is the SUSY vertex subalgebra of E_1^k freely generated by $J_{\bar{\mathfrak{g}}_0}$. In particular, (5.13) implies that one does not need to consider the elements ϕ^α for decomposable $\alpha \in I_+$. Hence, the Λ -brackets between the elements of (5.13) are all the same with Proposition 4.2, except that the summation is over the set I_0 .

Regarding $V^{\xi_k}(\bar{\mathfrak{g}}_0)$ as a vertex algebra, the total complex E_1^k can be seen as a $V^{\xi_k}(\bar{\mathfrak{g}}_0)$ -module with the adjoint action. Since we have the isomorphism (5.13), it is easy to see that $E_1^k(\leq 1)$ is closed under the action of $V^{\xi_k}(\bar{\mathfrak{g}}_0)$. However, take notice that each subspace $V^{\xi_k}(\bar{\mathfrak{g}}_0) \otimes \phi^\alpha$ for $\alpha \in I_0$ may not be closed under the action of $V^{\xi_k}(\bar{\mathfrak{g}}_0)$. Instead, we have the decomposition as in Theorem 5.4.

Theorem 5.4. *For generic $k \in \mathbb{C}$, the space $E_1^k(\leq 1)$ in (5.12) is a $V^{\xi_k}(\bar{\mathfrak{g}}_0)$ -module with the adjoint action. Moreover, it can be decomposed as a direct sum of submodules as*

$$(5.14) \quad E_1^k(\leq 1) \simeq V^{\xi_k}(\bar{\mathfrak{g}}_0) \oplus \bigoplus_{[\alpha] \in [I_0]} M_{[\alpha]},$$

where $M_{[\alpha]} = V^{\xi_k}(\bar{\mathfrak{g}}_0) \otimes \bigoplus_{\beta \in [\alpha]} \phi^\beta$ for each $[\alpha] \in [I_0]$. Here, the set $[I_0]$ is the set of equivalence classes with respect to (5.3).

Proof. Due to the observation above, it is enough to show that each $M_{[\alpha]}$ is a submodule of $E_1^k(\leq 1)$. As a result of (5.13) and Lemma 5.1, we have

$$(5.15) \quad [J_{\bar{a}\Lambda} \phi^\alpha] = \sum_{\beta \in [\alpha]} (-1)^{(p(\alpha)+1)p(a)} ([a, u^\alpha] | u_\beta) \phi^\beta$$

for $a \in \mathfrak{g}_0$ and $\alpha \in I_0$. Since the summation on the RHS is over the set $[\alpha]$, each $M_{[\alpha]}$ is a submodule of $E_1^k(\leq 1)$. □

When $\mathfrak{g}_0 = \mathfrak{h}$, the description in Theorem 5.4 gets simpler. First, the SUSY vertex algebra $V^{\xi_k}(\bar{\mathfrak{g}}_0)$ is isomorphic to the SUSY Heisenberg vertex algebra. Second, since the set Φ_0 in (5.1) is empty in this case, we get

$$(5.16) \quad I_+ = \Phi_+, \quad I_0 = \Pi, \quad [I_0] = I_0$$

making the equivalence relation (5.3) trivial. Moreover, each submodule $M_{[\alpha]}$ can be understood as a Fock representation π_β or $\tilde{\pi}_\beta$ for some $\beta \in \mathfrak{h}^*$.

Corollary 5.5. *Assume that $\mathfrak{g}_0 = \mathfrak{h}$ and denote the corresponding SUSY Heisenberg vertex algebra by $\hat{\pi}$. Then for generic $k \in \mathbb{C}$, $E_1^k(\leq 1)$ is a $\hat{\pi}$ -module and it is decomposed as a direct sum of $\hat{\pi}$ -submodules as*

$$(5.17) \quad E_1^k(\leq 1) \simeq \bigoplus_{\alpha \in \Pi \sqcup \{0\}} \hat{\pi}_{-\frac{\alpha}{\nu}},$$

where $\nu = \sqrt{k + \hbar^\vee}$ and $\hat{\pi}_{-\frac{\alpha}{\nu}}$'s are the Fock representations defined by

$$(5.18) \quad \hat{\pi}_{-\frac{\alpha}{\nu}} = \begin{cases} \pi_{-\frac{\alpha}{\nu}}^{\mathfrak{h}} & \text{if } \alpha \text{ is odd or zero,} \\ \tilde{\pi}_{-\frac{\alpha}{\nu}}^{\mathfrak{h}} & \text{if } \alpha \text{ is even.} \end{cases}$$

Proof. Recall that $\hat{\pi}$ is isomorphic to the SUSY affine vertex algebra $V^1(\bar{\mathfrak{h}})$. In fact, the SUSY affine vertex algebra $V^{\xi_k}(\bar{\mathfrak{g}}_0) = V^{k+\hbar^\vee}(\bar{\mathfrak{h}})$ for $k \neq -\hbar^\vee$ is regardless of its level, since the generators $j_h := \frac{1}{\nu} J_{\bar{h}} \in V^{k+\hbar^\vee}(\bar{\mathfrak{h}})$ for $h \in \mathfrak{h}$ satisfy the relation

$$(5.19) \quad [j_{h\Lambda} j_{h'}] = (h|h')\chi,$$

resolving the level difference. It implies that $V^{\xi_k}(\bar{\mathfrak{g}}_0) \simeq V^1(\bar{\mathfrak{h}}) \simeq \hat{\pi}$. Also, we have $[I_0] = \Pi$ in (5.16) and hence Theorem 5.4 gives us

$$(5.20) \quad E_1^k(\leq 1) \simeq \hat{\pi}_0 \oplus \bigoplus_{\alpha \in \Pi} M_\alpha,$$

where $M_\alpha = V^{\xi_k}(\bar{\mathfrak{g}}_0) \otimes \phi^\alpha$ is a $\hat{\pi}$ -module with the adjoint action for each $\alpha \in \Pi$. Rewrite (5.15) with the new generators j_h 's for $\hat{\pi}$ to get

$$(5.21) \quad [j_{\bar{h}\Lambda} \phi^\alpha] = \frac{1}{\nu} ([h, u^\alpha] | u_\alpha) \phi^\alpha = -\frac{1}{\nu} \alpha(h) \phi^\alpha.$$

Notice that the brackets (5.19) and (5.21) look the same as (3.9). Thus, we have the following isomorphism of $\hat{\pi}$ -modules:

$$(5.22) \quad M_\alpha \rightarrow \hat{\pi}_{-\frac{\alpha}{\nu}}, \quad \phi^\alpha \mapsto |-\frac{\alpha}{\nu}\rangle.$$

□

5.4. Free field realization of SUSY W-algebras.

We gather the results of Section 5.2 and 5.3 to get the realization of SUSY W-algebras in Theorem 5.7 and 5.9. Recall in (5.6) that SUSY W-algebras are isomorphic to the cohomology $H(E_1^k, d_2)$. Since we already have the description of E_1^k from Section 5.3, it remains to study the differential d_2 on E_1^k . In particular, when $\mathfrak{g}_0 = \mathfrak{h}$, the action of d_2 induces the formula for the screening operators. Recall from (5.5) that $d_2 = d_f|_{(0|0)}$ on E_1^k , where $d_f = -\sum_{\alpha \in I_+} (f|u_\alpha) \phi^\alpha$.

Lemma 5.6. *For generic $k \in \mathbb{C}$, any $J_{\bar{a}} \in E_1^k$ for $a \in \mathfrak{g}_0$ satisfies*

$$(5.23) \quad \phi^\alpha|_{(0|0)} J_{\bar{a}} = 0$$

if $\alpha \in I_+$ is decomposable.

Proof. Since α is decomposable, assume $u^\alpha = [u^\beta, u^\gamma]$ for some $\beta, \gamma \in I_+$. Then Proposition 4.2 implies that in \widehat{C}^k ,

$$(5.24) \quad [\phi^\alpha \Lambda J_{\bar{a}}] = (-1)^{p(\alpha)+1} \phi^{[a, u^\beta], u^\gamma} + (-1)^{p(a)p(\beta)+p(\alpha)+1} \phi^{u^\beta [a, u^\gamma]}$$

for any $a \in \mathfrak{g}_0$. Here, each of $[a, u^\beta]$ and $[a, u^\gamma]$ belongs to \mathfrak{n} , which implies that each term in the RHS of (5.24) is expressed as a linear sum of ϕ^τ 's for decomposable $\tau \in I_+$. As pointed out in (5.13), $\phi^\tau = 0$ in E_1^k if τ is decomposable. Thus, the statement follows. □

Due to Lemma 5.6, the element ϕ^α for decomposed $\alpha \in I_+$ does not contribute to the action of d_f on E_1^k . Hence, one can regard the differential d_f on E_1^k as

$$(5.25) \quad d_f = - \sum_{\alpha \in I_0} (f|u_\alpha) \phi^\alpha,$$

whose summation is over the set of indecomposables I_0 . Considering the $V^{\xi_k}(\bar{\mathfrak{g}}_0)$ -module structure of the first total complex in Theorem 5.4, one can divide the summation (5.25) using the equivalence relation in the set I_0 .

Theorem 5.7. *For generic $k \in \mathbb{C}$, the SUSY W-algebra of level k is isomorphic to*

$$(5.26) \quad W^k(\bar{\mathfrak{g}}, f) \simeq \bigcap_{[\alpha] \in [I_0]} \ker \left(\sum_{\beta \in [\alpha]} (f|u_\beta) \phi^\beta \right) \subset V^{\xi_k}(\bar{\mathfrak{g}}_0),$$

where $\phi^\alpha_{(0|0)} : V^{\xi_k}(\bar{\mathfrak{g}}_0) \rightarrow M_{[\alpha]}$ is given by the adjoint action on E_1^k .

Proof. Combining Theorem 5.4, (5.25) and (5.6), we have

$$(5.27) \quad W^k(\bar{\mathfrak{g}}, f) \simeq \ker \left(\sum_{\alpha \in I_0} (f|u_\alpha) \phi^\alpha_{(0|0)} \right) \subset V^{\xi_k}(\bar{\mathfrak{g}}_0).$$

This is because the SUSY W-algebra is concentrated on the charge zero subspace. To show the statement, it is enough to see that the range of $\phi^\alpha_{(0|0)}$ and $\phi^\beta_{(0|0)}$ for $\alpha, \beta \in I_0$ are disjoint in $E_1^k(\leq 1)$ if α, β are not equivalent. In particular, we show that the range of $\phi^\alpha_{(0|0)}$ is contained in the $V^{\xi_k}(\bar{\mathfrak{g}}_0)$ -module $M_{[\alpha]}$ in Theorem 5.4. Notice from Proposition 4.2 and Lemma 5.1 that for any $\alpha \in I_0$ and $a \in \mathfrak{g}_0$, we have

$$[\phi^\alpha_\Lambda J_{\bar{a}}] = \sum_{\beta \in [\alpha]} (-1)^{p(\alpha)+1} ([a, u^\alpha]|u_\beta) \phi^\beta$$

on E_1^k . Since the summation on the RHS is over the equivalence class $[\alpha]$, we conclude that the range of the linear map

$$(5.28) \quad \phi^\alpha_{(0|0)} : V^{\xi_k}(\bar{\mathfrak{g}}_0) \rightarrow M_{[\alpha]}, \quad J_{\bar{a}} \mapsto \phi^\alpha_{(0|0)} J_{\bar{a}}.$$

is contained in $M_{[\alpha]}$. \square

When $\mathfrak{g}_0 = \mathfrak{h}$, the SUSY affine vertex algebra $V^{\xi_k}(\bar{\mathfrak{g}}_0)$ is isomorphic to the SUSY Heisenberg vertex algebra $\hat{\pi}$ as in Corollary 5.5. Furthermore, we have the simpler description of the set $[I_0]$ and the range of ϕ^α 's in (5.16) and (5.22). Thus, Theorem 5.7 immediately shows that the SUSY W-algebra of a generic level is embedded into the SUSY Heisenberg vertex algebra.

Corollary 5.8. *Assume that $\mathfrak{g}_0 = \mathfrak{h}$. Consider the corresponding SUSY Heisenberg vertex algebra $\hat{\pi}$, and their Fock representations $\hat{\pi}_{-\frac{\alpha}{\nu}}$'s for $\alpha \in \Pi$ defined in (5.18). Then for generic $k \in \mathbb{C}$, the SUSY W-algebra of level k can be realized as a vertex subalgebra of $\hat{\pi}$ given by*

$$(5.29) \quad W^k(\bar{\mathfrak{g}}, f) \simeq \bigcap_{\substack{\alpha \in \Pi \\ (f|u_\alpha) \neq 0}} \ker \left(\left| -\frac{\alpha}{\nu} \right\rangle_{(0|0)} \right) \subset \hat{\pi},$$

where $\nu = \sqrt{k+h^\vee}$ and $\left| -\frac{\alpha}{\nu} \right\rangle_{(0|0)} : \hat{\pi} \rightarrow \hat{\pi}_{-\frac{\alpha}{\nu}}$ is given by the adjoint action in $E_1^k(\leq 1) \simeq \bigoplus_{\alpha \in \Pi \sqcup \{0\}} \hat{\pi}_{-\frac{\alpha}{\nu}}$ via the identification $\left| -\frac{\alpha}{\nu} \right\rangle \in \hat{\pi}_{-\frac{\alpha}{\nu}}$ with ϕ^α in $E_1^k(\leq 1)$. \square

The identification in Corollary 5.8 is also used in proving Corollary 5.5. Recall in the proof that the isomorphisms are given by

$$(5.30) \quad \begin{aligned} V^{k+h^\vee}(\bar{\mathfrak{h}}) &\rightarrow \hat{\pi}, & j_h = \frac{1}{\nu} J_{\bar{h}} &\mapsto \bar{h}_{(-1)} |0\rangle; \\ V^{k+h^\vee}(\bar{\mathfrak{h}}) \otimes \phi^\alpha &\rightarrow \hat{\pi}_{-\frac{\alpha}{\nu}}, & \phi^\alpha &\mapsto \left| -\frac{\alpha}{\nu} \right\rangle. \end{aligned}$$

From now on, we fix $\hat{\pi}_{-\frac{\alpha}{\nu}}$ to denote the Fock representations in (5.18) for $\alpha \in \Pi \sqcup \{0\}$, and do not distinguish the elements of each pair of the isomorphic spaces under the map (5.30).

Using the properties of the superfields in Appendix A.1, one can write explicitly the formula of $|\!-\frac{\alpha}{\nu}\rangle_{(0|0)}$ for each $\alpha \in \Pi$ in (5.29).

For the statement, we introduce the necessary notations. For an even variable z and an odd variable θ , denote them as a tuple $Z = (z, \theta)$ if $\theta^2 = 0$. For $n \in \mathbb{Z}$ and $i = 0, 1$, define the $n|i$ th power of Z by

$$(5.31) \quad Z^{n|i} := z^n \theta^i.$$

Let V be a vector superspace. The space of formal Laurent series in Z with coefficients in V is denoted by $V((Z)) := \mathbb{C}((z)) \otimes \mathbb{C}[\theta] \otimes V$. An element of $V((Z))$ is of the form

$$(5.32) \quad A(Z) = \sum_{\substack{n \geq N \\ i=0,1}} Z^{n|i} A_{n|i} = \sum_{n \geq N} z^n A_{n|0} + \theta \sum_{n \geq N} z^n A_{n|1}$$

for some $N \in \mathbb{Z}$ and $A_{n|i} \in V$. The linear map called *super residue* is given by

$$(5.33) \quad \int dZ : V((Z)) \rightarrow V, \quad A(Z) \mapsto \int A(Z) dZ = A_{-1|1}$$

for $A(Z)$ in (5.32). For any simple root $\alpha \in \Pi$, define $e^{-\frac{1}{\nu} \int \alpha(Z)}$ to be the formal Laurent series with coefficients in $\text{End}_{\mathbb{C}}(\hat{\pi}, \hat{\pi}_{-\frac{\alpha}{\nu}})$ by

$$(5.34) \quad e^{-\frac{1}{\nu} \int \alpha(Z)} = s_{-\frac{\alpha}{\nu}} \exp\left(-\frac{1}{\nu} \sum_{n < 0} Z^{-n-1|1} \alpha_{(n|1)}\right) \exp\left(\frac{1}{\nu} \sum_{n < 0} \frac{Z^{-n|0}}{j} \alpha_{(n|0)}\right) \\ \exp\left(\frac{1}{\nu} \sum_{n > 0} \frac{Z^{-n|0}}{n} \alpha_{(n|0)}\right) \exp\left(-\frac{1}{\nu} \sum_{n \geq 0} Z^{-n-1|1} \alpha_{(n|1)}\right) Z^{-\frac{1}{\nu} \alpha_{(0|0)}|0}.$$

In (5.34), the exponential of the Laurent series is defined using the power sum, and the element $\alpha \in \hat{\pi}$ is given by $\alpha = (\bar{h}_{\alpha})_{(-1)} |0\rangle \in \hat{\pi}$ for the coroot $h_{\alpha} \in \mathfrak{h}$ of α . Also, $s_{-\frac{\alpha}{\nu}} : \hat{\pi} \rightarrow \hat{\pi}_{-\frac{\alpha}{\nu}}$ is the linear operator of parity $p(u_{\alpha}) + 1$ determined by the properties

$$(5.35) \quad s_{-\frac{\alpha}{\nu}} |0\rangle = \left|-\frac{\alpha}{\nu}\right\rangle, \quad [\bar{h}_{(n|i)}, s_{-\frac{\alpha}{\nu}}] = 0 \text{ for } (n|i) \neq 0, \quad [\bar{h}_{(0|0)}, s_{-\frac{\alpha}{\nu}}] = -\frac{1}{\nu} \beta(h) s_{-\frac{\alpha}{\nu}}$$

for any $h \in \mathfrak{h}$.

Theorem 5.9. *Assume that $\mathfrak{g}_0 = \mathfrak{h}$. Then the SUSY W-algebra of generic level k can be realized as a SUSY vertex subalgebra of the SUSY Heisenberg vertex algebra $\hat{\pi}$ in the following way:*

$$(5.36) \quad W^k(\bar{\mathfrak{g}}, f) \simeq \bigcap_{\substack{\alpha \in \Pi \\ (f|u_{\alpha}) \neq 0}} \ker \int e^{-\frac{1}{\nu} \int \alpha(Z)} dZ \subset \hat{\pi}.$$

Here, the formula of $e^{-\frac{1}{\nu} \int \alpha(Z)}$ is given in (5.34) for $\nu = \sqrt{k + h^{\vee}}$, and $\int dZ$ is the super residue in (5.33). For each $\alpha \in \Pi$ with $(f|u_{\alpha}) \neq 0$, we call $\int e^{-\frac{1}{\nu} \int \alpha(Z)} dZ$ the screening operator for α .

Proof. We postpone the proof until Appendix A.3 since it uses the properties of the superfields in Appendix A.1. \square

Remark 5.10. Recall in the W-algebra theory, the formulas of the screening operators are given by the vertex operators of the highest weight vectors in lattice vertex algebras. For SUSY W-algebras, the analogous statement holds. This can be checked by the paper [19] which shows that (5.34) is the superfield of $|\!-\frac{\alpha}{\nu}\rangle$ in the SUSY lattice vertex algebra $V := \bigoplus_{\alpha \in \Pi \cup \{0\}} \hat{\pi}_{-\frac{\alpha}{\nu}}$. Moreover, one can see from Appendix A.3 that the SUSY vertex algebra structure of V given by the isomorphism in Corollary 5.5 is the same as the one in [19].

5.5. Relation with Miura map.

In this section, we give the concrete expression of the realization of SUSY W-algebras in Theorem 5.7. To be precise, we show that the isomorphism is the same as the Miura map. From this description, one can find the corresponding element in $V^{\xi_k}(\bar{\mathfrak{g}}_0)$ whenever we find the element of SUSY W-algebra in terms of the building blocks.

Recall from Theorem 4.4 that the SUSY W-algebra $W^k(\bar{\mathfrak{g}}, f)$ can be realized as a vertex subalgebra of $V^{\xi_k}(\bar{\mathfrak{g}}_{\leq 0})$. Compose it with the the projection $V^{\xi_k}(\bar{\mathfrak{g}}_{\leq 0}) \rightarrow V^{\xi_k}(\bar{\mathfrak{g}}_0)$ to obtain the linear map

$$(5.37) \quad \mu_k : W^k(\bar{\mathfrak{g}}, f) \rightarrow V^{\xi_k}(\bar{\mathfrak{g}}_0),$$

called the *Miura map* for a SUSY W-algebra of level $k \in \mathbb{C}$. Note that any element of $W^k(\bar{\mathfrak{g}}, f)$ can be presented using the building blocks $J_{\bar{a}}$'s for $a \in \bar{\mathfrak{g}}_{\leq 0}$, and the Miura map μ_k sends all the $J_{\bar{a}}$'s to 0 unless $a \in \bar{\mathfrak{g}}_0$.

Theorem 5.11. *For generic k , the image of the Miura map μ_k in (5.37) coincides with the description of SUSY W-algebra in Theorem 5.7. In particular, the Miura map μ_k is injective generically.*

Proof. Recall that the isomorphism in (5.6) gives the image of SUSY W-algebras in Theorem 5.7. If we also consider the charge degree, we have

$$(5.38) \quad W^k(\bar{\mathfrak{g}}, f) = H^0(\tilde{C}^k, d_{(0|0)}) \simeq H^0(E_1^k, d_2).$$

Note that this isomorphism is induced from the spectral sequence argument for the weight filtration. Considering the mechanism of the spectral sequence [5, 38], the terms of minimal weight of the cohomology class in $H(\tilde{C}^k, d_{(0|0)})$ are realized as the corresponding element of E_1^k . However, the space E_1^k contains extra elements that do not correspond to the cohomology class in $H(\tilde{C}^k, d_{(0|0)})$, and the cohomology in (5.38) with the differential d_2 removes these extra elements. As a result of (5.13), the charge 0 subspace of E_1^k is equal to the space $V^{\xi_k}(\bar{\mathfrak{g}}_0)$, which is exactly same as the weight 0 subspace of \tilde{C}^k . Hence, it implies that each cohomology class in $H(\tilde{C}^k, d_{(0|0)})$ has nonzero weight 0 terms and the isomorphism (5.38) is the projection onto the weight 0 summand. It coincides with the definition of Miura map μ_k . \square

We still need to figure out the value of k that Theorem 5.11 holds. In the theory of W-algebras associated with Lie algebras, this problem is partially resolved via the Wakimoto modules. Recall that if we consider a Lie algebra \mathfrak{g} , the corresponding affine vertex algebra of a generic level has its free field realization given by the Wakimoto module [37, 11]. Applying the Hamiltonian reduction functor (or Whittaker reduction functor for finite case) to this Wakimoto module, one gets the free field realization of the corresponding W-algebra [2]. Furthermore, it lets us to some extent find values of $k \in \mathbb{C}$ which enable the free field realization of W-algebras. The existence of the SUSY Wakimoto module was conjectured in [8, 22, 29], so one can expect the supersymmetric version of this theory. This is a work in progress.

Remark 5.12. In the case of classical SUSY W-algebras, the injectivity of the Miura map follows from the explicit formulas of the generators. Using the notations of [35], let $\{r_j \mid j \in J^f\}$ and $\{r^j \mid j \in J^f\}$ be bases of $\ker(\text{adf})$ and $\ker(\text{ade})$ in \mathfrak{g} satisfying $(r^i | r_j) = \delta_{i,j}$. Here e and f are the odd nilpotent elements in the subalgebra of \mathfrak{g} isomorphic to $\mathfrak{osp}(1|2)$. Let

$$r_m^i = (\text{adf})^m r^i, \quad r_j^n = c_{j,n} (\text{ade})^n r_j$$

for $i, j \in J^f$, $m, n \in \mathbb{Z}_{\geq 0}$ and some constants $c_{j,n}$ so that $(r_m^i | r_j^n) = \delta_{m,n} \delta_{i,j}$. Then, the classical W-algebra is generated by $\{\omega(\bar{r}_j) \mid j \in J^f\}$, where $\omega(\bar{r}_j)$ is an element of the classical SUSY W-algebra containing \bar{r}_j as a linear term. Hence, it is enough to show that the Miura map is injective on the set of generators. Due to the presentation of $\omega(\bar{r}_j)$ in Theorem 6.3 of [35], the terms of $\omega(\bar{r}_j)$ contained in $\mathbb{C}[\nabla] \otimes \mathfrak{g}_0$ is equal to $(-D)^{2l} \bar{r}_j^{2l}$, when $r_j \in \mathfrak{g}_{-l}$. Thus, the injectivity follows.

6. APPLICATION: PRINCIPAL SUSY W-ALGEBRAS

The most important types of Lie superalgebras that satisfy the assumption $\mathfrak{g}_0 = \mathfrak{h}$ would be the Lie superalgebras that admit the existence of the principal $\mathfrak{osp}(1|2)$ embedding. For such Lie superalgebra \mathfrak{g} , denote the odd nilpotent element in the principal $\mathfrak{osp}(1|2)$ subalgebra by f_{prin} . Additionally, we denote the shifted level of a SUSY W-algebra by $\Psi := k - h^\vee(\mathfrak{g})$ for $k \in \mathbb{C}$, where $h^\vee(\mathfrak{g})$ is the dual coxeter number of \mathfrak{g} . In this section, we analyze the structure of the principal SUSY W-algebra $W^\Psi(\bar{\mathfrak{g}}) := W^\Psi(\bar{\mathfrak{g}}, f_{\text{prin}})$ using Theorem 5.9. Notice here that the shifted level Ψ depends on the choice of the Lie superalgebra \mathfrak{g} . Without further mention, we assume that all the statements apply to SUSY W-algebras of generic levels.

Proposition 6.1 ([13, 27]). *Let \mathfrak{g} be a finite basic simple Lie superalgebra that admits a principal $\mathfrak{osp}(1|2)$ embedding. Then \mathfrak{g} is isomorphic to one of the following:*

$$\mathfrak{sl}(n \pm 1|n), \quad \mathfrak{osp}(2n \pm 1|2n), \quad \mathfrak{osp}(2n + 2|2n), \quad \mathfrak{osp}(2n|2n), \quad D(2, 1; \alpha) \quad (\alpha \in \mathbb{C} \setminus \{0, \pm 1\}).$$

Due to the above classification, we only deal with Lie superalgebras listed in Proposition 6.1 except for $D(2, 1; \alpha)$.

6.1. Analysis of principal SUSY W-algebras.

We first provide the statement and the main idea of Theorem 6.2 in this section. For each Lie superalgebra \mathfrak{g} , we denote its Cartan subalgebra and the associated SUSY Heisenberg vertex algebra by \mathfrak{h} and $\hat{\pi}$, respectively.

Theorem 6.2. *Let \mathfrak{g} be a finite basic simple Lie superalgebra that admits a principal $\mathfrak{osp}(1|2)$ embedding. Then except for $\mathfrak{g} = D(2, 1; \alpha)$, the principal SUSY W-algebra $W^\Psi(\bar{\mathfrak{g}})$ of generic level can be expressed as the intersection of the vertex algebras in the following list:*

$$(6.1) \quad W^\Psi(\overline{\mathfrak{osp}(1|2)}), \quad W^\Psi(\overline{\mathfrak{osp}(2|2)}), \quad W^\Psi(\overline{\mathfrak{osp}(3|2)}), \quad W^\Psi(\overline{\mathfrak{osp}(4|2)}),$$

where the list (6.1) is up to the tensor product with a SUSY Heisenberg vertex algebra.

It is worth to be noted that in the list (6.1), each level Ψ is shifted with the dual coxeter number for each Lie superalgebra. If we clarify the dual coxeter numbers, (6.1) is written as

$$W^{k-\frac{3}{2}}(\overline{\mathfrak{osp}(1|2)}), \quad W^{k-1}(\overline{\mathfrak{osp}(2|2)}), \quad W^{k-\frac{1}{2}}(\overline{\mathfrak{osp}(3|2)}), \quad W^k(\overline{\mathfrak{osp}(4|2)}).$$

Refer to [31] for explicit values of the dual coxeter numbers for basic simple Lie superalgebras.

For the proof, we use the results of Section 5. Note that all the results are applied with ν being replaced with \sqrt{k} since we are dealing with the shifted level Ψ . Furthermore, we can assume that the intersection in (5.36) runs over all the odd simple roots. It follows from the proof of Proposition 6.1 in [27]. They show that each Lie superalgebra in the list has a simple root system Π which only consists of odd roots. Moreover, the odd principal nilpotent element f_{prin} of \mathfrak{g} is given by the linear sum of the simple root vectors. It implies that none of the simple root $\alpha \in \Pi$ satisfies $(f_{\text{prin}}|u_\alpha) = 0$. Lastly, the following observation in Lemma 6.3 enables us to prove the theorem.

Lemma 6.3. *Let \mathfrak{g} be one of the Lie superalgebras listed in Proposition 6.1. Fix one simple root α of \mathfrak{g} and let $\mathfrak{u}_\alpha^\perp$ be the subspace of \mathfrak{h} given by*

$$(6.2) \quad \mathfrak{u}_\alpha^\perp = \text{Span}_{\mathbb{C}}\{h \in \mathfrak{h} \mid \alpha(h) = 0\}.$$

Then the SUSY Heisenberg vertex algebra $\hat{\pi}_\alpha^\perp$ associated with $\mathfrak{u}_\alpha^\perp$ can be regarded as a subalgebra of $\hat{\pi}$ and the screening operator $\int e^{-\frac{1}{\sqrt{k}} \int \alpha(Z)} dZ$ acts trivially on $\hat{\pi}_\alpha^\perp \subset \hat{\pi}$.

Proof. The screening operator for α follows from the action $\phi_{(0|0)}^\alpha$ in the SUSY BRST complex. Since u^α is a root vector of $-\alpha$, we have

$$[\phi_{\Lambda}^\alpha J_{\bar{h}}] = \sum_{\beta \in I_+} (-1)^{p(\alpha)+1} ([h, u^\alpha] | u_\beta) \phi^\beta = (-1)^{p(\alpha)} \alpha(h) \phi^\alpha$$

for any $h \in \mathfrak{h}$. Then the statement directly follows. \square

6.2. Proof of Theorem 6.2.

We devote this section to proving Theorem 6.2, case by case. To denote the simple roots for the Lie superalgebras, we use the notation ϵ_i 's and δ_j 's in [4].

6.2.1. $\mathfrak{sl}(n \pm 1|n)$.

Consider $\mathfrak{g} = \mathfrak{sl}(n+1|n)$ and identify any root of \mathfrak{g} with its coroot using the nondegeneracy of the bilinear form. It has a simple root system Π , whose Dynkin diagram is given as follows.

$$\mathfrak{sl}(n+1|n) : \quad \begin{array}{ccccccc} \delta_1 - \epsilon_1 & \epsilon_1 - \delta_2 & \delta_2 - \epsilon_2 & \dots & \delta_n - \epsilon_n & \epsilon_n - \delta_{n+1} \\ \otimes & \text{---} \otimes & \text{---} \otimes & \dots & \text{---} \otimes & \text{---} \otimes \end{array}$$

Denote each odd simple root in the above diagram by $\alpha_1, \dots, \alpha_{2n}$ in sequence. Write the corresponding subspace (6.2) of \mathfrak{h} by $\mathfrak{u}_1^\perp, \dots, \mathfrak{u}_{2n}^\perp$ and their intersections by $\mathfrak{u}_{i,j}^\perp := \mathfrak{u}_i^\perp \cap \mathfrak{u}_j^\perp$. For each $i = 1, \dots, 2n-1$, we have

$$(6.3) \quad \mathfrak{h} = \mathfrak{u}_{i,i+1}^\perp \oplus \mathfrak{u}_{i,i+1}$$

for $\mathfrak{u}_{i,i+1} := \mathbb{C}\alpha_i + \mathbb{C}\alpha_{i+1}$. With the use of (6.3), we decompose the domain and codomains of the screening operators for α_i and α_{i+1} .

Let $\widehat{\pi}_{i,i+1}^\perp$ and $\widehat{\pi}_{i,i+1}$ be the SUSY Heisenberg vertex algebras associated with $\mathfrak{u}_{i,i+1}^\perp$ and $\mathfrak{u}_{i,i+1}$, respectively. Then, the vertex algebra $\widehat{\pi}$ decomposes as

$$(6.4) \quad \widehat{\pi} \simeq \widehat{\pi}_{i,i+1}^\perp \otimes \widehat{\pi}_{i,i+1}.$$

Likewise, as a \mathbb{C} -vector space, the codomain $\widehat{\pi}_{-\frac{\alpha_j}{\sqrt{k}}}$ decomposes as

$$\widehat{\pi}_{-\frac{\alpha_j}{\sqrt{k}}} \simeq \widehat{\pi}_{i,i+1}^\perp \otimes (\widehat{\pi}_{-\frac{\alpha_j}{\sqrt{k}}})_{i,i+1},$$

where $(\widehat{\pi}_{-\frac{\alpha_j}{\sqrt{k}}})_{i,i+1}$ is the even Fock representation of $\widehat{\pi}_{i,i+1}$ with an highest weight $-\frac{\alpha_j}{\sqrt{k}}$. By Lemma 6.3, the screening operators for α_i and α_{i+1} both act trivially on $\widehat{\pi}_{i,i+1}^\perp$. Thus, the common kernel of the two operators is isomorphic to the common kernel of their restrictions

$$\int e^{-\frac{1}{\sqrt{k}} \int \alpha_i(Z)} dZ : \widehat{\pi}_{i,i+1} \rightarrow (\widehat{\pi}_{-\frac{\alpha_i}{\sqrt{k}}})_{i,i+1}, \quad \int e^{-\frac{1}{\sqrt{k}} \int \alpha_{i+1}(Z)} dZ : \widehat{\pi}_{i,i+1} \rightarrow (\widehat{\pi}_{-\frac{\alpha_{i+1}}{\sqrt{k}}})_{i,i+1}$$

tensored with $\widehat{\pi}_{i,i+1}^\perp$. Note here that one cannot erase the interference of other simple roots in this inspection, since each α_i sits inside the space \mathfrak{u}_i^\perp . Now, make the pairings of the simple roots as follows.

$$\mathfrak{sl}(n+1|n) : \quad \begin{array}{ccccccc} \delta_1 - \epsilon_1 & \epsilon_1 - \delta_2 & \delta_2 - \epsilon_2 & \epsilon_2 - \delta_3 & \dots & \delta_n - \epsilon_n & \epsilon_n - \delta_{n+1} \\ \otimes & \text{---} \otimes & \text{---} \otimes & \text{---} \otimes & \dots & \text{---} \otimes & \text{---} \otimes \\ \underbrace{\hspace{2cm}} & \underbrace{\hspace{2cm}} & \dots & \underbrace{\hspace{2cm}} \\ \mathfrak{osp}(2|2) & \mathfrak{osp}(2|2) & \dots & \mathfrak{osp}(2|2) \end{array}$$

Considering the shape of the Dynkin diagram, the common kernel of the screening operators for the two adjacent simple roots is isomorphic to the principal SUSY W-algebra corresponding to $\mathfrak{osp}(2|2)$, applying Theorem 5.9 again. In other words, for $i = 1, \dots, n$,

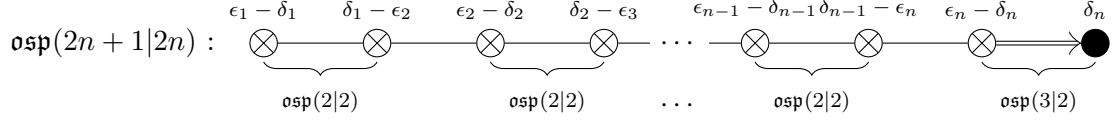
$$(6.5) \quad \ker \int e^{-\frac{1}{\sqrt{k}} \int \alpha_{2i-1}(Z)} dZ \cap \ker \int e^{-\frac{1}{\sqrt{k}} \int \alpha_{2i}(Z)} dZ \simeq W^\Psi(\overline{\mathfrak{osp}(2|2)}) \otimes \widehat{\pi}_{2i-1,2i}^\perp.$$

A similar argument for $\mathfrak{sl}(n|n+1)$ follows if we switch the role of ϵ and δ . In this case, one can also deduce that the common kernel of the i th and $(i+1)$ th screening operators can be explained by the tensor product of $W^\Psi(\overline{\mathfrak{osp}(2|2)})$ and a Fock representation.

$$\mathfrak{sl}(n|n+1) : \quad \begin{array}{ccccccc} \epsilon_1 - \delta_1 & \delta_1 - \epsilon_2 & \epsilon_2 - \delta_2 & \delta_2 - \epsilon_3 & \dots & \epsilon_n - \delta_n & \delta_n - \epsilon_{n+1} \\ \otimes & \text{---} \otimes & \text{---} \otimes & \text{---} \otimes & \dots & \text{---} \otimes & \text{---} \otimes \\ \underbrace{\hspace{2cm}} & \underbrace{\hspace{2cm}} & \dots & \underbrace{\hspace{2cm}} \\ \mathfrak{osp}(2|2) & \mathfrak{osp}(2|2) & \dots & \mathfrak{osp}(2|2) \end{array}$$

6.2.2. $\mathfrak{osp}(2n+1|2n)$ and $\mathfrak{osp}(2n|2n)$.

When $\mathfrak{g} = \mathfrak{osp}(2n+1|2n)$ or $\mathfrak{osp}(2n|2n)$, \mathfrak{g} has an odd root system Π such that $|\Pi|$ is even. Therefore, the simple roots make pairings two by two as in Section 6.2.1. First, consider $\mathfrak{osp}(2n+1|2n)$ equipped with a supertrace form. It has a simple root system which draws a Dynkin diagram as follows.

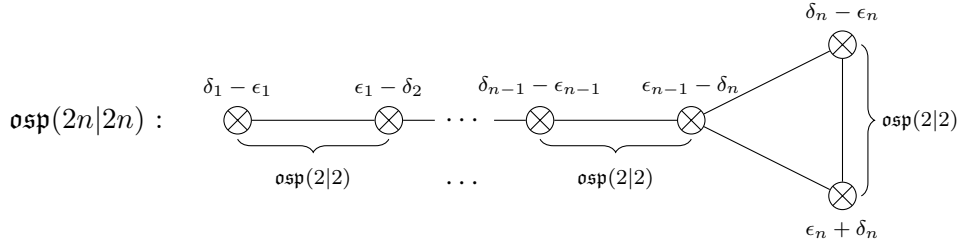


Denote the odd simple roots in the above diagram by $\alpha_1, \dots, \alpha_{2n}$, and make pairings of simple roots as above. Then one can analyze the common kernel of $(2i-1)$ th and $2i$ th screening operators as in Section 6.2.1. It follows that

$$(6.6) \quad \ker \int e^{-\frac{1}{\sqrt{k}} \int \alpha_{2i-1}(Z) dZ} \cap \ker \int e^{-\frac{1}{\sqrt{k}} \int \alpha_{2i}(Z) dZ} \simeq W^\Psi(\overline{\mathfrak{osp}(2|2)}) \otimes \widehat{\pi}_{2i-1, 2i}^\perp,$$

$$(6.7) \quad \ker \int e^{-\frac{1}{\sqrt{k}} \int \alpha_{2n-1}(Z) dZ} \cap \ker \int e^{-\frac{1}{\sqrt{k}} \int \alpha_{2n}(Z) dZ} \simeq W^\Psi(\overline{\mathfrak{osp}(3|2)}) \otimes \widehat{\pi}_{2n-1, 2n}^\perp,$$

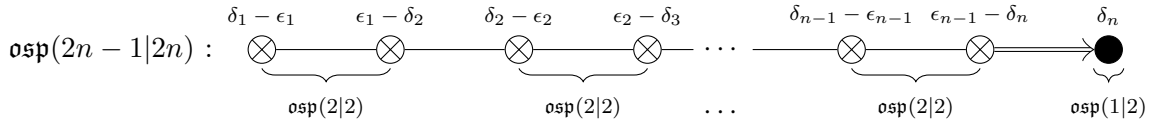
for $i = 1, \dots, n-1$ if we use the same notation in Section 6.2.1. Similarly, if we name the following odd simple roots of $\mathfrak{osp}(2n|2n)$ by $\beta_1, \dots, \beta_{2n}$,



they make pairs two by two so that the kernel of screening operators for β_{2i-1} and β_{2i} can be written as a tensor product of $W^\Psi(\overline{\mathfrak{osp}(2|2)})$ and a Fock representation.

6.2.3. $\mathfrak{osp}(2n-1|2n)$ and $\mathfrak{osp}(2n+2|2n)$.

The remainders are the types where the number of roots in the odd root system Π is odd, so one cannot make pairings of simple roots. First, consider $\mathfrak{osp}(2n-1|2n)$.



Name the simple roots above by $\alpha_1, \dots, \alpha_{2n-1}$ in sequence, and denote the corresponding spaces (6.2) by \mathfrak{u}_i^\perp 's. Except for the last one, one can make pairings of the simple roots and show the statements (6.5) for $\alpha_1, \dots, \alpha_{2n-2}$. For the last root, we have

$$(6.8) \quad \mathfrak{h} = \mathfrak{u}_{2n-1} \oplus \mathfrak{u}_{2n-1}^\perp.$$

for $\mathfrak{u}_{2n-1} := \mathbb{C}\alpha_{2n-1}$. It is worth emphasizing that the statement (6.8) holds since α_{2n-1} is nonisotropic. If it were, the subspace \mathfrak{u}_{2n-1} is contained in its perpendicular space $\mathfrak{u}_{2n-1}^\perp$.

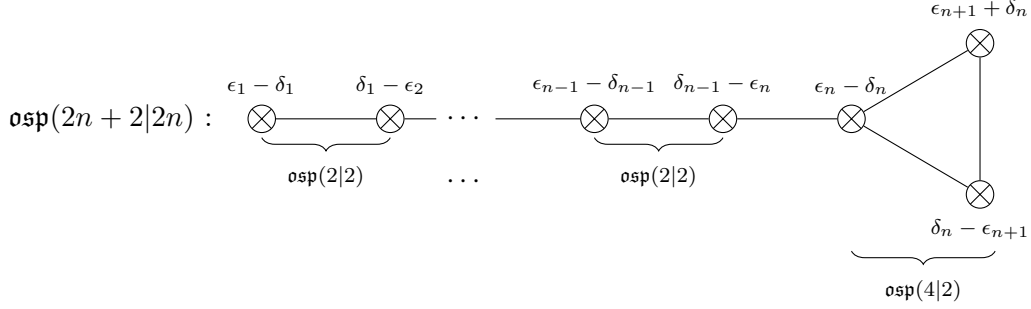
Let $\widehat{\pi}_{2n-1}$ and $\widehat{\pi}_{2n-1}^\perp$ be the SUSY Heisenberg vertex algebras for \mathfrak{u}_{2n-1} and $\mathfrak{u}_{2n-1}^\perp$, respectively. Also, let $\left(\widehat{\pi}_{-\frac{\alpha_{2n-1}}{\sqrt{k}}}\right)_{2n-1}$ be the even Fock representation of $\widehat{\pi}_{2n-1}$ with a highest weight $-\frac{\alpha_{2n-1}}{\sqrt{k}}$. Then, the domain and the codomain of the screening operator $\int e^{-\frac{1}{\sqrt{k}} \int \alpha_{2n-1}(Z) dZ}$ are decomposed as

$$\widehat{\pi} \simeq \widehat{\pi}_{2n-1} \otimes \widehat{\pi}_{2n-1}^\perp, \quad \widehat{\pi}_{-\frac{\alpha_{2n-1}}{\sqrt{k}}} \simeq \left(\widehat{\pi}_{-\frac{\alpha_{2n-1}}{\sqrt{k}}}\right)_{2n-1} \otimes \widehat{\pi}_{2n-1}^\perp,$$

and it acts as zero on the space $\widehat{\pi}_{2n-1}^\perp$ by Lemma 6.3. Thus, the kernel of the last screening operator is isomorphic to

$$(6.9) \quad \ker \int e^{-\frac{1}{\sqrt{k}} \int \alpha_{2n-1}(Z) dZ} \simeq W^\Psi(\overline{\mathfrak{osp}(1|2)}) \otimes \widehat{\pi}_{2n-1}^\perp.$$

In the case of $\mathfrak{osp}(2n+2|2n)$, the number of odd simple roots is odd, but one cannot proceed with a similar statement for the last root since all of the simple roots are isotropic. In this case, consider the last three simple roots as a group.



Hence, for the simple roots $\beta_1, \dots, \beta_{2n+1}$ in the above diagram, the analogous statement (6.5) holds for the first $2n-2$ roots, and

$$(6.10) \quad \bigcap_{j=2n-1}^{2n+1} \ker \int e^{-\frac{1}{\sqrt{k}} \int \beta_j(Z) dZ} \simeq W^\Psi(\overline{\mathfrak{osp}(4|2)}) \otimes \widehat{\pi}_{2n-1, 2n, 2n+1}^\perp,$$

where $\widehat{\pi}_{2n-1, 2n, 2n+1}^\perp$ is the even Fock representation corresponding to $\cap_{j=2n-1}^{2n+1} \mathbf{u}_j^\perp$.

Remark 6.4. As in the $\mathfrak{osp}(4|2)$ case, the principal SUSY W-algebra corresponding to $D(2, 1; \alpha)$ cannot be split up anymore. It is because the odd simple root system of $D(2, 1; \alpha)$ draws the same Dynkin diagram as in the case of $\mathfrak{osp}(4|2)$, but with constant labels on the line segments between the nodes.

APPENDIX A. APPENDICES

A.1. Superfield formalism.

In this section, we recall another definition of SUSY vertex algebra in terms of a superfield formalism in various physics papers [34, 12]. For more details, we refer to the first definition of $N_K = 1$ SUSY vertex algebra in [18]. Also, we provide here an alternative proof for Theorem 2.4 with this definition.

A.1.1. Supersymmetric vertex algebras via superfield formalism.

We use the tuple $\nabla = (\partial, D)$ of endomorphisms introduced in (2.1) and the notations for the super variable $Z = (z, \theta)$ from (5.31) to (5.33). In addition, we denote by $\mathbb{C}[[Z, Z^{-1}]] := \mathbb{C}[[z, z^{-1}]] \otimes \mathbb{C}[[\theta]]$ the space of formal power series for the super variable Z . For any vector superspace V , if an element $A(Z) \in \text{End}_{\mathbb{C}}(V) \otimes \mathbb{C}[[Z, Z^{-1}]]$ satisfies

$$(A.1) \quad A(Z)v \in V \otimes \mathbb{C}((Z))$$

for any $v \in V$, we call $A(Z)$ an $\text{End}_{\mathbb{C}}(V)$ -valued superfield.

Definition A.1. A supersymmetric(SUSY) vertex algebra is a vector superspace V with an even vector $|0\rangle$, a tuple of endomorphisms $\nabla = (\partial, D)$ and a parity preserving linear map

$$(A.2) \quad Y(\cdot, Z) : V \rightarrow \{\text{End}_{\mathbb{C}}(V)\text{-valued superfields}\}$$

$$A \mapsto Y(A, Z) = \sum_{\substack{n \in \mathbb{Z} \\ i=0,1}} Z^{-n-1|1-i} A_{(n|i)}$$

satisfying the following axioms:

(Vacuum axiom) the superfield corresponding to $|0\rangle$ is $Y(|0\rangle, Z) = \text{Id}_V$ and

$$Y(A, Z)|0\rangle \in \mathbb{C}[[Z]] \otimes V, \quad Y(A, Z)|0\rangle|_{Z=0} = A,$$

(Translation invariance) the commutator of D and the superfield $Y(A, Z)$ is given by

$$(A.3) \quad [D, Y(A, Z)] = (\partial_\theta - \theta \partial_z)Y(A, Z),$$

(Locality) there exists $n \in \mathbb{Z}_{\geq 0}$ such that

$$(A.4) \quad (z - w)^n [Y(A, Z), Y(B, W)] = 0,$$

for $A, B \in V$.

Note that the differentials ∂_z and ∂_θ in (A.3) are defined in an obvious way. To be precise, ∂_z is the usual differential with respect to z , while ∂_θ is the differential defined by

$$(A.5) \quad \partial_\theta \left(\sum_{\substack{n \in \mathbb{Z} \\ i=0,1}} Z^{-n-1|1-i} A_{(n|i)} \right) = \sum_{n \in \mathbb{Z}} Z^{-n-1|0} A_{(n|0)}.$$

For any elements A and B in a SUSY vertex algebra V , the *normally ordered product* of the two elements is defined by

$$(A.6) \quad :AB: = A_{(-1|1)}B.$$

We often call it the $(-1|1)$ th product of A and B . On the other hand, the *normally ordered product* of the corresponding superfields $A(Z) := Y(A, Z)$ and $B(z) := Y(B, Z)$ is defined by

$$(A.7) \quad :A(Z)B(Z): = A(Z)_+ B(Z) + (-1)^{p(A)p(B)} B(Z) A(Z)_-,$$

where $A(Z)_+$ and $A(Z)_-$ are the creation and annihilation parts of $A(Z)$, that is

$$A(Z)_+ = \sum_{\substack{n < 0 \\ i=0,1}} Z^{-n-1|1-i} A_{(n|i)}, \quad A(Z)_- = \sum_{\substack{n \geq 0 \\ i=0,1}} Z^{-n-1|1-i} A_{(n|i)}.$$

Note here that the normally ordered product of two superfields is also a superfield.

The $(n|i)$ th products for positive n of a SUSY vertex algebra can be understood by so-called the SUSY version of the decomposition lemma. To describe the lemma, let us introduce the SUSY delta distribution

$$(A.8) \quad \delta(Z, W) = (\theta - \eta) \sum_{n \in \mathbb{Z}} z^n w^{-n-1},$$

where $Z = (z, \theta)$ and $W = (w, \eta)$ are super variables. In addition, a pair $(a(Z), b(Z))$ of two $\text{End}_{\mathbb{C}}(V)$ -valued superfields is called a *local pair* if $(z - w)^n [a(Z), b(W)] = 0$ for some $n \in \mathbb{Z}_{>0}$.

Lemma A.2 (Decomposition Lemma [18]). *Let $(a(Z), b(Z))$ be a local pair. Then the commutator of the two superfields is written as a finite sum*

$$(A.9) \quad [a(Z), b(W)] = \sum_{\substack{n \in \mathbb{Z}_{>0} \\ i=0,1}} D_W^{(n|i)} \delta(Z, W) C_{n|i}(W),$$

where $C_{n|i}(W) = \int (Z - W)^{n|i} [a(Z), b(W)] dZ$ and $D_W^{(n|i)} = (-1)^i \frac{1}{n!} \partial_w^n (\partial_\eta + \eta \partial_w)^i$. \square

For a SUSY vertex algebra V , the locality axiom in Definition A.1 means that any pair of two superfields $(Y(A, Z), Y(B, Z))$ for $A, B \in V$ is local. Hence, as a result of Lemma A.2, we get the decomposition of the commutator as

$$(A.10) \quad [Y(A, Z), Y(B, W)] = \sum_{\substack{n \in \mathbb{Z}_{>0} \\ i=0,1}} D_W^{(n|i)} \delta(Z, W) C_{n|i}(W)$$

for any A, B in V . We conclude this section by stating the key properties of the superfields in a SUSY vertex algebra.

Proposition A.3 ([18]). *Let V be a SUSY vertex algebra. For any $A, B \in V$ and the corresponding superfields $Y(A, Z)$ and $Y(B, Z)$, the following statements hold:*

- (1) $Y(:AB:, Z) = :Y(A, Z)Y(B, Z):$,
- (2) $Y(DA, Z) = (\partial_\theta + \theta \partial_z)Y(A, Z)$,
- (3) $C_{n|i}(W) = Y(A_{(n|i)}B, W)$ for $C_{n|i}(W)$ in (A.10). \square

It is worth noting that in (2) of Proposition A.3, the differential on the RHS is $\partial_\theta + \theta\partial_z$, not the differential $\partial_\theta - \theta\partial_z$ in the translation invariance axiom (A.3). However, both of the two differentials are square roots of ∂_z , i.e.,

$$(A.11) \quad (\partial_\theta + \theta\partial_z)^2 = \partial_z = (\partial_\theta - \theta\partial_z)^2.$$

Remark A.4. If we take the supersymmetric formal Fourier transformation to the commutator (A.10) of the superfields, we get the Λ -bracket $[A_\Lambda B]$ in Definition 2.2. Furthermore, the coefficients in (2.5) coincide with the $(n|i)$ th products in (A.2). We refer to [18] for the proof of the equivalence of the two definitions of SUSY vertex algebras.

A.1.2. *Another proof of Theorem 2.4.*

We choose Definition A.1 for SUSY vertex algebras, and prove Theorem 2.4 using the superfields. Let V be a SUSY vertex algebra with a map $Y(\cdot, Z)$. Erasing the θ -containing part of each superfield, define $Y(\cdot, z) : V \rightarrow \{\text{End}_{\mathbb{C}}(V)\text{-valued fields}\}$ by

$$(A.12) \quad \begin{aligned} Y(\cdot, z) : V &\rightarrow \mathbb{C}[[z, z^{-1}]] \otimes \text{End}_{\mathbb{C}}(V), \\ A &\mapsto Y(A, z) = \sum_{n \in \mathbb{Z}} z^{-n-1} A_{(n)} := \sum_{n \in \mathbb{Z}} z^{-n-1} A_{(n|1)} \end{aligned}$$

for $A_{(n|1)}$'s in (A.2). The vacuum and locality axioms for vertex algebras clearly hold by the definitions and thus it is enough to check the translation invariance. Note that the translation invariance (A.3) for SUSY vertex algebra and the property (2) of Proposition A.3 imply that

$$(A.13) \quad [D, A_{(n|1)}] = A_{(n|0)} = (DA)_{(n|1)}, \quad [D, A_{(n|0)}] = -nA_{(n-1|1)} = (DA)_{(n|0)}$$

for $A \in V$ and $n \in \mathbb{Z}$. Due to the relations in (A.13), we get

$$[\partial, A_{(n)}] = \frac{1}{2}[[D, D], A_{(n|1)}] = [D, [D, A_{(n|1)}]] = [D, A_{(n|0)}] = -nA_{(n-1|1)} = -nA_{(n-1)},$$

which is equivalent to the translation invariance for vertex algebras. Thus, V is a vertex algebra.

Conversely, assume that V is a vertex algebra with a state-field correspondence $Y(\cdot, z)$, and is equipped with an odd derivation D satisfying $D^2 = \partial$. Since the odd derivation D satisfies $[D, A_{(n)}] = (DA)_{(n)}$ for any $A \in V$ and $n \in \mathbb{Z}$, we get

$$(A.14) \quad [D, Y(A, z)] = Y(DA, z).$$

Define $Y(\cdot, Z)$ to be the parity-preserving linear map

$$(A.15) \quad \begin{aligned} Y(\cdot, Z) : V &\rightarrow \mathbb{C}[[Z, Z^{-1}]] \otimes \text{End}_{\mathbb{C}}(V) \\ A &\mapsto Y(A, z) + \theta Y(DA, z). \end{aligned}$$

Then the range of the map (A.15) is automatically contained in the space of $\text{End}_{\mathbb{C}}(V)$ -valued superfields, and the superfields satisfy the vacuum and locality axioms for V to be a SUSY vertex algebra. The translation invariance (A.3) can be checked using (A.14) as follows:

$$(A.16) \quad \begin{aligned} [D, Y(A, Z)] &= [D, Y(A, z)] - \theta[D, Y(DA, z)] \\ &= Y(DA, z) - \theta Y(\partial A, z) \\ &= Y(DA, z) - \theta\partial_z Y(A, z) = (\partial_\theta - \theta\partial_z)Y(A, Z). \end{aligned}$$

In (A.16), the first equality follows from $[D, \theta] = 0$, and the third equality is a result of the translation invariance of the vertex algebra. We remark here that the choices of the maps (A.12) and (A.15) match with the choices of Λ and λ -brackets in the proof of Theorem 2.4 in Section 2.3.

A.2. Proof of Proposition 5.3.

We give a proof of Proposition 5.3 in this section, using the notations in Section 5.3. For our convenience, denote $d^\infty = d_{\text{st}(0|0)}$. As we have seen in Section 4.4, the space \tilde{C}^∞ consists of polynomials with variables in

$$T := \{\partial^j J_{\bar{u}^\alpha}, \partial^j D J_{\bar{u}^\alpha}\}_{\alpha \in I_+, j \geq 0} \cup \{\partial^j J_{\bar{a}_m}, \partial^j D J_{\bar{a}_m}\}_{m \in M, j \geq 0} \cup \{\partial^j \phi^\alpha, \partial^j D \phi^\alpha\}_{\alpha \in I_+, j \geq 0},$$

where $\{a_m\}_{m \in M}$ is a basis of \mathfrak{g}_0 . For a nonnegative integer p , let us consider the filtration

$$(A.17) \quad F_p \tilde{C}^\infty = \text{Span}_{\mathbb{C}}\{X_1 X_2 \cdots X_r \mid X_i \in T, r \geq p\} \subset \tilde{C}^\infty.$$

On the space \tilde{C}^∞ , the action of d^∞ is induced from (4.17). To be explicit,

$$(A.18) \quad \begin{aligned} \{d_{\text{st}\Lambda} J_{\bar{a}}\} &= \sum_{\beta \in I_+} (-1)^{(p(\alpha)+1)p(\beta)} \phi^\beta J_{\pi_{\leq 0}[u_\beta, a]} - \sum_{\beta \in I_+} (-1)^{p(\beta)} (D + \chi)(u_\beta | a) \phi^\beta, \\ \{d_{\text{st}\Lambda} \phi^\alpha\} &= \frac{1}{2} \sum_{\beta, \gamma \in I_+} (-1)^{(p(\alpha)+1)p(\beta)} ([u_\beta, u^\alpha] | u_\gamma) \phi^\beta \phi^\gamma \end{aligned}$$

and d^∞ picks up the terms without λ or χ . One can see from (A.18) that d^∞ increases the degree by at most 1. Hence, concerning the spectral sequence induced from the filtration (A.17), the differential on the r th page is 0 for $r \geq 2$. It implies that the induced total complex of the spectral sequence made up from this filtration is convergent to the original cohomology $E_1^\infty = H(\tilde{C}^\infty, d^\infty)$. Denote the differential on the 0th page by d_0^∞ . Then for the elements in the set T , the images by d_0^∞ are

$$(A.19) \quad d_0^\infty (\partial^j J_{\bar{u}^\alpha}) = -\partial^j D \phi^\alpha, \quad d_0^\infty (\partial^j D J_{\bar{u}^\alpha}) = \partial^{j+1} \phi^\alpha$$

for $j \in \mathbb{Z}_{\geq 0}$ and $\alpha \in I_+$, while the other elements are killed by d_0^∞ . The equalities (A.19) can be induced from (A.18) by erasing the polynomials of degree ≥ 2 on the RHS.

Inspired by (A.19), we decompose the complex \tilde{C}^∞ into four parts, where one part does not affect the other parts in the process of taking the cohomology with d_0^∞ . For each $\alpha \in I_+$ and $j \geq 0$, let $\mathcal{V}(\bar{\mathfrak{g}}_0)$, \tilde{C}_+ , $\tilde{C}_{\alpha, j}$ and $D\tilde{C}_{\alpha, j}$ be the subspaces of \tilde{C}^∞ given by the spaces of polynomials with variables in

$$(A.20) \quad \begin{aligned} &\{\partial^i J_{\bar{a}_m}, \partial^i D J_{\bar{a}_m} \mid m \in M, i \geq 0\}, \quad \{\phi^\beta \mid \beta \in I_+\}, \\ &\{\partial^j J_{\bar{u}^\alpha}, \partial^j D \phi^\alpha\}, \quad \{\partial^j D J_{\bar{u}^\alpha}, \partial^{j+1} \phi^\alpha\}, \end{aligned}$$

respectively. Then, the complex \tilde{C}^∞ decomposes as

$$\tilde{C}^\infty = \mathcal{V}(\bar{\mathfrak{g}}_0) \otimes \tilde{C}_+ \otimes \bigotimes_{\substack{\alpha \in I_+ \\ j \geq 0}} \tilde{C}_{\alpha, j} \otimes \bigotimes_{\substack{\alpha \in I_+ \\ j \geq 0}} D\tilde{C}_{\alpha, j}.$$

Now, take the cohomology with the use of the differential d_0^∞ to get the first total complex \tilde{A}_1^∞ of the spectral sequence. As a result of the Künneth formula, we have

$$(A.21) \quad \tilde{A}_1^\infty = \mathcal{V}(\bar{\mathfrak{g}}_0) \otimes \tilde{C}_+ \otimes \bigotimes_{\substack{\alpha \in I_+ \\ j \geq 0}} H(\tilde{C}_{\alpha, j}, d_0^\infty) \otimes \bigotimes_{\substack{\alpha \in I_+ \\ j \geq 0}} H(D\tilde{C}_{\alpha, j}, d_0^\infty).$$

Moreover, the last two cohomologies in (A.21) are trivial due to the following lemma.

Lemma A.5. *For $\alpha \in I_+$ and $j \geq 0$, let $\tilde{C}_{\alpha, j}$ and $D\tilde{C}_{\alpha, j}$ be the subspaces of \tilde{C} defined in (A.20). For the differential d_0^∞ on \tilde{C}^∞ given by (A.19), each subspace is closed under d_0^∞ . Furthermore, cohomologies with respect to d_0^∞ are*

$$(A.22) \quad H(\tilde{C}_{\alpha, j}, d_0^\infty) = \mathbb{C}, \quad H(D\tilde{C}_{\alpha, j}, d_0^\infty) = \mathbb{C}.$$

Proof. First, we prove the statement for the subspace $\tilde{C}_{\alpha, j}$. Since the space is supercommutative, $X^2 = 0$ for any odd element X in $\tilde{C}_{\alpha, j}$. Note that the parities of $\partial^j J_{\bar{u}^\alpha}$ and $\partial^j D \phi^\alpha$ are different. Therefore, the space $\tilde{C}_{\alpha, j}$ is described as

$$(A.23) \quad \tilde{C}_{\alpha, j} = \begin{cases} \text{Span}_{\mathbb{C}} \left\{ (\partial^j D \phi^\alpha)^r, \partial^j J_{\bar{u}^\alpha} (\partial^j D \phi^\alpha)^r \mid r \in \mathbb{Z}_{\geq 0} \right\} & \text{if } p(\alpha) = 0, \\ \text{Span}_{\mathbb{C}} \left\{ (\partial^j J_{\bar{u}^\alpha})^r, (\partial^j J_{\bar{u}^\alpha})^r \partial^j D \phi^\alpha \mid r \in \mathbb{Z}_{\geq 0} \right\} & \text{if } p(\alpha) = 1. \end{cases}$$

Notice that we have an explicit action (A.19) of d_0^∞ on the degree 1 polynomial, and d_0^∞ acts as a differential on the polynomial whose degree is bigger than 1. Thus, when $p(\alpha) = 0$,

$$d_0^\infty \left((\partial^j D \phi^\alpha)^r \right) = 0, \quad d_0^\infty \left(\partial^j J_{\bar{u}^\alpha} (\partial^j D \phi^\alpha)^r \right) = - \left(\partial^j D \phi^\alpha \right)^{r+1}$$

for each $r \geq 0$, which implies that $H(\tilde{C}^{\alpha,j}, d_0^\infty) = \mathbb{C}$. Similarly, when $p(\alpha) = 1$,

$$d_0^\infty \left(\left(\partial^{j+1} J_{\bar{u}\alpha} \right)^r \partial^j D\phi^\alpha \right) = 0, \quad d_0^\infty \left(\left(\partial^j J_{\bar{u}\alpha} \right)^r \right) = -r \left(\partial^j J_{\bar{u}\alpha} \right)^{r-1} \partial^j D\phi^\alpha$$

for each $r \geq 0$, which also leads to the conclusion $H(\tilde{C}_{\alpha,j}, d_0^\infty) = \mathbb{C}$. In case of $D\tilde{C}_{\alpha,j}$, one can show the statement analogously with the description of $D\tilde{C}_{\alpha,j}$ given by

$$(A.24) \quad D\tilde{C}_{\alpha,j} = \begin{cases} \text{Span}_{\mathbb{C}} \left\{ (\partial^j D J_{\bar{u}\alpha})^r, (\partial^j D J_{\bar{u}\alpha})^r \partial^{j+1} \phi^\alpha \mid r \in \mathbb{Z}_{\geq 0} \right\} & \text{if } p(\alpha) = 0, \\ \text{Span}_{\mathbb{C}} \left\{ (\partial^{j+1} \phi^\alpha)^r, \partial^j D J_{\bar{u}\alpha} (\partial^{j+1} \phi^\alpha)^r \mid r \in \mathbb{Z}_{\geq 0} \right\} & \text{if } p(\alpha) = 1. \end{cases}$$

□

Combining (A.21) with Lemma A.5, we have

$$(A.25) \quad \tilde{A}_1^\infty \simeq \mathcal{V}(\bar{\mathfrak{g}}_0) \otimes \tilde{C}_+$$

for the subspace $\mathcal{V}(\bar{\mathfrak{g}}_0)$ and \tilde{C}_+ of \tilde{C} in (A.20). Denote the differential on the first page of the spectral sequence by d_1^∞ , then

$$(A.26) \quad E_1^\infty = H(\tilde{A}_1^\infty, d_1^\infty).$$

Since we only need the description of the subspace $E_1^\infty(\leq 1)$ of charge at most 1, it is enough to consider the subspace $\tilde{A}_1^\infty(\leq 1)$ of charge at most 1 in (A.25). As a direct consequence of (A.18) and Lemma 5.1, we get that $d_1^\infty(J_{\bar{a}}) = 0$ for any $a \in \mathfrak{g}_0$, and $d_1^\infty(\phi^\alpha) = 0$ if and only if α is indecomposable in I_+ . Therefore, we get the desired statement as follows:

$$E_1^\infty(\leq 1) \simeq H(\tilde{A}_1^\infty, d_1^\infty) \simeq \mathcal{V}(\bar{\mathfrak{g}}_0) \oplus \left(\mathcal{V}(\bar{\mathfrak{g}}_0) \otimes \bigoplus_{\alpha \in I_0} \phi^\alpha \right).$$

A.3. Proof of Theorem 5.9.

Let us use the notations in Section 5.4 and Appendix A.1 to prove Theorem 5.9. As in Section 5, all the statements are for generic $k \in \mathbb{C}$. Recall that we assume $\mathfrak{g}_0 = \mathfrak{h}$ and we do not distinguish the elements under the isomorphisms (5.30). By Corollary 5.8, we can restrict our attention to $|\!-\frac{\alpha}{\nu}\rangle_{(0|0)}$ for each simple root α . To prove the theorem, it is enough to show that the formula of the superfield $Y(|\!-\frac{\alpha}{\nu}\rangle, Z)$ in E_1^k is equal to the exponential form (5.34). Denote the coroot of $\alpha \in \Pi$ by h_α . Then $[u_\alpha, u^\alpha] = (u_\alpha | u^\alpha) h_\alpha = (-1)^{p(\alpha)} h_\alpha$, which induces

$$(A.27) \quad d_{\text{st}(0|0)} J_{\bar{u}\alpha} = (-1)^{p(\alpha)} : \phi^\alpha J_{\bar{h}_\alpha} : - (k + h^\vee) D\phi^\alpha.$$

From the description of $E_1^k(\leq 1)$ in Theorem 5.4, the LHS of (A.27) should be 0 in $E_1^k(\leq 1)$. Therefore, in $E_1^k(\leq 1)$,

$$(A.28) \quad D\phi^\alpha = (-1)^{p(\alpha)} \frac{1}{k + h^\vee} : \phi^\alpha J_{\bar{h}_\alpha} : = - \frac{1}{k + h^\vee} : J_{\bar{h}_\alpha} \phi^\alpha :.$$

Equivalently, $D|\!-\frac{\alpha}{\nu}\rangle = -\frac{1}{\nu} : \alpha |\!-\frac{\alpha}{\nu}\rangle :$ for $\alpha = (\bar{h}_\alpha)_{(-1)} |0\rangle$. Hence, the superfield $Y(|\!-\frac{\alpha}{\nu}\rangle, Z)$ satisfies the equation

$$(A.29) \quad (\partial_\theta + \theta \partial_z) Y(|\!-\frac{\alpha}{\nu}\rangle, Z) = -\frac{1}{\nu} : \alpha(Z) Y(|\!-\frac{\alpha}{\nu}\rangle, Z) :$$

for $\alpha(Z) = Y(\alpha, Z)$, due to Proposition A.3. Also, from the vacuum axiom of SUSY vertex algebras, and the $\hat{\pi}$ -module structure of $E_1^k(\leq 1)$, we can deduce further relations. For each $\beta \in \mathfrak{h}^*$, let $\beta \in \hat{\pi}$ be an element given by $\beta = (\bar{h}_\beta)_{(-1)} |0\rangle$ for $h_\beta \in \mathfrak{h}$ satisfying $(h_\beta | h) = \beta(h)$ for any $h \in \mathfrak{h}$. Then the relations are stated as

$$(A.30) \quad Y(|\!-\frac{\alpha}{\nu}\rangle, Z) |0\rangle|_{Z=0} = |\!-\frac{\alpha}{\nu}\rangle,$$

$$(A.31) \quad [\beta(Z), Y(|\!-\frac{\alpha}{\nu}\rangle, W)] = -\frac{1}{\nu} (\alpha | \beta) \delta(Z, W) Y(|\!-\frac{\alpha}{\nu}\rangle, W)$$

for any $\beta \in \mathfrak{h}^*$ and $\beta(Z) = Y(\beta, Z)$. Now we can show that $Y(|\!-\frac{\alpha}{\nu}\rangle, Z) = e^{-\frac{1}{\nu} \int \alpha(Z)}$ by proving it is the solution to the equations (A.29), (A.30) and (A.31). Hence, by the following lemmas, the theorem follows.

Lemma A.6. For a simple root $\alpha \in \Pi$, recall the formal series $e^{-\frac{1}{\nu} \int \alpha(Z)}$ in (5.34). This series satisfies the equality

$$[\beta(Z), e^{-\frac{1}{\nu} \int \alpha(Z)}] = -\frac{1}{\nu} (\alpha|\beta) \delta(Z, W) e^{-\frac{1}{\nu} \int \alpha(Z)}$$

for any $\beta \in \mathfrak{h}^*$.

Proof. For any $\beta \in \mathfrak{h}^*$, the corresponding element $\beta \in \widehat{\pi}$ satisfies $[\beta_\Lambda \alpha] = (\alpha|\beta)\chi$. By Remark A.4, it can be translated to the commutator of the superfields as

$$(A.32) \quad [\beta(Z), \alpha(W)] = -(\partial_\eta + \eta \partial_w) \delta(Z, W) (\alpha|\beta).$$

Comparing the coefficients of (A.32), we get

$$(A.33) \quad [\beta_{(m|0)}, \alpha_{(n|0)}] = \delta_{m+n,0} m (\alpha|\beta), \quad [\beta_{(m|1)}, \alpha_{(n|1)}] = \delta_{m+n,-1} (\alpha|\beta)$$

and $[\beta_{(m|i)}, \alpha_{(n|j)}] = 0$ if $i \neq j$, where the $(m|i)$ th products are introduced in (A.2). Therefore, by applying the result of (A.33), we have

$$(A.34) \quad \begin{aligned} & \left[\beta(Z), \frac{1}{\nu} \sum_{j \neq 0} \frac{W^{-n|0}}{n} \alpha_{(n|0)} - \frac{1}{\nu} \sum_{j \in \mathbb{Z}} W^{-j-1|1} \alpha_{(j|1)} \right] \\ &= -\frac{1}{\nu} \sum_{m \neq 0} Z^{-m-1|1} W^{m|0} (\alpha|\beta) + \frac{1}{\nu} \sum_{m \in \mathbb{Z}} Z^{-m-1|0} W^{m|1} (\alpha|\beta) \\ &= -\frac{1}{\nu} (\alpha|\beta) \delta(Z, W) + \frac{1}{\nu} (\alpha|\beta) Z^{-1|1}. \end{aligned}$$

Also, from the definition of $s_{-\frac{\alpha}{\nu}}$ in (5.35), one can compute that

$$(A.35) \quad [\beta(Z), s_{-\frac{\alpha}{\nu}}] = -\frac{1}{\nu} (\alpha|\beta) Z^{-1|1} s_{-\frac{\alpha}{\nu}}.$$

Hence, if we write $e^{-\frac{1}{\nu} \int \alpha(W)} = s_{-\frac{\alpha}{\nu}} \widetilde{\exp}$ in the expression (5.34), the commutator of $e^{-\frac{1}{\nu} \int \alpha(W)}$ and $\beta(Z)$ is equal to

$$\begin{aligned} & [\beta(Z), e^{-\frac{1}{\nu} \int \alpha(W)}] \\ &= [\beta(Z), s_{-\frac{\alpha}{\nu}}] \widetilde{\exp} + (-1)^{p(\alpha)+1} s_{-\frac{\alpha}{\nu}} \left[\beta(Z), \frac{1}{\nu} \sum_{j \neq 0} \frac{W^{-n|0}}{n} \alpha_{(n|0)} - \frac{1}{\nu} \sum_{j \in \mathbb{Z}} W^{-j-1|1} \alpha_{(j|1)} \right] \widetilde{\exp} \\ &= -\frac{1}{\nu} (\alpha|\beta) Z^{-1|1} e^{-\frac{1}{\nu} \int \alpha(W)} + \left(-\frac{1}{\nu} (\alpha|\beta) \delta(Z, W) + \frac{1}{\nu} (\alpha|\beta) Z^{-1|1} \right) e^{-\frac{1}{\nu} \int \alpha(W)} \\ &= -\frac{1}{\nu} (\alpha|\beta) \delta(Z, W) e^{-\frac{1}{\nu} \int \alpha(W)}. \end{aligned}$$

□

Lemma A.7. For a simple root $\alpha \in \Pi$, recall the formal series $e^{-\frac{1}{\nu} \int \alpha(Z)}$ in (5.34). This series satisfies the following equality

$$(\partial_\theta + \theta \partial_z) e^{-\frac{1}{\nu} \int \alpha(Z)} = -\frac{1}{\nu} : \alpha(Z) e^{-\frac{1}{\nu} \int \alpha(Z)} : .$$

Proof. We prove that

$$(A.36) \quad \theta \partial_z (e^{-\frac{1}{\nu} \int \alpha(Z)}) = -\frac{1}{\nu} : \left(\sum_{n \in \mathbb{Z}} Z^{-n-1|1} \alpha_{(n|0)} \right) e^{-\frac{1}{\nu} \int \alpha(Z)} :,$$

$$(A.37) \quad \partial_\theta (e^{-\frac{1}{\nu} \int \alpha(Z)}) = -\frac{1}{\nu} : \left(\sum_{n \in \mathbb{Z}} Z^{-n-1|0} \alpha_{(n|1)} \right) e^{-\frac{1}{\nu} \int \alpha(Z)} :,$$

which sum up to the desired equality. Recall the expression $\widetilde{\text{exp}}$ used in the proof of Lemma A.6. We denote the series

$$(A.38) \quad \begin{aligned} A(Z)_+ &= -\frac{1}{\nu} \sum_{n<0} Z^{-n-1|1} \alpha_{(n|1)}, & A(Z)_- &= -\frac{1}{\nu} \sum_{n \geq 0} Z^{-n-1|1} \alpha_{(n|1)}, \\ B(Z)_+ &= \frac{1}{\nu} \sum_{n<0} \frac{Z^{-n|0}}{n} \alpha_{(n|0)}, & B(Z)_- &= \frac{1}{\nu} \sum_{n>0} \frac{Z^{-n|0}}{n} \alpha_{(n|0)} \end{aligned}$$

so that $\widetilde{\text{exp}} = \exp(A(Z)_+) \exp(B(Z)_+) \exp(B(Z)_-) \exp(A(Z)_-) Z^{-\frac{1}{\nu} \alpha_{(0|0)|0}}$. Since ∂_z acts as an even derivation, one can compute that

$$\begin{aligned} & \theta \partial_z (e^{-\frac{1}{\nu} \int \alpha(Z)}) \\ &= \theta s_{-\frac{\alpha}{\nu}} (\partial_z B(Z)_+) \cdot \widetilde{\text{exp}} + \theta s_{-\frac{\alpha}{\nu}} \widetilde{\text{exp}} \cdot (\partial_z B(Z)_-) + \theta s_{-\frac{\alpha}{\nu}} \widetilde{\text{exp}} \cdot \left(-\frac{1}{\nu} Z^{-1|0} \alpha_{(0|0)} \right) \\ &= \left(-\frac{1}{\nu} \sum_{n<0} Z^{-n-1|1} \alpha_{(n|0)} \right) e^{-\frac{1}{\nu} \int \alpha(Z)} + (-1)^{p(\alpha)+1} e^{-\frac{1}{\nu} \int \alpha(Z)} \left(-\frac{1}{\nu} \sum_{n \geq 0} Z^{-n-1|1} \alpha_{(n|0)} \right) \\ &= -\frac{1}{\nu} : \left(\sum_{n \in \mathbb{Z}} Z^{-n-1|1} \alpha_{(n|0)} \right) e^{-\frac{1}{\nu} \int \alpha(Z)} :, \end{aligned}$$

which proves (A.36). Now, note that the differential ∂_θ acts as an odd differential on the space of formal power series in Z and Z^{-1} . Also, for any series $X(Z)$ of even parity,

$$(A.39) \quad \partial_\theta (\exp(X(Z))) = (\partial_\theta X(Z)) (\exp(X(Z))) = (\exp(X(Z))) (\partial_\theta X(Z)),$$

when $\partial_\theta X(Z)$ and $X(Z)$ supercommute with each other. Apply this relation to obtain

$$\begin{aligned} \partial_\theta (e^{-\frac{1}{\nu} \int \alpha(Z)}) &= (-1)^{p(\alpha)+1} s_{-\frac{\alpha}{\nu}} \partial_\theta (A(Z)_+) \cdot \widetilde{\text{exp}} + (-1)^{p(\alpha)+1} s_{-\frac{\alpha}{\nu}} \widetilde{\text{exp}} \cdot \partial_\theta (A(Z)_-) \\ &= \left(-\frac{1}{\nu} \sum_{n<0} Z^{-n-1|0} \alpha_{(n|1)} \right) e^{-\frac{1}{\nu} \int \alpha(Z)} + (-1)^{p(\alpha)+1} e^{-\frac{1}{\nu} \int \alpha(Z)} \left(-\frac{1}{\nu} \sum_{n \geq 0} Z^{-n-1|0} \alpha_{(n|1)} \right) \\ &= -\frac{1}{\nu} : \left(\sum_{n \in \mathbb{Z}} Z^{-n-1|0} \alpha_{(n|1)} \right) e^{-\frac{1}{\nu} \int \alpha(Z)} :, \end{aligned}$$

which shows the equality (A.37). \square

ACKNOWLEDGEMENT

I would like to express my gratitude to my supervisor, Uhi Rinn Suh, for her invaluable support and guidance in enhancing this paper. Additionally, I am deeply thankful to Naoki Genra for the enriching discussions we had during his visit to Seoul National University in 2023. My appreciation also goes to Gahng Sahn Lee and Sin-Myung Lee for valuable discussions about Lie superalgebras and their representations.

REFERENCES

- [1] M. Ademollo, L. Brink, A. D'Adda, R. D'Auria, and E. Napolitano. Supersymmetric Strings and Color Confinement. *Phys. Lett. B*, 62:105–110, 1976.
- [2] T. Arakawa. Representation theory of \mathcal{W} -algebras. *Invent. Math.*, 169(2):219–320, 2007.
- [3] T. Arakawa, T. Creutzig, and A. R. Linshaw. W -algebras as coset vertex algebras. *Invent. Math.*, 218(1):145–195, 2019.
- [4] S.-J. Cheng and W. Wang. *Dualities and representations of Lie superalgebras*, volume 144 of *Graduate Studies in Mathematics*. American Mathematical Society, Providence, RI, 2012.
- [5] T. Y. Chow. You could have invented spectral sequences. *Notices Amer. Math. Soc.*, 53(1):15–19, 2006.
- [6] A. De Sole and V. G. Kac. Finite vs affine W -algebras. *Jpn. J. Math.*, 1(1):137–261, 2006.
- [7] F. Delduc, E. Ragoucy, and P. Sorba. Super-Toda theories and W -algebras from superspace Wess-Zumino-Witten models. *Comm. Math. Phys.*, 146(2):403–426, 1992.
- [8] P. Di Vecchia, V. Knizhnik, J. Petersen, and P. Rossi. A supersymmetric wess-zumino lagrangian in two dimensions. *Nuclear Physics B*, 253:701–726, 1985.
- [9] B. Feigin and E. Frenkel. Quantization of the Drinfeld-Sokolov reduction. *Phys. Lett. B*, 246(1-2):75–81, 1990.

- [10] B. Feigin and E. Frenkel. Affine Kac-Moody algebras at the critical level and Gelfand-Dikii algebras. In *Infinite analysis, Part A, B (Kyoto, 1991)*, volume 16 of *Adv. Ser. Math. Phys.*, pages 197–215. World Sci. Publ., River Edge, NJ, 1992.
- [11] B. L. Feigin and E. V. Frenkel. Affine Kac-Moody algebras and semi-infinite flag manifolds. *Comm. Math. Phys.*, 128(1):161–189, 1990.
- [12] S. Ferrara, B. Zumino, and J. Wess. Supergauge multiplets and superfields. *Physics Letters B*, 51(3):239–241, 1974.
- [13] L. Frappat, E. Ragoucy, and P. Sorba. W -algebras and superalgebras from constrained WZW models: a group theoretical classification. *Comm. Math. Phys.*, 157(3):499–548, 1993.
- [14] E. Frenkel. Free field realizations in representation theory and conformal field theory. In *Proceedings of the International Congress of Mathematicians, Vol. 1, 2 (Zürich, 1994)*, pages 1256–1269. Birkhäuser, Basel, 1995.
- [15] E. Frenkel and D. Ben-Zvi. *Vertex algebras and algebraic curves*, volume 88 of *Mathematical Surveys and Monographs*. American Mathematical Society, Providence, RI, second edition, 2004.
- [16] N. Genra. Screening operators for W -algebras. *Selecta Math. (N.S.)*, 23(3):2157–2202, 2017.
- [17] P. Goddard and A. Schwimmer. Factoring out free fermions and superconformal algebras. *Phys. Lett. B*, 214(2):209–214, 1988.
- [18] R. Heluani and V. G. Kac. Supersymmetric vertex algebras. *Comm. Math. Phys.*, 271(1):103–178, 2007.
- [19] R. Heluani and V. G. Kac. SUSY lattice vertex algebras. *Bulg. J. Phys.*, 35:3–24, 2008.
- [20] C. Hoyt. Good gradings of basic Lie superalgebras. *Israel J. Math.*, 192(1):251–280, 2012.
- [21] T. Inami, Y. Matsuo, and I. Yamanaka. Extended conformal algebras with $N = 1$ supersymmetry. *Physics Letters B*, 215(4):701–705, 1988.
- [22] K. Ito. Quantum Hamiltonian reduction and WB algebra. *Internat. J. Modern Phys. A*, 7(20):4885–4898, 1992.
- [23] V. G. Kac. *Vertex algebras for beginners*, volume 10 of *University Lecture Series*. American Mathematical Society, Providence, RI, second edition, 1998.
- [24] V. G. Kac, S.-S. Roan, and M. Wakimoto. Quantum reduction for affine superalgebras. *Comm. Math. Phys.*, 241(2-3):307–342, 2003.
- [25] V. G. Kac and I. T. Todorov. Superconformal current algebras and their unitary representations. *Comm. Math. Phys.*, 102(2):337–347, 1985.
- [26] V. G. Kac and M. Wakimoto. Integrable highest weight modules over affine superalgebras and number theory. In *Lie theory and geometry*, volume 123 of *Progr. Math.*, pages 415–456. Birkhäuser Boston, Boston, MA, 1994.
- [27] D. A. Leites, M. V. Saveliev, and V. V. Serganova. Embeddings of $\mathfrak{osp}(N|2)$ and the associated nonlinear supersymmetric equations. In *Group theoretical methods in physics, Vol. I (Yurmala, 1985)*, pages 255–297. VNU Sci. Press, Utrecht, 1986.
- [28] A. N. Leznov and M. V. Savel'ev. Two-dimensional supersymmetric nonlinear equations connected with embeddings of the subsuperalgebra $\mathfrak{osp}(1, 2)$ into Lie superalgebras. *Teoret. Mat. Fiz.*, 61(1):150–154, 1984.
- [29] J. O. Madsen and E. Ragoucy. Quantum Hamiltonian reduction in superspace formalism. *Nuclear Phys. B*, 429(2):277–290, 1994.
- [30] A. Molev, E. Ragoucy, and U. R. Suh. Supersymmetric W -algebras. *Lett. Math. Phys.*, 111(1):Paper No. 6, 25, 2021.
- [31] I. M. Musson. *Lie superalgebras and enveloping algebras*, volume 131 of *Graduate Studies in Mathematics*. American Mathematical Society, Providence, RI, 2012.
- [32] E. Ragoucy, A. Sevrin, and P. Sorba. Strings from $N = 2$ gauged Wess-Zumino-Witten models. *Comm. Math. Phys.*, 181(1):91–129, 1996.
- [33] E. Ragoucy, A. Song, and U. R. Suh. $N = 2$ supersymmetric structures on classical W -algebras. *Comm. Math. Phys.*, 404(3):1607–1640, 2023.
- [34] A. Salam and J. Strathdee. Super-gauge transformations. *Nuclear Phys.*, B76:477–482, 1974.
- [35] U. R. Suh. Structures of (supersymmetric) classical W -algebras. *J. Math. Phys.*, 61(11):111701, 27, 2020.
- [36] U. R. Suh and S. Yoon. Supersymmetric extension of universal enveloping vertex algebras. *pre-print*, 2023.
- [37] M. Wakimoto. Fock representations of the affine Lie algebra $A_1^{(1)}$. *Comm. Math. Phys.*, 104(4):605–609, 1986.
- [38] C. A. Weibel. *An introduction to homological algebra*, volume 38 of *Cambridge Studies in Advanced Mathematics*. Cambridge University Press, Cambridge, 1994.

(A. Song) DEPARTMENT OF MATHEMATICAL SCIENCES, SEOUL NATIONAL UNIVERSITY, GWANAKRO 1, GWANAK-GU, SEOUL 08826

Email address: ireansong@snu.ac.kr