

Theory of Collective Excitations in the Quadruple- Q Magnetic Hedgehog Lattices

Rintaro Eto¹ and Masahito Mochizuki¹

¹*Department of Applied Physics, Waseda University, Okubo, Shinjuku-ku, Tokyo 169-8555, Japan*
(Dated: March 5, 2024)

Hedgehog and antihedgehog spin textures in magnets behave as emergent monopoles and antimonopoles, which give rise to astonishing transport and electromagnetic phenomena. Using the Kondo-lattice model in three dimensions, we theoretically study collective spin-wave excitation modes of magnetic hedgehog lattices which have recently been discovered in itinerant magnets such as $\text{MnSi}_{1-x}\text{Ge}_x$ and SrFeO_3 . It is revealed that the spin-wave modes, which appear in the sub-terahertz regime, have dominant amplitudes localized at Dirac strings connecting hedgehog-antihedgehog pairs and are characterized by their translational oscillations. It is found that their spectral features sensitively depend on the number and configuration of the Dirac strings and, thus, can be exploited for identifying the topological phase transitions associated with the monopole-antimonopole pair annihilations.

Magnetic monopoles, elementary particles with isolated magnetic charges in three dimensions, have attracted continuous research interest since Dirac's first proposal in 1931 [1]. Although real magnetic monopoles have not been observed in nature, scientists have discovered quasiparticles that virtually behave as magnetic monopoles in condensed-matter systems such as Dirac-electron materials [2] and spin-ice pyrochlores [3, 4]. Interesting physical phenomena associated with such emergent magnetic monopoles, e.g., fractional excitations [3, 5–7], anomalous Hall effects [8, 9], and anomalous Nernst effects [10, 11], have been discussed and/or observed in these systems.

Recently, another condensed-matter system that realizes emergent magnetic monopoles was discovered [12–14]. It was revealed that an itinerant chiral magnet MnGe hosts a periodic array of magnetic hedgehogs and antihedgehogs called magnetic hedgehog lattice [15–29]. These hedgehogs and antihedgehogs can be regarded as magnetic monopoles and antimonopoles, respectively, as they behave as sources and sinks of emergent magnetic fields acting on the conduction electrons via exchange coupling through the Berry-phase mechanism [Figs. 1(a)–(c)].

The magnetic hedgehog lattice in MnGe is described by a superposition of spin helices with cubic three propagation vectors and, thereby, is referred to as a triple- Q hedgehog lattice (3 Q -HL). Recently, it was experimentally discovered that substitution of Ge with Si transforms this 3 Q -HL into another type of hedgehog lattice [Figs. 1(d),(e)]. A small-angle neutron-scattering experiment revealed that the hedgehog lattice in $\text{MnSi}_{1-x}\text{Ge}_x$ is characterized by a superposition of spin helices with tetrahedral four propagation vectors [Fig. 1(f)], i.e., the quadruple- Q hedgehog lattice (4 Q -HL) [30]. The 4 Q -HL was observed also in the perovskite ferrite SrFeO_3 [31].

In fact, there are several kinds of 4 Q -HL states with different number of hedgehogs and antihedgehogs in the magnetic unit cell because the spin structure of 4 Q -HLs are characterized not only by the propagation vec-

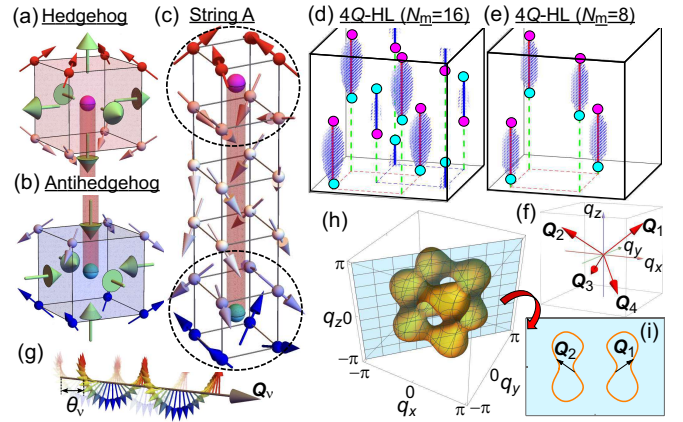


FIG. 1. (a), (b) Schematics of hedgehog (a) and antihedgehog (b) spin textures. Green arrows represent emergent magnetic fields around the point defects (Bloch points), and arrows on the cube corners represent the localized spins. (c) Spin configuration of String A. (d), (e) Spatial distributions of the Bloch points of hedgehogs (magenta) and antihedgehogs (cyan) in the 4 Q -HLs with (d) $N_m=16$ and (e) $N_m=8$. Red and blue lines represent the Dirac strings with vorticities of -1 and $+1$. (f) Four propagation vectors of magnetic helices constituting the 4 Q -HLs. (g) Magnetic helix with a propagation vector \mathbf{Q}_ν where θ_ν represents the phase degree of freedom with respect to the translation of helix. (h) Fermi surface for the kinetic term of \mathcal{H}_{KLM} in Eq. (1). (i) Two-dimensional cross section of the Fermi surface with nesting vectors \mathbf{Q}_1 and \mathbf{Q}_2 .

tors \mathbf{Q}_ν ($\nu=1-4$) [32–34] but also by other internal degrees of freedom, e.g., net magnetization [32], chirality [35], and relative phases θ_ν of the superposed spin helices [Fig. 1(g)] [36, 37]. Therefore, we expect that $\text{MnSi}_{1-x}\text{Ge}_x$ and SrFeO_3 offer precious opportunities to study the tunability of transport and thermoelectric properties via the field-induced variation of topological nature of the hedgehog lattices [36, 38, 39].

The dynamical phenomena associated with these emergent magnetic monopoles are more interesting. From the electromagnetic duality in Maxwell's equations, the dynamics of magnetic monopoles is expected to induce an

electric field, as the dynamics of electric charge induces a magnetic field. Through inducing the electric field while moving, the emergent monopoles behaves as dyons, i.e., hypothetical particles in the grand unified theory [40]. Novel transport phenomena and optical/microwave device functions are expected to emerge from such emergent dyons [41–45]. In order to study new physical phenomena and device functions originating from the dynamics of such emergent monopoles and dyons, knowledge of their intrinsic excitations is essentially important.

In this Letter, we theoretically study collective excitation modes of the 4Q-HLs in itinerant chiral magnets using a microscopic spin-charge coupled model in three dimensions. We construct a model on the chiral-cubic lattice so as to reproduce the distinct two types of 4Q-HLs with very short periods of a few atomic sites, which are realized in $\text{MnSi}_{1-x}\text{Ge}_x$ and SrFeO_3 , based on the microscopic insights into these materials. We first reveal that the nesting of Fermi surfaces can work as a principal mechanism for stabilizing the 4Q-HL textures. Then we find that the 4Q-HLs have characteristic collective excitation modes associated with translational motion of Dirac strings. Because these collective excitation modes are dominated by the Dirac strings, presence or absence of the modes sensitively depends on the number of monopole-antimonopole pairs and their spatial configuration. Indeed, we demonstrate that a certain mode disappears upon a topological phase transition associated with vanishing of Dirac strings due to the field-induced monopole-antimonopole pair annihilations. This finding will contribute to characterization of the magnetic topologies in hedgehog-hosting magnets and will be a basis for studying the monopole-induced physical phenomena in matters.

We start with the Kondo-lattice model on a cubic lattice with the Dzyaloshinskii-Moriya (DM) interactions, which describes the coupling between the conduction electrons and the localized spins in itinerant chiral magnets, and some additional terms. The Hamiltonian is given by $\mathcal{H} = \mathcal{H}_{\text{KLM}} + \mathcal{H}_{\text{Zeeman}} + \mathcal{H}_{\text{local}}$ with

$$\mathcal{H}_{\text{KLM}} = - \sum_{i,j,\sigma} t_{ij} \hat{c}_{i\sigma}^\dagger \hat{c}_{j\sigma} - J_{\text{K}} \sum_i \hat{\mathbf{s}}_i \cdot \mathbf{S}_i, \quad (1)$$

$$\mathcal{H}_{\text{Zeeman}} = - [\mathbf{H} + \mathbf{h}(t)] \cdot \sum_i \mathbf{S}_i, \quad (2)$$

$$\mathcal{H}_{\text{local}} = \sum_{\langle i,j \rangle} J_{\text{AFM}} \mathbf{S}_i \cdot \mathbf{S}_j - D \sum_{\langle i,j \rangle} \mathbf{e}_{ij} \cdot (\mathbf{S}_i \times \mathbf{S}_j), \quad (3)$$

where $\hat{c}_{i\sigma}^\dagger$ ($\hat{c}_{i\sigma}$) denotes a creation (annihilation) operator of a conduction electron with spin σ ($=\uparrow, \downarrow$) at site i . The first term of \mathcal{H}_{KLM} describes the kinetic energy of the conduction electrons with the nearest-neighbor hopping t_1 ($=1$) and the fourth-neighbor hopping t_4 ($=-1$). The second term of \mathcal{H}_{KLM} describes the Kondo exchange coupling between the localized classi-

cal spins \mathbf{S}_i ($|\mathbf{S}_i| = 1$) and the conduction-electron spins $\hat{\mathbf{s}}_i = (1/2) \sum_{\sigma\sigma'} \hat{c}_{i\sigma}^\dagger \boldsymbol{\sigma}_{\sigma\sigma'} \hat{c}_{i\sigma'}$ where $\boldsymbol{\sigma}$ represents the vector of Pauli matrices. The term $\mathcal{H}_{\text{Zeeman}}$ denotes Zeeman coupling associated with the external magnetic field, while the term $\mathcal{H}_{\text{Local}}$ describes the antiferromagnetic (AFM) exchange interactions and the DM interactions between the nearest-neighbor localized spins, where \mathbf{e}_{ij} represents the bond-directional unit vectors. These interactions originate from the hybridizations among the localized orbitals and the spin-orbit coupling [46]. We set $J_{\text{K}}=0.8$ and $J_{\text{AFM}}=0.0008$, and we examine both the cases with and without DM interactions, i.e., $D = 0$ and $D = 0.0002$.

The 4Q-HL texture is described by a superposition of four magnetic helices governed by the nested Fermi surfaces of \mathcal{H}_{KLM} [Figs. 1(h) and (i)]. More specifically, the propagation vectors of helices $\{\mathbf{Q}_\nu\}$ coincide the nesting vectors [Fig. 1(i)]. This is because the effective two-body exchange interactions between the localized spins are governed by the bare susceptibility $\chi_{\mathbf{q}}^0$, which has maxima at momenta \mathbf{q} that correspond to the nesting wavenumbers [47]. Indeed, when J_{K} is weak, the second-order perturbation theory gives $-(J_{\text{K}}/2)^2 \sum_{\mathbf{q} \in \text{BZ}} \chi_{\mathbf{q}}^0 |\mathbf{S}_{\mathbf{q}}|^2$ as the effective interaction.

The tetrahedral four propagations vectors $\{\mathbf{Q}_\nu\}$ are represented by $\mathbf{Q}_1 = (Q_{\text{abs}}, Q_{\text{abs}}, Q_{\text{abs}})$, $\mathbf{Q}_2 = (-Q_{\text{abs}}, -Q_{\text{abs}}, Q_{\text{abs}})$, $\mathbf{Q}_3 = (-Q_{\text{abs}}, Q_{\text{abs}}, -Q_{\text{abs}})$, and $\mathbf{Q}_4 = (Q_{\text{abs}}, -Q_{\text{abs}}, -Q_{\text{abs}})$. In the present study, we set the chemical potential $\mu = -3.79$, which gives $Q_{\text{abs}} \approx \pi/4$. This wavenumber corresponds to a spatial period of $\lambda = 2\pi a / \sqrt{3} Q_{\text{abs}} \sim 2.15$ nm, if we assume the lattice constant of $a = 0.465$ nm, which reproduces the experimentally observed $\lambda = 1.9\text{--}2.1$ nm for $\text{MnSi}_{1-x}\text{Ge}_x$ [27, 30]. Note that the following results are robust, and a fine tuning of the chemical potential is not required [48].

We investigate the ground-state phase diagram of the Hamiltonian \mathcal{H} by using the adiabatic Landau-Lifshitz-Gilbert equation, $\dot{\mathbf{S}}_i = -\mathbf{S}_i \times \mathbf{H}_i^{\text{eff}} + \alpha_{\text{G}} \mathbf{S}_i \times \dot{\mathbf{S}}_i$, where α_{G} is the Gilbert-damping coefficient. The effective local magnetic field is calculated by the first-order differential of thermodynamic potential as $\mathbf{H}_i^{\text{eff}} = -\partial\Omega/\partial\mathbf{S}_i$. For this formulation, we assume an adiabatic condition that dynamics of the conduction electrons are sufficiently fast compared to that of the localized spins and follow them smoothly, so that the conduction electrons are always in equilibrium. The calculations are numerically performed by using the kernel polynomial method combined with the automatic differentiation technique based on the chain rule of Chebyshev polynomials [51–55]. This method is known to be powerful when simulating the low-energy dynamics in spin-charge coupled systems [55–57].

The phase diagram obtained for a system of 16^3 sites is shown in Fig. 2(a). We also confirm that the phase diagram is not changed in an analysis of a larger size system with 32^3 sites. Here the DM parameter is set to be $D = 0.0002$. When $H_z=0$, a 4Q-HL state with

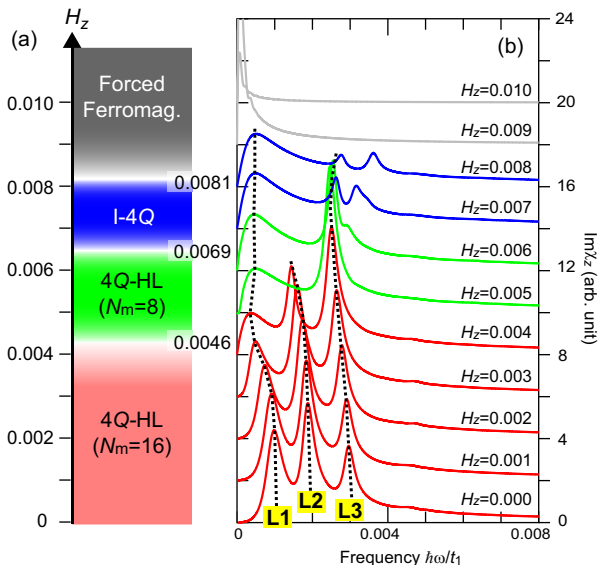


FIG. 2. (a) Ground-state phase diagram as a function of the external magnetic field H_z , which contains the 4Q-HL with $N_m=16$, another 4Q-HL with $N_m=8$, the intermediate 4Q (I-4Q) phase, and the forced ferromagnetic phase. (b) Imaginary part of the longitudinal dynamical magnetic susceptibility for various values of H_z . The DM parameter is set to be $D = 0.0002$.

$N_m = 16$ appears where N_m is the total number of hedgehogs and antihedgehogs in the magnetic unit cell. It is worth mentioning that the stable 4Q-HL state depends on the presence or absence of the DM interaction [32, 35]. When the DM interaction is absent ($D=0$), the 4Q-HL consisting of two right-handed helices and two left-handed helices is stabilized. On the contrary, the 4Q-HL consisting of four-right-handed helices is stabilized in the presence of the DM interaction ($D = 0.0002$). In the following, we focus on the 4Q-HL in the latter case. This chiral 4Q-HL state contains two inequivalent Dirac strings (A and B), each of which connects a hedgehog and an antihedgehog along the z axis. There are eight strings in total, four each for A and B. Note that the magnitude of DM interaction required for stabilizing the chiral 4Q-HL is as small as $D = 0.0002$, which is approximately 35% of J_1^{eff} and 25% of J_{AFM} . Here $J_1^{\text{eff}} = -(J_K/2)^2(1/N_q) \sum_{\mathbf{q} \in \text{BZ}} \chi_{\mathbf{q}}^0 e^{i\mathbf{q} \cdot \mathbf{e}_\gamma}$ ($\gamma = x, y, z$) is the coupling constant of the effective nearest-neighbor ferromagnetic exchange interactions mediated by the conduction electrons.

When the external magnetic field is absent ($H_z = 0$), the Dirac strings A and B have the same length $d_A = d_B = 4a$. As H_z is increased, both d_A and d_B decrease, keeping the relationship $d_A \geq d_B$. The length is defined by $d = |\mathbf{R}_H - \mathbf{R}_{\text{AH}}|$. Here \mathbf{R}_H (\mathbf{R}_{AH}) is a center position of the unit cube on which the (anti)hedgehog is defined, which takes integer values with the lattice constant a as the unit. When the field strength reaches $H_z \approx 0.0046$,

TABLE I. Properties of the collective excitation modes in the 4Q-HL states. The second column shows the Dirac strings at which the mode has large amplitude, while the third column shows the relevant 4Q-HL state.

Mode	Relevant Dirac strings	Relevant 4Q-HL state(s)
L1	-	$N_m = 16, N_m = 8$
L2	Strings B	$N_m = 16$
L3	Strings A	$N_m = 16, N_m = 8$

the length d_B reaches zero first, which results in the pair annihilations of the hedgehog and antihedgehog connected by the String B and vanishing of the String B. Consequently, a topological phase transition occurs from the 4Q-HL state with $N_m=16$ to that with $N_m=8$. This phase transition is characterized by a change of the phase Θ , which is defined by $\Theta = \pi - |\pi - \text{mod}[\Theta', 2\pi]|$ with $\Theta' = \sum_{\nu=1}^4 \theta_\nu$, where θ_ν is the relative phase shift of helix with the propagation vector \mathbf{Q}_ν [Fig. 1(g)]. With increasing H_z , Θ decreases from $\Theta = \pi/3$ and is strongly suppressed around the phase boundary. While Θ is still finite at the phase boundary, it becomes zero when the system goes a little inside the $N_m=8$ phase [Fig. 1(e)] [36]. The ellipticity ε_ν also exhibits a characteristic change with a minimum around the phase boundary [48].

Now we study the collective excitation modes in these chiral 4Q-HL phases by calculating the longitudinal dynamical magnetic susceptibility $\chi_z(\omega)$. Time profiles of the total magnetization $S_z(t)$ are calculated using the aLLG equation after applying a short-time pulse of $\mathbf{h}(t) = h_z \delta(t) \mathbf{e}_z$ and perform the Fourier transformation of $\Delta S_z(t) = S_z(t) - S_z(0)$ to obtain $\chi_z(\omega)$. The Gilbert-damping coefficient is fixed at $\alpha_G=0.04$ for the simulations. The obtained spectra of $\text{Im}\chi_z(\omega)$ show that three intrinsic excitation modes (L1, L2, and L3) appear in the $N_m = 16$ phase, whereas the mode L2 disappears when the system enters the $N_m = 8$ phase. Note that these modes appear in the sub-terahertz regime because $\omega=0.004$ in Fig. 2(b) corresponds to 1 THz approximately when we assume $t_1 = 1$ eV.

A notable property of these longitudinal modes is their spatial localization. Figures 3(a)-(i) show the spatial distribution of oscillation amplitudes for the L1, L2, and L3 modes in the $N_m = 16$ phase at $H_z = 0.001$ excited by a time-dependent field $\mathbf{h}(t) = h_z \sin(\omega_{\text{act}} t) \mathbf{e}_z$ with a small amplitude of $h_z = 10^{-5}$. Here the frequency ω_{act} is fixed at the eigenfrequency of the corresponding mode, and we used $\alpha_G = 0.008$ for the simulations. Similar plots as Fig. 3 for the modes in the $N_m = 16$ phase at $H_z = 0$ and those for the modes in the $N_m = 8$ phase at $H_z = 0.005$ are presented in Figs. S4 and S5 in the Supplemental Materials [48], respectively. Here sizes of the green balls represent norms of the oscillation amplitudes $|\delta \mathbf{S}_i| = \left[\sum_{\mu=x,y,z} (\delta S_{i\mu})^2 \right]^{1/2}$ during a period of the os-

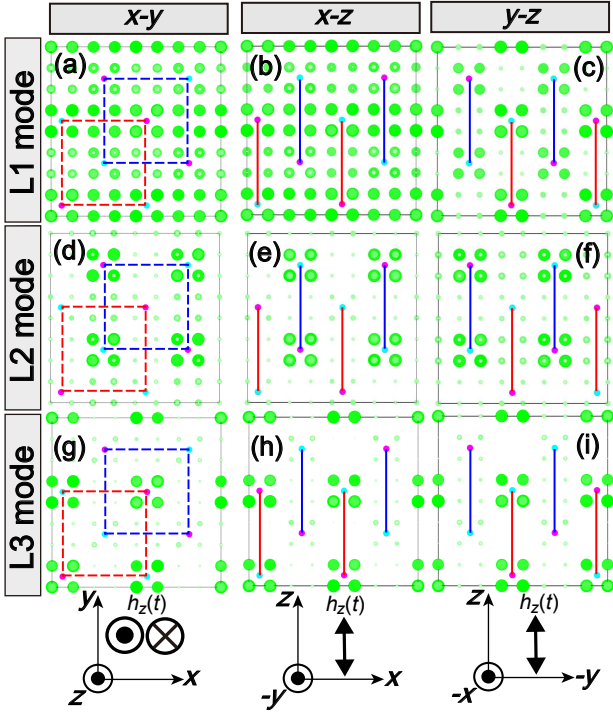


FIG. 3. (a)-(c) Spatial maps of the oscillation amplitudes projected onto the xy , yz and xz planes for the L1 mode in the 4Q-HL phase with $N_m = 16$ when $H_z = 0.001$ and $D = 0.0002$. (d)-(f) Those for the L2 mode. (g)-(i) Those for the L3 modes. The red (blue) solid lines represent Strings A (B), while the red (blue) dashed lines connect Strings A (B) to show their spatial configuration seen along the c axis, which are also shown in Figs. 1(d) and 1(e).

cillation. The ball sizes are normalized with respect to the largest value in the unit cell after subtracting a spatially uniform component for clear visibility.

In these figures, we find that the L2 mode is localized at the Strings B, whereas the L3 mode is at the Strings A. Consequently, the L2 mode disappears when the system enters the $N_m = 8$ phase because the Strings B disappear as the hedgehog-antihedgehog pair annihilations occur upon this phase transition [Fig. 2(b)]. The disappearance of L2 mode manifests the change in magnetic topology from $N_m = 16$ to $N_m = 8$. This conversely indicates that this topological transition can be observed in the magnetic resonance spectra. On the contrary, the L3 mode survives after this phase transition [Fig. 2(b)]. With further increasing H_z , the system enters the intermediate 4Q (I-4Q) phase and subsequently the forced ferromagnetic (FFM) phase. In the I-4Q phase, the hedgehog and antihedgehog connected by a Dirac string collide to be merged with their cores sharing the same cubic unit cell [48]. In this phase, there still exists nonzero scalar spin chirality as a residue of Strings A, although it is no longer quantized, and the L3 mode survive because of the remnant of topology. The mode disappears upon the

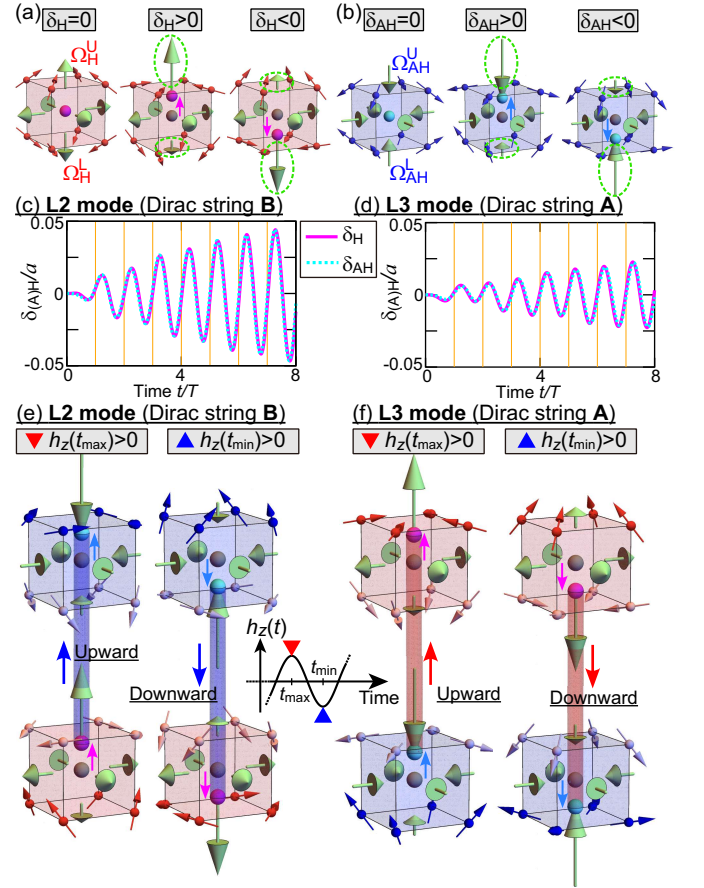


FIG. 4. (a),(b) Relationship of the positions of Bloch points in the crystallographic unit cell and local solid angles composed of localized spins. The length of the green arrows represent the magnitude of solid angle spanned by four localized spins, which is roughly proportional to the local emergent magnetic fields. (c) Time profiles of the displacements $\delta_{(A)H}$ of the Bloch points for the String B in the L2 mode. (d) Time profiles of $\delta_{(A)H}$ for the String A in the L3 mode. (e),(f) Schematics of the oscillatory translational motion of the Dirac strings. $T = 2\pi/\omega_{ac}$ is the time periodicity of the ac magnetic field.

transition to the collinear FFM phase at $H_z \approx 0.0081$, in which the scalar spin chirality vanishes [48].

In contrast to the L2 and L3 modes, the L1 mode is not localized, but its oscillation amplitude is widely distributed in the magnetic unit cell. We also mention two aspects of the spin-wave modes. First, the L1 mode is not C_{4z} -symmetric with respect to the spatial distribution of the oscillation amplitudes as seen in Figs. 3(b) and 3(c) because of the reduced symmetry of the spin texture [48]. Second, the three spin-wave modes are gapped when $H_z=0$ and distinct from those in the 3Q hedgehog lattices discussed in Ref. [41], which are gapless at zero field.

To clarify the characteristics of these intrinsic collective modes, we first focus on a cubic cell with eight spins at its corners that constitute a hedgehog or an antihedgehog

spin texture. The center of the (anti)hedgehog is located within this cube. In the absence of external magnetic field, the (anti)hedgehog spin texture is C_{2x} -, C_{2y} -, and C_{2z} -symmetric, and thus the center of mass of the solid angles spanned by four-spin plaquettes on the six cube faces coincides with the cube center. On the contrary, under application of a magnetic field along z -axis, the spin texture is no longer C_{2x} - and C_{2y} -symmetric, and, thereby, the center of mass of the spin solid angles deviates from the cube center along the z axis.

When a magnetic field along the z axis is applied to the (anti)hedgehog spin texture on a cube, the solid angles $\Omega_{(\text{A})\text{H}}^{\text{U}}$ and $\Omega_{(\text{A})\text{H}}^{\text{L}}$ spanned, respectively, by the four-spin plaquette on the upper face and that on the lower face of the cube become different, whereas the four-spin plaquettes on the side faces constitute solid angles of the same magnitude according to the symmetry. Consequently, the center of mass of the spin solid angles shifts along the z axis as shown in Figs. 4(a) and (b). We define the displacement δ as $\delta_{(\text{A})\text{H}}/a \equiv \frac{1}{2}(|\Omega_{(\text{A})\text{H}}^{\text{U}}| - |\Omega_{(\text{A})\text{H}}^{\text{L}}|) / (|\Omega_{(\text{A})\text{H}}^{\text{U}}| + |\Omega_{(\text{A})\text{H}}^{\text{L}}|)$ with a being the lattice constant.

When the magnetic field temporally oscillates along the z axis, the center of mass of the spin solid angles dynamically changes its position along the z axis, i.e., moves upwards ($\delta_{(\text{A})\text{H}} > 0$) and downwards ($\delta_{(\text{A})\text{H}} < 0$) in an oscillatory manner. The temporal displacement of the center of mass can be calculated by simulating the time evolution of localized spins when the mode is excited by ac magnetic field $\mathbf{h}(t)$ with the corresponding frequency. In Figs. 4(c) and 4(d), the calculated time profiles of displacements $\delta_{(\text{A})\text{H}}$ are plotted for the String B in the L2 mode and the String A in the L3 mode, respectively. We find that the hedgehogs and antihedgehogs oscillate with the same phase. Such an in-phase oscillation of the center-of-mass of each (anti)hedgehog can be regarded as coherent translational motion of the Dirac strings. Schematics of the corresponding motion are also shown in Figs. 4(e) and 4(f).

The oscillatory variation of solid angles of four-spin plaquettes orthogonal to the z axis is analogous to the breathing mode in a skyrmion crystal [58]. It is known that a skyrmion crystal has one breathing mode because it is crystallographically composed of one skyrmion. In contrast, the present $4Q$ -HL states have multiple modes because it contains crystallographically inequivalent two Dirac strings with different vorticities of ± 1 . In this case, two localized modes, i.e., the String-A activated (L3) and the String-B activated (L2) modes are possible. The number of modes active to the longitudinal field is governed by the number of crystallographically inequivalent Dirac strings in the hedgehog-antihedgehog lattice states. This indicates that the absorption spectra in the sub-terahertz regime provide a strong clue to identifying real-space configurations of the hedgehog lattice states and their topological phase transitions caused by

the monopole-antimonopole pair annihilations.

In summary, we have theoretically studied the spin-wave modes of the $4Q$ -HLs in the spin-charge coupled metallic magnets described by the chiral Kondo-lattice model. We have discovered translation modes of Dirac strings in the hedgehog lattices. It has been found that number of the collective modes is governed by the number of crystallographically inequivalent Dirac strings, which offers an experimental opportunity to reveal the spatial configurations of the hedgehogs and antihedgehogs in real magnets such as $\text{MnSi}_{1-x}\text{Ge}_x$ and SrFeO_3 . Our findings are also expected to provide insights into dynamics of hedgehog lattices in other types of magnets including insulating systems [59–61] and their couplings to other degrees of freedom such as lattices and polarizations [62]. The nature and properties of the intrinsic excitation modes in the hedgehog lattices in magnets will open a new research field on the fundamental physics and even engineering of emergent magnetic monopoles in condensed matters.

This work was supported by JSPS KAKENHI (Grant No. 20H00337 and No. 23H04522), JST CREST (Grant No. JPMJCR20T1), and Waseda University Grant for Special Research Projects (2023C-140). R.E. was supported by a Grant-in-Aid for JSPS Fellows (Grant No. 23KJ2047). A part of the numerical simulations was carried out at the Supercomputer Center, Institute for Solid State Physics, University of Tokyo.

-
- [1] P. A. M. Dirac, Proc. R. Soc. A **133**, 60 (1931).
 - [2] M. V. Berry, Proc. R. Soc. Lond. A **392**, 45 (1984).
 - [3] C. Castelnovo, R. Moessner, and S. L. Sondhi, Annu. Rev. Condens. Matter. Phys. **3**, 35 (2012).
 - [4] L. Pan, N. Laurita, K. A. Ross, B. D. Gaulin, and N. Armitage, Nat. Phys. **12**, 361 (2016).
 - [5] P. Fulde, K. Penc, and N. Shannon, Ann. Phys. (Leipzig) **11**, 892 (2002).
 - [6] K. A. Ross, L. Savary, B. D. Gaulin, and L. Balents, Phys. Rev. X **1**, 021002 (2011).
 - [7] M. Udagawa and R. Moessner, Phys. Rev. Lett. **122**, 117201 (2019).
 - [8] G. Xu, H. Weng, Z. Wang, X. Dai, and Z. Fang, Phys. Rev. Lett. **107**, 186806 (2011).
 - [9] M. Uchida, Y. Nakazawa, S. Nishihaya, K. Akiba, M. Kriener, Y. Kozuka, A. Miyake, Y. Taguchi, M. Tokunaga, N. Nagaosa, Y. Tokura, and M. Kawasaki, Nat. Commun. **8**, 2274 (2017).
 - [10] T. Liang, J. Lin, Q. Gibson, T. Gao, M. Hirschberger, M. Liu, R. J. Cava, and N. P. Ong, Phys. Rev. Lett. **118**, 136601 (2016).
 - [11] H. Zhang, C. Q. Xu, and X. Ke, Phys. Rev. B **103**, L201101 (2021).
 - [12] B. Binz, A. Vishwanath, and V. Aji, Phys. Rev. Lett. **96**, 207202 (2006).
 - [13] B. Binz and A. Vishwanath, Phys. Rev. B **74**, 214408 (2006).

- [14] J.-H. Park and J. H. Han, *Phys. Rev. B* **83**, 184406 (2011).
- [15] N. Kanazawa, Y. Onose, T. Arima, D. Okuyama, K. Ohoyama, S. Wakimoto, K. Kakurai, S. Ishiwata, and Y. Tokura, *Phys. Rev. Lett.* **106**, 156603 (2011).
- [16] N. Kanazawa, J.-H. Kim, D. S. Inosov, J. S. White, N. Egetenmeyer, J. L. Gavilano, S. Ishiwata, Y. Onose, T. Arima, B. Keimer, and Y. Tokura, *Phys. Rev. B* **86**, 134425 (2012).
- [17] T. Tanigaki, K. Shibata, N. Kanazawa, X. Yu, Y. Onose, H. S. Park, D. Shindo, and Y. Tokura, *Nano Lett.* **15**, 5438 (2015).
- [18] N. Kanazawa, Y. Nii, X.-X. Zhang, A. S. Mishchenko, G. De Filippis, F. Kagawa, Y. Iwasa, N. Nagaosa, and Y. Tokura, *Nat. Commun.* **7**, 11622 (2016).
- [19] Y. Fujishiro, N. Kanazawa, T. Shimojima, A. Nakamura, K. Ishizaka, T. Koretsune, R. Arita, A. Miyake, H. Mitamura, K. Akiba, M. Tokunaga, J. Shiogai, S. Kimura, S. Awaji, A. Tsukazaki, A. Kikkawa, Y. Taguchi, and Y. Tokura, *Nat. Commun.* **9**, 408 (2018).
- [20] M. Bornemann, S. Grytsiuk, P. F. Baumeister, M. dos Santos Dias, R. Zeller, S. Lounis, and S. Blügel, *J. Phys.: Condens. Matter* **31**, 485801 (2019).
- [21] N. Kanazawa, A. Kitaori, J. S. White, V. Ukleev, H. M. Rønnow, A. Tsukazaki, M. Ichikawa, M. Kawasaki, and Y. Tokura, *Phys. Rev. Lett.* **125**, 137202 (2020).
- [22] Y. Fujishiro, N. Kanazawa, R. Kurihara, H. Ishizuka, T. Hori, F. S. Yasin, X. Z. Yu, A. Tsukazaki, M. Ichikawa, M. Kawasaki, N. Nagaosa, M. Tokunaga, and Y. Tokura, *Nat. Commun.* **12**, 317 (2021).
- [23] V. Pomjakushin, I. Plokhikh, J. S. White, Y. Fujishiro, N. Kanazawa, Y. Tokura, and E. Pomjakushina, *Phys. Rev. B* **107**, 024410 (2023).
- [24] S. Grytsiuk, J.-P. Hanke, M. Hoffmann, J. Bouaziz, O. Gomonay, G. Bihlmayer, S. Lounis, Y. Mokrousov, and S. Blügel, *Nat. Commun.* **11**, 511 (2020).
- [25] A. Yaouanc, P. Dalmas de Réotier, A. Maisuradze, and B. Roessli, *Phys. Rev. B* **95**, 174422 (2017).
- [26] N. Martin, I. Mirebeau, C. Franz, G. Chaboussant, L. N. Fomicheva, and A. V. Tsvyashchenko, *Phys. Rev. B* **99**, 100402(R) (2019).
- [27] Y. Fujishiro, N. Kanazawa, and Y. Tokura, *Appl. Phys. Lett.* **116**, 090501 (2020).
- [28] N. Kanazawa, Y. Fujishiro, K. Akiba, R. Kurihara, H. Mitamura, A. Miyake, A. Matsuo, K. Kindo, M. Tokunaga, and Y. Tokura, *J. Phys. Soc. Jpn.* **91**, 101002 (2022).
- [29] Y. Tokura and N. Kanazawa, *Chem. Rev.* **121**, 2857 (2021).
- [30] Y. Fujishiro, N. Kanazawa, T. Nakajima, X. Z. Yu, K. Ohishi, Y. Kawamura, K. Kakurai, T. Arima, H. Mitamura, A. Miyake, K. Akiba, M. Tokunaga, A. Matsuo, K. Kindo, T. Koretsune, R. Arita, and Y. Tokura, *Nat. Commun.* **10**, 1059 (2019).
- [31] S. Ishiwata, T. Nakajima, J.-H. Kim, D. S. Inosov, N. Kanazawa, J. S. White, J. L. Gavilano, R. Georgii, K. M. Seemann, G. Brandl, P. Manuel, D. D. Khalyavin, S. Seki, Y. Tokunaga, M. Kinoshita, Y. W. Long, Y. Kaneko, Y. Taguchi, T. Arima, B. Keimer, and Y. Tokura, *Phys. Rev. B* **101**, 134406 (2020).
- [32] S. Okumura, S. Hayami, Y. Kato, and Y. Motome, *Phys. Rev. B* **101**, 144416 (2020).
- [33] A. Kitaori, N. Kanazawa, H. Ishizuka, T. Yokouchi, N. Nagaosa, and Y. Tokura, *Phys. Rev. B* **103**, L220410 (2021).
- [34] K. Shimizu, S. Okumura, Y. Kato, and Y. Motome, *Phys. Rev. B* **103**, 184421 (2021).
- [35] S. Okumura, S. Hayami, Y. Kato, and Y. Motome, *J. Phys. Soc. Jpn.* **91**, 093702 (2022).
- [36] K. Shimizu, S. Okumura, Y. Kato, and Y. Motome, *Phys. Rev. B* **105**, 224405 (2022).
- [37] S. Hayami, T. Okubo, and Y. Motome, *Nat. Commun.* **12**, 6927 (2021).
- [38] S. Hayami and Y. Motome, *J. Phys.: Condens. Matter* **33**, 443001 (2021).
- [39] Y. Kato and Y. Motome, *Phys. Rev. B* **107**, 094437 (2023).
- [40] J. Schwinger, *Science* **165**, 757 (1969).
- [41] X.-X. Zhang, A. S. Mishchenko, G. De Filippis, and N. Nagaosa, *Phys. Rev. B* **94**, 174428 (2016).
- [42] J. Zou, S. Zhang, and Y. Tserkovnyak, *Phys. Rev. Lett.* **125**, 267201 (2020).
- [43] Y. Kato, S. Hayami, and Y. Motome, *Phys. Rev. B* **104**, 224405 (2021).
- [44] G. V. Paradezhenko, A. A. Pervishko, N. Swain, P. Sengupta, and D. Yudin, *Phys. Chem. Chem. Phys.* **24**, 24317 (2022).
- [45] S. Aoki, H. Fukaya, N. Kan, M. Koshino, and Y. Matsuki, arXiv:2304.13954.
- [46] T. Nomoto, T. Koretsune, and R. Arita, *Phys. Rev. Lett.* **125**, 117204 (2020).
- [47] S. Hayami, R. Ozawa, and Y. Motome, *Phys. Rev. B* **95**, 224424 (2017).
- [48] See Supplemental Materials [URL].
- [49] Y. Akagi, M. Udagawa, and Y. Motome, *Phys. Rev. Lett.* **108**, 096401 (2012).
- [50] S. Hayami and Y. Motome, *Phys. Rev. B* **90**, 060402(R) (2014).
- [51] L.-W. Wang, *Phys. Rev. B* **49**, 10154 (1994).
- [52] Y. Motome and N. Furukawa, *J. Phys. Soc. Jpn.* **68**, 3853 (1999).
- [53] A. Weiße, G. Wellein, A. Alvermann, and H. Fehske, *Rev. Mod. Phys.* **78**, 275 (2006).
- [54] K. Barros and Y. Kato, *Phys. Rev. B* **88**, 235101 (2013).
- [55] G.-W. Chern, K. Barros, Z. Wang, H. Suwa, and C. D. Batista, *Phys. Rev. B* **97**, 035120 (2018).
- [56] Z. Wang, K. Barros, G.-W. Chern, D. L. Maslov, and C. D. Batista, *Phys. Rev. Lett.* **117**, 206601 (2016).
- [57] R. Eto, R. Pohle, and M. Mochizuki, *Phys. Rev. Lett.* **129**, 017201 (2022).
- [58] M. Mochizuki, *Phys. Rev. Lett.* **108**, 017601 (2012).
- [59] S.-G. Yang, Y.-H. Liu, and J. H. Han, *Phys. Rev. B* **94**, 054420 (2016).
- [60] K. Aoyama and H. Kawamura, *Phys. Rev. B* **103**, 014406 (2021).
- [61] S. Watanabe, *Proc. Natl. Acad. Sci. U.S.A.* **118**, e2112202118 (2021).
- [62] X.-X. Zhang and N. Nagaosa, *New. J. Phys.* **19** 043012 (2017).