







Tight (Double) Exponential Bounds for Identification Problems: Locating-Dominating Set and Test Cover




Dipayan Chakraborty   

Université Clermont Auvergne, CNRS, Mines Saint-Étienne, Clermont Auvergne INP, LIMOS, 63000 Clermont-Ferrand, France

Department of Mathematics and Applied Mathematics, University of Johannesburg, Auckland Park, 2006, South Africa

Florent Foucaud   

Université Clermont Auvergne, CNRS, Mines Saint-Étienne, Clermont Auvergne INP, LIMOS, 63000 Clermont-Ferrand, France

Diptapriyo Majumdar   

Indraprastha Institute of Information Technology Delhi, Delhi, India

Prafullkumar Tale   

Indian Institute of Science Education and Research Bhopal, Bhopal, India

Abstract

Foucaud et al. [ICALP 2024] demonstrated that some problems in NP can admit (tight) double-exponential lower bounds when parameterized by treewidth or vertex cover. They showed these first-of-their-kind results by proving conditional lower bounds for certain graph problems, in particular, the metric-based identification problems (STRONG) METRIC DIMENSION. We continue this line of research and highlight the usefulness of this type of problems, to prove relatively rare types of (tight) lower bounds. We investigate fine-grained algorithmic aspects for classic (non-metric-based) identification problems in graphs, namely LOCATING-DOMINATING SET, and in set systems, namely TEST COVER. In the first problem, an input is a graph G on n vertices and an integer k , and the objective is to decide whether there is a subset S of k vertices such that any two distinct vertices not in S are dominated by distinct subsets of S . In the second problem, an input is a set of items U , a collection of subsets \mathcal{F} of U called *tests*, and an integer k , and the objective is to select a set S of at most k tests such that any two distinct items are contained in a distinct subset of tests of S .

For our first result, we adapt the techniques introduced by Foucaud et al. [ICALP 2024] to prove similar (tight) lower bounds for these two problems.

- LOCATING-DOMINATING SET (respectively, TEST COVER) parameterized by the treewidth of the input graph (respectively, the natural auxiliary graph) does not admit an algorithm running in time $2^{2^{\sigma(\text{tw})}} \cdot \text{poly}(n)$ (respectively, $2^{2^{\sigma(\text{tw})}} \cdot \text{poly}(|U| + |\mathcal{F}|)$), unless the ETH fails.

This augments the short list of NP-Complete problems that admit tight double-exponential lower bounds when parameterized by treewidth, and shows that “local” (non-metric-based) problems can also admit such bounds. We show that these lower bounds are tight by designing treewidth-based dynamic programming schemes with matching running times.

Next, we prove that these two problems also admit ‘exotic’ (and tight) lower bounds, when parameterized by the solution size k . We prove that unless the ETH fails,

- LOCATING-DOMINATING SET does not admit an algorithm running in time $2^{\sigma(k^2)} \cdot \text{poly}(n)$, nor a polynomial-time kernelization algorithm that reduces the solution size and outputs a kernel with $2^{\sigma(k)}$ vertices, and
- TEST COVER does not admit an algorithm running in time $2^{2^{\sigma(k)}} \cdot \text{poly}(|U| + |\mathcal{F}|)$ nor a kernel with $2^{2^{\sigma(k)}}$ vertices.

Again, we show that these lower bounds are tight by designing (kernelization) algorithms with matching running times. To the best of our knowledge, LOCATING-DOMINATING SET is the first known problem FPT for the solution size k , where the optimal running time has a quadratic function in the exponent. These results also extend the (very) small list of problems that admit an ETH-based lower bound on the number of vertices in a kernel, and (for TEST COVER) a double-exponential



© Chakraborty, Foucaud, Majumdar, Tale; licensed under Creative Commons License CC-BY 4.0

42nd Conference on Very Important Topics (CVIT 2016).

Editors: John Q. Open and Joan R. Access; Article No. 23; pp. 23:1–23:32



Leibniz International Proceedings in Informatics

Schloss Dagstuhl – Leibniz-Zentrum für Informatik, Dagstuhl Publishing, Germany

23:2 Tight (Double) Exponential Bounds for Identification Problems

lower bound when parameterized by the solution size. Whereas it is the first example, to the best of our knowledge, that admit a double exponential lower bound for the number of vertices.

2012 ACM Subject Classification Theory of computation → Fixed parameter tractability

Keywords and phrases Identification Problems, Locating-Dominating Set, Test Cover, Double Exponential Lower Bound, ETH, Kernelization Lower Bounds

Digital Object Identifier 10.4230/LIPIcs.CVIT.2016.23

Funding *Dipayan Chakraborty*: Public grant overseen by the French National Research Agency as part of the “Investissements d’Avenir” through the IMobS3 Laboratory of Excellence (ANR-10-LABX-0016), the International Research Center “Innovation Transportation and Production Systems” of the I-SITE CAP 20-25 and by the ANR project GRALMECO (ANR-21-CE48-0004).

Florent Foucaud: ANR project GRALMECO (ANR-21-CE48-0004), French government IDEX-ISITE initiative 16-IDEX-0001 (CAP 20-25), International Research Center “Innovation Transportation and Production Systems” of the I-SITE CAP 20-25.

Diptapriyo Majumdar: Supported by the Science and Engineering Research Board (SERB) grant SRG/2023/001592.

1 Introduction

The article aims to study the algorithmic properties of certain identification problems in discrete structures. In identification problems, one wishes to select a solution substructure of an input structure (a subset of vertices, the coloring of a graph, etc.) so that the solution substructure uniquely identifies each element. Some well-studied examples are, for example, the problems TEST COVER for set systems and METRIC DIMENSION for graphs (Problems [SP6] and [GT61] in the book by Garey and Johnson [36], respectively). This type of problem has been studied since the 1960s both in the combinatorics community (see e.g. Rényi [60] or Bondy [8]), and in the algorithms community since the 1970s [6, 9, 23, 55]. They have multiple practical and theoretical applications, such as network monitoring [59], medical diagnosis [55], bioinformatics [6], coin-weighing problems [62], graph isomorphism [3], games [17], machine learning [16] etc. An online bibliography on the topic with over 500 entries as of 2024 is maintained at [44].

In this article, we investigate fine-grained algorithmic aspects of identification problems: in graphs, namely LOCATING-DOMINATING SET, and in set systems, namely TEST COVER. Like most other interesting and practically motivated computational problems, identification problems also turned out to be NP-hard, even in very restricted settings. See, for example, [18] and [36], respectively. We refer the reader to ‘Related Work’ towards the end of this section for a more detailed overview on their algorithmic complexity.

To cope with this hardness, these problems have been studied through the lense of parameterized complexity. In this paradigm, we associate each instance I with a parameter ℓ , and are interested to know whether the problem admits a *fixed parameter tractable* (FPT) algorithm, i.e., an algorithm with the running time $f(\ell) \cdot |I|^{\mathcal{O}(1)}$, for some computable function f . A parameter may originate from the formulation of the problem itself, called *natural parameters*, or it can be a property of the input graph, called *structural parameters*. One of the most well-studied structural parameters is ‘treewidth’ (which, informally, quantifies how close the input graph is to a tree, and is denoted by tw). We refer readers to [25, Chapter 7] for a formal definition. Courcelle’s celebrated theorem [19] states that the class of graph problems expressible in Monadic Second-Order Logic (MSOL) of constant size admit an

algorithm running in time $f(\text{tw}) \cdot \text{poly}(n)$. Hence, a large class of problems admit an FPT algorithm when parameterized by the treewidth. Unfortunately, the function f is a tower of exponents whose height depends roughly on the size of the MSOL formula. Hence, this result serves as a starting point to obtain an (usually impractical) FPT algorithm.

Over the years, researchers have searched for more efficient problem-specific algorithms when parameterized by the treewidth. There is a rich collection of problems that admit an FPT algorithm with single- or almost-single-exponential dependency with respect to treewidth, i.e., of the form $2^{\mathcal{O}(\text{tw})} \cdot n^{\mathcal{O}(1)}$ or $2^{\mathcal{O}(\text{tw} \log(\text{tw}))} \cdot n^{\mathcal{O}(1)}$, (see, for example, [25, Chapter 7]). There are a handful of graph problems that only admit FPT algorithms with double- or triple-exponential dependence in the treewidth [7, 27, 28, 29, 39, 54]. In the respective articles, the authors prove that this double- (respectively, triple-) dependence in the treewidth cannot be improved unless the Exponential Time Hypothesis (ETH)¹ fails.

All the double- (or triple-) exponential lower bounds in treewidth mentioned in the previous paragraph are for problems that are #NP-complete, Σ_2^P -complete, or Π_2^P -complete. Indeed, until recently, this type of lower bounds were known only for problems that are complete for levels that are higher than NP in the polynomial hierarchy. Foucaud et al. [33] recently proved for the first time, that it is not necessary to go to higher levels of the polynomial hierarchy to achieve double-exponential lower bounds in the treewidth. The authors studied three NP-complete *metric-based graph problems* viz METRIC DIMENSION, STRONG METRIC DIMENSION, and GEODETIC SET. They proved that these problems admit double-exponential lower bounds in tw (and, in fact in the size of minimum vertex cover size vc for the second problem) under the ETH. The two first of these three problems are identification problems.

In this article, we continue this line of research and highlight the usefulness of identification problems to prove relatively rare types of lower bounds, by investigating fine-grained algorithmic aspects of LOCATING-DOMINATING SET and TEST COVER, two classic (non-metric-based) identification problems. This also shows that this type of bounds can hold for “local” (i.e., non-metric-based) problems (the problems studied in [33] were all metric-based). Apart from serving as examples for double-exponential dependence on treewidth, these problems are of interest in their own right, and possess a rich literature both in the algorithms and discrete mathematics communities, as highlighted in ‘Related Work’.

LOCATING-DOMINATING SET

Input: A graph G on n vertices and an integer k .

Question: Does there exist a locating-dominating set of size k in G , that is, a set S of $V(G)$ of size at most k such that for any two different vertices $u, v \in V(G) \setminus S$, their neighbourhoods in S are different, i.e., $N(u) \cap S \neq N(v) \cap S$ and non-empty?

TEST COVER

Input: A set of items U , a collection \mathcal{F} of subsets of U called *tests*, and an integer k .

Question: Does there exist a collection of at most k tests such that for each pair of items, there is a test that contains exactly one of the two items?

As TEST COVER is defined over set systems, for structural parameters, we define an *auxiliary graph* in the natural way: A bipartite graph G on n vertices with bipartition $\langle R, B \rangle$ of $V(G)$ such that sets R and B contain a vertex for every set in \mathcal{F} and for every item in U , respectively, and $r \in R$ and $b \in B$ are adjacent if and only if the set corresponding to r

¹ The ETH roughly states that n -variable 3-SAT cannot be solved in time $2^{o(n)}$. See [25, Chapter 14].

contains the element corresponding to b .

The LOCATING-DOMINATING SET problem is also a *graph domination problem*. In the classic DOMINATING SET problem, an input is an undirected graph G and an integer k , and the objective is to decide whether there is a subset $S \subseteq V(G)$ of size k such that for any vertex $u \in V(G) \setminus S$, at least one of its neighbours is in S . It can also be seen as a local version of METRIC DIMENSION² in which the input is the same and the objective is to decide a set S of $V(G)$ such that for any two vertices $u, v \in V(G) \setminus S$, there exists a vertex $s \in S$ such that $\text{dist}(u, s) \neq \text{dist}(v, s)$.

We demonstrate the applicability of the techniques from [33] to these two problems. We adopt the main technique developed in [33] to our setting, namely, the *bit-representation gadgets* and *set representation gadget* to prove the following result.

► **Theorem 1.** *Unless the ETH fails, LOCATING-DOMINATING SET (respectively, TEST COVER) parameterized by the treewidth of the input graph (respectively, the natural auxiliary graph) does not admit an algorithm running in time $2^{2^{o(\text{tw})}} \cdot \text{poly}(n)$.*

We remark that the algorithmic lower bound of Theorem 1 holds true even with respect to treedepth, a parameter larger than treewidth. In contrast, DOMINATING SET admits an algorithm running in time $\mathcal{O}(3^{\text{tw}} \cdot n^2)$ [68, 53]. We prove that both LOCATING-DOMINATING SET and TEST COVER admit an algorithm with matching running time in Theorem 5 and Theorem 15, by nontrivial dynamic programming schemes on tree decompositions.

Theorem 1 adds LOCATING-DOMINATING SET and TEST COVER to the short list of NP problems that admit (tight) double-exponential lower bounds for treewidth. Using the techniques mentioned in [33], two more problems, viz. NON-CLASHING TEACHING MAP and NON-CLASHING TEACHING DIMENSION, from learning theory were recently shown in [12] to admit similar lower bounds.

Next, we prove that LOCATING-DOMINATING SET and TEST COVER also admit ‘exotic’ lower bounds, when parameterized by the solution size k . First, note that both problems are trivially FPT when parameterized by the solution size. Indeed, as any solution must have size at least logarithmic in the number of elements/vertices (assuming no redundancy in the input), the whole instance is a trivial single-exponential kernel for LOCATING-DOMINATING SET, and double-exponential in the case of TEST COVER. To see this, note that in both problems, any two vertices/items must be assigned a distinct subset from the solution set. Hence, if there are more than 2^k of them, we can safely reject the instance. Thus, for LOCATING-DOMINATING SET, we can assume that the graph has at most $2^k + k$ vertices, and for TEST COVER, at most 2^k items. Moreover, for TEST COVER, one can also assume that every test is unique (otherwise, delete any redundant test), in which case there are at most 2^{2^k} tests. Hence, LOCATING-DOMINATING SET admits a kernel with size $\mathcal{O}(2^k)$, and an FPT algorithm running in time $2^{\mathcal{O}(k^2)}$ (See Proposition 13). We prove that both of these bounds are optimal.

► **Theorem 2.** *Unless the ETH fails, LOCATING-DOMINATING SET, parameterized by the solution size k , does not admit*

- *an algorithm running in time $2^{o(k^2)} \cdot n^{\mathcal{O}(1)}$, nor*
- *a polynomial time kernelization algorithm that reduces the solution size and outputs a kernel with $2^{o(k)}$ vertices.*

² Note that METRIC DIMENSION is also an identification problem, but it is inherently non-local in nature, and indeed was studied together with two other non-local problems in [33], where the similarities between these non-local problems were noticed.

To the best of our knowledge, LOCATING-DOMINATING SET is the first known problem to admit such an algorithmic lower bound, with a matching upper bound, when parameterized by the solution size. The only other problems known to us, admitting similar lower bounds, are for structural parameterizations like vertex cover [1, 12, 33] or pathwidth [57, 61]. The second result is also quite rare in the literature. The only results known to us about ETH-based conditional lower bounds on the number of vertices in a kernel when parameterized by the solution size are for EDGE CLIQUE COVER [24] and BICLIQUE COVER [13]³. Theorem 2 also improves upon a “no $2^{\mathcal{O}(k)}n^{\mathcal{O}(1)}$ algorithm” bound from [4] (under $W[2] \neq \text{FPT}$) and a $2^{o(k \log k)}$ ETH-based lower bound recently proved in [10].

Now, consider the case of TEST COVER. As mentioned before, it is safe to assume that $|\mathcal{F}| \leq 2^{|U|}$ and $|U| \leq 2^k$. By Bondy’s celebrated theorem [8], which asserts that in any feasible instance of TEST COVER, there is always a solution of size at most $|U| - 1$, we can also assume that $k \leq |U| - 1$. Hence, the brute-force algorithm that enumerates all the sub-collections of tests of size at most k runs in time $|\mathcal{F}|^{\mathcal{O}(|U|)} = 2^{\mathcal{O}(|U|^2)} = 2^{2^{\mathcal{O}(k)}}$. Our next result proves that this simple algorithm is again optimal.

- **Theorem 3.** *Unless the ETH fails, TEST COVER does not admit*
- *an algorithm running in time $2^{2^{\mathcal{O}(k)}} \cdot (|U| + |\mathcal{F}|)^{\mathcal{O}(1)}$, nor*
 - *a polynomial time kernelization algorithm that reduces the solution size and outputs a kernel with $2^{2^{\mathcal{O}(k)}}$ vertices.*

This result adds TEST COVER to the relatively rare list of NP-complete problems that admit such double-exponential lower bounds when parameterized by the solution size and the matching algorithm. The only other examples that we know of are EDGE CLIQUE COVER [24], DISTINCT VECTORS PROBLEM [58], and TELEPHONE BROADCAST [66]. For double-exponential algorithmic lower bounds with respect to structural parameters, please see [30, 39, 43, 46, 48, 50, 51, 52]. The second result in the theorem is a simple corollary of the first result. Assume that the problem admits a kernel with $2^{2^{\mathcal{O}(k)}}$ vertices. Then, the brute-force enumerating all the possible solutions works in time $\binom{2^{2^{\mathcal{O}(k)}}}{k} \cdot (|U| + |\mathcal{F}|)^{\mathcal{O}(1)}$, which is $2^{k \cdot 2^{\mathcal{O}(k)}} \cdot (|U| + |\mathcal{F}|)^{\mathcal{O}(1)}$, which is $2^{2^{\mathcal{O}(k)}} \cdot (|U| + |\mathcal{F}|)^{\mathcal{O}(1)}$, contradicting the first result. To the best of our knowledge, TEST COVER is the first problem that admit a double exponential kernelization lower bound for the number of vertices when parameterized by solution size, or by any natural parameter.

Related Work. LOCATING-DOMINATING SET was introduced by Slater in the 1980s [63, 64]. The problem is NP-complete [18], even for special graph classes such as planar unit disk graphs [56], planar bipartite subcubic graphs, chordal bipartite graphs, split graphs and co-bipartite graphs [32], interval and permutation graphs of diameter 2 [35]. By a straightforward application of Courcelle’s theorem [20], LOCATING-DOMINATING SET is FPT for parameter treewidth and even cliquewidth [21]. Explicit polynomial-time algorithms were given for trees [63], block graphs [2], series-parallel graphs [18], and cographs [34]. Regarding the approximation complexity of LOCATING-DOMINATING SET, see [32, 37, 65].

It was shown in [4] that LOCATING-DOMINATING SET cannot be solved in time $2^{o(n)}$ on bipartite graphs, nor in time $2^{o(\sqrt{n})}$ on planar bipartite graphs or on apex graphs, assuming the ETH. Moreover, they also showed that LOCATING-DOMINATING SET cannot be solved

³ Additionally, POINT LINE COVER does not admit a kernel with $\mathcal{O}(k^{2-\epsilon})$ vertices, for any $\epsilon > 0$, unless $\text{NP} \subseteq \text{coNP}/\text{poly}$ [49].

in time $2^{\mathcal{O}(k)}n^{\mathcal{O}(1)}$ on bipartite graphs, unless $W[2] = \text{FPT}$. Note that the authors of [4] have designed a complex framework with the goal of studying a large class of identification problems related to `LOCATING-DOMINATING SET` and similar problems.

In [11], structural parameterizations of `LOCATING-DOMINATING SET` were studied. It was shown that the problem admits a linear kernel for the parameter max-leaf number, however (under standard complexity assumptions) no polynomial kernel exists for the solution size, combined with either the vertex cover number or the distance to a clique. They also provide a double-exponential kernel for the parameter distance to the cluster. In the full version [10] of [11], the same authors show that `LOCATING-DOMINATING SET` does neither admit a $2^{\mathcal{O}(k \log k)}n^{\mathcal{O}(1)}$ -time nor an $n^{\mathcal{O}(k)}$ -time algorithm, assuming the `ETH`.

`TEST COVER` was shown to be `NP`-complete by Garey and Johnson [36, Problem SP6] and it is also hard to approximate within a ratio of $(1 - \epsilon) \ln n$ [9] (an approximation algorithm with ratio $1 + \ln n$ exists by reduction to `SET COVER` [6]). As any solution has size at least $\log_2(n)$, the problem admits a trivial kernel of size 2^{2^k} , and thus `TEST COVER` is `FPT` parameterized by solution size k . `TEST COVER` was studied within the framework of “above/below guarantee” parameterizations in [5, 22, 23, 38] and kernelization in [5, 22, 38]. These results have shown an intriguing behavior for `TEST COVER`, with some nontrivial techniques being developed to solve the problem [5, 23]. `TEST COVER` is `FPT` for parameters $n - k$, but $W[1]$ -hard for parameters $m - k$ and $k - \log_2(n)$ [23]. However, assuming standard assumptions, there is no polynomial kernel for the parameterizations by k and $n - k$ [38], although there exists a “partially polynomial kernel” for parameter $n - k$ [5] (i.e. one with $O((n - k)^7)$ elements, but potentially exponentially many tests). When the tests have all a fixed upper bound r on their size, the parameterizations by k , $n - k$ and $m - k$ all become `FPT` with a polynomial kernel [22, 38].

The problem `DISCRIMINATING CODE` [14] is very similar to `TEST COVER` (with the distinction that the input is presented as a bipartite graph, one part representing the elements and the other, the tests, and that every element has to be covered by some solution test), and has been shown to be `NP`-complete even for planar instances [15].

Organization. We use the standard notations which we specify in Section 2. We use the `LOCATING-DOMINATING SET` problem to demonstrate key technical concepts regarding our lower bounds and algorithms. We present overview of the arguments about `LOCATING-DOMINATING SET` in Sections 3 and 4, respectively, for parameters treewidth and solution size. The arguments regarding `TEST COVER` follow the identical line and are presented in Section 5. We conclude with some open problems in Section 6.

2 Preliminaries

For a positive integer q , we denote the set $\{1, 2, \dots, q\}$ by $[q]$. We use \mathbb{N} to denote the collection of all non-negative integers.

Graph theory We use standard graph-theoretic notation, and we refer the reader to [26] for any undefined notation. For an undirected graph G , sets $V(G)$ and $E(G)$ denote its set of vertices and edges, respectively. We denote an edge with two endpoints u, v as uv . Unless otherwise specified, we use n to denote the number of vertices in the input graph G of the problem under consideration. Two vertices u, v in $V(G)$ are *adjacent* if there is an edge uv in G . The *open neighborhood* of a vertex v , denoted by $N_G(v)$, is the set of vertices adjacent to v . The *closed neighborhood* of a vertex v , denoted by $N_G[v]$, is the set $N_G(v) \cup \{v\}$. We say

that a vertex u is a *pendant vertex* if $|N_G(v)| = 1$. We omit the subscript in the notation for neighborhood if the graph under consideration is clear. For a subset S of $V(G)$, we define $N[S] = \bigcup_{v \in S} N[v]$ and $N(S) = N[S] \setminus S$. For a subset S of $V(G)$, we denote the graph obtained by deleting S from G by $G - S$. We denote the subgraph of G induced on the set S by $G[S]$.

Locating-Dominating Sets A subset of vertices S in graph G is called its *dominating set* if $N[S] = V(G)$. A dominating set S is said to be a *locating-dominating set* if for any two different vertices $u, v \in V(G) \setminus S$, we have $N(u) \cap S \neq N(v) \cap S$. In this case, we say vertices u and v are *distinguished* by the set S . We say a vertex u is *located* by set S if for any vertex $v \in V(G) \setminus \{u\}$, $N(u) \cap S \neq N(v) \cap S$. By extension, a set X is *located* by S if all vertices in X are located by S . We note the following simple observation.

► **Observation 4.** *If S is a locating-dominating set of a graph G , then there exists a locating-dominating set S' of G such that $|S'| \leq |S|$ and that contains all vertices that are adjacent with a pendant vertices (i.e. vertices of degree 1) in G .*

Proof. Let u be a pendant vertex which is adjacent with a vertex v of G . We now look for a locating dominating set S' of G such that $|S'| \leq |S|$ and contains the vertex v . As S is a (locating) dominating set, we have $\{u, v\} \cap S \neq \emptyset$. If $v \in S$, then take $S' = S$. Therefore, let us assume that $u \in S$ and $v \notin S$. Define $S' = (S \cup \{v\}) \setminus \{u\}$. It is easy to see that S' is a dominating set. If S' is not a locating-dominating set, then there exists w , apart from u , in the neighbourhood of v such that both u and w are adjacent with *only* v in S' . As u is a pendant vertex and v its unique neighbour, w is not adjacent with u . Hence, w was not adjacent with any vertex in $S' \setminus \{v\} = S \setminus \{u\}$. This, however, contradicts the fact that S is a (locating) dominating set. Hence, S' is a locating-dominating set and $|S'| = |S|$. Thus, the result follows from repeating this argument for each vertex of G adjacent to a pendant vertex. ◁

Parameterized complexity An instance of a parameterized problem Π consists of an input I , which is an input of the non-parameterized version of the problem, and an integer k , which is called the *parameter*. Formally, $\Pi \subseteq \Sigma^* \times \mathbb{N}$. A problem Π is said to be *fixed-parameter tractable*, or FPT, if given an instance (I, k) of Π , we can decide whether (I, k) is a YES-instance of Π in time $f(k) \cdot |I|^{\mathcal{O}(1)}$. Here, $f : \mathbb{N} \mapsto \mathbb{N}$ is some computable function depending only on k . A parameterized problem Π is said to admit a *kernelization* if given an instance (I, k) of Π , there is an algorithm that runs in time polynomial in $|I| + k$ and constructs an instance (I', k') of Π such that (i) $(I, k) \in \Pi$ if and only if $(I', k') \in \Pi$, and (ii) $|I'| + k' \leq g(k)$ for some computable function $g : \mathbb{N} \mapsto \mathbb{N}$ depending only on k . If $g(\cdot)$ is a polynomial function, then Π is said to admit a *polynomial kernelization*. For a detailed introduction to parameterized complexity and related terminologies, we refer the reader to the recent books by Cygan et al. [25] and Fomin et al. [31].

3 Locating-Dominating Set Parameterized by Treewidth

In the first subsection, we present a dynamic programming algorithm that solves the problem in $2^{2^{\mathcal{O}(\text{tw})}} \cdot n^{\mathcal{O}(1)}$. In the second subsection, we prove that this dependency on treewidth is optimal, upto the multiplicative constant factors, under the ETH.

3.1 Upper Bound

In this subsection, we present a dynamic programming based algorithm for LOCATING-DOMINATING SET to prove the following theorem.

► **Theorem 5.** *LOCATING-DOMINATING SET, parameterized by the treewidth tw of the input graph admits an algorithm running in time $2^{2^{\mathcal{O}(tw)}} \cdot n^{\mathcal{O}(1)}$.*

We start with necessary definitions.

► **Definition 6.** *A tree decomposition of an undirected graph $G = (V, E)$ is a pair $\mathcal{T} = (T, \mathcal{X} = \{X_t\}_{t \in V(T)})$ where T is a tree and \mathcal{X} is a collection of subsets of $V(G)$ such that*

- *for every vertex $u \in V(G)$, there is $t \in V(T)$ such that $u \in X_t$,*
- *for every edge $uv \in E(G)$, there is $t \in V(T)$ such that $u, v \in X_t$, and*
- *for every $u \in V(G)$, the set of nodes in T that contains u , i.e. $\{t \in V(T) \mid u \in X_t\}$ forms a connected subgraph of T .*

Given a tree decomposition \mathcal{T} , the *width* of \mathcal{T} is defined as $\max_{t \in V(T)} \{|X_t| - 1\}$ and the *treewidth* of a graph is the minimum width over all possible tree decompositions of G . Trivially, any graph with n vertices has treewidth at most $n - 1$. Informally, treewidth is a measure of how close a graph is to a tree, and the treewidth of a tree is 1.

Since the dynamic programming is easier for tree decompositions with special properties, we introduce the classic notion of a *nice tree decomposition* [45] as follows. A rooted tree decomposition $\mathcal{T} = (T, \{X_t\}_{t \in V(T)})$ is said to be *nice* if every node of T has at most two children and is one of the following types.

- **Root node:** $r \in V(T)$ is the root of the tree such that $X_r = \emptyset$.
- **Leaf node:** $t \in V(T)$ is a *leaf node* if it has no children and $X_t = \emptyset$.
- **Introduce node:** $t \in V(T)$ is said to be an *introduce node* if t has a unique child t' such that $X_t = X_{t'} \uplus \{u\}$ for some $u \in V(G)$.
- **Forget node:** $t \in V(T)$ is said to be a *forget node* if t has a unique child t' such that $X_{t'} = X_t \uplus \{u\}$ for some $u \in V(G)$.
- **Join node:** $t \in V(T)$ is said to be a *join node* if t has exactly two children t_1 and t_2 such that $X_t = X_{t_1} = X_{t_2}$.

We can omit the assumption that the input graph G is provided with a tree decomposition of width tw . We simply invoke an algorithm provided by Korhonen [47] that runs in time $2^{\mathcal{O}(tw)}n$ and outputs a tree decomposition of width $w \leq 2tw + 1$. Suppose G is an undirected graph and \mathcal{T} is a tree decomposition of G having width w . Then, there exists an algorithm that runs in $\mathcal{O}(nw^2)$ -time and outputs a nice tree decomposition of width w [45].

Dynamic Programming: Let $\mathcal{T} = (T, \{X_t\}_{t \in V(T)})$ be a nice tree decomposition of G of minimum width $tw(G)$ with root r . We are now ready to describe the details of the dynamic programming over \mathcal{T} . For every node $t \in V(T)$, consider the subtree T_t of T rooted at t . Let G_t denotes the subgraph of G that is induced by the vertices that are present in the bags of T_t . For every node $t \in T$, we define a subproblem (or DP-state) using a tuple $[t, (Y, W), (\mathcal{A}, \mathcal{D}), \mathcal{B}]$. Consider a partition $(Y, W, X_t \setminus (Y \cup W))$ of X_t . The first part denotes the vertices in the partial solution S (and hence they are located) whereas the second part denotes the vertices in X_t that are dominated (but need not be located) by solution vertices in G_t but that are outside X_t . To extend this partial solution, we need to keep track of vertices that are adjacent with unique subset in Y . For example, suppose there is vertex

$u \in V(G_t) \setminus X_t$ such that $N_{G_t}(u) \cap S = A$ for some subset $A \subseteq Y$. Then, there should not be a vertex, say v , in $V(G) \setminus V(G_t)$ such that $N_{G_t}(v) \cap S' = A$, where S' is an extension of the partial solution S . Hence, we need to keep track of all such vertices by keeping track of the neighbourhood of all such vertices. We define \mathcal{A} , which is a subset of power set of Y , to store all such sets that are neighbours of vertices in $V(G_t) \setminus X_t$. Similarly, we define \mathcal{D} to store all such sets with respect to vertices that are in X_t . Finally, we define \mathcal{B} to store the pair of vertices that needs to be resolved by the extension of the partial solution. Formally, $\text{opt}[t, (Y, W), (\mathcal{A}, \mathcal{D}), \mathcal{B}]$ to denote the size of a set $S \subseteq V(G_t)$ with minimum cardinality such that

- $Y = S \cap X_t$ and $W = N_{G_t}(S \setminus X_t) \cap X_t$,
- $\mathcal{A} \subseteq 2^Y$ such that $A \in \mathcal{A}$ if and only if there exists a (unique) $u \in V(G_t) \setminus (S \cup X_t)$ such that $N_{G_t}(u) \cap S = A$,
- $\mathcal{D} \subseteq 2^Y$ such that $A \in \mathcal{D}$ if and only if there exists $u \in X_t \setminus S$ such that $N_{G_t}(u) \cap S = A$,
- $\mathcal{B} \subseteq \binom{X_t \setminus Y}{2} \cup ((X_t \setminus Y) \times \{+\})$ such that **(i)** a pair of vertices $\{x, y\} \in \mathcal{B}$ if and only if $N_{G_t}(x) \cap S = N_{G_t}(y) \cap S$, or **(ii)** the pair $\{x, +\} \in \mathcal{B}$ if and only if there is unique $y \in V(G_t) \setminus (S \cup X_t)$ such that $N_{G_t}(x) \cap S = N_{G_t}(y) \cap S$, and
- there are no two vertices $y, z \in V(G_t) \setminus (S \cup X_t)$ such that $N_{G_t}(y) \cap S = N_{G_t}(z) \cap S$.

In short, $\text{opt}[t, (Y, W), (\mathcal{A}, \mathcal{D}), \mathcal{B}]$ denotes the optimal solution size for the DP-state or subproblem $[t, (Y, W), (\mathcal{A}, \mathcal{D}), \mathcal{B}]$. If there is no set $S \subseteq V(G_t)$ satisfying the above properties, then $\text{opt}[t, (Y, W), (\mathcal{A}, \mathcal{D}), \mathcal{B}] = \infty$.

We describe how to use the solution of the smaller subproblems to get the solution to the new subproblem. For the root node $r \in V(T)$, $X_r = \emptyset$. If we compute the values for the following DP-states, i.e. the values $\text{opt}[r, (\emptyset, \emptyset), (\emptyset, \emptyset), \emptyset]$, $\text{opt}[r, (\emptyset, \emptyset), (\{\emptyset\}, \emptyset), \emptyset]$, $\text{opt}[r, (\emptyset, \emptyset), (\emptyset, \{\emptyset\}), \emptyset]$, $\text{opt}[r, (\emptyset, \emptyset), (\{\emptyset\}, \{\emptyset\}), \emptyset]$, then we are done. Precisely, the size of an optimal solution of G is the smallest values from the above mentioned four different values. Before we illustrate our dynamic programming, we give some observations as follows.

► **Observation 7.** *Let $[t, (Y, W), (\mathcal{A}, \mathcal{D}), \mathcal{B}]$ be a DP-state. If $\{x, y\} \in \mathcal{B}$, then either $x, y \in W$ or $x, y \in X_t \setminus (Y \cup W)$.*

Proof. Let the premise of the statement be true and $\{x, y\} \in \mathcal{B}$ and S be an optimal solution to the DP-state $[t, (Y, W), (\mathcal{A}, \mathcal{D}), \mathcal{B}]$. Since $\{x, y\} \in \mathcal{B}$, it follows that $N_{G_t}(y) \cap S = N_{G_t}(x) \cap S$. If $x \in W$ then there is $w \in S \setminus X_t$ such that $x \in N_{G_t}(w) \cap S$. As $N_{G_t}(y) \cap S = N_{G_t}(x) \cap S$, it follows that y is adjacent to w and hence $y \in W$.

On the other hand, if $x \in X_t \setminus (Y \cup W)$, then certainly x is not adjacent to any vertex in $S \setminus X_t$. Either x is adjacent to some vertices of Y or x is not adjacent to any vertex of Y either. If x is adjacent to $w \in Y$, then y is also adjacent to $w \in Y$ and y is not adjacent to any vertex from $S \setminus X_t$. Therefore, $y \in X_t \setminus (Y \cup W)$. Similarly, if x is not adjacent to any vertex in Y , then y also is not adjacent to any vertex in Y . Similarly, both x and y are not adjacent to any vertex of S . Therefore, $y \in X_t \setminus (Y \cup W)$. This completes the proof. ◁

We now describe the methodology to perform dynamic programming over nice tree decomposition.

Leaf node: Let $t \in V(T)$ be a leaf node. Then, $X_t = \emptyset$ and there are four possible subproblems of dynamic programming. These are $\text{opt}[t, (\emptyset, \emptyset), (\emptyset, \emptyset), \emptyset]$, $\text{opt}[t, (\emptyset, \emptyset), (\{\emptyset\}, \emptyset), \emptyset]$, $\text{opt}[t, (\emptyset, \emptyset), (\emptyset, \{\emptyset\}), \emptyset]$, and $\text{opt}[t, (\emptyset, \emptyset), (\{\emptyset\}, \{\emptyset\}), \emptyset]$. It is trivial to follow that \emptyset is the only

23:10 Tight (Double) Exponential Bounds for Identification Problems

possible solution for each of these subproblems (or DP-states). Hence, we have

$$\begin{aligned} \text{opt}[t, (\emptyset, \emptyset), (\emptyset, \emptyset), \emptyset] &= \text{opt}[t, (\emptyset\}, \emptyset), (\{\emptyset\}, \emptyset), \emptyset] = 0, \text{ and} \\ \text{opt}[t, (\emptyset, \emptyset), (\emptyset, \{\emptyset\}), \emptyset] &= \text{opt}[t, (\emptyset, \emptyset), (\{\emptyset\}, \{\emptyset\}), \emptyset] = 0 \end{aligned}$$

The correctness of this state is trivial.

Let t be an introduce/forget node and it has only one child t' . Then, the two DP-states $[t, (Y, W), (\mathcal{A}, \mathcal{D}), \mathcal{B}]$ and $[t', (Y', W'), (\mathcal{A}', \mathcal{D}'), \mathcal{B}']$ are *compatible* if there exists an optimal solution S for G_t satisfying the properties of $[t, (Y, W), (\mathcal{A}, \mathcal{D}), \mathcal{B}]$ such that the vertex subset $S' = S \cap V(G_{t'})$ is an optimal solution satisfying the properties of $[t', (Y', W'), (\mathcal{A}', \mathcal{D}'), \mathcal{B}']$. Similarly, let t be a join node and it has two children t_1 and t_2 . Then, the three DP-states $[t, (Y, W), (\mathcal{A}, \mathcal{D}), \mathcal{B}]$, $[t_1, (Y_1, W_1), (\mathcal{A}_1, \mathcal{D}_1), \mathcal{B}_1]$, and $[t_2, (Y_2, W_2), (\mathcal{A}_2, \mathcal{D}_2), \mathcal{B}_2]$ are compatible among themselves if there are optimal solutions S, S_1 , and S_2 to the DP-states $[t, (Y, W), (\mathcal{A}, \mathcal{D}), \mathcal{B}]$, $[t_1, (Y_1, W_1), (\mathcal{A}_1, \mathcal{D}_1), \mathcal{B}_1]$, and $[t_2, (Y_2, W_2), (\mathcal{A}_2, \mathcal{D}_2), \mathcal{B}_2]$ respectively such that $S_1 = S \cap V(G_{t_1})$ and $S_2 = S \cap V(G_{t_2})$.

Introduce Node Let $t \in V(T)$ be an introduce node such that t' is its unique child, satisfying $X_t = X_{t'} \uplus \{u\}$ for some $u \in X_t \setminus X_{t'}$. Let a subproblem for the node t' be $[t', (Y', W'), (\mathcal{A}', \mathcal{D}'), \mathcal{B}']$ and a subproblem for the node t be $[t, (Y, W), (\mathcal{A}, \mathcal{D}), \mathcal{B}]$. Also, assume that S' is an optimal solution to the subproblem $[t', (Y', W'), (\mathcal{A}', \mathcal{D}'), \mathcal{B}']$. Observe that if $Y \notin \{Y', Y' \cup \{u\}\}$ then the two subproblems are clearly not compatible. Thus, we distinguish two cases, $Y = Y' \cup \{u\}$ or $Y = Y'$. Depending on the two cases, we illustrate how to check whether the subproblem $[t', (Y', W'), (\mathcal{A}', \mathcal{D}'), \mathcal{B}']$ is *compatible* with the subproblem $[t, (Y, W), (\mathcal{A}, \mathcal{D}), \mathcal{B}]$.

Case-(i) Let $Y = Y' \cup \{u\}$: Then it must be that $W_0 = W'_0$ since $N(S \setminus X_t) \cap X_t$ remains unchanged. The following changes are highlighted. Clearly, by the subproblem definitions, if $\text{opt}[t, (Y, W), (\mathcal{A}, \mathcal{D}), \mathcal{B}]$ and $\text{opt}[t', (Y', W'), (\mathcal{A}', \mathcal{D}'), \mathcal{B}']$ are compatible with each other, then it must be that $S = S' \cup \{u\}$ is the optimal solution to the subproblem definition $\text{opt}[t, (Y, W), (\mathcal{A}, \mathcal{D}), \mathcal{B}]$. Consider the sets $\mathcal{A}', \mathcal{D}' \subseteq 2^{Y'}$ and $\mathcal{B}' \subseteq \binom{X_{t'} \setminus Y'}{2} \cup ((X_t \setminus Y) \times \{+\})$. We illustrate how these sets $\mathcal{A}', \mathcal{D}'$, and \mathcal{B}' should be related to the sets \mathcal{A}, \mathcal{D} and \mathcal{B} respectively when $Y = Y' \cup \{u\}$ for the corresponding two DP-states to be compatible with each other.

Let $\hat{A} \in \mathcal{A}'$. Then, there is $w \in V(G_t) \setminus (S' \cup X_t)$ such that $N(w) \cap S' = \hat{A}$. Moreover, $uw \notin E(G)$ since $N_{G_t}(u) \subseteq X_t$. Hence, the same vertex $w \in V(G_t) \setminus (S \cup X_t)$ has the same set of neighbors \hat{A} in G_t . Therefore, $\hat{A} \in \mathcal{A}$. Furthermore, there cannot exist any $v \in V(G_t) \setminus (S \cup X_t)$ such that v is adjacent to u since $N_{G_t}(u) \subseteq X_t$. Hence, it follows that $\mathcal{A} = \mathcal{A}'$.

Let $A' \in \mathcal{D}'$ and u is adjacent to $v \in X_t \setminus Y$ such that $N_{G_{t'}}(v) \cap S' = A'$. Then, $u \in N_{G_t}(v) \cap S$ and $A' \cup \{u\} = N_{G_t}(v) \cap S$. Therefore, it must be that $A = A' \cup \{u\}$ and $A \in \mathcal{D}$ as we have that $N_{G_t}(v) \cap S = A$. Otherwise, if for some $A' \in \mathcal{D}'$, it holds that $A' = N_{G_{t'}}(v) \cap S'$ such that v is not adjacent to u , then A' is also in \mathcal{D} .

Let us consider $\{x, y\} \in \mathcal{B}'$. If u is adjacent to x but not y or u is adjacent to y but not x , then it must be that $\{x, y\} \notin \mathcal{B}$. Otherwise, it must be that both x and y are adjacent to u or none of them adjacent to u . Then, $\{x, y\} \in \mathcal{B}$.

Consider $\{x, +\} \in \mathcal{B}'$. If x is adjacent to u , then it must be that $\{x, +\} \notin \mathcal{B}$ implying that there is no vertex $y \in V(G_t) \setminus (S \cup X_t)$ such that $N_{G_t}(x) \cap S = N_{G_t}(y) \cap S$. On the other hand, if x is not adjacent to u , then $\{x, +\} \in \mathcal{B}$.

Each such subproblem $[t', (Y', W'), (\mathcal{A}', \mathcal{D}'), \mathcal{B}']$ that satisfies the above properties is compatible with the subproblem $[t, (Y, W), (\mathcal{A}, \mathcal{D}), \mathcal{B}]$.

Let \mathcal{C} denote the collection of all the subproblems $[t', (Y', W'), (\mathcal{A}', \mathcal{D}'), \mathcal{B}']$ that are compatible with the subproblem $[t, (Y, W), (\mathcal{A}, \mathcal{D}), \mathcal{B}]$ subject to the criteria that $Y = Y' \cup \{u\}$. We set

$$\text{opt}[t, (Y, W), (\mathcal{A}, \mathcal{D}), \mathcal{B}] = 1 + \min_{\mathcal{C}} \left\{ \text{opt}[t', (Y', W'), (\mathcal{A}', \mathcal{D}'), \mathcal{B}'] \right\}$$

Case-(ii) Let $Y = Y'$. Then $u \notin Y$, and moreover since $N_{G_t}(u) \subseteq X_t$, by definition of W , it is not possible that $u \in W$. Hence $u \notin W$ and therefore, it must be that $u \in X_t \setminus (W \cup Y)$. Then, it must be that $Y = Y'$, $W = W'$, and $S = S'$. Observe that $N_{G_t}(u) \subseteq X_t$ since X_t is an introduce node. Observe that the sets that are in \mathcal{A}' also remain in \mathcal{A} . Moreover, the vertices of $G_t - X_t$ and $G_{t'} - X_{t'}$ are the same. Hence, it must be that $\mathcal{A} = \mathcal{A}'$.

Consider the set \mathcal{D}' . Observe that $N_{G_t}(u) \cap S$ is the only candidate set that can be in \mathcal{D} but not in \mathcal{D}' . But note that $S = S'$, implying that $N_{G_t}(u) \cap S = N_{G_{t'}}(u) \cap S'$. If $N_{G_t}(u) \cap S = \emptyset$, then there is no set that is in $\mathcal{D} \setminus \mathcal{D}'$ and hence $\mathcal{D} = \mathcal{D}'$. Otherwise, $A = N_{G_t}(u) \cap S \neq \emptyset$ and it must be that $\mathcal{D} = \mathcal{D}' \cup \{A\}$.

Finally, consider the sets \mathcal{B}' and \mathcal{B} . Since Y is unchanged, all pairs that are already in \mathcal{B}' must also be in \mathcal{B} . Furthermore, u has no neighbor from $G_t - X_t$. On the contrary, as any $v \in W$ has a neighbor in $S \setminus X_t$, there cannot exist any $v \in W$ such that $N_{G_t}(v) \cap S = N_{G_t}(u) \cap S$. Therefore, if there is $v \in X_t \setminus Y$ such that $\{u, v\} \in \mathcal{B}$, then it must be that $v \in X_t \setminus (Y \cup W)$. Then, if there is $v \in X_t \setminus (Y \cup W)$ such that $N_{G_t}(v) \cap S = N_{G_t}(u) \cap S = N_{G_t}(u) \cap Y$, then add the pair $\{u, v\}$ into \mathcal{B} .

We can check this condition as follows. If $A \in \mathcal{D}$ such that there is $v \in X_t \setminus (Y \cup W)$ satisfying $N_{G_t}(v) \cap Y = A$, then we put $\{u, v\} \in \mathcal{B}$. If $\{v, +\} \in \mathcal{B}'$ and $\{u, v\} \in \mathcal{B}$, then we add $\{u, +\}$ to the set \mathcal{B} . This completes the set of conditions under which the subproblem definition $[t, (Y, W), (\mathcal{A}, \mathcal{D}), \mathcal{B}]$ is compatible with the subproblem $[t', (Y', W'), (\mathcal{A}', \mathcal{D}'), \mathcal{B}']$. Let \mathcal{C} be the collection of such subproblems that are compatible with $[t, (Y, W), (\mathcal{A}, \mathcal{D})]$. We set

$$\text{opt}[t, (Y, W), (\mathcal{A}, \mathcal{D}), \mathcal{B}] = \min_{\mathcal{C}} \left\{ \text{opt}[t', (Y', W'), (\mathcal{A}', \mathcal{D}'), \mathcal{B}'] \right\}$$

Forget Node Let X_t be the parent of $X_{t'}$ such that $X_t \uplus \{u\} = X_{t'}$. Let the subproblem definition for the node t' be $[t', (Y', W'), (\mathcal{A}', \mathcal{D}'), \mathcal{B}']$ and the subproblem definition for the node t be $[t, (Y, W), (\mathcal{A}, \mathcal{D}), \mathcal{B}]$. We illustrate how to check whether the subproblem $[t', (Y', W'), (\mathcal{A}', \mathcal{D}'), \mathcal{B}']$ is compatible with $[t, (Y, W), (\mathcal{A}, \mathcal{D}), \mathcal{B}]$ or not. Observe that the size of the solution remains the same in both states. We only need to properly illustrate how the compatibility of the DP-states can be established. If $Y \notin \{Y', Y' \setminus \{u\}\}$, then the two subproblems are not compatible. Thus, we distinguish two cases, $Y = Y' \setminus \{u\}$ or $Y = Y'$.

Case-(i) Let $Y = Y' \setminus \{u\}$. Since $u \in S \setminus X_t$, it must be that $W = W' \cup (N_{G_{t'}}(u) \cap (X_t \setminus Y))$ in order for the DP-states to be compatible. The next step is to identify how the sets \mathcal{A}' , \mathcal{B}' and \mathcal{D}' are related to the sets \mathcal{A} , \mathcal{B} and \mathcal{D} respectively. If $A' \in \mathcal{A}'$ such that $u \in A'$, then it must be that $A' \notin \mathcal{A}$. In this situation, if it happens that there exists $v \in X_t \setminus Y$ such that $u \in N_{G_t}(v)$, then $v \in W$. Otherwise, if $A' \in \mathcal{A}'$ such that $u \notin A'$, then it follows that $A' \in \mathcal{A}$.

Similarly, if $A' \in \mathcal{D}'$ such that $u \in A'$, then it must be that $A' \notin \mathcal{D}$ for the DP-states to be compatible with each other. On the other hand, if $A' \in \mathcal{D}'$ such that $u \notin A'$, it must be that $A' \in \mathcal{D}$. Finally, we look at pairs $\{x, y\} \in \mathcal{B}'$ and $\{x, +\} \in \mathcal{B}'$. Clearly, if $\{x, y\} \in \mathcal{B}'$, then $N_{G_{t'}}(x) \cap S = N_{G_{t'}}(y) \cap S$ for a candidate solution S to the DP-state $[t', (Y', W'), (\mathcal{A}', \mathcal{D}'), \mathcal{B}']$. Since the candidate solution remains unchanged, it must be that $N_{G_t}(x) \cap S = N_{G_t}(y) \cap S$, implying that $\{x, y\} \in \mathcal{B}$. For a similar reason, if $\{x, +\} \in \mathcal{B}'$, then $\{x, +\} \in \mathcal{B}$. Therefore, $\mathcal{B} = \mathcal{B}'$.

23:12 Tight (Double) Exponential Bounds for Identification Problems

Let \mathcal{C} denote all the subproblems $[t', (Y', W'), (\mathcal{A}', \mathcal{D}'), \mathcal{B}']$ that are compatible with the subproblems $[t, (Y, W), (\mathcal{A}, \mathcal{D}), \mathcal{B}]$. We set

$$\text{opt}[t, (Y, W), (\mathcal{A}, \mathcal{D}), \mathcal{B}] = \min_{\mathcal{C}} \left\{ \text{opt}[t', (Y', W'), (\mathcal{A}', \mathcal{D}'), \mathcal{B}'] \right\}$$

Case-(ii) In this case, $u \notin Y$ but $u \in X_t \setminus Y$. Here, the candidate solution to both DP-states must remain unchanged. If there exists $A \in \mathcal{D}'$ such that $N_{G_{t'}}(u) \cap S = A$, then A must be added to \mathcal{A} . On the other hand, if u is the unique vertex such that $N_{G_{t'}}(u) \cap S = A$, then it must satisfy that $\mathcal{D} = \mathcal{D}' \setminus \{A\}$ and $\mathcal{A} = \mathcal{A}' \cup \{A\}$. Otherwise, every other set $A \in \mathcal{A}'$ must also be in \mathcal{A} . If $\{u, +\} \in \mathcal{B}'$, then the DP-state $[t, (Y, W), (\mathcal{A}, \mathcal{D}), \mathcal{B}]$ is not compatible with the DP-state $[t', (Y', W'), (\mathcal{A}', \mathcal{D}'), \mathcal{B}']$. Therefore, it must be that $\{u, +\} \notin \mathcal{B}'$.

Similarly, if $\{x, u\} \in \mathcal{B}'$ for some $x \in X_t \setminus Y$, then add $\{x, +\}$ into \mathcal{B} . Otherwise, for every $\{x, y\} \in \mathcal{B}'$, it must be that $\{x, y\} \in \mathcal{B}$. Similarly as before, let \mathcal{C} denote the collection of all such tuples that are compatible with $[t, (Y, W), (\mathcal{A}, \mathcal{D}), \mathcal{B}]$. We set

$$\text{opt}[t, (Y, W), (\mathcal{A}, \mathcal{D}), \mathcal{B}] = \min_{\mathcal{C}} \left\{ \text{opt}[t', (Y', W'), (\mathcal{A}', \mathcal{D}'), \mathcal{B}'] \right\}$$

Join Node Let t be a join node with exactly two children t_1 and t_2 satisfying that $X_t = X_{t_1} = X_{t_2}$. Let $[t, (Y, W), (\mathcal{A}, \mathcal{D}), \mathcal{B}]$ denotes the subproblem definition (or DP-state). Consider the subproblems of its children as $[t_1, (Y_1, W_1), (\mathcal{A}_1, \mathcal{D}_1), \mathcal{B}_1]$ and $[t_2, (Y_2, W_2), (\mathcal{A}_2, \mathcal{D}_2), \mathcal{B}_2]$. Since $X_{t_1} = X_{t_2} = X_t$, the first and foremost conditions for them to be compatible are $Y = Y_1 = Y_2$, and $W = W_1 \cup W_2$. Let S_1 and S_2 be the candidate solutions for the subproblems $[t_1, (Y_1, W_1), (\mathcal{A}_1, \mathcal{D}_1), \mathcal{B}_1]$ and $[t_2, (Y_2, W_2), (\mathcal{A}_2, \mathcal{D}_2), \mathcal{B}_2]$ respectively. We illustrate how to check whether these three subproblems are compatible with each other.

Case-(i) Let $A \in \mathcal{A}_1 \cap \mathcal{A}_2$. We claim that if the subproblems $[t, (Y, W), (\mathcal{A}, \mathcal{D}), \mathcal{B}]$, $[t_1, (Y_1, W_1), (\mathcal{A}_1, \mathcal{D}_1), \mathcal{B}_1]$ and $[t_2, (Y_2, W_2), (\mathcal{A}_2, \mathcal{D}_2), \mathcal{B}_2]$ are compatible with each other, then $\mathcal{A} = \mathcal{A}_1 \cup \mathcal{A}_2$ and $\mathcal{A}_1 \cap \mathcal{A}_2 = \emptyset$. Observe that there must exist $u \in G_{t_1} - (S_1 \cup X_{t_1})$ such that $N_{G_{t_1}}(u) \cap S_1 = A$, and $v \in G_{t_2} - (S_2 \cup X_{t_2})$ such that $N_{G_{t_2}}(v) \cap S_2 = A$ satisfying that u and v are different vertices. Then, we say that the DP-states $[t_1, (Y_1, W_1), (\mathcal{A}_1, \mathcal{D}_1), \mathcal{B}_1]$ and $[t_2, (Y_2, W_2), (\mathcal{A}_2, \mathcal{D}_2), \mathcal{B}_2]$ are not compatible to each other. Therefore, it follows that $\mathcal{A}_1 \cap \mathcal{A}_2 = \emptyset$. Finally, it must be that $\mathcal{A} = \mathcal{A}_1 \cup \mathcal{A}_2$.

Case-(ii) Consider the sets \mathcal{B}_1 and \mathcal{B}_2 . If $\{x, y\} \in \mathcal{B}_1$, then due to Observation 7, either both $x, y \in W_1$ or both $x, y \in X_{t_1} \setminus (Y_1 \cup W_1)$. Similarly, if $\{x, y\} \in \mathcal{B}_2$, then either both $x, y \in W_2$ or both $x, y \in X_{t_2} \setminus (Y_2 \cup W_2)$. Furthermore, if $\{x, y\} \in \mathcal{B}$, then either $x, y \in W$ or $x, y \in X_t \setminus (Y \cup W)$. Suppose that $\{x, y\} \in \mathcal{B}_1 \setminus \mathcal{B}_2$. Then, observe that the neighbors of x and y in the potential solution S in G_{t_2} (and thus in G_t) are different. Hence, $\{x, y\} \notin \mathcal{B}$. By symmetry, if $\{x, y\} \in \mathcal{B}_2 \setminus \mathcal{B}_1$, then also $\{x, y\} \notin \mathcal{B}$. Hence, we consider the pairs $\{x, y\} \in \mathcal{B}_1 \cap \mathcal{B}_2$. We have the following subcases to justify that since x, y are not located in either of the two graphs G_{t_1} and G_{t_2} , none of these two vertices are located in G_t . The first subcase is when $x, y \in X_{t_1} \setminus (Y_1 \cup W_1)$ and $x, y \in X_{t_2} \setminus (Y_2 \cup W_2)$. Then, observe that the neighbors of x and y in the sets S_1 and in the sets S_2 are precisely the same. Therefore, $\{x, y\} \in \mathcal{B}$. The next subcase is when $x, y \in X_{t_1} \setminus (Y_1 \cup W_1)$ and $x, y \in W_2$. In this case here also, observe that the neighbors of x and y in the sets S_1 as well as in the sets S_2 are precisely the same. Hence, the neighbors of x and y in the set S are the same. Therefore, $\{x, y\} \in \mathcal{B}$. By similar arguments, for the other two subcases, i.e. (i) $x, y \in X_{t_2} \setminus (Y_2 \cup W_2)$ and $x, y \in W_1$ or (ii) $x, y \in W_1$ and $x, y \in W_2$, we can argue in a similar way that $\{x, y\} \in \mathcal{B}$. Conversely, if $\{x, y\} \in \mathcal{B}$, then it can be argued in a similar way that $\{x, y\} \in \mathcal{B}_1 \cap \mathcal{B}_2$.

We consider next $\{x, +\} \in \mathcal{B}_1$ such that $x \in W_1$. There is a vertex in $S_1 \setminus X_{t_1}$ that is adjacent to x . Similarly, if $\{x, +\} \in \mathcal{B}_2$ such that $x \in W_2$, then there is a vertex in $S_2 \setminus X_{t_2}$ that is adjacent to x . In such a case, observe that there cannot exist any vertex y that is in $G_t \setminus X_t$ such that $N_{G_t}(x) = N_{G_t}(y)$. Hence, $\{x, +\} \notin \mathcal{B}_1$. Therefore, if $x \in W_1 \cap W_2$ such that $\{x, +\} \in \mathcal{B}_1 \cap \mathcal{B}_2$, then $\{x, +\} \notin \mathcal{B}$.

The next case is when $x \in W_1 \setminus W_2$ and $\{x, +\} \in \mathcal{B}_1$. (The case of $x \in W_2 \setminus W_1$ is symmetric.) The first subcase arises when $\{x, +\} \in \mathcal{B}_2$. Since $x \notin W_2$, the neighbors of x in G_{t_2} are contained in Y_2 . Then, observe that there is y_1 in $G_{t_1} \setminus (S_1 \cup X_{t_1})$ whose neighbors in S_1 are the same as those of x . Similarly, there is y_2 in $G_{t_2} \setminus (S_2 \cup X_{t_2})$ whose neighbors in S_2 are the same as those of x . Next, we observe that in G_t , the neighbors of x in S are the same as the neighbors of y_1 in S but not y_2 . Therefore, $\{x, +\} \in \mathcal{B}$. On the other hand, if $\{x, +\} \notin \mathcal{B}_2$, then a similar argument applies and $\{x, +\} \in \mathcal{B}$.

Finally, we consider the case when $\{x, +\} \in \mathcal{B}_1$ and $x \notin W_1 \cup W_2$. In such a case, if $\{x, +\} \in \mathcal{B}_2$, then there are two vertices $y_1 \in G_{t_1} \setminus (S_1 \cup X_{t_1})$ and $y_2 \in G_{t_2} \setminus (S_2 \cup X_{t_2})$ such that the neighbors in $S_1 \cup S_2$ of y_1 and y_2 are the same. But, neither y_1 nor y_2 is in the set X_t . Therefore, if $x \notin W_1 \cup W_2$ and $\{x, +\} \in \mathcal{B}_1 \cap \mathcal{B}_2$, then this makes the respective DP-states incompatible with each other, as y_1 and y_2 cannot be located.

Case-(iii) Let us now consider the sets \mathcal{D}_1 and \mathcal{D}_2 . If $A \in \mathcal{D}$, then by definition there is $u \in X_t \setminus S$ such that $N_{G_t}(u) \cap S = A$. Then, it must be that $u \in X_{t_1} \setminus S_1$ and $u \in X_{t_2} \setminus S_2$ such that the neighborhoods of u in G_{t_1} and G_{t_2} contained in the respective solutions, are A_1 and A_2 , respectively. Therefore, $A_1 = A_2 = A$. Hence, $A \in \mathcal{D}_1 \cap \mathcal{D}_2$. For the converse, let $A \in \mathcal{D}_1 \cap \mathcal{D}_2$. Then, there exists $u \in (X_{t_1} \setminus S_1) \cap (X_{t_2} \setminus S_2)$ such that the neighborhoods of u in G_{t_1} and G_{t_2} in the respective solution are A . Therefore, $A \in \mathcal{D}$ concluding that $\mathcal{D} = \mathcal{D}_1 \cap \mathcal{D}_2$ for the three DP-states to be compatible to each other.

Let \mathcal{C} denote the collection of all such triplets that are compatible to each other. Recall that $[t, (Y, W), (\mathcal{A}, \mathcal{D}), \mathcal{B}]$ denote the subproblem definition of the node t with the subproblems of its children are $[t_1, (Y_1, W_1), (\mathcal{A}_1, \mathcal{D}_1), \mathcal{B}_1]$ and $[t_2, (Y_2, W_2), (\mathcal{A}_2, \mathcal{D}_2), \mathcal{B}_2]$. Let S_1 be an optimal solution to the DP-state $[t_1, (Y_1, W_1), (\mathcal{A}_1, \mathcal{D}_1), \mathcal{B}_1]$ and S_2 be an optimal solution to the DP-state $[t_2, (Y_2, W_2), (\mathcal{A}_2, \mathcal{D}_2), \mathcal{B}_2]$. Since $Y_1 = Y_2$ and $W_1 \cup W_2$ are two essential requirements for these three states to be compatible triplets, note that $S = S_1 \cup S_2$ is a solution to the DP-state $[t, (Y, W), (\mathcal{A}, \mathcal{D}), \mathcal{B}]$. Thus, the following can be concluded:

$$\begin{aligned} & \text{opt}[t, (Y, W), (\mathcal{A}, \mathcal{D}), \mathcal{B}] \\ &= \min_{\mathcal{C}} \left\{ \text{opt}[t_1, (Y_1, W_1), (\mathcal{A}_1, \mathcal{D}_1), \mathcal{B}_1] + \text{opt}[t_2, (Y_2, W_2), (\mathcal{A}_2, \mathcal{D}_2), \mathcal{B}_2] - |Y| \right\} \end{aligned}$$

Running time We are yet to justify the running time to compute these DP-states. By definition, $|X_t| \leq 2\text{tw} + 1$ for every node t of the tree decomposition. Hence, observe that there are $2^{\mathcal{O}(\text{tw})}$ distinct choices of Y and $2^{\mathcal{O}(\text{tw})}$ choices of W . After that, there are $2^{2^{|Y|}}$ distinct choices of \mathcal{A} and \mathcal{D} respectively. Finally, for each of them there are $2^{\binom{Y}{2}}$ many choices of \mathcal{B} . Since $|Y| \leq |X_t| \leq 2\text{tw}$, the total number of possible DP-states is $2^{\mathcal{O}(\text{tw})} \cdot 2^{2^{\mathcal{O}(\text{tw})}} \cdot 2^{\mathcal{O}(\text{tw}^2)}$. For the sake of simplicity, let $d = 2^{\mathcal{O}(\text{tw})} \cdot 2^{2^{\mathcal{O}(\text{tw})}} \cdot 2^{\mathcal{O}(\text{tw}^2)}$. Also note that we can check the compatibility between every pair or triplets of DP-states in at most $\mathcal{O}(d^3)$ time. Hence, the total time taken for this procedure is $\mathcal{O}(d^3)$ -time. Therefore, computing the values of each of the DP-states can be performed in $2^{2^{\mathcal{O}(\text{tw})}} \cdot n^{\mathcal{O}(1)}$ -time.

3.2 Lower Bound

In this subsection, we prove the lower bound mentioned in Theorem 1, i.e., LOCATING-DOMINATING SET does not admit an algorithm running in time $2^{2^{o(\text{tw})}} \cdot |V(G)|^{\mathcal{O}(1)}$, unless the ETH fails.

To prove the above theorem, we present a reduction from a variant of 3-SAT called (3,3)-SAT. In this variation, an input is a boolean satisfiability formula ψ in conjunctive normal form such that each clause contains *at most*⁴ 3 variables, and each variable appears at most 3 times. Consider the following reduction from an instance ϕ of 3-SAT with n variables and m clauses to an instance ψ of (3,3)-SAT mentioned in [67]: For every variable x_i that appears $k > 3$ times, the reduction creates k many new variables $x_i^1, x_i^2, \dots, x_i^k$, replaces the j^{th} occurrence of x_i by x_i^j , and adds the series of new clauses to encode $x_i^1 \Rightarrow x_i^2 \Rightarrow \dots \Rightarrow x_i^k \Rightarrow x_i^1$. For an instance ψ of 3-SAT, suppose k_i denotes the number of times a variable x_i appeared in ϕ . Then, $\sum_{i \in [n]} k_i \leq 3 \cdot m$. Hence, the reduced instance ψ of (3,3)-SAT has at most $3m$ variables and $4m$ clauses. Using the ETH [41] and the sparcification lemma [42], we have the following result.

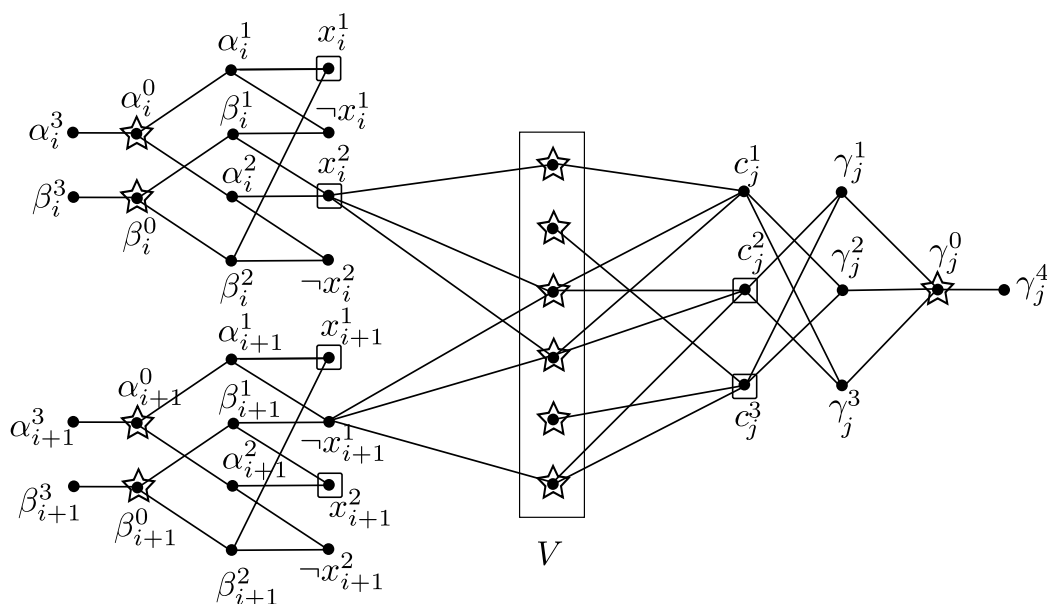
► **Proposition 8.** *(3,3)-SAT, with n variables and m clauses, does not admit an algorithm running in time $2^{o(m+n)}$, unless the ETH fails.*

We highlight that every variable appears positively and negatively at least once. Otherwise, if a variable appears only positively (respectively, only negatively) then we can assign it **True** (respectively, **False**) and safely reduce the instance by removing the clauses containing this variable. Hence, instead of the first, second, or third appearance of the variable, we use the first positive, first negative, second positive, or second negative appearance of the variable.

Reduction The reduction takes as input an instance ψ of (3,3)-SAT with n variables and outputs an instance (G, k) of LOCATING-DOMINATING SET such that $\text{tw}(G) = \mathcal{O}(\log(n))$. Suppose $X = \{x_1, \dots, x_n\}$ is the collection of variables and $C = \{C_1, \dots, C_m\}$ is the collection of clauses in ψ . Here, we consider $\langle x_1, \dots, x_n \rangle$ and $\langle C_1, \dots, C_m \rangle$ be arbitrary but fixed orderings of variables and clauses in ψ . For a particular clause, the first order specifies the first, second, or third (if it exists) variable in the clause in a natural way. The second ordering specifies the first/second positive/negative appearance of variables in X in a natural way. The reduction constructs a graph G as follows.

- To construct a variable gadget for x_i , it starts with two claws $\{\alpha_i^0, \alpha_i^1, \alpha_i^2, \alpha_i^3\}$ and $\{\beta_i^0, \beta_i^1, \beta_i^2, \beta_i^3\}$ centered at α_i^0 and β_i^0 , respectively. It then adds four vertices $x_i^1, \neg x_i^1, x_i^2, \neg x_i^2$, and the corresponding edges, as shown in Figure 1. Let A_i be the collection of these twelve vertices and $A = \bigcup_{i=1}^n A_i$. Define $X_i := \{x_i^1, \neg x_i^1, x_i^2, \neg x_i^2\}$.
- To construct a clause gadget for C_j , the reduction starts with a star graph centered at γ_j^0 and with four leaves $\{\gamma_j^1, \gamma_j^2, \gamma_j^3, \gamma_j^4\}$. It then adds three vertices c_j^1, c_j^2, c_j^3 and the corresponding edges shown in Figure 1. Let B_j be the collection of these eight vertices and define $B = \bigcup_{j=1}^m B_j$.
- Let p be the smallest positive integer such that $4n \leq \binom{2p}{p}$. Define \mathcal{F}_p as the collection of subsets of $[2p]$ that contains exactly p integers (such a collection \mathcal{F}_p is called a *Sperner family*). Define **set-rep** : $\bigcup_{i=1}^n X_i \rightarrow \mathcal{F}_p$ as an injective function by arbitrarily assigning

⁴ We remark that if each clause contains *exactly* 3 variables, and each variable appears 3 times, then the problem is polynomial-time solvable [67, Theorem 2.4]



■ **Figure 1** Illustration of the reduction used in Subsection 3.2. For the sake of clarity, we do not explicitly show the pendant vertices adjacent to vertices in V . The variable and clause gadgets are on the left-side and right-side of V , respectively. In this example, we consider a clause $C_j = x_i \vee \neg x_{i+1} \vee x_{i+2}$. Moreover, suppose this is the second positive appearance of x_i and the first negative appearance of x_{i+1} , and x_i corresponds to c_j^1 and x_{i+1} corresponds to c_j^2 . Suppose V contains 6 vertices indexed from top to bottom, and the set corresponding to these two appearances are $\{1, 3, 4\}$ and $\{3, 4, 6\}$ respectively. The star boundary denote the vertices that we can assume to be in any locating-dominating set, without loss of generality. The square boundary corresponds to selection of other vertices in S . In the above example, it corresponds to setting both x_i and x_{i+1} to **True**. On the clause side, the selection corresponds to selecting x_i to satisfy the clause C_j .

a set in \mathcal{F}_p to a vertex x_i^ℓ or $\neg x_i^\ell$, for every $i \in [n]$ and $\ell \in [2]$. In other words, every appearance of a literal is assigned a distinct subset in \mathcal{F}_p .

- The reduction adds a *connection portal* V , which is a clique on $2p$ vertices v_1, v_2, \dots, v_{2p} . For every vertex v_q in V , the reduction adds a pendant vertex u_q adjacent to v_q .
- For each vertex $x_i^\ell \in X$ where $i \in [n]$ and $\ell \in [2]$, the reduction adds edges (x_i^ℓ, v_q) for every $q \in \text{set-rep}(x_i^\ell)$. Similarly, it adds edges $(\neg x_i^\ell, v_q)$ for every $q \in \text{set-rep}(\neg x_i^\ell)$.
- For a clause C_j , suppose variable x_i appears positively for the ℓ^{th} time as the r^{th} variable in C_j . For example, x_i appears positively for the second time as the third variable in C_j . Then, the reduction adds edges across B and V such that the vertices c_j^r and x_i^ℓ have the same neighbourhood in V , namely, the set $\{v_q : q \in \text{set-rep}(x_i^\ell)\}$. Similarly, it adds edges for the negative appearance of the variables.

This concludes the construction of G . The reduction sets $k = 4n + 3m + 2p$ and returns (G, k) as the reduced instance of **LOCATING-DOMINATING SET**.

We now provide an overview of the proof of correctness in the reverse direction. The crux of the correctness is: Without loss of generality, all the vertices in the connection portal V are present any locating-dominating set S of G . Consider a vertex, say x_i^1 , on ‘variable-side’ of S and a vertex, say c_j^1 , on ‘clause-side’ of S . If both of these vertices have the same neighbors in the connection portal and are not adjacent to the vertices in $S \setminus V$, then at least one of x_i^1 or c_j^1 must be included in S .

23:16 Tight (Double) Exponential Bounds for Identification Problems

More formally, suppose S is a locating-dominating set of G of size at most $k = 4n + 3m + 2p$. Then, we prove that S must have exactly 4 vertices from each variable gadget and exactly 3 vertices from each clause gadget. Further, S contains either $\{\alpha_0^i, \beta_0^i, x_i^1, x_i^2\}$ or $\{\alpha_0^i, \beta_0^i, \neg x_i^1, \neg x_i^2\}$, but no other combination of vertices in the variable gadget corresponding to x_i . For a clause gadget corresponding to C_j , S contains either $\{\gamma_j^0, c_j^2, c_j^3\}$, $\{\gamma_j^0, c_j^1, c_j^3\}$, or $\{\gamma_j^0, c_j^1, c_j^2\}$, but no other combination. These choices imply that c_j^1 , c_j^2 , or c_j^3 are not adjacent to any vertex in $S \setminus V$. Consider the first case and suppose c_j^1 corresponds to the second positive appearance of variable x_i . By the construction, the neighborhoods of x_i^2 and c_j^1 in V are identical. This forces a selection of $\{\alpha_0^i, \beta_0^i, x_i^1, x_i^2\}$ in S from the variable gadget corresponding to x_i , which corresponding to setting x_i to **True**. Hence, a locating dominating set S of size at most k implies a satisfying assignment of ψ . We formalize these intuitions in the following lemmas.

► **Lemma 9.** *If ψ be a YES-instance of (3,3)-SAT, then (G, k) is a YES-instance of LOCATING-DOMINATING SET.*

Proof. Suppose $\pi : X \mapsto \{\text{True}, \text{False}\}$ be a satisfying assignment of ψ . We construct a vertex subset S of G from the satisfying assignment on ϕ in the following manner: Initialize S by adding all the vertices in V . For variable x_i , if $\pi(x_i) = \text{True}$, then include $\{\alpha_0^i, \beta_0^i, x_i^1, x_i^2\}$ in S otherwise include $\{\alpha_0^i, \beta_0^i, \neg x_i^1, \neg x_i^2\}$ in S . For any clause C_j , if its first variable is set to **True** then include $\{\gamma_j^0, c_j^2, c_j^3\}$ in S , if its second variable is set to **True** then include $\{\gamma_j^0, c_j^1, c_j^3\}$ in S , otherwise include $\{\gamma_j^0, c_j^1, c_j^2\}$ in S . If more than one variable of a clause C_j is set to **True**, we include the vertices corresponding to the smallest indexed variable set to **True**. This concludes the construction of S .

It is easy to verify that $|S| = 4n + 3m + 2p = k$. In the remaining section, we argue that S is a locating-dominating set of G . To do so, we first show that S is a dominating set of G . Notice that $V \subseteq S$ dominates the pendant vertices u_q for all $q \in [2p]$ and all the vertices of the form x_i^ℓ for any $i \in [n]$ and $\ell \in [2]$, and c_j^r for any $j \in [m]$ and $r \in [3]$. Moreover, the vertices α_0^i, β_0^i and γ_0^i dominate the sets $\{\alpha_i^1, \alpha_i^2, \alpha_i^3\}$, $\{\beta_i^1, \beta_i^2, \beta_i^3\}$ and $\{\gamma_j^1, \gamma_j^2, \gamma_j^3, \gamma_j^4\}$, respectively. This proves that S is a dominating set of G .

We now show that S is also a locating set of G . To begin with, we notice that, for $p \geq 2$, all the pendant vertices u_q for $q \in [2p]$ are located from every other vertex in G by the fact that $|N_G(u) \cap S| = 1$. Next, we divide the analysis of S being a locating set of G into the following three cases.

First, *consider the vertices within A_i s.* Each x_i^ℓ or $\neg x_i^\ell$ for any literal $x_i \in X$ and $\ell \in [2]$ have a distinct neighborhood in V ; hence, they are all pairwise located. For any $i \neq i' \in [n]$ and $\ell \neq \ell' \in [2]$, the pair $(\alpha_i^\ell, \beta_{i'}^{\ell'})$ is located by α_i^0 . Moreover, the pair $(\alpha_i^\ell, \alpha_{i'}^{\ell'})$, for all $i \in [n]$, $\ell \neq \ell' \in [2]$ are located by either $\{x_i^1, x_i^2\}$ or $\{\neg x_i^1, \neg x_i^2\}$, one of which is a subset of S .

Second, *consider the vertices within B_j s.* The set of vertices in $\{\gamma_j^0, \gamma_j^1, \gamma_j^2, \gamma_j^3, \gamma_j^4\}$ are pairwise located by three vertices in the set included in S . One of this vertex is γ_j^0 and the other two are from $\{c_j^1, c_j^2, c_j^3\}$. For the one vertex in the above set which is not located by the vertices in S in the clause gadget, is located by its neighborhood in V . Finally, any two vertices of the form c_j^r and $c_{j'}^{r'}$ that are not located by corresponding clause vertices in S are located from one another by the fact they are associated with two different variables or two different appearances of the same variable, and hence by construction, their neighbourhood in V is different.

Third, *consider the remaining vertices in clause gadget and variable gadget.* Note that the only vertices in clause gadgets that we need to argue about are the vertices not adjacent with S . Suppose, let c_j^r not included in S for some $j \in [m]$ and $r \in [3]$. Also, suppose c_j^r

corresponds to ℓ^{th} appearance of variable x_i . By the construction, c_j^r corresponds to the lowest index variable in C_j that is set to **True**. Hence, if x_i appears positively then x_i^ℓ is in S whereas if it appears negatively, then $\neg x_i^\ell$ is in S . This implies that all the remaining vertices in variable and clause gadgets are located.

This proves that S is a locating set of G and, thus, the lemma. \blacktriangleleft

► **Lemma 10.** *If (G, k) is a YES-instance of LOCATING-DOMINATING SET, then ψ be a YES-instance of (3, 3)-SAT.*

Proof. Suppose S is a locating-dominating set of G of size $k = 4n + 3m + 2p$. Recall that every vertex v in the connection portal V is adjacent to a pendant vertex. Hence, by Observation 4, it is safe to assume that S contains V . This implies $|S \setminus V| = 4n + 3m$. Using similar observation, it is safe to assume that α_i^0, β_i^0 and γ_j^0 are in S for every $i \in [n]$ and $j \in [m]$. As α_i^3 is adjacent with only α_i^0 in S , set $S \setminus \{\alpha_i^0, \beta_i^0\}$ contains at least one vertex in the closed the neighborhood of α_i^1 and one from the closed neighbourhood of α_i^2 . By the construction, these two sets are disjoint. Hence, set S contains at least four vertices from variable gadget corresponding to every variable x_i in X . Using similar arguments, S has at least three vertices from clause gadget corresponding to C_j for every clause in C . The cardinality constraints mentioned above, implies that S contains exactly four vertices from each variable gadget and exactly three vertices from each clause gadget. Using this observation, we prove the following two claims.

▷ **Claim 11.** Without loss of generality, for the variable gadget corresponding to variable x_i , S contains either $\{\alpha_i^0, \beta_i^0, x_i^1, x_i^2\}$ or $\{\alpha_i^0, \beta_i^0, \neg x_i^1, \neg x_i^2\}$.

Proof. Note that S is a locating-dominating set of G such that $|S \cap A_i| = 4$. Let $X_i = \{x_i^1, x_i^2\}$ and $\neg X_i = \{\neg x_i^1, \neg x_i^2\}$. We prove that S contains exactly one of X_i and $\neg X_i$. First, we show that $|(S \cap A_i) \setminus \{\alpha_i^0, \alpha_i^3, \beta_i^0, \beta_i^3\}| = 2$. Define $R_i^1 = \{\alpha_i^1, x_i^1, \neg x_i^1\}$, $R_i^2 = \{\alpha_i^2, x_i^2, \neg x_i^2\}$, $G_i^1 = \{\beta_i^1, \neg x_i^1, x_i^2\}$, and $G_i^2 = \{\beta_i^2, \neg x_i^2, x_i^1\}$. Note that sets R_i^1 and R_i^2 (respectively, G_i^1 and G_i^2) are disjoint. Also, $(R_i^1 \cap G_i^2) \cup (R_i^2 \cap G_i^1) = \{x_i^1, x_i^2\}$ and $(R_i^1 \cap G_i^1) \cup (R_i^2 \cap G_i^2) = \{\neg x_i^1, \neg x_i^2\}$. To distinguish the vertices in pairs (α_i^1, α_i^2) , (α_i^1, α_i^3) and (α_i^2, α_i^3) , the set S must contain at least one vertex from each R_i^1 and R_i^2 or at least one vertex from each B_i^1 and B_i^2 . Similarly, to distinguish the vertices in pairs (β_i^1, β_i^2) , (β_i^1, β_i^3) and (β_i^2, β_i^3) , the set S must contain at least one vertex from each R_i^1 and R_i^2 or at least one vertex from each B_i^1 and B_i^2 . As both of these conditions need to hold simultaneously, S contains either X_i or $\neg X_i$. \blacktriangleleft

▷ **Claim 12.** Without loss of generality, for the clause gadget corresponding to clause C_j , S contains either $\{\gamma_i^0, c_i^2, c_i^3\}$ or $\{\gamma_i^0, c_i^1, c_i^3\}$ or $\{\gamma_i^0, c_i^1, c_i^2\}$.

Proof. Note that S is a dominating set that contains 3 vertices corresponding to the clause gadget corresponding to every clause in C . Moreover, c_j^1, c_j^2, c_j^3 separate the vertices in the remaining clause gadget from the set of the graph. Also, as mentioned before, without loss of generality, C contains γ_j^0 . We define $C_j^* = \{c_j^1, c_j^2, c_j^3\}$ and prove that S contains exactly two vertices from this set. Assume, $S \cap C_j^* = \emptyset$, then S needs to include all the three vertices $\gamma_j^1, \gamma_j^2, \gamma_j^3$ to locate every pair of vertices in the clause gadget. This, however, contradicts the cardinality constraints. Assume, $|S \cap C_j^*| = 1$ and without loss of generality, suppose $S \cap C_j^* = \{c_j^2\}$. If $S \cap \{\gamma_j^1, \gamma_j^2, \gamma_j^3\} = \gamma_j^2$, then the pair (γ_j^1, γ_j^3) is not located by S , a contradiction. Now suppose $S \cap \{\gamma_j^1, \gamma_j^2, \gamma_j^3\} = \gamma_j^1$, then the pair (γ_j^2, γ_j^3) is not located by S , again a contradiction. The similar argument holds for other cases. As both cases, this leads to contradictions, we have $|S \cap C_j^*| = 2$. \blacktriangleleft

23:18 Tight (Double) Exponential Bounds for Identification Problems

Using these properties of S , we present a way to construct an assignment π for ϕ . If S contains $\{\alpha_i^0, \beta_i^0, x_i^1, x_i^2\}$, then set $\pi(x_i) = \mathbf{True}$, otherwise set $\pi(x_i) = \mathbf{False}$. The first claim ensures that this is a valid assignment. We now prove that this assignment is also a satisfying assignment. The second claim implies that for any clause gadget corresponding to clause C_j , there is exactly one vertex *not* adjacent with any vertex in $S \cap B_j$. Suppose c_j^r be such a vertex and it is the ℓ^{th} positive appearance of variable x_i . Since x_i^ℓ and c_j^r have identical neighbourhood in V , and S is a locating-dominating set in G , S contains x_i^ℓ , and hence $\pi(x_i) = \mathbf{True}$. A similar reason holds when x_i appears negatively. Hence, every vertex in the clause gadget is not dominated by vertices of S in the clause gadget corresponds to the variable set to \mathbf{True} that makes the clause satisfied. This implies π is a satisfying assignment of ϕ which concludes the proof of the lemma. ◀

Proof of Theorem 1. Assume there is an algorithm \mathcal{A} that, given an instance (G, k) of LOCATING-DOMINATING SET, runs in time $2^{2^{\text{tw}}}$ · $n^{\mathcal{O}(1)}$ and correctly determines whether it is YES-instance. Consider the following algorithm that takes as input an instance ϕ of (3, 3)-SAT and determines whether it is a YES-instance. It first constructs an equivalent instance (G, k) of LOCATING-DOMINATING SET as mentioned in this subsection. Then, it calls algorithm \mathcal{A} as a subroutine and returns the same answer. The correctness of this algorithm follows from the correctness of algorithm \mathcal{A} , Lemma 9 and Lemma 10. Note that since each component of $G - V$ is of constant order, the tree-width of G is $\mathcal{O}(|V|)$. By the asymptotic estimation of the central binomial coefficient, $\binom{2p}{p} \sim \frac{4^p}{\sqrt{\pi \cdot p}}$ [40]. To get the upper bound of $2p$, we scale down the asymptotic function and have $4n \leq \frac{4^p}{2^p} = 2^p$. Thus, $p = \mathcal{O}(\log(n))$. And hence, $|V| = \mathcal{O}(\log(n))$ which implies $\text{tw}(G) = \mathcal{O}(\log n)$. As the other steps, including the construction of the instance of LOCATING-DOMINATING SET, can be performed in the polynomial step, the running time of the algorithm for (3, 3)-SAT is $2^{2^{\mathcal{O}(\log(n))}}$ · $n^{\mathcal{O}(1)} = 2^{\mathcal{O}(n)}$ · $n^{\mathcal{O}(1)}$. This, however, contradicts Proposition 8. Hence, our assumption is wrong, and LOCATING-DOMINATING SET does not admit an algorithm running in time $2^{2^{\mathcal{O}(\text{tw})}}$ · $|V(G)|^{\mathcal{O}(1)}$, unless the ETH fails. ◀

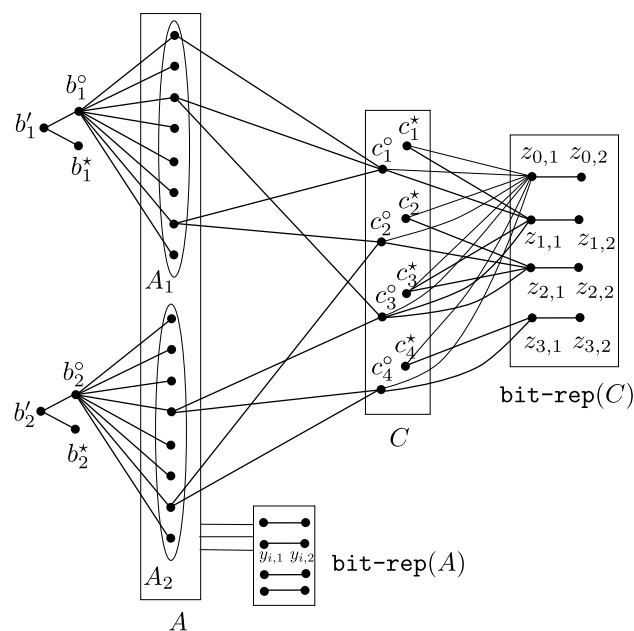
4 Locating-Dominating Set Parameterized by the Solution Size

In this section, we study the parameterized complexity of LOCATING-DOMINATING SET when parameterized by the solution size k . In the first subsection, we formally prove that the problem admits a kernel with $\mathcal{O}(2^k)$ vertices, and hence a simple FPT algorithm running in time $2^{\mathcal{O}(k^2)}$. In the second subsection, we prove that both results mentioned above are optimal under the ETH.

4.1 Upper bound

► **Proposition 13.** *LOCATING-DOMINATING SET admits a kernel with $\mathcal{O}(2^k)$ vertices and an algorithm running in time $2^{\mathcal{O}(k^2)} + \mathcal{O}(k \log n)$.*

Proof. Slater proved that for any graph G on n vertices with a locating-dominating set of size k , we have $n \leq 2^k + k - 1$ [64]. Hence, if $n > 2^k + k - 1$, we can return a trivial NO instance (this check takes time $\mathcal{O}(k \log n)$). Otherwise, we have a kernel with $\mathcal{O}(2^k)$ vertices. In this case, we can enumerate all subsets of vertices of size k , and for each of them, check in quadratic time if it is a valid solution. Overall, this takes time $\binom{n}{k} n^2$; since $n \leq 2^k + k - 1$, this is $\binom{2^{\mathcal{O}(k)}}{k} \cdot 2^{\mathcal{O}(k)}$, which is $2^{\mathcal{O}(k^2)}$. ◀



■ **Figure 2** An illustrative example of the graph constructed by the reduction used in Section 4.2. Suppose an instance ψ of 3-SAT has $n = 9$ variables and 4 clauses. We do not show the third variable bucket and explicit edges across A and $\text{bit-rep}(A)$ for brevity.

4.2 Lower Bound

In this section, we prove Theorem 2 which we restate.

► **Theorem 2.** *Unless the ETH fails, LOCATING-DOMINATING SET, parameterized by the solution size k , does not admit*

- an algorithm running in time $2^{o(k^2)} \cdot n^{\mathcal{O}(1)}$, nor
- a polynomial time kernelization algorithm that reduces the solution size and outputs a kernel with $2^{o(k)}$ vertices.

Reduction To prove the theorem, we present a reduction that takes as input an instance ψ , with n variables, of 3-SAT and returns an instance (G, k) of LOCATING-DOMINATING SET such that $|V(G)| = 2^{\mathcal{O}(\sqrt{n})}$ and $k = \mathcal{O}(\sqrt{n})$. By adding dummy variables in each set, we can assume that \sqrt{n} is an even integer. Suppose the variables are named $x_{i,j}$ for $i, j \in [\sqrt{n}]$. The reduction constructs graph G as follows:

- It partitions the variables of ψ into \sqrt{n} many buckets $X_1, X_2, \dots, X_{\sqrt{n}}$ such that each bucket contains exactly \sqrt{n} many variables. Let $X_i = \{x_{i,j} \mid j \in [\sqrt{n}]\}$ for all $i \in [\sqrt{n}]$.
 - For every X_i , it constructs set A_i of $2^{\sqrt{n}}$ new vertices, $A_i = \{a_{i,\ell} \mid \ell \in [2^{\sqrt{n}}]\}$. Each vertex in A_i corresponds to a unique assignment of variables in X_i . Let A be the collection of all the vertices added in this step.
 - For every X_i , the reduction adds a path on three vertices $b_i^o, b_i',$ and b_i^* with edges (b_i^o, b_i') and (b_i', b_i^*) . Suppose B is the collection of all the vertices added in this step.
 - For every X_i , it makes b_i^o adjacent with every vertex in A_i .

23:20 Tight (Double) Exponential Bounds for Identification Problems

- For every clause C_j , the reduction adds a pair of vertices c_j°, c_j^* . For a vertex $a_{i,\ell} \in A_i$ for some $i \in [\sqrt{n}]$, and $\ell \in [2\sqrt{n}]$, if the assignment corresponding to vertex $a_{i,\ell}$ satisfies clause C_j , then it adds edge $(a_{i,\ell}, c_j^\circ)$.
- The reduction adds a bit-representation gadget to locate set A . Once again, informally speaking, it adds some supplementary vertices such that it is safe to assume these vertices are present in a locating-dominating set, and they locate every vertex in A . More precisely:
 - First, set $q := \lceil \log(|A|) \rceil + 1$. This value for q allows to uniquely represent each integer in $[|A|]$ by its bit-representation in binary (starting from 1 and not 0).
 - For every $i \in [q]$, the reduction adds two vertices $y_{i,1}$ and $y_{i,2}$ and edge $(y_{i,1}, y_{i,2})$.
 - For every integer $q' \in [|A|]$, let $\mathbf{bit}(q')$ denotes the binary representation of q' using q bits. Connect $a_{i,\ell} \in A$ with $y_{i,1}$ if the i^{th} bit in $\mathbf{bit}((i + (\ell - 1) \cdot \sqrt{n}))$ is 1.
 - It adds two vertices $y_{0,1}$ and $y_{0,2}$, and edge $(y_{0,1}, y_{0,2})$. It also makes every vertex in A adjacent with $y_{0,1}$.
Let $\mathbf{bit}\text{-rep}(A)$ be the collection of the vertices $y_{i,1}$ for all $i \in \{0\} \cup [q]$ added in this step.
- Finally, the reduction adds a bit-representation gadget to locate set C . However, it adds the vertices in such a way that for any pair c_j°, c_j^* , the supplementary vertices adjacent to them are identical.
 - The reduction sets $p := \lceil \log(|C|/2) \rceil + 1$ and for every $i \in [p]$, it adds two vertices $z_{i,1}$ and $z_{i,2}$ and edge $(z_{i,1}, z_{i,2})$.
 - For every integer $j \in [|C|/2]$, let $\mathbf{bit}(j)$ denotes the binary representation of j using q bits. Connect $c_j^\circ, c_j^* \in C$ with $z_{i,1}$ if the i^{th} bit in $\mathbf{bit}(j)$ is 1.
 - It adds two vertices $z_{0,1}$ and $z_{0,2}$, and edge $(z_{0,1}, z_{0,2})$. It also makes every vertex in C adjacent with $y_{0,1}$.
Let $\mathbf{bit}\text{-rep}(C)$ be the collection of the vertices $z_{i,1}$ for all $i \in \{0\} \cup [p]$ added in this step.

This completes the reduction. The reduction sets

$$k = |B|/3 + (\lceil \log(|A|) \rceil + 1 + 1) + \lceil \log(|C|/2) \rceil + 1 + 1 + \sqrt{n} = \mathcal{O}(\sqrt{n})$$

as $|B| = 3\sqrt{n}$, $|A| = \sqrt{n} \cdot 2\sqrt{n}$, and $|C| = \mathcal{O}(n^3)$, and returns (G, k) as a reduced instance.

We present a brief overview of the proof of correctness in the reverse direction. Suppose S is a locating-dominating set of graph G of size at most k . Note that b_i^* , $y_{i,2}$ and $z_{i,2}$ are pendant vertices for appropriate i . Hence, by Observation 4, it is safe to consider that vertices b_i° , $y_{i,1}$, and $z_{i,1}$ are in S . This already forces $|B|/2 + \lceil \log(|A|) \rceil + 2 + \lceil \log(|C|/2) \rceil + 2$ many vertices in S . The remaining \sqrt{n} many vertices need to locate vertices in pairs (b_i°, b_i^*) and (c_j°, c_j^*) for every $i \in [\sqrt{n}]$ and $j \in [|C|]$. Note that the only vertices that are adjacent with b_i° but are *not* adjacent with b_i^* are in A_i . Also, the only vertices that are adjacent with c_j° but are *not* adjacent with c_j^* are in A_i and correspond to an assignment that satisfies C_j . Hence, any locating-dominating set should contain at least one vertex in A_i (which will locate b_i° from b_i^*) such that the union of these vertices resolves all pairs of the form (c_j°, c_j^*) , and hence corresponds to a satisfying assignment of ψ .

► **Lemma 14.** *ψ is a YES-instance of 3-SAT if and only if (G, k) is a YES-instance of LOCATING-DOMINATING SET.*

Proof. We can partition the vertices of G into the following four sets: B , A , C , Y , Z . Furthermore, we can partition B into B' , B° and B^* as follows: $B' = \{b_i^\circ \mid i \in [\sqrt{n}]\}$,

Set	B'	B°	B^*	A	Y_1	Y_2	C°	C^*	Z_1	Z_2
Dominated by	B'	B'	B'	Y_1	Y_1	Y_1	Z_1	Z_1	Z_1	Z_1
Located by	-	$B' + A$	B'	Y_1	-	Y_1	$Z_1 + A$	Z_1	-	Z_1

■ **Table 1** Partition of $V(G)$ and the corresponding set that dominates and locates the vertices in each part.

$B^\circ = \{b_i^\circ \mid i \in [\sqrt{n}]\}$, and $B^* = \{b_i^* \mid i \in [\sqrt{n}]\}$. Define Y_1, Y_2, Z_1 and Z_2 in the similar way. Note that B^*, Y_2 , and Z_2 together contain exactly all pendant vertices.

(\Rightarrow) Suppose $\pi : X \mapsto \{\text{True}, \text{False}\}$ is a satisfying assignment for ψ . Using this assignment, we construct a locating-dominating set S of G of size at most k . Initialise set S by adding all the vertices in $B' \cup Y_1 \cup Z_1$. At this point, the cardinality of S is $k - \sqrt{n}$. We add the remaining \sqrt{n} vertices as follows: Partition X into \sqrt{n} parts $X_1, \dots, X_i, \dots, X_{\sqrt{n}}$ as specified in the reduction, and define π_i for every $i \in [\sqrt{n}]$ by restricting the assignment π to the variables in X_i . By the construction of G , there is a vertex $a_{i,\ell}$ in A corresponding to the assignment π_i . Add that vertex to S . It is easy to verify that the size of S is at most k . We next argue that S is a locating-dominating set.

Consider set A . By the property of a set representation gadget, every vertex in A is adjacent with a unique set of vertices in $\text{bit-rep}(A) \setminus \{y_{0,1}\}$. Consider a vertex $a_{i,\ell}$ in A such that the bit-representation of $(i + (\ell - 1) \cdot \sqrt{n})$ contains a single 1 at the j^{th} location. Hence, both $y_{j,2}$ and $a_{i,\ell}$ are adjacent with the same vertex, viz $y_{j,1}$ in $\text{bit-rep}(R) \setminus \{y_{0,1}\}$. However, this pair of vertices is resolved by $y_{0,1}$ which is adjacent with r_i and *not* with $y_{j,2}$. Also, as the bit-representation of vertices starts from 1, there is no vertex in R which is adjacent with only $y_{0,1}$ in $\text{bit-rep}(R)$. Using similar arguments and the properties of set representation gadgets, we can conclude that $\text{bit-rep}(A) \cup \text{bit-rep}(C)$ resolves all pairs of vertices apart from pairs of the form (b_j°, b_j^*) and (c_j°, c_j^*) .

By the construction, the sets mentioned in the second row of Table 1 dominate the vertices mentioned in the sets in the respective first rows. Hence, S is a dominating set. We only need to argue about locating the vertices in the set that are dominated by the vertices from the set. First, consider the vertices in $B^\circ \cup B^*$. Recall that every vertex of the form b_i° and b_i^* is adjacent with b'_i for every $i \in [\sqrt{n}]$. Hence, the only pair of vertices that needs to be located are of the form b_i° and b_i^* . However, as S contains at least one vertex from A_i , a vertex in S is adjacent with b_i° and not adjacent with b_i^* . Now, consider the vertices in A and Y_2 . Note that every vertex in Y_2 is adjacent to precisely one vertex in Y_1 . However, every vertex in A is adjacent with at least two vertices in Y_1 (one of which is $y_{0,1}$). Hence, every vertex in $A \cup Y_2$ is located. Using similar arguments, every vertex in $C \cup Z_2$ is also located.

The only thing that remains to argue is that every pair of vertices c_j° and c_j^* is located. As π is a satisfying assignment, at least one of its restrictions, say π_i , is a satisfying assignment for clause C_j . By the construction of the graph, the vertex corresponding to π_i is adjacent with c_j° but not adjacent with c_j^* . Also, such a vertex is present by the construction of S . Hence, there is a vertex in $S \cap A_i$ that locates c_j° from c_j^* . This concludes the proof that S is a locating-dominating set of G of size k . Hence, if ψ is a YES-instance of 3-SAT, then (G, k) is a YES-instance of LOCATING-DOMINATING SET.

(\Leftarrow) Suppose S is a locating-dominating set of G of size at most k . We construct a satisfying assignment π for ψ . Recall that B_i^*, Y_2 , and Z_2 contain exactly all pendant vertices of G . By Observation 4, it is safe to assume that every vertex in B', Y_1 , and Z_1 is present in S .

Consider the vertices in B° and B^* . As mentioned before, every vertex of the form b_i°

and b_i^* is adjacent with b_i' , which is in S . By the construction of G , only the vertices in A_i are adjacent with b_i^o but not adjacent with b_i^* . Hence, S contains at least one vertex in $A_i \cup \{b_i^o, b_i^*\}$. As the number of vertices in $S \setminus (B' \cup Y_1 \cup Y_2)$ is at most \sqrt{n} , S contains exactly one vertex from $A_i \cup \{b_i^o, b_i^*\}$ for every $i \in [\sqrt{n}]$. Suppose S contains a vertex from $\{b_i^o, b_i^*\}$. As the only purpose of this vertex is to locate a vertex in this set, it is safe to replace this vertex with any vertex in A_i . Hence, we can assume that S contains exactly one vertex in A_i for every $i \in [\sqrt{n}]$.

For every $i \in [\sqrt{n}]$, let $\pi_i : X_i \mapsto \{\text{True}, \text{False}\}$ be the assignment of the variables in X_i corresponding to the vertex of $S \cap A_i$. We construct an assignment $\pi : X \mapsto \{\text{True}, \text{False}\}$ such that that π restricted to X_i is identical to π_i . As X_i is a partition of variables in X , and every vertex in A_i corresponds to a valid assignment of variables in X_i , it is easy to see that π is a valid assignment. It remains to argue that π is a satisfying assignment. Consider a pair of vertices c_j^o and c_j^* corresponding to clause C_j . By the construction of G , both these vertices have identical neighbours in Z_1 , which is contained in S . The only vertices that are adjacent with c_j^o and are not adjacent with c_j^* are in A_i for some $i \in [\sqrt{n}]$ and correspond to some assignment that satisfies clause C_j . As S is a locating-dominating set of G , there is at least one vertex in $S \cap A_i$, that locates c_j^o from c_j^* . Alternately, there is at least one vertex in $S \cap A_i$ that corresponds to an assignment that satisfies clause C_j . This implies that if (G, k) is a YES-instance of LOCATING-DOMINATING SET, then ϕ is a YES-instance of 3-SAT. ◀

Proof of Theorem 2. Assume there exists an algorithm, say \mathcal{A} , that takes as input an instance (G, k) of LOCATING-DOMINATING SET and correctly concludes whether it is a YES-instance in time $2^{o(k^2)} \cdot |V(G)|^{\mathcal{O}(1)}$. Consider algorithm \mathcal{B} that takes as input an instance ψ of 3-SAT, uses the reduction above to get an equivalent instance (G, k) of LOCATING-DOMINATING SET, and then uses \mathcal{A} as a subroutine. The correctness of algorithm \mathcal{B} follows from Lemma 14 and the correctness of algorithm \mathcal{A} . From the description of the reduction and the fact that $k = \sqrt{n}$, the running time of algorithm \mathcal{B} is $2^{\mathcal{O}(\sqrt{n})} + 2^{o(k^2)} \cdot (2^{\mathcal{O}(\sqrt{n})})^{\mathcal{O}(1)} = 2^{o(n)}$. This, however, contradicts the ETH. Hence, LOCATING-DOMINATING SET does not admit an algorithm with running time $2^{o(k^2)} \cdot |V(G)|^{\mathcal{O}(1)}$ unless the ETH fails.

For the second part of Theorem 2, assume that such a kernelization algorithm exists. Consider the following algorithm for 3-SAT. Given a 3-SAT formula on n variables, it uses the above reduction to get an equivalent instance of (G, k) such that $|V(G)| = 2^{\mathcal{O}(\sqrt{n})}$ and $k = \mathcal{O}(\sqrt{n})$. Then, it uses the assumed kernelization algorithm to construct an equivalent instance (H, k') such that H has $2^{o(k)}$ vertices and $k' \leq k$. Finally, it uses a brute-force algorithm, running in time $|V(H)|^{\mathcal{O}(k')}$, to determine whether the reduced instance, equivalently the input instance of 3-SAT, is a YES-instance. The correctness of the algorithm follows from the correctness of the respective algorithms and our assumption. The total running time of the algorithm is $2^{\mathcal{O}(\sqrt{n})} + (|V(G)| + k)^{\mathcal{O}(1)} + |V(H)|^{\mathcal{O}(k')} = 2^{\mathcal{O}(\sqrt{n})} + (2^{\mathcal{O}(\sqrt{n})})^{\mathcal{O}(1)} + (2^{o(\sqrt{n})})^{\mathcal{O}(\sqrt{n})} = 2^{o(n)}$. This, however, contradicts the ETH. Hence, LOCATING-DOMINATING SET does not admit a polynomial-time kernelization algorithm that reduces the solution size and returns a kernel with $2^{o(k)}$ vertices unless the ETH fails. ◀

5 Modifications for Test Cover

In this section, we present the small (but crucial) modifications required to obtain similar results as mentioned in previous section for TEST COVER. As in this problem, one only need to ‘locate’ elements, the reductions in this case are often simpler than the corresponding reductions for LOCATING-DOMINATING SET to prove a conditional lower bound. We restate the problem definition for readers’ convenience.

TEST COVER

Input: A set of items U , a collection of subsets of U called *tests* and denoted by \mathcal{F} , and an integer k .

Question: Does there exist a collection of at most k tests such that for each pair of items, there is a test that contains exactly one of the two items?

We also recall the auxiliary bipartite graph G on n vertices with bipartition $\langle R, B \rangle$ of $V(G)$ such that sets R and B contain a vertex for every set in \mathcal{F} and for every item in U , respectively, and $r \in R$ and $b \in B$ are adjacent if and only if the set corresponding to r contains the element corresponding to b . We note that description of the auxiliary bipartite graph G is sufficient to describe the instance of TEST COVER. We find it notationally cleaner to work with encoding of the instance.

5.1 Parameterization by Treewidth

5.1.1 Upper Bound

In this section, we provide a short sketch of the dynamic programming for TEST COVER to prove the following theorem.

► **Theorem 15.** *TEST COVER, parameterized by the treewidth tw of the auxiliary graph admits an algorithm running in time $2^{2^{\mathcal{O}(tw)}} \cdot n^{\mathcal{O}(1)}$.*

Consider a bipartite graph G of n vertices with vertex bipartition $\langle R, B \rangle$ of $V(G)$. The objective is to determine whether there is a set of at most k vertices from R such that for each pair $x, y \in B$, there is $r \in R$ such that $rx \in E(G)$ but $ry \notin E(G)$. We assume without loss of generality that we have a nice tree decomposition $\mathcal{T} = (T, \{X_t\}_{t \in V(T)})$ of G of width at most $2tw(G) + 1$. We define G_t as before. For every node $t \in V(T)$, we define a subproblem $[t, (Y, W), (\mathcal{A}, \mathcal{D}), \mathcal{B}]$ such that $\text{opt}[t, (Y, W), (\mathcal{A}, \mathcal{D}), \mathcal{B}]$ is the size of an optimal solution $S \subseteq R \cap V(G_t)$ satisfying the following properties.

- $Y = S \cap X_t \cap R$ and $W = N_{G_t}(S \setminus X_t) \cap (B \cap X_t)$,
- $\mathcal{A} \subseteq 2^Y$ such that $A \in \mathcal{A}$ if and only if there exists a (unique) $u \in (V(G_t) \cap B) \setminus (S \cup X_t)$ such that $N_{G_t}(u) \cap S = A$,
- $\mathcal{D} \subseteq 2^Y$ such that $A \in \mathcal{D}$ if and only if there exists $u \in (X_t \cap B) \setminus S$ such that $N_{G_t}(u) \cap S = A$,
- $\mathcal{B} \subseteq \binom{(B \cap X_t) \setminus Y}{2} \cup (((B \cap X_t) \setminus Y) \times \{+\})$ such that **(i)** a pair of vertices $\{x, y\} \in \mathcal{B}$ if and only if $N_{G_t}(x) \cap S = N_{G_t}(y) \cap S$, or **(ii)** $\{x, +\} \in \mathcal{B}$ if and only if there exists $y \in (B \cap V(G_t)) \setminus (S \cup X_t)$ such that $N_{G_t}(x) \cap S = N_{G_t}(y) \cap S$, and
- There do not exist two vertices $y, z \in (B \cap V(G_t)) \setminus (S \cup X_t)$ such that $N_{G_t}(y) \cap S = N_{G_t}(z) \cap S$.

Observe that the DP-states are almost similar to that of Section 3.1. The only difference is that the objective is to pick a smallest size subset of R such that the vertices of B have to be located. We illustrate how the DP works in leaf nodes, introduce nodes, forget nodes, and join nodes. Let r be the root node. Same as before, if we compute the values of

Leaf Node: Let t be a leaf node and $X_t = \emptyset$. Then, the following four types of DP-states are possible. These DP-states are $[t, (\emptyset, \emptyset), (\emptyset, \emptyset), \emptyset]$, $[t, (\emptyset, \emptyset), (\emptyset, \{\emptyset\}), \emptyset]$, $[t, (\emptyset, \emptyset), (\{\emptyset\}, \emptyset), \emptyset]$ and $[t, (\emptyset, \emptyset), (\{\emptyset\}, \{\emptyset\}), \emptyset]$. Observe that each of the values $\text{opt}[t, (\emptyset, \emptyset), (\emptyset, \emptyset), \emptyset]$, $\text{opt}[t, (\emptyset, \emptyset), (\emptyset, \{\emptyset\}), \emptyset]$, $\text{opt}[t, (\emptyset, \emptyset), (\{\emptyset\}, \emptyset), \emptyset]$ and $\text{opt}[t, (\emptyset, \emptyset), (\{\emptyset\}, \{\emptyset\}), \emptyset]$ are zero since \emptyset is the only set that is a candidate solution for each of these DP-states.

23:24 Tight (Double) Exponential Bounds for Identification Problems

Let t be an introduce/forget node and t' be its unique child in T . Then, the two DP-states $[t, (Y, W), (\mathcal{A}, \mathcal{D}), \mathcal{B}]$ and $[t', (Y', W'), (\mathcal{A}', \mathcal{D}'), \mathcal{B}']$ are compatible to each other if an optimal solution S to the state $[t, (Y, W), (\mathcal{A}, \mathcal{D}), \mathcal{B}]$ satisfies that S' is an optimal solution to $[t', (Y', W'), (\mathcal{A}', \mathcal{D}'), \mathcal{B}']$ such that $S' = S \cap V(G_{t'})$.

Introduce Node: Let t be an introduce node such that t' is the unique child of t and $X_t = X_{t'} \cup \{u\}$. Similar as in the case of LOCATING-DOMINATING SET, if $Y' \neq Y$ and $Y' \neq Y \setminus \{u\}$, then the DP-states $[t, (Y, W), (\mathcal{A}, \mathcal{D}), \mathcal{B}]$ and $[t', (Y', W'), (\mathcal{A}', \mathcal{D}'), \mathcal{B}']$ are not compatible to each other. Consider the set \mathcal{C} of all the DP-states $[t', (Y', W'), (\mathcal{A}', \mathcal{D}'), \mathcal{B}']$ for the node t' that are compatible to the DP-state $[t, (Y, W), (\mathcal{A}, \mathcal{D}), \mathcal{B}]$. Using arguments similar to Section 3.1, we can prove that if $u \in R$, then

$$\text{opt}[t, (Y, W), (\mathcal{A}, \mathcal{D}), \mathcal{B}] = 1 + \min_{\mathcal{C}}[t', (Y', W'), (\mathcal{A}', \mathcal{D}'), \mathcal{B}']$$

Otherwise, if $u \in B$, then

$$\text{opt}[t, (Y, W), (\mathcal{A}, \mathcal{D}), \mathcal{B}] = \min_{\mathcal{C}}[t', (Y', W'), (\mathcal{A}', \mathcal{D}'), \mathcal{B}']$$

Forget Node: Let t be a forget node such that t' be its unique child. Same as before, consider the set \mathcal{C} of all the DP-states that are compatible to the DP-state $[t, (Y, W), (\mathcal{A}, \mathcal{D}), \mathcal{B}]$. Since an optimal solution to $[t, (Y, W), (\mathcal{A}, \mathcal{D}), \mathcal{B}]$ is the same as an optimal solution to $[t', (Y', W'), (\mathcal{A}', \mathcal{D}'), \mathcal{B}']$, we can prove in a similar way that

$$\text{opt}[t, (Y, W), (\mathcal{A}, \mathcal{D}), \mathcal{B}] = \min_{\mathcal{C}}[t', (Y', W'), (\mathcal{A}', \mathcal{D}'), \mathcal{B}']$$

Join Node: Let t be a join node with its two children t_1 and t_2 . To compute the value of $\text{opt}[t, (Y, W), (\mathcal{A}, \mathcal{D}), \mathcal{B}]$, we consider the collection of all DP-states $[t_1, (Y_1, W_1), (\mathcal{A}_1, \mathcal{D}_1), \mathcal{B}_1]$ and $[t_2, (Y_2, W_2), (\mathcal{A}_2, \mathcal{D}_2), \mathcal{B}_2]$ such that the three above mentioned states are compatible to each other. By arguments similar as before, we can justify that

$$\begin{aligned} & \text{opt}[t, (Y, W), (\mathcal{A}, \mathcal{D}), \mathcal{B}] \\ &= \min_{\mathcal{C}} \left\{ \text{opt}[t_1, (Y_1, W_1), (\mathcal{A}_1, \mathcal{D}_1), \mathcal{B}_1] + \text{opt}[t_2, (Y_2, W_2), (\mathcal{A}_2, \mathcal{D}_2), \mathcal{B}_2] - |Y| \right\} \end{aligned}$$

Finally, by similar arguments as before, we can prove that TEST COVER can be solved in time $2^{2^{\mathcal{O}(\text{tw})}} n^{\mathcal{O}(1)}$.

5.1.2 Lower Bound

In this subsection, we prove the lower bound mentioned in Theorem 1, i.e., TEST COVER does not admit an algorithm running in time $2^{2^{\mathcal{O}(\text{tw})}} \cdot |V(G)|^{\mathcal{O}(1)}$, unless the ETH fails. We present a reduction which is a modification of the reduction presented in Subsection 3.2.

Reduction For notational convenience, instead of specify an instance of TEST COVER, we specify the auxiliary graph as mentioned in the definition. The reduction takes as input an instance ψ of (3, 3)-SAT with n variables and outputs an instance $(G, \langle R, B \rangle, k)$ of TEST COVER such that $\text{tw}(G) = \mathcal{O}(\log(n))$. Suppose $X = \{x_1, \dots, x_n\}$ is the collection of variables and $C = \{C_1, \dots, C_m\}$ is the collection of clauses in ψ . Here, we consider $\langle x_1, \dots, x_n \rangle$ and $\langle C_1, \dots, C_m \rangle$ be arbitrary but fixed orderings of variables and clauses in ψ . For a particular

clause, the first order specifies the first, second, or third (if it exists) variable in the clause in a natural way. The second ordering specifies the first/second positive/negative appearance of variables in X in a natural way. The reduction constructs a graph G as follows after initialising $R = B = \emptyset$.

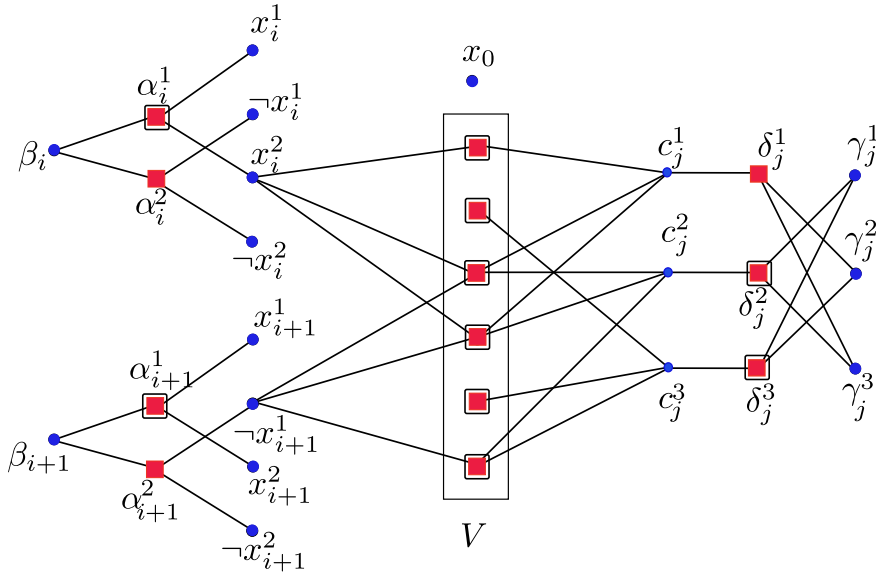
- To construct a variable gadget for x_i , it adds a blue vertex β_i to B , two red vertices α_i^1, α_i^2 to R , and four blue vertices $x_i^1, \neg x_i^1, x_i^2, \neg x_i^2$ to B . It then adds the edges as shown in Figure 3. Let A_i be the collection of these seven vertices. Define $X_i := \{x_i^1, \neg x_i^1, x_i^2, \neg x_i^2\}$.
- To construct a clause gadget for C_j , the reduction adds three blue vertices $\{\gamma_j^1, \gamma_j^2, \gamma_j^3\}$ to B , three red vertices $\{\delta_j^1, \delta_j^2, \delta_j^3\}$ to R , and three vertices c_j^1, c_j^2, c_j^3 to B . It adds the edges as shown in Figure 3. Let B_j be the collection of these nine vertices.
- Let p be the smallest positive integer such that $4n \leq \binom{2p}{p}$. Define \mathcal{F}_p as the collection of subsets of $[2p]$ that contains exactly p integers (such a collection \mathcal{F}_p is called a *Sperner family*). Define $\mathbf{set\text{-}rep} : \bigcup_{i=1}^n X_i \mapsto \mathcal{F}_p$ as an injective function by arbitrarily assigning a set in \mathcal{F}_p to a vertex x_i^ℓ or $\neg x_i^\ell$, for every $i \in [n]$ and $\ell \in [2]$. In other words, every appearance of a literal is assigned a distinct subset in \mathcal{F}_p .
- The reduction adds a *connection portal* V , which is an independent set on $2p$ red vertices v_1, v_2, \dots, v_{2p} , to R . For every vertex v_q in V , the reduction adds a pendant blue vertex u_q adjacent to the red vertex v_q .
- For all vertex $x_i^\ell \in X$ where $i \in [n]$ and $\ell \in [2]$, the reduction adds edges (x_i^ℓ, v_q) for every $q \in \mathbf{set\text{-}rep}(x_i^\ell)$. Similarly, it adds edges $(\neg x_i^\ell, v_q)$ for every $q \in \mathbf{set\text{-}rep}(\neg x_i^\ell)$.
- For a clause C_j , suppose variable x_i appears positively for the ℓ^{th} time as the r^{th} variable in C_j . For example, x_i appears positively for the second time as the third variable in C_j . Then, the reduction adds edges across B and V such that the vertices c_j^r and x_i^ℓ have the same neighbourhood in V , namely, the set $\{v_q : q \in \mathbf{set\text{-}rep}(x_i^\ell)\}$. Similarly, it adds edges for the negative appearance of the variables.
- The reduction adds an isolated blue vertex x_0 .

This concludes the construction of G . The reduction sets $k = n + 2m + 2p$ and returns $(G, \langle R, B \rangle, k)$ as the reduced instance of TEST COVER.

We now provide an overview of the proof of correctness in the reverse direction. The crux of the correctness is: Without loss of generality, all the red vertices in the connection portal V are present in any test cover T of G . Consider a blue vertex, say x_i^1 , on ‘variable-side’ of T and a blue vertex, say c_j^1 , on ‘clause-side’ of T , and suppose they have same neighbors in the connection portal. Then, at least x_i^1 is adjacent with red vertices in $T \setminus V$ or c_j^1 is adjacent with red vertices in $T \setminus V$.

More formally, suppose T is a test cover of G of size $k = n + 2m + 2p$. As every vertex in V is present in T , we know that T contains exactly one and exactly 2 vertices from each variable gadget and clause gadget, respectively. This is ensured by the fact that there is an isolated blue vertex x_0 , and the blue vertex β_i is adjacent with only two red vertices viz α_i^1 and α_i^2 . Hence, at least one of them is in T . Similarly, three blue vertices $\{\gamma_j^1, \gamma_j^2, \gamma_j^3\}$ and their adjacency with three red vertices in $\{\delta_j^1, \delta_j^2, \delta_j^3\}$, ensures at least two vertices from the later set should be in T . Selecting α_i^1 corresponds to setting the variable to **True** and selecting α_i^2 corresponding to setting the variable to **False**. Also, including $\{\delta_j^2, \delta_j^3\}$, $\{\delta_j^1, \delta_j^3\}$, and $\{\delta_j^1, \delta_j^2\}$ in T , corresponding to selecting the first, second and the third variable, respectively, to satisfy clause C_j . As in Subsection 3.2, the connection portal and its adjacencies to variable gadgets and clause gadgets ensures that these choices are consistent.

This establishes the correctness of the reduction. The argument regarding the conditional lower bound is identical as in Subsection 3.2.



■ **Figure 3** An illustrative example of the graph constructed by the reduction. Red (squared) nodes denote the tests whereas blue (filled circle) nodes the elements. For the sake of clarity, we do not explicitly show the pendant blue vertices adjacent to vertices in V . The variable and clause gadgets are on the left-side and right-side of V , respectively. This is an adaptation of the same example mentioned in Subsection 3.2. The rectangle boundary around the red vertices denotes a solution.

5.2 Parameterization by the Solution Size

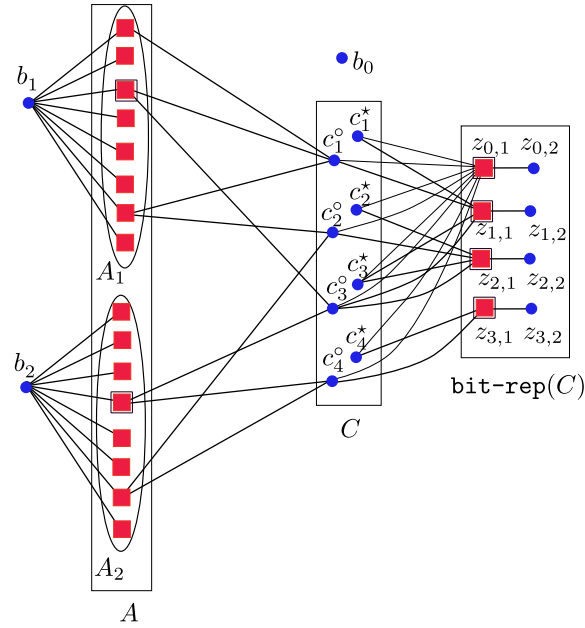
In this subsection, we present a reduction that is very close to the reduction used in the proof of Theorem 2 to prove Theorem 3, restated below.

► **Theorem 3.** *Unless the ETH fails, TEST COVER does not admit*

- *an algorithm running in time $2^{2^{O(k)}} \cdot (|U| + |\mathcal{F}|)^{O(1)}$, nor*
- *a polynomial time kernelization algorithm that reduces the solution size and outputs a kernel with $2^{2^{O(k)}}$ vertices.*

Reduction For notational convenience, instead of specifying an instance of TEST COVER, we specify the auxiliary graph as mentioned in the definition. The reduction takes as input an instance ψ , with n variables and m clauses, of 3-SAT and returns a reduced instance $(G, \langle R, B \rangle, k)$ of TEST COVER and $k = \mathcal{O}(\log(n) + \log(m)) = \mathcal{O}(\log(n))$, using the sparsification lemma [42]. The reduction constructs graph G as follows.

- The reduction adds some dummy variables to ensure that $n = 2^{2^q}$ for some positive integer q which is power of 2. This ensures that $r = \log_2(n) = 2q$ and $s = \frac{n}{r}$ both are integers. It partitions the variables of ψ into r many buckets X_1, X_2, \dots, X_r such that each bucket contains s many variables. Let $X_i = \{x_{i,j} \mid j \in [s]\}$ for all $i \in [r]$.
- For every X_i , the reduction constructs a set A_i of 2^s many red vertices, that is, $A_i = \{a_{i,\ell} \mid \ell \in [2^s]\}$. Each vertex in A_i corresponds to a unique assignment of the variables in X_i . Moreover, let $A = \cup_{i=1}^r A_i$.
- Corresponding to each X_i , let the reduction add a blue vertex b_i and the edges $(b_i, a_{i,\ell})$ for all $i \in [r]$ and $\ell \in [2^s]$. Let $B = \{b_i \mid i \in [r]\}$.



■ **Figure 4** An illustrative example of the graph constructed by the reduction in Subsection 5.2. Red (squared) nodes denote the tests whereas blue (filled circle) nodes the elements.

- For every clause C_j , the reduction adds a pair of blue vertices c_j^o, c_j^* . For a vertex $a_{i,\ell} \in A_i$ with $i \in [r]$, and $\ell \in [2^s]$, if the assignment corresponding to vertex $a_{i,\ell}$ satisfies the clause C_j , then the reduction adds the edge $(a_{i,\ell}, c_j^o)$. Let $C = \{c_j^o, c_j^* \mid j \in [m]\}$.
- The reduction adds a bit-representation gadget to locate set C . However, it adds the vertices in such a way that for any pair c_j^o, c_j^* , the supplementary vertices adjacent to them are identical.
 - The reduction sets $p := \lceil \log(m) \rceil + 1$ and for every $i \in [p]$, it adds two vertices, a red vertex $z_{i,1}$ and a blue vertex $z_{i,2}$, and edge $(z_{i,1}, z_{i,2})$.
 - For every integer $j \in [m]$, let $\text{bit}(j)$ denotes the binary representation of j using p bits. Connect $c_j^o, c_j^* \in C$ with $z_{i,1}$ if the i^{th} bit in $\text{bit}(j)$ is 1.
 - It add two vertices $z_{0,1}$ and $z_{0,2}$, and edge $(z_{0,1}, z_{0,2})$. It also makes every vertex in C adjacent with $z_{0,1}$. Let $\text{bit-rep}(C)$ be the collection of all the vertices added in this step.
- The reduction adds an isolated blue vertex b_0 .

This completes the construction. The reduction sets $k = r + \frac{1}{2}|\text{bit-rep}(C)| = \mathcal{O}(\log(n)) + \mathcal{O}(\log(m)) = \mathcal{O}(\log(n))$, and returns $(G, \langle R, B \rangle, k)$ as an instance of TEST COVER.

We present a brief overview of the proof of correctness in the reverse direction. Suppose R' is a set of tests of the graph G of order at most k . Since b_0 is an isolated blue vertex of G , it implies that the set R' dominates and locates every pair of vertices in $B \setminus \{b_0\}$. The blue vertices in $\text{bit-rep}(C)$ are pendant vertices that are adjacent with red vertices in $\text{bit-rep}(C)$. Hence, all the red vertices in $\text{bit-rep}(C)$ are in R' . The remaining r many vertices need to locate vertices in pairs (c_j^o, c_j^*) , for every $j \in [m]$, which have the same neighbourhood in $\text{bit-rep}(C)$. To do so, note that the only vertices adjacent to c_j^o and *not* to c_j^* are in A_i and corresponds to an assignment satisfying clause C_j . Hence, for every $j \in [m]$, the set R' should contain at least one vertex $\{a_{i,\ell}\}$ in order to locate c_j^o, c_j^* , where

$(a_{i,\ell}, c_j^o)$ is an edge for some $i \in [r]$ and $\ell \in [2^s]$. Moreover, in order to dominate the vertices of B , for each $i \in [r]$, the set R' must have a vertex from each A_i . Hence, the set R' is forced to contain *exactly* one vertex from each A_i . Concatenating the assignments corresponding to each $a_{i,\ell}$ in R' , we thus obtain a satisfying assignment of ψ . The formal arguments for the correctness follows very closely to the one mentioned in Subsection 4.2.

Proof of Theorem 3. Assume there is an algorithm \mathcal{A} that, given an instance $(G, \langle R, B \rangle, k)$ of TEST COVER, runs in time $2^{2^{o(k)}} \cdot (|U| + |\mathcal{F}|)^{\mathcal{O}(1)}$ and correctly determines whether it is a YES-instance. Consider the following algorithm that takes as input an instance ψ of 3-SAT and determines whether it is a YES-instance. It first constructs an equivalent instance $(G, \langle R, B \rangle, k)$ of TEST COVER as mentioned in this subsection. Note that such an instance can be constructed in time $2^{\mathcal{O}(n/\log(n))}$ as the most time consuming step is to enumerate all the possible assignment of $\mathcal{O}(n/\log(n))$ many variables in each bucket.

Then, it calls algorithm \mathcal{A} as a subroutine and returns the same answer. The correctness of this algorithm follows from the correctness of algorithm \mathcal{A} and the correctness of the reduction. Moreover, from the reduction, we have $k = \mathcal{O}(\log(n))$. As the other steps, including the construction of the instance of TEST COVER, can be performed in time $2^{\mathcal{O}(n/\log(n))} \cdot n^{\mathcal{O}(1)} = 2^{o(n)}$, the running time of the algorithm for 3-SAT is $2^{2^{o(\log(n))}} \cdot (|R| + |B|)^{\mathcal{O}(1)} = 2^{o(n)} \cdot n^{\mathcal{O}(1)}$. This, however, contradicts ETH (using the sparcification lemma). Hence, our assumption is wrong, and TEST COVER does not admit an algorithm running in time $2^{2^{o(k)}} \cdot (|U| + |\mathcal{F}|)^{\mathcal{O}(1)}$, unless the ETH fails. ◀

6 Conclusion

We presented several results that advance our understanding of the algorithmic complexity of LOCATING-DOMINATING SET and TEST COVER, which we showed to have very interesting and rare parameterized complexities. Moreover, we believe the techniques used in this article can be applied to other identification problems to obtain relatively rare conditional lower bounds. The process of establishing such lower bounds boils down to designing *bit-representation gadgets* and *set-representation gadgets* for the problem in question.

Apart from the broad question of designing such lower bounds for other identification problems, we mention an interesting problem left open by our work. Can our tight double-exponential lower bound for LOCATING-DOMINATING SET parameterized by treewidth/treedepth can be applied to the feedback vertex set number? The question could also be studied for other related parameters.

References

- 1 A. Agrawal, D. Lokshtanov, S. Saurabh, and M. Zehavi. Split contraction: The untold story. *ACM Trans. Comput. Theory*, 11(3):18:1–18:22, 2019.
- 2 Gabriela R. Argiroffo, Silvia M. Bianchi, Yanina Lucarini, and Annegret Katrin Wagler. Linear-time algorithms for three domination-based separation problems in block graphs. *Discret. Appl. Math.*, 281:6–41, 2020.
- 3 L. Babai. On the complexity of canonical labelling of strongly regular graphs. *SIAM J. Comput.*, 9(1):212–216, 1980.
- 4 Florian Barbero, Lucas Isenmann, and Jocelyn Thiebaut. On the distance identifying set meta-problem and applications to the complexity of identifying problems on graphs. *Algorithmica*, 82(8):2243–2266, 2020.

- 5 Manu Basavaraju, Mathew C. Francis, M. S. Ramanujan, and Saket Saurabh. Partially polynomial kernels for set cover and test cover. *SIAM J. Discret. Math.*, 30(3):1401–1423, 2016.
- 6 Piotr Berman, Bhaskar DasGupta, and Ming-Yang Kao. Tight approximability results for test set problems in bioinformatics. *J. Comput. Syst. Sci.*, 71(2):145–162, 2005.
- 7 Ivan Bliznets and Markus Hecher. Tight double exponential lower bounds. In Xujin Chen and Bo Li, editors, *Theory and Applications of Models of Computation - 18th Annual Conference, TAMC 2024, Hong Kong, China, May 13-15, 2024, Proceedings*, volume 14637 of *Lecture Notes in Computer Science*, pages 124–136. Springer, 2024.
- 8 John A Bondy. Induced subsets. *Journal of Combinatorial Theory, Series B*, 12(2):201–202, 1972.
- 9 Koen M. J. De Bontridder, Bjarni V. Halldórsson, Magnús M. Halldórsson, Cor A. J. Hurkens, Jan Karel Lenstra, R. Ravi, and Leen Stougie. Approximation algorithms for the test cover problem. *Math. Program.*, 98(1-3):477–491, 2003.
- 10 Márcia R. Cappelle, Guilherme de C. M. Gomes, and Vinícius Fernandes dos Santos. Parameterized algorithms for locating-dominating sets. *CoRR*, abs/2011.14849, 2020. URL: <https://arxiv.org/abs/2011.14849>, arXiv:2011.14849.
- 11 Márcia R. Cappelle, Guilherme C. M. Gomes, and Vinícius Fernandes dos Santos. Parameterized algorithms for locating-dominating sets. In Carlos E. Ferreira, Orlando Lee, and Flávio Keidi Miyazawa, editors, *Proceedings of the XI Latin and American Algorithms, Graphs and Optimization Symposium, LAGOS 2021, Online Event / São Paulo, Brazil, May 2021*, volume 195 of *Procedia Computer Science*, pages 68–76. Elsevier, 2021.
- 12 Jérémie Chalopin, Victor Chepoi, Fionn Mc Inerney, and Sébastien Ratel. Non-clashing teaching maps for balls in graphs. *CoRR*, abs/2309.02876, 2023. URL: <https://doi.org/10.48550/arXiv.2309.02876>, arXiv:2309.02876, doi:10.48550/ARXIV.2309.02876.
- 13 L. S. Chandran, D. Issac, and A. Karrenbauer. On the parameterized complexity of biclique cover and partition. In J. Guo and D. Hermelin, editors, *11th International Symposium on Parameterized and Exact Computation, IPEC 2016*, volume 63 of *LIPICs*, pages 11:1–11:13. Schloss Dagstuhl - Leibniz-Zentrum für Informatik, 2016.
- 14 Emmanuel Charbit, Irène Charon, Gérard D. Cohen, Olivier Hudry, and Antoine Lobstein. Discriminating codes in bipartite graphs: bounds, extremal cardinalities, complexity. *Advances in Mathematics of Communication*, 2(4):403–420, 2008.
- 15 Irène Charon, Gérard D. Cohen, Olivier Hudry, and Antoine Lobstein. Discriminating codes in (bipartite) planar graphs. *Eur. J. Comb.*, 29(5):1353–1364, 2008.
- 16 Bogdan S. Chlebus and Sinh Hoa Nguyen. On finding optimal discretizations for two attributes. In *Proceedings of the First International Conference on Rough Sets and Current Trends in Computing*, volume 1424, pages 537–544, Berlin, Heidelberg, 1998. Springer Berlin Heidelberg.
- 17 Vasek Chvátal. Mastermind. *Combinatorica*, 3(3):325–329, 1983. doi:10.1007/BF02579188.
- 18 C. Colbourn, P. J. Slater, and L. K. Stewart. Locating-dominating sets in series-parallel networks. *Congressus Numerantium*, 56:135–162, 1987.
- 19 B. Courcelle. The monadic second-order logic of graphs. I. recognizable sets of finite graphs. *Inf. Comput.*, 85(1):12–75, 1990.
- 20 Bruno Courcelle. The monadic second-order logic of graphs. I. Recognizable sets of finite graphs. *Information and Computation*, 85(1):12–75, 1990.
- 21 Bruno Courcelle, Johann A. Makowsky, and Udi Rotics. Linear time solvable optimization problems on graphs of bounded clique-width. *Theory Comput. Syst.*, 33(2):125–150, 2000.
- 22 Robert Crowston, Gregory Z. Gutin, Mark Jones, Gabriele Muciaccia, and Anders Yeo. Parameterizations of test cover with bounded test sizes. *Algorithmica*, 74(1):367–384, 2016.
- 23 Robert Crowston, Gregory Z. Gutin, Mark Jones, Saket Saurabh, and Anders Yeo. Parameterized study of the test cover problem. In Branislav Rován, Vladimiro Sassone, and Peter Widmayer, editors, *Mathematical Foundations of Computer Science 2012 - 37th International*

- Symposium, MFCS 2012, Bratislava, Slovakia, August 27-31, 2012. Proceedings*, volume 7464 of *Lecture Notes in Computer Science*, pages 283–295. Springer, 2012.
- 24 M. Cygan, M. Pilipczuk, and M. Pilipczuk. Known algorithms for edge clique cover are probably optimal. *SIAM J. Comput.*, 45(1):67–83, 2016.
 - 25 Marek Cygan, Fedor V. Fomin, Lukasz Kowalik, Daniel Lokshtanov, Dániel Marx, Marcin Pilipczuk, Michal Pilipczuk, and Saket Saurabh. *Parameterized Algorithms*. Springer, 2015. doi:10.1007/978-3-319-21275-3.
 - 26 Reinhard Diestel. *Graph Theory, 4th Edition*, volume 173 of *Graduate texts in mathematics*. Springer, 2012. URL: <https://dblp.org/rec/books/daglib/0030488.bib>.
 - 27 J. K. Fichte, M. Hecher, M. Morak, P. Thier, and S. Woltran. Solving projected model counting by utilizing treewidth and its limits. *Artif. Intell.*, 314:103810, 2023.
 - 28 J. K. Fichte, M. Hecher, M. Morak, and S. Woltran. Exploiting treewidth for projected model counting and its limits. In *Theory and Applications of Satisfiability Testing - SAT 2018 - 21st International Conference, SAT 2018, Proc.*, volume 10929 of *Lecture Notes in Computer Science*, pages 165–184. Springer, 2018.
 - 29 J. Focke, F. Frei, S. Li, D. Marx, P. Schepper, R. Sharma, and K. Wegrzycki. Hitting meets packing: How hard can it be? *CoRR*, abs/2402.14927, 2024. URL: <https://doi.org/10.48550/arXiv.2402.14927>.
 - 30 F. V. Fomin, P. A. Golovach, D. Lokshtanov, S. Saurabh, and M. Zehavi. Clique-width III: hamiltonian cycle and the odd case of graph coloring. *ACM Trans. Algorithms*, 15(1):9:1–9:27, 2019.
 - 31 Fedor V Fomin, Daniel Lokshtanov, Saket Saurabh, and Meirav Zehavi. *Kernelization: theory of parameterized preprocessing*. Cambridge University Press, 2019.
 - 32 Florent Foucaud. Decision and approximation complexity for identifying codes and locating-dominating sets in restricted graph classes. *J. Discrete Algorithms*, 31:48–68, 2015.
 - 33 Florent Foucaud, Esther Galby, Liana Khazaliya, Shaohua Li, Fionn Mc Inerney, Roohani Sharma, and Prafullkumar Tale. Tight (double) exponential bounds for np-complete problems: Treewidth and vertex cover parameterizations. *CoRR*, abs/2307.08149, 2023. URL: <https://doi.org/10.48550/arXiv.2307.08149>, arXiv:2307.08149, doi:10.48550/ARXIV.2307.08149.
 - 34 Florent Foucaud, George B. Mertzios, Reza Naserasr, Aline Parreau, and Petru Valicov. Identification, location-domination and metric dimension on interval and permutation graphs. I. bounds. *Theoretical Computer Science*, 668:43–58, 2017.
 - 35 Florent Foucaud, George B Mertzios, Reza Naserasr, Aline Parreau, and Petru Valicov. Identification, location-domination and metric dimension on interval and permutation graphs. II. algorithms and complexity. *Algorithmica*, 78(3):914–944, 2017.
 - 36 M. R. Garey and D. S. Johnson. *Computers and Intractability - A guide to NP-completeness*. W.H. Freeman and Company, 1979.
 - 37 Sylvain Gravier, Ralf Klasing, and Julien Moncel. Hardness results and approximation algorithms for identifying codes and locating-dominating codes in graphs. *Algorithmic Oper. Res.*, 3(1), 2008. URL: <http://journals.hil.unb.ca/index.php/AOR/article/view/2808>.
 - 38 Gregory Z. Gutin, Gabriele Muciaccia, and Anders Yeo. (non-)existence of polynomial kernels for the test cover problem. *Inf. Process. Lett.*, 113(4):123–126, 2013.
 - 39 T. Hanaka, H. Köhler, and M. Lampis. Core stability in additively separable hedonic games of low treewidth, 2024. URL: <http://arxiv.org/abs/2402.10815>, arXiv:2402.10815.
 - 40 A. Ian. *Combinatorics of Finite Sets*. Oxford University Press, 1987.
 - 41 Russell Impagliazzo and Ramamohan Paturi. On the complexity of k-sat. *J. Comput. Syst. Sci.*, 62(2):367–375, 2001. URL: <https://doi.org/10.1006/jcss.2000.1727>, doi:10.1006/JCSS.2000.1727.
 - 42 Russell Impagliazzo, Ramamohan Paturi, and Francis Zane. Which problems have strongly exponential complexity? *J. Comput. Syst. Sci.*, 63(4):512–530, 2001. URL: <https://doi.org/10.1006/jcss.2001.1774>, doi:10.1006/JCSS.2001.1774.

- 43 K. Jansen, KM. Klein, and A. Lassota. The double exponential runtime is tight for 2-stage stochastic ILPs. *Math. Program.*, 197:1145–1172, 2023.
- 44 D. Jean and A. Lobstein. Watching systems, identifying, locating-dominating and discriminating codes in graphs: a bibliography. *Published electronically at <https://dragazo.github.io/bibdom/main.pdf>*, 2024.
- 45 T. Kloks. *Treewidth, Computations and Approximations*. Springer, 1994.
- 46 Dusan Knop, Michal Pilipczuk, and Marcin Wrochna. Tight complexity lower bounds for integer linear programming with few constraints. *ACM Trans. Comput. Theory*, 12(3):19:1–19:19, 2020. doi:10.1145/3397484.
- 47 T. Korhonen. A single-exponential time 2-approximation algorithm for treewidth. In *2021 IEEE 62nd Annual Symposium on Foundations of Computer Science (FOCS 2021)*, pages 184–192, 2022.
- 48 L. Kowalik, A. Lassota, K. Majewski, M. Pilipczuk, and M. Sokołowski. Detecting points in integer cones of polytopes is double-exponentially hard. In *2024 Symposium on Simplicity in Algorithms (SOSA)*, pages 279–285, 2024.
- 49 S. Kratsch, G. Philip, and S. Ray. Point line cover: The easy kernel is essentially tight. *ACM Trans. Algorithms*, 12(3):40:1–40:16, 2016.
- 50 M. Künnemann, F. Mazowiecki, L. Schütze, H. Sinclair-Banks, and K. Węgrzycki. Coverability in VASS Revisited: Improving Rackoff’s Bound to Obtain Conditional Optimality. In *50th International Colloquium on Automata, Languages, and Programming (ICALP 2023)*, volume 261 of *Leibniz International Proceedings in Informatics (LIPIcs)*, pages 131:1–131:20, Dagstuhl, Germany, 2023. Schloss Dagstuhl – Leibniz-Zentrum für Informatik.
- 51 M. Lampis, S. Mengel, and V. Mitsou. QBF as an alternative to courcelle’s theorem. In *Theory and Applications of Satisfiability Testing - SAT 2018 - 21st International Conference, SAT 2018*, volume 10929 of *Lecture Notes in Computer Science*, pages 235–252. Springer, 2018.
- 52 D. Lokshtanov, S. Saurabh, S. Suri, and J. Xue. An ETH-tight algorithm for multi-team formation. In *41st IARCS Annual Conference on Foundations of Software Technology and Theoretical Computer Science, FSTTCS 2021*, volume 213 of *LIPIcs*, pages 28:1–28:9. Schloss Dagstuhl - Leibniz-Zentrum für Informatik, 2021.
- 53 Daniel Lokshtanov, Dániel Marx, and Saket Saurabh. Known algorithms on graphs of bounded treewidth are probably optimal. *ACM Trans. Algorithms*, 14(2):13:1–13:30, 2018.
- 54 D. Marx and V. Mitsou. Double-exponential and triple-exponential bounds for choosability problems parameterized by treewidth. In *43rd International Colloquium on Automata, Languages, and Programming (ICALP 2016)*, volume 55 of *LIPIcs*, pages 28:1–28:15, 2016.
- 55 Bernard M. E. Moret and Henry D. Shapiro. On minimizing a set of tests. *SIAM Journal on Scientific and Statistical Computing*, 6(4):983–1003, 1985.
- 56 Tobias Müller and Jean-Sébastien Sereni. Identifying and locating-dominating codes in (random) geometric networks. *Comb. Probab. Comput.*, 18(6):925–952, 2009.
- 57 M. Pilipczuk. Problems parameterized by treewidth tractable in single exponential time: A logical approach. In *Mathematical Foundations of Computer Science 2011 - 36th International Symposium, MFCS 2011, Proceedings*, volume 6907 of *Lecture Notes in Computer Science*, pages 520–531. Springer, 2011.
- 58 M. Pilipczuk and M. Sorge. A double exponential lower bound for the distinct vectors problem. *Discret. Math. Theor. Comput. Sci.*, 22(4), 2020.
- 59 N.S.V. Rao. Computational complexity issues in operative diagnosis of graph-based systems. *IEEE Transactions on Computers*, 42(4):447–457, 1993.
- 60 Alfred Rényi. On random generating elements of a finite boolean algebra. *Acta Scientiarum Mathematicarum Szeged*, 22:75–81, 1961.
- 61 I. Sau and U. dos Santos Souza. Hitting forbidden induced subgraphs on bounded treewidth graphs. *Inf. Comput.*, 281:104812, 2021.
- 62 A. Sebő and E. Tannier. On metric generators of graphs. *Mathematics of Operations Research*, 29(2):383–393, 2004.

23:32 Tight (Double) Exponential Bounds for Identification Problems

- 63 Peter J. Slater. Domination and location in acyclic graphs. *Networks*, 17(1):55–64, 1987. doi:10.1002/net.3230170105.
- 64 Peter J. Slater. Dominating and reference sets in a graph. *Journal of Mathematical and Physical Sciences*, 22(4):445–455, 1988.
- 65 Jukka Suomela. Approximability of identifying codes and locating-dominating codes. *Inf. Process. Lett.*, 103(1):28–33, 2007. URL: <https://doi.org/10.1016/j.ipl.2007.02.001>, doi:10.1016/J.IPL.2007.02.001.
- 66 P. Tale. Double exponential lower bound for telephone broadcast, 2024. URL: <http://arxiv.org/abs/2403.03501>, arXiv:2403.03501.
- 67 Craig A. Tovey. A simplified np-complete satisfiability problem. *Discret. Appl. Math.*, 8(1):85–89, 1984. doi:10.1016/0166-218X(84)90081-7.
- 68 Johan M. M. van Rooij, Hans L. Bodlaender, and Peter Rossmanith. Dynamic programming on tree decompositions using generalised fast subset convolution. In Amos Fiat and Peter Sanders, editors, *Algorithms - ESA 2009, 17th Annual European Symposium, Copenhagen, Denmark, September 7-9, 2009. Proceedings*, volume 5757 of *Lecture Notes in Computer Science*, pages 566–577. Springer, 2009.