

# Conservation, correlations, and diagrammatic completeness

Frederick Green

*School of Physics, The University of New South Wales, Sydney, NSW 2052, Australia*

The diagrammatic theory of strongly correlated systems includes two types of selfconsistent perturbative analysis:  $\Phi$ -derivable, or conserving, approximations and iterative parquet expansions. Becker and Grosser [W. Becker and D. Grosser, *Nuov. Cim. A* **10**, 343 (1972)] first showed that crossing symmetry and elastic unitarity (conservation) could not both be satisfied in any approximation to the two-particle Bethe-Salpeter equation for the transition matrix. Jackson and Smith [A. D. Jackson and R. A. Smith, *Phys. Rev. A* **36**, 2517 (1987)], later proved in particular that, despite their close affinity,  $\Phi$  derivability and parquet are fundamentally irreconcilable. Parquet theory computes the two-body scattering amplitude, respecting its crossing symmetry.  $\Phi$  derivability computes the nonequilibrium one-body dynamics, respecting conservation in the two-body response. Parquet cannot safeguard global conservation and  $\Phi$  derivability cannot guarantee crossing symmetry, yet both are physical requirements. We investigate these “failure modes” within a generalized Hamiltonian approach. The two methods’ respective relation to the exact ground state sheds light on their complementary shortcomings.

## I. INTRODUCTION

The capacity to distill tractable computational strategies from the microscopic description of interacting systems accompanies, and often guides, progress in condensed matter. It has done so for at least two generations, very successfully. This capability has two ingredients: the insight to identify a dominant (most often collective) effect among many logical options, and the availability of a technical language in which to express the former. The lexicon of diagrammatic summations offers one option among the several robust philosophies filling important slots in the theorist’s toolbox.

As the means to its goal, this paper revisits the affinity between two significant methods among the many diagrammatic ones: parquet theory [1–3] and  $\Phi$  derivability [4, 5]. Their closeness, however, belies a systemic incompatibility whose better understanding is our actual aim. Since the work of Becker and Grosser [6], Jackson and Smith [7], and later of Smith in great detail [8] it is known that theories based on  $\Phi$  derivability on one side and parquet on the other cannot be unified, neither in principle nor in practice. This is despite the fact that they even share a characteristic set of equations for the interaction vertex. A conserving  $\Phi$ -derivable model can never be made unconditionally crossing symmetric; a parquet model can never be made unconditionally conserving. It is intriguing that this would seem to be built into the very fabric of diagrammatic theory.

No investigation can reconcile  $\Phi$  derivability and parquet. Nevertheless one can still address two questions: How are the mutual deficiencies of the two approaches manifested in their particular outworkings? Is there something more to understand about diagrammatic processes beyond the outcomes of References [6], [7] and [8]?

Below we offer some considerations on the nature and limits of the pair of diagrammatic analyses at hand. In short, their treatment of the ground state directly expresses their distinction. Our study implements an approach devised by Kraichnan [9, 10]. His formalism af-

fords a canonical Hamiltonian description of a class of  $\Phi$ -derivable models, approximations that perform all-order diagram summations abstracted from the complete, exact system expansion. It has been applied to particular cases [11] to establish a formal basis for their automatic satisfaction of the full set of conservation relations, for example the dynamical sum rules on the density-density and related correlation functions.

To compare parquet and  $\Phi$  derivability we start with a description of the class of correlations mediated by the only three possible pairwise propagation modes: particle-particle or hole-hole ladders (*s* channel), particle-hole bubbles (*t* channel) and particle-hole ladders (*u* channel) [12]. These correlations are, of course, far from touching the innumerable combinatorial possibilities implicit in the exact theory, but they are also the basis for major collective phenomena, and thus a natural starting point for  $\Phi$  derivability and parquet alike. The Kraichnan-based description of the pairwise-only “*stu*” approximation, of interest here, is identical in content, if differently formulated, to the  $\Phi$ -derivable theory of Scalapino and co-authors [13, 14], known as the fluctuation exchange, or FLEX, model.

Section II establishes context by reviewing the theory of the Luttinger-Ward (LW) correlation energy functional [15]. Two customary descriptions of the LW functional are introduced, both parametrized by the interaction potential and also, in one case, by the renormalized one-particle Green function [15] while the other uses the renormalized two-particle Green function [16, 17]. There follows an overview of Kraichnan’s construction for the *stu*/FLEX model, where we indicate significant features derived from the formalism. In Sec. III irreducibility in the exact expansion of the LW functional is discussed. Here Kraichnan is the tool, departing from standard approaches. Section IV is given over to the two-body description of the LW functional: the identity between static and dynamic structure factors becomes a point of contact, and inevitably of contrast, between *stu* and its parquet analog. We close with Sec. V summarizing our conclusions.

## II. ESSENTIALS

### A. Luttinger-Ward functional

We recapitulate the Kraichnan formalism's subject matter, the structure of the interacting ground state. To simplify the discussion we take a homogeneous system in the momentum-spin representation  $k$ , although the Kraichnan formalism works for any two-body interaction, uniform or not, at finite temperature or not [9, 10].

The standard system Hamiltonian comprises the one-body kinetic-energy part determined by the reference basis states. The kinetic energy does not play a direct role in the correlation analysis and is not considered further. We focus on the two-body interaction operator [18]:

$$H_i[V] = \frac{1}{2} \sum_{k_1 k_2 k_3 k_4} \langle k_1 k_2 | V | k_3 k_4 \rangle a_{k_1}^\dagger a_{k_2}^\dagger a_{k_3} a_{k_4} \quad (1)$$

The sum over states has the momentum and spin conservation restriction  $k_1 + k_2 = k_3 + k_4$ . We absorb a factor of inverse system volume into  $V$ , the interaction potential [18]. Indices  $k, q$ , etc. may address a single-particle phase space in more than one dimension.

Central to the development of conserving approximations and certainly to  $\Phi$ -derivable models possessing an explicit Hamiltonian, is the Luttinger-Ward (LW) functional: the component of the ground state energy (generally, the free energy) manifesting, and in one sense generating, its full interacting structure [15]. The LW functional provides the correlation energy in the ground state  $\psi_0$ , expressed as a Hellmann-Feynman coupling constant integral:

$$\Phi[V] \equiv \int_0^1 \frac{dz}{2z} \langle \psi_0 | zV | H_i[zV] | \psi_0 | zV \rangle. \quad (2)$$

There are two distinct but equivalent ways to describe the correlations in the LW functional. The approach closer to the analysis of Luttinger and Ward, extended to conserving approximations by Kadanoff and Baym [4, 5], addresses  $\Phi$  in terms of the fully renormalized one-body propagator and self-energy. Closer to parquet analysis in stressing two-body processes [1–3] is the theory of the pair correlation function in its static and dynamic forms; more particularly, its Fourier transform, the structure factor. We review the latter first.

#### 1. Pair-correlation description of $\Phi$

The following is based on Pines and Nozières [19]. In an interacting system the static structure factor measures the instantaneous correlation between a pair of constituent particles. Its formal definition is

$$S(q) \equiv N^{-1} \left( \langle \psi_0 | \rho_q^\dagger \rho_q | \psi_0 \rangle - \langle \psi_0 | \rho_0^\dagger \rho_0 | \psi_0 \rangle \delta_{0q} \right)$$

$$= N^{-1} \frac{\delta \Phi}{\delta V(-q)} - N \delta_{0q} \quad (3)$$

in which  $\rho_q \equiv \sum_k a_{k+q}^\dagger a_k$  generalizes the particle number operator [19] and  $N = \langle \psi_0 | \rho_0 | \psi_0 \rangle$  is the mean particle number. The LW functional has expression as a two-body object:

$$\Phi[V; S] = N \left( \int_0^1 \frac{dz}{2z} \sum_q zV(-q)S(q) + \frac{N}{2}V(0) \right). \quad (4)$$

The static structure factor is also the inverse Fourier transform, taken at equal times, of the particle-number autocorrelation  $S(q, \omega)$  in the frequency domain. As the response to a weak perturbation term  $\sim U\rho$  added to the Hamiltonian, the dynamic structure factor is determined by the departure from the unperturbed state:

$$S(q, \omega) \equiv \frac{1}{\pi} \frac{\delta(\rho[U] - \rho[0])}{\delta U(-q, -\omega)} \quad (5)$$

which yields the identity [19]

$$S(q) \equiv \frac{1}{N} \int_0^\infty d\omega S(q, \omega). \quad (6)$$

As an exact relation the importance of Eq. (6), being the nexus between the static form Eq. (4) and the dynamic form Eq. (5), will become apparent in the context of  $\Phi$ -derivable approximations and their quality of approach to the complete expansion. This identity is satisfied in iterative parquet theory by construction. In conserving approximations its consistent interpretation needs care, and we postpone this to Sec. IV. The relation could be used as a numerical fidelity check on such models, but its true significance is conceptual.

We go on to specify the LW functional in terms of the single-particle Green function, or propagator,  $G$  and its associated self-energy  $\Sigma$ . We follow Kadanoff and Baym [4, 5] and the original paper of Luttinger and Ward [15].

#### 2. One-body description of $\Phi$

The original form of the exact Luttinger-Ward functional [15] is also a coupling-constant integral, expressed in terms of renormalized one-body quantities:

$$\begin{aligned} \Phi[V] &\equiv \int_0^1 \frac{dz}{2z} G[zV] : \Sigma[zV; G] \\ &= \int_0^1 \frac{dz}{2z} G[zV] : \left( \Gamma[zV; G] : G[zV] \right); \end{aligned} \quad (7)$$

we explore the second right-hand-side expression shortly. Each dot on the right-hand side of Eq. (7) denotes an internal summation over momentum-energy and spin; in the Kraichnan representation below it will also denote a concurrent sum over an additional collective index.

As usual the Dyson equation defines the one-body

propagator  $G$  determining the LW functional:

$$G = G_0 + G_0 \cdot \Sigma[V; G] \cdot G. \quad (8)$$

In the momentum-energy representation the noninteracting propagator is  $G_0(k, \omega) \equiv (\omega - \varepsilon_k + \mu)^{-1}$  with  $\mu$  the Fermi energy. The Dyson equation is inherently self-consistent since the self-energy  $\Sigma$  is the variation of  $\Phi$  with respect to  $G$ :

$$\Sigma[V; G] \equiv \frac{\delta \Phi}{\delta G} = \Gamma[V; G] : G. \quad (9)$$

Although the abstract functional properties of  $\Phi$  have a nonperturbative development, either in terms of  $S$  and  $V$  [17] or of  $G$  and  $\Sigma$  [20, 21], Eqs. (7)–(9) would remain a computational tautology without some understanding of the LW functional’s diagrammatic provenance. For this, we recapitulate its basic graphical content.

(A) The structure  $(\Sigma - V) : G = S : V$  is the collection of all closed Feynman skeleton diagrams beyond Hartree, to every order in  $V$ . A skeleton diagram is one that cannot be cut into two disjoint parts by severing a pair of internal lines  $G$ . The coupling-constant integral Eq. (7) automatically generates the required combinatorial factors at every order of the interaction while the diagrammatic topology is fixed by the integrand  $\Sigma : G$ .

(B) Time translation invariance (global conservation of energy) implies that in the recursive form  $\Sigma[V; G] : G$  every line  $G$  is structurally equivalent to every other. Otherwise Eq. (9) could not yield a unique self-energy. A necessary condition is the equivalence of every bare line in every skeleton graph of  $\Phi$ .

(C)  $\Phi$  is invariant under particle pair exchange.

The two-body scattering kernel  $\Gamma$ , introduced in the second line of the definition of  $\Phi$ , Eq. (7), is central to comparing approximations to the correlation structure and the exact specification of  $\Phi$ . By nature of the exact state, and for the exact state *alone*,  $\Gamma$  carries every physically possible mode of interaction within the system, compatible with (A)–(C) above. The reason lies in the definition of the exact ground-state function  $\psi_0$  and its correlation energy in Eq. (2). It leads to the fourth basic principle underlying the full LW functional:

(D) the exact ground-state description is self-contained. No new interaction configuration, not already in the kernel  $\Gamma$ , can arise from the functional variation of the self-energy with  $G$ . That is,

$$\frac{\delta \Sigma[V; G]}{\delta G} = \Gamma[V; G]. \quad (10)$$

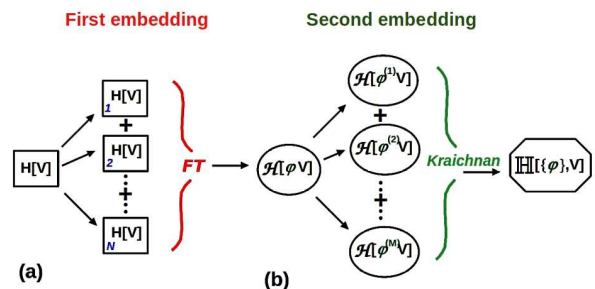
In approximation, Item (A) does not apply since only a subset of the LW functional’s complete diagrammatic content can ever be incorporated. While a  $\Phi$ -derivable

approximation still satisfies (B) and is normally expected to satisfy (C)—an exception is the random-phase approximation—violation of Eq. (10) is in principle inevitable and, at some level, places a qualitative limit on the reach of  $\Phi$  derivability.

The physical context for Kraichnan’s formalism has been set out. Now we recall its constitution.

## B. Kraichnan theory

Figure 1 summarizes the two-step process to arrive at an embedding of the physical Hamiltonian in an extended object that can be modified while preserving the Hermitian property of the original. After averaging over an arbitrarily large  $\mathcal{M}$ -fold distribution of stochastically defined coupling factors  $\varphi$ , the Kraichnan Hamiltonian selects, in a conserving fashion, all possible pairwise correlations within the exact diagrammatics of the LW functional. Denoting the exchange potential as  $\langle k_1 k_2 | V^{\text{ex}} | k_3 k_4 \rangle = \langle k_2 k_1 | V | k_3 k_4 \rangle$ , the interaction can be symmetrized:  $\bar{V} = \frac{1}{2}(V + \sigma V^{\text{ex}})$  where  $\sigma$  is  $-1$  for fermions and  $+1$  for bosons.



**FIG. 1.** Construction of the Kraichnan Hamiltonian. (a) The exact Hamiltonian is embedded first in an arbitrarily large sum of  $\mathcal{N}$  functionally identical but distinguishable copies, indexed by  $n = 1, 2, \dots, \mathcal{N}$ . A Fourier transform over the index is performed, generating a collective description. The interaction  $\langle k_1 k_2 | V | k_3 k_4 \rangle$  is augmented with a parameter  $\varphi_{\nu_1 \nu_2 | \nu_3 \nu_4}$  transforming in its Fourier indices  $\nu$  exactly as  $V$  does in its physical indices  $k$ . (b) The collective Hamiltonian is next embedded in an arbitrarily large sum of  $\mathcal{M}$  topologically identical replicas, except that each now carries a unique set of factors  $\varphi$ . The extended  $\mathcal{N}\mathcal{M}$ -sized Hamiltonian remains Hermitian. Setting  $\varphi$  to unity recovers the exact physical expectations. When the  $\varphi$  are tailored to be randomly assigned over the  $\mathcal{M}$ -fold ensemble of collective Hamiltonians, a selected subset of correlation diagrams is distinguished, whose total product of coupling factors is unity. Upon averaging over the stochastic distribution, random phasing suppresses everything else. All the canonical relationships valid for the underlying Hamiltonian remain valid in the reduced model.

Following the process outlined in Fig. 1 the interaction piece of a Kraichnan collective Hamiltonian, in which the form of Eq. (1) is now embedded, becomes distinguished by its assigned set of couplings  $\varphi_{\nu_1 \nu_2 | \nu_3 \nu_4}$  in the  $\mathcal{M}$ -fold

distribution

$$\mathcal{H}_{i;\mathcal{N}}^{\text{stu}}[\bar{V}\varphi] \equiv \frac{1}{2\mathcal{N}} \sum'_{\ell_1 \ell_2 \ell_3 \ell_4} \langle k_1 k_2 | \bar{V} | k_3 k_4 \rangle \varphi_{\nu_1 \nu_2 | \nu_3 \nu_4} \times a_{\ell_1}^\dagger a_{\ell_2}^\dagger a_{\ell_3} a_{\ell_4}. \quad (11)$$

The couplings may take a variety of configurations, as long as their symmetry on index permutation is identical to that of  $V$  in its physical indices. For our application, Eq. (11) is interpreted as follows:

- (1)  $\mathcal{N}$  is the number of distinguishable replicas of the physical Hamiltonian in the first embedding step;  $\mathcal{N} \rightarrow \infty$
- (2) The restriction  $\Sigma'$  on the sum now connotes conservation of the Kraichnan collective indices,  $\nu_1 + \nu_2 = \nu_3 + \nu_4$  (modulo  $\mathcal{N}$ ) as well as the physical conservation constraint on the momenta and spins,  $k_1 + k_2 = k_3 + k_4$ . We have conflated index and momentum-spin labels into the single form  $\ell \equiv (k, \nu)$ , so  $\ell_1 + \ell_2 = \ell_3 + \ell_4$  [22].
- (3) The collective creation and annihilation operators  $a_\ell^\dagger$  and  $a_\ell$  are defined by Fourier sums over the distinguishable system copies, each with its set of operators  $a_k^{(n)\dagger}$  and  $a_k^{(n)}$ :

$$a_\ell^\dagger \equiv \frac{1}{\sqrt{\mathcal{N}}} \sum_{n=1}^{\mathcal{N}} \exp(2\pi i \nu n / \mathcal{N}) a_k^{(n)\dagger}$$

and  $a_\ell \equiv \frac{1}{\sqrt{\mathcal{N}}} \sum_{n=1}^{\mathcal{N}} \exp(-2\pi i \nu n / \mathcal{N}) a_k^{(n)}$ .

- (4) The Kraichnan coupling (K-coupling)  $\varphi$  comprises the  $s$ ,  $t$  and  $u$  channels:

$$s: \quad \varsigma_{\nu_1 \nu_2 | \nu_3 \nu_4} \equiv \exp[\pi i (\xi_{\nu_1 \nu_2} - \xi_{\nu_3 \nu_4})];$$

$$\xi_{\nu \nu'} \in [-1, 1] \text{ and } \xi_{\nu' \nu} = \xi_{\nu \nu'},$$

$$t: \quad \tau_{\nu_1 \nu_2 | \nu_3 \nu_4} \equiv \exp[\pi i (\zeta_{\nu_1 \nu_4} + \zeta_{\nu_2 \nu_3})];$$

$$\zeta_{\nu \nu'} \in [-1, 1] \text{ and } \zeta_{\nu' \nu} = -\zeta_{\nu \nu'},$$

$$u: \quad \upsilon_{\nu_1 \nu_2 | \nu_3 \nu_4} \equiv \sigma \exp[\pi i (\vartheta_{\nu_1 \nu_3} + \vartheta_{\nu_2 \nu_4})];$$

$$\vartheta_{\nu \nu'} \in [-1, 1] \text{ and } \vartheta_{\nu' \nu} = -\vartheta_{\nu \nu'},$$

for

$$\varphi_{\nu_1 \nu_2 | \nu_3 \nu_4} \equiv 1 - (1 - \varsigma_{\nu_1 \nu_2 | \nu_3 \nu_4})(1 - \tau_{\nu_2 \nu_1 | \nu_3 \nu_4}) \times (1 - \sigma \upsilon_{\nu_1 \nu_2 | \nu_3 \nu_4}), \quad (12)$$

this form prevents overcounting of coincident graphs. The  $u$  channel has a label exchange relative to the definition of its physical exchange counterpart, the  $t$  channel; for later notational convenience we incorporate the exchange flag  $\sigma$  within  $\upsilon_{\nu_1 \nu_2 | \nu_3 \nu_4}$ . Label exchange leads to  $\tau_{\nu_2 \nu_1 | \nu_3 \nu_4} \equiv \sigma \tau_{\nu_1 \nu_2 | \nu_3 \nu_4}$  while  $\varphi_{\nu_1 \nu_2 | \nu_3 \nu_4} = \varphi_{\nu_2 \nu_1 | \nu_3 \nu_4}$  irrespective of  $\sigma$ .

- (5) We have included Bose statistics for generality. The rest of this work deals with fermions only, so

$\sigma = -1$ . For  $stu$  note also that

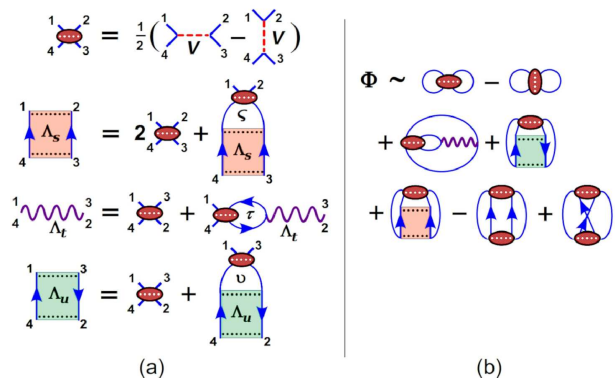
$$\varphi_{\nu \nu' | \nu' \nu} \equiv 1 \text{ for all } \nu, \nu', \quad (13)$$

an identity essential to the  $\Phi$ -derivable response analysis within Kraichnan's approach.

- (6) Finally, for the second embedding in the Kraichnan prescription, Fig. 1(b), the phase parameters  $\xi, \zeta$ , and  $\vartheta$  become elements of uniformly random distributions characterizing the  $stu$  model.

Channels  $s, t$ , and  $u$  are the sole possibilities for particle-particle or particle-antiparticle pair excitations. In terms of any system supporting pair interactions, this implies that the most general approximation based on an explicit model Hamiltonian, including all three possible pairwise modes, is Kraichnan's construct.

### C. Reduction of $\Phi$ by Kraichnan averaging



**FIG. 2.** (a) Definition of the primary all-order  $s, t$  and  $u$  interactions. Dark ovals: antisymmetrized potential  $\bar{V}$ ; lines in and out are one-body propagators. Kraichnan couplings from Eq. (12), each selecting for its channel, are shown. (b) Symbolic definition of  $\Phi$ , the LW correlation energy functional (combinatorial weightings [18] are understood) following the Kraichnan average over all K-couplings  $\varsigma, \tau, \upsilon$  according to Eq. (12) compensated for overcounting. While the skeleton graphs for  $\Phi$  appear simple, their complexity is hidden within the selfconsistent nesting of self-energy insertions in the one-body propagators. The  $stu$  topology is fully revealed only when the response to an external perturbation is extracted. Universality of the LW functional [20, 21] means that the topology of its constitutive diagrams in (b) is unaltered in moving the interaction from  $V$  to  $\bar{V}$ , as long as the Hamiltonian itself is invariant with respect to exchange. This does not affect the overall accounting, thus not the physics either.

Expectations on both sides of Eq. (2), over the stochastic distribution of K-couplings of Eq. (12), reduce the set of LW correlation terms to those in Fig. 2(b) with interaction kernels defined in 2(a). We will denote such expectations by  $\langle \dots \rangle_K$  as needed for clarity.

$$\langle \Phi[V] \rangle_K = \frac{1}{\mathcal{N}} \int_0^1 \frac{dz}{2z} \left\langle \langle \psi_0[zV\varphi] | \mathcal{H}_{i;\mathcal{N}}^{\text{stu}}[z\bar{V}\varphi] | \psi_0[zV\varphi] \rangle \right\rangle_K$$

$$\equiv \int_0^1 \frac{dz}{2z} G[zV] : \Lambda[zV; G] : G[zV] \quad (14)$$

where we have used the single-particle form of  $\Phi$ , Eq. (12). The renormalized propagator  $G$  remains defined selfconsistently by Dyson's equation, Eq. (8), now with the reduced two-body generating kernel  $\Lambda[V; G]$  of Fig. 2(a), comprising all allowed  $s$ -,  $t$ - and  $u$ -channel pairwise-only processes: namely, those whose K-coupling phases cancel identically and survive Kraichnan averaging.

We note two features. First, the dressed skeletons comprising  $\Phi$  are structured so each  $G$  line (including every recursively embedded  $G$ ) is functionally equivalent to every other. This renders  $\Sigma$  unique, preserving unitarity and global conservation. We will refer to this property as unitary symmetry. While unitary symmetry implies functional equivalence for every node  $\bar{V}$  in a valid skeleton, the inverse implication does not hold. Second, while  $\Lambda$  is unique to its approximate  $\Phi$ , the functional derivative  $\delta^2\Phi/\delta G\delta G$  turns out to generate new kernel structures beyond  $\Lambda$  itself; only in the exact case (other than Hartree-Fock, the simplest model possible) is condition (D) above true, that is, that  $\Lambda = \delta^2\Phi/\delta G\delta G$ .

The failure of (D) for  $\Lambda$  in the  $stu$ /FLEX model is the immediate source of its difference from parquet. Parquet has no K-coupling constraints and its equations admit a much richer convolution of intermediate scattering processes; but its greater flexibility forfeits contact with a well defined LW functional as systematic generator of its correlations. Unitary symmetry of an approximate LW functional, on the other hand, however essential to conservation in its  $\Phi$ -derivable model, cannot preserve crossing symmetry of the kernel  $\Lambda$ .

Kraichnan's Hamiltonian secures all the exact analytic identities for the reduced structures resulting from stochastic averaging. Every identity  $A = B$  depending on unitarity must hold for each collective Hamiltonian  $\mathcal{H}^{stu}[\bar{V}\varphi]$ , as for the exact one. Provided the K-coupling average is performed consistently on each side of such an identity, it follows that  $\langle A \rangle_K = \langle B \rangle_K$ .

#### D. Two-body Green function

Broadly speaking, the distinction between two-body processes in  $\Phi$  derivability and parquet is that the first yields a Bethe-Salpeter equation [18] for the particle-hole vertex of an excitation away from equilibrium in a strictly condensed system, where particle emission cannot occur. In parquet the adopted extension of Bethe-Salpeter does not make a particular distinction among particle-particle or particle-antiparticle interactions. Already this makes it clear that the first description carries constraints not necessarily imposed within the second account.

To extract canonically the  $\Phi$ -derivable parquet equations we start by probing the system with an external, formally nonlocal, potential  $\langle k'|U|k \rangle$  coupling physically to each member of the Kraichnan ensemble. It does not couple to the abstract collective indices defined over the

ensemble.

The two-body correlations unfold in their Green function like an expanding concertina and, like a concertina, their intrinsic topology does not change from its implicit assignment within  $\Phi$ . While the momentum-energy flow from the outside brings out the internal dynamical structure, the characteristic set of K-coupling factors is unchanged. What now changes in every two-body contribution is that, for each of an infinity of recursive possibilities, a given number of  $G$ s with nodes attached is singled out. This is Baym and Kadanoff's philosophy [4, 5] in Kraichnan terms.

In summary, the insertion of perturbation nodes has no effect on the assignment of collective indices and thus on the combinatorics of the K-couplings. The physical effect is only on energy-momentum transfer (also spin etc.).

The one-body perturbation augments the interaction Hamiltonian, Eq. (11):

$$\mathcal{H}_{i;\mathcal{N}}^{stu}[V\varphi; U] \equiv \sum_{l'l'} \langle k'|U|k \rangle a_{l'}^\dagger a_l + \mathcal{H}_{i;\mathcal{N}}^{stu}[V\varphi].$$

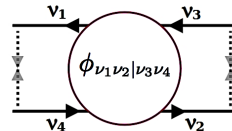
Response to a local field is generated by setting  $\langle k'|U|k \rangle \rightarrow U(q, \omega)\delta_{k', k+q}$ , dynamically linking (contracting) the particle-hole propagators that terminate and start at  $U$ .

Next we take physical expectations only, retaining the explicit K-couplings to keep track of all potential pair processes before Kraichnan averaging. We sketch the logic [12]. Repeated labels in our matrix notation imply intermediate summation. The two-body Green function is  $\delta G/\delta U$  [4]; note too that as  $U$  adds linearly to  $\Sigma$ , then  $\delta\Phi/\delta U = \delta\Phi/\delta\Sigma = G$  so  $\delta G/\delta U = \delta^2\Phi/\delta U\delta U$ .

Variation on both sides of the Dyson equation (7) now produces

$$\frac{\delta G(21)}{\delta U(56)} \equiv G(25)G(61) + G(21')G(2'1) \times \varphi_{\nu_1\nu_3|\nu_2\nu_4} \Lambda'(1'3|2'4) \frac{\delta G(43)}{\delta U(56)} \quad (15)$$

where  $\Lambda' \equiv \delta\Sigma/\delta G$  is explicitly accompanied by an effective K-coupling  $\varphi$ , as for Fig. 3.



**FIG. 3.** Index convention for a Kraichnan vertex, associating with it the nominal K-coupling  $\phi_{\nu_1\nu_2|\nu_3\nu_4}$ . A response term results when  $G$  lines are attached left and right and join at a perturbation node. The diagram contributes if and only if the internal sum of coupling phases cancels on connection to the effective K-coupling  $\phi_{\nu_1\nu_2|\nu_3\nu_4} \rightarrow \varphi_{\nu_1\nu_2|\nu_3\nu_4} \equiv 1$  as in Eq. (13). This construct manifests the same closed topology previously implicit in the unitary structure of  $\Phi$ .

In shorthand, with  $I$  the two-point identity matrix, the



Neumann series for  $\delta G/\delta U$  becomes

$$\begin{aligned} \frac{\delta G}{\delta U} &= [II - GG:\varphi\Lambda']^{-1}:GG \\ &= GG + GG:\varphi\Lambda':[II - GG:\varphi\Lambda']^{-1}:GG. \end{aligned} \quad (16)$$

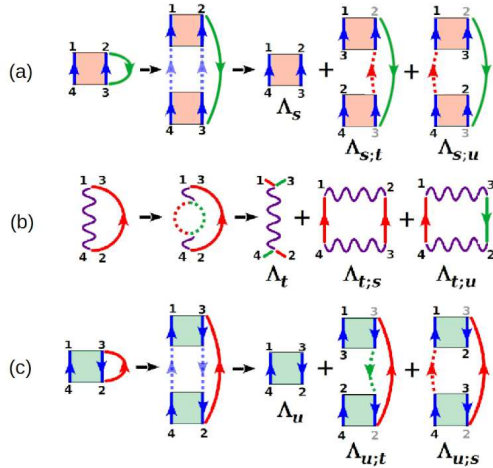
Recalling Fig. 2(a), the form of the generating kernel  $\Lambda$  can be read off in terms of the subsidiary kernels for each channel,  $\Lambda_s, \Lambda_t$  and  $\Lambda_u$ :

$$\Lambda = 2\bar{V} + \phi^{-1}(\bar{V}\zeta:GG:\varphi\Lambda_s + \bar{V}\tau:GG:\varphi\Lambda_t + \bar{V}v:GG:\varphi\Lambda_u)$$

$$\begin{aligned} \text{where } \Lambda_s &\equiv 2\bar{V} + \phi^{-1}\bar{V}\zeta:GG:\varphi\Lambda_s, \\ \Lambda_t &\equiv \bar{V} + \phi^{-1}\bar{V}\tau:GG:\varphi\Lambda_t, \\ \text{and } \Lambda_u &\equiv \bar{V} + \phi^{-1}\bar{V}v:GG:\varphi\Lambda_u. \end{aligned} \quad (17)$$

In the equation for  $\Lambda_s$  its leading (Hartree-Fock) term is  $2\bar{V}$  for proper weighting of the combined direct plus exchange particle-particle ladders. To depict all interactions on the same K-coupling-free footing as  $\bar{V}$  we write  $\phi$  for the latter's coupling, and factor it out; refer also to Fig. 3. Any surviving term's chain of K-couplings, whose phases cancel right across, must finally merge constructively with  $\phi^{-1}$ . For response, the open propagator indices are contracted along with their node-linked lines, according to Eq. (13). Figures 5 and 6 hold more details.

### E. Conservation in $\Phi$ derivability, and its cost



**FIG. 4.** Systematic removal of a propagator  $G$  internal to the self-energy  $\Sigma[\varphi\bar{V};G] = \Lambda : G$  after Kadanoff and Baym [4, 5]. This generates the primary  $stu$  scattering kernel  $\Lambda' = \delta^2\Phi/\delta G\delta G$ . Removing  $G(32)$ , solid line, simply regenerates  $\Lambda$ . Removing any internal  $G$  lines (dotted) other than  $G(32)$  yields the additional vertices required by microscopic conservation. (a) Beyond the  $s$ -channel ladder  $\Lambda_s$  the noncrossing symmetric  $t$ -like term  $\Lambda_{s;t}$  and  $u$ -term  $\Lambda_{s;u}$  are generated. (b) Generation of  $\Lambda_t$  and the nonsymmetric  $\Lambda_{t;s}$  and  $\Lambda_{t;u}$ . (c) Generation of  $\Lambda_u$  with  $\Lambda_{u;t}$  and  $\Lambda_{u;s}$ . No diagrammatic structure emerges that is not already incorporated recursively in the renormalized propagators within  $\Phi$ .

We face the inevitable outcome of every  $\Phi$ -derivable model: unlike Item (D) for the exact theory, the response kernel  $\Lambda' = \delta\Sigma/\delta G$  carries new terms beyond  $\Lambda$ . The process is shown graphically in Fig. 4. These apparently extraneous vertices are essential to the conservation in the two-body Green function  $\delta G/\delta U$  but are no longer crossing symmetric and therefore cannot contribute to the parquet scattering amplitude, conventionally understood. [8, 14].

From Eq. (16) the complete four-point kernel is defined:

$$\Gamma' \equiv \phi^{-1}\Lambda'\varphi:[II - GG:\varphi\Lambda']^{-1}. \quad (18)$$

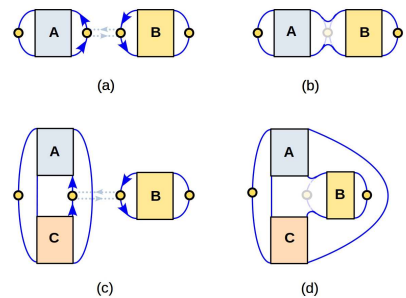
The conserving two-body Green function becomes

$$\frac{\delta G}{\delta U} = GG:[II + \varphi\Gamma':GG]. \quad (19)$$

Our task now is to show the equivalence between the system of Equations (16) to (19) on the one hand and, on the other, the coupled parquet equations emerging from the Kraichnan formalism. Derivation of the latter involves a restricted subset of standard minimal parquet (MP), whose sole input to bootstrapping the equations is  $\bar{V}$ , the fundamental irreducible kernel [14].

The K-coupling constraints make a radical change to the physical content of the parquet equations'  $\Phi$ -derivable form, in contrast with their conventional presentation. Before deriving them we clarify the one-to-one correspondence between the Baym-Kadanoff and Kraichnan interpretations of response.

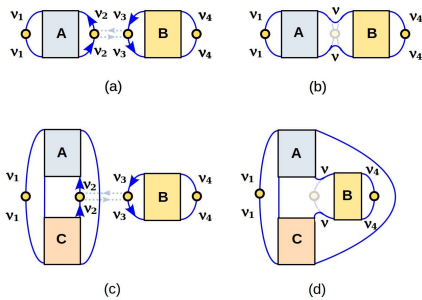
### F. $\Phi$ derivability à la Kraichnan



**FIG. 5.** Recursive construction of response kernel within  $\Phi$  derivability. Dots: external perturbation nodes. (a) Two contributions A and B to the particle-hole response function combine into (b), a new contribution. Graphs (c) and (d) show a more complex combination with a third allowed contribution C. In the response description Eq. (15), the system cannot tell a direct perturbation from one that is induced, so a perturbation node may be freely replaced with an induced perturbation. Fusion of the response terms produces a new contribution to the total. In the process the internal topology of the resultant response, virtual within the renormalization of  $\Phi$ , becomes manifest. All the kernel parts in Fig. 4 are

recursively convolved in this way.

In Fig. 5 we illustrate how the standard Baym-Kadanoff derivation implements the total system response as the sum of the direct response to the external perturbation and all the nonequilibrium fluctuations induced by it within the correlated system. Since the component particles cannot distinguish between direct and induced disturbances, the response to every such dynamical stimulus is highly selfconsistent. It follows that the primitive components of the response become convolved, as in Fig. 5, leading to the systematic cascade of contributions implemented in Eq. (15).



**FIG. 6.** Recursion of response kernel in the Kraichnan approach, functionally equivalent to Fig. 5. Terms (a) and (c) go to (b) and (d) respectively; their fusion is now dictated by index-sum conservation across interaction vertices and, more simply, across the bounding one-body perturbation nodes. This induces systematic cancellation of the Kraichnan phases encoding the internal structure of all valid (not randomly phased) propagator loops. The outcome is identical to the  $\Phi$ -derivable structure of Fig. 5 and retains the exact topology of all contributions to the response, unchanged from within the selfconsistency of  $\Phi$ .

Construction of the response within Kraichnan's canonical formulation is expressed differently but describes the very same processes as the more heuristic  $\Phi$ -derivable description. The rules, analogous to physical conservation, are (i) conservation of incoming and outgoing index sums across any pair-scattering amplitude (alongside conservation of momentum) and (ii) conservation of index across any perturbation node. Figure 6 replicates Fig. 5 in these terms. An alternative criterion for a candidate response term is whether it can be recollapsed to a diagram of  $\Phi$ .

### G. $\Phi$ -derivable parquet

Within the *stu* approximation, Eq. (19) contains all conserving dynamical processes involving two-body propagation between interactions. Its form, however, obscures the distinct action of the three channels *s*, *t* and *u*, as evidenced in classic parquet. To recast Eq. (19) and reveal its parquet-like architecture, we review the derivation by K-coupling analysis.

To the bare potential  $\bar{V}$  as the primary irreducible starting term, the extra noncrossing symmetric term

$\Lambda'' \equiv \Lambda' - \Lambda$  has to be added. These terms could not appear in normal parquet as they violate crossing symmetry. By contrast *stu* requires  $\Lambda''$  to maintain conservation for its response functions. Let

$$\mathcal{V} \equiv \bar{V} + \Lambda''. \quad (20)$$

Three auxiliary kernels are defined. Each is irreducible in the channel for which it is the input. Each carries only terms that do not propagate directly in the given channel. That is, the kernel's terms can be split only by cutting *GG* pairs propagating in the other two channels.

The auxiliary kernels drive the equation for the complete vertex  $\Gamma'$ , fed into the two-body Green function in Eq. (19). When contracting this to obtain the response, stochastic averaging of product sequences of K-couplings keeps those terms compatible with unitarity.

The *s*-, *t*- and *u*-irreducible auxiliary kernels are

$$\begin{aligned} \Gamma'_s &\equiv \bar{V} + \mathcal{V} + \phi^{-1}(\Gamma'\tau:GG:\varphi\Gamma'_t + \Gamma'v:GG:\varphi\Gamma'_u); \\ \Gamma'_t &\equiv \mathcal{V} + \phi^{-1}(\Gamma'v:GG:\varphi\Gamma'_u + \Gamma'\zeta:GG:\varphi\Gamma'_s); \\ \Gamma'_u &\equiv \mathcal{V} + \phi^{-1}(\Gamma'\zeta:GG:\varphi\Gamma'_s + \Gamma'\tau:GG:\varphi\Gamma'_t) \end{aligned} \quad (21)$$

which combine to yield the complete response kernel [23]:

$$\Gamma' = \bar{V} + \mathcal{V} + \phi^{-1}(\Gamma'\zeta:GG:\varphi\Gamma'_s + \Gamma'\tau:GG:\varphi\Gamma'_t + \Gamma'v:GG:\varphi\Gamma'_u). \quad (22)$$

There is a subtle procedural distinction between the Kraichnan perspective of Eqs. (21) and (22) and the Kadanoff-Baym one of Eq. (19). The latter starts from an already approximate form for the LW functional and proceeds strictly within its recursive make-up, Fig. 5. In the former approach, everything stays exact prior to stochastic averaging. However, in our derivation of the parquet equations we have quietly neglected every contribution that is not pairwise linked in the full collective Kraichnan LW functional. The *a posteriori* justification is that, in any case, stochastic averaging projects out all the pairwise *stu* correlations, and those alone.

As long as the K-couplings remain manifestly in place before averaging, Eqs. (21) and (22) are formally one-to-one with the standard parquet specification [14]. Indeed, setting all K-couplings to unity yields the generic parquet equations. All terms are kept, but without the conserving systematics of the Kraichnan analysis. This is elaborated in the next Section.

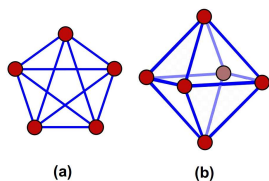
In  $\Phi$ -derivable models  $\Gamma'$  is not an end in itself. The closure procedure in Fig. 6, tied to the perturbation nodes (isolating specific propagators from the iterated skeletal structure), is regulated by the outermost K-coupling  $\phi$ . The presence of this overarching constraint says that the open links in the vertices of Eq. (22) have a different role in  $\Phi$  derivability from their unconstrained analogs in standard parquet, with its S-matrix view.

Crossing symmetry does not play a direct role in response; it shapes the two-body kernel in the abstract, consistent with Pauli exclusion but not immediately connected to distilling response from the two-body Green function. Probing a condensed, closed system involves

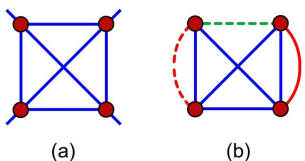
the excitation of particle-hole pairs, not particle-particle, and so is insensitive to indistinguishability. An example of a manifestly noncrossing symmetric but still physically justifiable  $\Phi$ -derivable model is the random-phase approximation [19].

### III. IRREDUCIBILITY AND EXACT PARQUET

A Hamiltonian free of all  $stu$  correlations would have a Luttinger-Ward functional free of all the skeleton diagrams generated by  $\mathcal{H}^{\text{stu}}$ . Such a complementary structure includes all “primitively” irreducible skeletons with unitary symmetry. In these, no two interaction nodes are connected by propagator twins [24]. Alternatively, detaching a single node is the only way to split such a diagram into two disjoint parts.



**FIG. 7.** (a) Fifth-order primitively irreducible contribution to  $\Phi$  and (b), sixth-order term. Nodes are interactions, lines are propagators. These are the next leading irreducibles beyond  $G : \bar{V} : G$  that could contribute to the LW functional.



**FIG. 8.** (a) Crossing symmetric irreducible parquet structure of next order beyond  $\bar{V}$ . (b) The only possible closed ground-state graph corresponding to (a) contains inequivalent single-particle propagators (dashed lines) and is thus not a term in the LW functional  $\Phi$ .

Two primitively irreducible graphs with unitary symmetry appear in Fig. 7; these, however, lead to noncrossing symmetric vertices analogous to  $\Lambda''$ . Another irreducible graph is in Fig. 8(b); its lack of unitary symmetry means it does not appear in the LW functional.

Selection of all the terms of the exact LW functional beyond  $stu$  is governed by the K-coupling complementary to  $\varphi$ : namely,  $\bar{\varphi} = 1 - \varphi$ . Contributions to the corresponding LW functional  $\Phi^{\text{cmp}}$  include all the absolutely irreducible terms to all orders in  $\bar{V}$  beyond the Hartree-Fock diagrams within  $stu$ . Propagation via intermediate pairs  $GG$  is implicit in the self-energy insertions, to reemerge in the two-body Green function as in Eq. (18).

For uniformity in notation, as needed, we can modify  $\bar{\varphi}$  as follows. Consider a typical K-coupling  $\varphi_{\nu_1\nu_2|\nu_3\nu_4}$  and associate with it the K-coupling  $\varphi' \equiv \varphi_{\nu_1\nu_2|\nu_2\nu_1}$ , which from Eq. (13) is identically unity. With no loss of generality we can always write  $\bar{\varphi} = \varphi' - \varphi$ , letting us treat both K-couplings and “anticouplings” on an identical footing.

In constructing  $\Phi^{\text{cmp}}$  we note that its kernel, call it

$\Xi$ , plays the role of  $\Lambda$  but now replicates all primitive irreducible skeletons from the exact LW functional except  $G : \bar{V} : G$  since, by construction, pairwise connected  $stu$  terms are excluded. While it is intuitively obvious that  $stu$  terms cannot appear among the skeletons of  $\Phi^{\text{cmp}}$ , the Appendix shows it directly.

The complementary extended Hamiltonian is

$$\mathcal{H}_{i;\mathcal{N}}^{\text{cmp}}[\bar{V}\bar{\varphi}] \equiv \frac{1}{2\mathcal{N}} \sum_{\ell_1\ell_2\ell_3\ell_4} \langle k_1k_2|\bar{V}|k_3k_4 \rangle \bar{\varphi}_{\nu_1\nu_2|\nu_3\nu_4} \times a_{\ell_1}^\dagger a_{\ell_2}^\dagger a_{\ell_3} a_{\ell_4}$$

$$\text{where } \bar{\varphi}_{\nu_1\nu_2|\nu_3\nu_4} = \bar{\zeta}_{\nu_1\nu_2|\nu_3\nu_4} \bar{\tau}_{\nu_1\nu_2|\nu_3\nu_4} \bar{v}_{\nu_1\nu_2|\nu_3\nu_4}$$

for  $\bar{\zeta} \equiv 1 - \zeta$ ,  $\bar{\tau} \equiv 1 - \tau$  and  $\bar{v} = 1 + v$ . After Kraichnan averaging this leads to the definition of the complementary LW functional

$$\Phi^{\text{cmp}}[V; G] \equiv \int_0^1 \frac{dz}{2z} G : \Xi[zV; G] : G \quad (23)$$

where  $G$  is renormalized in keeping with the reduced diagrammatics of this model. The counterparts to Eqs. (18) and (19) apply, with the kernel  $\Xi' = \delta^2 \Phi^{\text{cmp}} / \delta G \delta G$  irreducible, though not crossing symmetric.

#### A. Exact LW functional: Kraichnan expansion

In the Kraichnan picture the exact Hamiltonian may be resolved as

$$\mathcal{H}_{i;\mathcal{N}}[\bar{V}] \equiv \mathcal{H}_{i;\mathcal{N}}^{\text{stu}}[\bar{V}\varphi] + \mathcal{H}_{i;\mathcal{N}}^{\text{cmp}}[\bar{V}\bar{\varphi}]. \quad (24)$$

K-coupling expectations, jointly taken for  $\mathcal{H}_{i;\mathcal{N}}^{\text{stu}}[\bar{V}\varphi]$  and  $\mathcal{H}_{i;\mathcal{N}}^{\text{cmp}}[\bar{V}\bar{\varphi}]$ , recover the exact form of  $\Phi$  because every closed graph with unitary symmetry, suppressed by random-phase averaging in the  $stu$  Hamiltonian term, is restored on averaging the complementary Hamiltonian (but crucially now in the presence of the  $stu$  dynamics). From Eq. (24) the resulting LW functional is independent of the choice of K-coupling.

Write  $\Phi^{\text{stu}}$  for the  $stu$  functional defined in Eq. (14). The exact LW correlation functional becomes

$$\begin{aligned} \Phi[V; G] &= \Phi^{\text{stu}}[V; G] + \Phi^{\text{cmp}}[V; G] \\ &\equiv \int_0^1 \frac{dz}{2z} G : \Gamma[zV; G] : G \end{aligned}$$

$$\text{where } \Gamma[V; G] = \Lambda[V; G] + \Xi[V; G]. \quad (25)$$

The propagator is determined by Eqs. (7) and (8) with the exact self-energy generated by  $\Phi^{\text{stu}}$  and  $\Phi^{\text{cmp}}$  acting in synergy. That is,  $\Sigma \equiv (\Lambda + \Xi) : G$ .

The exact kernel  $\Gamma$  is complete to all orders in  $V$ . It supports every permissible skeleton diagram with unitary symmetry, primitively irreducible or not. Unlike a  $\Phi$ -derivable approximation, no new two-body vertex can be



generated that is not explicitly represented in

$$\Gamma = \frac{\delta^2 \Phi}{\delta G \delta G} \equiv \Lambda' + \Xi' = \Lambda + \Xi + \Lambda'' + \Xi''. \quad (26)$$

The full kernel is already the sum of the mutually coupled  $\Lambda$  and  $\Xi$ . It is naturally conserving but its separate complements are not; taken independently as approximations, they would conserve only when augmented with their accompanying noncrossing symmetric pieces  $\Lambda''$  and  $\Xi''$  and their own properly selfconsistent propagators; but the exact context of Eq. (26) for the kernels implies

$$\Lambda'' + \Xi'' = 0. \quad (27)$$

and therefore that what were individually the noncrossing symmetric components of the two partial kernels are now absorbed into  $\Gamma$  in a crossing symmetric partnership.

A conceptual difference between parquet and  $\Phi$  derivability is that the latter is uniquely characterized by the consistency of its response architecture, in keeping with the processes of the equivalent Figs. 5 and 6. Extraction of the scattering amplitude is secondary; Kadanoff and Baym describe  $\Phi$  derivability in terms of the primary two-body Green function [4, 5]. The two-body Green function is not predicated on defining its kernel *a priori*, as in the parquet approach which is not tied to final closure of its four-point amplitudes. Equation (27) tells us that the noncrossing symmetric, nevertheless valid, diagrams emerging from the separate  $\Phi^{\text{stu}}$  and  $\Phi^{\text{cmp}}$  find their symmetry restoring exchange counterparts emerging from within the full  $\Phi$ . No residual is left out of  $\Gamma$ .

### B. Unitary symmetry is incomplete in $\Phi$ derivability

Equation (27) helps to interpret the status of the noncrossing symmetric kernel  $\Lambda''$  from Fig. 4, as a subset of the more complete form of  $\Lambda''$  above. It might have been conceivable that some other all-order complement within  $\Xi''$  could reinstate its crossing symmetry. Instead, all noncrossing symmetric kernels from *stu* encounter their complementary exchange counterparts as both become incorporated in the body of the now differently renormalized  $\Gamma$ . See also Fig. 10 in the Appendix and its accompanying discussion.

In any reduced  $\Phi$ -derivable model, the nonsymmetric graphs are tied to that approximation. They are still crucial to conservation because, albeit model-specific, they must do the work of structures that the correlation physics requires but which are suppressed in the Kraichnan averaging. The ‘‘hole’’ thus left in the diagrammatics is partly healed by inbuilt selfconsistency, engineered to conserve. The contribution of self-energy corrections is also a critical factor in the conserving response [12] and for transport [25]; we do not address it here.

For approximations amenable to Kraichnan (finite-order models, without a Hamiltonian, are also valid [4, 5]), conservation is canonical: secured through uni-

tary symmetry of the individual graphs of the model  $\Phi$ . The appearance of the noncrossing symmetric graphs in  $\Lambda''$  from Fig. 4, however, reveals that unitary symmetry of the structure  $G : \Lambda[V; G] : G$  is partial.

By partial unitary symmetry we intend the following. At minimum, every  $G$  in the graphs of  $\Phi$ , including each line recursively inserted at all levels, is structurally equivalent to every other, but this cannot ensure that every arbitrary *pair*  $GG$  likewise sees the identical interaction vertex as its topological environment. Were it so,  $\delta^2 \Phi / \delta G \delta G$  would recover  $\Lambda$ , not  $\Lambda + \Lambda''$  as it does (apart from Hartree-Fock’s  $G : \bar{V} : G$  where, in any case, the derived total kernel  $\Gamma$  fails crossing symmetry).

One can conclude that unitary symmetry at the two-body level holds only in the exact expansion [6–8]. The inference is that unitary symmetry at that level is not possible in a  $\Phi$ -derivable model representing a proper subset of the whole ground-state correlation structure.

On the other side of the argument, iterating a model self-energy and crossing symmetric kernel to bootstrap them jointly and satisfy  $\delta \Sigma / \delta G = \Gamma$ , as in parquet theory, does not invoke, and cannot lead to, a well defined LW functional. Such a strategy is unable automatically to meet the need for a form of  $\Phi$  that is time translation invariant. Moreover every nontrivial  $\delta \Sigma / \delta G$  except the exact variation invariably regenerates noncrossing symmetric terms [14] that could only be culled *ad hoc*.

### C. Exact parquet for the ground state

The Kraichnan formalism rearranges the exact Hamiltonian into pairwise and pairwise-free parts. As expressed in the LW functional the second part is absolutely irreducible unlike the first which, on the other hand, exhibits all three possible templates for composite pair-reducible excitations. One can account explicitly for all such topologies, in all combinations occurring in the exact kernel  $\Gamma$ , by returning to Eqs. (21) and (22). Enlarge Eq. (20) to

$$\mathcal{V} \equiv \bar{V} + \Lambda'' + \Xi + \Xi'' = \bar{V} + \Xi[\bar{V}\bar{\varphi}]$$

emphasizing that  $\Xi$  has to carry the anticoupling  $\bar{\varphi} = \varphi' - \varphi$ .

In exact form the parquet equations must admit both K-couplings and anticouplings, unlike their *stu* version. Define  $\hat{\varphi} \equiv \bar{\varphi} + \varphi$ , and similarly for the individual pairing channels:  $\hat{\zeta} \equiv \bar{\zeta} + \zeta$ ,  $\hat{\tau} \equiv \bar{\tau} + \tau$  and  $\hat{v} \equiv \bar{v} - v$ . Even though these quantities are numerically unity, their partitioning allows resolution of the complete kernel into pairwise reducible and irreducible parts, with all valid components of each type coupling in all possible structural combinations subject only to index conservation and the stochastic rules. Written in pairwise-selective mode within Kraichnan’s rubric, our parquet equations take the expanded form

$$\Gamma_s = 2\bar{V} + \Xi[\bar{V}\bar{\varphi}] + \hat{\phi}^{-1}(\Gamma\hat{\tau} : GG : \hat{\varphi}\Gamma_t + \Gamma\hat{v} : GG : \hat{\varphi}\Gamma_u);$$

$$\begin{aligned}\Gamma_t &= \bar{V} + \Xi[\bar{V}\bar{\varphi}] + \hat{\phi}^{-1}(\Gamma\hat{v} : GG : \hat{\varphi}\Gamma_u + \Gamma\hat{\zeta} : GG : \hat{\varphi}\Gamma_s); \\ \Gamma_u &= \bar{V} + \Xi[\bar{V}\bar{\varphi}] + \hat{\phi}^{-1}(\Gamma\hat{\zeta} : GG : \hat{\varphi}\Gamma_s + \Gamma\hat{\tau} : GG : \hat{\varphi}\Gamma_t)\end{aligned}\quad (28)$$

$$\text{with } \Gamma \equiv 2\bar{V} + \Xi[\bar{V}\bar{\varphi}] + \hat{\phi}^{-1}(\Gamma\hat{\zeta} : GG : \hat{\varphi}\Gamma_s + \Gamma\hat{\tau} : GG : \hat{\varphi}\Gamma_t + \Gamma\hat{v} : GG : \hat{\varphi}\Gamma_u)$$

$$\text{so } \Lambda = 2\bar{V} + \hat{\phi}^{-1}(\Gamma\hat{\zeta} : GG : \hat{\varphi}\Gamma_s + \Gamma\hat{\tau} : GG : \hat{\varphi}\Gamma_t + \Gamma\hat{v} : GG : \hat{\varphi}\Gamma_u). \quad (29)$$

Owing to  $\Xi[\bar{V}\bar{\varphi}]$ , which is missing in the minimal *stu* described in Fig. 2, we see how immeasurably more complex  $\Lambda$  becomes in the full version, compared to Eq. (17).

The Kraichnan analysis of the exact ground state has enabled insight into those terms in  $\Phi$ -derivable models that inevitably violate crossing symmetry. We apply the same diagnostics to standard parquet theory.

#### D. Standard parquet cannot describe the ground state

There is an issue. It is whether there exists a difference between (a) the canonical formulation via the exact Equations (28) and (29) and (b) the standard parquet version, where both K-couplings  $\varphi$  and anticouplings  $\bar{\varphi}$  are omitted and the distinction among parquet channels is then purely through the particular momentum-flow configurations of the three possible  $GG$  pairs.

One property shared by both versions is crossing symmetry. The other property, conservation, is automatic for the Kraichnan expression. A difference means that there would be diagrams of standard parquet not conformant with unitarity (conservation), even in its maximal form encompassing all primitive irreducibles. In that case parquet might still describe a correlated state (or states), but not the ground state.

The difference is real. The exact Hamiltonian is independent of the K-couplings. Therefore so is  $\Phi$ . Two choices for  $\varphi$  illustrate the point.

- If we choose  $\varsigma = \tau = -\nu = 1$  we must set  $\bar{\varphi} = 0$ . Then  $\Xi$  is zero and  $\Lambda = \Gamma$ . Equations (28) and (29) beg the question since the complete set of correlations is now determined *a priori* by the input from  $\Gamma$ , on whose full content we have no purchase.
- Choosing  $\varsigma = \tau = \nu = 0$  forces  $\bar{\varphi} = 1$ . In Eq. (25)  $\Lambda$  is absent and  $\Xi = \Gamma$ , carrying everything for the exact problem: the irreducibles and all their pairwise iterations.

It follows from the above that the expression for  $\Lambda$  in Eq. (29) must vanish. This places a constraint on  $\Gamma$  not foreseen within conventional parquet, although both versions of the constitutive equations for  $\Gamma$  are then formally identical.

From the standpoint of the exact ground state and its excitations, what is *not* legitimate is the heuristic practice of retaining terms of  $\Xi$  and the momentum-energy

summations in Eqs. (28) and (29) but effectively setting  $\varphi = \bar{\varphi} = 1$  in them. This is inconsistent; it breaks the invariance of the Hamiltonian by neglecting the anticorrelation between the pair-irreducible  $\Xi$  and the reducible  $\Lambda$ . For the specific choice  $\varphi = 0$ , the anticorrelation becomes encoded in the condition  $\Lambda = 0$ .

Standard parquet theory is thus not a theory of the ground state. Returning to Eq. (24) for the exact Hamiltonian, setting  $\varphi = \bar{\varphi} = 1$  in it merely doubles the interaction scale with no change either to  $\mathcal{H}_{i,\mathcal{N}}$  or to its LW functional, Eq. (25). However, the parquet equations by their makeup impose a very particular selectivity on the components for  $\Gamma$ . Such a selectivity should respect the global unitarity of  $\Phi$ . That is the role of Eqs. (28) and (29). What one finds is not an artefact but something inherent to the ground-state structure, made manifest through the Kraichnan analysis via *stu* and its complement.

Certain vertex elements valid in standard parquet are inadmissible not only in the ground-state description but also away from equilibrium when perturbing the system. This need not imply that such structures lack an interpretation for states inhabiting a larger Hilbert space than one defined for a condensed system, with its topologically confined basis states. The system and its diagrammatics would then be open, its boundary conditions being pushed back to infinity.

A  $\Phi$ -incompatible but Feynman-compatible parquet diagram is the fourth-order graph of Fig. 8(a). It is a legitimate pair-irreducible two-body scattering vertex provided its free links are not closed. As soon as they are tied to two propagator lines as in Fig. 8(b), one gets a  $\Phi$ -like skeleton that fails to have unitary symmetry and cannot belong to the LW functional expansion.

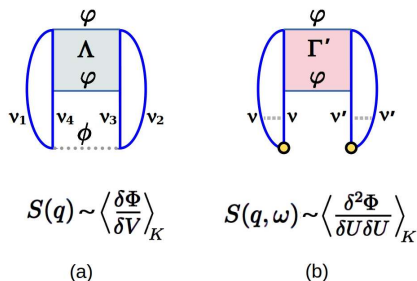
The suggestion is that if the diagram of Fig. 8(a) does not close but its links connect to four (not two) asymptotically unconstrained initial and final particle states, it represents a real physical scattering process. The same might be posited for other structures in the renormalized transition matrix  $\Gamma$  of conventional parquet theory. Global conservation takes on a different cast from ground-state problems: open scattering may be inelastic, although failure of unitarity in elastic scattering may remain a basic problem [6]. The criteria of fidelity might include an appropriate optical theorem [26] and the forward-scattering sum rule [27].

## IV. TWO-BODY CONSISTENCY

We have explored the *stu*/FLEX model in its Kraichnan setting through the dressed-single-particle language of Kadanoff and Baym [4, 5] after the strict diagrammatics of Luttinger and Ward [15]. To probe  $\Phi$  derivability from a perspective conceptually closer to parquet theory, we switch to the analysis in terms of two-particle processes, exemplified by the structure factor and in particular by Eq. (4) in Sec. II. There we reviewed the role of the two-body Green function in structuring the

exact Luttinger-Ward functional; here we take it up in the setting of a conserving approximation. This leads to reevaluation of the relation between static (more properly, equal-times) and dynamic response functions [19].

An attribute of constructive parquet theory is that it can build up its irreducible kernel, mimicking  $\Xi$ , by iteratively grafting an additional correlation  $V : GG$  so its self-energy  $(\Gamma - \bar{V}) : G$  is replaced by hand with  $(V : GG : \Gamma) : G$  but avoiding replication of pairwise terms already generated via the parquet equations; here one is generating new primitive irreducibles. Then  $\delta\Sigma/\delta G$  is recalculated; old and new crossing symmetric terms are retained to form a new  $\Xi$ . The noncrossing symmetric terms, appearing here just as inevitably as in  $\Phi$  derivability, are discarded. The parquet equations are solved again for a new  $\Gamma$ . Details can be found in the review by Bickers [14]. Parquet ensures that its  $\Lambda$  and  $\Gamma'$ , or more accurately  $\Gamma$ , converge to the same crossing symmetric object in both Fig. 9(a) and 9(b).



**FIG. 9.** Two views on two-body diagrammatics, contrasted. (a) Generation of the static structure factor  $S(q)$  through removal of one interaction line from  $\Phi$ . In the *stu* model the original K-coupling  $\phi$ , concomitant with  $V$ , is unaffected. It stays convolved with the internal couplings  $\varphi$  through the collective indices. A Kraichnan averaging yields the primary *stu* kernel  $\Lambda$  of Fig. 2(a), defining  $S(q)$  from Eqs. (3) and (14). (b) Generation of the dynamic structure factor  $S(q, \omega)$  under an external perturbation. The collective-index rules allow for a larger set of terms in the response of the total kernel  $\Gamma'$ , Eq. (18). In the exact expansion  $\Gamma' = \Gamma = \Lambda$  and  $S(q)$  is identical with the frequency integral of  $S(q, \omega)$  in Eq. (6). In a  $\Phi$ -derivable approximation (b) does not replicate (a). By contrast in parquet theory  $\Gamma$  is iterated heuristically to redefine  $\Lambda$  [14], bootstrapping the self-energy  $\Gamma : G$  until convergence.

Time translation invariance of the  $\Phi$ -derivable ground-state description implies that if  $\Lambda$  were to replace  $\Gamma'$  in Fig. 9(b) to define an object that we may call  $S_\Lambda(q, \omega)$ , then trivially its inverse Fourier at equal times is

$$S(q) = \frac{1}{N} \int_0^\infty d\omega S_\Lambda(q, \omega).$$

Similarly, if we replace  $\Lambda$  in Fig. 9(a) with  $\Gamma'$  and call this object  $S_{\Gamma'}(q)$ , then

$$S_{\Gamma'}(q) = \frac{1}{N} \int_0^\infty d\omega S(q, \omega).$$

Consistency in a  $\Phi$ -derivable calculation precludes confusing  $S_{\Gamma'}(q)$  with the proper  $S(q)$  defined as indicated in Fig. 9(a), and confusing  $S_\Lambda(q, \omega)$  with the proper  $S(q, \omega)$  defined in accordance with 9(b). For iterative parquet there may not be an ambiguity; but this is moot in view of standard parquet's violation of conservation.

## V. SUMMARY

We have revisited the basics of diagrammatic expansions for the strongly interacting ground state, to present a different perspective on the incompatibility between two established methods of perturbative resummation: parquet theory and  $\Phi$  derivability. In the wake of the surprising demonstration of incompatibility [6–8] it is natural to ask whether there is more to understanding the nature of this peculiar conflict. Ideally, one would want to probe what is intrinsic to the exact expansion that imposes such conceptual bounds upon its approximations. This deeper question is yet to be addressed.

Kraichnan's stochastically embedded Hamiltonian technique was applied to isolate further some of the structural features of  $\Phi$ -derivable and parquet expansions. In particular, resolving the exact Hamiltonian with this machinery lets one draw a clear distinction between the standard parquet approach to its equations, which is heuristic, and a canonical approach that leaves intact the structure of the exact LW functional.

We showed how the parquet expansion must introduce into the ground-state structure terms that are inconsistent with unitarity (time translation invariance) derived from the Hermitian property of the system's Hamiltonian. The excess diagrams may, however, play a legitimate role in states where the asymptotics go beyond those of a strictly condensed assembly of particles.

Our other main result reinforces existing findings by showing that the way in which  $\Phi$ -derivable models are constituted means inevitably that time translation invariance is respected only at the one-body level in the resulting LW functional. That is sufficient to build a conserving response description away from equilibrium but not enough to secure crossing symmetry, which in turn requires unitary symmetry at the two-body level. This makes sense since as far as Pauli exclusion goes, "it takes two to tango".

These two results can be attributed to one phenomenon: entanglement. Neither  $\Phi$  derivability nor parquet deals completely with the mutual entanglement of the sectors  $\Lambda$  and  $\Xi$ , in our Kraichnan-inspired terminology.  $\Phi$  derivability underplays entanglement; parquet appears, if anything, to overdo it. How it is that pair processes really interact with purely irreducible ones is outside the analytic capacities of both types of approach. It is hard to avoid the suspicion that crossing symmetry in  $\Phi$  is underwritten by the elusive interplay of  $\Lambda$  and  $\Xi$ , or at least between the *stu* Kraichnan coupling and its complement. Filtering out *stu* from non-*stu* terms captures crucial pairing phenomena to great effect, but

may miss higher-order phenomena whose relevance (so far) remains unknown.

It is fair to ask what Kraichnan's stochastics has actually to do with the diagrammatic makeup of the exact ground state. The answer is not its random phasing strategy but its guarantee: through its well formed Hamiltonian, it selects physically significant subsets of terms whose origin from the exact Luttinger-Ward functional ensures the equivalence of every single-particle propagator. This secures unitarity of the reduced functional.

The same applies to choosing the complementary Kraichnan subset of the complete LW functional. While the two reduced sectors defined in this way are both dependent on the choice of K-coupling and cannot separately satisfy the equivalence of every pair of propagators (two-body unitary symmetry), they achieve this in partnership to recover the exact equilibrium structure as well as the excitations out of equilibrium.

One can view the difference between parquet and Kraichnan formalisms in analogy with two railroad switchyards for which, in the former case, decisions as to what couples where are made locally at each junction while, in the latter, they are made globally and autonomously by a central algorithm (once it has been formulated). The Kraichnan mechanism omits any terms that may appear Feynman compatible but are Luttinger-Ward incompatible, as it cannot introduce what is not there to begin with. In the ground state this avoids spurious contributions within the exact version of parquet. It is necessary not only to have pair propagation respect microscopic conservation at internal momentum-energy transfers; it must also respect the global topology that ensures unitarity, or conservation for the whole [4, 5, 25].

## VI. ACKNOWLEDGMENTS

I thank T. L. Ainsworth, M. P. Das and R. A. Smith for truly enlightening discussions, over a long period, on the nature of many-body diagrammatic expansions. Their reflections have stimulated my revisiting the topics discussed in this and earlier papers.

### Appendix A: Accounting for complementary K-couplings

It seems clear, though perhaps not in its detail, that separation of the exact Hamiltonian into disjoint Kraichnan components must result in a complementary LW functional  $\Phi^{\text{cmp}}$  free of all the pairwise-only correlations belonging to  $\Phi^{\text{stu}}$ . Here is a combinatorial proof.

Take any *stu* skeleton of order  $n$  chosen from those in Fig. 2(b), with each interaction  $\bar{V}$  now accompanied by a factor  $\varphi' - \varphi$ . Its composite Kraichnan coupling product will be

$$\prod_{i=1}^n (\varphi'_i - \varphi_i) = (-1)^n \prod_{i=1}^n \varphi_i + (-1)^{n-1} \sum_{j=1}^n \varphi'_j \prod_{i \neq j} \varphi_i$$

$$+ (-1)^{n-2} \sum_{j,k=1;j \neq k}^n \varphi'_j \varphi'_k \prod_{j \neq i \neq k} \varphi_i + \dots + \prod_{i=1}^n \varphi'_i. \quad (\text{A1})$$

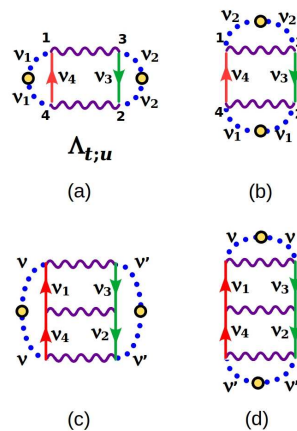
The Kraichnan average is taken as usual for each product of factors on the right-hand side of Eq. (A1). At every occurrence of  $\varphi'_i$ , the indices do not change in crossing the interaction and the total number of free indices decreases by two. Therefore, as every freely indexed factor  $\varphi_i$  in Eq. (A1) is replaced with its constrained partner  $\varphi'_i$ , the same order- $n$  skeleton graph is in play but is averaged only for the analogous order- $m$  product of free  $\varphi_i$  while carrying the sign factor  $(-1)^m$ , where  $0 \leq m \leq n$ .

Combinatorially, the total of the identical *stu* skeletons contributing to the Kraichnan average over the assembly of terms on the right-hand side of Eq. (A1) is

$$\sum_{m=0}^n \binom{n}{m} (-1)^m = (1-1)^n = 0.$$

Hence  $\Phi^{\text{cmp}}$  excludes all *stu* skeletons. The result holds in the presence of an external perturbation  $U$ , so all diagrams for the two-body Green function  $\delta^2 \Phi^{\text{stu}} / \delta U \delta U$  are also excluded from its counterpart  $\delta^2 \Phi^{\text{cmp}} / \delta U \delta U$ .

A related issue is the status of non-*stu* but nevertheless two-pair-reducible diagrams that are the exchange counterparts to objects allowed in *stu* and thus present in the exact expansion. By crossing symmetry such terms must likewise be present in the full expansion. An example of such a structure is in Fig. 10(c).



**FIG. 10.** (a) Noncrossing symmetric *u*-channel kernel  $\Lambda_{t;u} \in \Lambda''$  for the *stu* model, of second order in  $\Lambda_t$  taken from Fig. 4(b). Its closure survives stochastic averaging and contributes to the total response. In (b), closure of its exchange analog also survives averaging but belongs, not in  $\Lambda''$ , rather in the iteration for the total *stu* kernel  $\Gamma'$ . (c) Third-order *u*-channel iterate of  $\Lambda_t$ , generated via the parquet series but suppressed in stochastic averaging for *stu*. While such terms are pairwise reducible, their recursive structure cannot come from  $\Phi^{\text{stu}}$ . Diagram (c) must be generated from  $\Phi$ , however, through crossing symmetry of the exact  $\Gamma$  since (d), its exchange partner, is a legitimate element in the *stu* subset. This means that (a) in the *stu* model does the work of simulating its higher-order analogs starting at (c) that would provide

the counterbalance to (b), (d), and the whole  $u$ -channel type ladder series mediated by  $\Lambda_t$ .

In both the second-order response contributions of Fig. 10(a) and (b), index conservation enforces a coherent cancellation of the  $t$ -channel phases in the ladder associated with the rungs  $\Lambda_t$ . This is also the case for Fig. 10(d), but not for (c) whose kernel is then excluded from the reduced  $\Gamma'$ .

To illustrate the difference, we look first at the phase combinatorics for the first two figures. For 10(a) concatenation of  $t$ -channel K-couplings from Eq. (12) means that the upper rung  $\Lambda_t$  carries – up to a factor  $\pi$  – an overall phase  $\zeta_{\nu_1\nu_4} + \zeta_{\nu_2\nu_3}$ . From index conservation the lower  $\Lambda_t$  rung carries  $\zeta_{\nu_4\nu_1} + \zeta_{\nu_3\nu_2}$ . The total phase cancels and the term of Fig 10(a) survives averaging.

For Fig. 10(b) index conservation works differently, following the topology. In particular it forces the indices  $\nu_3$  and  $\nu_4$  of the inner propagators to be equal. The two phase contributions now are  $\zeta_{\nu_2\nu_4} + \zeta_{\nu_3\nu_2}$  and  $\zeta_{\nu_1\nu_3} + \zeta_{\nu_4\nu_1}$ , which are individually zero consistent with Eq. (13). This term duly survives averaging. The same applies to Fig. 10(d) and its analogs at higher order.

As to Fig. 10(c) the phases for the three  $\Lambda_t$  rungs are

$$\begin{aligned} \zeta_{\nu\nu_1} + \zeta_{\nu_3\nu'}; \\ \zeta_{\nu_1\nu_4} + \zeta_{\nu_2\nu_3}; \\ \zeta_{\nu_4\nu} + \zeta_{\nu'\nu_2}. \end{aligned}$$

There is now no systematic cancellation since the middle rung disrupts the coherence unique to Fig. 10(a) at second order. The term of Fig. 10(c) and all higher-order ladders of this type do not survive stochastic averaging in the  $stu$  approximation.

Evidently, structures like Fig. 10(c) cannot arise from  $\Phi^{\text{stu}}$  alone, nor from  $\Phi^{\text{cmp}}$  alone. Crossing symmetry of the exact kernel  $\Gamma$ , however, says that terms like that of Fig. 10(c), as exchanges to genuine  $stu$  structures generated from the complete  $\Phi$ , must appear as well. They do so as iterates emerging from the more complex convolution of the complementary factors  $\varphi$  and  $\bar{\varphi}$  according to Eqs. (28) and (29).

The combinatorial detail of the convolutions between  $\varphi$  and  $\bar{\varphi}$  exceeds the scope of this Appendix, but an informal illustration of the consequences can be given for Fig. 10(c). Suppose that just one interaction line  $\bar{V}$  in it carries the factor  $\bar{\varphi} = \varphi' - \varphi$ , while all the rest carry  $\varphi$ . Since the diagram is suppressed in the  $stu$  sector (with  $\varphi$ s only), the sole possibility for a nonzero result is via the product of the single  $\varphi'$  times every other  $\varphi$ . The presence of the single restricted coupling, together with conservation of indices, is enough to force its  $\Lambda_t$  line to carry an equal in- and out- index at each end. This reduces the total accounting to that of Fig. 10(a), leading to global cancellation of the phases and the survival of the otherwise suppressed contribution.

Our simplified example above is by no means definitive. Still, it suggests how non- $stu$  response diagrams, not generated from either of the partial LW functionals, may emerge from the full interplay of complementary K-couplings implied by Eq. (25) for the exact functional.

Nevertheless, nothing in the above implies that everything suppressed in  $\Phi^{\text{stu}}$  or  $\Phi^{\text{cmp}}$  is bound to turn up in  $\Phi$ . The structure in Fig. 8(b), for instance, is unconditionally excluded; that is, it is absent from the exact correlation structure  $\langle\psi_0|H_i|\psi_0\rangle$ . The ultimate criterion is unitary symmetry [5]. Its outworkings are in the self-consistent interplay of  $stu$  and its complement.

- 
- [1] R. W. Haymaker and R. Blankenbecler, Phys. Rev. **171**, 1581 (1968).  
[2] A. D. Jackson, A. Lande, and R. A. Smith, Phys. Rep. **86**, 55 (1982).  
[3] A. Lande, and R. A. Smith, Phys. Lett. B **131**, 253 (1983).  
[4] G. Baym and L. P. Kadanoff, Phys. Rev. **124**, 287 (1961).  
[5] G. Baym, Phys. Rev. **127**, 1391 (1962).  
[6] W. Becker and D. Grosser, Nuov. Cim. A **10**, 343 (1972).  
[7] A. D. Jackson and R. A. Smith, Phys. Rev. A **36**, 2517 (1987).  
[8] R. A. Smith, Phys. Rev. A **46**, 4586 (1992).  
[9] R. H. Kraichnan, J. Math. Phys. **3**, 475 (1962).  
[10] R. H. Kraichnan, J. Math. Phys. **3**, 496 (1962).  
[11] F. Green, Phys. Rev. A **99**, 062118 (2019).  
[12] F. Green and T. L. Ainsworth, Phys. Rev. A **106**, 052208 (2022).  
[13] N. E. Bickers, D. J. Scalapino, and S. R. White, Phys. Rev. Lett. **62**, 961 (1989).  
[14] N. E. Bickers, Int. J. Mod. Phys. B **5**, 253 (1991).  
[15] J. M. Luttinger and J. C. Ward, Phys. Rev. **118**, 1417 (1960).  
[16] C. De Dominicis and P. C. Martin, J. Math. Phys. **5**, 14 (1964).  
[17] T. Kita, J. Phys. Soc. Jpn. **91**, 114002 (2022).  
[18] P. Nozières, *Theory of Interacting Fermi Systems* (Benjamin, New York, 1964), Ch. 5.  
[19] D. Pines and P. Nozières, *The Theory of Quantum Liquids, Volume I: Normal Fermi Liquids* (Benjamin, New York, 1966).  
[20] M. Potthoff, Condens. Matter Physics **9**, 557 (2006).  
[21] L. Lin and M. Lindsey, Proc. Natl. Acad. Sci. **115**, 2282 (2018);  
[22] Conservation of the collective-index sum comes from invariance of the individual embedded Hamiltonians, analogous to translational invariance of the individual unit cells embedded in a lattice, leading to a conserved crystal momentum.  
[23] For the three auxiliary  $stu$  kernels,  $\Lambda_s$  is antisymmetric while  $\Lambda_t \equiv -\Lambda_u$  on label exchange. Dropping  $\Lambda''$  in the  $stu$  form of the parquet equations results in a total kernel that is crossing symmetric though no longer conserving. It corresponds to minimal standard parquet [14] where  $\bar{V}$  is the only irreducible input kernel.  
[24] If a pair of interactions  $\bar{V}$  were linked by a pair  $GG$ , then unitary symmetry would require all of them to be



- so linked, and the diagram must belong to the *stu* subset of Fig. 2(b).
- [25] G. Baym, in *Progress in Nonequilibrium Green's Functions*, M. Bonitz ed. (World Scientific, Singapore, 2000), pp 17-32.
- [26] V. Llisie, *Concepts in Quantum Field Theory* (Springer, Cham, 2016), Ch. 12.
- [27] T. L. Ainsworth and K. S. Bedell, *Phys. Rev. B* **35**, 8425 (1987).