

Physics-informed neural network for solving functional renormalization group on lattice

Takeru Yokota^{1, *}

¹*Interdisciplinary Theoretical and Mathematical Sciences Program (iTHEMS), RIKEN, Wako, Saitama 351-0198, Japan*
(Dated: December 27, 2023)

Addressing high-dimensional partial differential equations (HDPDEs) to derive effective actions within the functional renormalization group is formidable, especially when considering various field configurations, including inhomogeneous states, even on lattices. We leverage a physics-informed neural network (PINN) as a state-of-the-art machine learning method for solving HDPDEs to overcome this challenge. In a 0-D $O(N)$ model, we numerically demonstrate the construction of an effective action on an N -D configuration space, extending up to $N = 100$. Our results underscore the effectiveness of PINN approximation, even in scenarios lacking small parameters such as a small coupling.

The utilization of the functional renormalization group (FRG) [1–4] has gained widespread popularity as a non-perturbative theoretical tool across diverse fields, encompassing high-energy physics, condensed matter physics, and statistical physics (see Refs. [5–8] for comprehensive reviews). Central to the FRG is the utilization of functional differential equations (FDE), such as the Wetterich equation [4], which plays a pivotal role in describing the flow within the renormalization group (RG). Notably, the self-determination of the effective action (encompassing all the correlation information of a system) through the Wetterich equation enhances the precision and comprehensiveness of the FRG formalism. Despite these advantages, the absence of universal, efficient, and accurate algorithms for solving FDEs hampers an easily accessible and accurate determination of various properties. The quest for such algorithms or useful approximation schemes remains an open problem.

Power series expansions, such as the vertex expansion (the functional Taylor expansion) and the derivative expansion, are commonly employed in solving the FRG. In these approaches, the Wetterich equation transforms into an infinite hierarchy of differential equations for the expansion coefficients. These coefficients are subsequently truncated in a certain order to facilitate approximate solutions. However, the effective action $\Gamma[\varphi]$ is only valid for specific field configurations $\varphi(x)$. For instance, the effective action derived from the vertex expansion is valid in the vicinity of the expansion point $\varphi(x) \approx \varphi_{\text{exp}}(x)$, while that obtained from the derivative expansion is applicable when $\varphi(x) \approx \text{const}$. In these cases, prior knowledge of the field's ground state is a prerequisite for calculations, limiting the ability to capture complex structures such as inhomogeneous states. Moreover, enhancing the accuracy of results often entails computationally demanding efforts in improving the truncation order.

The application of FRG extends beyond continuum

models and is commonly employed in lattice models as well [7, 8]. On a finite lattice, the Wetterich equation becomes an $(N_{\text{DOF}} + 1)$ -dimensional partial differential equation (PDE) involving N_{DOF} degrees of freedom for the RG scale and fields variables. While a finite-dimensional PDE might appear more amenable to numerical analysis than an FDE, the computational complexity of calculations with a large N_{DOF} grows exponentially when a computational grid is assigned to each field component. Therefore, even in lattice models, approximations based on power series expansions remain commonly employed.

This study aims to demonstrate that machine learning offers a novel framework for solving the FRG applied to lattice models with large N_{DOF} as an alternative to power series expansions. Among the array of recently developed machine learning methods for handling high-dimensional PDEs [9–22], we leverage the physics-informed neural network (PINN) [9, 11, 12, 22]. PINN can be applied to various PDEs and involves optimizing a differentiable neural network (NN) to satisfy PDE and boundary conditions, providing a solution for a domain of input variables space rather than a single point. Due to its grid-free characteristic, PINN is particularly advantageous for handling high-dimensional inputs, as demonstrated in recent applications to high-dimensional PDEs [23–28], including 10^5 -dimensional cases [27]. In such scenarios, the limitations imposed by N_{DOF} are naturally expected to relax, implying the possibility of simultaneously constructing effective actions for various field configurations, including inhomogeneous states. Moreover, the universal approximation theorem [29–31] suggests that NNs can serve as accurate approximations for effective action.

In the subsequent sections, we present a PINN-based method for solving the FRG applied to a lattice (PINN-LFRG). We outline a methodology for representing the effective action using a differentiable NN, which is trained to satisfy the Wetterich equation. Furthermore, we provide numerical demonstrations of the scalability and

* takeru.yokota@riken.jp

accuracy of this approach in the context of the zero-dimensional $O(N)$ model. Here, PDEs with $N_{\text{DOF}} + 1 = N + 1 \leq 101$ dimensions are solved within a few hours. The effective action and self-energy are computed across a domain of the field space simultaneously, exhibiting superior or comparable accuracies when contrasted with results obtained through perturbative and large- N expansions, spanning various choices of coupling strength and N . Additionally, the $O(N)$ symmetry for the effective action is successfully reproduced through training the Wetterich equation. These findings underscore the feasibility of utilizing NNs to approximate the effective action even without a small parameter, such as a small coupling. We note that our purpose of solving FRG flow equations differs from that in a recent machine-learning-based FRG study [32], which focuses on the dimensionality reduction of the four-point vertex function as given by FRG.

We focus on the FRG applied to bosons in a d -dimensional space-time lattice. The action is represented by $S(\varphi)$, where $\varphi = \{\varphi_{n,\alpha}\}_{n,\alpha}$ is a real bosonic field. Here, the d -dimensional vector n indicates a lattice site and α is the internal degrees of freedom index. The total degrees of freedom for this system are given by $N_{\text{DOF}} = V N_{\text{IDOF}}$, where V denotes the lattice volume, and N_{IDOF} is the internal degree of freedom. All quantities are expressed in lattice units.

We adhere to the formalism outlined by Wetterich [4], where the RG flow of the effective action $\Gamma(\varphi)$ is governed by the Wetterich equation [33]:

$$\partial_k \Gamma_k(\varphi) = \frac{1}{2} \text{tr} \left[\partial_k R_k \left(\frac{\partial^2 \Gamma_k(\varphi)}{\partial \varphi \partial \varphi} + R_k \right)^{-1} \right], \quad (1)$$

which is an $(N_{\text{DOF}} + 1)$ -dimensional PDE. The regulator $R_k = R_{k,n-n'}^{\alpha\alpha'}$ is a specified function designed to suppress fluctuations with momenta smaller than the RG scale, k . Additionally, we introduce the effective average action $\Gamma_k(\varphi)$, which satisfies $\Gamma_{k_{\text{UV}}}(\varphi) = S(\varphi) + \text{const.}$ for a large ultraviolet scale, k_{UV} , and $\Gamma_{k_{\text{IR}}}(\varphi) = \Gamma(\varphi)$ for a small infrared scale, k_{IR} , under a suitable choice of R_k [33].

In principle, Eq. (1) determines $\Gamma(\varphi)$, encompassing all the thermodynamic properties and correlations. Typically, Taylor series expansions, including vertex and derivative expansions, are employed. These expansions yield an approximate calculation of $\Gamma(\varphi)$ for a specific configuration of $\varphi_{n,\alpha}$. However, there is currently no established method to accurately and efficiently obtain $\Gamma(\varphi)$ for a broad domain of the $\varphi_{n,\alpha}$ space. Our goal is to propose a promising candidate for such a method.

Initially, calculations involving large N_{DOF} may appear computationally challenging, given their complexity, which grows exponentially when a grid is associated with each component $\varphi_{n,\alpha}$. However, our approach is rooted in the resilience of PINN to this issue, given its grid-free and applicability to high-dimensional PDEs [23–28].

In PINN, the solution is represented by a differentiable NN, eliminating the need for discretization in numerical differentiation. The NN is optimized to satisfy the PDE and the boundary conditions (BCs) using backpropagation. The optimization function may take the form $L = L_{\text{PDE}} + w L_{\text{BC}}$ [12, 22], where L_{PDE} (L_{BC}) reaches its minimum if, and only if, the NN satisfies the PDE (BC) for any input, and w is a positive hyperparameter to adjust the relative scale of the two terms.

The presence of both terms L_{PDE} and L_{BC} can pose challenges. For example, tuning w for efficient optimization convergence can be required. However, in our case of the initial value problem, L_{BC} can be omitted with an appropriate choice of the ansatz on $\Gamma_k(\varphi)$ similar to Ref. [11]. We make such an ansatz based on the decomposition:

$$\Gamma_k(\varphi) = S(\varphi) + \Gamma_{\text{RG}}(l, \varphi), \quad (2)$$

where $l = \ln(k_{\text{UV}}/k)$. Since the initial condition is $\Gamma_{k_{\text{UV}}}(\varphi) = S(\varphi)$, the RG-induced part $\Gamma_{\text{RG}}(l, \varphi)$ satisfies $\Gamma_{\text{RG}}(0, \varphi) = 0$. We further decompose $\Gamma_{\text{RG}}(l, \varphi)$ as

$$\Gamma_{\text{RG}}(l, \varphi) = \gamma_{\text{free}}(l) + \gamma(l, \varphi). \quad (3)$$

Here, $\gamma_{\text{free}}(l)$ represents the constant term originating from the free quadratic term $S_{\text{free}}(\varphi)$ of $S(\varphi)$. In other words, it is the solution when $\Gamma_k(\varphi)$ on the right-hand side of Eq. (1) is substituted by $S_{\text{free}}(\varphi)$. The remaining term $\gamma(l, \varphi)$ constitutes the non-trivial interaction-induced part, corresponding to the shift in the free energy. By imposing $\gamma(0, \varphi) = 0$, we replace $\gamma(l, \varphi)$ with an NN. A conceivable choice is:

$$\gamma(l, \varphi) \approx \gamma(l, \varphi; \theta) = \text{NN}_{\theta}(l, \varphi) - \text{NN}_{\theta}(0, \varphi), \quad (4)$$

where $\text{NN}_{\theta}(l, \varphi)$ is a differentiable NN with parameters θ .

A possible choice of $L = L_{\text{PDE}}$ to train $\gamma(l, \varphi; \theta)$ is

$$L_{\theta} = \mathbb{E}_{\substack{\varphi \sim \mathcal{P}_{\varphi} \\ l \sim \mathcal{P}_l}} \left[\left(\partial_l \Gamma_k^{\theta}(\varphi) - \frac{1}{2} \text{tr} \partial_l R_k \left(\frac{\partial^2 \Gamma_k^{\theta}(\varphi)}{\partial \varphi \partial \varphi} + R_k \right)^{-1} \right)^2 \right], \quad (5)$$

with $\Gamma_l^{\theta}(\varphi) = S(\varphi) + \gamma_{\text{free}}(l) + \gamma(l, \varphi; \theta)$, we introduce probability distributions \mathcal{P}_{φ} and \mathcal{P}_l , defined for the φ -space and $l \in [0, l_{\text{end}}]$, with $l_{\text{end}} = \ln(k_{\text{UV}}/k_{\text{IR}})$, respectively. In practice, the expectation value is approximately evaluated using a finite number of collocation points $\{(l^{(i)}, \varphi^{(i)})\}_{i=1}^{N_{\text{col}}}$ sampled according to \mathcal{P}_{φ} and \mathcal{P}_l . Naively, if one is interested in a specific configuration $\varphi = \varphi_{\text{target}}$, then \mathcal{P}_{φ} should be chosen as to sample the neighborhoods of φ_{target} at high rates. A caveat is that, even in such a case, \mathcal{P}_{φ} should be sufficiently broad for learning φ derivatives, i.e., the φ -dependence

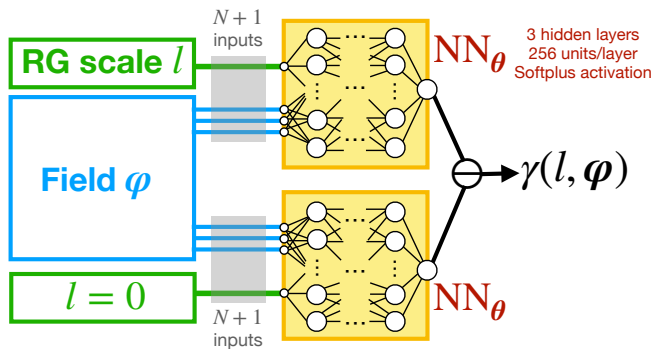


FIG. 1. The schematic picture of our NN architecture for the interaction-induced effective action $\gamma(l, \varphi)$.

of $\gamma(l, \varphi; \theta)$. We surmise that the breadth should have the scale of the fluctuation $\sqrt{\langle (\varphi_{n,\alpha} - \varphi_{\text{target},n,\alpha})^2 \rangle}$ for each direction $\varphi_{n,\alpha}$ to describe correlations.

To illustrate how PINN-LFRG works, we apply it to the zero-dimensional $O(N)$ model, which possesses an exact solution. The action is given by:

$$S(\varphi) = \frac{1}{2}m^2\varphi^2 + \frac{g}{4!}(\varphi^2)^2, \quad (6)$$

where $\varphi = (\varphi_1, \dots, \varphi_N)$ represents an N -component scalar field, and m and g are the mass and coupling, respectively.

This model gives the total degree of freedom by $N_{\text{DOF}} = N_{\text{IDOF}} = N$ due to $V = 1$. We investigate the scalability with respect to N_{DOF} by increasing N [34]. We also assess accuracy by comparing the results of the interaction-induced effective action $\gamma(l, \varphi)$ and the RG-induced self-energy $\sigma_\alpha(l, \varphi) = \partial^2 \gamma(l, \varphi) / \partial \varphi_\alpha^2$ to those from the exact calculation, perturbative expansion up to the leading order, and large- N expansion up to $O(1)$ [33]. Note that $\tilde{g} = Ng/m^4$ is the dimensionless control parameter determining the perturbative region as $\tilde{g} \ll 1$ due to $\langle \varphi^2 \rangle \sim N/m^2$ [35].

The regulator is set to $R_k^{\alpha\alpha'} = k_{\text{UV}}^2 e^{-2l} \delta_{\alpha\alpha'}$. The stationary point approximation needs to hold at $l = 0$ [33] to realize $\Gamma_{k_{\text{UV}}}(\varphi) \approx S(\varphi)$. This condition is given by $\langle S(\varphi^2) \rangle \ll \langle k_{\text{UV}}^2 \varphi^2 / 2 \rangle$, which leads to $m^2/k_{\text{UV}}^2 \ll 1$ and $\tilde{g} \ll k_{\text{UV}}^2/m^2$. Hereafter, our parameters satisfy $m^2/k_{\text{UV}}^2 = 0.01$ and $\tilde{g} \ll 100$. We set $l_{\text{end}} = 5$.

Our ansatz on $\gamma(l, \varphi)$ is based on Eq. (4). Our $\text{NN}_\theta(l, \varphi)$ is a fully connected NN composed of 3 hidden layers with 256 units per layer and the differentiable softplus activation function. We find that this choice of NN shows successful convergence in the pretraining described below. Figure 1 depicts a schematic of our proposed NN architecture for $\gamma(l, \varphi)$.

The matrix $\partial_\varphi^2 \Gamma_k^\theta(\varphi) + R_k$ must be regular during training since there is a matrix inverse in Eq. (5). In our experience, this condition is frequently broken without carefully choosing the initial values of θ . We find that pre-

training with some approximate analytical results remedies this problem. Specifically, we use the result of the first-order perturbation $\gamma^{\text{1Pt}}(l, \varphi)$, employing the following optimization function:

$$L_\theta^{\text{pre}} = \mathbb{E}_{\substack{\varphi \sim \mathcal{P}_\varphi \\ l \sim \mathcal{P}_l}} \left[\left(\gamma(l, \varphi; \theta) - \gamma^{\text{1Pt}}(l, \varphi) \right)^2 \right]. \quad (7)$$

The Xavier initialization [36] is used for this pretraining.

For \mathcal{P}_l , we adopt a uniform distribution within the interval $[0, l_{\text{end}}]$. To sample the neighborhoods of $\varphi = \mathbf{0}$, representing the vacuum expectation value, we define \mathcal{P}_φ such that the direction $\hat{n} = \varphi/\|\varphi\|$ is uniformly sampled. The norm $\|\varphi\|$ is sampled following a normal distribution $\mathcal{N}(0, N/m^2)$ without the sign, where the variance N/m^2 corresponds to the order of $\langle \varphi^2 \rangle$. It is noteworthy that the efficiently sampling neighborhoods of $\varphi = \mathbf{0}$ for large N is challenging if \mathcal{P}_φ is set to an N -dimensional normal distribution $\mathcal{N}(\mathbf{0}, m^{-2}\mathbf{1})$ or a uniform distribution in an N -dimensional box due to the curse of dimensionality.

The Adam optimizer [37] is utilized to train the NN with Eqs. (5) and (7). All computations are executed on an NVIDIA A100 GPU with 40 GB of memory. Additional details about our training procedures are in the Supplemental Material [33].

We conducted computations for all the combinations of $N = 1, 10, 100$ and $\tilde{g} = 0.1, 1, 10$. In each case, the computational time for training is kept within 11 hours, ensuring the convergence of L_θ and physical quantities [33].

Figure 2 illustrates the results of $\gamma(l, \varphi)$ and $\sigma(l, \varphi)$ for $N = 1$ and $\tilde{g} = 1$. Specifically, the plot depicts the l -dependence at the vacuum expectation value $\varphi = 0$ and the φ -dependence at $l = l_{\text{end}}$. The results from exact calculations, perturbative and large- N expansions, and the model after the pretraining are also presented. The perturbative and large- N expansion results show considerable deviations from the exact ones since both $\tilde{g} = 1$ and $1/N = 1$ are not small. Notably, the training of the Wetterich equation successfully shifts values from those obtained by the perturbation approach toward the exact results. In all instances, our PINN-LFRG approach exhibits higher accuracy than the perturbative method and large- N expansions. It is crucial to highlight that our approach provides solutions over a broad domain of φ , in contrast to the limitations of the vertex expansion method. Some deviations between the results of the pre-trained model and the perturbation can be observed in $\sigma(l, \varphi)$ since the pretraining was halted before full convergence, which is sufficient for stabilizing the training of the Wetterich equation.

Figure 3 illustrates the result for $N = 100$ and $\tilde{g} = 1$. With the exception of $\gamma(l, \mathbf{0})$, our results are presented as the $N = 100$ lines corresponding to the N directions in the φ -space. This includes all the $\alpha = 1, \dots, 100$ cases of $\gamma(l, \varphi \mathbf{e}_\alpha)$ and $\sigma_\alpha(l, \varphi \mathbf{e}_\alpha)$, where \mathbf{e}_α denotes the

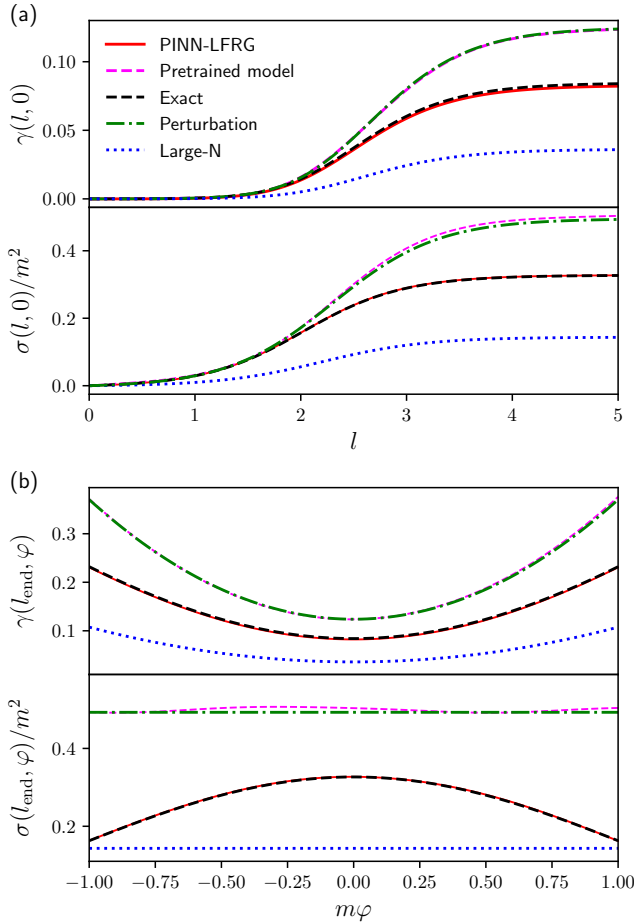


FIG. 2. $\gamma(l, \varphi)$ and $\sigma(l, \varphi)$ in the case of $N = 1$ and $\tilde{g} = 1$. (a) l -dependence at $\varphi = 0$ and (b) φ -dependence at $l = l_{\text{end}}$. Results of the PINN-LFRG (red solid line), the pretrained model (magenta dashed line), exact calculation (black dashed line), perturbative expansion (green dotted-dashed line), and large- N expansion (blue dotted line) are represented.

unit vector in the φ_α direction. The PINN-LFRG results for different α closely match, with differences being imperceptible in $\gamma(l_{\text{end}}, \varphi \mathbf{e}_\alpha)$ and $\sigma_\alpha(l_{\text{end}}, \varphi \mathbf{e}_\alpha)$. Even in $\sigma_\alpha(l_{\text{end}}, \varphi \mathbf{e}_\alpha)$, all the results from our approach are as close to the exact result as those of the large- N expansion, which is expected to be accurate for $N = 100$. These findings indicate that the NN automatically captures the $O(N)$ symmetry, enabling a simultaneously accurate solution for a domain of the high-dimensional configuration space.

Table I summarizes the relative errors of $\gamma(l_{\text{end}}, \mathbf{0})$ and $\sigma(l_{\text{end}}, \mathbf{0})$ compared to the exact values for all values of N and \tilde{g} . In the case of PINN-LFRG for $N > 1$, we determine $\sigma(l_{\text{end}}, \mathbf{0})$ by averaging $\sigma_\alpha(l_{\text{end}}, \mathbf{0})$ with respect to $\alpha = 1, \dots, N$, and we derive the standard deviation. To show the tendency, we plot the absolute values of the relative errors of $\gamma(l_{\text{end}}, \mathbf{0})$ compared to the exact values

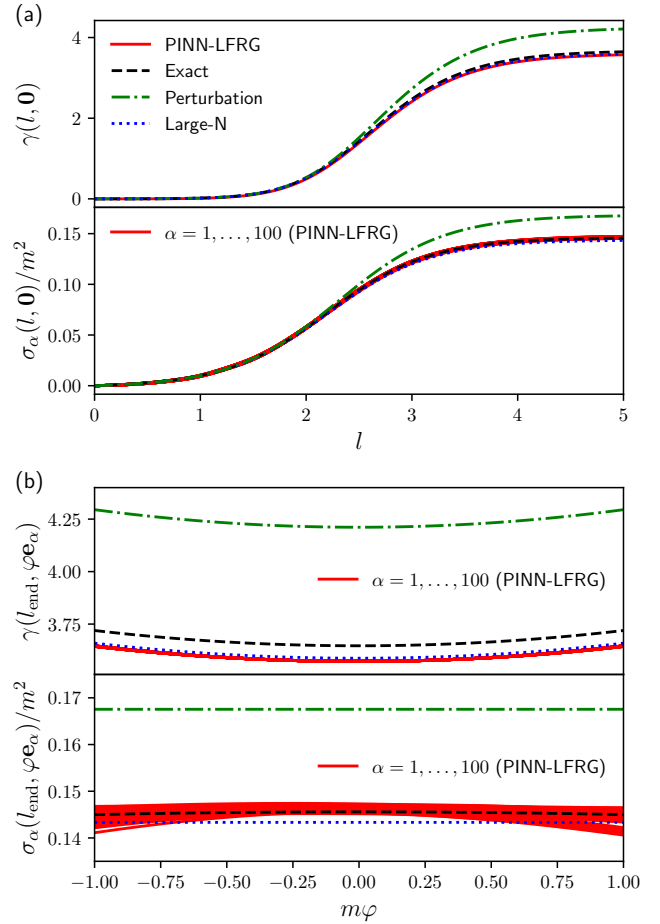


FIG. 3. $\gamma(l, \varphi \mathbf{e}_\alpha)$ and $\sigma_\alpha(l, \varphi \mathbf{e}_\alpha)$ in the case of $N = 100$ and $\tilde{g} = 1$. (a) l -dependence at $\varphi = 0$ and (b) φ -dependence at $l = l_{\text{end}}$. The results from the PINN-LFRG approach (red solid line), exact calculations (black dashed line), perturbative expansion (green dotted-dashed line), and large- N expansion (blue dotted line) are presented. The outcomes of PINN-LFRG are presented as the $N = 100$ lines, except for $\gamma(l, \mathbf{0})$, where each line corresponds to a different choice of α .

as a function of N in Fig. 4; almost the same tendency is seen for $\sigma(l_{\text{end}}, \mathbf{0})$. For all N and \tilde{g} values, the errors of PINN-LFRG are within 3% for $\gamma(l_{\text{end}}, \mathbf{0})$ and 1% for $\sigma(l_{\text{end}}, \mathbf{0})$ even if the standard deviations are taken into account. Particularly, PINN-LFRG is accurate even for the non-perturbative and small- N regions, where both the perturbative and large- N expansions break down. This suggests that the NN is a promising tool for providing accurate approximation independently of the existence of a small parameter.

This study introduces PINN-LFRG as a novel framework for solving the Wetterich equation on a finite lattice. The approach demonstrates the ability to simultaneously derive an effective action for various field configurations. The proposed procedure involves representing the effective action through an NN and optimizing

TABLE I. Relative errors of $\gamma = \gamma(l_{\text{end}}, \mathbf{0})$ and $\sigma = \sigma(l_{\text{end}}, \mathbf{0})$ compared to the exact values in percentage. The results of the perturbation, large- N expansion, and PINN-LFRG are displayed. For PINN-LFRG, we present the ambiguity of the relative error of σ estimated from the standard derivation (denoted by $\Delta\sigma$). The minus sign indicates underestimation.

N		1			10			100		
\tilde{g}		0.1	1	10	0.1	1	10	0.1	1	10
Perturb. (%)	γ	6.2	47	275	2.1	19	129	1.7	15	110
	σ	7.6	51	228	2.3	19	109	1.7	15	92
Large- N (%)	γ	-65	-57	-40	-16	-14	-8.4	-1.9	-1.6	-0.95
	σ	-65	-56	-42	-16	-13	-8.2	-1.9	-1.5	-0.89
PINN-LFRG (%)	γ	-2.0	-2.2	-2.8	-1.9	-2.1	-2.3	-1.9	-2.0	-2.3
	σ	-0.17	0.12	0.76	0.16	0.46	0.42	-0.011	0.44	0.50
	$\Delta\sigma$	0	0	0	0.27	0.18	0.24	0.38	0.29	0.26

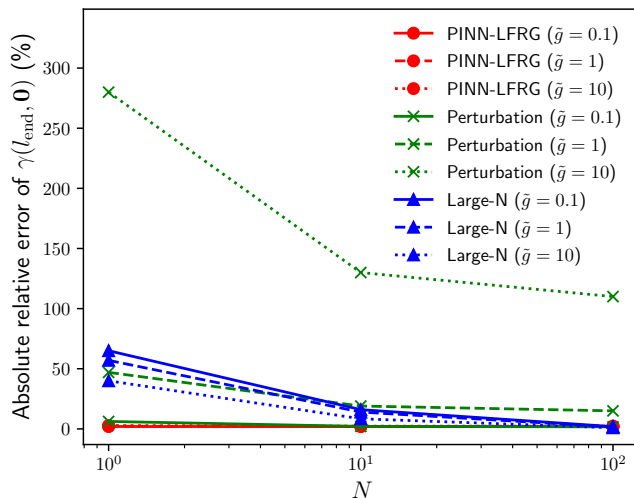


FIG. 4. Absolute values of the relative errors of $\gamma = \gamma(l_{\text{end}}, \mathbf{0})$ compared to the exact values as a function of N . All the cases of PINN-LFRG, perturbation, and large- N expansion with $\tilde{g} = 0.1, 1, 10$ are depicted.

it. The method is applied to the zero-dimensional $O(N)$ model, yielding effective action and self-energy results for different choices of N up to 100 and various coupling strengths. Across all investigated cases, PINN-LFRG shows superior or comparable accuracy compared to the perturbative and large- N expansions, successfully reproducing the $O(N)$ symmetry. These results indicate the feasibility of calculations involving a substantial number of degrees of freedom, around 10^2 or more, with NNs effectively approximating the effective action without the reliance on a small parameter, such as a small coupling.

Our analysis can be readily extended to models incorporating temporal and spatial degrees of freedom. An intriguing avenue for further exploration is the investigation of inhomogeneous states in scalar models, such as solitons, within our framework, building upon existing work on this topic [38–40]. Extending the approach to fermionic systems poses a substantial challenge since

there is currently no efficient method for constructing NNs for Grassmann variables. However, one could apply our approach to fermionic systems by introducing bosonic auxiliary fields, for example. An exciting application in this direction is the adaptation of our method to density functional theory [41–43], a standard tool for analyzing many-body systems. This has been extended to apply to lattice models, such as the Hubbard model [44]. We anticipate that our approach holds promise for the FRG-based formalism of density functional theory, a framework that has seen recent developments [45–57].

The author thanks T. Miyagawa for carefully reading the manuscript and making valuable comments. The author also thanks G. Fejős, T. Hatsuda, T. Naito, O. Sugino, and J. Yamamoto for valuable discussions. The RIKEN Special Postdoctoral Researchers Program supported the author.

- [1] Franz J. Wegner and Anthony Houghton. Renormalization Group Equation for Critical Phenomena. *Phys. Rev. A*, 8:401–412, Jul 1973.
- [2] Kenneth G. Wilson and J. Kogut. The renormalization group and the ϵ expansion. *Phys. Rep.*, 12(2):75 – 199, 1974.
- [3] Joseph Polchinski. Renormalization and effective lagrangians. *Nucl. Phys. B*, 231(2):269 – 295, 1984.
- [4] Christof Wetterich. Exact evolution equation for the effective potential. *Phys. Lett. B*, 301:90–94, 1993.
- [5] Jürgen Berges, Nikolaos Tetradis, and Christof Wetterich. Non-perturbative renormalization flow in quantum field theory and statistical physics. *Physics Reports*, 363(4):223–386, 2002. Renormalization group theory in the new millennium. IV.
- [6] Holger Gies. *Introduction to the Functional RG and Applications to Gauge Theories*, pages 287–348. Springer Berlin Heidelberg, Berlin, Heidelberg, 2012.
- [7] Walter Metzner, Manfred Salmhofer, Carsten Honerkamp, Volker Meden, and Kurt Schönhammer. Functional renormalization group approach to correlated fermion systems. *Rev. Mod. Phys.*, 84:299–352, Mar 2012.
- [8] N. Dupuis, L. Canet, A. Eichhorn, W. Metzner, J.M. Pawłowski, M. Tissier, and N. Wschebor. The nonper-

- turbative functional renormalization group and its applications. *Physics Reports*, 910:1–114, 2021. The nonperturbative functional renormalization group and its applications.
- [9] Dimitris C. Psychogios and Lyle H. Ungar. A hybrid neural network-first principles approach to process modeling. *AIChE Journal*, 38(10):1499–1511, 1992.
- [10] M. W. M. G. Dissanayake and N. Phan-Thien. Neural-network-based approximations for solving partial differential equations. *Communications in Numerical Methods in Engineering*, 10(3):195–201, 1994.
- [11] I.E. Lagaris, A. Likas, and D.I. Fotiadis. Artificial neural networks for solving ordinary and partial differential equations. *IEEE Transactions on Neural Networks*, 9(5):987–1000, 1998.
- [12] Maziar Raissi, Paris Perdikaris, and George Em Karniadakis. Physics informed deep learning (part i): Data-driven solutions of nonlinear partial differential equations, 2017.
- [13] Weinan E, Jiequn Han, and Arnulf Jentzen. Deep learning-based numerical methods for high-dimensional parabolic partial differential equations and backward stochastic differential equations. *Communications in Mathematics and Statistics*, 5(4):349–380, December 2017. arXiv:1706.04702 [cs, math, stat].
- [14] Jiequn Han, Arnulf Jentzen, and Weinan E. Solving high-dimensional partial differential equations using deep learning. *Proceedings of the National Academy of Sciences*, 115(34):8505–8510, 2018.
- [15] Maziar Raissi. *Forward-Backward Stochastic Neural Networks: Deep Learning of High-Dimensional Partial Differential Equations*, chapter Chapter 18, pages 637–655.
- [16] Weinan E and Bing Yu. The Deep Ritz Method: A Deep Learning-Based Numerical Algorithm for Solving Variational Problems. *Communications in Mathematics and Statistics*, 6(1):1–12, March 2018.
- [17] Yuehaw Khoo, Jianfeng Lu, and Lexing Ying. Solving for high-dimensional committor functions using artificial neural networks. *Research in the Mathematical Sciences*, 6(1):1, October 2018.
- [18] Justin Sirignano and Konstantinos Spiliopoulos. Dgm: A deep learning algorithm for solving partial differential equations. *Journal of Computational Physics*, 375:1339–1364, 2018.
- [19] Christian Beck, Weinan E, and Arnulf Jentzen. Machine learning approximation algorithms for high-dimensional fully nonlinear partial differential equations and second-order backward stochastic differential equations. *Journal of Nonlinear Science*, 29(4):1563–1619, August 2019. arXiv:1709.05963 [cs, math, stat].
- [20] Masaaki Fujii, Akihiko Takahashi, and Masayuki Takahashi. Asymptotic expansion as prior knowledge in deep learning method for high dimensional bsdes. *Asia-Pacific Financial Markets*, 26, 09 2019.
- [21] Mohammad Amin Nabian and Hadi Meidani. A deep learning solution approach for high-dimensional random differential equations. *Probabilistic Engineering Mechanics*, 57:14–25, 2019.
- [22] M. Raissi, P. Perdikaris, and G.E. Karniadakis. Physics-informed neural networks: A deep learning framework for solving forward and inverse problems involving nonlinear partial differential equations. *Journal of Computational Physics*, 378:686–707, 2019.
- [23] Ling Guo, Hao Wu, Xiaochen Yu, and Tao Zhou. Monte carlo fpinns: Deep learning method for forward and inverse problems involving high dimensional fractional partial differential equations. *Computer Methods in Applied Mechanics and Engineering*, 400:115523, 2022.
- [24] Di He, Shanda Li, Wenlei Shi, Xiaotian Gao, Jia Zhang, Jiang Bian, Liwei Wang, and Tie-Yan Liu. Learning physics-informed neural networks without stacked back-propagation. In *International Conference on Artificial Intelligence and Statistics*, pages 3034–3047. PMLR, 2023.
- [25] Jianhuan Cen, Xingyu Chen, Minqiang Xu, and Qingsong Zou. Deep finite volume method for high-dimensional partial differential equations, 2023.
- [26] Kejun Tang, Xiaoliang Wan, and Chao Yang. Daspinns: A deep adaptive sampling method for solving high-dimensional partial differential equations. *Journal of Computational Physics*, 476:111868, 2023.
- [27] Zheyuan Hu, Khemraj Shukla, George Em Karniadakis, and Kenji Kawaguchi. Tackling the curse of dimensionality with physics-informed neural networks, 2023.
- [28] Zheyuan Hu, Zhouhao Yang, Yezhen Wang, George Em Karniadakis, and Kenji Kawaguchi. Bias-variance trade-off in physics-informed neural networks with randomized smoothing for high-dimensional pdes, 2023.
- [29] G. Cybenko. Approximation by superpositions of a sigmoidal function. *Mathematics of Control, Signals, and Systems*, 2(4):303–314, December 1989.
- [30] Kurt Hornik, Maxwell Stinchcombe, and Halbert White. Multilayer feedforward networks are universal approximators. *Neural Networks*, 2(5):359–366, 1989.
- [31] A.R. Barron. Universal approximation bounds for superpositions of a sigmoidal function. *IEEE Transactions on Information Theory*, 39(3):930–945, 1993.
- [32] Domenico Di Sante, Matija Medvidović, Alessandro Toschi, Giorgio Sangiovanni, Cesare Franchini, Anirvan M. Sengupta, and Andrew J. Millis. Deep learning the functional renormalization group. *Phys. Rev. Lett.*, 129:136402, Sep 2022.
- [33] See Supplemental Materials for further details on the statements and the derivations.
- [34] The Wetterich equation for this model can be reduced to a two-dimensional PDE with variables l and $\rho = \varphi^2/2$, but we do not use this reduction to investigate scalability.
- [35] Jan Keitel and Lorenz Bartosch. The zero-dimensional $o(n)$ vector model as a benchmark for perturbation theory, the large- n expansion and the functional renormalization group. *Journal of Physics A: Mathematical and Theoretical*, 45(10):105401, feb 2012.
- [36] Xavier Glorot and Yoshua Bengio. Understanding the difficulty of training deep feedforward neural networks. In Yee Whye Teh and Mike Titterton, editors, *Proceedings of the Thirteenth International Conference on Artificial Intelligence and Statistics*, volume 9 of *Proceedings of Machine Learning Research*, pages 249–256, Chia Laguna Resort, Sardinia, Italy, 13–15 May 2010. PMLR.
- [37] Diederik P. Kingma and Jimmy Ba. Adam: A method for stochastic optimization, 2017.
- [38] Stefano Bolognesi, Kenichi Konishi, and Keisuke Ohashi. Large- N CP^{N-1} sigma model on a finite interval. *JHEP*, 10:073, 2016.
- [39] Muneto Nitta and Ryosuke Yoshii. Self-consistent large- N analytical solutions of inhomogeneous condensates in quantum CP^{N-1} model. *JHEP*, 12:145, 2017.
- [40] A. Gorsky, A. Pikalov, and A. Vainshtein. On instability

- of ground states in 2D \mathbb{CP}^{N-1} and \mathbb{O}^N models at large N . 11 2018.
- [41] P. Hohenberg and W. Kohn. Inhomogeneous electron gas. *Phys. Rev.*, 136:B864–B871, Nov 1964.
- [42] W. Kohn and L. J. Sham. Self-consistent equations including exchange and correlation effects. *Phys. Rev.*, 140:A1133–A1138, Nov 1965.
- [43] W. Kohn. Nobel lecture: Electronic structure of matter—wave functions and density functionals. *Rev. Mod. Phys.*, 71:1253–1266, Oct 1999.
- [44] D J Carrascal, J Ferrer, J C Smith, and K Burke. The hubbard dimer: a density functional case study of a many-body problem. *Journal of Physics: Condensed Matter*, 27(39):393001, sep 2015.
- [45] J. Polonyi and K. Sailer. Effective actions and the density functional theory. *Phys. Rev. B*, 66:155113, 2002.
- [46] A. Schwenk and J. Polonyi. Towards density functional calculations from nuclear forces. In *32nd International Workshop on Gross Properties of Nuclei and Nuclear Excitation: Probing Nuclei and Nucleons with Electrons and Photons (Hirscheegg 2004) Hirscheegg, Austria, January 11-17, 2004*, pages 273–282, 2004.
- [47] Sandra Kemler and Jens Braun. Towards a renormalization group approach to density functional theory—general formalism and case studies. *J. Phys. G*, 40:085105, 2013.
- [48] J F Rentrop, S G Jakobs, and V Meden. Two-particle irreducible functional renormalization group schemes—a comparative study. *J. Phys. A*, 48(14):145002, mar 2015.
- [49] Sandra Kemler, Martin Pospiech, and Jens Braun. Formation of selfbound states in a one-dimensional nuclear model—a renormalization group based density functional study. *J. Phys. G*, 44(1):015101, 2017.
- [50] Haozhao Liang, Yifei Niu, and Tetsuo Hatsuda. Functional renormalization group and Kohn-Sham scheme in density functional theory. *Phys. Lett. B*, 779:436–440, 2018.
- [51] Takeru Yokota, Kenichi Yoshida, and Teiji Kunihiro. Functional renormalization-group calculation of the equation of state of one-dimensional uniform matter inspired by the Hohenberg-Kohn theorem. *Phys. Rev. C*, 99:024302, Feb 2019.
- [52] Takeru Yokota, Kenichi Yoshida, and Teiji Kunihiro. *Ab initio* description of excited states of 1D uniform matter with the Hohenberg–Kohn-theorem-inspired functional-renormalization-group method. *Prog. Theor. Exp. Phys.*, 2019(1):011D01, 01 2019.
- [53] Takeru Yokota and Tomoya Naito. Functional-renormalization-group aided density functional analysis for the correlation energy of the two-dimensional homogeneous electron gas. *Phys. Rev. B*, 99(11):115106, March 2019.
- [54] Takeru Yokota, Haruki Kasuya, Kenichi Yoshida, and Teiji Kunihiro. Microscopic derivation of density functional theory for superfluid systems based on effective action formalism. *Prog. Theor. Exp. Phys.*, 2021(1):013A03, 12 2020.
- [55] Takeru Yokota and Tomoya Naito. *Ab initio* construction of the energy density functional for electron systems with the functional-renormalization-group-aided density functional theory. *Phys. Rev. Research*, 3:L012015, Feb 2021.
- [56] Takeru Yokota, Jun Haruyama, and Osamu Sugino. Functional-renormalization-group approach to classical liquids with short-range repulsion: A scheme without repulsive reference system. *Phys. Rev. E*, 104:014124, Jul 2021.
- [57] Takeru Yokota and Tomoya Naito. Construction of energy density functional for arbitrary spin polarization using functional renormalization group. *Phys. Rev. B*, 105:035105, Jan 2022.
- [58] N. Dupuis and K. Sengupta. Non-perturbative renormalization-group approach to lattice models. *The European Physical Journal B*, 66(2):271–278, November 2008.
- [59] M.F. Hutchinson. A stochastic estimator of the trace of the influence matrix for laplacian smoothing splines. *Communications in Statistics - Simulation and Computation*, 19(2):433–450, 1990.
-

Supplemental Materials: Physics-informed neural network for solving functional renormalization group on lattice

FORMULATION OF FUNCTIONAL RENORMALIZATION GROUP

Here, we provide a summary of the lattice formulation of the FRG for bosonic systems. Consistent with the main text, we consider a d -dimensional space-time lattice and represent the action as $S(\varphi)$, where $\varphi = \{\varphi_{n,\alpha}\}_{n,\alpha}$ denotes a real bosonic field, with the d -dimensional vector n indicating a lattice site and α representing the internal degrees of freedom. The imaginary-time formalism is employed, and all quantities are expressed in lattice units.

Following Wetterich's formulation [4], a regulator term is introduced into the action to induce the RG flow:

$$S_k(\varphi) = S(\varphi) + \frac{1}{2} \sum_{n,\alpha,n,\alpha'} \varphi_{n,\alpha} R_{k,n-n'}^{\alpha\alpha'} \varphi_{n',\alpha'}. \quad (\text{S1})$$

The regulator $R_{k,n-n'}^{\alpha\alpha'}$ is a predefined function acting as an artificial mass, designed to dampen fluctuations with momenta smaller than the RG scale k . In the momentum space, the regulator must adhere to the following conditions:

$$\lim_{p^2/k^2 \rightarrow 0} \tilde{R}_k(p) > 0, \quad (\text{S2a})$$

$$\tilde{R}_{k_{\text{IR}} \rightarrow 0}(p) = 0, \quad (\text{S2b})$$

$$\tilde{R}_{k_{\text{UV}} \rightarrow \infty}(p) = \infty. \quad (\text{S2c})$$

For simplicity, we have omitted the indices for the internal degrees of freedom. The first condition signifies the suppression of infrared fluctuations, while the second condition ensures that all fluctuations are included at a small infrared scale k_{IR} . The final condition is crucial for determining the initial condition of the RG flow. It ensures that the system becomes classical, described by $S_{k_{\text{UV}}}(\varphi)$, at a large ultraviolet scale k_{UV} . In terms of the path integral introduced below, this condition validates the saddle-point approximation at $k = k_{\text{UV}}$. Compared to the continuous one, the distinctions in the lattice setup lie in the dispersion relation and the restriction of the momentum to the Brillouin zone. An appropriate regulator choice that accommodates these differences is discussed in Ref. [58].

With this regulator, one can define the effective average action $\Gamma_k(\varphi)$, which interpolates between the bare action $S(\varphi)$ and the effective action $\Gamma(\varphi)$. The definition is:

$$\Gamma_k(\varphi) = \sup_{\mathbf{J}} \left(\sum_{n,\alpha} J_{n,\alpha} \varphi_{n,\alpha} - \ln Z_k(\mathbf{J}) \right) - \frac{1}{2} \sum_{n,\alpha,n,\alpha'} \varphi_{n,\alpha} R_{k,n-n'}^{\alpha\alpha'} \varphi_{n',\alpha'}, \quad (\text{S3})$$

with the path-integral form of the partition function

$$Z_k(\mathbf{J}) = \int d\varphi e^{-S_k(\varphi) + a^d \sum_{n,\alpha} J_{n,\alpha} \varphi_{n,\alpha}}. \quad (\text{S4})$$

The condition $\lim_{k \rightarrow 0} \Gamma_k(\varphi) = \Gamma(\varphi)$ immediately follows from Eq. (S2b). From the saddle-point approximation validated by Eq. (S2c), we have $\Gamma_{k_{\text{UV}}}(\varphi) = S(\varphi) + \text{const.}$ The RG flow equation is derived by the derivative of Eq. (S3) with respect to k :

$$\partial_k \Gamma_k(\varphi) = \frac{1}{2} \sum_{n,\alpha} \sum_{n',\alpha'} \left[\partial_k R_{k,n-n'}^{\alpha\alpha'} \left(\frac{\partial^2 \Gamma_k(\varphi)}{\partial \varphi \partial \varphi} + R_k \right)_{n',\alpha',n\alpha}^{-1} \right], \quad (\text{S5})$$

which is known as the Wetterich equation. Here, the inverse is defined by

$$\sum_{n',\alpha'} \left(\frac{\partial^2 \Gamma_k(\varphi)}{\partial \varphi \partial \varphi} + R_k \right)_{n\alpha,n'\alpha'}^{-1} \left(\frac{\partial^2 \Gamma_k[\varphi]}{\partial \varphi_{n',\alpha'} \partial \varphi_{n'',\alpha''}} + R_{k,n'-n''}^{\alpha'\alpha''} \right) = \delta_{n,n''} \delta_{\alpha\alpha''}. \quad (\text{S6})$$

The Wetterich equation is written in a short-hand notation in the main text.

EXACT CALCULATION, PERTURBATIVE EXPANSION, AND LARGE- N EXPANSION IN THE ZERO-DIMENSIONAL $O(N)$ MODEL

We summarize the numerical procedure for the exact calculation and the results of the perturbative and large- N expansions for the interaction-induced effective action $\gamma(l, \varphi) = \gamma(l, \varphi)$ and the RG-induced self-energy $\sigma(l, \varphi) = \partial_\varphi^2 \gamma(l, \varphi)$ in the zero-dimensional $O(N)$ model. We use the form of the regulator $R_k^{\alpha\alpha'} = r_k \delta_{\alpha\alpha'}$ as in the main text.

The exact results are obtained by directly evaluating the path integral of the partition function:

$$Z_l(\mathbf{J}) = \int d\varphi e^{-\frac{1}{2}m_l^2 \varphi^2 - \frac{g}{4!}(\varphi^2)^2 + \mathbf{J} \cdot \varphi}, \quad (\text{S7})$$

where $m_l^2 = m^2 + r_k$ represents the regulated mass squared. Due to the presence of an $O(N-1)$ symmetry in the φ -space perpendicular to \mathbf{J} , the integral can be simplified as follows:

$$Z_l(J) = \Omega_{N-1} \int_{-\infty}^{\infty} d\varphi e^{-\frac{1}{2}m_l^2 \varphi^2 - \frac{g}{4!}\varphi^4 + J\varphi} Q_{N-2,l}(\varphi^2), \quad (\text{S8})$$

$$Q_{N-2,l}(\varphi^2) = \int_0^\infty dx x^{N-2} e^{-\frac{1}{2}(m_l^2 + \frac{g}{6}\varphi^2)x^2 - \frac{g}{4!}x^4} = \frac{1}{2} \left(\frac{6}{g}\right)^{\frac{N-1}{4}} \Gamma\left(\frac{N-1}{2}\right) U\left(\frac{N-1}{4}, \frac{1}{2}, \frac{3}{2g} \left(m_l^2 + \frac{g}{6}\varphi^2\right)^2\right), \quad (\text{S9})$$

where we have introduced $J = \|\mathbf{J}\|$, the surface area of the unit $(N-1)$ -sphere $\Omega_N = 2\pi^{N/2}/\Gamma(N/2)$, the gamma function $\Gamma(x)$, and the Tricomi's confluent hypergeometric function $U(a, b, z)$. Let $J = J_{\text{sup},l}(\varphi)$ be an external field realizing $\langle \varphi \rangle = \varphi$, i.e., the solution of

$$\varphi = \frac{\partial \ln Z_l}{\partial J}(J_{\text{sup},l}(\varphi)) = \frac{\int_{-\infty}^{\infty} dx x e^{-\frac{1}{2}m_l^2 x^2 - \frac{g}{4!}x^4 + J_{\text{sup},l}(\varphi)x} Q_{N-2,l}(x^2)}{\int_{-\infty}^{\infty} dx e^{-\frac{1}{2}m_l^2 x^2 - \frac{g}{4!}x^4 + J_{\text{sup},l}(\varphi)x} Q_{N-2,l}(x^2)}. \quad (\text{S10})$$

With this external field, the effective action and the self-energy are given by

$$\Gamma(l, \varphi) = J_{\text{sup},k}(\varphi)\varphi - \ln Z_k(J_{\text{sup},k}(\varphi)) - \frac{1}{2}r_k \varphi^2, \quad (\text{S11})$$

$$\Sigma(l, \varphi) = \partial_\varphi^2 \Gamma(l, \varphi) - m^2 = \frac{1}{\langle \varphi^2 \rangle - \varphi^2} - m_l^2, \quad (\text{S12})$$

where correlation function $\langle \varphi^2 \rangle - \varphi^2$ is evaluated by

$$\langle \varphi^2 \rangle - \varphi^2 = \frac{\partial^2 \ln Z_l}{\partial J^2}(J_{\text{sup},l}(\varphi)) = \frac{\int_{-\infty}^{\infty} dx x e^{-\frac{1}{2}m_l^2 x^2 - \frac{g}{4!}x^4 + J_{\text{sup},l}(\varphi)x} (x - \varphi)^2 Q_{N-2,l}(x^2)}{\int_{-\infty}^{\infty} dx e^{-\frac{1}{2}m_l^2 x^2 - \frac{g}{4!}x^4 + J_{\text{sup},l}(\varphi)x} Q_{N-2,l}(x^2)}. \quad (\text{S13})$$

With these $\Gamma(l, \varphi)$ and $\Sigma(l, \varphi)$, we obtain

$$\gamma(l, \varphi) = \Gamma(l, \varphi) - \Gamma(0, \varphi) - \gamma_{\text{free}}(l), \quad (\text{S14})$$

$$\sigma(l, \varphi) = \Sigma(l, \varphi) - \Sigma(0, \varphi), \quad (\text{S15})$$

where $\gamma_{\text{free}}(l) = (N/2) \ln(m_l^2/m_0^2)$ is the solution of

$$\partial_l \gamma_{\text{free}}(l) = \frac{1}{2} \sum_{\alpha=1}^N \partial_l r_k \left(\frac{\partial^2 S_{\text{free}}(\varphi)}{\partial \varphi \partial \varphi} + r_k \right)_{\alpha\alpha}^{-1}, \quad \gamma_{\text{free}}(0) = 0, \quad (\text{S16})$$

with $S_{\text{free}}(\varphi) = m^2 \varphi^2/2$. We numerically solve Eq. (S10) for $J_{\text{sup},l}(\varphi)$ by use of `scipy.optimize.fsolve` in SciPy. With this $J_{\text{sup},l}(\varphi)$, we numerically evaluate Eqs. (S8) and (S13) to obtain $\gamma(l, \varphi)$ and $\sigma(l, \varphi)$. The integrals in Eqs. (S8), (S10), and (S13) are evaluated using the Gauss quadrature method implemented as `scipy.integrate.quad` in SciPy.

The perturbative and large- N expansion results are obtained from Ref. [35]. By substituting the regulated mass squared m_l^2 into these expressions, the results at the scale l for the effective action and self-energy up to the leading order are given by:

$$\Gamma(l, \varphi) = S(\varphi) + N \frac{1 + 2N^{-1}}{24} \tilde{g}_l + \frac{1 + 2N^{-1}}{12} \tilde{g}_l m_l^2 \varphi^2 + \gamma_{\text{free}}(l) + O(\tilde{g}_l^2), \quad (\text{S17})$$

$$\Sigma(l, \varphi) = \partial_{\varphi}^2 S(\varphi) - m^2 + \frac{1 + 2N^{-1}}{6} \tilde{g}_l m_l^2 + O(\tilde{g}_l^2). \quad (\text{S18})$$

Here, the dimensionless quantity $\tilde{g}_l = Ng/m_l^4$ is employed as the expansion parameter instead of g . The result of the large- N expansion up to $O(1)$ is expressed as follows:

$$\Gamma(l, \varphi) = S(\varphi) + N \left(\frac{z_l - 1}{4} - \frac{1}{2} \ln z_l \right) + \frac{1}{2} \ln(2 - z_l) + \frac{1}{2} (z_l^{-1} - 1) m_l^2 \varphi^2 + \gamma_{\text{free}}(l) + O(1/N), \quad (\text{S19})$$

$$\Sigma(l, \varphi) = \partial_{\varphi}^2 S(\varphi) - m^2 + (z_l^{-1} - 1) m_l^2 + O(1/N), \quad (\text{S20})$$

with

$$z_l = \frac{2}{1 + \sqrt{1 + \frac{2}{3} \tilde{g}_l}}. \quad (\text{S21})$$

With these $\Gamma(l, \varphi)$ and $\Sigma(l, \varphi)$, we obtain $\gamma(l, \varphi)$ and $\sigma(l, \varphi)$ from Eqs. (S14) and (S15).

DETAILS ABOUT TRAINING

We provide some details about the training and information about the convergence of our results. We optimize our NN to minimize L_{θ} (L_{θ}^{pre}) in the main text for the training of the Wetterich equation (the pretraining). The expectations of these equations are approximately evaluated on a finite number of collocation points:

$$L_{\theta} \approx \frac{1}{N_{\text{col}}} \sum_{n=1}^{N_{\text{col}}} \left[\left(\partial_l \gamma(l^{(n)}, \varphi^{(n)}; \theta) + \partial_l \gamma_{\text{free}}(l^{(n)}) - \frac{1}{2} \sum_{\alpha, \alpha'} \partial_l R_{k^{(n)}}^{\alpha \alpha'} \left(\frac{\partial^2 S(\varphi^{(n)})}{\partial \varphi \partial \varphi} + \frac{\partial^2 \gamma(l^{(n)}, \varphi^{(n)}; \theta)}{\partial \varphi \partial \varphi} + R_{k^{(n)}} \right)_{\alpha', \alpha}^{-1} \right)^2 \right], \quad (\text{S22})$$

TABLE S1. Computational times for the pretraining and the training of the Wetterich equation (labeled by Wetterich) on an NVIDIA A100 GPU. The results are consistent for $\tilde{g} = 0.1, 1, 10$.

N	1	10	100
Pretraining	4m	4m	6m
Wetterich	6h	7h	11h

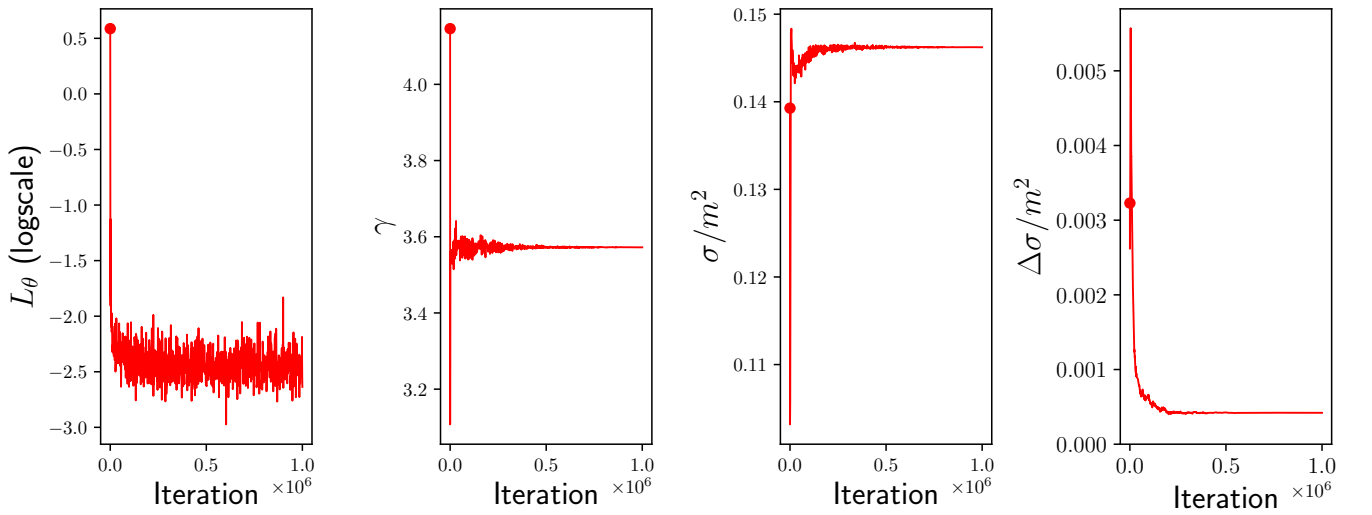


FIG. S1. Learning curve and the histories of $\gamma = \gamma(l_{\text{end}}, \mathbf{0})$, the average σ/m^2 , and the standard deviation $\Delta\sigma/m^2$ of $\sigma_{\alpha}(l, \mathbf{0})/m^2$ with respect to α in the case of $N = 100$ and $\tilde{g} = 1$. The red dots indicate the initial values.

$$L_{\boldsymbol{\theta}}^{\text{pre}} \approx \frac{1}{N_{\text{col}}} \sum_{n=1}^{N_{\text{col}}} \left[(\gamma(l^{(n)}, \boldsymbol{\varphi}^{(n)}; \boldsymbol{\theta}) - \gamma^{\text{1pt}}(l^{(n)}, \boldsymbol{\varphi}^{(n)}))^2 \right], \quad (\text{S23})$$

where $l^{(n)} (= \ln(k_{\text{UV}}/k^{(n)}))$ and $\boldsymbol{\varphi}^{(n)}$ are randomly sampled following the probability distributions $\mathcal{P}_{\boldsymbol{\varphi}}$ and \mathcal{P}_l as outlined in the main text. Specifically, we choose $N_{\text{col}} = 500$ collocation points, which are refreshed each time the optimization functions are assessed.

For the numerical implementation, we employ Pytorch. The learning rate for the Adam optimizer is initially set to 10^{-4} and exponentially decays with a factor of 0.99999. The learning rate is fixed at 10^{-3} in the pretraining phase. It is worth noting that the computational cost of evaluating the matrix inverse in $L_{\boldsymbol{\theta}}$ is substantial. To facilitate implementation, we directly compute the inversion using the `torch.linalg.inv` function in Pytorch. Efficiency enhancement, potentially utilizing alternative algorithms such as the Hutchinson trace estimator [59], is reserved for future study.

The training process involves 10^6 iterations for the Wetterich equation and 10^5 for the pretraining. Table S1 provides an overview of the computational time required. With this iteration count, we observe the convergence of $L_{\boldsymbol{\theta}}$ and physical quantities. As illustrated in Fig. S1, we present a learning curve along with the histories of $\gamma = \gamma(l_{\text{end}}, \mathbf{0})$ and the average σ/m^2 , as well as the standard deviation $\Delta\sigma/m^2$ of $\sigma_{\alpha}(l, \mathbf{0})/m^2$ with respect to α for the case of $N = 100$ and $\tilde{g} = 1$. In the initial iterations, $L_{\boldsymbol{\theta}}$ rapidly decreases, and the physical quantities approach convergence quickly. Subsequently, as the learning rate decays, physical quantities gradually converge. The diminishing $\Delta\sigma/m^2$ over iterations indicates successfully reproducing the $O(N)$ symmetry during training.