

A universal scheme to self-test any quantum state and extremal measurement

Shubhayan Sarkar,^{1,2,*} Alexandre C. Orthey, Jr.,¹ and Remigiusz Augusiak¹

¹Center for Theoretical Physics, Polish Academy of Sciences, Aleja Lotników 32/46, 02-668 Warsaw, Poland

²Laboratoire d'Information Quantique, Université libre de Bruxelles (ULB), Av. F. D. Roosevelt 50, 1050 Bruxelles, Belgium

The emergence of quantum devices has raised a significant issue: how to certify the quantum properties of a device without placing trust in it. To characterise quantum states and measurements in a device-independent way, up to some degree of freedom, we can make use of a technique known as self-testing. While schemes have been proposed to self-test all pure multipartite entangled states (up to complex conjugation) and real local rank-one projective measurements, little has been done to certify mixed entangled states, composite or non-projective measurements. By employing the framework of quantum networks, we propose a scheme for self-testing (up to complex conjugation) arbitrary extremal measurements, including the projective ones, but also in an indirect way any quantum states, including the mixed ones. The quantum network considered in this work is the simple star network, which is implementable using current technologies. For our purposes, we also construct a scheme that can be used to self-test the two-dimensional tomographically complete set of measurements with an arbitrary number of parties.

Introduction.—Demonstrating the strength of quantum systems over classical ones in tasks like computation and cryptography has been one of the most important advancements in quantum information theory. These quantum protocols are more efficient and secure when compared to the classical ones. To implement these protocols, it is thus necessary to certify the *quantumness* of a given device. The traditional methods of certifying a quantum state or a measurement rely on trusting the devices involved in the scheme, which are referred to as device-dependent schemes. For instance, any quantum state can be device-dependently verified if one has complete knowledge of the measurement apparatuses. However, from a practical perspective, it is unreasonable to completely trust the device. Therefore, it is highly desirable to devise certification schemes where the assumptions made on the devices are minimal, also referred to as device-independent (DI) certification schemes. DI schemes allow one to verify the non-trivial quantum properties of an unknown device by only observing the statistical data it generates. The essential resources for any DI scheme are Bell nonlocal correlations that cannot be reproduced via any local (or simply classical) hidden variable models [1–3]. For instance, observation of the violation of a Bell inequality certifies in a DI manner that the device operates on an entangled state.

Interestingly, the observation of Bell nonlocality in the data produced by a given device can provide a lot more information about its internal working than just the presence of entanglement. The strongest and most complete form of Bell nonlocality-based certification, known as self-testing [4, 5], allows for almost full characterization of the underlying quantum state and measurements performed on it.

In recent years, a plethora of schemes have been proposed to self-test pure quantum states or quantum measurements (see, e.g., Refs. [6–20]). In particular, Refs.

[13] and [19] propose self-testing strategies for any bipartite or multipartite pure entangled states, where the second method is based on the quantum networks scenario. The only scheme to self-test a mixed entangled state, in particular, a bound entangled state, was only recently proposed in Ref. [20] (see nevertheless Refs. [21, 22]). As for quantum measurements, apart from a bunch of schemes allowing to certify various examples of quantum measurements [14, 16, 17, 23, 24], including the composite ones [20, 25–27], a general method to certify any real local rank-one projective measurement has only very recently been designed in Ref. [24]. Despite this progress, there exist no single unified scheme that allows for certification of quantum measurements and quantum states (pure or mixed). Moreover, no general scheme for quantum networks-based certification of composite measurements has been proposed.

The main aim of this work is to address the above challenges and provide a universal scheme that can be used to self-test (up to complex conjugate) any extremal generalized quantum measurement (POVM) acting on arbitrary finite-dimensional Hilbert space. Our scheme also includes all projective measurements as any projective measurement in extremal. Interestingly, our approach allows also for an indirect certification of any, even mixed quantum state. For our purposes, we utilise the framework of quantum networks consisting of an arbitrary number of parties and sources (as depicted in Fig. 1 and explained later in the text). We first propose a Bell inequality that can be used to self-test the two-dimensional tomographically complete set of measurements with arbitrary number of parties. Based on this, we are then able to certify any extremal POVM and eventually any quantum state. It is worth mentioning that, unlike the standard self-testing statements, our scheme requires additional causality constraints that are natural in quantum networks, in particular, that the sources are statistically independent. Our scheme is

simple and can be implemented using the current infrastructure of quantum networks [28–30].

Before proceeding toward the main results, let us first introduce the scenario and relevant notions required throughout this work.

Preliminaries.—The quantum network scenario under scrutiny is composed of an external group of N Alices, denoted A_i ($i = 1, \dots, N$), and a central party E called Eve. All the $N + 1$ parties are spatially separated. Correspondingly, N independent sources distribute bipartite quantum states, in general, entangled states among the parties, as depicted in Fig. 1. These states are denoted by $\rho_{A_i E_i}$, where the subsystems A_i will be measured by the external parties, whilst the other subsystems E_i go to Eve. On their shares of the joint state $\rho_{AE} = \bigotimes_{i=1}^N \rho_{A_i E_i}$, where we denoted $A := A_1 \dots A_N$ and $E := E_1 \dots E_N$, each external party A_i performs one of three available measurements, each with two outcomes; the measurement choices and outcomes of party A_i are denoted $x_i = 0, 1, 2$ and $a_i = 0, 1$, respectively. At the same time, the central party Eve freely chooses to perform one of two measurements where the first one has 2^N outcomes, whereas the second one has $K \leq 2^N$ outcomes. We denote Eve's measurement choices by $e = 0, 1$ and outcomes by $l = 0, \dots, 2^N - 1/K$. Let us add here that the first Eve's measurement is used to certify the external parties' measurements as well as the states prepared by the sources whereas the second measurement is the one to be certified. Importantly, the parties cannot communicate classically during the experiment.

After running many rounds of the above measurements, all the parties can bring their data together to reconstruct the set of probability distributions $\vec{p} = \{p(\mathbf{a}|x\mathbf{e})\}$ which describe the correlations that are produced between all the observers, where each $p(\mathbf{a}|x\mathbf{e})$ is the probability of obtaining outcomes $a_1 \dots a_N =: \mathbf{a}$ by all the Alices and l by Eve after they perform the measurements labelled by $x_1 \dots x_N =: \mathbf{x}$ and e , respectively. From Born's rule, we can write

$$p(\mathbf{a}|x\mathbf{e}) = \text{Tr} \left[\rho_{AE} \left(\bigotimes_{i=1}^N M_{a_i|x_i} \otimes R_{l|e} \right) \right], \quad (1)$$

where $M_{i,x_i} = \{M_{a_i|x_i}\}$, for every i , and $E_e = \{R_{l|e}\}$ are the measurements performed by parties A_i and E . The measurement elements $M_{a_i|x_i}$ and $R_{l|e}$ are positive semi-definite and sum up to the identity on the respective Hilbert space for every measurement choice x_i or e of all $N + 1$ parties.

To better understand the observed correlations, expressing them in terms of the expected values of external observables can be helpful. These values are defined as

$$\langle A_{1,x_1} \dots A_{N,x_N} R_{l|e} \rangle = \sum_{a_1 \dots a_N=0}^1 (-1)^{\sum_{i=1}^N a_i} p(\mathbf{a}|x\mathbf{e}). \quad (2)$$

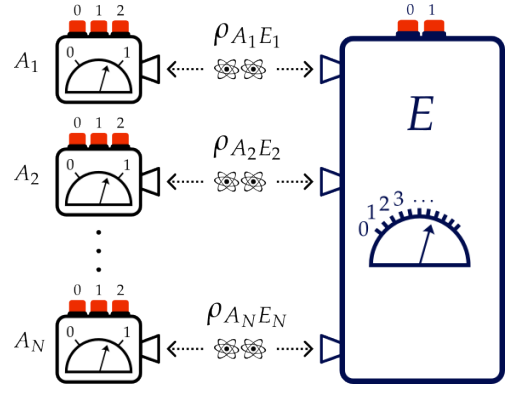


FIG. 1. **Depiction of the quantum network scenario.** It consists of $N + 1$ parties, namely, A_i ($i = 1, \dots, N$), and E , and N independent sources distributing bipartite quantum states $\rho_{A_i E_i}$ among the parties as shown in the figure. The central party E shares quantum states with each one of the other external parties A_i . While each A_i has three inputs and two outcomes, E has two inputs, The first Eve's measurement has $2^N - 1$ outcomes, whereas the second one has K outcomes.

It is important to note that by using Eq. (1), these expectation values can be expressed as $\langle A_{1,x_1} \dots A_{N,x_N} R_{l|e} \rangle = \text{Tr}[(\bigotimes_{i=1}^N A_{i,x_i}) \otimes R_{l|e} \rho_{AE}]$, where A_{i,x_i} are quantum operators defined via the measurement elements as $A_{i,x_i} = M_{0|x_i} - M_{1|x_i}$ for every x_i and i . Notice that in a particular case when the measurement $\{M_{0|x_i}, M_{1|x_i}\}$ is projective, the corresponding operator A_{x_i} becomes a standard hermitian observable with ± 1 eigenvalues. For our convenience, in the above representation Eve's measurements remain represented in terms of the measurement elements $R_{l|e}$ instead of observables.

Self-testing.—Let us introduce the idea of self-testing by referring back to the scenario shown in Fig. 1. First, we assume that the measurements conducted by the parties and the states $\rho_{A_i E_i} \in \mathcal{L}(\mathcal{H}_{A_i} \otimes \mathcal{H}_{E_i})$ for $i = 1, \dots, N$ are unknown. The only knowledge that Alices and Eve have about the whole system is encoded in the observed correlations \vec{p} . It is worth pointing out already now that since the dimensions of the local Hilbert spaces \mathcal{H}_{A_i} and \mathcal{H}_{E_i} are unspecified, we can utilise the standard dilation argument and presume that the shared states are pure, i.e., $\rho_{A_i E_i} = |\psi_{A_i E_i}\rangle\langle\psi_{A_i E_i}|$. On the same ground we can also assume that the measurements of the external parties are projective. However, this assumption can be dropped by employing a more general sum of squares decomposition of the Bell operators corresponding to the inequalities (6) which take into account that the measurements are not projective.

Let us then consider another, reference experiment giving rise to the same correlations \vec{p} which is performed on known quantum states shared by the parties $|\psi'_{A_i E_i}\rangle \in \mathcal{H}'_{A_i} \otimes \mathcal{H}'_{E_i}$ and with known measurements A'_{i,x_i} and E'_e of Alices and Eve, respectively, where \mathcal{H}'_{A_i}

and \mathcal{H}_{E_i} are some Hilbert spaces of known dimension. The task of self-testing is to deduce from the observed \vec{p} that the actual experiment is equivalent to the reference one in the following sense: (i) the local Hilbert spaces admit the product form $\mathcal{H}_{A_i} = \mathcal{H}_{A'_i} \otimes \mathcal{H}_{A''_i}$ and $\mathcal{H}_{E_i} = \mathcal{H}_{E'_i} \otimes \mathcal{H}_{E''_i}$ for some auxiliary Hilbert spaces $\mathcal{H}_{A'_i}$ and $\mathcal{H}_{E''_i}$; and (ii) there are local unitary operations $U_{A_i} : \mathcal{H}_{A_i} \rightarrow \mathcal{H}_{A'_i} \otimes \mathcal{H}_{A''_i}$ and $U_{E_i} : \mathcal{H}_{E_i} \rightarrow \mathcal{H}_{E'_i} \otimes \mathcal{H}_{E''_i}$ such that

$$(U_{A_i} \otimes U_{E_i})|\psi_{A_i E_i}\rangle = |\psi_{A'_i E'_i}\rangle \otimes |\zeta_{A''_i E''_i}\rangle, \quad (3)$$

where $|\zeta_{A''_i E''_i}\rangle \in \mathcal{H}_{A''_i} \otimes \mathcal{H}_{E''_i}$ is some auxiliary quantum state, and

$$U_{A_i} A_{i,x_i} U_{A_i}^\dagger = A'_{i,x_i} \otimes \mathbb{1}_{A''_i}, \quad U_{E_i} R_{i|e} U_{E_i}^\dagger = R'_{i|e} \otimes \mathbb{1}_{E''_i}, \quad (4)$$

where $\mathbb{1}_{E''_i}$ is the identity acting on the Eve's auxiliary system $\mathcal{H}_{E''_i}$ and $U_E = \bigotimes_{i=1}^N U_{E_i}$ and we use the notation $E'' = E''_1 \dots E''_N$.

If the above conditions (i) and (ii) are met one says that the reference state and measurements are self-tested in the actual experiment from the observed correlations. What is more, for any outcome l of Eve's measurement, the post-measurement states $\rho_A^{l|e}$ held by the external parties A_i , satisfy

$$U_A \rho_A^{l|e} U_A^\dagger = \tilde{\rho}_{A'}^{l|e} \otimes \varrho_{A''}^{l|e}, \quad (5)$$

where $\tilde{\rho}_{A'}^{l|e}$ are the reference post-measured states and $\varrho_{A''}^{l|e}$ are some auxiliary states and $U_A = U_{A_1} \otimes \dots \otimes U_{A_N}$ where U_{A_i} are the same unitary transformations as those in Eqs. (3) and (4), then we say

$$\mathcal{I}_l = (-1)^{l_1} \left[(N-1) \left\langle \tilde{A}_{1,1} \prod_{i=2}^N A_{i,1} \right\rangle + \sum_{i=2}^N (-1)^{l_i} \left\langle \tilde{A}_{1,0} A_{i,0} \right\rangle - (-1)^{l_1} \sum_{i=2}^N (-1)^{l_i} \left\langle A_{1,2} A_{i,2} \prod_{\substack{j=2 \\ j \neq i}}^N A_{j,1} \right\rangle \right] \leq \beta_C, \quad (6)$$

where $l \equiv l_1 \dots l_N$ such that $l_1, l_2, \dots, l_N = 0, 1$ is the binary representation of the outcome l , and

$$\tilde{A}_{1,0} = \frac{A_{1,0} - A_{1,1}}{\sqrt{2}}, \quad \tilde{A}_{1,1} = \frac{A_{1,0} + A_{1,1}}{\sqrt{2}}. \quad (7)$$

Here, $A_{i,j}$ for $i = 1, 2, \dots, N$ and $j = 0, 1, 2$ are the observables measured by the external Alices.

Let us now briefly discuss the main properties of these Bell inequalities. First, it is direct to observe that their maximal values attainable using local deterministic strategies β_C , often referred to as the classical

bound, are the same for any l and amount to $\beta_C = (\sqrt{2} + 1)(N - 1)$ (see Fact 1 of [32] for a proof). Second, the maximal quantum values of \mathcal{I}_l , referred to as the quantum or Tsirelson's bounds, equal $3(N - 1)$ and are achieved by the following observables of the external parties

Let us finally mention that throughout this work, we assume that the local states of $|\psi_{A_i E_i}\rangle$ are full-rank as the local measurements can only be certified on the supports of the local density matrices.

Main results.—We are now ready to present our scheme for self-testing of composite measurements and quantum states. It is divided into three major parts. The first one involves self-testing of the two-dimensional tomographically complete set of Pauli measurements in the measurements of the external parties and the two-qubit Bell states in the states generated by all the sources. The second one involves self-testing any quantum measurement performed by the central party using the states and external parties' measurements as certified in the above first part of the scheme. Lastly, the third part is concerned with applying the first two parts for self-testing the post-measurement state at the external parties' laboratories. As a result, our schemes enable self-testing any quantum state (pure or mixed) distributed between the external parties by Eve's measurements, while also facilitating the self-testing of quantum measurements performed by the central party.

Part 1. To self-test the tomographically complete set of measurements in the external parties' measurement devices and the two-qubit singlets in the states generated by the sources, we introduce the following class of 2^N Bell inequalities that are suitable modifications of those introduced in Refs. [20, 31]:

bound, are the same for any l and amount to $\beta_C = (\sqrt{2} + 1)(N - 1)$ (see Fact 1 of [32] for a proof). Second, the maximal quantum values of \mathcal{I}_l , referred to as the quantum or Tsirelson's bounds, equal $3(N - 1)$ and are achieved by the following observables of the external parties

$$\begin{aligned} A_{1,0} &= \frac{X + Z}{\sqrt{2}}, & A_{1,1} &= \frac{X - Z}{\sqrt{2}}, & A_{1,2} &= Y, \\ A_{i,0} &= Z, & A_{i,1} &= X, & A_{i,2} &= Y \end{aligned} \quad (8)$$

with $i = 2, \dots, N$ and the GHZ-like states

$$|\phi_l\rangle = \frac{1}{\sqrt{2}}(|l_1 \dots l_N\rangle + (-1)^l |\bar{l}_1 \dots \bar{l}_N\rangle), \quad (9)$$

where $l_1, l_2, \dots, l_N = 0, 1$ and $\bar{l}_i = 1 - l_i$ (for a proof see Fact 2 in [32]). Notice that, the measurements in Eq. (8) form a two-dimensional tomographically complete set of measurements for every party. We now comprise the result in the following theorem:

Theorem 1. Consider the scenario depicted in Fig. 1. If the Bell inequalities \mathcal{I}_l (6) for any l are maximally violated when Eve chooses the input $e = 0$ with each outcome occurring with probability $\bar{P}(l|0) = 1/2^N$, then the measurements of the external parties are equivalent, according to Eq. (4), to the reference measurements in (8), whereas the states $|\psi_{A_i E_i}\rangle$ are equivalent in the sense of Eq. (3) to the two-qubit maximally entangled state $|\phi^+\rangle = (|00\rangle + |11\rangle)/\sqrt{2}$.

Sketch of the proof. Here we provide a sketch of the proof, deferring its full version to Appendix A. First, Eve performs the measurement corresponding to the input $e = 0$ and observes an outcome l , in which way she prepares a post-measurement state shared by the external parties. Now, observation of maximal violation of the Bell inequalities \mathcal{I}_l by the external parties allows one to self-test the post-measurement state as well as the external parties' measurements. Then, the additional condition that the probabilities of obtaining the outcome l by Eve when measuring $E_0 = \{R_{l|0}\}$ is $1/2^N$ enables self-testing the states generated by the sources. This in turn also allows us to certify that Eve's measurement E_0 is the Greenberger-Horne-Zeilinger (GHZ) basis $\{|\phi_l\rangle\langle\phi_l|\}$ where $|\phi_l\rangle$ are given in (9).

Part 2. Now, that the measurements performed by the external parties as well as the states generated by the sources are self-tested, we can show how the quantum network can be used to self-test any extremal POVM in the second measurement E_1 performed by the central party (see Fig. 2). For this purpose, let us assume that Eve's reference measurement $E'_1 = \{R'_{l|1}\}$ is now some K -outcome extremal POVM defined on $\mathcal{H}_N = (\mathbb{C}^2)^{\otimes N}$. Now, to self-test this reference measurement in E_1 the parties check whether for all outcomes $l = 1, \dots, K$ and sequences i_1, \dots, i_N with $i_j = 0, 1, 2, 3$, the correlations \vec{p} satisfy the following conditions,

$$\left\langle \tilde{A}_{1,i_1} \otimes \bigotimes_{k=2}^N A_{k,i_k} \otimes (R'_{l|1})_E \right\rangle = f_{i_1, \dots, i_N}^l, \quad (10)$$

where f_{i_1, \dots, i_N}^l are real numbers coming from the decompositions of the measurement operators $R'_{l|1}$ in the N -fold tensor products of the qubit Pauli matrices [see Appendix B of [32] for details]. We can thus state our next result.

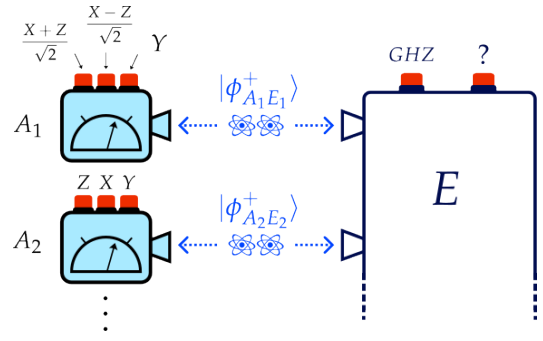


FIG. 2. Self-testing any quantum measurement. First, we have self-tested all the measurements performed by each external party A_i as (8), as well as, the sources as the maximally entangled two-qubit state $|\phi_{A_i E_i}^+\rangle$. Thus, Eve's first measurement is certified to the one in the GHZ basis (9). These are the ingredients sufficient to certify Eve's arbitrary second measurement.

Theorem 2. Consider the scenario depicted in Fig. 2 with states generated by the sources and measurements of the external parties being self-tested as in Theorem 1. If the observed correlations \vec{p} additionally satisfy the conditions (10) for Eve's measurement $E_1 = \{R_{l|1}\}$, then this measurement is self-tested to be the reference rank-one extremal POVM E'_1 , according to the definition (4).

The proof of this statement can be found in Appendix B of [32]. Importantly, the above statement can be extended to any extremal measurement defined on a D -dimensional Hilbert space with arbitrary D . In fact, one can always embed the measurement $\{R'_{l|1}\}$ into $\mathcal{H}_N = (\mathbb{C}^2)^{\otimes N}$ where N is the smallest natural number such that $D < 2^N$. Then, in order to make the measurement fully supported on \mathcal{H}_N one completes it with an additional projector M^\perp such that $\sum_l R'_{l|1} + M^\perp = \mathbb{1}_{2^N}$. This gives rise to an $(K+1)$ -outcome extremal measurement to which Theorem 2 applies. Note that, in the case of composite measurements acting on $\bigotimes_i \mathbb{C}^{D_i}$ each of the i -th local Hilbert spaces need to be embedded in $(\mathbb{C}^2)^{\otimes n_i}$ such that $\sum_i n_i = N$.

We thus obtain a general way of certifying any extremal generalized measurement in the quantum networks scenario. Our scheme is based on violation of a class of simple Bell inequalities (6) and some additional conditions (10) that the observed correlations \vec{p} must satisfy. It is however worth noticing that the generality of our scheme comes at the price of the complexity that grows fast with the dimension of the measurement under consideration and thus with the number of involved external parties.

Part 3. Finally, we are going to show now that using the above setup one can self-test any quantum state. Consider again the network scenario depicted in Fig. 2. It is clear that Eve could remotely prepare different quantum states with the external parties by perform-

ing the concerned quantum measurement on the maximally entangled states generated by the sources. Thus, without loss of generality, the sources along with Eve can be considered a new preparation device. For instance, consider that Eve performs a projective measurement $E_1 = \{|e_1\rangle\langle e_1|, \dots, |e_K\rangle\langle e_K|\}$. Then the post-measurement state shared by the external parties when she obtains an outcome l is $|e_l^*\rangle\langle e_l^*|$ where $*$ represents the complex conjugate. As a corollary to the previous statements, we can state the following fact.

Corollary 1. *Consider the scenario depicted in Fig. 2. If the states generated by the sources along with the measurements performed by the external parties and Eve maximally violate the Bell inequalities (6) and satisfy the statistics (10) when Eve's reference measurements are extremal, then the post-measurement states with the external parties can be self-tested according to (5).*

The proof of this statement can be found in Appendix C of [32]. It is important to emphasise here that, unlike the standard self-testing protocols, our scheme is not restricted to just pure entangled states. Rather, separable states and mixed states of any local dimension can also be self-tested with the external parties, according to (3).

It is simple to observe from the above Corollary that any pure state $|\psi\rangle$ can be self-tested with our scheme by appropriately choosing Eve's projective measurement such that one of its measurement elements, say $R'_{0|1}$ is exactly $R'_{0|1} = |\psi\rangle\langle\psi|$.

Importantly, however, the scheme is not restricted to pure states only and can straightforwardly extended to mixed states. Consider a reference mixed state $\rho = \sum_k p_k |\psi_k\rangle\langle\psi_k|$ acting on \mathbb{C}^d which we aim to self-test. For this purpose, Eve needs to perform an extremal $3d$ -outcome POVM in the Hilbert space \mathbb{C}^{2d} on her share of the joint state $|\psi_{AE}\rangle$ to create ρ at the external parties' labs with the aid of post-processing. To construct this POVM, we first define two sets of d mutually orthogonal vectors $\{|\psi_k\rangle\}$ and $\{|\phi_k\rangle\}$ such that $\langle\psi_k|\phi_{k'}\rangle = 0$ for any k, k' . One then considers a pair $\{|\psi_k\rangle, |\phi_k\rangle\}$ to construct a three-outcome trine POVM [cf. Ref. [33]] as

$$\begin{aligned} M_{k,1} &= p_k |\psi_k\rangle\langle\psi_k|, & M_{k,2} &= \alpha_k |\tau_{k,2}\rangle\langle\tau_{k,2}|, \\ M_{k,3} &= \beta_k |\tau_{k,3}\rangle\langle\tau_{k,3}|, \end{aligned} \quad (11)$$

where for all k the vectors $|\tau_{k,2}\rangle$ and $|\tau_{k,3}\rangle$ are certain linear combinations of the vectors $|\psi_k\rangle$ and $|\phi_k\rangle$ whose explicit forms are given in Eq. (164) in [32] and $\alpha_k = \beta_k = (2 - p_k)/2$. The desired extremal $3d$ -outcome rank-one POVM is one which is composed of all the trine POVM's, i.e., $E'_1 = \{M_{k,m}\}_{k,m}$.

Now, when Eve performs this measurement on her share of the joint state and obtain the outcomes $l \equiv (k, 1)$ with probability $p_k/2^N$, the post-measurement (normalized) states of the external parties are given by $\tilde{\rho}_{(k,1)} =$

$|\psi_k\rangle\langle\psi_k|$. These states are self-testable using Corollary 1. Then, the average state when Eve obtain the outcomes $(k, 1)$ over all k is thus certified to be

$$\begin{aligned} U_A \rho_A U_A^\dagger &= \frac{1}{\sum_k p(k, 1)} \sum_k p(k, 1) U_A \rho_A^{(k,1)} U_A^\dagger \\ &= \left(\sum_k M_{(k,1)} \right) \otimes \tilde{\rho}_{A''} = \rho_{A'} \otimes \tilde{\rho}_{A''}, \end{aligned} \quad (12)$$

or its complex conjugate, which is exactly what we promised. Let us say that the external parties want to perform a task with the state ρ . Then, they perform their task with all the post-measurement states of Eve and after the task is done, just like Bell's scenario Eve announces the outcomes. Now all the parties only consider the statistics when Eve obtains $(k, 1)$ and discard the rest of the statistics.

Discussion. After completing our work, we have identified several follow-up issues. While we have provided a proof-of-principle scheme for self-testing any quantum state and extremal measurement, it is important to note that in actual experiments, the exact statistics mentioned may not be attainable, and instead, values that are close to them will be obtained. One crucial follow-up question is whether our scheme is resilient to experimental imperfections. Additionally, our current scheme requires highly entangled states and measurements, which can be costly to generate. Therefore, it would be interesting to explore the possibility of self-testing quantum states and measurements using partially entangled states and measurements. On the other hand, it would be interesting to generalize this scheme to any quantum measurement. Lastly, as we have utilised the framework of quantum networks, it would be valuable to investigate if our approach can be utilised for multiparty quantum cryptography or key distribution.

This project was funded within the QuantERA II Programme (VERIQ-TAS project) that has received funding from the European Union's Horizon 2020 research and innovation programme under Grant Agreement No 101017733 and from the Polish National Science Center (project No 2021/03/Y/ST2/00175).

* shubhayan.sarkar@ulb.be

- [1] J. S. Bell, On the Einstein-Podolsky-Rosen paradox, *Physics Physique Fizika* **1**, 195 (1964).
- [2] J. S. Bell, On the problem of hidden variables in quantum mechanics, *Rev. Mod. Phys.* **38**, 447 (1966).
- [3] N. Brunner, D. Cavalcanti, S. Pironio, V. Scarani, and S. Wehner, Bell nonlocality, *Rev. Mod. Phys.* **86**, 419 (2014).
- [4] D. Mayers and A. Yao, Quantum cryptography with imperfect apparatus, in *Proceedings 39th Annual Sympo-*

- sium on Foundations of Computer Science (Cat. No. 98CB36280)** (IEEE, 1998) pp. 503–509.
- [5] D. Mayers and A. Yao, Self testing quantum apparatus, *Quantum Inf. Comput.* **4**, 273 (2004).
- [6] M. McKague, T. H. Yang, and V. Scarani, Robust self-testing of the singlet, *J. Phys. A: Math. Theor.* **45**, 455304 (2012).
- [7] B. Reichardt, F. Unger, and U. Vazirani, Classical command of quantum systems, *Nature* **496**, 456 (2013).
- [8] M. McKague, Self-testing graph states, in **Theory of Quantum Computation, Communication, and Cryptography**, edited by D. Bacon, M. Martin-Delgado, and M. Roetteler (Springer Berlin Heidelberg, Berlin, Heidelberg, 2014) pp. 104–120.
- [9] X. Wu, Y. Cai, T. H. Yang, H. N. Le, J.-D. Bancal, and V. Scarani, Robust self-testing of the three-qubit W state, *Phys. Rev. A* **90**, 042339 (2014).
- [10] C. Bamps and S. Pironio, Sum-of-squares decompositions for a family of Clauser-Horne-Shimony-Holt-like inequalities and their application to self-testing, *Phys. Rev. A* **91**, 052111 (2015).
- [11] Y. Wang, X. Wu, and V. Scarani, All the self-testings of the singlet for two binary measurements, *New J. Phys.* **18**, 025021 (2016).
- [12] I. Šupić, R. Augusiak, A. Salavrakos, and A. Acín, Self-testing protocols based on the chained Bell inequalities, *New J. Phys.* **18**, 035013 (2016).
- [13] A. Coladangelo, K. T. Goh, and V. Scarani, All pure bipartite entangled states can be self-tested, *Nature Communications* **8**, 15485 (2017).
- [14] J. Kaniewski, I. Šupić, J. Tura, F. Baccari, A. Salavrakos, and R. Augusiak, Maximal nonlocality from maximal entanglement and mutually unbiased bases, and self-testing of two-qutrit quantum systems, *Quantum* **3**, 198 (2019).
- [15] L. Mančinska, J. Prakash, and C. Schafhauser, Constant-sized robust self-tests for states and measurements of unbounded dimension, *arXiv:2103.01729* (2021).
- [16] A. Tavakoli, M. Farkas, D. Rosset, J.-D. Bancal, and J. Kaniewski, Mutually unbiased bases and symmetric informationally complete measurements in Bell experiments, *Science Advances* **7**, eabc3847 (2021).
- [17] S. Sarkar, D. Saha, J. Kaniewski, and R. Augusiak, Self-testing quantum systems of arbitrary local dimension with minimal number of measurements, *npj Quantum Information* **7**, 151 (2021).
- [18] S. Sarkar and R. Augusiak, Self-testing of multipartite greenberger-horne-zeilinger states of arbitrary local dimension with arbitrary number of measurements per party, *Phys. Rev. A* **105**, 032416 (2022).
- [19] I. Šupić, J. Bowles, M.-O. Renou, A. Acín, and M. J. Hoban, Quantum networks self-test all entangled states, *Nat. Phys.* **19**, 670 (2023).
- [20] S. Sarkar, C. Datta, S. Halder, and R. Augusiak, Self-testing composite measurements and bound entangled state in a unified framework, *arXiv:2301.11409* (2023).
- [21] F. Baccari, R. Augusiak, I. Šupić, and A. Acín, Device-independent certification of genuinely entangled subspaces, *Phys. Rev. Lett.* **125**, 260507 (2020).
- [22] I. Frérot and A. Acín, Coarse-grained self-testing, *Phys. Rev. Lett.* **127**, 240401 (2021).
- [23] E. Woodhead, J. Kaniewski, B. Bourdoncle, A. Salavrakos, J. Bowles, A. Acín, and R. Augusiak, Maximal randomness from partially entangled states, *Phys. Rev. Research* **2**, 042028 (2020).
- [24] R. Chen, J. Volčič, and L. Mančinska, All projective measurements can be self-tested, *arXiv:2302.00974* (2023).
- [25] M.-O. Renou, J. Kaniewski, and N. Brunner, Self-testing entangled measurements in quantum networks, *Phys. Rev. Lett.* **121**, 250507 (2018).
- [26] Q. Zhou, X.-Y. Xu, S. Zhao, Y.-Z. Zhen, L. Li, N.-L. Liu, and K. Chen, Robust self-testing of multipartite Greenberger-Horne-Zeilinger-state measurements in quantum networks, *Phys. Rev. A* **106**, 042608 (2022).
- [27] I. Šupić and N. Brunner, Self-testing nonlocality without entanglement, *arXiv:2203.13171* (2022).
- [28] D. Wu, Y.-F. Jiang, X.-M. Gu, L. Huang, B. Bai, Q.-C. Sun, X. Zhang, S.-Q. Gong, Y. Mao, H.-S. Zhong, M.-C. Chen, J. Zhang, Q. Zhang, C.-Y. Lu, and J.-W. Pan, Experimental refutation of real-valued quantum mechanics under strict locality conditions, *Phys. Rev. Lett.* **129**, 140401 (2022).
- [29] N.-N. Wang, A. Pozas-Kerstjens, C. Zhang, B.-H. Liu, Y.-F. Huang, C.-F. Li, G.-C. Guo, N. Gisin, and A. Tavakoli, Certification of non-classicality in all links of a photonic star network without assuming quantum mechanics, *Nature Communications* **14**, 10.1038/s41467-023-37842-w (2023).
- [30] X.-M. Gu, L. Huang, A. Pozas-Kerstjens, Y.-F. Jiang, D. Wu, B. Bai, Q.-C. Sun, M.-C. Chen, J. Zhang, S. Yu, Q. Zhang, C.-Y. Lu, and J.-W. Pan, Experimental full network nonlocality with independent sources and strict locality constraints, *Phys. Rev. Lett.* **130**, 190201 (2023).
- [31] F. Baccari, R. Augusiak, I. Šupić, J. Tura, and A. Acín, Scalable Bell inequalities for qubit graph states and robust self-testing, *Phys. Rev. Lett.* **124**, 020402 (2020).
- [32] See Supplemental Material.
- [33] E. Woodhead, J. Kaniewski, B. Bourdoncle, A. Salavrakos, J. Bowles, A. Acín, and R. Augusiak, Maximal randomness from partially entangled states, *Phys. Rev. Res.* **2**, 042028 (2020).
- [34] G. M. D’Ariano, P. L. Presti, and P. Perinotti, Classical randomness in quantum measurements, *J. Phys. A: Math. Gen.* **38**, 5979 (2005).
- [35] S. Sarkar, J. J. Borkala, C. Jebarathinam, O. Makuta, D. Saha, and R. Augusiak, Self-testing of any pure entangled state with the minimal number of measurements and optimal randomness certification in a one-sided device-independent scenario, *Phys. Rev. Appl.* **19**, 034038 (2023).

Supplementary Material: A universal scheme to self-test any quantum state and measurement

Appendix A: Self-testing of N-GHZ bases, measurements of external parties, and the states prepared by the preparation devices

Bell inequalities

Let us consider the following 2^N Bell inequalities inspired from [20, 31]:

$$\mathcal{I}_l = (-1)^{l_1} \left\langle (N-1) \tilde{A}_{1,1} \otimes \bigotimes_{i=2}^N A_{i,1} + \sum_{i=2}^N (-1)^{l_i} \tilde{A}_{1,0} \otimes A_{i,0} - (-1)^{l_1} \sum_{i=2}^N (-1)^{l_i} A_{1,2} \otimes A_{i,2} \otimes \bigotimes_{\substack{j=2 \\ j \neq i}}^N A_{j,1} \right\rangle \leq \beta_C, \quad (13)$$

where $l \equiv l_1 l_2 \dots l_N$ with $l_i = 0, 1$ for each $i = 1, \dots, N$ is the binary representation of l , and

$$\tilde{A}_{1,0} = \frac{A_{1,0} - A_{1,1}}{\sqrt{2}}, \quad \tilde{A}_{1,1} = \frac{A_{1,0} + A_{1,1}}{\sqrt{2}}. \quad (14)$$

Here, $A_{i,j}$ for $i = 1, 2, \dots, N$ and $j = 0, 1, 2$ correspond to the observables of all the parties.

Fact 1. *The maximal classical value of the Bell expressions \mathcal{I}_l for any l is $\beta_C = (\sqrt{2} + 1)(N - 1)$.*

Proof. To compute the maximal classical value of \mathcal{I}_l it is enough to optimize it over local deterministic strategies for which all the expectation values are products of the local ones, and, moreover, the local expectation values equal either 1 or -1 . Let us begin by noting that the maximal value of the last sum in Eq. (13) over such strategies is $N - 1$ and it is independent of the choice of the maximal values of the first two term. To determine the latter we can consider two cases: $A_{1,0} = A_{1,1}$ and $A_{1,0} \neq A_{1,1}$. In the first one, the maximal value of the first term in Eq. (13) is $\sqrt{2}(N - 1)$, whereas the second term vanishes. In the second case, the first term in \mathcal{I}_l vanishes, whereas the maximal value of the second term is again $\sqrt{2}(N - 1)$. Thus, $\beta_C = (\sqrt{2} + 1)(N - 1)$. \square

Fact 2. *The maximal quantum value of the Bell expression \mathcal{I}_l is $3(N - 1)$ and it is achieved by the following observables*

$$A_{1,0} = \frac{X + Z}{\sqrt{2}}, \quad A_{1,1} = \frac{X - Z}{\sqrt{2}}, \quad A_{1,2} = Y, \quad A_{i,0} = Z, \quad A_{i,1} = X, \quad A_{i,2} = Y \quad (i = 2, \dots, N) \quad (15)$$

as well as the GHZ-like states

$$|\phi_l\rangle = \frac{1}{\sqrt{2}} (|l_1 \dots l_N\rangle + (-1)^{l_1} |\bar{l}_1 \dots \bar{l}_N\rangle), \quad (16)$$

where $l \equiv l_1 l_2 \dots l_N$ with $l_1, l_2, \dots, l_N = 0, 1$ and $\bar{l}_i = 1 - l_i$.

Proof. The following proof is inspired by Refs. [20, 31]. Let us first associate a Bell operator to each of the Bell expressions \mathcal{I}_l (13) of the following form

$$\hat{\mathcal{I}}_l = (N-1)(-1)^{l_1} \tilde{A}_{1,1} \otimes \bigotimes_{i=2}^N A_{i,1} + \sum_{i=2}^N (-1)^{l_1+l_i} \tilde{A}_{1,0} \otimes A_{i,0} - \sum_{i=2}^N (-1)^{l_i} A_{1,2} \otimes A_{i,2} \otimes \bigotimes_{\substack{j=2 \\ j \neq i}}^N A_{j,1}. \quad (17)$$

Now, for each $\hat{\mathcal{I}}_l$ we can find the following sum-of-squares (SOS) decomposition,

$$2 [3(N-1) \mathbb{1} - \hat{\mathcal{I}}_l] \geq (N-1) P_{l_1}^2 + \sum_{i=2}^N R_{i,l_1,l_i}^2 + \sum_{i=2}^N Q_{i,l_i}^2, \quad (18)$$

where

$$P_{l_1} = (-1)^{l_1} \tilde{A}_{1,1} - \bigotimes_{i=2}^N A_{i,1}, \quad (19a)$$

$$R_{i,l_i} = (-1)^{l_i} \tilde{A}_{1,0} - A_{i,0}, \quad (19b)$$

$$Q_{i,l_i} = (-1)^{l_i} A_{1,2} + A_{i,2} \otimes \bigotimes_{\substack{j=2 \\ j \neq i}}^N A_{j,1}. \quad (19c)$$

Notice that by expanding the terms on the right-hand side of the above decomposition (18) one obtains

$$\begin{aligned} (N-1) \left(\tilde{A}_{1,1}^2 + \tilde{A}_{1,0}^2 + A_{1,2}^2 \right) + (N-1) \bigotimes_{i=2}^N A_{i,1}^2 + \sum_{i=2}^N A_{i,2}^2 \otimes \bigotimes_{\substack{j=2 \\ j \neq i}}^N A_{j,1}^2 + \sum_{i=2}^N A_{i,0}^2 - 2 \hat{\mathcal{I}}_l \\ \leq 2 [3(N-1) \mathbb{1} - \hat{\mathcal{I}}_l], \end{aligned} \quad (20)$$

where to arrive at the last line we used the fact that $\tilde{A}_{i,j}^2 \leq \mathbb{1}$. Thus, one can conclude from (20) that $3(N-1)$ is an upper bound on \mathcal{I}_l when using quantum theory. One can easily verify that the Bell inequalities (13) attain the value $3(N-1)$ when the states shared among the parties are the GHZ-like state $|\phi_l\rangle$ (16) and the observables given in Eq. (15). Thus, the Tsirelson's bound of the Bell inequalities (13) for any l is $3(N-1)$. \square

An important observation from the above SOS decomposition is that when the maximal violation of the above Bell inequalities is attained, the right-hand side of Eq. (18) is 0. Thus, any state $|\psi\rangle$ and observables $A_{i,j}$ that attain the maximal violation of the Bell inequalities (13) for any l is given by

$$(-1)^{l_i} \tilde{A}_{1,1} |\psi\rangle = \bigotimes_{i=2}^N A_{i,1} |\psi\rangle, \quad (21a)$$

$$(-1)^{l_i} \tilde{A}_{1,0} |\psi\rangle = A_{i,0} |\psi\rangle \quad (i = 2, \dots, N), \quad (21b)$$

$$-(-1)^{l_i} A_{1,2} |\psi\rangle = A_{i,2} \otimes \bigotimes_{\substack{j=2 \\ j \neq i}}^N A_{j,1} |\psi\rangle \quad (i = 2, \dots, N). \quad (21c)$$

Also, one can conclude from Eq. (20) that the observables that attain the maximum violation of the Bell inequalities (13) must be unitary, that is, $A_{i,j}^2 = \mathbb{1}$. These relations will be particularly useful for self-testing.

Self-testing

Theorem 1. Assume that the Bell inequalities (13) for any l are maximally violated and each outcome of the central party occurs with probability $\bar{P}(l|0) = 1/2^N$ where N denotes the number of external parties. The sources P_i prepare the states $|\psi_{A_i E_i}\rangle \in \mathcal{H}_{A_i} \otimes \mathcal{H}_{E_i}$ for $i = 1, 2, \dots, N$, the measurement with the central party is given by $\{R_{l|0}\}$ for $l = l_1 l_2 \dots l_N$ such that $l_i = 0, 1$ which acts on $\bigotimes_{i=1}^N \mathcal{H}_{E_i}$, the local observables for each of the party is given by $A_{i,0}$, $A_{i,1}$, and $A_{i,2}$ for $i = 1, 2, \dots, N$ which act on \mathcal{H}_{A_i} . Then,

1. The Hilbert spaces of all the parties decompose as $\mathcal{H}_{A_i} = \mathcal{H}_{A'_i} \otimes \mathcal{H}_{A''_i}$ and $\mathcal{H}_{E_i} = \mathcal{H}_{E'_i} \otimes \mathcal{H}_{E''_i}$, where $\mathcal{H}_{A'_i}$ and $\mathcal{H}_{E'_i}$ are qubit Hilbert spaces, whereas $\mathcal{H}_{A''_i}$ and $\mathcal{H}_{E''_i}$ are some finite-dimensional but unknown auxiliary Hilbert spaces.
2. There exist local unitary transformations $U_{A_i} : \mathcal{H}_{A_i} \rightarrow (\mathbb{C}^2)_{A'} \otimes \mathcal{H}_{A''_i}$ and $U_{E_i} : \mathcal{H}_{E_i} \rightarrow (\mathbb{C}^2)_{A'} \otimes \mathcal{H}_{E''_i}$ such that the states are given by

$$U_{A_i} \otimes U_{E_i} |\psi_{A_i E_i}\rangle = |\phi_{A'_i E'_i}^+\rangle \otimes |\xi_{A''_i E''_i}\rangle. \quad (22)$$

3. The measurement of the central party is

$$U_E R_l U_E^\dagger = |\phi_l\rangle\langle\phi_l|_{E'} \otimes \mathbb{1}_{E''} \quad \forall l, \quad (23)$$

where $U_E = U_{E_1} \otimes \dots \otimes U_{E_N}$ and $|\phi_l\rangle$ are given in Eq. (16). The measurements of all the other parties are given by

$$\begin{aligned} U_{A_1 A_{1,0}} U_{A_1}^\dagger &= \left(\frac{X+Z}{\sqrt{2}} \right)_{A_1'} \otimes \mathbb{1}_{A_1''}, & U_{A_1 A_{1,1}} U_{A_1}^\dagger &= \left(\frac{X-Z}{\sqrt{2}} \right)_{A_1'} \otimes \mathbb{1}_{A_1''}, \\ U_{A_i A_{i,0}} U_{A_i}^\dagger &= Z_{A_i'} \otimes \mathbb{1}_{A_i''}, & U_{A_i A_{i,1}} U_{A_i}^\dagger &= X_{A_i'} \otimes \mathbb{1}_{A_i''} \quad (i = 2, \dots, N) \end{aligned} \quad (24)$$

and,

$$U_{A_i A_{i,2}} U_{A_i}^\dagger = \pm Y_{A_i'} \otimes \mathbb{1}_{A_i''} \quad \forall i. \quad (25)$$

Proof. Before proceeding, let us recall that the state shared among the external parties A_i when the central party E_i gets an outcome l is given by

$$\rho_A^l = \frac{1}{P(l|0)} \text{Tr}_E \left[(\mathbb{1}_A \otimes R_l) \bigotimes_{i=1}^N |\psi_{A_i E_i}\rangle\langle\psi_{A_i E_i}| \right], \quad (26)$$

where we denoted $A_1 \dots A_N \equiv A$ and $E_1 \dots E_N \equiv E$. Similar notation will be used for A' , A'' , E' , and E'' . Now, we first find the states ρ_A^l for any l and characterise the measurements $A_{i,j}$ for any i and $j = 0, 1$. Then, using these derived states, we certify the states generated by the sources $|\psi_{A_i E_i}\rangle$ for all i . Then, using both of these results we certify the measurement $\{R_{l|0}\}$. For simplicity, we represent $R_{l|0} \equiv R_l$ in the below proof. Finally, using all the derived results, we characterise the observables $A_{i,2}$.

A. Post-measurement states ρ_A^l

To characterize the post-measurement states ρ_A^l based on violation of our Bell inequalities we need to consider the relations (21a) and (21b) obtained from the sum of squares decomposition of the corresponding Bell operators. First, let us consider a purification of the state ρ_A^l which is obtained by adding an ancillary system G such that

$$\rho_A^l = \text{Tr}_G (|\psi_l\rangle\langle\psi_l|_{AG}). \quad (27)$$

In what follows, for simplicity, we drop the subscript AG from the state $|\psi_l\rangle_{AG}$.

Now, for each outcome of the measurement performed by the central party, the corresponding Bell inequalities (13) are maximally violated by the post-measurement states $|\psi_l\rangle$. Thus, these states and the observables of every party must satisfy the relations (21a) and (21b), which we state as:

$$(-1)^{l_1} \frac{A_{1,0} + A_{1,1}}{\sqrt{2}} |\psi_l\rangle = \bigotimes_{i=2}^N A_{i,1} |\psi_l\rangle, \quad (28a)$$

$$(-1)^{l_1+l_i} \frac{A_{1,0} - A_{1,1}}{\sqrt{2}} |\psi_l\rangle = A_{i,0} |\psi_l\rangle \quad (28b)$$

for any $l = l_1 l_2 \dots l_N$ and $i = 2, 3, \dots, N$. Notice that any measurement can only be characterised on the support of the local states of $|\psi_l\rangle$. Thus, let us denote by $\Pi_l^{A_1}$ the projection onto the support of $\rho_{A_1}^l = \text{Tr}_{A \setminus A_1}(\rho_A^l)$ and apply it to the above equations to obtain:

$$(-1)^{l_1} \frac{\mathbb{A}_{1,0}^{(l)} + \mathbb{A}_{1,1}^{(l)}}{\sqrt{2}} |\psi_l\rangle = \bigotimes_{i=2}^N A_{i,1} |\psi_l\rangle, \quad (29a)$$

$$(-1)^{l_1+l_i} \frac{\mathbb{A}_{1,0}^{(l)} - \mathbb{A}_{1,1}^{(l)}}{\sqrt{2}} |\psi_l\rangle = A_{i,0} |\psi_l\rangle \quad (i = 2, 3, \dots, N), \quad (29b)$$

where we introduce the notation $\mathbb{A}_{1,j}^{(l)} = \Pi_l^{A_1} A_{1,j} \Pi_l^{A_1}$ for $j \in \{0, 1\}$. Observe that $\Pi_l^{A_1} |\psi_l\rangle = |\psi_l\rangle$.

Let us now recall that to achieve the maximal violation of the Bell inequalities (13) the observables must be unitary, that is, $A_{i,j}^2 = \mathbb{1}$. Now, consider the relations (29a) and (29b), and multiply them by $\bigotimes_{i=2}^N A_{i,1}$ and $A_{i,0}$, respectively. By using the same relations on themselves again, we obtain that:

$$\left(\mathbb{A}_{1,0}^{(l)} + \mathbb{A}_{1,1}^{(l)}\right)^2 |\psi_l\rangle = 2|\psi_l\rangle; \quad (30a)$$

$$\left(\mathbb{A}_{1,0}^{(l)} - \mathbb{A}_{1,1}^{(l)}\right)^2 |\psi_l\rangle = 2|\psi_l\rangle. \quad (30b)$$

We can assume that the local states ρ_{A_1} are full-rank and thus invertible. Therefore, if we take a partial trace over all the other subsystems except the first one, we obtain from (30a) and (30b) that

$$\left(\mathbb{A}_{1,0}^{(l)} + \mathbb{A}_{1,1}^{(l)}\right)^2 = 2\Pi_l^{A_1} \quad (31)$$

and

$$\left(\mathbb{A}_{1,0}^{(l)} - \mathbb{A}_{1,1}^{(l)}\right)^2 = 2\Pi_l^{A_1}, \quad (32)$$

which results in

$$\left\{\mathbb{A}_{1,0}^{(l)}, \mathbb{A}_{1,1}^{(l)}\right\} = 0. \quad (33)$$

Also, because $\left(\mathbb{A}_{1,i}^{(l)}\right)^2 \leq \Pi_l^{A_1}$, the above equations imply that $\left(\mathbb{A}_{1,i}^{(l)}\right)^2 = \Pi_l^{A_1}$ for $i \in \{0, 1\}$. This means that $\mathbb{A}_{1,i}^{(l)}$ are unitary on the support of $\rho_{A_1}^l$ and as a consequence, the observables $A_{1,i}$ can be represented as direct sums,

$$A_{1,i} = \mathbb{A}_{1,i}^{(l)} \oplus F_i^{(l)}, \quad (34)$$

where $F_i^{(l)}$ act on the complement of $\text{supp}(\rho_{A_1}^l)$ in \mathcal{H}_{A_1} . This means that the anticommutation relations (33) can also be stated as

$$\left\{\mathbb{A}_{1,0}^{(l)}, \mathbb{A}_{1,1}^{(l)}\right\} = \Pi_l^{A_1} \{A_{1,0}, A_{1,1}\} = 0, \quad (35)$$

which allows us to conclude that

$$\sum_l \Pi_l^{A_1} \{A_{1,0}, A_{1,1}\} = 0. \quad (36)$$

Let us now show that $\sum_l \Pi_l^{A_1} > 0$, that is, the sum of all projections $\Pi_l^{A_1}$ is invertible. To see this, suppose that $\sum_l \Pi_l^{A_1} \not\geq 0$. That implies that exists $|\phi\rangle$ such that $\sum_l \Pi_l |\phi\rangle = 0$. Thus, for every l , we must have $\Pi_l |\phi\rangle = 0$, which means that $|\phi\rangle$ belongs to the kernel of $\rho_{A_1}^l$, i.e., $\rho_{A_1}^l |\phi\rangle = 0$. By summing over l , we obtain $\rho_{A_1} |\phi\rangle = 0$, which contradicts the assumption that the local states of $|\psi_{A_i E_i}\rangle$ are full rank. Therefore, we must have

$$\sum_l \Pi_l^{A_1} > 0, \quad (37)$$

which implies that

$$\{A_{1,0}, A_{1,1}\} = 0. \quad (38)$$

As proven in e.g. Ref. [14], for a pair of unitary observables with eigenvalues ± 1 that anti-commute, there exist a local unitary $V_{A_1} : \mathcal{H}_{A_1} \rightarrow \mathcal{H}_{A_1}$ such that

$$V_{A_1} A_{1,0} V_{A_1}^\dagger = Z_{A_1'} \otimes \mathbb{1}_{A_1''}, \quad V_{A_1} A_{1,1} V_{A_1}^\dagger = X_{A_1'} \otimes \mathbb{1}_{A_1''}. \quad (39)$$

Now, we can always apply a unitary $V' : \mathcal{H}_{A_1'} \rightarrow \mathcal{H}_{A_1'}$ such that $V' Z V'^\dagger = (X + Z)/\sqrt{2}$ and $V' X V'^\dagger = (X - Z)/\sqrt{2}$. Thus, denoting $U_{A_1} = (V' \otimes \mathbb{1}_{A_1''}) V_{A_1}$, we obtain that there exists a unitary operation $U_{A_1} : \mathcal{H}_{A_1} \rightarrow (\mathbb{C}^2)_{A_1'} \otimes \mathcal{H}_{A_1''}$ for which,

$$U_{A_1} A_{1,0} U_{A_1}^\dagger = \frac{X + Z}{\sqrt{2}} \otimes \mathbb{1}_{A_1''}, \quad U_{A_1} A_{1,1} U_{A_1}^\dagger = \frac{X - Z}{\sqrt{2}} \otimes \mathbb{1}_{A_1''}. \quad (40)$$

Now, let us derive the form of the observables $A_{i,0}$ and $A_{i,1}$ of all the other parties. For this purpose, let us first consider the k -th party and then use the derived observables (40) to rewrite the relations (28a) and (28b) as

$$(-1)^{l_1} X_{A'_1} |\psi'_l\rangle = \mathbb{A}_{k,1}^{(l)} \otimes \bigotimes_{i=2 \setminus \{k\}}^N A_{i,1} |\psi'_l\rangle \quad (41)$$

and,

$$(-1)^{l_1+l_k} Z_{A'_1} |\psi'_l\rangle = \mathbb{A}_{k,0}^{(l)} |\psi'_l\rangle, \quad (42)$$

where $|\psi'_l\rangle = U_{A_1} |\psi_l\rangle$, and $\mathbb{A}_{k,i}^{(l)} = \Pi_l^{A_k} A_{k,i} \Pi_l^{A_k}$ for $i \in \{0, 1\}$, is the projected operator defined in analogous way as before. Now, multiplying (41) with $Z_{A'_1}$ and then using (42) on the right-hand side of the obtained expression, we get

$$(-1)^{l_k} (ZX)_{A'_1} |\psi'_l\rangle = \mathbb{A}_{k,1}^{(l)} \mathbb{A}_{k,0}^{(l)} \otimes \bigotimes_{i=2 \setminus \{k\}}^N A_{i,1} |\psi'_l\rangle. \quad (43)$$

Now, multiplying (42) with $X_{A'_1}$ and then using (41) on the right-hand side of the obtained expression, we get

$$(-1)^{l_k} (XZ)_{A'_1} |\psi'_l\rangle = \mathbb{A}_{k,0}^{(l)} \mathbb{A}_{k,1}^{(l)} \otimes \bigotimes_{i=2 \setminus \{k\}}^N A_{i,1} |\psi'_l\rangle. \quad (44)$$

Adding (43) and (44) and using the fact that the Pauli matrices satisfy $ZX + XZ = 0$, we finally obtain that

$$\left\{ \mathbb{A}_{k,0}^{(l)}, \mathbb{A}_{k,1}^{(l)} \right\} \otimes \bigotimes_{i=2 \setminus \{k\}}^N A_{i,1} |\psi'_l\rangle = 0. \quad (45)$$

Now, using the fact that the observables $A_{i,j}$ are unitary, we get that

$$\left\{ \mathbb{A}_{k,0}^{(l)}, \mathbb{A}_{k,1}^{(l)} \right\} = 0 \quad (k = 2, \dots, N). \quad (46)$$

By applying $X_{A'_1}$ and $Z_{A'_1}$ to Eqs. (41) and (42), respectively, we obtain that $(\mathbb{A}_{k,i}^{(l)})^2 = \Pi_l^{A_k}$. Analogously to the previous argument, we can conclude that

$$\{A_{k,0}, A_{k,1}\} = 0 \quad (k = 2, \dots, N). \quad (47)$$

Again, using the result presented in the appendix of [14], we observe that there exists unitaries $U_{A_i} : \mathcal{H}_{A_i} \rightarrow \mathcal{H}_{A_i}$ such that

$$U_{A_k} A_{k,0} U_{A_k}^\dagger = Z_{A'_1} \otimes \mathbb{1}_{A'_1}, \quad U_{A_k} A_{k,1} U_{A_k}^\dagger = X_{A'_1} \otimes \mathbb{1}_{A'_1} \quad (k = 2, \dots, N). \quad (48)$$

Now, let us characterise the states ρ_A^l for any l . For this purpose, we again consider the relations (21a) and (21b) and substitute into them the derived observables from (40) and (48). This gives us

$$(-1)^{l_1} \bigotimes_{i=1}^N X_{A'_i} |\tilde{\psi}_l\rangle = |\tilde{\psi}_l\rangle \quad (49)$$

and,

$$(-1)^{l_1+l_i} Z_{A'_i} \otimes Z_{A'_i} |\tilde{\psi}_l\rangle = |\tilde{\psi}_l\rangle \quad (i = 2, \dots, N), \quad (50)$$

where $|\tilde{\psi}_l\rangle = (U_{A_1} \otimes \dots \otimes U_{A_N}) |\psi_l\rangle$. As concluded above, the local Hilbert spaces \mathcal{H}_{A_i} are even-dimensional, and therefore any state $|\tilde{\psi}_l\rangle$ belonging to the Hilbert space $\bigotimes_{i=1}^N \mathcal{H}_{A_i} \otimes \mathcal{H}_G$ can be written as

$$|\tilde{\psi}_l\rangle = \sum_{i_1, i_2, \dots, i_N=0,1} |i_1 i_2 \dots i_N\rangle_{A'} |\phi_{i_1 i_2 \dots i_N}^l\rangle_{A''G}, \quad (51)$$

where $|\phi_{i_1 i_2 \dots i_N}^l\rangle_{A''G}$ are some unknown (in general unnormalized) states corresponding to the auxiliary degrees of freedom A_i'' and the system G which is responsible for purification.

Putting the state (51) into the conditions (50), we obtain

$$(-1)^{l_1+l_k} \sum_{i_1, i_2, \dots, i_N=0,1} (-1)^{i_1+i_k} |i_1 i_2 \dots i_N\rangle |\phi_{i_1 i_2 \dots i_N}^l\rangle = \sum_{i_1, i_2, \dots, i_N=0,1} |i_1 i_2 \dots i_N\rangle |\phi_{i_1 i_2 \dots i_N}^l\rangle, \quad (52)$$

where $|\phi_{i_1 i_2 \dots i_N}^l\rangle$ are in general unnormalised. Projecting the above formula on $\langle i_1 i_2 \dots i_N|$, we get

$$(-1)^{l_1+l_k} (-1)^{i_1+i_k} |\phi_{i_1 i_2 \dots i_N}^l\rangle = |\phi_{i_1 i_2 \dots i_N}^l\rangle \quad (k = 2, \dots, N). \quad (53)$$

From the above condition, we can conclude that $|\phi_{i_1 i_2 \dots i_N}^l\rangle = 0$ whenever $l_1 + l_k + i_1 + i_k \bmod 2 = 1$ for any $k = 2, 3, \dots, N$. Thus, the state (51) that satisfies the condition (53) is given by

$$|\tilde{\psi}_l\rangle = |l_1 \dots l_N\rangle |\phi_{l_1 \dots l_N}\rangle + |\bar{l}_1 \dots \bar{l}_N\rangle |\phi_{\bar{l}_1 \dots \bar{l}_N}\rangle, \quad (54)$$

where $l_i = 0, 1$ for any $i = 1, 2, \dots, N$ and \bar{l}_i denotes the negation of the bit l_i . Now, putting this state (54) to the condition (49), we obtain that

$$(-1)^{l_1} \left[|\bar{l}_1 \dots \bar{l}_N\rangle |\phi_{l_1 \dots l_N}\rangle + |l_1 \dots l_N\rangle |\phi_{\bar{l}_1 \dots \bar{l}_N}\rangle \right] = |l_1 \dots l_N\rangle |\phi_{l_1 \dots l_N}\rangle + |\bar{l}_1 \dots \bar{l}_N\rangle |\phi_{\bar{l}_1 \dots \bar{l}_N}\rangle. \quad (55)$$

This implies that

$$|\phi_{\bar{l}_1 \dots \bar{l}_N}\rangle = (-1)^{l_1} |\phi_{l_1 \dots l_N}\rangle, \quad (56)$$

which after substituting into Eq. (54) allows us to conclude that the state $|\tilde{\psi}_l\rangle$ is given by

$$|\tilde{\psi}_l\rangle = \frac{1}{\sqrt{2}} \left(|l_1 l_2 \dots l_N\rangle + (-1)^{l_1} |\bar{l}_1 \dots \bar{l}_N\rangle \right)_{A'} \otimes |\phi_l\rangle_{A''G}, \quad (57)$$

where we have also included the normalization factor. Tracing the G subsystem out, we finally obtain

$$\left(\bigotimes_{i=1}^N U_{A_i} \right) \rho_A^l \left(\bigotimes_{i=1}^N U_{A_i}^\dagger \right) = |\phi_l\rangle \langle \phi_l|_{A'} \otimes \tilde{\rho}_{A''}^l. \quad (58)$$

where $\tilde{\rho}_{A''}^l$ denotes the auxiliary state acting on $\bigotimes_{i=1}^N \mathcal{H}_{A_i''}$.

Putting it back into Eq. (26) and taking the unitaries to the right-hand side, we see that

$$|\phi_l\rangle \langle \phi_l|_{A'} \otimes \tilde{\rho}_{A''}^l = 2^N \text{Tr}_E \left[(\mathbb{1}_A \otimes R_l) \bigotimes_{i=1}^N |\tilde{\psi}_{A_i E_i}\rangle \langle \tilde{\psi}_{A_i E_i}| \right], \quad (59)$$

where $|\tilde{\psi}_{A_i E_i}\rangle = U_{A_i} |\psi_{A_i E_i}\rangle$ and we used the fact that $\bar{P}(l|0) = 1/2^N$.

B. States generated by the source $|\psi_{A_i E_i}\rangle$

Our aim now is to characterize the states produced by the sources $|\psi_{A_i E_i}\rangle$ and to this aim we follow the approach of Ref. [20]. First, with the aid of the Schmidt decomposition each state $|\psi_{A_i E_i}\rangle = U_{A_i} |\psi_{A_i E_i}\rangle$ can be expressed in the following way

$$|\tilde{\psi}_{A_i E_i}\rangle = \sum_{j=0}^{d_i-1} \alpha_j |e_j\rangle_{A_i} |f_j\rangle_{E_i} \quad (60)$$

such that d_i denotes the dimension of the Hilbert space \mathcal{H}_{A_i} and $\{|e_j\rangle_{A_i}\}$ and $\{|f_j\rangle_{E_i}\}$ denotes the local orthonormal bases of the subsystem A_i and E_i , respectively. Notice that, as already proven, the dimension d_i is even for any i as

the Hilbert space of any external party decomposes as $\mathcal{H}_{A_i} = \mathbb{C}^2 \otimes \mathcal{H}_{A_i'}$. Moreover, the Schmidt coefficients satisfy $\alpha_j > 0$ and $\sum_j \alpha_j^2 = 1$.

Let us now consider a unitary operation $U_{E_i} : \mathcal{H}_{E_i} \rightarrow \mathcal{H}_{E_i}$ such that $U_{E_i}|f_j\rangle = |e_j^*\rangle_{E_i}$. After applying it to the state (60), one arrives at

$$|\bar{\psi}_{A_i E_i}\rangle = U_{E_i}|\tilde{\psi}_{A_i E_i}\rangle = \sum_{j=0}^{d_i-1} \alpha_j |e_j\rangle_{A_i} |e_j^*\rangle_{E_i} \quad (61)$$

Let us now define a matrix P_{E_i} of rank d_i as,

$$P_{E_i} = \sum_{j=0}^{d_i-1} \alpha_j |e_j^*\rangle\langle e_j^*|, \quad (62)$$

using which we rewrite the state (61) as

$$|\bar{\psi}_{A_i E_i}\rangle = \sqrt{d_i} \mathbb{1}_{A_i} \otimes P_{E_i} |\phi_{A_i E_i}^{+, d_i}\rangle \quad \forall i. \quad (63)$$

Here $|\phi_{A_i E_i}^{+, d_i}\rangle$ denotes the maximally entangled state of local dimension d_i , that is,

$$|\phi_{A_i E_i}^{+, d_i}\rangle = \frac{1}{\sqrt{d_i}} \sum_{j=0}^{d_i-1} |e_j\rangle_{A_i} |e_j^*\rangle_{E_i} = \frac{1}{\sqrt{d_i}} \sum_{j=0}^{d_i-1} |j\rangle_{A_i} |j\rangle_{E_i}. \quad (64)$$

Putting it back into the condition (59), we get that

$$|\phi_l\rangle\langle\phi_l|_{A'} \otimes \tilde{\rho}_{A''}^l = 2^N \text{Tr}_E \left[\left(\mathbb{1}_A \otimes \bar{R}_{l,E} \right) \bigotimes_{i=1}^N |\phi_{A_i E_i}^{+, d_i}\rangle\langle\phi_{A_i E_i}^{+, d_i}| \right] \quad (65)$$

where

$$\bar{R}_{l,E} = D_N \left(\bigotimes_{i=1}^N P_{E_i} U_{E_i} \right) R_l \left(\bigotimes_{i=1}^N U_{E_i}^\dagger P_{E_i} \right), \quad (66)$$

such that $D_N = \prod_{i=1}^N d_i$. Now, notice that the state $\bigotimes_{i=1}^N |\phi_{A_i E_i}^{+, d_i}\rangle$ can also be expressed as a single maximally entangled state between the external parties A and E of the local dimension D_N ,

$$\bigotimes_{i=1}^N |\phi_{A_i E_i}^{+, d_i}\rangle = |\phi_{AE}^{+, D_N}\rangle, \quad (67)$$

where

$$|\phi_{AE}^{+, D_N}\rangle = \frac{1}{\sqrt{D_N}} \sum_{j=0}^{D_N-1} |j\rangle_A |j\rangle_E. \quad (68)$$

Plugging this state back to the condition (65) and then using the well-known property of the maximally entangled state that $\mathbb{1}_A \otimes Q_B |\phi_{AB}^{+, D}\rangle = Q_A^T \otimes \mathbb{1}_B |\phi_{AB}^{+, D}\rangle$ for any matrix Q , we have that

$$|\phi_l\rangle\langle\phi_l|_{A'} \otimes \tilde{\rho}_{A''}^l = 2^N \text{Tr}_E \left[\bar{R}_{l,A}^T \otimes \mathbb{1}_E |\phi_{AE}^{+, D_N}\rangle\langle\phi_{AE}^{+, D_N}| \right]. \quad (69)$$

After taking the trace over E , the above formula simplifies to

$$|\phi_l\rangle\langle\phi_l|_{A'} \otimes \tilde{\rho}_{A''}^l = \frac{2^N}{D_N} \bar{R}_{l,A}^T. \quad (70)$$

We can now apply the transposition to both sides of the above relations and then expand its right-hand side using (66), to obtain

$$|\phi_l\rangle\langle\phi_l|_{A'} \otimes \tilde{\rho}_{A''}^{l,T} = 2^N \left(\bigotimes_{i=1}^N P_{A_i} U_{A_i} \right) R_l \left(\bigotimes_{i=1}^N U_{A_i}^\dagger P_{A_i} \right), \quad (71)$$

which after taking the sum over l and using the fact that the measurement operators R_l sum up to the identity, leads further to

$$\sum_{l=0}^{2^N-1} |\phi_l\rangle\langle\phi_l|_{A'} \otimes \tilde{\rho}_{A''}^{l,T} = 2^N \bigotimes_{i=1}^N P_{A_i}^2. \quad (72)$$

Now, taking a partial trace over the subsystems A_2, A_3, \dots, A_N in the above expression, we obtain

$$\frac{\mathbb{1}_{A'_1}}{2} \otimes \sigma_{A''_1} = P_{A_1}^2, \quad (73)$$

which by virtue of the fact that $P_{A_i} \geq 0$ for any i , implies that

$$\mathbb{1}_{A'_1} \otimes \sqrt{\frac{\sigma_{A''_1}}{2}} = P_{A_1} \quad (74)$$

where,

$$\sigma_{A''_1} = \frac{1}{2^N} \sum_{l=0}^{2^N-1} \text{Tr}_{A''_2 \dots A''_N} \left(\tilde{\rho}_{A''}^{l,T} \right). \quad (75)$$

In a similar way we can determine from Eq. (72) the form of the other matrices P_{A_i} and thus

$$P_{A_i} = \mathbb{1}_{A'_i} \otimes \sqrt{\frac{\sigma_{A''_i}}{2}} \quad (i = 1, \dots, N), \quad (76)$$

where,

$$\sigma_{A''_j} = \frac{1}{2^N} \sum_{l=0}^{2^N-1} \text{Tr}_{A'' \setminus \{A''_j\}} \left(\tilde{\rho}_{A''}^{l,T} \right). \quad (77)$$

Plugging P_{A_j} in the state (63) and also recalling that $d_i = 2d'_i$, we obtain

$$|\bar{\psi}_{A_i E_i}\rangle = \sqrt{d'_i} \left(\mathbb{1}_{A_i E'_i} \otimes \sqrt{\sigma_{E''_i}} \right) |\phi_{A_i E_i}^{+, d'_i}\rangle \quad \forall i. \quad (78)$$

Using then again the fact that d_i is even, which implies that the maximally entangled state $|\phi_{A_i E_i}^{+, d'_i}\rangle$ can also be written as

$$|\phi_{A_i E_i}^{+, d'_i}\rangle = |\phi_{A'_i E'_i}^+\rangle |\phi_{A''_i E''_i}^{+, d'_i}\rangle, \quad (79)$$

we finally conclude that there are unitary operations U_{A_i} and U_{E_i} such that

$$(U_{A_i} \otimes U_{E_i}) |\psi_{A_i E_i}\rangle = |\bar{\psi}_{A_i E_i}\rangle = |\phi_{A'_i E'_i}^+\rangle |\xi_{A''_i E''_i}\rangle \quad \forall i. \quad (80)$$

where the auxiliary state $|\xi_{A''_i E''_i}\rangle$ is given by,

$$|\xi_{A''_i E''_i}\rangle = \left(\mathbb{1}_{A''_i} \otimes \sqrt{d'_i \sigma_{E''_i}} \right) |\phi_{A''_i E''_i}^{+, d'_i}\rangle. \quad (81)$$

C. Entangled measurement $\{R_l\}$

Let us now concentrate on the measurement $\{R_l\}$. To this end, we exploit the explicit form of P_{A_i} and fact that the matrices $\sigma_{A_i''}$ are invertible (which is a consequence of the assumption that the states produced by the sources are locally full rank) to rewrite Eq. (71) as

$$\left(\bigotimes_{i=1}^N U_{A_i}\right) R_l \left(\bigotimes_{i=1}^N U_{A_i}^\dagger\right) = |\phi_l\rangle\langle\phi_l|_{A'} \otimes \left(\bigotimes_{i=1}^N \sigma_{A_i''}^{-1/2}\right) \tilde{\rho}_{A''}^{l,T} \left(\bigotimes_{i=1}^N \sigma_{A_i''}^{-1/2}\right), \quad (82)$$

and further in a simpler way as

$$\left(\bigotimes_{i=1}^N U_{A_i}\right) R_l \left(\bigotimes_{i=1}^N U_{A_i}^\dagger\right) = |\phi_l\rangle\langle\phi_l|_{A'} \otimes (\tilde{R}_l)_{A''}, \quad (83)$$

where the matrices \tilde{R}_l acting on the A_i'' subsystems are defined as

$$\tilde{R}_{l,A''} = \left(\bigotimes_{i=1}^N \sigma_{A_i''}^{-1/2}\right) \tilde{\rho}_{A''}^{l,T} \left(\bigotimes_{i=1}^N \sigma_{A_i''}^{-1/2}\right). \quad (84)$$

Now, an important step is to observe that after implementing the fact that $\sum_l R_l = \mathbb{1}$, Eq. (83) allows us to conclude that

$$\mathbb{1}_A = \sum_{l=0}^{2^N-1} |\phi_l\rangle\langle\phi_l|_{A'} \otimes (\tilde{R}_l)_{A''}. \quad (85)$$

Then, since the vectors $|\phi_l\rangle$ are mutually orthogonal, the above directly implies that

$$\tilde{R}_l = \mathbb{1}_{A''} \quad (86)$$

using which we finally obtain from Eq. (83) that the measurement operators R_l are up to a local unitary transformation given by

$$\left(\bigotimes_{i=1}^N U_{A_i}\right) R_l \left(\bigotimes_{i=1}^N U_{A_i}^\dagger\right) = |\phi_l\rangle\langle\phi_l|_{A'} \otimes \mathbb{1}_{A''} \quad \forall l. \quad (87)$$

D. Measurements $A_{i,2}$

Let us finally provide a self-testing statement for the third measurement of the external parties $A_{i,2}$ for any i . For this purpose, we consider Eq. (21c) and substitute into it the certified observables and states from Eqs. (24) and (58) to obtain a set of equations

$$\left[-(-1)^l \bar{A}_{1,2} \bar{A}_{i,2} \otimes \bigotimes_{\substack{j=2 \\ j \neq i}}^N X_{A_j'} \right] |\phi_l\rangle\langle\phi_l|_{A'} \otimes \tilde{\rho}_{A''}^l = |\phi_l\rangle\langle\phi_l|_{A'} \otimes \tilde{\rho}_{A''}^l \quad i = 2, \dots, N. \quad (88)$$

where $\bar{A}_{i,2} = U_{A_i} A_{i,2} U_{A_i}^\dagger$. As the local Hilbert spaces are even-dimensional, we can express the observables $\bar{A}_{i,2}$ as

$$\bar{A}_{i,2} = \mathbb{1} \otimes P_i + Z \otimes Q_i + X \otimes R_i + Y \otimes S_i, \quad (89)$$

where P_i, Q_i, R_i, S_i are hermitian matrices that mutually commute and satisfy $P_i^2 + Q_i^2 + R_i^2 + S_i^2 = \mathbb{1}$ for any i .

Let us first look at the case when $N = 2$. Putting the form of the measurements (89) into the relation (88) and then sandwiching it with $|\phi_l\rangle$, we obtain

$$\left[P_1 \otimes P_2 + (-1)^{l_1+l_2} Q_1 \otimes Q_2 + (-1)^{l_1} R_1 \otimes R_2 - (-1)^{l_2} S_1 \otimes S_2 \right] \tilde{\rho}_{A_1'' A_2''}^l = -(-1)^{l_2} \tilde{\rho}_{A_1'' A_2''}^l \quad (90)$$

for any $l_1, l_2 = 0, 1$. Let us now observe that from Eq. (84) and the fact that $\tilde{R}_l = \mathbb{1}_{A''}$ it follows that the matrices $\tilde{\rho}_{A_1'' A_2''}^l$ are full rank and therefore the above implies the following four matrix equations

$$P_1 \otimes P_2 + (-1)^{l_1+l_2} Q_1 \otimes Q_2 + (-1)^{l_1} R_1 \otimes R_2 - (-1)^{l_2} S_1 \otimes S_2 = -(-1)^{l_2} \mathbb{1}, \quad (91)$$

we can directly be solved to obtain

$$S_1 \otimes S_2 = \mathbb{1}, \quad P_1 \otimes P_2 = Q_1 \otimes Q_2 = R_1 \otimes R_2 = 0. \quad (92)$$

Now, considering the general case $N \geq 3$ and again putting form of the measurements (91) into (88), and sandwiching the above expression with the state $|\phi_l\rangle$, we obtain for any $l_i = 0, 1$

$$\left[(-1)^{l_1} R_1 \otimes R_i - (-1)^{l_i} S_1 \otimes S_i \right] \tilde{\rho}_{A''}^l = -(-1)^{l_i} \tilde{\rho}_{A''}^l \quad (i = 2, \dots, N) \quad (93)$$

As $\tilde{\rho}_{A''}^l$ is full-rank, the above translates to

$$(-1)^{l_1} R_1 \otimes R_i - (-1)^{l_i} S_1 \otimes S_i = -(-1)^{l_i} \mathbb{1}. \quad (94)$$

For any i , we get two different equations corresponding to two values of $l_1 = 0$ and $l_1 = 1$, which directly imply

$$S_1 \otimes S_i = \mathbb{1}, \quad R_1 \otimes R_i = 0 \quad (i = 2, \dots, N). \quad (95)$$

Now, one notices that $S_1^2 \otimes S_i^2 = \mathbb{1}$ which together with the upper bound $S_i^2 \leq \mathbb{1}$ which follows from the condition $P_i^2 + Q_i^2 + R_i^2 + S_i^2 = \mathbb{1}$, allows us to conclude that $S_i^2 = \mathbb{1}$ for any i . This also means that $P_i^2 = R_i^2 = Q_i^2 = 0$ and consequently that

$$P_i = R_i = Q_i = 0. \quad (96)$$

This analysis leads us to the conclusion that $\tilde{A}_{i,2} = Y \otimes S_i$ with $S_i^2 = \mathbb{1}$. It turns out, however, that the conditions (95) are more restrictive. To see that explicitly, let us follow the reasoning applied already in Ref. [20] and observe that each S_i can be decomposed as $S_i = S_i^+ - S_i^-$, where S_i^\pm are projections onto the eigensubspaces of S_i corresponding to the eigenvalues ± 1 with $S_i^+ + S_i^- = \mathbb{1}$. After plugging this representation into $S_1 \otimes S_i = \mathbb{1}$ and rearranging terms one arrives at the following conditions

$$S_1^+ \otimes S_i^- = S_1^- \otimes S_i^+ = 0 \quad (i = 2, \dots, N). \quad (97)$$

These conditions imply that there are two possible solutions for Alice's third measurements: either

$$\tilde{A}_{i,2} = Y_{A_i'} \otimes \mathbb{1}_{A_i''} \quad (i = 1, \dots, N) \quad (98)$$

or

$$\tilde{A}_{i,2} = -Y_{A_i'} \otimes \mathbb{1}_{A_i''} \quad (i = 1, \dots, N). \quad (99)$$

This completes the proof. \square

Appendix B: Self-testing any extremal POVM

Let us then consider an ideal reference measurement $E'_1 = \{R'_{l|1}\}$ with $R'_{l|1}$ ($l = 1, \dots, K$) being measurement elements defined on some Hilbert space \mathbb{C}^D and assume this measurement to be extremal. For completeness let us recall that an extremal POVM is one that cannot be decomposed into a convex combination of other POVM's. As $R'_{l|1}$ are of arbitrary rank, let denote them by $r_l = \text{rank}(R'_{l|1})$. Let us also assume that the measurement has $K \leq 2^N$ outcomes; $r_1 + \dots + r_K = D$. Such a measurement can always be embedded in an N -qubit Hilbert space $(\mathbb{C}^2)^{\otimes N}$ where N the minimal natural number such that $D \leq 2^N$. In order to represent $R'_{l|1}$ in the N -qubit Hilbert space one can for instance assign to any element of the standard basis $|i\rangle \in \mathbb{C}^D$ an element $|i_1 \dots i_N\rangle$ of the product standard basis of $(\mathbb{C}^2)^{\otimes N}$ such that $i_1 \dots i_N$ is a binary representation of i ($i = 0, \dots, D-1$). Then, one needs to add

another projective measurement element M^\perp to E'_1 which is orthogonal to the support of E'_1 so that the resulting measurement defined on $(\mathbb{C}^2)^{\otimes N}$ satisfies

$$\sum_{i=1}^K R'_{i|1} + M^\perp = \mathbb{1}_{2^N}, \quad (100)$$

where $\mathbb{1}_{2^N}$ is the identity acting on $(\mathbb{C}^2)^{\otimes N}$ where $\text{rank}(M^\perp) = 2^N - D$. Let us denote the new $(K+1)$ -outcome measurement by $N = \{R'_{1|1}, \dots, R'_{K|1}, M^\perp\}$ and notice that it is extremal too because it is obtained by complementing the extremal measurement E'_1 by a projector orthogonal to its support [34].

Let us now represent any measurement element N_l in terms of the Pauli basis

$$\sigma_0 = Z, \quad \sigma_1 = X, \quad \sigma_2 = Y, \quad \sigma_3 = \mathbb{1}_2, \quad (101)$$

as

$$N_l = \sum_{i_1, \dots, i_N=0}^3 f_{i_1, \dots, i_N}^l \bigotimes_{k=1}^N \sigma_{k, i_k}. \quad (102)$$

Let us again consider the quantum network scenario presented and assume that the observed correlations additionally satisfy the following conditions

$$\left\langle \tilde{A}_{1, i_1} \otimes \bigotimes_{k=2}^N A_{k, i_k} \otimes (R_{l|1})_E \right\rangle_{\psi_{AE}} = f_{i_1, \dots, i_N}^l \quad \forall l, i_1, \dots, i_N, \quad (103)$$

where $\tilde{A}_{1,0}$ and $\tilde{A}_{1,1}$ are given in (14) with $\tilde{A}_{1,2} = A_{1,2}$, $\tilde{A}_{1,3} = \mathbb{1}$ and $A_{k,3} = \mathbb{1}$ for any k .

Notice that the above statistics can be realised if the sources generate the two-qubit maximally entangled state $|\phi^+\rangle = (1/\sqrt{2})(|00\rangle + |11\rangle)$ and the measurement $E_1 = \{R_{l|1}\}$ is exactly $R_{l|1} = (R'_{l|1})^*$ where $R'_{l|1}$ are the reference measurement operators and $*$ denotes the complex conjugate, whereas the external parties perform the measurements in Eq. (15).

Next, we show that the above conditions along with certification of the states and measurements presented in Theorem 1 are sufficient to show that up to the standard equivalences and complex conjugation the unknown measurement $E_1 = \{R_{l|1}\}$ is equivalent to the ideal one $E'_1 \equiv N$.

Theorem 2. *Let us suppose that the correlations generated in the quantum network satisfy the assumptions of Theorem 1 along with the additional constraints in Eq. (103). Then, for any $l = 1, \dots, K$ we can conclude that*

$$\begin{aligned} U_E R_{l|1} U_E^\dagger &= (R'_{l|1})^* \otimes \mathbb{1}_{E''}, \quad \text{if } A_{i,2} = Y \otimes \mathbb{1} \quad \forall i, \quad \text{or} \\ U_E R_{l|1} U_E^\dagger &= R'_{l|1} \otimes \mathbb{1}_{E''} \quad \text{if } A_{i,2} = -Y \otimes \mathbb{1} \quad \forall i \end{aligned} \quad (104)$$

where U_E is the same unitary as in Theorem 1 and $E'' = E''_1 \dots E''_N$.

Proof. For simplicity, we represent $R_{l|1} \equiv R_l$ throughout the proof. Let us consider the relation in Eq. (103) and then substitute into it the observables $A_{s,j}$ for $s = 1, \dots, N$ and $j = 0, 1, 2$ given in Eqs. (24) and (25). As $A_{s,2}$ for any s can have two realisations as given in Eq. (25), we first consider the case when $A_{s,2} = Y \otimes \mathbb{1}_{s''}$. This gives us

$$\left\langle \left(\bigotimes_{s=1}^N U_{A_s}^\dagger \right) \left(\bigotimes_{k=1}^N \sigma_{k, i_k} \otimes \mathbb{1}_{A''} \right) \left(\bigotimes_{s=1}^N U_{A_s} \right) \otimes R_l \right\rangle_{\psi_{AE}} = f_{i_1, \dots, i_N}^l. \quad (105)$$

It then follows from Theorem 1 that the global state $|\psi_{AE}\rangle$ can be represented as in Eq. (22), which allows us to rewrite the above condition in the following form

$$d'_1 \dots d'_N \left\langle \left(\bigotimes_{k=1}^N \sigma_{k, i_k} \otimes \bigotimes_{s=1}^N \sigma_{A_s}^T \right) \bar{R}_l^T \otimes \mathbb{1}_E \right\rangle_{\phi_{2^N D}^+} = f_{i_1, \dots, i_N}^l \quad (106)$$

where we have also used the fact that $(\mathbb{1} \otimes Q)|\phi_d^+\rangle = (Q^T \otimes \mathbb{1})|\phi_d^+\rangle$ and \bar{R}_l are given by

$$\bar{R}_l = \left(\bigotimes_{s=1}^N U_{\bar{A}_s} \right) R_l \left(\bigotimes_{s=1}^N U_{\bar{A}_s}^\dagger \right). \quad (107)$$

After tracing Eve's subsystems the expression in Eq. (106) can further be simplified to

$$\text{Tr} \left[\left(\bigotimes_{k=1}^N \sigma_{k,i_k} \otimes \bigotimes_{s=1}^N \sigma_{A_s''}^T \right) \bar{R}_l^T \right] = 2^N f_{i_1, \dots, i_N}^l. \quad (108)$$

Now, we can exploit the fact that \bar{R}_l^T acts on the Hilbert space $\mathbb{C}^{2^N} \otimes \bigotimes_{s=1}^N \mathcal{H}_{A_s''}$, we can again express it using the Pauli basis as

$$\bar{R}_l^T = \sum_{i_1, \dots, i_N=0}^3 \bigotimes_{k=1}^N \sigma_{k,i_k} \otimes \tilde{R}_{i_1, \dots, i_N}^l \quad (109)$$

where $\tilde{R}_{i_1, \dots, i_N}^l$ acts on $\bigotimes_{s=1}^N \mathcal{H}_{A_s''}$. Then, using the fact that Pauli matrices are orthogonal in the Hilbert-Schmidt scalar product, $\text{Tr}[\sigma_i \sigma_j] = 2\delta_{ij}$ with δ_{ij} being the Kronecker's symbol, we obtain

$$\text{Tr} \left[\left(\bigotimes_{s=1}^N \sigma_{A_s''}^T \right) \tilde{R}_{i_1, \dots, i_N}^l \right] = f_{i_1, \dots, i_N}^l \quad \forall i_1, \dots, i_N. \quad (110)$$

The rest of the proof follows the same lines as the proof of Theorem 6 of Ref. [35]. We first decompose the state $\bigotimes_{s=1}^N \sigma_{A_s''}^T$ in its eigenbasis, let's say $\{|b\rangle\}$ with eigenvalues p_b which allows us to obtain from Eq. (110) that

$$\sum_b p_b \langle b | \tilde{R}_{i_1, \dots, i_N}^l | b \rangle = f_{i_1, \dots, i_N}^l. \quad (111)$$

Next, we introduce a collection of POVMs $\{R_l^b\}_l$ for any b , the measurement operators of which are given by

$$\begin{aligned} R_l^b &= \text{Tr}_{A_1'' \dots A_N''} \left[\left(\mathbb{1}_{A'} \otimes |b\rangle\langle b|_{A_1'' \dots A_N''} \right) \bar{R}_l^T \right] \\ &= \sum_{i_1, \dots, i_N=0}^3 \langle b | \tilde{R}_{i_1, \dots, i_N}^l | b \rangle \bigotimes_{k=1}^N \sigma_{k,i_k}. \end{aligned} \quad (112)$$

Since $\bar{R}_l^T \geq 0$ it directly follows from the above equation that $R_l^b \geq 0$ for any l and b . Moreover, $\sum_l \bar{R}_l^T = \mathbb{1}$ implies that $\sum_l R_l^b = \mathbb{1}$ for any b . Thus, $\{R_l^b\}_l$ are proper quantum measurements for all b .

These additional POVMs, through Eq. (111), allow us to decompose the ideal POVM $\{N_l\}$ as $N_l = \sum_b p_b R_l^b$. As the ideal POVM is extremal, it can not be decomposed in terms of other POVM's. Consequently, we have that

$$\forall b \quad R_l^b = N_l, \quad (113)$$

which is equivalent to

$$\langle b | \tilde{R}_{i_1, \dots, i_N}^l | b \rangle = f_{i_1, \dots, i_N}^l \quad \forall b. \quad (114)$$

Let us now consider the following vectors:

$$|\varphi_{a,s,t}\rangle = \frac{1}{\sqrt{2}} (|s\rangle \pm i^a |t\rangle), \quad (115)$$

such that $|s\rangle$ and $|t\rangle$ are vectors that belong to the eigenbasis $\{|k\rangle\}$ of $\bigotimes_{s=1}^N \sigma_{A_s''}^T$ such that $s \neq t$ and $a = 0, 1$. Let us look at the quantity

$$\text{Tr}_{A_1'' \dots A_N''} \left[\left(\mathbb{1}_{A'} \otimes |\varphi_{a,s,t}\rangle\langle\varphi_{a,s,t}|_{A_1'' \dots A_N''} \right) \bar{R}_l^T \right] = \sum_{i_1, \dots, i_N=0}^3 \bigotimes_{k=1}^N \sigma_{k,i_k} \text{Tr}(|\varphi_{a,s,t}\rangle\langle\varphi_{a,s,t}|_{A_1'' \dots A_N''} \tilde{R}_{i_1, \dots, i_N}^l), \quad (116)$$

which with the aid of the explicit form of the vector (115) can be rewritten as

$$\mathrm{Tr}_{A_1'' \dots A_N''} \left[\left(\mathbb{1}_{A'} \otimes |\varphi_{a,s,t}\rangle\langle\varphi_{a,s,t}|_{A_1'' \dots A_N''} \right) \bar{R}_l^T \right] = N_l \pm \mathrm{Tr}_{A_1'' \dots A_N''} \left[\left(\mathbb{1}_{A'} \otimes L_{A_1'' \dots A_N''}^a \right) \bar{R}_l^T \right], \quad (117)$$

where $L_{A_1'' \dots A_N''}^a = (i^a/2) (|t\rangle\langle s| + (-1)^a |s\rangle\langle t|)$. Using the fact that \bar{R}_l^T is positive semi-definite, which implies that the left-hand side of the above relation is positive semi-definite too, we conclude that

$$N_l \geq \pm \mathrm{Tr}_{A_1'' \dots A_N''} \left[\left(\mathbb{1}_{B'} \otimes L_{A_1'' \dots A_N''}^a \right) \bar{R}_l^T \right] =: \pm \Omega_l^a. \quad (118)$$

As we show at the end of the proof, the above operator inequality can be satisfied only if $\mathrm{supp}(\Omega_l^a) \subseteq \mathrm{supp}(N_l)$ for any l and for both values of $a = 0, 1$. Let us then denote by $|\phi_{l,m}\rangle$ ($m = 1, \dots, r_l$) as the eigenvectors of N_l , where r_l denotes the rank of N_l . Due to the fact that $\mathrm{supp}(\Omega_l^a) \subseteq \mathrm{supp}(N_l)$, each operator Ω_l^a can be written using the eigenvectors of N_l as

$$\Omega_l^a = \sum_{m,n=1}^{r_l} \gamma_{m,n}^{(l,a)} |\phi_{l,m}\rangle\langle\phi_{l,n}|, \quad (119)$$

where $\gamma_{m,n}^{(l)}$ are some complex coefficients; recall that Ω_l^a are Hermitian.

Let us now notice that it follows from Eq. (118) that

$$\begin{aligned} \sum_l \Omega_l^a &= \sum_l \mathrm{Tr}_{A_1'' \dots A_N''} \left[\left(\mathbb{1}_{A'} \otimes L_{A_1'' \dots A_N''}^a \right) \bar{R}_l^T \right] \\ &= \mathrm{Tr}_{A_1'' \dots A_N''} \left[\left(\mathbb{1}_{A'} \otimes L_{A_1'' \dots A_N''}^a \right) \right] = 0, \end{aligned} \quad (120)$$

where the second equality follows from the fact that \bar{R}_l^T sum up to the identity, whereas the third equality is a consequence of the fact that the L^a operators are traceless. We thus have that for any a ,

$$\sum_l \Omega_l^a = 0. \quad (121)$$

After plugging Eq. (119), we obtain the following equation

$$\sum_{l,m,n} \gamma_{m,n}^{(l,a)} |\phi_{l,m}\rangle\langle\phi_{l,n}| = 0 \quad (122)$$

Let us now exploit the fact that the measurement $\{N_l\}$ is extremal. As proven in Ref. [34] it follows from the latter that the operators $|\phi_{l,m}\rangle\langle\phi_{l,n}|$ are linearly independent for all l, m and n . It thus follows from Eq. (122) that γ 's vanish and therefore

$$\Omega_l^a = \mathrm{Tr}_{A_1'' \dots A_N''} \left[\left(\mathbb{1}_{A'} \otimes L_{A_1'' \dots A_N''}^a \right) \bar{R}_l^T \right] = 0 \quad (123)$$

for any a and any l . Using now the explicit form of the operators $L_{A_1'' \dots A_N''}^a$, the above implies the following conditions for the \bar{R}_l^T operators,

$$\bigotimes_{k=1}^N \sigma_{k,i_k} \left(\langle s | \tilde{R}_{i_1, \dots, i_N}^l | t \rangle + \langle t | \tilde{R}_{i_1, \dots, i_N}^l | s \rangle \right) = 0, \quad (124)$$

for $a = 0$, and

$$\bigotimes_{k=1}^N \sigma_{k,i_k} \left(\langle t | \tilde{R}_{i_1, \dots, i_N}^l | s \rangle - \langle s | \tilde{R}_{i_1, \dots, i_N}^l | t \rangle \right) = 0 \quad (125)$$

for $a = 1$, where we used the fact that $\bigotimes_{k=1}^N \sigma_{k,i_k}$ are linearly independent for all i_1, \dots, i_N . The only possible solution to these equations is that

$$\langle s | \tilde{R}_{i_1, \dots, i_N}^l | t \rangle = 0 \quad (s \neq t). \quad (126)$$

Combining this with Eq. (114) we obtain that

$$\bar{R}_{i_1, \dots, i_N}^l = f_{i_1, \dots, i_N}^l \mathbb{1}, \quad (127)$$

which implies the desired relation $\bar{R}_l^T = N_l \otimes \mathbb{1}_{A_1' \dots A_N'}$ for all l .

Let us finally prove that $\text{supp}(\Omega_l^a) \subseteq \text{supp}(N_l)$ for any l and a . For this purpose, let us pick a particular N_l and consider its eigenvectors $|\psi_i\rangle$ ($i = 1, \dots, r_l$), where r_l is the rank of N_l . We then construct an orthonormal basis $\{|\phi_i\rangle\}_i$ with $i = 1, \dots, 2^N$ in the N -qubit Hilbert space such that $|\phi_i\rangle = |\psi_i\rangle$ for $i = 1, \dots, r_l$.

Sandwiching then inequalities (118) with $|\phi_i\rangle$ and $|\phi_j\rangle$, one obtains

$$\forall_{i,j} \quad \langle \phi_i | N_l | \phi_j \rangle \geq \pm \langle \phi_i | \Omega_l^a | \phi_j \rangle. \quad (128)$$

Now, for any pair i, j such that $i \geq r_l + 1$ or $j \geq r_l + 1$ (i.e., either $|\phi_i\rangle$ or $|\phi_j\rangle$ belongs to the kernel of N_l), the above condition gives us

$$0 \geq \pm \langle \phi_i | \Omega_l^a | \phi_j \rangle, \quad (129)$$

which directly implies that $\langle \phi_i | \Omega_l^a | \phi_j \rangle = 0$ for any pair i, j such that either $i \geq r_l + 1$ or $j \geq r_l + 1$. This directly implies that Ω_l^a act nontrivially only on $\text{supp}(N_l)$, and thus $\text{supp}(\Omega_l^a) \subseteq \text{supp}(N_l)$.

Alternative proof for projective measurements

Here we present an alternative proof in the case when we want to certify Eve's second measurement $E_1 = \{R_{l|1}\}$ to be a particular reference projective measurement $E_1' = \{R'_{l|1}\}$ (up to some additional degrees of freedom). For this purpose, we use the states generated by the sources, certified as in Eq. (23), and the certified measurements in Eqs. (24) and (25) along with some additional conditions imposed on the observed correlations.

Let us consider an ideal reference projective measurement $E_1' = \{R'_{l|1}\}$ where $R'_{l|1}$ are mutually orthogonal projections defined on a Hilbert space of arbitrary finite dimension \mathbb{C}^D whose ranks are in general arbitrary; let denote them by $r_l = \text{rank}(R'_{l|1})$. Let us also assume that the measurement has $K \leq 2^N$ outcomes; $r_1 + \dots + r_K = D$. Such a measurement can always be embedded in an N -qubit Hilbert space $(\mathbb{C}^2)^{\otimes N}$ where N the minimal natural number such that $D \leq 2^N$. In order to represent $R'_{l|1}$ in the N -qubit Hilbert space one can for instance assign to any element of the standard basis $|i\rangle \in \mathbb{C}^D$ an element $|i_1 \dots i_N\rangle$ of the product standard basis of $(\mathbb{C}^2)^{\otimes N}$ such that $i_1 \dots i_N$ is a binary representation of i ($i = 0, \dots, D - 1$). Then, one needs to add another projective measurement element M^\perp to E_1' so that the resulting measurement defined on $(\mathbb{C}^2)^{\otimes N}$ satisfies

$$\sum_{i=1}^K R'_{l|1} + M^\perp = \mathbb{1}_{2^N}, \quad (130)$$

$\mathbb{1}_{2^N}$ is the identity acting on $(\mathbb{C}^2)^{\otimes N}$. Given that the above procedure applies to any projective measurement, we can assume that the reference projective measurement E_1' is from the beginning defined on the N -qubit Hilbert space.

Let us then decompose every measurement element in the Pauli basis (101), as

$$R'_{l|1} = \sum_{i_1, \dots, i_N=0}^3 f_{i_1, \dots, i_N}^l \sigma_{1, i_1} \otimes \dots \otimes \sigma_{N, i_N}, \quad (131)$$

where the additional subscript marks the system on which the Pauli matrix σ_{k, i_k} acts; for instance, $\sigma_{3,2}$ is σ_2 acting on site 3. Then, f_{i_1, \dots, i_N}^l are real numbers defined as

$$f_{i_1, \dots, i_N}^l = \frac{1}{2^N} \text{Tr}[(\sigma_{1, i_1} \otimes \dots \otimes \sigma_{N, i_N}) R'_{l|1}]. \quad (132)$$

Let us now move on to our self-testing scheme and consider again the quantum network scenario presented in above. Let us then assume that apart from the conditions imposed in Theorem 1, the correlations observed in the network satisfy the following additional set of constraints

$$\sum_{i_1, \dots, i_N=0}^3 f_{i_1, \dots, i_N}^l \left\langle \tilde{A}_{1, i_1} \otimes \bigotimes_{k=2}^N A_{k, i_k} \otimes (R_{l|1})_E \right\rangle_{|\psi_{AE}\rangle} = \frac{r_l}{2^N} \quad \forall l, \quad (133)$$

where $\tilde{A}_{1,0}, \tilde{A}_{1,1}$ are given in (14) with $\tilde{A}_{1,2} = A_{1,2}, \tilde{A}_{1,3} = \mathbb{1}$ and $A_{k,3} = \mathbb{1}$ for any k .

We can now present our proof.

Theorem 3. *Let us suppose that the correlations generated in the quantum network satisfy the assumptions of Theorem 1 and the additional conditions in Eq. (133). Then, for any $l = 1, \dots, K$ we conclude that*

$$\begin{aligned} U_E R_{l|1} U_E^\dagger &= (R'_{l|1})^* \otimes \mathbb{1}_{E''}, \quad \text{if } A_{i,2} = Y \otimes \mathbb{1} \quad \forall i, \quad \text{or} \\ U_E R_{l|1} U_E^\dagger &= R'_{l|1} \otimes \mathbb{1}_{E''} \quad \text{if } A_{i,2} = -Y \otimes \mathbb{1} \quad \forall i \end{aligned} \quad (134)$$

where U_E is the same unitary as in Theorem 1 and $E'' = E''_1 \dots E''_N$.

Proof. For simplicity, we represent $R_{l|1} \equiv R_l$ throughout the proof. Let us first consider the relation in Eq. (133) for a particular l and then expand it by using the fact that the observables $A_{s,j}$ for $s = 1, \dots, N$ and $j = 0, 1, 2$ are certified as in Eqs. (24) and (25). As $A_{s,2}$ for any s can have two realisations as given in Eq. (25), we first consider the case when $A_{s,2} = Y \otimes \mathbb{1}_{s''}$. This gives us

$$\sum_{i_1, \dots, i_N=0}^3 f_{i_1, \dots, i_N}^l \left\langle \left(\bigotimes_{s=1}^N U_{A_s}^\dagger \right) \left(\bigotimes_{k=1}^N \sigma_{k, i_k} \otimes \mathbb{1}_{A''} \right) \left(\bigotimes_{s=1}^N U_{A_s} \right) \otimes R_l \right\rangle_{\psi_{AE}} = \frac{r_l}{2^N}. \quad (135)$$

Then, it follows from Theorem 1 [cf. Eq. (22)] that the global state can be represented in the following way

$$|\psi_{AE}\rangle = \bigotimes_{s=1}^N |\psi_{A_s E_s}\rangle = \bigotimes_{s=1}^N (U_{A_s}^\dagger \otimes U_{E_s}^\dagger) (|\phi_{A_s E_s}^+\rangle \otimes |\xi_{A_s E_s}''\rangle). \quad (136)$$

Notice also that by virtue of Eq. (81) the junk states $|\xi_{A_s E_s}''\rangle$ can be represented as

$$|\xi_{A_i E_i}''\rangle = \left(\mathbb{1}_{A_i}'' \otimes \sqrt{d_i' \sigma_{E_i}''} \right) |\phi_{A_i E_i}^+\rangle, \quad (137)$$

where we omitted the local dimension d_i' of the maximally entangled state. Thus, the joint state can further be represented in terms of a single maximally entangled states between A and E systems [cf. Eq. (67)] as

$$\left(\bigotimes_{s=1}^N U_{A_s} \otimes U_{E_s} \right) |\psi_{AE}\rangle = \left(\bigotimes_{s=1}^N \sqrt{d_s' \sigma_{E_s}''} \right) |\phi_{D_N}^+\rangle_{A|E}. \quad (138)$$

Here the local dimension of the state is $D_N = d_1 \dots d_N = 2^N d_1' \dots d_N'$ and we used $A|E$ to highlight the fact that $|\phi_{D_N}^+\rangle_{A|E}$ is a maximally entangled state between all external parties A_i and the central one E .

Plugging the state (138) into Eq. (135), and then using the fact that $(\mathbb{1} \otimes Q)|\phi_d^+\rangle = (Q^T \otimes \mathbb{1})|\phi_d^+\rangle$ for any matrix Q , we obtain

$$\sum_{i_1, \dots, i_N=0}^3 f_{i_1, \dots, i_N}^l \left\langle \left(\bigotimes_{k=1}^N \sigma_{k, i_k} \otimes \bigotimes_{s=1}^N d_s' \sigma_{A_s}^{T''} \right) \bar{R}_l^T \otimes \mathbb{1}_E \right\rangle_{\phi_{D_N}^+} = \frac{r_l}{2^N}, \quad (139)$$

where

$$\bar{R}_l = \left(\bigotimes_{s=1}^N U_{E_s} \right) R_l \left(\bigotimes_{s=1}^N U_{E_s}^\dagger \right). \quad (140)$$

Then, tracing out the Eve's subsystems from the expectation value in Eq. (139), we arrive at

$$\sum_{i_1, \dots, i_N=0}^3 f_{i_1, \dots, i_N}^l \text{Tr} \left[\left(\bigotimes_{k=1}^N \sigma_{k, i_k} \otimes \bigotimes_{s=1}^N \sigma_{A_s}^{T''} \right) \bar{R}_l^T \right] = r_l. \quad (141)$$

Using Eq. (131), we can simplify the above formula as

$$\text{Tr} \left[\left(R'_{l|1} \otimes \bigotimes_{s=1}^N \sigma_{A_s}^{T''} \right) \bar{R}_l^T \right] = r_l. \quad (142)$$

Let us now concentrate on a particular outcome l and consider an orthonormal basis in \mathbb{C}^{2^N} which contains the eigenvectors of the projection $R'_{l|1}$; we denote this basis by $\mathcal{B} = \{|\delta_m\rangle\}$, where the first r_l vectors for $m = 1, \dots, r_l$ are the eigenvectors of $R'_{l|1}$. Due to the fact that \bar{R}_0^T acts on the Hilbert space $(\mathbb{C}^2)^{\otimes N} \otimes \bigotimes_{s=1}^N \mathcal{H}_{A_s''}$, we can express it using the basis \mathcal{B} as

$$\bar{R}_0^T = \sum_{m,m'} |\delta_m\rangle\langle\delta_{m'}| \otimes \tilde{R}_{m,m'}, \quad (143)$$

where $\tilde{R}_{l,l'}$ are some unknown matrices acting on $\bigotimes_{s=1}^N \mathcal{H}_{A_s''}$.

After plugging Eq. (143) into (142) and using the cyclic property of trace, we then obtain

$$\sum_{m=1}^{r_l} \text{Tr} \left[\left(\bigotimes_{s=1}^N \sigma_{A_s''}^T \right) \tilde{R}_{m,m} \right] = r_l. \quad (144)$$

Since each term under the above sum is upper-bounded by one, we have that

$$\text{Tr} \left[\left(\bigotimes_{s=1}^N \sigma_{A_s''}^T \right) \tilde{R}_{m,m} \right] = 1 \quad (m = 1, \dots, r_l). \quad (145)$$

Now, due to the fact that the density matrices $\sigma_{A_s''}$ are full rank and $0 \leq \tilde{R}_{m,m} \leq \mathbb{1}$ which stems from the fact that $\{R_l\}$ is a quantum measurement, one observes that the above equation holds true if, and only if, $\tilde{R}_{m,m} = \mathbb{1}$ for any $m = 1, \dots, r_l$. This implies that

$$\bar{R}_l^T = R'_{l|1} \otimes \mathbb{1}_{A''} + \mathbb{L}_l, \quad (146)$$

where \mathbb{L}_l is an operator composed of the remaining terms of \bar{R}_l appearing in the decomposition (143); in other words, $\mathbb{L}_l = \bar{R}_l^T - R'_{l|1} \otimes \mathbb{1}$.

$$\begin{aligned} \mathbb{L}_l &= \sum_{\substack{m,m'=1 \\ m \neq m'}}^{r_l} |\delta_m\rangle\langle\delta_{m'}| \otimes \tilde{R}_{m,m'} + \sum_{m=1}^{r_l} \sum_{m'=r_l+1}^{2^N} |\delta_m\rangle\langle\delta_{m'}| \otimes \tilde{R}_{m,m'} \\ &+ \sum_{m=r_l+1}^{2^N} \sum_{m'=1}^{r_l} |\delta_m\rangle\langle\delta_{m'}| \otimes \tilde{R}_{m,m'} + \sum_{m=r_l+1}^{2^N} \sum_{m'=r_l+1}^{2^N} |\delta_m\rangle\langle\delta_{m'}| \otimes \tilde{R}_{m,m'}. \end{aligned} \quad (147)$$

Let us now show that the fact that $\bar{R}_l^T \leq \mathbb{1}$ imposes that the first three sums in the above representation must vanish. To this aim, let us consider a product vector $|\delta_m\rangle|\xi\rangle$ for any $m = 1, \dots, r_l$ and any vector $|\xi\rangle$, and act on it with $\bar{R}_l^T = R'_{l|1} \otimes \mathbb{1}_{A''} + \mathbb{L}_l$. This gives

$$\bar{R}_l^T |\delta_m\rangle|\xi\rangle = |\delta_m\rangle|\xi\rangle + \sum_{\substack{m'=1 \\ m' \neq m}}^{2^N} |\delta_{m'}\rangle \otimes \tilde{R}_{m',m} |\xi\rangle, \quad (148)$$

which further leads to the following condition

$$\langle\delta_m|\langle\xi|(\bar{R}_l^T)^2|\delta_m\rangle|\xi\rangle = 1 + \sum_{\substack{m'=1 \\ m' \neq m}}^{2^N} \langle\xi|\tilde{R}_{m',m}^\dagger \tilde{R}_{m',m}|\xi\rangle. \quad (149)$$

Let us observe now that $\bar{R}_l^T \leq \mathbb{1}$ implies $(\bar{R}_l^T)^2 \leq \mathbb{1}$, which after applying to the above equation allows one to conclude that

$$\sum_{\substack{m'=1 \\ m' \neq m}}^{2^N} \langle\xi|\tilde{R}_{m',m}^\dagger \tilde{R}_{m',m}|\xi\rangle \leq 0. \quad (150)$$

Therefore, $\langle \tilde{\zeta} | \tilde{R}_{m',m}^\dagger \tilde{R}_{m',m} | \tilde{\zeta} \rangle = 0$ for any vector $|\tilde{\zeta}\rangle$, which in turn means that $\tilde{R}_{m',m} = 0$ for any $m' \neq m$. Since the same argument can be repeated for any $|\delta_m\rangle$ with $m = 1, \dots, r_l$ one then has that all the matrices $\tilde{R}_{m',m} = 0$ for any $m = 1, \dots, r_l$ and any $m' \neq m$. This finally implies that the \mathbb{L}_l operator can be rewritten as

$$\mathbb{L}_l = \sum_{m=r_l+1}^{2^N} \sum_{m'=r_l+1}^{2^N} |\delta_m\rangle\langle\delta_{m'}| \otimes \tilde{R}_{m,m'}, \quad (151)$$

and thus it acts on a subspace of the corresponding Hilbert space which is orthogonal to that supporting $R'_{l1} \otimes \mathbb{1}_{A''}$. Due to the fact that the measurement operator satisfies $\bar{R}_l \geq 0$ the latter clearly implies that $\mathbb{L}_l \geq 0$.

It is important to stress that the same reasoning can be applied to \bar{R}_l^T for any l , and thus every \bar{R}_l^T decomposes into a direct sum

$$\bar{R}_l^T = R'_{l1} \otimes \mathbb{1}_{A''} + \mathbb{L}_l, \quad (152)$$

of two positive semi-definite operators $R'_{l1} \otimes \mathbb{1}_{A''}$ and \mathbb{L}_l . Now, after summing (152) over all outcomes, one obtains

$$\sum_l \mathbb{L}_l = 0, \quad (153)$$

where we also exploited the fact that both \bar{R}_l and R'_{l1} sum up to the identities. Taking into account that $\mathbb{L}_l \geq 0$, one deduces from the condition (153) that $\mathbb{L}_l = 0$ for any l and thus

$$\bar{R}_l^T = R'_{l1} \otimes \mathbb{1}_{A''} \quad (154)$$

or, equivalently,

$$\bar{R}_l = (R'_{l1})^* \otimes \mathbb{1}_{A''}. \quad (155)$$

Similarly, one can consider the other case of $A_{s,2} = -Y \otimes \mathbb{1}_{s''}$ for any s and obtain an analogous relation to Eq. (142) which reads

$$\text{Tr} \left[\left((R'_{l1})^* \otimes \bigotimes_{s=1}^N \sigma_{A_s}^T \right) \bar{R}_l^T \right] = r_l, \quad (l = 1, \dots, K). \quad (156)$$

Following exactly the same steps as above, we find that $\bar{R}_l = R'_{l1} \otimes \mathbb{1}$ for $l = 1, \dots, K$, thus completing the proof. \square

\square

Appendix C: Self-testing any quantum state

Using the Theorems 2 proven above, we can now show how it is possible to probabilistically self-test arbitrary pure or mixed N -qubit quantum state. For this purpose, let us first certify the post-measurement state when eve chooses $e = 1$ and obtains an outcome l .

Corollary 1. *Assume that the states are certified as in Eq. (23) and Eve's measurement E_1 is certified as in Eq. (104). Consequently, when Eve observes the l -th outcome of her measurement, the post-measurement state with the external parties is given by*

$$\begin{aligned} U_A \rho_A^l U_A^\dagger &= \frac{1}{\text{Tr} R'_{l1}} R'_{l1} \otimes \tilde{\rho}_{A''}, \quad \text{if } A_{i,2} = Y \otimes \mathbb{1} \quad \forall i, \quad \text{or} \\ U_A \rho_A^l U_A^\dagger &= \frac{1}{\text{Tr} R'_{l1}} (R'_{l1})^* \otimes \tilde{\rho}_{A''} \quad \text{if } A_{i,2} = -Y \otimes \mathbb{1} \quad \forall i, \end{aligned} \quad (157)$$

where $U_A = \bigotimes_{s=1}^N U_{A_s}$ and the unitaries U_{A_s} are the same as in Eq. (23).

Proof. The post-measurement state when Eve observes the l -th outcome of her measurement E_1 is given by

$$\rho_A^l = \frac{1}{\bar{P}(l|e=1)} \text{Tr}_E \left[\left(\mathbb{1}_A \otimes R_{l|1} \right) \bigotimes_{s=1}^N |\psi_{A_s E_s}\rangle\langle\psi_{A_s E_s}| \right]. \quad (158)$$

Then, substituting the states $|\psi_{A_s E_s}\rangle$ from Eq. (22) and the measurement elements $R_{l|1}$ from Eq. (23), we get that

$$U_A \rho_A^l U_A^\dagger = \frac{1}{\bar{P}(l|e=1)} \text{Tr}_E \left[\left(\mathbb{1}_A \otimes (R'_{l|1})^* \otimes \mathbb{1}_{E''} \right) \bigotimes_{s=1}^N |\phi^+\rangle\langle\phi^+|_{A'_s E'_s} \otimes |\zeta_s\rangle\langle\zeta_s|_{A''_s E''_s} \right]. \quad (159)$$

Again using the identity $(\mathbb{1} \otimes Q)|\phi^+\rangle = (Q^T \otimes \mathbb{1})|\phi^+\rangle$, we obtain

$$U_A \rho_A^l U_A^\dagger = \frac{1}{\bar{P}(l|e=1)} \text{Tr}_E \left[\left(R'_{l|1} \otimes \mathbb{1}_{A''} \otimes \mathbb{1}_E \right) \bigotimes_{s=1}^N |\phi^+\rangle\langle\phi^+|_{A'_s E'_s} \otimes |\zeta_s\rangle\langle\zeta_s|_{A''_s E''_s} \right], \quad (160)$$

where we also used the fact that $((R'_{l|1})^*)^T = R'_{l|1}$. After tracing the E subsystem we arrive at

$$U_A \rho_A^l U_A^\dagger = \frac{1}{2^N \bar{P}(l|e=1)} R'_{l|1} \otimes \tilde{\rho}_{A''}, \quad (161)$$

where $\tilde{\rho}_{A''} = \text{Tr}_{E''} \left[\bigotimes_{s=1}^N |\zeta_s\rangle\langle\zeta_s|_{A''_s E''_s} \right]$. It is straightforward to observe now that $\bar{P}(l|e=1) = \text{Tr} \left(R'_{l|1} \right) / 2^N$ giving us the desired result. \square

Now, to certify an arbitrary pure state $|\psi\rangle \in (\mathbb{C}^2)^{\otimes N}$ among the external parties it is enough that the second Eve's reference measurement E'_1 is projective and one of its elements, say $R'_{0|1}$, is a projection onto $|\psi\rangle$, $R'_{0|1} = |\psi\rangle\langle\psi|$.

For mixed states the situation is a bit more complicated. Consider a mixed state acting on \mathbb{C}^d :

$$\rho = \sum_k p_k |\psi_k\rangle\langle\psi_k|. \quad (162)$$

It follows that one can construct an extremal $3d$ -outcome POVM in the Hilbert space \mathbb{C}^{2d} that can be performed by Eve on her share of the joint state $|\psi_{AE}\rangle$ to create ρ at the external parties' labs with the aid of post-processing. To construct this POVM, we first define two sets of d mutually orthogonal vectors $\mathcal{B}_1 = \{|\psi_k\rangle\}$ and $\mathcal{B}_2 = \{|\phi_k\rangle\}$ such that $\langle\psi_k|\phi_{k'}\rangle = 0$ for any k, k' . Then, one considers the pair of the states $\{\psi_k, \phi_k\}$ to construct the trine POVM that acts on \mathbb{C}^2 [cf. Ref. [33]] as

$$M_{k,1} = p_k |\psi_k\rangle\langle\psi_k|, \quad M_{k,2} = \frac{2-p_k}{2} |\tau_{k,2}\rangle\langle\tau_{k,2}|, \quad M_{k,3} = \frac{2-p_k}{2} |\tau_{k,3}\rangle\langle\tau_{k,3}|, \quad (163)$$

where for all k ,

$$|\tau_{k,2}\rangle = \sqrt{\frac{1-p_k}{2-p_k}} |\psi_k\rangle + \sqrt{\frac{1}{2-p_k}} |\phi_k\rangle, \quad |\tau_{k,3}\rangle = -\sqrt{\frac{1-p_k}{2-p_k}} |\psi_k\rangle + \sqrt{\frac{1}{2-p_k}} |\phi_k\rangle. \quad (164)$$

Notice that for any k ,

$$M_{k,0} + M_{k,1} + M_{k,2} = |\psi_k\rangle\langle\psi_k| + |\phi_k\rangle\langle\phi_k|, \quad (165)$$

and therefore the three-element set $\{M_{k,l}\}$ can also be understood as a three-outcome rank-one POVM in \mathbb{C}^2 . Moreover, taking a sum over k in Eq. (D8) one obtains that

$$\sum_{k=0}^{d-1} (M_{k,0} + M_{k,1} + M_{k,2}) = \sum_{k=0}^{d-1} (|\psi_k\rangle\langle\psi_k| + |\phi_k\rangle\langle\phi_k|) = \mathbb{1}_{\mathbb{C}^{2d}} \quad (166)$$

which implies that $M_{k,l}$ form a valid $3d$ -outcome rank-one POVM in \mathbb{C}^{2d} which we denote $\mathcal{M} = \{M_{k,l}\}$.

Let us now demonstrate that \mathcal{M} is an extremal POVM. To this end, we first notice that for any k the elements $M_{k,l}$ ($l = 0, 1, 2$) are linearly independent and, moreover, the sets $\{M_{k,0}, M_{k,1}, M_{k,2}\}$ and $\{M_{k',0}, M_{k',1}, M_{k',2}\}$ for any pair $k \neq k'$ are orthogonal in the sense that any element from the first set is orthogonal to any element in the second set. This means that all $M_{k,l}$ forming our POVM are linearly independent which together with the fact that $M_{k,l}$ are rank-one implies that \mathcal{M} is extremal [cf. Corollary 5 in Ref. [34]].

Let us now go back to our scheme of probabilistic self-testing of an arbitrary mixed state ρ and observe that after performing \mathcal{M} on her shares of the joint state, Eve obtains the outcomes $l \equiv (k, 1)$ with probability $p(k, 1|e = 1)p_l/2^N$. Whenever she obtains the outcome $(k, 1)$, the post-measurement state with the external parties is certified from Corollary 1. Now, one can clearly see that as the average state with the external parties when Eve obtains $(k, 1)$ for all k is certified from Corollary 1 to be

$$U_A \rho_A U_A^\dagger = \frac{1}{\sum_k p(k, 1)} \sum_k p(k, 1) U_A \rho_A^{(k,1)} U_A^\dagger = \left(\sum_k M_{(k,1)} \right) \otimes \tilde{\rho}_{A''} = \rho_{A'} \otimes \tilde{\rho}_{A''}, \quad (167)$$

or its complex conjugate, which is exactly as we promised. The above state occurs with a probability $1/2^N$.