

FPIM: Field-Programmable Ising Machines for Solving SAT

Thomas Jagielski*, Rajit Manohar* and Jaijeet Roychowdhury†

Abstract

On-chip analog Ising Machines (IMs) are a promising means to solve difficult combinatorial optimization problems. For scalable on-chip realizations to be practical, 1) the problem should map scalably to Ising form, 2) interconnectivity between spins should be sparse, 3) the number of bits of coupling resolution (BCR) needed for programming interconnection weights should be small, and 4) the chip should be capable of solving problems with different connection topologies. We explore these issues for the SATisfiability problem and devise **FPIM**, a reconfigurable on-chip analog Ising machine scheme well suited for SAT. To map SAT problems onto **FPIMs**, we leverage Boolean logic synthesis as a first step, but replace synthesized logic gates with Ising equivalent circuits whose analog dynamics solve SAT by minimizing the Ising Hamiltonian. We apply our approach to 2000 benchmark problems from SATLIB, demonstrating excellent scaling, together with low sparsity and low BCR that are independent of problem scale. Placement/routing reveals a very feasible requirement of less than 10 routing tracks to implement all the benchmarks, translating to an area requirement of about 10mm² for a programmable 1000-spin **FPIM** in 65nm technology.

I Introduction

In recent years, Ising Machines (IMs) have gained traction as a viable approach for solving hard combinatorial optimization (CO) problems. IMs use specialized hardware, typically based on quantum, probabilistic or analog physics/mathematics, for attacking CO problems reformulated in so-called Ising form. Though IMs were initially inspired by quantum computers [1, 2], a class of analog IMs that operate on purely classical principles has arisen. Such analog IMs are able to solve many standard CO problems competitively *vs.* quantum IMs, while typically being far simpler, smaller and cheaper. Particularly promising are analog Ising solvers that can be fabricated on chip, *e.g.*, in standard CMOS technologies—examples include OIM [3], BRIM/BLIM [4, 5] and related approaches [6].¹ The potential benefits of such on-chip analog IMs over quantum/optical ones include reductions in physical size, energy consumption and cost of many orders of magnitude, as well as feasible scaling to large problem sizes.

However, delivering the above-noted promise for practical CO problems requires careful consideration of the scala-

bility of problem mapping to Ising form and the type of connectivity required (dense or sparse). For example, the number of Ising spins needed for the Travelling Salesman Problem (TSP) grows quadratically *wrt* problem size [9]. Mapping the MU-MIMO detection problem does not lead to more spins [10, 11], but all-to-all connectivity is required, presenting an on-chip implementation challenge [12]. Another key issue for on-chip realization is configuring different connectivity patterns to address different problems. Previous work has relied on re-mapping the Ising problem onto a larger Ising fabric with a fixed sparse connection topology, such as Chimera, Pegasus or King’s graphs [13, 6, 14]. Re-mapping typically increases Ising problem size greatly [15], severely limiting the sizes of CO problems that can be solved with a fixed number of spins on an IC.

To realize the potential benefits of analog Ising solvers, a CO problem class must have an Ising mapping that does not explode with problem size and also satisfies other constraints tied to realistic on-chip implementation. In this paper, we show that SAT problems can be mapped to a practical reconfigurable Ising solver architecture, dubbed **FPIM**, that we propose. **FPIM** is not tied to a specific analog Ising scheme; it can use spins based on, *e.g.*, oscillators [16], ZIV diodes [4], CMOS latches [5], *etc.*. While the design of **FPIMs** leverages ideas from FPGAs, there are key differences between the two. In **FPIMs**, *analog* spin circuits (not, *e.g.*, digital LUTs) are coupled bi-directionally using *programmable resistive connections* that implement Ising weights.² Analog operation enables an **FPIM** to solve a CO problem using mechanisms completely different from the digital computations that FPGAs accelerate.

Our core contribution is a novel, effective way to design practical **FPIMs** for SAT problems. First, we employ logic synthesis tools (*yosys* [17], *ABC* [18]) to obtain gate-level circuits for the SAT functions to be solved. Then, we use a SAT-to-Ising mapping procedure that replaces each logic gate with an “Ising equivalent” consisting of a few spin units with weighted couplings.³ Analog dynamics enables the Ising network to settle to a SAT solution if the output spin is set to +1.

Three metrics are important in determining the size/area and routing architecture of an **FPIM**: 1) the number of spins, 2) the number of couplings per spin (sparsity), and 3) the number of bits of coupling resolution (BCR) needed. These metrics depend not only on the specific SAT problem, but also on choices that can be exercised during SAT-to-Ising mapping. We assess **FPIM** using these metrics on 2000 problems (*uf20* and *uf50* sets) from DIMACS SATLIB [19], exploring three different choices of technology mapping (gate libraries). We find that the number of spins needed grows almost linearly—as $\mathcal{O}(n^{1.1})$ —as SAT problem sizes

²*i.e.*, there is no concept of directional signal flow, unlike in digital circuits.

³Ising equivalents are defined at the Ising graph level; they can be implemented using any circuit level analog spin scheme.

*Yale University

†University of California, Berkeley.

¹In analog Ising solvers, circuits such as oscillators or analog latches function as Ising “spins”. Complex analog dynamics engendered by physical connections between the spins underlie their ability to solve CO problems. A very different approach for solving Ising problems is digital emulation, *i.e.*, solving mathematical models of analog Ising machines using fixed- or floating-point numerical methods implemented as custom ICs or on standard FPGAs (*e.g.*, [7, 8]). This work is not directly relevant to digital emulation approaches.

increase. Moreover, sparsity and BCR stay at small values that do not grow with the SAT problem’s size. These are significant results, indicating that **FPIMs** can be scaled easily to large SAT problem sizes. Running place and route, we find that all 1000 $\cup \mathbb{F}20$ problems can be mapped to an **FPIM** with fewer than 6 tracks, and that 9 tracks suffice for the 1000 $\cup \mathbb{F}50$ problems. Our results suggest that scalable **FPIMs** for SAT will be practical in the near term.

II Background

The Boolean Satisfiability (SAT) problem is a fundamental, classically difficult NP-complete/hard CO problem [20, 21] with a wide variety of practical applications [22]. A SAT problem is typically expressed in conjunctive normal form (CNF [21]), where each conjunct is the OR of a set of variables or inverted variables. This is a logical expression; the problem is to determine if there exists an assignment of truth values to the variables where the Boolean expression is satisfied. The Ising model is a general formulation for CO problems [9], including SAT, based on a cost function

$$H(s_1, \dots, s_n) \triangleq -\frac{1}{2} \sum_{i=1}^n \sum_{j=1}^n J_{ij} s_i s_j, \quad (1)$$

called the *Ising Hamiltonian*. In (1), J_{ij} is a real-valued weight associated with the connection or coupling between the i^{th} and j^{th} spins, n is the total number of spins, and $s_i \in \pm 1$ is the value of the i^{th} spin.⁴ The Ising problem is to find a set of spin assignments that minimizes the Hamiltonian.

In analog Ising machines, spins are implemented using analog circuits. For example, Oscillator Ising Machines (OIMs) [16] use oscillators whose phases encode spins, BRIM [4, 5] uses ZIV diodes and BLIM [5] uses latches, all in analog operation. Connections between spins, or coupling weights, are typically implemented using resistors.

As noted earlier, to implement an Ising machine on chip at scale, the number of spins in the Ising form of a CO problem should scale only modestly with problem size. Three further metrics are important: the *number of spins needed*, the *connection sparsity* and the *Bits of Coupling Resolution (BCR)* required to implement the weights. The number of spins directly determines the number of hardware modules needed on chip. Sparsity refers to the average number of spins each spin is coupled to. If a problem (or more precisely, its Ising formulation) is sparse,⁵ then on-chip hardware implementation becomes substantially simpler than if, e.g., the coupling is dense.⁶ This is due to the difficulty of routing dense connections, requiring $\binom{n}{2} = \frac{n(n-1)}{2}$ wires,⁷ on chip; this rapidly becomes very difficult as n increases. However, if the problem is sparse, with average node degree $d \ll n - 1$, then the total number of coupling interconnections needed is $n \frac{d}{2}$, which is easily routable. Indeed, in almost all existing ICs, d is typically a small constant, much lower than the number of units that need to be connected;

⁴The weights are symmetric, i.e., $J_{ij} = J_{ji}$; also, $J_{ii} \triangleq 0$. Note also that so-called bias or “magnetic-field” terms of the form $\sum_i b_i s_i$ added to the right-hand side of (1), are included in (1), by using an extra spin set to 1.

⁵i.e., each spin is coupled to only a few other spins, on average.

⁶i.e., each spin is coupled to every other spin.

⁷For example, for $n = 1000$ spins, the number of coupling interconnections needed is about half a million.

for example, d for a digital CMOS chip is typically between three and four.

Bits of Coupling Resolution (BCR) refers to the number of bits needed to program the coupling resistors in analog IMs. A BCR of b bits supports 2^b different settable coupling values. The required BCR depends on the nature of the Ising problem to be solved. The complexity of the circuit implementation of each programmable coupling (resistor) depends directly on the BCR, since a switched ladder network, requiring b switching elements, is typically employed.

Sparsity and BCR both depend on the problem to be solved and its Ising mapping. For easy IC implementation, a problem would ideally be sparse and also feature low BCR.

III FPIMs: Field-Programmable Ising Machines

A central goal of this work is to design an analog Ising chip that can solve problems featuring *different* (sparse) coupling connectivities on the *same* chip. Prior chip-based approaches towards this goal focussed on mapping problems onto a fixed connectivity topology such as Chimera and Pegasus [13] and King’s graphs [15, 6]. We propose a much more general scheme involving programmable connectivity fabrics, with significant advantages. We leverage the flexibility of CMOS, and draw inspiration from a wealth of prior research into the design and implementation of FPGA architectures. The ideas behind **FPIMs** are developed here in the context of SAT problems, though we anticipate uses for other problem classes as well.

The key steps in our **FPIM** synthesis flow for SAT are 1) to synthesize a SAT problem given in CNF (or any other form) as a standard gate level circuit implementation whose output is logic 1 iff the problem is SATisfiable; 2) to map this logic circuit implementation into an Ising problem, using “Ising equivalents” of the logic gates, with a known ground state⁸ that provably corresponds to the original problem being SAT; and 3) to devise an FPGA-like Ising solver chip that connects gates’ Ising equivalents reconfigurably. Sparse connectivity between logic gates translates to sparse connectivity in the Ising equivalent network. Since widely available logic synthesis tools (e.g., yosys, ABC [17, 18]) are very good at synthesizing sparsely connected, practically routable gate-level circuit implementations of virtually any multi-input logic function, this flow maps SAT problems into sparse, routable Ising solver ICs. Moreover, the BCR needed for the Ising network is proportional to the maximum number of connections to/from any single gate (i.e., maximum fan-in + fan-out) in this scheme. Since any combinational logic gate/function can be broken down into connections/compositions of e.g., two-input, one-output gates, the typical BCR does not increase with the size of the SAT problem; indeed, it can be limited to a low value, as seen in Sec. IV. These features of our **FPIM** flow are well suited for practical on-chip implementation at scale.

logic	c_z	c_{za}	c_{zb}	c_a	c_b	c_{ab}	H_{SAT}
$z = \text{false}$	1	0	0	0	0	0	-1
$z = \neg a \wedge \neg b$	2	2	2	1	1	1	-3
$z = a \vee b$	-2	-2	-2	1	1	1	-3
$z = a \wedge \neg b$	2	-2	2	-1	1	-1	-3
$z = \neg a$	0	1	0	0	0	0	-1
$z = \neg a \vee \neg b$	-2	2	2	-1	-1	1	-3
$z = a \wedge b$	2	-2	-2	-1	-1	1	-3
$z = \neg b \vee a \wedge b$	-2	-2	2	1	-1	-1	-3
$z = a$	0	-1	0	0	0	0	-1

Table 1: Ising 2inp technology map.

III.A SAT to Ising mapping for flexible on-chip implementation

We build on ideas developed in [14, 23] for mapping SAT to Ising form. The first step in our SAT-to-Ising flow is to map a given logical expression for SAT to a gate-level circuit using logic synthesis tools. Given a user-specified gate library, such tools can realize a Boolean expression as a logic network using gates from the library. Different problems will, in general, map to gate-level networks with different connectivities and primitive gates from the specified library.

Simply realizing a problem’s Boolean function as a logic gate-level network does not help solve it for SAT, however. It is here that conversion to an Ising machine makes the key difference, *i.e.*, the network becomes capable of solving the SAT problem, even though the connection of logic gates it is based on cannot. To achieve an IM, each logic gate maps to a small *Ising equivalent* network, in which the inputs and

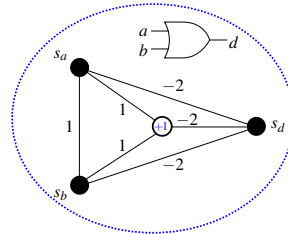


Figure 1: Ising equivalent of 2-input OR gate. The spin in the center is fixed at value +1.

The coupling weights between the spins are carefully chosen to correspond to the specific type of logic gate in question (*e.g.*, see Table 1). *The key property that is met by a correct choice of coupling weights is that if the gate’s I/O spins satisfy the Boolean relationship of the desired type of gate, then the Ising Hamiltonian of the Ising equivalent network is the minimum possible, i.e., it is the global minimum.* The converse is also true, *i.e.*, if spin assignments are not compatible with the logic function of the gate, then the Ising equivalent’s Hamiltonian value is *strictly greater* than its minimum. Importantly, this property also holds for arbitrary connections of Ising equivalent gates, implying that the overall synthesized Hamiltonian reaches its minimum possible Hamiltonian if, and only if, the logical relationships of all the connected gates are satisfied.

The crucial step that enables the Ising version of the synthesized gate-level circuit to implement a SAT solver is that its output spin can be set to 1 very easily in hardware—this enforces the SAT condition. *Fixing the output node to spin 1 constrains the network’s minimum Hamiltonian solutions to correspond automatically to SAT solutions; the sys-*

⁸Minimum-Hamiltonian states are termed “ground states”.

tem’s analog dynamics tends to settle naturally to minimum-Hamiltonian solutions. No similar solution mechanism is available in the (otherwise closely related) gate-level digital circuit, because it implements a *directional* signal flow graph; “setting an output” does not even make conceptual sense.

We have devised techniques to find Ising equivalents of 1- and 2-input logic gates.⁹ The general expression for the Hamiltonian of an Ising graph with up to 3 spins is given by

$$H = c_z z + c_{za} z a + c_{zb} z b + c_a a + c_b b + c_{ab} a b, \quad (2)$$

where a and b will map to the inputs, and z to the output, of the gate. Given any 1- or 2-input logic gate (with one output), we find coefficients $c_z, c_{za}, c_{zb}, c_a, c_b$ and c_{ab} such that (2) is strictly minimized *iff* the truth table defining the logic gate is satisfied. Table 1 shows the coefficients for the Ising equivalents of a gate library, dubbed *2inp*, that we use in Sec. IV.¹⁰ The last column of Table 1 also shows the minimum Hamiltonian value; by construction, this is achieved *iff* the correct logical relationship between the gate’s inputs and output is met. For the purposes of this paper, it suffices to verify that for each logic gate in Table 1, the coefficients listed indeed correspond to an Ising equivalent, *i.e.*, the minimum Hamiltonian is obtained *iff* the gate’s truth table is satisfied. This check is easily performed by calculating the Hamiltonian (2) for each entry in each gate’s truth table.

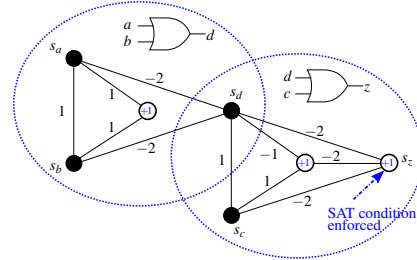


Figure 3: Ising equivalent of the gate-level circuit in Fig. 2, with the output spin set to +1 to enforce SAT.

We illustrate Ising equivalents and their composition for solving SAT using a simple OR gate example. Fig. 1 shows the Ising equivalent of a 2-input OR gate.¹¹ Now consider the following SAT problem in 3 variables a, b and c , with only one CNF clause:

$$z \triangleq a + b + c = 1. \quad (3)$$

This is easily synthesized using two 2-input OR gates as

$$d = a + b, \quad z = c + d. \quad (4)$$

as shown in Fig. 2. By connecting the OR gates’ Ising equivalents in exactly the same manner as in Fig. 2, and in addition (crucially) setting the output z to spin value +1, the

⁹Owing to DAC’s page limits, we are unable to present our gate-to-Ising-equivalent techniques in detail here; a separate publication is planned.

¹⁰Note that *2inp* includes the standard logic functions AND and OR, as well as 1-input NOT and through-buffer functions.

¹¹The coefficients in (2) for OR are the edge weights shown in Fig. 1.

Ising-mapped version of the SAT problem (3) is obtained, as shown in Fig. 3.¹²

III.B Reconfigurable networks of gate Ising-equivalents: FPIMs

The basic idea of **FPIM** is to implement Ising equivalent networks reconfigurably, using techniques similar to those used in FPGAs. Instead of LUTs as primitive building blocks (as in FPGAs), **FPIMs** use hardware spin representations (*e.g.*, oscillators for OIM, ZIV diodes for BRIM, CMOS latches for BLIM, *etc.*) as primitive elements. In addition to programmable interconnect, **FPIMs** also require programmable weights with a resolution determined by the BCR supported by the **FPIM** architecture. We use an island-style architecture, where each Ising cluster consists of a small array of spins, each with programmable resistance values between them in a dense sub-array. For SAT problems, the average node connectivity d can be quite small, as global connectivity between spins is sparse, as seen in Sec. IV.

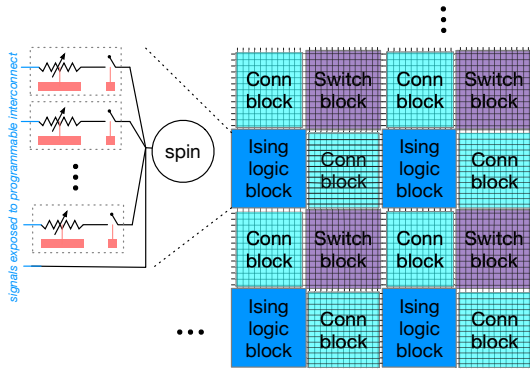


Figure 4: An example island-style **FPIM** architecture. For illustration purposes, we have shown one spin per Ising block. Programmable state-bits used to configure the programmable resistors and coupling switch are shown in red. The entire logic block contains a single hardware implementation of a spin. A direct connection to the analog voltage in the spin is also a primary bidirectional pin for the logic block. We use an oscillator for our OIM-based **FPIM** in our evaluation.

There are at least four points of departure for **FPIMs** compared to traditional FPGA architectures. First, our results (see Sec. IV) show a slightly higher connectivity requirement compared to traditional FPGAs, which can be compensated for by increasing the number of routing tracks. Second, connectivity requirements for coupling resistors are bi-directional, which requires pass-transistor based configuration rather than the direct drive architectures seen in modern FPGAs. Third, much larger pass transistors will be needed to ensure that coupling resistance values are primarily determined by programmable resistors rather than the interconnect. Fourth, a suitable choice of logic block I/O connectivity must be selected for the local island in the island-style architecture.

An example overall architecture with one spin per logic block is shown in Fig. 4. Note that this is a logical diagram, not a physical one because the wires will be partially routed over the Ising logic block. The connection

¹²Multiple edges between spin pairs have been merged (weights summed).

box and switch box will contain programmable cross-points implemented with large pass transistors to reduce the resistance of the programmable interconnect relative to the explicit coupling resistors required. Switch boxes permit programmable connectivity between horizontal and vertical routing tracks, while connection boxes provide connectivity between the Ising logic block and the interconnect tracks. We can use pass-transistors to build switches that have negligible additive resistance values compared to the desired coupling values. We also observe that the bi-directional nature of coupling in **FPIM** implies that the FPGA architecture and interconnect problem for **FPIM** is not exactly the same as that in traditional synchronous FPGAs, where the switch boxes can be used to split and fanout digital signals to multiple end-points without any loss/impact on correct operation. However, the routing problem is similar to the point-to-point pipelined interconnect required in high-throughput asynchronous FPGAs [24].

Finally, if a spin has extremely high connectivity, we can introduce *mirror spins* and force these spins to match each other. This permits decomposition of the small number of spins that have large connectivity for embedding into the **FPIM** architecture.

In a traditional FPGA architecture, the programmable routing fabric dominates the area, delay, and energy of the FPGA. While we will show that the area overhead of routing is slightly lower than a traditional FPGA for **FPIMs**, the energy and delay metrics for **FPIMs** are quite different. In particular, the goal of the programmable routing is to resistively couple *slow, time-varying, analog voltages* to each other, rather than transmitting a digital signal transition. The programmable resistors that are part of the logic block are designed to have significantly higher resistance values (20× or more) than the pass transistor logic for the interconnect, permitting us to treat the interconnect resistance as negligible. Hence, the performance and power consumption of the entire system will be dominated by the non-linear dynamics of the spin-coupled analog Ising hardware—*i.e.*, an **FPIM** will be logic-block dominated, unlike FPGAs that are interconnect dominated. The key question to answer is: can we design an interconnect that is routable, *i.e.*, supports a wide range of Ising-mapped SAT problems? We focus on this in the evaluation next.

IV FPIM metrics on SAT benchmarks

We mapped two sets of SAT problems, `uf20` and `uf50` from DIMACS SATLIB [19] (each consisting of 1000 problems), into Ising form using the above techniques. `uf20` problems each have 20 variables and 91 clauses, while `uf50` problems feature 50 variables and 218 clauses. Employing `yosys/ABC`, we synthesized each problem using three different technology libraries: 1) the `2inp` set of logic gates shown in Table 1, 2) NAND gates only, and 3) OR and NOT gates only.¹³ Note that all the Ising equivalent weights for gates in the `2inp` library are between -2 and +2, which bodes well for the BCR of our Ising formulation of SAT.

The Ising equivalent network is generated from the SATLIB problem (in `.cnf` format) via automated custom tools we

¹³Being logically complete, NAND and OR-NOT are capable of synthesizing any SAT problem.

have written. These tools perform gate-level synthesis using `yosys` and `ABC`, calculate Ising equivalents for the gates needed (e.g., like those in Table 1) and use them to translate the gate-level netlist into an Ising-equivalent one.

To assess hardware requirements for **FPIMs**, we study the characteristics of the Ising formulation of SAT problems that directly impact hardware resource requirements for a programmable architecture. In particular, we looked at the distributions of the number of spins needed, the sparsity of connections (degree of each spin node), and the BCR needed to program each weight value. The distributions over the 1000 problems in each set are shown in Tables 2 to 4. Each table shows distributions for the three technology mappings used.

It can be seen in Table 2 that over the 1000 problems in the `uf20` benchmark set, the majority (more than 900) require between 151 and 200 spins if the `2inp` technology library is applied.¹⁴ However, if the NAND-only and OR-NOT-only libraries are used, the range shifts to 251-300 and 301-350, respectively. The sparsities (average number of nodes each node is connected) over all the `uf20` problems are shown in Table 3. The table reveals that all three technology mappings have roughly the same sparsity characteristics, with the majority of nodes having between 1 and 5 connections. The BCR distribution, *i.e.*, the count of connections that need a given number of bits to program their weight values, is shown in Table 4. It can be seen that 3 bits of coupling resolution suffice for the majority of connections over all the problems, with a smaller number of 4 and 5 bit connections also needed; and that these requirements are largely independent of the technology mapping used. This constitutes important information for planning and designing an **FPIM** for `uf20` problems.

lib→	2inp	NAND	N/OR	2inp	NAND	N/OR
# spins	uf20			uf50		
0-150	1 (0)					
151-200	760 (346)					
201-250	239 (654)	61				
251-300	0 (29)	845	76			
301-350		94	862			
351-400			62			
500-600				922 (557)		
601-701				78 (443)		
701-801					27	
801-901					783	411
901-1000					190	589

Table 2: Problem counts vs. number of Ising-mapped spins. The numbers in parentheses for the `2inp` library correspond to values after spin mirroring. N/OR = OR-NOT library.

Similar data on the 1000 `uf50` problems is shown in the latter columns of Tables 2 to 4. Since these have more Boolean variables than `uf20`, it is not surprising that larger numbers of spins are required in their Ising mappings. Like for `uf20`, the `2inp` library results in significantly more compact mappings from a number-of-spins perspective, with every problem mapped using between 601 and 800 spins. We determined empirically that the number of Ising spins

¹⁴The numbers in parentheses in Table 2 are for a modified mapping, explained below.

grows as $\mathcal{O}(n^{1.1})$ with respect to the number of SAT variables n . Note, however, that the sparsity (Table 3) and BCR (Table 4) distributions are very similar to those of `uf20`. This provides the important insight that *while the number of spins increases as SAT problem sizes increase, the number of connections each spin requires, as well as the number of bits required to program those connections, remains roughly the same*. This directly implies that scalable **FPIM** architectures for arbitrary SAT-to-Ising problem sizes are possible without having to scale up connectivity and BCR requirements with problem size.

lib→	2inp	NAND	NOT/OR	2inp	NAND	NOT/OR
degree	uf20			uf50		
1-5	160.1	225.9	225.9	501.4	749.6	783.7
6-10	12.6	36.4	36.7	22.3	60.6	60.8
11-20	16.3	14.1	14.2	23.3	58.4	58.5
21-31	2.5	0.01	0.013	25.3	3.489	1.124
32-41				0.817		

Table 3: Average number of nodes/problem vs. node degree.

lib→	2inp	NAND	NOT/OR	2inp	NAND	NOT/OR
BCR	uf20			uf50		
1	223.4	319.3	476.4	745.3	1056	1375.0
2	357.0	409.0	457.9	1070.5	1300.6	1326.9
3	110.6	133.0	20.0	287.01	318.3	32.645
4	0.798	14.2	14.1	4.301	56.015	56.074
5	0.001	0.085	0.087	0.06	3.489	3.535

Table 4: Avg. number of weights/problem vs. BCR needed.

To determine the interconnect complexity required for an **FPIM**, we used the open-source VPR FPGA place-and-route software package [25]. We created an FPGA architecture description file for VPR that treats each spin as a placeable component. Connectivity is determined by the Ising problem generated via our SAT-to-Ising automated mapping flow. The interconnect has half-populated connection blocks, with a standard Wilton-style switch block, with direct connections to resistors connected to spins. The routing tracks are all singles (*i.e.*, single-hop per switch point). We ran the `uf20` and `uf50` problems through place-and-route to determine the number of routing tracks necessary to support each problem. Fig. 5 shows an example `uf20` problem placed and routed on an **FPIM**. All the `uf20` benchmarks can be mapped to an **FPIM** with less than 20 routing tracks, and all the `uf50` benchmarks can be mapped to an **FPIM** with less than 36 routing tracks. While these numbers are slightly higher than conventional FPGAs given the problem size, they are well within the capabilities of a modern CMOS process.

To reduce the interconnect requirements at the cost of slightly increased spins, we incorporated a spin mirror step after the Ising problems were created. The spin mirror step examines spins that have high connectivity (more than 8), and introduces a replica spin to reduce the connectivity in the Ising formulation where the replica is generated by inserting a buffer gate prior to Ising mapping. The numbers in parentheses in Table 2 show the increase in spins as a result of this transformation. This is similar to the process of buffer insertion in digital logic to reduce delay, but our motivation is to reduce the complexity of the programmable interconnect. We re-ran VPR on the 6,000 benchmarks (2,000

problems, 3 libraries per problem). We found that all the `uf20` benchmarks were routable with 6 tracks for a 6.3% increase in number of spins, and all the `uf50` benchmarks were routable with 9 tracks for a 3.9% increase in number spins—a $3.3\times\text{--}4\times$ reduction in the number of routing tracks. Fig. 6 shows the histogram of routing track requirements across all libraries and benchmarks (3,000 scenarios for `uf20` and for `uf50`).

Using the above information, we have estimated the areas of all the components needed to make an **FPIM**, including analog spin circuits,¹⁵ programmable resistors implemented using transmission gate ladders, and transmission gate based switch boxes, connection boxes and input MUXes. The overall estimate came to about $10M\lambda^2$ per spin, where λ represents half of the technology’s feature size. Unlike in FPGAs, this area is strongly dominated by the analog components, *i.e.*, the analog spins and programmable coupling resistors. In a 65nm process, for example, a 1000-spin **FPIM**, which is more than adequate for all the `uf50` and `uf20` problems, would occupy about 10mm^2 . This shows that **FPIMs** are in fact a practical way to implement configurable IM solvers.

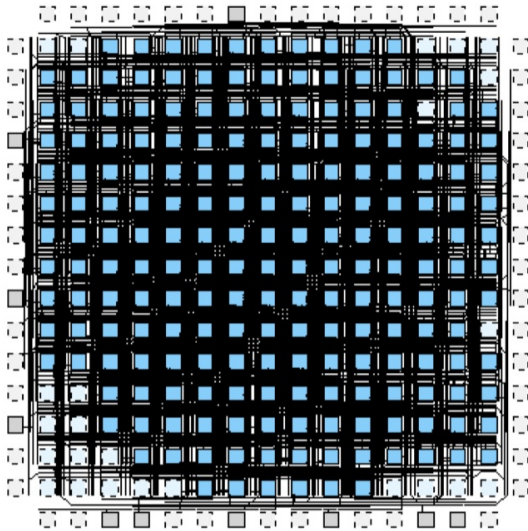


Figure 5: Placement/routing of example `uf20` problem.

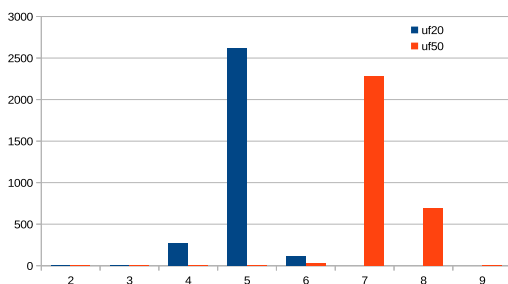


Figure 6: `uf20` and `uf50`: routing tracks needed by problems.

¹⁵assuming ring oscillators, which require more devices than, *e.g.*, CMOS latches.

Conclusion

Specializing analog Ising solver ICs for problem classes is likely a more practically feasible and competitive approach than re-mapping onto fixed, regular Ising connection topologies. We have shown that SAT problems can be mapped onto a novel but very realistic reconfigurable analog Ising solver architecture, **FPIM**. We have assessed feasibility using key metrics: the number of spins needed, connection sparsity, and the number of bits needed to program connection weights (BCR). **FPIM** is not limited to a specific electronic spin circuit, but can employ spin circuits from several available analog Ising schemes. A 1000-spin **FPIM**, which suffices for all 2000 SAT benchmark problems we considered, would occupy about 10mm^2 in a 65nm process. **FPIM** is a significant step towards practical analog Ising solver ICs for SAT and possibly other CO problems.

References

- [1] M. W. Johnson *et al.*, “Quantum annealing with manufactured spins,” *Nature*, vol. 473, no. 7346, pp. 194–198, 2011.
- [2] Z. Wang *et al.*, “Coherent Ising machine based on degenerate optical parametric oscillators,” *Phys. Rev. A*, vol. 88, no. 6, 2013.
- [3] T. Wang, L. Wu, P. Nobel, and J. Roychowdhury, “Solving combinatorial optimisation problems using oscillator based Ising machines,” *Natural Computing*, pp. 1–20, April 2021.
- [4] R. Afoakwa *et al.*, “BRIM: Bistable Resistively-Coupled Ising Machine,” in *IEEE HPCA*, 2021, pp. 749–760.
- [5] J. Roychowdhury, “Bistable Latch Ising Machines,” *Proc. UCNC*, October 2021.
- [6] I. Ahmed *et al.*, “A Probabilistic Compute Fabric Based on Coupled Ring Oscillators for Solving Combinatorial Optimization Problems,” *IEEE J. Solid-State Ckts.*, vol. 56, no. 9, September 2021.
- [7] K. Tatumura, M. Yamasaki, and H. Goto, “Scaling out Ising machines using a multi-chip architecture for simulated bifurcation,” *Nature Electronics*, vol. 4, no. 3, pp. 208–217, 2021.
- [8] K. Tatumura, A. R. Dixon, and H. Goto, “FPGA-based simulated bifurcation machine,” in *Proc. FPL*, 2019, pp. 59–66.
- [9] A. Lucas, “Ising formulations of many NP problems,” *Frontiers in Physics*, vol. 2, p. 5, 2014.
- [10] M. Kim *et al.*, “Leveraging quantum annealing for large MIMO processing in centralized radio access networks,” in *Proc. ACM SIG on Data Comm.*, 2019.
- [11] J. Roychowdhury, J. Wabnig and K.P. Srinath, “Performance of Oscillator Ising Machines on Realistic MU-MIMO Decoding Problems,” [Web link to preprint](#).
- [12] N. Sagan and J. Roychowdhury, “DaS: Implementing Dense Ising Machines Using Sparse Resistive Networks,” in *Proc. ICCAD*, November 2022.
- [13] K. Boothby *et al.*, “Next-Generation Topology of D-Wave Quantum Processors,” *arXiv:2003.00133*, 2020.
- [14] J. Su, T. Tu, and L. He, “A quantum annealing approach for Boolean Satisfiability problem,” in *Proc. IEEE DAC*, 2016.
- [15] Y. Sugie *et al.*, “Minor-embedding heuristics for large-scale annealing processors with sparse hardware graphs of up to 102,400 nodes,” *Soft Comput.*, vol. 25, no. 3, 2021.
- [16] T. Wang, L. Wu and J. Roychowdhury, “New Computational Results and Hardware Prototypes for Oscillator-based Ising Machines,” in *Proc. IEEE DAC*, 2019, pp. 239:1–239:2.
- [17] C. Wolf, J. Glaser, and J. Kepler, “Yosys—a free Verilog synthesis suite,” in *Proc. Austrochip*, 2013.
- [18] R.K. Brayton and A. Mishchenko, “ABC: An Academic Industrial-Strength Verification Tool,” in *Proc. CAV*, 2010.
- [19] H. H. Hoos and T. Stütze, “SATLIB: An online resource for research on SAT,” *SAT*, vol. 2000, pp. 283–292, 2000.
- [20] R. M. Karp, “Reducibility among combinatorial problems,” in *Complexity of Computer Computations*. Springer, 1972, pp. 85–103.
- [21] L. Zhang and S. Malik, “The Quest for Efficient Boolean Satisfiability Solvers,” in *International Conference on Computer Aided Verification*, 2002, pp. 17–36.
- [22] J. Marques-Silva, “Practical applications of Boolean Satisfiability,” in *9th Int. Workshop on Discrete Event Syst.*, 2008.

- [23] Z. Bian, F. A. Chudak, W. G. Macready, A. Roy, R. Sebastiani, and S. Varotti, "Solving SAT and MaxSAT with a Quantum Annealer: Foundations, Encodings, and Preliminary Results," *arXiv:1811.02524*, November 2018.
- [24] J. Teifel and R. Manohar, "Highly pipelined asynchronous FPGAs," in *Proc. FPGA*, 2004, pp. 133–142.
- [25] V. Betz and J. Rose, "VPR: A new packing, placement and routing tool for FPGA research," in *Proc. FPL*, 1997, pp. 213–222.