

SCALING SYMMETRIES AND PARAMETER REDUCTION IN EPIDEMIC SI(R)S MODELS.

FLORIAN NILL
MAY 30, 2023

Department of Physics, Free University Berlin, Arnimallee 14, 14195 Berlin, Germany.

ABSTRACT. Symmetry concepts in parametrized dynamical systems may reduce the number of external parameters by a suitable normalization prescription. If, under the action of a symmetry group \mathcal{G} , parameter space \mathcal{A} becomes a (locally) trivial principal bundle, $\mathcal{A} \cong \mathcal{A}/\mathcal{G} \times \mathcal{G}$, then the normalized dynamics only depends on the quotient \mathcal{A}/\mathcal{G} . In this way, the dynamics of fractional variables in homogeneous epidemic SI(R)S models, with standard incidence, absence of R -susceptibility and compartment independent birth and death rates, turns out to be isomorphic to (a marginally extended version of) Hethcote's classic endemic model, first presented in 1973. The paper studies a 10-parameter master model with constant and I -linear vaccination rates, vertical transmission and a vaccination rate for susceptible newborns. As recently shown by the author, all demographic parameters are redundant. After adjusting time scale, the remaining 5-parameter model admits a 3-dimensional abelian scaling symmetry. By normalization we end up with Hethcote's extended 2-parameter model. Thus, in view of symmetry concepts, reproving theorems on endemic bifurcation and stability in such models becomes needless.

1. INTRODUCTION

The classic SIR model was introduced by Kermack and McKendrick in 1927 [25] as one of the first models in mathematical epidemiology. The model divides a population into three compartments with fractional sizes S (Susceptibles), I (Infectious) and R (Recovered), such that $S + I + R = 1$. The flow diagram between compartments, as given in Figure 1, leads to the dynamical system

$$\dot{S} = -\beta SI, \quad \dot{I} = \beta SI - \gamma I, \quad \dot{R} = \gamma I. \quad (1.1)$$

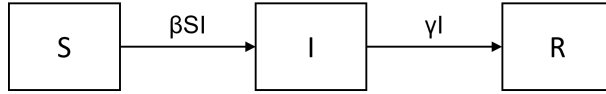


Figure 1. Flow diagram of the SIR model.

Here, γ denotes the recovery rate and β the effective contact rate (i.e., the number of contacts/time leading to infection of a susceptible, given the contacted was infectious). Members of R are supposed to be immune forever. Due to (1.1), S decreases monotonically, eventually causing $\beta S < \gamma$ and $\dot{I} < 0$. At the end, the disease dies out, $I_\infty = 0$, and one stays with a nonzero final size $S_\infty > 0$, thus providing a model for *Herd immunity*.

To construct models also featuring *endemic*, scenarios one needs enough supply of susceptibles to keep the incidence βSI ongoing above a positive threshold. The literature discusses three basic methods to achieve this, see Figure 2.

E-mail address: florian.nill@fu-berlin.de.

2020 *Mathematics Subject Classification.* 34C23, 34C26, 37C25, 92D30.

Key words and phrases. Symmetries in parametric dynamical systems; SIRS model; classic endemic model; parameter reduction; normalization.

- Heathcote's *classic endemic model* adds balanced birth and death rates μ to the SIR model and assumes all newborns are susceptible. This leads to a bifurcation from a stable disease-free equilibrium point to a stable endemic scenario when raising the basic reproduction number $r_0 = \beta/(\gamma_R + \mu)$ above one [19, 21, 23, 22].
- The *SIRS model* adds an immunity waning flow, $\alpha_R R$ from R to S , to the SIR model, leading to the same result, with $r_0 = \beta/\gamma_R$
- The *SIS model* considers recovery without immunity, i.e., a recovery flow $\gamma_S I$ from I to S , while putting $R = 0$. Again, this leads to the same result, with $r_0 = \beta/\gamma_S$.

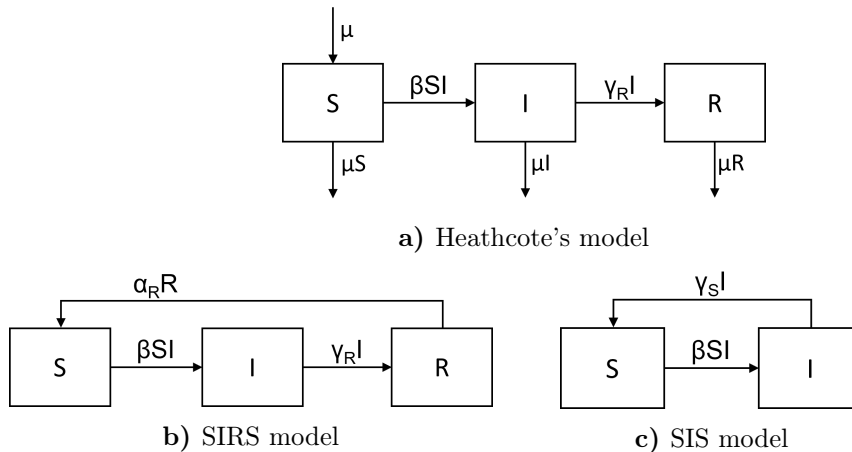


Figure 2. Standard models featuring endemic equilibria.

Since the original work by Hethcote the literature on endemic bifurcation in SI(R)S-type models is vast. For a comprehensive and self-contained overview of the history, methods and results in mathematical epidemiology see the textbook by M. Martcheva [30], wherein an extensive list of references to original papers is also given. One should also mention that SIR-type models always neglect incubation times, so in this paper I will not look at SEIR models taking care of that.

This paper is based on the idea that, when adding more parameters to standard models, re-proving theorems may become superfluous, if instead there is a symmetry operation “turning parameter space north”, i.e. mapping the seemingly more complicated model to the simpler one. Obvious examples would be diagonalizing the matrix \mathbf{A} in a linear system $\dot{\mathbf{x}} = \mathbf{A}\mathbf{x}$ or rotating a constant external (say magnetic) force field $\mathbf{B} = (B_1, B_2, B_3)$ in a system of radially interacting particles such that $g\mathbf{B} = (0, 0, |\mathbf{B}|)$, $g \in SO(3)$. In SI(R)S-type models the simplest example has been proposed in [34], showing that, under quite general conditions, demographic parameters are explicitly redundant when looking at fractional variables (so, this may be viewed as a translation symmetry in parameter space). Applying this, for example, to a recent paper on backward bifurcation in a variable population SIRS model with R -susceptibility by [3], many results of that paper already follow from earlier results in [28] and [29].

Going one step ahead, in this paper I will analyze parameter symmetries in a homogeneous 10-parameter SI(R)S \equiv combined SIRS/SIS model with standard incidence, four demographic parameters and a continuous vaccination flow from S to R . Motivated by common observations in the Covid-19 pandemic, I will additionally consider a vaccination rate being proportional to I . This models diminishing willingness to get vaccinated when public data indicate decreasing prevalence. Using redundancy of birth and death rates and three scaling transformations, we will see that such an elaborated model in fact still boils down to a marginally extended version of Hethcotes classic endemic model. This generalizes earlier results in [33]. As a particular consequence, an I -linear vaccination rate may always be transformed to zero. In summary, by

symmetry arguments reproving theorems on endemic bifurcation and stability in such models becomes needless.

The plan of this paper is as follows. Section 2 gives a self contained review on Hethcote's endemic model, thereby introducing basic terminology and notation. To prepare the setting for symmetry operations, I will look at a mathematically slightly extended version, by allowing also negative values of S and possibly negative recovery rates $\gamma_R > -\mu$. Standard techniques for proving endemic bifurcation and stability immediately generalize to this setting. Identifying $\gamma := \gamma_R + \mu > 0$ as a pure time scale, this model essentially depends on just two parameters.

Section 3 introduces the 10-parameter SI(R)S model. After removing redundant demographic parameters and performing two more transformation steps, we will see that for a wide range of parameters $\mathbf{a} \in \mathcal{A}^*$, including all epidemiologically interesting scenarios, this model actually becomes isomorphic to the extended 2-parameter Hethcote model. In absence of immunity waning and constant vaccination, but still with an I -linear vaccination and two recovery flows from I to R and S , respectively, the model even becomes isomorphic to the classic SIR model, see Subsection 3.5.

Section 4 provides a group theoretical approach to explain this scenario. There is a coordinate free concept of parameter symmetry as a group \mathcal{G} acting on phase \times parameter space, $\mathcal{P} \times \mathcal{A}$, projecting to an action of \mathcal{G} on \mathcal{A} , and leaving the dynamical system form invariant. In our SI(R)S model, choosing suitable coordinates in $\mathcal{P} \times \mathcal{A}$, the group \mathcal{G} is easily identified as a composition of scaling transformations of, respectively, S, I and $x - 1, x$ being the replacement number. The action of \mathcal{G} on \mathcal{A} leaves the above sub-range $\mathcal{A}^* \subset \mathcal{A}$ invariant and turns \mathcal{A} into a principal \mathcal{G} -bundle. Moreover, $\mathcal{A}^* \cong \mathcal{A}^*/\mathcal{G} \times \mathcal{G}$ as trivial principal bundles, and any such trivialization induces an isomorphism mapping the original system with parameter space \mathcal{A}^* to an equivalent system with reduced parameter space $\mathcal{A}^*/\mathcal{G}$. In this way, the 2-parameter space of the extended Hethcote model is identified as the quotient $\mathcal{A}^*/\mathcal{G}$. We also have a "gauge fixing result" result, showing that any parameter configuration $\mathbf{a} \in \mathcal{A}^*$ is \mathcal{G} -equivalent to a configuration $\mathbf{a}' \in \mathcal{A}_{\text{bio}}$, where $\mathcal{A}_{\text{bio}} \subset \mathcal{A}$ denotes the subset of epidemiologically admissible parameters.

Appendix A relates the Korobeinikov-Wake SIRS model in [27] to the present formulation in Section 3, showing that without additional parameter constraints their model may possibly lead to non-physical equilibrium states, $S^* > 1$. Appendix B provides a Hamiltonian approach to the "quasi-SIR case" in Section 3.5 and Appendix C shortly describes the exceptional case of a SIS model with I -linear vaccination not covered within the main setting.

2. HETHCOTE'S ENDEMIC MODEL REVISITED

In this Section we introduce notation and terminology and shortly review Hethcote's classic results [19, 21, 23, 22]. Replacing $R = 1 - S - I$, Hethcote's model in Fig. 2 leads to the dynamical system

$$\dot{S} = -\beta SI + \mu(1 - S), \quad \dot{I} = \beta SI - (\gamma_R + \mu)I$$

Introducing dimensionless variables

$$\begin{aligned} \gamma &:= \gamma_R + \mu & r_0 &:= \beta/\gamma & a &:= \mu/\gamma \\ x &:= r_0 S & y &:= r_0 I & \tau &:= \gamma t \end{aligned} \tag{2.1}$$

we get

$$\begin{aligned} \gamma^{-1} \dot{x} &= -xy + a(r_0 - x), \\ \gamma^{-1} \dot{y} &= (x - 1)y. \end{aligned} \tag{2.2}$$

Here, r_0 is the *basic reproduction number* (also called *contact number* by Hethcote), i.e. the average number of new cases produced by one infected in a totally susceptible population, and x is the *effective reproduction number* (also called *replacement number* by Hethcote), i.e. the average number of new cases produced by one infected at time t . More generally, the replacement

number x could be defined as the ratio inflow/outflow at the I -compartment, making the second equation in (2.2) universal by definition. In particular, endemic equilibria always satisfy $x = 1$. Looking at domains of definition, Eqs. (2.1) imply

$$(x, y) \in \mathbb{R}_{\geq 0}^2, \quad x + y \leq r_0, \quad 0 \leq a < 1, \quad r_0 > 0.$$

Also, $\gamma > 0$ only sets time scale, i.e. without loss one could choose $\gamma = 1$ and use τ as a rescaled time variable. We now slightly extend the above restrictions by using the

Definition 2.1. By the *extended Hethcote model* we mean the dynamical system (2.2) on phase space $\mathcal{P} = \{(x, y) \in \mathbb{R} \times \mathbb{R}_{\geq 0}\}$ with parameters $\gamma > 0$, $a > 0$, $r_0 \in \mathbb{R}$.

Hethcote's original methods immediately apply to this extended version. First note

Lemma 2.2. *For any initial condition $\mathbf{p}_0 \in \mathcal{P}$ the forward flow of the system (2.2) stays bounded.*

Proof. Let $x_- \leq \min\{0, r_0\}$ and $x_+ \geq \max\{0, r_0, ar_0 + (1-a)x_-\}$ and denote $T(x_-, x_+) \subset \mathcal{P}$ the triangle with corners $\mathbf{p}_\triangleleft = (x_-, 0)$, $\mathbf{p}_\triangleright = (x_+, 0)$ and $\mathbf{p}_\Delta = (x_-, x_+ - x_-)$. Since given $\mathbf{p}_0 \in \mathcal{P}$ we can always choose x_\pm as above such that $\mathbf{p}_0 \in T(x_-, x_+)$, it is enough to show that $T(x_-, x_+)$ is forward invariant. Since obviously $y = 0 \Rightarrow \dot{y} = 0$ and $x = x_- \Rightarrow \dot{x} \geq 0$ we are left to show that on the diagonal $0 \leq y = x_+ - x \leq x_+ - x_-$ we have $\dot{x} + \dot{y} \leq 0$. Assuming $a \leq 1$ we get $\dot{x} + \dot{y} = a(r_0 - x_+) + (a-1)y \leq 0$. If instead $a > 1$ then $\dot{x} + \dot{y} \leq a(r_0 - x_+) + (a-1)(x_+ - x_-) \leq 0$. \square

Next, using y^{-1} as a Dulac function as in [21, 23], one immediately checks $\partial_x(\dot{x}/y) + \partial_y(\dot{y}/y) = -(1 + a/y) < 0$, and so, by the Bendixson–Dulac theorem, in \mathcal{P} there exist no periodic solutions, homoclinic loops or oriented phase polygons of the dynamical system (2.2). Thus we arrive at

Theorem 2.3 (Hethcote 1973 [19]). *For any initial condition $\mathbf{p}_0 = (x_0, y_0) \in \mathcal{P}$ the forward orbit $\phi_t(\mathbf{p}_0)$ of the dynamical system (2.2) exists for all $t > 0$. If $r_0 \leq 1$ or $y_0 = 0$, then $\lim_{t \rightarrow \infty} \phi_t(\mathbf{p}_0) = (r_0, 0)$. Otherwise $\lim_{t \rightarrow \infty} \phi_t(\mathbf{p}_0) = (1, a(r_0 - 1))$.*

Proof. Existence of ϕ_t for all $t > 0$ follows from boundedness. If $y_0 = 0$, then (2.2) can immediately be integrated yielding $\phi_t(x_0, 0) = (r_0 + (x_0 - r_0)e^{-at}, 0)$. If $r_0 \leq 1$, then the disease free equilibrium $\mathbf{p}_{dfe}^* := (r_0, 0)$ is the only equilibrium point (EP) in \mathcal{P} and the statement follows by absence of periodic solutions and the Poincaré–Bendixson Theorem. If $r_0 > 1$, then there also exists the endemic EP $\mathbf{p}_{end}^* := (1, a(r_0 - 1)) \in \mathcal{P}$ and, by the same argument, the omega limit set of $\{\phi_t(\mathbf{p}_0)\}$ must consist of one of the two EPs. If $y_0 > 0$ it must be \mathbf{p}_{end}^* , either by arguing that \mathbf{p}_{dfe}^* is a saddle point with attractive line $\{y = 0\}$ (calculate the Jacobian), or by using that

$$L(x, y) := y \exp \left[\frac{y + (x - 1)^2/2}{a(1 - r_0)} \right]$$

provides a Lyapunov function satisfying $L(x, 0) = 0$, $L(x_0, y_0) > 0$ and

$$\gamma^{-1} \dot{L} = \frac{(a + y)(x - 1)^2}{r_0 - 1} L \geq 0.$$

\square

To study the asymptotic behavior at these equilibria one has to compute eigenvalues and slopes of eigenvectors of the Jacobian. For example, as already noted by Hethcote in [21, 23, 22], see also chapter 3.4–3.5 in the text book by M. Martcheva [30], there is a sub-range $a < 1$ and $1 < r_- < r_0 < r_+$, where the endemic equilibrium becomes spiral and hence this model shows endemic oscillations. A complete detailed analysis of possible asymptotic scenarios has also been given in [33].

3. THE 10-PARAMETER SI(R)S MODEL

This section introduces a homogeneous 10-parameter SI(R)S-model (i.e. mixed SIRS/SIS model) with standard incidence and flow diagram as depicted in Fig. 3. The model describes the infection dynamics of three compartments with populations $\mathbf{P} = (\mathbb{S}, \mathbb{R}, \mathbb{I}) \in \mathbb{R}_{\geq 0}^3$ and total population $N = \mathbb{S} + \mathbb{I} + \mathbb{R} > 0$. Members of \mathbb{I} are infectious, members of \mathbb{S} are susceptible (not immune) and members of \mathbb{R} are immune due to recovery or vaccination. To model widely experienced social behavior, Fig. 3 introduces the parameter θ to the classic setting. It describes the *willingness to get vaccinated* by assuming a vaccination rate θI proportional to the prevalence $I := \mathbb{I}/N$. As we will see, such an extended model can always be transformed to the standard case $\theta = 0$ (Corollary 4.3).

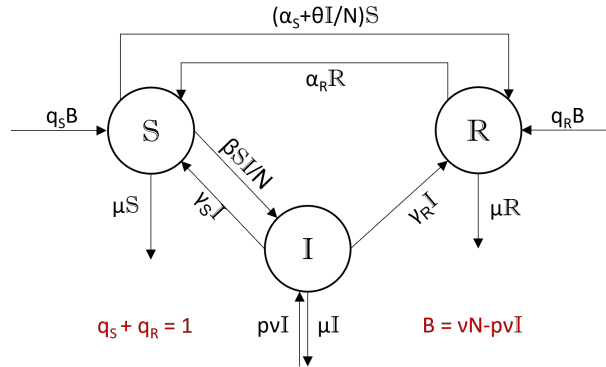


Figure 3. Flow diagram of the SI(R)S model. $B = \nu N - p\nu\mathbb{I}$ denotes the number of not infected newborns per unit of time.

Parameters in this model are

- α_S : Constant vaccination rate.
- θ : Willingness to get vaccinated given the actual prevalence $I = \mathbb{I}/N$.
- α_R : Immunity waning rate.
- β : Effective contact rate of a susceptible from \mathbb{S} .
- $\gamma_S, \gamma_R, \gamma$: Recovery rates for $\mathbb{I} \rightarrow \mathbb{S}$ and $\mathbb{I} \rightarrow \mathbb{R}$, respectively. $\gamma := \gamma_S + \gamma_R$.
- μ : Mortality rate, assumed to be compartment independent.
- ν : Rate of newborns, assumed to be compartment independent.
Newborns from \mathbb{S} and \mathbb{R} are not supposed to be infected.
- p : Probability of a newborn from \mathbb{I} to be infected.
- B : Sum of not infected newborns, $B = \nu N - p\nu\mathbb{I}$.
- q_S, q_R : Split ratio of not infected newborns landing in \mathbb{S} and \mathbb{R} , $q_S + q_R = 1$. So, q_R is the vaccinated portion of not infected newborns.

Epidemiologically all parameters are assumed nonnegative. Also, $p \leq 1$, $q_S + q_R = 1$, $\beta > 0$ and $\gamma > 0$. So in total we have 10 parameters, four of which, (ν, μ, p, q_R) , are purely demographic. Subcases of this model with constant population and $\theta = 0$ have been analyzed e.g. in [27, 36]. Of course, Hethcote's classic endemic model is also a special subcase, which has been reinvented several times, see e.g. [40, 7, 4].

At this place one should mention that there are various models in the literature treating vaccination and loss of immunity differently. For example, one might introduce a separate compartment V to distinguish vaccinated from recovered individuals (see, e.g. [1]). Time dependent vaccination rates have also been studied in [39] by applying optimal control methods and in [26] by letting the vaccination activity be functionally dependent on the history of the prevalence via the Preisach hysteresis operator. Following a similar philosophy, in [12, 10] the authors use an information variable M to model how information on current and past states of the disease influences decisions in families whether to vaccinate or not their children.

Partial and/or waning immunity may also be modeled by introducing a diminished transmission rate directly from R to I (or V to I). Such models are well known to lead to a so-called *backward bifurcation*, see e.g. [15, 16, 28, 1, 3, 2]. In fact, the methods of this paper will generalize to such a setting, see [35].

I am now going to show that the full 10-parameter model in Fig. 3 in fact boils down to the extended Hethcote model as defined in Definition 2.1.

3.1. Redundancy of birth and death rates. In a first step, we follow the strategy of [34], showing that in the dynamics of fractional variables $\mathbf{p} := N^{-1}\mathbf{P} \equiv (S, R, I)$ the four demographic parameters $(\mu, \nu, p, q_S = 1 - q_R)$ become redundant. We have $\dot{N} = (\nu - \mu)N$ and

$$\dot{\mathbf{p}} = \mathbf{L}\mathbf{p} + \mathbf{M}\mathbf{p} + \mathbf{\Lambda}(\mathbf{p}) + (\mu - \nu)\mathbf{p}, \quad (3.1)$$

$$\mathbf{L} := \begin{pmatrix} q_S\nu - \mu & q_S\nu & q_S(1-p)\nu \\ q_R\nu & q_R\nu - \mu & q_R(1-p)\nu \\ 0 & 0 & p\nu - \mu \end{pmatrix} \quad (3.2)$$

$$\mathbf{M} := \begin{pmatrix} -\alpha_S & \alpha_R & \gamma_S \\ \alpha_S & -\alpha_R & \gamma_R \\ 0 & 0 & -\gamma \end{pmatrix}, \quad \mathbf{\Lambda}(\mathbf{p}) := \begin{pmatrix} -(\beta + \theta)SI \\ \theta SI \\ \beta SI \end{pmatrix} \quad (3.3)$$

Now, demographic parameters become redundant by putting $\tilde{M}_{ij} := M_{ij} + L_{ij} + (\mu - \nu)\delta_{ij}$, i.e.

$$\begin{aligned} \tilde{\alpha}_S &:= \alpha_S + q_R\nu, & \tilde{\gamma}_S &:= \gamma_S + q_S(1-p)\nu, \\ \tilde{\alpha}_R &:= \alpha_R + q_S\nu, & \tilde{\gamma}_R &:= \gamma_R + q_R(1-p)\nu. \end{aligned} \quad (3.4)$$

In this way, the number of effective parameters reduces from ten to six. So, from now on, we put without loss $\mu = \nu = 0$ and omit the tilde above parameters. Again, it is convenient to introduce dimensionless parameters. Put $\gamma := \gamma_R + \gamma_S$ and

$$\begin{aligned} \alpha_1 &:= \alpha_S/\gamma, & \gamma_1 &:= \gamma_S/\gamma, & \beta_1 &:= \beta/\gamma, \\ \alpha_2 &:= \alpha_R/\gamma, & \gamma_2 &:= \gamma_R/\gamma, & \theta_1 &:= \theta/\gamma. \end{aligned}$$

Note that $\beta_1 \equiv r_0$. The new notation indicates a possible generalization to models where also R is susceptible [35]. With this notation the dynamics takes the form

$$\gamma^{-1}\dot{\mathbf{p}} = \mathbf{F}_{\mathbf{a}}(\mathbf{p}) := \mathbf{M}\mathbf{p} + \mathbf{\Lambda}(\mathbf{p}) \quad (3.5)$$

$$\mathbf{M} := \begin{pmatrix} -\alpha_1 & \alpha_2 & \gamma_1 \\ \alpha_1 & -\alpha_2 & \gamma_2 \\ 0 & 0 & -1 \end{pmatrix}, \quad \mathbf{\Lambda}(\mathbf{p}) := SI \begin{pmatrix} -(\beta_1 + \theta_1) \\ \theta_1 \\ \beta_1 \end{pmatrix}. \quad (3.6)$$

We start with an extended parameter space by putting $a := \alpha_1 + \alpha_2$, $\beta_+ := \beta_1 + \theta_1$ and requiring $\mathbf{a} := (\alpha_1, \alpha_2, \gamma_1, \gamma_2, \beta_1, \beta_+) \in \mathcal{A}$. Here we put

$$\mathcal{A} := \{\mathbf{a} \in \mathbb{R}^4 \times \mathbb{R}_+^2 \mid a > 0 \wedge \gamma_1 + \gamma_2 = 1\}, \quad (3.7)$$

$$\mathcal{A}_{\text{bio}} := \mathcal{A} \cap \{\alpha_i \geq 0 \wedge \gamma_i \geq 0 \wedge \beta_+ \geq \beta_1\}, \quad (3.8)$$

$$\mathcal{A}_{\text{bio},0} := \mathcal{A}_{\text{bio}} \cap \{\theta_1 = 0\}, \quad (3.9)$$

while $\gamma > 0$ is understood throughout. So, \mathcal{A}_{bio} denotes the epidemiologically admissible subset of parameters. Also, we start with defining the system (3.5) on the extended phase space $\mathbf{p} \in \mathcal{P}$ given by the half plane

$$\mathcal{P} := \{\mathbf{p} \equiv (S, R, I) \in \mathbb{R}^2 \times \mathbb{R}_{\geq 0} \mid S + R + I = 1\}. \quad (3.10)$$

Clearly, \mathcal{P} stays invariant under the dynamics (3.5) for all $\mathbf{a} \in \mathcal{A}$. Epidemiologically the system is considered for initial conditions in the *physical triangle* $\mathcal{T}_{\text{phys}} \subset \mathcal{P}$

$$\mathcal{T}_{\text{phys}} := \mathcal{P} \cap \mathbb{R}_{\geq 0}^3. \quad (3.11)$$

It is straightforward to check that for all $\mathbf{a} \in \mathcal{A}_{\text{bio}}$ this triangle stays forward invariant under the dynamics (3.5), i.e. if $\mathbf{p} \in \mathcal{T}_{\text{phys}}$ and $p_i = 0$ then $\dot{p}_i \geq 0$.¹

Remark 3.1. The ‘‘quasi-SIR limit’’ $\alpha_1 = \alpha_2 = 0$ becomes an integrable Hamiltonian model, see Section 3.5 and Appendix B.

3.2. Dynamics of the replacement number. From now on we substitute $R = 1 - S - I$ and drop the variable R . Hence $\mathcal{P} = \{(S, I) \in \mathbb{R} \times \mathbb{R}_{\geq 0}\}$ and $\mathcal{T}_{\text{phys}} = \{(S, I) \in \mathbb{R}_{\geq 0}^2 \mid S + I \leq 1\} \subset \mathcal{P}$. In a second step we now proceed similar as in [33] and define

$$\begin{aligned} x &:= \beta_1 S, & y &:= \beta_+ I, \\ R_0 &:= \beta_1 \frac{\alpha_2}{a} \equiv r_0 \frac{\alpha_2}{a}, & \rho &:= (\alpha_2 - \gamma_1) \frac{\beta_1}{\beta_+}. \end{aligned} \quad (3.12)$$

Then $(x, y) \in \mathcal{P}$ and the equations of motion (3.5) are equivalent to

$$\begin{aligned} \gamma^{-1} \dot{x} &= -xy - \rho y + a(R_0 - x), \\ \gamma^{-1} \dot{y} &= (x - 1)y. \end{aligned} \quad (3.13)$$

Here, x is again the replacement number and R_0 is the well known *vaccination reduced reproduction number* [13]. Note that for $\mathbf{a} \in \mathcal{A}_{\text{bio}}$ the definitions imply $0 \leq R_0 \leq r_0$ and $-1 \leq \rho \leq a$. Also note that choosing the variables (x, y) has further reduced the number of free parameters from six to four, i.e. the dynamics in Eq. (3.13) is independent of β_1 and β_+ . Instead, these parameters now fix the image of the physical triangle $\mathcal{T}_{\text{phys}}$ in xy -space.

$$\mathcal{T}_{\text{phys}}(\beta_1, \beta_+) := \{(x, y) \in \mathbb{R}_{\geq 0}^2 \mid x/\beta_1 + y/\beta_+ \leq 1\}, \quad 0 < \beta_1 \leq \beta_+. \quad (3.14)$$

So, given (a, R_0, ρ) and the position of $\mathcal{T}_{\text{phys}} \subset \mathcal{P}$, one recovers $\mathbf{a} \in \mathcal{A}$. More precisely, we have

Lemma 3.2. Put $b := (\alpha_2 - \gamma_1)\beta_1 \equiv \beta_+\rho$ and $\mathcal{B} := (\mathbb{R}_+ \times \mathbb{R}^2) \times \mathbb{R}_+^2$. The map

$$f : \mathcal{A} \ni \mathbf{a} \mapsto (a, R_0, b) \times (\beta_1, \beta_+) \in \mathcal{B}$$

is bijective with inverse f^{-1} given by

$$\alpha_1 = a - aR_0/\beta_1, \quad \alpha_2 = aR_0/\beta_1, \quad \gamma_1 = (aR_0 - b)/\beta_1, \quad \gamma_2 = 1 - \gamma_1. \quad (3.15)$$

Moreover,

$$f(\mathcal{A}_{\text{bio}}) = \mathcal{B} \cap \{0 \leq R_0 \leq \beta_1 \leq \beta_+ \wedge aR_0 - \beta_1 \leq b \leq aR_0\}. \quad (3.16)$$

Proof. Eq. (3.15) is straightforward and the conditions in the r.h.s. of (3.16) are equivalent to, respectively, $0 \leq \alpha_2 \leq a$, $\theta_1 \geq 0$ and $0 \leq \gamma_1 \leq 1$. \square

Lemma 3.2 motivates the following definition.

Definition 3.3. Let $a > 0$, $0 \leq R_0$ and $-1 \leq \rho \leq a$ be given. Then (β_1, β_+) , respectively triangles $\mathcal{T}_{\text{phys}}(\beta_1, \beta_+)$, are called *admissible*, if $(a, R_0, \beta_+\rho) \times (\beta_1, \beta_+) \in f(\mathcal{A}_{\text{bio}})$.

Since for $\mathbf{a} \in \mathcal{A}_{\text{bio}}$ physical triangles are forward invariant under the dynamics (3.5), we conclude

Corollary 3.4. *Admissible triangles $\mathcal{T}_{\text{phys}}(\beta_1, \beta_+)$ are forward invariant under the dynamics (3.13).*

Remark 3.5. I should remark that Eqs. (3.13) have been obtain in equivalent form by Koro-beinikov and Wake in [27], with $\rho \geq 0$, but without the upper bound $\rho \leq a$. This is due to the fact that the authors consider possibly unbalanced birth and death rates, $\mu \neq \nu$, but still require the total population to be time independent. With other words, the recovered/immune compartment is forced to obey $\dot{R} = -\dot{S} - \dot{I}$ anyhow. For $\mu \neq \nu$, this leads to a non-constant and S - and I -dependent mortality rate in the R -compartment. Nevertheless, this system transforms to the present setting, with $\mathbf{a} \in \mathcal{A}$, but possibly with α_1 and γ_2 negative, so $\mathbf{a} \notin \mathcal{A}_{\text{bio}}$, see

¹More generally it can be shown that $\mathcal{T}_{\text{phys}}$ is forward invariant iff $\mathbf{a} \in \mathcal{A} \cap \{\theta_1 \geq -\alpha_1 - \gamma_2 - 2\sqrt{\alpha_1 \gamma_2}\}$.

Appendix A for the details. The fact that global stability results as in [27] may also hold outside of \mathcal{A}_{bio} will be covered by Theorem 3.9 below.

3.3. Equilibrium states. From the dynamics (3.13) we immediately read off the solutions of $\dot{x} = \dot{y} = 0$, yielding a disease free equilibrium $(x_{\text{dfe}}^*, y_{\text{dfe}}^*)$ and an endemic equilibrium $(x_{\text{end}}^*, y_{\text{end}}^*)$,

$$(x_{\text{dfe}}^*, y_{\text{dfe}}^*) = (R_0, 0), \quad (x_{\text{end}}^*, y_{\text{end}}^*) = (1, a(R_0 - 1)/(\rho + 1)), \quad (3.17)$$

where the endemic equilibrium requires $R_0 > 1$ and $\rho > -1$. In terms of original variables and parameters this gives

$$(S_{\text{dfe}}^*, I_{\text{dfe}}^*) = \left(\frac{R_0}{r_0}, 0 \right) = \left(\frac{\alpha_R}{\alpha_S + \alpha_R}, 0 \right), \quad (3.18)$$

$$(S_{\text{end}}^*, I_{\text{end}}^*) = \left(\frac{1}{r_0}, \frac{\alpha_R r_0}{(\alpha_R + \gamma_R)r_0 + \theta} \left(1 - \frac{1}{R_0}\right) \right) = \left(\frac{1}{r_0}, \frac{(r_0 - 1)\alpha_R - \alpha_S}{(\alpha_R + \gamma_R)r_0 + \theta} \right). \quad (3.19)$$

This generalizes well known results in the literature [19, 21, 23, 22, 27, 36, 40, 7, 4] to the case of our present 10-parameter model.

Remark 3.6. As already noted, for $\mathbf{a} \in \mathcal{A}_{\text{bio}}$ we have $-1 \leq \rho \equiv b/\beta_+ \leq a$, where the boundary case $\rho = -1$ is equivalent to $\alpha_2 = \gamma_2 = \theta_1 = 0$. In particular, it also requires $R_0 = 0$ and $\beta_1 = \beta_+$. Epidemiologically, this case is uninteresting and excluded in what follows. It will be discussed shortly in Appendix C.

Remark 3.7. Typically, vaccination diminishes the reproduction number R_0 as in Eq. (3.12), where $\partial R_0 / \partial \alpha_1 < 0$. This allows quite generally to determine lower bounds on vaccination rates to achieve herd immunity by requiring $R_0 \leq 1$, see e.g. the text book [30]. In contrast, here R_0 is independent of the I -linear vaccination rate θ_1 . In fact, θ_1 just diminishes I_{end}^* , see (3.19), and increases the recovered/immune fraction accordingly. But it doesn't influence the value of S_{end}^* , nor the disease free equilibrium, nor the endemic threshold $R_0 = 1 \Leftrightarrow r_0 = 1 + \alpha_1/\alpha_2$. In fact, as we will see in Corollary 4.3 in Section 4.2, by a scaling transformation $(S, I) \mapsto (\lambda S, I)$, $\lambda = \beta/(\beta + \theta)$, the SI(R)S model (3.5) with parameters in $\mathbf{a} \in \mathcal{A}_{\text{bio}}$ and $\theta > 0$ maps isomorphically to a system with appropriately transformed parameters $\mathbf{a}' \in \mathcal{A}_{\text{bio},0}$, i.e. $\theta' = 0$, while keeping R_0 invariant.

3.4. Transformation to the extended Hethcote model. In the third step, we now apply a rescaling transformation of $x - 1$ as first introduced in [33]. This will show that for $\rho > -1$ the system (3.13) is isomorphic to an extended Hethcote model as defined in Definition 2.1. Hence, to prove stability properties for the above SI(R)S model equilibria, we will just need to quote Hethcote's results in the formulation of Theorem 2.3.

Proposition 3.8 (Nill 2022 [33]). *Consider the system (3.13) on phase space \mathcal{P} and for parameters $\gamma > 0$, $\rho > -1$, $a \geq 0$ and $R_0 \in \mathbb{R}$. Define rescaled variables and parameters by*

$$\bar{x} - 1 = \frac{x - 1}{\rho + 1}, \quad \bar{y} = \frac{y}{\rho + 1}, \quad \bar{a} = \frac{a}{\rho + 1}, \quad \bar{R}_0 - 1 = \frac{R_0 - 1}{\rho + 1}, \quad \bar{\gamma} = (\rho + 1)\gamma. \quad (3.20)$$

Then $(\bar{x}, \bar{y}, \bar{\gamma}, \bar{a}, \bar{R}_0) \in \mathcal{P} \times \mathbb{R}_+^2 \times \mathbb{R}$ and the system (3.13) is isomorphic to the extended Hethcote model (2.2).

$$\bar{\gamma}^{-1} \dot{\bar{x}} = -\bar{x}\bar{y} + \bar{a}(\bar{R}_0 - \bar{x}), \quad \bar{\gamma}^{-1} \dot{\bar{y}} = (\bar{x} - 1)\bar{y}. \quad (3.21)$$

Proof. By straightforward calculation. \square

Since $\text{sign}(\bar{R}_0 - 1) = \text{sign}(R_0 - 1)$ and $\text{sign}(\bar{x} - 1) = \text{sign}(x - 1)$, the results of Theorem 2.3 now immediately translate to our original model. In doing so, due to the global boundedness property in Lemma 2.2, we no longer have to restrict ourselves to parameter constraints $\mathbf{a} \in \mathcal{A}_{\text{bio}}$ to guarantee forward invariance of physical triangles. The following more general definition of \mathcal{A}^* will do.

Theorem 3.9. Consider the SI(R)S model (3.5) on phase space \mathcal{P} (3.10) with parameters

$$\mathbf{a} \in \mathcal{A}^* := \mathcal{A} \cap \{\rho > -1\} \equiv \mathcal{A} \cap \{\theta_1/\beta_1 > -\alpha_2 - \gamma_2\}. \quad (3.22)$$

- i) For any initial condition $\mathbf{p}_0 = (S_0, I_0) \in \mathcal{P}$ the forward orbit $\phi_t(\mathbf{p}_0)$ exists for all $t > 0$. If $R_0 \leq 1$ or $I_0 = 0$, then $\lim_{t \rightarrow \infty} \phi_t(\mathbf{p}_0) = (S_{\text{dfe}}^*, I_{\text{dfe}}^*)$. Otherwise $\lim_{t \rightarrow \infty} \phi_t(\mathbf{p}_0) = (S_{\text{end}}^*, I_{\text{end}}^*)$.
- ii) If $\mathbf{a} \in \mathcal{A}^* \cap \{\alpha_i \geq 0\}$ then $(S_{\text{dfe}}^*, I_{\text{dfe}}^*) \in \mathcal{T}_{\text{phys}}$.
- iii) If $\mathbf{a} \in \mathcal{A}^* \cap \mathcal{A}_{\text{bio}}$ and $R_0 > 1$, then $(S_{\text{end}}^*, I_{\text{end}}^*) \in \mathcal{T}_{\text{phys}}$.

Proof. Under the transformations (3.12) the equivalence of systems (3.5) and (3.13) holds for all $\mathbf{a} \in \mathcal{A}$ and the equivalence of (3.13) and (3.21) holds for all $\rho > -1$ by Proposition 3.8. Part i) follows from Theorem 2.3, part ii) is obvious from $0 \leq \alpha_i/a \leq 1$ and part iii) follows from forward invariance of $\mathcal{T}_{\text{phys}}$ for $\mathbf{a} \in \mathcal{A}_{\text{bio}}$. \square

3.5. The quasi SIR limit. In the limit $\alpha_1 = \alpha_2 = 0$, $\gamma_i \geq 0$ and $\theta_1 \geq 0$ the system (3.5) becomes a combined SIR/SIS model with absence of immunity waning and just an I -linear vaccination rate. In this case, we get $a = aR_0 = 0$ and $\rho = -\gamma_1\beta_1/\beta_+ \in [-1, 0]$. For $\rho = -1$ this is the pure SIS model, $\gamma_2 = \theta_1 = 0$, and for $-1 < \rho \leq 0$ the transformation (3.20) reduces to the classic SIR model, Eq. (3.21) with $\bar{a} = \bar{a}\bar{R}_0 = 0$. Hence, this model also shows *herd immunity* and standard results for the classic SIR model [25, 20, 21, 23, 17, 37] now apply, see Appendix B for more details. Below let $W_+ : [-1/e, \infty) \rightarrow [-1, \infty)$ denote the upper branch of the so-called Lambert-W function [38, 8], i.e. the inverse of $[-1, \infty) \ni z \mapsto ze^z \in [-1/e, \infty)$.

Theorem 3.10. Consider the SI(R)S model (3.5) on the physical triangle $\mathcal{T}_{\text{phys}}$ (3.11) for $\alpha_i = 0$, $0 \leq \gamma_i \leq 1$ and $\theta_1 \geq 0$, excluding the case $(\gamma_1, \theta_1) = (1, 0)$ (pure SIS model). Assume $\beta_1 \equiv r_0 > 1$ and initial conditions $(S_0, I_0) \in \mathcal{T}_{\text{phys}}$, $I_0 > 0$ and $S_0 > \gamma_1/(\beta_1 + \theta_1)$.

- i) The limits $\lim_{t \rightarrow \pm\infty} (S(t), I(t)) = (S_{\pm\infty}, 0)$ exist and satisfy

$$\gamma_1/(\beta_1 + \theta_1) < S_\infty < r_0^{-1} < S_{-\infty} < \infty. \quad (3.23)$$

- ii) Put $\rho = -r_0\gamma_1/(\beta_1 + \theta_1)$ and $\bar{x}_{-\infty} = (r_0S_{-\infty} + \rho)/(\rho + 1)$. Then the following generalized final size formula holds

$$r_0S_\infty = -(\rho + 1)W_+(-\bar{x}_{-\infty}e^{\bar{x}_{-\infty}}) - \rho. \quad (3.24)$$

- iii) Assume $S_{-\infty} \leq 1$. As $t \rightarrow \infty$ a fraction $\theta_1/(\theta_1 + r_0\gamma_2) \Delta R$ of the total increase $\Delta R = S_{-\infty} - S_{+\infty}$ in the R -compartment is vaccinated.

Remark 3.11. Note that $\mathcal{T}_{\text{phys}}$ is not backward invariant, i.e. depending on (S_0, I_0) one may possibly get $S_{-\infty} > 1$. Also note that the case $\rho = 0 \Leftrightarrow \gamma_1 = 0$ reduces to the classic SIR model for variables (S, I) , equipped with an I -linear vaccination rate $\theta = \gamma\theta_1$. In this case, the final size (3.24) is independent of θ_1 . In fact, under the usual assumption $S_{-\infty} = 1$, it reduces to the standard final size formula in the classic SIR model, see e.g. [25, 20, 21, 22, 24, 32, 42]. Theorem 3.10 is proven in Appendix B, where also the cases $S_0 \leq \gamma_1/(\beta_1 + \theta_1)$ and $r_0 \leq 1$ are discussed.

In summary, in this section we have seen that, for parameters $\mathbf{a} \in \mathcal{A}^*$ (3.22), the SI(R)S model (3.5) is isomorphic to the extended Hethcote model (3.21), and that in the limit $\alpha_i = 0$ and $\rho + 1 \in (0, 1]$ we get a quasi-SIR model. The equivalences of these models have been obtained by applying three scaling transformations

$$S \rightarrow x = \beta_1 S, \quad x - 1 \rightarrow \bar{x} - 1 = (x - 1)/(\rho + 1), \quad I \rightarrow \bar{y} = \beta_+ I/(\rho + 1). \quad (3.25)$$

The next section studies these transformations and the relation between \mathcal{A}^* and \mathcal{A}_{bio} more systematically under group theoretical aspects.

4. SYMMETRIES AND PARAMETER REDUCTION

4.1. Basic concepts. For simplicity, unless stated explicitly, all maps in this section are supposed to be \mathcal{C}^∞ . A *model class* on some phase space \mathcal{P} is a family of dynamical systems $\dot{\mathbf{p}} = \mathbf{F}(\mathbf{p}, \mathbf{a})$, where $\mathbf{F}_{\mathbf{a}} := \mathbf{F}(\cdot, \mathbf{a}) \in \Omega^1(\mathcal{P})$ are vector fields on \mathcal{P} parametrized by a set of external parameters $\mathbf{a} \in \mathcal{A}$. Typically $\mathcal{A} \subset \mathbb{R}^m$ and for $\mathbf{a} = (a_1, \dots, a_m) \in \mathcal{A}$ we have $\mathbf{F} = \mathbf{F}_0 + \sum_{\nu=1}^m a_\nu \mathbf{F}_\nu$, where $\mathbf{F}_\nu \in \Omega^1(\mathcal{P})$, $1 \leq \nu \leq m$, are linearly independent as vector fields on \mathcal{P} . Given a model class \mathbf{F} , it is helpful to consider $\mathbf{a} \in \mathcal{A}$ also as dynamical variables obeying $\dot{\mathbf{a}} = \mathbf{0}$. Putting $\mathcal{M} := \mathcal{P} \times \mathcal{A}$, the associated vector field $\mathbf{F}_{\mathcal{M}} \in \Omega^1(\mathcal{M})$ is given by $\mathbf{F}_{\mathcal{M}}(\mathbf{p}, \mathbf{a}) := (\mathbf{F}(\mathbf{p}, \mathbf{a}), \mathbf{0}) \in T_{\mathbf{p}}\mathcal{P} \oplus \mathbf{0}_{T_{\mathbf{a}}\mathcal{A}} \subset T_{(\mathbf{p}, \mathbf{a})}\mathcal{M}$.

Two model classes $(\mathcal{P}, \mathcal{A}, \mathbf{F})$ and $(\tilde{\mathcal{P}}, \tilde{\mathcal{A}}, \tilde{\mathbf{F}})$ are said to be isomorphic, if there exists a diffeomorphism $\Phi : \mathcal{M} = \mathcal{P} \times \mathcal{A} \rightarrow \tilde{\mathcal{M}} = \tilde{\mathcal{P}} \times \tilde{\mathcal{A}}$ projecting to a diffeomorphism $\varphi : \mathcal{A} \rightarrow \tilde{\mathcal{A}}$ (i.e. $\pi_{\tilde{\mathcal{A}}} \circ \Phi = \varphi \circ \pi_{\mathcal{A}}$), such that $\Phi_* \mathbf{F}_{\mathcal{M}} = \tilde{\mathbf{F}}_{\tilde{\mathcal{M}}}$.²

Definition 4.1. A *parameter symmetry group* \mathcal{G} of a model class \mathbf{F} is a left \mathcal{G} -action on $\mathcal{M} = \mathcal{P} \times \mathcal{A}$ by diffeomorphisms $\psi_g : \mathcal{M} \rightarrow \mathcal{M}$, $g \in \mathcal{G}$, projecting to a \mathcal{G} -action on \mathcal{A} , denoted by $\mathcal{G} \times \mathcal{A} \ni (g, \mathbf{a}) \mapsto g \triangleright \mathbf{a} \in \mathcal{A}$, such that $(\psi_g)_* \mathbf{F}_{\mathcal{M}} = \mathbf{F}_{\mathcal{M}}$ for all $g \in \mathcal{G}$.

To understand this definition, let $\psi_g(\mathbf{p}, \mathbf{a}) = (\psi_g(\mathbf{p}, \mathbf{a}), g \triangleright \mathbf{a})$. Then $\mathbf{D}_{\mathcal{M}}\psi_g(\mathbf{p}, \mathbf{a}) \circ \mathbf{F}_{\mathcal{M}}(\mathbf{p}, \mathbf{a}) = (\mathbf{D}_{\mathcal{P}}\psi_g(\mathbf{p}, \mathbf{a}) \circ \mathbf{F}_{\mathbf{a}}(\mathbf{p}), \mathbf{0})$ and \mathcal{G} acts as a parameter symmetry group, iff for all $g \in \mathcal{G}$ and $\mathbf{a} \in \mathcal{A}$

$$\mathbf{D}_{\mathcal{P}}\psi_g(\mathbf{p}, \mathbf{a}) \circ \mathbf{F}_{\mathbf{a}}(\mathbf{p}) = \mathbf{F}_{g \triangleright \mathbf{a}}(\psi_g(\mathbf{p}, \mathbf{a})). \quad (4.1)$$

In other words, the equations of motion stay invariant under the transformation $\psi_g(\cdot, \mathbf{a}) : \mathcal{P} \rightarrow \mathcal{P}$, if we transform parameters $\mathbf{a} \in \mathcal{A}$ accordingly. Also note that in most common examples the \mathcal{G} -action on \mathcal{M} factorizes, i.e. ψ_g is independent of \mathbf{a} and $\psi_g(\mathbf{p}, \mathbf{a}) = (\psi_g(\mathbf{p}), g \triangleright \mathbf{a})$.

Given a parameter symmetry \mathcal{G} , the family of parametrized dynamical systems $\dot{\mathbf{p}} = \mathbf{F}_{\mathbf{a}}(\mathbf{p})$ falls into isomorphy classes labeled by the orbits $[\mathbf{a}] \equiv \mathcal{G} \triangleright \mathbf{a} \in \mathcal{A}/\mathcal{G}$. Under some technical assumptions, this allows to construct equivalent transformed systems with reduced parameter space \mathcal{A}/\mathcal{G} . Equivalently, one may “turn parameter space north” by choosing a suitable section $\sigma : \mathcal{A}/\mathcal{G} \rightarrow \mathcal{A}$ and solving the system for $\mathbf{a} \in \sigma(\mathcal{A}/\mathcal{G})$. A simple example would be $\mathcal{P} = \mathbb{R}^n$, $\dot{\mathbf{p}} = \mathbf{A}\mathbf{p}$, $\mathbf{A} \in \mathcal{A}$ the space of symmetric $n \times n$ -matrices, and $\mathcal{G} = SO(n)$. In this case parameter reduction means diagonalizing \mathbf{A} . Another example would be the dynamics of mutually interacting classical particles in a constant external (say magnetic) field $\mathbf{B} = (B_1, B_2, B_3)$. In this case $\mathcal{A} = \mathbb{R}^3 \setminus \{\mathbf{0}\}$ and $\mathcal{G} = SO(3)$ and “turning parameter space north” means putting without loss $g \triangleright \mathbf{B} = (0, 0, |\mathbf{B}|)$. As a third example, also quasimonomial transformations to canonical forms for generalized Lotka-Volterra (GLV) systems can be understood in this way, see [5, 18].

4.2. The SI(R)S symmetry. We now apply this formalism to the 6-parameter SI(R)S model (3.5) with phase space $\mathcal{P} \cong \mathbb{R} \times \mathbb{R}_{\geq 0}$ and parameter space $\hat{\mathcal{A}} := \{(\gamma, \mathbf{a}) \in \mathbb{R}_+ \times \mathcal{A}\}$, where \mathcal{A} is given in Eq. (3.7). Following the three scaling transformations in (3.25), denote \mathcal{G} the multiplicative abelian group

$$\mathcal{G} = G_S \times G_I \times G_X = \mathbb{R}_+^3.$$

Elements of \mathcal{G} are denoted $g = (\lambda, \eta, \xi) \in \mathbb{R}_+^3$. By convenient notation, we identify $\lambda \equiv (\lambda, 1, 1) \in G_S \subset \mathcal{G}$ etc. Put $\mathcal{M} = \mathcal{P} \times \hat{\mathcal{A}}$ and $\mathcal{N} = \mathcal{P} \times \hat{\mathcal{B}}$, where $\hat{\mathcal{B}} = \mathbb{R}_+ \times \mathcal{B}$ and where $\mathcal{B} = (\mathbb{R}_+ \times \mathbb{R}^2) \times \mathbb{R}_+^2$ has been defined in Lemma 3.2. To define the action $\psi_g : \mathcal{M} \rightarrow \mathcal{M}$ in the sense of Definition 4.1 we first transform to an isomorphic model class by applying the diffeomorphism

$$\Phi : \mathcal{M} \ni (S, I, \gamma, \mathbf{a}) \mapsto (u := \beta_1 S - 1, I, \gamma, f(\mathbf{a})) \in \mathcal{N}, \quad (4.2)$$

where $f : \mathcal{A} \rightarrow \mathcal{B}$ has been defined in Lemma 3.2. The Φ -transformed dynamical system with phase space $(u, I) \in \mathcal{P}$ and parameters $(\gamma, a, R_0, b, \beta_1, \beta_+) \in \hat{\mathcal{B}}$ is then obtained by replacing

²Here, $\pi_{\mathcal{A}} : \mathcal{M} \rightarrow \mathcal{A}$ denotes the canonical projection and, for diffeomorphisms $\psi : \mathcal{M} \rightarrow \mathcal{N}$, $\psi_* : \Omega^1(\mathcal{M}) \rightarrow \Omega^1(\mathcal{N})$ denotes the “push forward” on vector fields, $\psi_* \mathbf{F} := \mathbf{D}\psi \circ \mathbf{F} \circ \psi^{-1}$.

$y = \beta_+ I$ and $x = u + 1$ in (3.13).

$$\begin{aligned}\gamma^{-1}\dot{u} &= -\beta_+ u I - au - (b + \beta_+)I + a(R_0 - 1) \\ \gamma^{-1}\dot{I} &= uI.\end{aligned}\tag{4.3}$$

Hence, using $(a, R_0 - 1, b + \beta_+, \beta_1, \beta_+)$ as adapted coordinates in \mathcal{B} , the scaling symmetry \mathcal{G} operates linearly and factorizing on \mathcal{N} .

Theorem 4.2. *For $g = (\lambda, \eta, \xi) \in \mathcal{G}$ and $\mathbf{b} := (a, R_0 - 1, b + \beta_+, \beta_1, \beta_+) \in \mathcal{B}$ let the \mathcal{G} -action $\triangleright_{\mathcal{B}} : \mathcal{G} \times \mathcal{B} \rightarrow \mathcal{B}$ be given by*

$$g \triangleright_{\mathcal{B}} \mathbf{b} := \left(\xi a, \xi(R_0 - 1), \eta^{-1} \xi^2 (b + \beta_+), \lambda^{-1} \xi \beta_1, \eta^{-1} \xi \beta_+ \right)\tag{4.4}$$

and put $\mathbf{L}_g : \mathcal{N} \rightarrow \mathcal{N}$,

$$\mathbf{L}_g(u, I, \gamma, \mathbf{b}) := \left(\xi u, \eta I, \xi^{-1} \gamma, g \triangleright_{\mathcal{B}} \mathbf{b} \right).\tag{4.5}$$

i) Then \mathbf{L}_g provides a parameter symmetry of the model class (4.3).

ii) Put $\psi_g := \Phi^{-1} \circ \mathbf{L}_g \circ \Phi : \mathcal{M} \rightarrow \mathcal{M}$. Then ψ_g provides a parameter symmetry of the SI(R)S model (3.5) satisfying

$$\psi_g(S, I, \gamma, \mathbf{a}) = \left(\lambda S + \lambda \beta_1^{-1} (\xi^{-1} - 1), \eta I, \xi^{-1} \gamma, g \triangleright_{\mathcal{A}} \mathbf{a} \right).\tag{4.6}$$

Here the \mathcal{G} -action $\triangleright_{\mathcal{A}} : \mathcal{G} \times \mathcal{A} \rightarrow \mathcal{A}$ is given by $g \triangleright_{\mathcal{A}} := f^{-1} \circ g \triangleright_{\mathcal{B}} \circ f$.

iii) For $\mathbf{a} = (\alpha_1, \alpha_2, \gamma_1, \gamma_2, \beta_1, \beta_+)^T \in \mathcal{A}$ and $\mathbf{Ca} := (a, -a, -a - \beta_+, a + \beta_+ - \beta_1, 0, 0)^T \in \mathbb{R}^6$, $a = \alpha_1 + \alpha_2$, we have

$$g \triangleright_{\mathcal{A}} \mathbf{a} = \mathbf{D}_S(\lambda) \mathbf{D}_I(\eta^{-1}) \left(\xi \mathbf{1} + \frac{\xi - 1}{\beta_1} \mathbf{C} \right) \mathbf{a},\tag{4.7}$$

$$\mathbf{D}_S(\lambda) := \begin{pmatrix} 1 & 1 - \lambda & 0 & 0 & 0 & 0 \\ 0 & \lambda & 0 & 0 & 0 & 0 \\ 0 & 0 & \lambda & 0 & 0 & 0 \\ 0 & 0 & 1 - \lambda & 1 & 0 & 0 \\ 0 & 0 & 0 & 0 & \lambda^{-1} & 0 \\ 0 & 0 & 0 & 0 & 1 - \lambda^{-1} & 1 \end{pmatrix},\tag{4.8}$$

$$\mathbf{D}_I(\eta) := \begin{pmatrix} 1 & 0 & 0 & 0 & 0 & 0 \\ 0 & 1 & 0 & 0 & 0 & 0 \\ 0 & 1 - \eta & \eta & 0 & 0 & 0 \\ 0 & \eta - 1 & 1 - \eta & 1 & 0 & 0 \\ 0 & 0 & 0 & 0 & 1 & 0 \\ 0 & 0 & 0 & 0 & \eta - 1 & \eta \end{pmatrix}.\tag{4.9}$$

Proof. Parts i) and ii) are obvious. (Note that invariance under the action of $\lambda \in G_S$ in (4.4) follows trivially, since the dynamics in (4.3) is independent of β_1 .) To prove part iii), since we already know that by construction $\triangleright_{\mathcal{A}}$ provides a \mathcal{G} -action on \mathcal{A} , it suffices to prove the formulas (4.7)-(4.9) separately for $g = \lambda$, $g = \eta$ and $g = \xi$. This is a straight forward calculation, which is left to the reader. \square

As a particular consequence we now get, that SI(R)S models with an I -linear vaccination θ always map isomorphically to models with a constant vaccination, $\theta' = 0$.

Corollary 4.3. *For $\mathbf{a} = (\alpha_1, \alpha_2, \gamma_1, \gamma_2, \beta_1, \beta_+) \in \mathcal{A}_{\text{bio}}$ put $\lambda := \beta_1 / \beta_+ \leq 1$ and $\mathbf{a}' := \mathbf{D}_S(\lambda) \mathbf{a}$. Then*

$$\mathbf{a}' = (a - \lambda \alpha_2, \lambda \alpha_2, \lambda \gamma_1, 1 - \lambda \gamma_1, \beta_+, 0) \in \mathcal{A}_{\text{bio},0}\tag{4.10}$$

and the scaling transformation $(S, I) \mapsto (\lambda S, I)$ maps the SI(R)S model with parameters \mathbf{a} isomorphically to the model with parameters \mathbf{a}' while keeping $R'_0 = R_0$. \square

Remark 4.4. While in general $\psi_g(\cdot, \gamma, \mathbf{a})$ will not preserve physical triangles and $g \triangleright_{\mathcal{A}}$ will not preserve \mathcal{A}_{bio} , $\lambda \leq 1$ in Corollary 4.3 assures that both statements hold for $g = \lambda$.

The fact that the \mathcal{G} -action does not preserve the physical triangle also implies that for $\mathbf{a} \in \mathcal{A}^* \setminus \mathcal{A}_{\text{bio}}$ disease free or endemic equilibria may well lie outside $\mathcal{T}_{\text{phys}}$.

Corollary 4.5. *Let $(S^*(\mathbf{a}), I^*(\mathbf{a}))$ be a disease free or endemic equilibrium, (3.18)-(3.19). Then*

$$(S^*(g \triangleright_{\mathcal{A}} \mathbf{a}), I^*(g \triangleright_{\mathcal{A}} \mathbf{a})) = (\lambda S^*(\mathbf{a}) + \lambda \beta^{-1}(\xi^{-1} - 1), \eta I^*(\mathbf{a})).$$

In particular, for all $\mathbf{a} \in \mathcal{A}^$ there exists $\tilde{\mathbf{a}} = g \triangleright_{\mathcal{A}} \mathbf{a} \in \mathcal{A}^*$ ³ such that $S^*(\tilde{\mathbf{a}}) + I^*(\tilde{\mathbf{a}}) > 1$. \square*

4.3. Parameter reduction. This subsection gives a group theoretical approach to the parameter reduction in Proposition 3.8 and Theorem 3.9. First we look at the parameter subspace $\mathcal{A}^* \subset \mathcal{A}$ introduced in Theorem 3.9.

Lemma 4.6. *Let $\mathcal{A}^* \subset \mathcal{A}$ be given by Eq. (3.22). Then $\mathcal{G} \triangleright_{\mathcal{A}} \mathcal{A}^* = \mathcal{A}^*$ and $\mathcal{A}^* \cong \mathcal{A}^*/\mathcal{G} \times \mathcal{G}$ as trivial principal \mathcal{G} -bundles. A choice of trivialization is given by*

$$\Gamma_{\mathcal{A}} : \mathcal{A}^* \ni \mathbf{a} \mapsto (\bar{a}, \bar{R}_0) \times \left(\frac{1}{\bar{\beta}_1}, \frac{1}{\bar{\beta}_+}, \rho + 1 \right) \in (\mathbb{R}_+ \times \mathbb{R}) \times \mathbb{R}_+^3 \cong \mathcal{A}^*/\mathcal{G} \times \mathcal{G}, \quad (4.11)$$

where $\bar{\beta}_1 = \beta_1/(\rho + 1)$, $\bar{\beta}_+ = \beta_+/(\rho + 1)$ and where (\bar{a}, \bar{R}_0) have been defined in (3.20).

Proof. We equivalently prove the statements with $(\mathcal{A}^*, \triangleright_{\mathcal{A}}, \Gamma_{\mathcal{A}})$ replaced by $(\mathcal{B}^*, \triangleright_{\mathcal{B}}, \Gamma_{\mathcal{B}})$, where

$$\mathcal{B}^* := f(\mathcal{A}^*) = \{(a, R_0, b, \beta_1, \beta_+) \in \mathcal{B} \mid b + \beta_+ > 0\}$$

and where $\Gamma_{\mathcal{B}} := \Gamma_{\mathcal{A}} \circ f^{-1}$. Using $(\rho + 1)\beta_+ = b + \beta_+$, Lemma 3.2 and Eq. (3.20), one immediately checks that $\Gamma_{\mathcal{B}} : \mathcal{B}^* \rightarrow (\mathbb{R}_+ \times \mathbb{R}) \times \mathbb{R}_+^3$ is a diffeomorphism with $\Gamma_{\mathcal{B}}^{-1}$ given by

$$(a, R_0 - 1, b + \beta_+, \beta_1, \beta_+) = (\rho + 1) (\bar{a}, \bar{R}_0 - 1, (\rho + 1)\bar{\beta}_+, \bar{\beta}_1, \bar{\beta}_+). \quad (4.12)$$

Moreover, by (4.4), $\Gamma_{\mathcal{B}} \circ g \triangleright_{\mathcal{B}} = (\text{id}_{\mathbb{R}_+ \times \mathbb{R}} \times \ell_g) \circ \Gamma_{\mathcal{B}}$, where $\ell_g : \mathcal{G} \rightarrow \mathcal{G}$ denotes left multiplication by g . Hence $\mathcal{B}^* \cong \mathcal{B}^*/\mathcal{G} \times \mathcal{G}$ as principal \mathcal{G} -bundles. \square

In the obvious way, this structure also lifts to $\hat{\mathcal{A}}^* := \mathbb{R}_+ \times \mathcal{A}^*$ with \mathcal{G} -action $g \triangleright_{\hat{\mathcal{A}}}(\gamma, \mathbf{a}) := (\xi^{-1}\gamma, g \triangleright_{\mathcal{A}} \mathbf{a})$ and trivialization

$$\Gamma_{\hat{\mathcal{A}}} : \hat{\mathcal{A}}^* \ni (\gamma, \mathbf{a}) \mapsto (\bar{\gamma}, \Gamma_{\mathcal{A}}(\mathbf{a})) \in \hat{\mathcal{A}}^*/\mathcal{G} \times \mathcal{G},$$

where $\bar{\gamma} := (\rho + 1)\gamma$, see (3.20).

Given such a setting, parameter reduction as in (3.21) is obtained in general by passing from a model class $(\mathcal{P}, \mathcal{A}, \mathbf{F})$ to an isomorphic model class $(\mathcal{P}, \mathcal{A}/\mathcal{G}, \bar{\mathbf{F}})$ as follows. Any trivialization $\mathcal{A} \cong \mathcal{A}/\mathcal{G} \times \mathcal{G}$ is of the form $\Gamma_{\mathcal{A}}(\mathbf{a}) = ([\mathbf{a}], h(\mathbf{a}))$, where $h : \mathcal{A} \rightarrow \mathcal{G}$ satisfies $h(g \triangleright_{\mathcal{A}} \mathbf{a}) = gh(\mathbf{a})$. Putting again $\mathcal{M} = \mathcal{P} \times \mathcal{A}$ and denoting $\bar{\mathcal{M}} := \mathcal{P} \times (\mathcal{A}/\mathcal{G} \times \mathcal{G})$ there is a naturally induced diffeomorphism $\bar{\Phi} : \mathcal{M} \rightarrow \bar{\mathcal{M}}$,

$$\bar{\Phi}(\mathbf{p}, \mathbf{a}) := \left(\psi_{h(\mathbf{a})^{-1}}(\mathbf{p}, \mathbf{a}), [\mathbf{a}], h(\mathbf{a}) \right).$$

The $\bar{\Phi}$ -transported \mathcal{G} -action, $\bar{\psi}_g := \bar{\Phi} \circ \psi_g \circ \bar{\Phi}^{-1} : \bar{\mathcal{M}} \rightarrow \bar{\mathcal{M}}$, is given by $\bar{\psi}_g(\mathbf{p}, [\mathbf{a}], h) = (\mathbf{p}, [\mathbf{a}], gh)$. Since $(\psi_g)_* \mathbf{F}_{\mathcal{M}} = \mathbf{F}_{\mathcal{M}}$, the transported vector field, $\bar{\mathbf{F}}_{\bar{\mathcal{M}}} := \bar{\Phi}_* \mathbf{F}_{\mathcal{M}}$, is invariant under the transported \mathcal{G} -action, $(\bar{\psi}_g)_* \bar{\mathbf{F}}_{\bar{\mathcal{M}}} = \bar{\mathbf{F}}_{\bar{\mathcal{M}}}$, and hence, using (4.1) and $D_{\mathcal{P}} \bar{\psi}_g = \mathbb{1}$, $\bar{\mathbf{F}}_{([\mathbf{a}], h)} = \bar{\mathbf{F}}_{([\mathbf{a}], gh)}$ for all $g \in \mathcal{G}$. Thus, $\bar{\mathbf{F}}$ only depends on $(\mathbf{p}, [\mathbf{a}]) \in \mathcal{P} \times \hat{\mathcal{A}}/\mathcal{G}$.

In our case we have to replace \mathcal{A} by $\hat{\mathcal{A}}^*$ and put $h(\gamma, \mathbf{a}) = (\bar{\beta}_1^{-1}, \bar{\beta}_+^{-1}, \rho + 1)$. Then

$$\bar{\Phi}(\mathbf{p}, \gamma, \mathbf{a}) = (\bar{x}, \bar{y}) \times (\bar{\gamma}, \bar{a}, \bar{R}_0) \times (\bar{\beta}_1^{-1}, \bar{\beta}_+^{-1}, \rho + 1)$$

and the $\bar{\Phi}$ -transported vector field $\bar{\mathbf{F}}$ is given by (3.21) and independent of $(\bar{\beta}_1, \bar{\beta}_+, \rho + 1)$.

³Here we anticipate $\mathcal{G} \triangleright_{\mathcal{A}} \mathcal{A}^* = \mathcal{A}^*$, see Lemma 4.6.

Remark 4.7. Note that, similarly as in (3.14), the \mathcal{G} -fiber coordinates $(\bar{\beta}_1, \bar{\beta}_+, \rho + 1)$ are again precisely determined by the images of physical triangles in (\bar{x}, \bar{y}) -space.

$$\mathcal{T}_{\text{phys}}(\bar{\beta}_1, \bar{\beta}_+, \rho + 1) := \{\bar{\mathbf{p}} = (\bar{x}, \bar{y}) \in \mathbb{R} \times \mathbb{R}_{\geq 0} \mid 0 \leq \frac{1}{\bar{\beta}_1}(\bar{x} - \frac{\rho}{\rho + 1}) + \frac{\bar{y}}{\bar{\beta}_+} \leq 1\}.$$

Geometrically these are the triangles with corners $\bar{\mathbf{p}}_{\triangleleft} = (\rho/(\rho + 1), 0)$, $\bar{\mathbf{p}}_{\triangle} = (\rho/(\rho + 1) + \bar{\beta}_1, 0)$ and $\bar{\mathbf{p}}_{\triangle} = (\rho/(\rho + 1), \bar{\beta}_+)$. One may now proceed as in Definition 3.3 and call $(\bar{\beta}_1, \bar{\beta}_+, \rho + 1)$ (or the triangle $\mathcal{T}_{\text{phys}}(\bar{\beta}_1, \bar{\beta}_+, \rho + 1)$) *admissible* with respect to (\bar{a}, \bar{R}_0) , if $\Gamma_{\mathcal{A}}^{-1}(\bar{a}, \bar{R}_0, \bar{\beta}_1, \bar{\beta}_+, \rho + 1) \in \mathcal{A}_{\text{bio}}$. As in Corollary 3.4, this implies, that for given (\bar{a}, \bar{R}_0) admissible triangles are always forward invariant w.r.t. the dynamics (3.21). Using Lemma 3.2, it is straight forward to derive conditions for admissibility of $(\bar{\beta}_1, \bar{\beta}_+, \rho + 1)$. Since formulas don't look enlightening, this is left as an exercise to the reader.

4.4. Fixing the gauge. In physics terminology, “fixing the gauge” means choosing a representative from an equivalence class. In our case this may be rephrased by “turning parameter space north”, i.e. choosing a section $\sigma : \mathcal{A}^*/\mathcal{G} \rightarrow \mathcal{A}^*$. We now show that for $\mathbf{a} \in \mathcal{A}^*$ a representative of the equivalence class $[\mathbf{a}] \in \mathcal{A}^*/\mathcal{G}$ can always be chosen in $\mathcal{A}_{\text{bio},0} := \mathcal{A}_{\text{bio}} \cap \{\theta_1 = 0\}$.

Proposition 4.8. *Let $R_0 = \beta_1 \alpha_2 / (\alpha_1 + \alpha_2)$ be the vaccination reduced reproduction number as in (3.12) and use $(\bar{a}, \bar{R}_0) \in \mathbb{R}_+ \times \mathbb{R}$ as global coordinates in $\mathcal{A}^*/\mathcal{G}$, see Proposition 3.8 and Eq. (3.21). Pick $c > \max\{0, \bar{R}_0, \bar{a}\bar{R}_0\}$ arbitrary.*

i) *An element $\mathbf{a} \in \mathcal{A}^*$ in the equivalence class (\bar{a}, \bar{R}_0) exists uniquely under the conditions*

- a) *If $\bar{R}_0 > 0$: $\theta_1 = 0, \quad \beta_1 = c, \quad \alpha_2 = \gamma_1.$*
- b) *If $\bar{R}_0 \leq 0$: $\theta_1 = 0, \quad \beta_1 = c, \quad \alpha_2 = 0.$*

ii) *Under these conditions $\mathbf{a} \in \mathcal{A}_{\text{bio},0} \setminus \{\rho = -1\}$ and therefore $\mathcal{A}^* = \mathcal{G} \triangleright_{\mathcal{A}} (\mathcal{A}_{\text{bio},0} \setminus \{\rho = -1\})$.*

Proof. In both cases put $\beta_+ = \beta_1 = c \iff \theta_1 = 0$. In case a) the condition $\alpha_2 = \gamma_1$ implies $\rho = 0$ by Eq. (3.12) and hence $a = \bar{a} > 0$ and $R_0 = \bar{R}_0 > 0$ by Eq. (3.20). Next, again by Eq. (3.12), $0 < \gamma_1 = \alpha_2 = aR_0/c \leq \min\{1, a\}$, $\gamma_2 = 1 - \gamma_1$ and $\alpha_1 = a - \alpha_2$. This proves that \mathbf{a} exists uniquely and $\mathbf{a} \in \mathcal{A}_{\text{bio},0} \setminus \{\rho = -1\}$.

In case b) $\alpha_2 = 0$ implies $R_0 = 0$ and therefore, by Eq. (3.20), $\rho + 1 = (1 - \bar{R}_0)^{-1} \in (0, 1]$. Hence, $\alpha_1 = a = (\rho + 1)\bar{a} > 0$ and from $\beta_1 = \beta_+ = c$ and (3.12) we conclude $\gamma_1 = \alpha_2 - \rho = -\rho$ and $\gamma_2 = \rho + 1$. So, also here \mathbf{a} exists uniquely and $\mathbf{a} \in \mathcal{A}_{\text{bio},0} \setminus \{\rho = -1\}$. \square

Remark 4.9. If in Proposition 4.8 $c(\bar{a}, \bar{R}_0) > \max\{0, \bar{a}\bar{R}_0, \bar{R}_0\}$ is chosen as a smooth function, then the section $\sigma : \mathcal{A}^*/\mathcal{G} \rightarrow \mathcal{A}_{\text{bio},0}$ defined by the above conditions is C^∞ for $\bar{R}_0 \neq 0$, but only continuous at $\bar{R}_0 = 0$.

Remark 4.10. Proposition 4.8 may be reformulated by stating that $(\bar{\beta}_1, \bar{\beta}_+, \rho + 1) \in \mathbb{R}_+^3$ are admissible w.r.t. (\bar{a}, \bar{R}_0) , if $\bar{R}_0 > 0$, $\rho = 0$ and $\bar{\beta}_1 = \bar{\beta}_+ = c$, or if $\bar{R}_0 \leq 0$, $\rho + 1 = (1 - \bar{R}_0)^{-1}$ and $\bar{\beta}_1 = \bar{\beta}_+ = c(1 - \bar{R}_0)$, where $c > \max\{0, \bar{R}_0, \bar{a}\bar{R}_0\}$.

5. SUMMARY AND OUTLOOK

In summary, in this paper I have demonstrated that symmetry concepts in parametrized dynamical systems may help to reduce the number of external parameters by a suitable normalization prescription. If the symmetry group \mathcal{G} is an n -dimensional Lie Group and the \mathcal{G} -action on parameter space \mathcal{A} admits a trivialization, $\mathcal{A} \cong \mathcal{A}/\mathcal{G} \times \mathcal{G}$ as principal \mathcal{G} -bundles, then there is a natural diffeomorphism mapping the original system with parameters in \mathcal{A} to an equivalent system with parameter space $\mathcal{A}/\mathcal{G} \times \mathcal{G}$. For the transformed system, invariance under \mathcal{G} simply means that the dynamics only depends on \mathcal{A}/\mathcal{G} , thus reducing the number of essential parameters by n . If, as a principal \mathcal{G} -bundle, \mathcal{A} is only locally trivial, this procedure still works by covering \mathcal{A} with suitable charts $U \cong U/\mathcal{G} \times \mathcal{G}$. In an obvious way, this algorithm would also generalize to the case $\mathcal{A} \cong \mathcal{A}/\mathcal{G} \times \mathcal{V}$, where \mathcal{G} acts transitively (but possibly not freely) on the fiber \mathcal{V} .

This strategy applies to the fractional dynamics of a general class of epidemic SI(R)S models, with standard incidence and up to ten parameters, including immunity waning, two recovery flows and constant and I -linear vaccination rates. Omitting four redundant demographic parameters, this model admits $\mathcal{G} \cong \mathbb{R}_+^3$ as a symmetry group, acting on phase space by rescaling S, I and $x - 1$, respectively, x being the replacement number. Thus, identifying the total waiting time γ^{-1} in I as a pure time scale, we get a normalized version with essentially just 2 independent parameters, which turns out to be a marginally extended version of Hethcote's classic endemic model first presented in 1973.

To apply this framework, we had to extend phase space \mathcal{P} by allowing $(S, I) \in \mathbb{R} \times \mathbb{R}_+$, while keeping $R = 1 - S - I$. At the same time, the range of parameters had to be enlarged to \mathcal{A}^* , including possibly non-physical negative values. As it turned out, apart from an uninteresting boundary case⁴, \mathcal{A}^* coincides with the \mathcal{G} -orbit of the epidemiologically admissible parameter subset \mathcal{A}_{bio} . Thus, by symmetry arguments, proving endemic bifurcation and stability results in any of these models becomes needless, it's all contained in Hethcote's original work.

Of course, one has to be aware that, for $\mathbf{a} \in \mathcal{A}^* \setminus \mathcal{A}_{\text{bio}}$, equilibrium states may possibly lie outside the physical triangle $\mathcal{T}_{\text{phys}} = \{(S, I, R) \in \mathbb{R}_{\geq 0}^3 \mid S + I + R = 1\}$. As shown in Appendix A, although not addressed by the authors, such a scenario may indeed show up in the Korobeinikov/Wake type of SIRS model [27].

As a special consequence, we have also seen that I -linear vaccination may always be “scaled to zero”, i.e. without leaving \mathcal{A}_{bio} or $\mathcal{T}_{\text{phys}}$ there always exists a \mathcal{G} -equivalent system with $\theta = 0$. In particular, since the threshold for endemic bifurcation, $R_0 = 1$, must be \mathcal{G} -invariant, I -linear vaccination doesn't influence this threshold. This is in contrast to a constant vaccination rate, which is well known to reduce the reproduction number [13].

Finally, the symmetry also covers the “quasi-SIR limit”, defined by absence of constant vaccination and immunity waning. In this limit, we either have a pure SIS model or the model becomes \mathcal{G} -equivalent to a pure classic SIR model. Thus, the Hamiltonian formulation for these models carries over to the “quasi-SIR” case, see Appendix B.

As an outlook let me mention, that the methods of this paper generalize to SI(R)S-type models with incomplete immunity, i.e. where also the R -compartment becomes susceptible. When including a social behavior term, the symmetry enlarges to $\mathcal{G} = G_S \times G_I \times G_X$, where now G_S becomes non-abelian and is defined to be the sub-group of real 2×2 -matrices with positive determinant, acting on $(S, R) \in \mathbb{R}^2$ and leaving $S + R$ invariant [35]. In combination with redundancy results for demographic parameters in [34], this covers a whole class of homogeneous SI(R)S-type models with time dependent total population, excess mortality and possibly also backward bifurcation [6, 31, 9, 15, 16, 28, 29, 41, 11, 1, 3, 2].

APPENDIX A. THE KOROBAINIKOV-WAKE SIRS MODEL

This appendix shortly describes, within the present framework, the type of SIRS model introduced by Korobeinikov and Wake in [27]. It will turn out that in a certain range of seemingly admissible parameters this model shows non-physical disease free and endemic equilibrium states satisfying $S_{\text{dfe}}^* > 1$ and $S_{\text{end}}^* > 1$.

The SIRS model in [27] introduces compartment dependent mortality rates (μ_S, μ_I, μ_R) , keeping μ_S and μ_I time independent and postulating a time dependent $\mu_R(t)$, fine-tuned such that the total population N stays constant. In this way, using the terminology of Fig. 3, the dynamics of fractional variables becomes

$$\dot{S} = -(\beta + \theta)SI + q_S\nu(S + I + R - p_I I) - (\alpha_S + \mu_S)S + \gamma_S I + \alpha_R R, \quad (\text{A.1})$$

$$\dot{I} = \beta SI - \tilde{\gamma} I, \quad \tilde{\gamma} := \gamma_S + \gamma_R + \mu_I - p_I \nu, \quad (\text{A.2})$$

$$\dot{R} = -\dot{S} - \dot{I}. \quad (\text{A.3})$$

⁴see Appendix C

Hence, also in this model demographic parameters become redundant, but the formulas (3.4) have to be replaced by

$$\begin{aligned}\tilde{\alpha}_S &:= \alpha_S + \mu_S - q_S\nu, & \tilde{\gamma}_S &:= \gamma_S + q_S(1 - p_I)\nu, \\ \tilde{\alpha}_R &:= \alpha_R + q_S\nu, & \tilde{\gamma}_R &:= \tilde{\gamma} - \tilde{\gamma}_S = \gamma_R + \mu_I - (q_R p_I + q_S)\nu.\end{aligned}\quad (\text{A.4})$$

In [27] the authors considered their SIRS model without vaccination and with temporal immunity after recovery by putting $q_S = 1$ and $\theta = q_R = \alpha_S = \gamma_S = 0$. So, replacing $R = 1 - S - I$, this model stays in the setting of Section 3.2, with $\tilde{\mathbf{a}} \in \mathcal{A}_{\text{bio}}$, provided the birth rate ν is small enough, $\nu \leq \min\{\mu_S, \gamma_R + \mu_I\}$. However, let's now consider the case $\alpha_R + \mu_S > 0$ and

$$0 \leq \mu_S < \nu < (\gamma_R + \mu_I)/p_I.$$

Then $\tilde{\alpha}_S < 0$, $\tilde{\gamma} > 0$, $\tilde{\alpha}_S + \tilde{\alpha}_R > 0$ and, by (3.12),

$$\tilde{\rho} = (\tilde{\alpha}_R - \tilde{\gamma}_S)\beta/\tilde{\gamma}^2 = (\alpha_R + p_I\nu)\beta/\tilde{\gamma}^2 \geq 0.$$

Hence, we are still in the setting of Section 3.2, but this time with $\tilde{\mathbf{a}} \in \mathcal{A}^* \setminus \mathcal{A}_{\text{bio}}$, due to the negative “would-be” vaccination rate $\tilde{\alpha}_S$. In particular, irrespective of the value of R_0 , under these conditions the disease free equilibrium in (3.18) will always be non-physical

$$S_{\text{dfe}}^* = \frac{\tilde{\alpha}_R}{\tilde{\alpha}_R + \tilde{\alpha}_S} = \frac{\alpha_R + \nu}{\alpha_R + \mu_S} > 1.$$

By the same effect, putting $\tilde{r}_0 := \beta/\tilde{\gamma}$, the “would-be vaccination reduced” reproduction number actually satisfies $R_0 = \tilde{r}_0 S_{\text{dfe}}^* > \tilde{r}_0$, see Eq. (3.12). Hence, we could choose $0 < \beta < \tilde{\gamma}$ such that

$$\frac{\alpha_R + \mu_S}{\alpha_R + \nu} < \tilde{r}_0 < 1$$

to get $R_0 > 1$ and therefore, by Theorem 3.9 and Eq. (3.19), in this scenario we would have a globally stable endemic equilibrium as in [27], which, however, would also be non-physical,

$$S_{\text{end}}^* = 1/\tilde{r}_0 > 1.$$

Apparently, these scenarios have not been addressed by the authors in [27].

APPENDIX B. THE QUASI-SIR HAMILTONIAN

To be self contained, this Appendix shortly studies the quasi-SIR limit, $\alpha_1 = \alpha_2 = 0$ and $\theta_1 \geq 0$, of the SI(R)S model (3.5)-(3.6). This also leads to a proof of Theorem 3.10. Again, put $x = \beta_1 S$ and $y = \beta_+ y$ as in (3.12) to obtain

$$\begin{aligned}\gamma^{-1}\dot{x} &= -(x + \rho)y, & \rho &= -\gamma_1\beta_1/\beta_+ \in [-1, 0] \\ \gamma^{-1}\dot{y} &= (x - 1)y.\end{aligned}\quad (\text{B.1})$$

This system factorizes, so we may choose $\omega = (x + \rho)^{-1}y^{-1}$ as integrating factor, such that $\omega[(x - 1)ydx + (x + \rho)ydy] = dH$, with Hamiltonian H and symplectic form ω given by

$$H = y + x - (\rho + 1)\log|x + \rho|, \quad (\text{B.2})$$

$$\omega = -(\gamma(x + \rho)y)^{-1}dx \wedge dy \quad (\text{B.3})$$

Note that $\rho = -1$ (i.e. $\gamma_1 = 1$, $\gamma_2 = 0$ and $\theta = 0$) simplifies to the classic SIS model, $H = x + y$, and $\rho = 0$ reproduces the classic SIR model Hamiltonian [14]. For $0 \geq \rho > -1$ we can apply the transformation (3.20) to end up with the system (3.21) with $\bar{a} = 0$, i.e. the classic SIR model in the variables $\bar{x} = (x + \rho)/(\rho + 1)$ and $\bar{y} = y/(\rho + 1)$. In all cases, phase space trajectories are lines of constant “energy”, $H = \text{const.}$. Hence, they look like in the classic SIR model, extended to negative values, $\rho/(1 + \rho) \leq \bar{x} < 0$. So, we have a continuum of disease free equilibria, which are neutrally stable for $x < 1$ ($\Leftrightarrow \bar{x} < 1$) and unstable for $x > 1$ ($\Leftrightarrow \bar{x} > 1$). Also, at $x = -\rho$ ($\Leftrightarrow \bar{x} = 0$) we have an infinite energy barrier, which cannot be reached from either side,

see Fig. 4. In fact, for initial condition $x_0 = -\rho$ the explicit solution is given by the vertical line $(x(t), y(t)) = (-\rho, y_0 e^{-\gamma(\rho+1)t})$.

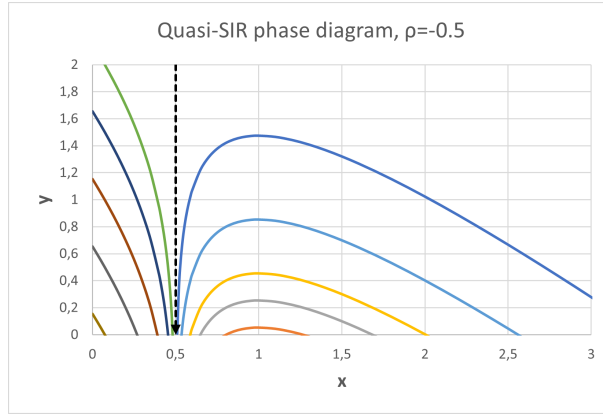


Figure 4. Phase diagram of the quasi-SIR model. $x(t)$ increases for $x_0 < -\rho$ and decreases for $x_0 > -\rho$. The vertical line corresponds to initial condition $x_0 = -\rho$.

For initial conditions $0 \leq x_0 < -\rho < 1$ and $y_0 > 0$ we have $\dot{x}(t) > 0$ and $\dot{y}(t) < 0$, for all $t \geq 0$, and $\lim_{t \rightarrow \infty} (x(t), y(t)) = (x_\infty, 0)$, where $x_0 < x_\infty < -\rho < 1$ solves $H(x_0, y_0) = H(x_\infty, 0)$. In this case, no epidemic arises and $S(t) \uparrow S_\infty \equiv x_\infty/r_0$. This is due to the fact that in this region the recovery flow $\gamma_S I$ exceeds the sum of infection + vaccination flow $(\beta + \theta)SI$.

If $x_0 > -\rho$, solutions qualitatively behave like in the classical SIR model, i.e. $x(t)$ monotonically decreases with $\dot{y} > 0$ for $x > 1$, $\dot{y} < 0$ for $x < 1$ and $y = y_{\max}$ at $x = 1$. Again, we have $\lim_{t \rightarrow \infty} (x(t), y(t)) = (x_\infty, 0)$, where $H(x_0, y_0) = H(x_\infty, 0)$, but this time $-\rho < x_\infty < 1$. Note that $x_0 > 1$ necessarily requires $r_0 > 1$, i.e. no epidemic can arise for $r_0 \leq 1$, as in the classic SIR model. Also, the inverse function $t(x)$ can be given explicitly, similarly as in [17].

Lemma B.1. *Solutions of the dynamical system (B.1) with initial conditions $x_0 \neq -\rho$, $y_0 > 0$ and “energy” $E = H(x_0, y_0)$ satisfy*

$$\gamma t = - \int_{x_0}^{x(t)} \frac{dx}{(x + \rho)(E - x + (\rho + 1) \log |x + \rho|)}, \quad \text{sign}(x(t) + \rho) = \text{sign}(x_0 + \rho).$$

Proof. This follows immediately from $\gamma^{-1} \dot{x} = -(x + \rho)y = -(x + \rho)(E - x + (\rho + 1) \log |x + \rho|)$. \square

Finally, the final size formula for S_∞ as a function of $S_{-\infty}$ in Theorem 3.10 is also obtained by “energy” conservation.

Proof of Theorem 3.10: Part i) follows from the fact that in variables (\bar{x}, \bar{y}) the system becomes a classic SIR model, where the initial conditions $I_0 > 0$ and $S_0 > \gamma_1/(\beta_1 + \theta_1)$ translate to $\bar{y}_0 > 0$ and $\bar{x}_0 > 0$. Hence $\bar{x}_\infty < \bar{x}_0$ and $0 < \bar{x}_\infty < 1 < \bar{x}_{-\infty} < \infty$. To prove part ii) use

$$\exp\left(\frac{H(S_\infty, 0)}{\rho + 1}\right) = \exp\left(\frac{H(S_{-\infty}, 0)}{\rho + 1}\right) \implies \bar{x}_\infty e^{-\bar{x}_\infty} = \bar{x}_{-\infty} e^{-\bar{x}_{-\infty}},$$

Eq. (3.24) follows from $\beta_1 \equiv r_0$ and $\bar{x} = (r_0 S + \rho)/(\rho + 1)$. To prove part iii) use

$$\int_{-\infty}^{\infty} \dot{I} dt = 0 \implies \beta \int_{-\infty}^{\infty} SI dt = \gamma \int_{-\infty}^{\infty} I dt.$$

Hence we get

$$\Delta R = \int_{-\infty}^{\infty} \dot{R} dt = \gamma \left(\theta_1 \int_{-\infty}^{\infty} SI dt + \gamma_2 \int_{-\infty}^{\infty} I dt \right) = \gamma \theta_1 \int_{-\infty}^{\infty} SI dt + \gamma_2 \beta \int_{-\infty}^{\infty} SI dt,$$

where the first term gives the fraction of vaccinated people. Part iii) follows from $r_0 = \beta/\gamma$. \square

APPENDIX C. THE SIS MODEL WITH VACCINATION

The transformation (3.20) from the SI(R)S model to Hethcote's model becomes ill-defined for $\rho = -1$. Epidemiologically, the model with parameters $\mathbf{a} \in \mathcal{A}_{\text{bio}} \cap \{\rho = -1\}$ is uninteresting and near to trivial. It implies $\alpha_2 = \gamma_2 = \theta_1 = 0$, whence also $R_0 = 0$, see Remark 3.6. This is a pure SIS model furnished with a constant vaccination rate from S to R and permanent immunity in R . So, eventually all people are vaccinated and this model only shows the trivial equilibrium $(S^*, I^*, R^*) = (0, 0, 1)$. Global stability in $\mathcal{T}_{\text{phys}}$ follows from absence of periodic solutions (use I^{-1} as a Dulac function as in [21, 23]) and the fact that $\mathcal{T}_{\text{phys}}$ is forward invariant.

REFERENCES

- [1] J. Arino, C.C. McCluskey, and P. van den Driessche. "Global results for an epidemic model with vaccination that exhibits backward bifurcation." In: *SIAM J. Appl. Math.* 64 (2003), pp. 260–276. DOI: 10.1137/S0036139902413829.
- [2] F. Avram et al. "On matrix-SIR Arino models with linear birth rate, loss of immunity, disease and vaccination fatalities, and their approximations." In: *arXiv preprint* (Dec. 2021). URL: <http://arxiv.org/abs/2112.03436>.
- [3] F. Avram et al. "Stability analysis of an eight parameter SIR- type model including loss of immunity, and disease and vaccination fatalities." In: *Mathematics* 10.3 (2022), p. 402. DOI: 10.3390/math10030402.
- [4] C.M. Batistela et al. "Vaccination and social distance to prevent Covid-19." In: *IFAC PapersOnLine* 54-15 (2021), pp. 151–156.
- [5] L. Brenig. "Reducing nonlinear dynamical systems to canonical forms." In: *Phil. Trans. R. Soc. A* 376 (2018), p. 20170384. DOI: 10.1098/rsta.2017.0384.
- [6] S. N. Busenberg and P. van den Driessche. "Analysis of a disease transmission model in a population with varying size." In: *J. Math. Biol.* 28 (1990), pp. 257–270. DOI: 10.1007/BF00178776.
- [7] S. Chauhan, O.P. Misra, and J. Dhar. "Stability Analysis of Sir Model with Vaccination." In: *American J. Comp. Appl. Math.* 2014.4(1) (2014), pp. 17–23. DOI: 10.5923/j.ajcam.20140401.03.
- [8] R.M. Corless et al. "On the Lambert W function." In: *Adv. Comput. Math.* 5.1 (1996), pp. 329–359. DOI: 10.1007/bf02124750.
- [9] W.R. Derrick and P. van den Driessche. "A disease transmission model in a nonconstant population." In: *J Math Biol* 31.5 (1993), pp. 495–512. DOI: 10.1007/BF00173889.
- [10] A. dOnofrio, P. Manfredi, and E. Salinelli. "Fatal SIR diseases and rational exemption to vaccination." In: *Mathematical Medicine and Biology* 25 (2008), pp. 337–357. DOI: 10.1093/imammb/dqn019.
- [11] A. dOnofrio, P. Manfredi, and E. Salinelli. "Lyapunov stability of an SIRS epidemic model with varying population." In: *arXiv Preprint [math.DS]* (2018). DOI: 10.48550/arXiv.1812.10676.
- [12] A. dOnofrio, P. Manfredi, and E. Salinelli. "Vaccinating behaviour, information, and the dynamics of SIR vaccine preventable diseases." In: *Theoretical Population Biology* 71 (2007), pp. 301–317. DOI: 10.1016/j.tpb.2007.01.001.
- [13] P. van den Driessche. "Reproduction numbers of infectious disease models." In: *Infectious Disease Modelling* 2 (2017), pp. 288–303. DOI: 10.1016/j.idm.2017.06.002.
- [14] H. Gümral and Y. Nutku. "Poisson Structure of dynamical systems with three degrees of freedom." In: *J. Math. Phys.* 34 (12) (1993), pp. 5691–5723. DOI: 10.1063/1.530278.
- [15] K. P. Hadeler and C. Castillo-Chavez. "A Core Group Model for Disease Transmission." In: *Math. Biosci.* 128 (1995), pp. 41–55. DOI: 10.1016/0025-5564(94)00066-9.
- [16] K. P. Hadeler and P. van den Driessche. "Backward Bifurcation in epidemic Control." In: *Math. Biosci.* 146 (1997), pp. 15–35.
- [17] T. Harko, F.S. Lobo, and M.K. Mak. "Exact analytical solutions of the susceptible-infected-recovered (SIR) epidemic model and of the SIR model with equal death and birth rates." In: *Appl. Math. Comput.* 236 (2014), pp. 184–194. DOI: 10.1016/j.amc.2014.03.030. arXiv: 1403.2160.
- [18] B. Hernández-Bermejo and V. Fairén. "Hamiltonian structure and Darboux theorem for families of generalized Lotka–Volterra systems." In: *J. Math. Phys.* 39 (1998), pp. 6162–6174. DOI: 10.1063/1.532621.

- [19] H.W. Hethcote. “Asymptotic behavior and stability in epidemic models.” In: *Mathematical Problems in Biology*. Victoria Conference 1973. Ed. by P. van den Driessche. Vol. 2. Lecture Notes in Biomathematics. Berlin/Heidelberg, Germany: Springer Verlag, 1974, pp. 83–92. DOI: 10.1007/978-3-642-45455-4_10.
- [20] H.W. Hethcote. “Note on determining the limiting susceptible population in an epidemic model.” In: *Math. Biosci.* 9 (1970), pp. 161–163.
- [21] H.W. Hethcote. “Qualitative analysis for communicable disease models.” In: *Math. Biosci.* 28 (1976), pp. 335–356.
- [22] H.W. Hethcote. “The Mathematics of Infectious Diseases.” In: *SIAM Rev.* 42 (2000), p. 599.
- [23] H.W. Hethcote. “Three basic epidemiological models.” In: *Applied Mathematical Ecology*. Ed. by S.A. Levin, T.G. Hallam, and L.J. Gross. Vol. 18. Biomathematics. Berlin Heidelberg New York: Springer Verlag, 1989, pp. 119–144.
- [24] Ma J. J. and Earn D. J. D. “Generality of the final size formula for an epidemic of a newly invading infectious disease.” In: *Bull Math Biol* 68 (2006), pp. 679–702.
- [25] W. O. Kermack and A. G. McKendrick. “A Contribution to the mathematical theory of epidemics.” In: *Proc. Roy. Soc. Lond A* 115 (1927), pp. 700–721.
- [26] J. Kopfová et al. “Dynamics of SIR model with vaccination and heterogeneous behavioral response of individuals modeled by the Preisach operator.” In: *J. Mat. Biol.* 83.11 (2021). DOI: 10.1007/s00285-021-01629-8.
- [27] A. Korobeinikov and G.C. Wake. “Lyapunov Functions and Global Stability for SIR, SIRS, and SIS Epidemiological Models.” In: *Appl. Math. Lett.* 15 (2002), pp. 955–960.
- [28] C.M. Kribs-Zaleta and J.X. Velasco-Hernandez. “A simple vaccination model with multiple endemic states.” In: *Mathematical Biosciences* 164 (2000), pp. 183–201. DOI: 10.1016/S0025-5564(00)00003-1.
- [29] Jianquan Li and Zhien Ma. “Qualitative analyses of SIS epidemic model with vaccination and varying total population size.” In: *Mathematical and Computer Modelling* 35 (2002), pp. 1235–1243. DOI: 10.1016/S0895-7177(02)00082-1.
- [30] Maia Martcheva. *An introduction to Mathematical Epidemiology*. Texts in Applied Mathematics 61. New York Heidelberg Dordrecht London: Springer, 2015.
- [31] J. Mena-Lorca and H.W. Hethcote. “Dynamic models of infectious diseases as regulators of population sizes.” In: *J. Math. Biol* 30 (1992), pp. 693–716.
- [32] Joel C. Miller. “A Note on the Derivation of Epidemic Final Sizes.” In: *Bull Math Biol* 74 (2012), pp. 2125–2141.
- [33] F. Nill. “Endemic oscillations for SARS-COV-2 Omicron - A SIRS model analysis.” In: *Chaos, Solitons and Fractals* to appear (2023). DOI: 10.48550/arXiv.2211.09005.
- [34] F. Nill. “On the redundancy of birth and death rates in homogenous epidemic SIR models.” In: *Fractal Fract.* 7 (Apr. 6, 2023), p. 313. DOI: 10.3390/fractalfract7040313.
- [35] F. Nill. “Symmetries and normalization in 3-compartment epidemic models. I: The replacement number dynamics.” In: *arXiv Preprint [q-bio.PE]* (Dec. 31, 2022). DOI: 10.48550/arXiv.2301.00159.
- [36] S.M. O’Regan et al. “Lyapunov functions for SIR and SIRS epidemic models.” In: *Applied Mathematics Letters* 23 (2010), pp. 446–448. DOI: 10.1016/j.aml.2009.11.014.
- [37] Dimiter Prodanov. “Comments on some analytical and numerical aspects of the SIR model.” In: *Applied Mathematical Modelling* 95 (2021), pp. 236–243. DOI: 10.1016/j.apm.2021.02.004.
- [38] *The Lambert W-Function*. URL: <https://mathworld.wolfram.com/LambertW-Function.html>.
- [39] H. Schättler U. Ledzewicz. “On optimal singular controls for a general SIR- model with vaccination and treatment.” In: *Disc. Cont. Dyn. Sys.* 2011(Special) (2011), pp. 981–990.
- [40] R. Ullah, G. Zaman, and S. Islam. “Stability analysis of a general SIR epidemic model.” In: *VFAST Transactions on Mathematics* 1 (2013), pp. 16–20.
- [41] Cruz Vargas-De-León. “On the global stability of SIS, SIR and SIRS epidemic models with standard incidence.” In: *Chaos, Solitons & Fractals* 44 (2011), pp. 1106–1110. DOI: 10.1016/j.chaos.2011.09.002.
- [42] Howard (Howie) Weiss. “The SIR model and the Foundations of Public Health.” In: *Materials Matemàtics* 2013 (3) (2013), p. 17.