

Investigating Topological Order using Recurrent Neural Networks

Mohamed Hibat-Allah,^{1,2,3,*} Roger G. Melko,^{2,3} and Juan Carrasquilla^{1,2,4}

¹*Vector Institute, MaRS Centre, Toronto, Ontario, M5G 1M1, Canada*

²*Department of Physics and Astronomy, University of Waterloo, Ontario, N2L 3G1, Canada*

³*Perimeter Institute for Theoretical Physics, 31 Caroline St N, Waterloo, ON N2L 2Y5, Canada*

⁴*Department of Physics, University of Toronto, Ontario M5S 1A7, Canada*

(Dated: October 27, 2023)

Recurrent neural networks (RNNs), originally developed for natural language processing, hold great promise for accurately describing strongly correlated quantum many-body systems. Here, we employ two-dimensional (2D) RNNs to investigate two prototypical quantum many-body Hamiltonians exhibiting topological order. Specifically, we demonstrate that RNN wave functions can effectively capture the topological order of the toric code and a Bose-Hubbard spin liquid on the kagome lattice by estimating their topological entanglement entropies. We also find that RNNs favor coherent superpositions of minimally-entangled states over minimally-entangled states themselves. Overall, our findings demonstrate that RNN wave functions constitute a powerful tool to study phases of matter beyond Landau’s symmetry-breaking paradigm.

I. INTRODUCTION

Landau symmetry breaking theory provides a fundamental description for a wide range of phases of matter and their phase transitions through the use of local order parameters [1]. Despite the fact that a great deal of our theoretical and experimental investigations of interacting quantum many-body systems have been developed with the aim of studying local order parameters, it is well-known that the most intriguing strongly correlated phases of matter may not be easily characterized through these observables. Instead, several states of matter seen in modern theoretical and experimental studies are defined globally through the phases’ topological properties [2–4]. Topological order, in particular, refers to a type of order characterized by the emergence of quasi-particle anyonic excitations, topological invariants, and long-range entanglement, which typically do not appear in traditional forms of order. As a result of these properties, topologically ordered phases have been suggested as an important building block for the development of a protected qubit resistant to perturbations and errors [5–7]. Interestingly, such qubits have been devised recently at the experimental level [8–10].

While most manifestations of topological order are dynamical in nature—e.g. anyon statistics, ground state degeneracy, and edge excitations [11]—topological order can also be characterized directly in terms of the ground state wave function and its entanglement. In particular, a probe for topological order is the topological entanglement entropy (TEE) [11, 12], which offers a characterization of the global entanglement pattern of topological ground states not present in conventionally ordered systems. Notably, the TEE is readily accessible for large classes of topological orders [11, 13], in numerical simulations based on quantum Monte Carlo (QMC) [14–16] and

density matrix renormalization group (DMRG) [17, 18], as well as in experimental realizations of topological order based on gate-based quantum computers [4]. Machine learning (ML) techniques offer an alternative approach study quantum many-body systems and have proved useful for a wide array of tasks including the classification of phases of matter [19–22], quantum state tomography [23, 24], finding ground states of quantum systems [25–34], studying open quantum systems [35, 36], and simulating quantum circuits [37–39], among many others [40–43]. In particular, neural networks representations of quantum many-body states have been shown to be able of expressing topological order using, e.g., restricted Boltzmann machines [44–47], convolutional neural networks [19] and autoregressive neural networks [48]. Here we use recurrent neural networks (RNN) [49–51] as an ansatz wave function [33, 34] to investigate topological order in two dimensions (2D) through the estimation of the TEE. We focus on two model Hamiltonians exhibiting topological order, namely Kitaev’s toric code [6, 7] and a Bose-Hubbard model on the kagome lattice previously shown to host a gapped quantum spin liquid with non-trivial emergent \mathbb{Z}_2 gauge symmetry [14, 16, 52]. In our study, we use Kitaev-Preskill constructions [12], and finite size-scaling analysis of the entanglement entropy to extract the TEE. We find convincing evidence that RNNs are capable of expressing ground states of Hamiltonians displaying topological order. We also find evidence that the RNN wave function is naturally biased toward finding superpositions of minimally entangled states (MESs), as reflected in the calculations of entanglement entropy and Wilson loop operators for the toric code. Overall, our results indicate that RNNs can represent phases of matter beyond the conventional Landau symmetry-breaking paradigm.

* mohamed.hibat.allah@uwaterloo.ca

II. 2D RNN

Our main aim is to study topological properties of Hamiltonians using an RNN wave function ansatz. Since the quantum systems we study are stoquastic [53], we consider an ansatz with positive amplitudes to model the ground state wave function [33]. Complex extensions of RNN wave functions for non-stoquastic Hamiltonians have been explored in Refs. [33, 34]. To model a positive RNN wave function, we write our ansatz in the computational basis as:

$$\Psi_{\theta}(\boldsymbol{\sigma}) = \sqrt{p_{\theta}(\boldsymbol{\sigma})},$$

where $\boldsymbol{\theta}$ denotes the variational parameters of the ansatz $|\Psi_{\theta}\rangle$, and $\boldsymbol{\sigma} = (\sigma_1, \sigma_2, \dots, \sigma_N)$ is a basis state configuration. A key characteristic of the RNN wave function is its ability to estimate observables with uncorrelated samples through autoregressive sampling [33, 54]. This is achieved by parametrizing the joint probability $p_{\theta}(\boldsymbol{\sigma})$ with its conditionals $p_{\theta}(\sigma_i|\sigma_{<i})$, through the probability chain rule

$$p_{\theta}(\boldsymbol{\sigma}) = p_{\theta}(\sigma_1)p_{\theta}(\sigma_2|\sigma_1)\cdots p_{\theta}(\sigma_N|\sigma_{N-1}, \dots, \sigma_2, \sigma_1).$$

The conditionals are given by

$$p_{\theta}(\sigma_i|\sigma_{<i}) = \mathbf{y}_i \cdot \boldsymbol{\sigma}_i,$$

where $\mathbf{y}_i = \text{Softmax}(U\mathbf{h}_i + \mathbf{c})$ and ‘ \cdot ’ is the dot product operation. The hidden state \mathbf{h}_i is calculated recursively as [51]

$$\mathbf{h}_i = f(W[\boldsymbol{\sigma}_{i-1}; \mathbf{h}_{i-1}] + \mathbf{b}), \quad (1)$$

where the input $\boldsymbol{\sigma}_{i-1}$ is a one-hot encoding of σ_{i-1} and the symbol $[\cdot; \cdot]$ corresponds to the concatenation of two vectors. Furthermore, U, W, \mathbf{b} , and \mathbf{c} are learnable weights and biases and f is an activation function. The sequential operation of the RNN is shown in Fig. 1(a), where the RNN cell, i.e., the recurrent relation in Eq. (1), is depicted as a blue square. As each of the conditionals $p_{\theta}(\sigma_i|\sigma_{<i})$ [33] is normalized, the distribution p_{θ} , and thus the quantum state $|\Psi_{\theta}\rangle$, are normalized. Notably, by virtue of the sequential structure built into the RNN ansatz, it is possible to obtain exact samples from p_{θ} by sampling the conditionals $p_{\theta}(\sigma_i|\sigma_{<i})$ sequentially as illustrated in Fig. 1(b). The sampling scheme is parallelizable and can produce fully uncorrelated samples distributed according to p_{θ} without the use of potentially slow Markov chains [33, 34].

As our aim is to study 2D quantum systems with periodic boundary conditions, we use 2D RNNs [33, 55], through the modification of the 1D relation in Eq. (1) to a recursion that encodes the 2D geometry of the lattice, i.e.,

$$\mathbf{h}_{i,j} = f\left(W[\boldsymbol{\sigma}_{i-(-1)^j,j}; \boldsymbol{\sigma}_{i,j-1}; \mathbf{h}_{i-(-1)^j,j}; \mathbf{h}_{i,j-1}] + \mathbf{b}\right). \quad (2)$$

Here $\mathbf{h}_{i,j}$ is a hidden state with two indices for each site in the 2D lattice, which is computed based on the inputs and the hidden states of the nearest neighboring sites. Note that the x -index of the horizontal neighboring site follows the zigzag sampling path illustrated by the red dashed arrows in Fig. 1(c). This sampling path was motivated in Ref. [33], which allows us to circumvent the use of non-local recurrent connections in our 2D RNN as opposed to other sampling paths. Other alternative orderings are discussed in Ref. [56]. Since $\mathbf{h}_{i,j}$ contains information about the history of generated variables $\sigma_{i,j}$, it can be used to compute the conditionals

$$p_{\theta}(\sigma_{i,j}|\sigma_{<i,j}) = \text{Softmax}(U\mathbf{h}_{i,j} + \mathbf{c}) \cdot \boldsymbol{\sigma}_{i,j}. \quad (3)$$

It is worth noting that at the boundaries of the 2D lattice, we use additional inputs to the 2D recursion relation as follows:

$$\mathbf{h}_{i,j} = f\left(W'[\boldsymbol{\sigma}_{i-(-1)^j,j}; \boldsymbol{\sigma}_{i,j-1}; \boldsymbol{\sigma}_{i+(-1)^j,j}; \boldsymbol{\sigma}_{i,j+1}; \mathbf{h}_{i-(-1)^j,j}; \mathbf{h}_{i,j-1}; \mathbf{h}_{i+(-1)^j,j}; \mathbf{h}_{i,j+1}] + \mathbf{b}'\right). \quad (4)$$

For consistency, W' and \mathbf{b}' are extensions of the weights W and \mathbf{b} in Eq. (2). Additionally, L_x, L_y are respectively the width and the length of the 2D lattice. In our study, we choose $L_x = L_y = L$. The additional variables $\boldsymbol{\sigma}_{i+(-1)^j,j}$, $\boldsymbol{\sigma}_{i,j+1}$ and hidden states $\mathbf{h}_{i+(-1)^j,j}$, $\mathbf{h}_{i,j+1}$ allow modeling systems with periodic boundary conditions such that the ansatz accounts for the correlations between physical degrees of freedom across the boundaries as suggested in Ref. [48]. For more clarity, periodic boundary conditions on the indices of the hidden states and the inputs are assumed. Furthermore, we note that during the process of autoregressive sampling, if either of the input vectors, in Eq. (4), have not been encountered yet, we initialize them to a null vector so we preserve the autoregressive nature of the RNN wave function, as illustrated in Fig. 1(b). Furthermore, Fig. 1(c) illustrates the autoregressive sampling path in 2D and how information is being transferred among RNN cells. Importantly, we use an advanced version of 2D RNNs which incorporates a gating mechanism to mitigate the vanishing gradient problem [33, 48, 57, 58]. Additional details can be found in App. A. We also note that implementing lattice symmetries in our RNN ansatz can be done to improve the variational accuracy as shown in Refs. [33, 58], however, we do not pursue this direction in our study.

Finally, to highlight the advantages of our RNN approach, we note that the training complexity of one gradient descent step of the 2D RNN wave function is quadratic in the size of hidden states denoted as d_h . The latter is very inexpensive compared to projected-entangled pair-states (PEPS), which is $\#P$ to contract in general [59] and can be approximately contracted with a scaling $\mathcal{O}(\chi^2 \tilde{D}^6)$ (where \tilde{D} the PEPS bond dimension and χ is the bond dimension of the intermediate matrix product state (MPS) [60]). It is also worth noting that RNNs have the weight-sharing property which allows the

extrapolation of small system size calculations to larger system sizes [34, 58] as illustrated in Sec. III B. We would also like to point out that the sampling and the inference cost of the RNN is linear in the system size which favors RNNs compared to other autoregressive models in terms of computational cost [33, 48].

A. Supplementing RNNs optimization with annealing

To train the parameters of the RNN, we minimize the energy expectation value $E_\theta = \langle \Psi_\theta | \hat{H} | \Psi_\theta \rangle$ using Variational Monte Carlo (VMC) [61], where \hat{H} is a Hamiltonian of interest. In the presence of local minima in the optimization landscape of E_θ , the VMC optimization may get stuck in a poor local optimum [62, 63]. To ameliorate this limitation, we supplement the VMC scheme with a pseudo-entropy whose objective is to help the optimization escape local minima [34, 58, 62, 64, 65]. The new objective function is defined as

$$F_\theta(n) = E_\theta - T(n)S_{\text{classical}}(p_\theta), \quad (5)$$

where F_θ is a variational pseudo free energy. The Shannon entropy $S_{\text{classical}}$ of $p_\theta(\sigma)$ is given by

$$S_{\text{classical}}(p_\theta) = - \sum_{\sigma} p_\theta(\sigma) \ln(p_\theta(\sigma)), \quad (6)$$

where the sum goes over all possible configurations $\{\sigma\}$ in the computational basis. The pseudo-entropy $S_{\text{classical}}$ and its gradients are evaluated by sampling the RNN wave function. Furthermore, $T(n)$ is a pseudo-temperature that is annealed from some initial value T_0 to zero as follows: $T(n) = T_0(1 - n/N_{\text{annealing}})$ where $n \in [0, N_{\text{annealing}}]$ and $N_{\text{annealing}}$ is the total number of annealing steps. This scheme is inspired by the regularized variational quantum annealing scheme in Refs. [34, 58, 62]. More details about our training scheme are given in App. B. We also provide the hyperparameters in App. C.

B. Topological entanglement entropy

A powerful tool to probe topologically ordered states of matter is through the TEE [11–15, 66–69]. The TEE can be extracted by computing the entanglement entropy of a spatial bipartition of the system into A and B , which together comprise the full system. For many phases of 2D matter, the Renyi- n entropy $S_n(A) \equiv \frac{1}{1-n} \ln(\text{Tr}(\rho_A^n))$ satisfies the area law $S_n(A) = \alpha L_A - \gamma + \mathcal{O}(L^{-1})$. Here L_A is the size of the boundary between A and B , $\rho_A = \text{Tr}_B |\Psi\rangle\langle\Psi|$ is the reduced density matrix of subsystem A , $|\Psi\rangle$ is the state of the system, and γ is the TEE. The latter detects non-local correlations in the ground state wave function and plays the role of an order parameter for topological phases similar to the notion of a local

order parameter in phases displaying long-range order. Interestingly, a measure of specific non-zero values of γ can be a clear sign of the existence of a topological order in a system of interest. Additionally, since the TEE is shown to be independent of the choice of Renyi index n for a contractible region A [67], we can use the swap trick [70] with our RNN wave function ansatz [33, 71] to calculate the second Renyi entropy S_2 and extract the TEE γ .

To access the TEE γ , we can approximate the ground state of the system using an RNN wave function ansatz, i.e. $|\Psi_\theta\rangle \approx |\Psi\rangle$ for different system sizes followed by a finite-size scaling analysis of the second Renyi entropy. We can also make use of a TEE construction, e.g., the Kitaev-Preskill construction [12].

The Kitaev-Preskill construction prescribes dividing the system into four subregions A , B , C , and D as illustrated in Fig. 2. The TEE can be then obtained by computing

$$\begin{aligned} \gamma = & -S_2(A) - S_2(B) - S_2(C) + S_2(AB) \\ & + S_2(AC) + S_2(BC) - S_2(ABC), \end{aligned}$$

where $S_2(A)$ is the second Renyi entropy of the subsystem A , and AB is the union of A and B and similarly for the other terms. Finite-size effects on γ can be alleviated by increasing the size of the subregions A, B and C [12, 72]. Here we have fixed the size of the interior subregions A, B, C to limit the error bars in our calculations. Finally, we highlight the ability of the RNN wave function to study systems with fully periodic boundary conditions as a strategy to mitigate boundary effects, as opposed to cylinders used in DMRG [73, 74], which may potentially introduce edge effects that can affect the values of the TEE [75].

III. RESULTS

A. The toric code

We now focus our attention on the toric code Hamiltonian which is the simplest model that hosts a Z_2 topological order [6, 66] and has a non-zero TEE equal to $\gamma = \ln(2)$. The Hamiltonian is defined in terms of spin-1/2 degrees of freedom located on the edges of a square lattice (see Fig. 3(a)) and is given by

$$\hat{H} = - \sum_p \prod_{i \in p} \hat{\sigma}_i^z - \sum_v \prod_{i \in v} \hat{\sigma}_i^x,$$

where $\hat{\sigma}_i^{x,z}$ are Pauli matrices. Additionally, the first summation is on the plaquettes and the second summation is on the vertices of the lattice [66]. Note that the lattice in Fig. 3(a) can be seen as a square lattice with a unit cell containing two spins. In our simulations, we use an $L \times L \times 2$ array of spins where L is the number of plaquettes on each side of the underlying square lattice.

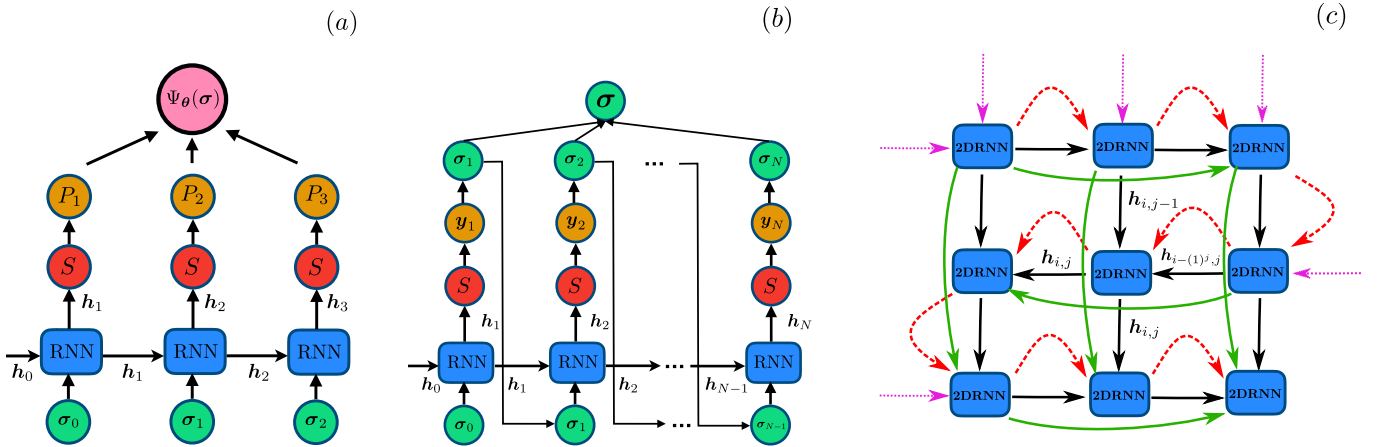


Figure 1. (a) An illustration of the positive RNN wave function. Each RNN cell (blue squares) receives an input σ_{n-1} and a hidden state h_{n-1} and outputs a new hidden state h_n . The latter is fed to a Softmax layer (denoted by S, red circle) that outputs a conditional probability P_i (orange circle). The conditional probabilities are multiplied after taking a square root to obtain the wave function $\Psi_\theta(\sigma)$ (pink circle). (b) Illustration of the sampling scheme for an RNN wave function. After obtaining the probability vector y_i from the Softmax layer (S) at step i , we sample it to produce σ_i which is fed again to the RNN with the hidden state h_i to produce the next configuration σ_{i+1} . (c) A 2D RNN with periodic boundary conditions. A bulk RNN cell receives two hidden states $h_{i,j-1}$ and $h_{i-1,j}$, as well as two input vectors $\sigma_{i,j-1}$ and $\sigma_{i-1,j}$ (not shown) illustrated by the black solid arrows. To handle periodic boundary conditions, RNN cells at the boundary receive an additional $h_{i,j+1}$ and $h_{i+(-1)^j,j}$, as well as two input vectors $\sigma_{i,j+1}$ and $\sigma_{i+(-1)^j,j}$ (not shown) illustrated by green solid arrows. The sampling path is illustrated with curved dashed red arrows. The initial memory states and the initial inputs are taken as null vectors and are fed to the 2DRNN cells as indicated by the pink dashed arrows.

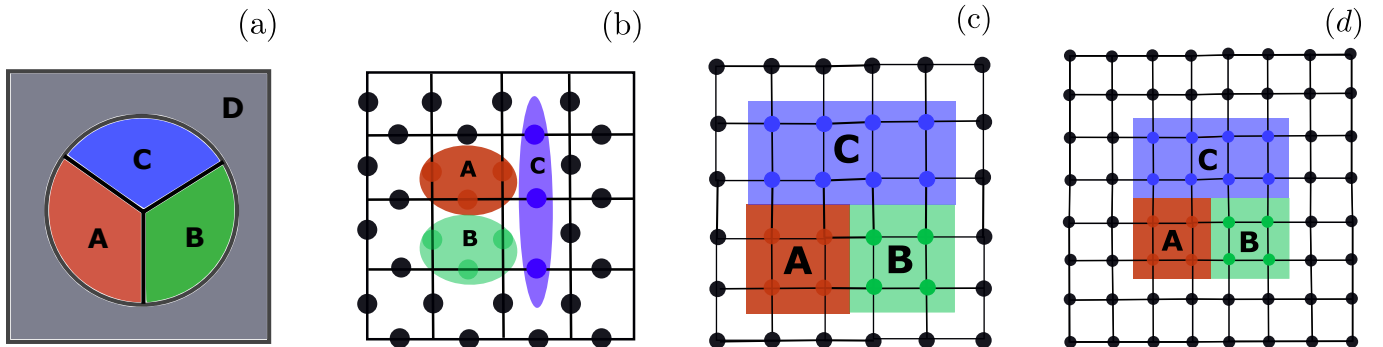


Figure 2. Panel (a): a sketch of the parts A , B , and C that we use for Kitaev-Preskill construction to compute the TEE in a system of interest. Panels (b-d): an illustration of the subregions A , B , C chosen for the Kitaev-Preskill constructions. (b) For the 2D toric code, each subregion has 3 spins. We also do the same for the lattice lengths $L = 6, 8, 10$ in Fig. 4(b). For the hard-core Bose-Hubbard model on the Kagome lattice, we target two different system sizes. Panel (c) shows the construction for $L = 6$ and panel (d) provides the construction for $L = 8$. In panels (c) and (d), each site corresponds to a block of three bosons.

It is possible to study the toric code with a 2D RNN defined on a primitive square lattice by merging the two spin degrees of freedom of the unit cell of the toric code into a single “patch” followed by an enlargement of the local Hilbert space dimension in the RNN from 2 to 4. This idea is illustrated in Fig. 3(a) and is similar in spirit to how the local Hilbert space is enlarged in DMRG to study quasi-1D systems [76]. We provide additional details about the mapping in App. A.

To extract the TEE from our ansatz, we variationally optimize the 2D RNN wave function targetting the ground state of this model for multiple system sizes on

a square lattice with periodic boundary conditions. After the optimization, we compute the TEE using system size extrapolation and using the Kitaev-Preskill scheme provided in Sec. II B. Here we use three spins for each subregion as illustrated in Fig. 2(b). To avoid local minima during the variational optimization, we perform an initial annealing phase as described in Sec. II A (see additional details in App. C).

The results shown in Fig. 4(a) suggest that our 2D RNN wave function can describe states with an area law scaling in 2D. Linearized versions of the RNN wave function have been recently shown to display an entangle-

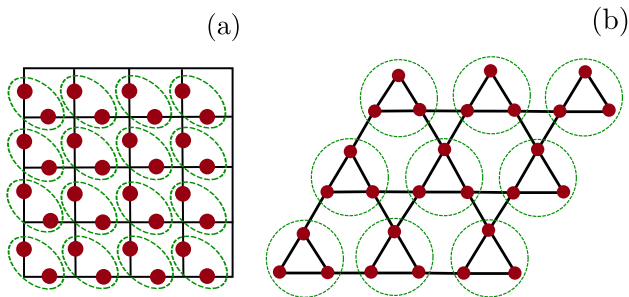


Figure 3. Mapping of 2D toric code lattice and kagome lattice to a square lattice that can be handled by a 2D RNN wave function. For the toric code lattice in panel (a), every two sites inside the dashed green ellipses are merged. For the kagome lattice in panel (c), every three sites in a unit cell enclosed by the dashed green circles are combined.

ment area law [77]. For $L = 10$ (not included in the extrapolations in Fig. 4(a)), it is challenging to evaluate S_2 accurately as the expectation value of the swap operator is proportional to $\exp(-S_2)$, which becomes very small and is hard to resolve accurately via sampling the RNN wave function. The improved ratio trick is an interesting alternative for enhancing the accuracy of our estimates [23, 70]. The use of conditional sampling is also another possibility for enhancing the accuracy of our measurements [71].

Additionally, the extrapolation confirms the existence of a non-zero TEE whose value is close to $\gamma' = \ln(2)$ within error bars. To further verify that our 2D RNN wave function can extract the correct TEE of the 2D toric code, we compute the TEE using the Preskill-Kitaev construction, which has contractible surfaces, and for which the TEE does not depend on the topological sector superposition [15, 68] (see Fig. 2(b)). The results reported in Fig. 4(b) demonstrate an excellent agreement between the TEE extracted by our RNN and the expected theoretical value for the toric code. To keep the error bars small, and since in the toric code the TEE does not depend on the subregion sizes [66], we use fixed subregion sizes in Fig. 2(b).

Interestingly, we note that the subregion we use to compute the TEE in Fig. 4(a) is half of the torus, namely a cylinder with two disconnected boundaries [78]. As shown in Ref. [68], the use of this non-contractible geometry means that the expected TEE becomes state-dependent and given by

$$\gamma' = 2\gamma + \ln \left(\sum_i \frac{p_i^2}{d_i^2} \right) \quad (7)$$

for the second Renyi entropy. Here $d_i \geq 1$ is the quantum dimension of an i -th quasi-particle. For the toric code, we have Abelian anyons with $d_i = 1$ for $i = 1, 2, 3, 4$. Additionally $p_i = |\alpha_i|^2$ is the overlap of the computed

ground state $|\Psi\rangle$ with the i -th MES $|\Xi_i\rangle$ where

$$|\Psi\rangle = \sum_i \alpha_i |\Xi_i\rangle.$$

The observations above and the numerical result $\gamma'_{\text{RNN}} \approx \ln(2)$, for the non-contractible subregions in Fig. 4(a), suggest that the RNN wave functions optimized via gradient descent and annealing find a superposition of MES, as opposed to DMRG which preferentially collapses to a single MES for relatively low bond dimensions. For relatively large bond dimensions a superposition of MES can be recovered in a DMRG simulation [17, 18].

Here we further investigate the superposition found by the RNN through the analyses of the expectation values of the average Wilson loop operators and the average 't Hooft loop operators. First of all, we check that our RNN energy has converged to the ground state energy as shown in Tab. I. This convergence confirms that our RNN wave function satisfies the plaquette and the vertex constraints with an excellent approximation. Next, we define the average Wilson loop operators as

$$\hat{W}_d^z = \frac{1}{L} \left(\sum_{\mathcal{C}_d} \prod_{\sigma_j \in \mathcal{C}_d} \hat{\sigma}_j^z \right). \quad (8)$$

Here $d = h, v$ and $\mathcal{C}_h, \mathcal{C}_v$ are closed non-contractible loops illustrated in Fig. 5. A set of degenerate ground states of the toric code are eigenstates of the operators \hat{W}_h^z, \hat{W}_v^z with eigenvalues ± 1 . Additionally, the two eigenvalues uniquely determine the topological sector of the ground state. In this case, the topological ground states can be labeled as $|\xi_{ab}\rangle$ with $a, b = 0, 1$ [68, 79].

We can also define the average 't Hooft loop operators on non-contractible closed loops [79], such that

$$\hat{W}_d^x = \frac{1}{L} \left(\sum_{\tilde{\mathcal{C}}_d} \prod_{\sigma_j \in \tilde{\mathcal{C}}_d} \hat{\sigma}_j^x \right), \quad (9)$$

where $d = h, v$ and $\tilde{\mathcal{C}}_h, \tilde{\mathcal{C}}_v$ correspond to horizontal and vertical loops as illustrated in Fig. 5. These operators satisfy the anti-commutation relations $\{\hat{W}_h^z, \hat{W}_v^x\} = 0$ and $\{\hat{W}_v^z, \hat{W}_h^x\} = 0$.

From the optimized RNN wave function ($L = 8$), we find $\langle \hat{W}_h^z \rangle = 0.0009(2)$ and $\langle \hat{W}_v^z \rangle = -0.0039(2)$ which are consistent with vanishing expectation values. We also obtain $\langle \hat{W}_h^x \rangle = 0.999847(5)$ and $\langle \hat{W}_v^x \rangle = 0.999785(5)$ for the 't Hooft loop operators, which are consistent with +1 expectation values. These results are in part due to the use of a positive RNN wave function which forces the expectation values $\langle \hat{W}_h^x \rangle$ and $\langle \hat{W}_v^x \rangle$ to strictly positive values and rules out the possibility to obtain, e.g., $\langle \hat{W}_h^x \rangle = -1$.

By expanding the optimized RNN wave function in the $|\xi_{ab}\rangle$ basis, where a, b are binary variables, we obtain

$$|\Psi_{\text{RNN}}\rangle \approx \sum_{ab} c_{ab} |\xi_{ab}\rangle.$$

Length L	$L = 4$	$L = 6$	$L = 8$	$L = 10$
Energy per spin	-1.99970(3)	-1.99962(2)	-1.99975(1)	-1.99986(1)

Table I. Variational energies per site found by our RNN wave function for the 2D toric code for different lattice lengths L after autoregressively sampling 10^5 configurations at the end of training. We find an excellent agreement with the ground state energy per site -2 .

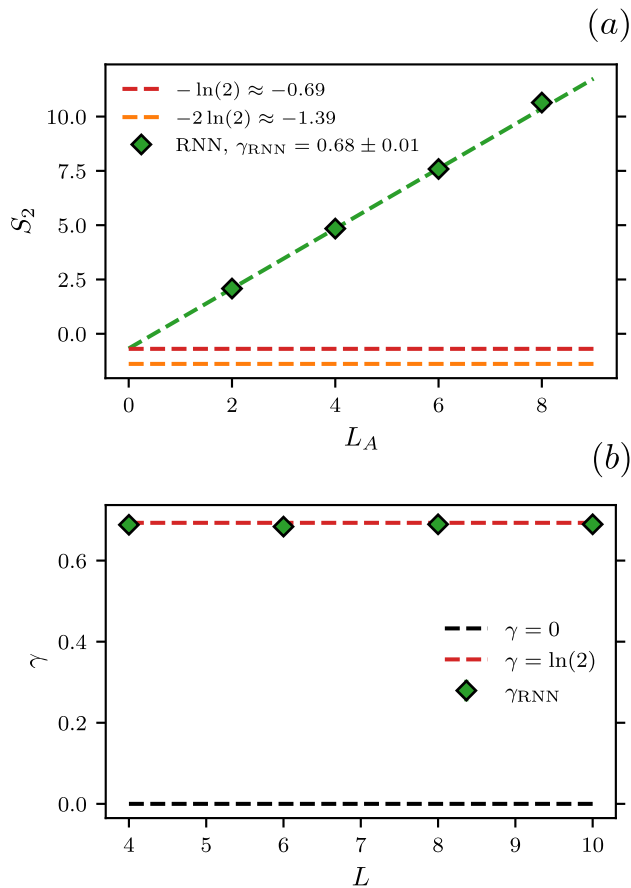


Figure 4. Entanglement properties of the 2D toric code. (a) Second Renyi entropy S_2 scaling is computed using our RNN wave function on the 2D toric code for different lengths of the boundary $L_A = L$, where L is the system length and the total system size is given as $L \times L \times 2$. Note that our toric code embedded in a torus is divided into two equal cylinders to compute S_2 . (b) TEE computed with the Kitaev-Preskill construction (see Fig. 2(b)) versus the overall system length L . The values found by the RNN are very close to $\ln(2)$. Error bars correspond to one standard deviation and are smaller than the symbol size.

Here $\{|\xi_{ab}\rangle\}$ correspond to the four topological sectors and they are mutually orthogonal. c_{ab} are real numbers since we use a real-valued (specifically positive) ansatz wave function. Additionally, the basis states $|\xi_{ab}\rangle$ satisfy

$$\begin{aligned}\hat{W}_h^z |\xi_{ab}\rangle &= (-1)^a |\xi_{ab}\rangle, \\ \hat{W}_v^z |\xi_{ab}\rangle &= (-1)^b |\xi_{ab}\rangle.\end{aligned}$$

From the anti-commutation relations, we can show that:

$$\begin{aligned}\hat{W}_h^x |\xi_{ab}\rangle &= |\xi_{a\bar{b}}\rangle, \\ \hat{W}_v^x |\xi_{ab}\rangle &= |\xi_{\bar{a}b}\rangle,\end{aligned}$$

where $\bar{a} = 1 - a$ and $\bar{b} = 1 - b$. By plugging the last two equations in the \hat{W}_h^x, \hat{W}_v^x expectation values of our optimized RNN wave function, we obtain:

$$\begin{aligned}2c_{00}c_{01} + 2c_{10}c_{11} &\approx 1, \\ 2c_{00}c_{10} + 2c_{01}c_{11} &\approx 1.\end{aligned}$$

From the normalization constraint $1 = \sum_{ab} c_{ab}^2$, we deduce that:

$$\begin{aligned}(c_{00} - c_{01})^2 + (c_{10} - c_{11})^2 &\approx 0, \\ (c_{00} - c_{10})^2 + (c_{01} - c_{11})^2 &\approx 0.\end{aligned}$$

As a consequence, we conclude that $c_{00} \approx c_{01} \approx c_{10} \approx c_{11}$, which means that the optimized RNN wave function is approximately a uniform superposition of the four topological ground states $|\xi_{ab}\rangle$. This observation is also consistent with vanishing expectation values of the operators \hat{W}_h^z, \hat{W}_v^z .

Furthermore, from Ref. [68] the MES of the toric code are given as follows:

$$\begin{aligned}|\Xi_1\rangle &= \frac{1}{\sqrt{2}} (|\xi_{00}\rangle + |\xi_{01}\rangle), \\ |\Xi_2\rangle &= \frac{1}{\sqrt{2}} (|\xi_{00}\rangle - |\xi_{01}\rangle), \\ |\Xi_3\rangle &= \frac{1}{\sqrt{2}} (|\xi_{10}\rangle + |\xi_{11}\rangle), \\ |\Xi_4\rangle &= \frac{1}{\sqrt{2}} (|\xi_{10}\rangle - |\xi_{11}\rangle).\end{aligned}$$

Thus, our RNN wave function can be written approximately as a uniform superposition of the MESs $|\Xi_1\rangle$ and $|\Xi_3\rangle$, i.e.

$$|\Psi_{\text{RNN}}\rangle \approx \frac{1}{\sqrt{2}} (|\Xi_1\rangle + |\Xi_3\rangle).$$

In conclusion, using Eq. (7), we expect $\gamma' = 2\ln(2) + \ln(\frac{1}{4} + \frac{1}{4}) = \ln(2)$, which is consistent with our numerical observations.

We note that the exact autoregressive sampling procedure plays a key role in the ability of our RNN ansatz to sample a superposition of different topological sectors when this superposition is encoded in our ansatz.

For wave functions representing the ground state of the toric code used in combination with Markov-chain Monte Carlo methods, the probability of sampling different topological sectors of the state is exponentially suppressed even if the exact wave function ansatz encodes different topological sectors. This observation can be illustrated using an exact convolutional neural network construction of the toric code ground state which contains an equal superposition of different topological sectors [19]. Although in principle such representation contains all topological sectors, its form is not amenable to exact sampling and uses Markov chains so, upon sampling with local moves, the system chooses a fixed topological sector.

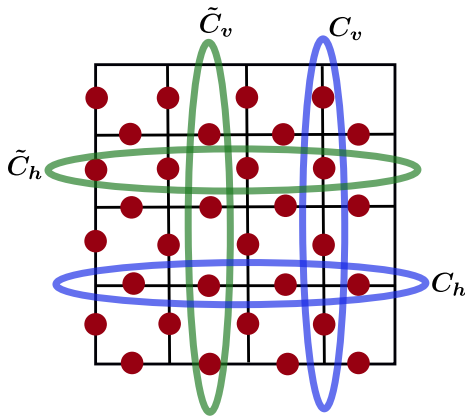


Figure 5. An illustration of the vertical and the horizontal loops used to compute the Wilson loop operators (see Eq. 8) and the 't Hooft loop operators (see Eq. 9).

B. Bose-Hubbard model on kagome lattice

We now turn our attention to a hard-core Bose-Hubbard model on the kagome lattice, which has been shown to host topological order [14, 16, 52]. The Hamiltonian of this model is given by

$$\hat{H} = -t \sum_{\langle i,j \rangle} (b_i^\dagger b_j + b_i b_j^\dagger) + V \sum_{\square} n_{\square}^2, \quad (10)$$

where b_i (b_i^\dagger) is the annihilation (creation) operator. Furthermore, t is the kinetic strength, V is a tunable interaction strength and $n_{\square} = \sum_{i \in \square} (n_i - 1/2)$. The first term corresponds to a kinetic term that favors hopping between nearest neighbors, whereas the second term promotes an occupation of three hard-core bosons in each hexagon of the kagome lattice. In our setup, we choose V in units of the kinetic term strength t . Note that for a hard-core boson i , the occupation $n_i = b_i^\dagger b_i$ only takes two values 0 or 1.

The atom configurations of this model correspond to an $L \times L \times 3$ array of binary degrees of freedom where L is the size of each side of the kagome lattice. Following an

analogous approach to the toric code, we combine three sites of the unit cell of the kagome lattice as input to the 2D RNN cell, as illustrated in Fig. 3(b). This allows us to map our kagome lattice with a local Hilbert space of 2 to a square lattice with an enlarged Hilbert space of size $2^3 = 8$.

The model is known to host a Z_2 spin-liquid phase for $V \gtrsim 7$ [14, 16, 80]. To confirm this finding, we estimate γ for the system sizes $6 \times 6 \times 3$ and $8 \times 8 \times 3$. We use the Kitaev-Preskill construction [12]. The details of the construction of the regions A, B and C are provided in Figs. 2(c-d). As the Hamiltonian in Eq. 10 has a $U(1)$ symmetry associated with the conservation of bosons in the system, we impose this symmetry on our RNN wave function [33]. We also supplement the VMC optimization with annealing to overcome local minima as previously done for the 2D toric code (see App. B). For the system size $8 \times 8 \times 3$, the RNN ansatz parameters were initialized using the optimized parameters of the system size $6 \times 6 \times 3$ (see details about the hyperparameters in App. C). This pre-training technique was motivated by Refs. [34, 48, 58].

The results are provided in Fig. 6. The computed TEEs for $L = 6, 8$ show a saturation of γ_{RNN} for large values of the interaction strength V . We observe that the saturation values of γ_{RNN} are in good agreement with the expected TEE $\gamma = \ln(2)$ of a Z_2 spin-liquid [14]. Additionally, the negative values of γ_{RNN} observed for $V \leq 6$ in the superfluid phase [14] may be related to the presence of Goldstone modes that manifest themselves as corrections to the area law in the entanglement entropy and can be seen as a negative contribution to the TEE [81]. We note that the QMC methods are capable of obtaining a consistent value with the exact TEE for this model at $V = 8$ for very large system sizes [16] using finite-size extrapolation. This observation suggests that our RNN ansatz is still limited by finite-size effects at $V = 8$ (see Fig. 6) for which the TEE is not yet saturated to $\ln 2$. Other sources of error in our calculation may be due to inaccuracies in the variational calculations and statistical errors due to the sampling. However, we note that our variational calculation is performed at zero temperature, which makes our calculations insensitive to temperature effects as opposed to QMC [14].

IV. CONCLUSIONS AND OUTLOOKS

We have demonstrated a successful application of neural network wave functions to the task of detecting topological order in quantum systems. In particular, we use RNNs borrowed from natural language processing as ansatz wave functions. RNNs enjoy the autoregressive property which allows them to sample uncorrelated configurations. They are also capable of estimating second Renyi entropies using the swap trick [33] with which we computed TEEs using finite-size scaling and Kitaev-Preskill constructions [12]. Although we have fixed the

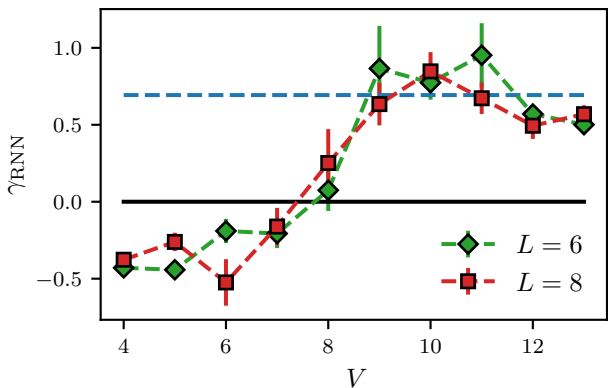


Figure 6. A plot of the topological entanglement entropy against the interaction strength V (in units of t) of Hard-core Bose-Hubbard model on kagome lattice for system sizes $N = L \times L \times 3$ where $L = 6, 8$. The calculations were performed using the Kitaev-Preskill construction (see Fig. 2(c-d)). The continuous black horizontal line corresponds to a zero TEE, and the dashed blue horizontal line for a $\ln(2)$ TEE.

size of the interior subregions A, B, C to limit the error bars in our calculations, we note that it is possible to use improved estimators of TEE [23, 70, 71]. Furthermore, the structural flexibility of the RNN offers the possibility to handle a wide variety of geometries including periodic boundary conditions in any spatial dimension which alleviate boundary effects on the TEE.

We have empirically demonstrated that 2D RNN wave functions support the 2D area law and can find a non-zero TEE for the toric code and for the hard-core Bose-Hubbard model on the Kagome lattice. We also find that RNNs favor coherent superpositions of MESs over a single MES. The success of our numerical experiments hinges on the combination of the exact sampling strategy used to compute observables, the structural properties of the RNN wave function, and the use of annealing as a strategy to overcome local minima during the optimization procedure.

The accuracy improvement of our findings can be achieved through the use of more advanced versions of RNNs and autoregressive models in general [58, 77], or even a hybrid approach that combines QMC and RNNs [82, 83]. Similarly, the incorporation of lattice symmetries provides a strategy to enhance the accuracy of our calculations [33, 58, 84]. Although our results match the anticipated behavior of the toric code and Bose-Hubbard spin liquid models, we highlight that the RNN wave function may be susceptible to spurious contributions to the TEE [69] and we have not addressed this issue in our work.

Finally, our methods can be applied to study other systems displaying topological order, such as the Rydberg atoms array [3, 85, 86], either through variational methods or in combination with experimental data. To experimentally study topological order, it is possible to

use quantum state tomography with RNNs [24]. This involves using experimental data to reconstruct the state seen in the experiment followed by an estimation of the TEE using the methods outlined in our work. Overall, our findings suggest that RNN wave function ansatzes have promising potential for discovering phases of matter with topological order.

ACKNOWLEDGMENTS

We would like to thank Giacomo Torlai, Jeremy Côté, Schuyler Moss, Roeland Wiersema, Ejaaz Merali, Isaac De Vlugt, and Arun Paramakanti for helpful discussions. Our RNN implementation is based on Tensorflow [87] and NumPy [88]. Computer simulations were made possible thanks to the Vector Institute computing cluster and Compute Canada. M.H acknowledges support from Mitacs through Mitacs Accelerate. We acknowledge support from Natural Sciences and Engineering Research Council of Canada (NSERC), the Shared Hierarchical Academic Research Computing Network (SHARCNET), Compute Canada, and the Canadian Institute for Advanced Research (CIFAR) AI chair program. Research at Perimeter Institute is supported in part by the Government of Canada through the Department of Innovation, Science and Economic Development and by the Province of Ontario through the Ministry of Colleges and Universities.

Appendix A: 2D periodic gated RNNs

In this appendix, we describe our implementation of a 2D gated RNN wave function for periodic systems, that can be used to approximate the ground states of the Hamiltonians considered in this paper. If we define

$$\begin{aligned} \mathbf{h}'_{i,j} &= [\mathbf{h}_{i-1,j}; \mathbf{h}_{i,j-1}; \mathbf{h}_{\text{mod}(i+1, L_x), j}; \mathbf{h}_{i, \text{mod}(j+1, L_y)}], \\ \boldsymbol{\sigma}'_{i,j} &= [\boldsymbol{\sigma}_{i-1,j}; \boldsymbol{\sigma}_{i,j-1}; \boldsymbol{\sigma}_{\text{mod}(i+1, L_x), j}; \boldsymbol{\sigma}_{i, \text{mod}(j+1, L_y)}], \end{aligned}$$

then our gated 2D RNN wave function ansatz is based on the following recursion relations:

$$\begin{aligned} \tilde{\mathbf{h}}_{i,j} &= \tanh(W[\boldsymbol{\sigma}'_{i,j}; \mathbf{h}'_{i,j}] + \mathbf{b}), \\ \mathbf{u}_{i,j} &= \text{sigmoid}(W_g[\boldsymbol{\sigma}'_{i,j}; \mathbf{h}'_{i,j}] + \mathbf{b}_g), \\ \mathbf{h}_{i,j} &= \mathbf{u}_{i,j} \odot \tilde{\mathbf{h}}_{i,j} + (1 - \mathbf{u}_{i,j}) \odot (U\mathbf{h}'_{i,j}). \end{aligned}$$

Here ‘ \odot ’ is the Hadamard (element-wise) product. A hidden state $\mathbf{h}_{i,j}$ can be obtained by combining a candidate state $\tilde{\mathbf{h}}_{i,j}$ and the neighboring hidden states $\mathbf{h}_{i-1,j}, \mathbf{h}_{i,j-1}, \mathbf{h}_{\text{mod}(i+1, L_x), j}, \mathbf{h}_{i, \text{mod}(j+1, L_y)}$. The update gate $\mathbf{u}_{i,j}$ determines how much of the candidate hidden state $\tilde{\mathbf{h}}_{i,j}$ will be taken into account and how much of the neighboring states will be considered. With this combination, it is possible to circumvent some limitations of the

vanishing gradient problems [89, 90]. The weight matrices W, W_g, U and the biases b, b_g are variational parameters of our RNN ansatz. The size of the hidden state $\mathbf{h}_{i,j}$ is a hyperparameter called the number of memory units or the hidden dimension and is denoted as d_h . Finally, to motivate the use of the gating mechanism, we highlight that a gated 2D RNN was found to be better than a non-gated 2D RNN for the task of finding the ground state of a 2D Heisenberg model [58].

Since we use an enlarged Hilbert space in our 2D RNN, we take $\boldsymbol{\sigma}_{ij}$ to be the concatenation of the one-hot encodings of the binary physical variables in each unit cell. In this case, if m is the number of physical variables per unit cell, then $\boldsymbol{\sigma}_{ij}$ has size $2m$. We also note that the size of the Softmax layer is taken as 2^m so we can autoregressively sample each unit cell variables at once.

Appendix B: Variational Monte Carlo and variance reduction

To optimize the energy expectation value of our RNN wave function $|\Psi_\theta\rangle$, we use the Variational Monte Carlo (VMC) scheme, which consists of using importance sampling to estimate the expectation value of the energy $E_\theta = \langle \Psi_\theta | \hat{H} | \Psi_\theta \rangle$ as follows [33, 61]:

$$E_\theta = \frac{1}{M} \sum_{i=1}^M E_{\text{loc}}(\boldsymbol{\sigma}^{(i)}),$$

where the local energies E_{loc} are defined as

$$E_{\text{loc}}(\boldsymbol{\sigma}) = \sum_{\boldsymbol{\sigma}'} H_{\boldsymbol{\sigma}\boldsymbol{\sigma}'} \frac{\Psi_\theta(\boldsymbol{\sigma}')}{\Psi_\theta(\boldsymbol{\sigma})}.$$

Here the configurations $\{\boldsymbol{\sigma}^{(i)}\}_{i=1}^M$ are sampled from our ansatz using autoregressive sampling. The choice of M is a hyperparameter that can be tuned. Furthermore, $E_{\text{loc}}(\boldsymbol{\sigma})$ can be efficiently computed for local Hamiltonians. Furthermore, the gradients can be estimated as [33]

$$\partial_\theta E_\theta = \frac{2}{M} \Re \left(\sum_{i=1}^M \partial_\theta \log \left(\Psi_\theta^*(\boldsymbol{\sigma}^{(i)}) \right) \left(E_{\text{loc}}(\boldsymbol{\sigma}^{(i)}) - E_\theta \right) \right).$$

For a stoquastic Hamiltonian \hat{H} [53], we can use a positive RNN wave function where the use of the real part \Re is not necessary. Importantly, subtracting the variational energy E_θ is helpful to achieve convergence as it reduces the variance of the gradients near convergence without biasing its expectation value as shown in Ref. [33]. The subtracted term is referred to as a baseline, which is typically used for the same purpose in the context of Reinforcement learning [91]. To demonstrate the noise reduction more rigorously compared to the intuition provided in Ref. [33], let us focus on the variance of the gradient with respect to a parameter θ in the set of the variational parameters $\boldsymbol{\theta}$, after subtracting the baseline. Here

we focus on the case of a positive ansatz wave function $\Psi_\theta(\boldsymbol{\sigma}) = \sqrt{P_\theta(\boldsymbol{\sigma})}$ that we used in our study. First of all, we define:

$$O_\theta(\boldsymbol{\sigma}) \equiv \partial_\theta \log(\Psi_\theta^*(\boldsymbol{\sigma})) = \frac{1}{2} \partial_\theta \log(P_\theta(\boldsymbol{\sigma})).$$

Thus, the gradient with a baseline can be written as:

$$\partial_\theta E_\theta = 2 \langle O_\theta(\boldsymbol{\sigma}) \bar{E}_{\text{loc}}(\boldsymbol{\sigma}) \rangle,$$

where $\bar{E}_{\text{loc}}(\boldsymbol{\sigma}) \equiv E_{\text{loc}}(\boldsymbol{\sigma}) - E_\theta$ and $\langle \cdot \rangle$ denotes an expectation value over the Born distribution $|\Psi_\theta(\boldsymbol{\sigma})|^2$. To estimate the gradients' noise, we look at the variance of the gradient estimator, which can be decomposed as follows:

$$\begin{aligned} \text{Var}(O_\theta \bar{E}_{\text{loc}}) &= \text{Var}(O_\theta E_{\text{loc}}) \\ &\quad - 2\text{Cov}(O_\theta E_{\text{loc}}, O_\theta E_\theta) + E_\theta^2 \text{Var}(O_\theta). \end{aligned}$$

Thus the variance reduction R , after subtracting the baseline, is given as:

$$\begin{aligned} R &\equiv \text{Var}(O_\theta \bar{E}_{\text{loc}}) - \text{Var}(O_\theta E_{\text{loc}}), \\ &= -2E_\theta \text{Cov}(O_\theta E_{\text{loc}}, O_\theta) + E_\theta^2 \text{Var}(O_\theta). \end{aligned}$$

Since the gradients' magnitude tends to near-zero values close to convergence, statistical errors are more likely to make the VMC optimization more challenging. We focus on this regime for this derivation to show the importance of the baseline in reducing noise. Thus, we assume that $E_{\text{loc}}(\boldsymbol{\sigma}) = E_\theta + \xi(\boldsymbol{\sigma})$, where the supremum of the local energy fluctuations is much smaller compared to the variational energy, i.e., $(\sup_{\boldsymbol{\sigma}} |\xi(\boldsymbol{\sigma})|) \ll E_\theta$. From this assumption, we can deduce that:

$$R = -2E_\theta^2 \text{Cov}(O_\theta, O_\theta) \tag{B1}$$

$$- 2E_\theta \text{Cov}(O_\theta \xi, O_\theta) + E_\theta^2 \text{Var}(O_\theta), \tag{B2}$$

$$= -E_\theta^2 \text{Var}(O_\theta) - 2E_\theta \text{Cov}(O_\theta \xi, O_\theta). \tag{B3}$$

The second term can be decomposed as follows:

$$\text{Cov}(O_\theta \xi, O_\theta) = \langle O_\theta^2 \xi \rangle - \langle O_\theta \xi \rangle \langle O_\theta \rangle. \tag{B4}$$

Since $\langle O_\theta \rangle = \frac{1}{2} \langle \partial_\theta \log(P_\theta) \rangle = 0$ [33, 91, 92], then we can bound the covariance term from above as:

$$\begin{aligned} \text{Cov}(O_\theta \xi, O_\theta) &\leq \left(\sup_{\boldsymbol{\sigma}} |\xi(\boldsymbol{\sigma})| \right) \langle O_\theta^2 \rangle, \\ &= \left(\sup_{\boldsymbol{\sigma}} |\xi(\boldsymbol{\sigma})| \right) \text{Var}(O_\theta), \\ &\ll E_\theta \text{Var}(O_\theta). \end{aligned}$$

Thus, we can conclude that the variance reduction R in Eq. (B3) is negative. This observation highlights the importance of the baseline in reducing the statistical noise of the energy gradients near convergence.

For a complex ansatz wave function $\Psi_\theta(\boldsymbol{\sigma}) = \sqrt{P_\theta(\boldsymbol{\sigma})} \exp(i\phi_\theta(\boldsymbol{\sigma}))$, the expectation value $\langle O_\theta \rangle =$

$\frac{1}{2}\langle\partial_{\theta}\log(P_{\theta})\rangle - i\langle\partial_{\theta}\phi_{\theta}\rangle = -i\langle\partial_{\theta}\phi_{\theta}\rangle$ is no longer equal zero in general. We leave the investigation of this case for future studies.

Similarly to the stochastic estimation of the variational energy using our ansatz, we can do the same for the estimation of the variational pseudo free energy F_{θ} in Eq. (5). More details can be found in the supplementary information of Ref. [62]. Finally, we note that the gradient steps in our numerical simulations are performed using Adam optimizer [93].

Appendix C: Hyperparameters

For all models studied in this paper, we note that for each annealing step, we perform $N_{\text{train}} = 5$ gradient steps. Concerning the learning rate η , we choose $\eta = 10^{-3}$ during the warmup phase and the annealing phase and we switch to a learning rate $\eta = 10^{-4}$ in the convergence phase. We finally note that we set the number of convergence steps as $N_{\text{convergence}} = 10000$. In Tab. II, we provide further details about the hyperparameters we choose in our study for the different models. The meaning of each hyperparameter related to annealing is discussed in detail in Refs. [58, 62].

Additionally, we use $M_e = 2 \times 10^6$ samples for the estimation of the entanglement entropy along with their error bars for the toric code. For the Bose-Hubbard model we use $M_e = 10^7$ samples to reduce the error bars on the TEE in Fig. 6. To estimate the TEE uncertainty from the Kitaev-Preskill construction, we use the standard deviation expression of the sum of independent random variables [94].

Finally, we note that to avoid fine-tuning the learning rate for each value of V (between 4 and 13) in the Bose-Hubbard model, we target the normalized Hamiltonian

$$\hat{H} = -\frac{1}{V} \sum_{\langle i,j \rangle} (b_i^{\dagger} b_j + b_i b_j^{\dagger}) + \sum_{\square} n_{\square}^2 \quad (\text{C1})$$

in our numerical experiments.

Figures	Parameter	Value
2D toric code	Number of memory units	$d_h = 60$
	Number of samples	$M = 100$
	Initial pseudo-temperature	$T_0 = 2$
	Number of annealing steps	$N_{\text{annealing}} = 4000$
Bose-Hubbard model ($L = 6$)	Number of memory units	$d_h = 100$
	Number of samples	$M = 500$
	Initial pseudo-temperature	$T_0 = 1$
	Number of annealing steps	$N_{\text{annealing}} = 10000$
Bose-Hubbard model ($L = 8$)	Number of memory units	$d_h = 100$
	Number of samples	$M = 500$
	Pseudo-temperature	$T_0 = 0$
	Number of steps	10000

Table II. A summary of the hyperparameters used to obtain the results reported in this paper. Note that the number of samples M corresponds to the batch size used during the training phase. Additionally, the $L = 8$ RNN model is initialized with the $L = 6$ optimized RNN for the Bose-Hubbard model.

- [1] Subir Sachdev, *Quantum Phase Transitions*, 2nd ed. (Cambridge University Press, 2011).
- [2] Xiao-Gang Wen, “Topological order: From long-range entangled quantum matter to a unified origin of light and electrons,” *ISRN Condensed Matter Physics* **2013**, 1–20 (2013).
- [3] G. Semeghini, H. Levine, A. Keesling, S. Ebadi, T. T. Wang, D. Bluvstein, R. Verresen, H. Pichler, M. Kalinowski, R. Samajdar, A. Omran, S. Sachdev, A. Vishwanath, M. Greiner, V. Vuletić, and M. D. Lukin, “Probing topological spin liquids on a programmable quantum simulator,” *Science* **374**, 1242–1247 (2021).
- [4] K. J. Satzinger, Y.-J. Liu, A. Smith, C. Knapp, M. Newman, C. Jones, Z. Chen, C. Quintana, X. Mi, A. Dunsworth, C. Gidney, I. Aleiner, F. Arute, K. Arya, J. Atalaya, R. Babbush, J. C. Bardin, R. Barends, J. Basso, A. Bengtsson, A. Bilmes, M. Broughton, B. B. Buckley, D. A. Buell, B. Burkett, N. Bushnell, B. Chiaro, R. Collins, W. Courtney, S. Demura, A. R. Derk, D. Eppens, C. Erickson, L. Faoro, E. Farhi, A. G. Fowler, B. Foxen, M. Giustina, A. Greene, J. A. Gross, M. P. Harrigan, S. D. Harrington, J. Hilton, S. Hong, T. Huang, W. J. Huggins, L. B. Ioffe, S. V. Isakov, E. Jeffrey, Z. Jiang, D. Kafri, K. Kechedzhi, T. Khattar, S. Kim, P. V. Klimov, A. N. Korotkov, F. Kostritsa, D. Landhuis, P. Laptev, A. Locharla, E. Lucero, O. Martin, J. R. McClean, M. McEwen, K. C. Miao, M. Mohseni, S. Montazeri, W. Mruczkiewicz, J. Mutus, O. Naaman, M. Neeley, C. Neill, M. Y. Niu, T. E. O’Brien, A. Opremcak, B. Pató, A. Petukhov, N. C. Rubin, D. Sank, V. Shvarts, D. Strain, M. Szalay, B. Villalonga, T. C. White, Z. Yao, P. Yeh, J. Yoo, A. Zalcman, H. Neven, S. Boixo, A. Megrant, Y. Chen, J. Kelly, V. Smelyanskiy, A. Kitaev, M. Knap, F. Pollmann, and P. Roushan, “Realizing topologically ordered states on a quantum processor,” *Science* **374**, 1237–1241 (2021).
- [5] Eric Dennis, Alexei Kitaev, Andrew Landahl, and John Preskill, “Topological quantum memory,” *Journal of Mathematical Physics* **43**, 4452–4505 (2002).
- [6] Alexei Kitaev, “Anyons in an exactly solved model and beyond,” *Annals of Physics January Special Issue*, **321**, 2–111 (2006).
- [7] Alexei Kitaev and Chris Laumann, “Topological phases and quantum computation,” (2009), arXiv:0904.2771 [cond-mat.mes-hall].
- [8] Sebastian Krinner, Nathan Lacroix, Ants Remm, Agustin Di Paolo, Elie Genois, Catherine Leroux, Christoph Hellings, Stefania Lazar, Francois Swiadek, Johannes Herrmann, Graham J. Norris, Christian Kraglund Andersen, Markus Müller, Alexandre Blais, Christopher Eichler, and Andreas Wallraff, “Realizing repeated quantum error correction in a distance-three surface code,” *Nature* **605**, 669–674 (2022).
- [9] V. V. Sivak, A. Eickbusch, B. Royer, S. Singh, I. Tsioutsios, S. Ganjam, A. Miano, B. L. Brock, A. Z. Ding, L. Frunzio, S. M. Girvin, R. J. Schoelkopf, and M. H. Devoret, “Real-time quantum error correction beyond break-even,” *Nature* **616**, 50–55 (2023).
- [10] Rajeev Acharya, Igor Aleiner, Richard Allen, Trond I. Andersen, Markus Ansmann, Frank Arute, Kunal Arya, Abraham Asfaw, Juan Atalaya, Ryan Babbush, Dave Bacon, Joseph C. Bardin, Joao Basso, Andreas Bengtsson, Sergio Boixo, Gina Bortoli, Alexandre Bourassa, Jenna Bovaird, Leon Brill, Michael Broughton, Bob B. Buckley, David A. Buell, Tim Burger, Brian Burkett, Nicholas Bushnell, Yu Chen, Zijun Chen, Ben Chiaro, Josh Coogan, Roberto Collins, Paul Conner, William Courtney, Alexander L. Crook, Ben Curtin, Dripto M. Debroy, Alexander Del Toro Barba, Sean Demura, Andrew Dunsworth, Daniel Eppens, Catherine Erickson, Lara Faoro, Edward Farhi, Reza Fatemi, Leslie Flores Burgos, Ebrahim Forati, Austin G. Fowler, Brooks Foxen, William Giang, Craig Gidney, Dar Gilboa, Marissa Giustina, Alejandro Grajales Dau, Jonathan A. Gross, Steve Habegger, Michael C. Hamilton, Matthew P. Harrigan, Sean D. Harrington, Oscar Higgott, Jeremy Hilton, Markus Hoffmann, Sabrina Hong, Trent Huang, Ashley Huff, William J. Huggins, Lev B. Ioffe, Sergei V. Isakov, Justin Iveland, Evan Jeffrey, Zhang Jiang, Cody Jones, Pavol Juhas, Dvir Kafri, Kostyantyn Kechedzhi, Julian Kelly, Tanuj Khattar, Mostafa Khezri, Mária Kieferová, Seon Kim, Alexei Kitaev, Paul V. Klimov, Andrey R. Klots, Alexander N. Korotkov, Fedor Kostritsa, John Mark Kreikebaum, David Landhuis, Pavel Laptev, Kim-Ming Lau, Lily Laws, Joonho Lee, Kenny Lee, Brian J. Lester, Alexander Lill, Wayne Liu, Aditya Locharla, Erik Lucero, Fionn D. Malone, Jeffrey Marshall, Orion Martin, Jarrod R. McClean, Trevor McCourt, Matt McEwen, Anthony Megrant, Bernardo Meurer Costa, Xiao Mi, Kevin C. Miao, Masoud Mohseni, Shirin Montazeri, Alexis Morvan, Emily Mount, Wojciech Mruczkiewicz, Ofer Naaman, Matthew Neeley, Charles Neill, Ani Nersisyan, Hartmut Neven, Michael Newman, Jiun How Ng, Anthony Nguyen, Murray Nguyen, Murphy Yuezhen Niu, Thomas E. O’Brien, Alex Opremcak, John Platt, Andre Petukhov, Rebecca Potter, Leonid P. Pryadko, Chris Quintana, Pedram Roushan, Nicholas C. Rubin, Negar Saei, Daniel Sank, Kannan Sankaragomathi, Kevin J. Satzinger, Henry F. Schurkus, Christopher Schuster, Michael J. Shearn, Aaron Shorter, Vladimir Shvarts, Jindra Skrzny, Vadim Smelyanskiy, W. Clarke Smith, George Sterling, Doug Strain, Marco Szalay, Alfredo Torres, Guifre Vidal, Benjamin Villalonga, Catherine Vollgraf Heidweiller, Theodore White, Cheng Xing, Z. Jamie Yao, Ping Yeh, Juhwan Yoo, Grayson Young, Adam Zalcman, Yaxing Zhang, Ningfeng Zhu, and Google Quantum AI, “Suppressing quantum errors by scaling a surface code logical qubit,” *Nature* **614**, 676–681 (2023).
- [11] Michael Levin and Xiao-Gang Wen, “Detecting topological order in a ground state wave function,” *Physical Review Letters* **96** (2006), 10.1103/physrevlett.96.110405.
- [12] Alexei Kitaev and John Preskill, “Topological entanglement entropy,” *Phys. Rev. Lett.* **96**, 110404 (2006).
- [13] Alioscia Hamma, Radu Ionicioiu, and Paolo Zanardi, “Bipartite entanglement and entropic boundary law in lattice spin systems,” *Physical Review A* **71** (2005), 10.1103/physreva.71.022315.
- [14] Sergei V. Isakov, Matthew B. Hastings, and Roger G. Melko, “Topological entanglement entropy of a Bose–Hubbard spin liquid,” *Nature Physics* **7**, 772–775 (2011).

- [15] Julia Wildeboer, Alexander Seidel, and Roger G. Melko, “Entanglement entropy and topological order in resonating valence-bond quantum spin liquids,” *Physical Review B* **95** (2017), 10.1103/physrevb.95.100402.
- [16] Jiarui Zhao, Bin-Bin Chen, Yan-Cheng Wang, Zheng Yan, Meng Cheng, and Zi Yang Meng, “Measuring rényi entanglement entropy with high efficiency and precision in quantum monte carlo simulations,” *npj Quantum Materials* **7** (2022), 10.1038/s41535-022-00476-0.
- [17] Hong-Chen Jiang, Zhenghan Wang, and Leon Balents, “Identifying topological order by entanglement entropy,” *Nature Physics* **8**, 902–905 (2012).
- [18] Hong-Chen Jiang and Leon Balents, “Collapsing schrödinger cats in the density matrix renormalization group,” (2013), 10.48550/ARXIV.1309.7438.
- [19] Juan Carrasquilla and Roger G. Melko, “Machine learning phases of matter,” *Nature Physics* **13**, 431–434 (2017).
- [20] Peter Broecker, Juan Carrasquilla, Roger G. Melko, and Simon Trebst, “Machine learning quantum phases of matter beyond the fermion sign problem,” *Scientific Reports* **7**, 8823 (2017).
- [21] Kelvin Ch’ng, Juan Carrasquilla, Roger G. Melko, and Ehsan Khatami, “Machine learning phases of strongly correlated fermions,” *Phys. Rev. X* **7**, 031038 (2017).
- [22] Cole Miles, Rhine Samajdar, Sepehr Ebadi, Tout T. Wang, Hannes Pichler, Subir Sachdev, Mikhail D. Lukin, Markus Greiner, Kilian Q. Weinberger, and Eun-Ah Kim, “Machine learning discovery of new phases in programmable quantum simulator snapshots,” (2021), 10.48550/ARXIV.2112.10789.
- [23] Giacomo Torlai, Guglielmo Mazzola, Juan Carrasquilla, Matthias Troyer, Roger Melko, and Giuseppe Carleo, “Neural-network quantum state tomography,” *Nature Physics* **14**, 447–450 (2018).
- [24] Juan Carrasquilla, Giacomo Torlai, Roger G. Melko, and Leandro Aolita, “Reconstructing quantum states with generative models,” *Nature Machine Intelligence* **1**, 155–161 (2019).
- [25] J. Androsiuk, L. Kulak, and K. Sienicki, “Neural network solution of the Schrödinger equation for a two-dimensional harmonic oscillator,” *Chemical Physics* **173**, 377–383 (1993).
- [26] “Artificial neural network methods in quantum mechanics,” *Computer Physics Communications* **104**, 1 – 14 (1997).
- [27] Giuseppe Carleo and Matthias Troyer, “Solving the quantum many-body problem with artificial neural networks,” *Science* **355**, 602–606 (2017).
- [28] Zi Cai and Jinguo Liu, “Approximating quantum many-body wave functions using artificial neural networks,” *Phys. Rev. B* **97**, 035116 (2018).
- [29] Di Luo and Bryan K. Clark, “Backflow transformations via neural networks for quantum many-body wave functions,” *Phys. Rev. Lett.* **122**, 226401 (2019).
- [30] David Pfau, James S. Spencer, Alexander G. D. G. Matthews, and W. M. C. Foulkes, “Ab initio solution of the many-electron schrödinger equation with deep neural networks,” *Physical Review Research* **2** (2020), 10.1103/physrevresearch.2.033429.
- [31] Jan Hermann, Zeno Schätzle, and Frank Noé, “Deep-neural-network solution of the electronic schrödinger equation,” *Nature Chemistry* **12**, 891–897 (2020).
- [32] Kenny Choo, Antonio Mezzacapo, and Giuseppe Carleo, “Fermionic neural-network states for ab-initio electronic structure,” *Nature Communications* **11**, 2368 (2020).
- [33] Mohamed Hibat-Allah, Martin Ganahl, Lauren E. Hayward, Roger G. Melko, and Juan Carrasquilla, “Recurrent neural network wave functions,” *Physical Review Research* **2** (2020), 10.1103/physrevresearch.2.023358.
- [34] Christopher Roth, “Iterative retraining of quantum spin models using recurrent neural networks,” (2020), arXiv:2003.06228 [physics.comp-ph].
- [35] Filippo Vicentini, Alberto Biella, Nicolas Regnault, and Cristiano Ciuti, “Variational neural-network ansatz for steady states in open quantum systems,” *Phys. Rev. Lett.* **122**, 250503 (2019).
- [36] Di Luo, Zhuo Chen, Juan Carrasquilla, and Bryan K. Clark, “Autoregressive neural network for simulating open quantum systems via a probabilistic formulation,” *Phys. Rev. Lett.* **128**, 090501 (2022).
- [37] Bjarni Jónsson, Bela Bauer, and Giuseppe Carleo, “Neural-network states for the classical simulation of quantum computing,” (2018), 10.48550/ARXIV.1808.05232.
- [38] Matija Medvidović and Giuseppe Carleo, “Classical variational simulation of the quantum approximate optimization algorithm,” *npj Quantum Information* **7**, 101 (2021).
- [39] Juan Carrasquilla, Di Luo, Felipe Pérez, Ashley Milsted, Bryan K. Clark, Maksims Volkovs, and Leandro Aolita, “Probabilistic simulation of quantum circuits using a deep-learning architecture,” *Phys. Rev. A* **104**, 032610 (2021).
- [40] Vedran Dunjko and Hans J. Briegel, “Machine learning & artificial intelligence in the quantum domain: A review of recent progress,” *Reports on Progress in Physics* **81**, 074001 (2018).
- [41] Giuseppe Carleo, Ignacio Cirac, Kyle Cranmer, Laurent Daudet, Maria Schuld, Naftali Tishby, Leslie Vogt-Maranto, and Lenka Zdeborová, “Machine learning and the physical sciences,” *Rev. Mod. Phys.* **91**, 045002 (2019).
- [42] Juan Carrasquilla, “Machine learning for quantum matter,” *Advances in Physics: X* **5**, 1797528 (2020).
- [43] Anna Dawid, Julian Arnold, Borja Requena, Alexander Gresch, Marcin Płodzień, Kaelan Donatella, Kim A. Nicoli, Paolo Stornati, Rouven Koch, Miriam Büttner, Robert Okuła, Gorka Muñoz-Gil, Rodrigo A. Vargas-Hernández, Alba Cervera-Lierta, Juan Carrasquilla, Vedran Dunjko, Marylou Gabrié, Patrick Huembeli, Evert van Nieuwenburg, Filippo Vicentini, Lei Wang, Sebastian J. Wetzel, Giuseppe Carleo, Eliška Greplová, Roman Krems, Florian Marquardt, Michał Tomza, Maciej Lewenstein, and Alexandre Dauphin, “Modern applications of machine learning in quantum sciences,” (2022), 10.48550/arXiv.2204.04198, arXiv:2204.04198 [cond-mat, physics:quant-ph].
- [44] Dong-Ling Deng, Xiaopeng Li, and S. Das Sarma, “Machine learning topological states,” *Physical Review B* **96** (2017), 10.1103/physrevb.96.195145.
- [45] Ivan Glasser, Nicola Pancotti, Moritz August, Ivan D. Rodriguez, and J. Ignacio Cirac, “Neural-network quantum states, string-bond states, and chiral topological states,” *Physical Review X* **8** (2018), 10.1103/physrevx.8.011006.
- [46] Jing Chen, Song Cheng, Haidong Xie, Lei Wang, and Tao Xiang, “Equivalence of restricted Boltzmann machines and tensor network states,” *Physical Review B*

- 97, 085104 (2018).
- [47] Sirui Lu, Xun Gao, and L.-M. Duan, “Efficient representation of topologically ordered states with restricted boltzmann machines,” *Phys. Rev. B* **99**, 155136 (2019).
- [48] Di Luo, Zhuo Chen, Kaiwen Hu, Zhizhen Zhao, Vera Mikiyoung Hur, and Bryan K. Clark, “Gauge invariant autoregressive neural networks for quantum lattice models,” (2021), arXiv:2101.07243 [cond-mat.str-el].
- [49] Sepp Hochreiter and Jürgen Schmidhuber, “Long short-term memory,” *Neural Comput.* **9**, 1735–1780 (1997).
- [50] Alex Graves, “Supervised sequence labelling,” in *Supervised sequence labelling with recurrent neural networks* (Springer, 2012) pp. 5–13.
- [51] Zachary C. Lipton, John Berkowitz, and Charles Elkan, “A critical review of recurrent neural networks for sequence learning,” (2015), arXiv:1506.00019 [cs.LG].
- [52] S. V. Isakov, Yong Baek Kim, and A. Paramekanti, “Spin-liquid phase in a spin-1/2 quantum magnet on the kagome lattice,” *Phys. Rev. Lett.* **97**, 207204 (2006).
- [53] Sergey Bravyi, “Monte carlo simulation of stoquastic hamiltonians,” (2015), arXiv:1402.2295 [quant-ph].
- [54] Andrew J. Ferris and Guifre Vidal, “Perfect sampling with unitary tensor networks,” *Physical Review B* **85** (2012), 10.1103/physrevb.85.165146.
- [55] Alex Graves, Santiago Fernandez, and Juergen Schmidhuber, “Multi-dimensional recurrent neural networks,” (2007), arXiv:0705.2011 [cs.AI].
- [56] Ajay Jain, Pieter Abbeel, and Deepak Pathak, “Locally masked convolution for autoregressive models,” (2020), arXiv:2006.12486 [cs.LG].
- [57] Corneel Casert, Tom Vieijra, Stephen Whitelam, and Isaac Tamblyn, “Dynamical large deviations of two-dimensional kinetically constrained models using a neural-network state ansatz,” *Phys. Rev. Lett.* **127**, 120602 (2021).
- [58] Mohamed Hibat-Allah, Roger G Melko, and Juan Carrasquilla, “Supplementing recurrent neural network wave functions with symmetry and annealing to improve accuracy,” *Machine Learning and the Physical Sciences (NeurIPS 2021)*.
- [59] Jonas Haferkamp, Dominik Hangleiter, Jens Eisert, and Marek Gluza, “Contracting projected entangled pair states is average-case hard,” *Physical Review Research* **2** (2020), 10.1103/physrevresearch.2.013010.
- [60] Laurens Vanderstraeten, Jutho Haegeman, Philippe Corboz, and Frank Verstraete, “Gradient methods for variational optimization of projected entangled-pair states,” *Physical Review B* **94** (2016), 10.1103/physrevb.94.155123.
- [61] Federico Becca and Sandro Sorella, *Quantum Monte Carlo Approaches for Correlated Systems* (Cambridge University Press, 2017).
- [62] Mohamed Hibat-Allah, Estelle M. Inack, Roeland Wiersema, Roger G. Melko, and Juan Carrasquilla, “Variational neural annealing,” *Nature Machine Intelligence* (2021), 10.1038/s42256-021-00401-3.
- [63] Marin Bukov, Markus Schmitt, and Maxime Dupont, “Learning the ground state of a non-stoquastic quantum hamiltonian in a rugged neural network landscape,” *SciPost Physics* **10** (2021), 10.21468/scipostphys.10.6.147.
- [64] Christopher Roth, Attila Szabó, and Allan MacDonald, “High-accuracy variational monte carlo for frustrated magnets with deep neural networks,” (2022), 10.48550/ARXIV.2211.07749.
- [65] Shoummo Ahsan Khandoker, Jawaril Munshad Abedin, and Mohamed Hibat-Allah, “Supplementing recurrent neural networks with annealing to solve combinatorial optimization problems,” *Machine Learning: Science and Technology* **4**, 015026 (2023).
- [66] Alioscia Hamma, Radu Ionicioiu, and Paolo Zanardi, “Ground state entanglement and geometric entropy in the kitaev model,” *Physics Letters A* **337**, 22–28 (2005).
- [67] Steven T. Flammia, Alioscia Hamma, Taylor L. Hughes, and Xiao-Gang Wen, “Topological entanglement rényi entropy and reduced density matrix structure,” *Physical Review Letters* **103** (2009), 10.1103/physrevlett.103.261601.
- [68] Yi Zhang, Tarun Grover, Ari Turner, Masaki Oshikawa, and Ashvin Vishwanath, “Quasiparticle statistics and braiding from ground-state entanglement,” *Physical Review B* **85** (2012), 10.1103/physrevb.85.235151.
- [69] Isaac H. Kim, Michael Levin, Ting-Chun Lin, Daniel Rnarnard, and Bowen Shi, “Universal lower bound on topological entanglement entropy,” (2023), arXiv:2302.00689 [cond-mat, physics:quant-ph].
- [70] Matthew B. Hastings, Iván González, Ann B. Kallin, and Roger G. Melko, “Measuring renyi entanglement entropy in quantum monte carlo simulations,” *Physical Review Letters* **104** (2010), 10.1103/physrevlett.104.157201.
- [71] Zhaoyou Wang and Emily J. Davis, “Calculating rényi entropies with neural autoregressive quantum states,” *Physical Review A* **102** (2020), 10.1103/physreva.102.062413.
- [72] Shunsuke Furukawa and Grégoire Misguich, “Topological entanglement entropy in the quantum dimer model on the triangular lattice,” *Physical Review B* **75** (2007), 10.1103/physrevb.75.214407.
- [73] E.M. Stoudenmire and Steven R. White, “Studying two-dimensional systems with the density matrix renormalization group,” *Annual Review of Condensed Matter Physics* **3**, 111–128 (2012).
- [74] Shou-Shu Gong, Wei Zhu, D. N. Sheng, Olexei I. Motrunich, and Matthew P. A. Fisher, “Plaquette ordered phase and quantum phase diagram in the spin- $\frac{1}{2}$ J_1 - J_2 square heisenberg model,” *Phys. Rev. Lett.* **113**, 027201 (2014).
- [75] Rhine Samajdar, Wen Wei Ho, Hannes Pichler, Mikhail D. Lukin, and Subir Sachdev, “Quantum phases of rydberg atoms on a kagome lattice,” *Proceedings of the National Academy of Sciences* **118**, e2015785118 (2021).
- [76] Ashley Milsted, Martin Ganahl, Stefan Leichenauer, Jack Hidary, and Guifre Vidal, “Tensorflow on tensorflow: A spin chain application using tree tensor networks,” (2019), 10.48550/ARXIV.1905.01331.
- [77] Dian Wu, Riccardo Rossi, Filippo Vicentini, and Giuseppe Carleo, “From tensor network quantum states to tensorial recurrent neural networks,” (2022), 10.48550/ARXIV.2206.12363.
- [78] Note that this choice allows minimizing the boundary size as opposed to a square region in the bulk. This feature is desirable since the swap operator used to estimate the second Rényi entropy [33] becomes very small, and thus more sensitive to statistical errors when the boundary increases for a quantum system satisfying the area law.
- [79] Eduardo Fradkin, *Field Theories of Condensed Matter Physics*, 2nd ed. (Cambridge University Press, 2013).
- [80] Yan-Cheng Wang, Chen Fang, Meng Cheng, Yang Qi, and Zi Yang Meng, “Topological Spin Liq-

- uid with Symmetry-Protected Edge States,” (2017), arXiv:1701.01552 [cond-mat].
- [81] Bohdan Kulchytsky, C. M. Herdman, Stephen Inglis, and Roger G. Melko, “Detecting goldstone modes with entanglement entropy,” *Physical Review B* **92** (2015), 10.1103/physrevb.92.115146.
- [82] Elizabeth R. Bennewitz, Florian Hopfmueller, Bohdan Kulchytsky, Juan Felipe Carrasquilla, and Pooya Ronagh, “Neural error mitigation of near-term quantum simulations,” ArXiv (2021), 2105.08086.
- [83] Stefanie Czischek, M. Schuyler Moss, Matthew Radzihovsky, Ejaaz Merali, and Roger G. Melko, “Data-enhanced variational monte carlo simulations for rydberg atom arrays,” *Physical Review B* **105** (2022), 10.1103/physrevb.105.205108.
- [84] Yusuke Nomura, “Helping restricted boltzmann machines with quantum-state representation by restoring symmetry,” *Journal of Physics: Condensed Matter* **33**, 174003 (2021).
- [85] Ruben Verresen, Mikhail D. Lukin, and Ashvin Vishwanath, “Prediction of toric code topological order from rydberg blockade,” *Physical Review X* **11** (2021), 10.1103/physrevx.11.031005.
- [86] Giuliano Giudici, Mikhail D Lukin, and Hannes Pichler, “Dynamical preparation of quantum spin liquids in rydberg atom arrays,” (2022), arXiv:2202.09372 [quant-ph].
- [87] Martín Abadi, Ashish Agarwal, Paul Barham, Eugene Brevdo, Zhifeng Chen, Craig Citro, Greg S. Corrado, Andy Davis, Jeffrey Dean, Matthieu Devin, Sanjay Ghemawat, Ian Goodfellow, Andrew Harp, Geoffrey Irving, Michael Isard, Yangqing Jia, Rafal Jozefowicz, Lukasz Kaiser, Manjunath Kudlur, Josh Levenberg, Dandelion Mané, Rajat Monga, Sherry Moore, Derek Murray, Chris Olah, Mike Schuster, Jonathon Shlens, Benoit Steiner, Ilya Sutskever, Kunal Talwar, Paul Tucker, Vincent Vanhoucke, Vijay Vasudevan, Fernanda Viégas, Oriol Vinyals, Pete Warden, Martin Wattenberg, Martin Wicke, Yuan Yu, and Xiaoqiang Zheng, “TensorFlow: Large-scale machine learning on heterogeneous systems,” (2015), software available from tensorflow.org.
- [88] Charles R. Harris, K. Jarrod Millman, Stéfan J. van der Walt, Ralf Gommers, Pauli Virtanen, David Cournapeau, Eric Wieser, Julian Taylor, Sebastian Berg, Nathaniel J. Smith, Robert Kern, Matti Picus, Stephan Hoyer, Marten H. van Kerkwijk, Matthew Brett, Allan Haldane, Jaime Fernández del Río, Mark Wiebe, Pearu Peterson, Pierre Gérard-Marchant, Kevin Sheppard, Tyler Reddy, Warren Weckesser, Hameer Abbasi, Christoph Gohlke, and Travis E. Oliphant, “Array programming with numpy,” *Nature* **585**, 357–362 (2020).
- [89] Guo-Bing Zhou, Jianxin Wu, Chen-Lin Zhang, and Zhi-Hua Zhou, “Minimal gated unit for recurrent neural networks,” (2016), arXiv:1603.09420 [cs.NE].
- [90] Huitao Shen, “Mutual information scaling and expressive power of sequence models,” (2019), arXiv:1905.04271 [cs.LG].
- [91] Shakir Mohamed, Mihaela Rosca, Michael Figurnov, and Andriy Mnih, “Monte carlo gradient estimation in machine learning,” (2019), arXiv:1906.10652 [stat.ML].
- [92] Richard S Sutton, David A McAllester, Satinder P Singh, and Yishay Mansour, “Policy gradient methods for reinforcement learning with function approximation,” in *Advances in neural information processing systems* (2000) pp. 1057–1063.
- [93] Diederik P. Kingma and Jimmy Ba, “Adam: A method for stochastic optimization,” in *3rd International Conference on Learning Representations, ICLR 2015, San Diego, CA, USA, May 7-9, 2015, Conference Track Proceedings*, edited by Yoshua Bengio and Yann LeCun (2015).
- [94] Harry H Ku *et al.*, “Notes on the use of propagation of error formulas,” *Journal of Research of the National Bureau of Standards* **70** (1966).