

**Exact coefficients of finite-size corrections in the Ising model with
Brascamp-Kunz boundary conditions and their relationships for
strip and cylindrical geometries**

Nickolay Izmailian*

*A. Alikhanyan National Laboratory (Yerevan Physics Institute),
Alikhanian Brothers 2, 375036 Yerevan, Armenia*

R. Kenna[†]

*Statistical Physics Research Group,
Fluid and Complex Systems Research Centre,
Coventry University, Coventry, CV1 5FB, England, UK*

Vi.V. Papoyan[‡]

*Bogoliubov Laboratory of Theoretical Physics,
Joint Institute for Nuclear Research, 141980 Dubna, Russia and
Dubna State University, 141980 Dubna, Russia*

(Dated: September 18, 2023)

Abstract

We derive exact finite-size corrections for the free energy F of the Ising model on the $\mathcal{M} \times 2\mathcal{N}$ square lattice with Brascamp-Kunz boundary conditions. We calculate ratios $r_p(\rho)$ of p th coefficients of F for the infinitely long cylinder ($\mathcal{M} \rightarrow \infty$) and the infinitely long Brascamp-Kunz strip ($\mathcal{N} \rightarrow \infty$) at varying values of the aspect ratio $\rho = (\mathcal{M} + 1)/2\mathcal{N}$. Like previous studies have shown for the two-dimensional dimer model, the limiting values $p \rightarrow \infty$ of $r_p(\rho)$ exhibit abrupt anomalous behaviour at certain values of ρ . These critical values of ρ and the limiting values of the finite-size-expansion-coefficient ratios differ, however, between the two models.

PACS numbers: 05.50+q, 75.10-b

I. INTRODUCTION

Introduced by Fisher and Barber in 1972, finite-size scaling is an essential tool for the study of thermodynamic properties of systems of any dimensionality [1]. It enables critical and non-critical properties of infinite systems to be extracted from their finite-size analogues. Finite systems necessarily have boundaries and these have to be consistently accounted for even if they play no role in the thermodynamic limit. The roles played by boundary conditions are therefore essential in the study of critical phenomena.

Analytical and exact results have key roles in determination of correct forms for finite-size scaling. Unlike simulational approaches they are devoid of stochastic error and as such are essential for deeper insights into the roles of boundary conditions. However, very few models have yielded to analytical or exact approaches. Amongst those who have, the dimer and Ising models in low dimensions are prime examples.

In Ref.[8], Izmailian, Papoyan and Ziff recently considered the dimer model on the rectangular $2M \times 2N$ lattice with free boundary conditions. In doing so, they built on work by Kasteleyn [2], as well as by Temperley and Fisher [3], who in the 1960's found the first few coefficients of the asymptotic expansion of the free energy. This is still considered as one of the most important exact results of fundamental statistical mechanics. Izmailian, Papoyan and Ziff derived exact expressions for these coefficients in terms of the elliptic theta functions

* izmail@yerphi.am

† r.kenna@coventry.ac.uk

‡ vpap@theor.jinr.ru

$\theta_2, \theta_3, \theta_4$ and the elliptic integral of second kind E , up to 22nd order. A main outcome of their work was an “intriguing and unexplained simple relation between the coefficients in the asymptotic series for a square, rectangle, and strip, in the limit of high order” [8].

In particular, they considered the dimer model on a $2M \times 2N$ lattice with aspect ratio $\rho = M/N$. If $f_p(\rho)$ are the finite-size correction terms [coefficients of powers of $(MN)^{-(p+1)}$] in the expansion of the free energy, and if their values are $f_p^{\text{sq}} = f_p(1)$ for the square lattice, the ratio

$$r_p(\rho) = \frac{f_p(\rho)\rho^{-p-1}}{f_p^{\text{sq}}} \quad (1)$$

abruptly jumps from $r_p = 1/2$ when $\rho > 1$ to $r_p = 1$ at $\rho = 1$ in the infinite p limit. (Invariance of finite-size scaling correction terms $t_p(\rho)$ under $\rho \rightarrow 1/\rho$ ensures a similar relation for $\rho < 1/2$.) The limit $M \rightarrow \infty$ (with finite N) delivers a strip geometry and, as shown in Ref.[8], with $f_p^{\text{str}} = \lim_{\rho \rightarrow \infty} f_p(\rho)\rho^{-p-1}$, one also therefore finds that $r_p = f_p^{\text{str}}/f_p^{\text{sq}}$ in the limit of large p also reaches these values.

The existence of an abrupt jump at a specific value of the aspect ratio was described in Ref.[8] as “very surprising” and the authors did “not have any physical explanation why those ratios should be finite and equal $1/2$ ” (or 1). To gain further insight, the authors suggested consideration of other accessible models. One of these is the Ising model with Brascamp–Kunz (BK) boundary conditions, and that is the subject of this paper.

The rectangular lattice Ising model with BK boundary conditions is an iconic example of a model allowing an exact solution [4]. Janke and Kenna derived exact expressions for the finite-size scaling of the Fisher zeros, the critical specific heat, the effective critical points, and the specific-heat peak in Ref.[5]. At the same time, Izmailian, Oganesyanyan and Hu analyzed finite-size corrections for the free energy and the specific heat for the model [6]. The approach that was used in this work had been proposed by Ivashkevich Izmailian and Hu in [7]. It is a systematic method to compute the finite-size corrections for the partition function of free models on a torus, including the dimer Ising and Gaussian models on a rectangular lattice. In particular they derive all terms of the exact asymptotic expansion of the logarithm of the partition function on a torus for a class of free exactly solvable models of statistical mechanics. This approach is based on an intimate relation between the terms of the asymptotic expansion and Kronecker’s double series.

The objective of the present paper is to study similar ratios for the $\mathcal{M} \times 2\mathcal{N}$ Ising model with BK boundary conditions, because of the puzzles posed by Ref.[8]. In order to match

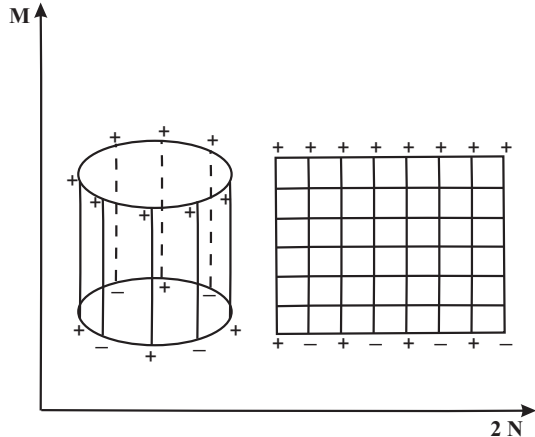


FIG. 1. The Brascamp - Kunz boundary conditions.

Ref.[8], we consider explicit calculations up to the 22nd order. We are especially interested in the $\mathcal{M} \rightarrow \infty$ limit, which gives an infinitely long cylinder, and the $\mathcal{N} \rightarrow \infty$ limit which delivers an infinitely-long strip. Our purpose is to find the higher-order asymptotic expansions in both cases. We develop two counterparts for Eq.(1) , depending on the aspect ratio $\rho = (\mathcal{M} + 1)/2\mathcal{N}$. Rather surprisingly, we find that these approach 1 for increasing p values provided $\rho \neq 1/2$, while they vanish precisely at $\rho = 1/2$ This abrupt change is similar to that observed in Ref.[8] but its location differs.

II. ISING MODEL UNDER BRASCAMP-KUNZ BOUNDARY CONDITIONS

We study the Ising model with $2\mathcal{N}$ sites in the x direction and \mathcal{M} sites in the y direction and BK boundary conditions. These are periodic in the x direction and fixed in the y direction. In particular, the spins are up (+1) along the upper border of the resulting cylinder and have alternating values (+1/-1) along the lower border as shown in Fig. 1. An even number ($2\mathcal{N}$) of sites in the x direction ensures an equal number of up and down spins along the lower border.

The Hamiltonian of the two dimensional Ising model is given by

$$\beta H = -J \sum_{\langle ij \rangle} s_i s_j \quad (2)$$

where s_i is the spin variable with two possible values +1 and -1, the sum runs over the nearest neighbor pairs of spins $\langle ij \rangle$ and J is exchange energy which incorporates the inverse temperature $\beta = 1/k_B T$.

The partition function of the Ising model is given by the sum over all spin configurations $\{s\}$ on the lattice

$$Z_{\text{Ising}}(J) = \sum_{\{s\}} e^{-\beta H(s)}. \quad (3)$$

For the BK boundary conditions, the Ising partition function on the $\mathcal{M} \times 2\mathcal{N}$ rectangular lattice ($Z_{\mathcal{M},2\mathcal{N}}$) given in Ref. [4] can be rewritten as [6]

$$Z_{\mathcal{M},2\mathcal{N}}^2 = \frac{(\sqrt{2}e^\mu)^{4\mathcal{M}\mathcal{N}}}{4 \cosh [2\mathcal{N}\omega_\mu(0)] \cosh [2\mathcal{N}\omega_\mu(\pi/2)]} Z_{1/2,0}(\mu), \quad (4)$$

where $\mu = 1/2 \ln \sinh 2J$ and

$$\omega_\mu(k) = \text{arcsinh} \sqrt{\sin^2 k + 2 \sinh^2 \mu} \quad (5)$$

is a lattice dispersion relation. Here $Z_{1/2,0}(\mu)$ is the partition function with twisted boundary conditions

$$Z_{1/2,0}^2(\mu) = \prod_{i=0}^{N-1} \prod_{j=0}^{M-1} 4 \left[\sin^2 \left(\frac{\pi(i+1/2)}{N} \right) + \sin^2 \left(\frac{\pi j}{M} \right) + 2 \sinh^2 \mu \right] \quad (6)$$

with $N = 2\mathcal{N}$ and $M = 2(\mathcal{M} + 1)$. The general theory about asymptotic expansion of $Z_{1/2,0}(\mu)$ has been given in Ref. [7].

For our further purposes it is useful to transform the partition function $Z_{1/2,0}(\mu)$ into the simpler form

$$Z_{1/2,0}(\mu) = \prod_{n=0}^{N-1} 2 \sinh \left[M \omega_\mu \left(\frac{\pi(n+1/2)}{N} \right) \right]. \quad (7)$$

III. ASYMPTOTIC EXPANSION OF THE FREE ENERGY AND RATIO OF COEFFICIENTS

The exact asymptotic expansion of the logarithm of the partition function with twisted boundary conditions at the critical point ($\mu = \mu_c = 0$) can be written as [6, 7]

$$\ln Z_{1/2,0}(0) = \frac{S}{\pi} \int_0^\pi \omega_0(x) dx + \ln \frac{\theta_4}{\eta} - 2\pi\xi \sum_{p=1}^{\infty} \left(\frac{\pi^2 \xi}{S} \right)^p \frac{\Lambda_{2p}}{(2p)!} \frac{\text{Re } K_{2p+2}^{1/2,0}(i\lambda\xi)}{2p+2} \quad (8)$$

Here $S = NM = 4\mathcal{N}(\mathcal{M} + 1)$, $\xi = M/N = (\mathcal{M} + 1)/\mathcal{N}$, $\eta = (\theta_2\theta_3\theta_4/2)^{1/3}$ is the Dedekind- η function; $\theta_2, \theta_3, \theta_4$ are elliptic θ -functions, $K_{2p+2}^{1/2,0}(i\lambda\xi)$ are Kronecker's double series [7, 9], $\int_0^\pi \omega_0(x) dx = 2G$ and $G = 0.915966\dots$ is Catalan's constant.

The differential operators Λ_{2p} that have appeared here can be expressed via coefficients λ_{2p} of the Taylor expansion of the lattice dispersion relation $\omega_0(k)$

$$\omega_0(k) = k \left(\lambda + \sum_{p=1}^{\infty} \frac{\lambda_{2p}}{(2p)!} k^{2p} \right) \quad (9)$$

where $\lambda = 1$, $\lambda_2 = -2/3$, $\lambda_4 = 4$, etc. The relations between differential operators Λ_{2p} and coefficients λ_{2p} can be found for example in [7, 8].

After reaching this point, using Eqs. (4), (5) and (8), one can easily write down the exact asymptotic expansion of the free energy, $F = -\ln Z_{\mathcal{M}, 2\mathcal{N}}$, at the critical point.

$$F = \mathcal{S} f_{\text{bulk}} + 2\mathcal{N} f_1 + f_0(\rho) + \sum_{p=1}^{\infty} \frac{f_p(\rho)}{\mathcal{S}^p} \quad (10)$$

Here \mathcal{S} is the area of the lattice with an additional row and ρ is the aspect ratio

$$\mathcal{S} = 2(\mathcal{M} + 1)\mathcal{N} \quad \text{and} \quad \rho = \frac{\mathcal{M} + 1}{2\mathcal{N}} \quad (11)$$

and

$$f_{\text{bulk}} = -\frac{1}{2} \ln 2 - \frac{2G}{\pi} = -0.929695\dots \quad (12)$$

$$f_1 = \frac{1}{2} \ln 2(1 + \sqrt{2}) = 0.78726\dots \quad (13)$$

$$f_0(\rho) = -\frac{1}{2} \ln \frac{\theta_4(2\rho)}{2\eta(2\rho)} = \frac{1}{2} \ln \frac{\theta_2(\rho)}{\eta(\rho)} \quad (14)$$

$$f_p(\rho) = \frac{\pi^{2p+1} \rho^{p+1}}{(2p)!(p+1)} \Lambda_{2p} \operatorname{Re} K_{2p+2}^{1/2,0}(2i\lambda\rho). \quad (15)$$

Now using expressions for $K_{2p+2}^{\frac{1}{2},0}(\rho)$ which are given in Supplementary Materials and the expressions for Λ_{2p} from [8], we can express the subleading correction terms $f_p(\rho)$ in the asymptotic expansion of the free energy for the Ising model on the $\mathcal{M} \times 2\mathcal{N}$ rectangular lattice with BK boundary conditions for any value of p in terms of the elliptic theta functions $\theta_2, \theta_3, \theta_4$ and the elliptic integral of the second kind E . In particular in this paper we have calculated the subleading correction terms f_p in terms of the elliptic functions the elliptic integral of the second kind up to $p = 22$. Due to very large expressions for $f_p(\rho)$ for $p > 5$ we have not listed those expressions in Appendix A.

We also obtained the relations between the coefficients for Laurent expansion of the Weierstrass function under transformations $\theta_2 \leftrightarrow \theta_4$, $\theta_3 \leftrightarrow \theta_4$ and $\theta_2 \leftrightarrow \theta_3$ (see Appendix

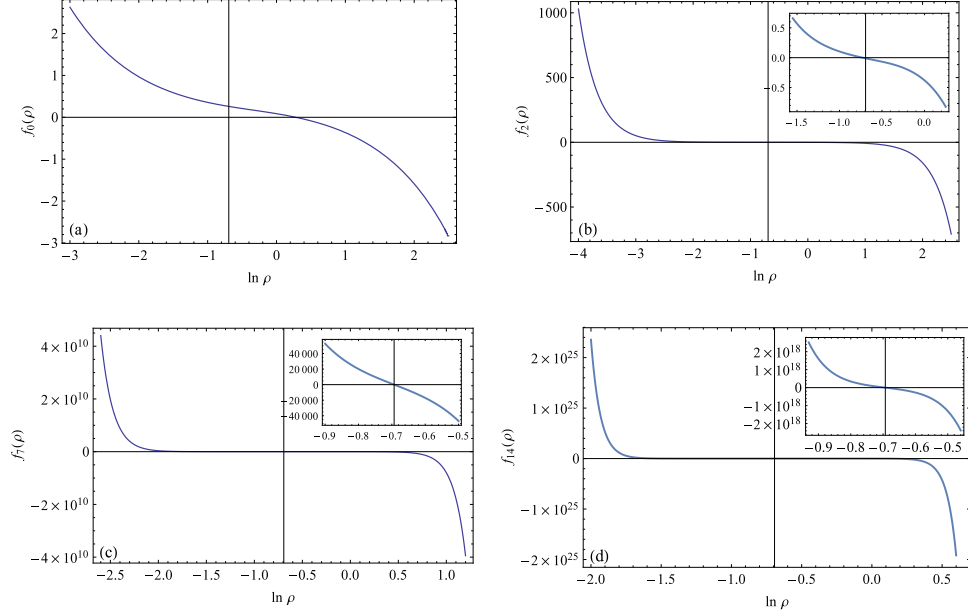


FIG. 2. The behavior of the correction terms $f_p(\rho)$ for (a) $p = 0$, (b) $p = 2$, (c) $p = 7$, and (d) $p = 14$.

B). The relations between Kronecker's double series $K_{2p}^{-1/2,1/2}(\tau)$, $K_{2p}^{-1/2,0}(\tau)$, $K_{2p}^{0,1/2}(\tau)$ and $K_{2p}^{0,0}(\tau)$ under the same transformations are proved in Appendix C.

Using the expressions for subleading correction terms $f_p(\rho)$ in terms of the elliptic theta functions and the elliptic integral and relations with gamma function (see Appendix D), we obtain the exact values for $f_p(\rho)$ namely for $\rho = \frac{1}{4}$, $\rho = \frac{1}{2}$, $\rho = 1$ and $\rho = 2$ up to $p = 22$ (see Supplementary Materials). Exact numerical values of $f_p(\rho)$ for these particular values of the aspect ratio ρ , up to $p = 22$ are given in Table I. In Fig. 2 we plot the behavior of the subleading correction terms $f_p(\rho)$ (a) $p = 0$, (b) $p = 2$, (c) $p = 7$, and (d) $p = 14$ as a function of the aspect ratio ρ .

We noticed that the roots coefficients $f_p(\rho)$ as a function of the aspect ratio ρ for increasing p exponentially tends to $1/2$. This is shown in the Fig. 3.

Using Kronecker's functions asymptotic form (see for example [10]) when $\rho \rightarrow \infty$ (i.e. $\mathcal{M} \rightarrow \infty$) for fixed $2\mathcal{N}$ from Eq. (10) one obtains the free energy expansion for infinitely long cylinder of circumference $2\mathcal{N}$ with periodic boundary conditions

$$\lim_{\mathcal{M} \rightarrow \infty} \frac{F}{\mathcal{M} + 1} = 2\mathcal{N} f_{bulk} - \frac{\pi}{24\mathcal{N}} + \sum_{p=1}^{\infty} \frac{f_p^{cyl}}{(2\mathcal{N})^{2p+1}}, \quad (16)$$

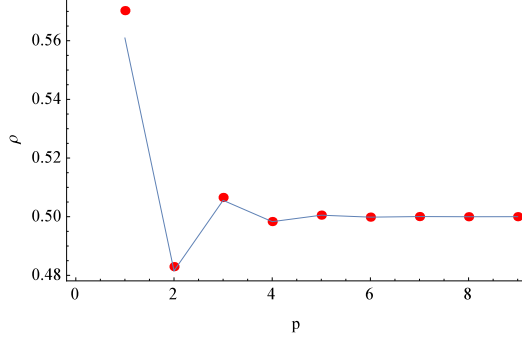


FIG. 3. The behavior of roots of the correction terms $f_p(\rho)$, as a function of p . The dots represent our exact results. The solid line is given by $(-1)^{p+1} a b^p + 1/2$, with $a = 0.2014$ and $b = 0.3027$ and represents the exponential decay to $1/2$.

where f_p^{cyl} is given by

$$f_p^{\text{cyl}} = \frac{\pi^{2p+1} \lambda_{2p} B_{2p+2}^{1/2}}{(2p)!(p+1)}. \quad (17)$$

In the limit $\rho \rightarrow 0$ (i.e. $\mathcal{N} \rightarrow \infty$) for fixed \mathcal{M} we obtain the expansion of free energy of infinitely long strip with BK boundary condition of the width $\mathcal{M} + 1$

$$\lim_{\mathcal{N} \rightarrow \infty} \frac{F}{2\mathcal{N}} = \mathcal{M} f_{\text{bulk}} + f_1 + \frac{\pi}{24(\mathcal{M} + 1)} + \sum_{p=1}^{\infty} \frac{f_p^{\text{str}}}{(\mathcal{M} + 1)^{2p+1}}, \quad (18)$$

where f_p^{str} is given by

$$f_p^{\text{str}} = \frac{\pi^{2p+1} \lambda_{2p} B_{2p+2}^{1/2}}{(2 - 2^{2p+2})(2p)!(p+1)}. \quad (19)$$

We have also used the relation of the Bernoulli numbers $B_n \equiv B_n^0$ and $B_n^{1/2} = (2^{1-n} - 1)B_n$. From Eqs. (10), (16) and (18) one can obtain

$$f_p^{\text{cyl}} = \lim_{\rho \rightarrow \infty} \rho^{-p-1} f_p(\rho) \quad (20)$$

$$f_p^{\text{str}} = \lim_{\rho \rightarrow 0} \rho^{p+1} f_p(\rho). \quad (21)$$

Using known relations for the asymptotic behavior of the λ_{2p} [11]

$$\lambda_{2p} = (-1)^p \frac{2^{2p+5/4} (p/e)^{2p}}{(2p+1) [\ln(1+\sqrt{2})]^{2p+1/2}} \quad (22)$$

and for the asymptotic behavior of the $B_{2p+2}^{1/2}$,

$$B_{2p+2}^{1/2} = (-1)^{p+1} \frac{2(2p+2)!}{(2\pi)^{2p+2}}, \quad (23)$$

we can derive from Eqs. (17) and (19) the following formulas for the asymptotic behavior of f_p^{cyl}

$$f_p^{\text{cyl}} = -\frac{2^{5/4}(p/e)^{2p}}{\pi [\ln(1 + \sqrt{2})]^{2p+1/2}} \quad (24)$$

and f_p^{str}

$$f_p^{\text{str}} = -\frac{2^{1/4}(p/e)^{2p}}{\pi(1 - 2^{1+2p}) [\ln(1 + \sqrt{2})]^{2p+1/2}}. \quad (25)$$

The coefficients of asymptotic expansion of the free energy for the Ising model with BK boundary conditions on an infinitely long strip and for infinitely long cylinder are listed in Supplementary Materials. Exact numerical values of f_p^{cyl} and f_p^{str} are given in Table II.

Finally we consider ratios r_p for the Ising model analogous to Eq.(1) for the dimer model. We write the ratio of the coefficients in the free energy expansion $f_p(\rho)$ for $\rho < 1/2$ multiplied by ρ^{p+1} and coefficients f_p for strip f_p^{str} as

$$r_p^{\text{str}}(\rho) = \frac{\rho^{p+1} f_p(\rho)}{f_p^{\text{str}}}$$

and the ratio of the coefficients in the free energy expansion $f_p(\rho)$ for $\rho > 1/2$ multiplied by ρ^{-p-1} and coefficients f_p infinitely long cylinder f_p^{cyl} as

$$r_p^{\text{cyl}}(\rho) = \frac{\rho^{-p-1} f_p(\rho)}{f_p^{\text{cyl}}}.$$

We list the values of $r_p^{\text{str}}(\rho)$ and $r_p^{\text{cyl}}(\rho)$ for $p = 0$ up to $p = 22$ in Table III and plot them against p in Fig. 4. One can clearly see that the ratios $r_p^{\text{str}}(\rho)$ and $r_p^{\text{cyl}}(\rho)$ tend to 1 in both cases as p increase and $\rho \neq 1/2$. From Table IV and Fig. 4, one also sees that the ratio r_p tends to 0 for $\rho = 1/2$ and large values of p .

IV. CONCLUSIONS

We have analyzed the partition function of the Ising model with Brascamp-Kunz boundary conditions on a rectangular $M \times 2N$ lattice. Using the results of Ref. [6] we have calculated the exact expressions for the correction terms $f_p(\rho)$ in the asymptotic expansion of the free energy from $p = 0$ up to $p = 22$. We also found asymptotic formulas of the correction terms as a simple exact expressions for the strip ($N \rightarrow \infty$) and for the infinitely long cylinder ($M \rightarrow \infty$). We find that the ratio of the coefficients $f_p(\rho)$ in the free energy

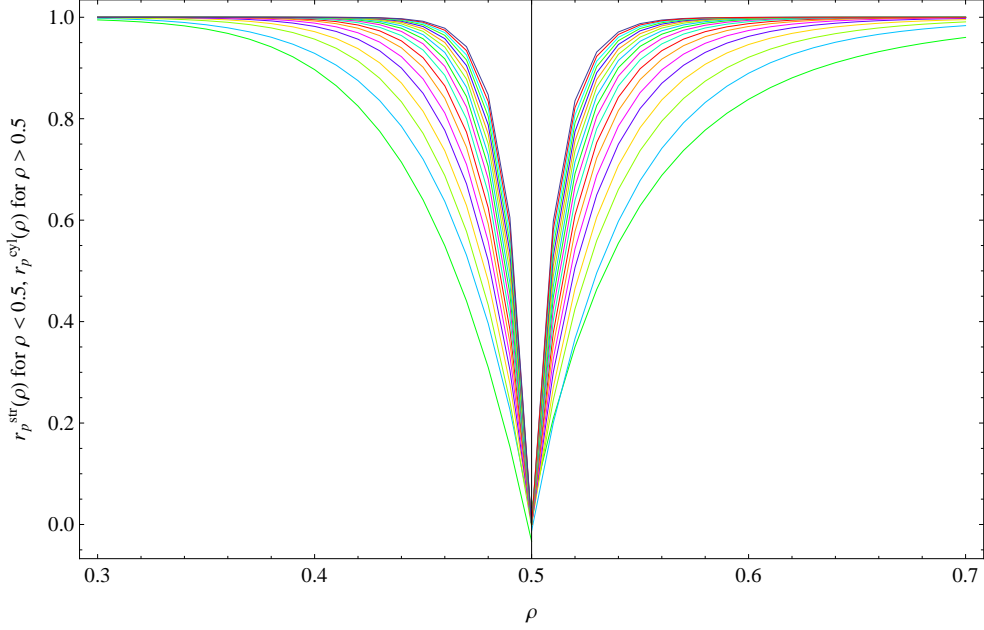


FIG. 4. The behavior of ratios of the coefficients $f_p(\rho)$ in the asymptotic expansion of the free energy with aspect ratio $\rho < 1/2$ times ρ^{p+1} to the asymptotic coefficients for the strip f_p^{str} and the coefficients $f_p(\rho)$ with aspect ratio $\rho > 1/2$ times ρ^{-p-1} to the asymptotic coefficients for the cylinder f_p^{cyl} , as a function of ρ for $p = 1, 2, 3, \dots, 22$.

expansion of the Ising model with Brascamp-Kunz boundary conditions multiplied by ρ^{p+1} for $\rho > 1/2$, and the coefficients f_p^{str} in the free energy expansion for the band tends to 1 with an increase in p . Likewise the ratio of the coefficients $f_p(\rho)$ multiplied by ρ^{-p-1} for $\rho < 1/2$ and the coefficients f_p^{cyl} in the free energy expansion for an infinitely long cylinder tends to 1 in the infinite p limit. These ratios tend to 0 in both cases for $\rho = 1/2$. Thus we have similarities with the dimer case with free boundary conditions in that there is an abrupt change, but the critical values of the aspect ratio at which this occurs differ. To gain further insight we plan to study the ratio $r_p(\rho)$ in other models, such as the spanning tree model under different boundary conditions and the dimer model on cylinder.

ACKNOWLEDGEMENT

NI acknowledges the receipt of the Armenian SCS grant 20TTWS-1C035. NI and RK acknowledge support of CS MESRA in the frame of the research project No.SCS 21AG-1C006.

PERSONAL STATEMENT ON BEHALF OF RK

The work reported in this paper was brought to a conclusion before Putin's war against Ukraine. In line with protocol of the Middle European Cooperation on Statistical Physics (MECO), of which Kenna is a Board Member, Kenna condemns the actions of Russia's leadership and calls for the withdrawal of Russian forces from Ukraine with immediate effect. Also in line with MECO protocol, and that of Kenna's research group, Kenna suspends future work with Russian institutions until these aims are achieved. The full MECO statement about the war is available at <https://sites.google.com/site/mecoconferencephysics/home> .

Appendix A: Expressions for $f_p(\rho)$ from $p = 0$ up to $p = 5$.

$$\begin{aligned}
f_0 &= \frac{1}{12} \left(\ln 4 - 3 \ln(\theta_3 \theta_4) + 2 \ln \left(\sqrt{\theta_3 \theta_4} \sqrt{\theta_3^2 - \theta_4^2} \sqrt{\theta_2^4 + 2\theta_4^2 (\theta_3^2 + \theta_4^2)} \right) \right) \\
f_1 &= \frac{\pi^3 \rho^2 (\theta_2^8 - 14\theta_4^4 \theta_2^4 - 14\theta_4^8)}{2880} \\
f_2 &= -\frac{\pi^5 \rho^4}{48384} (-124E\theta_3^2 \theta_4^{12} - 186E\theta_2^4 \theta_3^2 \theta_4^8 - 66E\theta_2^8 \theta_3^2 \theta_4^4 - 2E\theta_2^{12} \theta_3^2 + 62\pi\theta_4^{16} + 124\pi\theta_2^4 \theta_4^{12}) \\
&\quad + 73\pi\theta_2^8 \theta_4^8 + 11\pi\theta_2^{12} \theta_4^4 - \frac{\pi^5 \rho^3}{48384} (\theta_2^{12} + 33\theta_4^4 \theta_2^8 + 93\theta_4^8 \theta_2^4 + 62\theta_4^{12}) \\
f_3 &= \frac{\pi^7 \rho^6}{58060800} (-213360E^2 \theta_4^{20} - 640080E^2 \theta_2^4 \theta_4^{16} - 663600E^2 \theta_2^8 \theta_4^{12} - 260400E^2 \theta_2^{12} \theta_4^8 \\
&\quad - 22680E^2 \theta_2^{16} \theta_4^4 + 70\theta_2^{20} (12E^2 - 5\pi^2 \theta_4^4) + 213360\pi E \theta_3^2 \theta_4^{20} + 533400\pi E \theta_2^4 \theta_3^2 \theta_4^{16} \\
&\quad + 438480\pi E \theta_2^8 \theta_3^2 \theta_4^{12} + 124320\pi E \theta_2^{12} \theta_3^2 \theta_4^8 + 5880\pi E \theta_2^{16} \theta_3^2 \theta_4^4 - 53340\pi^2 \theta_4^{24} \\
&\quad - 160020\pi^2 \theta_2^4 \theta_4^{20} - 173180\pi^2 \theta_2^8 \theta_4^{16} - 79660\pi^2 \theta_2^{12} \theta_4^{12} - 13510\pi^2 \theta_2^{16} \theta_4^8) \\
&\quad + \frac{\pi^7 \rho^5}{58060800} (213360E\theta_3^2 \theta_4^{16} + 426720E\theta_2^4 \theta_3^2 \theta_4^{12} + 236880E\theta_2^8 \theta_3^2 \theta_4^8 + 23520E\theta_2^{12} \theta_3^2 \theta_4^4 - 840E\theta_2^{16} \theta_3^2 \\
&\quad - 106680\pi\theta_4^{20} - 266700\pi\theta_2^4 \theta_4^{16} - 219240\pi\theta_2^8 \theta_4^{12} - 62160\pi\theta_2^{12} \theta_4^8 - 2940\pi\theta_2^{16} \theta_4^4) \\
&\quad + \frac{\pi^7 \rho^4}{58060800} (237\theta_2^{16} - 6636\theta_4^4 \theta_2^{12} - 66834\theta_4^8 \theta_2^8 - 120396\theta_4^{12} \theta_2^4 - 60198\theta_4^{16}) \\
f_4 &= \frac{\pi^9 \rho^8}{3065610240} (-3934700\pi^3 \theta_4^{32} - 15738800\pi^3 \theta_2^4 \theta_4^{28} + 23608200\pi^2 E \theta_3^2 \theta_4^{28} \\
&\quad - 47216400\pi E^2 \theta_4^{28} - 24962245\pi^3 \theta_2^8 \theta_4^{24} - 188865600\pi E^2 \theta_2^4 \theta_4^{24} + 82628700\pi^2 E \theta_2^4 \theta_3^2 \theta_4^{24} \\
&\quad + 31477600E^3 \theta_3^2 \theta_4^{24} - 19800935\pi^3 \theta_2^{12} \theta_4^{20} - 293684160\pi E^2 \theta_2^8 \theta_4^{20} + 109942140\pi^2 E \theta_2^8 \theta_3^2 \theta_4^{20} \\
&\quad + 110171600E^3 \theta_2^4 \theta_3^2 \theta_4^{20} - 8099630\pi^3 \theta_2^{16} \theta_4^{16} - 220022880\pi E^2 \theta_2^{12} \theta_4^{16} + 68283600\pi^2 E \theta_2^{12} \theta_3^2 \theta_4^{16} \\
&\quad + 142696400E^3 \theta_2^8 \theta_3^2 \theta_4^{16} - 1559635\pi^3 \theta_2^{20} \theta_4^{12} - 78549240\pi E^2 \theta_2^{16} \theta_4^{12} + 19242300\pi^2 E \theta_2^{16} \theta_3^2 \theta_4^{12} \\
&\quad + 81312000E^3 \theta_2^{12} \theta_3^2 \theta_4^{12} - 103180\pi^3 \theta_2^{24} \theta_4^8 - 10736880\pi E^2 \theta_2^{20} \theta_4^8 + 1894200\pi^2 E \theta_2^{20} \theta_3^2 \theta_4^8 \\
&\quad + 17894800E^3 \theta_2^{16} \theta_3^2 \theta_4^8 - 385\pi^3 \theta_2^{28} \theta_4^4 - 175560\pi E^2 \theta_2^{24} \theta_4^4 + 13860\pi^2 E \theta_2^{24} \theta_3^2 \theta_4^4 \\
&\quad + 616000E^3 \theta_2^{20} \theta_3^2 \theta_4^4 + 30800E^3 \theta_2^{24} \theta_3^2) \\
&\quad + \frac{\pi^9 \rho^7}{3065610240} (-11804100\pi^2 \theta_4^{28} - 41314350\pi^2 \theta_2^4 \theta_4^{24} - 47216400E^2 \theta_4^{24} + 47216400\pi E \theta_3^2 \theta_4^{24} \\
&\quad - 54971070\pi^2 \theta_2^8 \theta_4^{20} - 165257400E^2 \theta_2^4 \theta_4^{20} + 141649200\pi E \theta_2^4 \theta_3^2 \theta_4^{20} - 34141800\pi^2 \theta_2^{12} \theta_4^{16} \\
&\quad - 214044600E^2 \theta_2^8 \theta_4^{16} + 152034960\pi E \theta_2^8 \theta_3^2 \theta_4^{16} - 9621150\pi^2 \theta_2^{16} \theta_4^{12} - 121968000E^2 \theta_2^{12} \theta_4^{12} \\
&\quad + 67987920\pi E \theta_2^{12} \theta_3^2 \theta_4^{12} - 947100\pi^2 \theta_2^{20} \theta_4^8 - 26842200E^2 \theta_2^{16} \theta_4^8 + 10561320\pi E \theta_2^{16} \theta_3^2 \theta_4^8 \\
&\quad - 6930\pi^2 \theta_2^{24} \theta_4^4 - 924000E^2 \theta_2^{20} \theta_4^4 + 175560\pi E \theta_2^{20} \theta_3^2 \theta_4^4 - 46200E^2 \theta_2^{24}) \\
&\quad + \frac{\pi^9 \rho^6}{3065610240} (-12907860\pi\theta_4^{24} - 38723580\pi\theta_2^4 \theta_4^{20} + 25815720E\theta_3^2 \theta_4^{20} - 41562804\pi\theta_2^8 \theta_4^{16} \\
&\quad + 64539300E\theta_2^4 \theta_3^2 \theta_4^{16} - 18586308\pi\theta_2^{12} \theta_4^{12} + 52490280E\theta_2^8 \theta_3^2 \theta_4^{12} - 2887218\pi\theta_2^{16} \theta_4^8 \\
&\quad + 14196120E\theta_2^{12} \theta_3^2 \theta_4^8 - 47994\pi\theta_2^{20} \theta_4^4 + 479940E\theta_2^{16} \theta_3^2 \theta_4^4 + 25260E\theta_2^{20} \theta_3^2)
\end{aligned}$$

TABLE I. Coefficients $f_p(\rho)$ in the asymptotic expansion of the free energy for the aspect ratios $\rho = 1/4, 1/2, 1$ and 2 .

p	$f_p(\frac{1}{4})$	$f_p(\frac{1}{2})$	$f_p(1)$	$f_p(2)$
0	0.523595288249...	0.259930192710...	0.086643397569...	-0.177021697969...
1	0.172112916479...	0.0235092640722...	-0.141055584433	-0.602827737753...
2	0.402518667192...	-0.0105273428041...	-0.378984340948	-3.13653937537
3	3.139139013072...	0.0204946052696...	-3.12609670831	$-5.01013911657... \times 10^1$
4	$4.90234556756... \times 10^1$	-0.0507766330745...	$-4.89581568797... \times 10^1$	$-1.56775657752... \times 10^3$
5	$1.27075751699... \times 10^3$	0.254955330196...	$-1.26996097967... \times 10^3$	$-8.13027369379... \times 10^4$
6	$4.92884549362... \times 10^4$	$-1.59388671467...$	$-4.92817684759... \times 10^4$	$-6.30849589226... \times 10^6$
7	$2.67339869959... \times 10^6$	$1.54483233041... \times 10^1$	$-2.67332996787... \times 10^6$	$-6.84381253986... \times 10^8$
8	$1.93193808279... \times 10^8$	$-1.81074591531... \times 10^2$	$-1.93192376909... \times 10^8$	$-9.89148635893... \times 10^{10}$
9	$1.79407097088... \times 10^{10}$	$2.88511426577... \times 10^3$	$-1.79406726772... \times 10^{10}$	$-1.83712677787... \times 10^{13}$
10	$2.08177969984... \times 10^{12}$	$-5.44134211547... \times 10^4$	$-2.08177870632... \times 10^{12}$	$-4.26348380796... \times 10^{15}$
11	$2.95162703856... \times 10^{14}$	$1.29349121330... \times 10^6$	$-2.95162670097... \times 10^{14}$	$-1.20898636585 \times 10^{18}$
12	$5.02087704137... \times 10^{16}$	$-3.57491454591... \times 10^7$	$-5.02087689081... \times 10^{16}$	$-4.11310241062... \times 10^{20}$
13	$1.00920337011... \times 10^{19}$	$1.18780154464... \times 10^9$	$-1.00920336244... \times 10^{19}$	$-1.65347879531... \times 10^{23}$
14	$2.36629829757... \times 10^{21}$	$-4.51818179444... \times 10^{10}$	$-2.36629829319 \times 10^{21}$	$-7.75388625431... \times 10^{25}$
15	$6.40123654627... \times 10^{23}$	$2.00185252421... \times 10^{12}$	$-6.40123654331... \times 10^{23}$	$-4.19511438199... \times 10^{28}$
16	$1.97885524754... \times 10^{26}$	$-1.00199376933... \times 10^{14}$	$-1.97885524731... \times 10^{26}$	$-2.59372514990... \times 10^{31}$
17	$6.93253263203... \times 10^{28}$	$5.71313815236... \times 10^{15}$	$-6.93253263183... \times 10^{28}$	$-1.81732183426... \times 10^{34}$
18	$2.73210458826... \times 10^{31}$	$-3.63812558184... \times 10^{17}$	$-2.73210458824... \times 10^{31}$	$-1.43240965036... \times 10^{37}$
19	$1.20333420842... \times 10^{34}$	$2.59618103930... \times 10^{19}$	$-1.20333420842... \times 10^{34}$	$-1.26178737093... \times 10^{40}$
20	$5.88863561221... \times 10^{36}$	$-2.04884884101... \times 10^{21}$	$-5.88863561221... \times 10^{36}$	$-1.23493639514... \times 10^{43}$
21	$3.18488175832... \times 10^{39}$	$1.78934250420... \times 10^{23}$	$-3.18488175832... \times 10^{39}$	$-1.33583622984... \times 10^{46}$
22	$1.89474701883... \times 10^{42}$	$-1.71361252007... \times 10^{25}$	$-1.89474701883 \times 10^{42}$	$-1.58942900001... \times 10^{49}$

TABLE II. Coefficients f_p in the asymptotic expansion of the free energy for the infinite strip (f_p^{str}) and for the infinite cylinder (f_p^{cyl}).

p	f_p^{str}	f_p^{cyl}
0	0.130899693900...	-0.261799387799...
1	0.0107660682918...	-0.150724956085...
2	0.00632481160684...	-0.392138319624...
3	0.0123286192230...	-3.13146928264349...
4	0.0479378812728...	$-4.89925146608... \times 10^1$
5	0.310296854792...	$-1.27035532352... \times 10^3$
6	3.00849250297...	$-4.92851241836... \times 10^4$
7	$4.07935464563... \times 10^1$	$-2.67336427347... \times 10^6$
8	$7.36978786113... \times 10^2$	$-1.93193092949... \times 10^8$
9	$1.71096090406... \times 10^3$	$-1.79406911902... \times 10^{10}$
10	$4.96335076279... \times 10^5$	$-2.08177920311... \times 10^{12}$
11	$1.75930692054... \times 10^7$	$-2.95162686976... \times 10^{14}$
12	$7.48168992359... \times 10^8$	$-5.02087696609... \times 10^{16}$
13	$3.75957553757... \times 10^{10}$	$-1.00920336628... \times 10^{19}$
14	$2.20378702487... \times 10^{12}$	$-2.36629829538... \times 10^{21}$
15	$1.49040402560... \times 10^{14}$	$-6.40123654479... \times 10^{23}$
16	$1.15184535252... \times 10^{16}$	$-1.97885524742... \times 10^{26}$
17	$1.00881627181... \times 10^{18}$	$-6.93253263193... \times 10^{28}$
18	$9.93933859088... \times 10^{19}$	$-2.73210458825... \times 10^{31}$
19	$1.09442608702... \times 10^{22}$	$-1.20333420842... \times 10^{34}$
20	$1.33892072249... \times 10^{24}$	$-5.88863561221... \times 10^{36}$
21	$1.81039567810... \times 10^{26}$	$-3.18488175832... \times 10^{39}$
22	$2.69259746066... \times 10^{28}$	$-1.89474701883... \times 10^{42}$

TABLE III. Ratios of the coefficients in the asymptotic expansion of the free energy $f_p(\rho)$ with $\rho = 1/4$ times $(\frac{1}{4})^{p+1}$ to the asymptotic coefficients for the strip f_p^{str} , $f_p(\rho)$ with $\rho = 1$ to the asymptotic coefficients for the cylinder f_p^{cyl} and $f_p(\rho)$ with $\rho = 2$ times 2^{-p-1} to the asymptotic coefficients for the cylinder f_p^{cyl} as a function of p .

p	$r_p^{\text{str}} = \frac{(\frac{1}{4})^{p+1} f_p(\frac{1}{4})}{f_p^{\text{str}}}$	$r_p^{\text{cyl}} = \frac{f_p(1)}{f_p^{\text{cyl}}}$	$r_p^{\text{cyl}} = \frac{2^{-p-1} f_p(2)}{f_p^{\text{cyl}}}$
0	0.999993339655095528017488	-0.3309534002289773900946846	0.3380865391971407478281185
1	0.999163017402809561962496	0.935847573601313135868700	0.999880433559350175061247
2	0.994393914923976306061227	0.966455768238489643610306	0.999819202307537384224738
3	0.994617608671787826597893	0.998284327945495711605871	0.999957740353741161966976
4	0.998677187268516332817291	0.999298713663337705289882	0.999997517714294504507257
5	0.999828163357488075062333	0.999689579882906199027829	0.999999953663715280854808
6	0.999945502733509412893116	0.999931912362528598890457	0.999999999486273115273625
7	0.999982359481393231263486	0.999987167628971390721966	0.999999999968052918721302
8	0.999996073244944444713617	0.999996293656869882221401	0.99999999992907881683022
9	0.999999124863209607040903	0.999998968098210751738736	0.99999999998966062139553
10	0.999999761773952596695354	0.999999761363057705831311	0.99999999999903808483912
11	0.999999937978850492536281	0.999999942813981074113102	0.99999999999994070123664
12	0.999999985190171839415830	0.999999985007330984754956	0.99999999999999744620307
13	0.999999996345359234156146	0.999999996204074490088418	0.99999999999999991073663
14	0.999999999063016580968864	0.999999999074337101836494	0.99999999999999999579251
15	0.999999999765225046712899	0.999999999769113761235235	0.99999999999999999963030
16	0.999999999942044723146757	0.999999999941539947286117	0.99999999999999999996453
17	0.999999999985497727976717	0.999999999985398442194306	0.99999999999999999999719
18	0.999999999996352260731897	0.999999999996371781603060	0.99999999999999999999982
19	0.999999999999089370892081	0.999999999999091639708485	0.99999999999999999999999
20	0.999999999999772972174462	0.999999999999772280474320	1.000000000000000000000000
21	0.99999999999943177574113	0.99999999999943135588192	1.000000000000000000000000
22	0.99999999999985777662470	0.99999999999985800628097	1.000000000000000000000000

TABLE IV. Ratios of the coefficients $f_p(\rho)$ in the asymptotic expansion of the free energy with aspect ratio $\rho = 1/2$ times $(\frac{1}{2})^{p+1}$ to the asymptotic coefficients for the strip f_p^{str} and times $(\frac{1}{2})^{-p-1}$ to the asymptotic coefficients for the cylinder f_p^{cyl} , as a function of p .

p	$r_p = \frac{(\frac{1}{2})^{p+1} f_p(\frac{1}{2})}{f_p^{\text{str}}}$	$r_p = \frac{(\frac{1}{2})^{-p-1} f_p(\frac{1}{2})}{f_p^{\text{cyl}}}$
0	0.992860200686932170284054	-1.985720401373864340568108
1	0.545911084600765995923408	-0.623898382400875423912467
2	-0.208056450106897076054997	0.214767948497442143024513
3	0.103897509216542038863929	-0.104715599840294338382543
4	-0.033100540563053800834474	0.033165316571983456022017
5	0.012838277194207318041263	-0.012844548946622661137522
6	-0.004139029745310480389337	0.004139535059648816426498
7	0.001479278418986346793646	-0.001479323564358794266616
8	-0.000479879907330006230188	0.000479883568551079770531
9	0.000164673219211188880834	-0.000164673533301027482952
10	-0.000053530476824995503296	0.000053530502350328121212
11	0.000017949895470759916822	-0.000017949897610554458482
12	-0.000005832785643838021571	0.000005832785817668584927
13	0.000001928346754751898939	-0.000001928346769119201961
14	-0.000000625668289806867818	0.000000625668290972265825
15	0.000000204950099949109278	-0.000000204950100044546606
16	-0.000000066368334667218326	0.000000066368334674944617
17	0.000000021603430770326987	-0.000000021603430770955729
18	-0.000000006981524767547933	0.000000006981524767598730
19	0.000000002262291814200193	-0.000000002262291814204308
20	-0.000000000729667740979856	0.000000000729667740980188
21	0.000000000235645998572673	-0.000000000235645998572700
22	-0.000000000075866717571843	0.000000000075866717571846

$$\begin{aligned}
& + \frac{\pi^9 \rho^5}{3065610240} (-4930\theta_2^{20} - 93670\theta_4^4\theta_2^{16} - 2770660\theta_4^8\theta_2^{12} - 10244540\theta_4^{12}\theta_2^8 \\
& - 12596150\theta_4^{16}\theta_2^4 - 5038460\theta_4^{20}) \\
f_5 = & \frac{\pi^{11} \rho^{10}}{167382319104000} (-495562016950\pi^4\theta_4^{40} - 2477810084750\pi^4\theta_2^4\theta_4^{36} + 3964496135600\pi^3E\theta_3^2\theta_4^{36} \\
& - 11893488406800\pi^2E^2\theta_4^{36} - 5172413070825\pi^4\theta_2^8\theta_4^{32} - 7928992271200E^4\theta_4^{32} \\
& - 59467442034000\pi^2E^2\theta_2^4\theta_4^{32} + 17840232610200\pi^3E\theta_2^4\theta_3^2\theta_4^{32} + 15857984542400\pi E^3\theta_3^2\theta_4^{32} \\
& - 5822791774800\pi^4\theta_2^{12}\theta_4^{28} - 122650661133000\pi^2E^2\theta_2^8\theta_4^{28} - 39644961356000E^4\theta_2^4\theta_4^{28} \\
& + 32706893419200\pi^3E\theta_2^8\theta_3^2\theta_4^{28} + 71360930440800\pi E^3\theta_2^4\theta_3^2\theta_4^{28} - 3805057105850\pi^4\theta_2^{16}\theta_4^{24} \\
& - 133797992328000E^2\pi^2\theta_2^{12}\theta_4^{24} - 80775174079600E^4\theta_2^8\theta_4^{24} + 31219708119600\pi^3E\theta_2^{12}\theta_3^2\theta_4^{24} \\
& + 128844211496000E^3\pi\theta_2^8\theta_3^2\theta_4^{24} - 1442202461700\pi^4\theta_2^{20}\theta_4^{20} - 81991258549200\pi^2E^2\theta_2^{16}\theta_4^{20} \\
& - 85230928182400E^4\theta_2^{12}\theta_4^{20} + 16396161381600E\pi^3\theta_2^{16}\theta_3^2\theta_4^{20} + 117937064845600\pi E^3\theta_2^{12}\theta_3^2\theta_4^{20} \\
& - 296985388700\pi^4\theta_2^{24}\theta_4^{16} - 27444059042400\pi^2E^2\theta_2^{20}\theta_4^{16} - 48562136823200E^4\theta_2^{16}\theta_4^{16} \\
& + 4568342578800\pi^3E\theta_2^{20}\theta_3^2\theta_4^{16} + 56489240007200\pi E^3\theta_2^{16}\theta_3^2\theta_4^{16} - 27936909000\pi^4\theta_2^{28}\theta_4^{12} \\
& - 4403680881600\pi^2E^2\theta_2^{24}\theta_4^{12} - 13886999526400E^4\theta_2^{20}\theta_4^{12} + 582531149200\pi^3E\theta_2^{24}\theta_3^2\theta_4^{12} \\
& + 12889275599200\pi E^3\theta_2^{20}\theta_3^2\theta_4^{12} - 723998275\pi^4\theta_2^{32}\theta_4^8 - 230037007200\pi^2E^2\theta_2^{28}\theta_4^8 \\
& - 1500316417600E^4\theta_2^{24}\theta_4^8 + 21819798000\pi^3E\theta_2^{28}\theta_3^2\theta_4^8 + 997723927200\pi E^3\theta_2^{24}\theta_3^2\theta_4^8 \\
& - 350350\pi^4\theta_2^{36}\theta_4^4 - 441441000\pi^2E^2\theta_2^{32}\theta_4^4 - 1793792000E^4\theta_2^{28}\theta_4^4 + 21021000\pi^3E\theta_2^{32}\theta_3^2\theta_4^4 \\
& + 1889087200\pi E^3\theta_2^{28}\theta_3^2\theta_4^4 + 1936734800E^4\theta_2^{32}) \\
& + \frac{\pi^{11} \rho^9}{167382319104000} \\
& (-1982248067800\pi^3\theta_4^{36} - 8920116305100\pi^3\theta_2^4\theta_4^{32} + 11893488406800\pi^2E\theta_3^2\theta_4^{32} \\
& - 23786976813600\pi E^2\theta_4^{32} - 16353446709600\pi^3\theta_2^8\theta_4^{28} - 107041395661200\pi E^2\theta_2^4\theta_4^{28} \\
& + 47573953627200\pi^2E\theta_2^4\theta_3^2\theta_4^{28} + 15857984542400E^3\theta_3^2\theta_4^{28} - 15609854059800\pi^3\theta_2^{12}\theta_4^{24} \\
& - 193266317244000\pi E^2\theta_2^8\theta_4^{24} + 75076707505800\pi^2E\theta_2^8\theta_3^2\theta_4^{24} + 63431938169600E^3\theta_2^4\theta_3^2\theta_4^{24} \\
& - 8198080690800\pi^3\theta_2^{16}\theta_4^{20} - 176905597268400\pi E^2\theta_2^{12}\theta_4^{20} + 58721284822200\pi^2E\theta_2^{12}\theta_3^2\theta_4^{20} \\
& + 98118409989600E^3\theta_2^8\theta_3^2\theta_4^{20} - 2284171289400\pi^3\theta_2^{20}\theta_4^{16} - 84733860010800\pi E^2\theta_2^{16}\theta_4^{16} \\
& + 23269973727000E\pi^2\theta_2^{16}\theta_3^2\theta_4^{16} + 72343446375200E^3\theta_2^{12}\theta_3^2\theta_4^{16} - 291265574600\pi^3\theta_2^{24}\theta_4^{12} \\
& - 19333913398800\pi E^2\theta_2^{20}\theta_4^{12} + 4174085315400\pi^2E\theta_2^{20}\theta_3^2\theta_4^{12} + 24780827271200E^3\theta_2^{16}\theta_3^2\theta_4^{12} \\
& - 10909899000\pi^3\theta_2^{28}\theta_4^8 - 1496585890800\pi E^2\theta_2^{24}\theta_4^8 + 229595566200\pi^2E\theta_2^{24}\theta_3^2\theta_4^8 \\
& + 2993171781600E^3\theta_2^{20}\theta_3^2\theta_4^8 - 10510500\pi^3\theta_2^{32}\theta_4^4 - 2833630800\pi E^2\theta_2^{28}\theta_4^4 + 441441000\pi^2E\theta_2^{28}\theta_3^2\theta_4^4 \\
& + 7461053600E^3\theta_2^{24}\theta_3^2\theta_4^4 - 3873469600E^3\theta_2^{28}\theta_3^2) \\
& + \frac{\pi^{11} \rho^8}{167382319104000} (-3191823929580\pi^2\theta_4^{32} - 12767295718320\pi^2\theta_2^4\theta_4^{28} - 12767295718320E^2\theta_4^{28} \\
& + 12767295718320\pi E\theta_3^2\theta_4^{28} - 20148136810230\pi^2\theta_2^8\theta_4^{24} - 51069182873280E^2\theta_2^4\theta_4^{24}
\end{aligned}$$

$$\begin{aligned}
& + 44685535014120\pi E\theta_2^4\theta_3^2\theta_4^{24} - 15758875416570\pi^2\theta_2^{12}\theta_4^{20} - 78995332124280E^2\theta_2^8\theta_4^{20} \\
& + 59047202608680\pi E\theta_2^8\theta_3^2\theta_4^{20} - 6244901112450\pi^2\theta_2^{16}\theta_4^{16} - 58243856316360E^2\theta_2^{12}\theta_4^{16} \\
& + 35904168986400\pi E\theta_2^{12}\theta_3^2\theta_4^{16} - 1120188201990\pi^2\theta_2^{20}\theta_4^{12} - 19951094609160E^2\theta_2^{16}\theta_4^{12} \\
& + 9575433427560\pi E\theta_2^{16}\theta_3^2\theta_4^{12} - 61615952970\pi^2\theta_2^{24}\theta_4^8 - 2409808709880E^2\theta_2^{20}\theta_4^8 \\
& + 801748662000\pi E\theta_2^{20}\theta_3^2\theta_4^8 - 6006909480E^2\theta_2^{24}\theta_4^4 + 1520907960\pi E\theta_2^{24}\theta_3^2\theta_4^4 \\
& - 1128270\theta_2^{28}(105\pi^2\theta_4^4 - 2764E^2) \\
& + \frac{\pi^{11}\rho^7}{167382319104000}(-2419151723560\pi\theta_4^{28} - 8467031032460\pi\theta_2^4\theta_4^{24} + 4838303447120E\theta_3^2\theta_4^{24} \\
& - 11188284904940\pi\theta_2^8\theta_4^{20} + 14514910341360E\theta_2^4\theta_3^2\theta_4^{20} - 6803134681200\pi\theta_2^{12}\theta_4^{16} \\
& + 15421216788120E\theta_2^8\theta_3^2\theta_4^{16} - 1814356523980\pi\theta_2^{16}\theta_4^{12} + 6650916340640E\theta_2^{12}\theta_3^2\theta_4^{12} \\
& - 151915621000\pi\theta_2^{20}\theta_4^8 + 909764632920E\theta_2^{16}\theta_3^2\theta_4^8 - 288182180\pi\theta_2^{24}\theta_4^4 \\
& + 3458186160E\theta_2^{20}\theta_3^2\theta_4^4 - 1181803480E\theta_2^{24}\theta_3^2) \\
& + \frac{\pi^{11}\rho^6}{167382319104000}(176538062\theta_2^{24} - 516584604\theta_4^4\theta_2^{20} - 135900839598\theta_4^8\theta_2^{16} \\
& - 993515335816\theta_4^{12}\theta_2^{12} - 2303624732478\theta_4^{16}\theta_2^8 - 2168240477484\theta_4^{20}\theta_2^4 - 722746825828\theta_4^{24})
\end{aligned}$$

Appendix B: The coefficients $a_p(\tau)$ in Laurent expansion of Weierstrass function

The Laurent expansion of the Weierstrass function $\wp(z)$ with two periods $\omega_1 = 1$ and $\omega_2 = \tau$ can be written as

$$\begin{aligned}
\wp(z) &= \frac{1}{z^2} + \sum_{(n,m) \neq (0,0)} \left[\frac{1}{(z - n - \tau m)^2} - \frac{1}{(n + \tau m)^2} \right] \\
&= \frac{1}{z^2} + \sum_{p=2}^{\infty} a_p(\tau) z^{2p-2}
\end{aligned}$$

where $a_p(\tau)$ are the coefficients in that expansion. The coefficients $a_p(\tau)$ can all be written in terms of the elliptic theta functions with the help of the recursion relation (see Ref. [12] page 749)

$$a_p(\tau) = \frac{3}{(p-3)(2p+1)} \sum_{k=2}^{p-2} a_k(\tau) a_{p-k}(\tau) \tag{B1}$$

where first terms of the sequence are

$$a_2(\tau) = \frac{\pi^4}{15}(\theta_2^8 + \theta_2^4\theta_4^4 + \theta_4^8) \quad (\text{B2})$$

$$a_3(\tau) = \frac{\pi^6}{189}(\theta_4^4 - \theta_2^4)(\theta_2^4 + 2\theta_4^4)(\theta_4^4 + 2\theta_2^4) \quad (\text{B3})$$

$$a_4(\tau) = \frac{1}{3}a_2^2(\tau) \quad (\text{B4})$$

$$a_5(\tau) = \frac{3}{11}a_2(\tau)a_3(\tau) \quad (\text{B5})$$

⋮

Here $\theta_2 \equiv \theta_2(\tau)$, $\theta_3 \equiv \theta_3(\tau)$, $\theta_4 \equiv \theta_4(\tau)$ are the elliptic theta functions and in deriving Eqs. (B2) and (B3) we have use the following relation

$$\theta_3^4 = \theta_2^4 + \theta_4^4$$

Using the following identities

$$\begin{aligned} 2\theta_2^2(2\tau) &= \theta_3^2 - \theta_4^2 & \theta_2^2(\tau/2) &= 2\theta_2\theta_3 \\ 2\theta_3^2(2\tau) &= \theta_3^2 + \theta_4^2 & \theta_3^2(\tau/2) &= \theta_2^2 + \theta_3^2 \\ 2\theta_4^2(2\tau) &= 2\theta_3\theta_4 & \theta_4^2(\tau/2) &= \theta_3^2 - \theta_2^2 \end{aligned}$$

we can obtained from Eqs. (B2) and (B3) that

$$a_2(2\tau) = \frac{\pi^4}{15} \frac{\theta_3^8 + \theta_4^8 + 14\theta_3^4\theta_4^4}{16} \quad (\text{B6})$$

$$a_2(\tau/2) = \frac{\pi^4}{15}(\theta_3^8 + \theta_2^8 + 14\theta_3^4\theta_2^4) \quad (\text{B7})$$

$$a_3(2\tau) = -\frac{\pi^6}{189} \frac{(\theta_3^4 + \theta_4^4)(\theta_3^8 + \theta_4^8 - 34\theta_3^4\theta_4^4)}{32} \quad (\text{B8})$$

$$a_3(\tau/2) = \frac{\pi^6}{189}2(\theta_3^4 + \theta_2^4)(\theta_3^8 + \theta_2^8 - 34\theta_3^4\theta_2^4) \quad (\text{B9})$$

In what follow we will find relations between the coefficients $a_p(2\tau)$, $a_p(\tau)$ and $a_p(\tau/2)$ under transformations $\theta_2 \leftrightarrow \theta_4$, $\theta_3 \leftrightarrow \theta_4$ and $\theta_2 \leftrightarrow \theta_3$.

Let us start with transformaton $\theta_2 \leftrightarrow \theta_4$. It is easy to see from (B2) - (B3) and Eqs. (B6) - (B9) that under transformation $\theta_2 \leftrightarrow \theta_4$ the coefficients $a_2(2\tau)$, $a_2(\tau)$, $a_2(\tau/2)$, $a_3(2\tau)$, $a_3(\tau)$ and $a_3(\tau/2)$ transforms as

$$a_2(2\tau) \leftrightarrow 2^{-4}a_2(\tau/2) \quad (\text{B10})$$

$$a_2(\tau) \leftrightarrow a_2(\tau) \quad (\text{B11})$$

$$a_3(2\tau) \leftrightarrow -2^{-6}a_3(\tau/2) \quad (\text{B12})$$

$$a_3(\tau) \leftrightarrow -a_3(\tau) \quad (\text{B13})$$

Let us now prove the following Lemma:

Under transformation $\theta_2 \leftrightarrow \theta_4$ the coefficients $a_p(2\tau)$, $a_p(\tau)$ and $a_p(\tau/2)$ transforms as

$$a_p(2\tau) \leftrightarrow (-1)^p 2^{-2p} a_p(\tau/2) \quad (\text{B14})$$

$$a_p(\tau) \leftrightarrow (-1)^p a_p(\tau) \quad (\text{B15})$$

for any p .

Proof: First we can make the following statement:

(i) for any p , right hand side of Eq. (B1) contains terms $a_k a_{p-k}$, where indexes k and $p-k$ are less or equal $p-2$.

Now (B15) and (B14) can be proved by induction.

Suppose the (B14) is true for $p-2$. According to statement (i) the coefficients $a_p(\tau)$ contains only terms with $a_k(\tau) a_{p-k}(\tau)$, where indexes k and $p-k$ are less or equal $p-2$. It is now follow that under transformation $\theta_2 \leftrightarrow \theta_4$ the coefficient $a_p(2\tau)$ transform as

$$\begin{aligned} a_p(2\tau) &= \frac{3}{(p-3)(2p+1)} \sum_{k=2}^{p-2} a_k(2\tau) a_{p-k}(2\tau) \\ &\leftrightarrow \frac{3}{(p-3)(2p+1)} \sum_{k=2}^{p-2} (-1)^k 2^{-2k} a_k(\tau/2) (-1)^{p-k} 2^{-2(p-k)} a_{p-k}(\tau/2) \\ &= (-1)^p 2^{-2p} a_p(\tau/2) \end{aligned} \quad (\text{B16})$$

The (B15) can be proved in the similar manner.

Let us now consider behavior of the coefficients $a_p(\tau)$ under transformation $\theta_3 \leftrightarrow \theta_4$. It is easy to see from (B2) - (B3) and (B6) - (B9) that under transformation $\theta_3 \leftrightarrow \theta_4$ the coefficients $a_2(2\tau)$, $a_2(\tau)$, $a_2(\tau/2)$, $a_3(2\tau)$, $a_3(\tau)$ and $a_3(\tau/2)$ transforms as

$$a_2(2\tau) \leftrightarrow a_2(2\tau) \quad (\text{B17})$$

$$a_2(\tau) \leftrightarrow a_2(\tau) \quad (\text{B18})$$

$$a_2(\tau/2) \leftrightarrow (2+2^4)a_2(\tau) - 2^4 a_2(2\tau) - a_2(\tau/2) \quad (\text{B19})$$

$$a_3(2\tau) \leftrightarrow a_3(2\tau) \quad (\text{B20})$$

$$a_3(\tau) \leftrightarrow a_3(\tau) \quad (\text{B21})$$

$$a_3(\tau/2) \leftrightarrow (2+2^6)a_3(\tau) - 2^6 a_3(2\tau) - a_3(\tau/2) \quad (\text{B22})$$

The general formula for the coefficients $a_p(2\tau)$, $a_p(\tau)$ and $a_p(\tau/2)$ under transformation

$\theta_3 \leftrightarrow \theta_4$ are given by

$$a_p(2\tau) \leftrightarrow a_p(\tau) \quad (\text{B23})$$

$$a_p(\tau) \leftrightarrow a_p(\tau) \quad (\text{B24})$$

$$a_p(\tau/2) \leftrightarrow (2 + 2^{2p})a_p(\tau) - 2^{2p}a_p(2\tau) - a_p(\tau/2) \quad (\text{B25})$$

The proof is very similar to the proof for above Lemma and we will not give it here.

In the similar way one can proved that behavior of the coefficients $a_p(2\tau)$, $a_p(\tau)$ and $a_p(\tau/2)$ under transformation $\theta_2 \leftrightarrow \theta_3$ are given by

$$a_p(2\tau) \leftrightarrow (1 + 2^{1-2p})a_p(\tau) - a_p(2\tau) - 2^{-2p}a_p(\tau/2) \quad (\text{B26})$$

$$a_p(\tau) \leftrightarrow a_p(\tau) \quad (\text{B27})$$

$$a_p(\tau/2) \leftrightarrow a_p(\tau/2) \quad (\text{B28})$$

Appendix C: Relations between $K_{2p}^{1/2,1/2}(\tau)$, $K_{2p}^{1/2,0}(\tau)$, $K_{2p}^{0,1/2}(\tau)$ and $K_{2p}^{0,0}(\tau)$

In this section we will show that behavior of the $K_{2p}^{\frac{1}{2},0}(\tau)$ under transformation $\theta_2 \leftrightarrow \theta_4$ is given by

$$K_{2p}^{\frac{1}{2},0}(\tau) \leftrightarrow (-1)^p K_{2p}^{0,\frac{1}{2}}(\tau) \quad (\text{C1})$$

behavior of the $K_{2p}^{\frac{1}{2},\frac{1}{2}}(\tau)$ under transformation $\theta_2 \leftrightarrow \theta_3$ is given by

$$K_{2p}^{\frac{1}{2},\frac{1}{2}}(\tau) \leftrightarrow K_{2p}^{0,\frac{1}{2}}(\tau) \quad (\text{C2})$$

and behavior of the $K_{2p}^{\frac{1}{2},\frac{1}{2}}(\tau)$ under transformation $\theta_3 \leftrightarrow \theta_4$ is given by

$$K_{2p}^{\frac{1}{2},\frac{1}{2}}(\tau) \leftrightarrow K_{2p}^{\frac{1}{2},0}(\tau) \quad (\text{C3})$$

The Kronecker functions $K_{2p}^{0,0}(\tau)$ can be expressed through $K_{2p}^{1/2,1/2}(\tau)$, $K_{2p}^{1/2,0}(\tau)$, $K_{2p}^{0,1/2}(\tau)$ as

$$(2^{2-2p} - 1) K_{2p}^{0,0}(\tau) = K_{2p}^{\frac{1}{2},\frac{1}{2}}(\tau) + K_{2p}^{\frac{1}{2},0}(\tau) + K_{2p}^{0,\frac{1}{2}}(\tau) \quad (\text{C4})$$

The Kronecker functions $K_{2p}^{0,0}(\tau)$ are related directly to the coefficients $a_p(\tau)$

$$K_{2p}^{0,0}(\tau) = -\frac{(2p)!}{(-4\pi^2)^p} \frac{a_p(\tau)}{(2p-1)} \quad (\text{C5})$$

and as result the Kronecker functions $K_{2p}^{0,0}(\tau)$ obeys all equations which satisfied by $a_p(\tau)$, namely (B14) - (B15) and (B23) - (B28).

The Kronecker functions $K_{2p+2}^{\alpha,\beta}(\rho)$ with $(\alpha, \beta) = (1/2, 1/2), (1/2, 0)$ and $(0, 1/2)$ can in turn be related to the function $K_{2p}^{0,0}(\tau)$ by means of simple resummation of Kronecker's double series (see for example Appendix F in [7])

$$K_{2p}^{\frac{1}{2},\frac{1}{2}}(\tau) = (1 + 2^{2-2p}) K_{2p}^{0,0}(\tau) - 2^{1-2p} K_{2p}^{0,0}(\tau/2) - 2 K_{2p}^{0,0}(2\tau) \quad (C6)$$

$$K_{2p}^{\frac{1}{2},0}(\tau) = -K_{2p}^{0,0}(\tau) + 2^{1-2p} K_{2p}^{0,0}(\tau/2) \quad (C7)$$

$$K_{2p}^{0,\frac{1}{2}}(\tau) = -K_{2p}^{0,0}(\tau) + 2 K_{2p}^{0,0}(2\tau) \quad (C8)$$

From Eqs. (C6) - (C8) one can easily obtain Eq. (C4).

Let us now consider behavior $K_{2p}^{\frac{1}{2},0}(\tau)$ of under transformation $\theta_2 \leftrightarrow \theta_4$. First we expressed $K_{2p}^{\frac{1}{2},0}(\tau)$ in terms of $a_p(\tau)$ and $a_p(\tau/2)$. From (C5) and (C7) we obtain

$$K_{2p}^{\frac{1}{2},0}(\tau) = -K_{2p}^{0,0}(\tau) + 2^{1-2p} K_{2p}^{0,0}(\tau/2) \quad (C9)$$

$$= \frac{(2p)!}{(-4\pi^2)^p(2p-1)} [a_p(\tau) - 2^{1-2p} a_p(\tau/2)] \quad (C10)$$

Now using Eqs. (B14) and (B15) we can obtain behavior of the $K_{2p}^{\frac{1}{2},0}(\tau)$ under transformation $\theta_2 \leftrightarrow \theta_4$

$$\begin{aligned} K_{2p}^{\frac{1}{2},0}(\tau) &\leftrightarrow \frac{(2p)!}{(-4\pi^2)^p(2p-1)} [(-1)^p a_p(\tau) - (-1)^p 2 a_p(\tau/2)] \\ &= -(-1)^p K_{2p}^{0,0}(\tau) + 2(-1)^p K_{2p}^{0,0}(\tau/2) \\ &= (-1)^p K_{2p}^{0,\frac{1}{2}}(\tau) \end{aligned} \quad (C11)$$

Thus we have proved Eq. (C1). Note, that in derivation of Eq. (C11) we have also used Eqs. (C5) and (C8).

Let us now consider behavior $K_{2p}^{\frac{1}{2},\frac{1}{2}}(\tau)$ under transformation $\theta_3 \leftrightarrow \theta_4$. First we expressed $K_{2p}^{\frac{1}{2},\frac{1}{2}}(\tau)$ in terms of $a_p(2\tau)$, $a_p(\tau)$ and $a_p(\tau/2)$. From (C5) and (C6) we obtain

$$K_{2p}^{\frac{1}{2},\frac{1}{2}}(\tau) = (1 + 2^{2-2p}) K_{2p}^{0,0}(\tau) - 2^{1-2p} K_{2p}^{0,0}(\tau/2) - 2 K_{2p}^{0,0}(2\tau) \quad (C12)$$

$$= -\frac{(2p)!}{(-4\pi^2)^p(2p-1)} [(1 + 2^{2-2p}) a_p(\tau) - 2^{1-2p} a_p(\tau/2) - 2 a_p(2\tau)] \quad (C13)$$

Now using Eqs. (B23) and (B25) we can obtain behavior of the $K_{2p}^{\frac{1}{2},\frac{1}{2}}(\tau)$ under transformation

$\theta_3 \leftrightarrow \theta_4$

$$\begin{aligned}
\mathbb{K}_{2p}^{\frac{1}{2}, \frac{1}{2}}(\tau) &\leftrightarrow \frac{-(2p)!}{(-4\pi^2)^p(2p-1)} \\
&\times \left\{ (1 + 2^{2-2p})a_p(\tau) - 2^{1-2p} \left[(2 + 2^{2p})a_p(\tau) - 2^{2p}a_p(2\tau) - a_p\left(\frac{\tau}{2}\right) \right] - 2a_p(2\tau) \right\} \\
&= -\frac{(2p)!}{(-4\pi^2)^p(2p-1)} [-a_p(\tau) + 2^{1-2p}a_p(\tau/2)] \\
&= -\mathbb{K}_{2p}^{0,0}(\tau) + 2^{1-2p} \mathbb{K}_{2p}^{0,0}(\tau/2) \\
&= \mathbb{K}_{2p}^{\frac{1}{2}, 0}(\tau)
\end{aligned} \tag{C14}$$

Thus we have proved Eq. (C3). Along the same lines one can prove the Eq. (C2).

Appendix D: Relation between elliptic theta functions, elliptic integral and gamma function

The elliptic theta functions and the elliptic integral of the second kind E at particular values of the aspect ratios $\rho = 1/4, 1/2, 1$ and 2 given by

$$\begin{aligned}
\theta_2 &= 2^{15/16} \sqrt[4]{\frac{2 + \sqrt{2}}{\pi}} \sqrt[8]{x}, \quad \theta_3 = \left(\sqrt[4]{2} + 1\right) \sqrt[4]{\frac{2}{\pi}} \sqrt[8]{x}, \quad \theta_4 = \left(\sqrt[4]{2} - 1\right) \sqrt[4]{\frac{2}{\pi}} \sqrt[8]{x}, \\
E &= \frac{\sqrt{\pi} \left((11 + \sqrt[4]{2} - \sqrt{2} + 5 \times 2^{3/4}) \sqrt{x} + 2(1 + \sqrt[4]{2})^3 \right)}{(1 + \sqrt[4]{2})^3 (2 + \sqrt{2} + 2 \times 2^{3/4}) \sqrt[4]{x}}
\end{aligned} \tag{D1}$$

for $\rho = 1/4$,

$$\begin{aligned}
\theta_2 &= \frac{2^{7/8} \sqrt[8]{x}}{\sqrt[4]{\pi}}, \quad \theta_3 = \frac{\sqrt{2 + \sqrt{2}} \sqrt[8]{x}}{\sqrt[4]{\pi}}, \quad \theta_4 = \frac{\sqrt{2 - \sqrt{2}} \sqrt[8]{x}}{\sqrt[4]{\pi}}, \\
E &= \frac{\sqrt{\pi} \sqrt[4]{x}}{2 + \sqrt{2}} + \frac{\sqrt{\pi}}{(2 + \sqrt{2}) \sqrt[4]{x}}
\end{aligned} \tag{D2}$$

for $\rho = 1/2$,

$$\theta_2 = \theta_4 = \sqrt[4]{\frac{2}{\pi}} \sqrt[8]{x}, \quad \theta_3 = \frac{\sqrt{2}}{\sqrt[4]{\pi}} \sqrt[8]{x}, \quad E = \frac{1}{4} \sqrt{\pi} \sqrt[4]{\frac{1}{x}} + \frac{\sqrt{\pi}}{2 \sqrt[4]{\frac{1}{x}}} \tag{D3}$$

for $\rho = 1$,

$$\begin{aligned}
\theta_2 &= \frac{\sqrt{1 - \frac{1}{\sqrt{2}}} \sqrt[8]{x}}{\sqrt[4]{\pi}}, \quad \theta_3 = \frac{\sqrt{1 + \frac{1}{\sqrt{2}}} \sqrt[8]{x}}{\sqrt[4]{\pi}}, \quad \theta_4 = \frac{2^{3/8} \sqrt[8]{x}}{\sqrt[4]{\pi}}, \\
E &= \frac{\sqrt{\pi} \left(\sqrt{2} \sqrt{x} + \frac{1}{2 + \sqrt{2}} \right)}{2 \sqrt[4]{x}}
\end{aligned} \tag{D4}$$

for $\rho = 2$, where

$$x = \frac{\pi^4}{16\Gamma\left(\frac{3}{4}\right)^8}$$

and $\Gamma(z)$ is the gamma function.

- [1] Fisher M and Barber M N 1972 Phys. Rev. Lett. 28 1516
- [2] P.W. Kasteleyn, Physica **27**, 1209 (1961).
- [3] H.N.V Temperley and M.E. Fisher , Phil. Mag. **6**, 1061 (1961).
- [4] H. J. Brascamp and H. Kunz, J. Math. Phys. **15**, 66 (1974).
- [5] W. Janke and R. Kenna, Phys. Rev. B **65**, 064110 (2002).
- [6] N. Sh. Izmailian, K. B. Oganesyan and C.-K. Hu, Phys. Rev. E **65**, 056132 (2002).
- [7] E. Ivashkevich, N. Sh. Izmailian and Chin-Kun Hu, J. Phys. A: Math. Gen. **35**, 5543 (2002).
- [8] N. Sh. Izmailian, Vl. V. Papoyan and R. M. Ziff, J. Phys. A: Math. Theor. **52**, 335001 (2019).
- [9] A. Weil, *Elliptic functions according to Eisenshtein and Kronecker* (Berlin-Heidelberg-New York, Springer-Verlag, 1976).
- [10] N. Sh. Izmailian and C.-K. Hu, Phys. Rev. E **76**, 041118 (2007).
- [11] V. Kotesovec, On-line encyclopedia of integer sequences, (2013) (<https://oeis.org/A012495>).
- [12] G. A. Korn and T. M. Korn, *Mathematical Handbook* (New-York, McGraw-Hill, 1968).

SUPPLEMENTARY MATERIALS

I. KRONECKER FUNCTIONS $K_{2p+2}^{\frac{1}{2},0}(\tau)$ FOR p FROM 1 UP TO 22

$$\begin{aligned}
 K_4^{\frac{1}{2},0}(\tau) &= -\frac{11}{120}\theta_2^4\theta_3^4 + \frac{7(\theta_2^8 + \theta_3^8)}{240} \\
 K_6^{\frac{1}{2},0}(\tau) &= \frac{5}{448}\theta_2^4\theta_3^4(\theta_2^4 + \theta_3^4) - \frac{31(\theta_2^{12} + \theta_3^{12})}{1344} \\
 K_8^{\frac{1}{2},0}(\tau) &= \frac{31}{640}\theta_2^8\theta_3^8 - \frac{71}{960}\theta_2^4\theta_3^4(\theta_2^8 + \theta_3^8) + \frac{127(\theta_2^{16} + \theta_3^{16})}{3840} \\
 K_{10}^{\frac{1}{2},0}(\tau) &= -\frac{2515\theta_2^8\theta_3^8(\theta_2^4 + \theta_3^4)}{640} + \frac{6305\theta_2^4\theta_3^4(\theta_2^{12} + \theta_3^{12})}{3840} - \frac{2555(\theta_2^{20} + \theta_3^{20})}{11520} \\
 K_{12}^{\frac{1}{2},0}(\tau) &= -\frac{16896}{1196581\theta_2^{12}\theta_3^{12}} + \frac{33792}{1506209\theta_2^8\theta_3^8(\theta_2^8 + \theta_3^8)} - \frac{33792}{707921\theta_2^4\theta_3^4(\theta_2^{16} + \theta_3^{16})} + \frac{1414477(\theta_2^{24} + \theta_3^{24})}{11520} \\
 K_{14}^{\frac{1}{2},0}(\tau) &= \frac{1397760}{91357\theta_2^{12}\theta_3^{12}(\theta_2^4 + \theta_3^4)} - \frac{1863680}{87787\theta_2^8\theta_3^8(\theta_2^{12} + \theta_3^{12})} + \frac{931840}{200669\theta_2^4\theta_3^4(\theta_2^{20} + \theta_3^{20})} - \frac{5591040}{57337(\theta_2^{28} + \theta_3^{28})} \\
 K_{16}^{\frac{1}{2},0}(\tau) &= \frac{49152}{175689853\theta_2^{16}\theta_3^{16}} - \frac{77517193\theta_2^{12}\theta_3^{12}(\theta_2^8 + \theta_3^8)}{118518239(\theta_2^{32} + \theta_3^{32})} + \frac{49152}{835584} \\
 &\quad - \frac{8355840}{59259247\theta_2^4\theta_3^4(\theta_2^{24} + \theta_3^{24})} + \frac{2088960}{118518239(\theta_2^{32} + \theta_3^{32})} \\
 K_{18}^{\frac{1}{2},0}(\tau) &= -\frac{2088960}{3098219601\theta_2^{16}\theta_3^{16}(\theta_2^4 + \theta_3^4)} + \frac{16711680}{505791023\theta_2^{12}\theta_3^{12}(\theta_2^{12} + \theta_3^{12})} \\
 &\quad - \frac{17432576}{3907992891\theta_2^8\theta_3^8(\theta_2^{20} + \theta_3^{20})} + \frac{1245184}{8624536737\theta_2^4\theta_3^4(\theta_2^{28} + \theta_3^{28})} - \frac{5749691557(\theta_2^{36} + \theta_3^{36})}{11520} \\
 K_{20}^{\frac{1}{2},0}(\tau) &= -\frac{8716288}{3551633751\theta_2^{20}\theta_3^{20}} + \frac{34865152}{21479663963\theta_2^{16}\theta_3^{16}(\theta_2^8 + \theta_3^8)} - \frac{104595456}{8613676633\theta_2^{12}\theta_3^{12}(\theta_2^{16} + \theta_3^{16})} \\
 &\quad + \frac{1310720}{5721642357\theta_2^8\theta_3^8(\theta_2^{24} + \theta_3^{24})} - \frac{5767168}{45773138761\theta_2^4\theta_3^4(\theta_2^{32} + \theta_3^{32})} + \frac{1441792}{91546277357(\theta_2^{40} + \theta_3^{40})} \\
 K_{22}^{\frac{1}{2},0}(\tau) &= \frac{1048576}{1035526721273\theta_2^{20}\theta_3^{20}(\theta_2^4 + \theta_3^4)} - \frac{17301504}{3501667967105\theta_2^{16}\theta_3^{16}(\theta_2^{12} + \theta_3^{12})} \\
 &\quad + \frac{48234496}{9543059116855\theta_2^{12}\theta_3^{12}(\theta_2^{20} + \theta_3^{20})} - \frac{48234496}{22792544264765\theta_2^8\theta_3^8(\theta_2^{28} + \theta_3^{28})} \\
 &\quad + \frac{96468992}{9856235358167\theta_2^4\theta_3^4(\theta_2^{36} + \theta_3^{36})} - \frac{289406976}{1792042792463(\theta_2^{44} + \theta_3^{44})} \\
 K_{24}^{\frac{1}{2},0}(\tau) &= \frac{289406976}{947833164830561\theta_2^{24}\theta_3^{24}} - \frac{289406976}{880690999522413\theta_2^{20}\theta_3^{20}(\theta_2^8 + \theta_3^8)} \\
 &\quad + \frac{1908408320}{2484201125272677\theta_2^{16}\theta_3^{16}(\theta_2^{16} + \theta_3^{16})} - \frac{954204160}{309828617611705\theta_2^{12}\theta_3^{12}(\theta_2^{24} + \theta_3^{24})} \\
 &\quad + \frac{1526726656}{5080836512554967\theta_2^8\theta_3^8(\theta_2^{32} + \theta_3^{32})} - \frac{163577856}{991382734156301\theta_2^4\theta_3^4(\theta_2^{40} + \theta_3^{40})} \\
 &\quad + \frac{3816816640}{1982765468311237(\theta_2^{48} + \theta_3^{48})} \\
 K_{26}^{\frac{1}{2},0}(\tau) &= -\frac{22900899840}{136889898548195\theta_2^{24}\theta_3^{24}(\theta_2^4 + \theta_3^4)} + \frac{1673322058062291\theta_2^{20}\theta_3^{20}(\theta_2^{12} + \theta_3^{12})}{11520} \\
 &\quad - \frac{16777216}{8188865094982195\theta_2^{16}\theta_3^{16}(\theta_2^{20} + \theta_3^{20})} + \frac{67108864}{4168114478433061\theta_2^{12}\theta_3^{12}(\theta_2^{28} + \theta_3^{28})} \\
 &\quad - \frac{201326592}{100663296}
 \end{aligned}$$

$$\begin{aligned}
& - \frac{874436380744225\theta_2^8\theta_3^8(\theta_2^{36} + \theta_3^{36})}{33554432 \cdot 286994504449393(\theta_2^{52} + \theta_3^{52})} + \frac{1865464278921035\theta_2^4\theta_3^4(\theta_2^{44} + \theta_3^{44})}{201326592} \\
K_{28}^{\frac{1}{2},0}(\tau) &= - \frac{201326592}{1171000222204507961\theta_2^{28}\theta_3^{28}} + \frac{15531844885805893267\theta_2^{24}\theta_3^{24}(\theta_2^8 + \theta_3^8)}{48038616613021249439\theta_2^{20}\theta_3^{20}(\theta_2^{16} + \theta_3^{16})} + \frac{38923141120}{132664838228939869363\theta_2^{16}\theta_3^{16}(\theta_2^{24} + \theta_3^{24})} \\
& - \frac{58384711680}{29983372729258965709\theta_2^{12}\theta_3^{12}(\theta_2^{32} + \theta_3^{32})} + \frac{116769423360}{68334146633631216569\theta_2^8\theta_3^8(\theta_2^{40} + \theta_3^{40})} \\
& - \frac{29192355840}{11156595368756115313\theta_2^4\theta_3^4(\theta_2^{48} + \theta_3^{48})} + \frac{116769423360}{3187598676787461083(\theta_2^{56} + \theta_3^{56})} \\
K_{30}^{\frac{1}{2},0}(\tau) &= \frac{58384711680}{10896399043041685054485\theta_2^{28}\theta_3^{28}(\theta_2^4 + \theta_3^4)} - \frac{116769423360}{121823872520977551984755\theta_2^{24}\theta_3^{24}(\theta_2^{12} + \theta_3^{12})} \\
& + \frac{2563021733888}{6742061592391763230675\theta_2^{20}\theta_3^{20}(\theta_2^{20} + \theta_3^{20})} - \frac{7689065201664}{90538418335015044400165\theta_2^{16}\theta_3^{16}(\theta_2^{28} + \theta_3^{28})} \\
& + \frac{233001975808}{220799850682305212371595\theta_2^{12}\theta_3^{12}(\theta_2^{36} + \theta_3^{36})} - \frac{2563021733888}{38305704907601712360085\theta_2^8\theta_3^8(\theta_2^{44} + \theta_3^{44})} \\
& + \frac{7689065201664}{11563986387200516958485\theta_2^4(\theta_2^{52} + \theta_3^{52})\theta_3^4} - \frac{2563021733888}{4625594554880206790555(\theta_2^{60} + \theta_3^{60})} \\
K_{32}^{\frac{1}{2},0}(\tau) &= \frac{2563021733888}{30621931903245061001823\theta_2^{32}\theta_3^{32}} - \frac{7689065201664}{22136561748054056732629\theta_2^{28}\theta_3^{28}(\theta_2^8 + \theta_3^8)} \\
& + \frac{182536110080}{96754996930473911134807\theta_2^{24}\theta_3^{24}(\theta_2^{16} + \theta_3^{16})} - \frac{68451041280}{25519564836553853433157\theta_2^{20}\theta_3^{20}(\theta_2^{24} + \theta_3^{24})} \\
& + \frac{136902082560}{333513716585974533630841\theta_2^{16}\theta_3^{16}(\theta_2^{32} + \theta_3^{32})} - \frac{22817013760}{3621546457421076636589\theta_2^{12}\theta_3^{12}(\theta_2^{40} + \theta_3^{40})} \\
& + \frac{273804165120}{19659823527765243068731\theta_2^8\theta_3^8(\theta_2^{48} + \theta_3^{48})} - \frac{4026531840}{8277820432743260239327\theta_2^4\theta_3^4(\theta_2^{56} + \theta_3^{56})} \\
& + \frac{45634027520}{16555640865486520478399(\theta_2^{64} + \theta_3^{64})} - \frac{68451041280}{68451041280} \\
K_{34}^{\frac{1}{2},0}(\tau) &= - \frac{1095216660480}{118439626350618713800811\theta_2^{32}\theta_3^{32}(\theta_2^4 + \theta_3^4)} \\
& + \frac{25769803776}{106493789804834996083013\theta_2^{28}\theta_3^{28}(\theta_2^{12} + \theta_3^{12})} \\
& - \frac{6442450944}{216509948951237306150495\theta_2^{24}\theta_3^{24}(\theta_2^{20} + \theta_3^{20})} \\
& + \frac{6442450944}{607858071234791048328109\theta_2^{20}\theta_3^{20}(\theta_2^{28} + \theta_3^{28})} \\
& - \frac{12884901888}{597858187751194483607467\theta_2^{16}\theta_3^{16}(\theta_2^{36} + \theta_3^{36})} \\
& + \frac{12884901888}{202177041365619323396399\theta_2^{12}\theta_3^{12}(\theta_2^{44} + \theta_3^{44})} \\
& - \frac{6442450944}{89693087472909124803077\theta_2^8\theta_3^8(\theta_2^{52} + \theta_3^{52})} \\
& + \frac{6442450944}{188208445844792917619599\theta_2^4\theta_3^4(\theta_2^{60} + \theta_3^{60})} \\
& - \frac{51539607552}{22142170099387402072897(\theta_2^{68} + \theta_3^{68})} \\
& - \frac{51539607552}{51539607552}
\end{aligned}$$

$$\begin{aligned}
K_{36}^{\frac{1}{2},0}(\tau) &= - \frac{3667125319840020570179017389421\theta_2^{36}\theta_3^{36}}{16485716569620480} \\
&+ \frac{44966757238261977789777786106807\theta_2^{32}\theta_3^{32}(\theta_2^8 + \theta_3^8)}{10990477713080320} \\
&- \frac{192517819647994267676258046519\theta_2^{28}\theta_3^{28}(\theta_2^{16} + \theta_3^{16})}{196258530590720} \\
&+ \frac{9467345087694458564687816995457\theta_2^{24}\theta_3^{24}(\theta_2^{24} + \theta_3^{24})}{5495238856540160} \\
&- \frac{851732767082167845675850057269\theta_2^{20}\theta_3^{20}(\theta_2^{32} + \theta_3^{32})}{392517061181440} \\
&+ \frac{1526972544245260452525638353851\theta_2^{16}\theta_3^{16}(\theta_2^{40} + \theta_3^{40})}{785034122362880} \\
&- \frac{1667092652896071067599216136087\theta_2^{12}\theta_3^{12}(\theta_2^{48} + \theta_3^{48})}{1373809714135040} \\
&+ \frac{169534846053651607967969336793\theta_2^8\theta_3^8(\theta_2^{56} + \theta_3^{56})}{338168545017856} \\
&- \frac{1356278768429212863743753144229\theta_2^4\theta_3^4(\theta_2^{64} + \theta_3^{64})}{10990477713080320} \\
&+ \frac{904185845619475242495834469891(\theta_2^{72} + \theta_3^{72})}{65942866278481920} \\
K_{38}^{\frac{1}{2},0}(\tau) &= \frac{2852246734450631327974519559\theta_2^{36}\theta_3^{36}(\theta_2^4 + \theta_3^4)}{412316860416} \\
&- \frac{3801448207399525375545935757\theta_2^{32}\theta_3^{32}(\theta_2^{12} + \theta_3^{12})}{137438953472} \\
&+ \frac{4157357521550898151373438425\theta_2^{28}\theta_3^{28}(\theta_2^{20} + \theta_3^{20})}{68719476736} \\
&- \frac{6534021277146756862647544409\theta_2^{24}\theta_3^{24}(\theta_2^{28} + \theta_3^{28})}{68719476736} \\
&+ \frac{7461725666058508052854875411\theta_2^{20}\theta_3^{20}(\theta_2^{36} + \theta_3^{36})}{68719476736} \\
&- \frac{6143524271369988690255414611\theta_2^{16}\theta_3^{16}(\theta_2^{44} + \theta_3^{44})}{68719476736} \\
&+ \frac{14226469796192740845897263653\theta_2^{12}\theta_3^{12}(\theta_2^{52} + \theta_3^{52})}{274877906944} \\
&- \frac{5499307652316258215210101893\theta_2^8\theta_3^8(\theta_2^{60} + \theta_3^{60})}{274877906944} \\
&+ \frac{3825605323350440497537462217\theta_2^4\theta_3^4(\theta_2^{68} + \theta_3^{68})}{824633720832} \\
&- \frac{402695297194783210267101289(\theta_2^{76} + \theta_3^{76})}{824633720832} \\
K_{40}^{\frac{1}{2},0}(\tau) &= \frac{776282447024100436433067199373209\theta_2^{40}\theta_3^{40}}{1859549040476160} \\
&- \frac{14036112305851241875145644196825\theta_2^{36}\theta_3^{36}(\theta_2^8 + \theta_3^8)}{16904991277056} \\
&+ \frac{515217769555627240494724998479051\theta_2^{32}\theta_3^{32}(\theta_2^{16} + \theta_3^{16})}{247939872063488} \\
&- \frac{123593850134383447567767267463327\theta_2^{28}\theta_3^{28}(\theta_2^{24} + \theta_3^{24})}{30992484007936}
\end{aligned}$$

$$\begin{aligned}
& + \frac{350049827472574260987547796213975\theta_2^{24}\theta_3^{24} (\theta_2^{32} + \theta_3^{32})}{61984968015872} \\
& - \frac{913858513244591357749396537938463\theta_2^{20}\theta_3^{20} (\theta_2^{40} + \theta_3^{40})}{154962420039680} \\
& + \frac{2226073600495988785480285594300727\theta_2^{16}\theta_3^{16} (\theta_2^{48} + \theta_3^{48})}{495879744126976} \\
& - \frac{300519585647601443432448861337967\theta_2^{12}\theta_3^{12} (\theta_2^{56} + \theta_3^{56})}{123969936031744} \\
& + \frac{654863574694734400557643098296551\theta_2^8\theta_3^8 (\theta_2^{64} + \theta_3^{64})}{743819616190464} \\
& - \frac{71765871199422948006317051864501\theta_2^4\theta_3^4 (\theta_2^{72} + \theta_3^{72})}{371909808095232} \\
& + \frac{143531742398845896012634103722237 (\theta_2^{80} + \theta_3^{80})}{743819616190464} \\
K_{42}^{\frac{1}{2},0}(\tau) = & - \frac{822284007066036731364760859268407\theta_2^{40}\theta_3^{40} (\theta_2^4 + \theta_3^4)}{47278999994368} \\
& + \frac{19611151276914181143927224841391265\theta_2^{36}\theta_3^{36} (\theta_2^{12} + \theta_3^{12})}{283673999966208} \\
& - \frac{15345148676993844700165807413902025\theta_2^{32}\theta_3^{32} (\theta_2^{20} + \theta_3^{20})}{94557999988736} \\
& + \frac{46282722656507324117271131813452635\theta_2^{28}\theta_3^{28} (\theta_2^{28} + \theta_3^{28})}{165476499980288} \\
& - \frac{8523689438595793861074460521791771\theta_2^{24}\theta_3^{24} (\theta_2^{36} + \theta_3^{36})}{23639499997184} \\
& + \frac{65584143307932768521396574286933947\theta_2^{20}\theta_3^{20} (\theta_2^{44} + \theta_3^{44})}{189115999977472} \\
& - \frac{46418328190558079652652837974575025\theta_2^{16}\theta_3^{16} (\theta_2^{52} + \theta_3^{52})}{189115999977472} \\
& + \frac{35229241125030208001963596847308705\theta_2^{12}\theta_3^{12} (\theta_2^{60} + \theta_3^{60})}{283673999966208} \\
& - \frac{4021722115088707851519874367881445\theta_2^8\theta_3^8 (\theta_2^{68} + \theta_3^{68})}{94557999988736} \\
& + \frac{1671365034842060405826441295743419\theta_2^4\theta_3^4 (\theta_2^{76} + \theta_3^{76})}{189115999977472} \\
& - \frac{3342730069684120811652882591487741 (\theta_2^{84} + \theta_3^{84})}{3971435999526912} \\
K_{44}^{\frac{1}{2},0}(\tau) = & - \frac{316086977874576813635921716685516357\theta_2^{44}\theta_3^{44}}{252887674388480} \\
& + \frac{7424936459982096215231011026567595499\theta_2^{40}\theta_3^{40} (\theta_2^8 + \theta_3^8)}{3034652092661760} \\
& - \frac{85724997465342237976245482221938773\theta_2^{36}\theta_3^{36} (\theta_2^{16} + \theta_3^{16})}{13194139533312} \\
& + \frac{2708976221617000695984211097021650611\theta_2^{32}\theta_3^{32} (\theta_2^{24} + \theta_3^{24})}{202310139510784} \\
& - \frac{2642448194071226813707081091723894869\theta_2^{28}\theta_3^{28} (\theta_2^{32} + \theta_3^{32})}{126443837194240} \\
& + \frac{49999540024365571708503697424651509559\theta_2^{24}\theta_3^{24} (\theta_2^{40} + \theta_3^{40})}{2023101395107840}
\end{aligned}$$

$$\begin{aligned}
& - \frac{22281885506484162452905725210888312537\theta_2^{20}\theta_3^{20} (\theta_2^{48} + \theta_3^{48})}{1011550697553920} \\
& + \frac{17681781868449065861256448698649510951\theta_2^{16}\theta_3^{16} (\theta_2^{56} + \theta_3^{56})}{1213860837064704} \\
& - \frac{2103956493475513617412806194652170225\theta_2^{12}\theta_3^{12} (\theta_2^{64} + \theta_3^{64})}{303465209266176} \\
& + \frac{4544546025907108888067127566679279517\theta_2^8\theta_3^8 (\theta_2^{72} + \theta_3^{72})}{2023101395107840} \\
& - \frac{1346532155824328559427297056793858583\theta_2^4\theta_3^4 (\theta_2^{80} + \theta_3^{80})}{3034652092661760} \\
& + \frac{244824028331696101714054010326155761 (\theta_2^{88} + \theta_3^{88})}{6069304185323520} \\
& - \frac{297391622070993976991573472207277922215\theta_2^{44}\theta_3^{44} (\theta_2^4 + \theta_3^4)}{4960996464525312} \\
& + \frac{1255208163645441025867069830173747433379\theta_2^{40}\theta_3^{40} (\theta_2^{12} + \theta_3^{12})}{4960996464525312} \\
& - \frac{3104143637090893736529143717972055061375\theta_2^{36}\theta_3^{36} (\theta_2^{20} + \theta_3^{20})}{4960996464525312} \\
& + \frac{1928142819163811853224419982666621359393\theta_2^{32}\theta_3^{32} (\theta_2^{28} + \theta_3^{28})}{1653665488175104} \\
& - \frac{5498669093067772837511885025812898708815\theta_2^{28}\theta_3^{28} (\theta_2^{36}\theta_3^{28} + \theta_3^{36})}{3307330976350208} \\
& + \frac{6005291343745489318010265710793662446715\theta_2^{24}\theta_3^{24} (\theta_2^{44}\theta_3^{24} + \theta_3^{44})}{3307330976350208} \\
& - \frac{14959045003089612896663513936646599397277\theta_2^{20}\theta_3^{20} (\theta_2^{52} + \theta_3^{52})}{9921992929050624} \\
& + \frac{9282311689006058804755770730723775251705\theta_2^{16}\theta_3^{16} (\theta_2^{60} + \theta_3^{60})}{9921992929050624} \\
& - \frac{4170591468853218379554156195377673575419\theta_2^{12}\theta_3^{12} (\theta_2^{68} + \theta_3^{68})}{9921992929050624} \\
& + \frac{1282098643227933323156136603943733178215\theta_2^8\theta_3^8 (\theta_2^{76} + \theta_3^{76})}{9921992929050624} \\
& - \frac{241336215195846272594096301918820364675\theta_2^4\theta_3^4 (\theta_2^{84} + \theta_3^{84})}{9921992929050624} \\
& + \frac{20985757843117067182095330601636553591 (\theta_2^{92} + \theta_3^{92})}{9921992929050624} \\
& - \frac{9921992929050624}{9921992929050624}
\end{aligned}$$

II. EXPRESSIONS FOR $f_p(\rho)$ UP TO $p = 22$ FOR $\rho = 1, \frac{1}{2}, \frac{1}{4}, 2$

For $\rho = 1$ we obtain

$$\begin{aligned}
f_0 &= \frac{\ln 2}{8} \\
f_1 &= -\frac{3\pi x}{80}
\end{aligned}$$

$$\begin{aligned}
f_2 &= -\frac{3}{112}\pi^2x^2 \\
f_3 &= -\frac{5}{96}\pi^3x^3 - \frac{51\pi^3x^2}{6400} \\
f_4 &= -\frac{55}{288}\pi^4x^4 - \frac{1581\pi^4x^3}{24640} \\
f_5 &= -\frac{13321\pi^5x^5}{7657\pi^5x^4} - \frac{194481\pi^5x^3}{6656000} \\
f_6 &= -\frac{11520}{542101\pi^6x^6} - \frac{12544}{61087\pi^6x^5} - \frac{6656000}{695439\pi^6x^4} \\
f_7 &= -\frac{51840}{115017733\pi^7x^7} - \frac{8064}{78692629\pi^7x^6} - \frac{788480}{527335359\pi^7x^5} - \frac{4908285459\pi^7x^4}{9052160000} \\
f_8 &= -\frac{870912}{5756183\pi^8x^8} - \frac{645120}{1725993239\pi^8x^7} - \frac{22077440}{13582698777\pi^8x^6} - \frac{9052160000}{45827475939\pi^8x^5} \\
f_9 &= -\frac{2592}{2148549737147\pi^9x^9} - \frac{691200}{31661477437\pi^9x^8} - \frac{19317760}{1896945157029\pi^9x^7} - \frac{1112883200}{80281600} \\
f_{10} &= -\frac{44789760}{7659504065571\pi^9x^6} - \frac{497664}{5745066548067\pi^9x^5} - \frac{80281600}{2297923022467\pi^{10}x^9} - \frac{3157073920}{869649762250379\pi^{10}x^{10}} - \frac{181043200000}{207315646375039\pi^{10}x^8} \\
f_{11} &= -\frac{671846400}{674147548149805\pi^{10}x^7} - \frac{1161216}{136225823565023199\pi^{10}x^6} - \frac{225792000}{6248405198434919\pi^{11}x^9} - \frac{4821712896}{31535511128526587\pi^{11}x^{11}} - \frac{27848789196800}{205952746180912081\pi^{11}x^{10}} - \frac{151388160}{40052503991362401\pi^{11}x^6} \\
f_{12} &= -\frac{739031040}{95518808753811303811\pi^{11}x^8} - \frac{2786918400}{5484466195879128003\pi^{11}x^7} - \frac{8860467200000}{86669096589674209\pi^{12}x^{10}} - \frac{11250663424000}{2040693071092065689\pi^{12}x^{12}} - \frac{10245373952000}{15358240756540490099\pi^{12}x^{11}} - \frac{4702924800}{13494879602814313622707\pi^{12}x^9} \\
f_{13} &= -\frac{40550400}{18796598657437470068763\pi^{12}x^8} - \frac{24108564480000}{92157859018119163563\pi^{12}x^7} - \frac{74462003200000}{3172513528524656936351\pi^{13}x^{12}} - \frac{351416326553600}{520602992066918308777679\pi^{13}x^{13}} - \frac{6602906419200}{181319329699630676664109\pi^{13}x^{11}} - \frac{18811699200}{44022566697938641078793\pi^{13}x^{10}} \\
f_{14} &= -\frac{1430618112000}{34090670526980051774173844409\pi^{13}x^9} - \frac{1084885401600}{13884760353399068454975873\pi^{13}x^8} - \frac{61267336232960000}{1163318131652092960248243\pi^{13}x^7} - \frac{873642065920000000}{397218568498032958607445097\pi^{14}x^{14}} - \frac{162331180462100981610539\pi^{14}x^{13}}{92440689868800} - \frac{16124313600}{5756016088993593985326211\pi^{14}x^{11}} \\
f_{15} &= -\frac{3336514842244765886003851\pi^{14}x^{12}}{2244047930880446135066260501059\pi^{14}x^{10}} - \frac{1771241472000}{640197168677863827977215839\pi^{14}x^9} - \frac{4070040000266240000}{24126792611621365264472195553\pi^{14}x^8} - \frac{17735281541120000}{40811134713856000000} - \frac{128441725535740914900209403221\pi^{15}x^{15}}{475409262182400} - \frac{55921985408955885360969306137\pi^{15}x^{14}}{81266540544000}
\end{aligned}$$

$$\begin{aligned}
& \frac{6108394326483094776919412653\pi^{15}x^{13}}{9364045824000} - \frac{24464368317612497453232645551\pi^{15}x^{12}}{85019590656000} \\
& \frac{1652775095065800888553415430713\pi^{15}x^{11}}{27361613447168000} - \frac{24934515674303566083742454701648017\pi^{15}x^{10}}{4526242286010368000000} \\
& \frac{2521288645078062619531491094773\pi^{15}x^9}{14992477572300800000} - \frac{1722833235086998283748994122243\pi^{15}x^8}{2376306419302400000000} \\
f_{16} = & \frac{9516489632346649832034126909127\pi^{16}x^{16}}{197471029177270693009550037617231\pi^{16}x^{15}} \\
& \frac{647971921658501893104290715367\pi^{16}x^{14}}{3697627594752000} - \frac{7912424507013236824986879209834017\pi^{16}x^{13}}{11588006707200} \\
& \frac{428267497929235233474790475184457\pi^{16}x^{12}}{281202296094720000} \\
& \frac{13366477331441682369813633687122694911\pi^{16}x^{11}}{60464279715840000} \\
& \frac{2896506765024551871764832391530279\pi^{16}x^{10}}{15841848001036288000000} - \frac{9251174347708331336716010052744669\pi^{16}x^9}{9251174347708331336716010052744669} \\
f_{17} = & \frac{802848232418762572617151602550300021\pi^{17}x^{17}}{72151298316697600000} - \frac{18936366507229184000000}{18936366507229184000000} \\
& \frac{797164901334892055861226981313211\pi^{17}x^{16}}{508008754446336000} - \frac{1351009178485652158104214618381229\pi^{17}x^{15}}{1351009178485652158104214618381229} \\
& \frac{16395375330539280620228143670185067\pi^{17}x^{14}}{170659735142400} - \frac{252255928320000}{252255928320000} \\
& \frac{5667262226083992887602869421344629\pi^{17}x^{13}}{5407736463360000} \\
& \frac{6636408366905185881345502517359252987607\pi^{17}x^{12}}{6341347246080000} \\
& \frac{2705581754900307718921492563754143567\pi^{17}x^{11}}{49901821203264307200000} \\
& \frac{1195720352795611878888954285457594263\pi^{17}x^{10}}{303794940280832000000} \\
& \frac{15364880707981812230549298273955035921\pi^{17}x^9}{5854586686406656000000} \\
f_{18} = & \frac{1985305880660525723567053441503600367337\pi^{18}x^{18}}{22860067753689088000000000} \\
& \frac{38639844858819280436848284500078560439\pi^{18}x^{17}}{13716236370051072000} \\
& \frac{4294322270763240180869883048785485747\pi^{18}x^{16}}{84476568895488000} \\
& \frac{16941922899876986013751509137091889\pi^{18}x^{15}}{7532204359680000} \\
& \frac{3609814277663950865795781425348111651267\pi^{18}x^{14}}{47194790952960} \\
& \frac{323014054501005114418489523354570570357\pi^{18}x^{13}}{29677505111654400000} \\
& \frac{14969239356350684754197403182782743603039537\pi^{18}x^{12}}{14759485715251200000} \\
& \frac{236466303817617534161212378306253981475477\pi^{18}x^{11}}{7749998798401699840000000} \\
& \frac{3392887052843352064000000}{3392887052843352064000000}
\end{aligned}$$

$$\begin{aligned}
& \frac{1295061712737177070042806862547087025303\pi^{18}x^{10}}{1981035265371668480000000} \\
f_{19} = & - \frac{589656837799054001043969565446248999860633\pi^{19}x^{19}}{39802024084730019840} \\
& - \frac{5839148597588748191177395559906449786462481\pi^{19}x^{18}}{117140842201743360000} \\
& - \frac{3177025981414842849812724279283983245327\pi^{19}x^{17}}{47329633212825600} \\
& - \frac{14142623749221326706592381342801505933728883\pi^{19}x^{16}}{303698479782297600000} \\
& - \frac{510280115828576467988182537330710801904091\pi^{19}x^{15}}{28555155827431833600} \\
& - \frac{2268273561800152530000023335062906454972414727\pi^{19}x^{14}}{598102980664334745600000} \\
& - \frac{363898926565212865201235212048806162384959355947\pi^{19}x^{13}}{863580957015210794680320000} \\
& - \frac{172437024348956186490822187303620876979062358533\pi^{19}x^{12}}{799124691740281274368000000} \\
& - \frac{2428882337791033792494364733825158474381461\pi^{19}x^{11}}{6313751103829704704000000} \\
& - \frac{4395222219083712314402525268929020481515743\pi^{19}x^{10}}{441064836659412992000000000} \\
f_{20} = & - \frac{17646019049578518365650361024631278792350789\pi^{20}x^{20}}{10474216864402636800} \\
& - \frac{10781679236955811791083693111398883880269227\pi^{20}x^{19}}{1792972074516480000} \\
& - \frac{13213290407165456690792365997156652234709781\pi^{20}x^{18}}{1518492398911488000} \\
& - \frac{35443843747020471205466218930717509099039827\pi^{20}x^{17}}{5371537737646080000} \\
& - \frac{6717887114053440000317645491799192507067499\pi^{20}x^{16}}{2371276052103168000} \\
& - \frac{716322713729305834352207392965783976282705750219\pi^{20}x^{15}}{1029896714154147840000000} \\
& - \frac{4181882757035832839507627070172004268970489650341\pi^{20}x^{14}}{44449019846371143843840000} \\
& - \frac{5310098199740662176881382389927604724279360264789\pi^{20}x^{13}}{830259419989902622720000000} \\
& - \frac{68058027288947865029998544724620422086661947789\pi^{20}x^{12}}{376481401820040695853875200} \\
& - \frac{8871277786923798972548047973421751387106386359\pi^{20}x^{11}}{6596393574215094108160000000} \\
f_{21} = & - \frac{43912125052465651188262201883278457265197417112271\pi^{21}x^{21}}{207389493915172208640000} \\
& - \frac{526113460046059313629796232733820200310668998469\pi^{21}x^{20}}{658379345762451456000} \\
& - \frac{1525543384737615075487625746794013019837508431173\pi^{21}x^{19}}{1233483056346562560000}
\end{aligned}$$

$$\begin{aligned}
& \frac{8203817694504378050378603829269786174492636189\pi^{21}x^{18}}{8057306606469120000} \\
& \frac{7224225484698956919089078087124020966808425112188767\pi^{21}x^{17}}{14920068919833133056000000} \\
& \frac{1300652383350810507769225439882481642832118740889\pi^{21}x^{16}}{9606718321328128000000} \\
& \frac{73977132601670785542087028286361038311044209381850577\pi^{21}x^{15}}{3403986094302670356480000000} \\
& \frac{39965545376656675719673186289004303129172378439968907353\pi^{21}x^{14}}{21349880209808548871484211200000} \\
& \frac{62420048444250459162674692201191289997218037478625341\pi^{21}x^{13}}{825702071138627973283840000000} \\
& \frac{372886865680499985236851989932354272089960082261490403\pi^{21}x^{12}}{346451181169873394776145920000000} \\
& \frac{10791509827253093194178439033064933477473980820837\pi^{21}x^{11}}{4798785422854413352960000000000} \\
f_{22} = & \frac{2276460132625526832964720598498956363849908100123939\pi^{22}x^{22}}{77771060218189578240000} \\
& \frac{469649494525341084383006891500469982326934982655879\pi^{22}x^{21}}{4032573492795015168000} \\
& \frac{1177602768392689731872210917245162036062980095607873561\pi^{22}x^{20}}{6133494497683282329600000} \\
& \frac{24246928098583389296236438181304466317602898788477207\pi^{22}x^{19}}{142130888538115276800000} \\
& \frac{62211048257469096485137078271979191317834687898533350659\pi^{22}x^{18}}{698259225448190627020800000} \\
& \frac{6117621659096256005957953738673178073876207087305375419\pi^{22}x^{17}}{218375554190284947456000000} \\
& \frac{260371778971342128628946758534187637942323177299482208481\pi^{22}x^{16}}{4978329662917655396352000000} \\
& \frac{915928509968911134980215079882835052876067198317814879038611\pi^{22}x^{15}}{1660546238540664912226549760000000} \\
& \frac{1643605636411912855524995438628951746319953294204928131541\pi^{22}x^{14}}{55249182701187607035904000000000} \\
& \frac{862059748366865809160135374679038315502402690349760033539\pi^{22}x^{13}}{1275844132395142458153893888000000} \\
& \frac{3137783501729320786187641039982992572280357959592750029\pi^{22}x^{12}}{769179113139798951329792000000000}
\end{aligned}$$

For $\rho = \frac{1}{2}$ we obtain

$$\begin{aligned}
f_0 &= \frac{3 \ln 2}{8} \\
f_1 &= \frac{\pi x}{160} \\
f_2 &= -\frac{\pi^2 x^2}{1344}
\end{aligned}$$

$$\begin{aligned}
f_3 &= \frac{\pi^3 x^3}{2304} - \frac{3\pi^3 x^2}{51\pi^4 x^3} \\
f_4 &= \frac{394240}{1903\pi^5 x^5} - \frac{13824}{589\pi^5 x^4} \\
f_5 &= \frac{3087\pi^5 x^3}{3317760} - \frac{2007040}{12607\pi^6 x^6} + \frac{212992000}{481\pi^6 x^5} - \frac{5391\pi^6 x^4}{5391\pi^6 x^4} \\
f_6 &= -\frac{9953280}{6765749\pi^7 x^7} + \frac{516096}{306197\pi^7 x^6} - \frac{50462720}{10339909\pi^7 x^5} - \frac{19098387\pi^7 x^4}{1158676480000} \\
f_7 &= \frac{1672151040}{302957\pi^8 x^8} - \frac{82575360}{23643743\pi^8 x^7} + \frac{14129561600}{79430987\pi^8 x^6} - \frac{1158676480000}{89681949\pi^8 x^5} \\
f_8 &= -\frac{17915904}{6300732367\pi^9 x^9} + \frac{1238630400}{772231157\pi^9 x^8} - \frac{14836039680}{20397259753\pi^9 x^7} + \frac{284898099200}{20397259753\pi^9 x^7} \\
f_9 &= \frac{68797071360}{186817172331\pi^9 x^6} - \frac{6370099200}{5615900829\pi^9 x^5} + \frac{452145971200}{5615900829\pi^9 x^5} \\
&\quad - \frac{40410546176000}{1273279300513\pi^{10} x^{10}} + \frac{92694118400000}{1122580861\pi^{10} x^9} - \frac{303536817533\pi^{10} x^8}{693633024000} \\
f_{10} &= -\frac{2063912140800}{329334415315\pi^{10} x^7} + \frac{1189085184}{66484052496351\pi^{10} x^6} - \frac{693633024000}{693633024000} \\
&\quad + \frac{4937434005504}{346544078335457\pi^{11} x^{11}} - \frac{28517160137523200}{50269159429073\pi^{11} x^{10}} + \frac{480646553725763\pi^{11} x^9}{50269159429073\pi^{11} x^{10}} \\
f_{11} &= \frac{68109100646400}{23314329693388163\pi^{11} x^8} - \frac{5707608883200}{6696539921708337\pi^{11} x^7} + \frac{97663529779200}{166192962619761\pi^{11} x^6} \\
&\quad - \frac{23041358692352000}{747232907759819\pi^{12} x^{12}} + \frac{104912629268480000}{1875014132162189\pi^{12} x^{11}} - \frac{308486026035200000}{31735297176739\pi^{12} x^{10}} \\
f_{12} &= -\frac{14860167413760}{1647525284191712077\pi^{12} x^9} + \frac{19263179980800}{2294226615090622491\pi^{12} x^8} - \frac{498283315200}{11251112076439893\pi^{12} x^7} \\
&\quad + \frac{98748680110080000}{9232425471623334737346639304080592047979\pi^{13} x^{13}} - \frac{1439401273563545600}{304996365107200000} + \frac{498283315200}{11251112076439893\pi^{12} x^7} \\
f_{13} &= \frac{1209028275\sqrt{2}(2+\sqrt{2})^{53}}{6528310657784269186557293654205129157591\pi^{13} x^{13}} \\
&\quad + \frac{1209028275(2+\sqrt{2})^{53}}{93758007334768274649543214800826849843\pi^{13} x^{12}} \\
&\quad - \frac{5740875\sqrt{2}(2+\sqrt{2})^{53}}{66296922776952708229419635130155430847\pi^{13} x^{12}} \\
&\quad - \frac{5740875(2+\sqrt{2})^{53}}{3215535107415136607738512390341997585409\pi^{13} x^{11}} \\
&\quad + \frac{261954000\sqrt{2}(2+\sqrt{2})^{53}}{2273726679596656591285536079316291797061\pi^{13} x^{11}} \\
&\quad + \frac{261954000(2+\sqrt{2})^{53}}{1301008835502142383661786304747928843349\pi^{13} x^{10}} \\
&\quad - \frac{331080750\sqrt{2}(2+\sqrt{2})^{53}}{919952169967178397001302721787386009321\pi^{13} x^{10}} \\
&\quad - \frac{331080750(2+\sqrt{2})^{53}}{331080750(2+\sqrt{2})^{53}}
\end{aligned}$$

$$\begin{aligned}
& + \frac{201522452306326671284592294604247380757491903\pi^{13}x^9}{390367257280000\sqrt{2}(2+\sqrt{2})^{53}} \\
& + \frac{142497892587146193055425661242850004876318587\pi^{13}x^9}{390367257280000(2+\sqrt{2})^{53}} \\
& - \frac{410339452093961933651155463957440121607789\pi^{13}x^8}{18697307200000\sqrt{2}(2+\sqrt{2})^{53}} \\
& - \frac{290153809164012941392731587043439769610081\pi^{13}x^8}{18697307200000(2+\sqrt{2})^{53}} \\
& + \frac{6876799988941476978368085533152594577781\pi^{13}x^7}{5332288000000\sqrt{2}(2+\sqrt{2})^{53}} \\
& + \frac{4862631905044093397296250010587647117449\pi^{13}x^7}{5332288000000(2+\sqrt{2})^{53}} \\
f_{14} = & - \frac{51273727577173079192434298871590523946097783\pi^{14}x^{14}}{3627084825\sqrt{2}(2+\sqrt{2})^{57}} \\
& - \frac{50758400653143080875523333333415233691999877\pi^{14}x^{14}}{5077918755(2+\sqrt{2})^{57}} \\
& + \frac{16298563703684889591949312451464462697381\pi^{14}x^{13}}{492075\sqrt{2}(2+\sqrt{2})^{57}} \\
& + \frac{16134754885867123559081777060674018844239\pi^{14}x^{13}}{688905(2+\sqrt{2})^{57}} \\
& - \frac{4737520431077982252355362645467056690959079\pi^{14}x^{12}}{168399000\sqrt{2}(2+\sqrt{2})^{57}} \\
& - \frac{4689905951955079938115808240999167602668501\pi^{14}x^{12}}{235758600(2+\sqrt{2})^{57}} \\
& + \frac{577922212102683062687140151970119877905869\pi^{14}x^{11}}{54054000\sqrt{2}(2+\sqrt{2})^{57}} \\
& + \frac{572113801246592387837516143518183643117511\pi^{14}x^{11}}{75675600(2+\sqrt{2})^{57}} \\
& - \frac{1062108559732129560372517255982515482179939172437\pi^{14}x^{10}}{585550885920000\sqrt{2}(2+\sqrt{2})^{57}} \\
& - \frac{1051433830920012509442103314027927174578992414303\pi^{14}x^{10}}{819771240288000(2+\sqrt{2})^{57}} \\
& + \frac{64277819621048899670396733367926058750476081\pi^{14}x^9}{541237840000\sqrt{2}(2+\sqrt{2})^{57}} \\
& + \frac{63631794987501153579203642142490828890439539\pi^{14}x^9}{757732976000(2+\sqrt{2})^{57}} \\
& - \frac{2422258403952920608988377627599781129124451441\pi^{14}x^8}{1245456992000000\sqrt{2}(2+\sqrt{2})^{57}}
\end{aligned}$$

$$\begin{aligned}
& - \frac{342559068644242735217377829525094037565230197\pi^{14}x^8}{249091398400000 (2 + \sqrt{2})^{57}} \\
f_{15} = & \frac{3285571303180052950931725609299745657625190620509\pi^{15}x^{15}}{108812544750\sqrt{2} (2 + \sqrt{2})^{61}} \\
& + \frac{2323249748550537498393578383725619612427035406809\pi^{15}x^{15}}{108812544750 (2 + \sqrt{2})^{61}} \\
& - \frac{95363643254321589167356803844260273450213192401\pi^{15}x^{14}}{1240029000\sqrt{2} (2 + \sqrt{2})^{61}} \\
& - \frac{67432278823785554821873113351951868197793143101\pi^{15}x^{14}}{1240029000 (2 + \sqrt{2})^{61}} \\
& + \frac{156254247004927022664563191198557313210336997237\pi^{15}x^{13}}{2143260000\sqrt{2} (2 + \sqrt{2})^{61}} \\
& + \frac{110488437646381681092140506745129030386978053137\pi^{15}x^{13}}{2143260000 (2 + \sqrt{2})^{61}} \\
& - \frac{41719035467390522028266018677443539213122826423\pi^{15}x^{12}}{1297296000\sqrt{2} (2 + \sqrt{2})^{61}} \\
& - \frac{29499812883553925288149500263689188515766532523\pi^{15}x^{12}}{1297296000 (2 + \sqrt{2})^{61}} \\
& + \frac{718732770096683120509742464747513975478078161658609\pi^{15}x^{11}}{106463797440000\sqrt{2} (2 + \sqrt{2})^{61}} \\
& + \frac{508220815596356479087976528883562723833185720114909\pi^{15}x^{11}}{106463797440000 (2 + \sqrt{2})^{61}} \\
& - \frac{42520776758808781473143375389788859939409351999605641\pi^{15}x^{10}}{69064976288000000\sqrt{2} (2 + \sqrt{2})^{61}} \\
& - \frac{30066729587473036501963587132707586679788905923624341\pi^{15}x^{10}}{69064976288000000 (2 + \sqrt{2})^{61}} \\
& + \frac{21498396996120192695685131249442918922093091530239\pi^{15}x^9}{1143835264000000\sqrt{2} (2 + \sqrt{2})^{61}} \\
& + \frac{15201662300597091684358396531325638548070010227539\pi^{15}x^9}{1143835264000000 (2 + \sqrt{2})^{61}} \\
& - \frac{2937943866192085805811471249928686142251706335339\pi^{15}x^8}{36259558400000000\sqrt{2} (2 + \sqrt{2})^{61}} \\
& - \frac{2077440030529846676889919678824415106201065602639\pi^{15}x^8}{36259558400000000 (2 + \sqrt{2})^{61}} \\
f_{16} = & - \frac{13231050522721198494761040244708821704455246368030032\sqrt{2}\pi^{16}x^{16}}{359081397675 (2 + \sqrt{2})^{65}} \\
& - \frac{18711531093675947496657323719829828955198721872954016\pi^{16}x^{16}}{359081397675 (2 + \sqrt{2})^{65}}
\end{aligned}$$

$$\begin{aligned}
& + \frac{5719872235043679950454592044429201539938042170410801\pi^{16}x^{15}}{28210659750\sqrt{2}(2+\sqrt{2})^{65}} \\
& + \frac{4044560444920039929496709131187609544172697174509169\pi^{16}x^{15}}{28210659750(2+\sqrt{2})^{65}} \\
& - \frac{56305880398032191707081634943182729521972393688117\pi^{16}x^{14}}{265228425\sqrt{2}(2+\sqrt{2})^{65}} \\
& - \frac{39814269850127264409832324335041607437705566816373\pi^{16}x^{14}}{265228425(2+\sqrt{2})^{65}} \\
& + \frac{229188339363521596145045829315377926202396107323687007\pi^{16}x^{13}}{2145403260000\sqrt{2}(2+\sqrt{2})^{65}} \\
& + \frac{162060628932829862003910908840099040998276974668010783\pi^{16}x^{13}}{2145403260000(2+\sqrt{2})^{65}} \\
& - \frac{37214542344747947497031692838163776134109461970799707\pi^{16}x^{12}}{1383917535000\sqrt{2}(2+\sqrt{2})^{65}} \\
& - \frac{26314655250725194157106210874632385419011584966317083\pi^{16}x^{12}}{1383917535000(2+\sqrt{2})^{65}} \\
& + \frac{387168400787643679404491238790023312825536235587281598081\pi^{16}x^{11}}{120863708504000000\sqrt{2}(2+\sqrt{2})^{65}} \\
& + \frac{273769401658093893411874645631550917741249134943928023489\pi^{16}x^{11}}{120863708504000000(2+\sqrt{2})^{65}} \\
& - \frac{83897855257950733114265273340243502825134145401682343\pi^{16}x^{10}}{550470720800000\sqrt{2}(2+\sqrt{2})^{65}} \\
& - \frac{59324742379904404749929295460993913424124938796939367\pi^{16}x^{10}}{550470720800000(2+\sqrt{2})^{65}} \\
& + \frac{267966068306164953931235914003230265278342064445544099\pi^{16}x^9}{144473011072000000\sqrt{2}(2+\sqrt{2})^{65}} \\
& + \frac{6533814621627132058457660562406627549933994191258239\pi^{16}x^9}{4981827968000000(2+\sqrt{2})^{65}} \\
f_{17} = & \frac{10664763943481223141662278467600706089544461228260078812817\pi^{17}x^{17}}{52323289375500\sqrt{2}(2+\sqrt{2})^{69}} \\
& + \frac{10557577665865102518267061067380021600109973471168959335591\pi^{17}x^{17}}{73252605125700(2+\sqrt{2})^{69}} \\
& - \frac{3641784132818172087109481814502596576574616946603913333\pi^{17}x^{16}}{6045141375\sqrt{2}(2+\sqrt{2})^{69}} \\
& - \frac{3605182358306619912079360288382304290971792421372125859\pi^{17}x^{16}}{8463197925(2+\sqrt{2})^{69}} \\
& + \frac{17946348253913464924941472026079257929567735514164643433\pi^{17}x^{15}}{25981560000\sqrt{2}(2+\sqrt{2})^{69}}
\end{aligned}$$

$$\begin{aligned}
& + \frac{17765978367028594744208641050811561321354047991185158159\pi^{17}x^{15}}{36374184000(2+\sqrt{2})^{69}} \\
& - \frac{74900961683550977835118244307174020530095501245908124101\pi^{17}x^{14}}{191553862500\sqrt{2}(2+\sqrt{2})^{69}} \\
& - \frac{74148169093365726189182443190988443891586451737038336723\pi^{17}x^{14}}{268175407500(2+\sqrt{2})^{69}} \\
& + \frac{1430357839405318582855140652877881276278426181759712799427\pi^{17}x^{13}}{12409634160000\sqrt{2}(2+\sqrt{2})^{69}} \\
& + \frac{1415982018873575287890816180595478341634822565658229291621\pi^{17}x^{13}}{17373487824000(2+\sqrt{2})^{69}} \\
& - \frac{30317901163267397451173061400528448557061794924777617617949721\pi^{17}x^{12}}{1767631736871000000\sqrt{2}(2+\sqrt{2})^{69}} \\
& - \frac{30013190905445851965377040864403468648571184865387567322613983\pi^{17}x^{12}}{2474684431619400000(2+\sqrt{2})^{69}} \\
& + \frac{75873399788504646289977636449517516155097836854288016031569\pi^{17}x^{11}}{66056486496000000\sqrt{2}(2+\sqrt{2})^{69}} \\
& + \frac{75110833702981434596099076654105865656943955194546249651687\pi^{17}x^{11}}{92479081094400000(2+\sqrt{2})^{69}} \\
& - \frac{38237869988565997441822667057231372638934976812029743674223\pi^{17}x^{10}}{1451675928560000000\sqrt{2}(2+\sqrt{2})^{69}} \\
& - \frac{5407651433408917848373958122570171947518462009945541766047\pi^{17}x^{10}}{290335185712000000(2+\sqrt{2})^{69}} \\
& + \frac{7559328528091409181080372822002026537522389844081017257671\pi^{17}x^9}{8720423795200000000\sqrt{2}(2+\sqrt{2})^{69}} \\
& + \frac{1069050492686071688567143915726187696009069054515211968119\pi^{17}x^9}{17440847590400000000(2+\sqrt{2})^{69}} \\
f_{18} = & - \frac{49770610936563027612784760345428640227961025587680282063968779\pi^{18}x^{18}}{78484934063250\sqrt{2}(2+\sqrt{2})^{73}} \\
& - \frac{35193136497041061917023768997256351661726796897537502489599939\pi^{18}x^{18}}{78484934063250(2+\sqrt{2})^{73}} \\
& + \frac{322894999039197155177962768567353232219739883052285922718137\sqrt{2}\pi^{18}x^{17}}{322252536375(2+\sqrt{2})^{73}} \\
& + \frac{456642486863680111868843967165029373327867706741468256167234\pi^{18}x^{17}}{322252536375(2+\sqrt{2})^{73}} \\
& - \frac{107656480070096413775015352149950056799703873561350091098249\sqrt{2}\pi^{18}x^{16}}{86199238125(2+\sqrt{2})^{73}} \\
& - \frac{152249254192479158693760978790984823492475528100513200616418\pi^{18}x^{16}}{86199238125(2+\sqrt{2})^{73}}
\end{aligned}$$

$$\begin{aligned}
& + \frac{141575676570795963877647036403753561719305506471778763487\pi^{18}x^{15}}{90016920\sqrt{2}(2+\sqrt{2})^{73}} \\
& + \frac{100109120954283244604971883300799620578940118717777942967\pi^{18}x^{15}}{90016920(2+\sqrt{2})^{73}} \\
& - \frac{90496212053271973718693006742618096517738071367709801070300089\pi^{18}x^{14}}{169816046400000\sqrt{2}(2+\sqrt{2})^{73}} \\
& - \frac{63990485214564390179933350714198185875408410658039980232383649\pi^{18}x^{14}}{169816046400000(2+\sqrt{2})^{73}} \\
& + \frac{2699276438578752420888376821233574207842670016973608325856731\pi^{18}x^{13}}{28151484900000\sqrt{2}(2+\sqrt{2})^{73}} \\
& + \frac{1908676674016109176620731379669966425868501777025748600445971\pi^{18}x^{13}}{28151484900000(2+\sqrt{2})^{73}} \\
& - \frac{125090411386773438207031492248274834153936305952431179296089775393\pi^{18}x^{12}}{14781949612430000000\sqrt{2}(2+\sqrt{2})^{73}} \\
& - \frac{88452278153002418437362227453557138585131682718071591693945751113\pi^{18}x^{12}}{14781949612430000000(2+\sqrt{2})^{73}} \\
& + \frac{1976037616687399467783786655492794514262680606887284948528117691\pi^{18}x^{11}}{6471418481528000000\sqrt{2}(2+\sqrt{2})^{73}} \\
& + \frac{1397269598639363846441685576626495904404466729771897603824345331\pi^{18}x^{11}}{6471418481528000000(2+\sqrt{2})^{73}} \\
& - \frac{10822179975953463033952179119329778593004437009036114241507367\pi^{18}x^{10}}{3778524904960000000\sqrt{2}(2+\sqrt{2})^{73}} \\
& - \frac{7652436848217961534874926982258937972439002374883485464042047\pi^{18}x^{10}}{3778524904960000000(2+\sqrt{2})^{73}} \\
f_{19} = & \frac{69048073179642505220174377333107313932005184561941602755112879938583\pi^{19}x^{19}}{31315488691236750\sqrt{2}(2+\sqrt{2})^{77}} \\
& + \frac{3755720059476168747178757508995093688628197160587843918138636143719\pi^{19}x^{19}}{2408883745479750(2+\sqrt{2})^{77}} \\
& - \frac{828794719582690831763011991758216387548184726876542891121478561513\pi^{19}x^{18}}{111714212610000\sqrt{2}(2+\sqrt{2})^{77}} \\
& - \frac{45080489725271060041599918689725561904564082403930795922271981209\pi^{19}x^{18}}{8593400970000(2+\sqrt{2})^{77}} \\
& + \frac{372025741746956054363678612456728980329906206514863559764017021377\pi^{19}x^{17}}{37238070870000\sqrt{2}(2+\sqrt{2})^{77}} \\
& + \frac{20235532674248299483526484199101513724684118307192742684808792561\pi^{19}x^{17}}{2864466990000(2+\sqrt{2})^{77}} \\
& - \frac{2007370028096162468543048239579658754968764569230454330951861105659\pi^{19}x^{16}}{289629440100000\sqrt{2}(2+\sqrt{2})^{77}}
\end{aligned}$$

$$\begin{aligned}
& - \frac{109186535324417454683252392418917074622855000875722357363155627787\pi^{19}x^{16}}{22279187700000(2+\sqrt{2})^{77}} \\
& + \frac{59753158992205497061807449813474101662235980304219747317856731058741\pi^{19}x^{15}}{22466662938720000\sqrt{2}(2+\sqrt{2})^{77}} \\
& + \frac{3250143378515879769461970119651877995223705578052372284211833061413\pi^{19}x^{15}}{1728204841440000(2+\sqrt{2})^{77}} \\
& - \frac{237965481394132244749977298730472729919566555745138021491498707049209\pi^{19}x^{14}}{421596637862400000\sqrt{2}(2+\sqrt{2})^{77}} \\
& - \frac{297703163722198357874538201743957935165681197465537993042753461717551\pi^{19}x^{14}}{745901743910400000(2+\sqrt{2})^{77}} \\
& + \frac{1852700263490844897144288111682541079314363034698405392320349826959536739\pi^{19}x^{13}}{29541276415018368000000\sqrt{2}(2+\sqrt{2})^{77}} \\
& + \frac{178291770153083050493624881741486742217806246536072872477800043874743017\pi^{19}x^{13}}{4020410399677056000000(2+\sqrt{2})^{77}} \\
& - \frac{18090436797581644729352080736793666406122108386528071287466939760009211\pi^{19}x^{12}}{5632947739138720000000\sqrt{2}(2+\sqrt{2})^{77}} \\
& - \frac{1740905457316701340538821861687710069061578104697362914260803967334833\pi^{19}x^{12}}{766614189350240000000(2+\sqrt{2})^{77}} \\
& + \frac{127782477660616523422953231929847119284382256361713539044541925860289\pi^{19}x^{11}}{2231793949299200000000\sqrt{2}(2+\sqrt{2})^{77}} \\
& + \frac{12296950880619708284706655340198771835761086566286031379535156673667\pi^{19}x^{11}}{303735271206400000000(2+\sqrt{2})^{77}} \\
& - \frac{10605403749657433972785108289171624242684138929930859225170365097463\pi^{19}x^{10}}{7150747512064000000000\sqrt{2}(2+\sqrt{2})^{77}} \\
& - \frac{44373685849727868662639917063934425703907322722817818936377723043\pi^{19}x^{10}}{423121154560000000000(2+\sqrt{2})^{77}} \\
f_{20} = & - \frac{54696761569416014142944003754346487465861055993463193833166782815883\pi^{20}x^{20}}{6421494605175\sqrt{2}(2+\sqrt{2})^{81}} \\
& - \frac{54147031420548935783579571791915281000285578563547798287350460979641\pi^{20}x^{20}}{8990092447245(2+\sqrt{2})^{81}} \\
& + \frac{181951341515649122843574170001038081977985844178073731120832181213427\pi^{20}x^{19}}{5984689961250\sqrt{2}(2+\sqrt{2})^{81}} \\
& + \frac{180122638404386838580770305798336640365115993183360881320022287367729\pi^{20}x^{19}}{8378565945750(2+\sqrt{2})^{81}} \\
& - \frac{40956784242247735859358095848843200315336387740662166679563945374907\pi^{20}x^{18}}{930951771750\sqrt{2}(2+\sqrt{2})^{81}} \\
& - \frac{40545147822602790382203718956417557391219765503606036957832881375689\pi^{20}x^{18}}{1303332480450(2+\sqrt{2})^{81}}
\end{aligned}$$

$$\begin{aligned}
& + \frac{598149395516825425947749551775501434933502931450306792063151244744027\pi^{20}x^{17}}{17929441530000\sqrt{2}(2+\sqrt{2})^{81}} \\
& + \frac{592137691225614166130949298666432073838963502491889163266529803253929\pi^{20}x^{17}}{25101218142000(2+\sqrt{2})^{81}} \\
& - \frac{20823204865372161733602087499040964313908555637347765213154315533253\pi^{20}x^{16}}{1453773258000\sqrt{2}(2+\sqrt{2})^{81}} \\
& - \frac{20613921112877910955459764410495669764934664683052203633756389960631\pi^{20}x^{16}}{2035282561200(2+\sqrt{2})^{81}} \\
& + \frac{12088643694243086493710093733142596842724856953718078504472024338219257619\pi^{20}x^{15}}{3437651156940000000\sqrt{2}(2+\sqrt{2})^{81}} \\
& + \frac{11967146704166197147235585291382617976544011077035233549199522351272180113\pi^{20}x^{15}}{4812711619716000000(2+\sqrt{2})^{81}} \\
& - \frac{12962438917819510022754363022293458281588373204590163852836687154653533227\pi^{20}x^{14}}{27250642682303040000\sqrt{2}(2+\sqrt{2})^{81}} \\
& - \frac{12832159843309223426104849632723319717764297665628166305277093464414482329\pi^{20}x^{14}}{38150899755224256000(2+\sqrt{2})^{81}} \\
& + \frac{89613080651752527717175211287367876043088600803135340305098037717515794189\pi^{20}x^{13}}{2771289796795520000000\sqrt{2}(2+\sqrt{2})^{81}} \\
& + \frac{88712423816619694325111752732043346019775879080512894666558642654026199503\pi^{20}x^{13}}{3879805715513728000000(2+\sqrt{2})^{81}} \\
& - \frac{23439682098957325158704124476750443006291657239940111683013155228474987\pi^{20}x^{12}}{25645760251456716800\sqrt{2}(2+\sqrt{2})^{81}} \\
& - \frac{23204101425441513244702809598732264414678750205802630634263670628085849\pi^{20}x^{12}}{35904064352039403520(2+\sqrt{2})^{81}} \\
& + \frac{21387350825331492685198217721399657450895325985533750624913791685162537\pi^{20}x^{11}}{3145405566318080000000\sqrt{2}(2+\sqrt{2})^{81}} \\
& + \frac{3024628160041520480102700703651304874106996771008970903356386678289957\pi^{20}x^{11}}{629081113263616000000(2+\sqrt{2})^{81}} \\
f_{21} = & \frac{5394474770312968139855548714280379640471964612764266209331475385542527370411\pi^{21}x^{21}}{148336525379542500\sqrt{2}(2+\sqrt{2})^{85}} \\
& + \frac{381446969102804317773512566121230060802781396563727812405230795624436927991\pi^{21}x^{21}}{148336525379542500(2+\sqrt{2})^{85}} \\
& - \frac{107719087831118027368268630198686460309110323000803579517613073034579376289\pi^{21}x^{20}}{784849340632500\sqrt{2}(2+\sqrt{2})^{85}} \\
& - \frac{76168897468612869129058519848568034806759617665025953615175563352031144709\pi^{21}x^{20}}{784849340632500(2+\sqrt{2})^{85}} \\
& + \frac{187408495720769725989736949919398755518250450444958266838715663983831047993\pi^{21}x^{19}}{882255832920000\sqrt{2}(2+\sqrt{2})^{85}} \\
& + \frac{132517818176126346715250760372029412582101819134541823530549039050489313533\pi^{21}x^{19}}{882255832920000(2+\sqrt{2})^{85}} \\
& - \frac{1679690458228215470135452944218163751426086422628449759379192619603795609\pi^{21}x^{18}}{9605057962500\sqrt{2}(2+\sqrt{2})^{85}} \\
& - \frac{1187720513307510501204075238517433634730302623818299821578336638369073629\pi^{21}x^{18}}{9605057962500(2+\sqrt{2})^{85}} \\
& + \frac{887474747935759337394803268867631368854849691755988229163392386755990624391547\pi^{21}x^{17}}{10671664895892000000\sqrt{2}(2+\sqrt{2})^{85}}
\end{aligned}$$

$$\begin{aligned}
& + \frac{627539412397197397051611530248620635894118298070028193176397797198339892147207\pi^{21} x^{17}}{10671664895892000000(2+\sqrt{2})^{85}} \\
& - \frac{26630204121303656156750665100950359557763834210256099744668410273495166309\pi^{21} x^{16}}{11452100660000000\sqrt{2}(2+\sqrt{2})^{85}} \\
& - \frac{188303979185557604816491541110571272261252009034909518190259440783836490329\pi^{21} x^{16}}{11452100660000000(2+\sqrt{2})^{85}} \\
& + \frac{209021057924871639409811036179781319592138644862086136561950299365120283112161411\pi^{21} x^{15}}{55998573424073280000000\sqrt{2}(2+\sqrt{2})^{85}} \\
& + \frac{147800207469462885684794516591456649632784610064682306196779029110004543255698991\pi^{21} x^{15}}{55998573424073280000000(2+\sqrt{2})^{85}} \\
& - \frac{8182744635101565079938294830043417182642127041034464323176800821996420760736806693\pi^{21} x^{14}}{254510405180556164640000000\sqrt{2}(2+\sqrt{2})^{85}} \\
& - \frac{19951980069648820849033320150387780555026390042925877563266184364594809965164077\pi^{21} x^{14}}{877622086829504016000000(2+\sqrt{2})^{85}} \\
& + \frac{58788908151707672028488795819007491623933776713176407890678249897944176339595821\pi^{21} x^{13}}{4527842434928046080000000\sqrt{2}(2+\sqrt{2})^{85}} \\
& + \frac{1433449503883641272379246126957762409790949023900975909854802861119662656842869\pi^{21} x^{13}}{156132497756139520000000(2+\sqrt{2})^{85}} \\
& - \frac{76346712421673475483989997139723501212215273200548199054321568087694254787568743\pi^{21} x^{12}}{413001991712896102400000000\sqrt{2}(2+\sqrt{2})^{85}} \\
& - \frac{1861561312919466761412860825556902982140426435304320613912114186413434758526527\pi^{21} x^{12}}{1424144799009986560000000(2+\sqrt{2})^{85}} \\
& + \frac{10778090125930279188363162672491758588297494409499586402507642747818849979\pi^{21} x^{11}}{27905356144640000000000\sqrt{2}(2+\sqrt{2})^{85}} \\
& + \frac{10774885698885789155211245838895829674064153783587001783560417035744806571\pi^{21} x^{11}}{39452400066560000000000(2+\sqrt{2})^{85}} \\
f_{22} = & - \frac{9500081842274391477829665956709558602312713850542716637121688776431817113011826\sqrt{2}\pi^{22} x^{22}}{111252394034656875(2+\sqrt{2})^{89}} \\
& - \frac{13435144584998822851807336931520687896684230852275556053739693772484106257770948\pi^{22} x^{22}}{111252394034656875(2+\sqrt{2})^{89}} \\
& + \frac{653311052978561930200786495841444294259438677788513429659753780546167180968594\sqrt{2}\pi^{22} x^{21}}{1922880884549625(2+\sqrt{2})^{89}} \\
& + \frac{923921351570529896140568856379139995608511518361335175021152398847240736350212\pi^{22} x^{21}}{1922880884549625(2+\sqrt{2})^{89}} \\
& - \frac{2457175181125770181736787412563349324852617842496061552077497396999829832084326587\pi^{22} x^{20}}{2193508564597350000\sqrt{2}(2+\sqrt{2})^{89}} \\
& - \frac{1737485233137315256411893514633242858555603552518231448677489630475622159018849763\pi^{22} x^{20}}{2193508564597350000(2+\sqrt{2})^{89}} \\
& + \frac{16864476926128434560381101202249376614967216175692294947288569488890927832009401\pi^{22} x^{19}}{16943322245850000\sqrt{2}(2+\sqrt{2})^{89}} \\
& + \frac{11924985995629478575444651473278807268299751529973401859001672232544661105841649\pi^{22} x^{19}}{16943322245850000(2+\sqrt{2})^{89}} \\
& - \frac{129809005101706752437901386281314730842971856645151180900883270642871709857167656153\pi^{22} x^{18}}{249716958563872800000\sqrt{2}(2+\sqrt{2})^{89}} \\
& - \frac{91788827766495987868988322335648224908698922273755719636089685280449383924496244497\pi^{22} x^{18}}{249716958563872800000(2+\sqrt{2})^{89}} \\
& + \frac{4254992174395899203928854925494748078581646486921072411789637159237236525514114517\pi^{22} x^{17}}{26032394670282000000\sqrt{2}(2+\sqrt{2})^{89}} \\
& + \frac{3008733820411033162169115975535933898223127691034361986031999708494976320987788333\pi^{22} x^{17}}{26032394670282000000(2+\sqrt{2})^{89}} \\
& - \frac{543289375947358876552271082625065701886045143493306101424201840716485137464937326227\pi^{22} x^{16}}{17803894267979820000000\sqrt{2}(2+\sqrt{2})^{89}} \\
& - \frac{384163601878985048766912219574603648993022930655069484830021294128803210520062672123\pi^{22} x^{16}}{17803894267979820000000(2+\sqrt{2})^{89}} \\
& + \frac{637056173035641586381312546336919798078287992702916919959615145597648039355003951643773\pi^{22} x^{15}}{197952537362654794720000000\sqrt{2}(2+\sqrt{2})^{89}} \\
& + \frac{450466739950252772399898230191506757930542208475567557965122200772018248682085066857877\pi^{22} x^{15}}{197952537362654794720000000(2+\sqrt{2})^{89}} \\
& - \frac{1143177503129826355663708473516928460302567506671579221078463559460695213615657083749\pi^{22} x^{14}}{6586215818069888000000000\sqrt{2}(2+\sqrt{2})^{89}} \\
& - \frac{808348564563005872601933631444676536606241503329764344689286944728126668732489872701\pi^{22} x^{14}}{6586215818069888000000000(2+\sqrt{2})^{89}} \\
& + \frac{599588808783017623197473410727272761411132326637264053104888968969620913181505233677\pi^{22} x^{13}}{152092472600357825536000000\sqrt{2}(2+\sqrt{2})^{89}}
\end{aligned}$$

$$\begin{aligned}
& + \frac{423973312614035926942359535230141345229600797191888603066186014234237149855848587173\pi^{22}x^{13}}{152092472600357825536000000(2+\sqrt{2})^{89}} \\
& - \frac{2182423465460737707952543831378880047512293180878304928067729554404881196898357981\pi^{22}x^{12}}{9169329561469542400000000\sqrt{2}(2+\sqrt{2})^{89}} \\
& - \frac{1543206431847932617231653649854972269286568701309357488689151788803342720013902069\pi^{22}x^{12}}{9169329561469542400000000(2+\sqrt{2})^{89}}
\end{aligned}$$

For $\rho = 2$ we obtain

$$\begin{aligned}
f_0 &= \frac{1}{48} \left(\ln 8 + 8 \ln \left(\sqrt[4]{2} - 1 \right) - 2 \ln \left(3 + 2\sqrt{2} \right) + 2 \ln \left(3 + 4\sqrt[4]{2} + 6\sqrt{2} + 4 \cdot 2^{3/4} \right) \right) \\
f_1 &= -\frac{1}{320} \left(23 + 20\sqrt{2} \right) \pi x \\
f_2 &= -\frac{(289 + 217\sqrt{2}) \pi^2 x^2}{2688} \\
f_3 &= -\frac{1361\pi^3 x^3}{2304\sqrt{2}} - \frac{1919\pi^3 x^3}{4608} - \frac{117\pi^3 x^2}{1280\sqrt{2}} - \frac{6531\pi^3 x^2}{102400} \\
f_4 &= -\frac{27648\sqrt{2} (2 + \sqrt{2})^3}{4758595\pi^4 x^4} - \frac{18432 (2 + \sqrt{2})^3}{2243207\pi^4 x^4} - \frac{197120\sqrt{2} (2 + \sqrt{2})^3}{11395077\pi^4 x^3} - \frac{1007187\pi^4 x^3}{24640 (2 + \sqrt{2})^3} \\
f_5 &= -\frac{11800074899\pi^5 x^5}{1658880\sqrt{2} (2 + \sqrt{2})^4} - \frac{8343907621\pi^5 x^5}{1658880 (2 + \sqrt{2})^4} - \frac{376758027\pi^5 x^4}{100352\sqrt{2} (2 + \sqrt{2})^4} \\
& - \frac{2664080677\pi^5 x^4}{598047597\pi^5 x^3} - \frac{1003520 (2 + \sqrt{2})^4}{13532268897\pi^5 x^3} \\
f_6 &= -\frac{1003520 (2 + \sqrt{2})^4}{64751750885\pi^6 x^6} - \frac{3328000\sqrt{2} (2 + \sqrt{2})^4}{12362328366991\pi^6 x^6} - \frac{106496000 (2 + \sqrt{2})^4}{410444319941\pi^6 x^5} \\
& - \frac{147456\sqrt{2} (2 + \sqrt{2})^5}{580455908959\pi^6 x^5} - \frac{39813120 (2 + \sqrt{2})^5}{93450075657\pi^6 x^4} - \frac{1290240\sqrt{2} (2 + \sqrt{2})^5}{165197953029\pi^6 x^4} \\
& - \frac{2580480 (2 + \sqrt{2})^5}{2523136\sqrt{2} (2 + \sqrt{2})^5} - \frac{6307840 (2 + \sqrt{2})^5}{6307840 (2 + \sqrt{2})^5} \\
f_7 &= -\frac{63319815462644513\pi^7 x^7}{1672151040\sqrt{2} (2 + \sqrt{2})^6} - \frac{22386935436477523\pi^7 x^7}{836075520 (2 + \sqrt{2})^6} - \frac{722037054313991\pi^7 x^6}{20643840\sqrt{2} (2 + \sqrt{2})^6} \\
& - \frac{56728588554829\pi^7 x^6}{12096360432518321\pi^7 x^5} - \frac{17106836961287309\pi^7 x^5}{17106836961287309\pi^7 x^5} \\
& - \frac{2293760 (2 + \sqrt{2})^6}{2251772979987069\pi^7 x^4} - \frac{1766195200\sqrt{2} (2 + \sqrt{2})^6}{31844878855544601\pi^7 x^4} - \frac{3532390400 (2 + \sqrt{2})^6}{3532390400 (2 + \sqrt{2})^6} \\
& - \frac{14483456000\sqrt{2} (2 + \sqrt{2})^6}{289669120000 (2 + \sqrt{2})^6} \\
f_8 &= -\frac{49855145811207440167\pi^8 x^8}{11466178560\sqrt{2} (2 + \sqrt{2})^7} - \frac{23501941119178891499\pi^8 x^8}{7644119040 (2 + \sqrt{2})^7} \\
& - \frac{3027876021120653551\pi^8 x^7}{611723333449319227\pi^8 x^7} \\
& - \frac{619315200\sqrt{2} (2 + \sqrt{2})^7}{102119491559040942529\pi^8 x^6} - \frac{176947200 (2 + \sqrt{2})^7}{144418769940788487439\pi^8 x^6} \\
& - \frac{74180198400\sqrt{2} (2 + \sqrt{2})^7}{2871228469147506027\pi^8 x^5} - \frac{148360396800 (2 + \sqrt{2})^7}{507566280196072881\pi^8 x^5} \\
& - \frac{35612262400\sqrt{2} (2 + \sqrt{2})^7}{8903065600 (2 + \sqrt{2})^7}
\end{aligned}$$

$$\begin{aligned}
f_9 &= -\frac{88242440319385005821863\pi^9x^9}{137594142720\sqrt{2}(2+\sqrt{2})^8} - \frac{1559920698454658659067\pi^9x^9}{3439853568(2+\sqrt{2})^8} \\
&\quad -\frac{468236283388582675439\pi^9x^8}{104759910725274039947\pi^9x^8} - \frac{550502400\sqrt{2}(2+\sqrt{2})^8}{174182400(2+\sqrt{2})^8} \\
&\quad -\frac{160686984173701999483273\pi^9x^7}{7574857077167290417961\pi^9x^7} - \frac{174182400(2+\sqrt{2})^8}{33910947840(2+\sqrt{2})^8} \\
&\quad -\frac{508664217600\sqrt{2}(2+\sqrt{2})^8}{81922173365966386521141\pi^9x^6} - \frac{8911957587159104982087\pi^9x^6}{8911957587159104982087\pi^9x^6} \\
&\quad -\frac{2525659136000\sqrt{2}(2+\sqrt{2})^8}{614463338522129593959\pi^9x^5} - \frac{388562944000(2+\sqrt{2})^8}{3475929547670148581859\pi^9x^5} \\
&\quad -\frac{1448345600000\sqrt{2}(2+\sqrt{2})^8}{11586764800000(2+\sqrt{2})^8} \\
f_{10} &= -\frac{325188755665012711718096443\pi^{10}x^{10}}{2751882854400\sqrt{2}(2+\sqrt{2})^9} - \frac{1379659045778003998698385609\pi^{10}x^{10}}{16511297126400(2+\sqrt{2})^9} \\
&\quad -\frac{1074080058649567114679507\pi^{10}x^9}{7594892930083024842432503\pi^{10}x^9} - \frac{5945425920\sqrt{2}(2+\sqrt{2})^9}{1279107926927243334615236677\pi^{10}x^8} \\
&\quad -\frac{59454259200(2+\sqrt{2})^9}{602977259333105974472181919\pi^{10}x^8} - \frac{15259926528000\sqrt{2}(2+\sqrt{2})^9}{7877639801310039143715797\pi^{10}x^7} \\
&\quad -\frac{10173284352000(2+\sqrt{2})^9}{55703325232510871388055763\pi^{10}x^7} - \frac{617179250688\sqrt{2}(2+\sqrt{2})^9}{795922203939820015669733997\pi^{10}x^6} \\
&\quad -\frac{6171792506880(2+\sqrt{2})^9}{21646230296259814317601011\pi^{10}x^6} - \frac{1782322508595200\sqrt{2}(2+\sqrt{2})^9}{1159508995206302086306093689991\pi^{11}x^{11}} \\
&\quad -\frac{68550865715200(2+\sqrt{2})^9}{10248708416964675964118528400953\pi^{11}x^{11}} \\
f_{11} &= -\frac{43589824413696\sqrt{2}(2+\sqrt{2})^{10}}{131467785698151163158131258117\pi^{11}x^{10}} - \frac{544872805171200(2+\sqrt{2})^{10}}{1721514125458190439937542797\pi^{11}x^{10}} \\
&\quad -\frac{2853804441600\sqrt{2}(2+\sqrt{2})^{10}}{125641034941075479922616582333\pi^{11}x^9} - \frac{52848230400(2+\sqrt{2})^{10}}{3525461420719451562632071451\pi^{11}x^9} \\
&\quad -\frac{4883176488960\sqrt{2}(2+\sqrt{2})^{10}}{7621679412300701737845297483829\pi^{11}x^8} - \frac{193776844800(2+\sqrt{2})^{10}}{489940108769791907079771328341\pi^{11}x^8} \\
&\quad -\frac{1440084918272000\sqrt{2}(2+\sqrt{2})^{10}}{218809484235486219405689449413\pi^{11}x^7} - \frac{130916810752000(2+\sqrt{2})^{10}}{140656063718948107025027875011\pi^{11}x^7} \\
&\quad -\frac{655703932928000\sqrt{2}(2+\sqrt{2})^{10}}{13582520817454306929401620353\pi^{11}x^6} - \frac{596094484480000(2+\sqrt{2})^{10}}{38417170302517457482078153491\pi^{11}x^6} \\
&\quad -\frac{4820094156800000\sqrt{2}(2+\sqrt{2})^{10}}{17078563666887612670518911118494939\pi^{12}x^{12}} - \frac{19280376627200000(2+\sqrt{2})^{10}}{2377626786201600\sqrt{2}(2+\sqrt{2})^{11}} \\
f_{12} &= -\frac{894545791243142099759855287693043\pi^{12}x^{12}}{176120502681600(2+\sqrt{2})^{11}} \\
&\quad -\frac{428443806440538923906130659334253\pi^{12}x^{11}}{30821087969280\sqrt{2}(2+\sqrt{2})^{11}}
\end{aligned}$$

$$\begin{aligned}
& \frac{3029555208914816436572161060420499\pi^{12}x^{11}}{308210879692800(2+\sqrt{2})^{11}} \\
& \frac{952000625050800993537975336915659\pi^{12}x^{10}}{104639496192000\sqrt{2}(2+\sqrt{2})^{11}} \\
& \frac{1346332195334506287480287535624241\pi^{12}x^{10}}{209278992384000(2+\sqrt{2})^{11}} \\
& \frac{5882222370039641822978502302747423\pi^{12}x^9}{2468717002752000\sqrt{2}(2+\sqrt{2})^{11}} \\
& \frac{41593593263022354941735199470901853\pi^{12}x^9}{24687170027520000(2+\sqrt{2})^{11}} \\
& \frac{2662778573931209013756454904954759103\pi^{12}x^8}{11695135347703808000\sqrt{2}(2+\sqrt{2})^{11}} \\
& \frac{3765737572850004488534601297436080297\pi^{12}x^8}{23390270695407616000(2+\sqrt{2})^{11}} \\
& \frac{170723666813041993540788853010343\pi^{12}x^7}{32405863792640000\sqrt{2}(2+\sqrt{2})^{11}} \\
& \frac{820107761634067377709247732163\pi^{12}x^7}{220148531200000(2+\sqrt{2})^{11}} \\
f_{13} = & \frac{5950192029422352013198860708351540130529\pi^{13}x^{13}}{2596368450532147200\sqrt{2}(2+\sqrt{2})^{12}} \\
& \frac{1051855283341672548709136724324403824601\pi^{13}x^{13}}{649092112633036800(2+\sqrt{2})^{12}} \\
& \frac{3357407447874251841663574791192026051\pi^{13}x^{12}}{684913065984000\sqrt{2}(2+\sqrt{2})^{12}} \\
& \frac{5341602540595732982687117287329641027\pi^{13}x^{12}}{1541054398464000(2+\sqrt{2})^{12}} \\
& \frac{259046924186076100506264643234933761583\pi^{13}x^{11}}{70317741441024000\sqrt{2}(2+\sqrt{2})^{12}} \\
& \frac{45793459184372969493521179365183518887\pi^{13}x^{11}}{17579435360256000(2+\sqrt{2})^{12}} \\
& \frac{17470574816031193080986257201360457423\pi^{13}x^{10}}{14812302016512000\sqrt{2}(2+\sqrt{2})^{12}} \\
& \frac{9265171442731932421508651679927998317\pi^{13}x^{10}}{11109226512384000(2+\sqrt{2})^{12}} \\
& \frac{253669731914458236635718130695452589426579\pi^{13}x^9}{1637318948678533120000\sqrt{2}(2+\sqrt{2})^{12}} \\
& \frac{179371587618486990658476490254746078738069\pi^{13}x^9}{1637318948678533120000(2+\sqrt{2})^{12}}
\end{aligned}$$

$$\begin{aligned}
& \frac{258292326185136420714470741929378551351\pi^{13}x^8}{39211095189094400000\sqrt{2}(2+\sqrt{2})^{12}} \\
& \frac{15881761336865879789846272765540622043\pi^{13}x^8}{3409660451225600000(2+\sqrt{2})^{12}} \\
& \frac{108203576625096812907546791649496293\pi^{13}x^7}{2795654610944000000\sqrt{2}(2+\sqrt{2})^{12}} \\
& \frac{6120918622419532815844379292504406083\pi^{13}x^7}{22365236887552000000(2+\sqrt{2})^{12}} \\
f_{14} = & \frac{62001834190004560658030973298534148496970153\pi^{14}x^{14}}{72698316614900121600\sqrt{2}(2+\sqrt{2})^{13}} \\
& \frac{263051504410536935579950517278906920459586711\pi^{14}x^{14}}{436189899689400729600(2+\sqrt{2})^{13}} \\
& \frac{73903284543540041744089788379873625900147\pi^{14}x^{13}}{36985305563136000\sqrt{2}(2+\sqrt{2})^{13}} \\
& \frac{104515027305392256056977439903767905327727\pi^{14}x^{13}}{73970611126272000(2+\sqrt{2})^{13}} \\
& \frac{2148285560784296743803805596216080872986589\pi^{14}x^{12}}{1265719345938432000\sqrt{2}(2+\sqrt{2})^{13}} \\
& \frac{3038134575911442517185858369588317735904161\pi^{14}x^{12}}{2531438691876864000(2+\sqrt{2})^{13}} \\
& \frac{163781110037331388223732285360043830504293\pi^{14}x^{11}}{253925177425920000\sqrt{2}(2+\sqrt{2})^{13}} \\
& \frac{33088781010759185244051919392463078059359\pi^{14}x^{11}}{72550050693120000(2+\sqrt{2})^{13}} \\
& \frac{30101617974074179517203461221996220618299992657\pi^{14}x^{10}}{275069583377993564160000\sqrt{2}(2+\sqrt{2})^{13}} \\
& \frac{1290003526918467687455777608495874785926797501\pi^{14}x^{10}}{16670883841090519040000(2+\sqrt{2})^{13}} \\
& \frac{43263253284069698241930916066679757678755421\pi^{14}x^9}{6038508659120537600000\sqrt{2}(2+\sqrt{2})^{13}} \\
& \frac{380021612091389511733581624971120444753751\pi^{14}x^9}{75012529926963200000(2+\sqrt{2})^{13}} \\
& \frac{1225895286480001204719548038371933411015651\pi^{14}x^8}{10447650486747136000000\sqrt{2}(2+\sqrt{2})^{13}} \\
& \frac{433419435047317101712220892687231849669351\pi^{14}x^8}{5223825243373568000000(2+\sqrt{2})^{13}} \\
f_{15} = & \frac{684497410797803345372824410578129824970059965061\pi^{15}x^{15}}{1869385284383145984000\sqrt{2}(2+\sqrt{2})^{14}}
\end{aligned}$$

$$\begin{aligned}
& \frac{242006380439880331428095801355225651010837622369\pi^{15}x^{15}}{934692642191572992000(2+\sqrt{2})^{14}} \\
& \frac{4967032592491811742450495414881042819017512917\pi^{15}x^{14}}{5325884001091584000\sqrt{2}(2+\sqrt{2})^{14}} \\
& \frac{2601646243352264743540508561615965617454619\pi^{15}x^{14}}{3945099260067840(2+\sqrt{2})^{14}} \\
& \frac{44760552805183232225034837537979917500019445651\pi^{15}x^{13}}{50628773837537280000\sqrt{2}(2+\sqrt{2})^{14}} \\
& \frac{47475735627305408655249024059082613772533248677\pi^{15}x^{13}}{75943160756305920000(2+\sqrt{2})^{14}} \\
& \frac{950662781949650337074205005873096104664104067\pi^{15}x^{12}}{2437681703288832000\sqrt{2}(2+\sqrt{2})^{14}} \\
& \frac{22407336657942198081017039052686981526831293\pi^{15}x^{12}}{81256056776294400(2+\sqrt{2})^{14}} \\
& \frac{4289333560205700412714456858501420709411658290449\pi^{15}x^{11}}{52394206357713059840000\sqrt{2}(2+\sqrt{2})^{14}} \\
& \frac{13648575812366191831396655291554808438793464508799\pi^{15}x^{11}}{235773928609708769280000(2+\sqrt{2})^{14}} \\
& \frac{1202838003038265857555734089575274304334326460661\pi^{15}x^{10}}{161105179976925184000000\sqrt{2}(2+\sqrt{2})^{14}} \\
& \frac{2446923506329606330272429816649974240412803045237\pi^{15}x^{10}}{463487210087461683200000(2+\sqrt{2})^{14}} \\
& \frac{4373881723281321168700137467033732187628520739\pi^{15}x^9}{19190371292545024000000\sqrt{2}(2+\sqrt{2})^{14}} \\
& \frac{6185602853280249152996987939363149638983355039\pi^{15}x^9}{38380742585090048000000(2+\sqrt{2})^{14}} \\
& \frac{22990285036393198437365811839731615709053401\pi^{15}x^8}{23397478590054400000000\sqrt{2}(2+\sqrt{2})^{14}} \\
& \frac{845342495433552644111929094873534471183415369\pi^{15}x^8}{121666888668282880000000(2+\sqrt{2})^{14}} \\
& \frac{5455690637010788754064987628664047138083506079530223\pi^{16}x^{16}}{30370320927824648601600\sqrt{2}(2+\sqrt{2})^{15}} \\
& \frac{167169419971072301483464182830120160699566441228251147\pi^{16}x^{16}}{1316047240205734772736000(2+\sqrt{2})^{15}} \\
& \frac{479069461683314090002989984491051603824081059977969\pi^{16}x^{15}}{969310888198668288000\sqrt{2}(2+\sqrt{2})^{15}} \\
& \frac{677506530031320579373782178900520531299660186290239\pi^{16}x^{15}}{1938621776397336576000(2+\sqrt{2})^{15}}
\end{aligned}$$

$f_{16} =$

$$\begin{aligned}
& \frac{6287981806483498633938382269100372295294868077803\pi^{16}x^{14}}{12150905721008947200\sqrt{2}(2+\sqrt{2})^{15}} \\
& \frac{133388237260263572644123896162708157951004181054251\pi^{16}x^{14}}{364527171630268416000(2+\sqrt{2})^{15}} \\
& \frac{2399466497037240158151465518866358829182627578821251\pi^{16}x^{13}}{9214436838431784960000\sqrt{2}(2+\sqrt{2})^{15}} \\
& \frac{3393358062569926920517685761687813251004228857076301\pi^{16}x^{13}}{18428873676863569920000(2+\sqrt{2})^{15}} \\
& \frac{52988349267015416523769561142291665339362010148790997\pi^{16}x^{12}}{808367755233287208960000\sqrt{2}(2+\sqrt{2})^{15}} \\
& \frac{37468421090587826033309677631506329644085496973451143\pi^{16}x^{12}}{8083677552332872089600000(2+\sqrt{2})^{15}} \\
& \frac{253339024844854279885347016458686261307024910710657013\pi^{16}x^{11}}{32444104706122317824000000\sqrt{2}(2+\sqrt{2})^{15}} \\
& \frac{358275484813967404365327743555861084369379345786893623\pi^{16}x^{11}}{64888209412244635648000000(2+\sqrt{2})^{15}} \\
& \frac{287160853779710497950705395112309441210743514355333\pi^{16}x^{10}}{772929108367428812800000\sqrt{2}(2+\sqrt{2})^{15}} \\
& \frac{26396940309863749560375204932836821633024518883073371\pi^{16}x^{10}}{100480784087765745664000000(2+\sqrt{2})^{15}} \\
& \frac{43835100112890056094985149025387198500501653301813\pi^{16}x^9}{9695419651701342208000000\sqrt{2}(2+\sqrt{2})^{15}} \\
& \frac{7749024135953938395036259298769019383339354424641\pi^{16}x^9}{2423854912925335552000000(2+\sqrt{2})^{15}} \\
f_{17} = & \frac{40218976942591145606141790871518427556869017789747993826639\pi^{17}x^{17}}{402710455502954840457216000\sqrt{2}(2+\sqrt{2})^{16}} \\
& \frac{19532356681656316862112489072356871948540333070146354311\pi^{17}x^{17}}{276586851306974478336000(2+\sqrt{2})^{16}} \\
& \frac{16955564994831453671202355020501995651595706749013823\pi^{17}x^{16}}{57440645226587750400\sqrt{2}(2+\sqrt{2})^{16}} \\
& \frac{303481560600706290914193168536900202838164701302408913\pi^{17}x^{16}}{1453966332298002432000(2+\sqrt{2})^{16}} \\
& \frac{4934949014866528673597557474495772736628021164854389567\pi^{17}x^{15}}{14581086865210736640000\sqrt{2}(2+\sqrt{2})^{16}} \\
& \frac{654287983729124016899896132672559833678866013435023839\pi^{17}x^{15}}{2733953787227013120000(2+\sqrt{2})^{16}} \\
& \frac{294238329495936015926774329042758771190238770190705539\pi^{17}x^{14}}{1535739473071964160000\sqrt{2}(2+\sqrt{2})^{16}}
\end{aligned}$$

$$\begin{aligned}
& \frac{195054298192104469458046503138090052856226034391657443\pi^{17}x^{14}}{1439755756004966400000(2+\sqrt{2})^{16}} \\
& \frac{273922596469968898018948607297247799558009059502043154967\pi^{17}x^{13}}{4850206531399723253760000\sqrt{2}(2+\sqrt{2})^{16}} \\
& \frac{432349387241386725217002398304918293371795894725793741\pi^{17}x^{13}}{10826353864731525120000(2+\sqrt{2})^{16}} \\
& \frac{14887473390861407892082069951225741161482503811715246082579\pi^{17}x^{12}}{1771448116954278553190400000\sqrt{2}(2+\sqrt{2})^{16}} \\
& \frac{19738187605148224232524891406376409026525738254017070390437\pi^{17}x^{12}}{3321465219289272287232000000(2+\sqrt{2})^{16}} \\
& \frac{69856909567110835331455808805352262474435534057976908623\pi^{17}x^{11}}{124123321520181215232000000\sqrt{2}(2+\sqrt{2})^{16}} \\
& \frac{23600714031361433245811830614846221966523092914904149\pi^{17}x^{11}}{59304023659905024000000(2+\sqrt{2})^{16}} \\
& \frac{100588605034711637485857129030385201220626940903149689\pi^{17}x^{10}}{7793625796944540467200000\sqrt{2}(2+\sqrt{2})^{16}} \\
& \frac{3556344236506994724901100283361309825744451084005317303\pi^{17}x^{10}}{38968128984722702336000000(2+\sqrt{2})^{16}} \\
& \frac{124283941324606006869144593748241928876258573065207503\pi^{17}x^9}{292608867247220326400000000\sqrt{2}(2+\sqrt{2})^{16}} \\
& \frac{703056141625759129499106391504947061045036224882163857\pi^{17}x^9}{2340870937977762611200000000(2+\sqrt{2})^{16}} \\
f_{18} = & \frac{447156327385941679383908672473243854599343313232214015095923\pi^{18}x^{18}}{7159296986719197163683840\sqrt{2}(2+\sqrt{2})^{17}} \\
& \frac{38804801483258746951529913348150770307274374579128083788097627\pi^{18}x^{18}}{878640993824628742815744000(2+\sqrt{2})^{17}} \\
& \frac{4545746038787932197027920563724450910685752470179046602277311\pi^{18}x^{17}}{23030826703600358522880000\sqrt{2}(2+\sqrt{2})^{17}} \\
& \frac{6428655699157667095155003725584675040136194342984844591972239\pi^{18}x^{17}}{46061653407200717045760000(2+\sqrt{2})^{17}} \\
& \frac{167882266088976193435827370387703170784098359934630180117181\pi^{18}x^{16}}{682394865291862474752000\sqrt{2}(2+\sqrt{2})^{17}} \\
& \frac{91315914455753412965956515702335399546148094537240150730533\pi^{18}x^{16}}{524919127147586519040000(2+\sqrt{2})^{17}} \\
& \frac{19164573410847299951090428389151165590598520309611835689\pi^{18}x^{15}}{123718312795727462400\sqrt{2}(2+\sqrt{2})^{17}} \\
& \frac{27102799634715056953897620448271982483350203108834207961\pi^{18}x^{15}}{247436625591454924800(2+\sqrt{2})^{17}}
\end{aligned}$$

$$\begin{aligned}
& \frac{4312784937614628095760845314835054847191796662639368300246903\pi^{18}x^{14}}{82168204767242370416640000\sqrt{2}(2+\sqrt{2})^{17}} \\
& \frac{30495994751865048446908678361150498509324619314671918414007331\pi^{18}x^{14}}{821682047672423704166400000(2+\sqrt{2})^{17}} \\
& \frac{3414122382322166870138325021441839589317611761300352620084479\pi^{18}x^{13}}{361520023868220112896000000\sqrt{2}(2+\sqrt{2})^{17}} \\
& \frac{4828298176681549597824135330472705874960750384942422161039871\pi^{18}x^{13}}{723040047736440225792000000(2+\sqrt{2})^{17}} \\
& \frac{1206482583909535323811178673268240108419758502439350724308822017\pi^{18}x^{12}}{1447526175568353332035584000000\sqrt{2}(2+\sqrt{2})^{17}} \\
& \frac{775556378605363870260883984211782123084459621056034823615232431\pi^{18}x^{12}}{1315932886880321210941440000000(2+\sqrt{2})^{17}} \\
& \frac{13583419259384026163154718585012923219317334895989165632921961\pi^{18}x^{11}}{451661124474507026759680000000\sqrt{2}(2+\sqrt{2})^{17}} \\
& \frac{19209855740020792037569895961193094863289269178426180880704739\pi^{18}x^{11}}{903322248949014053519360000000(2+\sqrt{2})^{17}} \\
& \frac{114450303859401430341979598700988963616083694933573292753\pi^{18}x^{10}}{405716022348117704704000000\sqrt{2}(2+\sqrt{2})^{17}} \\
& \frac{536661710662093122332948327593723706512992789227609259\pi^{18}x^{10}}{2690424551380090880000000(2+\sqrt{2})^{17}} \\
f_{19} = & \frac{48097266147353730166179606685710547909074230377065187532777647237951\pi^{19}x^{19}}{1101815806256084443490942976000\sqrt{2}(2+\sqrt{2})^{18}} \\
& \frac{1308073194204922836014893507253542026182499008573632715766333638897\pi^{19}x^{19}}{42377531009849401672728576000(2+\sqrt{2})^{18}} \\
& \frac{72165004767461492193417577675924744811253055009186483279400579797\pi^{19}x^{18}}{491324303010140981821440000\sqrt{2}(2+\sqrt{2})^{18}} \\
& \frac{257719011290058344818632341521098105996432949683776934000475829\pi^{19}x^{18}}{2481435873788590817280000(2+\sqrt{2})^{18}} \\
& \frac{16196524655289816894090928764835372900434956696165047383762851639\pi^{19}x^{17}}{81887383835023496970240000\sqrt{2}(2+\sqrt{2})^{18}} \\
& \frac{5726336207705269312200804330053789116169904448904061308803098149\pi^{19}x^{17}}{40943691917511748485120000(2+\sqrt{2})^{18}} \\
& \frac{21848273194923059359259589948827813245191967789484822211356383727\pi^{19}x^{16}}{159225468568101244108800000\sqrt{2}(2+\sqrt{2})^{18}} \\
& \frac{2574843688891061887190698991615280489205500049681690139454929647\pi^{19}x^{16}}{26537578094683540684800000(2+\sqrt{2})^{18}} \\
& \frac{6178361696753692700513138605041933320527977055385021915853239135311\pi^{19}x^{15}}{117336196407622104954961920000\sqrt{2}(2+\sqrt{2})^{18}}
\end{aligned}$$

$$\begin{aligned}
& \frac{728126908732959979117574002817776454973860868813881300807659584527\pi^{19}x^{15}}{19556032734603684159160320000(2+\sqrt{2})^{18}} \\
& \frac{1861579140879659978156712721334163832423541285840335858730825448863\pi^{19}x^{14}}{166588426998475828022476800000\sqrt{2}(2+\sqrt{2})^{18}} \\
& \frac{219389205705239142622712443486398055906348153454609718899702905883\pi^{19}x^{14}}{27764737833079304670412800000(2+\sqrt{2})^{18}} \\
& \frac{315075071271273939242497782561289153840145341692065183152545635006053\pi^{19}x^{13}}{253757632169200027598585856000000\sqrt{2}(2+\sqrt{2})^{18}} \\
& \frac{197084982615819578936140092304234166537600499061500886828918221781063\pi^{19}x^{13}}{224477905380446178260287488000000(2+\sqrt{2})^{18}} \\
& \frac{17689950026829492886890047484897739069824908585565926957136928564299\pi^{19}x^{12}}{278223252676296328483962880000000\sqrt{2}(2+\sqrt{2})^{18}} \\
& \frac{39212174366214052462040471455480410578089004883416271920912186871\pi^{19}x^{12}}{872173205881806672363520000000(2+\sqrt{2})^{18}} \\
& \frac{62476693015255254550749279967858668895761591119451785480766573903\pi^{19}x^{11}}{5511652163599179018403840000000\sqrt{2}(2+\sqrt{2})^{18}} \\
& \frac{88355386594394398706926630570897572728118757763610133034799484047\pi^{19}x^{11}}{110233043271983580368076800000000(2+\sqrt{2})^{18}} \\
& \frac{22544828091864779902697693712455023436740374990608493405875511\pi^{19}x^{10}}{7678056676567061364736000000000\sqrt{2}(2+\sqrt{2})^{18}} \\
& \frac{24525539729911628727461608331238723580467411023710645400990913\pi^{19}x^{10}}{1181239488702624825344000000000(2+\sqrt{2})^{18}} \\
f_{20} = & \frac{235884669814440836819167355992949690543944993930903881164743770988328657\pi^{20}x^{20}}{6958836671091059643100692480000\sqrt{2}(2+\sqrt{2})^{19}} \\
& \frac{111197099735827219090761483692601086307605566898941928371527473978861929\pi^{20}x^{20}}{4639224447394039762067128320000(2+\sqrt{2})^{19}} \\
& \frac{6063441494197744668288200830986640996951448833855377600693297021417017\pi^{20}x^{19}}{50115078907034380145786880000\sqrt{2}(2+\sqrt{2})^{19}} \\
& \frac{1225000170821462117127179553258094958151635415501464449017801378949109\pi^{20}x^{19}}{14318593973438394327367680000(2+\sqrt{2})^{19}} \\
& \frac{1003578354138170159312463849622498469214218973717687438896799086972863\pi^{20}x^{18}}{5732116868451644787916800000\sqrt{2}(2+\sqrt{2})^{19}} \\
& \frac{109174932255866859705914308808775125471803551500020915332570393116041\pi^{20}x^{18}}{881864133607945351987200000(2+\sqrt{2})^{19}} \\
& \frac{73283245316611687248625226852523766591551485782656997970300034117671\pi^{20}x^{17}}{551981624369417646243840000\sqrt{2}(2+\sqrt{2})^{19}} \\
& \frac{103638159421466847982455625633614669374759384078825714861147548295789\pi^{20}x^{17}}{1103963248738835292487680000(2+\sqrt{2})^{19}}
\end{aligned}$$

$$\begin{aligned}
& \frac{4053559381923058197419612951106658541992177264504754784435662150328017\pi^{20}x^{16}}{71112846307649760578764800000\sqrt{2}(2+\sqrt{2})^{19}} \\
& \frac{51593387884202605308526949514062071909501227519671341442349676932539923\pi^{20}x^{16}}{1280031233537695690417766400000(2+\sqrt{2})^{19}} \\
& \frac{185132478614494946954222793378429675838870729454837262443023578720467429\pi^{20}x^{15}}{13229080967526021637079040000000\sqrt{2}(2+\sqrt{2})^{19}} \\
& \frac{37402408870337962129512150505783850688821836996856912198539144411113713\pi^{20}x^{15}}{3779737419293149039165440000000(2+\sqrt{2})^{19}} \\
& \frac{27295740061341529713334641285413252045245302225391543603488878112944241131\pi^{20}x^{14}}{14419404275026307450601996288000000\sqrt{2}(2+\sqrt{2})^{19}} \\
& \frac{12867335263253269568229416633263970896805660919052824705537990448018624307\pi^{20}x^{14}}{9612936183350871633734664192000000(2+\sqrt{2})^{19}} \\
& \frac{25140701466950298231938384655613105296281069735228315495127113084601421\pi^{20}x^{13}}{195366798117524694609428480000000\sqrt{2}(2+\sqrt{2})^{19}} \\
& \frac{147296472640270579375414203299889303934016021166183773169697838822124113\pi^{20}x^{13}}{1618753470116633183906693120000000(2+\sqrt{2})^{19}} \\
& \frac{8693784966565534969408079594445512978008152793434494559031645137909561\pi^{20}x^{12}}{2390205123875074369837082869760000\sqrt{2}(2+\sqrt{2})^{19}} \\
& \frac{945759123697869557068793638583874396182187495569348831457069770648427\pi^{20}x^{12}}{367723865211549903051858903040000(2+\sqrt{2})^{19}} \\
& \frac{6214453512008515843664050108866472716423526818786601284508739407119\pi^{20}x^{11}}{229660038679872716469698560000000\sqrt{2}(2+\sqrt{2})^{19}} \\
& \frac{549285277463722175121263407952004098118615673877960328448675036431\pi^{20}x^{11}}{28707504834984089558712320000000(2+\sqrt{2})^{19}} \\
f_{21} = & - \frac{2429260912895220759815800597223690641367660725394912823493644295306066159337\pi^{21}x^{21}}{83506040053092715717208309760000\sqrt{2}(2+\sqrt{2})^{20}} \\
& - \frac{85887343238981677559103177916925641378928813887704288123113054339057070347\pi^{21}x^{21}}{4175302002654635785860415488000(2+\sqrt{2})^{20}} \\
& - \frac{44016974749223519639976863405029892978268046100378797050389090248296056339\pi^{21}x^{20}}{400920631256275041166295040000\sqrt{2}(2+\sqrt{2})^{20}} \\
& - \frac{210091733994327634529075993433571161676610207854211324219380962965490512671\pi^{21}x^{20}}{2706214260979856527872491520000(2+\sqrt{2})^{20}} \\
& - \frac{411423307146388915205815771496316617694188602206754457076687119030941740163\pi^{21}x^{19}}{2421246165233974758416056320000\sqrt{2}(2+\sqrt{2})^{20}} \\
& - \frac{1616223391230040894634630074590547037754281860452756894671340739837414769\pi^{21}x^{19}}{13451367584633193102311424000(2+\sqrt{2})^{20}} \\
& - \frac{15758439944585121751378398568064656844668791158107018408640141198810423\pi^{21}x^{18}}{112649311095799519641600000\sqrt{2}(2+\sqrt{2})^{20}} \\
& - \frac{8357174809302826336643996400817259673267878987924334681599348972610043\pi^{21}x^{18}}{84486983321849639731200000(2+\sqrt{2})^{20}} \\
& - \frac{44817332045850639617407274032735829657482312373769783950255577238973518321\pi^{21}x^{17}}{673700649230366152851456000000\sqrt{2}(2+\sqrt{2})^{20}} \\
& - \frac{5809950557456861297177665800442694532621478903368562667360031862762957931\pi^{21}x^{17}}{123511785692233794689433600000(2+\sqrt{2})^{20}} \\
& - \frac{1765681883138086601664227424967480650514541030577272841604580466883597527\pi^{21}x^{16}}{9492218062591215271936000000\sqrt{2}(2+\sqrt{2})^{20}} \\
& - \frac{4057708307201816083637769012143736298609932107315542942985038024607055637\pi^{21}x^{16}}{308497087034214496337920000000(2+\sqrt{2})^{20}}
\end{aligned}$$

$$\begin{aligned}
& \frac{4837951162986812375616503287432300072621422439505995247844285745091036342057\pi^{21} x^{15}}{1620291647858859632555458560000000\sqrt{2}(2+\sqrt{2})^{20}} \\
& \frac{171047403719865952850026213550264894222032212696328393306137084817789954723\pi^{21} x^{15}}{81014582392942981627772928000000(2+\sqrt{2})^{20}} \\
& \frac{199917926845626104324737209180036218263915478740533159842334817779977740693649\pi^{21} x^{14}}{777325416350007254911994036224000000\sqrt{2}(2+\sqrt{2})^{20}} \\
& \frac{318067473944921294013830461119934614558101682777831307028078933650386892024507\pi^{21} x^{14}}{1748982186787516323551986581504000000(2+\sqrt{2})^{20}} \\
& \frac{136539139076680769179399845171661971498487991559200729209745787796747291341801\pi^{21} x^{13}}{13146128181312909034103955783680000000\sqrt{2}(2+\sqrt{2})^{20}} \\
& \frac{4065168468989224810005339947801272246149500402222414958747419864129504809\pi^{21} x^{13}}{5535211865815961698570086645760000(2+\sqrt{2})^{20}} \\
& \frac{18089960361647579114994183633888693399636714135148519554518400222125740017\pi^{21} x^{12}}{122333106730327709051990835200000000\sqrt{2}(2+\sqrt{2})^{20}} \\
& \frac{741908951300777465092425255134399553784166371225841740054654059843162947223\pi^{21} x^{12}}{7095320190359007125015468441600000000(2+\sqrt{2})^{20}} \\
& \frac{2564596413853006302985433830520711111997652579165678842181112440179\pi^{21} x^{11}}{830060181250493120512000000000\sqrt{2}(2+\sqrt{2})^{20}} \\
& \frac{4294234244093440104206540189837932895579939833595083261030305190908309\pi^{21} x^{11}}{1965582509201167709372416000000000(2+\sqrt{2})^{20}} \\
f_{22} = & \frac{9172741595694283854325424795401733430314041135232230531472531588474290440076027\pi^{22} x^{22}}{334024160212370862868833239040000\sqrt{2}(2+\sqrt{2})^{21}} \\
& \frac{38916646706324044517866461127048448900178469033686733372922454600957474268081501\pi^{22} x^{22}}{2004144961274225177212999434240000(2+\sqrt{2})^{21}} \\
& \frac{43009093892678920800928653904361624202916647935054750006712899651911607490581\pi^{22} x^{21}}{393631165233433676781453312000\sqrt{2}(2+\sqrt{2})^{21}} \\
& \frac{3345322413862241026115146242957059846050328515834255926735807372787597403692039\pi^{22} x^{21}}{43299428175677704445959864320000(2+\sqrt{2})^{21}} \\
& \frac{222422751515711872133032296595307859145811420894792291059234026194163843782964671\pi^{22} x^{20}}{1234835544269327126792188723200000\sqrt{2}(2+\sqrt{2})^{21}} \\
& \frac{268848950234068899882944851400289436010278909807964552597053247720723857649383\pi^{22} x^{20}}{21108299902039779945165619200000(2+\sqrt{2})^{21}} \\
& \frac{190820871018740154512885786058129999769055631929032564921291406037385996209881\pi^{22} x^{19}}{1192280308637942115886694400000\sqrt{2}(2+\sqrt{2})^{21}} \\
& \frac{122664301717522456750552813584953974298515489580041267516593841794938298972619\pi^{22} x^{19}}{1083891189670856468987904000000(2+\sqrt{2})^{21}} \\
& \frac{734391983628599996916213943206875692336544226815121274398629630533948556555312939\pi^{22} x^{18}}{8786134387002743219027548569600000\sqrt{2}(2+\sqrt{2})^{21}} \\
& \frac{1038587103345646099683549438621471958256410857860898326670226770446036201762107279\pi^{22} x^{18}}{17572268774005486438055097139200000(2+\sqrt{2})^{21}} \\
& \frac{6018132940415966983928209610919400332341149784044947596495609162630927890778539\pi^{22} x^{17}}{228983365110632229063622656000000\sqrt{2}(2+\sqrt{2})^{21}} \\
& \frac{4255462612250267016557278635412320900051898194462220250839745567405246428219211\pi^{22} x^{17}}{228983365110632229063622656000000(2+\sqrt{2})^{21}} \\
& \frac{3927440819685397786958713304619921458529791694620529606926778289983480046108375511\pi^{22} x^{16}}{80042407404227665848239652864000000\sqrt{2}(2+\sqrt{2})^{21}} \\
& \frac{49988160653551153631712602476354815126106459907000956150084664605476070961446723619\pi^{22} x^{16}}{14407633332760979852683137515520000000(2+\sqrt{2})^{21}} \\
& \frac{5119506183860379760750899431130131007228239511563363693838899018594440205471641821\pi^{22} x^{15}}{9893232571727365062516287733760000000\sqrt{2}(2+\sqrt{2})^{21}} \\
& \frac{398204129282755233989769507984373554825293004048890996628339707184409670577630867279\pi^{22} x^{15}}{1088255582890010156876791650713600000000(2+\sqrt{2})^{21}} \\
& \frac{1162129811086574009195786434211205063386974080964446922092012355078026816583494067\pi^{22} x^{14}}{4163932003130785666910755225600000000\sqrt{2}(2+\sqrt{2})^{21}} \\
& \frac{126423056928978138346356655095825344373082854255902690286025644798298584229678059\pi^{22} x^{14}}{6406049235585824102939623424000000000(2+\sqrt{2})^{21}} \\
& \frac{6625315432708005970354551102163755746620609882376287979630949010630560507495333\pi^{22} x^{13}}{10451715132581007017196698730496000000\sqrt{2}(2+\sqrt{2})^{21}} \\
& \frac{46848054699677164069725755256540330027647239322433664094005459598092850834428827\pi^{22} x^{13}}{104517151325810070171966987304960000000(2+\sqrt{2})^{21}} \\
& \frac{34967144646227367108568819602524798934211688981164775447996835271466884494763\pi^{22} x^{12}}{9136617177519787863475801292800000000\sqrt{2}(2+\sqrt{2})^{21}} \\
& \frac{12362752549037488716871813915404455994437153797375552195407985335155975584267\pi^{22} x^{12}}{45683085887598939317379006464000000000(2+\sqrt{2})^{21}}
\end{aligned}$$

For $\rho = \frac{1}{4}$ we obtain

$$\begin{aligned}
f_0 &= \frac{1}{24} \ln \left(1024 \left(140 + 99\sqrt{2} \right) \right) \\
f_1 &= \frac{1}{640} \left(1 + 20\sqrt{2} \right) \pi x \\
f_2 &= \frac{(217\sqrt{2} - 1) \pi^2 x^2}{10752} \\
f_3 &= \frac{(1277219 + 980474\sqrt[4]{2} + 818430\sqrt{2} + 754354 \cdot 2^{3/4}) \pi^3 x^3}{18432 (1 + \sqrt[4]{2})^6 (2 + \sqrt{2} + 2 \cdot 2^{3/4})^2} \\
&+ \frac{3 (1462679 + 1122646\sqrt[4]{2} + 937091\sqrt{2} + 863880 \cdot 2^{3/4}) \pi^3 x^2}{409600 (1 + \sqrt[4]{2})^6 (2 + \sqrt{2} + 2 \cdot 2^{3/4})^2} \\
f_4 &= \frac{(15367531053 + 12864575523\sqrt[4]{2} + 10646838721\sqrt{2} + 8993848559 \cdot 2^{3/4}) \pi^4 x^4}{884736 (1 + \sqrt[4]{2})^9 (2 + \sqrt{2} + 2 \cdot 2^{3/4})^3} \\
&+ \frac{3 (12265295960 + 10267621864\sqrt[4]{2} + 8497609561\sqrt{2} + 7178292983 \cdot 2^{3/4}) \pi^4 x^3}{6307840 (1 + \sqrt[4]{2})^9 (2 + \sqrt{2} + 2 \cdot 2^{3/4})^3} \\
f_5 &= \frac{(392616437349015 + 330942659661992\sqrt[4]{2}) \pi^5 x^5}{53084160 (1 + \sqrt[4]{2})^{12} (2 + \sqrt{2} + 2 \cdot 2^{3/4})^4} \\
&+ \frac{(185200253290327 + 155360450129468\sqrt[4]{2}) \pi^5 x^5}{17694720\sqrt{2} (1 + \sqrt[4]{2})^{12} (2 + \sqrt{2} + 2 \cdot 2^{3/4})^4} \\
&+ \frac{(125331889179981 + 105644256920372\sqrt[4]{2}) \pi^5 x^4}{32112640 (1 + \sqrt[4]{2})^{12} (2 + \sqrt{2} + 2 \cdot 2^{3/4})^4} \\
&+ \frac{(88680054636987 + 74391756761720\sqrt[4]{2}) \pi^5 x^4}{16056320\sqrt{2} (1 + \sqrt[4]{2})^{12} (2 + \sqrt{2} + 2 \cdot 2^{3/4})^4} \\
&+ \frac{3087 (206222550963 + 173828278708\sqrt[4]{2}) \pi^5 x^3}{3407872000 (1 + \sqrt[4]{2})^{12} (2 + \sqrt{2} + 2 \cdot 2^{3/4})^4} \\
&+ \frac{3087 (72957596217 + 61202535026\sqrt[4]{2}) \pi^5 x^3}{851968000\sqrt{2} (1 + \sqrt[4]{2})^{12} (2 + \sqrt{2} + 2 \cdot 2^{3/4})^4} \\
f_6 &= \frac{(2142614352007666561 + 1800911817536732869\sqrt[4]{2}) \pi^6 x^6}{318504960\sqrt{2} (1 + \sqrt[4]{2})^{15} (2 + \sqrt{2} + 2 \cdot 2^{3/4})^5} \\
&+ \frac{7 (1730208513466312897 + 1455576602395871353\sqrt[4]{2}) \pi^6 x^6}{2548039680 (1 + \sqrt[4]{2})^{15} (2 + \sqrt{2} + 2 \cdot 2^{3/4})^5} \\
&+ \frac{(189564698709771433 + 159475541510812897\sqrt[4]{2}) \pi^6 x^5}{55050240 (1 + \sqrt[4]{2})^{15} (2 + \sqrt{2} + 2 \cdot 2^{3/4})^5} \\
&+ \frac{(40242618796969327 + 33824756104936591\sqrt[4]{2}) \pi^6 x^5}{8257536\sqrt{2} (1 + \sqrt[4]{2})^{15} (2 + \sqrt{2} + 2 \cdot 2^{3/4})^5}
\end{aligned}$$

$$\begin{aligned}
& + \frac{1797 (180127314843911 + 151536131569439\sqrt[4]{2}) \pi^6 x^4}{807403520 (1 + \sqrt[4]{2})^{15} (2 + \sqrt{2} + 2^{2^{3/4}})^5} \\
& + \frac{5391 (84975911608199 + 71424016775471\sqrt[4]{2}) \pi^6 x^4}{807403520\sqrt{2} (1 + \sqrt[4]{2})^{15} (2 + \sqrt{2} + 2^{2^{3/4}})^5} \\
f_7 = & \frac{(1292561849113221231394693 + 1086934558972767155585822\sqrt[4]{2}) \pi^7 x^7}{214035333120\sqrt{2} (1 + \sqrt[4]{2})^{18} (2 + \sqrt{2} + 2^{2^{3/4}})^6} \\
& + \frac{(913913495518432712457987 + 768489658651046915984956\sqrt[4]{2}) \pi^7 x^7}{214035333120 (1 + \sqrt[4]{2})^{18} (2 + \sqrt{2} + 2^{2^{3/4}})^6} \\
& + \frac{(14739162794885360402557 + 12394382074053797824114\sqrt[4]{2}) \pi^7 x^6}{2642411520\sqrt{2} (1 + \sqrt[4]{2})^{18} (2 + \sqrt{2} + 2^{2^{3/4}})^6} \\
& + \frac{(5210706087166465392365 + 4381567579264042835469\sqrt[4]{2}) \pi^7 x^6}{1321205760 (1 + \sqrt[4]{2})^{18} (2 + \sqrt{2} + 2^{2^{3/4}})^6} \\
& + \frac{3589 (97292852543381084177 + 81811409292994248466\sqrt[4]{2}) \pi^7 x^5}{452145971200 (1 + \sqrt[4]{2})^{18} (2 + \sqrt{2} + 2^{2^{3/4}})^6} \\
& + \frac{3589 (34400692736689178622 + 28928056180649085883\sqrt[4]{2}) \pi^7 x^5}{113036492800\sqrt{2} (1 + \sqrt[4]{2})^{18} (2 + \sqrt{2} + 2^{2^{3/4}})^6} \\
& + \frac{150381 (4322431040184106823 + 3634636725322211418\sqrt[4]{2}) \pi^7 x^4}{37077647360000 (1 + \sqrt[4]{2})^{18} (2 + \sqrt{2} + 2^{2^{3/4}})^6} \\
& + \frac{150381 (3056640199293201829 + 2570374384228826620\sqrt[4]{2}) \pi^7 x^4}{18538823680000\sqrt{2} (1 + \sqrt[4]{2})^{18} (2 + \sqrt{2} + 2^{2^{3/4}})^6} \\
f_8 = & \frac{(29976449844424902118067169263 + 25206654461563285303502130349\sqrt[4]{2}) \pi^8 x^8}{5870683422720 (1 + \sqrt[4]{2})^{21} (2 + \sqrt{2} + 2^{2^{3/4}})^7} \\
& + \frac{(21196230994539826293452118845 + 17824142078156826979654605983\sqrt[4]{2}) \pi^8 x^8}{2935341711360\sqrt{2} (1 + \sqrt[4]{2})^{21} (2 + \sqrt{2} + 2^{2^{3/4}})^7} \\
& + \frac{(1820570977611797940865820547 + 1530885204673196818970230825\sqrt[4]{2}) \pi^8 x^7}{317089382400 (1 + \sqrt[4]{2})^{21} (2 + \sqrt{2} + 2^{2^{3/4}})^7} \\
& + \frac{(1287318651265386977824269437 + 1082520309667442239023215103\sqrt[4]{2}) \pi^8 x^7}{158544691200\sqrt{2} (1 + \sqrt[4]{2})^{21} (2 + \sqrt{2} + 2^{2^{3/4}})^7} \\
& + \frac{4183 (14678802970970755063721607 + 12343139908792188194179061\sqrt[4]{2}) \pi^8 x^6}{37980261580800 (1 + \sqrt[4]{2})^{21} (2 + \sqrt{2} + 2^{2^{3/4}})^7} \\
& + \frac{4183 (10379324440045369616347405 + 8728087250148910510222287\sqrt[4]{2}) \pi^8 x^6}{18990130790400\sqrt{2} (1 + \sqrt[4]{2})^{21} (2 + \sqrt{2} + 2^{2^{3/4}})^7} \\
& + \frac{12033 (101447804831855875491463 + 85308566759065066079877\sqrt[4]{2}) \pi^8 x^5}{9116739174400\sqrt{2} (1 + \sqrt[4]{2})^{21} (2 + \sqrt{2} + 2^{2^{3/4}})^7} \\
& + \frac{12033 (2759058215213405023779 + 2320042147460225963045\sqrt[4]{2}) \pi^8 x^5}{350643814400 (1 + \sqrt[4]{2})^{21} (2 + \sqrt{2} + 2^{2^{3/4}})^7}
\end{aligned}$$

$$\begin{aligned}
f_9 = & \frac{27378995280488094245708731180111\pi^9x^9}{2935341711360\sqrt[4]{2}(1+\sqrt[4]{2})^{24}(2+\sqrt{2}+2^{2^{3/4}})^8} \\
& + \frac{781421977509193354352245076424919\pi^9x^9}{70448201072640\sqrt{2}(1+\sqrt[4]{2})^{24}(2+\sqrt{2}+2^{2^{3/4}})^8} \\
& + \frac{19359899118821400666622155461929\pi^9x^9}{1467670855680^{2^{3/4}}(1+\sqrt[4]{2})^{24}(2+\sqrt{2}+2^{2^{3/4}})^8} \\
& + \frac{13813777758450649520948863444059\pi^9x^9}{17612050268160(1+\sqrt[4]{2})^{24}(2+\sqrt{2}+2^{2^{3/4}})^8} \\
& + \frac{3922553100483184931728056880733\pi^9x^8}{317089382400\sqrt[4]{2}(1+\sqrt[4]{2})^{24}(2+\sqrt{2}+2^{2^{3/4}})^8} \\
& + \frac{111953311992013730084232714614917\pi^9x^8}{7610145177600\sqrt{2}(1+\sqrt[4]{2})^{24}(2+\sqrt{2}+2^{2^{3/4}})^8} \\
& + \frac{8321002820110224726675821748329\pi^9x^8}{475634073600^{2^{3/4}}(1+\sqrt[4]{2})^{24}(2+\sqrt{2}+2^{2^{3/4}})^8} \\
& + \frac{59372460116507880704041476879569\pi^9x^8}{5707608883200(1+\sqrt[4]{2})^{24}(2+\sqrt{2}+2^{2^{3/4}})^8} \\
& + \frac{4532396349080602383199787830541\pi^9x^7}{986500300800\sqrt[4]{2}(1+\sqrt[4]{2})^{24}(2+\sqrt{2}+2^{2^{3/4}})^8} \\
& + \frac{1422946857559033329239330677061329\pi^9x^7}{260436079411200\sqrt{2}(1+\sqrt[4]{2})^{24}(2+\sqrt{2}+2^{2^{3/4}})^8} \\
& + \frac{66768593333579190597551990673\pi^9x^7}{10276044800^{2^{3/4}}(1+\sqrt[4]{2})^{24}(2+\sqrt{2}+2^{2^{3/4}})^8} \\
& + \frac{335393206110609103899995655005207\pi^9x^7}{86812026470400(1+\sqrt[4]{2})^{24}(2+\sqrt{2}+2^{2^{3/4}})^8} \\
& + \frac{433261388072224196278226459973\pi^9x^6}{918421504000\sqrt[4]{2}(1+\sqrt[4]{2})^{24}(2+\sqrt{2}+2^{2^{3/4}})^8} \\
& + \frac{725453390128852748107506546556209\pi^9x^6}{1293137477632000\sqrt{2}(1+\sqrt[4]{2})^{24}(2+\sqrt{2}+2^{2^{3/4}})^8} \\
& + \frac{9803599209368024647316985658251\pi^9x^6}{14694744064000^{2^{3/4}}(1+\sqrt[4]{2})^{24}(2+\sqrt{2}+2^{2^{3/4}})^8} \\
& + \frac{146564336100879216611213243090379\pi^9x^6}{369467850752000(1+\sqrt[4]{2})^{24}(2+\sqrt{2}+2^{2^{3/4}})^8} \\
& + \frac{2287795797180693617351696150373\pi^9x^5}{370776473600000\sqrt[4]{2}(1+\sqrt[4]{2})^{24}(2+\sqrt{2}+2^{2^{3/4}})^8} \\
& + \frac{2720659118507118411586184335653\pi^9x^5}{370776473600000\sqrt{2}(1+\sqrt[4]{2})^{24}(2+\sqrt{2}+2^{2^{3/4}})^8} \\
& + \frac{647087234343424969584898445499\pi^9x^5}{74155294720000^{2^{3/4}}(1+\sqrt[4]{2})^{24}(2+\sqrt{2}+2^{2^{3/4}})^8}
\end{aligned}$$

$$\begin{aligned}
& + \frac{6156174817471828555088969470569\pi^9 x^5}{1186484715520000 (1 + \sqrt[4]{2})^{24} (2 + \sqrt{2} + 2^{3/4})^8} \\
f_{10} = & \frac{75654772049614484222593783172891284367\pi^{10} x^{10}}{4226892064358400 \sqrt{2} (1 + \sqrt[4]{2})^{27} (2 + \sqrt{2} + 2^{3/4})^9} \\
& + \frac{5997948488684632303423318249656834281\pi^{10} x^{10}}{281792804290560 \sqrt{2} (1 + \sqrt[4]{2})^{27} (2 + \sqrt{2} + 2^{3/4})^9} \\
& + \frac{71328059930913218967804256558729939741\pi^{10} x^{10}}{2817928042905600 2^{3/4} (1 + \sqrt[4]{2})^{27} (2 + \sqrt{2} + 2^{3/4})^9} \\
& + \frac{254471412587587979038672284788001868643\pi^{10} x^{10}}{16907568257433600 (1 + \sqrt[4]{2})^{27} (2 + \sqrt{2} + 2^{3/4})^9} \\
& + \frac{416472410988453333480229646994177929\pi^{10} x^9}{15220290355200 \sqrt{2} (1 + \sqrt[4]{2})^{27} (2 + \sqrt{2} + 2^{3/4})^9} \\
& + \frac{495272142204498292909441498075990993\pi^{10} x^9}{15220290355200 \sqrt{2} (1 + \sqrt[4]{2})^{27} (2 + \sqrt{2} + 2^{3/4})^9} \\
& + \frac{235592560409077376604930725489962933\pi^{10} x^9}{6088116142080 2^{3/4} (1 + \sqrt[4]{2})^{27} (2 + \sqrt{2} + 2^{3/4})^9} \\
& + \frac{1400841214067609142816444303138282749\pi^{10} x^9}{60881161420800 (1 + \sqrt[4]{2})^{27} (2 + \sqrt{2} + 2^{3/4})^9} \\
& + \frac{33064770771899511592149086987477218297\pi^{10} x^8}{2604360794112000 \sqrt{2} (1 + \sqrt[4]{2})^{27} (2 + \sqrt{2} + 2^{3/4})^9} \\
& + \frac{23592525343274252827635542864703402247\pi^{10} x^8}{1562616476467200 \sqrt{2} (1 + \sqrt[4]{2})^{27} (2 + \sqrt{2} + 2^{3/4})^9} \\
& + \frac{280564107007811237961190992893251463299\pi^{10} x^8}{15626164764672000 2^{3/4} (1 + \sqrt[4]{2})^{27} (2 + \sqrt{2} + 2^{3/4})^9} \\
& + \frac{111216235238830993022468796195149329493\pi^{10} x^8}{10417443176448000 (1 + \sqrt[4]{2})^{27} (2 + \sqrt{2} + 2^{3/4})^9} \\
& + \frac{1527269507108060907596493824855806117\pi^{10} x^7}{789989440880640 \sqrt{2} (1 + \sqrt[4]{2})^{27} (2 + \sqrt{2} + 2^{3/4})^9} \\
& + \frac{1816240453272159439684124093601542339\pi^{10} x^7}{789989440880640 \sqrt{2} (1 + \sqrt[4]{2})^{27} (2 + \sqrt{2} + 2^{3/4})^9} \\
& + \frac{12083283750633376608347815606803851\pi^{10} x^7}{4419521347584 2^{3/4} (1 + \sqrt[4]{2})^{27} (2 + \sqrt{2} + 2^{3/4})^9} \\
& + \frac{10274207914362958748206736655715234829\pi^{10} x^7}{6319915527045120 (1 + \sqrt[4]{2})^{27} (2 + \sqrt{2} + 2^{3/4})^9} \\
& + \frac{123446898431211776953001668729174694547\pi^{10} x^6}{1825098248801484800 \sqrt{2} (1 + \sqrt[4]{2})^{27} (2 + \sqrt{2} + 2^{3/4})^9} \\
& + \frac{1727105713194881944504122947889055011\pi^{10} x^6}{21471744103546880 \sqrt{2} (1 + \sqrt[4]{2})^{27} (2 + \sqrt{2} + 2^{3/4})^9}
\end{aligned}$$

$$\begin{aligned}
& + \frac{87290208512679997510304633648106838407\pi^{10}x^6}{912549124400742400 \ 2^{3/4} (1 + \sqrt[4]{2})^{27} (2 + \sqrt{2} + 2 \ 2^{3/4})^9} \\
& + \frac{6106241038830853949106717270319987131\pi^{10}x^6}{107358720517734400 (1 + \sqrt[4]{2})^{27} (2 + \sqrt{2} + 2 \ 2^{3/4})^9} \\
f_{11} = & \frac{4256568896954237079214154410116496679958871\pi^{11}x^{11}}{101445409544601600 \sqrt[4]{2} (1 + \sqrt[4]{2})^{30} (2 + \sqrt{2} + 2 \ 2^{3/4})^{10}} \\
& + \frac{12373637208371274521557828026617429519865677\pi^{11}x^{11}}{247977667775692800 \sqrt{2} (1 + \sqrt[4]{2})^{30} (2 + \sqrt{2} + 2 \ 2^{3/4})^{10}} \\
& + \frac{4138542238339915178971544094187151996187031\pi^{11}x^{11}}{69743719061913600 \ 2^{3/4} (1 + \sqrt[4]{2})^{30} (2 + \sqrt{2} + 2 \ 2^{3/4})^{10}} \\
& + \frac{78745334595380308436148598762306814177759101\pi^{11}x^{11}}{2231799009981235200 (1 + \sqrt[4]{2})^{30} (2 + \sqrt{2} + 2 \ 2^{3/4})^{10}} \\
& + \frac{70784197346388822537459179619861737765269\pi^{11}x^{10}}{974098582732800 \sqrt[4]{2} (1 + \sqrt[4]{2})^{30} (2 + \sqrt{2} + 2 \ 2^{3/4})^{10}} \\
& + \frac{101012494847116501481911533606261227511467\pi^{11}x^{10}}{1168918299279360 \sqrt{2} (1 + \sqrt[4]{2})^{30} (2 + \sqrt{2} + 2 \ 2^{3/4})^{10}} \\
& + \frac{4692373945746306207466941070842759964117\pi^{11}x^{10}}{45660871065600 \ 2^{3/4} (1 + \sqrt[4]{2})^{30} (2 + \sqrt{2} + 2 \ 2^{3/4})^{10}} \\
& + \frac{357133053258536363122937857091204506318199\pi^{11}x^{10}}{5844591496396800 (1 + \sqrt[4]{2})^{30} (2 + \sqrt{2} + 2 \ 2^{3/4})^{10}} \\
& + \frac{338234947643805164340843159277610114045777\pi^{11}x^9}{8333954541158400 \sqrt[4]{2} (1 + \sqrt[4]{2})^{30} (2 + \sqrt{2} + 2 \ 2^{3/4})^{10}} \\
& + \frac{2413388664901462176686188826300783279209363\pi^{11}x^9}{50003727246950400 \sqrt{2} (1 + \sqrt[4]{2})^{30} (2 + \sqrt{2} + 2 \ 2^{3/4})^{10}} \\
& + \frac{179376178905912504638140391566096758358397\pi^{11}x^9}{3125232952934400 \ 2^{3/4} (1 + \sqrt[4]{2})^{30} (2 + \sqrt{2} + 2 \ 2^{3/4})^{10}} \\
& + \frac{1706523265067946511251424253031679850651711\pi^{11}x^9}{50003727246950400 (1 + \sqrt[4]{2})^{30} (2 + \sqrt{2} + 2 \ 2^{3/4})^{10}} \\
& + \frac{1758696345797991544065797394261460340999997\pi^{11}x^8}{210663850901504000 \sqrt[4]{2} (1 + \sqrt[4]{2})^{30} (2 + \sqrt{2} + 2 \ 2^{3/4})^{10}} \\
& + \frac{5856072332489231044576638591042627179247433\pi^{11}x^8}{589858782524211200 \sqrt{2} (1 + \sqrt[4]{2})^{30} (2 + \sqrt{2} + 2 \ 2^{3/4})^{10}} \\
& + \frac{8705103273876872515862117029965506321470333\pi^{11}x^8}{737323478155264000 \ 2^{3/4} (1 + \sqrt[4]{2})^{30} (2 + \sqrt{2} + 2 \ 2^{3/4})^{10}} \\
& + \frac{2588042443870520276546591940689977702421861\pi^{11}x^8}{368661739077632000 (1 + \sqrt[4]{2})^{30} (2 + \sqrt{2} + 2 \ 2^{3/4})^{10}} \\
& + \frac{1767153866292460161608769230170662522665553\pi^{11}x^7}{3357204136591360000 \sqrt[4]{2} (1 + \sqrt[4]{2})^{30} (2 + \sqrt{2} + 2 \ 2^{3/4})^{10}}
\end{aligned}$$

$$\begin{aligned}
& + \frac{2101512148954668871543006740407822033644077\pi^{11}x^7}{3357204136591360000\sqrt{2}(1+\sqrt[4]{2})^{30}(2+\sqrt{2}+2\cdot 2^{3/4})^{10}} \\
& + \frac{2499133104823677642258342969284448519280953\pi^{11}x^7}{3357204136591360000\cdot 2^{3/4}(1+\sqrt[4]{2})^{30}(2+\sqrt{2}+2\cdot 2^{3/4})^{10}} \\
& + \frac{5943973179571562831171339826401364479370771\pi^{11}x^7}{13428816546365440000(1+\sqrt[4]{2})^{30}(2+\sqrt{2}+2\cdot 2^{3/4})^{10}} \\
& + \frac{548477238384582395589729728084101138191\pi^{11}x^6}{123394410414080000\sqrt[4]{2}(1+\sqrt[4]{2})^{30}(2+\sqrt{2}+2\cdot 2^{3/4})^{10}} \\
& + \frac{104360495314066594205727174723994766530239\pi^{11}x^6}{19743105666252800000\sqrt{2}(1+\sqrt[4]{2})^{30}(2+\sqrt{2}+2\cdot 2^{3/4})^{10}} \\
& + \frac{62053119418060995436663503056086620070071\pi^{11}x^6}{9871552833126400000\cdot 2^{3/4}(1+\sqrt[4]{2})^{30}(2+\sqrt{2}+2\cdot 2^{3/4})^{10}} \\
& + \frac{147588008344889242400831272519298054609199\pi^{11}x^6}{39486211332505600000(1+\sqrt[4]{2})^{30}(2+\sqrt{2}+2\cdot 2^{3/4})^{10}} \\
f_{12} = & \frac{1149153720196451858001215337634201904210843088043\pi^{12}x^{12}}{9738759316281753600\sqrt[4]{2}(1+\sqrt[4]{2})^{33}(2+\sqrt{2}+2\cdot 2^{3/4})^{11}} \\
& + \frac{1366581779556768515754137531661480848206310274653\pi^{12}x^{12}}{9738759316281753600\sqrt{2}(1+\sqrt[4]{2})^{33}(2+\sqrt{2}+2\cdot 2^{3/4})^{11}} \\
& + \frac{36114416572857964294895566390151168724422097331\pi^{12}x^{12}}{216416873695150080\cdot 2^{3/4}(1+\sqrt[4]{2})^{33}(2+\sqrt{2}+2\cdot 2^{3/4})^{11}} \\
& + \frac{644212817484620374280161543389843903326307468203\pi^{12}x^{12}}{6492506210854502400(1+\sqrt[4]{2})^{33}(2+\sqrt{2}+2\cdot 2^{3/4})^{11}} \\
& + \frac{144142037608725384703898648024047254909957879953\pi^{12}x^{11}}{631215881610854400\sqrt[4]{2}(1+\sqrt[4]{2})^{33}(2+\sqrt{2}+2\cdot 2^{3/4})^{11}} \\
& + \frac{171414736603381353536682602793004920488631928327\pi^{12}x^{11}}{631215881610854400\sqrt{2}(1+\sqrt[4]{2})^{33}(2+\sqrt{2}+2\cdot 2^{3/4})^{11}} \\
& + \frac{203847620659268123452545226516934733840428342581\pi^{12}x^{11}}{631215881610854400\cdot 2^{3/4}(1+\sqrt[4]{2})^{33}(2+\sqrt{2}+2\cdot 2^{3/4})^{11}} \\
& + \frac{48483408198870034234315360444681318793515317847\pi^{12}x^{11}}{252486352644341760(1+\sqrt[4]{2})^{33}(2+\sqrt{2}+2\cdot 2^{3/4})^{11}} \\
& + \frac{64056619619997891931922137925087848576460880283\pi^{12}x^{10}}{428603376402432000\sqrt[4]{2}(1+\sqrt[4]{2})^{33}(2+\sqrt{2}+2\cdot 2^{3/4})^{11}} \\
& + \frac{10882369682040288117189295818686120990778369899\pi^{12}x^{10}}{61229053771776000\sqrt{2}(1+\sqrt[4]{2})^{33}(2+\sqrt{2}+2\cdot 2^{3/4})^{11}} \\
& + \frac{235298022135238633454511800235865147083460327\pi^{12}x^{10}}{1113255523123200\cdot 2^{3/4}(1+\sqrt[4]{2})^{33}(2+\sqrt{2}+2\cdot 2^{3/4})^{11}} \\
& + \frac{107729961654437852129354245808417522641605194129\pi^{12}x^{10}}{857206752804864000(1+\sqrt[4]{2})^{33}(2+\sqrt{2}+2\cdot 2^{3/4})^{11}}
\end{aligned}$$

$$\begin{aligned}
& + \frac{1978965516917387331935963823432462962233169213131\pi^{12}x^9}{50559324216360960000\sqrt[4]{2}(1+\sqrt[4]{2})^{33}(2+\sqrt{2}+2^{2^{3/4}})^{11}} \\
& + \frac{2353399871801410251952817305749966877565458364669\pi^{12}x^9}{50559324216360960000\sqrt{2}(1+\sqrt[4]{2})^{33}(2+\sqrt{2}+2^{2^{3/4}})^{11}} \\
& + \frac{2798679820840332486383890707868201679783319566747\pi^{12}x^9}{505593242163609600002^{3/4}(1+\sqrt[4]{2})^{33}(2+\sqrt{2}+2^{2^{3/4}})^{11}} \\
& + \frac{665641991468459371602095670872957244501940988441\pi^{12}x^9}{20223729686544384000(1+\sqrt[4]{2})^{33}(2+\sqrt{2}+2^{2^{3/4}})^{11}} \\
& + \frac{1480732018714341705441841987526579390381537516391\pi^{12}x^8}{395894829621444608000\sqrt[4]{2}(1+\sqrt[4]{2})^{33}(2+\sqrt{2}+2^{2^{3/4}})^{11}} \\
& + \frac{213068543185922403862154630171075831698213107234681\pi^{12}x^8}{47903274384194797568000\sqrt{2}(1+\sqrt[4]{2})^{33}(2+\sqrt{2}+2^{2^{3/4}})^{11}} \\
& + \frac{50676524581761101542620883372737311574203373746403\pi^{12}x^8}{95806548768389595136002^{3/4}(1+\sqrt[4]{2})^{33}(2+\sqrt{2}+2^{2^{3/4}})^{11}} \\
& + \frac{301324418142759242800352896978494986059454749617993\pi^{12}x^8}{95806548768389595136000(1+\sqrt[4]{2})^{33}(2+\sqrt{2}+2^{2^{3/4}})^{11}} \\
& + \frac{57436837215191152353928893092670764178464284587\pi^{12}x^7}{663672090473267200000\sqrt[4]{2}(1+\sqrt[4]{2})^{33}(2+\sqrt{2}+2^{2^{3/4}})^{11}} \\
& + \frac{68304295442936779307636664229131313408733003853\pi^{12}x^7}{663672090473267200000\sqrt{2}(1+\sqrt[4]{2})^{33}(2+\sqrt{2}+2^{2^{3/4}})^{11}} \\
& + \frac{5076747040084888378187580673316772589177726269\pi^{12}x^7}{414795056545792000002^{3/4}(1+\sqrt[4]{2})^{33}(2+\sqrt{2}+2^{2^{3/4}})^{11}} \\
& + \frac{1207460740874975527089806658767172047182530849\pi^{12}x^7}{16591802261831680000(1+\sqrt[4]{2})^{33}(2+\sqrt{2}+2^{2^{3/4}})^{11}} \\
f_{13} = & \frac{231640143860022657477860610035442561823604372833058399\pi^{13}x^{13}}{590818065187759718400\sqrt[4]{2}(1+\sqrt[4]{2})^{36}(2+\sqrt{2}+2^{2^{3/4}})^{12}} \\
& + \frac{1101872425355760199277180441564902343655332687457624667\pi^{13}x^{13}}{2363272260751038873600\sqrt{2}(1+\sqrt[4]{2})^{36}(2+\sqrt{2}+2^{2^{3/4}})^{12}} \\
& + \frac{294829768503109824079531631662583265577651187146540903\pi^{13}x^{13}}{5317362586689837465602^{3/4}(1+\sqrt[4]{2})^{36}(2+\sqrt{2}+2^{2^{3/4}})^{12}} \\
& + \frac{25971382186123162626584677260604316891201812486260563\pi^{13}x^{13}}{78775742025034629120(1+\sqrt[4]{2})^{36}(2+\sqrt{2}+2^{2^{3/4}})^{12}} \\
& + \frac{10586975613750312153966042525831604652494774005233933\pi^{13}x^{12}}{12624317632217088000\sqrt[4]{2}(1+\sqrt[4]{2})^{36}(2+\sqrt{2}+2^{2^{3/4}})^{12}} \\
& + \frac{5595602971974333437575171535178200016462739530010361\pi^{13}x^{12}}{5610807836540928000\sqrt{2}(1+\sqrt[4]{2})^{36}(2+\sqrt{2}+2^{2^{3/4}})^{12}} \\
& + \frac{7486122217505593670782996696433747343519546053371057\pi^{13}x^{12}}{63121588161085440002^{3/4}(1+\sqrt[4]{2})^{36}(2+\sqrt{2}+2^{2^{3/4}})^{12}}
\end{aligned}$$

$$\begin{aligned}
& + \frac{1978344407248837584064890995484408993808490371242607\pi^{13}x^{12}}{2805403918270464000(1+\sqrt[4]{2})^{36}(2+\sqrt{2}+2^{2^{3/4}})^{12}} \\
& + \frac{8251085900525897633511804925120358896849319611806827\pi^{13}x^{11}}{13091884951928832000\sqrt{2}(1+\sqrt[4]{2})^{36}(2+\sqrt{2}+2^{2^{3/4}})^{12}} \\
& + \frac{1453666670930809256820057581813455679062435996465333\pi^{13}x^{11}}{1939538511396864000\sqrt{2}(1+\sqrt[4]{2})^{36}(2+\sqrt{2}+2^{2^{3/4}})^{12}} \\
& + \frac{4278559096586198703293593220854184357601897030491203\pi^{13}x^{11}}{4800357815707238400^{2^{3/4}}(1+\sqrt[4]{2})^{36}(2+\sqrt{2}+2^{2^{3/4}})^{12}} \\
& + \frac{308369268818080202218435972176647890961927248264901\pi^{13}x^{11}}{581861553419059200(1+\sqrt[4]{2})^{36}(2+\sqrt{2}+2^{2^{3/4}})^{12}} \\
& + \frac{18363429947144326715046059512830583255505595833005483\pi^{13}x^{10}}{91006783589449728000\sqrt{2}(1+\sqrt[4]{2})^{36}(2+\sqrt{2}+2^{2^{3/4}})^{12}} \\
& + \frac{882340261852465358621308750271626774333127974387901\pi^{13}x^{10}}{3677041761189888000\sqrt{2}(1+\sqrt[4]{2})^{36}(2+\sqrt{2}+2^{2^{3/4}})^{12}} \\
& + \frac{998838906714907368148479178240154755125067506407459\pi^{13}x^{10}}{3500260907286528000^{2^{3/4}}(1+\sqrt[4]{2})^{36}(2+\sqrt{2}+2^{2^{3/4}})^{12}} \\
& + \frac{311954391880379914371302066069367166239375774164347\pi^{13}x^{10}}{1838520880594944000(1+\sqrt[4]{2})^{36}(2+\sqrt{2}+2^{2^{3/4}})^{12}} \\
& + \frac{88877944831641373062353814706904282558695962697937238631\pi^{13}x^9}{3353229206893635829760000\sqrt{2}(1+\sqrt[4]{2})^{36}(2+\sqrt{2}+2^{2^{3/4}})^{12}} \\
& + \frac{38434285102097200241306762835740971179672237330777380343\pi^{13}x^9}{1219356075234049392640000\sqrt{2}(1+\sqrt[4]{2})^{36}(2+\sqrt{2}+2^{2^{3/4}})^{12}} \\
& + \frac{6284619722616835957315989126446532387841908789459407093\pi^{13}x^9}{167661460344681791488000^{2^{3/4}}(1+\sqrt[4]{2})^{36}(2+\sqrt{2}+2^{2^{3/4}})^{12}} \\
& + \frac{5435428736396781415173663016816722083062016536563535701\pi^{13}x^9}{243871215046809878528000(1+\sqrt[4]{2})^{36}(2+\sqrt{2}+2^{2^{3/4}})^{12}} \\
& + \frac{45248778686598712859368184969354304362792485230188451\pi^{13}x^8}{40152161473632665600000\sqrt{2}(1+\sqrt[4]{2})^{36}(2+\sqrt{2}+2^{2^{3/4}})^{12}} \\
& + \frac{39134668648262823100627080810758947682715782115844821\pi^{13}x^8}{29201571980823756800000\sqrt{2}(1+\sqrt[4]{2})^{36}(2+\sqrt{2}+2^{2^{3/4}})^{12}} \\
& + \frac{127982872464838433717193478348002934536335195564967951\pi^{13}x^8}{80304322947265331200000^{2^{3/4}}(1+\sqrt[4]{2})^{36}(2+\sqrt{2}+2^{2^{3/4}})^{12}} \\
& + \frac{55344779275867687708285705371276495939713741283167463\pi^{13}x^8}{58403143961647513600000(1+\sqrt[4]{2})^{36}(2+\sqrt{2}+2^{2^{3/4}})^{12}} \\
& + \frac{1516446039764060394957103241910884934697806337565499\pi^{13}x^7}{229020025728532480000000\sqrt{2}(1+\sqrt[4]{2})^{36}(2+\sqrt{2}+2^{2^{3/4}})^{12}} \\
& + \frac{3606736828754703402077444274317415080702162268998331\pi^{13}x^7}{458040051457064960000000\sqrt{2}(1+\sqrt[4]{2})^{36}(2+\sqrt{2}+2^{2^{3/4}})^{12}}
\end{aligned}$$

$$\begin{aligned}
& + \frac{2144578547093617793938216962710400090320450959202403\pi^{13}x^7}{229020025728532480000000 \ 2^{3/4} (1 + \sqrt[4]{2})^{36} (2 + \sqrt{2} + 2 \ 2^{3/4})^{12}} \\
& + \frac{60363268043663775078656601447390801993875618647551\pi^{13}x^7}{10841184649871360000000 (1 + \sqrt[4]{2})^{36} (2 + \sqrt{2} + 2 \ 2^{3/4})^{12}} \\
f_{14} = & \frac{6787029193774704169414821034940265605910358526299371774065\pi^{14}x^{14}}{4466584572819463471104\sqrt[4]{2} (1 + \sqrt[4]{2})^{39} (2 + \sqrt{2} + 2 \ 2^{3/4})^{13}} \\
& + \frac{201779585099014990167602085537275300207244311780809577997749\pi^{14}x^{14}}{111664614320486586777600\sqrt{2} (1 + \sqrt[4]{2})^{39} (2 + \sqrt{2} + 2 \ 2^{3/4})^{13}} \\
& + \frac{307145879517136984863564486264643825604795596518533117059207\pi^{14}x^{14}}{142930706330222831075328 \ 2^{3/4} (1 + \sqrt[4]{2})^{39} (2 + \sqrt{2} + 2 \ 2^{3/4})^{13}} \\
& + \frac{1826300327008249729886171555338960238764593124007024863386851\pi^{14}x^{14}}{1429307063302228310753280 (1 + \sqrt[4]{2})^{39} (2 + \sqrt{2} + 2 \ 2^{3/4})^{13}} \\
& + \frac{2696607050800188455675511026148418428396586100597767601\pi^{14}x^{13}}{757459057933025280\sqrt[4]{2} (1 + \sqrt[4]{2})^{39} (2 + \sqrt{2} + 2 \ 2^{3/4})^{13}} \\
& + \frac{11452943892797038970730406419356008912077309976746401603\pi^{14}x^{13}}{2705210921189376000\sqrt{2} (1 + \sqrt[4]{2})^{39} (2 + \sqrt{2} + 2 \ 2^{3/4})^{13}} \\
& + \frac{645685208714690170428940070167070432195193337808861387\pi^{14}x^{13}}{128247036263792640 \ 2^{3/4} (1 + \sqrt[4]{2})^{39} (2 + \sqrt{2} + 2 \ 2^{3/4})^{13}} \\
& + \frac{1209369175153085780710158756797489607339247450618032003757\pi^{14}x^{13}}{403978164230946816000 (1 + \sqrt[4]{2})^{39} (2 + \sqrt{2} + 2 \ 2^{3/4})^{13}} \\
& + \frac{15677468265957081469795779032671956159347437339242704887\pi^{14}x^{12}}{5184386440963817472\sqrt[4]{2} (1 + \sqrt[4]{2})^{39} (2 + \sqrt{2} + 2 \ 2^{3/4})^{13}} \\
& + \frac{2330469600019819002587313353539878779408108015461238529359\pi^{14}x^{12}}{648048305120477184000\sqrt{2} (1 + \sqrt[4]{2})^{39} (2 + \sqrt{2} + 2 \ 2^{3/4})^{13}} \\
& + \frac{1182468706525805315720419466979165600816436243719873595579\pi^{14}x^{12}}{276500610184736931840 \ 2^{3/4} (1 + \sqrt[4]{2})^{39} (2 + \sqrt{2} + 2 \ 2^{3/4})^{13}} \\
& + \frac{127836381781138755231331309595784098281864958712831288529\pi^{14}x^{12}}{50272838215406714880 (1 + \sqrt[4]{2})^{39} (2 + \sqrt{2} + 2 \ 2^{3/4})^{13}} \\
& + \frac{1086563334663176070846277549497190444834261236869503783\pi^{14}x^{11}}{945525024305971200\sqrt[4]{2} (1 + \sqrt[4]{2})^{39} (2 + \sqrt{2} + 2 \ 2^{3/4})^{13}} \\
& + \frac{355340933200290146489733523480633394921173808276096061773\pi^{14}x^{11}}{260019381684142080000\sqrt{2} (1 + \sqrt[4]{2})^{39} (2 + \sqrt{2} + 2 \ 2^{3/4})^{13}} \\
& + \frac{90149112791140109468642153958248469857690487047165076739\pi^{14}x^{11}}{55470801425950310400 \ 2^{3/4} (1 + \sqrt[4]{2})^{39} (2 + \sqrt{2} + 2 \ 2^{3/4})^{13}} \\
& + \frac{297794351062092766428520790361327804850726359016429401587\pi^{14}x^{11}}{308171119033057280000 (1 + \sqrt[4]{2})^{39} (2 + \sqrt{2} + 2 \ 2^{3/4})^{13}} \\
& + \frac{878686091081586660952261984032252044045645713611807089698397\pi^{14}x^{10}}{4506740054065046555197440\sqrt[4]{2} (1 + \sqrt[4]{2})^{39} (2 + \sqrt{2} + 2 \ 2^{3/4})^{13}}
\end{aligned}$$

$$\begin{aligned}
& + \frac{130617468872348692069764105203610932069019407254968059855706553\pi^{14}x^{10}}{563342506758130819399680000\sqrt{2}(1+\sqrt[4]{2})^{39}(2+\sqrt{2}+2^{2^{3/4}})^{13}} \\
& + \frac{3823537806727730696250112880582393753828033608424113304171377\pi^{14}x^{10}}{13866892474046297092915200^{2^{3/4}}(1+\sqrt[4]{2})^{39}(2+\sqrt{2}+2^{2^{3/4}})^{13}} \\
& + \frac{295553593785891857804651815248926944023093416510301114634927217\pi^{14}x^{10}}{1802696021626018622078976000(1+\sqrt[4]{2})^{39}(2+\sqrt{2}+2^{2^{3/4}})^{13}} \\
& + \frac{25257658211034086618971735120639118361431121550567647361713\pi^{14}x^9}{1978698517420617760768000\sqrt[4]{2}(1+\sqrt[4]{2})^{39}(2+\sqrt{2}+2^{2^{3/4}})^{13}} \\
& + \frac{750914671041912294854316176005677547292297163844903568470473\pi^{14}x^9}{49467462935515444019200000\sqrt{2}(1+\sqrt[4]{2})^{39}(2+\sqrt{2}+2^{2^{3/4}})^{13}} \\
& + \frac{171439445598000080899197220663464913083052145005234188710299\pi^{14}x^9}{3957397034841235521536000^{2^{3/4}}(1+\sqrt[4]{2})^{39}(2+\sqrt{2}+2^{2^{3/4}})^{13}} \\
& + \frac{2123907425716191978743418458184479068806926080462220431740003\pi^{14}x^9}{19786985174206177607680000(1+\sqrt[4]{2})^{39}(2+\sqrt{2}+2^{2^{3/4}})^{13}} \\
& + \frac{286277538541089648404374536293939881626875833010985285579\pi^{14}x^8}{1369394444598920609792000\sqrt[4]{2}(1+\sqrt[4]{2})^{39}(2+\sqrt{2}+2^{2^{3/4}})^{13}} \\
& + \frac{2503259452732901099843227842075553169269001847601536971631\pi^{14}x^8}{10069076798521475072000000\sqrt{2}(1+\sqrt[4]{2})^{39}(2+\sqrt{2}+2^{2^{3/4}})^{13}} \\
& + \frac{1012143944108854390166548405672505277569381893225633955049\pi^{14}x^8}{3423486111497301524480000^{2^{3/4}}(1+\sqrt[4]{2})^{39}(2+\sqrt{2}+2^{2^{3/4}})^{13}} \\
& + \frac{6018243900948330501258065807695969633641369927205556924877\pi^{14}x^8}{3423486111497301524480000(1+\sqrt[4]{2})^{39}(2+\sqrt{2}+2^{2^{3/4}})^{13}} \\
f_{15} = & \frac{208086686799126819380033030172106266448134575984303298650152613999\pi^{15}x^{15}}{30628008499333463801856000\sqrt[4]{2}(1+\sqrt[4]{2})^{42}(2+\sqrt{2}+2^{2^{3/4}})^{14}} \\
& + \frac{494916336984776667665710133377222260337072486081388072941586174729\pi^{15}x^{15}}{61256016998666927603712000\sqrt{2}(1+\sqrt[4]{2})^{42}(2+\sqrt{2}+2^{2^{3/4}})^{14}} \\
& + \frac{14713950733184818489503969537108511473756714116914356325731862759\pi^{15}x^{15}}{1531400424966673190092800^{2^{3/4}}(1+\sqrt[4]{2})^{42}(2+\sqrt{2}+2^{2^{3/4}})^{14}} \\
& + \frac{2592286651962459907093997794441044727800782621718150005372308321\pi^{15}x^{15}}{453748274064199463731200(1+\sqrt[4]{2})^{42}(2+\sqrt{2}+2^{2^{3/4}})^{14}} \\
& + \frac{215710584368532295008866743004414072714885621533251695852725481\pi^{15}x^{14}}{12465611924840644608000\sqrt[4]{2}(1+\sqrt[4]{2})^{42}(2+\sqrt{2}+2^{2^{3/4}})^{14}} \\
& + \frac{3591343864170618747382121958152100856354651056879290480825837977\pi^{15}x^{14}}{174518566947769024512000\sqrt{2}(1+\sqrt[4]{2})^{42}(2+\sqrt{2}+2^{2^{3/4}})^{14}} \\
& + \frac{59317384390069469417952394400832860496931810939020704281021339\pi^{15}x^{14}}{2423868985385680896000^{2^{3/4}}(1+\sqrt[4]{2})^{42}(2+\sqrt{2}+2^{2^{3/4}})^{14}} \\
& + \frac{2539463600022005225688558633532049601956187299355727272259311127\pi^{15}x^{14}}{174518566947769024512000(1+\sqrt[4]{2})^{42}(2+\sqrt{2}+2^{2^{3/4}})^{14}}
\end{aligned}$$

$$\begin{aligned}
& + \frac{4535724550318304568760281920121982123547529450128214476090099443\pi^{15}x^{13}}{276500610184736931840000\sqrt[4]{2}(1+\sqrt[4]{2})^{42}(2+\sqrt{2}+2^{2^{3/4}})^{14}} \\
& + \frac{97090486330064943309870479649997594736731114725505470050085536077\pi^{15}x^{13}}{4977010983325264773120000\sqrt{2}(1+\sqrt[4]{2})^{42}(2+\sqrt{2}+2^{2^{3/4}})^{14}} \\
& + \frac{2886517428834587215674130022273942466249887610221358051838328323\pi^{15}x^{13}}{124425274583131619328000^{2^{3/4}}(1+\sqrt[4]{2})^{42}(2+\sqrt{2}+2^{2^{3/4}})^{14}} \\
& + \frac{13730668255047406963835422104333237585893718829592958000705191623\pi^{15}x^{13}}{995402196665052954624000(1+\sqrt[4]{2})^{42}(2+\sqrt{2}+2^{2^{3/4}})^{14}} \\
& + \frac{2020984301140693438201910446928086776918355674567605618877319\pi^{15}x^{12}}{279293545641148416000\sqrt[4]{2}(1+\sqrt[4]{2})^{42}(2+\sqrt{2}+2^{2^{3/4}})^{14}} \\
& + \frac{687363508362005296918821870593411730139244274337189142249905327\pi^{15}x^{12}}{79877954053368446976000\sqrt{2}(1+\sqrt[4]{2})^{42}(2+\sqrt{2}+2^{2^{3/4}})^{14}} \\
& + \frac{34059065617180978335184969188018478729187222686171012122448027\pi^{15}x^{12}}{3328248085557018624000^{2^{3/4}}(1+\sqrt[4]{2})^{42}(2+\sqrt{2}+2^{2^{3/4}})^{14}} \\
& + \frac{69434199702998747928642291549548642604914649849237184761010591\pi^{15}x^{12}}{11411136293338349568000(1+\sqrt[4]{2})^{42}(2+\sqrt{2}+2^{2^{3/4}})^{14}} \\
& + \frac{3911862316915719503283409770865996413757739504212002912497328761753\pi^{15}x^{11}}{2575280030894312317255680000\sqrt[4]{2}(1+\sqrt[4]{2})^{42}(2+\sqrt{2}+2^{2^{3/4}})^{14}} \\
& + \frac{27912087002648651215863461099217999944220550589407256497144396759589\pi^{15}x^{11}}{15451680185365873903534080000\sqrt{2}(1+\sqrt[4]{2})^{42}(2+\sqrt{2}+2^{2^{3/4}})^{14}} \\
& + \frac{829831311529272395173849673892476103312607540888710143843603855213\pi^{15}x^{11}}{386292004634146847588352000^{2^{3/4}}(1+\sqrt[4]{2})^{42}(2+\sqrt{2}+2^{2^{3/4}})^{14}} \\
& + \frac{41551212626051286965580585146596189600490764629977290147751846461\pi^{15}x^{11}}{32529853021822892428492800(1+\sqrt[4]{2})^{42}(2+\sqrt{2}+2^{2^{3/4}})^{14}} \\
& + \frac{9768394560045426777323927944068809809052447983881334515516276316251\pi^{15}x^{10}}{70513619893534742020096000000\sqrt[4]{2}(1+\sqrt[4]{2})^{42}(2+\sqrt{2}+2^{2^{3/4}})^{14}} \\
& + \frac{162633020390326670355229111882011733949363776235075701085458696145517\pi^{15}x^{10}}{987190678509486388281344000000\sqrt{2}(1+\sqrt[4]{2})^{42}(2+\sqrt{2}+2^{2^{3/4}})^{14}} \\
& + \frac{48351086250076952137986726436372106305765024059457571239216622694837\pi^{15}x^{10}}{246797669627371597070336000000^{2^{3/4}}(1+\sqrt[4]{2})^{42}(2+\sqrt{2}+2^{2^{3/4}})^{14}} \\
& + \frac{57499455783559323568091960426156888867460139932976978037007975244131\pi^{15}x^{10}}{493595339254743194140672000000(1+\sqrt[4]{2})^{42}(2+\sqrt{2}+2^{2^{3/4}})^{14}} \\
& + \frac{1329656682242171351755554006861640795812315412319273551241425941\pi^{15}x^9}{314415043257057673216000000\sqrt[4]{2}(1+\sqrt[4]{2})^{42}(2+\sqrt{2}+2^{2^{3/4}})^{14}} \\
& + \frac{197654648389964897464683551049754229638621233927349793426736471\pi^{15}x^9}{39301880407132209152000000\sqrt{2}(1+\sqrt[4]{2})^{42}(2+\sqrt{2}+2^{2^{3/4}})^{14}} \\
& + \frac{75216740544089003715816077320326463613145265041238938809190099\pi^{15}x^9}{12576601730282306928640000^{2^{3/4}}(1+\sqrt[4]{2})^{42}(2+\sqrt{2}+2^{2^{3/4}})^{14}}
\end{aligned}$$

$$\begin{aligned}
& + \frac{894482830174558134204901760851905108972880330879681063409187147\pi^{15}x^9}{251532034605646138572800000(1+\sqrt[4]{2})^{42}(2+\sqrt{2}+2^{2^{3/4}})^{14}} \\
& + \frac{908573767584941631110599557472979622974334521782201134200565553\pi^{15}x^8}{498347575985286676480000000\sqrt[4]{2}(1+\sqrt[4]{2})^{42}(2+\sqrt{2}+2^{2^{3/4}})^{14}} \\
& + \frac{432192955590356432717405928011959294613510785429468201511952141\pi^{15}x^8}{19933903039411467059200000000\sqrt{2}(1+\sqrt[4]{2})^{42}(2+\sqrt{2}+2^{2^{3/4}})^{14}} \\
& + \frac{256983468944636837387251812349324160190528142274033669504978373\pi^{15}x^8}{9969515197057335296000000002^{3/4}(1+\sqrt[4]{2})^{42}(2+\sqrt{2}+2^{2^{3/4}})^{14}} \\
& + \frac{611213139380682242199328018313864760180270827119144464426289443\pi^{15}x^8}{3986780607882293411840000000(1+\sqrt[4]{2})^{42}(2+\sqrt{2}+2^{2^{3/4}})^{14}} \\
f_{16} = & \frac{4490804437438126951470147521237461062394095755747660517388884582099123427\pi^{16}x^{16}}{129372707901184551099039744000\sqrt[4]{2}(1+\sqrt[4]{2})^{45}(2+\sqrt{2}+2^{2^{3/4}})^{15}} \\
& + \frac{5340496589188232152018217352825566179375301072403132806876268255991250209\pi^{16}x^{16}}{129372707901184551099039744000\sqrt{2}(1+\sqrt[4]{2})^{45}(2+\sqrt{2}+2^{2^{3/4}})^{15}} \\
& + \frac{488535118576015588406605839555305340768948517743118662485814791950329137\pi^{16}x^{16}}{99517467616295808537722880002^{3/4}(1+\sqrt[4]{2})^{45}(2+\sqrt{2}+2^{2^{3/4}})^{15}} \\
& + \frac{7552602706067981606790683125287355327682719756649596015957063013723219863\pi^{16}x^{16}}{258745415802369102198079488000(1+\sqrt[4]{2})^{45}(2+\sqrt{2}+2^{2^{3/4}})^{15}} \\
& + \frac{2022266015445929128508647631419151146652801161146079976696843103823039\pi^{16}x^{15}}{21174919456329308307456000\sqrt[4]{2}(1+\sqrt[4]{2})^{45}(2+\sqrt{2}+2^{2^{3/4}})^{15}} \\
& + \frac{7214679402125975594791344065113970853728003616314075773834508494270783\pi^{16}x^{15}}{63524758368987924922368000\sqrt{2}(1+\sqrt[4]{2})^{45}(2+\sqrt{2}+2^{2^{3/4}})^{15}} \\
& + \frac{1715949615488357543943805807815809712320846668487005068606573622220359\pi^{16}x^{15}}{127049516737975849844736002^{3/4}(1+\sqrt[4]{2})^{45}(2+\sqrt{2}+2^{2^{3/4}})^{15}} \\
& + \frac{261617883549530561802751315620402195558751818742990348869884719843151\pi^{16}x^{15}}{3257679916358355124224000(1+\sqrt[4]{2})^{45}(2+\sqrt{2}+2^{2^{3/4}})^{15}} \\
& + \frac{1194437929881298706662982972726240103214058085503617599057390817405697\pi^{16}x^{14}}{11944826359980635455488000\sqrt[4]{2}(1+\sqrt[4]{2})^{45}(2+\sqrt{2}+2^{2^{3/4}})^{15}} \\
& + \frac{1420434084670830230707815911091433515456428861471668246799190521043499\pi^{16}x^{14}}{11944826359980635455488000\sqrt{2}(1+\sqrt[4]{2})^{45}(2+\sqrt{2}+2^{2^{3/4}})^{15}} \\
& + \frac{1689190319877022365009099185365922284801056399415662744370001583765791\pi^{16}x^{14}}{119448263599806354554880002^{3/4}(1+\sqrt[4]{2})^{45}(2+\sqrt{2}+2^{2^{3/4}})^{15}} \\
& + \frac{2008797146953479441907293086300122896168347956377025231841708936463293\pi^{16}x^{14}}{23889652719961270910976000(1+\sqrt[4]{2})^{45}(2+\sqrt{2}+2^{2^{3/4}})^{15}} \\
& + \frac{3376239383666576991873195217286280799747917249205136536664248541229487\pi^{16}x^{13}}{67097481404829495459840000\sqrt[4]{2}(1+\sqrt[4]{2})^{45}(2+\sqrt{2}+2^{2^{3/4}})^{15}} \\
& + \frac{36135431073761784393080039457435713847937835805643180835277841568106637\pi^{16}x^{13}}{603877332643465459138560000\sqrt{2}(1+\sqrt[4]{2})^{45}(2+\sqrt{2}+2^{2^{3/4}})^{15}}
\end{aligned}$$

$$\begin{aligned}
& + \frac{68756018778332274789461016301588664885198569180495865853131344063625\pi^{16}x^{13}}{966203732229544734621696 \cdot 2^{3/4} (1 + \sqrt[4]{2})^{45} (2 + \sqrt{2} + 2 \cdot 2^{3/4})^{15}} \\
& + \frac{17034405568522248060771804354320949838965379259618818194103207086449497\pi^{16}x^{13}}{402584888428976972759040000 (1 + \sqrt[4]{2})^{45} (2 + \sqrt{2} + 2 \cdot 2^{3/4})^{15}} \\
& + \frac{1118382056338610595081248453495696664802357328970179304748127641508608007\pi^{16}x^{12}}{88295315344947850877337600000 \sqrt[4]{2} (1 + \sqrt[4]{2})^{45} (2 + \sqrt{2} + 2 \cdot 2^{3/4})^{15}} \\
& + \frac{306920284318709414489726021816034756501122256800868173444953640502266339\pi^{16}x^{12}}{20375842002680273279385600000 \sqrt{2} (1 + \sqrt[4]{2})^{45} (2 + \sqrt{2} + 2 \cdot 2^{3/4})^{15}} \\
& + \frac{4744893216039483942842999149703406888414130749353329049738137160738586763\pi^{16}x^{12}}{264885946034843552632012800000 \cdot 2^{3/4} (1 + \sqrt[4]{2})^{45} (2 + \sqrt{2} + 2 \cdot 2^{3/4})^{15}} \\
& + \frac{1880886924111854169294677089078151950941151350559717351723846522364701483\pi^{16}x^{12}}{176590630689895701754675200000 (1 + \sqrt[4]{2})^{45} (2 + \sqrt{2} + 2 \cdot 2^{3/4})^{15}} \\
& + \frac{3208212637027111484078636838798925434867481766695943896572158230241653449\pi^{16}x^{11}}{2126256846020432220913664000000 \sqrt[4]{2} (1 + \sqrt[4]{2})^{45} (2 + \sqrt{2} + 2 \cdot 2^{3/4})^{15}} \\
& + \frac{3815229294466451060491849233879302645626268519065561781948835051966582371\pi^{16}x^{11}}{2126256846020432220913664000000 \sqrt{2} (1 + \sqrt[4]{2})^{45} (2 + \sqrt{2} + 2 \cdot 2^{3/4})^{15}} \\
& + \frac{907419564466090133846325472694074636273706396633515710835778258672419727\pi^{16}x^{11}}{425251369204086444182732800000 \cdot 2^{3/4} (1 + \sqrt[4]{2})^{45} (2 + \sqrt{2} + 2 \cdot 2^{3/4})^{15}} \\
& + \frac{490504455606969343195803733987156932203387713716428741263982058607598883\pi^{16}x^{11}}{386592153821896767438848000000 (1 + \sqrt[4]{2})^{45} (2 + \sqrt{2} + 2 \cdot 2^{3/4})^{15}} \\
& + \frac{236373966599252282146710122900437075008048113517774293088465245710976737\pi^{16}x^{10}}{3292554332987907953917952000000 \sqrt[4]{2} (1 + \sqrt[4]{2})^{45} (2 + \sqrt{2} + 2 \cdot 2^{3/4})^{15}} \\
& + \frac{281097602886563525355930407457719269662939052261129887622408752976309579\pi^{16}x^{10}}{3292554332987907953917952000000 \sqrt{2} (1 + \sqrt[4]{2})^{45} (2 + \sqrt{2} + 2 \cdot 2^{3/4})^{15}} \\
& + \frac{1118004245356996329577434530251737209872684439541969701209304664113389\pi^{16}x^{10}}{11011887401297351016448000000 \cdot 2^{3/4} (1 + \sqrt[4]{2})^{45} (2 + \sqrt{2} + 2 \cdot 2^{3/4})^{15}} \\
& + \frac{17284001841036303247520864590995974383650729305994531644117723550202811\pi^{16}x^{10}}{286309072433731126427648000000 (1 + \sqrt[4]{2})^{45} (2 + \sqrt{2} + 2 \cdot 2^{3/4})^{15}} \\
& + \frac{555115115856539742459491593902435808872238026954438046730805608380659\pi^{16}x^9}{635399022293899162943488000000 \sqrt[4]{2} (1 + \sqrt[4]{2})^{45} (2 + \sqrt{2} + 2 \cdot 2^{3/4})^{15}} \\
& + \frac{34744570812349686873219212048906088485370109623391299909584915402739\pi^{16}x^9}{33442053804942061207552000000 \sqrt{2} (1 + \sqrt[4]{2})^{45} (2 + \sqrt{2} + 2 \cdot 2^{3/4})^{15}} \\
& + \frac{39252566276736762086877198939007178963055039277821085370277059174037\pi^{16}x^9}{31769951114694958147174400000 \cdot 2^{3/4} (1 + \sqrt[4]{2})^{45} (2 + \sqrt{2} + 2 \cdot 2^{3/4})^{15}} \\
& + \frac{17953627345203172865835750383037489698104334003863064628737119733139\pi^{16}x^9}{24438423934380737036288000000 (1 + \sqrt[4]{2})^{45} (2 + \sqrt{2} + 2 \cdot 2^{3/4})^{15}} \\
f_{17} = & \frac{1545515497764786625910102554123212817029385091521951116227429235576660533249\pi^{17}x^{17}}{7689986133986494296096768000 \sqrt[4]{2} (1 + \sqrt[4]{2})^{48} (2 + \sqrt{2} + 2 \cdot 2^{3/4})^{16}} \\
& + \frac{2523121322490834055993258019052008578751331662349859172210939984072373518793731\pi^{17}x^{17}}{10556812964736659369681643110400 \sqrt{2} (1 + \sqrt[4]{2})^{48} (2 + \sqrt{2} + 2 \cdot 2^{3/4})^{16}}
\end{aligned}$$

$$\begin{aligned}
& + \frac{14206978355638885620695784203212571161161223646755462661532337687290202992119\pi^{17} x^{17}}{49984909870912212924628992000 \cdot 2^{3/4} (1 + \sqrt[4]{2})^{48} (2 + \sqrt{2} + 2 \cdot 2^{3/4})^{16}} \\
& + \frac{101370238459232579386508604423366145161768036180685565440362391238543269708093\pi^{17} x^{17}}{599818918450946555095547904000 (1 + \sqrt[4]{2})^{48} (2 + \sqrt{2} + 2 \cdot 2^{3/4})^{16}} \\
& + \frac{4192790496976725228649997458683020435025162003364479626667845092892187731\pi^{17} x^{16}}{7058306485443102769152000 \cdot \sqrt[4]{2} (1 + \sqrt[4]{2})^{48} (2 + \sqrt{2} + 2 \cdot 2^{3/4})^{16}} \\
& + \frac{717997865864178984729126579594856191451695463278676781592164989922868821369\pi^{17} x^{16}}{1016396133903806798757888000 \sqrt{2} (1 + \sqrt[4]{2})^{48} (2 + \sqrt{2} + 2 \cdot 2^{3/4})^{16}} \\
& + \frac{26682755332485511338574961600552028362284136786126674380535764112227638897\pi^{17} x^{16}}{31762379184493962461184000 \cdot 2^{3/4} (1 + \sqrt[4]{2})^{48} (2 + \sqrt{2} + 2 \cdot 2^{3/4})^{16}} \\
& + \frac{2092175109181305560799143791067829916102146800676016211562374813808192673\pi^{17} x^{16}}{4188445606746456588288000 (1 + \sqrt[4]{2})^{48} (2 + \sqrt{2} + 2 \cdot 2^{3/4})^{16}} \\
& + \frac{3381744865392934373965029606046420016818412108734561613154617213790629\pi^{17} x^{15}}{4965218589175971840000 \cdot \sqrt[4]{2} (1 + \sqrt[4]{2})^{48} (2 + \sqrt{2} + 2 \cdot 2^{3/4})^{16}} \\
& + \frac{574382261903529448740440408584336307958750192108869143059794547971284681\pi^{17} x^{15}}{709154811724267782144000 \sqrt{2} (1 + \sqrt[4]{2})^{48} (2 + \sqrt{2} + 2 \cdot 2^{3/4})^{16}} \\
& + \frac{5229674086976624365610477364139300402113525844920141983861037226422553781\pi^{17} x^{15}}{5429466527263925207040000 \cdot 2^{3/4} (1 + \sqrt[4]{2})^{48} (2 + \sqrt{2} + 2 \cdot 2^{3/4})^{16}} \\
& + \frac{410464931802702673779001250234931732827915671152612136241786646057502151357\pi^{17} x^{15}}{716689581598838127329280000 (1 + \sqrt[4]{2})^{48} (2 + \sqrt{2} + 2 \cdot 2^{3/4})^{16}} \\
& + \frac{104992169065942316028503194550819233340823193116643926168455711385617419\pi^{17} x^{14}}{272311207000119705600000 \cdot \sqrt[4]{2} (1 + \sqrt[4]{2})^{48} (2 + \sqrt{2} + 2 \cdot 2^{3/4})^{16}} \\
& + \frac{153824359270564795477438492474075651577896815845198315926251194068421091013\pi^{17} x^{14}}{335487407024147477299200000 \sqrt{2} (1 + \sqrt[4]{2})^{48} (2 + \sqrt{2} + 2 \cdot 2^{3/4})^{16}} \\
& + \frac{222722024153408277939483857070938162700063048804734279699812873891047731\pi^{17} x^{14}}{408466810500179558400000 \cdot 2^{3/4} (1 + \sqrt[4]{2})^{48} (2 + \sqrt{2} + 2 \cdot 2^{3/4})^{16}} \\
& + \frac{122366528495388584785498050101517726078296384752053992814198254922039271493\pi^{17} x^{14}}{377423332902165911961600000 (1 + \sqrt[4]{2})^{48} (2 + \sqrt{2} + 2 \cdot 2^{3/4})^{16}} \\
& + \frac{136840154891985174387490562723429544288436021610402780967947014249920518021\pi^{17} x^{13}}{1204027027431107057418240000 \cdot \sqrt[4]{2} (1 + \sqrt[4]{2})^{48} (2 + \sqrt{2} + 2 \cdot 2^{3/4})^{16}} \\
& + \frac{312444068766181273111574627868227783902789237157964629650773365881292279981\pi^{17} x^{13}}{2311731892667725550243020800 \sqrt{2} (1 + \sqrt[4]{2})^{48} (2 + \sqrt{2} + 2 \cdot 2^{3/4})^{16}} \\
& + \frac{96760601462467159337341842623015621025217582544303050428543509175958188847\pi^{17} x^{13}}{602013513715553528709120000 \cdot 2^{3/4} (1 + \sqrt[4]{2})^{48} (2 + \sqrt{2} + 2 \cdot 2^{3/4})^{16}} \\
& + \frac{7594514116928679219798988175392359177349411163701419354550786810164301626169\pi^{17} x^{13}}{79465783810453065789603840000 (1 + \sqrt[4]{2})^{48} (2 + \sqrt{2} + 2 \cdot 2^{3/4})^{16}} \\
& + \frac{1616772315634725804302310241840665299695392080454940275927945809226630151067\pi^{17} x^{12}}{95597516298349472382976000000 \cdot \sqrt[4]{2} (1 + \sqrt[4]{2})^{48} (2 + \sqrt{2} + 2 \cdot 2^{3/4})^{16}} \\
& + \frac{23348991201437982987494936881924553075329616910281942752501706177781954673848223\pi^{17} x^{12}}{1160936237927155992618860544000000 \sqrt{2} (1 + \sqrt[4]{2})^{48} (2 + \sqrt{2} + 2 \cdot 2^{3/4})^{16}} \\
& + \frac{78882916093156815982132919920750503549713684349213804922426082251537410213229\pi^{17} x^{12}}{3298114312293056797212672000000 \cdot 2^{3/4} (1 + \sqrt[4]{2})^{48} (2 + \sqrt{2} + 2 \cdot 2^{3/4})^{16}} \\
& + \frac{442238303901849358214102318577808389056813992897031479881034328172677283822989\pi^{17} x^{12}}{31096506373048821230862336000000 (1 + \sqrt[4]{2})^{48} (2 + \sqrt{2} + 2 \cdot 2^{3/4})^{16}} \\
& + \frac{11671424846565647776767965909740599726701392252034993468611960053530481\pi^{17} x^{11}}{103052422204654354432000000 \cdot \sqrt[4]{2} (1 + \sqrt[4]{2})^{48} (2 + \sqrt{2} + 2 \cdot 2^{3/4})^{16}} \\
& + \frac{4382445090629043984714561356348526801375717820601408107263342495428426009939\pi^{17} x^{11}}{3253818399658638448577740800000 \sqrt{2} (1 + \sqrt[4]{2})^{48} (2 + \sqrt{2} + 2 \cdot 2^{3/4})^{16}} \\
& + \frac{61690753821815978069342562016991418836363720684824251468867082506689748437\pi^{17} x^{11}}{385158427989956496896000000 \cdot 2^{3/4} (1 + \sqrt[4]{2})^{48} (2 + \sqrt{2} + 2 \cdot 2^{3/4})^{16}} \\
& + \frac{1408571200795036464686054704271912255818124712326934954064024824449475037733\pi^{17} x^{11}}{1479008363481199294808064000000 (1 + \sqrt[4]{2})^{48} (2 + \sqrt{2} + 2 \cdot 2^{3/4})^{16}} \\
& + \frac{942184065227203664736025292447973173753854433968068952549932907947938619\pi^{17} x^{10}}{36275785527596406538240000000 \cdot \sqrt[4]{2} (1 + \sqrt[4]{2})^{48} (2 + \sqrt{2} + 2 \cdot 2^{3/4})^{16}} \\
& + \frac{41515694935988047262846581771345331855776138569382683177899903795762676339\pi^{17} x^{10}}{1344113316390940536995840000000 \sqrt{2} (1 + \sqrt[4]{2})^{48} (2 + \sqrt{2} + 2 \cdot 2^{3/4})^{16}} \\
& + \frac{5329797933169471528613553672253476413208384326119156712966733621030333351\pi^{17} x^{10}}{1451031421110385626152960000000 \cdot 2^{3/4} (1 + \sqrt[4]{2})^{48} (2 + \sqrt{2} + 2 \cdot 2^{3/4})^{16}}
\end{aligned}$$

$$\begin{aligned}
& + \frac{85809932135544651335309822565207432581893831079032007297070127664172955293\pi^{17} x^{10}}{3928946617142749261987840000000 \left(1 + \sqrt[4]{2}\right)^{48} \left(2 + \sqrt{2} + 2^{3/4}\right)^{16}} \\
& + \frac{1639096947884099404087117443150870458621374473876080962590979248481092639\pi^{17} x^9}{19176414723913831310950400000000 \sqrt[4]{2} \left(1 + \sqrt[4]{2}\right)^{48} \left(2 + \sqrt{2} + 2^{3/4}\right)^{16}} \\
& + \frac{38984515052083360640638036048633084263645985667994798830194788756003820161\pi^{17} x^9}{383528294478276626219008000000000 \sqrt{2} \left(1 + \sqrt[4]{2}\right)^{48} \left(2 + \sqrt{2} + 2^{3/4}\right)^{16}} \\
& + \frac{11590165668677488592577749843872399312918740511945872018567378927391153893\pi^{17} x^9}{95882073619569156554752000000000 \ 2^{3/4} \left(1 + \sqrt[4]{2}\right)^{48} \left(2 + \sqrt{2} + 2^{3/4}\right)^{16}} \\
& + \frac{220529719635894218147899438775017227536255124382750426037266012250803339119\pi^{17} x^9}{3068226355826213009752064000000000 \left(1 + \sqrt[4]{2}\right)^{48} \left(2 + \sqrt{2} + 2^{3/4}\right)^{16}} \\
f_{18} = & \frac{63777573917517098767365809867187056674634202103834619105318582545804598316105501301\pi^{18} x^{18}}{48723752144938427860069122048000 \sqrt[4]{2} \left(1 + \sqrt[4]{2}\right)^{51} \left(2 + \sqrt{2} + 2^{3/4}\right)^{17}} \\
& + \frac{109553520093741205091637806910021131388634364397083881744602989605764051397237816697\pi^{18} x^{18}}{70378753098244395797877620736000 \sqrt{2} \left(1 + \sqrt[4]{2}\right)^{51} \left(2 + \sqrt{2} + 2^{3/4}\right)^{17}} \\
& + \frac{6681119259950246538206942776088311731102360353973372194647461630625997498986607473\pi^{18} x^{18}}{3609166825550994656301416448000 \ 2^{3/4} \left(1 + \sqrt[4]{2}\right)^{51} \left(2 + \sqrt{2} + 2^{3/4}\right)^{17}} \\
& + \frac{2788777330601711049944061651595171924296572434659915542347401587769038641458589524451\pi^{18} x^{18}}{2533635111536798248723594346496000 \left(1 + \sqrt[4]{2}\right)^{51} \left(2 + \sqrt{2} + 2^{3/4}\right)^{17}} \\
& + \frac{960527958048793254340923629553594021461665967658219249792647276435439456767757731\pi^{18} x^{17}}{232207424438023553254686720000 \sqrt[4]{2} \left(1 + \sqrt[4]{2}\right)^{51} \left(2 + \sqrt{2} + 2^{3/4}\right)^{17}} \\
& + \frac{7714008760680814780176451690002208559732977134026679529402098548218930352484299\pi^{18} x^{17}}{1568154035165873346655027200 \sqrt{2} \left(1 + \sqrt[4]{2}\right)^{51} \left(2 + \sqrt{2} + 2^{3/4}\right)^{17}} \\
& + \frac{2716783330619960508647941191420064398239791344716661782328869196431721007642591229\pi^{18} x^{17}}{464414848876047106509373440000 \ 2^{3/4} \left(1 + \sqrt[4]{2}\right)^{51} \left(2 + \sqrt{2} + 2^{3/4}\right)^{17}} \\
& + \frac{42000634867045274646970487317726669489581888499054510328373614207146328502438427973\pi^{18} x^{17}}{1207478607077224769243709440000 \left(1 + \sqrt[4]{2}\right)^{51} \left(2 + \sqrt{2} + 2^{3/4}\right)^{17}} \\
& + \frac{25338542399720942876985534848367966017114078037927574153647411171249324600590411\pi^{18} x^{16}}{4914442845249175730257920000 \sqrt[4]{2} \left(1 + \sqrt[4]{2}\right)^{51} \left(2 + \sqrt{2} + 2^{3/4}\right)^{17}} \\
& + \frac{210929424338710048509709448327608435445327326249331330796253758204118337786999837\pi^{18} x^{16}}{34401099916744230111805440000 \sqrt{2} \left(1 + \sqrt[4]{2}\right)^{51} \left(2 + \sqrt{2} + 2^{3/4}\right)^{17}} \\
& + \frac{501677544373887104744190756177767442276389957014974961399423808741736295420711507\pi^{18} x^{16}}{68802199833488460223610880000 \ 2^{3/4} \left(1 + \sqrt[4]{2}\right)^{51} \left(2 + \sqrt{2} + 2^{3/4}\right)^{17}} \\
& + \frac{7755780567688943388742315598747323176643257965501045241413657905567644690456456587\pi^{18} x^{16}}{178885195670699965813882880000 \left(1 + \sqrt[4]{2}\right)^{51} \left(2 + \sqrt{2} + 2^{3/4}\right)^{17}} \\
& + \frac{52643814525859641855199033628465373466030584987818452621094979739655304198497\pi^{18} x^{15}}{16216006694761589951692800 \sqrt[4]{2} \left(1 + \sqrt[4]{2}\right)^{51} \left(2 + \sqrt{2} + 2^{3/4}\right)^{17}} \\
& + \frac{2504175951800084095730096593756730623535549035740148893345178860433176795481\pi^{18} x^{15}}{648640267790463598067712 \sqrt{2} \left(1 + \sqrt[4]{2}\right)^{51} \left(2 + \sqrt{2} + 2^{3/4}\right)^{17}} \\
& + \frac{148899192954921920918815210439300094482889972339967223943478319946877021732223\pi^{18} x^{15}}{32430213389523179903385600 \ 2^{3/4} \left(1 + \sqrt[4]{2}\right)^{51} \left(2 + \sqrt{2} + 2^{3/4}\right)^{17}} \\
& + \frac{177071979680251738671249284741825184825188746460854049168359314821088982232627\pi^{18} x^{15}}{64864026779046359806771200 \left(1 + \sqrt[4]{2}\right)^{51} \left(2 + \sqrt{2} + 2^{3/4}\right)^{17}} \\
& + \frac{77460727087274322627115701780170859692980518813067833477906168113860473544503350711\pi^{18} x^{14}}{7041890996126302445355663360000 \sqrt[4]{2} \left(1 + \sqrt[4]{2}\right)^{51} \left(2 + \sqrt{2} + 2^{3/4}\right)^{17}} \\
& + \frac{1197519021210471936975366524436457106947080638803916317356024227958537701786355995963\pi^{18} x^{14}}{91544582949641931789623623680000 \sqrt{2} \left(1 + \sqrt[4]{2}\right)^{51} \left(2 + \sqrt{2} + 2^{3/4}\right)^{17}} \\
& + \frac{219092021596021793133327896120929415028217647877473908626464379397449570041560221321\pi^{18} x^{14}}{140837819922526048907113267200000 \ 2^{3/4} \left(1 + \sqrt[4]{2}\right)^{51} \left(2 + \sqrt{2} + 2^{3/4}\right)^{17}} \\
& + \frac{3387095281991973910277393057361354868090000841267562047541233845635510940697661177521\pi^{18} x^{14}}{3661783317985677271584944947200000 \left(1 + \sqrt[4]{2}\right)^{51} \left(2 + \sqrt{2} + 2^{3/4}\right)^{17}} \\
& + \frac{721412936938984038728730829372248395300720660385682488853407155106437682526002859\pi^{18} x^{13}}{3645011736035026664423424000000 \sqrt[4]{2} \left(1 + \sqrt[4]{2}\right)^{51} \left(2 + \sqrt{2} + 2^{3/4}\right)^{17}} \\
& + \frac{12746082476584023665243925915712749216712875810346186032570959433134057784670909\pi^{18} x^{13}}{54154460078234681871433728000 \sqrt{2} \left(1 + \sqrt[4]{2}\right)^{51} \left(2 + \sqrt{2} + 2^{3/4}\right)^{17}} \\
& + \frac{107392837841015529016187237497572525554809737227677809391426175990794328088809599\pi^{18} x^{13}}{383685445898423859412992000000 \ 2^{3/4} \left(1 + \sqrt[4]{2}\right)^{51} \left(2 + \sqrt{2} + 2^{3/4}\right)^{17}} \\
& + \frac{31544944734651697116991180226448755818695313604027336227967830611453915801125030197\pi^{18} x^{13}}{189540610273821386550018048000000 \left(1 + \sqrt[4]{2}\right)^{51} \left(2 + \sqrt{2} + 2^{3/4}\right)^{17}}
\end{aligned}$$

$$\begin{aligned}
& + \frac{120107339518357265588072329900399630834002017971556153922627030563288132002758262062156043\pi^{19} x^{15}}{8788279963165625451803867873280000\sqrt{2}\left(1+\sqrt[4]{2}\right)^{54}\left(2+\sqrt{2}+2^{3/4}\right)^{18}} \\
& + \frac{38693015442531626839117497458717698141995467261994438037969252718714403205184034816701\pi^{19} x^{15}}{2380725996213598226107858944000^{2^{3/4}}\left(1+\sqrt[4]{2}\right)^{54}\left(2+\sqrt{2}+2^{3/4}\right)^{18}} \\
& + \frac{23780039988241280428697296037122539211891546881387934868332691810675494661492694187216601\pi^{19} x^{15}}{2460718389686375126505083004518400\left(1+\sqrt[4]{2}\right)^{54}\left(2+\sqrt{2}+2^{3/4}\right)^{18}} \\
& + \frac{160647783820218451548007240917665586776025164203833850936260845918197554923958490786471\pi^{19} x^{14}}{65867506194703540665345638400000\sqrt[4]{2}\left(1+\sqrt[4]{2}\right)^{54}\left(2+\sqrt{2}+2^{3/4}\right)^{18}} \\
& + \frac{23029424042060607790172890304419044092050601804278973469048742516984653803846861455409639\pi^{19} x^{14}}{7940028474016081356568028774400000\sqrt{2}\left(1+\sqrt[4]{2}\right)^{54}\left(2+\sqrt{2}+2^{3/4}\right)^{18}} \\
& + \frac{110755258888186572127468332188181686444260929409430396522225437333975801160232689471261\pi^{19} x^{14}}{321104092699179760743559987200000^{2^{3/4}}\left(1+\sqrt[4]{2}\right)^{54}\left(2+\sqrt{2}+2^{3/4}\right)^{18}} \\
& + \frac{25589554425229367764634004347022073278348132069146922420070020314644941960874372610828207\pi^{19} x^{14}}{12477187602025270703178330931200000\left(1+\sqrt[4]{2}\right)^{54}\left(2+\sqrt{2}+2^{3/4}\right)^{18}} \\
& + \frac{24389321630339302360960057048436278263719775152461049896686275103041994641748088920277019309\pi^{19} x^{13}}{8999905510172610334120499321241600000\sqrt[4]{2}\left(1+\sqrt[4]{2}\right)^{54}\left(2+\sqrt{2}+2^{3/4}\right)^{18}} \\
& + \frac{46958783982769025247592514499750500220668429234608508679118526371359362975451466810282305229\pi^{19} x^{13}}{145712755878985119695284274724864000000\sqrt{2}\left(1+\sqrt[4]{2}\right)^{54}\left(2+\sqrt{2}+2^{3/4}\right)^{18}} \\
& + \frac{5389329597226262991423476986449832704272156527327770698779056407414133831763964274987007\pi^{19} x^{13}}{140623523596447036470632801894400000^{2^{3/4}}\left(1+\sqrt[4]{2}\right)^{54}\left(2+\sqrt{2}+2^{3/4}\right)^{18}} \\
& + \frac{139460473280080943232026689102172262049355550117380566579855968958806621081733990274870346109\pi^{19} x^{13}}{61199357469173750272019395384428800000\left(1+\sqrt[4]{2}\right)^{54}\left(2+\sqrt{2}+2^{3/4}\right)^{18}} \\
& + \frac{416340261188309407798388008492408336851149668590499326930420174436662318989296051327599\pi^{19} x^{12}}{30001874269672984259193733120000000\sqrt[4]{2}\left(1+\sqrt[4]{2}\right)^{54}\left(2+\sqrt{2}+2^{3/4}\right)^{18}} \\
& + \frac{141602833048015168970023362546639658540789850254183528642282463928093306467979881134085811\pi^{19} x^{12}}{8580536041126473498129407672320000000\sqrt{2}\left(1+\sqrt[4]{2}\right)^{54}\left(2+\sqrt{2}+2^{3/4}\right)^{18}} \\
& + \frac{420987741413135348356950443727031816265439219645765699774319800983373982888102065857891067\pi^{19} x^{12}}{2145134010281618374532351918080000000^{2^{3/4}}\left(1+\sqrt[4]{2}\right)^{54}\left(2+\sqrt{2}+2^{3/4}\right)^{18}} \\
& + \frac{60792196400692738587939574050991984779801278596259096027939112347023497551764140723583269\pi^{19} x^{12}}{5209611167826787481007140372480000000\left(1+\sqrt[4]{2}\right)^{54}\left(2+\sqrt{2}+2^{3/4}\right)^{18}} \\
& + \frac{210269303122078457183657965006462797396011049961940408491943456352302744597170602934743\pi^{19} x^{11}}{849909732220319520353209548800000000\sqrt[4]{2}\left(1+\sqrt[4]{2}\right)^{54}\left(2+\sqrt{2}+2^{3/4}\right)^{18}} \\
& + \frac{4250913772770104505418271435417287144551835509881745299728511130714413025300640783361109\pi^{19} x^{11}}{14448465447745431846004562329600000000\sqrt{2}\left(1+\sqrt[4]{2}\right)^{54}\left(2+\sqrt{2}+2^{3/4}\right)^{18}} \\
& + \frac{59473140045195651629321498543652936583583546197616386432230718459203252323198035957263\pi^{19} x^{11}}{169981946444063904070641909760000000^{2^{3/4}}\left(1+\sqrt[4]{2}\right)^{54}\left(2+\sqrt{2}+2^{3/4}\right)^{18}} \\
& + \frac{141451762586612094247620532402182476469779663166674147103859409740169758195060259549721\pi^{19} x^{11}}{679927785776255616282567639040000000\left(1+\sqrt[4]{2}\right)^{54}\left(2+\sqrt{2}+2^{3/4}\right)^{18}} \\
& + \frac{189690149362013429396675463457342888748909850705388254253718651915379872187354927633\pi^{19} x^{10}}{295993601385587607999610880000000000\sqrt[4]{2}\left(1+\sqrt[4]{2}\right)^{54}\left(2+\sqrt{2}+2^{3/4}\right)^{18}} \\
& + \frac{30678999036341335303384491028861367343354416695122312941532274092404904406117251193077\pi^{19} x^{10}}{40255129788439914687947079680000000000\sqrt{2}\left(1+\sqrt[4]{2}\right)^{54}\left(2+\sqrt{2}+2^{3/4}\right)^{18}} \\
& + \frac{63120560441490225717506774444398947002395448191720434329050663489967391654806419533\pi^{19} x^{10}}{696455532671970842352025600000000000^{2^{3/4}}\left(1+\sqrt[4]{2}\right)^{54}\left(2+\sqrt{2}+2^{3/4}\right)^{18}} \\
& + \frac{43386656517231893466792936084081803777916497406017215996734633865526377052192888214441\pi^{19} x^{10}}{80510259576879829375894159360000000000\left(1+\sqrt[4]{2}\right)^{54}\left(2+\sqrt{2}+2^{3/4}\right)^{18}} \\
f_{20} = & \frac{51109585630718446170313597236290559782492213522852916949355589221440816553004247048383740784983\pi^{20} x^{20}}{663351738293270814211268337991680000\sqrt[4]{2}\left(1+\sqrt[4]{2}\right)^{57}\left(2+\sqrt{2}+2^{3/4}\right)^{19}} \\
& + \frac{133715742329161557786788216411578225105248180487378927436107830121465218677964846663641043386503\pi^{20} x^{20}}{1459373824245195791264790343581696000\sqrt{2}\left(1+\sqrt[4]{2}\right)^{57}\left(2+\sqrt{2}+2^{3/4}\right)^{19}} \\
& + \frac{88342062314284713165076666295893389929147279570995044631247250144719430656741016987219048240101\pi^{20} x^{20}}{810763235691775439591550190878720000^{2^{3/4}}\left(1+\sqrt[4]{2}\right)^{57}\left(2+\sqrt{2}+2^{3/4}\right)^{19}} \\
& + \frac{35019003019386810065521282038893306397692979621508297829404026579259855239462579497478960964201\pi^{20} x^{20}}{540508823794516959727700127252480000\left(1+\sqrt[4]{2}\right)^{57}\left(2+\sqrt{2}+2^{3/4}\right)^{19}} \\
& + \frac{14451552988126368423776029799411097517905601361518928387627028232201650267009173283137081189381\pi^{20} x^{19}}{52549468980022482195748623482880000\sqrt[4]{2}\left(1+\sqrt[4]{2}\right)^{57}\left(2+\sqrt{2}+2^{3/4}\right)^{19}} \\
& + \frac{1718588963631882624114847588418187476488707998378777297207889503201568439034503842307117890651\pi^{20} x^{19}}{52549468980022482195748623482880000\sqrt{2}\left(1+\sqrt[4]{2}\right)^{57}\left(2+\sqrt{2}+2^{3/4}\right)^{19}}
\end{aligned}$$

$$\begin{aligned}
& + \frac{817503289326490598139605117125702303476197003621834747095490211320982704752098982728258629149\pi^{20} x^{19}}{21019787592008992878299449393152000 \cdot 2^{3/4} \left(1 + \sqrt[4]{2}\right)^{57} \left(2 + \sqrt{2} + 2 \cdot 2^{3/4}\right)^{19}} \\
& + \frac{24304518205129604172280048131364291304072568303687714600479815154600245691085496078701655494731\pi^{20} x^{19}}{105098937960044964391497246965760000 \left(1 + \sqrt[4]{2}\right)^{57} \left(2 + \sqrt{2} + 2 \cdot 2^{3/4}\right)^{19}} \\
& + \frac{2391919799414725333014009118808448170871749232592629985564069397170123636646293174801705502867\pi^{20} x^{18}}{6010560177453551885134646476800000 \sqrt[4]{2} \left(1 + \sqrt[4]{2}\right)^{57} \left(2 + \sqrt{2} + 2 \cdot 2^{3/4}\right)^{19}} \\
& + \frac{568897608795978353639907370627389436133720589103407059265410114201800683711851529923528847977\pi^{20} x^{18}}{1202112035490710377026929295360000\sqrt{2} \left(1 + \sqrt[4]{2}\right)^{57} \left(2 + \sqrt{2} + 2 \cdot 2^{3/4}\right)^{19}} \\
& + \frac{338268542044112487012072796866233674716946006205505933787181565512033246140979810950127915331\pi^{20} x^{18}}{6010560177453551885134646476800000 \cdot 2^{3/4} \left(1 + \sqrt[4]{2}\right)^{57} \left(2 + \sqrt{2} + 2 \cdot 2^{3/4}\right)^{19}} \\
& + \frac{4022713569804529786633505019651098909883394543447617629641053774464423845140553167347495259293\pi^{20} x^{18}}{12021120354907103770269292953600000 \left(1 + \sqrt[4]{2}\right)^{57} \left(2 + \sqrt{2} + 2 \cdot 2^{3/4}\right)^{19}} \\
& + \frac{24951805807885238868378806971306266325623890322612035890389755994054930981814582512556736909\pi^{20} x^{17}}{82684954822112353975397253120000 \sqrt[4]{2} \left(1 + \sqrt[4]{2}\right)^{57} \left(2 + \sqrt{2} + 2 \cdot 2^{3/4}\right)^{19}} \\
& + \frac{29672864998903542824017779689604777401299735043116217080834310001156285372476695274722891219\pi^{20} x^{17}}{82684954822112353975397253120000\sqrt{2} \left(1 + \sqrt[4]{2}\right)^{57} \left(2 + \sqrt{2} + 2 \cdot 2^{3/4}\right)^{19}} \\
& + \frac{49402055050896766784457977055059545664138619868998197860578424763877338095291249360128576719\pi^{20} x^{17}}{11575893675095729556556154368000 \cdot 2^{3/4} \left(1 + \sqrt[4]{2}\right)^{57} \left(2 + \sqrt{2} + 2 \cdot 2^{3/4}\right)^{19}} \\
& + \frac{293746376811410781005385381058886060211318099524105769874356682118074099154780231516207659733\pi^{20} x^{17}}{115758936750957295565561543680000 \left(1 + \sqrt[4]{2}\right)^{57} \left(2 + \sqrt{2} + 2 \cdot 2^{3/4}\right)^{19}} \\
& + \frac{2634877550574712223343781435164293817813557166596195557211361719317776056357933203171809598469\pi^{20} x^{16}}{20336515617242769640537876070400000 \sqrt[4]{2} \left(1 + \sqrt[4]{2}\right)^{57} \left(2 + \sqrt{2} + 2 \cdot 2^{3/4}\right)^{19}} \\
& + \frac{689351328669703572877095093153357982284232129296687298797164597664027694690530330109645441429\pi^{20} x^{16}}{44740334357934093209183327354880000\sqrt{2} \left(1 + \sqrt[4]{2}\right)^{57} \left(2 + \sqrt{2} + 2 \cdot 2^{3/4}\right)^{19}} \\
& + \frac{122967225718103406889506430641635860581879999771760555139517808027200696933077474509137976755061\pi^{20} x^{16}}{671105015369011398137749910323200000 \cdot 2^{3/4} \left(1 + \sqrt[4]{2}\right)^{57} \left(2 + \sqrt{2} + 2 \cdot 2^{3/4}\right)^{19}} \\
& + \frac{146233499736113181382100377832179918942071908570567894685759634825375353890009758614801219629483\pi^{20} x^{16}}{1342210030738022796275499820646400000 \left(1 + \sqrt[4]{2}\right)^{57} \left(2 + \sqrt{2} + 2 \cdot 2^{3/4}\right)^{19}} \\
& + \frac{441243116979153180285140857497038944109090362847036427643995321353593889035946828440599677574977\pi^{20} x^{15}}{13871696804604565664121791447040000000 \sqrt[4]{2} \left(1 + \sqrt[4]{2}\right)^{57} \left(2 + \sqrt{2} + 2 \cdot 2^{3/4}\right)^{19}} \\
& + \frac{524729454157590424323135121661018983141882976966309634976792945714780311306883782133862149113247\pi^{20} x^{15}}{13871696804604565664121791447040000000\sqrt{2} \left(1 + \sqrt[4]{2}\right)^{57} \left(2 + \sqrt{2} + 2 \cdot 2^{3/4}\right)^{19}} \\
& + \frac{124802400067142521689735379327293054452368823006042392679343921903871568184350469117108992879837\pi^{20} x^{15}}{2774339360920913132824358289408000000 \cdot 2^{3/4} \left(1 + \sqrt[4]{2}\right)^{57} \left(2 + \sqrt{2} + 2 \cdot 2^{3/4}\right)^{19}} \\
& + \frac{613288851773805657749858298837866392327976428807440944920844315331813495745368504337741955847\pi^{20} x^{15}}{229284244704207696927632916480000000 \left(1 + \sqrt[4]{2}\right)^{57} \left(2 + \sqrt{2} + 2 \cdot 2^{3/4}\right)^{19}} \\
& + \frac{591422056005761445281575787439883488885203352600484218561838460081824032736822591207409025382989\pi^{20} x^{14}}{1374531023371816851029312623607808000000 \sqrt[4]{2} \left(1 + \sqrt[4]{2}\right)^{57} \left(2 + \sqrt{2} + 2 \cdot 2^{3/4}\right)^{19}} \\
& + \frac{15473112973375067709247783379848835412901740896734124622772150576685355503027321158390209274195549\pi^{20} x^{14}}{302396825141799707226448771937177600000\sqrt{2} \left(1 + \sqrt[4]{2}\right)^{57} \left(2 + \sqrt{2} + 2 \cdot 2^{3/4}\right)^{19}} \\
& + \frac{30667893398631484953843562136009622265934590644185030061646012411363306575640561473147232448158549\pi^{20} x^{14}}{5039947085696661787107479619895296000000 \cdot 2^{3/4} \left(1 + \sqrt[4]{2}\right)^{57} \left(2 + \sqrt{2} + 2 \cdot 2^{3/4}\right)^{19}} \\
& + \frac{36470477031797299035584482722356467594266269010047015172424781724451119143853754844652386435622347\pi^{20} x^{14}}{10079894171393323574214959239790592000000 \left(1 + \sqrt[4]{2}\right)^{57} \left(2 + \sqrt{2} + 2 \cdot 2^{3/4}\right)^{19}} \\
& + \frac{1737683659176572418394185179237518137487703674539143526503873974541789342526917703612727703625557\pi^{20} x^{13}}{5940851135383565651068506257489920000000 \sqrt[4]{2} \left(1 + \sqrt[4]{2}\right)^{57} \left(2 + \sqrt{2} + 2 \cdot 2^{3/4}\right)^{19}} \\
& + \frac{2066465771116757112523645138963186784940513507383020754866967740429768101521373348590554855341067\pi^{20} x^{13}}{5940851135383565651068506257489920000000\sqrt{2} \left(1 + \sqrt[4]{2}\right)^{57} \left(2 + \sqrt{2} + 2 \cdot 2^{3/4}\right)^{19}} \\
& + \frac{491491159584335798173735417258212475160687273731317244784641619602571507544417195530975488740893\pi^{20} x^{13}}{1188170227076713130213701251497984000000 \cdot 2^{3/4} \left(1 + \sqrt[4]{2}\right)^{57} \left(2 + \sqrt{2} + 2 \cdot 2^{3/4}\right)^{19}} \\
& + \frac{2922423919693130256428154884195762248734431626719792360200501777749684954251559391997143781074447\pi^{20} x^{13}}{1188170227076713130213701251497984000000 \left(1 + \sqrt[4]{2}\right)^{57} \left(2 + \sqrt{2} + 2 \cdot 2^{3/4}\right)^{19}} \\
& + \frac{20720690425054004758250476649843463466057828731361614258487031326037594493510541319152604989749\pi^{20} x^{12}}{2506311727972429982426289007241461760000 \sqrt[4]{2} \left(1 + \sqrt[4]{2}\right)^{57} \left(2 + \sqrt{2} + 2 \cdot 2^{3/4}\right)^{19}} \\
& + \frac{259380973486769932964031439039356713228869044252573119798790009315501977771714271713241163701\pi^{20} x^{12}}{26382228715499262972908305339383808000\sqrt{2} \left(1 + \sqrt[4]{2}\right)^{57} \left(2 + \sqrt{2} + 2 \cdot 2^{3/4}\right)^{19}} \\
& + \frac{29303481420846460575737231456480755434610699742555590471206276487913700786089077932966822852057\pi^{20} x^{12}}{2506311727972429982426289007241461760000 \cdot 2^{3/4} \left(1 + \sqrt[4]{2}\right)^{57} \left(2 + \sqrt{2} + 2 \cdot 2^{3/4}\right)^{19}}
\end{aligned}$$

$$\begin{aligned}
& + \frac{34847908600020424282790571625793937981948548203835754112492854912752293236193238427439666403271\pi^{20} x^{12}}{5012623455944859964852578014482923520000 \left(1 + \sqrt[4]{2}\right)^{57} (2 + \sqrt{2} + 2^{3/4})^{19}} \\
& + \frac{14811473699709764415382438105197578238516935961800270948777013152896891267358591184701024607\pi^{20} x^{11}}{240816004718786213544930637250560000000 \sqrt[4]{2} \left(1 + \sqrt[4]{2}\right)^{57} (2 + \sqrt{2} + 2^{3/4})^{19}} \\
& + \frac{17613909907370645896450778876733935011127939004909833036105661314832332410948133082485438337\pi^{20} x^{11}}{240816004718786213544930637250560000000 \sqrt{2} \left(1 + \sqrt[4]{2}\right)^{57} (2 + \sqrt{2} + 2^{3/4})^{19}} \\
& + \frac{523664674621562295417358838551960936709237232506512333826180277279282061535773396574410707\pi^{20} x^{11}}{60204001179696553386232659312640000000 2^{3/4} \left(1 + \sqrt[4]{2}\right)^{57} (2 + \sqrt{2} + 2^{3/4})^{19}} \\
& + \frac{3113728784677712912406338535037914769772199247139034428757859125325355142722073786017351889\pi^{20} x^{11}}{60204001179696553386232659312640000000 \left(1 + \sqrt[4]{2}\right)^{57} (2 + \sqrt{2} + 2^{3/4})^{19}} \\
f_{21} = & \frac{2009910919061446273246039297458929666718742404689424531189520950601716016926607914699641823092690143\pi^{21} x^{21}}{2918747648490391582529580687163392000 \sqrt[4]{2} \left(1 + \sqrt[4]{2}\right)^{60} (2 + \sqrt{2} + 2^{3/4})^{20}} \\
& + \frac{4345818846308252439686372872569958675270638791247126168070201866637798970394165667395401862222316651\pi^{21} x^{21}}{5306813906346166513690146703933440000 \sqrt{2} \left(1 + \sqrt[4]{2}\right)^{60} (2 + \sqrt{2} + 2^{3/4})^{20}} \\
& + \frac{21318324606738599913151416611662282687036670758026885685826818949786727006230522426547188877413649953\pi^{21} x^{21}}{21890607363677936868971855153725440000 2^{3/4} \left(1 + \sqrt[4]{2}\right)^{60} (2 + \sqrt{2} + 2^{3/4})^{20}} \\
& + \frac{170719887557380714910345271720005975452868920457527060818497042269949574729062398083202026212451707\pi^{21} x^{21}}{294822994797009250760563705774080000 \left(1 + \sqrt[4]{2}\right)^{60} (2 + \sqrt{2} + 2^{3/4})^{20}} \\
& + \frac{1474951911080065076875830149638571284344499684920623322833325858304389130415524918137762838530704361\pi^{21} x^{20}}{5675342649842428077140851336151040000 \sqrt[4]{2} \left(1 + \sqrt[4]{2}\right)^{60} (2 + \sqrt{2} + 2^{3/4})^{20}} \\
& + \frac{2126088856900946131179985001314597123729107765133605729162398187512176540581270634555268188040581171\pi^{21} x^{20}}{687920321193021585107981980139520000 \sqrt{2} \left(1 + \sqrt[4]{2}\right)^{60} (2 + \sqrt{2} + 2^{3/4})^{20}} \\
& + \frac{94813499840797769618947958084843163291908330761955172180660300497928006360191574753917887754000907\pi^{21} x^{20}}{257970120447383094415493242552320000 2^{3/4} \left(1 + \sqrt[4]{2}\right)^{60} (2 + \sqrt{2} + 2^{3/4})^{20}} \\
& + \frac{150337184811980888841916070555611892840200606068464514512574485466862599134500324080390694524868447\pi^{21} x^{20}}{68792032119302158510798198013952000 \left(1 + \sqrt[4]{2}\right)^{60} (2 + \sqrt{2} + 2^{3/4})^{20}} \\
& + \frac{1021204671347172848021997368311187482316820971096425207955763004628067274695574148941530157549982527\pi^{21} x^{19}}{253886061895638031628087467180032000 \sqrt[4]{2} \left(1 + \sqrt[4]{2}\right)^{60} (2 + \sqrt{2} + 2^{3/4})^{20}} \\
& + \frac{736014461236410774153463851580106724751522064091772125967103894521979746245579898896091215883405849\pi^{21} x^{19}}{153870340542810928259446949806080000 \sqrt{2} \left(1 + \sqrt[4]{2}\right)^{60} (2 + \sqrt{2} + 2^{3/4})^{20}} \\
& + \frac{515786248634977291603174725010511343350627909530470896604131733584560690123374965927985196958480381\pi^{21} x^{19}}{9067359534156439867174095421440000 2^{3/4} \left(1 + \sqrt[4]{2}\right)^{60} (2 + \sqrt{2} + 2^{3/4})^{20}} \\
& + \frac{26022040829581375800009890555363237290399423332608261365984700618455938741576902480349941156910097\pi^{21} x^{19}}{76935170271405464129723474903040000 \left(1 + \sqrt[4]{2}\right)^{60} (2 + \sqrt{2} + 2^{3/4})^{20}} \\
& + \frac{586716608114824817822859356474069922664415181825396765872042385663363882705194317512072161579053\pi^{21} x^{18}}{177182046047383615661565542400000 \sqrt[4]{2} \left(1 + \sqrt[4]{2}\right)^{60} (2 + \sqrt{2} + 2^{3/4})^{20}} \\
& + \frac{84573038164898842164526328254122423766093716745613433614434511123785082827583117335618004486623\pi^{21} x^{18}}{21476611642107104928674611200000 \sqrt{2} \left(1 + \sqrt[4]{2}\right)^{60} (2 + \sqrt{2} + 2^{3/4})^{20}} \\
& + \frac{31913176325597255783611009367671956217416505066539437212804358766127497505738939457751712110257\pi^{21} x^{18}}{6814694078745523679290982400000 2^{3/4} \left(1 + \sqrt[4]{2}\right)^{60} (2 + \sqrt{2} + 2^{3/4})^{20}} \\
& + \frac{1196043375838968887962918357461959608980549616071070951361087746531101473866194925055425630271\pi^{21} x^{18}}{429532232842142098573492224000 \left(1 + \sqrt[4]{2}\right)^{60} (2 + \sqrt{2} + 2^{3/4})^{20}} \\
& + \frac{23249637592085566439161322908492813678432023621229026565959774882787972255692511263859745757701284949\pi^{21} x^{17}}{14764310338118250759030498027110400000 \sqrt[4]{2} \left(1 + \sqrt[4]{2}\right)^{60} (2 + \sqrt{2} + 2^{3/4})^{20}} \\
& + \frac{88193411310184969262270998219316395234227797475021088479123007487685904250665600019517535880730913\pi^{21} x^{17}}{470950887978253612728245551104000000 \sqrt{2} \left(1 + \sqrt[4]{2}\right)^{60} (2 + \sqrt{2} + 2^{3/4})^{20}} \\
& + \frac{82199882007467196435795187023333581168356734700930816952089975372131945036632247373525514367507368761\pi^{21} x^{17}}{36910775845295626897576245067776000000 2^{3/4} \left(1 + \sqrt[4]{2}\right)^{60} (2 + \sqrt{2} + 2^{3/4})^{20}} \\
& + \frac{5924405123373562926493095701463400668030042647242932582721460714444841869285408351088527691671644571\pi^{21} x^{17}}{4474033435793409320918332735488000000 \left(1 + \sqrt[4]{2}\right)^{60} (2 + \sqrt{2} + 2^{3/4})^{20}} \\
& + \frac{21913228490627480616996544918243859664889482145891952585561090225848554214634873301471271798266799\pi^{21} x^{16}}{49766560235998230724927815680000000 \sqrt[4]{2} \left(1 + \sqrt[4]{2}\right)^{60} (2 + \sqrt{2} + 2^{3/4})^{20}} \\
& + \frac{123189736014018265469920545468146437222199728907161529304806921046951881279008863915922584317167731\pi^{21} x^{16}}{235260102933809817972386037760000000 \sqrt{2} \left(1 + \sqrt[4]{2}\right)^{60} (2 + \sqrt{2} + 2^{3/4})^{20}} \\
& + \frac{201434902024369032497629593652609660661185422733099465830231028482267091164984622651102541357776019\pi^{21} x^{16}}{323482641533988499712030801920000000 2^{3/4} \left(1 + \sqrt[4]{2}\right)^{60} (2 + \sqrt{2} + 2^{3/4})^{20}} \\
& + \frac{8710829770809265517733280671836829250910807697698471618894768486288181674764914220471143440731743\pi^{21} x^{16}}{23526010293380981797238603776000000 \left(1 + \sqrt[4]{2}\right)^{60} (2 + \sqrt{2} + 2^{3/4})^{20}}
\end{aligned}$$

$$\begin{aligned}
& + \frac{228159724035859598124526627669008164565250075887734336805364312295659025553628682661561932308537000999\pi^{21} x^{15}}{322809797639597803632629778520064000000 \sqrt[4]{2} (1 + \sqrt[4]{2})^{60} (2 + \sqrt{2} + 2^{3/4})^{20}} \\
& + \frac{2884945956198857796637422202560375360335358100214205978248627771545568964101957996860795062803303737\pi^{21} x^{15}}{3432321080697477975891863666688000000 \sqrt{2} (1 + \sqrt[4]{2})^{60} (2 + \sqrt{2} + 2^{3/4})^{20}} \\
& + \frac{12804229211064145968755561073106589810165778062424830849255882534953418677465051460415802079940171949\pi^{21} x^{15}}{128099126047459445885964197560320000000 \ 2^{3/4} (1 + \sqrt[4]{2})^{60} (2 + \sqrt{2} + 2^{3/4})^{20}} \\
& + \frac{58138998196070036445336918582573738201259596137600906570257808069924503410181209668161515064049650297\pi^{21} x^{15}}{978211507998781223129181145006080000000 (1 + \sqrt[4]{2})^{60} (2 + \sqrt{2} + 2^{3/4})^{20}} \\
& + \frac{22329970800285598178756276343629034728860513816968915653023063568982364665977286971727652503010333946017\pi^{21} x^{14}}{3667881490985813432969695763374276608000000 \sqrt[4]{2} (1 + \sqrt[4]{2})^{60} (2 + \sqrt{2} + 2^{3/4})^{20}} \\
& + \frac{3218783048909422483839301225571290056722832489556450736753109159856041172206909229042925938086531214267\pi^{21} x^{14}}{444591695877068294905417668287791104000000 \sqrt{2} (1 + \sqrt[4]{2})^{60} (2 + \sqrt{2} + 2^{3/4})^{20}} \\
& + \frac{1435424888779963868985024892547720462492839206973994151086422973025252966942926870506798728938383885219\pi^{21} x^{14}}{16672188593900610589531625607921664000000 \ 2^{3/4} (1 + \sqrt[4]{2})^{60} (2 + \sqrt{2} + 2^{3/4})^{20}} \\
& + \frac{227602332105215515871042936925879398947408491510261655752352563461397304184579049486175618570443448687\pi^{21} x^{14}}{444591695877068294905417668287791104000000 (1 + \sqrt[4]{2})^{60} (2 + \sqrt{2} + 2^{3/4})^{20}} \\
& + \frac{67781481615097353119201711814611226465615494639118965494460371564827949928079142306238951194615815243\pi^{21} x^{13}}{275694290076967298066891790796560793600000 \sqrt[4]{2} (1 + \sqrt[4]{2})^{60} (2 + \sqrt{2} + 2^{3/4})^{20}} \\
& + \frac{31860166087786638500500124611161443699638452271314683102554485604791639994163178664364913656745420603\pi^{21} x^{13}}{108970075129236086192447348140933120000000 \sqrt{2} (1 + \sqrt[4]{2})^{60} (2 + \sqrt{2} + 2^{3/4})^{20}} \\
& + \frac{85587045158762171017006492624689004133681074038449029930917846147116812647758930348208763245512831961\pi^{21} x^{13}}{24615561614014937327401052749692928000000 \ 2^{3/4} (1 + \sqrt[4]{2})^{60} (2 + \sqrt{2} + 2^{3/4})^{20}} \\
& + \frac{518156408279281140939957785199887077139395345738872932585819471052189227531199665506796567718959994999\pi^{21} x^{13}}{2506311727972429982426289007241461760000000 (1 + \sqrt[4]{2})^{60} (2 + \sqrt{2} + 2^{3/4})^{20}} \\
& + \frac{3255363754571953066005773537583586735805104784969701145192088400949607219155137621171120950733606533\pi^{21} x^{12}}{929997807990735781890027479577395200000000 \sqrt[4]{2} (1 + \sqrt[4]{2})^{60} (2 + \sqrt{2} + 2^{3/4})^{20}} \\
& + \frac{30970413910871620274888523348460303619675649890659142034284335915150208547818501987108980326525692193\pi^{21} x^{12}}{7439982463925886255120219836619161600000000 \sqrt{2} (1 + \sqrt[4]{2})^{60} (2 + \sqrt{2} + 2^{3/4})^{20}} \\
& + \frac{708273780334380416763941882253632498655997926138599667646651787187323025552204324314589478067283063\pi^{21} x^{12}}{143076585844728581829234996858060800000000 \ 2^{3/4} (1 + \sqrt[4]{2})^{60} (2 + \sqrt{2} + 2^{3/4})^{20}} \\
& + \frac{8759755877012571201636971749164425637426467100590869065398829114715448218293332436756864674294701683\pi^{21} x^{12}}{2975992985570354502048087934647664640000000 (1 + \sqrt[4]{2})^{60} (2 + \sqrt{2} + 2^{3/4})^{20}} \\
& + \frac{3768466329285765321554964335773178200763408273648223727202932852186316824889405659664627761991\pi^{21} x^{11}}{515265661292030908005722619904000000000 \sqrt[4]{2} (1 + \sqrt[4]{2})^{60} (2 + \sqrt{2} + 2^{3/4})^{20}} \\
& + \frac{89629739428696711345230079291644222059478538194459362518033221432791625925313372068140588924087\pi^{21} x^{11}}{10305313225840618160114452398080000000000 \sqrt{2} (1 + \sqrt[4]{2})^{60} (2 + \sqrt{2} + 2^{3/4})^{20}} \\
& + \frac{53294161922223029916383750594999675982067059516007931840370952815835956475073771084740971270891\pi^{21} x^{11}}{5152656612920309080057226199040000000000 \ 2^{3/4} (1 + \sqrt[4]{2})^{60} (2 + \sqrt{2} + 2^{3/4})^{20}} \\
& + \frac{25351118618405795927093333584974481091983177647313158281152800266716882404967275294093135231617\pi^{21} x^{11}}{41221252903362472640457809592320000000000 (1 + \sqrt[4]{2})^{60} (2 + \sqrt{2} + 2^{3/4})^{20}} \\
f_{22} = & \frac{284533155909578186595675834880930501868981372083870084677437875861968938021272061181362598546557206618063\pi^{22} x^{22}}{42029966138261638788425961895152844800 \sqrt[4]{2} (1 + \sqrt[4]{2})^{63} (2 + \sqrt{2} + 2^{3/4})^{21}} \\
& + \frac{169184426730924495330745415033946952269662444352474297955966820822565517671105044271587691297912368753671\pi^{22} x^{22}}{210149830691308193942129809475764224000 \sqrt{2} (1 + \sqrt[4]{2})^{63} (2 + \sqrt{2} + 2^{3/4})^{21}} \\
& + \frac{40239064803214367896292590467227739051035665329928298382229662500941575702550816175487138753587640429382141\pi^{22} x^{22}}{4202996613826163878842596189515284480000 \ 2^{3/4} (1 + \sqrt[4]{2})^{63} (2 + \sqrt{2} + 2^{3/4})^{21}} \\
& + \frac{6836083166434011846265486733985170326842305756405848023940740679729694983245030091869720672454389618490243\pi^{22} x^{22}}{1200856175378903965383598911290081280000 (1 + \sqrt[4]{2})^{63} (2 + \sqrt{2} + 2^{3/4})^{21}} \\
& + \frac{611470427510261701699778117648643640917385698247259813198885734441107020845208862219096105036176202675061\pi^{22} x^{21}}{22701370599369712308563405344604160000 \sqrt[4]{2} (1 + \sqrt[4]{2})^{63} (2 + \sqrt{2} + 2^{3/4})^{21}} \\
& + \frac{9443701078038428268455064470171596793606137759036782674598893281319922368218073092532308629245046677213\pi^{22} x^{21}}{2948229947970092507605637057740800000 \sqrt{2} (1 + \sqrt[4]{2})^{63} (2 + \sqrt{2} + 2^{3/4})^{21}} \\
& + \frac{1152999695433448346059951955317468118934353704514725578382420729127922656467289483523425926259885527184717\pi^{22} x^{21}}{30268494132492949744751207126138880000 \ 2^{3/4} (1 + \sqrt[4]{2})^{63} (2 + \sqrt{2} + 2^{3/4})^{21}} \\
& + \frac{1371155441405426843743313423461408391342529586996181862844619457547478546267473767307140022959140502477157\pi^{22} x^{21}}{6053698826498589948950241425227760000 (1 + \sqrt[4]{2})^{63} (2 + \sqrt{2} + 2^{3/4})^{21}} \\
& + \frac{884541733069993559805086715409344335845178221492520287384485874619050654168662953138398115944144608000857\pi^{22} x^{20}}{19920291010273137866203785886433280000 \sqrt[4]{2} (1 + \sqrt[4]{2})^{63} (2 + \sqrt{2} + 2^{3/4})^{21}}
\end{aligned}$$

$$\begin{aligned}
& + \frac{13674743192287766230612554825305145277512548881393024245637972586994326674701955769986562858330795565637577\pi^{22} x^{20}}{258963783133550792260649216523632640000\sqrt{2}\left(1+\sqrt[4]{2}\right)^{63}\left(2+\sqrt{2}+2^{3/4}\right)^{21}} \\
& + \frac{325242038002072493503702401214769290628899963909957310115469914778434971400341647370692586331463166297121011\pi^{22} x^{20}}{5179275662671015845212984330472652800000^{2^{3/4}}\left(1+\sqrt[4]{2}\right)^{63}\left(2+\sqrt{2}+2^{3/4}\right)^{21}} \\
& + \frac{7893472361021426672051683793359883622518355249198151413144224833372449048489633819958086010379209834546379\pi^{22} x^{20}}{211399006639633299804611605325414400000\left(1+\sqrt[4]{2}\right)^{63}\left(2+\sqrt{2}+2^{3/4}\right)^{21}} \\
& + \frac{22421035622950840035829698762317071302343466423548421403530146919580162555937165425120701511793084918081\pi^{22} x^{19}}{568271144050153996412730212352000000\sqrt[4]{2}\left(1+\sqrt[4]{2}\right)^{63}\left(2+\sqrt{2}+2^{3/4}\right)^{21}} \\
& + \frac{5985628693346300600894119600971740572506437654007040528240211361687705824404734995002729542017264198519\pi^{22} x^{19}}{127571073154116203276327190528000000\sqrt{2}\left(1+\sqrt[4]{2}\right)^{63}\left(2+\sqrt{2}+2^{3/4}\right)^{21}} \\
& + \frac{465052612352934642741334786305798760494898781332878358856878668606523304519831622902856902907085527613427\pi^{22} x^{19}}{8334643446068925280720043114496000000^{2^{3/4}}\left(1+\sqrt[4]{2}\right)^{63}\left(2+\sqrt{2}+2^{3/4}\right)^{21}} \\
& + \frac{61449319495634675042223820309716081769473583759527119347537480653235088005760967565846925334502731674563\pi^{22} x^{19}}{185214298801531672904889846988800000\left(1+\sqrt[4]{2}\right)^{63}\left(2+\sqrt{2}+2^{3/4}\right)^{21}} \\
& + \frac{37967359884825640577576293717618429702492948755685890813078298654288082115464851754675255774202407260069993\pi^{22} x^{18}}{1842585930197157694727006153783377920000\sqrt[4]{2}\left(1+\sqrt[4]{2}\right)^{63}\left(2+\sqrt{2}+2^{3/4}\right)^{21}} \\
& + \frac{45151054512903554812034913070736991843197102373801091740841501166869765845825853773413560257230167506350077\pi^{22} x^{18}}{1842585930197157694727006153783377920000\sqrt{2}\left(1+\sqrt[4]{2}\right)^{63}\left(2+\sqrt{2}+2^{3/4}\right)^{21}} \\
& + \frac{357959701844137285971139806342418793789531231932571648064628812397125133624443278083181013939771214829710373\pi^{22} x^{18}}{1228390620131438463151337435855582800000^{2^{3/4}}\left(1+\sqrt[4]{2}\right)^{63}\left(2+\sqrt{2}+2^{3/4}\right)^{21}} \\
& + \frac{2252318647181484719987070015411167828941975693956795637014162424335032883500341058800257920217212107555777\pi^{22} x^{18}}{129988425410734228904903432365670400000\left(1+\sqrt[4]{2}\right)^{63}\left(2+\sqrt{2}+2^{3/4}\right)^{21}} \\
& + \frac{7778292256627191744491569187522417301102364645953961473948698848243701055360408739214950759562569295487489\pi^{22} x^{17}}{1200532305271231501113085950689280000000\sqrt[4]{2}\left(1+\sqrt[4]{2}\right)^{63}\left(2+\sqrt{2}+2^{3/4}\right)^{21}} \\
& + \frac{9935553699410987955287142074179849487141659210272830796588892289164262378150931911015525233652095836679\pi^{22} x^{17}}{1289508383749980130089243770880000000\sqrt{2}\left(1+\sqrt[4]{2}\right)^{63}\left(2+\sqrt{2}+2^{3/4}\right)^{21}} \\
& + \frac{1629654281692414396151796674657920293739539541118000895104279217271470857566570203964265445506729307977137\pi^{22} x^{17}}{177856637817960222387123844546560000000^{2^{3/4}}\left(1+\sqrt[4]{2}\right)^{63}\left(2+\sqrt{2}+2^{3/4}\right)^{21}} \\
& + \frac{17441968201049406389471107370220317216947011674732765408513715614717042182392603667117216413519709259959793\pi^{22} x^{17}}{320141948072328400296822920183808000000\left(1+\sqrt[4]{2}\right)^{63}\left(2+\sqrt{2}+2^{3/4}\right)^{21}} \\
& + \frac{1827404248907009898423365792514232495422575478069283881579143639172663431586590107747229410187116831736725237\pi^{22} x^{16}}{1510749852953317721000707360347389952000000\sqrt[4]{2}\left(1+\sqrt[4]{2}\right)^{63}\left(2+\sqrt{2}+2^{3/4}\right)^{21}} \\
& + \frac{2173162134786420152477356678885740254712140089778798861304446075120886866259861571132650860274649534662146041\pi^{22} x^{16}}{1510749852953317721000707360347389952000000\sqrt{2}\left(1+\sqrt[4]{2}\right)^{63}\left(2+\sqrt{2}+2^{3/4}\right)^{21}} \\
& + \frac{51686797454850231797086189058964530363713705489892267514235899819722725971230307597512241864781423172145332099\pi^{22} x^{16}}{30214997059066354420014147206947799040000000^{2^{3/4}}\left(1+\sqrt[4]{2}\right)^{63}\left(2+\sqrt{2}+2^{3/4}\right)^{21}} \\
& + \frac{8780901040716059350971515041565434137051640385576919837981672261979018036764093612065764401220626945921678077\pi^{22} x^{16}}{8632856302590386977146899201985085440000000\left(1+\sqrt[4]{2}\right)^{63}\left(2+\sqrt{2}+2^{3/4}\right)^{21}} \\
& + \frac{72785226368589037010791400867260767082331416783295479140835890291820893693319738075780086263642224072160471121\pi^{22} x^{15}}{570559343042237645128619340969331916800000000\sqrt[4]{2}\left(1+\sqrt[4]{2}\right)^{63}\left(2+\sqrt{2}+2^{3/4}\right)^{21}} \\
& + \frac{38762520852937648658103406710532075320961919122607436462659517833892811417331458929857333048072904115408317\pi^{22} x^{15}}{25551246889486836152538889820569600000000\sqrt{2}\left(1+\sqrt[4]{2}\right)^{63}\left(2+\sqrt{2}+2^{3/4}\right)^{21}} \\
& + \frac{411735417083417584725644308501670964011757514481860834764177033489090245107206719386395361512570600022835032911\pi^{22} x^{15}}{2282237372168950580514477363877327667200000000^{2^{3/4}}\left(1+\sqrt[4]{2}\right)^{63}\left(2+\sqrt{2}+2^{3/4}\right)^{21}} \\
& + \frac{489638687494212982871413603088282101759697873693545261294650088465234229546268884670772967258819667067425145431\pi^{22} x^{15}}{456447474433790116102895472775465533440000000\left(1+\sqrt[4]{2}\right)^{63}\left(2+\sqrt{2}+2^{3/4}\right)^{21}} \\
& + \frac{4621614965851226030864392700319072826081757700980885150045262821131273992193684670372968553095572066396391\pi^{22} x^{14}}{671722948325364109456401857144422400000000\sqrt[4]{2}\left(1+\sqrt[4]{2}\right)^{63}\left(2+\sqrt{2}+2^{3/4}\right)^{21}} \\
& + \frac{14289749240502676362925810879429973944458400893730238101680736082702125691894693188544477546480692655201459\pi^{22} x^{14}}{1746479665645946684586644828575498240000000\sqrt{2}\left(1+\sqrt[4]{2}\right)^{63}\left(2+\sqrt{2}+2^{3/4}\right)^{21}} \\
& + \frac{1699347146841050187896342744121341411294290710921169182545598251490769702535304388115993484011224273901220127\pi^{22} x^{14}}{174647966564594668458664482857549824000000000^{2^{3/4}}\left(1+\sqrt[4]{2}\right)^{63}\left(2+\sqrt{2}+2^{3/4}\right)^{21}} \\
& + \frac{15194554269796618134104861536471769530463158178966049036920917428018753642447183198524109155097191182400059\pi^{22} x^{14}}{26262852114976641873483308808345600000000\left(1+\sqrt[4]{2}\right)^{63}\left(2+\sqrt{2}+2^{3/4}\right)^{21}} \\
& + \frac{17126122084097187958385950738031789812019187455481885796342689246063326825195634183751419259554021382177971\pi^{22} x^{13}}{109594176468612620140640455680285736960000000\sqrt[4]{2}\left(1+\sqrt[4]{2}\right)^{63}\left(2+\sqrt{2}+2^{3/4}\right)^{21}} \\
& + \frac{786351592077455774239878155633591183361370677145765966608023946886338112455345918990126659129009837329\pi^{22} x^{13}}{423143538488851815214828014209597440000000\sqrt{2}\left(1+\sqrt[4]{2}\right)^{63}\left(2+\sqrt{2}+2^{3/4}\right)^{21}}
\end{aligned}$$

$$\begin{aligned}
f_{12}^{\text{str}} &= \frac{384686971686821173636859\pi^{25}}{1379922164796026467123200000} \\
f_{13}^{\text{str}} &= \frac{881199468598436194712717905751087\pi^{27}}{620843265023276900671039733760000000} \\
f_{14}^{\text{str}} &= \frac{1447434721282750731658410740861765453\pi^{29}}{171702126045913385930688048188620800000} \\
f_{15}^{\text{str}} &= \frac{508018836151878974457835793407484146577003\pi^{31}}{8794716689936134988449787818908057600000000} \\
f_{16}^{\text{str}} &= \frac{72678559179604992217531396041122431514131\pi^{33}}{160678560978763988716314462573821952000000} \\
f_{17}^{\text{str}} &= \frac{751206915720140972667531261896643197468914388823059053\pi^{35}}{187151384010269790713258930574878679364534272000000000} \\
f_{18}^{\text{str}} &= \frac{49749320574462097532199418897223495058666165521\pi^{37}}{1241580715009169630793819594729581445120000000} \\
f_{19}^{\text{str}} &= \frac{5174688114725611314673372390923883809987690422342818643829469\pi^{39}}{11575580460155201226744655225957067573952679772160000000000} \\
f_{20}^{\text{str}} &= \frac{99543806700535067735654955127961324343518518822379020203907\pi^{41}}{17964046147634344766617013341093517460764287303680000000} \\
f_{21}^{\text{str}} &= \frac{53093901019170860239190376008530502276018558922173048903954189569993\pi^{43}}{69938394349662072517311925640117043328995841800142848000000000} \\
f_{22}^{\text{str}} &= \frac{4465190825932193568783900271439061866282520130101845917474752754588163\pi^{45}}{3903128622596433264444406476803173644495564040732409856000000000}
\end{aligned}$$

IV. THE COEFFICIENTS f_p^{cyl} FOR INFINITELY LONG CYLINDER UP TO 22-ND ORDER.

$$\begin{aligned}
f_0^{\text{cyl}} &= -\frac{\pi}{12} \\
f_1^{\text{cyl}} &= -\frac{7\pi^3}{1440} \\
f_2^{\text{cyl}} &= -\frac{31\pi^5}{24192} \\
f_3^{\text{cyl}} &= -\frac{10033\pi^7}{9676800} \\
f_4^{\text{cyl}} &= -\frac{35989\pi^9}{21897216} \\
f_5^{\text{cyl}} &= -\frac{180686706457\pi^{11}}{41845579776000} \\
f_6^{\text{cyl}} &= -\frac{1248808051\pi^{13}}{73574645760} \\
f_7^{\text{cyl}} &= -\frac{18201691489278203\pi^{15}}{195119960555520000} \\
f_8^{\text{cyl}} &= -\frac{10510145076561543761\pi^{17}}{15387389642303078400}
\end{aligned}$$

$$\begin{aligned}
f_9^{\text{cyl}} &= -\frac{2641801043421964301500517\pi^{19}}{411063123301525094400000} \\
f_{10}^{\text{cyl}} &= -\frac{890644111024794636680297\pi^{21}}{11787368522724252057600} \\
f_{11}^{\text{cyl}} &= -\frac{3765413304447846570644621549257363\pi^{23}}{3468951832026611035039334400000} \\
f_{12}^{\text{cyl}} &= -\frac{12907952448064394680137004372229\pi^{25}}{689961082398013233561600000} \\
f_{13}^{\text{cyl}} &= -\frac{16896084244127140258410059328873017845607\pi^{27}}{4434594750166263576221712384000000} \\
f_{14}^{\text{cyl}} &= -\frac{777085597428101473891367515258640943820437683\pi^{29}}{85851063022956692965344024094310400000} \\
f_{15}^{\text{cyl}} &= -\frac{1090962143004132505971333057353842612185864968769941\pi^{31}}{4397358344968067494224893909454028800000000} \\
f_{16}^{\text{cyl}} &= -\frac{3877665028080307480532041835292907036827716659661\pi^{33}}{499001742170074499118989014204416000000} \\
f_{17}^{\text{cyl}} &= -\frac{832621712375002039135912007566516660018781129531678003795831821\pi^{35}}{301857070984306114053643436411094644136345600000000} \\
f_{18}^{\text{cyl}} &= -\frac{6837494555647359213581019858108738068456017538362703473391\pi^{37}}{620790357504584815396909797364790722560000000} \\
f_{19}^{\text{cyl}} &= -\frac{406402125160337725425982272048484982260972172512353004695443900075719429\pi^{39}}{82682717572537151619604680185407625528233426944000000000} \\
f_{20}^{\text{cyl}} &= -\frac{218899145880550072385700261304714333247501521126845383723637174989637757\pi^{41}}{8982023073817172383308506670546758730382143651840000000} \\
f_{21}^{\text{cyl}} &= -\frac{467018892276477929486648085407703771378007778048958038237426016207399125129834551\pi^{43}}{34969197174831036258655962820058521664497920900071424000000000} \\
f_{22}^{\text{cyl}} &= -\frac{723985877729183924232640652856477295145169354832876913936359798251863574799341509\pi^{45}}{899338392303325636968757252719625263708655308924518400000000}
\end{aligned}$$