

# Characterizing the Degree-Kirchhoff, Gutman, and Schultz Indices in Pentagonal Cylinders and Möbius Chains

Md. Abdus Sahir\* and Sk. Md. Abu Nayeem<sup>†</sup>

Department of Mathematics and Statistics,  
Aliah University, New Town, Kolkata – 700160, India.

## Abstract

The degree-Kirchhoff index of a connected graph is defined as the sum of the reciprocals of the non-zero eigenvalues of the normalized Laplacian matrix, each multiplied by the graph's total degree. Several studies have recently obtained explicit formulations for the degree-Kirchhoff index of various kinds of class graphs. This paper presents closed-form formulas for the degree-Kirchhoff index of pentagonal cylinders and Möbius chains. Additionally, we calculate the Gutman index and Schultz index for these graphs.

MSC (2020): Primary: 05C09, 05C12; Secondary: 05C50.

*Keywords.* Pentagonal chain, Cylinder chain, Möbius chain, Degree-Kirchhoff index, Kemeny's constant, Schultz index, Gutman index.

## 1 Introduction

Consider  $G = (V, E)$ , a connected, undirected graph with no self-loops or multiple edges. The vertices of  $G$  are represented by  $\{v_1, v_2, \dots, v_{|V|}\}$ , and its edges are represented by  $E = \{e_1, e_2, \dots, e_{|E|}\}$ . The number of edges incident to a vertex  $v_i$  in  $G$  is its degree, denoted by  $d_i$ . The Laplacian matrix  $L(G) = (l_{ij})$  and the normalized Laplacian matrix  $\mathcal{L}(G) = (\ell_{ij})$  of the graph are defined as follows:

$$l_{ij} = \begin{cases} -1 & \text{if } v_i \sim v_j \\ d_i & \text{if } i = j \\ 0 & \text{otherwise,} \end{cases}$$

---

\*The first author expresses gratitude to the University Grants Commission, India, for supporting this research through a Senior Research Fellowship. Email: [abdussahir@gmail.com](mailto:abdussahir@gmail.com)

<sup>†</sup>Corresponding author. Email: [nayeem.math@aliah.ac.in](mailto:nayeem.math@aliah.ac.in)

$$\ell_{ij} = \begin{cases} -\frac{1}{\sqrt{d_i d_j}} & \text{if } v_i \sim v_j \\ 1 & \text{if } i = j \\ 0 & \text{otherwise.} \end{cases}$$

The topological index is a numerical measure that characterizes the topological structure of a graph  $G$ . A topological index often includes a variety of graph parameters, including the order, size, distance between vertices pairs, degree of vertices, eccentricity, etc. The Wiener index [22], a royal member of the family of old topological indices, was first presented by H. Wiener in

1947 as  $Wn(G) = \frac{1}{2} \sum_{i=1}^{|V|} \sum_{j=1}^{|V|} d_{ij}$ , where  $d_{ij}$  represents the distance between the vertex pair  $v_i$  and

$v_j$ . The Schultz index [20], introduced by H. P. Schultz in 1989 as  $Sc(G) = \frac{1}{2} \sum_{i=1}^{|V|} \sum_{j=1}^{|V|} (d_i + d_j) d_{ij}$ ,

is a weighted version of the Wiener index. In 1994, another weighted variation of the Wiener index was presented by Gutman as  $Gut(G) = \frac{1}{2} \sum_{i=1}^{|V|} \sum_{j=1}^{|V|} d_i d_j d_{ij}$  which later came to be known as the Gutman index [4].

Being motivated by the success of the Wiener index, nearly after four decades, in 1993, Klein and Randić put forward a novel structure-descriptor topological index, known as the Kirchhoff

index [11]. The Kirchhoff index of a graph  $G$  is calculated using the formula  $Kf(G) = \frac{1}{2} \sum_{i=1}^{|V|} \sum_{j=1}^{|V|} r_{ij}$ ,

where  $r_{ij}$  represents the effective resistance between vertices  $v_i$  and  $v_j$ . This effective resistance is determined by treating the edges as unit resistors and applying Ohm's law. In 2007,

Chen and Zhang introduced the notion of the degree-Kirchhoff index [2], defined as  $Kf^*(G) =$

$\frac{1}{2} \sum_{i=1}^{|V|} \sum_{j=1}^{|V|} d_i d_j r_{ij}$ . For a connected graph, all eigenvalues of the Laplacian matrix and normalized

Laplacian matrix are positive except the smallest one. Let  $\{0 = \lambda_1 < \lambda_2 \leq \dots \leq \lambda_{|V|}\}$ , and  $\{0 = \tilde{\lambda}_1 < \tilde{\lambda}_2 \leq \dots \leq \tilde{\lambda}_{|V|}\}$  denote the spectra of the Laplacian and normalized Laplacian matrices of  $G$ , respectively, where ( $|V| \geq 2$ ). Researchers have established a clear connection between the Kirchhoff index and the Laplacian spectrum, as well as between the degree-Kirchhoff index and the normalized Laplacian spectrum.

The Kirchhoff index can be interpreted alternatively as the following theorem, as demonstrated separately by Gutman and Mohar [5] and Zhu et al. [24].

**Theorem 1.** [5, 24] *Let  $G$  be a simple and connected graph. The Kirchhoff index of  $G$  is*

$$Kf(G) = |V| \sum_{i=2}^{|V|} \frac{1}{\lambda_i}.$$

Similarly, the degree-Kirchhoff index can be computed as follows.

**Theorem 2.** [2] *Let  $G$  be a simple and connected graph. Then the degree-Kirchhoff index of  $G$  is*

$$Kf^*(G) = 2|E| \sum_{i=2}^{|V|} \frac{1}{\tilde{\lambda}_i}.$$

Kemeny's constant is a crucial graph invariant related to the study of the Markov chain [12] that can also be calculated using the normalized Laplacian spectrum.

**Theorem 3.** [1] *Kemeny's constant of a connected graph  $G$  is*

$$\text{Kc}(G) = \sum_{i=2}^{|V|} \frac{1}{\tilde{\lambda}_i},$$

$$\text{i.e., } \text{Kc}(G) = \frac{1}{2|E|} \cdot \text{Kf}^*(G).$$

The following theorem is used to determine the total number of spanning trees in a connected graph  $G$  using the Laplacian or normalized Laplacian spectrum [3].

**Theorem 4.** [3] *The total count of spanning trees of a connected graph  $G$  is*

$$\tau(G) = \frac{1}{|V|} \prod_{i=2}^{|V|} \lambda_i = \frac{1}{2|E|} \prod_{i=1}^{|V|} d_i \prod_{i=2}^{|V|} \tilde{\lambda}_i.$$

As both of the structural descriptors have important applications in graph theory, networking systems, molecular chemistry, and other related fields, researchers have taken a strong interest in the Kirchhoff indices and degree-Kirchhoff indices of graphs in recent years. Finding the explicit formulae for the Kirchhoff index and the degree-Kirchhoff index for any general class of graphs is not an easy task. But, if a suitable automorphism is found for a particular class of graphs, then using the decomposition theorem, one can derive the explicit formula for them.

Klein and Randić [11] showed that the Kirchhoff index can not exceed the Wiener index and the equality holds only when  $G$  is a tree. Gutman [4] demonstrated that for a tree  $T$ , the Wiener index and the Gutman index are related by the equation  $\text{Gut}(T) = 4 \text{Wn}(T) - (2|V| - 1)(|V| - 1)$ . Similarly, Klein et al. [10] established that the Wiener index and the Schultz index are connected by the formula  $\text{Sc}(T) = 4 \text{Wn}(T) - |V|(|V| - 1)$ .

The formulae of the degree-Kirchhoff index of linear hexagonal chains [9], hexagonal Möbius chains [16], linear crossed hexagonal chains [18], linear polyomino chains [8], cylinder phenylene chains [17], random polygonal chains [13], generalized phenylenes [25], cylinder, and Möbius octagonal chain [15], linear pentagonal derivation chain [14, 23] are already available in the literature. The formula to obtain the Kirchhoff index for pentagonal chains was obtained by Wang and Zhang [21] in 2010 and the degree-Kirchhoff index for the same chain graphs was obtained by He et al. [6] in 2018. Although the formulae to find the Kirchhoff and degree-Kirchhoff indices of several cylinder/ Möbius chains have been computed by many researchers in the last few years, those for cylinder/ Möbius pentagonal chains have not been attempted. Very recently, explicit formulae for the Kirchhoff index of the cylinder pentagonal chains and the Möbius pentagonal chains have been obtained by Sahir and Nayeem [19]. We now present explicit formulae for the degree-Kirchhoff index, Kemeny's constant, Gutman index, and Schultz index of the pentagonal cylinder chain  $P_n$  (see Figure 1) and the pentagonal Möbius chain  $P'_n$  (see Figure 2) on  $|V| = 5n$  ( $n \geq 2$ ) vertices and  $|E| = 7n$  edges, as a continuation of previous works in that direction. For the above-said graphs, we also derive a relationship between the Schultz and Gutman indices and present a comparison between the Gutman indices and the degree-Kirchhoff indices for different values of  $n$ .

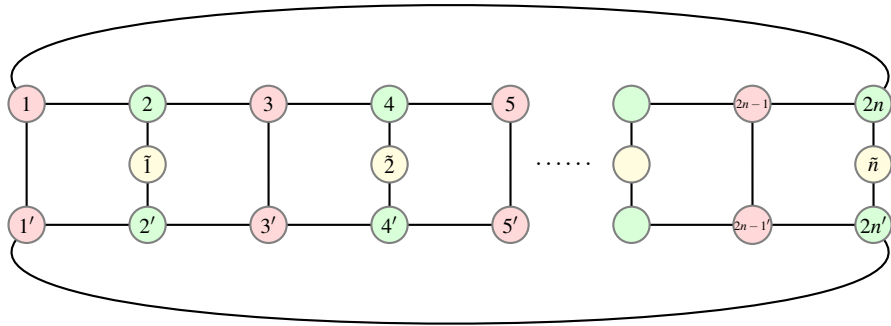


Figure 1: The pentagonal cylinder chain  $P_n$ .

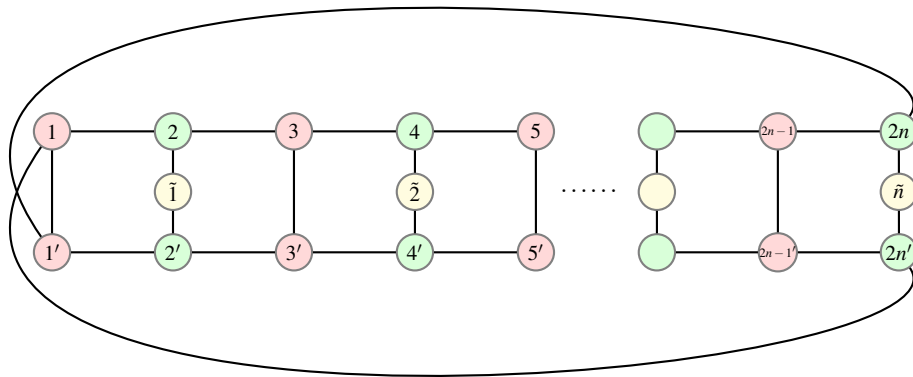


Figure 2: The pentagonal Möbius chain  $P'_n$ .

## 2 Preliminaries

An automorphism  $\pi : V \rightarrow V$  is a bijective map with the properties that  $u$  is adjacent to  $v$  in  $G$  if and only if  $\pi(u)$  is adjacent to  $\pi(v)$  in  $G$ . Let the automorphism  $\pi$  gives the partition  $V_0 = \{v_{\bar{1}}, v_{\bar{2}}, \dots, v_{\bar{p}}\}$ ,  $V_1 = \{v_1, v_2, \dots, v_q\}$  and  $V_2 = \{v'_1, v'_2, \dots, v'_q\}$  of the vertex set  $V$  where  $\pi(v_{\bar{i}}) = v_{\bar{i}}$  for all  $v_{\bar{i}} \in V_0$ ,  $\pi(v_i) = v'_i$  for all  $v_i \in V_1$  and  $\pi(v'_i) = v_i$  for all  $v'_i \in V_2$ . One can readily decompose  $\pi$  as a product of disjoint permutation cycles of length 1 and 2, i.e.,

$$\pi = (v_{\bar{1}})(v_{\bar{2}}) \cdots (v_{\bar{p}})(v_1, v'_1)(v_2, v'_2) \cdots (v_q, v'_q),$$

where  $p + 2q = |V|$ . The normalized Laplacian matrix  $\mathcal{L}(G)$  can be expressed as follows once the vertices have been appropriately relabeled:

$$\mathcal{L}(G) = \begin{pmatrix} \mathcal{L}_{00} & \mathcal{L}_{01} & \mathcal{L}_{02} \\ \mathcal{L}_{10} & \mathcal{L}_{11} & \mathcal{L}_{12} \\ \mathcal{L}_{20} & \mathcal{L}_{21} & \mathcal{L}_{22} \end{pmatrix},$$

where the submatrix  $\mathcal{L}_{ij}$  corresponds to the vertices of the respective vertex sets  $V_i$  and  $V_j$ ,  $i, j = 0, 1, 2$ .

Let,

$$\mathcal{L}_A(G) = \left( \begin{array}{c|c} \mathcal{L}_{00} & \sqrt{2}\mathcal{L}_{01} \\ \hline \sqrt{2}\mathcal{L}_{10} & \mathcal{L}_{11} + \mathcal{L}_{12} \end{array} \right) \quad (1)$$

and

$$\mathcal{L}_S(G) = \mathcal{L}_{11} - \mathcal{L}_{12}. \quad (2)$$

The following lemma is called the normalized Laplacian decomposition lemma.

**Lemma 1.** [9] Let  $\phi(\mathcal{L}(G)) = \det(yI - \mathcal{L}(G))$  denotes the characteristic polynomial of the normalized Laplacian matrix  $\mathcal{L}(G)$  where  $I$  is the identity matrix of suitable size. Then

$$\phi(\mathcal{L}(G)) = \phi(\mathcal{L}_A(G)) \cdot \phi(\mathcal{L}_S(G)),$$

where  $\mathcal{L}_A(G)$  and  $\mathcal{L}_S(G)$  are given by equations (1) and (2) respectively.

From now on, we use  $\mathcal{L}_A$  instead of  $\mathcal{L}_A(P_n)$  and,  $\mathcal{L}_S$  instead of  $\mathcal{L}_S(P_n)$  for the sake of simplicity. Similar notations with primes ( $'$ ) are used for pentagonal Möbius chain  $P'_n$ . Thus,

$$\mathcal{L}_{00} = \mathcal{L}'_{00} = I_n, \mathcal{L}_{01} = \mathcal{L}'_{01} = \begin{pmatrix} 0 & -\frac{1}{\sqrt{6}} & 0 & 0 & \cdots & 0 \\ 0 & 0 & 0 & -\frac{1}{\sqrt{6}} & \cdots & 0 \\ \vdots & \vdots & \vdots & \vdots & \ddots & \vdots \\ 0 & 0 & 0 & 0 & \cdots & -\frac{1}{\sqrt{6}} \end{pmatrix}_{n \times 2n},$$

$$\mathcal{L}_{11} = \begin{pmatrix} 1 & -\frac{1}{3} & 0 & \cdots & 0 & -\frac{1}{3} \\ -\frac{1}{3} & 1 & -\frac{1}{3} & \cdots & 0 & 0 \\ 0 & -\frac{1}{3} & 1 & \cdots & 0 & 0 \\ \vdots & \vdots & \vdots & \ddots & \vdots & \vdots \\ 0 & 0 & 0 & \cdots & 1 & -\frac{1}{3} \\ -\frac{1}{3} & 0 & 0 & \cdots & -\frac{1}{3} & 1 \end{pmatrix}_{2n \times 2n}, \quad \mathcal{L}_{12} = \begin{pmatrix} -\frac{1}{3} & 0 & 0 & \cdots & 0 & 0 \\ 0 & 0 & 0 & \cdots & 0 & 0 \\ 0 & 0 & -\frac{1}{3} & \cdots & 0 & 0 \\ \vdots & \vdots & \vdots & \ddots & \vdots & \vdots \\ 0 & 0 & 0 & \cdots & -\frac{1}{3} & 0 \\ 0 & 0 & 0 & \cdots & 0 & 0 \end{pmatrix}_{2n \times 2n},$$

$$\text{and } \mathcal{L}'_{11} = \begin{pmatrix} 1 & -\frac{1}{3} & 0 & \cdots & 0 & 0 \\ -\frac{1}{3} & 1 & -\frac{1}{3} & \cdots & 0 & 0 \\ 0 & -\frac{1}{3} & 1 & \cdots & 0 & 0 \\ \vdots & \vdots & \vdots & \ddots & \vdots & \vdots \\ 0 & 0 & 0 & \cdots & 1 & -\frac{1}{3} \\ 0 & 0 & 0 & \cdots & -\frac{1}{3} & 1 \end{pmatrix}_{2n \times 2n}, \mathcal{L}'_{12} = \begin{pmatrix} -\frac{1}{3} & 0 & 0 & \cdots & 0 & -\frac{1}{3} \\ 0 & 0 & 0 & \cdots & 0 & 0 \\ 0 & 0 & -\frac{1}{3} & \cdots & 0 & 0 \\ \vdots & \vdots & \vdots & \ddots & \vdots & \vdots \\ 0 & 0 & 0 & \cdots & -\frac{1}{3} & 0 \\ -\frac{1}{3} & 0 & 0 & \cdots & 0 & 0 \end{pmatrix}_{2n \times 2n}.$$

So,

$$\mathcal{L}_A = \mathcal{L}'_A = \left( \begin{array}{cccc|cccc} 1 & 0 & \cdots & 0 & 0 & -\frac{1}{\sqrt{3}} & 0 & 0 & \cdots & 0 \\ 0 & 1 & \cdots & 0 & 0 & 0 & 0 & -\frac{1}{\sqrt{3}} & \cdots & 0 \\ \vdots & \vdots & \ddots & \vdots & \vdots & \vdots & \vdots & \vdots & \ddots & \vdots \\ 0 & 0 & \cdots & 1 & 0 & 0 & 0 & 0 & \cdots & -\frac{1}{\sqrt{3}} \\ \hline 0 & 0 & \cdots & 0 & \frac{2}{3} & -\frac{1}{3} & 0 & 0 & \cdots & -\frac{1}{3} \\ -\frac{1}{\sqrt{3}} & 0 & \cdots & 0 & -\frac{1}{3} & 1 & -\frac{1}{3} & 0 & \cdots & 0 \\ 0 & 0 & \cdots & 0 & 0 & -\frac{1}{3} & \frac{2}{3} & -\frac{1}{3} & \cdots & 0 \\ 0 & -\frac{1}{\sqrt{3}} & \cdots & 0 & 0 & 0 & -\frac{1}{3} & 1 & \cdots & 0 \\ \vdots & \vdots & \ddots & \vdots & \vdots & \vdots & \vdots & \vdots & \ddots & \vdots \\ 0 & 0 & \cdots & -\frac{1}{\sqrt{3}} & -\frac{1}{3} & 0 & 0 & 0 & \cdots & 1 \end{array} \right)_{3n \times 3n},$$

$$\mathcal{L}_S = \begin{pmatrix} \frac{4}{3} & -\frac{1}{3} & 0 & 0 & \cdots & 0 & 0 & -\frac{1}{3} \\ -\frac{1}{3} & 1 & -\frac{1}{3} & 0 & \cdots & 0 & 0 & 0 \\ 0 & -\frac{1}{3} & \frac{4}{3} & -\frac{1}{3} & \cdots & 0 & 0 & 0 \\ 0 & 0 & -\frac{1}{3} & 1 & \cdots & 0 & 0 & 0 \\ \vdots & \vdots & \vdots & \vdots & \ddots & \vdots & \vdots & \vdots \\ 0 & 0 & 0 & 0 & \cdots & 1 & -\frac{1}{3} & 0 \\ 0 & 0 & 0 & 0 & \cdots & -\frac{1}{3} & \frac{4}{3} & -\frac{1}{3} \\ -\frac{1}{3} & 0 & 0 & 0 & \cdots & 0 & -\frac{1}{3} & 1 \end{pmatrix}_{2n \times 2n}$$

$$= \frac{1}{3} \cdot \begin{pmatrix} 4 & -1 & 0 & 0 & \cdots & 0 & 0 & -1 \\ -1 & 3 & -1 & 0 & \cdots & 0 & 0 & 0 \\ 0 & -1 & 4 & -1 & \cdots & 0 & 0 & 0 \\ 0 & 0 & -1 & 3 & \cdots & 0 & 0 & 0 \\ \vdots & \vdots & \vdots & \vdots & \ddots & \vdots & \vdots & \vdots \\ 0 & 0 & 0 & 0 & \cdots & 3 & -1 & 0 \\ 0 & 0 & 0 & 0 & \cdots & -1 & 4 & -1 \\ -1 & 0 & 0 & 0 & \cdots & 0 & -1 & 3 \end{pmatrix}_{2n \times 2n},$$

and

$$\begin{aligned} \mathcal{L}'_S &= \begin{pmatrix} \frac{4}{3} & -\frac{1}{3} & 0 & 0 & \cdots & 0 & 0 & \frac{1}{3} \\ -\frac{1}{3} & 1 & -\frac{1}{3} & 0 & \cdots & 0 & 0 & 0 \\ 0 & -\frac{1}{3} & \frac{4}{3} & -\frac{1}{3} & \cdots & 0 & 0 & 0 \\ 0 & 0 & -\frac{1}{3} & 1 & \cdots & 0 & 0 & 0 \\ \vdots & \vdots & \vdots & \vdots & \ddots & \vdots & \vdots & \vdots \\ 0 & 0 & 0 & 0 & \cdots & 1 & -\frac{1}{3} & 0 \\ 0 & 0 & 0 & 0 & \cdots & -\frac{1}{3} & \frac{4}{3} & -\frac{1}{3} \\ \frac{1}{3} & 0 & 0 & 0 & \cdots & 0 & -\frac{1}{3} & 1 \end{pmatrix}_{2n \times 2n} \\ &= \frac{1}{3} \cdot \begin{pmatrix} 4 & -1 & 0 & 0 & \cdots & 0 & 0 & 1 \\ -1 & 3 & -1 & 0 & \cdots & 0 & 0 & 0 \\ 0 & -1 & 4 & -1 & \cdots & 0 & 0 & 0 \\ 0 & 0 & -1 & 3 & \cdots & 0 & 0 & 0 \\ \vdots & \vdots & \vdots & \vdots & \ddots & \vdots & \vdots & \vdots \\ 0 & 0 & 0 & 0 & \cdots & 3 & -1 & 0 \\ 0 & 0 & 0 & 0 & \cdots & -1 & 4 & -1 \\ 1 & 0 & 0 & 0 & \cdots & 0 & -1 & 3 \end{pmatrix}_{2n \times 2n}. \end{aligned}$$

Let

$$\phi(\mathcal{L}_A) = y^{3n} + \gamma_1 y^{3n-1} + \cdots + \gamma_{3n-2} y^2 + \gamma_{3n-1} y \quad (\text{since } \mathcal{L}_A \text{ is singular, } \gamma_{3n} = 0), \quad (3)$$

$$\text{and } \phi(\mathcal{L}_S) = y^{2n} + \delta_1 y^{2n-1} + \cdots + \delta_{2n-2} y^2 + \delta_{2n-1} y + \delta_{2n}. \quad (4)$$

Therefore,  $\gamma_i = (-1)^i \cdot (\sum_{i=1}^{3n} \text{principal minors of } \mathcal{L}_A \text{ of order } i)$ , and  $\delta_j = (-1)^j \cdot (\sum_{j=1}^{2n} \text{principal minors of } \mathcal{L}_S \text{ of order } j)$ .

Let  $\{0 = \rho_1 < \rho_2 \leq \cdots \leq \rho_{3n}\}$  represent the eigenvalues of  $\mathcal{L}_A$ , and  $\{\mu_1 \leq \mu_2 \leq \cdots \leq \mu_{2n}\}$  represent the eigenvalues of  $\mathcal{L}_S$ . From Lemma 1, the normalized Laplacian spectrum of the graph  $P_n$  is given by

$$\{0 = \rho_1 < \rho_2 \leq \cdots \leq \rho_{3n}\} \cup \{\mu_1 \leq \mu_2 \leq \cdots \leq \mu_{2n}\}.$$

Let  $M$  be a  $p \times q$  matrix and  $Y \subset \{1, 2, \dots, p\}$  and  $Z \subset \{1, 2, \dots, q\}$ . By  $M(Y|Z)$ , we correspond to the submatrix of  $M$  that is formed by eliminating the corresponding rows and columns in  $Y$  and  $Z$ , respectively. We denote the cofactor of  $w_{kl}$  of a square matrix  $W = (w_{ij})$  of order  $p$  by  $\text{cf}(W(k, l))$ . We refer to a column vector of appropriate size  $e_i$ , with all zeros except the  $i$ -th element, which is 1. The (classical) adjoint matrix  $\text{adj}(W)$  of a square matrix  $W = (w_{ij})$  is defined by  $\text{adj}(W) = (\text{cf}(W(i, j)))^T$ .

### 3 The derivation of degree-Kirchhoff index

By Theorem 2, the degree-Kirchhoff index for  $P_n$ , ( $n \geq 2$ ) is

$$\text{Kf}^*(P_n) = 14n \left( \sum_{i=2}^{3n} \frac{1}{\rho_i} + \sum_{j=1}^{2n} \frac{1}{\mu_j} \right). \quad (5)$$

We obtain from the connection between roots and coefficients  $\sum_{i=2}^{3n} \frac{1}{\rho_i} = -\frac{\gamma_{3n-2}}{\gamma_{3n-1}}$  and  $\sum_{j=1}^{2n} \frac{1}{\mu_j} = -\frac{\delta_{2n-1}}{\delta_{2n}} = -\frac{\delta_{2n-1}}{\det(\mathcal{L}_S)}$ .

Hence, from (5), for  $n \geq 2$ ,

$$\text{Kf}^*(P_n) = 14n \left( -\frac{\gamma_{3n-2}}{\gamma_{3n-1}} - \frac{\delta_{2n-1}}{\det(\mathcal{L}_S)} \right). \quad (6)$$

Similarly, for  $n \geq 2$ ,

$$\begin{aligned} \text{Kf}^*(P'_n) &= 14n \left( \sum_{i=2}^{3n} \frac{1}{\rho_i} + \sum_{j=1}^{2n} \frac{1}{\mu'_j} \right) \\ &= 14n \left( -\frac{\gamma_{3n-2}}{\gamma_{3n-1}} - \frac{\delta'_{2n-1}}{\det(\mathcal{L}'_S)} \right). \end{aligned} \quad (7)$$

To evaluate the ratios involved in the above expressions, the next lemmas are used.

**Lemma 2** (Matrix-determinant lemma). [7] Consider a square matrix  $W$  of order  $n$ . Then  $\det(W + uv^T) = \det(W) + v^T \text{adj}(W)u$ , where  $u$ , and  $v$  are column vectors of size  $n$ .

**Lemma 3** (Schur determinant formula). [7] Let  $A = \begin{pmatrix} B_1 & B_2 \\ B_3 & B_4 \end{pmatrix}$  be a  $(p+q) \times (p+q)$  matrix with the blocks  $B_1, B_2, B_3$  and  $B_4$  of the respective orders  $p \times p, p \times q, q \times p$ , and  $q \times q$ . If  $B_1$  is an invertible matrix, then  $\det(A) = \det(B_1) \cdot \det(B_4 - B_3 B_1^{-1} B_2)$ .

In [19], Sahir and Nayeem have deduced the following lemmas which we will use in our work also.

**Lemma 4.** [19] Let  $R_i = \begin{pmatrix} -2 & 1 & 0 & \cdots & 0 & 0 & 0 \\ 1 & -2 & 1 & \cdots & 0 & 0 & 0 \\ 0 & 1 & -2 & \cdots & 0 & 0 & 0 \\ \vdots & \vdots & \vdots & \ddots & \vdots & \vdots & \vdots \\ 0 & 0 & 0 & \cdots & -2 & 1 & 0 \\ 0 & 0 & 0 & \cdots & 1 & -2 & 1 \\ 0 & 0 & 0 & \cdots & 0 & 1 & -2 \end{pmatrix}$  be a  $i \times i$  matrix. Then  $\det(R_i) =$

$$(-1)^i \cdot (1+i).$$

**Lemma 5.** [19] Let

$$R_{i,j} = \left( \begin{array}{cccc|ccc|ccc} -2 & 1 & \cdots & 0 & 0 & 0 & \cdots & 0 & 0 & 0 \\ 1 & -2 & \cdots & 0 & 0 & 0 & \cdots & 0 & 0 & 0 \\ 0 & 1 & \cdots & 0 & 0 & 0 & \cdots & 0 & 0 & 0 \\ \vdots & \vdots & \ddots & \vdots & \vdots & \vdots & \ddots & \vdots & \vdots & \vdots \\ 0 & 0 & \cdots & -2 & 1 & 0 & \cdots & 0 & 0 & 0 \\ \hline 0 & 0 & \cdots & 1 & -3 & 1 & \cdots & 0 & 0 & 0 \\ \hline 0 & 0 & \cdots & 0 & 1 & -2 & \cdots & 0 & 0 & 0 \\ \vdots & \vdots & \ddots & \vdots & \vdots & \vdots & \ddots & \vdots & \vdots & \vdots \\ 0 & 0 & \cdots & 0 & 0 & 0 & \cdots & -2 & 1 & 0 \\ 0 & 0 & \cdots & 0 & 0 & 0 & \cdots & 1 & -2 & 0 \end{array} \right)$$



be a  $i \times i$  matrix where the  $(j, j)$ -th ( $j \leq i$ ) element is  $-3$ . Then  $\det(R_{i,j}) = (-1)^i \cdot (1 + i + j + ij - j^2)$ .

**Lemma 6.** [19] Let

$$R = \left( \begin{array}{ccccc|c|cccc} -2 & 1 & 0 & \cdots & 0 & 0 & 0 & \cdots & 0 & 1 \\ 1 & -2 & 1 & \cdots & 0 & 0 & 0 & \cdots & 0 & 0 \\ 0 & 1 & -2 & \cdots & 0 & 0 & 0 & \cdots & 0 & 0 \\ \vdots & \vdots & \vdots & \ddots & \vdots & \vdots & \vdots & \ddots & \vdots & \vdots \\ 0 & 0 & 0 & \cdots & -2 & 1 & 0 & \cdots & 0 & 0 \\ \hline 0 & 0 & 0 & \cdots & 1 & -3 & 1 & \cdots & 0 & 0 \\ \hline 0 & 0 & 0 & \cdots & 0 & 1 & -2 & \cdots & 0 & 0 \\ \vdots & \vdots & \vdots & \ddots & \vdots & \vdots & \vdots & \ddots & \vdots & \vdots \\ 0 & 0 & 0 & \cdots & 0 & 0 & 0 & \cdots & -2 & 1 \\ 1 & 0 & 0 & \cdots & 0 & 0 & 0 & \cdots & 1 & -2 \end{array} \right)$$

be a  $2n \times 2n$  matrix where the  $(2i, 2i)$ -th element of  $R$  is  $-3$ . Then  $\det(R) = 2n$ .

**Lemma 7.** [19] Let

$$S = \left( \begin{array}{cccccc|cccc} -2 & 1 & 0 & \cdots & 0 & 0 & 0 & 0 & \cdots & 0 & 1 \\ 1 & -2 & 1 & \cdots & 0 & 0 & 0 & 0 & \cdots & 0 & 0 \\ 0 & 1 & -2 & \cdots & 0 & 0 & 0 & 0 & \cdots & 0 & 0 \\ \vdots & \vdots & \vdots & \ddots & \vdots & \vdots & \vdots & \vdots & \ddots & \vdots & \vdots \\ 0 & 0 & 0 & \cdots & -2 & 1 & 0 & 0 & \cdots & 0 & 0 \\ 0 & 0 & 0 & \cdots & 1 & -2 & 0 & 0 & \cdots & 0 & 0 \\ \hline 0 & 0 & 0 & \cdots & 0 & 0 & -2 & 1 & \cdots & 0 & 0 \\ 0 & 0 & 0 & \cdots & 0 & 0 & 1 & -2 & \cdots & 0 & 0 \\ \vdots & \vdots & \vdots & \ddots & \vdots & \vdots & \vdots & \vdots & \ddots & \vdots & \vdots \\ 0 & 0 & 0 & \cdots & 0 & 0 & 0 & 0 & \cdots & -2 & 1 \\ 1 & 0 & 0 & \cdots & 0 & 0 & 0 & 0 & \cdots & 1 & -2 \end{array} \right)$$

be a  $(2n - 1) \times (2n - 1)$  matrix where the respective size of the diagonal blocks are  $(i - n - 1)$  and  $(3n - i)$ ,  $i \in \{n + 1, n + 2, \dots, 3n\}$ . Then  $\det(S) = -2n$ .

**Lemma 8.** *Let*

$$W_1 = \left( \begin{array}{cccc|cccc|cccc|cccc} -2 & 1 & 0 & \cdots & 0 & 0 & 0 & \cdots & 0 & 0 & 0 & \cdots & 0 & 1 \\ 1 & -2 & 1 & \cdots & 0 & 0 & 0 & \cdots & 0 & 0 & 0 & \cdots & 0 & 0 \\ 0 & 1 & -2 & \cdots & 0 & 0 & 0 & \cdots & 0 & 0 & 0 & \cdots & 0 & 0 \\ \vdots & \vdots & \vdots & \ddots & \vdots & \vdots & \vdots & \ddots & \vdots & \vdots & \vdots & \ddots & \vdots & \vdots \\ 0 & 0 & 0 & \cdots & -2 & 1 & 0 & \cdots & 0 & 0 & 0 & \cdots & 0 & 0 \\ \hline 0 & 0 & 0 & \cdots & 1 & -3 & 1 & \cdots & 0 & \cdots & 0 & \cdots & 0 & 0 \\ 0 & 0 & 0 & \cdots & 0 & 1 & -2 & \cdots & 0 & 0 & 0 & \cdots & 0 & 0 \\ \vdots & \vdots & \vdots & \ddots & \vdots & \vdots & \vdots & \ddots & \vdots & \vdots & \vdots & \ddots & \vdots & \vdots \\ 0 & 0 & 0 & \cdots & 0 & 0 & 0 & \cdots & -2 & 1 & 0 & \cdots & 0 & 0 \\ \hline 0 & 0 & 0 & \cdots & 0 & \cdots & 0 & \cdots & 1 & -3 & 1 & \cdots & 0 & 0 \\ 0 & 0 & 0 & \cdots & 0 & 0 & 0 & \cdots & 0 & 1 & -2 & \cdots & 0 & 0 \\ \vdots & \vdots & \vdots & \ddots & \vdots & \vdots & \vdots & \ddots & \vdots & \vdots & \vdots & \ddots & \vdots & \vdots \\ 0 & 0 & 0 & \cdots & 0 & 0 & 0 & \cdots & 0 & 0 & 0 & \cdots & -2 & 1 \\ 1 & 0 & 0 & \cdots & 0 & 0 & 0 & \cdots & 0 & 0 & 0 & \cdots & 1 & -2 \end{array} \right)$$

be a  $2n \times 2n$  matrix with the  $(2i, 2i)$ -th element and  $(2j, 2j)$ -th element both  $-3$ , where  $i, j (> i) \in \{1, 2, \dots, n\}$ . Then  $\det(W_1) = 4n + 8ij - 4n(i - j) - 4(i^2 + j^2)$ .

*Proof.* Let

$$T_{p,s,t} = R_{p,s} - e_t e_t^T = \left( \begin{array}{cccc|cccc|cccc|cccc} -2 & 1 & 0 & \cdots & 0 & 0 & 0 & \cdots & 0 & 0 & 0 & \cdots & 0 & 0 \\ 1 & -2 & 1 & \cdots & 0 & 0 & 0 & \cdots & 0 & 0 & 0 & \cdots & 0 & 0 \\ 0 & 1 & -2 & \cdots & 0 & 0 & 0 & \cdots & 0 & 0 & 0 & \cdots & 0 & 0 \\ \vdots & \vdots & \vdots & \ddots & \vdots & \vdots & \vdots & \ddots & \vdots & \vdots & \vdots & \ddots & \vdots & \vdots \\ 0 & 0 & 0 & \cdots & -2 & 1 & 0 & \cdots & 0 & 0 & 0 & \cdots & 0 & 0 \\ \hline 0 & 0 & 0 & \cdots & 1 & -3 & 1 & \cdots & 0 & \cdots & 0 & \cdots & 0 & 0 \\ 0 & 0 & 0 & \cdots & 0 & 1 & -2 & \cdots & 0 & 0 & 0 & \cdots & 0 & 0 \\ \vdots & \vdots & \vdots & \ddots & \vdots & \vdots & \vdots & \ddots & \vdots & \vdots & \vdots & \ddots & \vdots & \vdots \\ 0 & 0 & 0 & \cdots & 0 & 0 & 0 & \cdots & -2 & 1 & 0 & \cdots & 0 & 0 \\ \hline 0 & 0 & 0 & \cdots & 0 & \cdots & 0 & \cdots & 1 & -3 & 1 & \cdots & 0 & 0 \\ 0 & 0 & 0 & \cdots & 0 & 0 & 0 & \cdots & 0 & 1 & -2 & \cdots & 0 & 0 \\ \vdots & \vdots & \vdots & \ddots & \vdots & \vdots & \vdots & \ddots & \vdots & \vdots & \vdots & \ddots & \vdots & \vdots \\ 0 & 0 & 0 & \cdots & 0 & 0 & 0 & \cdots & 0 & 0 & 0 & \cdots & -2 & 1 \\ 0 & 0 & 0 & \cdots & 0 & 0 & 0 & \cdots & 0 & 0 & 0 & \cdots & 1 & -2 \end{array} \right)$$

be a  $p \times p$  matrix where each of the  $(s, s)$ -th and  $(t, t)$ -th elements of  $T_{p,s,t}$  is  $-3$ ,  $s, t (> s) \in$

$\{1, 2, \dots, p\}$ . Apply Lemma 2 to get,

$$\begin{aligned}
\det(T_{p,s,t}) &= \det(R_{p,s}) - \text{cf}(R_{p,s}(t,t)) \\
&= \det(R_{p,s}) - (-1)^{t+t} \det(R_{t-1,s}) \cdot \det(R_{p-t}) \\
&= (-1)^p \cdot (1 + p + s + ps - s^2) \\
&\quad - (-1)^{t-1} \cdot (1 + (t-1) + s + (t-1)s - s^2) \cdot (-1)^{p-t} (1 + p - t) \\
&\hspace{15em} \text{(by Lemma 4 and Lemma 5)} \\
&= (-1)^p \cdot (pt(s+1) + s(p+t) + (p+s+t+1) - s^2(p+2-t) - t^2(s+1)). \tag{8}
\end{aligned}$$

Now, applying Lemma 2 two consecutive times and using (8), we obtain

$$\begin{aligned}
\det(W_1) &= \det(T_{2n,2i,2j}) - \det(T_{2n-2,2i-1,2j-1}) - 2 \\
&= 4n + 8ij - 4n(i-j) - 4(i^2 + j^2).
\end{aligned}$$

□

**Lemma 9.** *Let*

$$W_2 = \begin{pmatrix} R_{i-n-1} & \mathbf{0} & e_1 e_{3n-j}^T \\ \mathbf{0} & R_{j-i-1} & \mathbf{0} \\ e_{3n-j} e_1^T & \mathbf{0} & R_{3n-j} \end{pmatrix}$$

with  $i, j (> i) \in \{n+1, n+2, \dots, 3n\}$ , be a  $(2n-2) \times (2n-2)$  matrix. Then  $\det(W_2) = 2ij + 2n(j-i) - (i^2 + j^2)$ .

*Proof.* Apply Lemma 2 two times successively to get,

$$\begin{aligned}
\det(W_2) &= \det(R_{i-n-1}) \cdot \det(R_{j-i-1}) \cdot \det(R_{3n-j}) - \det(R_{i-n-2}) \cdot \det(R_{j-i-1}) \cdot \det(R_{3n-j-1}) \\
&= \det(R_{j-i-1}) \cdot (\det(R_{i-n-1}) \cdot \det(R_{3n-j}) - \det(R_{i-n-2}) \cdot \det(R_{3n-j-1})) \\
&= (-1)^{j-i-1} (j-i) \\
&\quad \cdot ((-1)^{i-n-1} (i-n) \cdot (-1)^{3n-j} (3n-j+1) - (-1)^{i-n-2} (i-n-1) \cdot (-1)^{3n-j-1} (3n-j)) \\
&= (j-i) \cdot ((i-n) \cdot (3n-j+1) - (i-n-1) \cdot (3n-j)) \\
&= 2ij + 2n(j-i) - (i^2 + j^2).
\end{aligned}$$

□

**Lemma 10.** *Let*

$$P = \left( \begin{array}{ccccc|ccc|cc}
-2 & 1 & 0 & \cdots & 0 & 0 & 0 & \cdots & 0 & 1 \\
1 & -2 & 1 & \cdots & 0 & 0 & 0 & \cdots & 0 & 0 \\
0 & 1 & -2 & \cdots & 0 & 0 & 0 & \cdots & 0 & 0 \\
\vdots & \vdots & \vdots & \ddots & \vdots & \vdots & \vdots & \ddots & \vdots & \vdots \\
0 & 0 & 0 & \cdots & -2 & 1 & 0 & \cdots & 0 & 0 \\
\hline
0 & 0 & 0 & \cdots & 1 & -3 & 1 & \cdots & 0 & 0 \\
\hline
0 & 0 & 0 & \cdots & 0 & 1 & -2 & \cdots & 0 & 0 \\
\vdots & \vdots & \vdots & \ddots & \vdots & \vdots & \vdots & \ddots & \vdots & \vdots \\
0 & 0 & 0 & \cdots & 0 & 0 & 0 & \cdots & -2 & 1 \\
1 & 0 & 0 & \cdots & 0 & 0 & 0 & \cdots & 1 & -2
\end{array} \right)$$

be a  $2n \times 2n$  matrix where the  $(2i, 2i)$ -th element is  $-3$ ,  $W_3 = P(\{j-n\}|\{j-n\})$ , and  $i \in \{1, 2, \dots, n\}$ ,  $j \in \{n+1, n+2, \dots, 3n\}$ . Then

$$\det(W_3) = \begin{cases} (j-n)^2 - 4(j-n)i + 4i^2 - 2n - 2n(j-n-2i), & \text{if } 2i \leq j-n \\ (j-n)^2 - 4(j-n)i + 4i^2 - 2n + 2n(j-n-2i), & \text{if } 2i > j-n. \end{cases}$$

*Proof.* Apply Lemma 2 for the cases below.

**Case 1.** When  $2i \leq j-n$ .

$$\begin{aligned} \det(W_3) &= \det(R_{j-n-1, 2i}) \cdot \det(R_{3n-j}) - \det(R_{j-n-2, 2i-1}) \cdot \det(R_{3n-j-1}) \\ &= (-1)^{j-n-1} (1 + (j-n-1) + (2i) + (j-n-1)(2i) - (2i)^2) \cdot (-1)^{3n-j} (1 + 3n-j) \\ &\quad - (-1)^{j-n-2} (1 + (j-n-2) + (2i-1) + (j-n-2)(2i-1) - (2i-1)^2) \cdot (-1)^{3n-j-1} (3n-j) \quad (\text{by} \\ &\quad \text{Lemmas 4 and 5}) \\ &= -[(1 + (j-n-1) + (2i) + (j-n-1)(2i) - (2i)^2) \cdot (1 + 3n-j) - (1 + (j-n-2) + (2i-1) + \\ &\quad (j-n-2)(2i-1) - (2i-1)^2) \cdot (3n-j)] \\ &= (j-n)^2 - 4(j-n)i + 4i^2 - 2n - 2n(j-n-2i). \end{aligned}$$

**Case 2.** When  $2i > j-n$ .

$$\begin{aligned} \det(W_3) &= \det(R_{j-n-1}) \det(R_{3n-j, 2n-2i+1}) - \det(R_{j-n-2}) \det(R_{3n-j-1, 2n-2i}) \\ &= (-1)^{j-n-1} (j-n) \cdot (-1)^{3n-j} (1 + (3n-j) + (2n-2i+1) + (3n-j)(2n-2i+1) - (2n-2i+1)^2) \\ &\quad - (-1)^{j-n-2} (j-n-1) \cdot (-1)^{3n-j-1} (1 + (3n-j-1) + (2n-2i) + (3n-j-1)(2n-2i) - (2n- \\ &\quad 2i)^2) \quad (\text{by Lemmas 4 and 5}) \\ &= -[(j-n) \cdot (1 + (3n-j) + (2n-2i+1) + (3n-j)(2n-2i+1) - (2n-2i+1)^2) - (j-n-1)(1 + \\ &\quad (3n-j-1) + (2n-2i) + (3n-j-1)(2n-2i) - (2n-2i)^2)] \\ &= (j-n)^2 - 4(j-n)i + 4i^2 - 2n + 2n(j-n-2i). \end{aligned}$$

□

**Lemma 11.** [19] Let

$$N = \begin{pmatrix} 4 & -1 & 0 & 0 & \cdots & 0 & 0 & -1 \\ -1 & 3 & -1 & 0 & \cdots & 0 & 0 & 0 \\ 0 & -1 & 4 & -1 & \cdots & 0 & 0 & 0 \\ 0 & 0 & -1 & 3 & \cdots & 0 & 0 & 0 \\ \vdots & \vdots & \vdots & \vdots & \ddots & \vdots & \vdots & \vdots \\ 0 & 0 & 0 & 0 & \cdots & 3 & -1 & 0 \\ 0 & 0 & 0 & 0 & \cdots & -1 & 4 & -1 \\ -1 & 0 & 0 & 0 & \cdots & 0 & -1 & 3 \end{pmatrix}$$

and

$$N' = \begin{pmatrix} 4 & -1 & 0 & 0 & \cdots & 0 & 0 & 1 \\ -1 & 3 & -1 & 0 & \cdots & 0 & 0 & 0 \\ 0 & -1 & 4 & -1 & \cdots & 0 & 0 & 0 \\ 0 & 0 & -1 & 3 & \cdots & 0 & 0 & 0 \\ \vdots & \vdots & \vdots & \vdots & \ddots & \vdots & \vdots & \vdots \\ 0 & 0 & 0 & 0 & \cdots & 3 & -1 & 0 \\ 0 & 0 & 0 & 0 & \cdots & -1 & 4 & -1 \\ 1 & 0 & 0 & 0 & \cdots & 0 & -1 & 3 \end{pmatrix}$$

be two matrices of order  $2n$ . Then

$$\sum_{i=1}^{2n} \det(N(\{i|\{i\})) = \sum_{i=1}^{2n} \det(N'(\{i|\{i\})) = \frac{7\sqrt{6}n}{24} \left[ (\sqrt{3} + \sqrt{2})^{2n} - (\sqrt{3} - \sqrt{2})^{2n} \right],$$

$$\det(N) = (\sqrt{3} - \sqrt{2})^{2n} + (\sqrt{3} + \sqrt{2})^{2n} - 2, \text{ and } \det(N') = (\sqrt{3} - \sqrt{2})^{2n} + (\sqrt{3} + \sqrt{2})^{2n} + 2.$$

**Lemma 12.** For  $n \geq 2$ ,

$$\sum_{i=2}^{3n} \frac{1}{\rho_i} = -\frac{\gamma_{3n-2}}{\gamma_{3n-1}} = \frac{49n^2 + 42n - 19}{42}.$$

*Proof.* From (3), we have  $\gamma_{3n-1} = \sum_{i=1}^{3n} \det(-\mathcal{L}_A(\{i|\{i\}))$ .

Now, let  $i \in \{1, 2, \dots, n\}$ . So,

$$\det(-\mathcal{L}_A(\{i|\{i\})) = \begin{vmatrix} -I_{n-1} & -\sqrt{2}\mathcal{L}_{01}(\{i|\{i\}) \\ -\sqrt{2}\mathcal{L}_{01}(\{i|\{i\})^T & Q \end{vmatrix}, \text{ where } Q = -\mathcal{L}_{11} - \mathcal{L}_{12}. \text{ Using}$$

Schur determinant formula, we get

$$\det(-\mathcal{L}_A(\{i|\{i\})) = \det(-I_{n-1}) \cdot \det(Q + 2\mathcal{L}_{01}(\{i|\{i\})^T \cdot \mathcal{L}_{01}(\{i|\{i\})), \text{ for } i \in \{1, 2, \dots, n\}.$$

Now,

$$Q + 2\mathcal{L}_{01}(\{i|\{i\})^T \cdot \mathcal{L}_{01}(\{i|\{i\}) = \frac{1}{3}R.$$

Hence, from Lemma 6,  $\det(-\mathcal{L}_A(\{i|\{i\})) = (-1)^{n-1} \cdot \frac{1}{3^{2n}} \cdot 2n$ , for  $i \in \{1, 2, \dots, n\}$ .

For  $i \in \{n+1, n+2, \dots, 3n\}$ ,

$$\det(-\mathcal{L}_A(\{i|\{i\})) = \begin{vmatrix} -I_n & -\sqrt{2}\mathcal{L}_{01}(\{i|\{i-n\}) \\ -\sqrt{2}\mathcal{L}_{01}(\{i|\{i-n\})^T & Q[i-n] \end{vmatrix}.$$

Using Schur determinant formula, we have, for  $i \in \{n+1, n+2, \dots, 3n\}$ ,

$$\det(-\mathcal{L}_A(\{i|\{i\})) = \det(-I_n) \cdot \det(Q[i-n] + 2\mathcal{L}_{01}(\{i|\{i-n\})^T \cdot \mathcal{L}_{01}(\{i|\{i-n\})).$$

Now,

$$Q[i-n] + 2\mathcal{L}_{01}(\{i|\{i-n\})^T \cdot \mathcal{L}_{01}(\{i|\{i-n\}) = \frac{1}{3}S.$$

Thus from Lemma 7,  $\det(-\mathcal{L}_A(\{i|\{i\})) = (-1)^{n+1} \cdot \frac{1}{3^{2n-1}} \cdot 2n$ , where  $i \in \{n+1, n+2, \dots, 3n\}$ .

Therefore,

$$\begin{aligned} \gamma_{3n-1} &= \sum_{i=1}^{3n} \det(-\mathcal{L}_A(\{i|\{i\})) \\ &= \sum_{i=1}^n \det(-\mathcal{L}_A(\{i|\{i\})) + \sum_{i=n+1}^{3n} \det(-\mathcal{L}_A(\{i|\{i\})) \\ &= (-1)^{n-1} \cdot \frac{1}{3^{2n}} \cdot 2n^2 + (-1)^{n+1} \cdot \frac{1}{3^{2n-1}} \cdot 4n^2 \\ &= (-1)^{n-1} \cdot \frac{14n^2}{3^{2n}}. \end{aligned} \tag{9}$$

Again, from (3)

$$\begin{aligned}
\gamma_{3n-2} &= \sum_{1 \leq i < j \leq 3n} \det(-\mathcal{L}_A(\{i, j\}|\{i, j\})) \\
&= \sum_{1 \leq i < j \leq n} \det(-\mathcal{L}_A(\{i, j\}|\{i, j\})) + \sum_{n+1 \leq i < j \leq 3n} \det(-\mathcal{L}_A(\{i, j\}|\{i, j\})) \\
&\quad + \sum_{\substack{1 \leq i \leq n, \\ n+1 \leq j \leq 3n}} \det(-\mathcal{L}_A(\{i, j\}|\{i, j\})).
\end{aligned}$$

For  $i, j(> i) \in \{1, 2, \dots, n\}$ , using Schur determinant formula,

$$\begin{aligned}
\det(-\mathcal{L}_A(\{i, j\}|\{i, j\})) &= \begin{vmatrix} -I_{n-2} & -\sqrt{2}\mathcal{L}_{01}(\{i, j\}|\{\}) \\ -\sqrt{2}\mathcal{L}_{01}(\{i, j\}|\{\})^T & Q \end{vmatrix} \\
&= \det(-I_{n-2}) \cdot \det(Q + 2\mathcal{L}_{01}(\{i, j\}|\{\})^T \cdot \mathcal{L}_{01}(\{i, j\}|\{\})) \\
&= (-1)^{n-2} \cdot \det\left(\frac{1}{3}W_1\right),
\end{aligned}$$

where  $Q + 2\mathcal{L}_{01}(\{i, j\}|\{\})^T \cdot \mathcal{L}_{01}(\{i, j\}|\{\}) = \frac{1}{3}W_1$ .

By Lemma 8,  $\det(W_1) = 4n + 8ij - 4n(i - j) - 4(i^2 + j^2)$  and hence,  
 $\det(-\mathcal{L}_A(\{i, j\}|\{i, j\})) = (-1)^{n-2} \cdot \frac{1}{3^{2n}} \cdot 4[n + 2ij - n(i - j) - (i^2 + j^2)]$ , for  $i, j(> i) \in \{1, 2, \dots, n\}$ .

For  $i, j(> i) \in \{n+1, n+2, \dots, 3n\}$ , using Schur determinant formula,

$$\begin{aligned}
\det(-\mathcal{L}_A(\{i, j\}|\{i, j\})) &= \begin{vmatrix} -I_n & -\sqrt{2}\mathcal{L}_{01}(\{\}| \{i-n, j-n\}) \\ -\sqrt{2}\mathcal{L}_{01}(\{\}| \{i-n, j-n\})^T & Q(\{i-n, j-n\}|\{i-n, j-n\}) \end{vmatrix} \\
&= \det(-I_n) \cdot \det(Q(\{i-n, j-n\}|\{i-n, j-n\}) + 2\mathcal{L}_{01}(\{\}| \{i-n, j-n\})^T \cdot \mathcal{L}_{01}(\{\}| \{i-n, j-n\})) \\
&= (-1)^n \cdot \det\left(\frac{1}{3}W_2\right),
\end{aligned}$$

where  $Q(\{i-n, j-n\}|\{i-n, j-n\}) + 2\mathcal{L}_{01}(\{\}| \{i-n, j-n\})^T \cdot \mathcal{L}_{01}(\{\}| \{i-n, j-n\}) = \frac{1}{3}W_2$ .

By Lemma 9,  $\det(W_2) = 2ij + 2n(j - i) - (i^2 + j^2)$ , hence,

$$\det(-\mathcal{L}_A(\{i, j\}|\{i, j\})) = (-1)^n \cdot \frac{1}{3^{2n-2}} \cdot [2ij + 2n(j - i) - (i^2 + j^2)], \text{ for } i, j(> i) \in \{n+1, n+2, \dots, 3n\}.$$

In a similar way, for  $i \in \{1, 2, \dots, n\}$ , and  $j \in \{n+1, n+2, \dots, 3n\}$ ,

$$\begin{aligned}
\det(-\mathcal{L}_A(\{i, j\}|\{i, j\})) &= \begin{vmatrix} -I_{n-1} & -\sqrt{2}\mathcal{L}_{01}(\{i\}|\{j-n\}) \\ -\sqrt{2}\mathcal{L}_{01}(\{i\}|\{j-n\})^T & Q(\{j-n\}|\{j-n\}) \end{vmatrix} \\
&= \det(-I_{n-1}) \cdot \det(Q(\{j-n\}|\{j-n\}) + 2\mathcal{L}_{01}(\{i\}|\{j-n\})^T \cdot \mathcal{L}_{01}(\{i\}|\{j-n\})) \\
&= (-1)^{n-1} \cdot \det\left(\frac{1}{3}W_3\right),
\end{aligned}$$

where  $Q(\{j-n|\{j-n\}) + 2\mathcal{L}_{01}(\{i|\{j-n\})^T \cdot \mathcal{L}_{01}(\{i|\{j-n\}) = \frac{1}{3}W_3$ . From Lemma 10,

$$\det(W_3) = \begin{cases} (j-n)^2 - 4(j-n)i + 4i^2 - 2n - 2n(j-n-2i), & \text{if } 2i \leq j-n \\ (j-n)^2 - 4(j-n)i + 4i^2 - 2n + 2n(j-n-2i), & \text{if } 2i > j-n. \end{cases}$$

Hence,

$$\begin{aligned} \gamma_{3n-2} &= (-1)^{n-2} \cdot \frac{1}{3^{2n+1}} \cdot (n^4 + 6n^3 - 7n^2) + (-1)^n \cdot \frac{1}{3^{2n-1}} \cdot (4n^4 - n^2) + (-1)^n \cdot \frac{1}{3^{2n}} \cdot (4n^4 + 12n^3 - n^2) \\ &= (-1)^n \cdot \frac{49n^2 + 42n - 19n^2}{3^{2n+1}}. \end{aligned}$$

$$\text{Hence } \sum_{i=2}^{3n} \frac{1}{\rho_i} = -\frac{\gamma_{3n-2}}{\gamma_{3n-1}} = \frac{49n^2 + 42n - 19}{42}.$$

□

**Lemma 13.** For  $n \geq 2$ ,

$$\sum_{i=1}^{2n} \frac{1}{\mu_i} = \frac{\frac{7\sqrt{6}n}{8} \left[ (\sqrt{3} + \sqrt{2})^{2n} - (\sqrt{3} - \sqrt{2})^{2n} \right]}{(\sqrt{3} + \sqrt{2})^{2n} + (\sqrt{3} - \sqrt{2})^{2n} - 2}$$

and

$$\sum_{i=1}^{2n} \frac{1}{\mu'_i} = \frac{\frac{7\sqrt{6}n}{8} \left[ (\sqrt{3} + \sqrt{2})^{2n} - (\sqrt{3} - \sqrt{2})^{2n} \right]}{(\sqrt{3} + \sqrt{2})^{2n} + (\sqrt{3} - \sqrt{2})^{2n} + 2}.$$

*Proof.* We have  $\delta_{2n-1} = \delta'_{2n-1} = (-1)^{2n-1} \cdot \sum_{i=1}^{2n} \mathcal{L}_S(\{i|\{i\}) = (-1)^{2n-1} \cdot \sum_{i=1}^{2n} \mathcal{L}'_S(\{i|\{i\})$ . Since

$$\mathcal{L}_S = \frac{1}{3}N \text{ and } \mathcal{L}'_S = \frac{1}{3}N',$$

so, from Lemma 11

$$\begin{aligned} -\delta_{2n-1} &= -\delta'_{2n-1} = \frac{1}{3^{2n-1}} \sum_{i=1}^{2n} \det(N(\{i|\{i\})) = \frac{1}{3^{2n-1}} \sum_{i=1}^{2n} \det(N'(\{i|\{i\})) \\ &= \frac{1}{3^{2n-1}} \left( \frac{7\sqrt{6}n}{24} \left[ (\sqrt{3} + \sqrt{2})^{2n} - (\sqrt{3} - \sqrt{2})^{2n} \right] \right). \end{aligned}$$

Hence, from Lemma 11, for  $n \geq 2$ ,

$$\begin{aligned}
\sum_{i=1}^{2n} \frac{1}{\mu_i} &= -\frac{\delta_{2n-1}}{\det(\mathcal{L}_S)} \\
&= \frac{\frac{1}{3^{2n-1}} \left( \frac{7\sqrt{6}n}{24} \left[ (\sqrt{3} + \sqrt{2})^{2n} - (\sqrt{3} - \sqrt{2})^{2n} \right] \right)}{\frac{1}{3^{2n}} \left( (\sqrt{3} + \sqrt{2})^{2n} + (\sqrt{3} - \sqrt{2})^{2n} - 2 \right)} \\
&= \frac{\frac{7\sqrt{6}n}{8} \left[ (\sqrt{3} + \sqrt{2})^{2n} - (\sqrt{3} - \sqrt{2})^{2n} \right]}{(\sqrt{3} + \sqrt{2})^{2n} + (\sqrt{3} - \sqrt{2})^{2n} - 2},
\end{aligned}$$

and

$$\begin{aligned}
\sum_{i=1}^{2n} \frac{1}{\mu'_i} &= -\frac{\delta_{2n-1}}{\det(\mathcal{L}'_S)} \\
&= \frac{\frac{1}{3^{2n-1}} \left( \frac{7\sqrt{6}n}{24} \left[ (\sqrt{3} + \sqrt{2})^{2n} - (\sqrt{3} - \sqrt{2})^{2n} \right] \right)}{\frac{1}{3^{2n}} \left( (\sqrt{3} + \sqrt{2})^{2n} + (\sqrt{3} - \sqrt{2})^{2n} + 2 \right)} \\
&= \frac{\frac{7\sqrt{6}n}{8} \left[ (\sqrt{3} + \sqrt{2})^{2n} - (\sqrt{3} - \sqrt{2})^{2n} \right]}{(\sqrt{3} + \sqrt{2})^{2n} + (\sqrt{3} - \sqrt{2})^{2n} + 2}.
\end{aligned}$$

□

Using relations (6), and (7) and Lemma 12, and Lemma 13, we obtain the following theorem.

**Theorem 5.** For  $n \geq 2$ , the degree-Kirchhoff index  $\text{Kf}^*(P_n)$  of  $P_n$  and  $\text{Kf}^*(P'_n)$  of  $P'_n$  are given by,

$$\text{Kf}^*(P_n) = 14n \left( \frac{49n^2 + 42n - 19}{42} + \frac{\frac{7\sqrt{6}n}{8} \left[ (\sqrt{3} + \sqrt{2})^{2n} - (\sqrt{3} - \sqrt{2})^{2n} \right]}{(\sqrt{3} + \sqrt{2})^{2n} + (\sqrt{3} - \sqrt{2})^{2n} - 2} \right),$$

and

$$\text{Kf}^*(P'_n) = 14n \left( \frac{49n^2 + 42n - 19}{42} + \frac{\frac{7\sqrt{6}n}{8} \left[ (\sqrt{3} + \sqrt{2})^{2n} - (\sqrt{3} - \sqrt{2})^{2n} \right]}{(\sqrt{3} + \sqrt{2})^{2n} + (\sqrt{3} - \sqrt{2})^{2n} + 2} \right).$$

The following theorem is derived from Theorem 3 and Theorem 5.



**Theorem 6.** For  $n \geq 2$ , Kemeny's constant  $\text{Kc}(P_n)$  of  $P_n$  and  $\text{Kc}(P'_n)$  of  $P'_n$  are given by,

$$\text{Kc}(P_n) = \left( \frac{49n^2 + 42n - 19}{42} + \frac{\frac{7\sqrt{6}n}{8} \left[ (\sqrt{3} + \sqrt{2})^{2n} - (\sqrt{3} - \sqrt{2})^{2n} \right]}{(\sqrt{3} + \sqrt{2})^{2n} + (\sqrt{3} - \sqrt{2})^{2n} - 2} \right),$$

and

$$\text{Kc}(P'_n) = \left( \frac{49n^2 + 42n - 19}{42} + \frac{\frac{7\sqrt{6}n}{8} \left[ (\sqrt{3} + \sqrt{2})^{2n} - (\sqrt{3} - \sqrt{2})^{2n} \right]}{(\sqrt{3} + \sqrt{2})^{2n} + (\sqrt{3} - \sqrt{2})^{2n} + 2} \right).$$

We obtain the formulae for the total count of spanning trees of  $P_n$  and  $P'_n$  using the Theorem 4 as follows.

**Corollary 1.** The total count of spanning trees for  $P_n$  is

$$\tau(P_n) = 2^n \cdot n \cdot \left( (\sqrt{3} - \sqrt{2})^{2n} + (\sqrt{3} + \sqrt{2})^{2n} - 2 \right)$$

and the total count of spanning trees for  $P'_n$  is

$$\tau(P'_n) = 2^n \cdot n \cdot \left( (\sqrt{3} - \sqrt{2})^{2n} + (\sqrt{3} + \sqrt{2})^{2n} + 2 \right).$$

*Proof.* From Theorem 4,

$$\begin{aligned} \tau(P_n) &= \frac{1}{14n} \cdot \left( \prod_{i=1}^{5n} d_i \right) \cdot \left( \prod_{i=2}^{3n} \rho_i \prod_{j=1}^{2n} \mu_j \right) \\ &= \frac{2^n 3^{4n} \cdot (-1)^{3n-1} \gamma_{3n-1} \cdot \det(\mathcal{L}_S)}{14n} \\ &= \frac{2^n 3^{4n} \cdot \frac{14n^2}{3^{2n}} \cdot \frac{1}{3^{2n}} \left( (\sqrt{3} - \sqrt{2})^{2n} + (\sqrt{3} + \sqrt{2})^{2n} - 2 \right)}{14n} \\ &= 2^n \cdot n \cdot \left( (\sqrt{3} - \sqrt{2})^{2n} + (\sqrt{3} + \sqrt{2})^{2n} - 2 \right). \end{aligned}$$

and

$$\begin{aligned} \tau(P'_n) &= \frac{1}{14n} \cdot \left( \prod_{i=1}^{5n} d_i \right) \cdot \left( \prod_{i=2}^{3n} \rho_i \prod_{j=1}^{2n} \mu'_j \right) \\ &= \frac{2^n 3^{4n} \cdot (-1)^{3n-1} \gamma_{3n-1} \cdot \det(\mathcal{L}'_S)}{14n} \\ &= \frac{2^n 3^{4n} \cdot \frac{14n^2}{3^{2n}} \cdot \frac{1}{3^{2n}} \left( (\sqrt{3} - \sqrt{2})^{2n} + (\sqrt{3} + \sqrt{2})^{2n} + 2 \right)}{14n} \\ &= 2^n \cdot n \cdot \left( (\sqrt{3} - \sqrt{2})^{2n} + (\sqrt{3} + \sqrt{2})^{2n} + 2 \right). \end{aligned}$$

□

The same formulae for the total count of spanning trees of  $P_n$  and  $P'_n$  were obtained by Sahir and Nayeem [19] using the Laplacian eigenvalues of  $P_n$  and  $P'_n$ .

## 4 The relations among different indices

For  $P_n$  and  $P'_n$ , we compute the Schultz and Gutman indices.

**Theorem 7.** *The Gutman index  $\text{Gut}(P_n)$  of the pentagonal cylinder chain  $P_n$  on  $5n$  vertices is*

$$\text{Gut}(P_n) = \begin{cases} 49n^3 + 64n^2 + 5n, & \text{if } n \text{ is even} \\ 49n^3 + 64n^2 + 4n, & \text{if } n \text{ is odd.} \end{cases}$$

*Proof.* The vertices of the pentagonal cylinder chain  $P_n$  (see Figure 1) can be categorized below.

1. An  $a$ -type vertex is a degree-3 vertex that is non-adjacent to any degree-2 vertex. So, the vertices with labels  $\{1, 1', 3, 3', \dots, 2n-1, 2n-1'\}$  are referred to as  $a$ -type vertices.
2. A  $b$ -type vertex is a degree-3 vertex that is adjacent to a degree-2 vertex. So, the vertices with labels  $\{2, 2', 4, 4', \dots, 2n, 2n'\}$  are referred to as  $b$ -type vertices.
3. A  $c$ -type vertex is a vertex of degree-2. So, the vertices with labels  $\{\tilde{1}, \tilde{2}, \dots, \tilde{n}\}$  are referred to as  $c$ -type vertices.

Furthermore, the vertices with labels  $\{1, 2, 3, \dots, 2n\}$  and  $\{1', 2', 3', \dots, 2n'\}$  are said to be upper vertices and lower vertices respectively.

Now we have the following observations.

1. The aggregate of the weighted distances  $d_i d_j d_{ij}$  between an  $a$ -type upper vertex and
  - (a) the vertices with labels  $\{1, 2, 3, \dots, 2n\}$  is  $9 \left( 2 \sum_{i=1}^{n-1} i + n \right) = 9n^2$ , and
  - (b) the vertices with labels  $\{1', 2', 3', \dots, 2n'\}$  is  $9 \left( 2 \sum_{i=1}^n i + n \right) = 9(n^2 + 2n)$ .
2. The aggregate of the weighted distances  $d_i d_j d_{ij}$  between an  $a$ -type lower vertex and
  - (a) the vertices with labels  $\{1, 2, 3, \dots, 2n\}$  is  $9 \left( 2 \sum_{i=1}^n i + n \right) = 9(n^2 + 2n)$ , and
  - (b) the vertices with labels  $\{1', 2', 3', \dots, 2n'\}$  is  $9 \left( 2 \sum_{i=1}^{n-1} i + n \right) = 9n^2$ .
3. The aggregate of the weighted distances  $d_i d_j d_{ij}$  between a vertex of type  $a$  (regardless of upper or lower) and the vertices with labels  $\{\tilde{1}, \tilde{2}, \dots, \tilde{n}\}$  is

$$\begin{cases} 6 \left( 4 \sum_{i=1}^{n/2} i \right) = 6 \left\{ \frac{n}{2}(n+2) \right\}, & \text{if } n \text{ is even} \\ 6 \left( 4 \sum_{i=1}^{(n+1)/2} i - (n+1) \right) = 6 \left\{ \frac{1}{2}(n+1)^2 \right\}, & \text{if } n \text{ is odd.} \end{cases}$$

4. The aggregate of the weighted distances  $d_i d_j d_{ij}$  between an upper vertex of type  $b$  and
- (a) the vertices with labels  $\{1, 2, 3, \dots, 2n\}$  is  $9 \left( 2 \sum_{i=1}^{n-1} i + n \right) = 9n^2$ , and
  - (b) the vertices with labels  $\{1', 2', 3', \dots, 2n'\}$  is  $9 \left( 2 \sum_{i=1}^n i + (n+1) \right) = 9(n+1)^2$ .
5. The aggregate of the weighted distances  $d_i d_j d_{ij}$  between a lower vertex of type  $b$  and
- (a) the vertices with labels  $\{1, 2, 3, \dots, 2n\}$  is  $9 \left( 2 \sum_{i=1}^n i + (n+1) \right) = 9(n+1)^2$ , and
  - (b) the vertices with labels  $\{1', 2', 3', \dots, 2n'\}$  is  $9 \left( 2 \sum_{i=1}^{n-1} i + n \right) = 9n^2$ .
6. The aggregate of the weighted distances  $d_i d_j d_{ij}$  between a vertex of type  $b$  (regardless of upper or lower) and the vertices with labels  $\{\tilde{1}, \tilde{2}, \dots, \tilde{n}\}$  is

$$\begin{cases} 6 \left( 2 \sum_{i=1}^{n/2} (2i-1) + n \right) = 6 \left\{ \frac{n}{2}(n+2) \right\}, \text{ if } n \text{ is even} \\ 6 \left( 2 \sum_{i=1}^{(n+1)/2} (2i-1) - 1 \right) = 6 \left\{ \frac{1}{2}(n+1)^2 - 1 \right\}, \text{ if } n \text{ is odd.} \end{cases}$$

7. The aggregate of the weighted distances  $d_i d_j d_{ij}$  between a vertex of type  $c$  and
- (a) the vertices with labels  $\{1, 2, 3, \dots, 2n\}$  is  $6 \left( 2 \sum_{i=1}^n i + n \right) = 6(n^2 + 2n)$ ,
  - (b) the vertices with labels  $\{1', 2', 3', \dots, 2n'\}$  is  $6 \left( 2 \sum_{i=1}^n i + n \right) = 6(n^2 + 2n)$ ,
  - (c) the vertices with labels  $\{\tilde{1}, \tilde{2}, \dots, \tilde{n}\}$  is

$$\begin{cases} 4 \left( 4 \sum_{i=1}^{n/2} i + n - 2 \right) = 4 \left\{ \frac{n^2 + 4n - 4}{2} \right\}, \text{ if } n \text{ is even} \\ 4 \left( 4 \sum_{i=1}^{(n+1)/2} i - 4 \right) = 4 \left\{ \frac{(n+1)(n+3)}{2} - 4 \right\}, \text{ if } n \text{ is odd.} \end{cases}$$

Hence, the Gutman index  $\text{Gut}(P_n)$  of the pentagonal cylinder chain  $P_n$  is

$$\begin{aligned} \text{Gut}(P_n) &= \frac{1}{2} \sum_{i=1}^{5n} \sum_{j=1}^{5n} d_i d_j d_{ij} \\ &= \frac{\sum_{j=1}^{2n} \left( \frac{9(n^2 + n^2 + 2n + n^2 + (n+1)^2)}{+6(\frac{n}{2}(n+2) + \frac{n}{2}(n+2) + n^2 + 2n)} \right) + \sum_{j=1}^n 4 \left( \frac{n^2 + 4n - 4}{2} \right)}{2} \\ &= \frac{2n(48n^2 + 60n + 9) + n(2n^2 + 8n - 8)}{2} \\ &= 49n^3 + 64n^2 + 5n, \text{ if } n \text{ is even,} \end{aligned}$$

and

$$\begin{aligned}
\text{Gut}(P_n) &= \frac{1}{2} \sum_{i=1}^{5n} \sum_{j=1}^{5n} d_i d_j d_{ij} \\
&= \frac{\sum_{j=1}^{2n} \left( \frac{9(n^2+n^2+2n+n^2+(n+1)^2)}{+6(\frac{1}{2}(n+1)^2+\frac{1}{2}(n+1)^2-1+n^2+2n)} \right) + \sum_{j=1}^n 4 \left( \frac{(n+1)(n+3)}{2} - 4 \right)}{2} \\
&= \frac{2n(48n^2 + 60n + 9) + n(2n^2 + 8n - 10)}{2} \\
&= 49n^3 + 64n^2 + 4n, \text{ if } n \text{ is odd.}
\end{aligned}$$

□

Next, we present another automorphism of the pentagonal Möbius chain  $P'_n$  below, which will be useful for finding the Gutman index of  $P'_n$ .

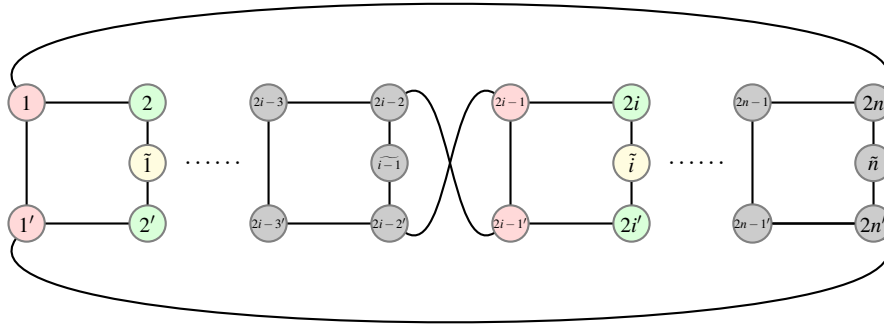


Figure 3: Another representation of Möbius pentagonal chain  $P'_n$ .

**Theorem 8.** The Gutman index  $\text{Gut}(P'_n)$  of the pentagonal Möbius chain  $P'_n$  on  $5n$  vertices is

$$\text{Gut}(P'_n) = \begin{cases} 49n^3 + 64n^2 - 13n, & \text{if } n \text{ is even} \\ 49n^3 + 64n^2 - 14n, & \text{if } n \text{ is odd.} \end{cases}$$

*Proof.* We call the subgraph induced by the vertices with labels  $\{(2i-1), (2i-1)', 2i, 2i', \tilde{i}\}$  as the  $i$ -th block of  $P'_n$ .

Let  $\pi^k : V(P'_n) \rightarrow V(P'_n)$  be defined by  $\pi^k(i) \equiv (i+2k) \pmod{2n}$ ,  $\pi^k(i') \equiv ((i+2k) \pmod{2n})'$ , and  $\pi^k(\tilde{i}) = \tilde{r}$  where  $r \equiv (i+k) \pmod{n}$  for each  $k \in \{1, 2, \dots, n-1\}$ . Then for each  $k \in \{1, 2, \dots, n-1\}$ ,  $\pi^k$  is an automorphism of the pentagonal Möbius chain  $P'_n$  (see Figure 3), and hence the aggregate of the weighted distances  $d_i d_j d_{ij}$  from the vertices in each block to all the vertices of  $P'_n$  is same. So, we calculate the aggregate of the weighted distances  $d_i d_j d_{ij}$  from the vertices in the first block to all the vertices of  $P'_n$ , and then multiply that quantity by  $n$  to get the sum of the weighted distances  $d_i d_j d_{ij}$  between any pair of vertices of  $P'_n$ .

1. The aggregate of the weighted distances  $d_i d_j d_{ij}$  between vertex with label 1 and
  - (a) the vertices with labels  $\{1, 2, 3, \dots, 2n\}$  is  $9 \left( 2 \sum_{i=1}^n i - 1 \right) = 9 \{n(n+1) - 1\}$ ,
  - (b) the vertices with labels  $\{1', 2', 3', \dots, 2n'\}$  is  $9 \left( 2 \sum_{i=1}^n i \right) = 9 \{n(n+1)\}$ .
2. The aggregate of the weighted distances  $d_i d_j d_{ij}$  between vertex with label 1' and
  - (a) the vertices with labels  $\{1, 2, 3, \dots, 2n\}$  is  $9 \left( 2 \sum_{i=1}^n i \right) = 9 \{n(n+1)\}$ ,
  - (b) the vertices with labels  $\{1', 2', 3', \dots, 2n'\}$  is  $9 \left( 2 \sum_{i=1}^n i - 1 \right) = 9 \{n(n+1) - 1\}$ .
3. The aggregate of the weighted distances  $d_i d_j d_{ij}$  between vertex with label 1 or with label 1' and the vertices with labels  $\{\tilde{1}, \tilde{2}, \dots, \tilde{n}\}$  is

$$\begin{cases} 6 \left( 4 \sum_{i=1}^{n/2} i \right) = 6 \left\{ \frac{n}{2} (n+2) \right\}, & \text{if } n \text{ is even} \\ 6 \left( 4 \sum_{i=1}^{(n+1)/2} i - (n+1) \right) = 6 \left\{ \frac{1}{2} (n+1)^2 \right\}, & \text{if } n \text{ is odd.} \end{cases}$$

4. The aggregate of the weighted distances  $d_i d_j d_{ij}$  between vertex with label 2 and
  - (a) the vertices with labels  $\{1, 2, 3, \dots, 2n\}$  is  $9 \left( 2 \sum_{i=1}^n i - 2 \right) = 9 \{n(n+1) - 2\}$ ,
  - (b) the vertices with labels  $\{1', 2', 3', \dots, 2n'\}$  is  $9 \left( 2 \sum_{i=1}^n i + 2 \right) = 9 \{n(n+1) + 2\}$ .
5. The aggregate of the weighted distances  $d_i d_j d_{ij}$  between vertex with label 2' and
  - (a) the vertices with labels  $\{1, 2, 3, \dots, 2n\}$  is  $9 \left( 2 \sum_{i=1}^n i + 2 \right) = 9 \{n(n+1) + 2\}$ ,
  - (b) the vertices with labels  $\{1', 2', 3', \dots, 2n'\}$  is  $9 \left( 2 \sum_{i=1}^n i - 2 \right) = 9 \{n(n+1) - 2\}$ .
6. The aggregate of the weighted distances  $d_i d_j d_{ij}$  between vertex with label 2 or with label 2' and the vertices with labels  $\{\tilde{1}, \tilde{2}, \dots, \tilde{n}\}$  is

$$\begin{cases} 6 \left( 2 \sum_{i=1}^{n/2} (2i-1) + n \right) = 6 \left\{ \frac{n}{2} (n+2) \right\}, & \text{if } n \text{ is even} \\ 6 \left( 2 \sum_{i=1}^{(n+1)/2} (2i-1) - 1 \right) = 6 \left\{ \frac{1}{2} (n+1)^2 - 1 \right\}, & \text{if } n \text{ is odd.} \end{cases}$$

7. The aggregate of the weighted distances  $d_i d_j d_{ij}$  between vertex with label  $\tilde{I}$  and

(a) the vertices with labels  $\{1, 2, 3, \dots, 2n\}$  is  $6 \left( 2 \sum_{i=1}^n i + n \right) = 6 \{n^2 + 2n\}$ ,

(b) the vertices with labels  $\{1', 2', 3', \dots, 2n'\}$  is  $6 \left( 2 \sum_{i=1}^n i + n \right) = 6 \{n^2 + 2n\}$ ,

(c) the vertices with labels  $\{\tilde{1}, \tilde{2}, \dots, \tilde{n}\}$  is

$$\begin{cases} 4 \left( 4 \sum_{i=1}^{n/2} i + n - 2 \right) = 4 \left\{ \frac{n^2 + 4n - 4}{2} \right\}, \text{ if } n \text{ is even} \\ 4 \left( 4 \sum_{i=1}^{(n+1)/2} i - 4 \right) = 4 \left\{ \frac{(n+1)(n+3)}{2} - 4 \right\}, \text{ if } n \text{ is odd.} \end{cases}$$

Hence, the Gutman index  $\text{Gut}(P'_n)$  of the pentagonal Möbius chain  $P'_n$  is

$$\begin{aligned} \text{Gut}(P'_n) &= \frac{1}{2} \sum_{i=1}^{5n} \sum_{j=1}^{5n} d_i d_j d_{ij} \\ &= \frac{\sum_{j=1}^n \left[ 2 \left( \frac{9(n(n+1)+n(n+1)-1+n(n+1)-2+n(n+1)+2)}{+6(\frac{n}{2}(n+2)+\frac{n}{2}(n+2)+n^2+2n)} \right) + 4 \left( \frac{n^2+4n-4}{2} \right) \right]}{2} \\ &= \frac{2n(48n^2 + 60n - 9) + n(2n^2 + 8n - 8)}{2} \\ &= 49n^3 + 64n^2 - 13n, \text{ if } n \text{ is even,} \end{aligned}$$

and

$$\begin{aligned} \text{Gut}(P'_n) &= \frac{1}{2} \sum_{i=1}^{5n} \sum_{j=1}^{5n} d_i d_j d_{ij} \\ &= \frac{\sum_{j=1}^n \left[ 2 \left( \frac{9(n(n+1)+n(n+1)-1+n(n+1)-2+n(n+1)+2)}{+6(\frac{1}{2}(n+1)^2+\frac{1}{2}(n+1)^2-1+n^2+2n)} \right) + 4 \left( \frac{(n+1)(n+3)}{2} - 4 \right) \right]}{2} \\ &= \frac{2n(48n^2 + 60n - 9) + n(2n^2 + 8n - 10)}{2} \\ &= 49n^3 + 64n^2 - 14n, \text{ if } n \text{ is odd.} \end{aligned}$$

□

The Schultz index for  $P_n$  and  $P'_n$  are obtained by using a similar procedure.

**Theorem 9.** *The Schultz index  $\text{Sc}(P_n)$  for  $P_n$  on  $5n$  vertices is*

$$\text{Sc}(P_n) = \begin{cases} 35n^3 + 48n^2 + 2n, & \text{if } n \text{ is even} \\ 35n^3 + 48n^2 + n, & \text{if } n \text{ is odd.} \end{cases}$$

*Proof.* Considering the values of  $(d_i + d_j)d_{ij}$  for different cases as described in the proof of Theorem 7, the Schultz index  $\text{Sc}(P_n)$  of the pentagonal cylinder chain  $P_n$  is given by

$$\begin{aligned}
\text{Sc}(P_n) &= \frac{1}{2} \sum_{i=1}^{5n} \sum_{j=1}^{5n} (d_i + d_j)d_{ij} \\
&= \frac{\sum_{j=1}^{2n} \left( \begin{array}{c} 6(n^2+n^2+2n+n^2+(n+1)^2) \\ +5(\frac{n}{2}(n+2)+\frac{n}{2}(n+2)+n^2+2n) \end{array} \right) + \sum_{j=1}^n 4 \left( \frac{n^2+4n-4}{2} \right)}{2} \\
&= \frac{2n(34n^2 + 44n + 6) + n(2n^2 + 8n - 8)}{2} \\
&= 35n^3 + 48n^2 + 2n, \text{ if } n \text{ is even,}
\end{aligned}$$

and

$$\begin{aligned}
\text{Sc}(P_n) &= \frac{1}{2} \sum_{i=1}^{5n} \sum_{j=1}^{5n} (d_i + d_j)d_{ij} \\
&= \frac{\sum_{j=1}^{2n} \left( \begin{array}{c} 6(n^2+n^2+2n+n^2+(n+1)^2) \\ +5(\frac{1}{2}(n+1)^2+\frac{1}{2}(n+1)^2-1+n^2+2n) \end{array} \right) + \sum_{j=1}^n 4 \left( \frac{(n+1)(n+3)}{2} - 4 \right)}{2} \\
&= \frac{2n(34n^2 + 44n + 6) + n(2n^2 + 8n - 10)}{2} \\
&= 35n^3 + 48n^2 + n, \text{ if } n \text{ is odd.}
\end{aligned}$$

□

**Theorem 10.** *The Schultz index  $\text{Sc}(P'_n)$  for  $P'_n$  on  $5n$  vertices is*

$$\text{Sc}(P'_n) = \begin{cases} 35n^3 + 48n^2 - 10n, & \text{if } n \text{ is even} \\ 35n^3 + 48n^2 - 11n, & \text{if } n \text{ is odd.} \end{cases}$$

*Proof.* Similar to Theorem 8, the Schultz index  $\text{Sc}(P'_n)$  of the pentagonal Möbius chain  $P'_n$  is

$$\begin{aligned}
\text{Sc}(P'_n) &= \frac{1}{2} \sum_{i=1}^{5n} \sum_{j=1}^{5n} (d_i + d_j)d_{ij} \\
&= \frac{\sum_{j=1}^n \left[ 2 \left( \begin{array}{c} 6(n(n+1)+n(n+1)-1+n(n+1)-2+n(n+1)+2) \\ +5(\frac{n}{2}(n+2)+\frac{n}{2}(n+2)+n^2+2n) \end{array} \right) + 4 \left( \frac{n^2+4n-4}{2} \right) \right]}{2} \\
&= \frac{2n(34n^2 + 44n - 6) + n(2n^2 + 8n - 8)}{2} \\
&= 35n^3 + 48n^2 - 10n, \text{ if } n \text{ is even,}
\end{aligned}$$

and

$$\begin{aligned}
\text{Sc}(P'_n) &= \frac{1}{2} \sum_{i=1}^{5n} \sum_{j=1}^{5n} (d_i + d_j) d_{ij} \\
&= \frac{\sum_{j=1}^n \left[ 2 \left( \begin{matrix} 6(n(n+1)+n(n+1)-1+n(n+1)-2+n(n+1)+2) \\ +5(\frac{1}{2}(n+1)^2+\frac{1}{2}(n+1)^2-1+n^2+2n) \end{matrix} \right) + 4 \left( \frac{(n+1)(n+3)}{2} - 4 \right) \right]}{2} \\
&= \frac{2n(34n^2 + 44n - 6) + n(2n^2 + 8n - 10)}{2} \\
&= 35n^3 + 48n^2 - 11n, \text{ if } n \text{ is odd.}
\end{aligned}$$

□

Combining the results obtained in Theorem 7, Theorem 8, Theorem 9, and Theorem 10 we have the following relations.

**Theorem 11.** *Gut*( $P_n$ ) and *Sc*( $P_n$ ) are related by

$$\text{Gut}(P_n) = (14n^3 + 16n^2 + 3n) + \text{Sc}(P_n),$$

and *Gut*( $P'_n$ ) and *Sc*( $P'_n$ ) are related by

$$\text{Gut}(P'_n) = (14n^3 + 16n^2 - 3n) + \text{Sc}(P'_n).$$

There are no explicit relations between the degree-Kirchhoff index  $\text{Kf}^*(P_n)$  ( $\text{Kf}^*(P'_n)$ ) and the Gutman index  $\text{Gut}(P_n)$  ( $\text{Gut}(P'_n)$ ) of the pentagonal cylinder (Möbius) chain  $P_n$  ( $P'_n$ ) but when  $n$  gets larger, the Gutman index approaches to thrice of the degree-Kirchhoff index. Combining Theorem 5, Theorem 7, and Theorem 8 we get the theorem below.

**Theorem 12.**

$$\lim_{n \rightarrow \infty} \frac{\text{Gut}(P_n)}{\text{Kf}^*(P_n)} = 3$$

and

$$\lim_{n \rightarrow \infty} \frac{\text{Gut}(P'_n)}{\text{Kf}^*(P'_n)} = 3.$$

## 5 Conclusion

The degree-Kirchhoff index, the Gutman index, and the Schultz index of the pentagonal Möbius chain  $P'_n$  and the pentagonal cylinder chain  $P_n$  are computed in closed-form in this study. For the previously mentioned types of graphs, we have deduced a relationship between the Schultz index and the Gutman index. Additionally, it has been discovered that for  $P_n$  and  $P'_n$ , the Gutman index is approximately three times larger than the degree-Kirchhoff index when  $n$  is large enough.



$n$	$\text{Gut}(P_n)$	$\text{Kf}^*(P_n)$	$\frac{\text{Gut}(P_n)}{\text{Kf}^*(P_n)}$	$\text{Gut}(P'_n)$	$\text{Kf}^*(P'_n)$	$\frac{\text{Gut}(P'_n)}{\text{Kf}^*(P'_n)}$
2	658	296.5	2.2192	622	291.6	2.1330
3	1911	818.6136	2.3344	1857	817.5	2.2716
4	4180	1724.2	2.4243	4108	1724	2.3828
5	7745	3110.1720	2.4902	7655	3110.1404	2.4613
6	12918	5074.2273	2.5458	12810	5074.2227	2.5245
7	19971	7714.3065	2.5888	19845	7714.3059	2.5725
8	29224	11128.4	2.6261	29080	11128.3999	2.6131
9	40941	15414.5062	2.6560	40779	15414.5062	2.6455
10	55450	20670.6249	2.6826	55270	20670.6249	2.6738
20	417700	148142.4997	2.8196	417340	148142.4997	2.8172
50	6285250	2151365.6234	2.9215	6284350	2151365.6234	2.9211
99	48172311	16278895.2499	2.9592	48170529	16278895.2499	2.9591

Table 1:  $\text{Gut}(P_n)$  and  $\text{Kf}^*(P_n)$  for different  $n$ .

## References

- [1] S. Butler. *Algebraic aspects of the normalized Laplacian*, pages 295–315. Springer International Publishing, Cham, 2016.
- [2] H. Chen and F. Zhang. Resistance distance and the normalized Laplacian spectrum. *Discrete Applied Mathematics*, 155(5):654–661, 2007.
- [3] F. R. K. Chung. *Spectral Graph Theory*. American Mathematical Society, 1997.
- [4] I. Gutman. Selected properties of the Schultz molecular topological index. *Journal of Chemical Information and Computer Sciences*, 34(5):1087–1089, 1994.
- [5] I. Gutman and B. Mohar. The quasi-Wiener and the Kirchhoff indices coincide. *Journal of Chemical Information and Computer Sciences*, 36(5):982–985, 1996.
- [6] C. He, S. Li, W. Luo, and L. Sun. Calculating the normalized Laplacian spectrum and the number of spanning trees of linear pentagonal chains. *Journal of Computational and Applied Mathematics*, 344:381–393, 2018.
- [7] R. A. Horn and C. R. Johnson. *Matrix Analysis*. Cambridge University Press, 1985.
- [8] J. Huang, S. Li, and X. Li. The normalized Laplacian, degree-Kirchhoff index and spanning trees of the linear polyomino chains. *Applied Mathematics and Computation*, 289:324–334, 2016.
- [9] J. Huang, S. Li, and L. Sun. The normalized Laplacians, degree-Kirchhoff index and the spanning trees of linear hexagonal chains. *Discrete Applied Mathematics*, 207:67–79, 2016.

- [10] D. J. Klein, Z. Mihalic, D. Plavsic, and N. Trinajstic. Molecular topological index: a relation with the Wiener index. *Journal of Chemical Information and Computer Sciences*, 32(4):304–305, 1992.
- [11] D. J. Klein and M. Randić. Resistance distance. *Journal of Mathematical Chemistry*, 12(1):81–95, 1993.
- [12] M. Levene and G. Loizou. Kemeny’s constant and the random surfer. *The American Mathematical Monthly*, 109(8):741–745, 2002.
- [13] J. Li and W. Wang. The (degree-) Kirchhoff indices in random polygonal chains. *Discrete Applied Mathematics*, 304:63–75, 2021.
- [14] J.-B. Liu and K. Wang. The multiplicative degree-kirchhoff index and complexity of a class of linear networks. *AIMS Mathematics*, 9(3):7111–7130, 2024.
- [15] J.-B. Liu, T. Zhang, Y. Wang, and W. Lin. The Kirchhoff index and spanning trees of Möbius/cylinder octagonal chain. *Discrete Applied Mathematics*, 307:22–31, 2022.
- [16] X. Ma and H. Bian. The normalized Laplacians, degree-Kirchhoff index and the spanning trees of hexagonal Möbius graphs. *Applied Mathematics and Computation*, 355:33–46, 2019.
- [17] X. Ma and H. Bian. The normalized Laplacians, degree-Kirchhoff index and the spanning trees of cylinder phenylene chain. *Polycyclic Aromatic Compounds*, 41(6):1159–1179, 2021.
- [18] Y. Pan and J. Li. Kirchhoff index, multiplicative degree-Kirchhoff index and spanning trees of the linear crossed hexagonal chains. *International Journal of Quantum Chemistry*, 118(24):e25787, 2018.
- [19] M. A. Sahir and S. M. A. Nayeem. On the Kirchhoff index and the number of spanning trees of cylinder/Möbius pentagonal chain. *Discrete Applied Mathematics*, 326:47–61, 2023.
- [20] H. P. Schultz. Topological Organic Chemistry. 1. Graph theory and topological indices of alkanes. *Journal of Chemical Information and Computer Sciences*, 29(3):227–228, 1989.
- [21] Y. Wang and W. Zhang. Kirchhoff index of linear pentagonal chains. *International Journal of Quantum Chemistry*, 110(9):1594–1604, 2010.
- [22] H. Wiener. Structural determination of paraffin boiling points. *Journal of the American Chemical Society*, 69(1):17–20, 1947.
- [23] Y. Zhang and X. Ma. On the normalized laplacian spectrum of the linear pentagonal derivation chain and its application. *Axioms*, 12(10), 2023.
- [24] H.-Y. Zhu, D. J. Klein, and I. Lukovits. Extensions of the Wiener number. *Journal of Chemical Information and Computer Sciences*, 36(3):420–428, 1996.
- [25] Z. Zhu and J.-B. Liu. The normalized Laplacian, degree-Kirchhoff index and the spanning tree numbers of generalized phenylenes. *Discrete Applied Mathematics*, 254:256–267, 2019.