

System Integrated Information

William Marshall ^{1,2*}, Matteo Grasso ¹, William G.P. Mayner ^{1,3}, Alireza Zaeemzadeh ¹, Leonardo S. Barbosa ^{1,4}, Erick Chastain ⁵, Graham Findlay ^{1,3}, Shuntaro Sasai ^{1,6}, Larissa Albantakis ¹ and Giulio Tononi ^{1*}

- ¹ Department of Psychiatry, University of Wisconsin-Madison, Madison, WI 53719 USA
² Department of Mathematics and Statistics, Brock University, St. Catharines, ON L2S 3A1, Canada
³ Neuroscience Training Program, University of Wisconsin-Madison, Madison, WI 53705, USA
⁴ Fralin Biomedical Research Institute at VTC, Virginia Tech, Roanoke, VA 24016, USA
⁵ Department of Mathematics, University of Dallas, Irving, TX, 75062-4736, USA
⁶ Araya Inc. Tokyo, 107-0052, Japan
* Correspondence: wmarshall@brocku.ca (WM); gtononi@wisc.edu (GT)

Abstract: Integrated information theory (IIT) starts from consciousness itself and identifies a set of properties (axioms) that are true of every conceivable experience. The axioms are translated into a set of postulates about the substrate of consciousness (called a complex), which are then used to formulate a mathematical framework for assessing both the quality and quantity of experience. The explanatory identity proposed by IIT is that an experience is identical to the cause-effect structure unfolded from a maximally irreducible substrate (a Φ -structure). In this work we introduce a definition for the integrated information of a system (φ_s) that is based on the existence, intrinsicity, information, and integration postulates of IIT. We explore how notions of determinism, degeneracy, and fault lines in the connectivity impact system integrated information. We then demonstrate how the proposed measure identifies complexes as systems whose φ_s is greater than the φ_s of any overlapping candidate systems.

Keywords: integrated information; consciousness; causation; intrinsic

1. Introduction

Integrated information theory starts from the immediate and irrefutable fact that experience exists. The theory then identifies a set of five properties (axioms) that are irrefutably true of every experience: intrinsicity, information, integration, exclusion, and composition [1,2]. The axioms are chosen with the understanding that they should be irrefutably true of every conceivable experience and complete (there are no other essential properties that characterize every experience) [3]. The zeroth axioms of IIT, **Existence**, states that experience *exists*: there is *something*. From there, the remaining axioms are defined as follows:

Intrinsicity Experience is *intrinsic*: it exists *for itself*.

Information Experience is *specific*: it is *the way it is*.

Integration Experience is *unitary*: it is a *whole, irreducible* to separate experiences.

Exclusion Experience is *definite*: it is *this* whole.

Composition Experience is *structured*: it is composed of *distinctions* and the *relations* that bind them together, yielding a *phenomenal structure*.

The axioms are then translated into a set of postulates about the substrate of consciousness (called a complex) [4]. A substrate is a physical system, where physical is understood operationally as something that can be observed and manipulated. Just as the existence of experience is the basis for the remaining axioms, the postulates build off of a basic requirement for physical **Existence** (the zeroth postulate): to exist, the substrate of consciousness must have *cause-effect power*: there must be units that can *take and make a difference*. The remaining postulates are translations of the axioms in terms of cause-effect power:



Citation: Marshall, W.; Grasso, M.; Mayner, W.; Zaeemzadah, A.;

Barbosa, L.; Chastain, E.; Findlay, G.; Sasai, S.; Albantakis, L.; Tononi, G.

System Integrated Information.

Preprints 2023, 1, 0. <https://doi.org/>



Copyright: © 2022 by the authors. Licensee MDPI, Basel, Switzerland. This article is an open access article distributed under the terms and conditions of the Creative Commons Attribution (CC BY) license (<https://creativecommons.org/licenses/by/4.0/>).

Intrinsicity The substrate of consciousness must have *intrinsic* cause–effect power: it must take and make a difference *within itself*.

Information The substrate of consciousness must have *specific* cause–effect power: it must select a specific *cause–effect state*.

Integration The substrate of consciousness must have *unitary* cause–effect power: it must specify its cause–effect state as *a whole* set of units, *irreducible* to separate subsets of units.

Exclusion The substrate of consciousness must have *definite* cause–effect power: it must specify its cause–effect state as *this* set of units.

Composition The substrate of consciousness must have *structured* cause–effect power: subsets of its units must specify cause–effect states over subsets of units (*distinctions*) that can overlap with one another (*relations*), yielding a *cause–effect structure*.

To assess whether (and if so, how) a substrate satisfies the postulates requires a mathematical framework for assessing cause–effect power [4]. In particular, the mathematical framework must define a measure of the irreducible cause–effect power of a system—the system integrated information (φ_s). System integrated information is based on the first four postulates (intrinsicity, information, integration, exclusion), and is used to determine whether or not a system is a complex (whether or not the cause–effect power of the system as a whole is maximally irreducible). The final postulate—composition—requires that we *unfold* in full the cause–effect power of the complex, yielding its cause–effect structure or Φ -structure, as presented in IIT 4.0 [5,6].

The mathematical formulation of IIT has been refined and developed over time, with the goal of fully and accurately capturing the postulates [4,7,8]. Recently, the mathematical framework has been updated by introducing a measure that uniquely satisfies the postulates of existence, intrinsicity, and information [6,9]. Moreover, there is now an explicit assessment of the causal relations among the distinctions specified by a system, as required by composition [10].

In this work, we introduce a definition of φ_s that is consistent with these recent updates, is aligned with the postulates, and can be used to identify complexes. In Section 2, we introduce the mathematical framework for measuring φ_s based on the first four postulates of IIT. In Section 3 we explore the behavior of the measure in several examples, and in Section 4 we summarize the results, discuss implication for IIT, and outline some future directions for research.

2. Theory

In this section we describe the mathematical framework used to assess the cause–effect power of a system. Our starting point is a stochastic system U with state space Ω_U . Systematic interventions (manipulations) and measurements (observations) are used to define a transition probability function for the system,

$$\mathcal{T}_U \equiv p(\bar{u} \mid \text{do}(u)), \quad u, \bar{u} \in \Omega_U,$$

which describes the probability of the observed state \bar{u} given the intervention state u . It is assumed that the units of U are independent given the current state of the system, so that

$$p(\bar{u} \mid (u)) = \prod_{i=1}^{|\mathcal{U}|} p(\bar{u}_i \mid \text{do}(u)), \quad u, \bar{u} \in \Omega_U.$$

The elements of U are random variables that represent the units in the universal substrate (or simply universe) under consideration, and $u \in \Omega_U$ is the current state of the universe. The

goal is to define the system integrated information (φ_s) of a system in a state $S = s \subseteq U = u$ based on the postulates of IIT, and use it to identify complexes.

2.1. Intrinsicity

For a system S to exist, it must be possible for something to change its state, and it must be able to change the state of something—it must have cause-effect power. For a system to exist intrinsically, it must have cause-effect power within itself. Thus, we consider the cause-effect power the system $S = s \subseteq U = u$ has over itself. To this end, we *causally condition* on all units outside of the system ($W = U \setminus S$) in their current state (w), which are considered as *background conditions*, and only consider the conditional transition probabilities

$$\mathcal{T}_S \equiv p(\bar{s} \mid \text{do}(s)) = p(\bar{s} \mid \text{do}(s), \text{do}(w)), \quad s, \bar{s} \in \Omega_S, \quad (1)$$

throughout the causal analysis.

2.2. Information

The information postulate states that a system must select a specific cause-effect state. To identify the specific cause-effect state, we quantify the intrinsic information that the system, in its current state s , specifies about each possible cause or effect state $\bar{s} \in \Omega_S$.

Intrinsic information is defined as a product of two terms, *informativeness* and *selectivity* [6,9]. The informativeness term captures cause-effect power by measuring how being in state s increases the probability of an effect state, or how a cause state increases the probability of being in state s , relative to chance (and measured on a log scale). The selectivity term captures the specificity of the cause-effect power by quantifying how it is concentrated over a specific state (at the expense of other states).

The intrinsic effect information is defined as

$$\text{ii}_e(s, \bar{s}) = p_e(\bar{s} \mid s) \log \left(\frac{p_e(\bar{s} \mid s)}{p_e(\bar{s})} \right),$$

where the p_e s are the effect repertoires of the system. The constrained repertoire $p_e(\bar{s} \mid s)$ is a conditional probability distribution derived from Eqn. 1 that describes how the system S , by being in state s , constrains its potential effect state $\bar{s} \in \Omega$, and the unconstrained repertoire $p_e(\bar{s})$ is the marginal distribution of effect states arising from a uniform distribution of intervention states (see Appendix A). The use of a uniform distribution of intervention states is required to accurately capture its full cause-effect power [11,12].

The intrinsic cause information is defined as

$$\text{ii}_c(s, \bar{s}) = p_c(\bar{s} \mid s) \log \left(\frac{p_c(s \mid \bar{s})}{p_c(s)} \right),$$

where the p_c is the corresponding cause repertoire of the system. The cause repertoire inverts the effect repertoire (using Bayes' Theorem), based on a uniform marginal distribution of the intervention state (see Appendix A). Note that for both the cause and effect intrinsic information, the informativeness term uses the effect repertoire to capture how the system increases the probability of a state; however, for ii_e it is the probability of the effect state given the current state of the system, while for ii_c it is the probability of the current state of the system given the cause state.

Together, informativeness and selectivity define a measure that is sub-additive [9]. When the system is fully selective ($p_{c/e}(\bar{s} \mid s) = 1$), the measure is additive over units, meaning the cause-effect power over the system is equal to the sum of the cause-effect power over individual units (expansion). However, when the cause-effect power of the system is not fully selective

$(p_{c/e}(\bar{s} | s) < 1)$, the cause-effect power of the system is less than the sum of the cause-effect power over individual units (dilution). This occurs because the cause-effect power is spread over multiple possible states, yet the system must select one.

The intrinsic information of a system about a state \bar{s} is a measure of its specific cause-effect power, and as such a measure of specific existence. To identify the specific state selected by the system, IIT appeals to the principle of maximal existence [5]. The principle states that, with respect to essential requirements for existence, what exists is what exists the most. Accordingly, the cause and effect states specified by a complex are defined as the ones that maximize the intrinsic cause and effect information,

$$s'_{c/e} = \operatorname{argmax}_{\bar{s} \in \Omega_S} \operatorname{ii}_{c/e}(s, \bar{s})$$

2.3. Integration

The integration postulate states that the cause-effect power of a complex must be unitary: it must specify its cause-effect state as a whole set of units, *irreducible* to separate subsets of units. From the information postulate, we have already identified the cause-effect state specified by the system (s'_c and s'_e). To evaluate irreducibility, we ask whether the system specifies its cause-effect state in a way that is irreducible to separate parts. To do so, we cut the system into parts using directional partitions (see Appendix A), and measure the difference the cut makes to the intrinsic information specified by the system over its cause-effect state.

A directional partition is a partition of the system S into $K \geq 2$ parts, such that each part has either its inputs, outputs, or both cut away from the rest of the system. A partition θ of S has the form

$$\theta = \{S_{\delta_1}^{(1)}, S_{\delta_2}^{(2)}, \dots, S_{\delta_K}^{(K)}\},$$

where $\{S^{(i)}\}$ is a partition of S ,

$$S^{(i)} \neq \emptyset, \quad S^{(i)} \cap S^{(j)} = \emptyset, \quad \bigcup_{i=1}^K S^{(i)} = S,$$

and each $\delta_i \in \{\leftarrow, \rightarrow, \leftrightarrow\}$ indicates whether its inputs (\leftarrow), outputs (\rightarrow), or both (\leftrightarrow) are cut. For a system S , we define the set of all possible directional partitions as $\Theta(S)$.

Together, integration and existence require that, for every possible part of the system, the rest of the system both makes a difference to it (produces an effect) and takes a difference from it (bears a cause). To assess this, we need directional partitions (see Appendix A for an example).

Given a partition $\theta \in \Theta(S)$, we define a partitioned transition probability function (\mathcal{T}_S^θ) and corresponding partitioned effect repertoires (p_e^θ) to describe the cause-effect power that remains after cutting the indicated inputs and outputs (see Appendix A). The partitioned effect repertoires describe the probability of an effect state given a current state (or the probability of a current state given a cause state) after the connections between parts have been cut. The integrated cause or effect information of the system S over the partition θ , is defined as the intrinsic cause or effect information of S , with informativeness defined relative to the partitioned repertoire instead of the unconstrained repertoire. Analogous to intrinsic information, the integrated effect information is defined as

$$\varphi_e(s, \theta) = p_e(s'_e | s) \log \left(\frac{p_e(s'_e | s)}{p_e^\theta(s'_e | s)} \right),$$

and the integrated cause information is

$$\varphi_c(s, \theta) = p_c(s'_c | s) \log \left(\frac{p_e(s | s'_c)}{p_e^\theta(s | s'_c)} \right).$$

The integrated information of a system is a measure of its irreducible, specific cause-effect power, and as such a measure of irreducible, specific existence. To quantify the irreducible cause-effect power of a system, IIT appeals to the principle of minimal existence [5], which complements the principle of maximal existence. The principle of minimal existence states that, with respect to an essential requirement for existence, nothing exists more than the least it exists. Accordingly, since a system must both take and make a difference to exist, the system integrated information for a given partition θ is defined as the minimum of its integrated cause and effect information,

$$\varphi_s(s, \theta) = \min \{ \varphi_c(s, \theta), \varphi_e(s, \theta) \}.$$

Moreover, there are many ways to cut a system into separate parts; by the principle of minimal existence, a system cannot exist as *one* system more than it exists across its weakest link. Accordingly, we define the integrated information to be the intrinsic information of the system relative to its minimum partition θ' ,

$$\varphi_s(s) = \varphi(s, \theta').$$

The minimum partition is the “weakest link” or *fault line* of the system, defined as the partition $\theta \in \Theta(S)$ that minimizes the integrated information relative to the maximum possible integrated information for the given partition,

$$\theta' = \operatorname{argmin}_{\theta \in \Theta(S)} \frac{\varphi_s(s, \theta)}{\max_{\mathcal{T}_S} \varphi_s(s, \theta)}.$$

Relative integrated information quantifies integration as the strength of the connections among parts. It identifies the minimum partition of the system in a way that does not depend on the number of parts and their size. By contrast, the integrated information of the system is an absolute quantity, quantifying the loss of intrinsic information due to the minimum partition of the system. The use of relative integrated information to define the minimum partition explains why we must consider cutting both the inputs and outputs of a part, as well as why we need to partition the system into $K \geq 2$ parts. Although such partitions cut “more” in an absolute sense, they may be identified as the minimum partition if the increase in integration information is outpaced by the increase in maximum possible integrated information, resulting in an overall decreased integration.

For a given $\theta \in \Theta(S)$, the maximum possible value of $\varphi_s(s, \theta)$ is equal to the number of potential connections cut by the partition, as demonstrated in the following theorem:

Theorem 1. *Let $\Theta(S)$ be the set of directional partitions of a system S , and let $\theta \in \Theta(S)$ be any directional partition. For each $S^{(i)} \in \theta$, define $X^{(i)}$ to be the set of units whose output to $S^{(i)}$ has been cut by the partition. The maximum possible value of $\varphi(s, \theta)$ is*

$$\max_{(\mathcal{T}_S)} \varphi_s(s, \theta) = \sum_{i=1}^K |S^{(i)}| |X^{(i)}|$$

See proof in Appendix B

2.4. Exclusion

The exclusion postulate states that the cause-effect power of a complex must be definite—the complex must specify its cause-effect state as a definite set of units (with a definite spatiotemporal grain). But which set? In general, multiple candidate systems with overlapping units may have positive values of φ_s . Based again on the principle of maximal existence, we pick the one that exists the most, in this case the one that exists the most as an irreducible substrate. Accordingly, we identify a complex by finding the maximally irreducible system $S^* = s^* \subseteq U = u$,

$$S^* = \operatorname{argmax}_{S=s \subseteq U=u} \varphi_s(s)$$

with corresponding selected cause and effect states

$$s_{c/e}^* = \operatorname{argmax}_{\bar{s} \in \Omega_{S^*}} \text{ii}_{c/e}(s^*, \bar{s}).$$

In principle, the search should include not only subsets of $U = u$, but also include systems of units with different spatiotemporal grains. For simplicity, in this work we restrict consideration to the grain at which the universe is defined.

The maximally irreducible system S^* is called a complex within U . Any systems overlapping with S^* are then excluded from further consideration. The process of identifying complexes can then be applied recursively to carve U into non-overlapping maximal substrates. It is possible that two or more overlapping systems tie as maximally irreducible. In this situation, neither system is considered definite and the systems exclude each other. The process continues with the two systems removed from consideration. A recursive algorithm for identifying complexes is presented in Appendix C. Note that, in addition to φ_s , there are other aspects of the mathematical framework that could result in a tie. If two or more cause-effect states are tied for having the maximal intrinsic information, then, as an extension of the principle of maximal existence, we take the one that maximizes φ_s . A similar approach is applied if there are two or more partitions tied for the minimum partition. However, if the two states (or two partitions) lead to equal values of φ_s , then it is not necessary to resolve the tie in order to identify complexes.

3. Results and discussion

In this section we compute φ_s for several small systems to highlight properties that influence system integrated information. All computations were performed using the PyPhi package for computing integrated information [13]. The examples will focus on φ_s and identifying complexes (and not on the resulting Φ -structures, but see [5]). The first set of examples explore the role of the intrinsic information of a system (information), the second set of examples explore the role of integrated information (integration), and the third set of examples explores how these aspects combine to yield a maximum of system integrated information (exclusion).

3.1. Example 1: Information

The first set of examples focuses on two factors that influence intrinsic information: determinism and degeneracy [14–16]. A system in a state is called deterministic when it specifies an effect state with probability one. By contrast, a system in a state is nondeterministic if there are multiple potential effect states with non-zero probability. A system in a state is called non-degenerate if it specifies a cause state with probability one. By contrast, a system in a state is degenerate if there are multiple potential cause states with non-zero probability in the cause repertoire.

First, consider a system of four interconnected, deterministic units, each with a unique input-output function (Fig. 1A). The current state of the system is that units $\{A, B, D\}$ are ON, and unit $\{C\}$ is OFF (indicated by the black circles and upper-case labels vs. white circles with lower case labels). The system specifies a unique cause-effect state (Fig. 1B) and as a result has high intrinsic cause and effect information ($ii_c = ii_e = 4$).

To highlight the impact of indeterminism, we present a modified system where unit D is noisy (Fig. 1C). Given the current state of the system, unit D goes into the effect state specified by the system in Fig. 1A with probability 0.6, and it goes into the opposite state with probability 0.4. The indeterminism in unit D reduces the intrinsic information of the system relative to the deterministic system ($ii_c = 1.95$, $ii_e = 1.95$).

To highlight the impact of degeneracy, consider a modified system where the input-output function of unit D is identical to that of unit A (Fig. 1D). In this case, the system is still deterministic, but unit D leads to degeneracy in the system—there are now two cause states that could lead to the current state of the system, both with equal intrinsic information. The intrinsic cause information of these states is reduced compared to the nondegenerate system because the selectivity of the cause states has decreased and the unconstrained probability of the current state has increased ($ii_c = 1.5$). (There are two states tied for the maximum intrinsic information; however, for this system both states lead to the same value of φ_s). The units in this example are still deterministic, but the intrinsic effect information is also reduced because the unconstrained probability of the effect state has increased ($ii_e = 3.0$).

Although determinism is defined by the selectivity of effect states, and degeneracy is defined by the selectivity of cause states, both can have an impact on the intrinsic cause and effect information. In general, higher values of intrinsic information allow for higher values of integrated information. Thus, high determinism and low degeneracy are necessary conditions for high φ_s , although they are not sufficient.

3.2. Example 2: Integration

The second set of examples focuses on the connectivity of the system, and how fault lines in the system reduce integration. For these examples, the universe U is constituted of four units U_i , with state space $\Omega_{U_i} = \{-1, +1\}$ each with sigmoidal activation function

$$p(+1 | u) = \frac{1}{1 + \exp\left(-k \sum_{j=1}^n w_{ji} u_j\right)}, \quad (2)$$

where

$$\sum_{j=1}^n w_{ji} = 1 \quad \forall i.$$

The units can be thought of as noisy threshold units, where each w_{ji} defines the contribution of unit j to the activation function of unit i , k is a noise (determinism) parameter that defines the slope of the sigmoid, and l is a bias for the unit to be ON ($u_i = +1$) or OFF ($u_i = -1$). For these examples we use the value $k = 3$ (moderate noise) and $l = 1$ (unbiased). For simplicity, we consider systems in the all OFF state (white circles, lower case label). We explore the impact of connectivity on φ_s by looking at systems with different weights w_{ji} . To highlight the impact of fault lines per se (as opposed to some combination of fault lines, indeterminism, and degeneracy), for each example we report the integrated information relative to the intrinsic information of the system.

First, consider a system of four units (denoted A, B, C, D) with a cycle of strong connections ($w = 0.4$) and a reverse cycle of slightly weaker connections ($w = 0.3$), a weak self-loop ($w = 0.2$), and even weaker connections to non-neighboring units ($w = 0.1$). The connectivity structure is symmetric, and there are no fault lines in the system (see Fig. 2A). For this

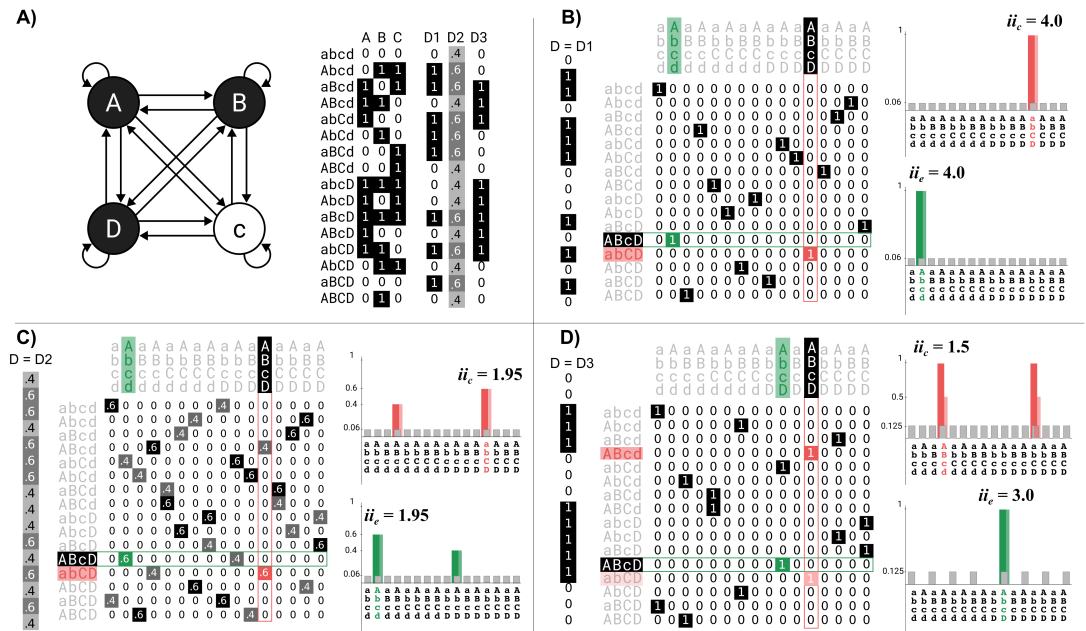


Figure 1. A set of example systems used to explore the impact of indeterminism and degeneracy on system intrinsic information. Dark colored bars and grey bars to the right of the transition probabilities in (B-D) represent the quantities for informativeness (constrained and unconstrained) and light colored bars for selectivity. (A) A base system constituted of four units. The units are all-to-all connected, and each unit has a unique input-output function described in the state-by-node transition probability matrix (each column defines the probability a unit is ON, given the previous state defined by the row). Black circles and capital letters indicate the current state is ON, while white circles with lower case letters indicate the current state is OFF. (B) The state-by-state transition probability matrix (\mathcal{T}_S) of the system in (A), and the corresponding cause and effect repertoires used to identify $s'_{c/e}$. The system is deterministic (one non-zero value in each row), non-degenerate (one non-zero value in each column), and has high values of intrinsic cause and effect information ($ii_c = ii_e = 4$). (C) Same system as in (B), but with unit D noisy, so that it goes into the state specified by system (B) with probability 0.6, and the opposite state with probability 0.4. The system is now non-deterministic (more than one non-zero entry in each row) and degenerate (more than one non-zero entry in each column), and the cause and effect intrinsic information have decreased ($ii_c = 1.95, ii_e = 1.95$). (D) Same system as in (B), but unit D has been changed so that its input-output function is identical to that of unit A. The system is deterministic (one non-zero entry in each row) but degenerate (more than one non-zero entry in each column), and has reduced cause and effect intrinsic information ($ii_c = 1.5, ii_e = 3$).

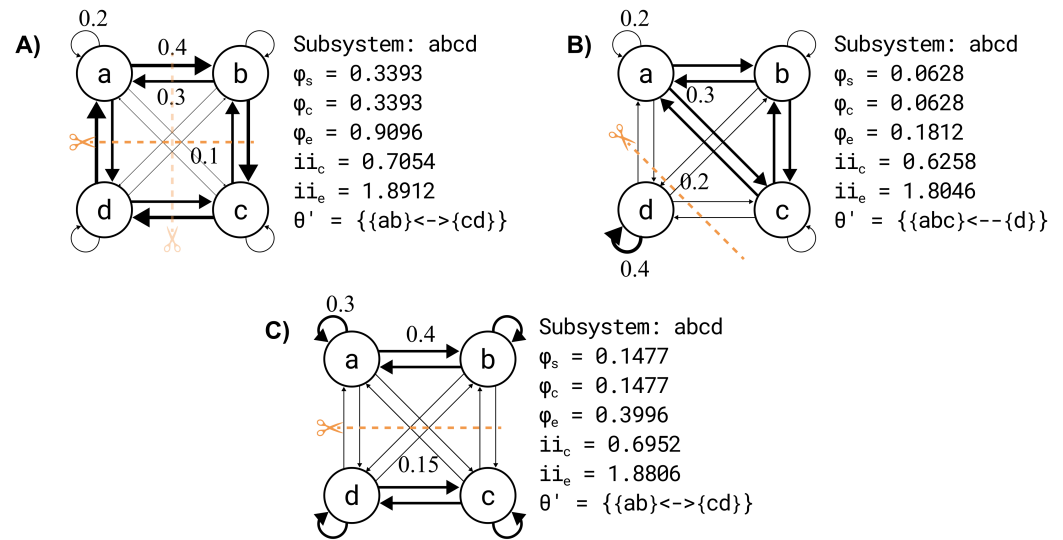


Figure 2. A set of example systems used to explore the impact of connectivity on system integrated information. In this example, the systems are constituted of four units in the OFF state, each with sigmoidal activation function (Eqn. 2; $k = 3, l = 1$) and varying weights. The minimum partition for each system is indicated by the dashed orange line(s). (A) The first system has a symmetric connectivity structure with no fault lines. Two equivalent minimum partitions are identified, cutting $\{AB\}$ away from $\{CD\}$ or $\{AD\}$ away from $\{BC\}$. The integrated information is 48.1% of the intrinsic information. (B) A system with 3 strongly interconnected units $\{A, B, C\}$, and a fourth unit $\{D\}$ that is weakly connected with the rest. A directional partition of $\{ABC\}$ from $\{D\}$ is the minimum partition of the system, and as a result the integrated information is only 10.0% of the intrinsic information. (C) A system with 2 strongly interconnected sets of units $\{AB\}$ and $\{CD\}$ with weak connections between them. Cutting $\{AB\}$ away from $\{CD\}$ (bidirectionally) is the minimum partition of the system, and the resulting integrated information is only 21.2% of the intrinsic information.

system there are two equivalent minimum partitions, either $\theta' = \{\{AB\}_{\leftrightarrow}, \{CD\}_{\leftrightarrow}\}$ or $\theta' = \{\{AD\}_{\leftrightarrow}, \{BC\}_{\leftrightarrow}\}$, and the resulting integrated information is $\varphi_s = 0.3393$ for both. For this system, the integrated cause and effect information are 48.1% of the intrinsic cause and effect information. Note that in general the proportions are not necessarily the same; however, for these examples they are the same because the state of the current state of the system is the same as the selected cause and effect states.

Second, consider a system where three units $\{A, B, C\}$ have strong, bidirectional connections with each other ($w = 0.3$), weaker self-connections and bidirectional connections with D ($w = 0.2$). The remaining unit D has a strong self-connection ($w = 0.4$) and weak bidirectional connections with the other units ($w = 0.2$). For this system, there is a fault line between $\{A, B, C\}$ and $\{D\}$, which is identified by $\theta' = \{\{ABC\}_{\leftarrow}, \{D\}_{\rightarrow}\}$ (see Fig. 2B). The resulting integrated information is $\varphi_s = 0.0628$, and the integrated cause and effect information is 10.0% of the intrinsic cause and effect information.

In the third system, the weights are selected such that the four units form two strongly connected pairs $\{A, B\}$ and $\{C, D\}$, with strong connections within pairs ($w = 0.4$), weak connections between pairs ($w = 0.15$), and moderate strength self-connections ($w = 0.3$). For this system there is a fault line between $\{A, B\}$ and $\{C, D\}$ which is identified by $\theta' = \{\{AB\}_{\leftrightarrow}, \{CD\}_{\leftrightarrow}\}$ (see Fig. 2C). The resulting integrated information is $\varphi_s = 0.1477$, the integrated cause and effect information is 21.2% of the intrinsic cause and effect information.

Thus, while higher values of intrinsic information enable higher values of integrated information, when there are fault lines in the system, integrated information is a lower proportion of the intrinsic information.

3.3. Example 3: Exclusion

The final example demonstrates exclusion, and how a universal substrate condenses into non-overlapping systems with maximally irreducible cause-effect power. For this example, we use a universe U of eight units, where each U_i has the sigmoidal activation function described in Eqn. 2 ($l = 1$). Six of the units, $\{A, B, C, D, E, F\}$, have a moderate level of noise ($k = 2$), and the last two, $\{G, H\}$, have a high level of noise ($k = 0.2$).

Within the universe, there is a cluster of 5 units $\{A, B, C, D, E\}$ with the following connectivity pattern: weak self-connection ($w = 0.025$), strong input from one unit within the cluster ($w = 0.45$), moderate input from one unit within the cluster ($w = 0.225$) and weak input from the other two units in the cluster ($w = 0.1$). The weights are arranged such that the connectivity pattern of the 5-unit cluster is symmetrical, with the strong connections forming a loop ($A \rightarrow B \rightarrow C \rightarrow D \rightarrow E \rightarrow A$; no fault lines; see Fig. 3A). The 5-unit cluster has weak, bidirectional connections with the three units outside the cluster ($w = 0.033$). For the three units not in the cluster $\{F, G, H\}$, unit F has a strong self-connection ($w = 0.769$) and weak inputs from G and H ($w = 0.033$), while G and H have a strong bidirectional connection ($w = 0.769$) and weak self-connections and input from F ($w = 0.033$).

To define complexes within the universe U , we compute the system integrated information for every candidate system $S \subseteq U$ to find S^* , the system that maximizes φ_s (Fig. 3B). Any systems that overlap with S^* are then excluded from future consideration, and the process is applied recursively according to the algorithm in Appendix C. For this universe, the process results in three complexes, $\{F\}$ with $\varphi_s = 0.49$, $\{A, B, C, D, E\}$ with $\varphi_s = 0.12$, and $\{G, H\}$ with $\varphi_s = 0.06$ (see Fig. 3C). In this universe, there are multiple systems with $\varphi_s > 0$ that do not constitute a complex because they overlap a complex with higher φ_s (Fig. 3D).

To understand why the universal substrate condenses in this way, consider a nested sequence of systems $\{A\}, \{A, B\}, \{A, B, C\}, \{A, B, C, D\}, \{A, B, C, D, E\}$. Starting from $\{A\}$, each time a new unit is added to the candidate system, both the intrinsic cause and effect information increase (see Fig. 3E). However, the φ_s values are consistently low for the first four systems in the sequence, because there is always a fault line in the system, and only increases substantially for the five units (see Fig. 3F). By cutting the inputs to the last unit added to the system, we can avoid cutting any strong connections (with $w = 0.45$). When the fifth unit $\{E\}$ is added, the system connectivity is symmetric and there are no longer any fault lines, resulting in an increase in the φ_s value. On the other hand, adding any of $\{F, G, H\}$ to the 5-unit system introduces a new fault line in the system and results in decreased φ_s .

High determinism, low degeneracy, and a lack of fault lines are properties that allow systems to have high φ_s . However, for defining a complex, it is not the absolute value of φ_s that matters, only whether or not it is maximal. The algorithm in Appendix C can be used to carve a universe into non-overlapping maximally irreducible substrates.

4. Conclusion

This work introduces a definition of system integrated information that closely tracks the postulates of IIT in its latest formulation [5]. The main goal of IIT 4.0, compared to previous formulations, is to strengthen the link between the axioms, postulates, and the mathematical framework. The definition of system integrated information relies on a recently introduced measure of intrinsic information, which uniquely satisfies the postulates of existence, intrinsicity, and information [9]. The irreducibility of a system, measured by system integrated

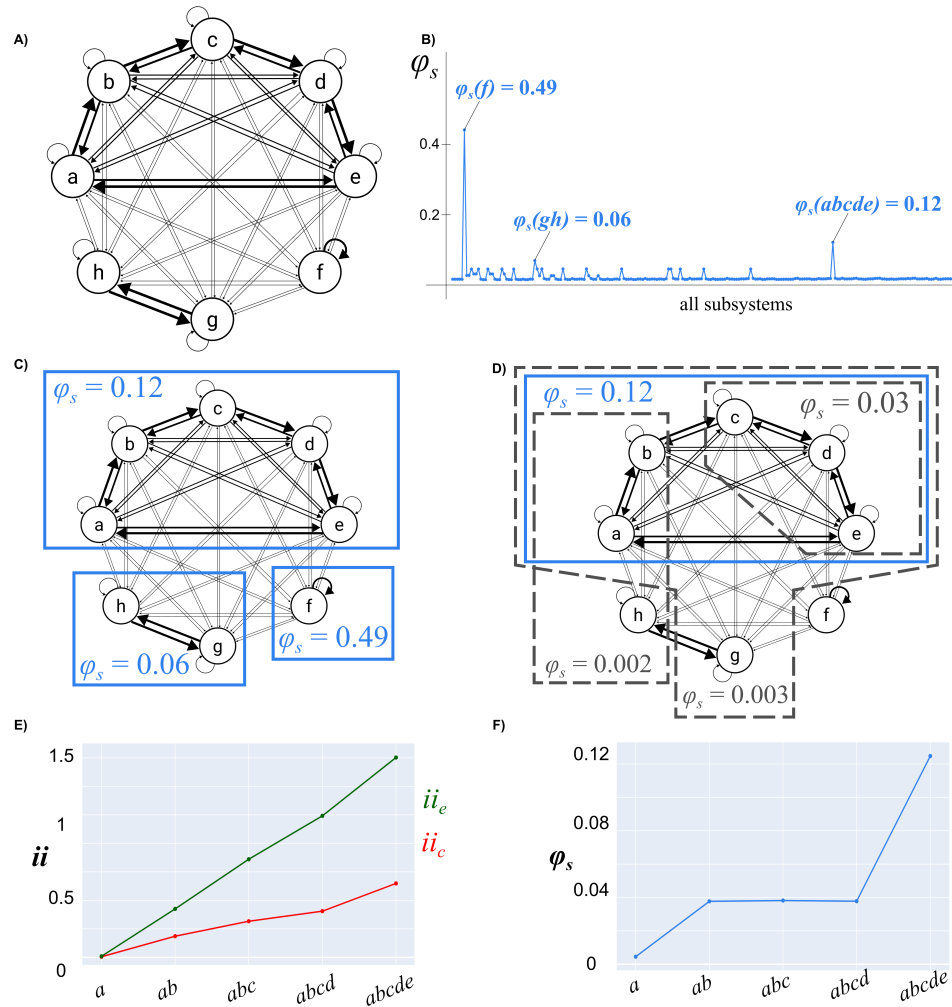


Figure 3. A universal substrate used to explore how degeneracy, determinism, and fault lines impact how it condenses into non-overlapping complexes. (A) A universal substrate of 8 units, each having a sigmoidal activation function (Eqn. 2 ($l = 1$)). Units $\{A, B, C, D, E, F\}$ have a moderate level of determinism ($k = 2$) and units $\{G, H\}$ have a low level of determinism ($k = 0.2$). A cluster of 5 units $\{A, B, C, D, E\}$ has stronger (but varying) connections within the cluster than without, a unit $\{F\}$ has a strong self-connection and weak connections with everything else, and two units $\{G, H\}$ are strongly connected between themselves with weak self-connections and weak connections to the rest of the units. (B) The system integrated information values for the potential systems $S \subseteq U$. (C) The universal substrate condenses into three non-overlapping complexes, $\{A, B, C, D, E\}$, $\{F\}$, and $\{G, H\}$, according to the algorithm in Appendix C. A solid blue line around a set of units indicates that it constitutes a complex. (D) A sample of potential systems (dashed grey outline) that are excluded because they are a subset of a complex ($\{C, D, E\}$), a superset of a complex ($\{A, B, C, D, E, G\}$), or a “paraset”, partially overlapping a complex ($\{A, B, H\}$). Each of these candidate systems has lower φ_s than $\{A, B, C, D, E\}$. (E) The intrinsic cause and effect information of a nested sequence of candidate systems. (F) The integrated information of the systems in (E). The intrinsic information increases with each new unit added to the candidate system, but only when all five units are considered are there no fault lines in the system, leading to a maximum of integrated information.

information, is related to the measure of integrated information for mechanisms within a system, introduced in [6].

In this paper, we employ minimalistic causal models to illustrate key properties of substrates that influence integrated information and ultimately determine whether a substrate is a complex. We first demonstrate that the intrinsic information of a system, and thus its potential for integrated information, is influenced by indeterminism and degeneracy [16]. We then demonstrate how systems with fault lines in their connectivity structure have reduced integrated information, because a lower proportion of their intrinsic information is integrated [17]. Finally, we explore how these aspects (indeterminism, degeneracy, fault lines) influence whether a system is a complex (has maximal φ_s), and how a universal substrate condenses recursively into non-overlapping complexes.

This paper formalizes mathematically how a substrate of consciousness can be identified based on the postulates of existence, intrinsicity, information, integration and exclusion. Once a complex has been identified, its cause-effect power must be *unfolded* in full, as required by the postulate of composition, to yield its Φ -structure, as described in [5]. According to IIT's explanatory identity, the properties of the Φ -structure unfolded from a complex fully account for the specific quality of the experience supported by the complex in its current state.

Forthcoming work will illustrate how bounds for φ_s can be derived and explore the relationship between $\varphi_{c/e}$ and $i_{c/e}$. Future work will also investigate the properties of more realistic networks and establish which aspects of their overall connectivity patterns, local specialization, and intrinsic mechanisms of macro units, allow them to constitute large complexes. This will provide a solid theoretical foundation for testing several predictions of IIT, first among them the prediction that the overall maximum of system integrated information in the human brain should correspond to the substrate of consciousness indicated by clinical and experimental evidence.

Author Contributions: Conceptualization, W.M., L.A., and G.T.; methodology, W.M., L.A., A.Z., L.B., E.C., G.F., S.S.; software, W.G.P.M.; formal analysis, M.G.; proof of theorem, A.Z.; writing—original draft preparation, W.M.; writing—review and editing, L.A. and G.T.; visualization, M.G.; funding acquisition, G.T. All authors have read and agreed to the published version of the manuscript.

Funding: This research was funded by the Tiny Blue Dot Foundation (UW 133AAG3451; G.T.), by the Natural Science and Engineering Research Council of Canada (NSERC; RGPIN-2019-05418; W.M.), and by the Templeton World Charity Foundation (TWCF0216)

Conflicts of Interest: The authors declare no conflict of interest. The funders had no role in the design of the study; in the collection, analyses, or interpretation of data; in the writing of the manuscript; or in the decision to publish the results.

Appendix A. Computations

In this section we give the details of constrained, unconstrained, and partitioned cause and effect repertoires. The repertoires are used to compute system intrinsic information and system integrated information.

Appendix A.1. Cause-Effect Repertoires

First, we introduce the unconstrained effect repertoire. To reveal the full cause-effect power of the system, we start by setting the system, equally likely, into all possible states. Accordingly, the intervention distribution is defined as a uniform distribution over states,

$$p_I(\bar{s}) = |\Omega_S|^{-1}, \bar{s} \in \Omega_S.$$

The unconstrained effect repertoire is the distribution of effect states given a uniform distribution of intervention states,

$$p_e(\bar{s}) = \sum_{s \in \Omega_S} p(\bar{s} | \text{do}(s)) p_I(\bar{s}) = |\Omega_S|^{-1} \sum_{s \in \Omega_S} p(\bar{s} | \text{do}(s)).$$

The cause and effect repertoires are conditional probability distributions which describe how the system S in a current state s constrains the potential cause and effect states. The effect repertoire is defined as

$$p_e(\bar{s} | s) = p(\bar{s} | \text{do}(s)), \bar{s} \in \Omega_S,$$

and then applying Bayes' Theorem, the cause repertoire is defined as

$$p_c(\bar{s} | s) = \frac{p(s | \text{do}(\bar{s})) p_I(\bar{s})}{p_e(s)} = \frac{p(s | \text{do}(\bar{s}))}{\sum_{\hat{s} \in \Omega_S} p(s | \text{do}(\hat{s}))}, \bar{s} \in \Omega_S.$$

Appendix A.2. System partition

A partition cuts units apart, removing any causal constraint the units have on each other. For a directional system partition

$$\theta = \{S_{\delta_1}^{(1)}, S_{\delta_2}^{(2)}, \dots, S_{\delta_K}^{(K)}\} \in \Theta(S),$$

we define a partitioned transition probability function \mathcal{T}_S^θ with the appropriate connections removed (or *cut*). When a connection is cut, the state of the input unit is considered equally likely to be in all possible states when computing the probabilities for the output unit. For each part $S^{(i)}$, let $X^{(i)} \subseteq S$ be the set of units whose outputs to $S^{(i)}$ have been cut by θ ,

$$X^{(i)} = \begin{cases} S \setminus S^{(i)} & \text{if } \delta_i \in \{\leftarrow, \leftrightarrow\} \\ \bigcup_{\substack{j \neq i: \\ \delta_j \in \{\rightarrow, \leftrightarrow\}}} S^{(j)} & \text{if } \delta_i \in \{\rightarrow\}, \end{cases}$$

and $Y^{(i)}$ the set of units whose outputs to $S^{(i)}$ are left intact,

$$Y^{(i)} = S \setminus X^{(i)}.$$

Then we can define the transition probabilities for the partitioned system,

$$\mathcal{T}_S^\theta \equiv p^\theta(\bar{s} | \text{do}(s)), \quad \bar{s}, s \in \Omega_S$$

as

$$p^\theta(\bar{s} | \text{do}(s)) = \prod_{j=1}^{|\bar{S}|} p^\theta(\bar{s}_j | \text{do}(s)), \quad \bar{s}, s \in \Omega_S,$$

where for every unit S_j in part $S^{(i)}$, denoting $Y^{(i)} = y$ to be the state of the intact connections to $S^{(i)}$,

$$p^\theta(\bar{s}_j | \text{do}(s)) = \frac{1}{|\Omega_{X^{(i)}}|} \sum_{x \in \Omega_{X^{(i)}}} p(\bar{s}_j | \text{do}(x), \text{do}(y)).$$

Given a partitioned transition probability function $p^\theta(\bar{s} \mid \text{do}(s))$, the partitioned effect repertoires can be computed using the same procedure from A.

Integration and existence require that, for every possible part of the system, the rest of the system both makes a difference to it (produces an effect) and takes a difference from it (bears a cause). To see why we need directional partitions to assess this, consider a situation where a partition of the system includes a part $S^{(1)}$, such that there are connections from the system to $S^{(1)}$, but no connections from $S^{(1)}$ back to the rest of the system. For an undirected partition (cutting all connections across the parts), we would see a difference in the cause-effect power of the system — specifically, cutting the connections from the rest of the system to $S^{(1)}$ would change the probability of the effect state of the system. However, since $S^{(1)}$ has no connections to any other part of the system, the system should not be considered as specifying its effect state as a whole because $S^{(1)}$ has no way to contribute to specifying the state of the other parts of the system. By contrast, if we apply a directed partition that cuts only the potential outputs from $S^{(1)}$ (of which there are none), this results in no difference to the cause-effect power. Only by performing directed partitions can we capture that $S^{(1)}$ has no role in specifying the effect state of the rest of the system.

Appendix B. Proof of Theorem 1

Theorem 1 presents a bound for $\varphi_s(s, \theta)$ for any given partition $\theta \in \Theta(S)$, where $\Theta(S)$ is the set of directional partitions of a system S . Using the definitions of $\varphi_s(s, \theta)$ and $\varphi_e(s, \theta)$ we have:

$$\begin{aligned} \varphi_s(s, \theta) &= \min \{ \varphi_c(s, \theta), \varphi_e(s, \theta) \} \leq \varphi_e(s, \theta) = p_e(s'_e \mid s) \log \left(\frac{p_e(s'_e \mid s)}{p_e^\theta(s'_e \mid s)} \right) \\ &\leq \log \left(\frac{p_e(s'_e \mid s)}{p_e^\theta(s'_e \mid s)} \right), \end{aligned}$$

with equality achievable if $\varphi_e(s, \theta) \leq \varphi_c(s, \theta)$ and $p_e(s'_e \mid s) = 1$. We can further employ the conditional independence of units (Eqn. 2) and write $p_e(s'_e \mid s)$ and $p_e^\theta(s'_e \mid s)$ as the product over the individual units. Since the parts, $S^{(i)}$, $i = 1, \dots, K$, are disjoint, we can group the nodes by the parts. Since we focus on the effect part of the equation, we drop the e in s'_e to simplify the notation

$$\begin{aligned} \varphi_s(s, \theta) &\leq \log \left(\frac{\prod_{i=1}^K \prod_{s_j \in S^{(i)}} p(s'_j \mid \text{do}(s))}{\prod_{i=1}^K \prod_{s_j \in S^{(i)}} p^\theta(s'_j \mid \text{do}(s))} \right) \\ &= \sum_{i=1}^K \sum_{s_j \in S^{(i)}} \log \left(|\Omega_{X^{(i)}}| \frac{p(s'_j \mid \text{do}(s))}{\sum_{x \in \Omega_{X^{(i)}} p(s'_j \mid \text{do}(x), \text{do}(y))} } \right) \end{aligned}$$

Since all the terms in $\sum_{x \in \Omega_{X^{(i)}}} p(s'_j \mid \text{do}(x), \text{do}(y))$ are nonnegative and one of the terms is $p(s'_j \mid \text{do}(s))$, we have:

$$\varphi_s(s, \theta) \leq \sum_{i=1}^K \sum_{s_j \in S^{(i)}} \log |\Omega_{X^{(i)}}| = \sum_{i=1}^K \sum_{s_j \in S^{(i)}} |X^{(i)}| = \sum_{i=1}^K |S^{(i)}| |X^{(i)}|,$$

with equality achievable if, for all i and S_j , all the terms in $\sum_{x \in \Omega_{X^{(i)}}} p(s'_j \mid \text{do}(x), \text{do}(y))$ are zero, except $p(s'_j \mid \text{do}(s))$. It is worthwhile to mention that $p(s'_j \mid \text{do}(s))$ cannot be zero for the selected effect state (a state with probability zero cannot maximize intrinsic information). We note that $|S^{(i)}|$ is the number of units in part i and $|X^{(i)}|$ is the number of units whose outputs

to $S^{(i)}$ have been cut, so $\sum_{i=1}^K |S^{(i)}| |X^{(i)}|$ can be interpreted as the total number of connections cut by θ .

Appendix C. Recursive PSC Algorithm

In this section we present a recursive algorithm for carving a universe U into non-overlapping complexes. The algorithm starts with the powerset of U as candidate complexes. If there is a unique maximum S^* , it is taken as a complex and any candidate system overlapping S^* is removed from consideration. If there are multiple candidate systems tied for the maximum value, then we check if they are overlapping, and if so, remove them from consideration, while the rest are considered complexes.

Algorithm A1 An algorithm for carving a universe U into a set of non-overlapping complexes $\{S^{(i)*}\}$

```

 $\mathcal{U} = \mathbb{P}(U)$ 
 $i = 1$ 
while  $\mathcal{U} \neq \emptyset$  do
   $\mathbb{S} = \{S^* \in \mathcal{U} : \varphi(S^*) = \max_{S \in \mathcal{U}} \varphi(S)\}$ 
  if  $|\mathbb{S}| = 1$  then
     $S^{(i)*} = \operatorname{argmax}_{S \in \mathcal{U}} \varphi(S)$ 
     $\mathcal{U} = \mathcal{U} \setminus \{S \in \mathcal{U} : S \cap S^{(i)*} \neq \emptyset\}$ 
     $i = i + 1$ 
  else
     $\mathbb{T} = \{S \in \mathbb{S} : \exists S' \in \mathbb{S} \text{ with } S \neq S' \text{ and } S \cap S' \neq \emptyset\}$ 
     $\mathcal{U} = \mathcal{U} \setminus \mathbb{T}$ 
     $\mathbb{S} = \mathbb{S} \setminus \mathbb{T}$ 
    if  $|\mathbb{S}| > 0$  then
      for  $S \in \mathbb{S}$  do
         $S^{(i)*} = S$ 
         $\mathcal{U} = \mathcal{U} \setminus \{S \in \mathcal{U} : S \cap S^{(i)*} \neq \emptyset\}$ 
         $i = i + 1$ 
      end for
    end if
  end if
end while

```

References

1. Tononi, G.; Boly, M.; Massimini, M.; Koch, C. Integrated information theory: from consciousness to its physical substrate. *Nature Reviews Neuroscience* **2016**, *17*, 450–461.
2. Tononi, G.; Koch, C. Consciousness: here, there and everywhere? *Philosophical Transactions of the Royal Society B: Biological Sciences* **2015**, *370*.1668, 20140167.
3. Tononi, G. Integrated information theory. *Scholarpedia* **2015**, *10*, 4164.
4. Oizumi, M.; Albantakis, L.; Tononi, G. From the phenomenology to the mechanisms of consciousness: integrated information theory 3.0. *PLoS computational biology* **2014**, *10*, e1003588.
5. Albantakis, L.; Barbosa, L.; Findlay, G.; Grasso, M.; Haun, A.M.; Marshall, W.; Mayner, W.G.; Zaeemzadeh, A.; Boly, M.; Juel, B.E.; et al. Integrated information theory 4.0: A comprehensive overview. *submitted* **2022**.
6. Barbosa, L.S.; Marshall, W.; Albantakis, L.; Tononi, G. Mechanism integrated information. *Entropy* **2021**, *23*, 362.
7. Balduzzi, D.; Tononi, G. Integrated information in discrete dynamical systems: motivation and theoretical framework. *PLoS computational biology* **2008**, *4*, e1000091.
8. Tononi, G. An information integration theory of consciousness. *BMC neuroscience* **2004**, *5*, 42.
9. Barbosa, L.S.; Marshall, W.; Streipert, S.; Albantakis, L.; Tononi, G. A measure for intrinsic information. *Scientific Reports* **2020**, *10*, 1–9.
10. Haun, A.; Tononi, G. Why does space feel the way it does? Towards a principled account of spatial experience. *Entropy* **2019**, *21*, 1160.
11. Albantakis, L.; Tononi, G. Causal composition: Structural differences among dynamically equivalent systems. *Entropy* **2019**, *21*, 989.
12. Albantakis, L.; Marshall, W.; Hoel, E.; Tononi, G. What caused what? A quantitative account of actual causation using dynamical causal networks. *Entropy* **2019**, *21*, 459.
13. Mayner, W.; Marshall, W.; Albantakis, L.; Findlay, G.; Marchman, R.; Tononi, G. PyPhi: A toolbox for integrated information theory. *PLoS Computational Biology* **2018**, *14*, e1006343.
14. Tononi, G.; Sporns, O.; Edelman, G.M. Measures of degeneracy and redundancy in biological networks. *Proceedings of the National Academy of Sciences* **1999**, *96*, 3257–3262.
15. Hoel, E.P.; Albantakis, L.; Tononi, G. Quantifying causal emergence shows that macro can beat micro. *Proceedings of the National Academy of Sciences* **2013**, *110*, 19790–19795.
16. Hoel, E.P.; Albantakis, L.; Marshall, W.; Tononi, G. Can the macro beat the micro? Integrated information across spatiotemporal scales. *Neuroscience of Consciousness* **2016**, *2016*, niw012.
17. Marshall, W.; Albantakis, L.; Tononi, G. Black-boxing and cause-effect power. *PLoS Computational Biology* **2018**, *14*.