

# GeneFormer: Learned Gene Compression using Transformer-based Context Modeling

Zhanbei Cui<sup>1,2\*</sup>, Yu Liao<sup>1,3</sup>, Tongda Xu<sup>1</sup>, Yan Wang<sup>1†</sup>

<sup>1</sup>Institute for AI Industry Research (AIR), Tsinghua University

<sup>2</sup>Beijing University of Posts and Telecommunications

<sup>3</sup>University of Science and Technology of China

## Abstract

With the development of gene sequencing technology, an explosive growth of gene data has been witnessed. And the storage of gene data has become an important issue. Traditional gene data compression methods rely on general software like G-zip, which fails to utilize the interrelation of nucleotide sequence. Recently, many researchers begin to investigate deep learning based gene data compression method. In this paper, we propose a transformer-based gene compression method named GeneFormer. Specifically, we first introduce a modified transformer structure to fully explore the nucleotide sequence dependency. Then, we propose fixed-length parallel grouping to accelerate the decoding speed of our autoregressive model. Experimental results on real-world datasets show that our method saves 29.7% bit rate compared with the state-of-the-art method, and the decoding speed is significantly faster than all existing learning-based gene compression methods.

## 1 Introduction

DNA is the main hereditary substance of biological object. The study on DNA is the basis of exposing biological heredity secrets (Chen 1999). The order of nucleotides (or bases) in DNA (including adenine, guanine, cytosine and thymine) contains most of the genetic information. Gene sequencing technology enables detection of the nucleotides order in DNA sequence. The first method of sequencing DNA in the world was invented by Frederick Sanger (Sanger, Nicklen, and Coulson 1977). From then on, with the rapid development of chemistry and bio-informatics, gene sequencing is becoming cheaper and faster. It is conceivable that there is a lot of DNA sequencing data generated every day. Data from the SRA (Kodama, Shumway, and Leinonen 2012) (Sequence Read Archive) sub-database in NCBI (National Center for Biotechnology Information) shows that since 2007, the total amount of sequencing data has shown an exponential growth, doubling every 12 to 18 months, and once exceeded Moore’s Law. Therefore, how to efficiently store DNA sequencing data has become an important issue. For convenience, we call nucleotide base for shot, and abbrevi-

ate the four kinds of nucleotide adenine, guanine, cytosine and thymine to A, G, C and T in the remainder of this paper.

DNA fragments carrying genetic information in DNA sequences are called genes, while others are involved in regulating the expression of genetic information or supporting DNA structure. Similar to the problem of natural language processing, each base has relationship with bases near it. However, unlike the natural language processing with a large number of words, DNA sequence is only composed of four kinds of bases of A, G, C, T, and many fragments in the gene data appear repeatedly. It is difficult for human to understand the semantic information in the DNA sequence, for genes are always related to protein structure and DNA structures, which are nowadays not explainable for biologists. Although we can use general compression method to compress DNA sequences, we can obtain a better compression ratio if we can construct a complex model to look for the inner relationship between bases.

At present, G-zip (Deutsch 1996) is the most commonly used compression method for DNA sequencing data. However, G-zip is a general-proposed compression method which does not make good use of the internal correlation in gene sequencing data. There should be a way to exploit the internal characteristics of gene sequencing data to make lossless compression and achieve better compression ratio.

On the other hand, entropy model combined with dynamic arithmetic coding has been applied in many fields of media file compression, such as image compression, audio compression, video compression and so on. Inspired by them, many researchers have began to use this architecture to compress gene sequencing data.

In this paper, we propose a neural network mainly based on transformer structure, which is followed by dynamic arithmetic coding to compress DNA sequencing data. Our main contributions are as follows:

- We are the first to introduce transformer structure for the problem of gene compression.
- Inspired by Perceiver AR (Hawthorne et al. 2022), we introduce latent array into transformer-xl (Dai et al. 2019) for the problem of gene compression.
- We introduce a fixed-length grouping prediction method, so that the model can predict multiple DNA sequencing data at the same time with just a little extra storage cost.

\*This work is done when Zhanbei Cui and Yu Liao are interns at AIR, Tsinghua University

†Yan Wang is the corresponding author.

- Our model outperforms all the compression methods that can be applied to DNA sequencing data in compression ratio, and is significantly faster than all the existing learning-based methods.

## 2 Background

Traditional DNA compression algorithms can be divided into three categories: substitution-based algorithms, statistics-based algorithms, and hybrid algorithms.

### 2.1 Substitution-based compression algorithms

The main idea of substitution-based compression algorithms is to replace the recurring fragments in a sequence with shorter sequences and build a dictionary for them. BioCompress-I (Grumbach and Tahi 1993) encodes repeats and complementary palindromes which can be precisely matched in the DNA sequence. BioCompress-II (Grumbach and Tahi 1994) uses order-2 arithmetic coding for non-repetitive parts on the basis of BioCompress-I. Cfact (Rivals et al. 1996) is similar to BioCompress, encoding a repeat sequence within two scans. Chen, Kwong, and Li (2001) proposed GenCompress that has approximate matching to compress approximately duplicate fragments, which further improves the compression. Chen et al. (Chen et al. 2002) further improved GenCompress by proposing DNACompress. DNACompress first looks up all approximately duplicate sequences and then encodes each repeat in a second scan. DNAPack (Behzadi and Fessant 2005) is another substitution-based compression algorithm which is based on dynamic programming. LFQC (Nicolae, Pathak, and Rajasekaran 2015) divides FASTQ files into three parts, and applies a context mixing algorithm to each of them. Genozip (Pratas et al. 2019) is a fully functional gene compression software, which exploits known relationships between fields to improve compression.

### 2.2 Statistics-based compression algorithms

The statistics-based algorithm achieves compression by establishing probabilistic models for string representation, giving shorter coding length to more frequent characters. Loewenstern et al. proposed CDNA (Loewenstern and Yianilos 1999), which combines existence of inexact matches at various distances into a single prediction. Allison et al. proposed ARM (Allison, Edgoose, and Dix 1998) compression algorithm later. ARM (Allison, Edgoose, and Dix 1998) first matches all repeating sequences from the original sequence and then uses the EM algorithm to calculate the model parameters. Armando et al. proposed MFCompress (Pinho and Pratas 2014) in 2014, which relies on multiple competing finite-context models.

Recently, some researchers have introduced deep learning into the field of gene compression. DeepDNA (Wang et al. 2018) first introduced deep learning into gene compression. The author proposed a neural-network compressor containing a LSTM (Hochreiter and Schmidhuber 1997) module and achieved a good result. However, his model structure is relatively simple, and there is still much room for improvement. Cui et al. (Cui et al. 2020) and Sun et al. (Sun et al.

2021) optimized it from two different perspectives. Influenced by Zhou et al. (Zhou et al. 2016), Cui et al. (Cui et al. 2020) introduces bidirectional LSTM (Wöllmer et al. 2010) and attention mechanism into the algorithm, which improves the effect of the algorithm and cost more time compared to DeepDNA (Wang et al. 2018). Sun et al. (Sun et al. 2021) tried to introduce artificial grouping mechanism into the algorithm, and used Markov chain to reduce the storage space of initial fragment, which reduced time consumption.

### 2.3 Hybrid compression algorithms

The third category combines the advantages of the former two compression methods. For example, CTW-LZ (Matsumoto, Sadakane, and Imai 2000) calculates the compression ratio of both LZ algorithm and CTW algorithm, and selects the algorithm with lower compression ratio to compress the current base. GeNML (Korodi and Tabus 2005) uses alternative principle compression for duplicate DNA fragments, and for other sequences, it uses a context-based encoding method with a special normalized maximum likelihood discrete regression model. COMRAD (Kuruppu et al. 2011) compresses data by passing it for multiple times, and can be applied to large-scale optimization.

7-zip (Pavlov 2012), G-zip (Deutsch 1996) and bzip2 (Seward 1996) are general-purposed data compression software. 7-zip uses Markov chain to maintain a state machine that adjusts the characteristics of the current location during compression. G-zip is based on LZ77 algorithm (Ziv and Lempel 1977), which searches for repeated strings and replaces them by the offset and the length of the matching string. bzip2 is based on the Burrows-Wheeler transformation (Burrows and Wheeler 1994), which achieves lossless compression by changing the order of strings to lower the entropy estimates.

### 2.4 Evaluation of compression algorithms

Generally speaking, there are four evaluation metrics for compression algorithms: compression ratio, time cost, robustness and resource consumption. Among them, compression ratio and time cost are two more important indicators, which are always being compared and illustrated in papers about compression algorithm. Compression ratio is the ratio of the file size between former and later gene data. For gene compression, it is more intuitive to use bpb (bit per base) to measure the compression ratio. Time cost refers to the time taken by the compression algorithm from start to the end of compression. An excellent compression algorithm should have lower bpb and less time cost. Besides, robustness refers to the generalibility of the compression algorithm among different datasets, and resource consumption refers to the amount of system resources occupied by the algorithm during compression.

## 3 Method

### 3.1 Overview

We propose GeneFormer to compress genome sequence data. GeneFormer contains two main components, a CNN-based feature generator to learn a latent representation, a

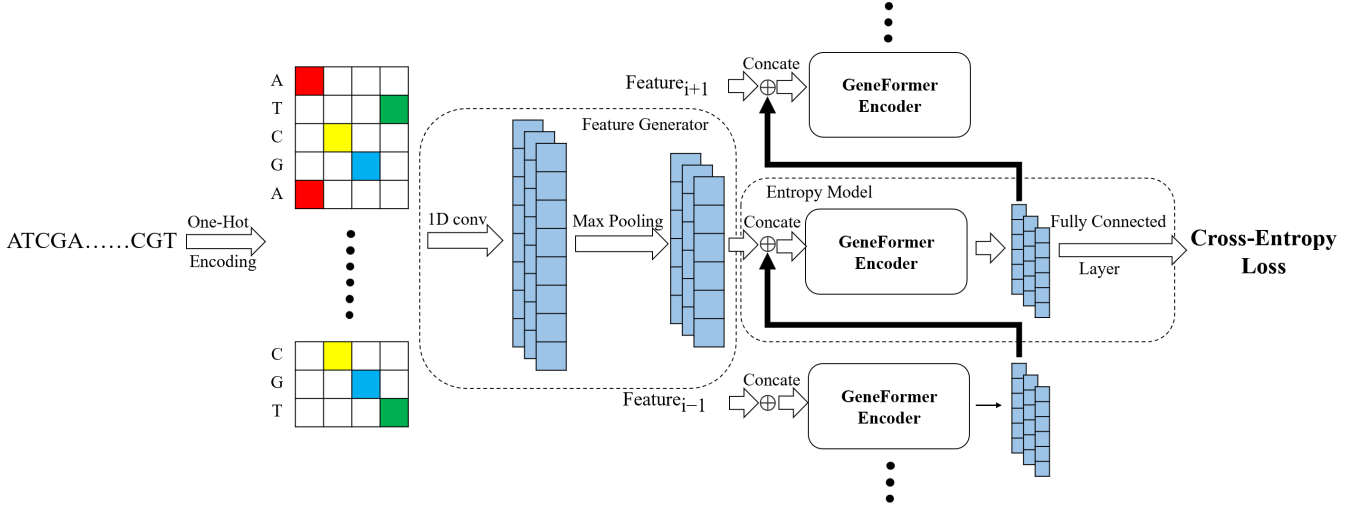


Figure 1: The structure of GeneFormer. GeneFormer is mainly composed of a feature generator and an entropy model. Bases are represented by one-hot encoding before being fed into GeneFormer. GeneFormer predicts the probability of the current base supervised by cross-entropy loss.

transformer-based entropy model followed by a linear layer to predict the probability of the current base. We describe the structure of GeneFormer in Figure 1, and the detailed internal structure of the transformer-based entropy model is shown in Figure 2. It should be noted that we set the number of multiheads to 1 in Figure 2 just for convenience.

As illustrated in Figure 1, GeneFormer receives a sequence of bases adjacent to the current base and calculates the probability of the current base. The bases in sequence is encoded by one-hot coding. After GeneFormer estimates the probability, the dynamic arithmetic coding module accepts the probability and compresses current base into binary bit stream.

**Feature generator.** We adopt a CNN-based feature generator mainly following Cui et al. (2020). 1-D convolutional layer is used to extract the features in the fragment. Subsequently, a Max-Pooling layer can pick out the most important features and reduce computation cost. Detailed description is shown in Table 2.

### 3.2 Transformer-based entropy model

To build the entropy model, we follow the transformer-xl (Dai et al. 2019). We select this architecture mainly because of its ability to solve the long-term dependency problem compared to the original transformer architecture (Vaswani et al. 2017).

Denote the whole gene sequence as  $Z$ , and the  $t^{th}$  input fragment to the feature generator as  $Z_t$ . Then the output of feature generator is feature  $X_t \in \mathbb{R}^{N \times d_m}$  (shown in Fig. 2). The entropy model receives  $X_t$  and model it sequentially.

To extract the context for input feature  $X_t$ , we stack only one transformer encoder in entropy model to yield latent array  $H_t$ , because gene compression is a less complicated question and transformer encoder is a time consuming module. To generate the probability of the current base, a linear

layer is attached to the encoder (shown in Fig. 1).

In transformer, dot product attention is used as the vanilla attention (Vaswani et al. 2017). In Dai et al. (2019), the authors analyse the shortcoming of vanilla transformer that is lack of ability to build long-term dependency, and propose segment-Level recurrence mechanism restoring previous information to solve the problem. Following the standard notation in Dai et al. (2019), we compute the matrix of attention outputs by computing the linear projection of the input  $X_t \in \mathbb{R}^{N \times d_m}$ :

$$Attention(X_t) = \text{Softmax}\left(\frac{X_t W^Q (X_t W^K)^T}{\sqrt{d_k}}\right) X_t W^V \quad (1)$$

where  $W^Q, W^K \in \mathbb{R}^{d_m \times d_k}$  and  $W^V \in \mathbb{R}^{d_m \times d_m}$  are learnable parameters.  $d_k$  is the dimension of  $W^Q$  and  $W^K$ .

To further adapt the transformer-xl encoder in the entropy model for gene compression, we design GeneFormer encoder. The detailed structure of GeneFormer is shown in Figure 2. For vanilla segment-Level recurrence mechanism in transformer-xl, the length of it should be as long as possible to capture remote contextual information. However, in gene compression, we think that current base is mainly correlated to its neighbouring bases. Too long segment-Level recurrence mechanism may increase the computations and slow down the convergence because of introducing too much redundant information. Therefore we cut the length to  $N$ , the same as  $X_t$ . As shown in the ablation experiments in section 4, we prove the effectiveness of this modification.

However, this one-size-fits-all solution is arbitrary. For the sake of over-length gene fragment and inspired by Perceiver AR (Hawthorne et al. 2022), we introduce a latent array in the GeneFormer encoder. As transformer-xl naturally has segment-Level recurrence mechanism, we adapt it as the latent array of our encoder. After every forward propagation of input feature  $X_t$ , the GeneFormer stores the output  $H_t$  of

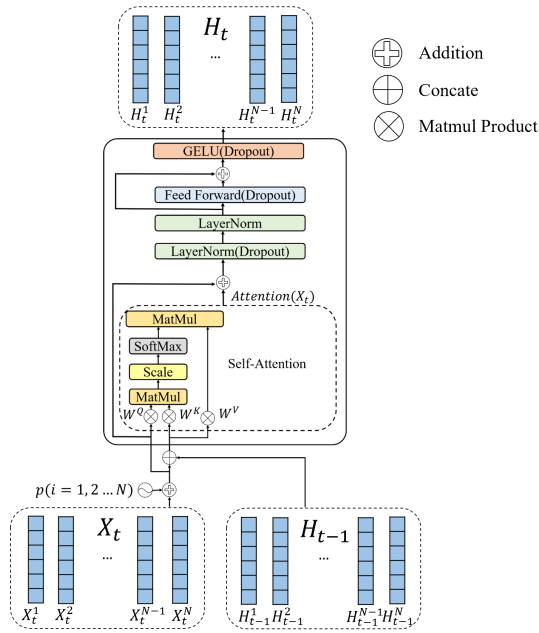


Figure 2: The inner structure of the GeneFormer encoder. For the  $t^{th}$  input fragment  $Z_t$ , the encoder receives feature  $X_t \in \mathbb{R}^{N \times d_m}$  produced by feature generator and outputs latent array  $H_t \in \mathbb{R}^{N \times d_m}$  with the help of  $H_{t-1}$ . To make it easier to understand, we denote  $X_t^i \in \mathbb{R}^{d_m}$  and  $H_t^i \in \mathbb{R}^{d_m}$  as  $i^{th}$  column vector of Matrix  $X_t$  and  $H_t$ .

the encoder as latent array, and concatenates it to the next input feature  $X_{t+1}$ . So that the encoder can restore some remote features connected to the current base with no extra computation. After all the improvements, the attention can be formulated as:

$$\hat{X}_t = [H_{t-1}, X_t];$$

$$Attention(X_t) = \text{Softmax}\left(\frac{X_t W^Q (\hat{X}_t W^K)^T}{\sqrt{d_k}}\right) \hat{X}_t W^V,$$

where  $H_{t-1}$  is the GeneFormer encoder output matrix of original input  $Z_{t-1}$ .  $[\cdot]$  means concatenating in the length dimension. We are the first to introduce transformer-based module into gene compression and achieve great success according to the experiments in section 4.

#### Relative positional encoding.

Positional encoding is firstly proposed in vanilla Transformer (Vaswani et al. 2017) because transformer encoder ignores positional information. We attach this information manually. The formula of positional encoding is

$$g(i, 2j) = \sin\left(\frac{i}{t^{\frac{2j}{d_m}}}\right) \quad (2)$$

$$g(i, 2j+1) = \cos\left(\frac{i}{t^{\frac{2j}{d_m}}}\right) \quad (3)$$

where  $g(\cdot)$  means positional encoding,  $i$  means the index in length,  $d_m$  means the dimension of the feature and  $2j, 2j+$

$1 \in [0, d_m]$  means the index in dimension.  $t$  is set to 10000 in practice.

We mainly follow the relative positional encoding in Dai et al. (2019). Compared with  $i$  and  $j$ , it puts more emphasis on  $i-j$ . As being formulated in Equation 1, before calculating  $\text{softmax}(\cdot)$  and scaling, the attention score  $A_{ij}$  between  $i^{th}$  and  $j^{th}$  token in  $X_t$  can be written as:

$$A_{ij} = (X_t^i + g(i))W^Q((\hat{X}_t^j + g(j))W^K)^T \quad (4)$$

Relative positional encoding reform the original encoding method by using relative position  $g(i-j)$  and introducing two learnable vector parameter  $u$  and  $v$  to replace  $g(j)$ . If noting  $W^Q(W^K)^T$  as  $W$ , then the Equation 4 can be written as:

$$A_{ij} = (X_t^i + u)W(\hat{X}_t^j)^T + (X_t^i + v)Wg(i-j)^T \quad (5)$$

### 3.3 Fixed-length grouping

Serial decoding costs much time, inspired by Sun et al. (2021), we design a fixed-length grouping method to reduce decoding latency. We set the same length for every group to limit storage space increase.

Grouping can reduce time cost because decoder can calculate the probability of several bases from each group at the same time. However, too many numbers of groups will increase bpb (bit per base), because the initial fragment needs extra space to store. In Sun et al. (2021), the author simply divided the gene sequence into groups without careful consideration. We fix the length of bases for all the groups to trade off bpb and decoding latency. We further consider the acceptable extra space consumption and calculate how long each group should be to bear this extra space cost. In this way, the number of the groups depends on the length of the DNA sequence to be compressed, thus our method can fit gene sequence with various lengths.

To better reduce the storage space of the initial fragment, we use static arithmetic coding. We should carefully choose initial fragment that doesn't contain base N which means to be unknown in the dataset (Mishra et al. 2010) so that these sequences only contains A, G, C, T. Each base in the initial segment can be encoded in 2 bits.

### 3.4 Dynamic arithmetic encoding

The arithmetic coding is a kind of lossless compression method approaching the entropy bound of known distributions. We encode the gene sequence using arithmetic coding as described in Algorithm 1.

After getting  $P_L^l$  and  $P_L^r$ , we can easily choose a floating-point number in  $[P_L^l, P_L^r]$  to represent current encoding state. For decoding, the process is just the inverse of the algorithm above.

### 3.5 Encoding and decoding process

The whole encoding and decoding process is illustrated in Figure 2. During encoding, a sequences of bases before the current base is represented by one-hot encoding and fed into GeneFormer to get the probability estimation of current

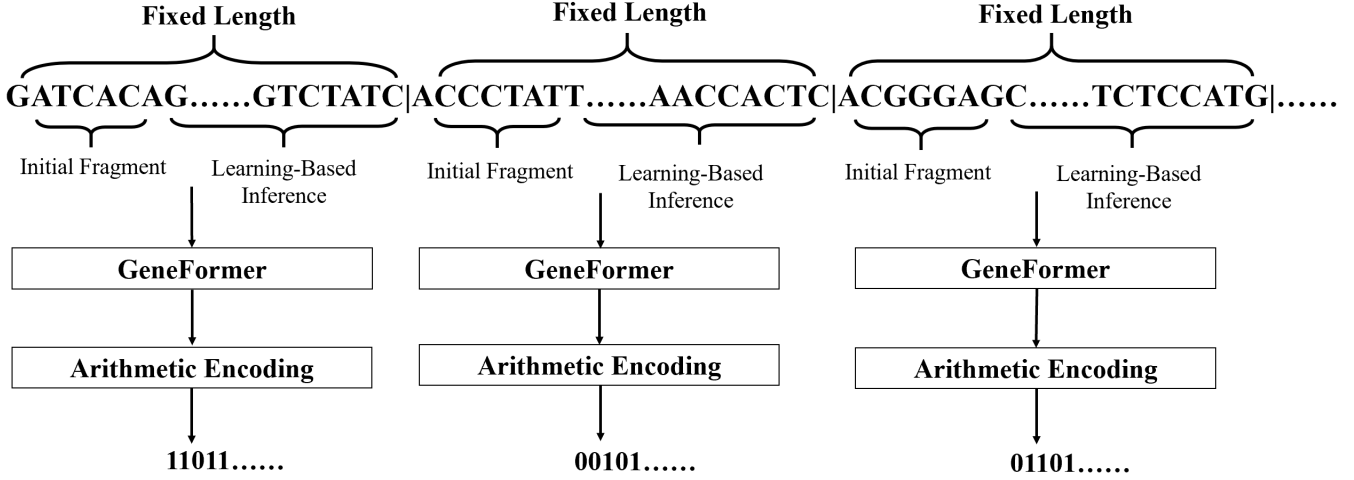


Figure 3: Illustration of the encoding and decoding process in practical application. Bases in the sequence is represented in one-hot encoding before being fed into GeneFormer. GeneFormer predicts the probability of next base, which is used in arithmetic coding.

---

#### Algorithm 1: Dynamic arithmetic encoding

---

**Input:**  $p_i$  means the probability of  $i$ -th base to be A, G, C, T, N.

**Parameter:**  $P_i^l, P_i^r$  means the left and right boundary of the compressed data containing the  $i$ -th base and bases before it,  $p_i^l$  means the sum of the probability in the left of the true  $i$ -th base,  $p_i^r$  means the sum of the probability in the right of the true  $i$ -th base.  $L$  means the length of the data to be compressed.

**Output:** Compressed data

- 1: Arrange A, G, C, T, N in order.
  - 2: Let  $P_0^l = 0, P_0^r = 0, i = 0$ .
  - 3: **while**  $i < L$  **do**
  - 4: Calculate  $p_i^l$  and  $p_i^r$  by  $p_i$ .
  - 5:  $P_{i+1}^l = P_i^l + p_i^l * (P_i^r - P_i^l)$
  - 6:  $P_{i+1}^r = P_i^r - p_i^r * (P_i^r - P_i^l)$
  - 7:  $i = i + 1$
  - 8: **end while**
  - 9: **return**  $P_L^l, P_L^r$
- 

base. Then the current base can be compressed by arithmetic coding. Bases in each fixed-length group are fed into GeneFormer simultaneously. For decoding, a sequences of bases which are already decoded before the current base are sent into the network to predict the probability of current base. Like encoding process, bases from all the groups with same relative position can be decoded simultaneously.

## 4 Experiment

### 4.1 Experimental Settings

**Datasets.** GeneFormer is a learning-based method. We use two datasets in the experiment to prove the superiority of our method. Following DeepDNA (Wang et al. 2018), the first dataset contains 1000 human complete mitochon-

drial sequences with 1,691,705 bases which is downloaded from MITOMAP (Brandon et al. 2005) database. Following Wang et al. (2018), the second dataset contains 2851 mitochondrial sequences of various fish species which is downloaded from National Center for Biotechnology Information (Wheeler et al. 2007) containing 4,564,117 bases. For each dataset, we use 70% of the dataset for training, 20% for validation and 10% for testing. Especially, there are some 'N' bases in the fish dataset meaning to be uncertain according to Mishra et al. (2010). For each current base to be encoded or decoded, we gather 64 bases before it and feed the sequence into GeneFormer.

**Other settings.** We do all the experiments on the same desktop with a RTX 3090Ti in a Ubuntu system. We use PyTorch to implement our method. To allow fair comparison, we mostly follow the experimental settings in Wang et al. (2018) and Cui et al. (2020). We use RMSProp optimizer. The batch size is set to 64 and the initial learning rate is set to 0.001. We do not add any learning rate scheduler, data augmentation or something else because we focus on the network architectures rather than possible improvements brought by training strategy. We run all the experiments for 70 epochs. Our optimization target is a cross-entropy loss. All the GeneFormer experiments have loaded pre-trained model provided by hugging face (Wolf et al. 2020). For the hybrid dataset experiments, we want to explore the generalization ability of our model, so we mix the two datasets and force the model to learn both the datasets at the same time. We set the batch size of each dataset to 64 and concatenate them in the batch dimension. We set the learning rate to 0.002 for these experiments. During training stage, we calculate the bpb score in validation dataset after every training epoch. We show the best results of all the methods in Table 1 which have the best bpb score during validations in the training stage.

**Methods.** Based on the datasets mentioned above, we

compare GeneFormer with multiple methods including (a) G-zip, 7-zip and bzip2, which are popular compression methods, (b) MFCompress (Pinho and Pratas 2014), a traditional and state-of-the-art method in statistics-based compression algorithms. Genozip (Pratas et al. 2019), a state-of-the-art method in substitution-based compression algorithms. (c) DeepDNA (Wang et al. 2018), the first end-to-end algorithm for DNA compression. The method using BiLSTM and attention module (Cui et al. 2020).

## 4.2 Configurations of GeneFormer

Table 2 shows the detailed configuration of GeneFormer. GeneFormer is mainly composed of two parts, feature generator and entropy model (GeneFormer Encoder). Feature generator mainly contains a 1-D convolutional layer and a max-pooling layer to extract and select the most obvious features. BatchNormalization layer and dropout layer are adopted to avoid overfitting. For entropy model, the most important components are self-attention module and feed-forward module containing two linear layers. Besides, layernorm layer and dropout layer are applied. In addition, we use GELU (Hendrycks and Gimpel 2016) as the activation function to avoid vanishing gradient.

In the testing stage, we set the length of each group to 213 thousand. We have to additionally store the starting 64 bases (the initial fragment) for each group, which will cause 0.0006 bpb increase on average.

## 4.3 Compression Performance

Table 1 shows the result of GeneFormer compared with the baselines based on the two datasets in terms of bpb and time cost. We directly use the bpb results in DeepDNA (Wang et al. 2018) and DNA-BiLSTM (Cui et al. 2020). However, for fairness, We implement them in PyTorch to compare the time cost.

GeneFormer outperforms all other compression methods on the two datasets. The bpb of our algorithm without grouping is only 66.2% of the current state-of-the-art learning-based method (Cui et al. 2020), and only 0.7% of the popular G-zip method. Fixed-length grouping can accelerate the process of encoding and decoding but needs extra storage cost. However, The bpb of our algorithm with fix-length grouping is still only 70.3% of the current state-of-the-art learning-based method (Cui et al. 2020), which means our method saves 29.7% bit rate compared with it. This amazing result mainly comes from the GeneFormer encoder which effectively captures the relationship between bases ignoring the direction.

Though our method with fix-length grouping is still slower than traditional methods, GeneFormer outperforms all the learning-based methods in time cost. By applying fixed-length grouping, our method can be accelerated a lot. Furthermore, comparing the results on the two datasets, we can find that when the length of gene sequence data becomes longer, time cost will become more. However, the growth rate of our method with fix-length grouping is significantly below other methods. In fish dataset the number of bases is about 2.7 times the number of bases in human dataset, when the time cost of other methods almost increases by 2.7 times,

our method with fix-length grouping increases less than 1.5 times.

For hybrid dataset experiments whose results are shown in line 10, 11, and 12, when being trained on those two datasets, GeneFormer still performs better than other learning-based methods, even better than DeepDNA trained on one of them dedicatedly, let alone traditional methods. This result proves the good generalization ability of GeneFormer.

**Ablation study.** As illustrated in Table 4, we remove segment-Level recurrence mechanism cut and latent array in order to assess their effectiveness. Results show that both of them are important to reducing bpb score, and the function of latent array is significant.

**Dimension exploration.** To explore the most suitable dimension for the embedding of DNA sequences, we designed three experiments using different dimensions: 384, 768 and 1024, which are often used in natural language processing field. The results show that 768 is a proper dimension for GeneFormer considering the balance between bpb and time cost.

## 5 Conclusion

Facing the challenge of storing gene data, we propose GeneFormer, a transformer based learned gene compression method. Based on transformer-xl encoder, we cut the length of segment-Level recurrence mechanism, introduce the latent array to fit DNA compression task. With GeneFormer, we can extract strong relationships between bases and achieve sota compression ratio. Also, we design a fixed-length grouping method to reduce encoding and decoding time. After applying the grouping method, GeneFormer outperforms all the existing methods in compression ratio and is faster than all the learning-based methods. We experiment on two datasets to prove the superior performance of our model. We also design ablation experiments to show the effectiveness of different components.

In the future, we intend to design better dependency modeling method to further accelerate the encoding and decoding. We will also explore the model structure and training strategy dedicated for DNA data compression.

## References

- Allison, L.; Edgoose, T.; and Dix, T. I. 1998. Compression of strings with approximate repeats. In *ISMB*, 8–16.
- Behzadi, B.; and Fessant, F. L. 2005. DNA compression challenge revisited: a dynamic programming approach. In *Annual Symposium on Combinatorial Pattern Matching*, 190–200. Springer.
- Brandon, M. C.; Lott, M. T.; Nguyen, K. C.; Spolim, S.; Navathe, S. B.; Baldi, P.; and Wallace, D. C. 2005. MITO-MAP: a human mitochondrial genome database—2004 update. *Nucleic acids research*, 33(suppl\_1): D611–D613.
- Burrows, M.; and Wheeler, D. 1994. A block-sorting lossless data compression algorithm. In *Digital SRC Research Report*. Citeseer.

Method Name	Human (bpb)	Human Time Cost	Fish (bpb)	Fish Time Cost
G-zip (Deutsch 1996)	1.4232	0m0.15s	2.4460	0m0.62s
7zip (Pavlov 2012)	0.0910	0m0.38s	1.2371	0m3.43s
bzip2 (Seward 1996)	0.3558	0m0.22s	2.0303	0m0.44s
MFCompress (Pinho and Pratas 2014)	1.5572	0m1.56s	1.4119	0m5.44s
Genozip (Pratas et al. 2019)	0.1360	0m2.36s	1.2869	0m1.87s
DeepDNA (Wang et al. 2018)	0.0336	49m53s	1.3591	133m14s
DNA-BiLSTM (Cui et al. 2020)	0.0145	56m47s	0.7036	146m34s
GeneFormer(ours)	<b>0.0096</b>	82m18s	<b>0.6587</b>	232m57s
GeneFormer+Grouping(ours)	0.0102	<b>19m00s</b>	0.6593	<b>28m24s</b>
DeepDNA (hybrid dataset)	0.0701	-	1.1999	-
DNA-BiLSTM (hybrid dataset)	0.0360	-	1.0550	-
GeneFormer (hybrid dataset)	0.0215	-	0.8634	-

Table 1: Compression performance of various methods.

	Group Name	Output Size
Fearure Generator	1DConv	768 x 41
	Relu	768 x 41
	1DMaxPooling	768 x 13
	BatchNormalization	768 x 13
	Dropout(p=0.1)	768 x 13
GeneFormer Encoder	RelativeAttention	768 x 13
	LayerNorm	768 x 13
	Dropout(p=0.1)	768 x 13
	LayerNorm	768 x 13
	Linear	3072 x 13
	Linear	768 x 13
	Dropout(p=0.1)	768 x 13
	GELUActivation	768 x 13
Dropout(p=0.1)	768 x 13	
Linear	1 x 4	

Table 2: GeneFormer model structure.

	Human (bpb)	Time
GeneFormer (dimension=384)	0.0123	79min11s
GeneFormer (dimension=768)	0.0096	85min05s
GeneFormer (dimension=1024)	0.0113	87min10s

Table 3: Performance of GeneFormer with different dimensions.

Latent Array	Segment Cut	Human (bpb)
	✓	0.0102
✓		0.0122
✓	✓	0.0096

Table 4: Ablation study.

Chen, H. 1999. MOLECULAR CONSTITUTION OF DNA AND ITS METHODS OF DETERMINATION. *Physical Testing and Chemical Analysis Part B Chemical Analysis*.

Chen, X.; Kwong, S.; and Li, M. 2001. A compression algorithm for DNA sequences. *IEEE Engineering in Medicine and Biology Magazine*, 20(4): 61–66.

Chen, X.; Li, M.; Ma, B.; and Tromp, J. 2002. DNACompress: fast and effective DNA sequence compression. *Bioinformatics*, 18(12): 1696–1698.

Cui, W.; Yu, Z.; Liu, Z.; Wang, G.; and Liu, X. 2020. Compressing genomic sequences by using deep learning. In *International Conference on Artificial Neural Networks*, 92–104. Springer.

Dai, Z.; Yang, Z.; Yang, Y.; Carbonell, J.; Le, Q. V.; and Salakhutdinov, R. 2019. Transformer-xl: Attentive language models beyond a fixed-length context. *arXiv preprint arXiv:1901.02860*.

Deutsch, P. 1996. Rfc1952: Gzip file format specification version 4.3.

Grumbach, S.; and Tahi, F. 1993. Compression of DNA sequences. In *[Proceedings] DCC93: Data Compression Conference*, 340–350. IEEE.

Grumbach, S.; and Tahi, F. 1994. A new challenge for compression algorithms: genetic sequences. *Information processing & management*, 30(6): 875–886.

Hawthorne, C.; Jaegle, A.; Cangea, C.; Borgeaud, S.; Nash, C.; Malinowski, M.; Dieleman, S.; Vinyals, O.; Botvinick, M.; Simon, I.; et al. 2022. General-purpose, long-context autoregressive modeling with Perceiver AR. *arXiv preprint arXiv:2202.07765*.

Hendrycks, D.; and Gimpel, K. 2016. Gaussian error linear units (gelus). *arXiv preprint arXiv:1606.08415*.

Hochreiter, S.; and Schmidhuber, J. 1997. Long short-term memory. *Neural computation*, 9(8): 1735–1780.

Kodama, Y.; Shumway, M.; and Leinonen, R. 2012. The Sequence Read Archive: explosive growth of sequencing data. *Nucleic acids research*, 40(D1): D54–D56.

Korodi, G.; and Tabus, I. 2005. An efficient normalized maximum likelihood algorithm for DNA sequence compres-

- sion. *ACM Transactions on Information Systems (TOIS)*, 23(1): 3–34.
- Kuruppu, S.; Beresford-Smith, B.; Conway, T.; and Zobel, J. 2011. Iterative dictionary construction for compression of large DNA data sets. *IEEE/ACM transactions on Computational Biology and Bioinformatics*, 9(1): 137–149.
- Loewenstern, D.; and Yianilos, P. N. 1999. Significantly lower entropy estimates for natural DNA sequences. *Journal of computational Biology*, 6(1): 125–142.
- Matsumoto, T.; Sadakane, K.; and Imai, H. 2000. Biological sequence compression algorithms. *Genome informatics*, 11: 43–52.
- Mishra, K. N.; Aaggarwal, A.; Abdelhadi, E.; and Srivastava, D. 2010. An efficient horizontal and vertical method for online dna sequence compression. *International Journal of Computer Applications*, 3(1): 39–46.
- Nicolae, M.; Pathak, S.; and Rajasekaran, S. 2015. LFQC: a lossless compression algorithm for FASTQ files. *Bioinformatics*, 31(20): 3276–3281.
- Pavlov, I. 2012. 7-Zip. URL <http://www.7-zip.org>.
- Pinho, A. J.; and Pratas, D. 2014. MFCompress: a compression tool for FASTA and multi-FASTA data. *Bioinformatics*, 30(1): 117–118.
- Pratas, D.; Hosseini, M.; Silva, J. M.; and Pinho, A. J. 2019. A reference-free lossless compression algorithm for DNA sequences using a competitive prediction of two classes of weighted models. *Entropy*, 21(11): 1074.
- Rivals, E.; Delahaye, J.-P.; Dauchet, M.; et al. 1996. A guaranteed compression scheme for repetitive DNA sequences. In *Data Compression Conference*, 453–453. IEEE Computer Society.
- Sanger, F.; Nicklen, S.; and Coulson, A. R. 1977. DNA sequencing with chain-terminating inhibitors. *Proceedings of the national academy of sciences*, 74(12): 5463–5467.
- Seward, J. 1996. bzip2 and libbzip2. available at <http://www.bzip.org>.
- Sun, Z.; Wang, M.; Wang, S.; and Kwong, S. 2021. Complexity-Configurable Learning-based Genome Compression. In *2021 Picture Coding Symposium (PCS)*, 1–5. IEEE.
- Vaswani, A.; Shazeer, N.; Parmar, N.; Uszkoreit, J.; Jones, L.; Gomez, A. N.; Kaiser, Ł.; and Polosukhin, I. 2017. Attention is all you need. *Advances in neural information processing systems*, 30.
- Wang, R.; Bai, Y.; Chu, Y.-S.; Wang, Z.; Wang, Y.; Sun, M.; Li, J.; Zang, T.; and Wang, Y. 2018. DeepDNA: A hybrid convolutional and recurrent neural network for compressing human mitochondrial genomes. In *2018 IEEE International Conference on Bioinformatics and Biomedicine (BIBM)*, 270–274. IEEE.
- Wheeler, D. L.; Barrett, T.; Benson, D. A.; Bryant, S. H.; Canese, K.; Chetvernin, V.; Church, D. M.; DiCuccio, M.; Edgar, R.; Federhen, S.; et al. 2007. Database resources of the national center for biotechnology information. *Nucleic acids research*, 36(suppl\_1): D13–D21.
- Wolf, T.; Debut, L.; Sanh, V.; Chaumond, J.; Delangue, C.; Moi, A.; Cistac, P.; Rault, T.; Louf, R.; Funtowicz, M.; Davison, J.; Shleifer, S.; von Platen, P.; Ma, C.; Jernite, Y.; Plu, J.; Xu, C.; Scao, T. L.; Gugger, S.; Drame, M.; Lhoest, Q.; and Rush, A. M. 2020. Transformers: State-of-the-Art Natural Language Processing. In *Proceedings of the 2020 Conference on Empirical Methods in Natural Language Processing: System Demonstrations*, 38–45. Online: Association for Computational Linguistics.
- Wöllmer, M.; Eyben, F.; Graves, A.; Schuller, B.; and Rigoll, G. 2010. Bidirectional LSTM networks for context-sensitive keyword detection in a cognitive virtual agent framework. *Cognitive Computation*, 2(3): 180–190.
- Zhou, P.; Shi, W.; Tian, J.; Qi, Z.; Li, B.; Hao, H.; and Xu, B. 2016. Attention-based bidirectional long short-term memory networks for relation classification. In *Proceedings of the 54th annual meeting of the association for computational linguistics (volume 2: Short papers)*, 207–212.
- Ziv, J.; and Lempel, A. 1977. A universal algorithm for sequential data compression. *IEEE Transactions on information theory*, 23(3): 337–343.