

TPGen: A Self-Stabilizing GPU-Based Method for Prime and Test Paths Generation

Ebrahim Fazli¹ and Ali Ebneenasir²

¹ Department of Computer Engineering, Islamic Azad University, Zanjan, Iran
efazli@znu.ac.ir

² Michigan Technological University, Houghton MI 49931, USA
aebneenas@mtu.edu

Abstract. This paper presents a novel scalable GPU-based method for Test Paths (TPs) and Prime Paths (PPs) Generation, called TPGen, used in structural testing and in test data generation. TPGen outperforms existing methods for PPs and TPs generation in several orders of magnitude, both in time and space efficiency. Improving both time and space efficiency is made possible through devising a new non-contiguous and hierarchical memory allocation method, called Three-level Path Access Method (TPAM), that enables efficient storage of maximal simple paths in memory. In addition to its high time and space efficiency, a major significance of TPGen includes its self-stabilizing design where threads execute in a fully asynchronous and order-oblivious way without using any atomic instructions. TPGen can generate PPs and TPs of structurally complex programs that have an extremely high cyclomatic and Npath complexity.

1 Introduction

This paper presents a scalable GPU-based method for the Generation of all Test Paths (TPs) and Prime Paths (PPs), called TPGen, for structural testing. Complete Path Coverage (CPC) is an ideal testing requirement where all execution paths in a program are tested. However, such coverage may be impossible because some execution paths may be infeasible, and the total number of program paths may be unbounded due to loops and recursion. Lowering expectations, one would resort to testing all simple paths, where no vertex is repeated in a simple path, but the Control Flow Graph (CFG) of even small programs may have an extremely large number of simple paths. Amman and Offut [3] propose the notion of Prime Path Coverage (PPC), where a *prime path* is a *maximal* simple path; a simple path that is not included in any other simple path. PP coverage is an important testing requirement as it subsumes other coverage criteria (e.g., branch coverage) in structural testing. As such, finding the set of all PPs of a program (1) expands the scope of path coverage, and (2) enables the generation of Test Paths (TPs), which are very important in test data generation. This paper presents a scalable approach for the generation of PPs and TPs in structurally complex programs.

Despite the crucial role of PPC in structural testing, there are a limited number of methods that offer effective and efficient algorithms for generating PPs and TPs for complex real-world programs. Amman and Offutt [4] propose a dynamic programming solution for extracting all PPs. Dwarakanath and Jankiti [9] utilize Max-Flow/Min-Cut algorithms to generate minimum number of TPs that cover all PPs. Hoseini and Jalili [13] use genetic algorithms to generate PPs/TPs of CFGs extracted from sequential programs. Sayyari and Emadi [19] exploit ant colony algorithms to generate TPs covering PPs. Sirvastava *et al.* [20] extract a Markov chain model and produce an optimal test set. Bidgoli *et al.* [6] apply swarm intelligence algorithms using a normalized fitness function to ensure the coverage of PPs. Lin and Yeh [15] and also Bueno and Jino [7] present methods based on genetic algorithm to cover PPs. Our previous work [11] generates PPs and TPs in a compositional fashion where we separately extract the PPs of each Strongly Connected Component (SCC) of a Program’s Control Flow Graph (CFG), and then merge them towards generating the PPs of the CFG. Most aforementioned methods are applicable to toy examples and small programs and cannot be utilized for PP coverage of programs that have a high structural complexity; i.e., very large number of PPs. This paper exploits the processing power of GPUs in order to provide a time and space efficient parallel algorithm for the generation of all PPs.

Contributions: The major contributions of this paper are multi-fold. First, we present a novel high-performance GPU-based algorithm for PPs and TPs generation that works in a self-stabilizing fashion. The TPGen algorithm first generates the component graph of the input CFG on the CPU and then processes each vertex of that component graph (each SCC) in parallel on a GPU. TPGen is vertex-based in that each thread T_i is mapped to a vertex v_i and a list l_i of partial paths is associated with v_i . Each thread extends the paths in l_i while ensuring their simplicity. The execution of threads is completely asynchronous. In each iteration, thread T_i updates l_i based on the extension of the paths in the predecessors of v_i , and removes all covered simple paths from l_i . The experimental evaluations of TPGen show that it can generate all PPs of programs with extremely large cyclomatic [16] and Npath complexity [17] in a time and space efficient way. Specifically, TPGen outperforms existing sequential methods up to 3.5 orders of magnitude in terms of time efficiency and up to 2 orders of magnitude in space efficiency for a given benchmark. TPGen achieves such efficiency while ensuring data race-freedom without using ‘atomic’ statements in its design. Moreover, TPGen is self-stabilizing in the sense that the threads start in any order and generate PPs without any kind of synchronization with each other. Such lack of synchronization significantly improves time efficiency but is hard to design due to risk of thread interferences. As a result, we consider the design of TPGen as a model for other GPU-based algorithms, which by itself is a novel contribution. Second, we propose a non-contiguous and hierarchical memory allocation method, called Three-level Path Access Method (TPAM), that enables efficient storage of maximal simple paths in memory. Last but not least, we put forward a benchmark of synthetic programs for evaluating the

structural complexity of programs and for experimental evaluation of PPs/TPs generation methods.

Organization. Section 2 defines some basic concepts. Section 3 states the PPs generation problem. Subsequently, Section 4 presents the TPAM method of memory allocation. Section 5 puts forward a highly time and space-efficient parallel algorithm implemented on GPU for PPs generation. Section 6 presents our experimental results. Section 7 discusses related work. Finally, Section 8 makes concluding remarks and discusses future extensions of this work.

2 Preliminaries

This section presents some graph-theoretic concepts that we utilize throughout this paper. A *directed graph* $G = (V, E)$ includes a set of vertices V and a set of arcs $(v_i, v_j) \in E$, where $v_i, v_j \in V$. A *simple path* p in G is a sequence of vertices v_1, \dots, v_k , where each arc (v_i, v_{i+1}) belongs to E for $1 \leq i < k$ and $k > 0$, and no vertex appears more than once in p unless $v_1 = v_k$. A vertex v_j is *reachable* from another vertex v_i iff (if and only if) there is a simple path that emanates from v_i and terminates at v_j . A SCC in G is a sub-graph $G' = (V', E')$, where $V' \subseteq V$ and $E' \subseteq E$, and for any pair of vertices $v_i, v_j \in V'$, v_i and v_j are reachable from each other. Tarjan [21] presents an algorithm with $O(|V| + |E|)$ time complexity that finds the SCCs of the input graph and constructs its *component graph*. Each vertex of the input graph appears in exactly one of the SCCs. The result is a Directed Acyclic Graph (DAG) whose every vertex is an SCC. A Control Flow Graph (CFG) models the flow of execution control between the basic blocks in a program, where a *basic block* is a collection of program statements without any conditional or unconditional jumps. A CFG is a directed graph, $G = (V, E)$. Each vertex $v \in V$ corresponds to a basic block. Each edge $e = (v_i, v_j) \in E$ corresponds to a possible transfer of control from block v_i to block v_j . A CFG often has a *start vertex* that captures the block of statement starting with the first instruction of the program, and has some *end vertices* representing the blocks of statements that end in a halt/exit/return instruction. Figure 1 illustrates an example method as well as its corresponding CFG (adopted from [5]) for a class in the Apache Commons library.

Definition 1 (PP). A PP is a maximal simple path in a directed graph; i.e., a simple path that cannot be extended further without breaking its simplicity property (e.g., PP $\langle 2, 3, 4, 8, 2 \rangle$ in Figure 1(b)).

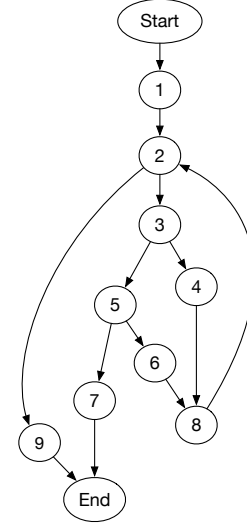
Definition 2 (CompletePP). A PP p from v_s to v_t is a CompletePP iff v_s is the Start vertex of G and v_t is an End vertex in G . (e.g., the PP $\langle \text{Start}, 1, 2, 3, 5, 7, \text{End} \rangle$ in Fig 1(b))

Definition 3 (Component Graph of CFGs). The component graph of a CFG $G = (V, E)$, called CCFG, is a DAG whose vertices are the SCCs of G , and its edges are the set of each arc $(v_i, v_j) \in E$ that starts in an SCC_i and ends in SCC_j (see Fig 2(b)).

```

Start: private static int binarySearch0 (long[] a, int fromI, int toIndex, long key) {
1:   int low = fromIndex;
1:   int high = toIndex - 1;
2:   while (low <= high) {
3:     int mid = (low + high) >>> 1;
3:     long midVal = a[mid];
3:     if (midVal < key)
4:       low = mid + 1;
5:     else if (midVal > key)
6:       high = mid - 1;
7:     else
7:       return mid; // key found
8:   }
9:   return -(low + 1); // key not found.
End: }

```



(a) java.util.Arrays.binarySearch0()

(b) CFG for method (a)

Fig. 1. example method and corresponding CFG

In the following definitions, let $G = (V, E)$ be a CFG and $C = (V_c, E_c)$ be an SCC in the CCFG of G ; i.e., C is a vertex in CCFG of G ,

Definition 4 (SccEntryVertex). A vertex $v_{en} \in V_c$ is an *SccEntryVertex* of C iff $\exists v : v \in V \wedge v \notin V_c : (v, v_{en}) \in E$. (e.g., Vertex 2 in Fig 2(a)).

Definition 5 (SccExitVertex). A vertex $v_{ex} \in V_c$ is an *SccExitVertex* of C iff $\exists v : v \in V \wedge v \notin V_c : (v_{ex}, v) \in E$. (e.g., Vertices 2 and 5 in Fig 2(a)).

Definition 6 (SccEntryExitPath). An *SccEntryExitPath* is an acyclic simple path from $v_{en} \in V_c$ to $v_{ex} \in V_c$, where v_{en} is an *SccEntryVertex* and v_{ex} is an *SccExitVertex* of C . (e.g., path $\langle 2 \rangle$ and $\langle 2, 3, 5 \rangle$ in Fig 2(a)).

Definition 7 (SccExitPath). An *exit path* of C is a simple path that starts in $v_s \in V_c$ and ends in $v_{ex} \in V_c$, where v_s is not an *SccEntryVertex* but v_{ex} is an *SccExitVertex*. We call p an *SccExitPath* iff p is a maximal exit path; i.e., p is not a proper subpath of any other exit path in C . (e.g., path $\langle 3, 5, 6, 8, 2 \rangle$ in Fig 2(a))

Definition 8 (SccEntryPath). An *entry path* of C is a simple path that starts in $v_{en} \in V_c$ and ends in $v_t \in V_c$, where v_{en} is an *SccEntryVertex* but v_t is not an *SccExitVertex*. We call p an *SccEntryPath* iff p is a maximal entry path; i.e., p is not a proper subpath of any other entry path in C . (e.g., the path $\langle 2, 3, 4, 8 \rangle$ in Fig 2(a))

Definition 9 (SccInternalPP). An *SccInternalPP* p of C is a *PP* starting in $v_s \in V_c$ and ending at $v_t \in V_c$. Moreover, if p is acyclic, then it must not start at an *SccEntryVertex* in C or terminate in some *SccExitVertex* in C . (e.g., the *PP* $\langle 3, 4, 8, 2, 3 \rangle$ in Fig 2(a))

Definition 10 (SccExitPP). A *PP* p from v_s to v_t is an *SccExitPP* iff $v_s \in V_c$ and $v_t \in V$ is an *End* vertex of G . (e.g., the *PP* $\langle 3, 5, 6, 8, 2, 9, \text{End} \rangle$ in Fig 2(a))

Definition 11 (SccEntryPP). A *PP* p from v_s to v_t is an *SccEntryPP* iff v_s is the *Start* vertex of G and $v_t \in V_c$. (e.g., the *PP* $\langle \text{Start}, 1, 2, 3, 4, 8 \rangle$ in Fig 2(a))

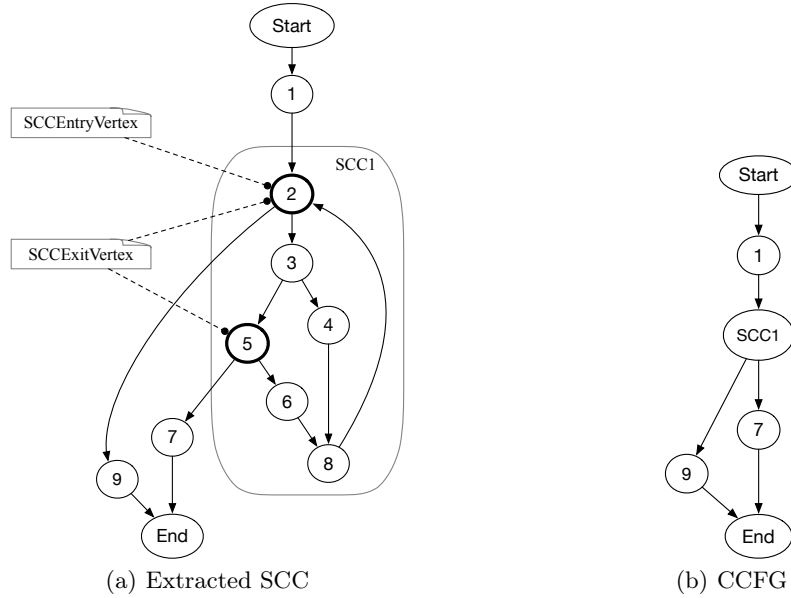


Fig. 2. SCC and CCFG extracted from CFG for Fig 1(b)

2.1 Compositional Method for PPs and TPs Generation

This section represents an overview of the CPU-based compositional method introduced in [11] that provides better time efficiency in comparison with existing methods for PPs generation. The basic idea behind such a compositional method is to (1) compute the component graph of the input CFG, denoted CCFG; (2) generate the set of PPs of CCFG and the set of PPs of each individual SCC in CCFG; (3) extract different types of intermediate paths related to each SCC, and (4) merge the PPs of SCCs to generate all PPs of the original input CFG.

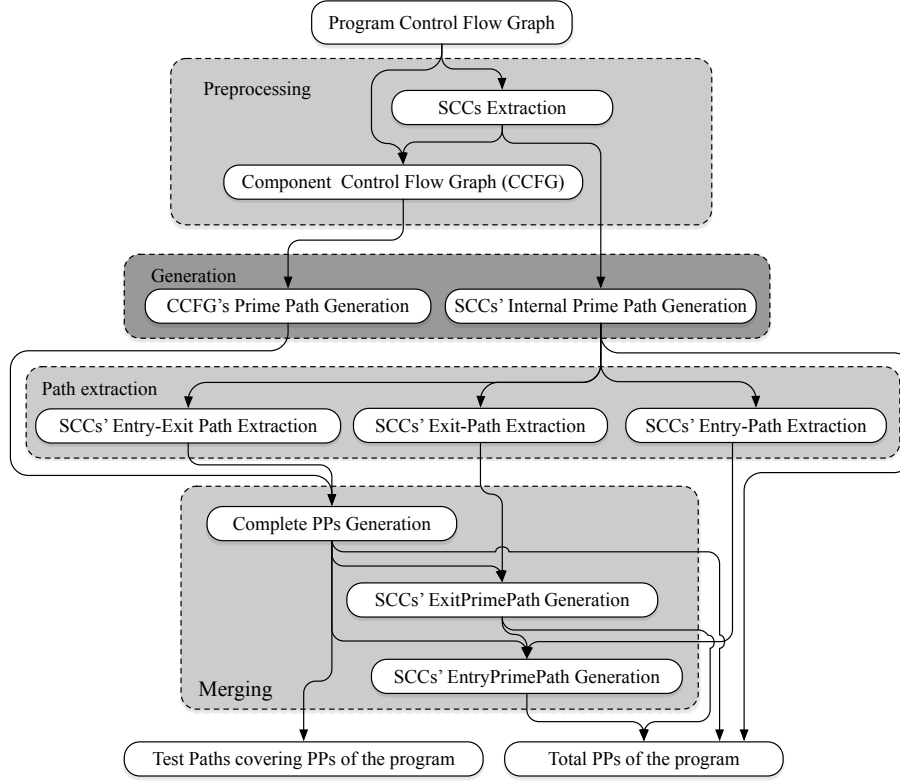


Fig. 3. Overview of the Compositional Method [11]

The proposed method distinguishes four types of PPs defined in Definitions 2, 9, 10 and 11. Figure 3 illustrates the steps of the SCC-based compositional method as well as different types of paths we generate.

Preprocessing. In this phase we first identify the set of all SCCs of the input CFG $G = (V, A)$, and then construct the Component Control Flow Graph (CCFG).

PP Generation. This phase separately generates PPs of all extracted SCCs and the constructed CCFG using the vertex-based algorithm described in [11]. These tasks are accomplished by applying the proposed algorithm of [11] on each SCC with more than one vertex. For example, running the vertex-based algorithm with the CCFG in Figure 2(b) as input yields two PPs $\langle Start, 1, SCC_1, 9, End \rangle$ and $\langle Start, 1, SCC_1, 7, End \rangle$. Moreover, applying this algorithm on the SCC of Figure 2(a), generates 11 internal PPs: $\langle 4, 8, 2, 3, 5, 6 \rangle$, $\langle 3, 5, 6, 8, 2, 3 \rangle$, $\langle 2, 3, 5, 6, 8, 2 \rangle$, $\langle 5, 6, 8, 2, 3, 4 \rangle$, $\langle 8, 2, 3, 5, 6, 8 \rangle$, $\langle 6, 8, 2, 3, 5, 6 \rangle$, $\langle 5, 6, 8, 2, 3, 5 \rangle$, $\langle 4, 8, 2, 3, 4 \rangle$, $\langle 3, 4, 8, 2, 3 \rangle$, $\langle 2, 3, 4, 8, 2 \rangle$, $\langle 8, 2, 3, 4, 8 \rangle$. According to the definition of $SecInternalPPs$, some of the PPs generated for each SCC and

CCFG in this phase do not necessarily belong to the main CFG’s PPs (e.g., acyclic `ScInternalPPs` starting from a `ScEntryVertex` or terminating at a `ScExitVertex`). These types of paths are sub paths of the main CFG’s PPs (which are produced in subsequent phases).

Path extraction. In this phase, we extract `ScEntryExitPaths` (Definition 6), `ScExitPaths` (Definition 7) and `ScEntryPaths` (Definition 8) leveraging corresponding algorithms. The extracted paths are sub paths of the main CFG’s PPs crossing through some SCCs. The `ScEntryExitPaths` extraction algorithm [11] receives the internal PPs of a given SCC, a specified entry vertex v_{en} and a specified exit vertex v_{ex} . Then, this algorithm chooses the longest distinct sub paths starting from v_{en} and ending at v_{ex} . For example, if the `ScEntryExitPaths` extraction algorithm takes those eleven internal PPs of the SCC of Figure 2(a), along with the entry vertex $\{2\}$ and the exit vertices $\{2, 5\}$ as inputs, it extracts $\langle 2 \rangle$ and $\langle 2, 3, 5 \rangle$ as that SCC’s entry exit paths. The first part of each `ScExitPPs` are `ScExitPaths` included in a SCC. We use `ScExitPaths` extraction algorithm [11] to extract all `ScExitPaths`. For all internal PPs of a given SCC, this algorithm reaps all distinguished sub paths starting from first to a specified exit vertex v_{ex} . The paths $\langle 3, 5, 6, 8, 2 \rangle$, $\langle 3, 4, 8, 2 \rangle$, $\langle 4, 8, 2, 3, 5 \rangle$, $\langle 6, 8, 2, 3, 5 \rangle$ are the output of applying this algorithm on the SCC of Figure 2(a), and the exit vertices $\{2, 5\}$.

The fourth type of the main CFG’s PPs are `ScEntryPPs` finishing at a given SCC and beginning from the start vertex or another SCCs. The last part of this PPs (`ScEntryPaths`) belongs to the given SCC. We employ the `ScEntryPaths` extraction algorithm [11] to extract all `ScEntryPaths` in a given SCC. For all internal PPs, this algorithm selects all different longest sub paths starting from a given entry vertex v_{en} to the end. Applying the algorithm on the SCC of Figure 2(a) and the entry vertex $\{2\}$ results in $\langle 2, 3, 4, 8 \rangle$ and $\langle 2, 3, 5, 6, 8 \rangle$ as output.

Merging. The compositional method merges the PPs generated in the previous phase towards generating PPs and TPs. The inputs of this phase include the produced PPs of CCFG and the extracted `ScEntryExit`, `ScExit` and `ScEntry` paths from path extraction phase. All the PPs of the input CFG that pass over some SCCs are produced in this phase. The outputs of the merging phase, therefore, are all `CompletePPs`, `ScExitPPs` and `ScEntryPPs` of the input CFG according to corresponding algorithms.

The method in [11] includes an algorithm that generates all `Complete` PPs. The input of this algorithm consists of PPs of the CCFG along with `ScEntryExit` paths of all SCCs. The output of this algorithm includes all complete PPs of the input CFG crossing through some SCCs. For each PP p of CCFG including any SCC_i , this algorithm replaces SCC_i with those `ScEntryExitPaths` of the SCC_i that can be integrated with p . For example the complete path of CCFG $\langle Start, 1, SCC_1, 7, End \rangle$ of Figure 2 can tour the SCC_1 ’s entry exit path $\langle 2, 3, 5 \rangle$ since there are edges $\{\langle 1, 2 \rangle, \langle 5, 7 \rangle \in E\}$ in the main CFG. These substitutions create new complete PPs of the main CFG. The consequence of running the `CompletePPs` generator algorithm on the CCFG’s PPs $\langle Start, 1, SCC_1, 9, End \rangle$,

$\langle Start, 1, SCC_1, 7, End \rangle$ with SccEntryExit paths $\langle 2 \rangle, \langle 2, 3, 5 \rangle$ of Figure 2 are two complete PPs $\langle Start, 1, 2, 9, End \rangle, \langle Start, 1, 2, 3, 5, 7, End \rangle$ of the input CFG.

The merging phase also extracts all SCC's exit PPs. This task is accomplished by the SccExitPaths generator algorithm of [11]. This algorithm produces all PPs exited from a SCC and finished at an *End* vertex. Assuming the complete PP p leaves SCC_i through an exit vertex v_{ex} , the algorithm selects a subpath called r , from v_{ex} to the end vertex of p . Then, the algorithm merges all SCC_i 's exit paths terminating at v_{ex} with the r . The result of applying the SccExitPaths generator algorithm [11] on the CFG's complete PPs $\langle Start, 1, 2, 9, End \rangle, \langle Start, 1, 2, 3, 5, 7, End \rangle$ with SCC Exit paths $\langle 3, 5, 6, 8, 2 \rangle, \langle 3, 4, 8, 2 \rangle, \langle 4, 8, 2, 3, 5 \rangle, \langle 6, 8, 2, 3, 5 \rangle$ of Figure 2 are four SCC's exit PPs $\langle 3, 5, 6, 8, 2, 9, End \rangle, \langle 3, 4, 8, 2, 9, End \rangle, \langle 4, 8, 2, 3, 5, 7, End \rangle$ and $\langle 6, 8, 2, 3, 5, 7, End \rangle$ for the input CFG.

The fourth type of PPs, SccEntryPPs contain those PPs that emanate from the start vertex or another SCC and end in a given SCC. The SccEntryPPs generator algorithm [11] generates all SccEntryPPs to each SCC. The inputs of this algorithm is the SccEntryPaths, the CompletePPs, and the SccExitPPs. For each CompletePP or SccExitPP p that contains the SCC_i 's entry vertex v_{en} , the algorithm selects a subpath from the beginning to v_{en} called r . Then, this algorithm concatenates all SCC_i 's Entry Paths started by v_{en} with r . The output of running the SccEntryPPs generator algorithm [11] on the CFG's complete PPs $\langle Start, 1, 2, 9, End \rangle, \langle Start, 1, 2, 3, 5, 7, End \rangle$ with SCC entry paths $\langle 2, 3, 4, 8 \rangle, \langle 2, 3, 5, 6, 8 \rangle$ of Figure 2 are two SCC's entry PPs $\langle Start, 1, 2, 3, 4, 8 \rangle, \langle Start, 1, 2, 3, 5, 6, 8 \rangle$ of the main CFG. Finally, by applying the compositional method for PPs and TPs Generation on the CFG Figure 1(b), we reach 19 PPs of all four types: 11 SCC internal PPs, 2 complete PPs, 4 SCC exit PPs, and 2 SCC entry PPs.

3 Problem Statement

Generating PPs of the control flow graphs related to real world programs with a large Npath complexity is an important problem in software structural testing. These types of graphs have a huge number of PPs and processing them under conventional algorithms on CPUs requires a lot of time. Therefore, it is necessary to develop algorithms that, eliminate this weakness and maintain the accuracy of the PP generation while significantly reducing the processing time of the mentioned graphs. In a graph-theoretic setting, the PPs generation problem can be formulated as follows:

Problem 1 (PPs Generation).

- **Input:** A graph $G = (V, E)$ that represents the CFG of a given program, a start vertex $s \in V$ and an end vertex $e \in V$.
- **Output:** The set of PPs finished at each vertex $v \in V$ and the set of TPs covering all PPs.

We note that the complexity of solving Problem is higher when the input graph is an SCC because every vertex is reachable from any other vertex in an SCC, and this drastically increases the number of PPs. For this reason, next section proposes a parallel GPU-based algorithm that extracts the PPs of SCCs in a time and space efficient fashion. The in-degree of s is 0, and out-degree of e is 0. We focus on CFGs where all vertices $v \in V$ except e have a maximum out-degree of 2. Without loss of generality, we can convert a vertex v with an out-degree greater than 2 (i.e, switch case structure) to a vertex with out-degree 2 by adding some new intermediate vertices between v and its successor vertices (see Figure 4).

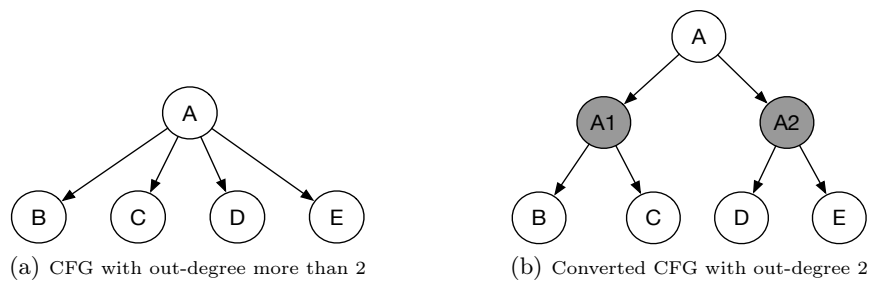


Fig. 4. Generating CFGs with maximum out-degree 2

4 Data Structures

In order to scale up PPs generation, this section presents a parallel compositional method that provides better time efficiency in comparison with existing sequential methods for PPs generation. This section describes a GPU-based PP generation algorithm, the data structure for storing the input CFG, path data structure, and memory allocated to all generated PPs. The input of the PP generation algorithm (Algorithm 3) includes a CFG representing the Program Under Test (PUT). The output of Algorithm 3 is the set of all PPs finished at each vertex $v_i \in V$.

4.1 CFG Data Structure

A matrix is usually stored as a two-dimensional array in memory. In the case of a sparse matrix, memory requirements can be significantly reduced by maintaining only non-zero entries. Depending on the number and distribution of non-zero entries, we can use different data structures. The Compressed Sparse Row (CSR, CRS or Yale format) [10] represents a matrix by a one-dimensional array that supports efficient access and matrix operations. We employ the CSR data structure (see Figure 5) to maintain a directed graph in the global memory of GPUs,

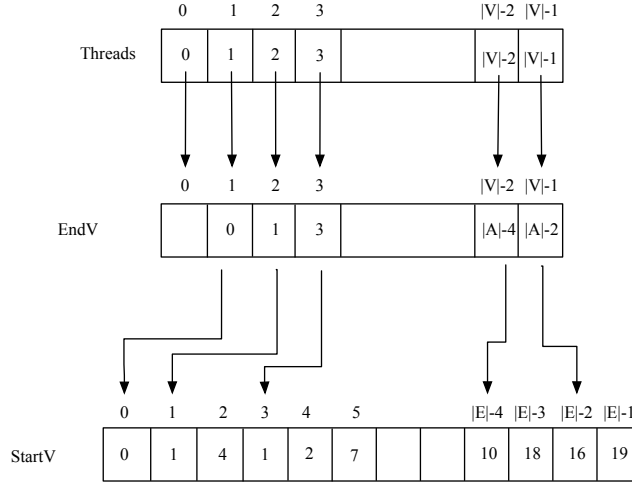


Fig. 5. Compressed Sparse Row (CSR) graph representation.

where vertices of the graph receive unique IDs in $\{0, 1, \dots, |V| - 1\}$. To represent a graph in CSR format, we store end vertices and start vertices of arcs in two separate arrays *EndV* and *StartV* respectively (see Figure 5). Each entry in *EndV* points to the starting index of its adjacency list in array *StartV*. We assign one thread to each vertex. That is, thread t is responsible for the vertex whose ID is stored in *EndV*[t], where $\{0 \leq t < |V| - 1\}$ (see Figure 5). Since the proposed algorithm computes all PPs ending in each vertex $v \in V$, maintaining the predecessor vertices is of particular importance. In CSR data structure, first the vertex itself and then its predecessor vertices are stored.

4.2 Path Structure

We utilize a set of flags to keep the status of each recorded path along with each vertex (see Figure 6). Let v_i be a vertex and p be a path associated with v_i . The PathValidity flag ($p[0]$) indicates whether or not the recorded information represents a simple path. The PathExtension flag ($p[1]$) means that the current path is an extended path; hence not a PP. We assume each non-final vertex can have a maximum of two successor vertices. We use the LeftSuccessor ($p[2]$) and the RightSuccessor ($p[3]$) flags to indicate whether the thread of each corresponding successor has read the path ending in vertex v_i . Once one of those successor threads reads the path ending in v_i it will mark its flag. In each iteration of the algorithm, paths with marked extension and marked successor flags will be pruned. We set the CyclicPath flag ($p[4]$) if p is a cyclic path. If p is cyclic, then it will no longer be processed by the successor threads of v and is recorded as a PP at the v_i . (see Figure 6).

Note: Since there is a unique thread associate to each vertex, we use the terms "successor" and "predecessor" for both vertices and threads.

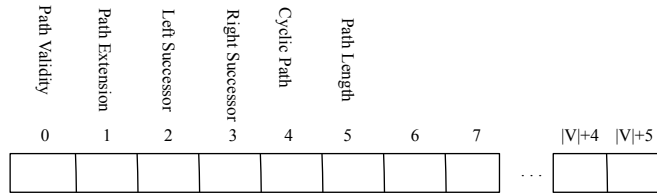


Fig. 6. Path structure

4.3 Memory Allocation

In each CFG, the extraction of the PPs is based on the generation of the simple paths terminated in each vertex $v_i \in V$. There is a list associated to each vertex v_i , denoted $v_i.list$ to record all generated PPs ending in v_i . To implement this idea, all acyclic paths ending in predecessors of v_i must be copied to the list of the vertex v_i . For a large CFG, the number of such paths could be very large, which would incur a significant space cost on the algorithm. To mitigate this space complexity, we introduce a non-contiguous memory allocation method with a pointer based Three-level Path Accessing Method (TPAM). TPAM is a path accessing scheme which consists of three levels of address tables in a hierarchical manner. The entries of Level 1 address table with length $|V|$ are pointers to each $v_i.list$ at Level 2 address tables. Level 2 address tables contain addresses of all paths stored in each $v_i.list$. The entries of the last level tables are actual paths information in the memory (see Figure 7).

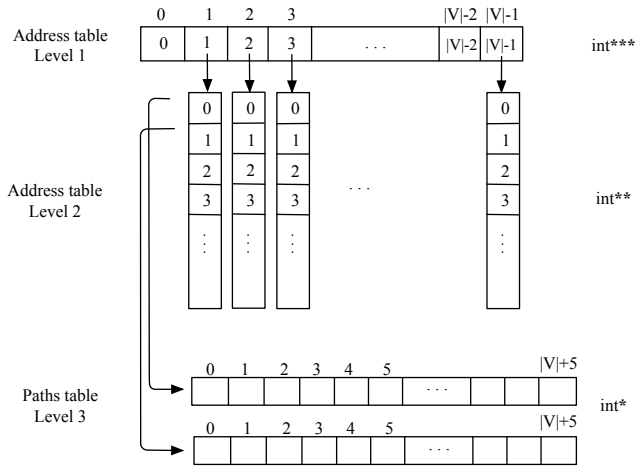


Fig. 7. Three-level Path Accessing Method

All activities such as compare, copy, extend and delete are applied on the paths of each vertex. Let v_i be a vertex in V and p be a path in $v_i.list$. To

access path p , the start address of the $v_i.list$ is discovered from the first array (i.e., $Path[v_i]$). The start address of path p is stored in Table 2 (i.e., $Path[v_i][p]$). The list of vertices of path p is in Table 3, which according to path structure mentioned in Figure 6, all activities can be done on the elements of the path (i.e., $Path[v_i][p][5]$ shows the length of the path p).

Instead of using malloc in allocating host memory, we call CUDA to create page-locked pinned host memory. Page-Locked Host Memory for CUDA (and other external hardware with DMA capability) is allocated on the physical memory of the host computer. This allocation is labeled as non-swappable (not-pageable) and non-transferable (locked, pinned). This memory can be accessed with the virtual address space of the kernel (device). This memory is also added to the virtual address space of the user process to allow the process to access it. Since the memory is directly accessible by the device (i.e., the GPU), the write and read speeds are high bandwidth. Excessive allocation of such memory can greatly reduce system performance as it reduces the amount of memory available for paging, but proper use of this memory allocation method provides a high performance data transfer schema.

5 GPU-based PP Generation Algorithm

A GPU-based CUDA program has a CPU part and a GPU part. The CPU part is called the host and the GPU part is called the kernel, capturing an array of threads. The algorithm proposed in this section includes one kernel (illustrated in Algorithm 1). The host (i.e., CPU) (Algorithm 2) initializes the $v_i.list$ of all v_i and an array of boolean flags, called $PublicFlag$, where $PublicFlag[v_i] = true$ indicates that the predecessors of vertex v_i have been updated and so the $v_i.list$ needs to be updated. One important objective is to design a self-stabilizing algorithm with no CPU-GPU communications, thus the host launches Cuda-Kernel-UpdateVertex only once. The proposed algorithm is implemented in such a way that there is no need for repeated calls to synchronize different threads in the block. One of the major challenges in parallel applications that drastically reduces the efficiency of these types of implementations is the use of atomic instructions. These types of instructions are executed completely without any interruption, but greatly reduce the efficiency of parallel processing. The self-stabilizing device (i.e., GPU) code in this section is implemented without using atomic instructions.

Algorithm 1 Device: Cuda-Kernel-Update-Vertex

```

1: for each thread assigned to vertex  $v_i$  do
2:   Update-Vertex( $v_i$ );
3: end for

```

Algorithm 2 Host: Generating the set of all PPs of the input CFG

Input: $G(V, A)$ with an out-degree 2, Start vertex $s \in V$

Output: The set of PPs ending in each vertex $v \in V$

Initialize: $\forall v_i \in V, v_i.list = \{v_i\}, v_i.PublicFlag = true.$

1: Cuda-Kernel-UpdateVertex ;

Algorithm 3 Update-Vertex(v_i)

```
1: while ( $v_i.PublicFlag = true$ ) do
2:   for each path  $p \in v_i.list$  do
3:     if  $p$  has been read by both successors then
4:       if ( $p$  is an extended path) or ( $p$  is already included in some path  $p' \in$ 
 $v_i.list$ ) then
5:         remove  $p$ ;
6:       end if
7:     end if
8:   end for
9:   for each  $v_j$  where  $(v_j, v_i) \in A$  do // Read from predecessors.
10:    for each path  $q \in v_j.list$  do // PathValidity flag
11:      if  $q$  is not read by  $v_i$  then
12:        Label  $q$  as read by  $v_i$ ; // Left or Right Successor flag
13:        if ( $q$  is not a cycle) and ( $v_i$  does not appear in  $q$  or  $v_i$  is the first
vertex of  $q$ ) then
14:          ExtendPath ( $q, v_i$ );
15:          Label  $q$  as an extended path; // PathExtension flag
16:        end if
17:      end if
18:    end for
19:  end for
20:   $v_i.LocalFlag = false$ ;
21:  for each path  $p \in v_i.list$  do
22:    if  $p$  is not read by both successors then
23:       $v_i.LocalFlag = true$ ;
24:    end if
25:  end for
26:  if  $v_i.LocalFlag = false$  then // all paths in  $v_i.list$  have been read by both
 $v_i$ 's successors
27:     $v_i.PublicFlag = false$ ;
28:    for each  $v_k$  where  $v_i$  is Reachable from  $v_k$  do
29:      if  $v_k.PublicFlag = true$  then
30:         $v_i.PublicFlag = true$ ;
31:      end if
32:    end for
33:  end if
34: end while
```

Algorithm 3 forms the core of the kernel Algorithm 1. This Algorithm performs three kinds of processing on each vertex $v_i \in V$: pruning the extended paths in $v_i.list$, extending acyclic simple paths in the lists of all predecessor vertices of v_i , and examining the termination of all backward reachable vertices of the v_i . **Lines 2 to 8** in Algorithm 3 remove all extra paths from $v_i.list$. The path $P \in v_i.list$ is an extra path if it has been extended by one of the v_i 's successor(s) or covered by another path $P' \in v_i.list$. **Lines 9 to 19** extend eligible acyclic simple paths in the lists of all predecessor vertices of v_i . Suppose that $v_j \in V$ is one of the v_i 's predecessor. A path $q \in v_j.list$ is an eligible path if q is not a cyclic path and if v_i appeared in q then v_i is the start vertex of q . The thread assigned to v_i runs a function called *ExtendPath* (in Algorithm 4) to append the new eligible path to the $v_i.list$. In **Lines 21 to 33**, the thread of v_i cannot be terminated if the vertex v_i is not the final vertex and has any unread paths in $v_i.list$ (Lines 21 to 25). Thread of v_i then examines the termination of all its backward reachable vertices by examining their *PublicFlag*. If all the previous vertices of the v_i are terminated, then the vertex v_i will also set its *PublicFlag* to false and exit the while loop (Lines 28 to 32).

We devise Algorithm 4 to append a new simple path to the list of a given vertex. This algorithm takes a path p as well as a specified vertex v as inputs. Algorithm 4 first adds the vertex v at the end of the path p and increments the length of p (Lines 2 and 3). Then, it checks the occurrence of vertex v as the first vertex of p . This property causes the new path p to be considered as a cycle in vertex v (Lines 4 to 6). Finally, Algorithm 4 sets PathValidity flag of the new path p to true and appends it to the end of $v.list$ (Lines 7 and 8).

5.1 Proof of Termination

This section proves that TPGen eventually terminates.

Lemma 1. *Let (v_j, v_i) be an arc in A and q be a path in $v_j.list$. The condition of the if statement on Line 11 in Algorithm 3 evaluates to true for q and v_i no more than once. That is, each path $q \in v_j.list$ is read by v_i at most once.*

Proof. Suppose Algorithm 3 has already entered the if statement on Line 11 for some q and v_i . This means that q has been labeled as ‘read by v_i ’ in line 12. Thus, next time Algorithm 3 gets to check if q is read by v_i , the condition in Line 11 evaluates to false.

Lemma 2. *For any vertex v_j that has an outgoing arc (v_j, v_i) , each path q in $v_j.list$ will eventually be labeled ‘read by v_i ’ and will not change anymore.*

Proof. Initially, each vertex v_j includes $\{v_j\}$ as the only path, and this path is not read yet. The thread of v_i executes the for-loop in Line 9 and iterates through all incoming arcs of each vertex $v_i \in V$ and will eventually get to (v_j, v_i) . As a result, any path $q \in v_j.list$ will be labeled on Line 12 because initially all paths are not read. If new paths are imported in $v_j.list$ from its predecessors in subsequent iterations of the algorithm, then such paths will be labeled as ‘read by v_i ’ and will keep their status of being ‘read’.

Algorithm 4 ExtendPath(Path[] p , Vertex v)

```
1: Path[]  $NewPath = p$ ;  
2:  $NewPath[5 + |p| + 1] = v$ ;  
3:  $NewPath[5] = p[5] + 1$ ;  
4: if  $v$  is the first vertex of  $p$  then  
5:    $NewPath[4] = 1$ ; // CyclicPath flag  
6: end if  
7:  $NewPath[0] = 1$ ; // PathValidity flag  
8: append  $NewPath$  to  $v.list$ ;
```

Lemma 3. *For each vertex $v_i \in V$, at some finite point in time, $v_i.LocalFlag$ will become false and will remain false.*

Proof. Lemmas 1 and 2 imply that all paths in the predecessors of v_i will eventually be labeled as ‘read by the thread of v_i ’, and will keep their status of being ‘read’. As such, the condition on Line 11 will never become true again when processing arc (v_j, v_i) . Therefore, Algorithm 3 will no longer get to Line 23; i.e., $v_i.LocalFlag$ will become false (on Line 20) and will never become true again.

Lemma 4. *For any vertex v_j that has an outgoing arc (v_j, v_i) , at some finite point in time, $v_j.PublicFlag$ will become false and will remain false.*

Proof. If the graph has a vertex $v_k \in V$ with no incoming arcs, the loop in line 9 is skipped for v_k by the thread of v_k and $v_k.PublicFlag$ is set to false. Moreover, the thread of v_k jumps over the loop in Line 28 for v_k because $v_k.ReachedFrom$ is empty. Then, the PublicFlags of all immediate successors of v_k are set to false by their corresponding threads. A similar phenomenon will propagate to all vertices reachable from v_k . For a specific vertex $v_k \in V$ in a cycle, initially it reads its predecessor. This process of reading continues until each vertex has a list of paths with all vertices in the cycle (Lines 9 to 19). From this point on, no extension will occur for v_k and $v_k.PublicFlag$ will remain false (Line 27).

Theorem 1. *Algorithm 3 will eventually terminate.*

Proof. Lemmas 3 and 4 imply that at some finite point in time, $v_i.LocalFlag$ and $v_i.PublicFlag$ will become false for each $v_i \in V$ and will remain false. As such, when PublicFlag of all vertices in $v_i.ReachedFrom$ are set to false, the thread assigned to v_i will eventually stop. When no more extensions occur for any vertex, the parallel algorithm terminates.

5.2 Data Race Freedom

In this section, we show that two neighboring threads/vertices do not cause any data races through accessing each other’s path lists. This is achieved without using any ‘atomic’ instructions.

Lemma 5. *Let (v_j, v_i) and (v_i, v_k) be arcs in A . Adding a path from v_j .list to the list of the vertex v_i happens before reading such path from v_i .list by the thread of vertex v_k .*

Proof. Thread of v_k can read only the valid paths in vertex v_i (line 11). The paths that are not yet fully written in the vertex v_i (Line 14) are not readable.

Lemma 6. *Let (v_j, v_i) be an arc in A . Thread of v_i reads each path from v_j .list in Line 11 before thread of v_j removes such path from v_j .list under conditions in Lines 3 and 4.*

Proof. The thread of vertex v_j can only remove a path p from its list when p has been labeled as 'extended' and the corresponding successor flags have been set to true (Lines 3 and 4).

Theorem 2. *Algorithm 3 is data race free.*

Proof. A program is data race free if all executions of the program are data race free. An execution is data race free if every pair of conflicting actions are related by the happens-before order. Lemmas 5 and 6 imply that Algorithm 3 guarantees happens-before order of every pair of conflicting actions by adjacent vertices on lines 3, 4, and 11.

5.3 Completeness

In order to show that TPGen generates all PPs, we present the following theorem.

Theorem 3. *Algorithm 3 covers all PPs 100% without a miss.*

Proof. Complete (i.e.100%) PPC can be proved through contradiction. Suppose that a maximal simple (prime) path $p(v_{i1}, v_{in})$ is missed in v_{in} .list. Thus, the path $p(v_{i1}, v_{in-1})$ will not be available in v_{in-1} .list. If we follow this rule in a backward direction toward v_{i1} , we reach the point that there is no vertex v_{i1} in the list associated with this vertex. This is impossible because initially each vertex is on its list.

6 Experimental Results

This section presents the results of our experimental evaluations of the proposed GPU-based method for PPs and TPs generation compared to the CPU-based approach proposed in [11]. The experimental benchmark consists of the set of ten CFGs from [5] (which are taken from Apache Commons libraries). Table 1 presents the structure of these CFGs. Columns 2 to 5 of Table 1 provide the number of nodes, edges, and SCCs of each CFG. The total numbers of nodes and edges of all SCCs are mentioned as ScnNodes and ScnEdges, respectively. Columns 7 and 8 show the Cyclomatic Complexity (CC) and Npath complexities of the input CFGs. CC indicates the number of linearly independent complete

paths of a given CFG [16]. Npath complexity shows the number of execution paths while limiting the loops to at most one iteration of a CFG [17]. To increase their structural complexity, we synthetically include extra nested loops and variety of conditional statements to create more SCCs. We compare the parallel and the sequential approaches with respect to their running time and memory consumption. The number of generated PPs for each CFG is provided in Column 9 of Table 1. We ran all the experiments on an Intel Core i7 machine with 3.6GHz X 8 processors and 16 GB of memory running Ubuntu 17.01 with gcc version 5.4.1. The parallel approach is implemented on a Nvidia GTX graphical processing unit equipped with 4G RAM and 768 CUDA cores.

Table 1. Structure of benchmark input CFGs.

CFG	Graph Structure						Npath	Prime Paths
	Nodes	Edges	SCC	ScCNodes	ScCEdges	CC		
1	180	214	18	78	83	35	$21244664 * 10^2$	35629
2	215	258	24	103	110	44	$6115295232 * 10^2$	176481
3	244	290	27	115	125	49	$339758624 * 10^4$	139684
4	355	431	38	160	173	68	$4508984864896 * 10^4$	253954
5	486	567	47	223	244	104	$115422132637413 * 10^9$	643738
6	723	853	75	331	351	131	$203282392447841 * 10^{18}$	1016762
7	874	994	83	409	762	155	$936725264399651 * 10^{25}$	1477397
8	963	1119	93	448	490	213	$13322314714616 * 10^{31}$	2573594
9	1441	1713	149	626	712	273	$41323731079318 * 10^{55}$	4478382
10	2160	2566	224	957	1073	404	$840038691867497 * 10^{83}$	9563583

Table 2 presents the average execution time and maximum memory consumption by sequential and parallel approaches for each CFG. The reported timings for each approach is the average of twenty runs. The bar graph of Figure 8 illustrates the time efficiency of the CPU-based and GPU-based approach. These values reflect the fact that the serial method running on the CPU has less consumption time for smaller CFGs than the parallel method implemented on the GPU. For the CFGs of the top five rows of Table 1, on average, the CPU-based method consumed 61% less time than the GPU-based method. On the other hand, for large CFGs at the bottom of Table 1, the parallel method costs 39% less time than the sequential method. This processing time efficiency increases significantly with increasing graph size. For example, the GPU-based time efficiency in the last graph is 71%. The recorded times indicate that by increasing the structural complexity, the GPU-based algorithm provides a better performance than the CPU-based algorithm. Therefore, for real-world applica-

tions that have a large number of lines and complex structures, the GPU-based algorithm is expected to be highly efficient.

Table 2. Time and memory costs of the GPU-based and CPU-based algorithms.

CFG	CPU-based		GPU-based	
	Memory (MB)	Time (s)	Memory (MB)	Time (s)
1	16.6937	63.69	6.6885	1155.93
2	46.8456	638.06	18.2185	2344.96
3	57.3789	680.98	21.7319	2665.78
4	123.4179	1257.44	44.1889	2795.83
5	231.1347	3148.63	82.6592	3456.33
6	511.1835	3866.07	227.2138	3552.35
7	746.8261	4361.88	318.8994	3649.31
8	906.5742	5627.34	395.1738	3729.70
9	2029.2207	11263.36	754.6743	4094.37
10	4558.3593	15165.05	1599.5354	4303.06

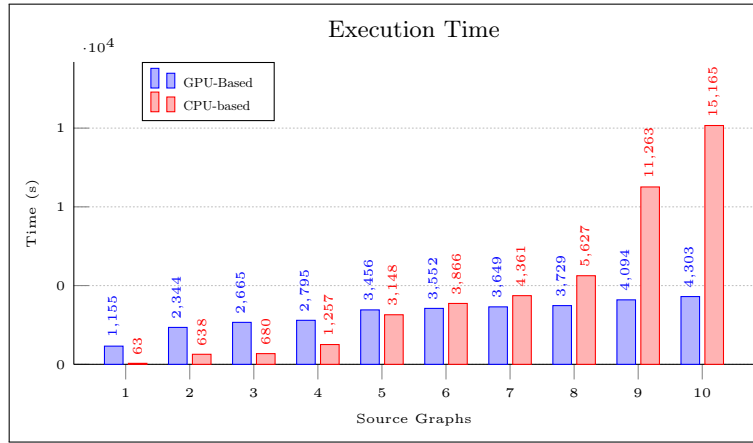


Fig. 8. Time efficiency of CPU-based vs. GPU-based method.

The bar graph of Fig.9 shows the space efficiency of the CPU-based and GPU-based approach. These values indicate that the GPU-based approach applying TPAM method has less memory requirements than the CPU-based method. On average, the GPU-based approach consumes 62% less memory for the input CFGs. On the other hand, with the increase in the dimensions of the input CFGs, due to the contiguous allocation of memory, the CPU-based method has a lot of challenges in processing of very large real world CFGs.

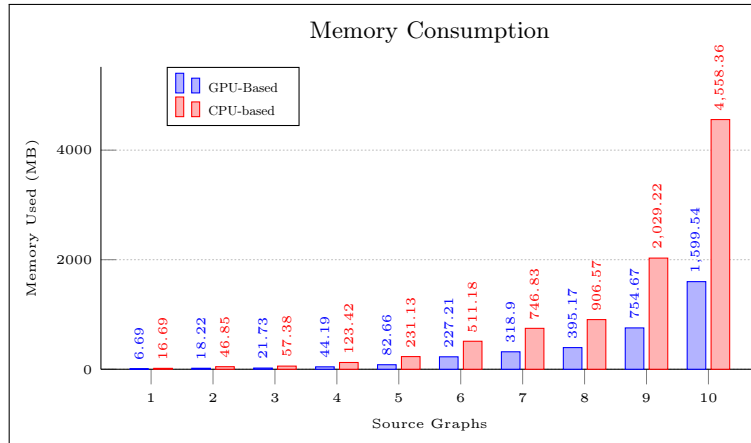


Fig. 9. Space efficiency of CPU-based vs. GPU-based method.

7 Related Work

This section discusses related works on the PPC in model based software testing context. Section 7.1 presents the background of the path as well as PPC, and Section 7.2 provides a high-level description of the PP generation algorithms presented in [3] [11]. Finally, Section 7.1 discusses some related works to generate TPs and test data for covering PPs.

7.1 Path Coverage

The problem of finding minimum path for covering the sub paths of a digraph is a fundamental problem in some domains. Ntafos and Hakimi show that problems arising from practical program testing reduce to the minimum path cover problem [18]. Given a directed graph $G(V, E)$, a path cover for the vertices of G is a set of directed paths, $P = \{p_1, p_2, \dots, p_k\}$, such that for each $v_i \in V$, there is a $p_j \in P$ with $v_i \in p_j$ [1]. The minimum path cover problem consists of finding a path cover for G with the least number of paths. A minimum path cover consists of one path if and only if there is a Hamiltonian path in G . The Hamiltonian path problem is NP-complete, and hence the minimum path cover problem is NP-hard [1] [2].

In structural testing of a program, one must test all execution paths in the program. Even for small programs (with loops), the number of execution paths can be extremely large. This makes CPC testing an impossible task, since in the syntactic structure of the program's graph, there is an infinite number of paths to cover. A compromise is to test a subset of all executable paths of the PUT; such that its size is manageable and a significant amount of information, concerning program reliability, is obtained. This subset should cover interesting or potentially troublesome interactions among the code segments. The next best alternative to CPC, that can cover loops, is the PPC [3].

Ammann and Offutt defined the PPs test criterion to ensure strong coverage of loops without requiring an infinite number of execution paths [3]. The idea is to use simple paths only. However, even small programs can have a fairly large number of simple paths and we need to minimize the number of paths to consider. A simple path is a path without internal loops, but the path itself may be a loop. A PP is a maximal simple path that does not appear as a proper subpath of any other simple path. The excessive cost of enumerating all simple paths for a given program is avoided through only focusing on the maximal length simple paths. Since any path can be created by composing a group of simple paths, taking only the maximal length simple paths will ensure maximum simple path coverage. PPC subsumes a number of different coverage criteria that include data flow coverage and structural coverage. PPC is among the strongest coverage criteria that can be practically applied to software testing [3]. This paper proposes a new parallel compositional method to generate PPs/TPs of an input CFG.

7.2 Generating PPs

Although generating PPs for large real-world programs is challenging, little effort has been made to introduce applicable approaches to generate PPs. To the best of our knowledge, there are two methods to generate PPs based on the syntactic structure of the PUT. The first one is an edge-based algorithm proposed by Amman and Offutt [3] [4]. The algorithm in the beginning considers to paths of length zero (nodes) as PP candidates. If each of them can extend by an edge holding PP condition, it extend to a path with length two, and so on. It will progressively continue the process until no path in the list can be extended. At the end of the algorithm, a pruning process will run. If any existing PP is covered by another one, it will be removed from the final PPs list. The second one is a vertex based compositional method to generate the PPs proposed in [11]. The proposed compositional method (i) computes the component graph of the input control flow graph; (ii) calculates the set of PPs of each SCC, and (iii) generates the set of PPs of the input graph with very low time and space costs. The proposed method significantly outperforms the state-of-the-art in dealing with programs that have extremely large Npath complexities [11].

The proposed work in this paper is a parallel self-stabilizing vertex-based platform to expedite the PPs of the input CFG. It is an extension of the compositional vertex-based method in [11] to execute on a parallel processing platform based on the GPUs.

7.3 Generating TPs

Generating the set of TPs that cover all PPs of a given program requires each PP to be a subpath of at least one complete TPs. Once the set of all PPs is generated, the corresponding TPs touring them must be generated. Existing algorithms for discovering minimum TPs to cover a given set of paths fall in two categories, static and dynamic.

Static methods are mainly based on the analysis of Control Flow Graph (CFG) of the PUT. Finding minimum path cover for the vertices (or edges) of a digraph has been studied earlier. Ntafos and Hakimi [18] present two methods using SCC of the program's CFG based on Dilworth's theorem [8]. In one method the minimum path cover problem is transformed into a minimum flow problem; in the other it is transformed into a maximum matching problem. Aho and Lee [2] tailor a minimum flow algorithm specifically for minimum TPss for node coverage. Li *et al.* [14] formulate the problem as a shortest superstring problem, which is NP-complete and then present two new solutions named Set-Covering Based and Matching-Based Prefix Graph to the problem. The proposed solutions use known approximation algorithms to solve the problem. Dwarakanath and Jankiti [9] present an algorithm for the minimum flow problem based on the concept of Decreasing Paths. The concept is similar to that of the Augmenting Path in the Ford-Fulkerson algorithm [12] to find the maximum flow. Amman and Offutt present a simple solution for the generation of TPstP that cover all PPs [3]. The solution starts with the longest PP and extends every PP to visit initial and final nodes thus forming a TPstP. The process continues with the remaining uncovered longest PP. This algorithm does not attempt to minimize the number of TPs but is extremely simple. Fazli and Afsharchi proposed a method based on merging, where obtain a set of complete TPs using internal PPs of all SCCs [11]. First, the set of SCC's entry exit paths that cover all internal PPs of all SCCs is generated. Then, the method in [11] merges these paths with main component graph complete paths, thereby yielding complete TPs that cover all incomplete PPs.

Dynamic methods are based on execution of an instrumented version of the PUT and analysis of covered level against a set of desired paths. To generate test cases for covering a specific set of paths, a number of algorithms have been proposed. Hosseini and Jalili [13] present a genetic algorithm to generate TPs covering all PPs. Other nature inspired algorithms have also been proposed, for example, Sayyari and Emadi [19] propose a solution based on ant colony optimization algorithm to develop TPs. Srivastava *et al.* [20] propose a technique using ant colony optimization to generate optimized test sequences from markov chain model of the software under test. Bidgoli *et al.* [6] utilize two prominent swarm intelligence algorithms, i.e., ACO and PSO, along with a normalized fitness function to provide an approach for covering PPs. Lin *et al.* [15] and Bueno *et al.* [7] introduce methods for test data generation based on the GA algorithm with covering PPs capability. We summarize the reviewed related works relevant to PPs/TPs generation literature in Table 3.

The parallel processing platform Proposed in this paper is abased on the GPUs to extract the PPs/TPs. It belongs to static methods category as it is based on the CFG of the PUT. Most of real world programs even with just a few statements, have a large number of PPs. Processing time grows exponentially as the number of conditional and loop statements grows. This limitation is a big challenge for the efficiency and scalability of the existing PP generation algorithms for large real world programs. However, our technique overcomes this

limitation by modularized analysis of the CFG. It generates PPs of SCCs as well as the component graph’s PPs separately and produces the rest of the PPs by integrating the existing generated PPs. This method can be highly scalable by significantly reducing processing time requirements.

Table 3. Related works on PPs and TPs generation

Method	Work	Criterion	Procedure
Static Path Generator	Amman et al [3]	PPs Generation	Edge based
	Fazli et al [11]	PPs Generation	Compositional vertex based
Static Test Path Generator	Amman et al [3]	PP Coverage	Extend PP to visit first/end vertices
	Fazli et al [11]	PP Coverage	Transform/Merge internal PP of all SCCs
	Ntafos et al [18]	Edge Coverage	Minimum flow and maximum matching
	Aho et al [2]	Node Coverage	Minimum flow
	Li et al [14]	Edge Coverage	Set-Covering/Matching-Based Prefix Graph
	Dwarakanath et al [9]	PP Coverage	Minimum flow based on Decreasing Paths
Dynamic Test Path Covering	Hosseini et al [13]	PP Coverage	Genetic algorithm
	Sayyari et al [19]	PP Coverage	Ant colony optimization
	Srivastava et al [20]	PP Coverage	Ant colony optimization
	Bidgoli et al [6]	PP Coverage	Ant colony and PSO
	Lin et al [15]	PP Coverage	Genetic algorithm
	Bueno et al [7]	PP Coverage	Genetic algorithm

8 Conclusions and Future Work

We presented a novel scalable GPU-based method, called TPGen, for the generation of all Prime Paths (PPs) and Test Paths (TPs) used in structural testing and in test data generation. TPGen outperforms existing methods for PPs and TPs generation in several orders of magnitude, both in time and space efficiency. To reduce TPGen’s memory costs, we designed a non-contiguous and hierarchical memory allocation method, called Three-level Path Access Method (TPAM), that enables efficient storage of maximal simple paths in memory. TPGen does not use any synchronization primitives for the execution of the kernel threads on GPU, and starting from any execution order of threads, TPGen generates the PPs ending in any individual vertex; hence providing a fully asynchronous self-stabilizing GPU-based algorithm. As an extension of this work, we will expand the proposed benchmark with more structurally complex programs. We also will integrate PPs/TPs generation with constraint solvers towards generating test data in programs with high structural complexity.

References

1. Aho, A.V., Hopcroft, J.E., Ullman, J.D.: Data structures and algorithms (1983)
2. Aho, A.V., Lee, D.: Efficient algorithms for constructing testing sets, covering paths, and minimum flows. AT&T Bell Laboratories Tech. Memo. CSTR159 pp. 1–15 (1987)
3. Ammann, P., Offutt, J.: Introduction to software testing. Cambridge University Press (2016)

4. Ammann, P., Offutt, J., Xu, W., Li, N.: Graph coverage web applications (2008)
5. Bang, L., Aydin, A., Bultan, T.: Automatically computing path complexity of programs. In: Proceedings of the 2015 10th Joint Meeting on Foundations of Software Engineering. pp. 61–72. ACM (2015)
6. Bidgoli, A.M., Haghghi, H., Nasab, T.Z., Sabouri, H.: Using swarm intelligence to generate test data for covering prime paths. In: International Conference on Fundamentals of Software Engineering. pp. 132–147. Springer (2017)
7. Bueno, P.M.S., Jino, M.: Automatic test data generation for program paths using genetic algorithms. *International Journal of Software Engineering and Knowledge Engineering* **12**(06), 691–709 (2002)
8. Dilworth, R.P.: A decomposition theorem for partially ordered sets. *Annals of Mathematics* pp. 161–166 (1950)
9. Dwarakanath, A., Jankiti, A.: Minimum number of test paths for prime path and other structural coverage criteria. In: IFIP International Conference on Testing Software and Systems. pp. 63–79. Springer (2014)
10. Eisenstat, S.C., Schultz, M.H., Sherman, A.H.: Algorithms and data structures for sparse symmetric gaussian elimination. *SIAM Journal on Scientific and Statistical Computing* **2**(2), 225–237 (1981)
11. Fazli, E., Afsharchi, M.: A time and space-efficient compositional method for prime and test paths generation. *IEEE Access* **7**, 134399–134410 (2019)
12. Ford Jr, L.R., Fulkerson, D.R.: Flows in networks. Princeton university press (2015)
13. Hoseini, B., Jalili, S.: Automatic test path generation from sequence diagram using genetic algorithm. In: Telecommunications (IST), 2014 7th International Symposium on. pp. 106–111. IEEE (2014)
14. Li, N., Li, F., Offutt, J.: Better algorithms to minimize the cost of test paths. In: Software Testing, Verification and Validation (ICST), 2012 IEEE Fifth International Conference on. pp. 280–289. IEEE (2012)
15. Lin, J.C., Yeh, P.L.: Automatic test data generation for path testing using gas. *Information Sciences* **131**(1-4), 47–64 (2001)
16. McCabe, T.J.: A complexity measure. *IEEE Transactions on software Engineering* (4), 308–320 (1976)
17. Nejme, B.A.: Npath: a measure of execution path complexity and its applications. *Communications of the ACM* **31**(2), 188–200 (1988)
18. Ntafos, S.C., Hakimi, S.L.: On path cover problems in digraphs and applications to program testing. *IEEE Transactions on Software Engineering* (5), 520–529 (1979)
19. Sayyari, F., Emadi, S.: Automated generation of software testing path based on ant colony. In: Technology, Communication and Knowledge (ICTCK), 2015 International Congress on. pp. 435–440. IEEE (2015)
20. Srivastava, P.R., Jose, N., Barade, S., Ghosh, D.: Optimized test sequence generation from usage models using ant colony optimization. *International Journal of Software Engineering & Applications* **2**(2), 14–28 (2010)
21. Tarjan, R.: Depth-first search and linear graph algorithms. *SIAM journal on computing* **1**(2), 146–160 (1972)