

PREPARED FOR SUBMISSION TO JINST

12<sup>TH</sup> INTERNATIONAL CONFERENCE ON POSITION SENSITIVE DETECTORS

12-17 SEPTEMBER, 2021

UNIVERSITY OF BIRMINGHAM, UK

## Online control of the gain drift with temperature of SiPM arrays used for the readout of LaBr<sub>3</sub>:Ce crystals

---

**M.Bonesini,<sup>a,b,1</sup> R.Bertoni,<sup>a</sup> M.Prata<sup>c</sup> and M.Rossella<sup>c</sup>**

<sup>a</sup>*Sezione INFN Milano Bicocca, Piazza Scienza 3, Milano, Italy*

<sup>b</sup>*Dipartimento di Fisica G. Occhialini, Università di Milano Bicocca, Piazza Scienza 3, Milano, Italy*

<sup>c</sup>*Sezione INFN Pavia, via A. Bassi 6, Pavia, Italy*

*E-mail:* [maurizio.bonesini@mib.infn.it](mailto:maurizio.bonesini@mib.infn.it)

**ABSTRACT:** LaBr<sub>3</sub>:Ce crystals have been introduced for radiation imaging in medical physics, with photomultiplier or single SiPM readout. An R&D was pursued with 1/2" and 1" LaBr<sub>3</sub>:Ce crystals, from different producers, to realize compact large area detectors (up to some cm<sup>2</sup> area) with SiPM array readout, aiming at high light yields, good energy resolution, good detector linearity and fast time response for low-energy X-rays. A natural application was found inside the FAMU project at RIKEN-RAL muon facility, that aims at a precise measure of the proton Zemach radius to solve the so-called "proton radius puzzle", triggered by the recent measure of the proton charge radius at PSI. The goal is the detection of characteristic X-rays around 130 keV. Other applications may be foreseen in medical physics, such as PET, and gamma-ray astronomy. A limiting factor is the gain drift of SiPM arrays with temperature, that give a deterioration of the detector's FWHM energy resolution. To solve this problem, a custom NIM module, based on CAEN A7585 digital power supply, was developed. Test results of the correction of gain drift with temperature for SiPM arrays from Advansid, Sensl, Hamamatsu will be presented. At the <sup>137</sup>Cs peak, an energy resolution better than 3% was obtained for a typical LaBr<sub>3</sub>:Ce crystal, using Hamamatsu S13461 arrays. This compares well with best available results obtained with a PMT.

**KEYWORDS:** SiPMTs; X-ray detectors.

---

<sup>1</sup>Corresponding author.

---

## Contents

<b>1</b>	<b>Introduction</b>	<b>1</b>
<b>2</b>	<b>Laboratory tests</b>	<b>1</b>
<b>3</b>	<b>Conclusions</b>	<b>3</b>

---

## 1 Introduction

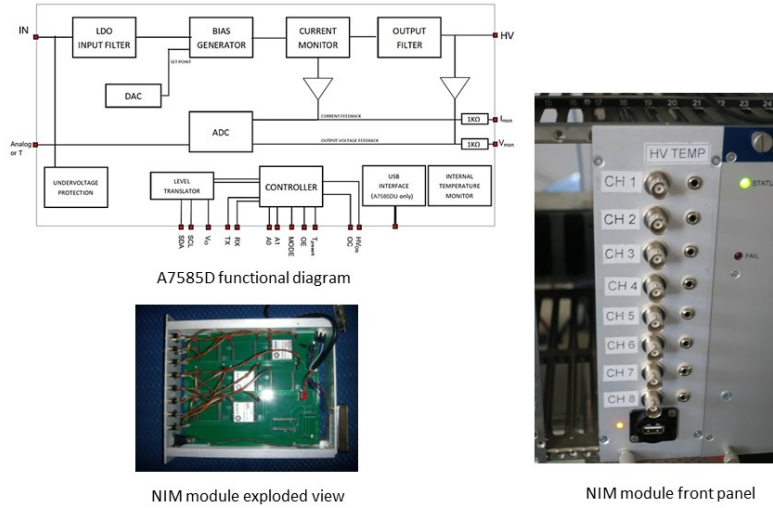
Silicon photomultipliers (SiPM) are a valuable alternative to conventional photomultipliers (PMTs) for the readout of scintillation detectors. They may be arranged as an array. As readout devices they have a high reliability, a low sensitivity to external magnetic fields and can operate at voltages significantly lower than the ones used for PMTs. Using a SiPM array it is possible to obtain energy resolutions comparable to what obtained with PMTs. However, SiPMs have a relevant problem: in addition to an increased noise level, their gain drifts significantly as a function of temperature. This feature prevents their use in conditions with a changing temperature, as homeland security and military applications. To overcome this problem, SiPMs must be operated at a fixed gain if temperature changes. Thus the operating voltage  $V_{op} = V_{bd} + V_{ov}$ , with  $V_{bd}$  breakdown voltage and  $V_{ov}$  overvoltage, must be modified as a function of temperature according to:

$$V_{bd}(T) = V_{bd}(T_0) \times (1 + \beta(T - T_0))$$

with  $T$  working temperature,  $T_0$  reference temperature (typically 25° C) and  $\beta = \Delta V_{bd} / \Delta T$  temperature coefficient of the used SiPM, as explained in reference [1]. For an online hardware correction, a custom NIM module was developed, based on CAEN A7585D digital power supplies, with temperature feedback. Up to eight channels may be powered by a single 2-slots NIM module, as shown in figure 1. The control of this module was implemented via either a FDTI USB-I2C converter or an Arduino Nano chip. Three modules (with which up to 24 channels may be powered) were realized and are linkable in daisy chain, via the I2C protocol. Our application has developed inside the FAMU experiment at RAL, to measure with high precision the proton Zemach radius [2]: its main requirement was the measure of X-rays around 100 keV with compact crystal detectors.

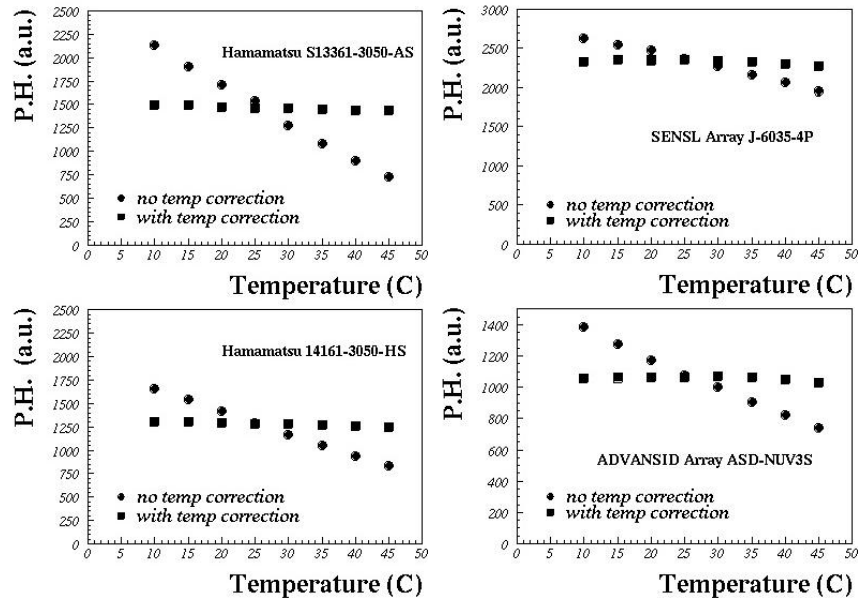
## 2 Laboratory tests

The crystal detectors are mounted inside an ABS holder, realized with a 3D printer and are fully described in reference [3]. The SiPM array temperature is measured by a TMP37 temperature sensor, mounted on the PCB where the array socket is soldered. A 3.5 mm stereo jack cable connects the sensor to the custom NIM module for online temperature correction. Laboratory tests were done putting the detectors under test inside a Memmert IPV-30 climatic chamber, where



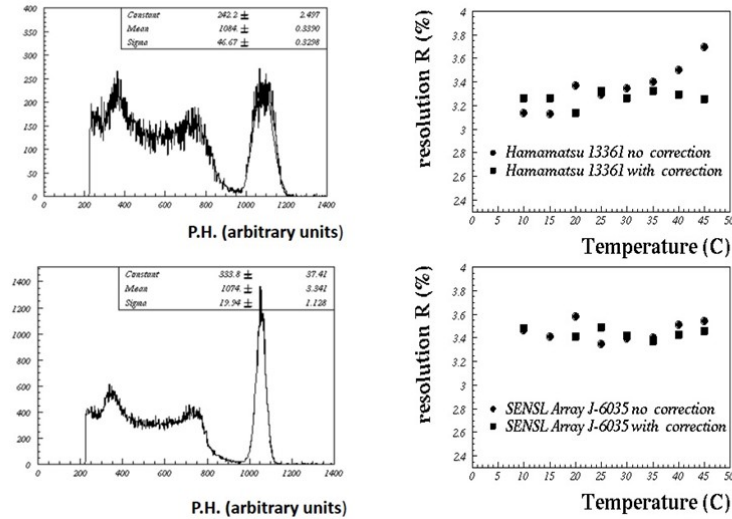
**Figure 1:** Left panel - top, A7585D functional layout (courtesy of CAEN srl); bottom, exploded view of one custom NIM module. Right panel: front panel of one custom NIM modules: a) is the BNC connector for a channel HV, b) the 3.5 mm jack stereo for the connection to a temperature TMP37 sensor, c) the USB interface connection.

the temperature could be stabilized with a precision of  $\sim 0.1$  °C. Detectors were powered at their nominal operating voltage  $V_{op}$ . The summed analogue signal from the cells of a SiPM array is directly fed into a CAEN V1730 fast digitizer (500 MHz bandwidth, 14 bit resolution) and is acquired by a custom DAQ system. In the reported laboratory tests, a  $^{137}\text{Cs}$  exempt source was used and the dependence of the photo peak at 662 keV, as a function of temperature is reported in figure 2. The same crystal is used in all the tests. While Advansid and Hamamatsu SiPM arrays show a larger variation of response (up to 70 %), the effect is smaller for SENSL devices ( $\sim 30\%$ ). After correction, in all cases the variation is reduced to  $\sim 5\%$ .



**Figure 2:** Dependence of the photo peak position at 662 keV for a typical 1/2" detector, with and without temperature correction. Different SiPM arrays have been used for the readout.

The response of a typical 1/2" crystal, inside the climatic chamber, with a temperature excursion from 20 °C to 30 °C, is shown in the left panel of figure 3. Without the online correction, the resolution of the photo peak at 662 keV is sensibly degraded. The variation of FWHM energy resolution of the same crystal, with different readout, is shown instead in the right panel.



**Figure 3:** Left panel:  $Cs^{137}$  spectra recorded by a  $LaBr_3:Ce$  1/2" detector read by an Advansid ASD-NUV3S SiPM array during a temperature scan between 20 °C and 30 °C. Top (bottom) is without (with) temperature correction. Fit results to the 662 keV photo peak, with a simple gaussian, are reported. Right panel: dependence of the energy resolution at 662 keV on temperature, for a typical 1/2"  $LaBr_3 :Ce$  detector read by different SiPM arrays, with/without temperature correction.

### 3 Conclusions

A custom NIM module, based on CAEN A7585D digital power supply, has been developed to allow an effective online correction of the effect of temperature on the gain of SiPM arrays. The effect, depending on the type of SiPM array, is reduced from 30 – 70% to  $\sim 5\%$ .

### References

- [1] N. Dinu *et al.*, *Temperature and bias voltage dependence of the MPPC detectors*, IEEE NSS-MIC Symposium (2010), Piscataway, NJ.
- [2] A. Vacchi *et al.*, *Measuring the size of the proton*, SPIE Newsroom (2012), DOI:10.1117/2.1201207.004274;  
C. Pizzolotto *et al.*, *The FAMU experiment: muonic hydrogen high precision spectroscopy studies*, EPJ A56 (2020) 7,185 ;  
M. Bonesini, *The FAMU experiment at RIKEN RAL for a precise measurement of the proton radius*, PoS EPS-HEP2019 132.
- [3] M. Bonesini *et al.*, *Ce:LaBr<sub>3</sub> crystals with SiPM array readout and temperature control for the FAMU experiment at RAL*, JINST 15 (2020) 05, C05065.