

Space-time tradeoffs of lenses and optics via higher category theory

Bruno Gavranović

September 21, 2022

Abstract

Optics and lenses are abstract categorical gadgets that model systems with bidirectional data flow. In this paper we observe that the denotational definition of optics – identifying two optics as equivalent by observing their behaviour *from the outside* – is not suitable for operational, software oriented approaches where optics are not merely observed, but built with their internal setups in mind. We identify operational differences between denotationally isomorphic categories of cartesian optics and lenses: their different composition rule and corresponding space-time tradeoffs, positioning them at two opposite ends of a spectrum. With these motivations we lift the existing categorical constructions and their relationships to the 2-categorical level, showing that the relevant operational concerns become visible. We define the 2-category **2-Optic**(\mathcal{C}) whose 2-cells explicitly optics' internal configuration. We show that the 1-category **Optic**(\mathcal{C}) arises by locally quotienting out the connected components of this 2-category. We show that the embedding of lenses into cartesian optics gets weakened from a functor to an oplax functor whose oplaxator now detects the different composition rule. We determine the difficulties in showing this functor forms a part of an adjunction in any of the standard 2-categories. We establish a conjecture that the well-known isomorphism between cartesian lenses and optics arises out of the lax 2-adjunction between their double-categorical counterparts. In addition to presenting new research, this paper is also meant to be an accessible introduction to the topic.

Contents

1	Introduction	2
2	Cartesian Lenses	4
3	Optics	10
4	Categorical interlude: (1-) vs. oplax colimits	15

5	2-optics	17
A	Appendix	25

1 Introduction

Lenses and optics have recently received a great deal of attention from the applied category theory community. They are abstract data structures that model systems exhibiting bidirectional data flow. There's a number of disparate places they've been discovered in: deep learning ([CGG⁺21, FJ19]), game theory ([Cap22, GHWZ16]), bayesian learning ([KW21, BHZ19]), reinforcement learning ([HR22]), database theory ([Spi21]), dynamical systems ([Jaz20]), data accessors ([PGW17]), trading protocols ([GLP21]), server operations ([VC22]) and more ([Gav22b]).

As evident by the breadth of their applications, lenses and optics don't assume that the underlying systems are of any particular kind. Instead, they are defined parametrically for some base category \mathcal{C} , which is only required to satisfy a minimal set of axioms. By appropriately instantiating this category we can recover various kinds of systems – deterministic, probabilistic, differentiable, and so on. This makes it possible to treat the bidirectionality in an abstract way, proving theorems about whole classes of bidirectional processes that satisfy particular properties.

The two constructions we focus on in this paper – cartesian lenses and optics¹ – are related, but have different requirements on the base category. For optics to be defined, we require the base category to permit parallel composition of processes, i.e. a monoidal structure. For lenses we additionally require this structure to be cartesian, i.e. the ability to coherently copy and delete information. These play well together – defining optics in a cartesian category gives us a category isomorphic to lenses, as it is well-established in the literature.

In this we paper observe that this isomorphism is denotational in nature and blind to operational concerns relevant to their practical implementations. Namely, it treats optics extensionally – describing them as being observed *from the outside*. This means that any matters of their internal setup, especially ones relevant to making a distinction between an efficient and an inefficient implementation, are ignored. But in a modern, software oriented world we're not merely observing these optics from the outside in – we're instead building them from the inside out. We're choosing their particular internal states, and in most cases we don't have the luxury of *not* distinguishing between an efficient and an inefficient representation, as often only the former can compute an answer for us. As the current categorical framework doesn't have a high-enough resolution to formally capture these distinctions, we seek to provide one. We lift

¹We note that there is a whole *zoo* of bidirectional gadgets, each with their own kind of behavior, and their own abstract interface that the underlying world needs to satisfy. A lot of effort has been put in towards representing all of these constructions in an unifying way (see any of [Ver22, BCG⁺21, CEG⁺20, Spi19])

the existing 1-categorical formalism to a 2-categorical one. We show how to track and manipulate the internal state of optics, making a distinction between denotationally equivalent, but operationally different kinds of optics.

We first start out by unpacking the category of lenses and emphasizing that a seldom talked about perspective: that lenses are cartesian optics with one option removed: the option to choose the type of its internal state. We show how this lack of a tangible way to refer to this important notion has significant operational consequences when composing lenses. Namely, we'll see that lenses implement a particular kind of a space-time tradeoff that's in the deep learning literature called *gradient checkpointing*. We move on to unpacking the category of optics and notice they they have a different composition rule than lenses, implementing a different space-time tradeoff. What motivates the rest of the paper is the observation that the difference is completely invisible to the categorical machinery.

We observe that optics are defined by a particular kind of colimit, suggesting an avenue forward by instead defining them as an *oplax* colimit. We do so, and thus define the *2-optics*: a 2-category whose 2-cells now explicitly track their internal state. We show that they coherently reduce to 1-optics by locally computing their connected components.

We then go on to explore the isomorphism $\mathbf{Lens}_{\mathbf{Cart}}(\mathcal{C}) \cong \mathbf{Optic}(\mathcal{C})$ in this 2-categorical setting. We show that the 2-categorical setting now locally hosts an adjunction between the corresponding categories, and that the embedding of lenses into cartesian optics is upgraded from a functor to an oplax functor whose oplaxator now detects the different composition rule. We determine the difficulties in showing the oplax functor forms in any of the standard categories whose 1-cells are lax functors. We establish a conjecture that the well-known isomorphism between cartesian lenses and optics arises out of the lax 2-adjunction between their double-categorical counterparts, as an image under the local connected components quotient.

1.1 Acknowledgements.

We thank Igor Baković, Fosco Loregian, Mario Román, Matteo Capucci and Jules Hedges for helpful conversations.

1.2 Notation.

We write morphisms in diagrammatic order, so composition of $A \xrightarrow{f} B$ and $B \xrightarrow{g} C$ is written as $A \xrightarrow{f \circ g} C$. We write $\pi_2 : A \times B \rightarrow B$ for the projection in the 2nd component.

2 Cartesian Lenses

Lenses come in many shapes and sizes. In this paper, we tell the story from the point of view of *cartesian*² lenses ([Hed18, Ril18, CEG⁺20]). This is a category which we denote by $\mathbf{Lens}_{\mathbf{Cart}}(\mathcal{C})$. We proceed to unpack its contents and, as most of the content of this paper is motivated by its previously unnoticed operational aspects, we take special care in doing so. We look out for any potentially resource-relevant operations such as data copying or recomputation.

$\mathbf{Lens}_{\mathbf{Cart}}(\mathcal{C})$ can be defined for any base category \mathcal{C} which is cartesian monoidal. Its objects are pairs of objects in \mathcal{C} , denoted by $\begin{pmatrix} A \\ A' \end{pmatrix}$, where we interpret the value of type A as going *forward* and value of type A' as going *backward*.

A morphism $\begin{pmatrix} A \\ A' \end{pmatrix} \rightarrow \begin{pmatrix} B \\ B' \end{pmatrix}$ is a *cartesian lens*. It consists of a two morphisms in \mathcal{C} , $\mathbf{get} : A \rightarrow B$ and $\mathbf{put} : A \times B' \rightarrow A'$, roughly thought of as the *forward* and the *backward* part of a lens.³ We can visualise lenses graphically using the formalism of *string diagrams* [Sel10] (Figure 1), an especially useful visual language for studying the flow of information in a lens.

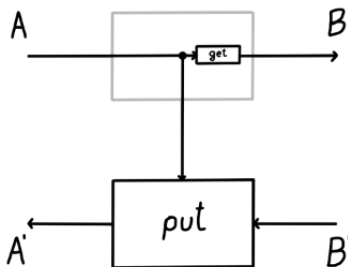


Figure 1: Graphical depiction of a lens. This particular kind of a string diagram arises out of string diagrams for optics ([Boi20]).

The flow of information works as follows. Information starts at the input of type A . The lens takes in this input and produces two things: a copy of it (sent down the vertical wire, where the operation of copying is drawn as a black dot) and the output B (via the \mathbf{get}) map. This is the *forward pass* of the lens, and is drawn with the gray outline. Then, the environment takes this output B and turns it into a response B' (not drawn). This lands us in the *backward pass* of the lens. Here the lens via the \mathbf{put} map consumes two things: the response B'

²As opposed to *closed*.

³Sometimes the terminology *view* and *update* is used instead of \mathbf{get} and \mathbf{put} .

and the previously saved copy of the input on the vertical wire, turning them back into A' .

A lens has an inside and an outside. The outside are the ports (A, A') and (B, B') . These ports are the interface to which other lenses connect. The inside is the vertical wire whose type is A . The vertical wire is the internal state of the lens (sometimes also called *the residual*) – mediating the transition between the forward and the backward pass.

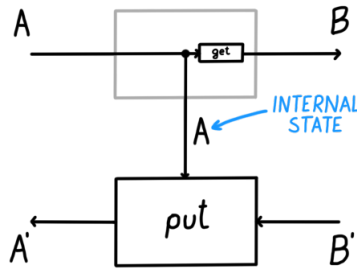


Figure 2: The internal state of the lens

Here we are explicitly referring to the internal state because of what's to come, but we emphasize that in the lens literature this concept hasn't been reified. In the lens literature the internal state is not explicit data that can be manipulated, and is instead being implicitly threaded through definitions and theorems – always being pegged to the forward part of the domain of a lens.

More precisely, **the type of the internal state of a lens** $\begin{pmatrix} A \\ A' \end{pmatrix} \rightarrow \begin{pmatrix} B \\ B' \end{pmatrix}$ **is always equal to A** . In what follows, we will see how this lack of a tangible way to refer to this important notion has significant operational consequences when composing lenses.

”The simplicity of the presentation of lenses is balanced by the complexity of their composition.”

Armed with the above motto we proceed to unpack the definition of lens composition. Suppose we have two lenses: $(A, A') \xrightarrow{(\text{get}_1, \text{put}_1)} (B, B')$ and $(B, B') \xrightarrow{(\text{get}_2, \text{put}_2)} (C, C')$, as drawn below in Figure 3.

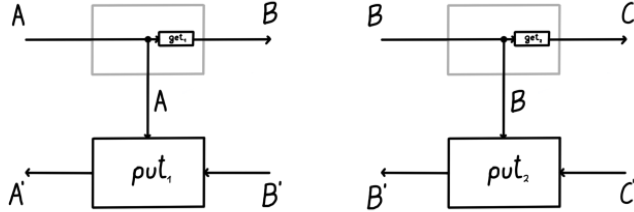


Figure 3: Two composable lenses.

Using the graphical formalism of the figure above, it seems reasonable to define the composite of these two lenses simply by plugging them along the two matching ports $\begin{pmatrix} B \\ B' \end{pmatrix}$. We draw the result of this in Figure 4. We invite the reader to ponder this definition before moving on. Is this composition well-defined?

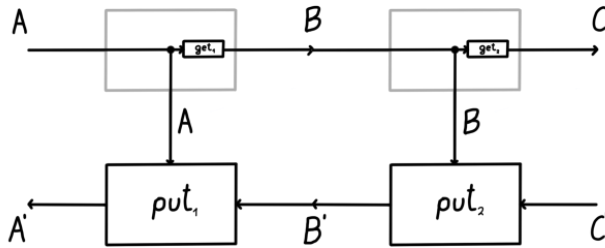


Figure 4: First guess at a possible lens composition.

The answer is no! What is drawn above is not a lens. It turns out that this elegant and plausible looking solution has an issue. Namely, if we look at the figure, we see that the internal state of this supposed lens $\begin{pmatrix} A \\ A' \end{pmatrix} \rightarrow \begin{pmatrix} C \\ C' \end{pmatrix}$ is $A \times B$. But we've previously established that the type of the internal state of every lens with domain $\begin{pmatrix} A \\ A' \end{pmatrix}$ is pegged to A itself, as internal state is not data available for manipulation. This means that what we've defined above is *some kind* of a bidirectional process, but not a lens. Another way to see this is to try to write down the *get* and *put* maps explicitly. Below we explicitly do so – we write out the *correct* definition of lens composition (forgetting the above image for a moment).

Definition 1 (Lens composition). *Consider two lenses:*

$$\begin{pmatrix} A \\ A' \end{pmatrix} \xrightarrow{\begin{pmatrix} \text{get}_1 \\ \text{put}_1 \end{pmatrix}} \begin{pmatrix} B \\ B' \end{pmatrix} \text{ and } \begin{pmatrix} B \\ B' \end{pmatrix} \xrightarrow{\begin{pmatrix} \text{get}_2 \\ \text{put}_2 \end{pmatrix}} \begin{pmatrix} C \\ C' \end{pmatrix}.$$

Their composite $\begin{pmatrix} A \\ A' \end{pmatrix} \xrightarrow{\begin{pmatrix} \text{get} \\ \text{put} \end{pmatrix}} \begin{pmatrix} C \\ C' \end{pmatrix}$ is defined as:

$$\begin{aligned} \text{get} &:= A \xrightarrow{\text{get}_1} B \xrightarrow{\text{get}_2} C \\ \text{put} &:= A \times C' \xrightarrow{\text{graph}(\text{get}_1) \times C'} A \times B \times C' \xrightarrow{A \times \text{put}_2} A \times B' \xrightarrow{\text{put}_1} A' \end{aligned}$$

While the definition of the composite `get` is simple, the composite `put` is more complex.⁴ If we look at `put`, we first see `graph(f)` applied to `A`, which copies the input and applies `f` to one of the copies.⁵ That copy results in a `B`, which is used in `put2`. The map `put2` gives us a `B'` which is used together with the other copy of `A` to obtain an `A'` using `put1`. Observe that this is the only way lens composition can be defined.⁶ Lens composition is shown graphically in Figure 5.

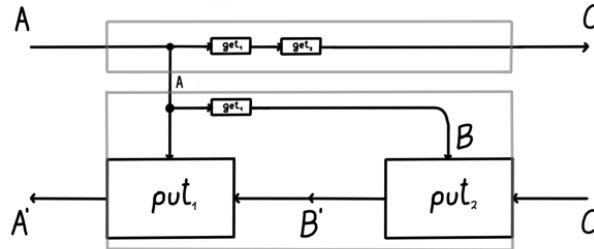


Figure 5: Composition of two lenses

We can immediately observe that this is different than our original guess: 1) there are two `get1` maps, and 2) the input `A` is copied twice, not once. With the hindsight that we're interested in implementing these lenses in software, the fact that some functions are computed twice raises some suspicions about the

⁴We observe that `put` defines a generalised form of chain rule [CGG⁺21, p. 11]

⁵We write out the formal definition of `graph(f)` in Def. 7.

⁶This can be seen by the reasoning going *backwards*: "the only thing that we can use to produce `A'` is `put1`, and the only way to produce its inputs is by..."

feasibility such an implementation. To get a better sense of what’s going on, we up the stakes and depict a composition of *three* lenses in Figure 6.

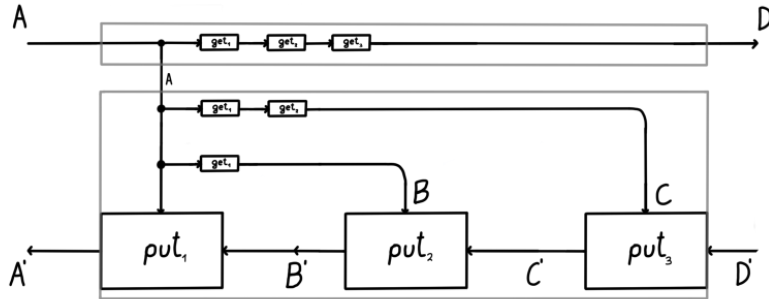


Figure 6: Composition of three lenses.

At this point things start to look crowded. There are now 6 `get` maps. We are also copying A three times in total. In general, it seems that composing more lenses only exacerbates the problem. What is going on?

If we look closely, we see that the backward pass of this composite for each $\{put_i\}_{i=1}^3$ map *independently* computes from scratch what that map needs. For instance, put_3 uses get_1 ; get_2 to compute its internal state, and put_2 uses get_1 , while put_1 uses just the already available A , but none of these computations share results of computation with each other.

This strategy of recomputing every intermediate result from scratch might certainly seem disadvantageous, but we observe that it’s a part of a tradeoff: this strategy uses less memory. Only the initial state A needs to be preserved in memory, and everything needed from the backward pass can be computed from it. It is also never the case that both get_1 ; get_2 and get_1 in the backward pass of Figure 6 need to be computed in parallel the same time (which would require more memory): it’s necessary to compute the output of the former before the output of the latter can be used.⁷

This means that lens composition picks a particular space-time tradeoff when solving the issue of backpropagating information. It uses *less space* (as it doesn’t need to save intermediate states of computation in memory), but *more time* (as it needs to recompute data).

Remark 1. *This kind of space-time tradeoff has a name in the deep learning and automatic differentiation community: it’s called gradient checkpointing [GW00, CXZG16]. It is often used with very large neural networks where storing all the intermediate results is prohibitive memory wise, or when available computation*

⁷To help with intuition, we invite the reader to have a look at the *animation* of this process, available at the following link.

resources are constrained memory-wise. While it is understood that lenses are intricately tied to the chain rule, to the best of our knowledge this is the first time the connection between lenses and gradient checkpointing has been established.

The explanation of why the structure of lenses ended up implementing this particular tradeoff can be seen in Figure 7, showing a composite of two lenses. Here we see the residual A circled in blue mediating the passage from the forward pass to the backward pass. Observe that all the data communicated between the forward and the backward pass has to be squeezed through this A -shaped hole.

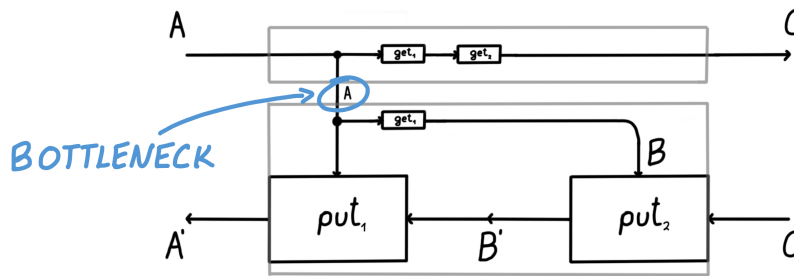


Figure 7: There is a bottleneck in every lens $\begin{pmatrix} A \\ A' \end{pmatrix} \rightarrow \begin{pmatrix} B \\ B' \end{pmatrix}$, necessitating that all the data required for the backward pass is squeezed through an A -shaped hole.

This means that intermediate state of type B that get_1 computed in the forward pass can't be communicated to the backward pass. Instead, there is no other way, but for the backward pass to separately recompute this information from A .⁸ And this itself arises precisely because when in defining a lens we have no freedom to choose the type of data that will be communicated from the forward pass to the backward pass.

Remark 2. *This phenomenon seems to have first been observed in [Ell18, Section 3.1.] where the author described their initial attempts to efficiently compute reverse-mode derivatives with cartesian lenses, only to identify the aforementioned redundancy problems. He went on to propose a solution using closed lenses, something we touch upon in Remark 8. Interestingly, the author never used the term lens in the entire paper.*

2.1 Where to?

We've established that lens composition implements a generalised form of chain rule in a manner that uses less space but more time. This is a result of the

⁸If we have a composite of 3, 4, or in general n more lenses, then there is $n - 1$ levels of separate computation, and each level i is has a sequence of get maps of length i composed. The memory required to compute gradients in our graph is constant in the number of layers n , but the number of node evaluations scales with n^2 .

absence of an explicit way to refer to the internal state of lenses. Two questions now become natural to ask: a) How can we recover other space-time tradeoffs? and b) How can we explicitly refer to and manipulate this internal state? In next section we answer both of these questions with *optics*.

3 Optics

The category of optics is a generalisation of the category of lenses, and has been thoroughly studied in the literature [CEG⁺20, Ril18, Boi20, PGW17]. Unlike lenses, optics do not require a cartesian structure and can instead be defined for any base category that is merely monoidal.⁹ We denote this category by **Optic**(\mathcal{C}) and proceed to unpack its contents. Its objects are pairs of objects in \mathcal{C} , just like with lenses. However, differences start appearing once we start looking at the morphisms.

Definition 2 ([Ril18, Def. 2.0.1.]). *The set of optics $(A, A') \rightarrow (B, B')$ is defined as the following coend*

$$\mathbf{Optic}(\mathcal{C}) \left(\begin{array}{c} A \quad B \\ A', B' \end{array} \right) := \int^{M:\mathcal{C}} \mathcal{C}(A, M \otimes B) \times \mathcal{C}(M \otimes B', A')$$

Its elements are equivalence classes of triples (M, f, f') , where $M : \mathcal{C}$, $f : A \rightarrow M \otimes B$ and $f' : M \otimes B' \rightarrow A'$. They're quotiented out by the equivalence relation where $(M, f, f') \sim (N, g, g')$ if there is a residual morphism $r : M \rightarrow N$ in \mathcal{C} such that the following diagrams commute:

$$\begin{array}{ccc} A & \xrightarrow{f} & M \otimes B \\ & \searrow g & \downarrow r \otimes B \\ & & N \otimes B \end{array} \quad \begin{array}{ccc} M \otimes B' & \xrightarrow{f'} & A' \\ r \otimes B' \downarrow & & \nearrow g' \\ N \otimes B' & & \end{array} \quad (1)$$

This definition might look daunting, but it is the result the dualisation of Motto 2 whose consequence will be a more straightforward definition of composition. Nonetheless, we will see that each part of the definition has intuitive meaning. An optic $(M, \mathbf{fw}, \mathbf{bw})$ has three components. The object M , the type of the internal state, the forward map \mathbf{fw} , and the backward map \mathbf{bw} . The shape of an optic is drawn in Figure 8, and it has a similar data flow as a lens. It takes in some A in the forward pass, and using the the map \mathbf{fw} it produces the product $M \otimes B$, for the chosen type M . The environment then takes in the B and responds with a B' , allowing the backward part to use $M \otimes B'$ and produce A' .

⁹This is not the most general definition of optics, see [Ver22, BCG⁺21, CEG⁺20].

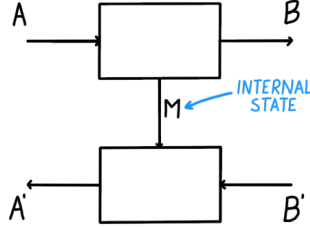


Figure 8: In defining an optic we have the freedom to choose the type of internal state, a liberty not available with lenses.

The last component of the definition is the equivalence relation. It’s a formal description of the idea that we think of optics as being *observed from the outside*. This means that the type of the internal state of an optic isn’t externally available information. This in turn means that there is no way to distinguish between two optics that have the same extensional behavior¹⁰, but different types of internal states.

Remark 3. *The directionality of the residual morphism in the equivalence relation does not matter. Because equivalence relations are symmetric, given (M, f, f') and (N, g, g') , both morphisms $r : M \rightarrow N$ and $r' : N \rightarrow M$ (making the appropriate diagrams commute) induce an equivalence relation $(M, f, f') \sim (N, g, g')$.*

Now we move on to describing the relationship between lenses and optics.

3.1 Cartesian Lens - Cartesian Optic isomorphism

If the base \mathcal{C} of optics is *cartesian* monoidal, the resulting cartesian optics are isomorphic to cartesian lenses.

Proposition 1. *When \mathcal{C} is cartesian monoidal, we have $\mathbf{Lens}_{\mathbf{Cart}}(\mathcal{C}) \simeq \mathbf{Optic}(\mathcal{C})$.*

Unlike the slick proof of this proposition ([Ril18, Prop. 2.0.4.], which we refer the reader to), here we take special care in unpacking the non-trivial action of this isomorphism on hom-sets. We first see how turning a lens into an optic reifies the internal state, allowing us to explicitly track and manipulate it. The reason we do this is Remark 4 which we will see is a shadow of a higher-categorical construction we will see in Section 5.

¹⁰In other words, the only way it’s possible to distinguish between two optics is if there is some input A and some environment response $B \rightarrow B'$ such that two optics produce a different A' .

Proposition 2 (Cartesian lenses \rightarrow cartesian optics). *For a cartesian category \mathcal{C} , and every pair of objects $\begin{pmatrix} A \\ A' \end{pmatrix}$ and $\begin{pmatrix} B \\ B' \end{pmatrix}$ there is a function R reifying the residual of a lens defined as*

$$\begin{aligned} \mathbf{Lens}_{\mathbf{Cart}}(\mathcal{C}) \begin{pmatrix} A & B \\ A' & B' \end{pmatrix} &\xrightarrow{R} \mathbf{Optic}(\mathcal{C}) \begin{pmatrix} A & B \\ A' & B' \end{pmatrix} \\ \begin{pmatrix} f \\ f' \end{pmatrix} &\mapsto (A, \mathbf{graph}(f), f') \end{aligned}$$

This finally gives us justification for the choice of the graphical language used to draw lenses, where lenses were previously drawn in their suggestive optic representation. Just as in Figure 1, we see that a) the residual of the resulting optic is set to A , and b) the input A is copied before being sent down as the residual. Conversely, starting from an optic we can always erase the residual, and “normalise” the optic into its lens representation.

Proposition 3 (Cartesian optics \rightarrow cartesian lenses). *For a cartesian category \mathcal{C} , and every pair of objects $\begin{pmatrix} A \\ A' \end{pmatrix}$ and $\begin{pmatrix} B \\ B' \end{pmatrix}$ there is a function E erasing the residual of a lens defined as*

$$\begin{aligned} \mathbf{Optic}(\mathcal{C}) \begin{pmatrix} A & B \\ A' & B' \end{pmatrix} &\xrightarrow{E} \mathbf{Lens}_{\mathbf{Cart}}(\mathcal{C}) \begin{pmatrix} A & B \\ A' & B' \end{pmatrix} \\ (\mathbf{M}, \mathbf{fw}, \mathbf{bw}) &\mapsto \left(\begin{array}{c} \mathbf{fw} \circ \pi_2 \\ ((\mathbf{fw} \circ \pi_1) \times B') \circ \mathbf{bw} \end{array} \right) \end{aligned}$$

Remark 4. *The proof that $R \circ E = id$ is trivial, but going the other way it isn't. Showing that $E \circ R = id$ involves showing $(\mathbf{M}, \mathbf{fw}, \mathbf{bw})$ is equivalent to $(A, \mathbf{graph}(\mathbf{fw} \circ \pi_2), ((\mathbf{fw} \circ \pi_1) \times B') \circ \mathbf{bw})$ which involves exhibiting a non-trivial witness for the equivalence: the residual morphism $\mathbf{fw} \circ \pi_1 : A \rightarrow \mathbf{M}$.*

3.2 How do optics compose?

As previously suggested, optic composition has a different definition than lens composition.

Definition 3 (Optic composition, [Ril18, page 5.]). *Consider two optics:*

$$\begin{pmatrix} A \\ A' \end{pmatrix} \xrightarrow{(M_1, \mathbf{fw}_1, \mathbf{bw}_1)} \begin{pmatrix} B \\ B' \end{pmatrix} \text{ and } \begin{pmatrix} B \\ B' \end{pmatrix} \xrightarrow{(M_2, \mathbf{fw}_2, \mathbf{bw}_2)} \begin{pmatrix} C \\ C' \end{pmatrix}.$$

We define their composite $(\mathbf{M}, \mathbf{fw}, \mathbf{bw})$ as

$$\mathbf{M} := M_1 \otimes M_2 \tag{2}$$

$$\mathbf{fw} := A \xrightarrow{\mathbf{fw}_1} M_1 \otimes B \xrightarrow{M_1 \otimes \mathbf{fw}_2} M_1 \otimes M_2 \otimes C \tag{3}$$

$$\mathbf{bw} := M_1 \otimes M_2 \otimes C' \xrightarrow{M_1 \otimes \mathbf{bw}_2} M_1 \otimes B' \xrightarrow{\mathbf{bw}_1} A' \tag{4}$$

This is essentially a composition of coparameterised maps in the forward pass, and a composition of parameterised maps in the backward pass [BCG⁺21]. The above symbolic description has a simple pictorial one: we simply draw a box around the individual optics (Figure 9).¹¹

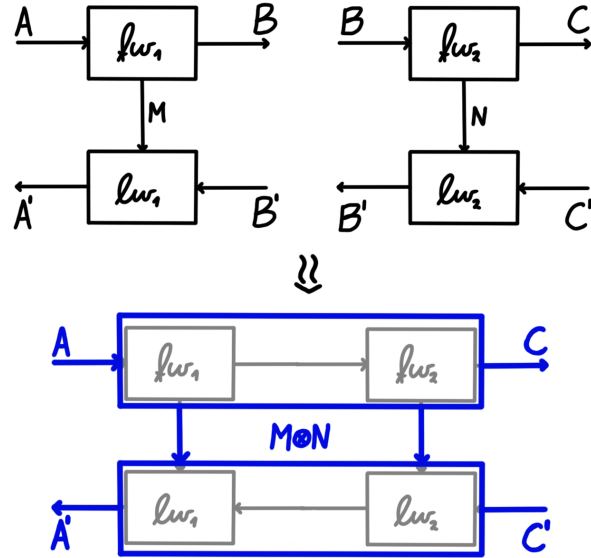


Figure 9: Graphical depiction of composition of two optics.

As originally hinted, optic composition implements a different space-time tradeoff than lenses. We notice that the newfound liberty of choosing the type of internal state on a per-optic basis allows the composition of two optics with residuals M_1 and M_2 to pick the product $M_1 \otimes M_2$ as its internal state. This allows optics to break down the problem of saving intermediate state into smaller pieces: each optics takes care of storing their own data. In turn, this removes the need to recompute any information, at the expense of needing more memory. This tradeoff becomes tricky if memory is a limited resource, as composing optics in a sequence, causes their residuals to be composed in parallel (Eq. 2). For cartesian optics, this means that the longer our chain of composition is, the more memory we need, something that is not true for lenses.

Now we have seen two different ways to compose these bidirectional gadgets. Can we formally establish a categorical connection?

¹¹We invite the reader to also have a look at the *animation* of the optic composition, available at the author’s blog post Optics vs. Lenses, Operationally.

3.3 Two ways to compose?

The following point motivates the rest of this paper. Say we start with two lenses: $\left(\begin{smallmatrix} A \\ A' \end{smallmatrix} \right) \xrightarrow{\left(\begin{smallmatrix} f \\ f' \end{smallmatrix} \right)} \left(\begin{smallmatrix} B \\ B' \end{smallmatrix} \right)$ and $\left(\begin{smallmatrix} B \\ B' \end{smallmatrix} \right) \xrightarrow{\left(\begin{smallmatrix} g \\ g' \end{smallmatrix} \right)} \left(\begin{smallmatrix} C \\ C' \end{smallmatrix} \right)$. There are two ways to obtain a composite optic, shown in Figure 10. We can either compose them as lenses, and then turn this composition into an optic, or we can first turn these lenses into optics, and then compose the optics.

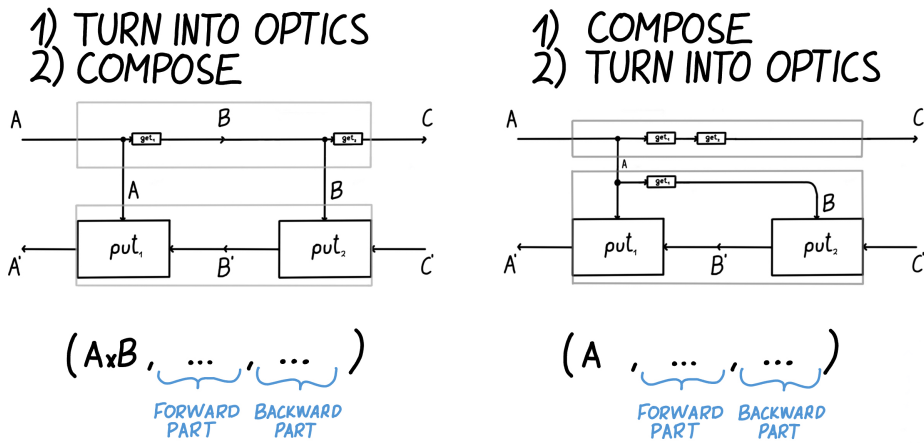


Figure 10: How to turn two composable lenses into an optic? Either by separately turning these lenses into optics and then composing them (left), or composing them and then turning the result into an optic (right). Whether these are equivalent depends on whether we’re taking the denotational (extrinsic) or operational (intrinsic) point of view.¹³

If we first turn them into optics, and then compose, the result is an optic whose residual is of type $A \times B$. When implemented, this optic requires more memory, but less time, as it reuses computation. Alternatively, if we first compose them and then turn the resulting lens into an optic, we obtain an optic whose residual is the equal to the type of top-left input A . This optic requires less memory, but more time. The question that motivates the rest of this paper is: **are these optics equivalent?**

If we look at the existing categorical framework, we find that the answer is yes. This can be seen in a few ways. The most straightforward one is to notice that asking whether these results are equivalent is asking precisely if the embedding $\mathbf{Lens}_{\mathbf{Cart}}(\mathcal{C}) \rightarrow \mathbf{Optic}(\mathcal{C})$ preserves composition (i.e. whether it’s a 1-functor). It’s been shown in Prop. 1) that the answer is yes. Another way

¹³In the figure we omit the cumbersome symbolic description of forward and backward maps of these optics; they can be found in the definition of the oplaxator in Thm. 2

to show this is to exhibit a witness for this equivalence, and indeed we can: it's the reparameterisation $\mathbf{graph}(f) : A \rightarrow A \times B$.¹⁴

We now observe that we have obtained *an* answer to the bolded question, but not *the* answer. We've obtained an answer of a particular *denotational* nature. This answer assumes that we're observing these optics *from the outside*, therefore ignoring any matter of their internal setup. As there is no way to observe these optics' internal state, there is no way for us to make a distinction between them. While this is a valid reference frame, it is not the only one.

In a modern, software oriented world, we're not merely observing these optics from the outside in. We're building them from the inside out. We're choosing their particular internal states, and it is nature that's actually making a distinction between them – by only sometimes only computing the answer if we've chosen the efficient representation for our purposes.

As current categorical framework doesn't have a high-enough resolution to formally capture these differences, there is a rising need to provide one – one that is able to make a distinction between denotationally equivalent, but operationally different kinds of optics.

In the rest of this paper, we will see how this can be done by using higher category theory.

4 Categorical interlude: (1-) vs. oplax colimits

In Figure 10 we have seen that the current coend definition of optics identifies a lot of information that we would like to explicitly keep track of. This happens often in mathematics, where colimits and traditional quotients identify “too much”, leading mathematicians to study more refined versions thereof. In this interlude we explicitly show how to do this. We first show how to add an extra level of fidelity by computing *oplax* colimits instead of colimits, and then showing that the same idea applies to coends, as they're special kind of colimits.

We start out with the well-known monoidal adjunction

$$\mathbf{Set} \begin{array}{c} \xleftarrow{\pi_0} \\ \perp \\ \xrightarrow{\text{discr}} \end{array} \mathbf{Cat}$$

between **Set** and **Cat**, where both categories are endowed with the cartesian product as the monoidal one.¹⁵ The right adjoint functor `discr` sends a set to a discrete category, and the left adjoint π_0 sends a category to its set of connected

¹⁴Observe that it is crucial the underlying category \mathcal{C} is cartesian, as to prove that the diagrams in Eq. 1 commute we need to slide the `get` map through the copy. This will be elaborated in detail in Remark 7.

¹⁵We note that the counit of this adjunction is the identity natural transformation, i.e. $\pi_0(\text{discr}(X)) = X$ for every set X , making **Set** a reflective subcategory of **Cat**.

components.¹⁶ ¹⁷ We show that this adjunction is instrumental in mediating the connection between 1-colimits and (op)lax colimits, latter of which provide an extra level of fidelity necessary for our purposes. This guides us in redefining the hom-set of optics to a hom-*category* of optics, and the category of optics to a 2-category of optics.

As colimits we're interested in are **Set**-colimits, the situation is straightforward. Colimits arise out of a canonical higher-dimensional version thereof: the connected components of the (op)lax colimit of the original functor.

Lemma 1. *Let $F : \mathcal{C} \rightarrow \mathbf{Set}$ be a functor. Then there is an isomorphism*

$$\mathrm{colim}(F) \cong \pi_0(\mathrm{colim}_{\mathrm{oplax}}(F \circ \mathrm{discr}))$$

where $\pi_0 \dashv \mathrm{discr}$ is the adjunction between **Set** and **Cat**.

This is precisely the well-known general formula for computing colimits in **Set** as described in [FS18, Theorem 6.37.] where the equivalence relation described therein is the one arising as the image of π_0 .

If we are interested in having the equivalence relation be explicit as higher-categorical cells, all we have to do is compute the oplax colimit instead – which corresponds to taking the Grothendieck construction of our functor. This is precisely what we set out to do with the notion of a coend in the formulation of optics (note that in Remark 3 we've lost track of directionality of reparameterisation morphisms, precisely because connected components ignore directionality).

One last thing remains: that is to recast the coend as a colimit:

Proposition 4. *Let $F : \mathcal{C}^{\mathrm{op}} \times \mathcal{C} \rightarrow \mathbf{Set}$ be a functor. Then we have that*

$$\int^X F(X, X) \cong \mathrm{colim}(\pi' \circ F)$$

where $\pi' : \mathbf{tw}(\mathcal{C})^{\mathrm{op}} \rightarrow \mathcal{C}^{\mathrm{op}} \times \mathcal{C} := (m \xrightarrow{r} n) \mapsto (n, m)$.¹⁸

Proof. Appendix. □

A higher-categorical version of this proposition can be shown to hold.

Proposition 5 (Oplax coends are oplax colimits). *Let \mathcal{C} be a category and $F : \mathcal{C}^{\mathrm{op}} \times \mathcal{C} \rightarrow \mathbf{Cat}$ an oplax functor. Then*

$$\int^{\mathcal{C}} F(C, C) \simeq \mathrm{colim}_{\mathrm{oplax}}(\pi' \circ F)$$

¹⁶Recall that the set of connected components of a category is a quotient set identifying any two objects connected by a sequence of arrows, where we ignore their direction.

¹⁷The components of the unit of this adjunction are functors $\eta_{\mathcal{C}} : \mathcal{C} \rightarrow \mathrm{discr}(\pi_0(\mathcal{C}))$ with the interesting characterisation that they send every morphism to identity.

¹⁸Equivalently, one may say that the coend of F is the colimit of F *weighted by* the $\mathrm{Hom}_{\mathcal{C}}$ functor. This is precisely what this proposition states: that the category of elements “absorbs” weights.

This involves a routine, but a painstakingly tedious checking of the corresponding universal properties which we thus omit. With these two propositions in hand we can show that there is a following isomorphism

$$\int^{\mathcal{C}} F(C, C) \cong \text{colim}(\pi' \circ F) \cong \pi_0(\text{colim}_{\text{oplax}}(\pi' \circ F \circ \text{discr})) \cong \pi_0(\int^{\mathcal{C}} \text{discr}(F(C, C)))$$

motivating the definition of the hom-*category* of optics as an oplax coend in the following section.

5 2-optics

With the above ideas in mind, we begin to define the 2-category of optics. Throughout this section, we fix a symmetric strict monoidal category \mathcal{C} .¹⁹ We start by defining its hom-categories.

Definition 4. We define the hom-*category* of 2-optics $(A, A') \rightarrow (B, B')$ as the following oplax coend

$$\mathbf{2}\text{-Optic}(\mathcal{C}) \left(\begin{array}{c} A \quad B \\ A' \quad B' \end{array} \right) := \int^{M:\mathcal{C}} \mathcal{C}(A, M \otimes B) \times \mathcal{C}(M \otimes B', A')$$

where \mathcal{C} is implicitly treated as a locally discrete 2-category.

Explicitly, its objects are triples $(M, \text{fw}, \text{bw})$ (as in 2). A morphism $\omega_r : (M_1, \text{fw}_1, \text{bw}_1) \rightarrow (M_2, \text{fw}_2, \text{bw}_2)$ is given by a map $r : M_1 \rightarrow M_2$ such that the following diagrams commute:

$$\begin{array}{ccc} A & \xrightarrow{f} & M \otimes B \\ & \searrow g & \downarrow r \otimes B \\ & & N \otimes B \end{array} \quad \begin{array}{ccc} M \otimes B' & \xrightarrow{f^\#} & A' \\ r \otimes B' \downarrow & & \nearrow g^\# \\ N \otimes B' & & \end{array} \quad (5)$$

Morphisms of optics are subject to the following axioms:

- $\omega_{id_{M_1}} = id_{(M_1, \text{fw}_1, \text{bw}_1)}$, and
- $\omega_{r \circ s} = \omega_r \circ \omega_s$ for any $r : M_1 \rightarrow M_2$ and $s : M_2 \rightarrow M_3$.

They tell us that a) an optic morphism induced by the identity residual morphism is equal to the identity optic morphism, and b) a composition of optic morphisms that are individually induced by residual morphisms is equal to the optic morphism induced by the composition of the aforementioned residual morphisms.

¹⁹This means we assume the associativity and unitality hold strictly, but not symmetry. This kind of a monoidal category is sometimes referred to as a *permutative* category.

Remark 5. *Unlike with 1-optics (Remark 3), morphisms of optics are not quotiented out by an equivalence relation, but instead residual morphisms are refied as explicit 2-cells.*

Directedness plays an important role here. A 2-cell $\omega_r : (M_1, \text{fw}_1, \text{bw}_1) \rightarrow (M_2, \text{fw}_2, \text{bw}_2)$ can be interpreted operationally in a few ways:

- We say it *moves the boundary down* from M_1 to M_2 .
- We say it *moves the reparameterisation up* from the backward pass to the forward pass.
- We think of the arrow as saying “can be optimised to”. The idea is that the transport of the reparameterisation to the forward pass allows us to statically simplify the resulting computation, potentially removing any redundancies.

We’re finally in a position of being able to define the 2-category of optics.

Definition 5. *We define the 2-category of optics $\mathbf{2-Optic}(\mathcal{C})$ with the following data:*

- *Its objects are the same as those of $\mathbf{Optic}(\mathcal{C})$, i.e. pairs of objects in \mathcal{C} ;*
- *The hom-category is defined as in Def. 4, i.e. morphisms are optics and 2-cells are optic reparameterisations*

Proof. As this definition closely follows that of the 1-categorical $\mathbf{Optic}(\mathcal{C})$, all we have to check is that this coherently behaves with respect to strictness. For instance, composing three optics with residuals M_1, M_2 , and M_3 respectively yields an optic with residuals either $(M_1 \otimes M_2) \otimes M_3$ or $M_1 \otimes (M_2 \otimes M_3)$. But as our starting monoidal category has strict associators, these are equal. Similar argument holds for unitality, making this a 2-category.²⁰ \square

This 2-categorical construction can always be turned back to the 1-categorical one by locally quotienting things out.

Proposition 6. *There is an isomorphism*

$$\pi_{0^*}(\mathbf{2-Optic}(\mathcal{C})) \cong \mathbf{Optic}(\mathcal{C})$$

where $\pi_{0^*} : \mathbf{2-Cat} \rightarrow \mathbf{Cat}$ is the enriched base change of the connected components functor π_0 .

Proof. This is straightforward to show as π_{0^*} is identity-on-objects, and on the hom-category it’s defined as the application of π_0 . \square

Having upgraded our optics to a 2-category, we ask whether the previously defined equivalence between cartesian lenses and cartesian optics described in the subsection 3.1 has a higher dimensional counterpart. We will see that the answer is yes, and we proceed to unpack these much more involved constructions.

²⁰We observe that if our starting category was merely symmetric monoidal, $\mathbf{2-Optic}(\mathcal{C})$ would be a bicategory, which is a headache we want to avoid.

5.1 Cartesian 2-optics

In this subsection we assume the monoidal product of \mathcal{C} is given by the cartesian one. Recall that in Prop. 1 we have shown that there is a local isomorphisms between the hom-sets of lenses and optics. As we've upgraded our optics to a 2-category, we might suspect that the corresponding isomorphism is upgraded too. We see that it is – to an adjunction.

Theorem 1. *There is an adjunction*

$$\text{Lens}_{\text{Cart}}(\mathcal{C}) \left(\begin{array}{c} A \quad B \\ A' \quad B' \end{array} \right) \quad \begin{array}{c} \xrightarrow{R} \\ \perp \\ \xleftarrow{E} \end{array} \quad \mathbf{2}\text{-Optic}(\mathcal{C}) \left(\begin{array}{c} A \quad B \\ A' \quad B' \end{array} \right)$$

given by

1. Residual reifier R , the left adjoint functor which chooses a canonical residual for every lens:

$$R\left(\begin{array}{c} f \\ f' \end{array}\right) := (A, \text{graph}(f), f')$$

As the domain is a set, the action of R on morphisms is trivial.

2. Residual eraser E , the right adjoint which normalises the optic to its cartesian representation:

$$E((M, \text{fw}, \text{bw})) := \left(\begin{array}{c} \text{fw} \circlearrowright \pi_2 \\ (\text{fw} \circlearrowright \pi_1) \times B' \circlearrowright \text{bw} \end{array} \right)$$

As the codomain is a set, every morphism must be sent to the identity one.

3. (Vacuously natural) identity transformation η , the unit of the adjunction.
4. The natural transformation ϵ , the counit of the adjunction whose component at each optic $(M, \text{fw}, \text{bw})$ is an optic morphism

$$\epsilon_{(M, \text{fw}, \text{bw})} : R(E(M, \text{fw}, \text{bw})) \Rightarrow (M, \text{fw}, \text{bw})$$

defined by the reparameterisation $\text{fw} \circlearrowright \pi_1 : A \rightarrow M$ in \mathcal{C} .

Proof. Appendix. □

Remark 6. As unit is the identity 2-cell (and thus an isomorphism), this means that $\text{Lens}_{\text{Cart}}(\mathcal{C})$ is locally a coreflective subcategory of $\mathbf{2}\text{-Optic}(\mathcal{C})$. Even more, this is sometimes called a rali or a lari adjunction [CL20, Def. 1.2.] as the unit is the identity 2-cell.

This defines a local adjunction on hom-categories. To show that there is some higher correspondence between the $\mathbf{Lens}_{\mathbf{Cart}}(\mathcal{C})$ and $\mathbf{2-Optic}(\mathcal{C})$ that is not just local, we need to check whether we can use it to define functors going both ways. As our codomain is now a 2-category, we can reasonably expect an (op)lax functor to appear. And having in mind the question posed in Subsection 3.3 we will see that our functor is indeed *oplax*, as it doesn't preserve composition on the nose, instead distinguishing between the aforementioned optics.

Theorem 2. *There is an identity-on-objects, oplax 2-functor embedding the category of lenses into the 2-category of optics:*

$$\iota : \mathbf{Lens}_{\mathbf{Cart}}(\mathcal{C}) \rightarrow \mathbf{2-Optic}(\mathcal{C})$$

defined as follows. Its action on hom-sets of $\mathbf{Lens}_{\mathbf{Cart}}(\mathcal{C})$ is defined in Thm. 1. Its oplaxator is the natural transformation δ

$$\begin{array}{ccc} \mathbf{Lens}_{\mathbf{Cart}}(\mathcal{C}) \left(\begin{array}{c} A \\ A' \end{array}, \begin{array}{c} B \\ B' \end{array} \right) \times \mathbf{Lens}_{\mathbf{Cart}}(\mathcal{C}) \left(\begin{array}{c} B \\ B' \end{array}, \begin{array}{c} C \\ C' \end{array} \right) & \xrightarrow{\text{Compose}} & \mathbf{Lens}_{\mathbf{Cart}}(\mathcal{C}) \left(\begin{array}{c} A \\ A' \end{array}, \begin{array}{c} C \\ C' \end{array} \right) \\ \downarrow \text{Turn into optics} & \swarrow \delta & \downarrow \text{Turn into optics} \\ \mathbf{2-Optic}(\mathcal{C}) \left(\begin{array}{c} A \\ A' \end{array}, \begin{array}{c} B \\ B' \end{array} \right) \times \mathbf{2-Optic}(\mathcal{C}) \left(\begin{array}{c} B \\ B' \end{array}, \begin{array}{c} C \\ C' \end{array} \right) & \xrightarrow{\text{Compose}} & \mathbf{2-Optic}(\mathcal{C}) \left(\begin{array}{c} A \\ A' \end{array}, \begin{array}{c} C \\ C' \end{array} \right) \end{array}$$

which to every pair of lenses $\begin{pmatrix} A \\ A' \end{pmatrix} \xrightarrow{\begin{pmatrix} f \\ f' \end{pmatrix}} \begin{pmatrix} B \\ B' \end{pmatrix}$ and $\begin{pmatrix} B \\ B' \end{pmatrix} \xrightarrow{\begin{pmatrix} g \\ g' \end{pmatrix}} \begin{pmatrix} C \\ C' \end{pmatrix}$ assigns the reparameterisation $\mathbf{graph}(f) : A \rightarrow A \times B$ between the corresponding optics $\iota\left(\begin{pmatrix} f \\ f' \end{pmatrix} \circledast \begin{pmatrix} g \\ g' \end{pmatrix}\right)$ and $\iota\left(\begin{pmatrix} f \\ f' \end{pmatrix}\right) \circledast \iota\left(\begin{pmatrix} g \\ g' \end{pmatrix}\right)$. Its opunitator to each object $\begin{pmatrix} A \\ A' \end{pmatrix}$ assigns a natural transformation ϵ^t whose unique component 2-cell $\epsilon^t : \iota(id_{\begin{pmatrix} A \\ A' \end{pmatrix}}) \Rightarrow id_{\iota\left(\begin{pmatrix} A \\ A' \end{pmatrix}\right)}$ is given by the reparameterisation $!_A : A \rightarrow 1$.

Proof. We first need to prove that $\mathbf{graph}(f)$ is a well-defined reparameterisation between $\iota\left(\begin{pmatrix} f \\ f' \end{pmatrix} \circledast \begin{pmatrix} g \\ g' \end{pmatrix}\right)$ and $\iota\left(\begin{pmatrix} f \\ f' \end{pmatrix}\right) \circledast \iota\left(\begin{pmatrix} g \\ g' \end{pmatrix}\right)$. These two unpack to two optics previously drawn in Figure 10:

$$\begin{aligned} \iota\left(\begin{pmatrix} f \\ f' \end{pmatrix} \circledast \begin{pmatrix} g \\ g' \end{pmatrix}\right) &\rightsquigarrow (A, \mathbf{graph}(f \circledast g), (\mathbf{graph}(f) \times C') \circledast (A \times g') \circledast f') \\ \iota\left(\begin{pmatrix} f \\ f' \end{pmatrix}\right) \circledast \iota\left(\begin{pmatrix} g \\ g' \end{pmatrix}\right) &\rightsquigarrow (A \times B, \mathbf{graph}(f) \circledast (A \times \mathbf{graph}(g)), (A \times g') \circledast f') \end{aligned}$$

Once reparameterised, we can see that the residuals and backward maps of these optics are equal on the nose. This leaves us with just proving that the forward parts are. We postpone this proof to Remark 7 as it has special meaning in terms of rewrites. From the naturality of the delete map it is straightforward to prove that the opunitor reparameterisation $!_A$ is well-defined too.

Lastly, what needs to be proven is that lax associativity and lax left and right unity are satisfied ([JY20, Eq. 4.1.19 and 4.1.20]). This becomes evident once the diagrams are properly unpacked, and simple axioms of a cartesian category (associativity and naturality of copy, interaction of copy and delete) are sufficient to prove it. \square

Remark 7. *The attentive reader might have noticed a peculiarity regarding the two possible ways of composing lenses into optics. Namely, reparameterising the forward part $\mathbf{graph}(f \circledast g)$ of the optic $\iota\left(\begin{smallmatrix} f \\ f' \end{smallmatrix}\right) \circledast \left(\begin{smallmatrix} g \\ g' \end{smallmatrix}\right)$ with $\mathbf{graph}(f) : A \rightarrow A \times B$ yields the forward part $\mathbf{graph}(f \circledast g) \circledast (\mathbf{graph}(f) \times C)$. To show that this morphism is indeed equal to the forward part $\mathbf{graph}(f) \circledast (A \times \mathbf{graph}(g))$ of the optic $\iota\left(\begin{smallmatrix} f \\ f' \end{smallmatrix}\right) \circledast \iota\left(\begin{smallmatrix} g \\ g' \end{smallmatrix}\right)$ we need to exhibit an additional proof.*

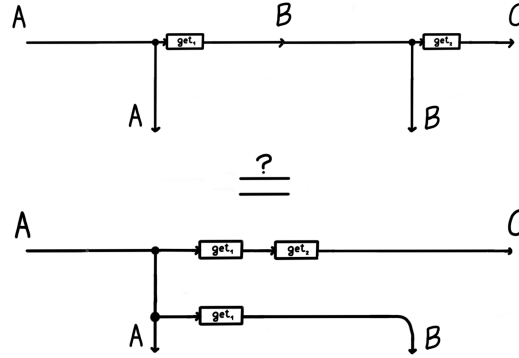


Figure 11: Two equivalent optic forward parts: $\mathbf{graph}(f) \circledast (A \times \mathbf{graph}(g))$ (top) and $\mathbf{graph}(f \circledast g) \circledast (\mathbf{graph}(f) \times C)$ (bottom).

This proof is rather simple as the rewrite can be made by applying associativity and naturality of the copy map. But surprisingly, this proof is the main reason why optics can trade space for time. This is because we can compute the \mathbf{get}_1 once, and the copy the result instead of copying the input and applying \mathbf{get}_1 twice, separately.

Remark 8. *We do not provide a proof in this paper, but closed lenses exhibit lax structure when embedded into 2-optics. However, they happen not to permit any additional rewrites as a result of this. This means that their operational*

characteristics end up the same as those of optics. This might be the reason why essentially closed lenses are what’s used in [Ell18] and many automatic differentiation libraries, as function spaces are a feature in most languages, but dependent types, which are required for optics, are not.

Having defined the embedding of lenses into optics, we can also go the other way. This time, we have a strict 2-functor.

Proposition 7. *There is a strict identity-on-objects 2-functor $\mathbf{2-Optic}(\mathcal{C}) \xrightarrow{\pi_*} \mathbf{Lens}_{\mathbf{Cart}}(\mathcal{C})$ normalising an optic to its lens representation whose action on hom-objects is defined in Thm 1.*

5.2 What world do these constructions live in?

So far we’ve had an obstacle-free path retelling the story of optics in the 2-categorical language. We have defined the 2-category of optics and showed that, in the cartesian case, there’s an oplax functor going to lenses, and a strict 2-functor going backwards. As their lower-dimensional version formed an isomorphism, the natural next step is to check whether these two weak functors form some kind of a weaker version of an isomorphism – such as an equivalence or an adjunction. This necessitates finding a suitable ambient 2-category, and is where peculiarities start appearing.

We first recall all the data defined so far, and some relevant properties:

- Our 0-cells are 2-categories;
- Our 1-cells are not all strict;
- Our 1-cells ι and π_* are *identity-on-objects*;
- Thm. 1 establishes a local hom-category *adjunction*, and not a mere isomorphism.

Looking at only the first three bullet points, we would be lead down a rabbit hole that eventually proves to be a dead end. As the second bullet point states that our 1-cells are not all strict, this rules out the 2-category $\mathbf{2-Cat}$ of 2-categories, 2-functors and lax transformations as a suitable candidate. This means we need a 2-category whose 1-cells are lax functors. Famously, such a 2-category where 2-cells are any of the usual strict/pseudo/(op)lax/ transformations actually doesn’t exist [Shu]. What does exist is a 2-category $\mathbf{2-Cat}^{\text{ic}}$ of 2-categories, lax functors and a restricted kind of an oplax natural transformation called an *icon* ([Lac07], [JY20, Theorem 4.6.13.]). Icons are oplax natural transformations that are defined *only when the underlying lax functors agree on objects*. However, we see from the third bullet point that this is indeed the case for us! We can indeed define these icons, and we will see that one of them is identity. This makes one of the triangle identities commute automatically. However, problems arise when when we check the other one – we find that it doesn’t commute.

This is because of the fourth bullet point: an adjunction requires a local isomorphism, but we locally have an adjunction itself. This rules out the possibility of an adjunction internal to a 2-category – meaning we have to search for a weaker 2-categorical analogue thereof. This leads us to consider the notion of a *lax 2-adjunction* instead, defined internal to a *3-category*. This is a concept weak enough in for our purposes, describing exactly the setting of a local adjunction between hom-categories.

This is where our search, in its current form, stops. Even though there is a special restricted kind of 2-category $\mathbf{2-Cat}^{\text{ic}}$ whose 2-cells are icons, there truly is no *3-category* whose 0-cells are 2-categories and 1-cells are lax functors. Thus the question as we’ve posed it indeed has no answers.

On the other hand, we might want to pose a different question. All of our constructions are restricted in some ways – 1-cells are identity on objects and 2-cells have identity components. Perhaps our approach is failing because 0-cells are also restricted, but we’re not looking at them from the right perspective?

This is indeed the case. It turns out that there is an embedding $\mathbf{2-Cat}^{\text{ic}} \rightarrow \mathbf{Db1}$ where $\mathbf{Db1}$ is the 3-category of double categories, lax functors, lax transformations and modifications. It sends a 2-category to a vertically discrete double category, a lax functor to a lax functor between the corresponding double categories and an icon to vertical transformations.

This means that our 2-category of optics should really be thought of as a double category with only trivial vertical arrows. As $\mathbf{Db1}$ is a 3-category this means that it is a plausible setting for defining a lax 2-adjunction. This leaves us with the conjecture that the well-known isomorphism between $\mathbf{Lens}_{\text{Cart}}(\mathcal{C})$ and $\mathbf{Optic}(\mathcal{C})$ is a shadow of the lax 2-adjunction in the 3-category $\mathbf{Db1}$ between $\mathbf{Lens}_{\text{Cart}}(\mathcal{C})$ and $\mathbf{2-Optic}(\mathcal{C})$ appropriately thought of as double categories. The proof of this conjecture is something we leave to future work.

References

- [BCG⁺21] Dylan Braithwaite, Matteo Capucci, Bruno Gavranović, Jules Hedges, and Eigil Fjeldgren Rischel. Fibre optics. *arXiv e-prints*, page arXiv:2112.11145, December 2021.
- [BHZ19] Joe Bolt, Jules Hedges, and Philipp Zahn. Bayesian open games. *arXiv e-prints*, page arXiv:1910.03656, October 2019.
- [Boi20] Guillaume Boisseau. String Diagrams for Optics. *arXiv e-prints*, page arXiv:2002.11480, February 2020.
- [Cap22] Matteo Capucci. Diegetic representation of feedback in open games. *arXiv e-prints*, page arXiv:2206.12338, June 2022.
- [CEG⁺20] Bryce Clarke, Derek Elkins, Jeremy Gibbons, Fosco Loregian, Bartosz Milewski, Emily Pillmore, and Mario Román. Profunctor optics: A categorical update. arXiv:2001.07488, 2020.

- [CGG⁺21] Geoff S. H. Cruttwell, Bruno Gavranović, Neil Ghani, Paul W. Wilson, and Fabio Zanasi. Categorical foundations of gradient-based learning. *CoRR*, abs/2103.01931, 2021.
- [CL20] Maria Manuel Clementino and Fernando Lucatelli Nunes. Lax comma 2-categories and admissible 2-functors. *arXiv e-prints*, page arXiv:2002.03132, February 2020.
- [CXZG16] Tianqi Chen, Bing Xu, Chiyuan Zhang, and Carlos Guestrin. Training Deep Nets with Sublinear Memory Cost. *arXiv e-prints*, page arXiv:1604.06174, April 2016.
- [Ell18] Conal Elliott. The simple essence of automatic differentiation. *arXiv e-prints*, page arXiv:1804.00746, April 2018.
- [FJ19] Brendan Fong and Michael Johnson. Lenses and Learners. *arXiv e-prints*, page arXiv:1903.03671, March 2019.
- [FS18] Brendan Fong and David I Spivak. Seven Sketches in Compositionality: An Invitation to Applied Category Theory. *arXiv e-prints*, page arXiv:1803.05316, March 2018.
- [Gav22a] Bruno Gavranović. Optics vs lenses, operationally. 2022.
- [Gav22b] Bruno Gavranović. Theory and Applications of Lenses and Optics. 2022.
- [GHWZ16] Neil Ghani, Jules Hedges, Viktor Winschel, and Philipp Zahn. Compositional game theory. *arXiv e-prints*, page arXiv:1603.04641, March 2016.
- [GLP21] Fabrizio Genovese, Fosco Loregian, and Daniele Palombi. Escrows are optics. *arXiv e-prints*, page arXiv:2105.10028, May 2021.
- [GW00] Andreas Griewank and Andrea Walther. Algorithm 799: Revolve: An implementation of checkpointing for the reverse or adjoint mode of computational differentiation. *ACM Trans. Math. Softw.*, 26(1):19–45, mar 2000.
- [Hed18] Jules Hedges. Limits of bimorphic lenses. *arXiv e-prints*, page arXiv:1808.05545, August 2018.
- [HR22] Jules Hedges and Riu Rodríguez Sakamoto. Value iteration is optic composition. *arXiv e-prints*, page arXiv:2206.04547, June 2022.
- [Jaz20] David Jaz Myers. Double Categories of Open Dynamical Systems (Extended Abstract). *arXiv e-prints*, page arXiv:2005.05956, May 2020.
- [JY20] Niles Johnson and Donald Yau. 2-Dimensional Categories. *arXiv e-prints*, page arXiv:2002.06055, February 2020.

- [KW21] Kotaro Kamiya and John Welliaveetil. A category theory framework for Bayesian learning. *arXiv e-prints*, page arXiv:2111.14293, November 2021.
- [Lac07] Stephen Lack. Icons. *arXiv e-prints*, page arXiv:0711.4657, November 2007.
- [PGW17] Matthew Pickering, Jeremy Gibbons, and Nicolas Wu. Profunctor Optics: Modular Data Accessors. *arXiv e-prints*, page arXiv:1703.10857, March 2017.
- [Ril18] Mitchell Riley. Categories of Optics. *arXiv e-prints*, page arXiv:1809.00738, September 2018.
- [Sel10] P. Selinger. A survey of graphical languages for monoidal categories. *Lecture Notes in Physics*, page 289–355, 2010.
- [Shu] Mike Shulman. The problem with lax functors.
- [Spi19] David I. Spivak. Generalized Lens Categories via functors $\mathcal{C}^{\text{op}} \rightarrow \text{Cat}$. *arXiv e-prints*, page arXiv:1908.02202, August 2019.
- [Spi21] David I. Spivak. Functorial aggregation. *arXiv e-prints*, page arXiv:2111.10968, November 2021.
- [VC22] Andre Videla and Matteo Capucci. Lenses for Composable Servers. *arXiv e-prints*, page arXiv:2203.15633, March 2022.
- [Ver22] Pietro Vertechi. Dependent Optics. *arXiv e-prints*, page arXiv:2204.09547, April 2022.

A Appendix

Theorem 1. *There is an adjunction*

$$\text{Lens}_{\text{Cart}}(\mathcal{C}) \left(\begin{array}{c} A \quad B \\ A' \quad B' \end{array} \right) \quad \perp \quad \mathbf{2}\text{-Optic}(\mathcal{C}) \left(\begin{array}{c} A \quad B \\ A' \quad B' \end{array} \right)$$

given by

1. Residual reifier R , the left adjoint functor which chooses a canonical residual for every lens:

$$R\left(\begin{array}{c} f \\ f' \end{array}\right) := (A, \text{graph}(f), f')$$

As the domain is a set, the action of R on morphisms is trivial.

2. Residual eraser E , the right adjoint which normalises the optic to its cartesian representation:

$$E((M, \text{fw}, \text{bw})) := \left(\begin{array}{c} \text{fw} \circledast \pi_2 \\ (\text{fw} \circledast \pi_1) \times B' \circledast \text{bw} \end{array} \right)$$

As the codomain is a set, every morphism must be sent to the identity one.

3. (Vacuously natural) identity transformation η , the unit of the adjunction.
 4. The natural transformation ϵ , the counit of the adjunction whose component at each optic $(M, \text{fw}, \text{bw})$ is an optic morphism

$$\epsilon_{(M, \text{fw}, \text{bw})} : R(E(M, \text{fw}, \text{bw})) \Rightarrow (M, \text{fw}, \text{bw})$$

defined by the reparameterisation $\text{fw} \circledast \pi_1 : A \rightarrow M$ in \mathcal{C} .

Proof. We first prove well-definedness of the residual eraser E . As E maps every optic morphism $r : o_1 \Rightarrow o_2$ to identity, we have to show that $Eo_1 = Eo_2$. But here we use the existing equivalence between lenses and the *1-category* of optics (Prop. 1) – where these lenses are equivalent if and only if the corresponding 1-optics are. That is indeed true, as r is a witness to such equivalence.

We now prove that both η and ϵ is well-defined. For η we notice that starting from a lens, reifying its residual and then erasing it lands us back *exactly* with the starting lens. It's easy to see that this assignment is vacuously natural as

$\mathbf{Lens}_{\mathbf{Cart}}(\mathcal{C}) \left(\begin{array}{c} A \\ A', B' \end{array} \right)$ is discrete. For ϵ , we can see that starting from an optic

$(M, \text{fw}, \text{bw})$, erasing the residual (yielding $\left(\begin{array}{c} \text{fw} \circledast \pi_2 \\ (f \circledast \pi_1) \times B' \circledast f' \end{array} \right)$) and then reifying the residual results in an optic $(A, \mathbf{graph}(\text{fw} \circledast \pi_2), (\text{fw} \circledast \pi_1) \times B' \circledast \text{bw})$. We need to check whether $\text{fw} \circledast \pi_1$ is a well-defined optic 2-cell:

$$(A, \mathbf{graph}(\text{fw} \circledast \pi_2), (\text{fw} \circledast \pi_1) \times B' \circledast \text{bw}) \xrightarrow{\text{fw} \circledast \pi_1} (M, \text{fw}, \text{bw}) \quad (6)$$

But this is easy to verify. As optic 2-cells move reparameterisations backward, the place where we have to look for a suitable reparameterisation of type $A \rightarrow M$ is precisely in the backward pass of the left-hand side. And it is indeed there - it's the morphism $\text{fw} \circledast \pi_1$. We next need to prove that ϵ is natural. This means that for every optic morphism $r : (M_1, \text{fw}_1, \text{bw}_1) \rightarrow (M_2, \text{fw}_2, \text{bw}_2)$ the equation $\epsilon_{(M_1, \text{fw}_1, \text{bw}_1)} \circledast r = R(E(r)) \circledast \epsilon_{(M_2, \text{fw}_2, \text{bw}_2)}$ needs to hold. As $R(E(r))$ is identity, this reduces to showing that $\text{fw} \circledast \pi_1 \circledast r = \text{fw}_2 \circledast \pi_1$ which follows from Eq. 5 (left).

Lastly, to prove this data indeed defines an adjunction, we need to show that the following diagrams commute.

$$\begin{array}{ccc}
R & \xrightarrow{\eta \circledast R} & R \circledast E \circledast R \\
& \searrow & \downarrow R \circledast \epsilon \\
& & R
\end{array}
\qquad
\begin{array}{ccc}
E & \xrightarrow{E \circledast \eta} & E \circledast R \circledast E \\
& \searrow & \downarrow \epsilon \circledast E \\
& & E
\end{array}$$

As η is the identity natural transformation, this means that $\eta \circledast R = R$ and $E \circledast \eta = E$, reducing the proofs to $R \circledast \epsilon = \text{id}_R$ and $\epsilon \circledast E = \text{id}_E$, respectively. For the former, we need to show that applying the counit from Eq. 6 on $(A, \mathbf{graph}(f), f')$ naturally the identity morphism. This is easy to show as the underlying reparameterisation morphism $\mathbf{fw} \circledast \pi_1$ in for $\mathbf{fw} := \mathbf{graph}(f)$ via Prop. 9 reduces to identity. For the latter, we need to show that applying E to the same counit yields identity. This is also straightforward as E maps every morphism to identity. \square

Definition 6 (Ends as limits). *Let \mathcal{C} be a category. We call $\mathbf{tw}(\mathcal{C})$ the twisted arrow category of \mathcal{C} defined as the category of elements of its hom functor.*

$$\mathbf{tw}(\mathcal{C}) := \text{El}(\text{Hom}_{\mathcal{C}})$$

It comes equipped with the projection $\pi_{\mathcal{C}} : \mathbf{tw}(\mathcal{C}) \rightarrow \mathcal{C}^{\text{op}} \times \mathcal{C}$.

Proposition 8. *There is a canonical isomorphism $\mathbf{tw}(\mathcal{C}) \cong \mathbf{tw}(\mathcal{C}^{\text{op}})$.*

Proposition 4. *Let $F : \mathcal{C}^{\text{op}} \times \mathcal{C} \rightarrow \mathbf{Set}$ be a functor. Then we have that*

$$\int^X F(X, X) \cong \text{colim}(\pi' \circledast F)$$

where $\pi' : \mathbf{tw}(\mathcal{C})^{\text{op}} \rightarrow \mathcal{C}^{\text{op}} \times \mathcal{C} := (m \xrightarrow{r} n) \mapsto (n, m)$.²¹

²¹Equivalently, one may say that the coend of F is the colimit of F weighted by the $\text{Hom}_{\mathcal{C}}$ functor. This is precisely what this proposition states: that the category of elements “absorbs” weights.

Proof.

$$\begin{aligned}
& \int^{\mathcal{C}} F(C, C) \\
& \cong \text{(Duality of ends and coends)} \\
& \int_{\mathcal{C}} F^{\text{op}}(C, C) \\
& \cong \text{(Ends as limits)} \\
& \lim(\text{tw}(\mathcal{C}^{\text{op}}) \xrightarrow{\pi_{\mathcal{C}^{\text{op}}}} \mathcal{C} \times \mathcal{C}^{\text{op}} \xrightarrow{F^{\text{op}}} \mathbf{Set}^{\text{op}}) \\
& \cong \text{(Duality of limits and colimits)} \\
& \text{colim}(\text{tw}(\mathcal{C}^{\text{op}})^{\text{op}} \xrightarrow{\pi_{\mathcal{C}^{\text{op}}}^{\text{op}}} \mathcal{C}^{\text{op}} \times \mathcal{C} \xrightarrow{F} \mathbf{Set}) \\
& \cong \text{(Prop. 8)} \\
& \text{colim}(\text{tw}(\mathcal{C})^{\text{op}} \xrightarrow{\pi_{\mathcal{C}}'} \mathcal{C}^{\text{op}} \times \mathcal{C} \xrightarrow{F} \mathbf{Set})
\end{aligned}$$

□

Definition 7. Let $f : A \rightarrow B$ be a morphism in cartesian category \mathcal{C} . Then we denote by $\mathbf{graph}(f)$ the composite

$$A \xrightarrow{\Delta_A} A \times A \xrightarrow{A \times f} A \times B$$

This is called the *graph* of f .²²

Proposition 9. Let $f : A \rightarrow B$ in a cartesian category \mathcal{C} . Then we have that

$$\begin{aligned}
\mathbf{graph}(f) \circ \pi_2 &= f, \quad \text{and} \\
\mathbf{graph}(f) \circ \pi_1 &= id_A
\end{aligned}$$

²²It's called the *graph* of f because its image is a set of pairs $(a, f(a))$ which we can think of as points in a coordinate plane to be graphed.