

On the design of multiplex control to reject disturbances in nonlinear network systems affected by heterogeneous delays

Shihao Xie¹ and Giovanni Russo²

Abstract—We consider the problem of designing control protocols for nonlinear network systems affected by heterogeneous, time-varying delays and disturbances. For these networks, the goal is to reject polynomial disturbances affecting the agents and to guarantee the fulfilment of some desired network behaviour. To satisfy these requirements, we propose an integral control design implemented via a multiplex architecture. We give sufficient conditions for the desired disturbance rejection and stability properties by leveraging tools from contraction theory. We illustrate the effectiveness of the results via a numerical example that involves the control of a multi-terminal high-voltage DC grid.

I. INTRODUCTION

Over the past decades, the size and complexity of network systems have considerably evolved thanks to the rapid development of computing and communication technologies. Much research efforts have been devoted to study collective behaviours such as consensus, synchronisation, formation control. A key challenge when designing the control protocols is to achieve desired behaviours despite imperfect communications, exogenous disturbances and delays.

In this context, we study the problem of designing distributed integral control protocols that guarantee the fulfilment of the desired network behaviour, while rejecting certain classes of disturbances. These requirements are captured via an Input-to-State Stability (ISS) property and we give sufficient conditions for this property based on non-Euclidean contraction theory.

Related works: the design of integral control protocols for network systems that are able to reject constant disturbances has been investigated in e.g. [1], [2]. In [3], a PI controller is delivered via multiplex architecture to achieve consensus. Recently, in [4], integral actions delivered by multiplex architecture with multiple layers are shown to be effective in rejecting higher order polynomial disturbances while guaranteeing a *scalability* property. The results in this paper are based on ideas from contraction theory [5], particularly leveraging the use of non-Euclidean norms [6], [7], [8]. We refer to [9], [10], [11] and references therein for details. In the context of delay-free networks, leveraging contraction theory, conditions for the synthesis of distributed controls using separable control contraction metrics are given in [12]; contracting recurrent network is introduced in [13] with guarantees of stability and robustness. For network

systems affected by delays, [14] shows the preservation of contraction for a time-delayed network using Euclidean contraction metric and, in [4], conditions are given for networks with homogeneous delays.

Statement of Contributions: we present a distributed multiplex integral control design for nonlinear network systems affected by both heterogeneous time-varying delays and disturbances (possibly with polynomial components). The goal of the control protocol is to guarantee, for the network: (i) rejection of polynomial disturbances; (ii) the fulfilment of some desired behaviours. These properties are rigorously formalised in Section III. Specifically, our technical contributions can be summarised as follows: (i) we formalise the control problem as an Input-Output Stability problem and give sufficient conditions to assess this property. While the results of this paper leverage some of the tools from [4], here, differently from [4], we consider a weaker stability property for networks with heterogeneous delays. In [4], although a stronger scalability property was considered, results were obtained by assuming that the network has homogeneous delays; (ii) we show that our results can serve as design guidelines for the control protocol; (iii) the results are validated on the problem of designing a control protocol for multi-terminal high-voltage DC (MTDC) grid and we show how the conditions can be fulfilled by solving a convex optimisation problem. Simulations confirm the effectiveness of the results.

II. MATHEMATICAL PRELIMINARIES

Given a norm $\|\cdot\|$, we denote by $\|A\|$ its induced matrix norm with respect to a $m \times m$ real matrix A and the corresponding matrix measure $\mu(A) = \lim_{h \rightarrow 0^+} \frac{\|I+hA\| - 1}{h}$. The symmetric part of a matrix A is denoted as $[A]_s := \frac{A+A^T}{2}$. For $\eta \in \mathbb{R}_{>0}^n$, we define a diagonal matrix by $[\eta] \in \mathbb{R}^{n \times n}$ with $[\eta]_{ii} = \eta_i$, $i \in \{1, \dots, n\}$. The diagonally weighted ℓ_∞ -norm of $x \in \mathbb{R}^n$ is defined as $\|x\|_{\infty, [\eta]^{-1}} := \max_i \{|x_i|/\eta_i\}$ with the induced matrix norm $\|A\|_{\infty, [\eta]^{-1}} := \max_i \{\sum_j \frac{\eta_j}{\eta_i} |A_{ij}|\}$ and matrix measure $\mu_{\infty, [\eta]^{-1}}(A) := \max_i \{A_{ii} + \sum_{j \neq i} \frac{\eta_j}{\eta_i} |A_{ij}|\}$. We denote by \mathbb{I}_n the $n \times n$ identity matrix, by $0_{m \times n}$ the $m \times n$ zero matrix (if $m = n$ we simply write 0_n) and by $\mathbf{1}_n \in \mathbb{R}^n$ the one vector. Let f be a sufficiently smooth function, we denote by $f^{(n)}$ the n -th derivative of f . We recall that a continuous function $\alpha : [0, a) \rightarrow [0, \infty)$ is said to belong to class \mathcal{K} if it is strictly increasing and $\alpha(0) = 0$. It is said to belong to class \mathcal{K}_∞ if $a = \infty$ and $\alpha(r) \rightarrow \infty$ as $r \rightarrow \infty$. A continuous function $\beta : [0, a) \times [0, \infty) \rightarrow [0, \infty)$ is said to belong to class \mathcal{KL} if, for each fixed s , the mapping $\beta(r, s)$ belongs to

¹Shihao Xie is with School of Electrical and Electronic Engineering, University College Dublin, Ireland shihao.xie1@ucdconnect.ie

²Giovanni Russo is with the Department of Information and Electrical Engineering and Applied Mathematics, University of Salerno, Italy giovarusso@unisa.it

class \mathcal{K} with respect to r and, for each fixed r , the mapping $\beta(r, s)$ is decreasing with respect to s and $\beta(r, s) \rightarrow 0$ as $s \rightarrow \infty$.

The following results, originally introduced in [15], can be found in its current form in [16].

Lemma 1. *Given r positive integers n_1, \dots, n_r such that $n_1 + \dots + n_r = n$. Consider the vector $x := [x_1^\top, \dots, x_r^\top]^\top \in \mathbb{R}^n$, $x_i \in \mathbb{R}^{n_i}$. We let the composite norm $\|x\|_{\text{cmpst}} := \|\| \|x_1\|_1, \dots, \|x_r\|_r \|_{\text{agg}}$, with $\|\cdot\|_i (\|\cdot\|_{\text{agg}})$ being local (aggregating) norms on $\mathbb{R}^{n_i} (\mathbb{R}^n)$, and induced matrix norm $\|\cdot\|_i (\|\cdot\|_{\text{agg}})$ and matrix measure $\mu_i(\cdot) (\mu_{\text{agg}}(\cdot))$. Finally, given an $n \times n$ block matrix A with $A_{ij} \in \mathbb{R}^{n_i \times n_j}$, define:*

- (i) the aggregate majorant $\lceil A \rceil$ with $(\lceil A \rceil)_{ij} = \|A_{ij}\|_{ij}$;
- (ii) the aggregate Metzler majorant $\lceil A \rceil_M$ with

$$(\lceil A \rceil_M)_{ij} = \begin{cases} \|A_{ij}\|_{ij}, & \text{if } j \neq i, \\ \mu_i(A_{ii}), & \text{if } j = i, \end{cases}$$

where $\|A_{ij}\|_{ij} := \sup_{\|x_j\|_j=1} \|A_{ij}x_j\|_i$.

Then,

- (i) the composite norm $\|\cdot\|_{\text{cmpst}}$ is well-defined, i.e. satisfying the norm properties;
- (ii) If the aggregating norm $\|\cdot\|_{\text{agg}}$ is monotonic, then:
 - 1) $\mu_{\text{cmpst}}(A) \leq \mu_{\text{agg}}(\lceil A \rceil_M)$;
 - 2) $\|A\|_{\text{cmpst}} \leq \|\lceil A \rceil\|_{\text{agg}}$.

If the norms $\|\cdot\|_i, \|\cdot\|_{\text{agg}}$ in Lemma 1 are p -norms (with the same p) then $\|\cdot\|_{\text{cmpst}}$ is again a p -norm defined on a larger space. The next lemma follows from [17, Theorem 2.4].

Lemma 2. *Let $u : [-\tau_0, +\infty) \rightarrow \mathbb{R}_{\geq 0}$, $\tau_0 < +\infty$ and assume that*

$$D^+u(t) \leq au(t) + b \sup_{t-\tau(t) \leq s \leq t} u(s) + c, \quad t \geq t_0$$

with: (i) $\tau(t)$ being bounded and non-negative, i.e. $0 \leq \tau(t) \leq \tau_0, \forall t$; (ii) $u(t) = |\varphi(t)|, \forall t \in [t_0 - \tau_0, t_0]$ where $\varphi(t)$ is bounded and continuous in $[t_0 - \tau_0, t_0]$; (iii) $a < 0, b \geq 0$ and $c \geq 0$. Assume that there exists some $\sigma > 0$ such that $a + b \leq -\sigma < 0, \forall t \geq t_0$. Then:

$$u(t) \leq \sup_{t_0 - \tau_0 \leq s \leq t_0} u(s) e^{-\hat{\lambda}t} + \frac{c}{\sigma}$$

where $\hat{\lambda} := \inf_{t \geq t_0} \{\lambda | \lambda(t) + a + be^{\lambda(t)\tau(t)} = 0\}$ is positive.

III. SYSTEM DESCRIPTION AND PROBLEM FORMULATION

Consider a network system comprised of N agents with the dynamics of the i -th agent described by

$$\begin{aligned} \dot{x}_i(t) &= f_i(x_i(t), t) + u_i(t) + d_i(t) \\ y_i(t) &= g_i(x_i(t)) \end{aligned} \quad (1)$$

$t \geq t_0, i \in \{1, \dots, N\}$. In the above expression, $x_i(t) \in \mathbb{R}^n$ denotes the agent state, $u_i(t) \in \mathbb{R}^n$ denotes the control input, $f_i : \mathbb{R}^n \times \mathbb{R} \rightarrow \mathbb{R}^n$ is a smooth function and $g_i : \mathbb{R}^n \rightarrow \mathbb{R}^r$ is the output function, which we assume to be Lipschitz. The term $d_i(t) \in \mathbb{R}^n$ models the external disturbance of the form:

$$d_i(t) = w_i(t) + \bar{d}_i(t) := w_i(t) + \sum_{k=0}^{m-1} \bar{d}_{i,k} \cdot t^k \quad (2)$$

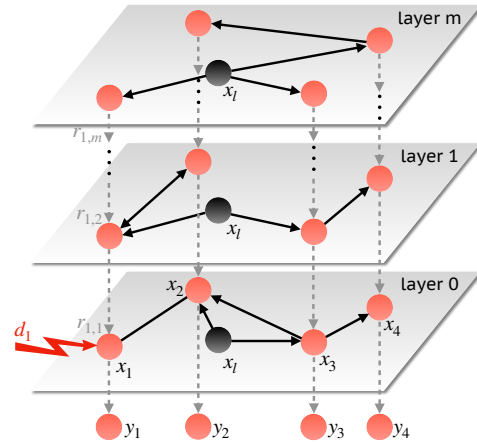


Fig. 1: An example of the multiplex architecture (layer 0 to layer m). The agents are represented by orange nodes and the leader is represented by the black node. Layers are not required to have the same topology. Each layer outputs a signal to the layer immediately below (if any), i.e. layer k outputs $[r_{1,k}^\top, \dots, r_{N,k}^\top]^\top$ to layer $k-1$. Only one disturbance, e.g. d_1 on agent 1, is shown.

where $\bar{d}_i(t)$ represents the polynomial component of the disturbance of the order $m-1$ ($m \in \mathbb{Z}_{>0}$) with $\bar{d}_{i,k}$ being constant vectors and $w_i(t)$ is a piecewise continuous signal capturing *residual* terms in the disturbance that are not modelled with the polynomial. In order to reject polynomials up to order $m-1$, we design the control protocol $u_i(t)$ following [4] with integral actions delivered by m multiplex layers as illustrated in Figure 1.

$$\begin{aligned} u_i(t) &= h_{i,0}(x_i, \{x_j\}_{j \in \mathcal{N}_i}, x_l, t) + h_{i,0}^{(\tau)}(x_i, \{x_j\}_{j \in \mathcal{N}_i}, x_l, t) \\ &\quad + r_{i,1}(t) \\ \dot{r}_{i,1}(t) &= h_{i,1}(x_i, \{x_j\}_{j \in \mathcal{N}_i}, x_l, t) + h_{i,1}^{(\tau)}(x_i, \{x_j\}_{j \in \mathcal{N}_i}, x_l, t) \\ &\quad + r_{i,2}(t) \\ &\quad \vdots \\ \dot{r}_{i,m}(t) &= h_{i,m}(x_i, \{x_j\}_{j \in \mathcal{N}_i}, x_l, t) + h_{i,m}^{(\tau)}(x_i, \{x_j\}_{j \in \mathcal{N}_i}, x_l, t) \end{aligned} \quad (3)$$

where $\{x_j\}_{j \in \mathcal{N}_i}$ denotes the state of the neighbours of agent i , $x_l(t)$ is the exogenous reference signal from e.g., a leader. The functions $h_{i,k}, h_{i,k}^{(\tau)}, \forall k$ are smooth coupling functions on k -th multiplex layer modelling delay-free and delayed communications from neighbours of agent i and the leader. For delayed communications, we consider time-varying delays $\tau_{ij}(t), \tau_{il}(t) \in (0, \tau_{\max}]$ when information is transmitted to agent i from agent j and from the leader, respectively. Note that in general, $\tau_{ij}(t) \neq \tau_{ji}(t)$. In what follows, time dependence inside these coupling functions are omitted for notational convenience.

Remark 1. *Protocol in (3) can be used for both leaderless and leader-follower networks. It arises in a wide range of applications. For example, the classic diffusive-*

type protocol can be written as in (3) with $u_i(t) = h_{i,0}^{(\tau)}(x_i, \{x_j\}_{j \in \mathcal{N}_i}, x_l, t) = \sum_{j \in \mathcal{N}_i} a_{ij}(x_j(t - \tau_{ij}) - x_i(t - \tau_{ij}))$, i.e. when all the communications are delayed and no integral actions are applied in a leaderless network.

Let $x(t) = [x_1^T(t), \dots, x_N^T(t)]^T$, $u(t) = [u_1^T(t), \dots, u_N^T(t)]^T$, $y(t) = [y_1^T(t), \dots, y_N^T(t)]^T$ and $d(t) = w(t) + \bar{d}(t)$ where $w(t) = [w_1^T(t), \dots, w_N^T(t)]^T$, $\bar{d}(t) = [\bar{d}_1^T(t), \dots, \bar{d}_N^T(t)]^T$, the interconnected system (1) can then be written in a compact form as

$$\begin{aligned} \dot{x}(t) &= f(x(t), t) + u(t) + d(t) \\ y(t) &= g(x(t)) \end{aligned} \quad (4)$$

$t \geq t_0$, where $f(x(t), t) = [f_1^T(x_1(t), t), \dots, f_N^T(x_N(t), t)]^T$ and $g(x(t)) = [g_1^T(x_1(t)), \dots, g_N^T(x_N(t))]^T$. We also let $r_k(t) = [r_{1,k}^T(t), \dots, r_{N,k}^T(t)]^T$, $k \in \{1, \dots, m\}$. Next, we state the control goal in terms of the desired solution of the network when there are no disturbances and delays. The desired solution is the solution of the unperturbed system satisfying: (i) $\dot{x}_i^* = f_i(x_i^*, t)$, $\forall i, \forall t \geq t_0$ and (ii) $r_{i,k}^*(t) = 0$, $\forall i, \forall k$. The desired output is then $y^*(t) := [y_1^{*T}(t), \dots, y_N^{*T}(t)]^T$, with $y_i^*(t) = g_i(x_i^*(t))$, $\forall i$. In what follows, we simply term $x^*(t) := [x_1^{*T}(t), \dots, x_N^{*T}(t)]^T$ as desired solution. We are ready to give the following:

Definition 1. The closed-loop system (4) affected by disturbance $d(t) = w(t) + \bar{d}(t)$ is Input-Output Stable with respect to $w(t)$ if there exists class \mathcal{KL} functions $\alpha(\cdot, \cdot)$, $\beta(\cdot, \cdot)$, a class \mathcal{K} function $\gamma(\cdot)$, such that

$$\begin{aligned} \|y(t) - y^*(t)\| &\leq \alpha \left(\sup_{t_0 - \tau_{\max} \leq s \leq t_0} \|x(s) - x^*(s)\|, t - t_0 \right) \\ &+ \beta \left(\sup_{t_0 - \tau_{\max} \leq s \leq t_0} \sum_{k=1}^m \|r_k(s) + \bar{d}^{(k-1)}(s)\|, t - t_0 \right) \\ &+ \gamma \left(\sup_t \|w(t)\| \right) \end{aligned}$$

holds $\forall t \geq t_0$, $\forall x(s)$, $\forall r_k(s)$, $k \in \{1, \dots, m\}$, where $x(s) = \varphi(s)$, $r_k(s) = \phi_k(s)$ with $\varphi(s)$, $\phi_k(s)$ being continuous and bounded functions in $[t_0 - \tau_{\max}, t_0]$.

IV. TECHNICAL RESULTS

In this section, we give a sufficient condition guaranteeing that the closed-loop system (4) affected by disturbances of the form (2) is Input-Output Stable. The results are stated in terms of:

- 1) a composite norm ([16, Section 2.4.4]) $\|x\|_{\text{cmpst}} = \|[\|x_1\|_p, \dots, \|x_N\|_p]\|_{\infty, [\eta]^{-1}}$ where $[\eta]^{-1} \in \mathbb{R}^{N \times N}$ is a diagonal weighting matrix with $\eta \in \mathbb{R}_{>0}^N$;
- 2) a block diagonal coordinate transformation matrix $T = \text{diag}\{T_1, \dots, T_N\}$.

For the statement of our result, it is also useful to relabel the delays affecting the network. Specifically, we define $\tau_k(t)$, $k = 1, \dots, q$ with $q \leq N^2$, as an element of the set

$$\{\tau_{ij}(t) : i, j = 1, \dots, N, i \neq j\} \cup \{\tau_{il}(t) : i = 1, \dots, N\}$$

Proposition 1. Consider the closed-loop system (1) affected by external disturbance (2). Assume that, $\forall t \geq t_0$ and for some matrices T_i, T_j , $i, j = 1, \dots, N$, the following conditions are satisfied for some $0 < \underline{\sigma} < \bar{\sigma} < \infty$:

- C1 $h_{i,k}(x_i^*, \{x_j^*\}_{j \in \mathcal{N}_i}, x_l, t) = h_{i,k}^{(\tau)}(x_i^*, \{x_j^*\}_{j \in \mathcal{N}_i}, x_l, t) = 0$, $\forall i, k$;
- C2 $\mu_p(T_i \tilde{A}_{ii}(t) T_i^{-1}) + \sum_j \frac{\eta_i}{\eta_j} \|T_i \tilde{A}_{ij}(t) T_j^{-1}\|_p \leq -\bar{\sigma}$, $\forall i, \forall x, \forall x_l$;
- C3 $\sum_{k=1}^q \sum_j \frac{\eta_i}{\eta_j} \|T_i (\tilde{B}_k(t))_{ij} T_j^{-1}\|_p \leq \underline{\sigma}$, $\forall i, \forall x, \forall x_l$.

In the above expression,

$$\begin{aligned} \tilde{A}_{ii}(t) &= \begin{bmatrix} \frac{\partial f_i}{\partial x_i} + \frac{\partial h_{i,0}}{\partial x_i} & \mathbb{I}_n & 0_n & \cdots & 0_n \\ \frac{\partial h_{i,1}}{\partial x_i} & 0_n & \mathbb{I}_n & \cdots & 0_n \\ \vdots & \vdots & \vdots & \ddots & \vdots \\ \frac{\partial h_{i,m-1}}{\partial x_i} & 0_n & 0_n & \cdots & \mathbb{I}_n \\ \frac{\partial h_{i,m}}{\partial x_i} & 0_n & 0_n & \cdots & 0_n \end{bmatrix} \\ \tilde{A}_{ij}(t) &= \begin{bmatrix} \frac{\partial h_{i,0}}{\partial x_j} & 0_n & \cdots & 0_n \\ \vdots & \vdots & \ddots & \vdots \\ \frac{\partial h_{i,m}}{\partial x_j} & 0_n & \cdots & 0_n \end{bmatrix} \\ (\tilde{B}_k)_{ij}(t) &= \begin{bmatrix} \frac{\partial h_{i,0}^{(\tau)}}{\partial x_j} & 0_n & \cdots & 0_n \\ \vdots & \vdots & \ddots & \vdots \\ \frac{\partial h_{i,m}^{(\tau)}}{\partial x_j} & 0_n & \cdots & 0_n \end{bmatrix} \end{aligned} \quad (5)$$

Then, the system is Input-Output Stable. In particular,

$$\begin{aligned} \|y(t) - y^*(t)\|_{\text{cmpst}} &\leq \|T^{-1}\|_{\text{cmpst}} \|T\|_{\text{cmpst}} \\ &\cdot e^{-\lambda(t-t_0)} \left(\sup_{t_0 - \tau_{\max} \leq s \leq t_0} \|x(s) - x^*(s)\|_{\text{cmpst}} \right. \\ &+ \sup_{t_0 - \tau_{\max} \leq s \leq t_0} \sum_{k=1}^m \sum_{b=0}^{m-k} \frac{(m-1-b)!}{(m-k-b)!} \cdot \bar{d}_{m-1-b} \cdot s^{m-k-b} \\ &\left. + r_k(s)\|_{\text{cmpst}} \right) + \frac{\|T^{-1}\|_{\text{cmpst}} \|T\|_{\text{cmpst}}}{\bar{\sigma} - \underline{\sigma}} \sup_t \|w(t)\|_{\text{cmpst}} \end{aligned}$$

where $\lambda > 0$ is the solution of the following equation:

$$\lambda - \bar{\sigma} + \underline{\sigma} e^{\lambda \tau_{\max}} = 0 \quad (6)$$

Remark 2. Condition C1 implies that $u_i(t) = 0$ at the desired solution which guarantees $x^*(t)$ is a solution of the unperturbed dynamics. C2 and C3 give conditions on the Jacobian of delay-free and delayed part of agent dynamics, respectively. These conditions are concerned with the couplings between agents and depend on the number of neighbours of the agents and on the coupling strength.

Remark 3. If C2 and C3 are satisfied, then the network is connective stable [18, Chapter 2.1]. In the special case where the agents are contracting and there are no delays, the conditions yield a known property of contracting systems: convergence of the network is achieved even without coupling (however, in this case, there is no guarantee that the solutions towards which the agents converge is the desired solution).

Remark 4. The diagonal weighting matrix $[\eta]^{-1}$ in $\|x\|_{\text{cmpst}}$ can be carefully designed to achieve sharper bounds for the

induced matrix norm, according to [16]. Hence, we could find such matrix $[\eta]^{-1}$ to minimise the upper bound in C2 or C3. On the other hand, the selection of the coordinate transformation matrix T is also of great significance as in many cases it turns out to be difficult to design controllers fulfilling conditions proposed for the original system. The conditions in Proposition 1 not only provides guideline for the design of the controller, but also for the computation of matrix T , see also [4].

Remark 5. Following Proposition 1, the closed-loop network has a convergence rate λ depending on τ_{\max} . As is highlighted in (6), larger τ_{\max} yields lower λ which means slower convergence towards the system desired solution. Hence (6) gives an implicit condition on communication delays for networks with desired convergence rates.

The proof is inspired by the derivations of [4, Proposition 1]. Hence, some technical steps are omitted here for brevity.

Proof. Consider the augmented state $z_i(t) = [x_i^\top(t), \zeta_{i,1}^\top(t), \dots, \zeta_{i,m}^\top(t)]^\top$ where

$$\zeta_{i,k}(t) = r_{i,k}(t) + \sum_{b=0}^{m-k} \frac{(m-1-b)!}{(m-k-b)!} \cdot \bar{d}_{i,m-1-b} \cdot t^{m-k-b}$$

$k \in \{1, \dots, m\}$. The desired solution is $z_i^*(t) = [x_i^{*\top}(t), 0_{1 \times n}, \dots, 0_{1 \times n}]^\top$. Hence the error dynamics $e_i(t) := z_i(t) - z_i^*(t)$ follows

$$\dot{e}_i(t) = \tilde{f}_i(z_i, t) - \tilde{f}_i(z_i^*, t) + \tilde{h}_i(z, t) + \tilde{h}_i^{(\tau)}(z, t) + \tilde{w}_i(t)$$

where $\tilde{f}_i(z_i, t) = [f_i^\top(x_i, t), 0_{1 \times n}, \dots, 0_{1 \times n}]^\top$ and

$$\tilde{h}_i(z, t) = \begin{bmatrix} h_{i,0}(x_i, \{x_j\}_{j \in \mathcal{N}_i}, x_l, t) + \zeta_{i,1}(t) \\ h_{i,1}(x_i, \{x_j\}_{j \in \mathcal{N}_i}, x_l, t) + \zeta_{i,2}(t) \\ \vdots \\ h_{i,m-1}(x_i, \{x_j\}_{j \in \mathcal{N}_i}, x_l, t) + \zeta_{i,m}(t) \\ h_{i,m}(x_i, \{x_j\}_{j \in \mathcal{N}_i}, x_l, t) \end{bmatrix}$$

and

$$\tilde{h}_i^{(\tau)}(z, t) = \begin{bmatrix} h_{i,0}^{(\tau)}(x_i, \{x_j\}_{j \in \mathcal{N}_i}, x_l, t) \\ h_{i,1}^{(\tau)}(x_i, \{x_j\}_{j \in \mathcal{N}_i}, x_l, t) \\ \vdots \\ h_{i,m}^{(\tau)}(x_i, \{x_j\}_{j \in \mathcal{N}_i}, x_l, t) \end{bmatrix}$$

and $\tilde{w}_i(t) = [w_i^\top(t), 0_{1 \times n}, \dots, 0_{1 \times n}]^\top$. Then following [19], let $\eta_i(\rho) = \rho z_i + (1-\rho)z_i^*$, $\eta(\rho) = [\eta_1^\top(\rho), \dots, \eta_N^\top(\rho)]^\top$ and we can rewrite the error dynamics in a compact form as

$$\dot{e}(t) = A(t)e(t) + \sum_{k=1}^q B_k(t)e(t - \tau_k(t)) + \tilde{w}(t) \quad (7)$$

where $\tilde{w} = [\tilde{w}_1^\top(t), \dots, \tilde{w}_N^\top(t)]^\top$. The Jacobian matrix $A(t)$ has entries $A_{ij}(t) = \int_0^1 \tilde{A}_{ij}(t) d\rho$ where $\tilde{A}_{ij}(t) = J_{\tilde{f}_i}(\eta_j(\rho), t) + J_{\tilde{h}_i}(\eta_j(\rho), t)$ and $B_k(t)$ with entries $(B_k)_{ij}(t) = \int_0^1 (\tilde{B}_k)_{ij}(t) d\rho$ where $(\tilde{B}_k)_{ij}(t) =$

$J_{\tilde{h}_i^{(\tau)}}(\eta_j(\rho), t)$. Then let $\tilde{e}(t) = Te(t)$ where $T = \text{diag}\{T_1, \dots, T_N\}$, we have

$$\dot{\tilde{e}}(t) = TA(t)T^{-1}\tilde{e}(t) + \sum_{k=1}^q TB_k(t)T^{-1}\tilde{e}(t - \tau_k(t)) + T\tilde{w}(t)$$

Taking the Dini derivative of $\|\tilde{e}(t)\|_{\text{cmpst}}$, we obtain

$$\begin{aligned} D^+ \|\tilde{e}(t)\|_{\text{cmpst}} &= \limsup_{h \rightarrow 0^+} \frac{1}{h} (\|\tilde{e}(t+h)\|_{\text{cmpst}} - \|\tilde{e}(t)\|_{\text{cmpst}}) \\ &\leq \mu_{\text{cmpst}}(TA(t)T^{-1}) \|\tilde{e}(t)\|_{\text{cmpst}} + \sup_t \|T\tilde{w}(t)\|_{\text{cmpst}} \\ &\quad + \sum_{k=1}^q \|TB_k(t)T^{-1}\|_{\text{cmpst}} \sup_{t-\tau_{\max} \leq s \leq t} \|\tilde{e}(s)\|_{\text{cmpst}} \end{aligned}$$

Condition C2 and C3 implies that $\mu_{\text{cmpst}}(TA(t)T^{-1}) \leq -\bar{\sigma}$ and $\sum_{k=1}^q \|TB_k(t)T^{-1}\|_{\text{cmpst}} \leq \underline{\sigma}$. Then, following similar steps to the ones of the proof of Proposition 1 in [4] and leveraging the Lipschitz assumption of the output function, we get the upper bound of the output deviation of (1) from its desired output:

$$\begin{aligned} \|y(t) - y^*(t)\|_{\text{cmpst}} &\leq \\ \|T^{-1}\|_{\text{cmpst}} \|T\|_{\text{cmpst}} e^{-\lambda(t-t_0)} &\left(\sup_{t_0 - \tau_{\max} \leq s \leq t_0} \|x(s) - x^*(s)\|_{\text{cmpst}} \right. \\ &+ \sup_{t_0 - \tau_{\max} \leq s \leq t_0} \sum_{k=1}^m \sum_{b=0}^{m-k} \frac{(m-1-b)!}{(m-k-b)!} \cdot \bar{d}_{m-1-b} \cdot s^{m-k-b} \\ &\left. + r_k(s)\|_{\text{cmpst}} \right) + \frac{\|T^{-1}\|_{\text{cmpst}} \|T\|_{\text{cmpst}}}{\bar{\sigma} - \underline{\sigma}} \sup_t \|w(t)\|_{\text{cmpst}} \end{aligned}$$

□

V. APPLICATION EXAMPLE

We consider an MTDC grid model from [20]. In our example, the grid has 30 terminals arranged in a ring (an example illustration of a ring consisting of 5 terminals is given in Figure 2). The dynamics of the terminals are described by

$$\begin{aligned} c_i \dot{v}_i(t) &= - \sum_{j \in \mathcal{N}_i} I_{ij}(t) + u_i(t) + d_i(t), \quad i \in \{1, \dots, 5\} \\ y_i(t) &= v_i(t) \end{aligned} \quad (8)$$

where the current $I_{ij}(t) = \frac{1}{R_{ij}}(v_i(t) - v_j(t))$ according to Ohm's law and note that $v_j(t)$ is not delayed in this equation as communication is not required. In the above expression, v_i denotes the voltage deviation of terminal i from the nominal voltage v^{nom} which is assumed to be identical for all terminals, c_i is the capacitance of terminal i , R_{ij} is the line resistance between terminal i and terminal j satisfying $R_{ij} = R_{ji}$, u_i is the injected control current, d_i is the disturbance due to e.g. load changes at the terminal and y_i is the output. The design of control protocols to reject constant disturbances for (8) was considered in [21] but without delays and in [22] with constant delays. In this example, the capacitance $c_i = 1\text{mF}$ and the resistance $R_{ij} = 20\Omega$. We now leverage Proposition 1 to consider the case where delays are heterogeneous and the disturbances are polynomial.

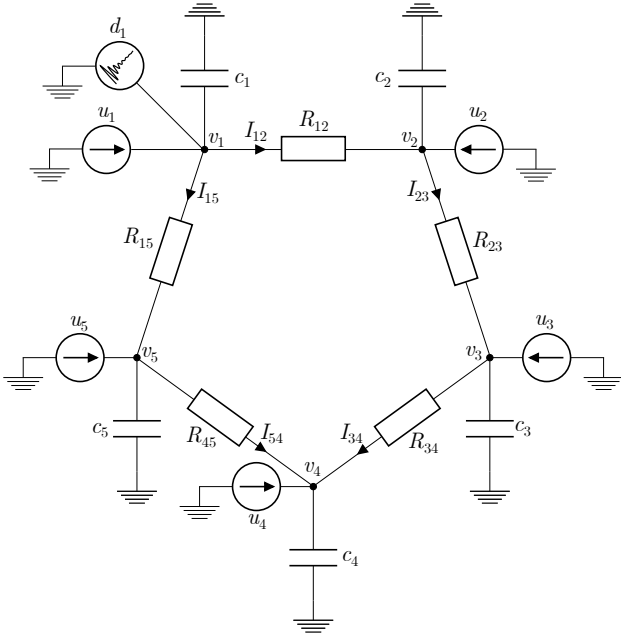


Fig. 2: Illustration of the MTDC composed of 5 terminals. Terminal 1 is affected by a disturbance d_1 .

A. Controller design

In this example, we consider a first order disturbance, which can model e.g. the rapid increase of the current in the terminal caused by fault [23]. To reject such disturbance before being diagnosed, we design the controller with 2 multiplex layers following:

$$\begin{aligned}
 u_i(t) &= -k_0 v_i(t) - \sum_{j \in \mathcal{N}_i} k_0^{(\tau)} (v_i(t - \tau_{ij}(t)) - v_j(t - \tau_{ij}(t))) \\
 &\quad + r_{i,1}(t) \\
 \dot{r}_{i,1}(t) &= -k_1 v_i(t) - \sum_{j \in \mathcal{N}_i} k_1^{(\tau)} (v_i(t - \tau_{ij}(t)) - v_j(t - \tau_{ij}(t))) \\
 &\quad + r_{i,2}(t) \\
 \dot{r}_{i,2}(t) &= -k_2 v_i(t) - \sum_{j \in \mathcal{N}_i} k_2^{(\tau)} (v_i(t - \tau_{ij}(t)) - v_j(t - \tau_{ij}(t)))
 \end{aligned} \tag{9}$$

In the above expression, the delay occurs because the voltage information needs to be transmitted from terminal j to terminal i via communication (see also [22]). For our design, we consider the composite norm $\|x\|_{\text{empst}} = \|\|x_1\|_2, \dots, \|x_N\|_2\|_{\infty, [\eta]^{-1}}$, $\eta \in \mathbb{R}_{>0}^N$ and the coordinate transformation matrix T with identical diagonal blocks

$$T_i = \tilde{T} = \begin{bmatrix} 1 & \alpha & 0 \\ 0 & 1 & \beta \\ 0 & 0 & 1 \end{bmatrix}, \quad \alpha, \beta \in \mathbb{R}, \quad \forall i$$

The desired solution of (8) is $v_i^*(t) = 0, \forall i$. Hence, $C1$ is guaranteed by design of control (9). We recast the fulfilment

of $C2$ and $C3$ as an optimisation problem following

$$\min_{\xi} \mathcal{J} \tag{10a}$$

$$\text{s.t. } k_0 \geq 0, k_1 \geq 0, k_2 \geq 0, k_0^{(\tau)} \geq 0, k_1^{(\tau)} \geq 0, k_2^{(\tau)} \geq 0 \tag{10b}$$

$$k_0 + k_0^{(\tau)} > 0, k_1 + k_1^{(\tau)} > 0, k_2 + k_2^{(\tau)} > 0 \tag{10c}$$

$$\bar{\sigma} > 0, \underline{\sigma} \geq 0, \bar{\sigma} - \underline{\sigma} > 0 \tag{10d}$$

$$\mu_2(\tilde{T} \tilde{A}_{ii} \tilde{T}^{-1}) + \sum_j \frac{\eta_j}{\eta_i} \|\tilde{T} \tilde{A}_{ij} \tilde{T}^{-1}\|_2 \leq -\bar{\sigma}, \quad \forall i, j \tag{10e}$$

$$\sum_{k=1}^q \sum_j \frac{\eta_j}{\eta_i} \|\tilde{T} (\tilde{B}_k)_{ij} \tilde{T}^{-1}\|_2 \leq \underline{\sigma}, \quad \forall i, j \tag{10f}$$

where $\xi := [k_0, k_1, k_2, k_0^{(\tau)}, k_1^{(\tau)}, k_2^{(\tau)}, \bar{\sigma}, \underline{\sigma}]$ are the decision variables and $\mathcal{J} = -k_0^{(\tau)} - k_1^{(\tau)} - k_2^{(\tau)}$ is the cost function chosen, in this case, to maximise the coupling between terminals. In the above expression, the constraints on matrix measure and matrix norm ($\tilde{A}_{ii}, \tilde{A}_{ij}, (\tilde{B}_k)_{ij}$ are computed from (5) and are constant matrices) can be recast as LMIs, for fixed α, β and η . Indeed, (10e) is satisfied if

$$\begin{aligned}
 \mu_2(\tilde{T} \tilde{A}_{ii} \tilde{T}^{-1}) &\leq -b_1, \quad \forall i \\
 \sum_j \frac{\eta_j}{\eta_i} \|\tilde{T} \tilde{A}_{ij} \tilde{T}^{-1}\|_2 &\leq b_2, \quad \forall i, j \\
 b_1 > 0, b_2 &\geq 0, -b_1 + b_2 \leq -\bar{\sigma}
 \end{aligned} \tag{11}$$

where b_1, b_2 are auxiliary variables. Also, note that due to the ring topology, for terminal i there are two neighbours. It is then useful to recast $\sum_j \frac{\eta_j}{\eta_i} \|\tilde{T} \tilde{A}_{ij} \tilde{T}^{-1}\|_2 \leq b_2$ as

$$\begin{aligned}
 \frac{\eta_j}{\eta_i} \|\tilde{T} \tilde{A}_{ij} \tilde{T}^{-1}\|_2 &\leq b_3, \quad \forall i, j \\
 b_3 &\geq 0, 2b_3 \leq b_2
 \end{aligned} \tag{12}$$

with auxiliary variable b_3 . Analogously, we recast (10f) as

$$\begin{aligned}
 \|\tilde{T} (\tilde{B}_k)_{ii} \tilde{T}^{-1}\|_2 &\leq b_4, \quad \forall i \\
 \frac{\eta_j}{\eta_i} \|\tilde{T} (\tilde{B}_k)_{ij} \tilde{T}^{-1}\|_2 &\leq b_5, \quad \forall i, j \\
 b_4 &\geq 0, b_5 \geq 0, q(b_4 + b_5) \leq \underline{\sigma}
 \end{aligned} \tag{13}$$

where b_4, b_5 are auxiliary variables and where $q = 60$ is the cardinality of the set of delays. Now following the steps in [4, Appendix B], (11)-(13) can be recast as the following

$$\begin{aligned}
 [\tilde{T} \tilde{A}_{ii} \tilde{T}^{-1}]_s &\leq -b_1 \mathbb{I}_3, \quad \forall i \\
 \begin{bmatrix} b_3 \mathbb{I}_3 & \frac{\eta_j}{\eta_i} (\tilde{T} \tilde{A}_{ij} \tilde{T}^{-1})^\top \\ \frac{\eta_j}{\eta_i} \tilde{T} \tilde{A}_{ij} \tilde{T}^{-1} & b_3 \mathbb{I}_3 \end{bmatrix} &\succeq 0, \quad \forall i, j \\
 \begin{bmatrix} b_4 \mathbb{I}_3 & (\tilde{T} (\tilde{B}_k)_{ii} \tilde{T}^{-1})^\top \\ \tilde{T} (\tilde{B}_k)_{ii} \tilde{T}^{-1} & b_4 \mathbb{I}_3 \end{bmatrix} &\succeq 0, \quad \forall i \\
 \begin{bmatrix} b_5 \mathbb{I}_3 & \frac{\eta_j}{\eta_i} (\tilde{T} (\tilde{B}_k)_{ij} \tilde{T}^{-1})^\top \\ \frac{\eta_j}{\eta_i} \tilde{T} (\tilde{B}_k)_{ij} \tilde{T}^{-1} & b_5 \mathbb{I}_3 \end{bmatrix} &\succeq 0, \quad \forall i, j
 \end{aligned} \tag{14}$$

$$\begin{aligned}
 b_1 > 0, b_2 &\geq 0, b_3 \geq 0, b_4 \geq 0, b_5 \geq 0, 2b_3 \leq b_2 \\
 -b_1 + b_2 &\leq -\bar{\sigma}, 60(b_4 + b_5) \leq \underline{\sigma}
 \end{aligned}$$

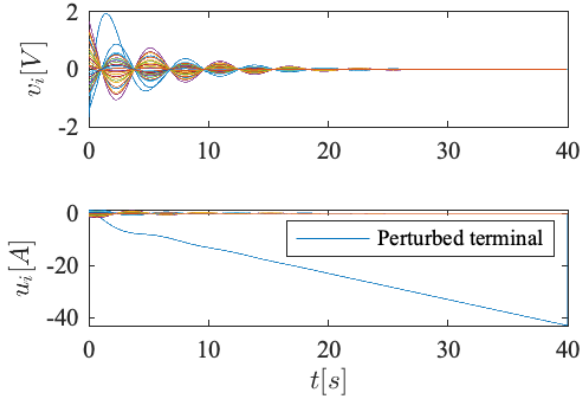


Fig. 3: Top panel: Voltage deviation from nominal voltage; Bottom panel: Injected control current.

We then solve the optimisation problem (10) replacing (10e)-(10f) with (14) for a grid of α and β and for the fixed η^1 . The optimal solution for this problem is: $k_0 = 0.7445, k_1 = 1.3399, k_2 = 0.5052, k_1^{(\tau)} = 0.00057, k_1^{(\tau)} = 0.00076, k_2^{(\tau)} = 0.00048$, with corresponding $\alpha = -0.5, \beta = -1$.

B. Simulation

We consider a disturbance acting on a random terminal, say terminal 1, which is $d_1(t) = 3 + t + e^{-0.2t} \sin t$. The heterogeneous delays are selected as $\tau_{ij}(t) = \tau_i(t) = 0.1 + 0.1 \sin(t + i)$ seconds. The grid is assumed to be initiated at $v_i(0) \sim \mathcal{N}(0, 1), \forall i$. Figure 3 (top panel) illustrates the voltage deviation of all the terminals from the nominal value. It shows that all the deviations finally reduce to 0 including the perturbed terminal 1. This is in accordance with the theoretical prediction as the designed controller injected a ramp current to compensate for the ramp component in the disturbance, as illustrated in the bottom panel.

VI. CONCLUSIONS AND FUTURE WORK

We considered the problem of designing distributed multiplex integral control protocols for nonlinear networks affected by delays and disturbances. The designed control protocol, delivered via multiplex architecture and fulfilling certain conditions leveraging non-Euclidean contraction theory, is able to: (i) reject polynomial disturbances; (ii) achieve Input-to-State Stability for nonlinear networks affected by heterogeneous time-varying delays. We validated the results by considering the problem of controlling an MTDC grid and simulations confirmed the effectiveness of the results. Apart from devising approaches to systematically determine the right coordinate transformation matrices T and the weighting matrix $[\eta]^{-1}$, see e.g. [24], we would like to tackle the challenge of designing protocols that guarantee the stronger scalability property studied in [25], [4] for the network systems with heterogeneous delays considered in this paper.

¹The code solving the optimisation problem and the data, i.e. η , can be found in <https://tinyurl.com/yc3frafb>.

REFERENCES

- [1] G. F. Silva, A. Donaire, A. McFadyen, and J. J. Ford, "String stable integral control design for vehicle platoons with disturbances," *Automatica*, vol. 127, p. 109542, 2021.
- [2] S. Knorn, A. Donaire, J. C. Agüero, and R. H. Middleton, "Passivity-based control for multi-vehicle systems subject to string constraints," *Automatica*, vol. 50, no. 12, pp. 3224–3230, 2014.
- [3] D. A. B. Lombana and M. Di Bernardo, "Multiplex PI control for consensus in networks of heterogeneous linear agents," *Automatica*, vol. 67, pp. 310–320, 2016.
- [4] S. Xie and G. Russo, "On the design of integral multiplex control protocols for nonlinear network systems with delays," *arXiv preprint arXiv:2206.03535 (submitted to Automatica)*, 2022.
- [5] W. Lohmiller and J.-J. E. Slotine, "On contraction analysis for nonlinear systems," *Automatica*, vol. 34, no. 6, pp. 683–696, 1998.
- [6] S. Jafarpour, A. Davydov, M. Abate, F. Bullo, and S. Coogan, "Robust training and verification of implicit neural networks: A non-Euclidean contractive approach," *arXiv preprint arXiv:2208.03889*, 2022.
- [7] A. Davydov, S. Jafarpour, and F. Bullo, "Non-Euclidean contraction theory for robust nonlinear stability," *IEEE Transactions on Automatic Control*, 2022.
- [8] G. Russo, M. Di Bernardo, and E. D. Sontag, "Global entrainment of transcriptional systems to periodic inputs," *PLoS computational biology*, vol. 6, no. 4, p. e1000739, 2010.
- [9] Z. Aminzare and E. D. Sontag, "Contraction methods for nonlinear systems: A brief introduction and some open problems," in *53rd IEEE Conference on Decision and Control*, pp. 3835–3847, IEEE, 2014.
- [10] M. di Bernardo, D. Fiore, G. Russo, and F. Scafuli, "Convergence, consensus and synchronization of complex networks via contraction theory," *Complex Systems and Networks*, pp. 313–339, 2016.
- [11] H. Tsukamoto, S.-J. Chung, and J.-J. E. Slotine, "Contraction theory for nonlinear stability analysis and learning-based control: A tutorial overview," *Annual Reviews in Control*, vol. 52, pp. 135–169, 2021.
- [12] H. S. Shiromoto, M. Revay, and I. R. Manchester, "Distributed nonlinear control design using separable control contraction metrics," *IEEE Transactions on Control of Network Systems*, vol. 6, no. 4, pp. 1281–1290, 2018.
- [13] M. Revay, R. Wang, and I. R. Manchester, "Recurrent equilibrium networks: Flexible dynamic models with guaranteed stability and robustness," *arXiv preprint arXiv:2104.05942*, 2021.
- [14] W. Wang and J.-J. Slotine, "Contraction analysis of time-delayed communications and group cooperation," *IEEE Transactions on Automatic Control*, vol. 51, no. 4, pp. 712–717, 2006.
- [15] G. Russo, M. di Bernardo, and E. D. Sontag, "Stability of networked systems: A multi-scale approach using contraction," in *49th IEEE Conference on Decision and Control (CDC)*, pp. 6559–6564, 2010.
- [16] F. Bullo, *Contraction Theory for Dynamical Systems*. Kindle Direct Publishing, 1.0 ed., 2022.
- [17] L. Wen, Y. Yu, and W. Wang, "Generalized Halanay inequalities for dissipativity of Volterra functional differential equations," *Journal of Mathematical Analysis and Applications*, vol. 347, no. 1, pp. 169–178, 2008.
- [18] D. D. Siljak, *Decentralized control of complex systems*. Courier Corporation, 2011.
- [19] C. Desoer and H. Haneda, "The measure of a matrix as a tool to analyze computer algorithms for circuit analysis," *IEEE Transactions on Circuit Theory*, vol. 19, no. 5, pp. 480–486, 1972.
- [20] M. Axelson-Fisk and S. Knorn, "Online distributed design for control cost reduction," *Automatica*, vol. 141, p. 110312, 2022.
- [21] M. Axelson-Fisk and S. Knorn, "A graph theoretic approach to ensure a scalable performance measure in multi-agent systems with MIMO agents," *IFAC-PapersOnLine*, vol. 55, no. 13, pp. 103–108, 2022.
- [22] M. Andreasson, M. Nazari, D. V. Dimarogonas, H. Sandberg, K. H. Johansson, and M. Ghandhari, "Distributed voltage and current control of multi-terminal high-voltage direct current transmission systems," *IFAC Proceedings Volumes*, vol. 47, no. 3, pp. 11910–11916, 2014.
- [23] J. Sneath and A. D. Rajapakse, "Fault detection and interruption in an earthed HVDC grid using ROCOV and hybrid DC breakers," *IEEE Transactions on Power Delivery*, vol. 31, no. 3, pp. 973–981, 2014.
- [24] V. Centorrino, A. Gokhale, A. Davydov, G. Russo, and F. Bullo, "Euclidean contractivity of neural networks with symmetric weights," *arXiv preprint arXiv:2302.13452*, 2023.
- [25] S. Xie, G. Russo, and R. H. Middleton, "Scalability in nonlinear network systems affected by delays and disturbances," *IEEE Transactions on Control of Network Systems*, vol. 8, no. 3, pp. 1128–1138, 2021.