

STPOTR: Simultaneous Human Trajectory and Pose Prediction Using a Non-Autoregressive Transformer for Robot Following Ahead

Mohammad Mahdavian*, Payam Nikdel*, Mahdi TaherAhmadi, and Mo Chen

Abstract—In this paper, we develop a neural network model to predict future human motion from an observed human motion history. We propose a non-autoregressive transformer architecture to leverage its parallel nature for easier training and fast, accurate predictions at test time. The proposed architecture divides human motion prediction into two parts: 1) the *human trajectory*, which is the hip joint 3D position over time and 2) the *human pose* which is the all other joints 3D positions over time with respect to a fixed hip joint. We propose to make the two predictions simultaneously, as the shared representation can improve the model performance. Therefore, the model consists of two sets of encoders and decoders. First, a multi-head attention module applied to encoder outputs improves human trajectory. Second, another multi-head self-attention module applied to encoder outputs concatenated with decoder outputs facilitates learning of temporal dependencies. Our model is well-suited for robotic applications in terms of test accuracy and speed, and compares favourably with respect to state-of-the-art methods. We demonstrate the real-world applicability of our work via the *Robot Follow-Ahead* task, a challenging yet practical case study for our proposed model.

I. INTRODUCTION

With the advancements of robotic industry in recent years, there are multiple everyday use products that benefit from these progresses. Autonomous luggages, shopping carts, robots monitoring elderly people and in general any other object that needs to autonomously follow a human user and keep a close distance are appearing due to these advancements. They can be produced as robots with the ability of tracking and following a human, autonomously. In general, a robot can follow a human from behind [1], [2], front [3] and side by side [4]. Following a user from behind or side by side is a well studied subject. But there are few studies which approach and give a solution for robot following ahead as it is a much more difficult problem. However, there are many applications that it is necessary for the robot to follow their user from the front side due to security issues, such as autonomous luggages and shopping carts. In these cases, behavioural experiments show that robot following a human from behind causes the the user to frequently look behind to ensure the robot is within a safe distance.

To follow a target human from behind, one can simply use a proportional integral derivative (PID) controller to control the robot’s heading to keep a human target in the middle

The authors are with School of Computing Science, Simon Fraser University (SFU), Burnaby, Canada {mmahdavi, pnikdel, mtaherah, mochen}@sfu.ca

This work received support from Amii and the CIFAR Program. M. Mahdavian received support from the SFU Graduate Deans Entrance Scholarship.

* These authors contributed equally to this work

of the image frame and use another one to keep a proper distance with respect to the target [5]. Also, for side by side following, the Lidar sensors can help to keep a safe distance with respect to a target [4]. But following from front side (follow-ahead) is a much more complicated process as it needs the robot to predict the human target’s next intent.

In recent years, with the advancement of deep reinforcement learning (RL) a few researches tried to solve the robot follow-ahead problem by implicitly learning the robot dynamics and predict a person’s future trajectory [3]. Also, there are a few Kalman Filter based methods which have tried to address this problem [6]. Moreover, image-based human trajectory prediction methods [7] can assist to solve this problem. But they are not sufficient for using in robot follow-ahead purposes, as they are capable of predicting only human future trajectory while walking and do not consider human poses. They malfunction in the cases that human pose or intent is more decisive. As an instance, when the human decides to sit down or stand up or when a human is smoking or walking with a dog [3]. In these scenarios, the human trajectory prediction may not be enough and human pose prediction can assist for better understanding the motion and solving the robot follow-ahead problem.

To solve this problem, we need to make fairly accurate predictions for future human pose and trajectory. Then, the robot can move toward a point in front of the future human pose. For this purpose, recurrent neural network (RNN) based models [9] can be used that are either not accurate enough or very slow which make them not useful for real-time robotic purposes. They are prone to a problem called exposure bias [32] that is prediction errors accumulation over time due to their autoregressive nature. Also, they are more computationally intensive since the predicted elements are generated one at a time. Transformers [8] are a solution for these problems as they can be trained and tested [23] in parallel. Also, very few researches attempted to jointly predict human pose and trajectory [31]. They are either not accurate enough [21] or very slow [31].

In this paper, we introduce an accurate and fast non-autoregressive transformer for simultaneous prediction of human trajectory as well as human poses. We demonstrate favorable results compared to previous works in term of both speed and accuracy. Also, our ablation study shows the benefit of simultaneous human pose and trajectory prediction as the shared knowledge in between improves the model performance. During tests, we first estimate the human pose in each frame from captured images and use a sequence of the estimated frames to predict the future ones. As the human

pose estimators are noisy, to generalize our model for real-robotic purposes, we add a Gaussian noise to the data while training. Then a robot trajectory planner, moves the robot toward a point ahead of the human’s future state. In summary our contributions are as follows:

- 1) We solve the robot follow-ahead task with better performance with respect to previous methods
- 2) To the best of our knowledge, we are the first to simultaneously predict human pose and trajectory for a robotic purpose
- 3) We achieve a comparable accuracy for human pose and trajectory predictions with respect to the baselines
- 4) We improve the human trajectory prediction with the help of human pose information

II. RELATED WORKS

Robots following a human has been studied for ground [10], [11], aerial [12], [13] and underwater environments [14]. For all cases, following from behind is the dominant scenario as it needs less effort to develop. Classically, human following methods divided and solved this problem in three main steps. They first localized the user and then at each step based on the human motion tried to find a feasible path to a desired goal point. At the end, a trajectory tracking module followed the path to the end-goal [5], [15]. Recently, Deep RL methods aim to tackle this problem with End-to-End manner directly from sensor inputs [11]. They perform by first learning the task in simulation and then transferring the policy to the real-world scenario. However, they can’t consider human poses due to training in simulation which results in lower accuracy, especially in following-ahead scenarios [3]. In order to strengthen the solution, we have combined human trajectory and poses predictions using non-autoregressive transformers to gain better performance. In this section, we discuss previous robotic follow-ahead and human motion (pose and trajectory) prediction methods.

A. Robot Follow-Ahead

There are very few papers that have studied this area. As one of the first efforts, Ho et al. [6] presumed a non-holonomic human model and estimated human’s linear and angular velocity by a Kalman filter. They tried to keep the robot in front of the human by designing a motion planner, but it failed to perform well in some scenarios. Recently, Nikdel et al. developed an Extended Kalman Filter (EKF) approach by combining 2D Lidar and fish-eye camera to detect and track a person [10]. A velocity based heading estimator and human model that accounted for obstacles helped to correct the EKF predicted position. But they couldn’t perform well in the scenarios that the human velocity was almost zero, such as when the human stopped moving. More recently, they developed a Deep RL based model that used curriculum learning to learn a robust policy for robot follow-ahead by gradually increasing the person motion model in simulation environment [3]. However, in both methods they are simplifying the human movements to a trajectory while

it cannot perform well in special scenarios, such as sitting and standing.

B. Human Pose Prediction

In general, the human pose prediction can be categorized as probabilistic and deterministic [20]. In probabilistic methods, similar to how our brains functions, the goal is to predict multiple scenarios from an observed sequence of frames. Each prediction can be a probable prediction for the observed sequence with a correlation between all frames [21]. As an outstanding example in this area, Yuan and Kitani introduced Diversifying Latent Flows (DLow) that produces multi-hypotheses prediction for human poses using pre-trained deep generative models. We use this method as one of our baselines for human pose prediction. Also, Agand et al. introduced a navigational intent inference method with the help of probabilistic approaches. [33].

On the other hand, in deterministic approaches, the effort is to predict one highly accurate human pose sequence from the observed one [22]. We follow this type of algorithms in our work.

In both cases, their earlier deep learning approaches used RNN-based models to predict the human motion [16]. But, these autoregressive models have two major shortcomings. First, they are prone to accumulate prediction errors over time and second, they are not parallelizable which causes them to be more computationally intensive [23]. Recently, a few methods tried to prevent the drift issues by including adversarial losses and enhance prediction quality with geodesic body measurements [19] which makes them more difficult to train and stabilize.

In recent years, many researchers combined their algorithm with spatio-temporal modeling to better learn the relation between all the joints in a single and a sequence of frames. As an example, Li et al. proposed a multiscale spatio-temporal graph neural network to predict the 3D human poses in an action-category-agnostic manner [17]. More recently, Fu et al. introduced Dynamic Spatio-temporal Decompose Graph Convolution (DSTD-GC) which decomposes dynamic spatio-temporal graph modeling with a combination of dynamic spatial graph convolution and dynamic temporal graph convolution [18].

With the improvement of transformer models [8], a few researches attempted to use them to solve the human pose prediction problem. For this purpose, as an instance, Aksan et al. proposed an autoregressive transformer to learn decoupled spatio-temporal representations [22]. They achieved acceptable results in term of accuracy, however the autoregressive nature caused the algorithm to be slow. On the other hand, González et al. developed a non-autoregressive version of the transformers called Pose Transformer (POTR) that could perform faster with inferior accuracy [23]. They used the main encoder-decoder structure of transformers [8] to learn the temporal dependencies. A Graph Convolutions Network (GCN) and a Multi-Layer Perceptron (MLP) based layers were added to the encoder and decoder, respectively to learn the spatial dependencies between all joints in one

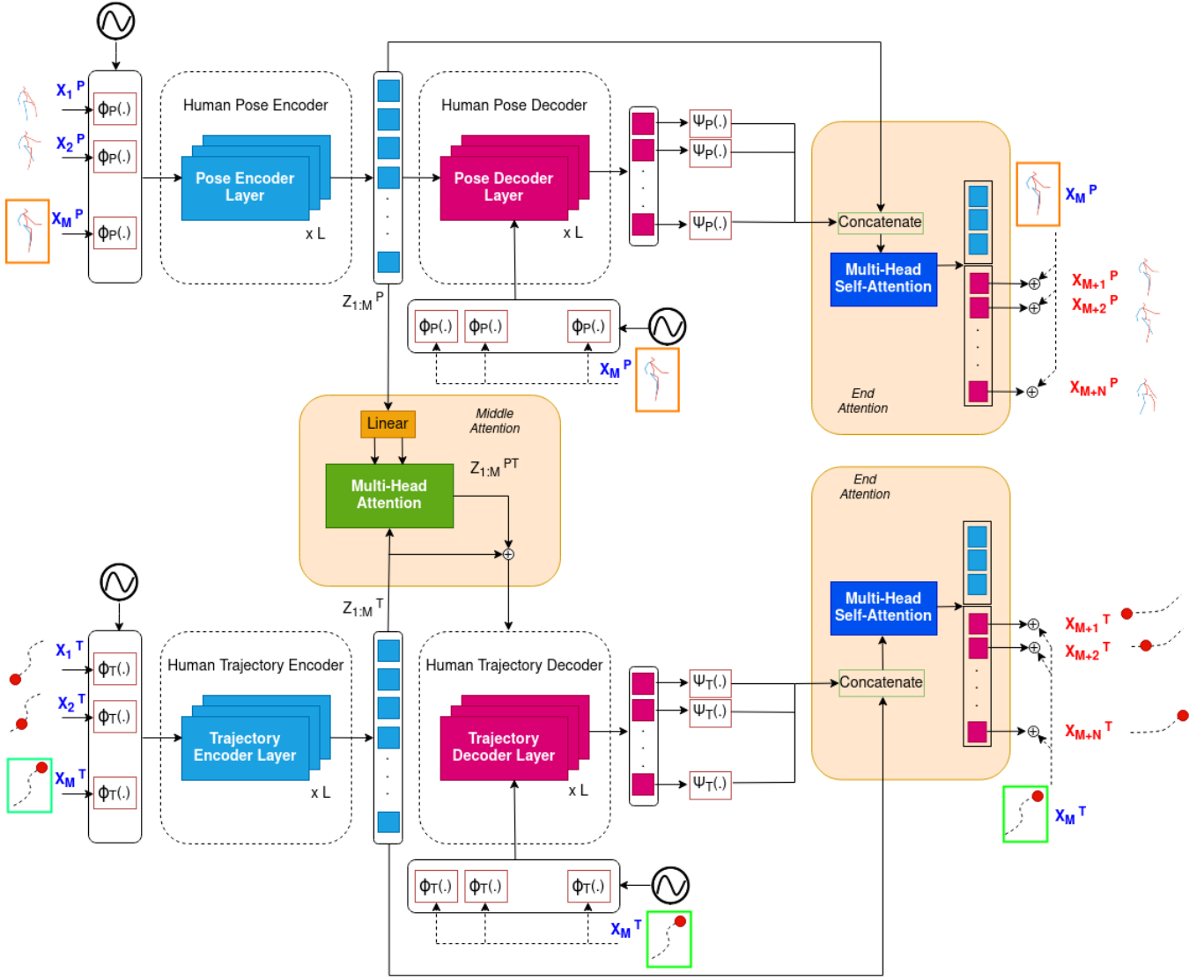


Fig. 1: Our model structure. It simultaneously predicts human poses and trajectories from an observed 3D human joints sequence. It is constructed from two non-autoregressive transformers for pose and trajectory predictions as well as a multi-head attention module (Middle Attention) to transfer the knowledge in between the two sections for better predictions. Also, another multi-head self-attention module (End Attention) is added to the end of each decoder for better modeling the temporal dependencies. The blue colored frames show the input sequence or frame and the red ones show the output. The rectangular frames show that the same frame (last input pose) is copied and used as the decoder input sequence and as a residual for decoder output.

frame. During training and testing, the last observed frame was copied and used as decoder input and with a residual connection to the decoder output. Therefore the decoder would learn the sequence offset with respect to the last seen frame. The design of our model is partially inspired by Pose Transformer (POTR) [23]. However, all mentioned methods consider a fixed hip joint and even in some cases fixed heading, which makes them impractical for our robotic purpose. Therefore, we have made multiple improvements to the model and data structure to make it suitable for our purpose.

C. Human Trajectory Prediction

Many human trajectory predictions are developed to be used for autonomous driving systems [24]–[26]. Their effort is to predict future trajectory of pedestrians in order to avoid colliding with them. Recently, Giuliari et al. utilized the transformer [8] to predict multi-human trajectory. More recently, [24] used visual and decoder transformers to predict human trajectory with a high accuracy. Most recently [26], developed a non-autoregressive transformer that extracts features from multi-agent scenes by employing a factorized spatio-temporal attention module. They leverage encoder-decoder transformer network for parallel decoding a set of

learned object queries for the purpose of avoiding exposure bias caused by autoregressive methods.

Also, there are very few methods that attempted to simultaneously predict human poses and trajectory. Very recently, Nikdel et al. in DMMGAN [31], performed this task with reasonable accuracy, but with lower speed than ours, which makes our method a more suitable candidate for robotic purposes. We use this paper as another baseline for our method.

III. PROBLEM FORMULATION

Given a length- M sequence of global human 3D joint positions (skeletons) $X_{1:M}$, we seek to predict a length- N sequence of future human 3D joint positions $X_{M+1:M+N}$. Each $X_i \in \mathbb{R}^{51}$ represents one frame of seventeen 3D global human joint positions at frame i .

Add something like "Fig. 1 illustrates the problem of 3D global joint position prediction." after we put a figure on the first page.

IV. METHODOLOGY

In this section, we present the non-autoregressive architecture of our proposed transformer model.

We divide the prediction task it into two interdependent parts. The first part is to predict the future 3D hip trajectory, $X_{M+1:M+N}^T$, from previously observed ones, $X_{1:M}^T$. The hip is the standard joint position for representing the 3D human position purpose [24]–[26]. Next, as the second part of the problem, we aim to predict future 3D human pose sequence, $X_{M+1:M+N}^P$, from the observed ones, $X_{1:M}^P$. Here a 3D human pose is defined as all joints relative 3D position with respect to the fixed hip joint. The superscript T and P denote the human trajectory and pose sequence, respectively. We aim to solve the two parts simultaneously, as the features transferred in between can improve the predictions.

In this paper, we propose to solve this problem by conditional sequence modelling where the goal is to model the conditional probabilities $P(X_{M+1:M+N}|X_{1:M}; \theta)$ where θ is the set of parameters of a non-autoregressive transformer.

A. Model Structure

In our model, we follow the main structure of the autoregressive [8] and non-autoregressive [23] transformers with multiple improvements and adjustments. Fig. 1 shows the structure of our model architecture. The model simultaneously predicts the human pose (upper section) and trajectory (lower section). The encoders and decoders are composed of L layers, each with the structure in [8], containing multi-head, self- or encoder-decoder attention layers as well as fully-connected layers. The encoders receive a sequence of 3D human poses $X_{1:M}^P$ or hip trajectory $X_{1:M}^T$, and generate the two sequences of embeddings $Z_{1:M}^P$ and $Z_{1:M}^T$. While the main structure of the transformer model learns the temporal dependencies, two networks are added (ϕ and ψ) as pose encoder (GCN-based) and pose decoder (MLP-based) to identify the spatial dependencies between the joints in each frame. The pose and trajectory encoding networks, ϕ_P and ϕ_T , are GCNs that learn relationship between nodes . The

weight of the graph edges represented by the adjacency matrix is used to compute embeddings of dimension D for the human pose and human trajectory vectors in the input sequences $X_{1:M}^P$ and $X_{1:M}^T$. In order to modify the model to perform in non-autoregressive manner, the last frame of input sequences, X_M^P and X_M^T , were copied and used as *query sequences* for decoders input. The model generates pose and trajectory predictions $X_{M+1:M+N}^P$ and $X_{M+1:M+N}^T$, in parallel using the networks ψ_P and ψ_T , from the decoder outputs and a residual connection containing the query sequences. Therefore, the decoders learn the offsets with respect to last seen frame.

One of the benefits of our architecture is that we can share the representation between human pose and trajectory prediction modules. In order to fully benefit from the combination of human poses and hip trajectory, we have added a multi-head attention module called *Middle Attention* to apply attention between pose and trajectory encoder outputs as shown in the middle of Fig. 1. First, we apply a linear layer to pose encoder embedding, $Z_{1:M}^P$, to change the dimension from pose to trajectory embedding size. Then, we pass it with a copy as well as the trajectory encoder embedding, $Z_{1:M}^T$, to the multi-head attention module. We then add the multi-head attention output, $Z_{1:M}^{PT}$, with the hip trajectory encoder output to use it in the hip trajectory decoder. The added multi-head attention can improve the hip trajectory prediction compared to solely relying on hip trajectory history, since the human pose changes are related to how humans moves overall. In Section V-C we investigate how this attention module can help our model to predict more accurately.

In addition, we have added a multi-head attention layer to the end of each decoder called *End Attention*. This module can help the model to better learn the temporal dependencies between all frames. We concatenate the pose and trajectory encoders output with decoders output and apply a self-attention module. Then we output the last encoded features with the same length as target sequence length. To convert them to the actual sequence of future 3D human pose $X_{M+1:M+N}^P$ and hip trajectory $X_{M+1:M+N}^T$, the model uses a pose and trajectory decoder. We discuss the impact of this module in ablation study presented in Section V-C.

V. HUMAN MOTION PREDICTION EXPERIMENTS

In this section, we first describe the dataset used to train our model, implementation details, the baselines, and metrics. Then, we show the performance of our human motion prediction method with respect to baselines. Finally, we present results of ablation studies to demonstrate the effectiveness of different parts of our proposed architecture.

A. Preliminaries and Implementation Details

1) *Dataset*: In order to train the human motion prediction model, we used the well-known and standard Human3.6M dataset [27]. It contains 3D joint position of seven actors performing 15 activities, including walking, sitting, and smoking. Traditionally, this dataset has been used as a benchmark for human pose prediction [20], but we utilize it

should we mention what nodes represent?

TABLE I: Analytical comparisons between our developed model and the baselines introduced in [21] and [31] in term of ADE and FDE for both human pose and trajectory predictions and Inference Duration (ID)

Method	$ADE_{Pose}(m)$	$FDE_{Pose}(m)$	$ADE_{Traj}(m)$	$FDE_{Traj}(m)$	ID(msec)
DLow [21]	0.48	0.62	0.19	0.45	20
DMMGAN [31]	0.44	0.52	0.12	0.23	110
Hip Only [31]	NA	NA	0.15	0.30	18
Ours	0.50	0.75	0.13	0.27	25

for human trajectory prediction as well. As explained before, we extracted the hip trajectory of each actor for the human trajectory prediction and all other joints relative position with respect to the fixed hip for human pose prediction. Conventionally, for this dataset, one reduces the frame rate from 50 Hz to 25 Hz [21]–[23]; however, we used 10 Hz, a more suitable frame rate for robotic purposes as it is fast enough, reduces the complexity of our model, and speeds up predictions at test time. Also, we followed the standard input and output duration of our human pose prediction baseline, DLow [21] which are 0.5 sec (5 frames) for input and 2 sec (20 frames) for the output.

2) *Training*: We used Pytorch as our deep learning framework. The model was trained with AdamW [28] for 250 epochs with learning rate of 10^{-4} and batch size of 16. The model was trained after 50K steps with warm-up scheduled in first 10K steps.

3) *Model Parameters*: We set the embedding dimension for our pose prediction section of the model to $D_{Pose} = 512$ and $D_{Traj} = 64$ for trajectory prediction. Also, the fully-connected dimension in our encoders and decoders was set to 2048. The encoders and decoders each contain four layers of pre-normalized [29] multi-head attention modules with eight attention heads. Here, “pre-” or “post-normalized” refer to whether the normalization layer is the first layer in the multi-head attention module or the last one.

4) *Baselines*: We retrained the DLow model for simultaneous human poses and trajectory predictions with 10 Hz dataset to be able compare directly. We also compared our results with the similar method available in [31]. They are the only available method to compare with simultaneous human pose and trajectory predictions. As another baseline for trajectory predictions, we compare our method with a simple GRU-based method called *Hip Only* introduced as trajectory prediction baseline in [31]. In this baseline, a GRU is simply applied to the human trajectory after passing through a transformer encoder.

5) *Metrics*: In order to compare our results with the baselines, we use the conventional Average Displacement Error (ADE) and Final Displacement Error (FDE) [20] metrics. ADE is utilized to average L_2 distance over all time steps between ground truth and prediction. FDE utilizes L_2 distance between final ground truth frame and final predicted frame. We compared both metrics for both pose and trajectory predictions. As another important factor for real-time robotic purposes, we compared the algorithms’ speed at test time.

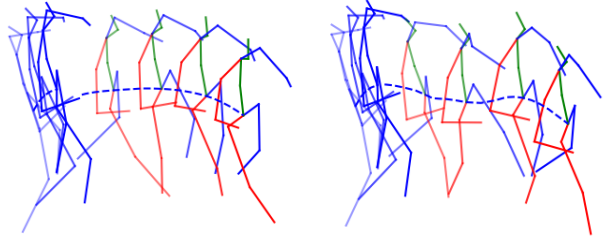


Fig. 2: A sample of the predicted motion (left) vs ground truth (right). The fully blue colored skeletons show the input sequence. Also, the trajectory of the hip is shown with dashed black lines.

B. Main Results

Table I quantitatively compares our method to the baselines. The achieved ADE_{Pose} is comparable to the state-of-the-art DLow [21] paper and DMMGAN [31]. Also, we have achieved better results for trajectory prediction with respect to DLow and *Hip Only* [31]. Also, We tested all the baselines as well as our model on a computer with Intel CPU Core i9-9980HK and RTX 2080 GPU. Due to the non-autoregressive nature of our method, we were able to achieve much better computation speed at test time compared to DMMGAN, and similar computation speed compared to DLow. However, our method has slightly worse but comparable ADE_{Pose} and FDE_{Pose} with respect to DLow and ADE_{Traj} and FDE_{Traj} with respect to DMMGAN [31]. This result was expected as discussed in [23]. The non-autoregressive nature of the model reduces the model’s capability in modeling correlation between frames which increases model error. As another reason, the DLow and DMMGAN, predict multiple possible predictions for an input sequence and ADE_{Pose} and FDE_{Pose} is calculated for the most similar predicted sequence to the ground truth. Naturally, it decreases their reported errors.

Note that for our robotic follow-ahead task, we need to make the prediction in less than 100 msec as the frame rate of the input data is 10 Hz. Therefore, the DMMGAN [31] was not a suitable choice for this task. Also, DLow’s trajectory prediction accuracy was not adequate. Therefore, our method provided the most suitable model in term of both accuracy and speed.

C. Ablation Study

We performed an ablation study to evaluate the training process and the effectiveness of different modules used in our model. To show one of the major advantages of our method, we discuss the effect of the *Middle Attention* module used for

TABLE II: Our ablation study analytical comparisons

Model	$ADE_{Pose}(m)$	$FDE_{Pose}(m)$	$ADE_{Traj}(m)$	$FDE_{Traj}(m)$
Ours without <i>Middle Attention</i>	0.50	0.75	0.16	0.33
Ours with <i>Middle Attention for Pose Prediction</i>	0.51	0.76	0.16	0.33
Ours without <i>End Attention</i>	0.52	0.77	0.18	0.33
Ours $D_{Pose} = 256, D_{Traj} = 32$	0.51	0.76	0.15	0.30
Ours <i>Post Normalized</i>	0.51	0.76	0.17	0.32
Ours	0.50	0.75	0.13	0.27

better trajectory predictions. We compare the current results with the cases that 1) no such module is applied and 2) the same module is applied for pose predictions.

Also, we study the effect of the *End Attention* module added to the end of each decoder which aims to better model temporal dependencies.

At the end, we compare the achieved accuracy with different embedding dimensions, D , and post-normalized [29] multi-head attention modules.

As one can see in the II, the middle attention module has improved the trajectory prediction by incorporating the human pose representation while predicting trajectory. The same module degraded the pose prediction and we believe there are two reasons for it. First, in some of the dataset motions, the body limbs have random movements, such as random hand waiving during walking, which makes the predictions harder. Second, it is harder to predict 16 joints movements based on the hip trajectory with respect to the reversed prediction.

VI. CONCLUSIONS

In this paper, we presented simultaneous human trajectory and motion prediction for a real-world robotic purpose. We used two parallel non-autoregressive transformers and modified it for our purpose. An attention module applied to encoder outputs, helped us to better share the representations between human pose and trajectory. It resulted in better trajectory prediction performance. Also, a multi-head self-attention module applied to each decoder output improved the model by better learning the time dependencies. We achieved better or comparable performance in term of both speed and trajectory prediction accuracy with respect to all the baselines. Also, the human pose prediction was performed with reasonable accuracy, despite the fact that our baselines predict multiple prediction sequences and the metrics are calculated between the most similar one to the ground truth.

REFERENCES

- [1] R. Gockley, J. Forlizzi and R. Simmons, "Natural Person-Following Behavior for Social Robots", in *Proceedings of the ACM/IEEE international conference on Human-robot interaction*, pp. 17-24, 2007.
- [2] A. Leigh, J. Pineau, N. Olmedo and H. Zhang, "Person tracking and following with 2d laser scanners", *IEEE international conference on robotics and automation (ICRA)*, pp. 726-733, IEEE, 2015.
- [3] P. Nikdel, R. Vaughan and M. Chen, "LBGP: Learning Based Goal Planning for Autonomous Following in Front", *IEEE International Conference on Robotics and Automation (ICRA)*, pp. 3140-3146, IEEE, 2021.
- [4] D. Karunaratne, Y. Morales, T. Kanda and H. Ishiguro, "Model of side-by-side walking without the robot knowing the goal", *International Journal of Social Robotics*, vol. 10, no. 4, pp. 401-420, IEEE, 2018.
- [5] E. J. Jung, B. J. Yi and S. Yuta, "Control algorithms for a mobile robot tracking a human in front", *Intelligent Robots and Systems (IROS)*, pp. 2411-2416, IEEE, 2012.
- [6] D. M. Ho, J. S. Hu and J. J. Wang, "Behavior control of the mobile robot for accompanying in front of a human", *Advanced Intelligent Mechatronics (AIM)*, pp. 377-382, IEEE, 2012.
- [7] Y. Huang, H. Bi, Z. Li, T. Mao and Z. Wang, "Stgat: Modeling spatial-temporal interactions for human trajectory prediction", in *Proceedings of the IEEE/CVF International Conference on Computer Vision*, pp. 6272-6281, IEEE, 2019.
- [8] A. Vaswani, N. Shazeer, N. Parmar, J. Uszkoreit, A. N. Gomez, L. Kaiser and I. Polosukhin, "Attention is all you need", *Advances in neural information processing systems*, vol. 30, IEEE, 2017.
- [9] W. Mao, M. Liu, M. Salzmann and H. Li, "Learning trajectory dependencies for human motion prediction", in *Proceedings of the IEEE/CVF International Conference on Computer Vision*, pp. 9489-9497, IEEE, 2019.
- [10] P. Nikdel, R. Shrestha and R. Vaughan, "The hands-free push-cart: Autonomous following in front by predicting user trajectory around obstacles", *International Conference on Robotics and Automation (ICRA)*, pp. 4548-4554, IEEE, 2018.
- [11] J. M. Pierre, "End-to-end deep learning for robotic following", *International Conference on Mechatronics Systems and Control Engineering*, pp. 77-85, IEEE, 2018.
- [12] S. Huh, D. H. Shim and J. Kim, "Integrated navigation system using camera and gimbaled laser scanner for indoor and outdoor autonomous flight of UAVs", *International Conference on Intelligent Robots and Systems (IROS)*, pp. 3158-3163, IEEE, 2013.
- [13] J. J. Lugo and A. Zell, "Framework for autonomous on-board navigation with the AR. Drone", *Journal of Intelligent and Robotic Systems*, vol. 73, no. 1, pp. 401-412, IEEE, 2014.
- [14] D. Nad, F. Mandić and N. Mišković, "Using autonomous underwater vehicles for diver tracking and navigation aiding", *Journal of marine science and engineering*, vol. 8, no. 6, p. 413, IEEE, 2020.
- [15] M. Wang, D. Su, L. Shi, Y. Liu and J. V. Miro, "Real-time 3D human tracking for mobile robots with multisensors", *International Conference on Robotics and Automation (ICRA)*, pp. 5081-5087, IEEE, 2017.
- [16] K. Fragkiadaki, S. Levine, P. Felsen and J. Malik, "Recurrent network models for human dynamics", in *Proceedings of the IEEE international conference on computer vision*, pp. 4346-4354, IEEE, 2015.
- [17] M. Li, S. Chen, Y. Zhao, Y. Zhang, Y. Wang and Q. Tian, "Multiscale Spatio-Temporal Graph Neural Networks for 3D Skeleton-Based Motion Prediction" *IEEE Transactions on Image Processing*, vol. 30, pp. 7760-7775, 2021.
- [18] J. Fu, F. Yang and J. Yin, "Learning Dynamic Correlations in Spatiotemporal Graphs for Motion Prediction" *arXiv preprint arXiv:2204.01297*, 2022.
- [19] L. Y. Gui, Y. X. Wang, X. Liang and J. M. Moura, "Adversarial geometry-aware human motion prediction", in *Proceedings of the european conference on computer vision (ECCV)*, pp. 786-803, 2018.
- [20] K. Lyu, H. Chen, Z. Liu, B. Zhang and R. Wang, "3D human motion prediction: A survey", in *Neurocomputing*, vol. 489, pp. 345-365, 2022.
- [21] Y. Yuan and K. Kitani, "Dlow: Diversifying latent flows for diverse human motion prediction", in *European Conference on Computer Vision*, pp. 346-364, Springer, 2020.
- [22] E. Aksan, M. Kaufmann, P. Cao and O. Hilliges, "A spatio-temporal

- transformer for 3d human motion prediction”, in *International Conference on 3D Vision (3DV)*, pp. 565-574, IEEE, 2021.
- [23] A. M. González, M. Villamizar and J. M. Odobez, “Pose transformers (potr): Human motion prediction with non-autoregressive transformers”, in *Proceedings of the IEEE/CVF International Conference on Computer Vision*, pp. 2276-2284, IEEE, 2021.
- [24] A. Postnikov, A. Gamayunov and G. Ferrer, “Transformer based trajectory prediction”, *arXiv preprint arXiv:2112.04350*, 2021.
- [25] F. Giuliari, I. Hasan, M. Cristani and F. Galasso, “Transformer networks for trajectory forecasting”, *International conference on pattern recognition (ICPR)*, pp. 10335-10342. IEEE, 2021.
- [26] L. Achaji, T. Barry, T. Fouqueray, J. Moreau, F. Aioun and F. Charpillat, “PreTR: Spatio-Temporal Non-Autoregressive Trajectory Prediction Transformer”, *arXiv preprint arXiv:2203.09293*, 2022.
- [27] I. Catalin, D. Papava, V. Olaru and C. Sminchisescu, “Human3.6m: Large scale datasets and predictive methods for 3d human sensing in natural environments”, *Transactions on Pattern Analysis and Machine Intelligence*, vol. 36, no. 7, pp. 1325–1339, IEEE, 2014.
- [28] I. Loshchilov and F. Hutter, “Decoupled weight decay regularization”, *International Conference on Learning Representations*, IEEE, 2019.
- [29] R. Xiong, Y. Yang, D. He, K. Zheng, S. Zheng, C. Xing, H. Zhang, Y. Lan, L. Wang and T. Liu, “On layer normalization in the transformer architecture”, *International Conference on Machine Learning*, pp. 10524-10533, PMLR, 2020.
- [30] D. Singh, E. Trivedi, Y. Sharma and V. Niranjan, “TurtleBot: Design and Hardware Component Selection,” *GUCON*, IEEE, 2018.
- [31] P. Nikdel, M. Mahdavian and M. Chen, “DMMGAN: Diverse Multi 3D Human Motion Prediction using Attention Based Generative Adversarial Network”, *arXiv preprint arXiv:2204.01298*, 2022.
- [32] F. Schmidt “Generalization in generation: A closer look at exposure bias”, *arXiv preprint arXiv:1910.00292*, 2019.
- [33] P. Agand, M. TaherAhmadi, A. Lim, and M. Chen “Human Navigational Intent Inference with Probabilistic and Optimal Approaches”, *International Conference on Robotics and Automation (ICRA)*, pp. 8562-8568, 2022.