

Bounded lightcone and robust topological order out of equilibrium

Yu Zeng,¹ Alioscia Hamma,^{2,*} Yu-Ran Zhang,³ Jun-Peng Cao,¹ Heng Fan,^{1,†} and Wu-Ming Liu^{1,‡}

¹*Beijing National Laboratory for Condensed Matter Physics,*

Institute of Physics, Chinese Academy of Sciences, Beijing 100190, China

²*Department of Physics, University of Massachusetts Boston, 100 Morrissey Blvd, Boston MA 02125, USA*

³*Theoretical Quantum Physics Laboratory, RIKEN Cluster for Pioneering Research, Wako-shi, Saitama 351-0198, Japan*

The ground state degeneracy of topologically ordered gapped Hamiltonians is the bedrock for a quantum error-correcting code with macroscopic distance, which is unfortunately not stable away from equilibrium. In this work, we show that the presence of a bounded lightcone preserves topological order. As a quantum code, the initial ground space will keep its macroscopic distance during unitary time evolution. We also show how a bounded lightcone can emerge through suitable perturbations in the two-dimensional toric code. Our results suggest that topological quantum memory can be dynamically robust at zero temperature.

Introduction.—The gapped quantum phases of matter with topological order (TO) go beyond the Landau paradigm and possess locally indistinguishable degenerate ground states on closed space manifolds [1, 2], whose properties make them promising candidates as self-correcting quantum memories (QMs) [3]. Correspondingly, quantum error-correcting codes (QECs) provide toy models of TO with Hamiltonians that are sum of commuting local projectors and ground spaces as code spaces with macroscopic distance [4]. Along with decades of theoretical exploration, the intimacy between TO and quantum information processing [5] has also recently sparked much experimental effort to realize topologically ordered states [6, 7] and QECs [8–11].

The code space with TO is robust in the sense that the gap is stable against inevitable small local perturbations, and the splitting of the topological degeneracy is exponentially small with the system size [12]. Meanwhile, the states in the same phase are connected by a quasi-adiabatic continuation that preserves the macroscopic distance [12–14]. However, the initially prepared state will typically not be an eigenstate of the perturbed Hamiltonian. Though, in principle, we can initialize the code state by adiabatic evolution [47], it generally requires repeated syndrome measurements to project the system to a ground state of the unperturbed Hamiltonian [3]. For this reason, the nonequilibrium effects of dynamics must be considered. Unfortunately, the topological QM is not robust away from equilibrium, e.g., after a quantum quench with only logarithmic lifetimes with suitable models [15, 16]. Indeed, the TO is lost in the long-time limit observed by the thermalization of the topological entropy [17]. Remedies were proposed in [18, 19], where Andersen localization can constrain the movement of point-like excitations to form a logical error and thus increase the lifetime of the QMs.

In this letter, we show that a topologically ordered system with a bounded effective lightcone preserves its TO under unitary time evolution. The lightcone emerges from the Lieb-Robinson bound (LRB). Its boundedness renders the time evolution operator effectively local. As a result, TO is preserved during time evolution. Accordingly, the initial ground space continues to be a QEC with macroscopic distance. We substantiate this setting by introducing randomness in the couplings of the toric code, thereby obtaining dynamical local-

ization with a bounded lightcone. We also present numerical results for the typical non-local TO parameters to support our conclusions.

Bounded lightcone and TO.—Consider a quantum system defined on a D -dimensional lattice Λ , a metric space of linear size L . The Hilbert space is a tensor product of the local Hilbert spaces on lattice sites, $\mathcal{H} = \otimes_{i \in \Lambda} \mathcal{H}_i$, $\dim(\mathcal{H}_i) = \mathcal{O}(1)$. The Hamiltonian is a sum of commuting local terms $H_0 = \sum_Z H_Z$, where H_Z is supported on a bounded set $Z \subset \Lambda$. The dimension of the ground-space projector P_0 depends only on the topology of the space manifold. TO is defined by the existence of a length $L^* = \Omega(L)$ such that arbitrary operator O supported on set whose diameter $\leq L^*$, does satisfy $P_0 O P_0 \propto P_0$ [12]. We then say that P_0 is a QEC with macroscopic distance [20]. Notice that a ground space P is a QEC correcting error \mathcal{E} iff $PE^\dagger EP \propto P$ for all $E \in \mathcal{E}$, where \mathcal{E} is a linear space of errors [21, 22]. Introducing small local perturbations, we can define a continuous family of Hamiltonians, $H_s = H_0 + sV$, $0 \leq s \leq 1$, where the gap of H_s is not closed and degeneracy splitting is exponentially small with L . Consequently, the ground-state projectors in the same phase are quasi-adiabatically connected by a local unitary, $P_s = U_s P_0 U_s^\dagger$. P_s is of ‘perturbed’ TO quantified as [23]:

Definition 1. P is topologically ordered, if for any operator O supported on a set whose diameter is smaller than L^* , there exist $L^* = \Omega(L)$, $\epsilon = \exp(-\Omega(L^a))$ with $a > 0$ and a scalar z such that

$$\|POP - zP\| \leq \epsilon. \quad (1)$$

We say P is of TO to accuracy (L^*, ϵ) .

For example, if P_0 is of TO to accuracy $(L/2, 0)$ then one can prove that P_1 is of TO to accuracy $(L/4, e^{-\Omega(L^a)})$ [12–14]. So P_1 continues to be a QEC approximately with macroscopic distance for large L . We will show that this continuation can also appear in quantum dynamics.

The speed of light gives a fundamental constraint in relativistic quantum field theory, called ‘microcausality’. It states that the commutator of two local physical operators vanishes if they are spacelike separated. There is an analogous property

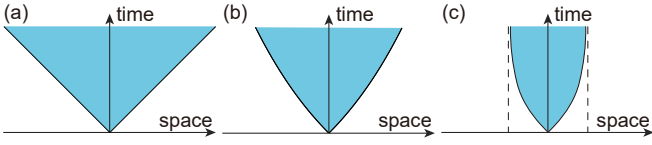


FIG. 1. Schematic illustration of (a) linear, (b) logarithmic, and (c) bounded effective lightcone. The blue regions depict causal regions.

for nonrelativistic many-body quantum systems with local interactions: an effective *linear* lightcone emerging characterized by the Lieb-Robinson velocity v , which is the maximum velocity of signals in the model [23–26]. The LRB states that, for any two operators A_X and B_Y supported on subset X and Y in Λ , the distance between which is $\text{dist}(X, Y) = l$, if $l - vt > 0$, then $\|[A_X(t), B_Y]\| \leq \exp(-\Omega(l))$. Here the operators are in the Heisenberg picture. So signals outside the lightcone are exponentially suppressed.

The linear LRB is an essential property of generic local quantum systems. It lays the foundations of proofs of many important theorems in many-body physics [27–32]. Anyway, the bound can be tighter in particular classes of quantum systems. Reference [33–39] argues that the system of many-body localization is intimately associated with the *logarithmic* lightcone. Though the logarithmic LRB was first proved in the one-dimensional XX model with Anderson localization [40], it was further demonstrated that the bound is actually time independent [41]. Later works generalized the result to the one-dimensional XY model [42–44]. Next, we give a formal definition of the *bounded* lightcone for generic quantum systems and show its consequences. The three types of lightcones are illustrated schematically in Fig. 1.

Definition 2. A quantum system possesses a bounded lightcone, if any two operators A_X and B_Y supported on subsets X and Y at a distance of $\text{dist}(X, Y)$ satisfy

$$\|[A_X(t), B_Y]\| \leq C |X| \|A_X\| \|B_Y\| e^{-\mu(\text{dist}(X, Y))}. \quad (2)$$

Here C and μ are nonnegative constant, $\|\dots\|$ denotes operator norm, $|\dots|$ the cardinality of the set.

Proposition 1. If P_0 possesses TO to accuracy (L^*, ϵ) , $\epsilon = \exp(-\Omega(L))$ and the system with Hamiltonian H_1 has a bounded lightcone, then $P(t) = U(t)P_0U(t)^\dagger$ is topological ordered, where $U(t) = \exp(-itH_1)$.

Proof. For any O_A , $\|O_A\| = 1$ without loss of generality, supported on A with diameter $\text{diam}(A) \leq L^*/2$, we will prove that there exists a scalar z such that $\|P(t)O_AP(t) - zP(t)\| = \|P_0O_AP_0 - zP_0\| \leq \epsilon'$. Notice that the support of $O_A(t)$ is Λ . Let S denote the subset having distance at most $L^*/2$ from A , and $\bar{S} = \Lambda - S$ is the complement set of S . Following Ref. [23], we can approximate $O_A(t)$ by an operator $O_A^{L^*/2}(t) = \frac{1}{\text{Tr}_{\bar{S}}(\mathbb{1}_{\bar{S}})} \text{Tr}_{\bar{S}}(O_A(t)) \otimes \mathbb{1}_{\bar{S}}$, whose support is S . Indeed,

$$O_A^{L^*/2}(t) = \int d\mu(V) V O_A(t) V^\dagger, \quad (3)$$

where V is a unitary operator acting on \bar{S} and $\mu(V)$ is the Haar measure for V . Therefore, $\|O_A(t) - O_A^{L^*/2}(t)\| \leq \int d\mu(V) \|[V, O_A(t)]\|$. Combining Eq. (2), and absorbing the geometric factor into C , we have $\|O_A(t) - O_A^{L^*/2}(t)\| \leq CL^{*D} e^{-\frac{1}{2}\mu L^*}$. Since $\text{diam}(S) \leq L^*$ and P_0 has TO to accuracy (L^*, ϵ) , there exists a scalar z such that $\|P_0O_A^{L^*/2}(t)P_0 - zP_0\| \leq \epsilon$. Applying triangle inequality, we finally get

$$\|P_0O_A(t)P_0 - zP_0\| \leq \epsilon + CL^{*D} e^{-\frac{1}{2}\mu L^*} = \epsilon'. \quad (4)$$

Since exponential decay overwhelms algebraic increase, $\epsilon' = \exp(-\Omega(L))$. So $P_0(t)$ has TO to accuracy $(\frac{L^*}{2}, \epsilon')$. \square

Proposition 2. For a local Hamiltonian $H_0 = \sum_Z H_Z$ where Z 's are bounded sets, $H(t) = U(t)H_0U(t)^\dagger$ defines a family of iso-spectral local Hamiltonians.

Proof. Since $U(t)$ is unitary, $H(t)$ is iso-spectral for all t . We next prove $H(t) = \sum_Z H_Z(t)$ is a local Hamiltonian. First, as in Eq. (3), each $H_Z(t)$ can be approximated by $H_Z^l(t) = \int d\mu(V) V H_Z(t) V^\dagger$, where the integral is over unitary operator acting on the set with a distance larger than l from set Z with Haar measure. Then, $H_Z^l(t)$ is supported on the ball of radius l about set Z , denoted by $B_l(Z)$. Therefore, we get

$$\|H_Z(t) - H_Z^l(t)\| \leq C |Z| \|H_Z\| e^{-\mu l}. \quad (5)$$

Then, $H = \sum_{Z'} H_{Z'}$ is a local Hamiltonian if for any point $j \in \Lambda$,

$$\sum_{Z' \ni j} \|H_{Z'}\| |Z'| \exp[\nu \text{diam}(Z')] = \mathcal{O}(1), \quad (6)$$

where ν is a positive constant [12, 29, 45]. Here $\text{diam}(Z')$ can be arbitrary large, while $\|H_{Z'}\|$ needs to be exponentially decaying with $\text{diam}(Z')$. Therefore, this general notion of locality allows the interaction term can have an exponentially decaying tail instead of being exactly finite support. We decompose $H_Z(t) = \sum_l \tilde{H}_Z^l(t)$ by defining a sequence of operators $\tilde{H}_Z^l(t) = H_Z^l(t) - H_Z^{l-1}(t)$, $\tilde{H}_Z^0 = H_Z^0(t)$. $\tilde{H}_Z^l(t)$ is supported on set $B_l(Z)$ with $\text{diam}(B_l(Z)) \leq \text{diam}(Z) + 2l$, and its norm can be bounded using Eq. (5) and the triangle inequality: $\|\tilde{H}_Z^l(t)\| \leq C' e^{\frac{\mu}{2} \text{diam}(Z)} |Z| \|H_Z\| e^{-\frac{\mu}{2} \text{diam}(B_l(Z))}$, where $C' = C(1 + e^\mu)$ is a constant. Since $|Z|$, $\|H_Z\|$ and $\text{diam}(Z)$ are bounded by constants, $H(t) = \sum_Z H_Z(t) = \sum_{Z, l} \tilde{H}_Z^l(t)$, satisfying local condition Eq. (6), is a local Hamiltonian. \square

Proposition 1 states that the initial ground space continues to be a QEC with macroscopic distance after time evolution if the system is of a bounded lightcone. Proposition 2 further manifests that all $H(t)$ belong to the same connected component of iso-spectral local Hamiltonians so that adiabatic evolution is well defined [46], so the initial quantum phase of TO is preserved [45]. As a concrete example, we will show how the bounded lightcone can emerge in a perturbed toric code model.

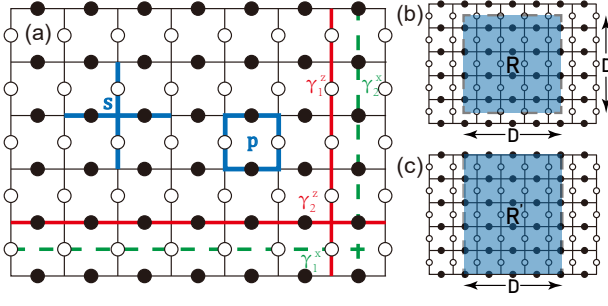


FIG. 2. (a) Illustration of the square lattice Λ with physical spins living on the bonds in odd rows (black dots) and even rows (white dots). The Examples of star (s), plaquette (p), and the non-contractible path γ_i^α ($\alpha = x, z$ and $i = 1, 2$) are shown. (b) Square $D \times D$ region R . (c) Cylindrical $L \times D$ region R'

Toric code with a bounded lightcone.— Consider the two dimensional toric code defined on a $L \times L$ square lattice Λ with periodic boundary conditions and spins $1/2$ on the bonds of the lattice [4]. The Hamiltonian is given by $H_{TC}(J) = -\sum_s J_s A_s - \sum_p J_p B_p$, where $A_s \equiv \prod_{i \in \partial s} \sigma_i^x$ and $B_p \equiv \prod_{i \in \partial p} \sigma_i^z$ are stabilizer operators indexed by s on the lattice site (vertex) and p on the dual lattice site (face). All the coupling constants J_s and J_p are positive, so each stabilizer operator acts trivially as $+1$ in an arbitrary ground state. The ground space is 4-fold degenerate on the torus and is of TO to accuracy $([\frac{L-1}{2}], 0)$. We can thus encode 2 qubits in a ground state. The logical operators are two pairs of topologically non-trivial string operators: $W_i^\alpha \equiv \prod_{l \in \gamma_i^\alpha} \sigma_l^\alpha$ with $\alpha = x, z$, and i counts the generators of the homotopy group of the torus. The non-contractible path of γ^x connects dual lattice sites, while γ^z connects lattice sites, see Fig. 2 (a).

The protocol of dynamics we consider is quantum quench [48]. The initial state is $|\Psi(0)\rangle$, a ground state of pre-quench Hamiltonian H_{TC} (without loss of generality, we choose the sector of $W_1^x = 1, W_2^z = 1$ [49]), and the post-quench Hamiltonian reads

$$H(J, h) = H_{TC}(J) - \sum_{i \in \text{odd rows}} h_i^o \sigma_i^z - \sum_{j \in \text{even rows}} h_j^e \sigma_j^x, \quad (7)$$

where the odd (even) rows are shown in Fig. 2 (a). Then the initial state evolves as $|\Psi(t)\rangle = U(J, h; t)|\Psi(0)\rangle$, with $U(J, h; t) = e^{-itH(J, h)}$. We can map the stabilizer operators to effective spins residing on lattice and dual lattice sites [17, 50]: $A_s \mapsto \tau_s^z$ and $B_p \mapsto \tau_p^x$. Each external local field operator flips the effective spins on its two ends. In this ‘ τ -picture’, we have $\sigma_{\langle s, s' \rangle}^z \mapsto \tau_s^x \tau_{s'}^x$ and $\sigma_{\langle p, p' \rangle}^x \mapsto \tau_p^z \tau_{p'}^z$, where $\langle s, s' \rangle$ labels the bond between the two adjacent lattice sites s and s' , while $\langle p, p' \rangle$ the bond between the two adjacent dual lattice sites p and p' . The Hamiltonian Eq. (7) is mapped to the sums of quantum Ising chains as $H(J, h) = \sum_{l=1}^{2L} \sum_{j=1}^L [-J_{l,j} \tau_{l,j}^z - h_{l,j} \tau_{l,j}^x \tau_{l,j+1}^x]$, with period boundary condition in the sector we choose. Since the Ising chains are uncoupled, it can be solved by mapping the τ spins to fermion operators via Jordan-Wigner transformations:

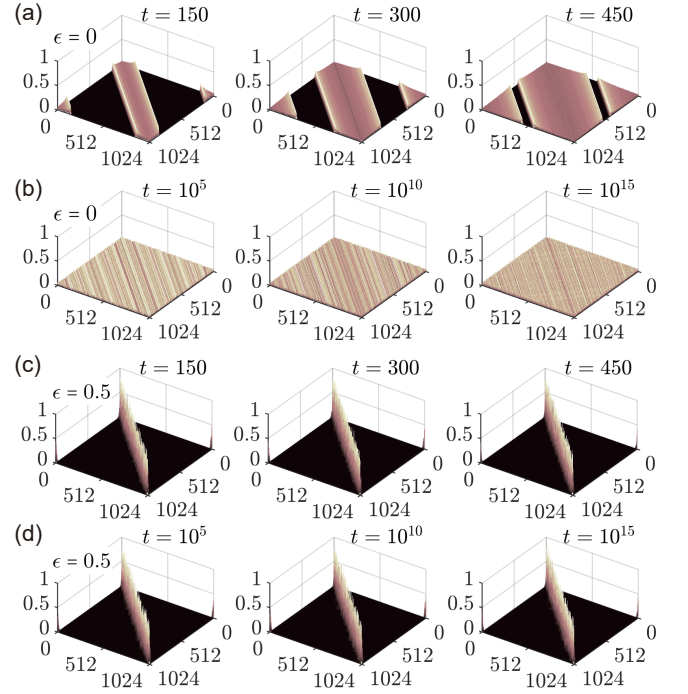


FIG. 3. Typical value of $\mathcal{M}_{i,j}(t) = |\mathcal{U}_{2i-1,2j-1}(t)| + |\mathcal{U}_{2i-1,2j}(t)|$ for (a)-(b) $\epsilon = 0$ and (c)-(d) $\epsilon = 0.5$.

$\tau_j^z = 1 - 2c_j^\dagger c_j$ and $\tau_j^x = \prod_{i < j} (1 - 2c_i^\dagger c_i)(c_j + c_j^\dagger)$, where we have omitted the row index. Introducing a row vector $\psi^\dagger = (c_1^\dagger, c_1, c_2^\dagger, c_2, \dots, c_N^\dagger, c_N)$ and its Hermitian conjugate column vector ψ , we write the Hamiltonian as the quadratic form $H_l(J, h) = \frac{1}{2} \psi^\dagger \mathcal{H}(J, h) \psi$. The first quantized Hamiltonian is given as a 2×2 -block tri-diagonal Jacobi matrix (except for the boundary terms) $\mathcal{H}(J, h)_{i,j} = [2J_i \delta_{i,j} - h_i (\delta_{i,j-1} + \delta_{i-1,j})] \sigma^z - i h_i (\delta_{i,j-1} - \delta_{i-1,j}) \sigma^y$. The fermion operators in the Heisenberg picture are $c_i(t) = \sum_{j=1}^N \mathcal{U}_{2i-1,2j-1}(t) c_j + \mathcal{U}_{2i-1,2j}(t) c_j^\dagger$, where $\mathcal{U}(t) = e^{-it\mathcal{H}}$. In Refs. [41, 42], it was proved that the system is of bounded lightcone provided the dynamical-localization condition is satisfied:

$$\mathbb{E} \left[\sup_{t \in \mathbb{R}} (\mathcal{M}_{i,j}(t)) \right] \leq C e^{-\mu |i-j|^\zeta}, \quad (8)$$

where $\mathcal{M}_{i,j}(t) = |\mathcal{U}_{2i-1,2j-1}(t)| + |\mathcal{U}_{2i-1,2j}(t)|$ and $\zeta \in (0, 1]$. A general result of Ref. [43] covers the model we discussed with conditions of large disorder and sufficiently smooth distribution of $\{J\}$. The exact exponential decay with $\zeta = 1$ in Eq. (8) is proved therein. For arbitrary nontrivial compactly supported distributions, Ref. [42] proved Eq. (8) with $\eta \in (0, 1)$, where the bound decays sub-exponentially provided the gap is not closed. Note that we can define $\text{dist}'(i, j) = |i - j|^\zeta$, which is a well-defined distance, and then the bound turns out to exponential decay.

Setting $J_j = 1 + \epsilon \eta_j$ where $\eta_j \in [-1, 1]$ are i.i.d random variables, and $h_j = 0.5$, we illustrate the numeric results of $\mathcal{M}_{i,j}(t)$ with $\epsilon = 0$ and $\epsilon = 0.5$ for different time scales in Fig. 3. For the clean case $\epsilon = 0$, the peaks of $\mathcal{M}(t)$ spread in

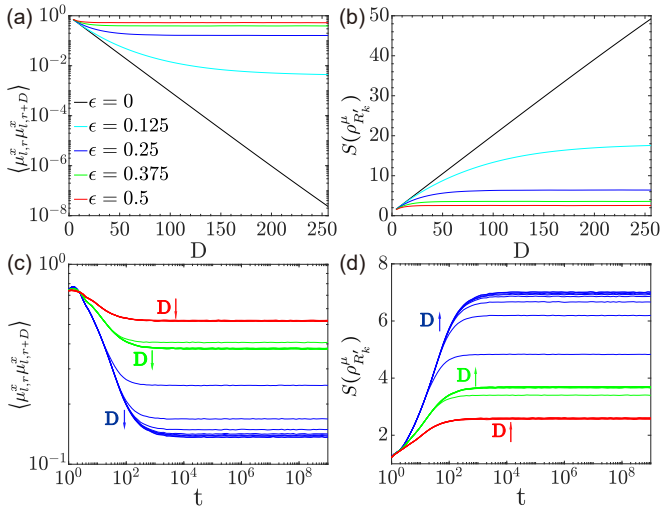


FIG. 4. Disorder-averaged (a) $\langle \mu_{l,r}^x \mu_{l,r+D}^x \rangle$; (b) $S(\rho_{R'_k}^\mu)$ at $t = 250$ for each ϵ with 1000 disorder realization, $L = 1024$. Disorder-average for each ϵ with 2000 disorder realization of (c) $\langle \mu_{l,r}^x \mu_{l,r+D}^x \rangle$ with increasing D from top to bottom; (d) $S(\rho_{R'_k}^\mu)$ with increasing D from bottom to top after long time evolution, $D \in \{32, 64, \dots, 256\}$, $L = 512$.

the anti-diagonal direction with a linear velocity and are uniformly distributed in every matrix entry on long-time scales. So every local operator in Heisenberg picture will be nonlocal after a long-time evolution. For example, $H(t)$ in proposition 2 will not be a local Hamiltonian. In contrast, disorders with nonzero ϵ make $\mathcal{M}(t)$ close to the identity matrix with exponentially small off-diagonal elements at all times. As a result, the local operator will always be quasi-local with exponentially small tail.

At this point, we investigate the dynamics of two typical *nonlocal* order parameters for TO to confirm $|\Psi(t)\rangle$ and $|\Psi(0)\rangle$ belong to the same phase. If only one type of external fields are turned on ($h^o \neq 0$ and $h^e = 0$ for clarity), the Z_2 gauge structure is intact during the time evolution. Consider the closed string connecting the dual lattice sites and surrounding a square region R with side length D , see Fig. 2 (b). The *Wilson loop* operator reads $W_{\partial R} \equiv \prod_{i \in \partial R} \sigma_i^x = \prod_{s \in R} A_s$ [51]. In the τ picture, each A_s corresponds to an effective spin τ_s^z , so the Wilson loop operator is products of D rows of τ^z strings. Taking advantage of the dual symmetry we transform the τ spins to their dual μ spins: $\mu_{l,j}^x = \prod_{k \leq j} \tau_{l,k}^z$. then the Wilson loop operator expectation value is mapped to the spin correlation function in μ picture: $\langle W_{\partial R} \rangle = \prod_{l=1}^D \langle \mu_{l,r}^x \mu_{l,r+D}^x \rangle$. Setting $t = 250$ fixed, the numerical results shown in Fig. 4 (a) indicate that, as disorder increase (without closing the gap), the spin correlation function tends to resilience with the distance, which results in the perimeter law: $\langle W_{\partial R} \rangle \sim \exp(-\mathcal{O}(|\partial R|))$, where $|\partial R| = 4D$. So the system is deconfined (TO). The numerical data for a long time evolution show that correlation functions converge as D increases, see Fig. 4 (c), leading to the same conclusion.

To further support the claim of robustness of TO, we dis-

cuss the dynamics of the *topological entanglement entropy* [52–56]. We first calculate the entanglement entropy of an extended cylindrical region R' [Fig. 2 (c)], which is $S(\rho_{R'}) = -\text{tr} \rho_{R'} \log_2 \rho_{R'}$. The boundary contains only left and right sides at a distance of D , and the length of each side is L . The entanglement entropy of the reduced density operator in the σ picture, $\rho_{R'}^\sigma$, equals the sum of entropy of each row in the μ picture [57]: $S(\rho_{R'}^\sigma) = \sum_{k=1}^{2L} S(\rho_{R'_k}^\mu)$. For the ground state ρ_0 of the TCM, $S_{\rho_0^\sigma} = 2L = \partial R'$ [52–54], and $S(\rho_{0R'_k}^\mu) = 1$. Notice that the topological entropy seems missing. This paradox is caused by the cylindrical region and the ground-space sector we choose where the ground state is an equal weighted superposition of all topologically trivial closed strings and a topologically non-trivial string along path γ_1^x . Unlike local regions, path γ_1^x always goes across the boundary of R' and cannot bypass it by continuous deformation. Nevertheless, the ground state ρ_0^z in sector $W_1^z = 1, W_2^z = 1$ contains only topologically trivial closed strings with $S(\rho_{0R'}^\sigma) = \partial R' - 1$, where the topological entropy appears as $\log_2 2 = 1$. The numerical results shown in Fig. 4 (b, d) manifest that $S(\rho_{R'}^\sigma; \epsilon) = \sum_{k=1}^{2L} S(\rho_{R'_k}^\mu; \epsilon) \leq 2\alpha(\epsilon)L$, where $\alpha(\epsilon)$ is independent of D , so the entanglement boundary law is conserved. For the same reason as the static ground states, topological entanglement entropy is $\log_2 2 = 1$ in the thermodynamic limit of both system and subsystem.

Conclusions.— In this paper, we prove that the ground space of a topologically ordered system is a robust QEC with macroscopic distance for all time if the system possesses a bounded lightcone; the TO quantum phase is preserved as the time evolution operator generates an adiabatic continuation. We also show that such a bounded lightcone can emerge in the toric code with random couplings. The numerical results for non-local order parameters demonstrate that the TO is preserved after a quantum quench.

The existence of macroscopic QECs for exponential lifetimes is necessary for self-correcting QMs. In perspective, it would be interesting to extend these results for an open system, e.g., a TO system coupled to an external bosonic bath at finite temperature. Except at four or greater spatial dimensions [3, 58], large classes of topological QMs are unfortunately not self-correcting [59–71], though polynomial lifetimes for the memories can be obtained by sophisticated designs [71–75]. One would want to understand under which conditions the dynamics generated by the bath interactions still possess a bounded lightcone or at least a logarithmic lightcone. In the future, it would be important to understand if this is supported in the model analyzed here.

This work was supported by National Key R&D Program of China (grant Nos. 2021YFA1400900, 2021YFA0718300, 2021YFA1400243), NSFC (grant No. 61835013) (W. -M. L.); the National Key R&D Program of China (grant No. 2017YFA0304300), Strategic Priority Research Program of the Chinese Academy of Sciences (grant No. XDB28000000)(H. F.); NSFC (Grant Nos. 12074410, 12047502, 11934015)(J. -P. C); the JSPS Postdoctoral Fel-

lowship (Grant No. P19326), the JSPS KAKENHI (Grant No. JP19F19326)(Y. -R. Z); NSF (award No. 2014000) (A. H.).

* Alioscia.Hamma@umb.edu

† hfan@iphy.ac.cn

‡ wliu@iphy.ac.cn

- [1] X. -G. Wen, Q. Niu, *Ground-state degeneracy of the fractional quantum Hall states in the presence of a random potential and on high-genus Riemann surfaces*, *Phys. Rev. B* **41**, 9377 (1990).
- [2] X. -G. Wen, *Quantum field theory of many body systems* (Oxford university press, 2004).
- [3] E. Dennis, A. Kitaev, A. Landahl, and J. Preskill, *Topological quantum memory*, *J. Math. Phys.* **43**, 4452 (2002).
- [4] A. Y. Kitaev, *Fault-tolerant quantum computation by anyons*, *Ann. Phys. (N.Y.)* **303**, 2 (2003).
- [5] C. Nayak, S. H. Simon, A. Stern, M. Freedman, and S. Das Sarma, *Non-Abelian anyons and topological quantum computation*, *Rev. Mod. Phys.* **80**, 1083 (2008).
- [6] K. J. Satzinger, Y. -J. Liu, A. Smith *et al.*, *Realizing topologically ordered states on a quantum processor*, *Science* **374**, 1237 (2021).
- [7] G. Semeghini, H. Levine, A. Keesling *et al.*, *Probing topological spin liquids on a programmable quantum simulator*, *Science* **374**, 1242 (2021).
- [8] Google Quantum AI, *Exponential suppression of bit or phase errors with cyclic error correction*, *Nature* **595**, 383 (2021).
- [9] L. Egan, D. M. Debroy, C. Noel *et al.*, *Fault-tolerant control of an error-corrected qubit*, *Nature* **598**, 281 (2021).
- [10] S. Krinner, N. Lacroix, A. Remm, A. Di Paolo, E. Genois, C. Leroux, C. Hellings, S. Lazar, F. Swiadek, J. Herrmann *et al.*, *Realizing repeated quantum error correction in a distance-three surface code*, *Nature* **605**, 669 (2022).
- [11] Y. Zhao, Y. Ye, H. Huang, Y. Zhang, D. Wu, H. Guan, Q. Zhu, Z. Wei, T. He, S. Cao, *et al.*, *Realization of an Error-Correcting Surface Code with Superconducting Qubits*, *Phys. Rev. Lett.* **129**, 030501 (2022).
- [12] S. Bravyi, M. Hastings, and S. Michalakis, *Topological quantum order: Stability under local perturbations*, *J. Math. Phys.* **51**, 093512 (2010).
- [13] M. B. Hastings and X. -G. Wen, *Quasiadiabatic continuation of quantum states: The stability of topological ground-state degeneracy and emergent gauge invariance*, *Phys. Rev. B* **72**, 045141 (2005).
- [14] T. J. Osborne, *Simulating adiabatic evolution of gapped spin systems*, *Phys. Rev. A* **75**, 032321 (2007).
- [15] F. Pastawski, A. Kay, N. Schuch, and I. Cirac, *Limitations of passive protection of quantum information*, *Quantum Inf. Comput.* **10**, 0580 (2010).
- [16] A. Kay, *capabilities of a perturbed toric code as a quantum memory*, *Phys. Rev. Lett* **107**, 270502 (2011).
- [17] Y. Zeng, A. Hamma, and H. Fan, *Thermalization of topological entropy after a quantum quench*, *Phys. Rev. B* **94**, 125104 (2016).
- [18] J. R. Wootton and J. K. Pachos, *Bringing order through disorder: localization of errors in topological quantum memories*, *Phys. Rev. Lett.* **107**, 030503 (2011).
- [19] C. Stark, L. Pollet, A. Imamoğlu, and R. Renner, *Localization of toric code defects*, *Phys. Rev. Lett.* **107**, 030504 (2011).
- [20] S. Bravyi, D. Poulin, and B. Terhal, *Tradeoffs for Reliable Quantum Information Storage in 2D Systems* *Phys. Rev. Lett.* **104**, 050503 (2010).
- [21] M. A. Nielsen and I. L. Chuang, *Quantum Computation and Quantum Information* (Cambridge University Press, Cambridge, UK, 2010).
- [22] D. Gottesman, *An Introduction to Quantum Error Correction and Fault-Tolerant Quantum Computation* *arXiv:0904.2557* (2009).
- [23] S. Bravyi, M. B. Hastings, and F. Verstraete, *Lieb-Robinson bounds and the generation of correlations and topological quantum order*, *Phys. Rev. Lett.* **97**, 050401 (2006).
- [24] E. H. Lieb and D. W. Robinson, *The finite group velocity of quantum spin systems*, *Comm. Math. Phys.* **28**, 251 (1972).
- [25] B. Nachtergaele, Y. Ogata, and R. Sims, *Propagation of correlations in quantum lattice systems*, *J. Stat. Phys.* **124**, 1 (2006).
- [26] J. Eisert and T. J. Osborne, *General entanglement scaling Laws from time evolution*, *Phys. Rev. Lett.* **97**, 150404 (2006).
- [27] M. B. Hastings, *Lieb-Schultz-Mattis in higher dimensions* *Phys. Rev B* **69**, 104431 (2004).
- [28] M. B. Hastings, *Locality in quantum and Markov dynamics on lattices and networks*, *Phys. Rev. Lett.* **93**, 140402 (2004).
- [29] M. B. Hastings, T. Koma, *Spectral Gap and Exponential Decay of Correlations*, *Commun. Math. Phys.* **265**, 781 (2006).
- [30] B. Nachtergaele, and R. Sims, *Lieb-Robinson bounds and the exponential clustering theorem*, *Commun. Math. Phys.* **265**, 119 (2006).
- [31] M. B. Hastings and S. Michalakis, *Quantization of Hall Conductance for Interacting Electrons on a Torus*, *Commun. Math. Phys.* **334**, 433 (2015).
- [32] M. B. Hastings, *Quasi-adiabatic Continuation for Disordered Systems: Applications to Correlations, Lieb-Schultz-Mattis, and Hall Conductance*, *arXiv: 1001.5280*.
- [33] I. H. Kim, A. Chandran, and D. A. Abanin, *Local integrals of motion and the logarithmic lightcone in many-body localized systems*, *arXiv:1412.3073*.
- [34] D. -L. Deng, X. Li, J. H. Pixley, Y. -L. Wu, and S. Das Sarma, *Logarithmic entanglement lightcone in many-body localized systems*, *Phys. Rev. B* **95**, 024202 (2017).
- [35] Y. Chen, *Universal Logarithmic Scrambling in Many Body Localization*, *arXiv:1608.02765*
- [36] Y. Huang, Y. -L. Zhang, and X. Chen, *Out-of-TimeOrdered Correlators in Many-Body Localized Systems*, *Ann. Phys. (Berlin)* **529**, 1600318 (2017).
- [37] X. Chen, T. Zhou, D. A. Huse, and E. Fradkin, *Out-of-TimeOrder Correlations in Many-Body Localized and Thermal Phases*, *Ann. Phys. (Berlin)* **529**, 1600332 (2017).
- [38] R. Fan, P. Zhang, H. Shen, and H. Zhai, *Out-of-TimeOrder Correlation for Many-Body Localization*, *Science bulletin* **62**, 707 (2017).
- [39] B. Swingle and D. Chowdhury *Slow scrambling in disordered quantum systems*, *Phys. Rev. B* **95**, 060201(R) (2017).
- [40] C. K. Burrell and T. J. Osborne, *Bounds on the speed of information propagation in disordered quantum spin chains*, *Phys. Rev. Lett.* **99**, 167201 (2007).
- [41] E. Hamza, R. Sims, and G. Stolz, *Dynamical localization in disordered quantum spin systems*, *Comm. Math. Phys.* **315**, 215 (2012).
- [42] J. Chapman and G. Stolz, *Localization for random block operators related to the XY spin chain*, *Ann. Henri Poincaré* **16**, 405 (2015).
- [43] A. Elgart, M. Shamis, and S. Sodin, *Localisation for non-monotone Schrödinger operators*, *J. Eur. Math. Soc.* **16**, 909 (2014).
- [44] H. Abdul-Rahman, B. Nachtergaele, R. Sims, and G. Stolz,

- Localization properties of the disordered XY spin chain*, *Ann. Phys. (Berlin)* **529**, 1600280 (2017).
- [45] X. Chen, Z. -C. Gu, and X. -G. Wen, *Local unitary transformation, long-range quantum entanglement, wave function renormalization, and topological order*, *Phys. Rev. B* **82**, 155138 (2010).
- [46] A. Hamma, P. Zanardi, *Quantum entangling power of adiabatically connected Hamiltonians*, *Phys. Rev. A* **69**, 062319 (2004).
- [47] A. Hamma and D. A. Lidar, *Adiabatic Preparation of Topological Order*, *Phys. Rev. Lett.* **100**, 030502 (2008).
- [48] A. Mitra, *Quantum Quench Dynamics*, *Annu. Rev. Condens. Matter Phys.* **9**, 245 (2018).
- [49] These constraints do not change the general result. We illustrate in [17] that the density matrices for a local subsystem in different topological sectors are identical, thus the entanglement entropy and the topological entropy are unchanged.
- [50] J. Yu, S.-P. Kou, and X.-G. Wen, *Topological quantum phase transition in the transverse Wen-plaquette model*, *Europhys. Lett.* **84**, 17 004 (2008).
- [51] G. B. Halász and A. Hamma, *Probing topological order with Rényi entropy*, *Phys. Rev. A* **86**, 062330 (2012).
- [52] A. Hamma, R. Ionicioiu, and P. Zanardi, *Bipartite entanglement and entropic boundary law in lattice spin systems*, *Phys. Rev. A* **71**, 022315 (2005).
- [53] A. Hamma, R. Ionicioiu, P. Zanardi, *Ground state entanglement and geometric entropy in the Kitaev model*, *Phys. Lett. A* **337**, 22 (2005).
- [54] A. Hamma, R. Ionicioiu, and P. Zanardi, *Quantum entanglement in states generated by bilocal group algebras*, *Phys. Rev. A* **72**, 012324 (2005).
- [55] A. Kitaev and J. Preskill, *Topological entanglement entropy*, *Phys. Rev. Lett.* **96**, 110404 (2006).
- [56] M. Levin and X. -G. Wen, *Detecting topological order in a ground state wave function*, *Phys. Rev. Lett.* **96**, 110405 (2006).
- [57] In the Supplemental Material, we explain the expression of entanglement entropy for a cylindrical region. We also explain how to calculate correlation function and entanglement entropy.
- [58] R. Alicki, M. Horodecki, P. Horodecki, and R. Horodecki, *On thermal stability of topological qubit in Kitaev's 4D model*, *Open Syst. Inf. Dyn.* **17**, 1 (2010).
- [59] S. Bravyi, and B. Terhal, *A no-go theorem for a two-dimensional self-correcting quantum memory based on stabilizer codes*, *New J. Phys.* **11**, 043029 (2009).
- [60] O. Landon-Cardinal and D. Poulin, *Local topological order inhibits thermal stability in 2D*, *Phys. Rev. Lett.* **110**, 090502 (2013).
- [61] B. Yoshida, *Feasibility of self-correcting quantum memory and thermal stability of topological order*, *Ann. Phys. (Amsterdam)* **326**, 2566 (2011).
- [62] A. Hamma, P. Zanardi, X.-G. Wen, *String and Membrane condensation on 3D lattices*, *Phys. Rev. B* **72**, 035307 (2005).
- [63] C. Castelnovo and C. Chamon, *Entanglement and topological entropy of the toric code at finite temperature*, *Phys. Rev. B* **76**, 184442 (2007).
- [64] C. Castelnovo and C. Chamon, *Topological order in a three-dimensional toric code at finite temperature*, *Phys. Rev. B* **78**, 155120, (2008).
- [65] Z. Nussinov and G. Ortiz, *Autocorrelations and thermal fragility of anyonic loops in topologically quantum ordered systems*, *Phys. Rev. B* **77**, 064302 (2008).
- [66] S. Chesi, D. Loss, S. Bravyi, and B. M. Terhal, *Thermodynamic stability criteria for a quantum memory based on stabilizer and subsystem codes*, *New J. Phys.* **12**, 025013, (2010).
- [67] S. Iblisdir, D. Pérez-Garcia, M. Aguado, and J. Pachos, *Thermal states of anyonic systems*, *Nucl. Phys. B* **829**, 401 (2010).
- [68] M. B. Hastings, *Topological order at nonzero temperature*, *Phys. Rev. Lett.* **107**, 210501 (2011).
- [69] D. Mazáč and A. Hamma, *Topological order, entanglement, and quantum memory at finite temperature*, *Ann. Phys. (N.Y.)* **327**, 2096 (2012).
- [70] R. Mohseninia, *Thermal stability of the two-dimensional topological color code*, *Phys. Rev. A* **94**, 022306 (2016).
- [71] B. J. Brown, D. Loss, J. K. Pachos, C. N. Self, and J. R. Wootton, *Quantum memories at finite temperature*, *Rev. Mod. Phys.* **88**, 045005 (2016).
- [72] A. Hamma, C. Castelnovo, and C. Chamon, *Toric-boson model: Toward a topological quantum memory at finite temperature*, *Phys. Rev. B* **79**, 245122 (2009).
- [73] S. Chesi, B. Röthlisberger, and D. Loss, *Self-correcting quantum memory in a thermal environment*, *Phys. Rev. A* **82**, 022305, (2010).
- [74] J. Haah, *Local stabilizer codes in three dimensions without string logical operators*, *Phys. Rev. A* **83**, 042330 (2011).
- [75] S. Bravyi and J. Haah, *Quantum self-correction in the 3D cubic code model*, *Phys. Rev. Lett.* **111**, 200501 (2013).

Supplemental Material: Bounded lightcone and robust topological order out of equilibrium

Yu Zeng,¹ Alioscia Hamma,^{2,*} Yu-Ran Zhang,³ Jun-Peng Cao,¹ Heng Fan,^{1,†} and Wu-Ming Liu^{1,‡}

¹*Beijing National Laboratory for Condensed Matter Physics,
Institute of Physics, Chinese Academy of Sciences, Beijing 100190, China*

²*Department of Physics, University of Massachusetts Boston, 100 Morrissey Blvd, Boston MA 02125, USA*

³*Theoretical Quantum Physics Laboratory, RIKEN Cluster for Pioneering Research, Wako-shi, Saitama 351-0198, Japan*

I. VON NEUMANN ENTANGLEMENT ENTROPY FOR A CYLINDRICAL REGION

For the $N \times N$ square lattice on the torus, we consider the entanglement entropy between a cylindrical subsystem R' and its complement, see Fig. 2(c) in the main text. For arbitrary density matrix ρ , the reduced density operator can be expressed as [1, 2]

$$\rho_{R'} = 2^{-N(2D+1)} \sum_{\alpha_j \in \{0,x,y,z\}} \prod_{j \in R'} \sigma_j^{\alpha_j} \text{tr}[(\prod_{j \in R'} \sigma_j^{\alpha_j})^\dagger \rho]. \quad (1)$$

The normalization coefficient $2^{-N(2D+1)}$ results from the dimension of spin space and the number of spins in the R' . For an arbitrary pure state $\rho = |\Psi\rangle\langle\Psi|$, Eq. (1) is

$$\rho_{R'} = 2^{-N(2D+1)} \sum_{\alpha_j \in \{0,x,y,z\}} \prod_{j \in R'} \sigma_j^{\alpha_j} \langle\Psi|(\prod_{j \in R'} \sigma_j^{\alpha_j})^\dagger|\Psi\rangle. \quad (2)$$

As mentioned in the main text, $W_1^x = \prod_{l \in \gamma_1^x} \sigma_l^x$ and $W_2^z = \prod_{l \in \gamma_2^z} \sigma_l^z$ commute with the Hamiltonian, and $|\Psi\rangle$ is in the sector of $W_1^x = 1$, $W_2^z = 1$. Here, the non-contractible path γ_1^x (γ_2^z) can be arbitrary even (odd) closed horizontal line. We note that if an operator O anti-commutes with any W_1^x or W_2^z , $\langle\Psi|O|\Psi\rangle = 0$. For this reason, the reduced density operator can be written as

$$\rho_{R'} = 2^{-N(2D+1)} \sum_{\substack{g \in G_{R'}, h \in H_{R'} \\ x \in X_{R'}, z \in Z_{R'}}} \langle\Psi|xhzg|\Psi\rangle g_{R'} z_{R'} h_{R'} x_{R'}, \quad (3)$$

where the notation follows Ref. [3]. We first define 4 groups denoted by G , H , X and Z . G is generated by all independent $A_s = \prod_{j \in s} \sigma_j^x$; H is generated by all independent $B_p = \prod_{j \in p} \sigma_j^z$; X is generated by all σ^x on the bonds belonging to even rows; and Z is generated by all σ^z on the bonds belonging to odd rows. Then the subgroup $G_{R'}$ can be defined as $G_{R'} = \{g \in G | g = g_{R'} \otimes \mathbb{1}_{\bar{R}'}\}$, where R' denotes the complement of R . It means that the elements of $G_{R'}$ are supported on R' . The subgroups of $H_{R'}$, $X_{R'}$ and $Z_{R'}$ can be defined in a similar way. The elements of all these groups can be mapped to the μ picture unambiguously.

The Hamiltonian in the μ picture,

$$H(J, h) = \sum_{l=1}^{2N} \sum_{j=1}^N [-J_{l,j} \mu_{l,j}^x \mu_{l,j+1}^x - h_{l,j} \mu_{l,j}^z], \quad (4)$$

is a sum of uncorrelated quantum Ising chains, so the reduced density operator has the tensor product form

$$\rho_{R'}^\mu = \bigotimes_{l=1}^{2N} \rho_{R'_l}^\mu, \quad (5)$$

where R'_l denotes the l th row. Explicitly,

$$\rho_{R'_l}^\mu = 2^{D+1} \sum_{\substack{g \in G_{R'_l}, h \in H_{R'_l} \\ x \in X_{R'_l}, z \in Z_{R'_l}}} \langle\Psi_l^\mu|xhzg|\Psi_l^\mu\rangle g_{R'_l} z_{R'_l} h_{R'_l} x_{R'_l} \quad (6)$$

when l is odd; while

$$\rho_{R'_l}^\mu = 2^D \sum_{\substack{g \in G_{R'_l}, h \in H_{R'_l} \\ x \in X_{R'_l}, z \in Z_{R'_l}}} \langle\Psi_l^\mu|xhzg|\Psi_l^\mu\rangle g_{R'_l} z_{R'_l} h_{R'_l} x_{R'_l} \quad (7)$$

when l is even. As a consequence, the Von Neumann entropy of $\rho_{R'}^\sigma$ in the σ picture equals the sum of the entropies of $2M$ uncorrelated Ising chains in the μ picture,

$$S(\rho_{R'}^\sigma) = \sum_{l=1}^{2N} S(\rho_{R'_l}^\mu). \quad (8)$$

II. CALCULATION OF CORRELATION FUNCTION

The Hamiltonian of each Ising chain in the μ picture is

$$\hat{H}(J, h) = \sum_{j=1}^N -J_j \mu_j^x \mu_{j+1}^x - h_j \mu_j^z \quad (9)$$

with the periodic boundary condition, where the hat is adopted to distinguish from the two dimensional Hamiltonian. We concern the sector of $\prod_j \mu_j^z = 1$. The initial state $|\Psi_0^i\rangle$ is a ground of the pre-quench Hamiltonian \hat{H}^i , and at $t = 0$ the Hamiltonian is changed to the post-quench Hamiltonian \hat{H}^f , then the initial state will evolve as $|\Psi(t)\rangle = e^{-it\hat{H}^f} |\Psi_0^i\rangle$. We need to calculate the correlation function $\langle\Psi(t)|\mu_j^x \mu_l^x|\Psi(t)\rangle$. We apply the standard method of Jordan-Wigner transformation to map the spins to the free fermions

$$c_l = \left(\prod_{j=1}^{l-1} \mu_j^z \right) \frac{\mu_l^x + i\mu_l^y}{2}. \quad (10)$$

* Alioscia.Hamma@umb.edu

† hfan@iphy.ac.cn

‡ wliu@iphy.ac.cn

Then the spin Hamiltonian, Eq. (9), turns out to be a quadratic fermionic Hamiltonian

$$\hat{H}(J, h) = \sum_{j=1}^N -J_j (c_j^\dagger c_{j+1} - c_j c_{j+1}^\dagger) + c_j^\dagger c_{j+1}^\dagger - c_j c_{j+1} + \mu_j (c_j^\dagger c_j - c_j c_j^\dagger). \quad (11)$$

The general form of a quadratic fermionic Hamiltonian with real parameters is

$$H = \frac{1}{2} \sum_{mn} c_m^\dagger \mathcal{A}_{mn} c_n - c_m \mathcal{A}_{mn} c_n^\dagger + c_m^\dagger \mathcal{B}_{mn} c_n^\dagger - c_m \mathcal{B}_{mn} c_n, \quad (12)$$

where $\mathcal{A}_{mn} = \mathcal{A}_{nm}$, and $\mathcal{B}_{mn} = -\mathcal{B}_{nm}$. The Hamiltonian can be diagonalized as

$$H = \frac{1}{2} \sum_k \omega_k (\eta_k^\dagger \eta_k - \eta_k \eta_k^\dagger) = \sum_k \omega_k \eta_k^\dagger \eta_k - \frac{1}{2} \sum_k \omega_k. \quad (13)$$

The quasi-particle operators can be expressed as

$$\eta_k = \sum_l g_{kl} c_l + h_{kl} c_l^\dagger \quad (14)$$

with conditions of

$$\begin{aligned} \sum_l g_{kl} g_{k'l} + h_{kl} h_{k'l} &= \delta_{kk'}, \\ \sum_l g_{kl} h_{k'l} + h_{kl} g_{k'l} &= 0. \end{aligned} \quad (15)$$

Therefore, we can write the diagonalization process as a form of block matrix:

$$\begin{pmatrix} g & h \\ h & g \end{pmatrix} \begin{pmatrix} \mathcal{A} & \mathcal{B} \\ -\mathcal{B} & -\mathcal{A} \end{pmatrix} \begin{pmatrix} g^T & h^T \\ h^T & g^T \end{pmatrix} = \begin{pmatrix} \omega & 0 \\ 0 & -\omega \end{pmatrix} \quad (16)$$

and

$$\begin{pmatrix} c \\ c^\dagger \end{pmatrix} = \begin{pmatrix} g^T & h^T \\ h^T & g^T \end{pmatrix} \begin{pmatrix} \eta \\ \eta^\dagger \end{pmatrix}. \quad (17)$$

Here η , η^\dagger , c and c^\dagger are the shorthand notations of columns of fermion operators.

The correlation function is $\langle \Psi(t) | \mu_j^x \mu_l^x | \Psi(t) \rangle = \langle \Psi(t) | B_j A_{j+1} B_{j+1} \cdots A_{l-1} B_{l-1} A_l | \Psi(t) \rangle$, where

$$A_j = c_j^\dagger + c_j, \quad B_j = c_j^\dagger - c_j. \quad (18)$$

Here we assume $j < l$ without loss of generality. Applying the Wick's theorem, the correlation function above can be expressed as a Pfaffian [4], $|\langle \Psi_0 | \mu_j^x \mu_l^x | \Psi_0 \rangle| = |\text{pf } \Gamma(j, l, t)|$, where the antisymmetric matrix

$$\Gamma(j, l, t) = \begin{pmatrix} S(j, l, t) & G(j, l, t) \\ -G(j, l, t)^T & Q(j, l, t) \end{pmatrix}. \quad (19)$$

The dimension of each block is $l-j+1$. $S(j, l, t)$ and $Q(j, l, t)$ are purely imaginary and antisymmetric, while $G(j, l, t)$ is purely real. Explicitly, the elements of the matrix are two-point correlation functions:

$$\begin{aligned} S(j, l, t)_{mn} &= \delta_{mn} + \langle \Psi_0 | B_{j+m-1}(t) B_{j+n-1}(t) | \Psi_0 \rangle, \\ Q(j, l, t)_{mn} &= -\delta_{mn} + \langle \Psi_0 | A_{j+m}(t) A_{j+n}(t) | \Psi_0 \rangle, \\ G(j, l, t)_{mn} &= \langle \Psi_0 | B_{j+m-1}(t) A_{j+n}(t) | \Psi_0 \rangle. \end{aligned} \quad (20)$$

Here we use the properties of $\{A_j, A_l\} = 2\delta_{jl}$, $\{B_j, B_l\} = -2\delta_{jl}$, and $\{A_j, B_l\} = 0$. Finally, applying the relation between Pfaffian and determinant, we have

$$|\langle \Psi_0 | \mu_j^x(t) \mu_l^x(t) | \Psi_0 \rangle| = \sqrt{\det \Gamma(j, l, t)}. \quad (21)$$

The initial state $|\Psi_0^i\rangle$ is the vacuum state of H^i , namely, $\eta_k^i | \Psi_0^i \rangle = 0$ for every k . To calculate the two-point correlation function in Eq. (20), we need to express $A_l(t)$ and $B_l(t)$ by η^i and $\eta^{i\dagger}$:

$$\begin{aligned} A_l(t) &= \sum_k \tilde{\phi}_{lk}^*(t) \eta_k^{i\dagger} + \tilde{\phi}_{lk}(t) \eta_k^i, \\ B_l(t) &= \sum_k \tilde{\psi}_{lk}^*(t) \eta_k^{i\dagger} - \tilde{\psi}_{lk}(t) \eta_k^i. \end{aligned} \quad (22)$$

So we have

$$\begin{aligned} \langle \Psi_0^i | A_m(t) A_n(t) | \Psi_0^i \rangle &= \sum_k \tilde{\phi}_{mk}(t) \tilde{\phi}_{nk}^*(t) = (\tilde{\phi}(t) \tilde{\phi}^\dagger(t))_{mm}, \\ \langle \Psi_0^i | B_m(t) B_n(t) | \Psi_0^i \rangle &= -\sum_k \tilde{\psi}_{mk}(t) \tilde{\psi}_{nk}^*(t) = -(\tilde{\psi}(t) \tilde{\psi}^\dagger(t))_{mm}, \\ \langle \Psi_0^i | A_m(t) B_n(t) | \Psi_0^i \rangle &= \sum_k \tilde{\phi}_{mk}(t) \tilde{\psi}_{nk}^*(t) = (\tilde{\phi}(t) \tilde{\psi}^\dagger(t))_{mn}, \\ \langle \Psi_0^i | B_m(t) A_n(t) | \Psi_0^i \rangle &= -\sum_k \tilde{\psi}_{mk}(t) \tilde{\phi}_{nk}^*(t) = -(\tilde{\psi}(t) \tilde{\phi}^\dagger(t))_{mn}. \end{aligned}$$

The matrices $\tilde{\phi}(t)$ and $\tilde{\psi}(t)$ can be expressed in a closed form. To this end, we first consider the Heisenberg equation of the quasi-particle operator:

$$\frac{d}{dt} \eta_k^f(t) = i[H^f, \eta_k^f(t)] = -i\omega_f \eta_k^f(t). \quad (23)$$

The solution is

$$\begin{pmatrix} \eta^f(t) \\ \eta^{f\dagger}(t) \end{pmatrix} = \begin{pmatrix} e^{-it\omega_f} & 0 \\ 0 & e^{it\omega_f} \end{pmatrix} \begin{pmatrix} \eta^f \\ \eta^{f\dagger} \end{pmatrix}. \quad (24)$$

Combining Eq. (17, 18) in the Heisenberg picture, we get the linear transformation matrices in Eq. (22):

$$\begin{aligned} \tilde{\phi}(t) &= \phi_f^T \cos(\omega_f t) \phi_f \phi_i^T - i \phi_f^T \sin(\omega_f t) \psi_f \psi_i^T, \\ \tilde{\psi}(t) &= \psi_f^T \cos(\omega_f t) \psi_f \psi_i^T - i \psi_f^T \sin(\omega_f t) \phi_f \phi_i^T, \end{aligned} \quad (25)$$

where ϕ and ψ are the combinations of g and h in Eq. (14): $\phi = g + h$, $\psi = g - h$; and their subscripts i and f correspond to the Hamiltonian H^i and H^f . As a result, as long as H^i and H^f are numerically diagonalized, we can compute the correlation function $\langle \Psi(t) | \mu_j^x \mu_l^x | \Psi(t) \rangle$ within the numerical precision.

III. CALCULATION OF ENTANGLEMENT ENTROPY

The entanglement entropy is defined as $S_A(t) = -\text{tr}[\rho_A(t) \log_2 \rho_A(t)]$, where the subsystem consists of spins on the contiguous lattice sites $A = [1, 2, \dots, L]$. We introduce the Majorana fermions

$$d_{2l-1} = \left(\prod_{j=1}^{l-1} \mu_j^z \right) \mu_l^x, \quad d_{2l} = \left(\prod_{j=1}^{l-1} \mu_j^z \right) \mu_l^y. \quad (26)$$

Combining Eq. (10) and Eq. (18), we have

$$d_{2l-1} = c_l + c_l^\dagger = A_l, \quad d_{2l} = \frac{c_l - c_l^\dagger}{i} = iB_l. \quad (27)$$

The reduced density matrix can be expressed as

$$\rho_A(t) = 2^{-L} \sum_{\alpha_1, \alpha_2, \dots, \alpha_{2L} \in \{0,1\}} \langle \Psi(t) | d_1^{\alpha_1} d_2^{\alpha_2} \dots d_{2L}^{\alpha_{2L}} | \Psi(t) \rangle (d_1^{\alpha_1} d_2^{\alpha_2} \dots d_{2L}^{\alpha_{2L}})^\dagger.$$

Notice that the fermionic parity is conserved, so if $\sum_{j=1}^{2L} \alpha_j = 1 \pmod{2}$, then $\langle \Psi(t) | d_1^{\alpha_1} d_2^{\alpha_2} \dots d_{2L}^{\alpha_{2L}} | \Psi(t) \rangle = 0$. The none zero components can be evaluated by the Wick's theorem. It is clear that $\{d_j, j = 1, 2, \dots, 2L\}$ is a orthogonal basis which spans the space of the linear operators supported on L . We can also find another orthogonal basis

$$e_m = \sum_{l=1}^{2L} V_{ml} d_l, \quad V \in O(2L), \quad (28)$$

to expand the reduced density matrix $\rho_L(t)$ in a direct product form. To this end, we construct the correlation matrix

$$\langle \Psi(t) | d_m d_n | \Psi(t) \rangle = \delta_{mn} + i\Gamma(t)_{mn}, \quad (29)$$

where $m, n = 1, 2, \dots, 2L$ and

$$\begin{aligned} \Gamma(t)_{2l-1, 2s-1} &= -i \langle \Psi_0^i | A_l(t) A_s(t) | \Psi_0^i \rangle = -i (\tilde{\phi}(t) \tilde{\phi}^\dagger(t))_{ls}, \\ \Gamma(t)_{2l, 2s} &= i \langle \Psi_0^i | B_m(t) B_n(t) | \Psi_0^i \rangle = -i (\tilde{\psi}(t) \tilde{\psi}^\dagger(t))_{mn}, \\ \Gamma(t)_{2l-1, 2s} &= \langle \Psi_0^i | A_l(t) B_s(t) | \Psi_0^i \rangle = (\tilde{\phi}(t) \tilde{\psi}^\dagger(t))_{ls}, \\ \Gamma(t)_{2l, 2s-1} &= \langle \Psi_0^i | B_l(t) A_s(t) | \Psi_0^i \rangle = -(\tilde{\psi}(t) \tilde{\phi}^\dagger(t))_{ls}. \end{aligned}$$

Here, $\Gamma(t)$ is a real antisymmetric matrix so it can be block diagonalized by an orthogonal matrix as

$$V\Gamma(t)V^T = \bigoplus_{m=1}^L \nu_m(t) \begin{pmatrix} 0 & 1 \\ -1 & 0 \end{pmatrix}, \quad (30)$$

where V has appeared in Eq. (28). In the new basis, the reduced density matrix is

$$\begin{aligned} \rho_A(t) &= \prod_{m=1}^L \frac{1}{2} (\langle \Psi(t) | e_{2m-1} e_{2m} | \Psi(t) \rangle e_{2m} e_{2m-1} + 1) \\ &= \prod_{m=1}^L \frac{1}{2} (i\nu_m e_{2m} e_{2m-1} + 1) \\ &= \prod_{m=1}^L \left(\frac{1 - \nu_m}{2} b_m^\dagger b_m + \frac{1 + \nu_m}{2} b_m b_m^\dagger \right), \quad (31) \end{aligned}$$

where the Dirac fermion operators $b_m = \frac{1}{2}(e_{2m-1} + ie_{2m})$ and $b_m^\dagger = \frac{1}{2}(e_{2m-1} - ie_{2m})$ are introduced. we express the Von Neumann entropy as the sum of binary entropies of L uncorrelated modes [1, 5],

$$S(\rho_A(t)) = \sum_{m=1}^L H_b \left(\frac{1 - \nu_m}{2} \right), \quad (32)$$

where

$$H_b(x) \equiv -x \log_2 x - (1-x) \log_2 (1-x), \quad (33)$$

with $0 \leq x \leq 1$, is the binary entropy.

[1] J. I. Latorre, E. Rico, and G. Vidal, *Ground state entanglement in quantum spin chains*, *Quant. Inf. Comput.* **4**, 48 (2004).
 [2] B. -Q. Jin and V. E. Korepin, *Quantum spin chain, Toeplitz determinants and the Fisher-Hartwig conjecture*, *J. Stat. Phys.* **116**, 79 (2004).
 [3] Y. Zeng, A. Hamma, and H. Fan, *Thermalization of topological entropy after a quantum quench*, *Phys. Rev. B* **94**, 125104 (2016).

[4] E. Barouch and B. M. McCoy, *Statistical Mechanics of the XY Model. II. Spin-Correlation Functions*, *Phys. Rev. A* **3**, 786 (1971).
 [5] G. Vidal, J. I. Latorre, E. Rico, and A. Kitaev, *Entanglement in Quantum Critical Phenomena*, *Phys. Rev. Lett.* **90**, 227902 (2003).