

Quantum mean centering for block-encoding-based quantum algorithm

Hai-Ling Liu^{1,2}, Chao-Hua Yu³, Lin-Chun Wan⁴, Su-Juan Qin^{1,*}, Fei Gao^{1,†} and Qiao-Yan Wen¹

¹ State Key Laboratory of Networking and Switching Technology,

Beijing University of Posts and Telecommunications, Beijing 100876, China

² State Key Laboratory of Cryptology, P.O. Box 5159, Beijing, 100878, China

³ School of Information Management, Jiangxi University of Finance and Economics, Nanchang 330032, China and

⁴ School of Computer and Information Science, Southwest University, Chongqing 400715, China

(Dated: August 17, 2022)

Mean Centering (MC) is an important data preprocessing technique, which has a wide range of applications in data mining, machine learning, and multivariate statistical analysis. When the data set is large, this process will be time-consuming. In this paper, we propose an efficient quantum MC algorithm based on the block-encoding technique, which enables the existing quantum algorithms can get rid of the assumption that the original data set has been classically mean-centered. Specifically, we first adopt the strategy that MC can be achieved by multiplying by the centering matrix C , i.e., removing the row means, column means and row-column means of the original data matrix X can be expressed as XC , CX and CXC , respectively. This allows many classical problems involving MC, such as Principal Component Analysis (PCA), to directly solve the matrix algebra problems related to XC , CX or CXC . Next, we can employ the block-encoding technique to realize MC. To achieve it, we first show how to construct the block-encoding of the centering matrix C , and then further obtain the block-encodings of XC , CX and CXC . Finally, we describe one by one how to apply our MC algorithm to PCA and other algorithms.

I. INTRODUCTION

Quantum computing surpasses classical computing by taking advantage of the unique properties of superposition and entanglement in quantum mechanics, providing polynomial and even exponential speedups for specific problems, such as factoring integers [1], unstructured database searching [2], Hamiltonian simulation [3–6], linear algebra [7–9], the subset sum problem [10], regression [11–13], classification [14–16], clustering [17], correlation filter [18]. Since its inception, quantum computing has become a booming research field. An introduction to more quantum algorithms can be seen in Refs. [19, 20].

Mean Centering (MC) (also called zero centered or mean subtraction) [21, 22] is the act of subtracting a variable's mean from all observations on that variable in the data set such that the variable's new mean is zero. It is an important data preprocessing technique, which has a wide range of applications in data mining, machine learning, and multivariate statistical analysis. For example, in Principal Component Analysis (PCA), to better describe the direction of the principal components [21, 23], it is necessary to perform eigen-decomposition on the mean-centered covariance matrix.

Driven by the progress in quantum computing, some quantum algorithms with significant acceleration compared with classical counterparts have been proposed to solve the classical problems involving MC, such as the well-known quantum PCA [24], quantum Linear Discriminant Analysis (LDA) [25]. However, these quantum algorithms assume that the original data set has been clas-

sically mean-centered. In fact, MC is not a simple process, and its complexity is $O(n^2)$, where n comes from the size of the original data matrix $X \in \mathbb{R}^{n \times n}$. When the data set is large, this process will still be time-consuming. Therefore, it is meaningful to design an efficient quantum MC algorithm and study its application in PCA, LDA and other algorithms.

In Ref. [26], Li et al. adopted quantum inner product estimation algorithm [27] and quantum multiply-adder [28] to realize the MC process of the original data set and successfully applied it to Discriminative Canonical Correlation Analysis (DCCA) [29]. However, when Li et al.'s algorithm is applied to the classical problems involving MC, such as PCA, DCCA, these quantum algorithm relies on a strong assumption that at least half of the entries in the mean-centered data matrix have an absolute value greater than m_0 , where $m_0 > 0$ is a constant. This limits the scope of application of the algorithm. In addition, Li et al.'s algorithm perform the quantum inner product estimation algorithm [27] to compute the mean value of the original data set, which makes the quantum algorithm highly dependent on the inverse of the error ϵ . For example, the dependence of quantum DCCA [26] is $1/\epsilon^3$. Therefore, an efficient quantum MC algorithm that does not require the above strong assumption and is more suitable for algorithms such as PCA, DCCA needs to be designed.

In this work, we propose an efficient quantum MC algorithm, which can get rid of the above strong assumption, and we successfully applied it to PCA, LDA, Canonical Correlation Analysis (CCA) [36], DCCA, Ordinary Least Squares (OLS) [37], etc. Specifically, we first adopt the strategy that the MC process of the original data can be achieved by multiplying by the centering matrix C [31, 32], that is, removing the row means, col-

* qsujuan@bupt.edu.cn

† gaof@bupt.edu.cn

umn means and row-column means of the original data matrix X can be expressed as XC , CX and CXC , respectively. This allows many classical problems involving MC, such as PCA, LDA, to directly solve the matrix algebra problems related to XC , CX or CXC . Next, we can employ the block-encoding technique [6, 33, 34] which has been successfully applied in quantum regression [34], quantum classification [35] and other algorithms to realize MC. The core of our entire algorithm is to construct the block-encoding of the mean-centered data matrix. To achieve it, we first show how to construct the block-encoding of C , and then further obtain the block-encodings of XC , CX and CXC respectively. Finally, we describe one by one how to apply our quantum MC algorithm to PCA, LDA, and other algorithms. It is worth noting that our algorithm obtains the block encoding of the mean-centered data matrix, which makes our algorithm more suitable for algorithms involving matrix algebra problems, such as multidimensional scaling [38], kernel machine learning [32, 39], and extreme learning machine [40].

The remainder of the paper is organized as follows. In Sec. II, we give a brief overview of the process of mean centering on the original data. In Sec. III, we propose a quantum mean centering algorithm based on the block-encoding technique. In Sec. IV, we present some applications of our quantum algorithm, such as PCA, LDA. Finally, we present our conclusion in Sec. V.

II. REVIEW OF MEAN CENTERING

Given an original data matrix $X = (\mathbf{x}_1, \mathbf{x}_2, \dots, \mathbf{x}_n) \in \mathbb{R}^{n \times n}$, it is shown as follows:

$$X = \begin{bmatrix} x_{11} & x_{21} & \cdots & x_{n1} \\ x_{12} & x_{22} & \cdots & x_{n2} \\ \vdots & \vdots & \ddots & \vdots \\ x_{1n} & x_{2n} & \cdots & x_{nn} \end{bmatrix}, \quad (1)$$

then we can obtain the column means of X :

$$\mathbf{u} = \left(\frac{x_{11} + \cdots + x_{1n}}{n}, \dots, \frac{x_{n1} + \cdots + x_{nn}}{n} \right)^T \quad (2)$$

$$\equiv (\bar{x}_{1\bullet}, \dots, \bar{x}_{n\bullet})^T \in \mathbb{R}^n,$$

and the row means of X :

$$\mathbf{v} = \left(\frac{x_{11} + \cdots + x_{n1}}{n}, \dots, \frac{x_{1n} + \cdots + x_{nn}}{n} \right)^T \quad (3)$$

$$\equiv (\bar{x}_{\bullet 1}, \dots, \bar{x}_{\bullet n})^T \in \mathbb{R}^n.$$

Next, we can perform MC on X to remove the column means, row means, and row-column means of X , respectively. The specific form can be expressed as follows:

- (1) Remove the column means of X : $x_{ij} - \bar{x}_{i\bullet}$;
- (2) Remove the row means of X : $x_{ij} - \bar{x}_{\bullet j}$;

(3) Remove the row-column means of X : $x_{ij} - \bar{x}_{i\bullet} - \bar{x}_{\bullet j} + \bar{x}$, where $\bar{x} = (x_{11} + \cdots + x_{1n} + \cdots + x_{n1} + \cdots + x_{nn})/n^2$ is the mean of all the entries of X , $i, j = 1, \dots, n$.

To simplify the MC process of X , scholars have found that it is achieved by projecting a matrix onto the column space orthogonal to the unit vector. Interestingly, this can be done by multiplying by the centering matrix $C \in \mathbb{R}^{n \times n}$ [31, 32], which is defined as follows:

$$C = \begin{bmatrix} 1 - \frac{1}{n} & -\frac{1}{n} & -\frac{1}{n} & \cdots & -\frac{1}{n} \\ -\frac{1}{n} & 1 - \frac{1}{n} & -\frac{1}{n} & \cdots & -\frac{1}{n} \\ \vdots & \vdots & \vdots & \ddots & \vdots \\ -\frac{1}{n} & -\frac{1}{n} & -\frac{1}{n} & \cdots & 1 - \frac{1}{n} \end{bmatrix} = I - \frac{1}{n} \mathbf{e} \cdot \mathbf{e}^T, \quad (4)$$

where $\mathbf{e} = (1, 1, \dots, 1)^T \in \mathbb{R}^n$. It is worth noting that C has many important properties, which can be seen in Refs. [31, 32].

When X is pre-multiplied by C , the column means of X can be removed:

$$CX = \begin{bmatrix} x_{11} - \bar{x}_{1\bullet} & x_{21} - \bar{x}_{1\bullet} & \cdots & x_{n1} - \bar{x}_{1\bullet} \\ x_{12} - \bar{x}_{1\bullet} & x_{22} - \bar{x}_{1\bullet} & \cdots & x_{n2} - \bar{x}_{1\bullet} \\ \vdots & \vdots & \ddots & \vdots \\ x_{1n} - \bar{x}_{1\bullet} & x_{2n} - \bar{x}_{1\bullet} & \cdots & x_{nn} - \bar{x}_{1\bullet} \end{bmatrix}. \quad (5)$$

When X is post-multiplied by C , the row means of X can be removed:

$$XC = \begin{bmatrix} x_{11} - \bar{x}_{\bullet 1} & x_{21} - \bar{x}_{\bullet 1} & \cdots & x_{n1} - \bar{x}_{\bullet 1} \\ x_{12} - \bar{x}_{\bullet 2} & x_{22} - \bar{x}_{\bullet 2} & \cdots & x_{n2} - \bar{x}_{\bullet 2} \\ \vdots & \vdots & \ddots & \vdots \\ x_{1n} - \bar{x}_{\bullet n} & x_{2n} - \bar{x}_{\bullet n} & \cdots & x_{nn} - \bar{x}_{\bullet n} \end{bmatrix}. \quad (6)$$

When X are both pre-multiplied by C and post-multiplied by C , the row-column means of X can be removed:

$$CXC = \begin{bmatrix} x_{11} - \bar{x}_{1\bullet} - \bar{x}_{\bullet 1} + \bar{x} & \cdots & x_{n1} - \bar{x}_{n\bullet} - \bar{x}_{\bullet 1} + \bar{x} \\ x_{12} - \bar{x}_{1\bullet} - \bar{x}_{\bullet 2} + \bar{x} & \cdots & x_{n2} - \bar{x}_{n\bullet} - \bar{x}_{\bullet 2} + \bar{x} \\ \vdots & \ddots & \vdots \\ x_{1n} - \bar{x}_{1\bullet} - \bar{x}_{\bullet n} + \bar{x} & \cdots & x_{nn} - \bar{x}_{n\bullet} - \bar{x}_{\bullet n} + \bar{x} \end{bmatrix}. \quad (7)$$

The complexity of the MC process of X is $O(n^2)$. This can be time-consuming when the original data set is large. And many classical algorithms, such as PCA, LDA, are related to the matrix algebra problems of XC , CX or CXC . Therefore, it is meaningful to design an efficient algorithm to realize MC.

III. A QUANTUM MEAN CENTERING ALGORITHM BASED ON BLOCK-ENCODING

In this section, we design an efficient quantum MC algorithm based on the block-encoding technique. The

key point of this algorithm is to construct the block-encodings of XC , CX and XCX , respectively. To achieve it, we first construct the block-encodings of C and X respectively, and further obtain the block-encodings of XC , CX and XCX , respectively.

A. Review of the block-encoding technique

In this section, we review the block-encoding technique which can be found in Refs. [6, 33, 34] for details.

Definition 1 (Block-encoding [6]) Assume that A is an s -qubits operator, $\alpha, \epsilon_A \in \mathbb{R}^+$, and $a \in \mathbb{N}$, then we say that the $(s+a)$ -qubits unitary U is an (α, a, ϵ_A) block-encoding of A if it satisfies

$$\|A - \alpha(\langle 0|^{\otimes a} \otimes I)U(|0\rangle^{\otimes a} \otimes I)\| \leq \epsilon_A. \quad (8)$$

Note that (1) when $A \in \mathbb{C}^{m \times n}$ where $n, m \leq 2^s$, we can construct an embedding matrix $A_e = \begin{bmatrix} A & 0 \\ 0 & 0 \end{bmatrix} \in \mathbb{C}^{2^s \times 2^s}$; (2) a unitary matrix is a $(1, 0, 0)$ -block-encoding of itself, which we call a trivial block-encoding.

Subsequently, András Gilyén et al. [33] showed how to implement the block-encoding of a linear combination of block-encoded operators and the product of block-encoded matrices respectively, as shown below:

Definition 2 (State preparation pair [33]) Let $\mathbf{y} \in \mathbb{C}^m$ and $\|\mathbf{y}\|_1 \leq \beta$. The pair of unitaries (P_L, P_R) is called an (β, b, ϵ_y) -state-preparation-pair if $P_L|0\rangle^{\otimes b} = \sum_{j=1}^{2^b} c_j|j\rangle$ and $P_R|0\rangle^{\otimes b} = \sum_{j=1}^{2^b} d_j|j\rangle$ such that $|\sum_{j=1}^m |\beta(c_j^* d_j - y_j)| \leq \epsilon_y$ and for all $j \in m+1, \dots, 2^b$, we have $c_j^* d_j = 0$.

Lemma 1 (Linear combination of block-encoded matrices [33]) Let $A = \sum_{j=1}^m y_j A_j$ be an s -qubits operator and $\epsilon_A \in \mathbb{R}^+$. Assume that (P_L, P_R) is an (β, b, ϵ_y) -state-preparation-pair for $\mathbf{y} \in \mathbb{C}^m$, $W = \sum_{j=1}^m |j\rangle\langle j| \otimes U_j + ((I - \sum_{j=1}^m |j\rangle\langle j|) \otimes I_a \otimes I_s)$ is an $(s+a+b)$ -qubits unitary such that for all $j = 1, \dots, m$, we have that U_j is an (α, a, ϵ_A) -block-encoding of A_j . Then we can implement a $(\alpha\beta, a+b, \alpha\epsilon_y + \alpha\beta\epsilon_A)$ -block-encoding of A , with a single use of W, P_R , and P_L^\dagger .

Lemma 2 (Product of block-encoded matrices [33]) If U is an $(\alpha; a; \delta)$ -block-encoding of an s -qubit operator A that can be implemented in time T_1 , and V is an $(\beta; b; \epsilon)$ -block-encoding of an s -qubit operator B that can be implemented in time T_2 , then $(I_b \otimes U)(I_a \otimes V)$ is an $(\alpha\beta; a+b; \alpha\epsilon + \beta\delta)$ -block-encoding of AB that can be implemented in time $O(T_1 + T_2)$.

More information about the block-encoding technique can be found in Refs. [6, 33, 34, 41]. This technique has been successfully applied to many algorithms, such as quantum linear system [6, 42], quantum regression [34], quantum classification [35]. In the following sections, we will introduce how to use the block-encoding technique to design quantum MC algorithm. For convenience, we define the base of the logarithm function as 2, which can be abbreviated as $\log x$.

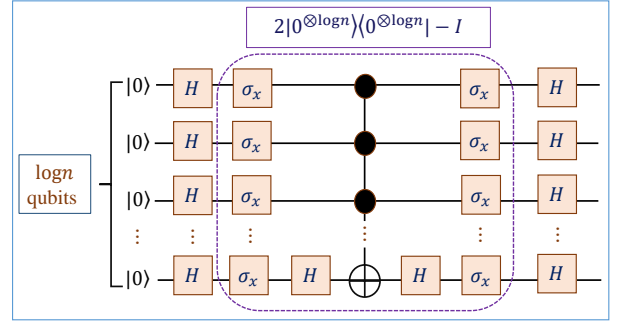


FIG. 1. Quantum circuit for the unitary operator U_c . Here, H and σ_x denote Hadamard gate and Pauli operator σ_x , respectively.

B. A quantum mean centering algorithm based on the block-encoding technique

The core of the whole quantum algorithm is to construct the block-encodings of XC , CX and XCX , respectively. To achieve it, we first construct the block-encodings of C and X respectively.

We find that C can be express as

$$\begin{aligned} C &= \frac{1}{2} (I - H^{\otimes \log n} (2|0\rangle^{\otimes \log n} \langle 0|^{\otimes \log n} - I) H^{\otimes \log n}) \\ &\equiv \frac{1}{2} (I - U_c), \end{aligned} \quad (9)$$

where H is the Hadamard gate and $2|0\rangle^{\otimes \log n} \langle 0|^{\otimes \log n} - I$ is the conditional phase shift operator, which can be implemented using $O(\log n)$ quantum basic gates [43]. The quantum circuit of U_c is shown in Fig. 1.

According to the definition of block-encoding, we can know that the unitary matrices I and U_c are an $(1, 0, 0)$ -block-encoding of their own, which can be implemented with complexity $O(\log n)$. Thus, C can be regarded as a linear combination of block-encoded operators.

Based on **Definition 2**, let $\mathbf{y}_c = (\frac{1}{2}, -\frac{1}{2}) \in \mathbb{R}^2$ and $\|\mathbf{y}_c\|_1 = \beta_c = 1$. And let $b_c = 1, c_j = d_j = \sqrt{y_{c_j}}, j = 1, 2$, we have $P_L = P_R = SH$, i.e., $SH|0\rangle = \frac{1}{\sqrt{2}}(|0\rangle + i|1\rangle)$, where S is a phase gate. Therefore, we can effectively construct an $(1, 1, 0)$ -state-preparation-pair (P_L, P_R) of \mathbf{y}_c that satisfies the requirements of **Definition 2**. According to **Lemma 1**, we can construct an $(1, 1, 0)$ -block-encoding of C with complexity $O(\log n)$.

For the block-encoding of X , here we use the following lemma to achieve:

Lemma 3 (Implementing block-encoding from quantum data structure [6, 34]) If the data matrix $X \in \mathbb{R}^{n \times n}$ is stored in a quantum random access memory data structure [44], then there exist two unitary operators $U_{\mathcal{M}}$ and $U_{\mathcal{N}}$ that can be implemented in time $O(\text{poly} \log(n/\epsilon))$ such that $U_{\mathcal{M}}^\dagger U_{\mathcal{N}}$ is an $(\|X\|_F, \text{poly} \log n, \epsilon)$ -block-

encoding of X , where

$$\begin{aligned} U_{\mathcal{M}} : |i\rangle|0\rangle &\mapsto |i\rangle|\mathbf{x}_i\rangle = |i\rangle \frac{1}{\|\mathbf{x}_i\|} \sum_{j=1}^n x_{ij}|j\rangle, \\ U_{\mathcal{N}} : |0\rangle|j\rangle &\mapsto \frac{1}{\|X\|_F} \sum_{i=1}^n \|\mathbf{x}_i\| |i\rangle|j\rangle. \end{aligned} \quad (10)$$

Note that if $X \in \mathbb{C}^{n \times m}$ is also stored in the above data structure, then the unitary operator $U_{\mathcal{M}}^\dagger U_{\mathcal{N}}$ is also an $(\|X\|_F, \lceil \log(m+n) \rceil, \epsilon)$ -block-encoding of an extended Hermitian matrix $\tilde{X} = X \otimes |0\rangle\langle 1| + X^\dagger \otimes |1\rangle\langle 0|$, which can be implemented in time $O(\text{poly log}(nm/\epsilon))$. A more detailed proof can be seen in **Lemma 23** of Ref. [34]. In addition, if X satisfies some specific conditions, such as X is a sparse matrix or a purified density operator, we can also obtain the block-encoding of X [6, 33].

According to the product of block-encoded matrices in **Lemma 2**, we can get an $(\|X\|_F, \text{poly log } n, \epsilon)$ -block-encodings of XC , CX , CXC with complexity $O(\text{poly log}(n/\epsilon))$, respectively.

Based on Refs. [6, 33, 34], we can solve the matrix algebra problems related to XC , CX or CXC , such as matrix vector multiplication, and singular value estimation. Next, we will introduce the wide application of our quantum algorithm in PCA, LDA, and other algorithms.

IV. APPLICATIONS OF OUR QUANTUM MEAN CENTERING ALGORITHMS

The classical problems involving MC, such as PCA, LDA, CCA, DCCA and OLS, can be directly attributed to the matrix algebra problems related to XC , CX or CXC . To solve matrix algebra problems efficiently, scholars have proposed a class of faster quantum algorithms based on the block-encoding framework [6, 33, 34]. The core of this quantum algorithm is to construct the block-encoding of a specific matrix. Next, we will introduce one by one how to use our quantum MC algorithm to construct the block-encoding of matrices in PCA, LDA, CCA, DCCA and OLS.

A. PCA

PCA is the most common method for data dimension reduction, which can obtain low-dimensional data while maintaining the dispersion degree (variance) of original data as much as possible [23]. To better describe the direction of the principal components [21, 23], PCA performs eigendecomposition on the mean-centered covariance matrix to capture effective low-dimensional data. The existing quantum PCA algorithm [24] assumes that X has been classically mean-centered. Here, we start from X to design a quantum PCA algorithm to avoid the above strong assumption. The optimization problem

in PCA is expressed as:

$$\max_{U_p} \text{Tr}(U_p^T S_t U_p), \text{ s.t.}, U_p^T U_p = I, \quad (11)$$

where

$$S_t = \sum_{i=1}^n (\mathbf{x}_i - \mathbf{v})(\mathbf{x}_i - \mathbf{v})^T = XCX^T \in \mathbb{R}^{n \times n} \quad (12)$$

is the total scatter matrix (or called the mean-centered covariance matrix), \mathbf{v} is the row mean of the total data points, and $U_p = [\mathbf{u}_1, \dots, \mathbf{u}_d] \in \mathbb{R}^{n \times d}$ ($1 < d \ll n$) is the projection matrix whose columns $\{\mathbf{u}_j\}_{j=1}^d$ are the principal component directions of PCA.

The above optimization problem of PCA can be reduced to solve the eigenproblem for S_t . Then the eigenvectors corresponding to the first $1 < d \ll n$ eigenvalues of S_t are the principal component directions of PCA.

According to **Lemma 2**, we can obtain a unitary operator Q is an $(\|X\|_F^2, \text{poly log } n, 2\epsilon\|X\|_F)$ -block-encoding of S_t that can be implemented in time $O(\text{poly log}(n/\epsilon))$. Then we can employ the optimal Hamiltonian simulation technique based on the block-encoding framework [6, 33, 34] and quantum phase estimation algorithm [43] to extract the eigeninformation of S_t , which takes $O(\lceil d\|X\|_F^2 \text{poly log}(n/\epsilon) \rceil / \epsilon)$ time complexity. Here, for convenience, let the error caused by using the phase estimation algorithm to estimate the eigenvalue is the same as the error caused by constructing the block-encoding of X , both of which are ϵ .

B. LDA

LDA is a data dimensionality reduction algorithm involving data categories [45]. LDA has been shown to be more effective than PCA in dealing with classification problems, i.e., classification with reduced dimensionality data [46, 47]. The goal of LDA is to seek the optimal directions of projection on which the data points of different classes are far from each other while requiring data points of the same class to be close to each other. To achieve the above goal, the optimization problem in LDA can be expressed as follows:

$$\max_{U_l} \text{Tr}(U_l^T S_b U_l), \text{ s.t.}, U_l^T S_w U_l = I, \quad (13)$$

where

$$S_b = \sum_{k=1}^c n_k (\mathbf{v}_k - \mathbf{v})(\mathbf{v}_k - \mathbf{v})^T \in \mathbb{R}^{n \times n} \quad (14)$$

is the between-class scatter matrix,

$$S_w = \sum_{k=1}^c \sum_{i=1}^{n_k} (\mathbf{x}_i^k - \mathbf{v}_k)(\mathbf{x}_i^k - \mathbf{v}_k)^T \in \mathbb{R}^{n \times n} \quad (15)$$

is the within-class scatter matrix, where n_k is the number of data points of the k th class, and $n = \sum_{k=1}^c n_k$ is the

total number of data points, \mathbf{v}_k is the row mean of the data points of the k th class, \mathbf{v} is the row mean of the total data points, \mathbf{x}_i^k is the i th data point of the k th class, $k = 1, \dots, c$, $i = 1, \dots, n$, and $U_l = [\tilde{\mu}_1, \dots, \tilde{\mu}_d] \in \mathbb{R}^{n \times d}$ ($1 < d \ll n$) is the projection matrix whose columns $\{\tilde{\mu}_j\}_{j=1}^d$ are the optimal projection directions of LDA.

In particular, S_t can be considered as the summation of S_b and S_w , i.e., $S_t = S_b + S_w$ [48], therefore the optimization problem in Eq. (13) can be written as

$$\max_{U_l} \text{Tr}(U_l^T S_t U_l), \text{ s.t.}, U_l^T S_w U_l = I. \quad (16)$$

Hence, the optimal projection direction of LDA can be obtained by solving the generalized eigenvalue problem $(S_t; S_w)$. Here, we adopt a quantum algorithm based on the block-encoding technology to solve the generalized eigenvalue problem of $(S_t; S_w)$, as follows:

Theorem 1 (Solve the generalized eigenvalue problem of $(A; B)$ based on the block-encoding technology [49]) Assume that A, B are n -by- n Hermitian matrices with B positive definite. Let U_A be an $(\alpha_A; q_A; \epsilon_A)$ -block-encoding of A that is implemented in time $O(T_A)$, and U_B an $(\alpha_B; q_B; \epsilon_B)$ -block-encoding of B that is implemented in time $O(T_B)$. Denote κ_B as the condition number of B , the generalized eigen-pairs of $Ax = \lambda Bx$ as $\{(\lambda_j, |E_j\rangle) | j = 1, \dots, n\}$. Given access to copies of the state $\sum_j \beta_j |E_j\rangle$ that is prepared in time $O(T_{in})$, there is a quantum algorithm that returns a state proportional to $\sum_j \beta_j |\tilde{\lambda}_j\rangle |E_j\rangle$, where $|\tilde{\lambda}_j - \lambda_j| \leq \epsilon$, in time

$$O\left(\kappa_B^{0.5} T_{in} + \frac{\alpha_A \kappa_B^{1.5}}{\|B\| \epsilon} (T_A + \frac{\alpha_B \kappa_B}{\|B\|})\right). \quad (17)$$

A detailed proof of this theorem can be seen in Ref. [49]. Note that when A and B are non-Hermitian matrices, we can extend them to Hermitian matrices $\tilde{A} = A \otimes |0\rangle\langle 1| + A^\dagger \otimes |1\rangle\langle 0|$ and $\tilde{B} = B \otimes |0\rangle\langle 1| + B^\dagger \otimes |1\rangle\langle 0|$ respectively and when B is non-positive definite, we get its pseudo-inverse. Therefore, the above theorem can be extended to the case where A and B are not Hermitian matrices with B not positive definite.

The key to solving the generalized eigenvalue problem of $(S_t; S_w)$ by using **Theorem 1** is to construct the block-encodings of S_t and S_w , respectively. As far as we know, we have obtained the block-encoding of S_t . Next we will construct the block-encoding of S_w .

We find that S_w can also be expressed as

$$S_w = \sum_{k=1}^c [X^{(k)} C^{(k)} (X^{(k)})^T], \quad (18)$$

where $X^{(k)} = (\mathbf{x}_k^{(1)}, \dots, \mathbf{x}_k^{(n_k)})$ is the original data sub-matrix corresponding to each class, $C^{(k)} = I_{n_k \times n_k} - \frac{1}{n_k} \mathbf{e}_{n_k} \mathbf{e}_{n_k}^T \in \mathbb{R}^{n_k \times n_k}$ is the centering matrix corresponding to each class, $k = 1, 2, \dots, c$. Thus S_w can be viewed as a linear combination of block-encoded operators.

Let $\mathbf{y}_w = (1, \dots, 1) \in \mathbb{R}^c$ and $\|\mathbf{y}_w\|_1 = \beta_w = c$. Let $b_c = \log c$, $c_j = d_j = 1$, $j = 1, \dots, c$, we have $P_L = P_R = H^{\otimes \log c}$, i.e., $H^{\otimes \log c} |0^{\otimes \log c}\rangle = \frac{1}{\sqrt{c}} \sum_{j=1}^c |j\rangle$. Therefore, we can effectively construct an $(c, \log c, 0)$ -state-preparation-pair (P_L, P_R) of \mathbf{y}_w that satisfies the requirements of **Definition 2**. According to **Lemma 1**, we can construct an $(cf, \text{poly log}(c\tilde{n}), 2c\epsilon f)$ -block-encoding of S_w with complexity $O(\text{poly log}(c\tilde{n}/\epsilon))$, where $f = \max_k (\|X^{(k)}\|_F^2)$ and $\tilde{n} = \max_k (n_k)$.

In short, we can solve the generalized eigenvalue problem $(S_t; S_w)$. Compared with quantum LDA [25], our quantum algorithm does not require a strong assumption that the elements and the norms of the column vector of S_b and S_w can be accessed efficiently, respectively.

C. CCA

PCA and LDA are dimensionality reduction techniques for one set of variable data, while CCA is one of the unsupervised feature extraction techniques widely used in data pairs of two groups of variables, aiming at finding the optimal projection vectors pair to maximize the correlation between the two groups of variables [36]. Finding the optimal projection vectors pair in CCA can be transformed into solving the following generalized eigenvalue problem $(H_x; H_y)$:

$$\begin{aligned} & \begin{bmatrix} & XCY^T \\ (XCY^T)^T & \end{bmatrix} \begin{bmatrix} \mathbf{w}_x \\ \mathbf{w}_y \end{bmatrix} \\ &= \lambda \begin{bmatrix} XCX^T & \\ & YCY^T \end{bmatrix} \begin{bmatrix} \mathbf{w}_x \\ \mathbf{w}_y \end{bmatrix} \\ &\equiv H_x \mathbf{w} = \lambda H_y \mathbf{w}, \end{aligned} \quad (19)$$

where $X \in \mathbb{R}^{n \times n}$ and $Y \in \mathbb{R}^{n \times n}$ are the original data matrices, $C \in \mathbb{R}^{n \times n}$ is the centering matrix, $\mathbf{w} = (\mathbf{w}_x, \mathbf{w}_y)^T \in \mathbb{R}^{2n}$ is the projection vectors pair.

According to **Theorem 1**, the core of solving the generalized eigenvalue problem $(H_x; H_y)$ is still to construct the block-encodings of H_x and H_y respectively.

For the block-encoding of H_x , we can first construct an $(\|X\|_F \|Y\|_F, \text{poly log } n, \epsilon(\|X\|_F + \|Y\|_F))$ -block-encoding of XCY^T with complexity $O(\text{poly log}(n/\epsilon))$, which is similar to S_t , where ϵ is generated by building the block-encodings of X and Y . Then, according to **Proposition 10** of Ref. [41], we also can obtain an $(\|X\|_F \|Y\|_F, \text{poly log } n, 2\epsilon(\|X\|_F + \|Y\|_F))$ -block-encoding of H_x with complexity $O(\text{poly log}(n/\epsilon))$ [41].

For the block-encoding of H_y , we also obtain the unitary operator P that is an $(\|Y\|_F^2, \text{poly log } n, 2\epsilon\|Y\|_F)$ -block-encoding of YCY^T , which requires time complexity $O(\text{poly log}(n/\epsilon))$. Furthermore, we can also generate the unitary operator $|0\rangle\langle 0| \otimes Q + |1\rangle\langle 1| \otimes P$ which is an $(\max\{\|X\|_F^2, \|Y\|_F^2\}, \text{poly log } n, 2\epsilon \min\{\|X\|_F, \|Y\|_F\})$ -block-encoding of H_y , where Q is the block-encoding of $S_t = XCX^T$ and it takes $O(\text{poly log}(n/\epsilon))$ time complexity.

In a word, we can also design a quantum algorithm to solve CCA.

D. DCCA

Although CCA can represent the information of two sets of variable data pairs to maximize the correlation between them, it ignores the difference between categories, which results in constraints on the performance of the algorithm. To solve the above problem, in 2008, Sun et al. proposed DCCA [29], aiming at finding the optimal projection vector pair to maximize the within-class correlations and minimize the between-class correlations by using the discriminant information of data points. Finding the optimal projection vector pair in DCCA can be transformed into solving the following generalized eigenvalue problems ($H_d; H_y$):

$$\begin{aligned} & \left[\begin{array}{c} XCECY^T \\ (XCECY^T)^T \end{array} \right] \left[\begin{array}{c} \mathbf{v}_x \\ \mathbf{v}_y \end{array} \right] \\ &= \lambda \left[\begin{array}{c} XCX^T \\ YCY^T \end{array} \right] \left[\begin{array}{c} \mathbf{v}_x \\ \mathbf{v}_y \end{array} \right] \quad (20) \\ &\equiv H_d \mathbf{v} = \lambda H_y \mathbf{v}, \end{aligned}$$

where $X \in \mathbb{R}^{n \times n}$ and $Y \in \mathbb{R}^{n \times n}$ are the original data matrices, $C \in \mathbb{R}^{n \times n}$ is the centering matrix, $E = \text{diag}(\mathbf{e}_{n_1} \mathbf{e}_{n_1}^T, \dots, \mathbf{e}_{n_c} \mathbf{e}_{n_c}^T) \in \mathbb{R}^{n \times n}$ is the similarity matrix where $\mathbf{e}_{n_k} = (1, 1, \dots, 1)^T \in \mathbb{R}^{n_k}$, n_k is the number of data points of the k th class, and $n = \sum_{k=1}^c n_k$ is the total number of data points, and $\mathbf{v} = (\mathbf{v}_x, \mathbf{v}_y)^T \in \mathbb{R}^{2n}$ is the pairwise projection vectors of DCCA.

Similarly, the core of solving the generalized eigenvalue problem ($H_d; H_y$) is still to construct the block-encodings of H_d and H_y respectively. As far as we know, the block-encoding of H_y has been constructed. Next, we will show how to construct the block-encoding of H_d .

According to the form of H_d and **Proposition 10** of Ref. [41], we only need to construct the block-encoding of $XCECY^T$, and it can be regarded as the product of block-encoded operators. We have constructed the block-encodings of X , C , and Y , and then we will construct the block-encoding of E .

Since E is a block diagonal matrix, we will construct the block-encodings of each diagonal block matrix $\mathbf{e}_{n_k} \mathbf{e}_{n_k}^T$, $k = 1, \dots, c$. It is worth noting that $\mathbf{e}_{n_k} \mathbf{e}_{n_k}^T = \sum_{j=1}^{n_k} V_j$, where the unitary operator $V_j = \sum_{k=1}^{n_k} |(k-j) \bmod n_k\rangle\langle k|$ is a $(1, 0, 0)$ -block-encoding of itself, and the complexity is $O(\text{poly log } n)$. Similar to S_w , we can get the unitary operator U_{e_k} that is an $(n_k, \log n, 0)$ -block encoding of $\mathbf{e}_{n_k} \mathbf{e}_{n_k}^T$ with time $O(\text{poly log } n)$, $k = 1, \dots, c$. Then we can get that the unitary operator $\sum_{k=1}^c |k\rangle\langle k| \otimes U_{e_k}$ is an $(\tilde{n}, \text{poly log}(cn), 0)$ -block encoding of E , and the time complexity is $O(\text{poly log}(c\tilde{n}))$, where $\tilde{n} = \max_k(n_k)$.

According to **Lemma 2**, we can also produce an $(\tilde{n}\|X\|_F\|Y\|_F, \log(c\tilde{n}), \epsilon\tilde{n}(\|X\|_F + \|Y\|_F))$ -block-encoding of $XCECY^T$ with time complexity

$O(\text{poly log}(cn/\epsilon))$. Similar to the method of H_x , we can obtain an $(\tilde{n}\|X\|_F\|Y\|_F, \log(c\tilde{n}), 2\epsilon\tilde{n}(\|X\|_F + \|Y\|_F))$ -block-encoding of H_d with complexity $O(\text{poly log}(cn/\epsilon))$.

Similarly, based on **Theorem 1**, we also designed a quantum algorithm to solve DCCA. Compared with Li et al.'s algorithm [26], our algorithm does not need to call quantum inner product estimation algorithm [27] twice to estimate the row mean of the original data set, which makes the inverse of the error dependence of our quantum DCCA algorithm drop from $1/\epsilon^3$ to $1/\epsilon$.

E. OLS

OLS is usually necessary to first perform mean centering on the original data to alleviate ‘‘micro’’ multicollinearity problem [50, 51]. The purpose of OLS is to find model parameters to minimize the sum of square deviations of the data in the model function [37]. Specifically, given the data points set $S = \{(\mathbf{x}_i, y_i) | \mathbf{x}_i \in \mathbb{R}^n, y_i \in \mathbb{R}\}_{i=1}^n$, the problem of OLS can be expressed as finding the parameters $\hat{\beta} \in \mathbb{R}^n$ to minimize the following equation:

$$\hat{\beta} \equiv \text{argmin}_{\beta} \|XC\beta - \mathbf{y}\|^2, \quad (21)$$

where $X = (\mathbf{x}_1, \dots, \mathbf{x}_n) \in \mathbb{R}^{n \times n}$ is the original data matrix, $C \in \mathbb{R}^{n \times n}$ is the centering matrix, $\mathbf{y} = (y_1, \dots, y_n)^T \in \mathbb{R}^n$ is a vector. The above optimization problems has the following closed-form solution:

$$\hat{\beta} = (X^T C X)^{-1} X^T C \mathbf{y}. \quad (22)$$

Note that the above equation can be viewed as the product of the matrix $(X^T C X)^{-1} X^T C$ and the vector \mathbf{y} .

Combining with **Theorem 34** in Ref. [34], we only need to replace the weight matrix W with C to solve OLS. The complexity of quantum OLS algorithm is $\tilde{O}(\frac{\mu(A)\kappa_A}{\|A\|} \text{poly log}(n/\epsilon))$, where $A = \sqrt{C}X$, $\mu(A) = \|A\|_F$, κ_A is the condition number of A . Similarly, our algorithm can be generalized to solve for weighted least squares and generalized least squares problems [34].

It is worth noting that our algorithm obtains the block-encoding of the mean-centered data matrix, which makes our algorithm more suitable for algorithms involving matrix algebra problems, such as multidimensional scaling [38], kernel machine learning [32, 39], and extreme learning machine [40].

V. CONCLUSION

In this paper, we presented a quantum MC for block-encoding-based quantum algorithm. In particular, we first constructed the block-encoding of C , and then further obtained the block-encodings of XC , CX and CXC respectively. Finally, our algorithm is successfully applied to PCA, LDA, CCA, DCCA and OLS, so that these

corresponding quantum algorithms can get rid of the assumption that the original data matrix has been classically mean-centered. Compared with Li et al.'s algorithm [26], our algorithm can not only get rid of a strong assumption mentioned in Sec. I, but also reduce the dependence of the algorithm on the inverse of the error ϵ . For example, in DCCA, our algorithm makes the error dependence of quantum DCCA drop from $1/\epsilon^3$ to $1/\epsilon$. It is worth noting that Li et al.'s algorithm produces a digital-encoded [52] quantum state that can access the elements of the mean-centered data matrix in parallel. This may have advantages in other studies in the future.

We found an interesting phenomenon that MC can be achieved by calculating the mean value first and then subtracting the corresponding mean value from the original data, or by multiplying the centering matrix with the original data matrix. The complexity of both classical algorithms is $O(n^2)$. Moreover, in many classical algorithms, such as PCA, the complexity of this process is often much smaller than the complexity of the algorithm itself, thus it is often ignored. However, for quantum algorithms, the strategy of multiplying the centering

matrix with the original data matrix allows us to directly use the block-encoding technique to design the quantum MC algorithm. This makes this algorithm more suitable for algorithms involving matrix algebra problems, such as multidimensional scaling [38], kernel learning machine [32, 39], extreme learning machine [40]. This new phenomenon may shed some light on the work of quantum algorithms in other directions.

ACKNOWLEDGMENTS

We thank Shanwei Ma and Changpeng Shao for useful discussions on the subject. This work is supported by the Beijing Natural Science Foundation (Grant No. 4222031), the National Natural Science Foundation of China (Grant Nos. 61976024, 61972048, 62006105), BUPT innovation and entrepreneurship support program (Grant No. 2021-YC-A206), and the Jiangxi Provincial Natural Science Foundation (Grant No.20202BABL212004).

-
- [1] Shor P W. Algorithms for quantum computation: discrete logarithms and factoring. Proceedings 35th annual symposium on foundations of computer science. Ieee, 1994. 124-134.
 - [2] Grover L K. Quantum mechanics helps in searching for a needle in a haystack. Physical review letters, 1997, 79(2): 325-328.
 - [3] Berry D W, Ahokas G, Cleve R, et al. Efficient quantum algorithms for simulating sparse Hamiltonians. Communications in Mathematical Physics, 2007, 270(2): 359-371.
 - [4] Berry D W, Childs A M, Cleve R, et al. Simulating Hamiltonian dynamics with a truncated Taylor series. Physical review letters, 2015, 114(9): 090502.
 - [5] Low G H, Chuang I L. Optimal Hamiltonian simulation by quantum signal processing. Physical review letters, 2017, 118(1): 010501.
 - [6] Low G H, Chuang I L. Hamiltonian simulation by qubitization. Quantum, 2019, 3: 163.
 - [7] Harrow A W, Hassidim A, Lloyd S. Quantum algorithm for linear systems of equations. Physical review letters, 2009, 103(15): 150502.
 - [8] Wan L C, Yu C H, Pan S J, et al. Asymptotic quantum algorithm for the Toeplitz systems. Physical Review A, 2018, 97(6): 062322.
 - [9] Liu H L, Qin S J, Wan L C, et al. A quantum algorithm for solving eigenproblem of the Laplacian matrix of a fully connected graph. arXiv preprint arXiv:2203.14451, 2022.
 - [10] Zheng Q L, Zhu P Y, Xue S C, et al. Quantum algorithm and experimental demonstration for the subset sum problem. SCIENCE CHINA Information Sciences, 2022, 65(8): 182501.
 - [11] Wiebe N, Braun D, Lloyd S. Quantum algorithm for data fitting. Physical review letters, 2012, 109(5): 050505.
 - [12] Wang G M. Quantum algorithm for linear regression. Physical review A, 2017, 96(1): 012335.
 - [13] Yu C H, Gao F, Wen Q Y. An improved quantum algorithm for ridge regression. IEEE Transactions on Knowledge and Data Engineering, 2019, 33(3): 858-866.
 - [14] Rebertrost P, Mohseni M, Lloyd S. Quantum support vector machine for big data classification. Physical review letters, 2014, 113(13): 130503.
 - [15] Duan B, Yuan J, Liu Y, et al. Quantum algorithm for support matrix machines. Physical Review A, 2017, 96(3): 032301.
 - [16] Ye Z K, Li L Z, Situ H Z, et al. Quantum speedup of twin support vector machines. SCIENCE CHINA Information Sciences, 2020, 63(8): 189501.
 - [17] Li Q, Huang Y, Jin S, et al. Quantum spectral clustering algorithm for unsupervised learning. SCIENCE CHINA Information Sciences, 2022, 65(10): 200504.
 - [18] Gao S, Pan S J, Yang Y G. Quantum algorithm for kernelized correlation filter. SCIENCE CHINA Information Sciences. <https://doi.org/10.1007/s11432-021-3400-3>.
 - [19] Montanaro A. Quantum algorithms: an overview. npj Quantum Information, 2016, 2(1): 1-8.
 - [20] Biamonte J, Wittek P, Pancotti N, et al. Quantum machine learning. Nature, 2017, 549(7671): 195-202.
 - [21] Bro R, Smilde A K. Centering and scaling in component analysis. Journal of chemometrics, 2003, 17(1): 16-33.
 - [22] Honeine P. An eigenanalysis of data centering in machine learning. arXiv preprint arXiv:1407.2904, 2014.
 - [23] Abdi H, Williams L J. Principal component analysis. Wiley interdisciplinary reviews: computational statistics, 2010, 2(4): 433-459.
 - [24] Lloyd S, Mohseni M, Rebertrost P. Quantum principal component analysis. Nature Physics, 2014, 10(9): 631-633.
 - [25] Cong I, Duan L. Quantum discriminant analysis for di-

- mensionality reduction and classification. *New Journal of Physics*, 2016, 18(7): 073011.
- [26] Li Y M, Liu H L, Pan S J, et al. Quantum discriminative canonical correlation analysis. *arXiv preprint arXiv:2206.05526*, 2022.
- [27] Kerenidis I, Landman J, Luongo A, et al. q-means: A quantum algorithm for unsupervised machine learning. *Advances in Neural Information Processing Systems*, 2019, 32.
- [28] Zhou S S, Loke T, Izaac J A, et al. Quantum Fourier transform in computational basis. *Quantum Information Processing*, 2017, 16(3): 1-19.
- [29] Sun T, Chen S, Yang J, et al. A novel method of combined feature extraction for recognition. *2008 Eighth IEEE International Conference on Data Mining. IEEE*, 2008: 1043-1048.
- [30] Cramer M, Plenio M B, Flammia S T, et al. Efficient quantum state tomography. *Nature communications*, 2010, 1(1): 1-7.
- [31] O’Neill B. The Double-Constant Matrix, Centering Matrix and Equicorrelation Matrix: Theory and Applications. *arXiv preprint arXiv:2109.05814*, 2021.
- [32] Bauckhage C, Welke P. *ML2R Theory Nuggets: Centering Data and Kernel Matrices*. Technical Report. MLAI, University of Bonn, 2021.
- [33] Gilyén A, Su Y, Low G H, et al. Quantum singular value transformation and beyond: exponential improvements for quantum matrix arithmetic. *Proceedings of the 51st Annual ACM SIGACT Symposium on Theory of Computing*. 2019: 193-204.
- [34] Chakraborty S, Gilyén A, Jeffery S. The power of block-encoded matrix powers: improved regression techniques via faster Hamiltonian simulation. *arXiv preprint arXiv:1804.01973*, 2018.
- [35] Shao C. Quantum speedup of Bayes’ classifiers. *Journal of Physics A: Mathematical and Theoretical*, 2020, 53(4): 045301.
- [36] Hardoon D R, Szedmak S, Shawe-Taylor J. Canonical correlation analysis: An overview with application to learning methods. *Neural computation*, 2004, 16(12): 2639-2664.
- [37] Craven B D, Islam S M N. Ordinary least-squares regression. *The SAGE dictionary of quantitative management research*, 2011: 224-228.
- [38] Cox M A A, Cox T F. Multidimensional scaling. *Handbook of data visualization*. Springer, Berlin, Heidelberg, 2008: 315-347.
- [39] Hofmann T, Schölkopf B, Smola A J. Kernel methods in machine learning. *The annals of statistics*, 2008, 36(3): 1171-1220.
- [40] Chen S, Chen K, Xu C, et al. Flexible ranking extreme learning machine based on matrix-centering transformation. *2018 International Joint Conference on Neural Networks (IJCNN)*. IEEE, 2018: 1-8.
- [41] Takahira S, Ohashi A, Sogabe T, et al. Quantum Algorithms based on the Block-Encoding Framework for Matrix Functions by Contour Integrals. *arXiv preprint arXiv:2106.08076*, 2021.
- [42] Wan L C, Yu C H, Pan S J, et al. Block-encoding-based quantum algorithm for linear systems with displacement structures. *Physical Review A*, 2021, 104(6): 062414.
- [43] Nielsen M A, Chuang I. *Quantum computation and quantum information*. 2002.
- [44] Wossnig L, Zhao Z, Prakash A. Quantum linear system algorithm for dense matrices. *Physical review letters*, 2018, 120(5): 050502.
- [45] Bishop C M, Nasrabadi N M. *Pattern recognition and machine learning*. New York: springer, 2006.
- [46] Belhumeur P N, Hespanha J P, Kriegman D J. Eigenfaces vs. fisherfaces: Recognition using class specific linear projection. *IEEE Transactions on pattern analysis and machine intelligence*, 1997, 19(7): 711-720.
- [47] Cheng Y Q, Liu K, Yang J, et al. Human face recognition method based on the statistical model of small sample size. *Intelligent Robots and Computer Vision X: Algorithms and Techniques*. SPIE, 1992, 1607: 85-95.
- [48] Fukuaga K. Introduction to statistical pattern classification. *Patt. Recognit*, 1990, 30(7): 1145-1149.
- [49] Shao C, Liu J P. Solving generalized eigenvalue problems by ordinary differential equations on a quantum computer. *Proceedings of the Royal Society A*, 2022, 478(2262): 20210797.
- [50] Iacobucci D, Schneider M J, Popovich D L, et al. Mean centering helps alleviate “micro” but not “macro” multicollinearity. *Behavior research methods*, 2016, 48(4): 1308-1317.
- [51] Hofer M. Mean Centering. *The International Encyclopedia of Communication Research Methods*, 2017: 1-3.
- [52] Mitarai K, Kitagawa M, Fujii K. Quantum analog-digital conversion. *Physical Review A*, 2019, 99(1): 012301.