

Integrating Black Start Capabilities into Offshore Wind Farms by Grid-Forming Batteries

Daniela Pagnani^{*,*}, Łukasz Hubert Kocewiak^{*}, Jesper Hjerrild^{*}, Frede Blaabjerg^{*}, Claus Leth Bak^{*}

^{*}*Electrical System Design and Grid Integration, Ørsted, Gentofte, Denmark*

^{*}*AAU Energy, Aalborg University, Aalborg, Denmark*

{dapag, lukko, jeshj}@orsted.dk, {fbl, clb}@energy.aau.dk

Abstract—Power systems are currently experiencing a transition towards decarbonisation of electrical generation through large-scale deployment of renewable energy sources. These are gradually replacing conventional thermal power plants which today are the main providers of black start (BS) services. Consequently, in case of a total/partial blackout, conventional black-start resources are not ready for operation. Offshore wind farms (OWFs), with their large capacity and fast controllers, have potential as novel BS units. This new service introduces a need for a new design for wind power systems to be able to fulfil the black start requirements for non-traditional generation units. In this paper, challenges, and possible solutions in integrating BS services into OWFs will be presented. A first challenge is represented by the implementation of a BS unit. The BS unit should be capable of firstly forming the wind farm power island and withstanding transient phenomena due to energisation. There could be several different solutions, e.g., the integration of grid-forming converters in the wind farm design which could be battery energy storage systems (BESSs). In this paper, specific challenges are analysed using simulations on a wind farm equipped with a grid-forming BESS, and the proposed solutions discussed. It can be concluded that a hybrid system comprised of a BESS and an OWF, in combination with novel technologies such as grid-forming control, soft-charging, etc. represents a feasible proposal for being able to provide BS services with OWFs.

Keywords—black start, power system restoration, offshore wind farms, power system resiliency, grid-forming, island operation, soft-charge

I. INTRODUCTION

Power systems are currently experiencing a transition towards the decarbonisation of electricity generation through large-scale deployment of renewable energy sources. Industries are facing a major re-thinking to cut emissions faster and furthermore, since the global warming has to be limited to an increase of 1.5°C by reaching net-zero emissions in 2050, as per the Paris Agreement. Therefore, conventional power plants which run on fossil fuels are more and more often taken out of operation to accommodate higher shares of renewable energy generation. However, this weakens the resiliency of the contemporary power system after a blackout, as there are no black start (BS) sources ready to re-energise the grid in this scenario. At the same time, it is not convenient to maintain conventional power plant systems in stand-by only for the possible risk of a blackout [1]. Consequently, economic considerations also point towards the integration of new types of BS service providers. Integrating BS service into non-conventional technologies to participate in the BS market could introduce a new revenue stream to operators and lower costs for electricity consumers, due to increased competition

[1]. Therefore, the integration of a large volume of renewable energy sources as BS providers offers new opportunities in power system restoration planning. Accordingly, a part of this major re-thinking of strategies needs to consider BS service providers.

High attention has recently been given to BS as it represents a crucial counteraction to the emergency state introduced by a blackout [2]. The occurrence of a massive power outage that includes the complete loss of generation, load and the transmission network serving the system loads, requires the use of selected generating stations with self-starting capability, i.e., BS sources, to get the system back into operation [3]. Power system blackouts are rare, but a recent and major example is the blackout in South Australia in 2016, where around 850,000 consumers were affected for hours by the loss electrical energy spread through almost the entire state. Thus, depending on how fast the power is restored, blackouts may have great impact on the economy and society. Hence, a fast and reliable restoration scheme is a major concern to minimize the economic and societal losses. Important organizations such as ENTSO-E [4], CIGRÉ [5] as well as the EU Commission [6] have addressed this concern.

Among renewable energy sources, wind energy is one of the fastest growing, thanks to its abundance and sustainability [7]. In particular, offshore wind farms (OWFs) represent an attractive solution at global [7], European [8] and both Danish [9] and British level [10]. In this context, OWFs, with their large capacity and fast controllers, show potential as innovative renewable-based BS units. Since the restoration time reduces exponentially with the availability of BS units, integrating BS capability into OWFs could significantly reduce the extent, intensity and duration, and thus the overall impact of blackout events [1]. Therefore, it is important that OWFs gain the ability to participate in the restoration strategy as BS units. Furthermore, BS is a crucial and extra service that is agreed separately from ancillary services. Thus, it is additionally paid, and thereby potentially increase the revenue for operators of OWFs.

The practical feasibility of successfully providing BS capability from an OWF still has to be proven, as no OWF is currently able to restore a black grid. Therefore, more research needs to be conducted. Some literature around the main topic can be found in [11-14], where some discussion are made around OWF system configuration and control for BS. However, no research is found, which discusses the challenges that BS functionality introduces in OWFs and presents possible solutions which could be taken into consideration and implemented. Nevertheless, innovative power electronic solutions, in combination with modern energy storage systems can enable this [15]. The increase and diversification of novel power-electronic-based devices, such as wind turbines (WTs),

This work is part of an Industrial PhD project partially funded by Innovation Fund Denmark, project 9065-00238.

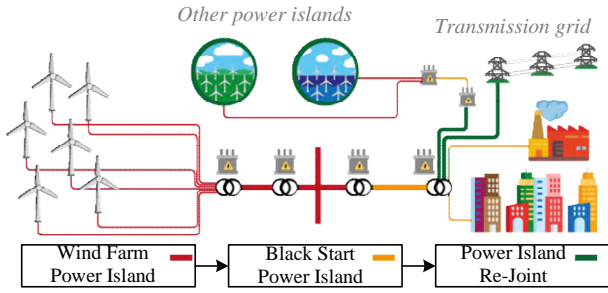


Fig. 1. Stages of a black start procedure implemented by an offshore wind farm.

high-voltage direct-current (HVDC) transmission, STATCOMs and battery energy storage systems (BESSs) in particular, creates many opportunities for extended functionalities and innovation in power systems. A novel technology which is attractive is represented by grid-forming (GFM) convert control, which may be a viable option for self-start of a power-electronic-based power system. In [16], the solution to apply GFM converters in OWFs is presented and lists the advantages by introducing a GFM unit onshore to reduce the costs and downtime of the OWF related to offshore equipment. Nevertheless, the GFM unit introduced onshore for ease of maintenance is a STATCOM, which does not have the advantages of additional energy storage as a large BESS has, which is required for system restoration. In [17], the idea of introducing a BESS in the wind farm design is presented in order to improve the performance of the grid-connected system. However, the battery is not a GFM unit and there are no discussions on BS operation. In [18, 19], a novel type of device, consisting of integrated STATCOM and BESS is introduced in the OWF to perform island operation and BS. The device, defined IBESS, is a GFM unit, nonetheless, no discussion on the additional solutions is shown in order to perform a real BS.

The rest of this paper is organised as follows (which is an extension of [20]): an analysis of BS functionality in OWFs and transmission systems is given in Section II, where different stages identified in the implementation of BS procedure by OWFs are outlined. Then, the selected challenges and possible solutions for OWFs as BS service providers are presented in Section III. These are classified and justified according to their different aspects. BS simulation analysis on an OWF system inspired by and adapted to large projects in the UK like Hornsea I and II [21] with integrated GFM battery and discussions are presented in section IV. Finally, concluding remarks are given in Section VI.

II. BLACK START FUNCTIONALITY ANALYSIS

BS comprises of different stages, going from a state of no power to a state of restored normal operation for the power system. The OWF operating as a BS unit needs to meet a certain set of requirements, referred to as BS requirements. As shown in [11], these requirements do not apply to OWFs currently as they are not conventional power plants. Nevertheless, an extended set of requirements has been proposed by some transmission system operators (TSOs), for example, in the United Kingdom (UK) which are considered here [22]. When using an OWF as BS source, the first stage represents the energisation of the wind farm in island operation, i.e., working as a wind farm power island disconnected from the transmission grid which is shutdown. Once the island is energised and stable, the energisation of

the onshore transmission grid and the energising of block loads (which are an aggregated load of energy consumers) can start and thus form a BS power island. This is also a challenging operation, as the transmission grid itself consists of many transmission lines and large loads coming from the distribution system, which have to be energised. After the energisation of a part of the system, the synchronisation with other power islands in the system has to take place until the full system is synchronised and restored. These stages are shown in Figure 1, and as they have different characteristics, they will be analysed separately.

A. Wind Farm Power Island

After a total shutdown, the electrical circuits of the OWF are found in a state of no power, with all WTs disconnected. In order for the OWF to serve as BS unit for the TSO, the first step is to energise the OWF as power island.

The first operation happening instructs the OWF operator that a BS operation needs to take place. There will be a time limit to connect to the onshore grid, such as two hours for the UK [22], within which the BS unit (which is the OWF from the TSO's perspective) needs to be ready to energise the onshore transmission grid and block loads. The OWF has to have a unit able to self-start, which can deliver the first energisation power. This self-starter will have to energise the system OWF system, i.e., the export and array cables, WTs, substations, and other parts of the system that are needed for the BS. This procedure can be challenging due to the different devices present, i.e., reactive components, power electronic converters, and other switching operations involved. The energisation of the reactive components can trigger transient phenomena, e.g., inrush currents, which are problematic for power-electronic-based generation sources. An interesting aspect of this stage is that there are no requirements from the TSO to be respected as the system is not connected to the transmission grid. This means that the only limitation to the operator during island mode are posed by the requirements of the components in order to function well. This gives a higher degree of freedom as for example a voltage limit requirement, which is $\pm 10\%$ for the UK, can be exceeded if case it is necessary for the wind farm power island.

Initially, the wind power island is a dead system, and therefore, the location of the self-starter as well as the energisation strategy are fundamental for a resilient BS strategy. Once energised by the self-start unit, the OWF is working as a wind farm power island, which is a weak grid, as it is not connected to the transmission grid, i.e., working as an islanded power system has to balance local loads and generation. Once the OWF system is stable and ready, the actual BS service of connection and energisation of the dead transmission grid can take place.

B. Black Start Power Island

This stage is the first where an actual system restoration is occurring. At this stage, the OWF acting as a BS source will have to energise both passive components of the transmission and distribution network, as well as block loads. There are specific requirements on both, and they are different according to the country. In the UK, the reactive capability of the BS unit needs to be at least 100 Mvar exported from the OWF and the block loading capability is set at a minimum of 20 MW [11]. Due to the variability of the transmission

network configuration, the OWF as BS unit needs to be prepared for different scenarios and flexible in accommodating them. The challenge to solve at this stage consists mainly in the performance of the OWF, and all its power-electronic-based sources, during the energisation of the system where phenomena like high inrush currents, resonances and loss of synchronism could jeopardise the BS power island stability. Once part of the onshore network is restored the OWF is working as BS power island where the OWF will be exporting power to the transmission grid, while controlling the frequency of the island. The actual number of block loads will depend on the TSO requested service and the OWF power available at the instant of block loading. Furthermore, the considerations need to account for the OWF power availability for a minimum of three days in the UK, according to the TSO's needs in the overall system restoration.

After this stage, the interconnection with other power islands will occur to complete the restoration of the network.

C. Power Island Re-Joint

Initially, the OWF is controlling power consumption and frequency of the BS power island. When the TSO is ready for the energised islands to re-join into one synchronous grid, the OWF operator has to initiate the grid synchronisation processes. The transition from islanded to grid connection needs to be seamless, therefore the controller settings need to easily pass from islanded to grid-synchronisation. At this stage is important to fulfil all the BS requirements and provide a resilient service of BS in order to complete the restoration procedure and finally get back to a state of normal operation.

III. CHALLENGES AND POSSIBLE SOLUTIONS IN INTEGRATING BLACK START INTO OFFSHORE WIND FARMS

The main challenge posed by the integration of BS capabilities into OWFs is the fact that OWFs are usually 100% power-electronic-based systems whose source of power is variable, which is in contrast to the conventional BS sources that are mainly large synchronous generators. Therefore, different challenges arise as presented in [11]. These challenges and their proposed solutions will now be analysed and discussed together with solutions.

A. Self-Start Capability

Firstly, power electronic converters present in usual OWF designs are grid-following (GFL) converters [23], which do not have self-starting capability. This is because normally OWFs do not contribute to restoration strategies, and they are typically energised by the transmission grid. Hence, in order to integrate BS capabilities into OWFs, there is a fundamental need to introduce a device with self-start capabilities.

There are different alternatives and different configurations that are possible [11]. The use of a new generation power electronic converters with GFM control is highly relevant. These converters in the OWF could be storage-interfaced units or GFM WTs. Another option is represented by the use of a conventional unit as a synchronous generator, which could be fuelled by diesel or, as more recently proposed, by biomass [1], or even green hydrogen. Nevertheless, more and more research is focused on the application of novel GFM control strategies to BS,

instead of synchronous generators. This current trend is mainly due to the fact that many companies are trying to support sustainable goals, by implementing carbon neutral solutions in their operations and supply chain [24, 25], and therefore want to avoid the use of fossil fuels, such as diesel, as much as possible. Furthermore, biomass-powered synchronous generators are typically available on a much smaller scale than conventional units [1]. Thus, this affects their capability and so this must be considered when setting technical requirements and levels of service.

The use of GFM converters is interesting, however, and the self-starter needs to overcome many challenges, such as working with complex system dynamics and transient phenomena in a weak grid system, where physical inertia are not present and stability issues may arise.

B. Service Availability

Secondly, the availability problem is of high concern. As wind is the source of power in an OWF, the BS service availability highly depends on the wind variability. For the UK, the BS availability requirement is 90%, which is the same established for conventional BS sources. As presented in [26], the average amount of procured wind capacity to secure a sustained 500 MW of power for 24 hours for 90th percentile is higher than 10 GW. This is certainly an extreme amount and it is also stated that very large diversity in available power could be found also from two wind farms with very similar total capacity, depending on their geographical location. Nevertheless, the challenge posed by the service availability requirement is understood, although it may be that TSOs would benefit from modifying the requirements with a view to finding the optimum balance between their specific needs and ensure that enough OWFs are able to contribute with BS. This would surely also need to be examined thoroughly by the OWF system operator. Combining energy storage with OWFs could be a potentially attractive way to boost the contribution that OWF could make. Generally, the integration of energy storage can contribute to a more efficient and stable power system. The choice of adequate energy storage is based on various parameters, such as accurate technical and economic evaluation of deployed energy storage and geographical considerations. In [27], an overview of all existing energy storage systems is carried out.

Out of various types of energy storage systems, BESSs are recently considered as the most suitable technology due to numerous advantages. Their scalability, response time and ability to absorb and deliver power to the system is making them a great option for smoothening wind power output and increasing power system stability. Moreover, the cost of this type of technology has been constantly decreasing and it is expected that the trend will continue in the future [28].

Lately, numerous projects involving BESS technology are announced, under construction or ongoing worldwide. Most recent one involved installation of 150 MW/189 MWh Li-ion BESS called Hornsdale Power Reserve, co-located with the Hornsdale Wind Farm [29]. It is considered the largest Li-ion BESS in the world and its purpose is to provide power system stability services in South Australia. Moreover, the Dalrymple BESS, also known as ESCRI-SA project, is a 30 MVA/8 MWh GFM BESS with microgrid automation, controlled with virtual synchronous machine (VSM)

algorithm. This BESS is able to store excess generation from Wattle Point Wind Farm in order to charge and perform the necessary services [30].

As presented in [31] by the IBESS project, the combination of OWF and integrated BESS and STATCOM can deliver BS with high level of availability [32]. Nevertheless, this depends on the OWF capacity and availability level required by the TSO, as discussed above. Analytical results show that a partially energised OWF in combination with BESS is able to provide BS with a level of availability higher than 80%. Meanwhile, availability higher than 90% can be provided with a larger BESS and fully energised OWF, which is costly and depends on wind conditions. As a consequence, it can be understood that adequate competition in the BS market to enable renewable energy sources to participate in this new service depends on the selected technical requirements. A lower level of availability required by the TSO allow more OWF generators to contribute to BS and ensure more competition.

C. Inertia Provision

Inertia provision has clearly been added as a BS requirement. This is challenging for conventional OWFs as they are 100% power electronic based systems. Nevertheless, this requirement can be fulfilled either by real or virtual inertia. Virtual inertia, the requirement can be achieved by implementing inertia emulation in the converter control. More specifically, the WTs and/or BESS in the OWF can be controlled as VSM and deliver inertia emulation when needed. Both GFL and GFM control can emulate inertia and examples are described in [33, 34]. Practical applications of VSM GFM in power electronics can be found for BESSs in [30] and WTs in [35, 36]. Furthermore, VSM algorithms have been proposed for STATCOMs to emulate inertia [37]. In this context, STATCOMs could behave as synchronous condensers [38]. Innovative types of STATCOMs can support the system with more than just dynamic voltage regulation. One example is the SVC PLUS[®] with power intensive energy storage, which is a combined STATCOM with supercapacitors which is able to provide both voltage and frequency support [38]. These capabilities could be exploited and used for inertia emulation as well.

D. Control, Stability and Interoperability

With a whole new service to provide, the control and interoperability of the OWF system also adds a challenge. Depending on the numbers of self-starters, there will be a need to coordinate the interoperability, both during the energisation and the system operation. In particular, the challenge gets tougher as the islanded OWF system represents a weak grid, compared to the onshore transmission grid, which is usually the reference for the power electronic control. Therefore, issues like energisation sequence and island frequency control are of main importance. In this regard, the possibility to combine a GFM BESS together with GFM WTs has the potential to ensure stable operation also in weak grid conditions. The GFM unit(s) will have firstly to coordinate the response, which could be primarily assigned to the BESS, in order to avoid relying on wind conditions, and then be shared with the WTs. During operation, the interoperability could be guaranteed keeping the system

coordinated by a high-level control, which applies communication, or by droop strategies for example. Moreover, as the system parts get energised, the need for an adaptive control may emerge in between these settings. Hence, the complexity of the proposed solution is increased. After deployment of a BS demonstration to show that the implemented solutions are feasible, also automation and communication settings need a viable solution to have a faster BS procedure with reduced error in the case of a real blackout scenario.

BESSs are considered as one of the prominent solutions for stability maintenance in a renewable energy system [26]. Thus, their use is expected to be relevant in OWF BS.

There are many different types of GFM control strategies that have been presented in the state-of-the-art literature and that could be applied for OWF BS [39]. In between these strategies, VSM type of GFM control has achieved successful application, e.g. in field tests for GFM WTs [35, 36] and the Dalrymple BESS working in combination with Wattle Point Wind Farm in South Australia [30].

E. Transient Behaviour

Transient phenomena are involved in every energisation operation related to OWF BS. Transients due to the switching operations can be challenging for the system to survive. Transient overvoltages can lead to equipment failure or damage that may hinder a successful implementation of the restoration plan. Energising equipment during BS conditions can result in higher overvoltages than during times of normal operation [3]. These transient overvoltages originate from energising operations and equipment non-linearity, e.g. transformer saturation. A first challenge is represented by the wind farm power island energisation. To contain the energisation transients, novel energisation methods like soft charging can be applied with GFM units. After that, another challenge is the energisation of the transmission system and block loads. If the load has been de-energised for several hours, the inrush current upon re-energising the load can be as high as eight to ten times of normal [3]. Hence, a detailed BS strategy and simulation plan will have to confirm that the OWF system will be able to cope with a BS.

F. Harmonic Performance

The combination of different power converters, long cables and other passive elements also introduces issues for the harmonic performance of the system. This is due to the fact that power system resonances may be excited during the restoration procedure and/or converter controls may interact with such resonances, potentially leading the system to instability conditions. These could lead to temporary overvoltages which in turn could damage the equipment in the system. Therefore, the analysis of the BS strategy needs to consider this challenge to mitigate the possible effects of harmonic distortion.

The main solution to this challenge can be passive and active harmonic filtering. The former consists of the application of passive filter, while the latter is an adaptive to topology changes and system loadings [40]. This represents a flexible harmonic mitigation measure and can be successfully applied to the OWF during BS.

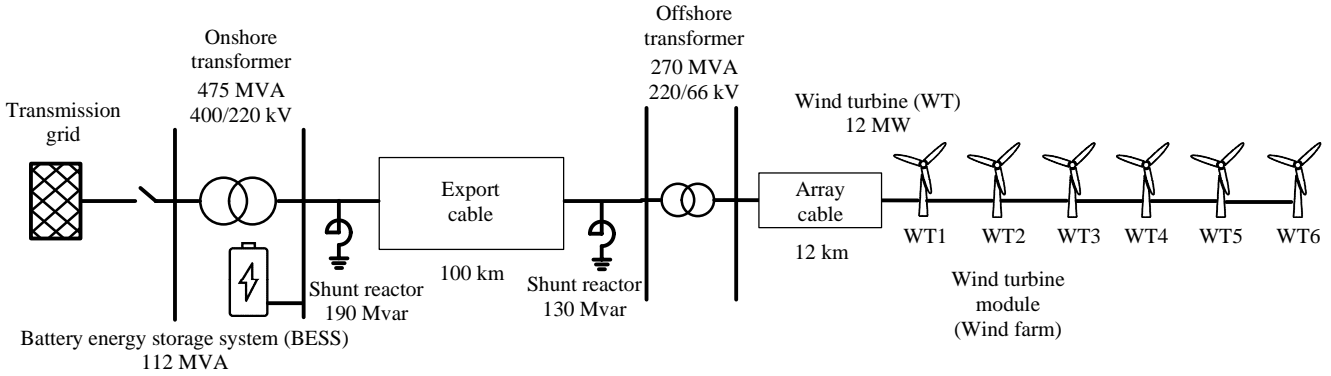


Figure 2. Single-line diagram of the offshore wind farm and battery system used for the black start studies.

IV. BLACK START STUDIES

In a real BS scenario where the BS source would be an OWF with a BESS as main self-start unit, a general strategy needs to be implemented. As the integration of BESS together with WTs represents a hybrid generation system, the main role as master could be given to the BESS. Therefore, the BESS could be the lead to the BS procedure being the first element to self-start once the command of BS is instructed by the TSO, and later energise the OWF, forming the wind farm power island.

According to this procedure, the BESS supplies the initial power, while the WTs will then charge the BESS to maintain an optimal state of charge. Forming the BS power island, i.e., energising 20 MW block loads, the BESS will also be the one providing the initial energy, which will then be passed to the WTs. This procedure has the possibility to ensure high resiliency as the main power supply relies on one single element, where the necessary energy storage is controlled, and then it is backed up by a large OWF. Some of these presented challenges can be illustrated by a simplified OWF system. Time-domain simulations of the BS system have been developed in PSCAD/EMTDC.

A. Offshore Wind Farm Model Description

The studied system is shown in Figure 2. The OWF model is simplified and scaled down from the Hornsea Projects in the UK, where the large wind farm is very far from shore, i.e., with WTs at more than one hundred kilometres from shore.

In the model, the export system is comprised of 220-kV cables, for a total length of 100 km. The first section of the export cable is a 40-km long land cable, which is considered as a three single-core cable laid Al XLPE 1200 mm² cable in flat formation. The remaining 60-km long cable is a three-core submarine Cu XLPE 1600 mm² cable, represented as single-core cables and piped in three-foil. The export system is represented with frequency-dependent models, as it is useful for studies wherever the transient or harmonic behaviour of the cable is important.

Due to the large capacitive behaviour of cables, shunt reactive power compensation equipment has also been considered. There is a shunt reactor located onshore sized at 190 Mvar, and one offshore sized 130 Mvar, both at 220-kV level.

The offshore end of the export cable is connected to an offshore 220-kV busbar, which in turn is connected to a 220/66 kV, 240 MVA transformer. Only one WT module is considered for simplification. This WT module is comprised

of one array, which is connected to the transformers via a 66-kV busbar. Each array consists of 6 WTs, for a total of 18 WTs in the model. The WT model has been taken from [41] and adapted to the studies. This model represents a 12 MW WT operating as GFL unit (as they normally do nowadays). As a simplification, WTs are modelled by their grid-side converter model and relative controls, together with their filters and transformers. The WT control is implemented in the synchronous reference frame (SRF), i.e., dq frame. The WTs operate in voltage regulation mode, that means defining the reactive current reference proportionally to the voltage deviation from the nominal value, which is 1 pu at the 66-kV transformer bus. A droop frequency regulation of 5% in steady state is implemented. In the array, six separated WTs are connected. The array is 12-km long cables, and has been modelled as RLC models, in order to reduce the computational burden of the simulation.

At the onshore end of the cable the 400/220 kV, 475 MVA onshore transformer is connected. This connects the OWF to the onshore grid, which is only considering a 20 MW block load for simplification. In this way, it is possible to first simulate the wind farm power island and subsequently the BS power island and its impact on the self-starter, with the intention to consider a BESS for this application. The saturation characteristics are considered for the 400/220 kV and the 220/66 kV transformers.

B. Grid-Forming Battery Model Description

As stated, a GFM BESS is implemented in the OWF with the purpose of integrating BS capabilities to the system. In this scenario, the GFM BESS is a large unit connected onshore at the 220-kV bus. This is mainly due to the fact that usually the offshore substation of an OWF does not allow for large equipment such a BESS. The size could be lowered in order to make it feasible to install offshore, however the size of a BESS possible to install offshore would probably be too small for an effective BS procedure. Furthermore, the resiliency of the system is higher when having the BESS onshore, as the maintenance and reparations can be faster due to an easy access to the location.

In the model, the GFM BESS is modelled as the average model of their grid-side converter and controller. The unit is imagined to be a large BESS unit, thus using a converter based on modular multilevel converter (MMC) technology. This directly connects to the 33-kV level and only needs one 33/220 kV step-up transformer to be connected to the 220-kV bus. Furthermore, thanks to the MMC technology, only an RL filter is needed at the converter output to mitigate it. The model is inspired by [19], and consists of a 112 MVA unit,

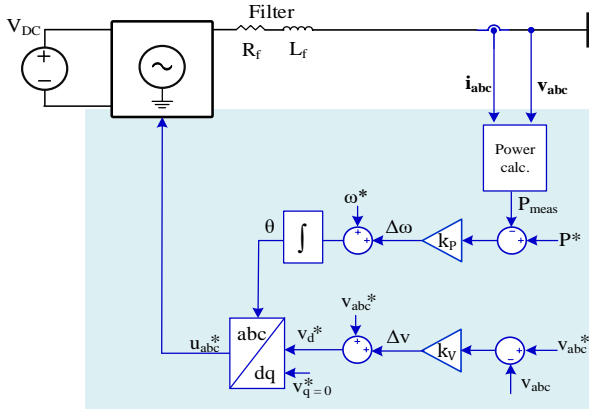


Figure 3. Controller of the grid-forming battery used in this study.

where the active power nominal rating is 50 MW, while the reactive power nominal rating is 100 Mvar, to allow for dynamic var regulation. Its controller is shown in Figure 3, where it is possible to see that the chosen GFM algorithm sets the voltage magnitude v_{abc} and phase angle θ used in the SRF transformation. The former is made of the reference voltage, which is compared to the RMS value of the voltage at the onshore 220-kV bus. This is multiplied by the gain k_v , and filtered and then fed to the reference voltage again which results in the direct voltage v_d , while the quadrature voltage v_q is set and kept constant to 0. The second part of this GFM converter is made of the power/frequency P/ω droop. This simple controller is used as a preliminary example to show some meaningful results. On the other hand, its simplicity has many limitations, as it does not provide additional inertia and damping, that may be required for a smooth operation, as well as current or voltage limitations, which on a real power electronic device will damage the semiconductor switches. All the main parameters of the model implemented for these studies are shown in Table I.

C. Simulation Description

In this study, the BS operation of the OWF, starting from the GFM BESS located onshore will be shown. The main objective is to demonstrate some of the challenges presented in § III and discuss the related possible solutions. The BS strategy starts from the system completely shut down, i.e., de-energised. The BESS will be the BS unit and provide power to the rest of the system, comprising the WTs. As discussed, the first step for this BS operation is to form the wind power island. One of the many challenges with energisation is to deal with the transient behaviour, as stated. Therefore, the application of the novel method of soft charging is presented and compared with one switching operation. The energisation consisting of switching operation involves the BESS self-starting to the nominal voltage and then connecting the system components one by one. The main objective is to underline the benefits of soft charge of the passive system, thus only the switching operation of the export cable with related shunt reactors is shown. The full procedure is instead shown with soft charge. Furthermore, the initialisation of the WTs is presented, which are not possible to soft charge due to the power electronic nature of the WTs. This part of the BS procedure represents the wind farm power island.

TABLE I. CONVERTER PARAMETERS IMPLEMENTED IN THE STUDIED MODEL.

Parameter Description	Value
Battery Energy Storage System (BESS)	
Nominal apparent power	112 MVA
Nominal active power	50 MW
Nominal reactive power	100 Mvar
Nominal RMS voltage	33 kV (line-to-line)
Filter inductance	0.1 pu
Filter resistance	0.025 pu
Transformer resistance	0.004 pu
Transformer inductance	0.1
Nominal angular frequency ω_0	$2\pi \cdot 50$ rad/s
Voltage controller gain k_v	10
Power controller droop gain k_p	5%
Wind Turbine (WT)	
Nominal active power	12 MW
Power factor	0.9
Filter inductance	0.1 pu
Filter resistance	0.005 pu
Filter shunt resistance	0.003 pu
Filter capacitance	0.075 pu
Transformer resistance	0.0054 pu
Transformer inductance	0.1 pu
PLL proportional gain	0.1
PLL integral gain	2 s
PLL filter	500 rad/s
Nominal angular frequency ω_0	$2\pi \cdot 50$ rad/s
Current controller proportional gain	0.2
Current controller integral gain	5 s
Voltage controller droop gain	0.05
Voltage controller proportional gain	0.3
Voltage controller integral gain	0.2 s
AC voltage controller proportional gain	10^{-4}

During soft charge, the whole passive islanded network is energised, from the onshore transformer to WT transformers, with all the breakers closed and the BESS forming the grid voltage from 0 to 1 pu in 0.5 s. The WTs are connected with an interval of 3 s in order to reduce the time for simulation, however, it would be longer time in reality. It would take much longer in real life due to the physical time constraints.

TABLE II. ENERGISATION PROCEDURE WITH SWITCHING INSTANTS USED IN SIMULATIONS.

Event	Instant	Stage
Soft charge of the system from 0 to 1 pu voltage	From 0 s to 0.5 s	Wind farm power island
Energisation of WT1	1 s	Wind farm power island
Energisation of WT2	4 s	Wind farm power island
Energisation of WT3	7 s	Wind farm power island
Energisation of WT4 and WT5	10 s	Wind farm power island
Energisation of WT6	16 s	Wind farm power island
Block load energisation	19 s	Black start power island

involved, especially by the mechanical part, in the range of tens of minutes. All the WTs are initialised having as DC-link voltage reference 1 pu and the voltage at the 66- kV bus at 1 pu, while the active power reference is left equal to 0 pu for the whole simulation to have the BESS as main power unit. After the passive network and WTs are energised, a 20 MW block load connected at 400 kV is energised. This represents the start of the black start power island, when the wind farm energises parts of the transmission grid. The simulation is run for 25 s. The energisation procedure is schematised in Table II.

D. Simulation Results

First and foremost, the BESS energisation of the export cable and shunt reactor system by means of hard switching is shown. In Figure 4.a, the BESS voltage is formed and at 1 s the switching operation takes place, starting a long transient characterised by voltage exceeding the $\pm 10\%$ threshold and having unbalanced phases due to the sudden connection of the long export cable, which represents a capacitive component, together with the inductive compensation of the shunt reactors. Furthermore, Figure 4.b shows the current transient which is even more severe and will violate the current capabilities of the BESS converters, as it reaches over 2 pu which is not acceptable for power electronic components.

As a comparison, the simulation illustrated in Table II is presented. In the simulation, firstly the BESS energises the passive network via soft charge. In Figure 5.a, the ramp-up of the voltage in 0.5 s is shown. The controller has a small overshoot in the first 0.1 s, which is also reflected in the voltage and the current waveforms, while subsequently follows the reference, settling at 0.994 pu with small oscillatory behaviours, an aspect that could be improved for a real BS implementation by a more sophisticated voltage controller for the GFM converter. The voltage and current during this process are measured at the BESS point of connection and are shown in Figure 5.b and .c, respectively. While the voltage is increasing smoothly, the currents have some oscillations, indicating that the system needs more damping. This energises the export cable system and the offshore grid. The BESS also provides the active and reactive power for the system, which are shown in Figure 5.d and e., respectively. During the energisation, the BESS supplies the maximum active power of 6.1 MW, while it absorbs the

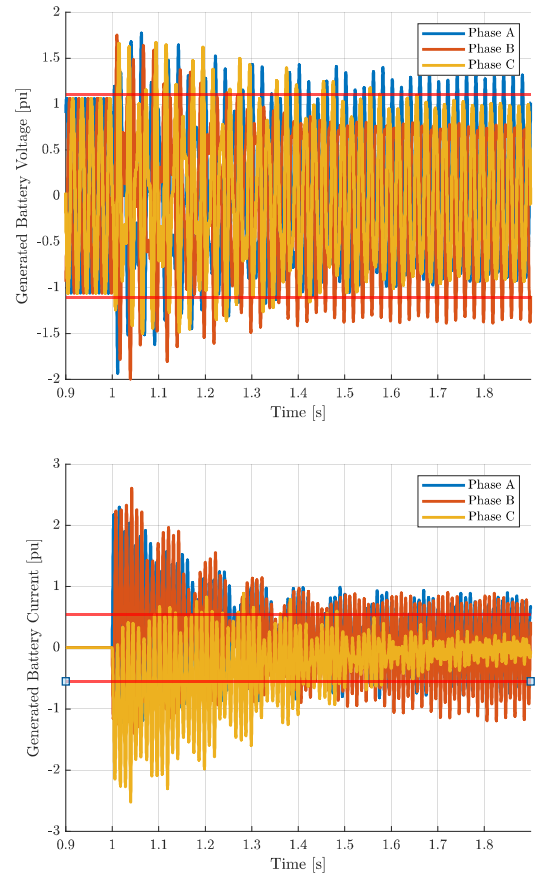


Figure 4. Simulation results from the grid-forming battery energising the export cable and shunt reactors by hard switching measured at the battery point of connection: a) Voltage from the grid-forming battery, b) Current from the grid-forming battery.

maximum reactive power of 11.5 Mvar, which is generated by the high voltage export cables. This is the excess capacitive power considering that, in no load conditions, no series inductive power appears, therefore the capacitive reactive power is in excesses. Since, the BESS is controlled to regulate the HV terminals, the BESS is absorbing this excessive reactive power to decrease the voltage. Thus, for energising the offshore grid, the active power requirement is very small, but it needs to absorb also large amount of reactive power. This indicates that in a real BS scenario, the passive var compensation needed should be kept to a minimum (e.g., by using suitably adjustable reactors rather than fixed reactors) for the BESS to supply/absorb the minimum amount of reactive power as possible. This will help in maintaining the BESS with lower load during the whole operation. In steady state, at 1.0 s, the BESS supplies 2.5 MW and absorbs 11.5 Mvar at 50 Hz, as seen in Figure 6.a.

After the soft charge, the initialisation and synchronisation of the WTs can take place. The process is synthetised in Table II and results are shown in Figure 6. In Figure 6.b, the voltage waveform is shown. It can be seen that the more WTs are connected the more oscillatory behaviour on the BESS is seen. This arises from the more power electronic units working in parallel in this islanded network. This is a point that could also be solved by extra damping and inertia in the control system. The first WT, WT1, is synchronised at 1 s. Consequently, there is a slight rise in the

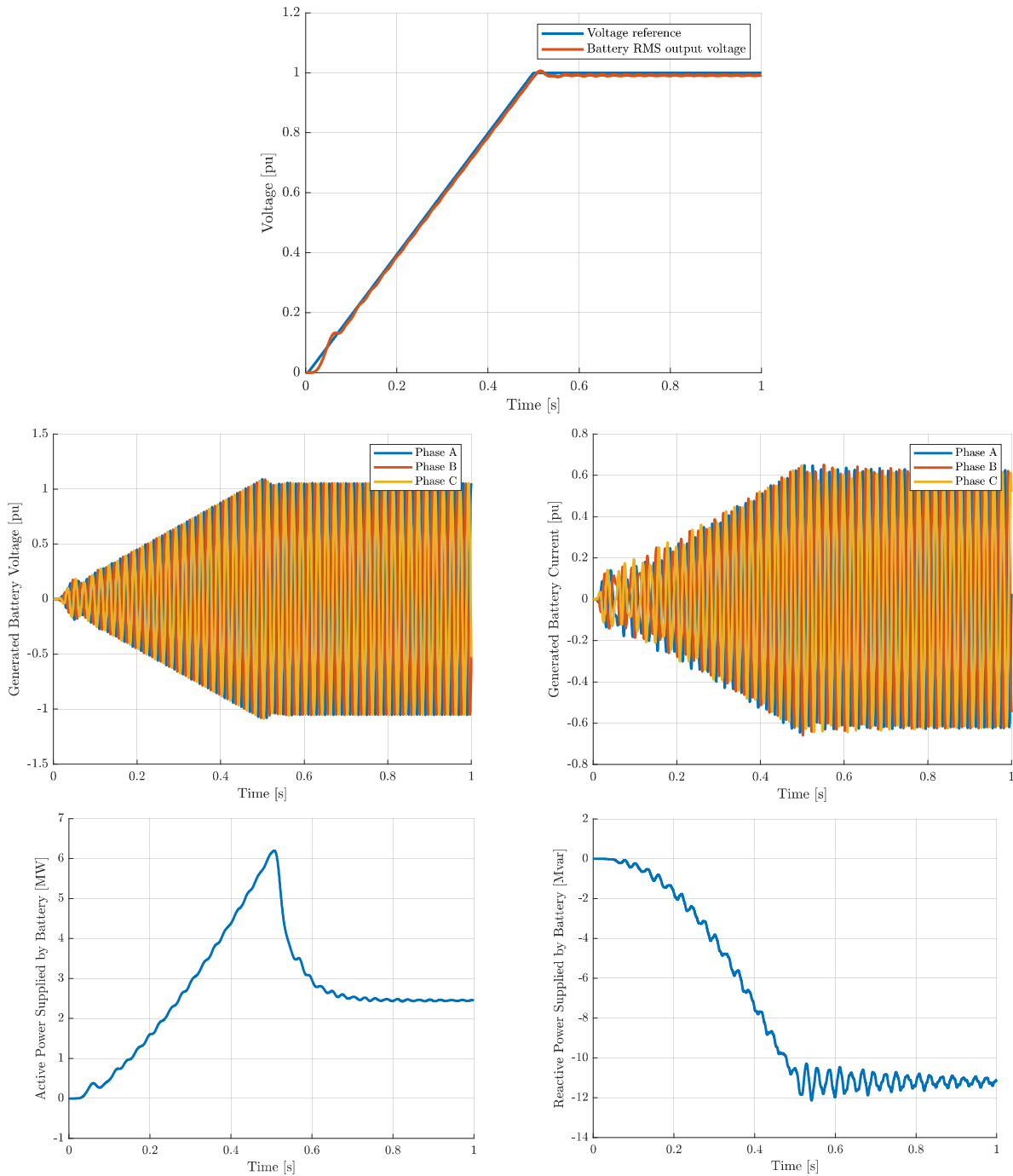


Figure 5. Simulation results from the soft charge of the wind farm passive system in Figure 2 by the grid-forming battery measured at its point of connection: a) Voltage from the grid-forming controller, b) Generated battery voltage, c) Generated battery current, d) Active power supplied by the battery and e) reactive power supplied by the battery.

voltage of 0.1 pu. The requirements specify also voltage and frequency control to be respected during BS, and for example for the UK the voltage requirements relate to $\pm 10\%$ (shown with red lines in the figures). This translates as well into a major increase of the current, that does not exceed the limits of 10% (shown as well with red lines in the figures) as the BESS is working at almost no load. It can be seen that the transient disturbance become larger and larger for every WT that gets connected. It is shown in Figure 6.c and .e how the BESS voltage and current evolve when WT3 and 4 are connected together at 10 s. It should be noted that the help of

a converter control in the BESS with current and voltage limiter could avoid the impact on these transients of the power electronic hardware, which cannot tolerate overcurrents as more traditional synchronous generators. A further transient with relevant increase of the current supplied by the BESS appears at the energisation of the 20-MW block load at 19 s, where the current goes from 0.46 pu in steady state to 0.57 pu in steady-state. This is an important aspect to consider when implementing systems with BESSs as the current capabilities of this type of devices are crucial during

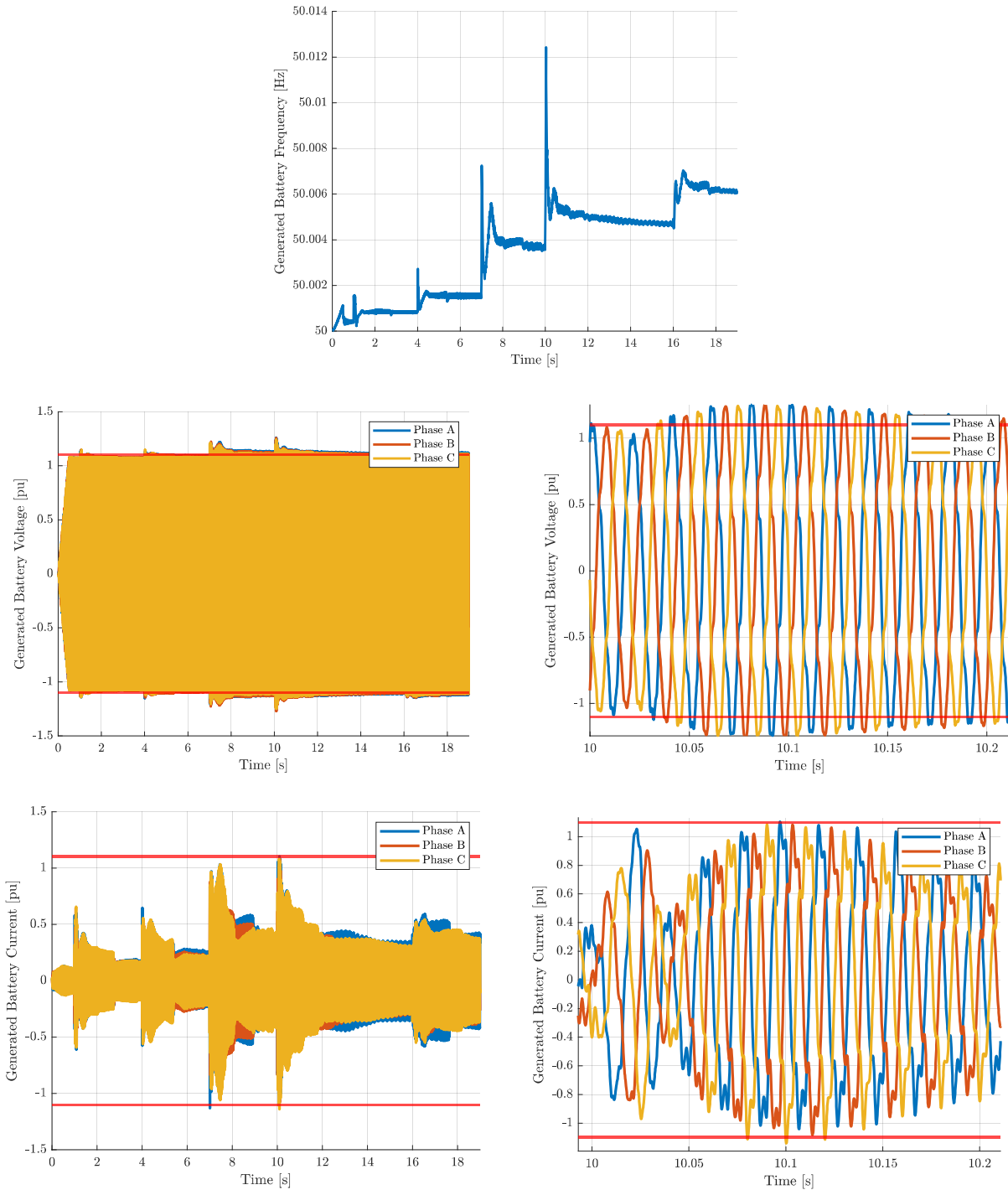


Figure 6. Simulation results from the initialisation of the wind turbines (WTs) measured at the battery point of connection: a) Frequency formed by the battery, b) Voltage from the grid-forming battery while the WT's are initialised, c) Zoom of the voltage waveforms during the initialisation of WT3 and WT4, d) Current from the grid-forming battery, e) Zoom of the current waveforms during the initialisation of WT3 and WT4.

a BS scenario. The most important thing to consider is that the BESS does not exceed its rated current and collapse both in wind farm power island and BS power island mode. In these conditions, the system has formed a black start power island as the BESS and OWF are energised and supply block loads from the transmission system. The BESS power reference has been updated to 20 MW at 19 s and the controller has been able to follow this change in the system.

During the whole simulation, the BESS was found to be able to form the wind farm power island and BS power island as BS unit. The BESS is able to cope with the different events, i.e., WT initialisation and block loading, even though a simple controller is used. The limitations shown in the simulation are part of the challenges previously discussed, e.g., transient behaviour, low damping and inertia, exceeding voltage and current limits. These may be counteracted with a more sophisticated design of the BESS system with relative

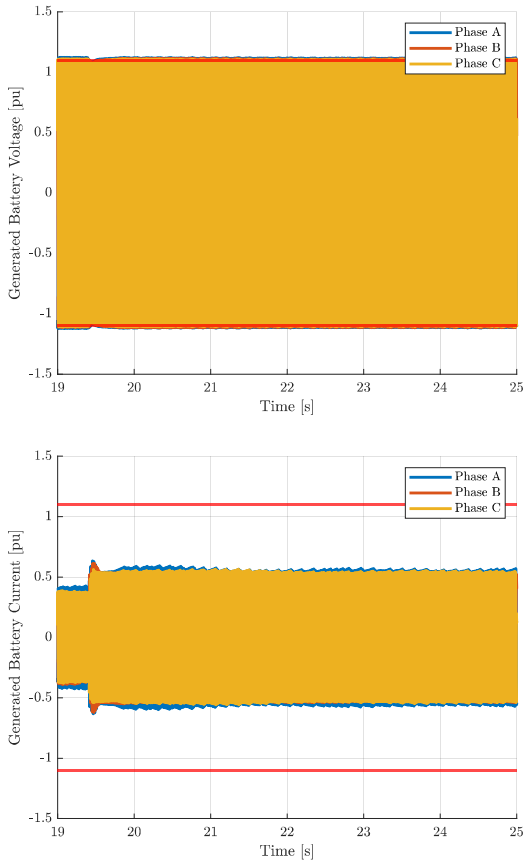


Figure 7. Simulation results from the block loading measured at the battery point of connection: a) Voltage from the grid-forming battery, b) Current from the grid-forming battery.

GFM control. Thus, it can be seen that a BESS may be the way of integrating BS capabilities into OWFs.

V. DISCUSSION

In this analysis, the BS procedure started by a GFM BESS implemented in an OWF is discussed. The main point has been to highlight the challenges that such a system may experience and discuss possible solutions. As seen, such an islanded system can rely on the GFM controllers of the BESS to energise the whole passive grid and WTs.

It can be seen that the voltage exceeds the 0.9/1.1 pu threshold requirement from the BS grid codes. It is difficult to maintain the voltage within the entire offshore infrastructure only by the converters due to the system size and complexity. Slower on-load tap-changer voltage controller can be implemented to maintain the voltage in steady-state. It has been shown that the operation can be challenging, and that a relevant GFM controller has to be designed.

It can be seen that the frequency tends to jump the more equipment is connected. The control scheme does not address smoothing the frequency during transients by means of inertia. Inertia emulation on a converter level can improve power system frequency transient response. However, that will cause active power oscillations and more utilization of the battery unit.

It can be seen that the converter stability is also a challenging area, especially when more and more power

converters are connected. It can be emphasised that it can be enhanced by (i) dedicated to BS operation controller tuning, (ii) introduction of additional damping in the control by means of virtual resistors, (iii) introduction of additional damping by supportive plants within the electrical infrastructure such as passive filters, synchronous condensers, hydrogen plants, (iv) adjustment of operational philosophy in island operation and BS operation to avoid unwanted system configurations. In this simulation example, the system shows a performance that could be improved by the application of virtual inertia and damping in the control loop, i.e., as in VSM type of implementations. It can be seen that the current is kept within the converter thermal limits. However, additional current regulation can contribute to smoother transition and perhaps even faster response.

Furthermore, it has been seen that reactive power regulation and current can be a limitation. Therefore, the controller should have explicit current control, with overcurrent limitation in order to prevent the BESS from failing.

It can be further seen that, with some adjustments, GFM converters can be a viable solution to integrated BS capabilities into OWFs, especially if applied on a device with a large capacity, like a BESS. From this analysis, it can be seen that a dynamic procedure as BS has to be thoroughly investigated to make 100% sure that the outcome has high resiliency and success rate. It is not currently implemented nor already proven that OWFs with a combination of BESS, GFM WTs and STATCOM controlled as VSM constitute a resilient BS service provider. However, analytical simulations and hardware-in-the-loop type of demonstrations will be valuable solutions for proof of concept of the system before any actual implementation.

VI. CONCLUSION AND FUTURE WORK

Overall analysis and results show the feasibility of delivering BS services from OWFs via the integration of a GFM BESS in the system. This paper demonstrates the use of a BESS in the islanded operation of an OWF. Even though hard-switching cannot be supported by the BESS due to large transient current, soft-charge can be used to energise the whole OWF. As the BESS tends to regulate the rms voltage at the high voltage terminals of its transformer, it absorbs all the excess reactive power generated by the export cables in the OWF. Whenever a new WT unit is switched in, it creates a momentary transient in the system which affects the voltage throughout the OWF. The BESS is fast enough to respond to the transients, all while supplying the system losses. Thus, the GFM control of the BESS is demonstrated to start and operate the islanded OWF successfully. More research pointing towards this novel type of service in OWFs needs to be conducted. The possible solutions discussed are to be applied and thoroughly analysed. In this way, they can be considered valid and worth testing. A more sophisticated procedure can be implemented as future work, where a more complex controller design including current and voltage limiter, inertia emulation and damping among others can be implemented and tuned for a resilient BS. Nowadays, different implementations may allow a successful BS provision by OWFs. Different solutions have been explored and proposed,

also based on existing systems with similar purposes of BS applications.

The investigated system shows the challenges, which need to be overcome before implementing this system in real life. It is found particularly interesting to implement the discussed solutions, i.e., the integration of a large BESS in the OWF, GFM control, VSM, soft-charging, active harmonic filtering, etc. As further work, the application of GFM WTs, can be studied, giving the system higher flexibility in terms of interoperability of the BS system.

REFERENCES

- [1] National Grid ESO, "Black Start from Non-Traditional Generation Technologies: Technology Capability and Readiness for Distributed Restoration," London, England, 2019.
- [2] U. Knight, *Power Systems in Emergencies - From Contingency Planning to Crisis Management*, Hoboken, NJ: John Wiley and Sons, 2001.
- [3] J. W. Feltes and C. Grande-Moran, "Black start studies for system restoration," in *Proc. IEEE Power and Energy Society General Meeting - Conversion and Delivery of Electrical Energy in the 21st Century*, Pittsburgh, PA, 2008, pp. 1-8, doi: 10.1109/PES.2008.4596565.
- [4] ENTSO-E, "Code on Emergency and Restoration," ENTSO-E, Brussels, 2015.
- [5] CIGRÉ WG C2.23, "Power System Restoration - World Practices and Future Trends," *CIGRÉ Science and Engineering*, vol. 14, no. June, pp. 6-22, June 2019.
- [6] European Union Commission, "Commission Regulation (EU) 2017-2196 of 24 November 2017 Establishing a Network Code for Electricity Emergency and Restoration," EU, Brussels, 2017.
- [7] Global Wind Energy Council, "Global Wind Report 2021," Global Wind Energy Council, Brussels, 2021.
- [8] Wind Europe, "Offshore Wind in Europe: Key Trends and Statistics 2020," Wind Europe, Brussels, 2021.
- [9] Danish Energy Agency, "2021 Denmark's Energy and Climate Outlook," Danish Energy Agency, Fredericia, 2021.
- [10] The Crown State, "Offshore Wind Operational Report," The Crown State, London, 2020.
- [11] D. Pagnani, L. H. Kocewiak, J. Hjerrild, F. Blaabjerg and C. L. Bak, "Overview of black start provision by offshore wind farms," in *Proc. IECON 2020 the 46th Annual Conference of the IEEE Industrial Electronics Society*, Singapore, 2020, pp. 1892-1898, doi: 10.1109/IECON43393.2020.9254743.
- [12] Ö. Göksu, O. Saborío-Romano, N. A. Cutululis, and P. Sørensen, "Black start and island operation capabilities of wind power plants," in *Proc. 16th Wind Integration Workshop*, Stockholm, Sweden, 2017, pp. 1-4.
- [13] A. Jain, J. N. Sakamuri, K. Das, Ö. Göksu and N. A. Cutululis, "Functional requirements for blackstart and power system restoration from wind power plants," in *Proc. 2nd International Conference on Large-Scale Grid Integration of Renewable Energy in India*, New Delhi, India, 2019, pp.1-8.
- [14] A. Jain, K. Das, Ö. Göksu and N. A. Cutululis, "Control solutions for blackstart capability and islanding operation of offshore wind power plants," in *Proc. 17th Wind Integration Workshop*, Stockholm, Sweden, 2018, pp. 1-6.
- [15] L. Liu, J. Wu, Z. Mi and C. Sun, "A feasibility study of applying storage-based wind farm as black-start power source in local power grid," in *Proc. 2016 International Conference on Smart Grid and Clean Energy Technologies (ICSGCE)*, Chengdu, China, 2016, pp. 257-261, doi: 10.1109/ICSGCE.2016.7876065.
- [16] A. Dyško, R. Ierna, M. Yu, A. Egea-Álvarez, A. Avras, C. Li, M. Horley, C. Booth and H. Urdal, "Validating grid-forming capabilities of hybrid power park technologies in future OFTO networks," *IET Renewable Power Generation*, vol. 14, no. 19, p. 3927-3935, 2020, doi: 10.1049/iet-rpg.2020.0732.
- [17] K. Zhang, C. Mao, J. Xie, J. Lu, D. Wang, J. Zeng, X. Chen and J. Zhang "Determination of characteristic parameters of battery energy storage system for wind farm," *IET Renewable Power Generation*, vol. 8, no. 1, p. 22-32, 2014, doi: 10.1049/iet-rpg.2012.0385.
- [18] S. K. Chaudhary, R. Teodorescu, J. R. Svensson, L. Kocewiak, P. Johnson and B. Berggren, "Islanded operation of offshore wind power plant using IBESS," in *Proc. 2021 IEEE Power and Energy Society General Meeting*, online, 2021, pp. 1-5, presented.
- [19] S. K. Chaudhary, R. Teodorescu, J. R. Svensson, L. H. Kocewiak, P. Johnson and B. Berggren, "Black start service from offshore wind power plant using IBESS," in *Proc. 2021 IEEE Madrid PowerTech*, 2021, pp. 1-6, doi: 10.1109/PowerTech46648.2021.9494851.
- [20] D. Pagnani, L. Kocewiak, J. Hjerrild, F. Blaabjerg and C. L. Bak, "Challenges and solutions in integrating black start into offshore wind farms," in *Proc. 19th Wind Integration Workshop*, online, 2020, p. 1-7.
- [21] Ørsted, "Hornsea Projects," [Online]. Available: <https://hornseaprojects.co.uk/>. [Accessed 22 June 2021].
- [22] National Grid ESO, "Black Start Technical Requirements and Assessment Criteria," National Grid ESO, London, 2019.
- [23] J. Rocabert, A. Luna, F. Blaabjerg and P. Rodríguez, "Control of power converters in AC microgrids," *IEEE Trans. on Power Electronics*, vol. 27, no. 11, pp. 4734-4749, 2012, doi: 10.1109/TPEL.2012.2199334.
- [24] Ørsted, "Ørsted to become carbon neutral by 2025," Ørsted, 30 January 2020. [Online]. Available: <https://orsted.com/en/media/newsroom/news/2020/01/373943464489368>. [Accessed 1 October 2020].
- [25] Ørsted, "Ørsted launches programme for carbon neutral supply chain by 2040," Ørsted, 4 February 2020. [Online]. Available: <https://orsted.com/en/media/newsroom/news/2020/02/152187899190237>. [Accessed 1 October 2020].
- [26] National Grid ESO, "Black Start from Non-Traditional Generation Technologies - Case Study: Wind Variability," National Grid ESO, London, 2019.
- [27] X. Luo, J. Wang, M. Dooner and J. Clarke, "Overview of current development in electrical energy storage technologies and the application potential in power system operation," *Applied Energy*, vol. 137, pp. 511-536, 2015.
- [28] World Energy Council, "World Energy Resources E-Storage 2016," London, 2017.
- [29] Hornsdale Power Reserve, "Our Vision," [Online]. Available: <https://hornsdalepowerreserve.com.au/our-vision/>. [Accessed 1 October 2020].
- [30] S. Cherevatskiy, S. Sproul, S. Zabihi, R. Korte, H. Klingenberg, B. Buchholz and A. Oudalov, "Grid Forming Energy Storage System addresses challenges of grids with high penetration of renewables (A case study)," in *CIGRÉ Session*, online, 2020, pp. 1-13.
- [31] M. P. Gryning, B. Berggren, L. Kocewiak and J. R. Svensson, "Delivery of frequency support and black start services from wind power combined with battery energy storage," in *Proc. 19th Wind Integration Workshop*, online, 2020, pp.1-10.
- [32] AAU Energy, "IBESS - Integrated battery energy storage and STATCOM for the optimal operation and control of WPP in power system," Aalborg University, 2018. [Online]. Available: <https://www.et.aau.dk/research-programmes/wind-power-systems/activities/IBESS/>. [Accessed 10 October 2020].
- [33] S. D'Arco, J. A. Suul and O. B. Fosso, "A Virtual Synchronous Machine implementation for distributed control of power converters in SmartGrids," *Electric Power Systems Research*, vol. 122, no. May, pp. 180-197, 2015.
- [34] Q. Zhong and G. Weiss, "Synchronverters: Inverters that mimic synchronous generators," *IEEE Trans. Ind. Appl.*, vol. 58, no. 4, pp. 1259-1267, 2011, doi: 10.1109/TIE.2010.2048839.
- [35] P. Brogan, T. Knuettel, D. Elliott and N. Goldenbaum, "Experience of grid forming power converter control," in *Proc. 17th Wind Integration Workshop*, Stockholm, Sweden, 2018, pp.1-7.
- [36] A. Roscoe, P. Brogan, D. Elliott, T. Knuettel, I. Gutierrez, J.-C. P. Campion and R. D. Silva, "Practical experience of operating a grid forming wind park and its response to system events," in *Proc. 18th Wind Integration Workshop*, Dublin, Ireland, 2019, pp. 1-6.
- [37] C. Li, R. Burgos, I. Cvetkovic, D. Boroyevich, L. Mili and P. Rodriguez, "Evaluation and control design of virtual-synchronous-machine-based STATCOM for grids with high penetration of renewable energy," in *Proc. 2014 IEEE Energy Conversion Congress and Exposition (ECCE)*, 2014, pp. 5652-5658, doi: 10.1109/ECCE.2014.6954176.
- [38] E. Spahic, C. P. Susai Sakkanna Reddy, M. Pieschel and R. Alvarez, "Multilevel STATCOM with power intensive energy storage for dynamic grid stability - Frequency and voltage support," in *Proc. IEEE Electrical Power and Energy Conference (EPEC)*, London, Ontario, Canada, 2015 pp. 73-80, doi: 10.1109/EPEC.2015.7379930.
- [39] D. Pagnani, F. Blaabjerg, C. L. Bak, F. Faria da Silva, L. H. Kocewiak and J. Hjerrild, "Offshore wind farm black start service integration: Review and outlook of ongoing research," *Energies*, vol. 13, no. 23, p. 1-23, 2020, doi: 10.3390/en13236286.

- [40] D. Dhua, G. Yang, Z. Zhang, Ł. H. Kocewiak and A. Timofejevs, "Harmonic active filtering and impedance-based stability analysis in offshore wind," in *16th Wind Integration Workshop*, Berlin, Germany, 2017, pp. 1-7.
- [41] Ł. Kocewiak, R. Blasco-Giménez, C. Buchhagen, J. B. Kwon, Y. Sun, A. Schwanka Trevisan, M. Larsson and X. Wang, "Overview, status and outline of stability analysis in converter-based power systems," in *Proc. 19th Wind Integration Workshop*, online, 2020, pp. 1-10.