

Theoretical possibilities of head transplant

Santanu Acharjee

Department of Mathematics, Gauhati University, Assam, India

e-mail: sacharjee326@gmail.com

Abstract:

Recently, Zielinski and Sokal [Zielinski, P., Sokal, P. (2016). Full spinal cord regeneration after total transection is not possible due to entropy change. *Medical Hypotheses*, 94, 63-65] proposed one hypothesis by considering three assumptions against the spinal cord regeneration after total transection. Thus, their claims are concluding that head transplant is not possible. But, using theoretical justifications, we show that head transplant is possible without any information loss. We design a spinal cord logic circuit bridge (SCLCB), which is a reversible logic circuit and thus, we show that there is no information loss.

2020 AMS Classifications: 92C50, 94C11.

Keywords: Spinal cord regeneration, entropy, laws of thermodynamics, head transplant, logic gates, SCLGB.

1 Background

In 2013, Canavero [1] announced that full head (or body) transplant of a human is possible. Since then, Canavero and Ren [2] have been facing criticisms. Often, ideas of Canavero [1] or related procedural developments by Canavero and Ren [3] are considered to be medically impossible tasks and unethical. One may find many articles on medical impossibilities as well as ethical issues related to head transplantation in human [4, 5, 6], but only a few groups are supporting possibilities of head transplantation in human [7, 8]. In short, Canavero's HEAVEN (The head anastomosis venture project) with spinal linkage (project GEMINI) [1] is a matter of discussion from various sides, in spite of Ren and Canavero's hope [7].

Amidst all the debates regarding possibilities and impossibilities related to head transplantation in human, an article [9] attracted our attention. In 2016, Zielinski and Sokal [9] considered a hypothesis and proved that full spinal cord regeneration after total transection is not possible. Their hypothesis concludes

that head transplant with cent percent success rate is not possible. Their hypothesis is cited below.

“The hypothesis is that full spinal cord restoration after transection is not possible due to irreversible loss of information about its structure, needed to restore the connections.”

To prove their hypothesis, Zielinski and Sokal [9] considered following three assumptions:

- There are two million of axons in the pyramidal tract in the cervical region and these axons are important for spinal cord regeneration and restoration of adequate quality of life of a patient.
- The second assumption is that the regeneration of damaged spinal cord should lead to axonal growth through the lesion site from the proximal end of the cord to the distal end and their re-connections with adequate target cells with loss of distal parts of axons, below the level of transection and there is an equal number of targets.
- The axonal growth of the severed spinal cord is made fully possible

Zielinski and Sokal [9] provided some basic mathematical justifications (using permutations) behind their claims, which cannot be neglected at first glance. They also claimed that there is a lack of mathematical background in this area of research and thus unnecessary expenditures of high research funds. But, in next section, we provide mathematical justifications and prove that head transplant with cent percent success rate is possible in theoretical sense.

2 Hypothesis

We consider the following hypothesis:

Head transplant is possible without any loss of information. Moreover, a logic circuit (SCLCB) can be used to transmit nerve signals in case of transection of spinal cord due to spinal cord injury.

3 Shannon entropy, uncertainty and information loss during head transplant

In [9], Zielinski and Sokal considered that there are two millions pyramidal axons in the spinal cord. They considered spinal cord as an open system whose entropy would be lost after injury. After transection due to injury, the proximal part and the distal part would be formed. Both of these parts would

have new entropy. Now, while reconnecting proximal part with distal part, if one makes incorrect re-connections, the brain may have some problems to re-organise, refining its own connectivity due to the brain plasticity [10]. Here, we develop related mathematics to show that head transplant is not possible in case of maximum uncertainty. Let us rename two millions pyramidal axons as $A_1, A_2, \dots, A_{2,000,000}$. If p_i be the probability of establishing correct interconnection of a pyramidal axons A_i from proximal part to its counter distal part, then $p_i = \frac{1}{2,000,000}$; $\forall i = 1, 2, \dots, 2,000,000$. In this case, if H_{random} be the Shannon entropy [11], then $H_{random} = -\sum_{i=1}^{2,000,000} p_i \log_2(p_i) = \log_2(2000000)$. Thus, maximum uncertainty is obtained when one wants to establish interconnections randomly. We consider an ideal hypothetical condition where interconnection after total transection will be done as same as before total transection. In this case, if p'_i be the probability of establishing correct interconnection of a pyramidal axons A_i from proximal part to its counter distal part, then $p'_i = 1$; $\forall i = 1, 2, \dots, 2,000,000$. Let H_{ideal} be the Shannon entropy [11] for this ideal case, then $H_{ideal} = -\sum_{i=1}^{2,000,000} p'_i \log_2(p'_i) = 0$. Thus, the entropy is zero i.e. there is no uncertainty only in case of ideal hypothetical case. Zielinski and Sokal [9] assumed random re-connections and thus obtained $2,000,000!$ permutations. But, why do we assume that neurosurgeons will establish random interconnections of pyramidal axons? In [13], Ren et al. discussed various medical methods along with experimental evidences regarding possibilities of spinal cord fusion, axons regeneration, etc. Moreover, they quoted the following paragraph from Busy et al. [14].

“The pyramidal tract is not essential to useful control of the skeletal musculature. In the absence of the corticospinal fibers, other fiber systems, particularly some multi-neuronal mechanism passing through the mesencephalic tegmentum, are capable of producing useful, well-coordinated, strong, and delicate movements of the extremities.”

Thus, the above paragraph encourages us to develop mathematical possibilities with functionally equivalent mechanism. Let us subdivide $2,000,000$ pyramidal axons into some classes based on their functional equivalence and non-functional equivalence mechanisms. Let F_1, F_2, \dots, F_K be k classes having functional equivalence mechanism and F_{K+1} is a class of pyramidal axons based on non-functional equivalence mechanism. We assume $|F_1| + |F_2| + \dots + |F_K| = 2,000,000 - n$ and $|F_{K+1}| = n$, where $n \ll 2,000,000$. Due to functional equivalence mechanism, Shannon entropy for class F_i (symbolically H_{F_i}) is zero, for $i = 1, 2, 3, \dots, k$ and $H_{F_{k+1}} = \log_2(n)$ due to non-functional equivalence. If $H_{functional}$ be the entropy based on functional equivalence and non-functional equivalence mechanisms, then due to Shannon [9], we obtain $H_{functional} = \sum_{i=1}^{k+1} H_{F_i} = \log_2(n)$. Since $n \ll 2,000,000$, thus $H_{ideal} \leq H_{functional} < H_{random}$. Thus, it can be concluded mathematically that functions will be restored due to re-connections as long as the mismatch is not extreme [9]. Since, entropy of information theory is connected to the second law of thermodynamics [15], thus we urged against the claim of Zielinski and Sokal

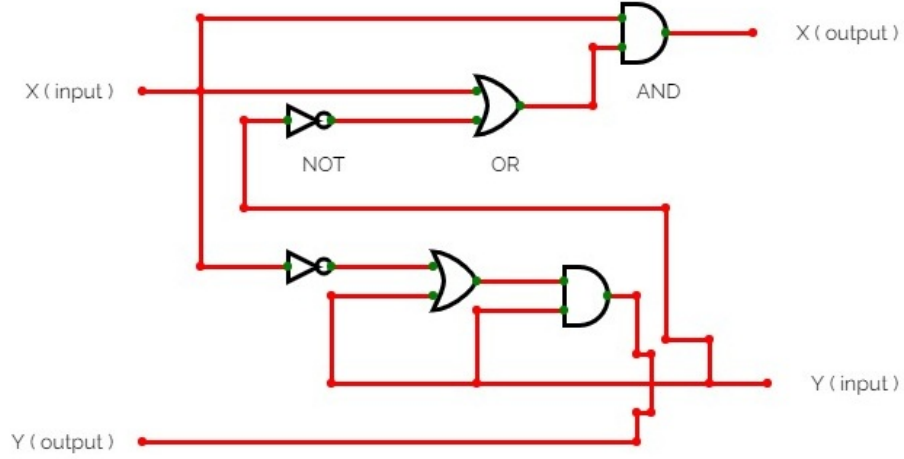


Figure 1: Spinal Cord Logic Circuit Bridge (SCLCB)

[9]. Hence, we conclude that spinal cord regeneration is theoretically possible if neurosurgeons identify classes F_i s with functional equivalence mechanisms at most matching.

4 Spinal Cord Logic Circuit Bridge (SCLCB)

Recently, Nie et al.[16] showed that nerve signal transmission after spinal cord injury is possible in quantum realm and thus, they proposed spinal cord quantum bridge (SCQB). This inspires us to built a logic circuit using only three logical operators AND, OR, and NOT. Figure 1 shows a logic circuit which takes input X and input Y in right and left side respectively. Again, it gives output Y and output X in right and left side respectively. We call this logic circuit as Spinal Cord Logic Circuit Bridge (SCLCB).

In (a) of figure 2, an injured spinal cord is shown, which is transected. Here, X represents transmission of nerve signals in upward direction and Y represents transmission of nerve signals in downward direction. More elaborately, X represents transmission of sensory nerve signals from peripheral nerves to central nerves and Y represents transmission of motor nerve signals from central nerves to outer peripheral nerves. But, due to transection of spinal cord, transmission of X and Y are stopped. In (b) of figure 2, we implant SCLCB between two breakpoints Part A and Part B. While implanting SCLCB, we are to connect

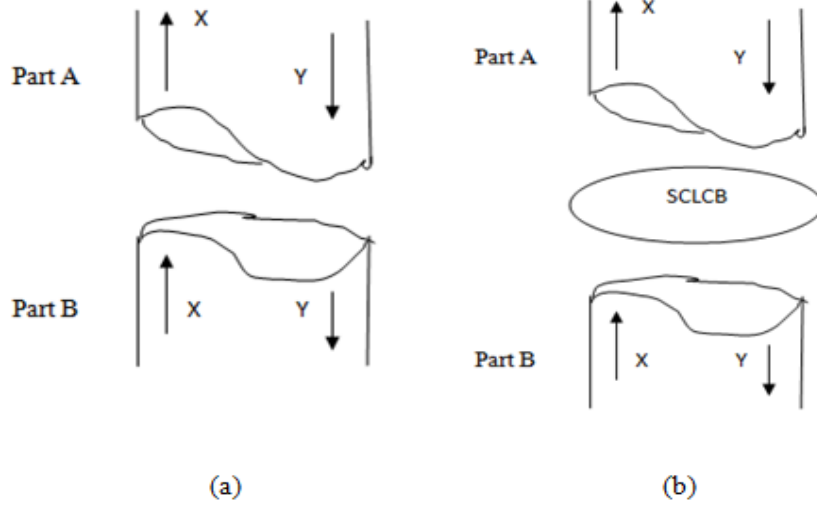


Figure 2: (a) Spinal cord injured (SCI) and transected (b) SCLCB between transected spinal cord

X(input) and Y(output) in Part B and X(output) and Y(input) in Part A of transected spinal cord. SCLCB has the property that it takes both the signals X and Y simultaneously as inputs at time t_1 and transmit signals X and Y as outputs at time t_2 . For example, if we consider $X=1$ and $Y=1$ as inputs at time t_1 i.e. signals transmit in both directions at time t_1 , then we can easily check that SCLCB gives outputs $X=1$ and $Y=1$ at time t_2 . One may check for other three cases of inputs viz. (i) $X=1$ and $Y=0$ (ii) $X=0$ and $Y=1$, and (iii) $X=0$ and $Y=0$. Thus, we propose that SCLCB can be implant between two parts of spinal cord after transection due to spinal cord injury. Thus, we propose that transmissions of nerve signals are possible in SCLCB. Since, both SCLCB and SCQB [16] show the possibilities to transmit nerve signals during spinal cord injury, thus we theoretically predict that head transplant is possible.

5 Information loss in digital circuit and SCLCB

Recently, Hänninen et al. [17] established methodologies to quantify irreversible information loss in digital circuits. The property of mapping a set of input bits onto a set of outputs in a logical operation is called logical reversibility [17]. In a logically reversible computation, the inputs can be known from the outputs. Physical reversibility occurs in an isolated system. According to Hänninen et al. [17], a logically irreversible computation can be obtained in an isolated system.

One may refer to Keyes and Landauer [20] for energy dissipation in logic gates. We cite the following paragraph from Hänninen et al. [17].

“One bit can be in two states, so the associated entropy is $S = k_{\beta} \ln 2$. Erasing an unknown bit, changing either 0 or 1 to a NULL state, means there is a transfer of this entropy to the environment with associated free energy:

$$\Delta E = TS = k_{\beta} T \ln 2.$$

Thus a physical implementation of a bit ensure or any logical operation that loses 1 bit of information must necessarily dissipate an amount of heat greater than or equal to ΔE .”

In case of logical reversible computation, if the computation can be made sufficiently slow, then dissipation of arbitrary small amount of energy is occurred [21]. This claim is quite similar to the claim made by Ren et al. [13] in favour of extremely sharp cut. Moreover, Bennett [21] suggested that minimisation of the energy dissipation can be obtained near thermodynamic equilibrium. Thus, our ideas of functionally equivalent mechanism and $H_{functional}$ are important for neurosurgeons for head transplantation. Bennett [21] showed that a logically irreversible computation can be made logically reversible in each step. But, it is important to note that SCLCB is reversible logical circuit because one can determine both the inputs from the outputs [17]. Thus, there is no case of information loss. Hence, we can conclude that there is no dissipation of energy in SCLCB [20, 21]. More suitable chemical and electronic technologies viz. molecular logic gates [23], electronic circuit design [22], etc. may be used to make SCLCB more effective. Recently, clinical trials on partial restoration of spinal cord neural continuity were done [18, 19]. Thus, we should remain optimistic about head transplant. So, we can justify our hypothesis.

6 Conclusion

Zielinski and Sokal [9] predicted that full spinal cord regeneration after total transection is not possible due to entropy change, and thus it concluded indirectly that head transplant is impossible. To predict, they considered three assumptions. In this paper, considering the same assumptions we proved that head transplant is possible. We showed that functional equivalence mechanisms yield less information loss. Moreover, we design the spinal cord logic circuit bridge (SCLCB) as a technical measure for transmission of nerve signals through spinal cords after transection due to spinal cord injury. Both SCLCB and SCQB of [16] show the possibilities of head transplantation in theoretical sense. Since, the procedure of head transplantation requires sophistication in medical and engineering technologies, thus we assume that the domain of head transplant attract attention of several interdisciplinary fields.

Competing interests: The author has no conflict of interest.

Funding statement: No funding received.

Ethical approval/Ethical approval: Not required.

References

- [1] Canavero, S. (2013). HEAVEN: The head anastomosis venture project outline for the first human head transplantation with spinal linkage (GEMINI). *Surgical Neurology International*, 4(Suppl 1), S335.
- [2] Ren, X., Canavero, S. (2017). HEAVEN in the making: Between the rock (the academe) and a hard case (a head transplant). *AJOB Neuroscience*, 8(4), 200-205.
- [3] Canavero, S., Ren, X. (2016). Houston, GEMINI has landed: Spinal cord fusion achieved. *Surgical neurology international*, 7(Suppl 24), S626.
- [4] Furr, A., Hardy, M. A., Barret, J. P., Barker, J. H. (2017). Surgical, ethical, and psychosocial considerations in human head transplantation. *International Journal of Surgery*, 41, 190-195.
- [5] Wolpe, P. R. (2017). Ahead of our time: Why head transplantation is ethically unsupportable. *AJOB Neuroscience*, 8(4), 206-210.
- [6] Suskin, Z. D., Giordano, J. J. (2018). Body-to-head transplant; a” capital” crime? Examining the corpus of ethical and legal issues. *Philosophy, Ethics, and Humanities in Medicine*, 13(1), 1-6.
- [7] Ren, X., Canavero, S. (2017). From hysteria to hope: The rise of head transplantation. *International Journal of Surgery*, 41(5), 203-4.
- [8] Iamsakul, K., Pavlovicik, A. V., Calderon, J. I., Sanderson, L. M. (2017). PROJECT HEAVEN: Preoperative training in virtual reality. *Surgical Neurology International*, 8:59.
- [9] Zielinski, P., Sokal, P. (2016). Full spinal cord regeneration after total transection is not possible due to entropy change. *Medical Hypotheses*, 94, 63-65.
- [10] Lundborg, G. (2003). Nerve injury and repair—a challenge to the plastic brain. *Journal of the Peripheral Nervous System*, 8(4), 209-226.
- [11] Shannon, C. E. (1948). A mathematical theory of communication. *The Bell system technical journal*, 27(3), 379-423.
- [12] Rényi, A. (1961). On measures of entropy and information. In *Proceedings of the Fourth Berkeley Symposium on Mathematical Statistics and Probability, Volume 1: Contributions to the Theory of Statistics (Vol. 4, pp. 547-562)*. University of California Press.

- [13] Ren, X., Kim, C. Y., Canavero, S. (2019). Bridging the gap: spinal cord fusion as a treatment of chronic spinal cord injury. *Surgical neurology international*, 10.
- [14] Bucy, P. C., Keplinger, J. E., Siqueira, E. B. (1964). Destruction of the “pyramidal tract” in man. *Journal of neurosurgery*, 21(5), 385-398.
- [15] Duncan, T. L., Semura, J. S. (2007). Information loss as a foundational principle for the second law of thermodynamics. *Foundations of Physics*, 37(12), 1767-1773.
- [16] Nie, M., Zhang, L., Yang, G. (2013). The bidirectional relay transmission of nerve signal after spinal cord injury based on quantum entanglement. In *Proceedings of 2013 3rd International Conference on Computer Science and Network Technology*, 1174-1177, IEEE.
- [17] Haenninen, I. K., Lent, C. S., Snider, G. L. (2014). Quantifying irreversible information loss in digital circuits. *ACM Journal on Emerging Technologies in Computing Systems*, 11(2), 1-17.
- [18] Ren, X., Zhang, W., Mo, J., Qin, J., Chen, Y., Han, J., Feng, S., Liang, H., Ren, S. (2022). Partial Restoration of Spinal Cord Neural Continuity via Sural Nerve Transplantation Using a Technique of Spinal Cord Fusion. *Frontiers in neuroscience*, 16.
- [19] Ren, X., Zhang, W., Qin, J., Mo, J., Chen, Y., Han, J., ... Ren, S. (2022). Partial restoration of spinal cord neural continuity via vascular pedicle hemisectioned spinal cord transplantation using spinal cord fusion technique. *CNS Neuroscience & Therapeutics*.00,1–13.
- [20] Keyes, R. W., Landauer, R. (1970). Minimal energy dissipation in logic. *IBM Journal of Research and Development*, 14(2), 152-157.
- [21] Bennett, C. H. (1973). Logical reversibility of computation. *IBM journal of Research and Development*, 17(6), 525-532.
- [22] Gift, S. J., Maundy, B. (2020). *Electronic Circuit Design and Application*. Springer Nature.
- [23] Liu, L., Liu, P., Ga, L., Ai, J. (2021). Advances in Applications of Molecular Logic Gates. *ACS omega*, 6(45), 30189-30204.