

Decomposition of Boolean networks: An approach to modularity of biological systems*

Claus Kadelka[†], Reinhard Laubenbacher[‡], David Murrugarra[§], Alan Veliz-Cuba[¶], and Matthew Wheeler^{||}

Abstract. This paper presents the foundation for a decomposition theory for Boolean networks, a type of discrete dynamical system that has found a wide range of applications in the life sciences, engineering, and physics. Given a Boolean network satisfying certain conditions, there is a unique collection of subnetworks so that the network can be reconstructed from these subnetworks by an extension operation. The main result of the paper is that this structural decomposition induces a corresponding decomposition of the network dynamics. The theory is motivated by the search for a mathematical framework to formalize the hypothesis that biological systems are modular, widely accepted in the life sciences, but not well-defined and well-characterized. As an example of how dynamic modularity could be used for the efficient identification of phenotype control, the control strategies for the network can be found by identifying controls in its modules, one at a time.

Key words. Boolean network, modularity, decomposition theory, fanout-free function, nested canalizing function, gene regulatory network

MSC codes. 37N25, 94C10, 92B05

1. Introduction. Building complicated structures from simpler building blocks is a widely observed principle in both natural and engineered systems. In molecular systems biology, it is also widely accepted, even though there has not emerged a clear definition of what constitutes a simple building block, or module. Consequently, it is not clear how the modular structure of a system can be identified, why it is advantageous to an organism to be composed of modular systems, and how we could take advantage of modularity to advance our understanding of molecular systems; see, e.g., [5, 7, 15]. In the (graph-theoretic) network representation of molecular systems, such as gene regulatory networks or protein-protein interaction networks, a module refers to a “highly” connected region of the graph that is “sparsely” connected to the rest of the graph, otherwise known as communities in graphs. Graph search algorithms that depend on the choice of parameters are used to define modules. Similar approaches are

*Currently under peer review.

Funding: C.K. was partially supported by the Simons Foundation grant 712537. R.L. was partially supported by the following grants: NIH grants R01AI135128-01, R01GM127909-01, and U01EB024501-01; and NSF grant CBET-1750183. D.M. was partially supported by a Collaboration grant (850896) from the Simons Foundation. A.V.C. was partially supported by the Simons Foundation grant 516088. M.W. was partially supported under the Keck Foundation Medical Research Grant 994413.

[†]Department of Mathematics, Iowa State University, Ames, IA (ckadelka@iastate.edu, <https://faculty.sites.iastate.edu/ckadelka/>).

[‡]Department of Medicine, University of Florida, Gainesville, FL (reinhard.laubenbacher@medicine.ufl.edu, <https://directory.uflhealth.org/laubenbacher-reinhard>).

[§]Department of Applied Mathematics, University of Kentucky, Lexington, KY (murrugarra@uky.edu, <https://sites.google.com/view/murrugarra/home>).

[¶]Department of Mathematics, University of Dayton, Dayton, OH (avelizcuba1@udayton.edu).

^{||}Department of Medicine, University of Florida, Gainesville, FL (mwheeler1@ufl.edu).

used for identifying modules in co-expression networks based on clustering of transcriptomics data.

A further limitation of this approach to modularity is that it focuses entirely on static representations of gene regulatory networks and other systems. However, living organisms are dynamic, and need to be modeled and understood as dynamical systems. Modularity should have an instantiation as a dynamic feature. The most common types of models employed for this purpose are systems of ordinary differential equations and discrete models such as Boolean networks and their generalizations, providing the basis for a study of dynamic modularity. In recent years, there have been an increasing number of papers that take this point of view. The authors of [10] argue that dynamic modularity may be independent of structural modularity and identify examples of multifunctional circuits in gene regulatory networks that they consider dynamically modular but without any structural modularity underpinning this capability. A similar argument is made in [22] by analyzing a small gene regulatory network example. For another example of a similar approach see [4].

The literature on how modularity might have evolved and why it might be useful as an organizational principle cites as the most common reasons robustness, the ability to rapidly respond to changing environmental conditions, and efficiency in the control of response to perturbations. An interesting hypothesis has been put forward in [15], namely that a modular organization of biological structure can be viewed as a symmetry-breaking phase transition, with modularity as the order parameter.

This literature makes clear that research on the topic of modularity in molecular systems, both structural and dynamic, would be greatly advanced by clear definitions of the concept of module, both structural and dynamic. This would in particular help to decide whether and how structural and dynamic modularity are related, and it would provide a basis on which to distinguish between modularity and multistationarity of a dynamic regulatory network. To be of practical use, such a theory should include algorithms to decompose a dynamic network into structural and/or dynamic modules. At the same time, it would be of great practical value, for instance for synthetic biology, to understand how systems can be composed from modules that have specific dynamic properties.

The desire for algorithms has led us to look for guidance to mathematics, as a complement to biology. Many of the important mathematical theories in a wide range of fields are decomposition theories (e.g., algebra, topology, or geometry). Choosing the widely-used modeling framework of Boolean networks, we asked whether it is possible to identify meaningful concepts of modularity that, ideally, link both the structural and dynamic aspects. The concept of module we propose is structural, in terms of strongly connected components of the wiring diagram. This leads to an unambiguous decomposition into non-overlapping modules (Section 4.1). The surprising consequence is that this structural property also induces a decomposition of the network dynamics (Section 4.3). It also implies that the modules are organized in a hierarchical fashion, which has interesting implications for the control of such networks (Section 6). This provides evidence for the hypothesized advantages of a modular organization for an organism.

The main question to be answered at this point, unfortunately beyond the scope of this paper, is whether there is biological evidence that our concept of module and our dynamic decomposition theory does in fact reflect biological reality. As a preliminary study, we have

analyzed all 130 models in the database [11], with up to 320 nodes. The vast majority of them satisfy the criteria that define a module, qualifying them as “modular” in our theory. This raises the question why not more of these models have more than one module. One possible interpretation of this observation is that modules should be subnetworks that carry out key control functions in a cell. It would therefore not be surprising if there was a selection bias among systems biologists to focus their attention on such modules, given that larger networks are still challenging to build and analyze. A good starting point for a search for modules might be genome-scale co-expression networks that tend to show a larger number of modules (defined using graph connectivity measures).

For the purpose of this article, we will focus on the class of Boolean networks as a modeling paradigm. Recall that a Boolean network F on variables x_1, \dots, x_n can be viewed as a function on binary strings of length n , which is described coordinate-wise by n Boolean rules f_i in the x_i (or a subset thereof). Two directed graphs can be associated to F : one is the *wiring diagram* (also known as dependency graph) with nodes corresponding to the x_i . There is a directed edge from x_i to x_j if f_j depends on x_i . The *state space* of F has as nodes the 2^n binary strings. There is a directed edge from \mathbf{u} to \mathbf{v} if $F(\mathbf{u}) = \mathbf{v}$. Each connected component of the state space gives an attractor basin of F , a directed loop as a limit cycle, with trees feeding into the nodes in the loop.

Here we develop a concept of module for Boolean networks and a decomposition theory for Boolean networks that have special functional properties. We initially focused Boolean networks governed by so-called nested canalizing functions, a concept first introduced in [13], due to its implications for network dynamics. We and others have studied this class of Boolean functions and their networks extensively (see, e.g., [9, 6, 12, 14]). This class is restrictive enough and admits sufficiently rich mathematical structure to enable a decomposition theory, yet it is sufficiently general to capture almost all regulatory relationships that appear in published Boolean network models of GRNs [11]. Nested canalizing functions, in turn, are a special case of fanout-free Boolean functions. These have the property that they can be written in logical form so that each variable only occurs once. They form a subclass of the class of monotone functions, for which each variable is either an inhibitor or an activator, a biologically meaningful property. The condition of being fanout-free is sufficient for the decompositions described here.

Our concept of modularity is structural. A module of a Boolean network is a subnetwork that has a strongly connected wiring diagram. The strongly connected components are disjoint. Two components can be connected by edges going in one direction only. However, what might be considered our main result, this structural decomposition induces a dynamic decomposition that allows the reconstruction of the dynamics of the entire network from the dynamics of its modules in an algorithmic way. Conversely, we show how to construct networks by combining Boolean networks into a larger network that has them as modules. These two constructions, decomposition and combination, are inverse to each other for fanout-free and linear networks.

One rationale proposed for the modularity principle is that modules are key control units that are largely evolutionarily preserved and exist across species, whereas the assembly of modules provides evolutionary freedom. In order to provide an estimate for this evolutionary freedom we parametrized the different ways in which to assemble a given set of modules into

networks, in Section 5. Finally, in Section 6, we show how modularity has advantages for the purpose of control. We show that control targets can be identified one module at a time, taking into account the downstream effect of controls in upstream components. This is demonstrated with an example of a regulatory network important in cancer.

2. Background. In this section, we review some standard definitions and introduce the concepts of *canalization* and *fanout-freeness*. Throughout the paper, let \mathbb{F}_2 be the binary field with elements 0 and 1.

2.1. Boolean functions. The main class of Boolean functions that we consider in this paper will be fanout-free functions.

Definition 2.1. *A Boolean function is fanout-free if it can be written in logical format (using \wedge, \vee, \neg only) so that each variable appears only once.*

Example 2.2. The Boolean functions $f(x_1, x_2, x_3, x_4) = x_1 \wedge (\neg x_2 \vee (x_3 \wedge x_4))$ as well as $g(x_1, x_2, x_3, x_4) = (x_1 \wedge \neg x_2) \vee (x_3 \wedge x_4)$ are fanout-free. The threshold function

$$h(x_1, x_2, x_3) = (x_1 \wedge x_2) \vee (x_1 \wedge x_3) \vee (x_2 \wedge x_3) = \begin{cases} 1 & \text{if } \sum_i x_i > 1, \\ 0 & \text{otherwise,} \end{cases}$$

is not fanout-free.

The main reason for considering fanout-free functions is that they come with a natural choice of restriction, which we will discuss in more detail in Section 3.1. Common examples of fanout-free functions include conjunctive, disjunctive, AND-NOT functions, or more generally, nested canalizing functions.

Definition 2.3. *A Boolean function $f : \mathbb{F}_2^n \rightarrow \mathbb{F}_2$ depends on the variable x_i if there exists an $\mathbf{x} \in \mathbb{F}_2^n$ such that*

$$f(\mathbf{x}) \neq f(\mathbf{x} + e_i),$$

where e_i is the i th unit vector.

Definition 2.4. *A Boolean function $f : \mathbb{F}_2^n \rightarrow \mathbb{F}_2$ is nested canalizing with respect to the permutation $\sigma \in \mathcal{S}_n$, inputs a_1, \dots, a_n and outputs b_1, \dots, b_n , if*

$$f(x_1, \dots, x_n) = \begin{cases} b_1 & x_{\sigma(1)} = a_1, \\ b_2 & x_{\sigma(1)} \neq a_1, x_{\sigma(2)} = a_2, \\ b_3 & x_{\sigma(1)} \neq a_1, x_{\sigma(2)} \neq a_2, x_{\sigma(3)} = a_3, \\ \vdots & \vdots \\ b_n & x_{\sigma(1)} \neq a_1, \dots, x_{\sigma(n-1)} \neq a_{n-1}, x_{\sigma(n)} = a_n, \\ 1 + b_n & x_{\sigma(1)} \neq a_1, \dots, x_{\sigma(n-1)} \neq a_{n-1}, x_{\sigma(n)} \neq a_n. \end{cases}$$

The last line ensures that f actually depends on all n variables. From now on, we use the acronym *NCF* for nested canalizing function.

We restate the following powerful stratification theorem for reference, which provides a unique polynomial form for any Boolean function.

Theorem 2.5 ([6]). *Every Boolean function $f(x_1, \dots, x_n) \not\equiv 0$ can be uniquely written as*

$$(2.1) \quad f(x_1, \dots, x_n) = M_1(M_2(\cdots(M_{r-1}(M_r p_C + 1) + 1) \cdots) + 1) + q,$$

where each $M_i = \prod_{j=1}^{k_i} (x_{i_j} + a_{i_j})$ is a nonconstant extended monomial, p_C is the core

polynomial of f , and $k = \sum_{i=1}^r k_i$ is the canalizing depth. Each x_i appears in exactly one of

$\{M_1, \dots, M_r, p_C\}$, and the only restrictions are the following “exceptional cases”:

1. If $p_C \equiv 1$ and $r \neq 1$, then $k_r \geq 2$;
2. If $p_C \equiv 1$ and $r = 1$ and $k_1 = 1$, then $q = 0$.

When f is not canalizing (i.e., when $k = 0$), we simply have $p_C = f$.

Example 2.6. From the representation in Theorem 2.5, it is straight-forward to see that the Boolean function f from Example 2.2 is nested canalizing, and more generally, that any NCF is fanout-free. Further, g and h from Example 2.2 are not nested canalizing.

From Equation 2.1, we can directly derive an important summary statistic of NCFs.

Definition 2.7. ([12]) *Given an NCF $f(x_1, \dots, x_n)$ represented as in Equation 2.1, we call the extended monomials M_i the layers of f and define the layer structure as the vector (k_1, \dots, k_r) , which describes the number of variables in each layer. Note that $k_1 + \cdots + k_r = n$ and that by exceptional case 1 in Theorem 2.5, $k_r \geq 2$.*

Example 2.8. The Boolean functions

$$\begin{aligned} f(x_1, x_2, x_3, x_4) &= x_1 \wedge (\neg x_2 \vee (x_3 \wedge x_4)) = x_1 [x_2 [x_3 x_4 + 1] + 1], \\ g(x_1, x_2, x_3, x_4) &= x_1 \wedge (\neg x_2 \vee x_3 \vee x_4) = x_1 [x_2 (x_3 + 1) (x_4 + 1) + 1] \end{aligned}$$

are nested canalizing. f consists of three layers with layer structure $(1, 1, 2)$, while g possesses only two layers and layer structure $(1, 3)$.

2.2. Boolean Networks.

Definition 2.9. *A Boolean network is an n -tuple of coordinate functions $F := (f_1, \dots, f_n)$, where $f_i: \mathbb{F}_2^n \rightarrow \mathbb{F}_2$. Each function f_i uniquely determines a map*

$$F_i: \mathbb{F}_2^n \longrightarrow \mathbb{F}_2, \quad F_i: (x_1, \dots, x_n) \longmapsto (x_1, \dots, f_i(x), \dots, x_n),$$

where $x = (x_1, \dots, x_n)$. Every Boolean network defines a canonical map, where the functions are synchronously updated:

$$F: \mathbb{F}_2^n \longrightarrow \mathbb{F}_2^n, \quad F: (x_1, \dots, x_n) \longmapsto (f_1(x), \dots, f_n(x)).$$

In this paper, we only consider this canonical map, i.e., we only consider synchronously updated Boolean network models. Frequently, we use the terms *fanout-free network* or *nested canalizing network*, which simply means Boolean networks where all update rules are from the respective family of functions.

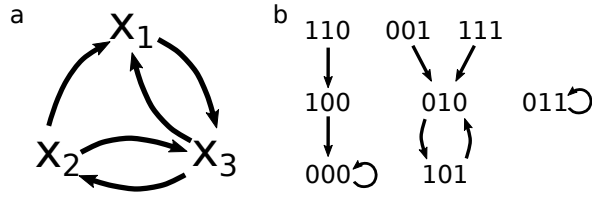


Figure 1. Wiring diagram and state space of the Boolean network in Example 2.11-2.18. (a) The wiring diagram encodes the dependency between variables. (b) The state space is a directed graph with edges between all states and their images. This graph therefore encodes all possible trajectories.

Definition 2.10. The wiring diagram of a Boolean network $F = (f_1, \dots, f_n) : \mathbb{F}_2^n \rightarrow \mathbb{F}_2^n$ is the directed graph with vertices x_1, \dots, x_n and an edge from x_i to x_j if f_j depends on x_i .

Example 2.11. Figure 1a shows the wiring diagram of the Boolean network $F : \mathbb{F}_2^3 \rightarrow \mathbb{F}_2^3$ given by

$$F(x_1, x_2, x_3) = (x_2 \wedge \neg x_3, x_3, \neg x_1 \wedge x_2).$$

2.3. Dynamics of Boolean networks. There are two ways to describe the dynamics of a Boolean network $F : \mathbb{F}_2^n \rightarrow \mathbb{F}_2^n$, (i) as trajectories for all 2^n possible initial conditions, or (ii) as a directed graph with nodes in \mathbb{F}_2^n . Although the first description is less compact, it will allow us to formalize the dynamics of coupled networks.

Definition 2.12. A trajectory of a Boolean network $F : \mathbb{F}_2^n \rightarrow \mathbb{F}_2^n$ is a sequence $(x(t))_{t=0}^{\infty}$ of elements of \mathbb{F}_2^n such that $x(t+1) = F(x(t))$ for all $t \geq 0$.

Example 2.13. For the example network above, $F(x_1, x_2, x_3) = (x_2 \wedge \neg x_3, x_3, \neg x_1 \wedge x_2)$, there are $2^3 = 8$ possible initial states giving rise to the following trajectories (commas and parenthesis for states are omitted for brevity).

$$\begin{aligned} T_1 &= (000, 000, 000, 000, \dots) \\ T_2 &= (001, 010, 101, 010, \dots) \\ T_3 &= (010, 101, 010, 101, \dots) \\ T_4 &= (011, 011, 011, 011, \dots) \\ T_5 &= (100, 000, 000, 000, \dots) \\ T_6 &= (101, 010, 101, 010, \dots) \\ T_7 &= (110, 100, 000, 000, \dots) \\ T_8 &= (111, 010, 101, 010, \dots) \end{aligned}$$

We can see that T_3 and T_6 are periodic trajectories with period 2. Similarly, T_1 and T_4 are periodic with period 1. All other trajectories eventually reach one of these 4 states.

When seen as trajectories, T_3 and T_6 are different, but they can both be encoded by the fact that $F(0, 1, 0) = (1, 0, 1)$ and $F(1, 0, 1) = (0, 1, 0)$. Similarly, T_1 and T_4 can be encoded by the equalities $F(0, 1, 1) = (0, 1, 1)$, $F(0, 0, 0) = (0, 0, 0)$. This alternative, more compact way of encoding the dynamics of a Boolean network is the standard approach, which we formalize next.

Definition 2.14. *The state space of a (synchronously updated) Boolean network $F : \mathbb{F}_2^n \rightarrow \mathbb{F}_2^n$ is a directed graph with vertices in \mathbb{F}_2^n and an edge from x to y if $F(x) = y$.*

Example 2.15. Figure 1b shows the state space of the (synchronously updated) Boolean network from Example 2.11.

From the state space, one can easily obtain all periodic points, which form the attractors of the network.

Definition 2.16. *The space of attractors for a Boolean network is the collection $\mathcal{D}(F)$ of all minimal subsets $\mathcal{C} \subseteq \mathbb{F}_2^n$ satisfying $F(\mathcal{C}) = \mathcal{C}$.*

1. *The subset $\mathcal{D}^1(F) \subset \mathcal{D}(F)$ of sets of exact size 1 consists of all steady states (also known as fixed points) of F .*
2. *The subset $\mathcal{D}^r(F) \subset \mathcal{D}(F)$ of sets of exact size r consists of all cycles of length r of F .*

Equivalently, an attractor of length r is an ordered set with r elements, $\mathcal{C} = \{c_1, \dots, c_r\}$, such that $F(c_1) = c_2, F(c_2) = c_3, \dots, F(c_{r-1}) = c_r, F(c_r) = c_1$.

Remark 2.17. In the case of steady states, the attractor $\mathcal{C} = \{c\}$ may be denoted simply by c .

Example 2.18. The Boolean network from Example 2.11 has 2 steady states (i.e., attractors of length 1) and one cycle of length 2, which can be easily derived from its state space representation (Figure 1b).

3. Simple networks. In this section, we define a subnetwork of a Boolean network as the restriction of that network to the variables of a subgraph of the wiring graph. Of importance will be those subnetworks whose wiring graph is strongly connected. These will be our simple networks, and we will show how multiple networks can be combined into a larger network. To begin, we introduce the idea of restrictions of Boolean functions and Boolean networks.

3.1. Restrictions of functions and networks. In order to define a subnetwork, we must have a prescribed definition of restriction. In general, one might define the restriction of a function f to a subset of its variables in a variety of ways. Each of these choices however may lead to a different subnetwork, with different dynamics.

Example 3.1. Consider the function

$$f(x_1, x_2, x_3) = (x_1 \wedge x_2) \vee (\neg x_1 \wedge x_3) = \begin{cases} x_2 & \text{if } x_1 = 1, \\ x_3 & \text{if } x_1 = 0. \end{cases}$$

In order to restrict f to the set $Y = \{x_2, x_3\}$, we have two choices. We may either set $x_1 = 1$ in which case $f|_Y = x_2$, or we can set $x_1 = 0$ yielding a different function $f|_Y = x_3$.

This example highlights that, in general, the restricted subnetwork depends on the specific choice of restriction and there is no clear choice for this restriction. For this reason, we consider here the class of fanout-free functions, which comes with a natural, unambiguous choice of restriction.

Definition 3.2. Given a fanout-free function $h : \mathbb{F}_2^n \rightarrow \mathbb{F}_2$ and a subset of its variables $Y \subset \{x_1, \dots, x_n\}$, we define the restriction of h to Y to be the function $h|_Y$ where for all $x_j \notin Y$ we set x_j as follows:

1. If h has the form $h = \dots(x_j \vee \dots)\dots$ or $h = \dots(\neg x_j \wedge \dots)\dots$, then set $x_j = 0$;
2. If h has the form $h = \dots(x_j \wedge \dots)\dots$ or $h = \dots(\neg x_j \vee \dots)\dots$, then set $x_j = 1$.

If h depends only on a single variable, i.e., $h = x_j$ or $h = \neg x_j$, and $x_j \notin Y$, then we set $h|_Y = 1$. Note that this arbitrary choice of the constant agrees with the treatment of this case in exceptional case 1 in Theorem 2.5.

Example 3.3. Consider the fanout-free function

$$h(x_1, x_2, x_3, x_4) = (x_1 \wedge \neg x_2) \vee (x_3 \wedge x_4).$$

If $Y = \{x_1, x_2, x_3\}$, then $h|_Y(x_1, x_2, x_3) = (x_1 \wedge \neg x_2) \vee (x_3 \wedge 1) = (x_1 \wedge \neg x_2) \vee x_3$. If $Y = \{x_1, x_4\}$, then $h|_Y(x_1, x_4) = (x_1 \wedge \neg 0) \vee (1 \wedge x_4) = x_1 \vee x_4$. Note that the restriction acts in a way that removal of the variables not in Y does not alter the dependency of $h|_Y$ on all variables in Y .

As nested canalizing functions make up a subset of fanout-free functions, they inherit this natural choice of restriction. Using the rules of Definition 3.2, the restriction of a nested canalizing function f to $Y \subset \{x_1, \dots, x_n\}$ is equivalent to setting all variables not in Y to their non-canalizing input values.

Example 3.4. Given the nested canalizing function

$$f(x_1, x_2, x_3) = \begin{cases} b_1 & x_1 = a_1, \\ b_2 & x_1 \neq a_1, x_2 = a_2, \\ b_3 & x_1 \neq a_1, x_2 \neq a_2, x_3 = a_3, \\ 1 + b_3 & x_1 \neq a_1, x_2 \neq a_2, x_3 \neq a_3, \end{cases}$$

and the subset $Y = \{x_1, x_3\}$, the restriction of f to Y is given by

$$f|_Y(x_1, x_3) = f(x_1, a_2 + 1, x_3) = \begin{cases} b_1 & x_1 = a_1, \\ b_3 & x_1 \neq a_1, x_3 = a_3, \\ 1 + b_3 & x_1 \neq a_1, x_3 \neq a_3. \end{cases}$$

Now that we have a notion for the restriction of Boolean functions, we can extend that notion to Boolean networks as a whole.

Definition 3.5. For a Boolean network $F = (f_1, \dots, f_n) : \mathbb{F}_2^n \rightarrow \mathbb{F}_2^n$ and $Y \subseteq \{x_1, \dots, x_n\}$, where without loss of generality we consider $Y = \{x_1, \dots, x_k\}$, we define the restriction of F to Y by $(F|_Y)_i = (f_i)|_Y$ for $i = 1, \dots, k$.

Example 3.6. Consider the Boolean network

$$F(x) = (x_2 \wedge x_1, \neg x_1, x_1 \vee \neg x_4, (x_1 \wedge \neg x_2) \vee (x_3 \wedge x_4))$$

with wiring diagram in Figure 2a. The restriction of this network to $Y = \{x_1, x_2\}$ is the 2-variable network $F|_Y(x_1, x_2) = (x_2 \wedge x_1, \neg x_1)$ with wiring diagram in Figure 2b, while the restriction of F to $Y = \{x_3, x_4\}$ is the 2-variable network $F|_Y(x_3, x_4) = (\neg x_4, x_3 \wedge x_4)$ with wiring diagram in Figure 2c. Note that the wiring diagram of $F|_Y$ is always a subgraph of the wiring diagram of F , irrespective of the choice of Y .

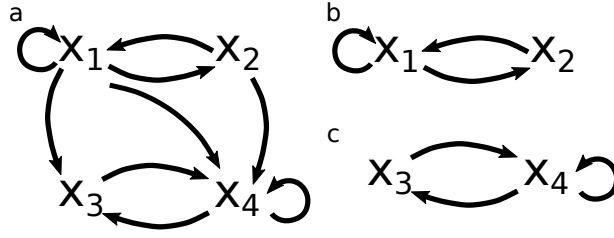


Figure 2. Boolean network decomposition. (a) Wiring diagram of a non-strongly connected Boolean network F . (b-c) Wiring diagram of F restricted to (b) $\{x_1, x_2\}$ and (c) $\{x_3, x_4\}$. These strongly connected components are the wiring diagrams of the simple networks of F .

3.2. Simple Networks. Having defined restrictions for the class fanout-free functions, we can now describe the elementary components that will be employed in our decomposition theory in Section 4. We will call these components *simple networks*, in analogy to the decomposition of a finite group into simple groups. These simple networks will be determined solely by the wiring diagram.

Definition 3.7. The wiring diagram of a Boolean network is strongly connected if every pair of nodes is connected by a directed path. That is, for each pair of nodes x_i, x_j in the wiring diagram with $x_i \neq x_j$ there exists a directed path from x_i to x_j (and vice versa). In particular, a one-node wiring diagram is strongly connected by definition.

Example 3.8. The wiring diagram in Figure 2a is not strongly connected but the wiring diagrams in Figure 2bc are strongly connected.

Definition 3.9. A Boolean network $F : \mathbb{F}_2^n \rightarrow \mathbb{F}_2^n$ is simple if its wiring diagram is strongly connected. If $n = 1$ and F 's wiring diagram has no edge (i.e., no self-regulation), we call the simple network F trivial.

Remark 3.10. For an arbitrary Boolean network F , its wiring diagram will either be strongly connected or it will be made up of a collection of strongly connected components where connections between each component move in only one direction.

Let F be a Boolean network and let W_1, \dots, W_m be the strongly connected components of its wiring diagram, with X_i denoting the set of variables in strongly connected component W_i . Then, the *simple subnetworks* of F are defined by $F|_{X_1}, \dots, F|_{X_n}$.

Definition 3.11. Let W_1, \dots, W_m be the strongly connected components of the wiring diagram of a Boolean network F . By setting $W_i \rightarrow W_j$ if there exists at least one edge from a vertex in W_i to a vertex in W_j , we obtain a (directed) acyclic graph

$$Q = \{(i, j) | W_i \rightarrow W_j\},$$

which describes the connections between the strongly connected components of F .

Example 3.12. For the Boolean network F from Example 2.11, the wiring diagram has two strongly connected components W_1 and W_2 with variables $X_1 = \{x_1, x_2\}$ and $X_2 = \{x_3, x_4\}$ (Figure 2bc), connected according to the directed acyclic graph $Q = \{(1, 2)\}$. The two simple networks of F are given by the restriction of F to X_1 and X_2 , that is, $F|_{X_1}(x_1, x_2) = (x_2 \wedge$

$x_1, \neg x_1$) and $F|_{X_2}(x_3, x_4) = (\neg x_4, x_3 \wedge x_4)$. Note that the simple network $F|_{X_1}$, i.e., the restriction of F to X_1 , is simply the projection of F onto the variables X_1 because W_1 does not receive feedback from the other component (i.e., because $(2, 1) \notin Q$).

So far we have described how to formally define and describe restrictions and simple networks. We now define a semi-direct product that combines two networks.

Definition 3.13. Consider two Boolean networks, $F = (f_1, \dots, f_k) : \mathbb{F}_2^k \rightarrow \mathbb{F}_2^k$ with variables $\{x_1, \dots, x_k\}$ and $G = (g_1, \dots, g_r) : \mathbb{F}_2^r \rightarrow \mathbb{F}_2^r$ with variables $\{y_1, \dots, y_r\}$. Let $P = \{(y_i, p_i)\}_{i \in \Lambda}$ where $\Lambda \subset \{1, \dots, r\}$, $p_i : \mathbb{F}_2^{k+r} \rightarrow \mathbb{F}_2$, and $(p_i)|_{X_2} = g_i$. Then we define a new Boolean network $H = (h_1, \dots, h_{k+r}) : \mathbb{F}_2^{k+r} \rightarrow \mathbb{F}_2^{k+r}$ by

$$h_i(x, y) = f_i(x) \text{ for } 1 \leq i \leq k$$

and

$$h_{k+i}(x, y) = \begin{cases} p_i(x, y) & \text{if } i \in \Lambda, \\ g_i(y) & \text{if } i \notin \Lambda \end{cases}$$

for the other subindices.

We denote H as $H := F \rtimes_P G$ and refer to this as a coupling of F and G by (the coupling scheme) P or as the semi-direct product of F and G via P . If P is clear from the context (e.g., if the full network is given explicitly as in the previous example), we can omit P and just use the notation $F \rtimes G$.

Remark 3.14. Note that, by definition, $F \rtimes_P G$ restricted to X_1 and X_2 results in F and G ; that is, $(F \rtimes_P G)|_{X_1} = F$ and $(F \rtimes_P G)|_{X_2} = G$. This product is defined as long as there is a prescribed way to define a restriction. We have shown that fanout-free functions allow for a natural way to define the restriction to a set of variables (Definition 3.2). Linear functions constitute another family of Boolean functions where there is a natural definition of restriction. For example, the restriction of $f(x_1, x_2, x_3, x_4) = x_1 + x_2 + x_3 + x_4$ to $Y = \{x_1, x_4\}$ is simply $f|_Y(x_1, x_4) = x_1 + x_4$.

Example 3.15. Consider the Boolean networks

$$F(x_1, x_2) = (x_2, x_1) \quad \text{and} \quad G(y_1, y_2) = (y_2, y_1)$$

If we use the coupling scheme $P = \{(y_1, x_1 \vee (x_2 \wedge y_2)), (y_2, \neg x_2 \wedge y_1)\}$, we obtain the nested canalizing network $F \rtimes_P G : \mathbb{F}_2^4 \rightarrow \mathbb{F}_2^4$,

$$(F \rtimes_P G)(x_1, x_2, y_1, y_2) = (x_2, x_1, x_1 \vee (x_2 \wedge y_2), \neg x_2 \wedge y_1).$$

At the wiring diagram level, this product can be seen as the union of the two wiring diagrams and some added edges determined by the coupling scheme P (Figure 3).

Example 3.16. If $F(x_1, x_2) = (x_2, x_1)$ and $G(y_1, y_2) = (y_2, y_1)$, as before, and we use the coupling scheme $P = \{(y_1, x_1 + x_2 + y_2), (y_2, x_2 + y_1)\}$, then we obtain the linear network

$$(F \rtimes_P G)(x_1, x_2, y_1, y_2) = (x_2, x_1, x_1 + x_2 + y_2, x_2 + y_1).$$

At the wiring diagram level, this product also looks like Figure 3.

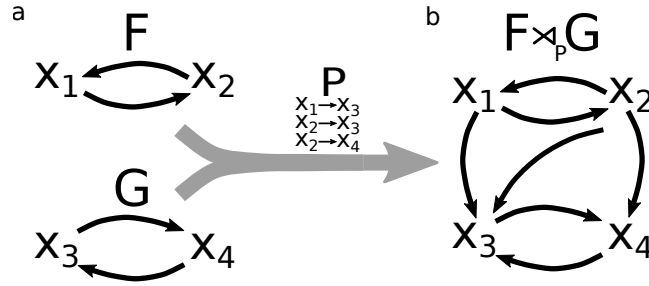


Figure 3. semi-direct product of Boolean networks. (a) Independent Boolean networks F and G and a coupling scheme P , which determines which edges to add between the wiring diagrams of F and G . (b) The resulting network is a semi-direct product of F and G by (the coupling scheme) P .

3.3. Cross product of networks. When $P = \emptyset$, $F_1 \times_{\emptyset} F_2 = F_1 \times F_2$ is simply a Cartesian product of networks. In this case the dynamics of $F = F_1 \times F_2$ can be determined directly from the dynamics of F_1 and F_2 .

Consider a network $F : \mathbb{F}_2^n \rightarrow \mathbb{F}_2^n$ such that the variables of F can be partitioned so that $F(x, y) = (F_1(x), F_2(y))$ for some Boolean networks $F_1 : \mathbb{F}_2^{n_1} \rightarrow \mathbb{F}_2^{n_1}$ and $F_2 : \mathbb{F}_2^{n_2} \rightarrow \mathbb{F}_2^{n_2}$ with $n = n_1 + n_2$. In this case, we can easily decompose F as a Cartesian product, $F = F_1 \times F_2$. Also, the wiring diagram of F is the disconnected union of the wiring diagrams of F_1 and F_2 .

The dynamics of F consists of coordinate pairs (x, y) such that

$$x(t+1) = F_1(x(t)), \quad y(t+1) = F_2(y(t)).$$

Furthermore, the trajectory $(x(t), y(t))_{t=0}^{\infty}$ of F is periodic if and only if $(x(t))_{t=0}^{\infty}$ and $(y(t))_{t=0}^{\infty}$ are periodic trajectories of F_1 and F_2 , respectively. This provides a way to decompose the dynamics of F as the product of the dynamics of F_1 and F_2 .

Lemma 3.17. *If trajectories $(x(t))_{t=0}^{\infty}$ and $(y(t))_{t=0}^{\infty}$ have periods m and l , respectively, then the trajectory $(x(t), y(t))_{t=0}^{\infty}$ has period $\text{lcm}(m, l)$.*

Proposition 3.18. *The set of periodic points of F is the Cartesian product of the set of periodic points of F_1 and periodic points of F_2 .*

Example 3.19. Consider $F : \mathbb{F}_2^4 \rightarrow \mathbb{F}_2^4$ given by $F(x_1, x_2, x_3, x_4) = (x_2, x_1, x_4, x_3)$. F can be seen as $F = F_1 \times F_2$, where $F_1(x_1, x_2) = (x_2, x_1)$ and $F_2(x_3, x_4) = (x_4, x_3)$. The dynamics of F_1 , F_2 , and F are shown in the left panel of Figure 4. The dynamics of F_1 is $\mathcal{D}(F_1) = \{00, 11, \{01, 10\}\}$ and the dynamics of F_2 is $\mathcal{D}(F_2) = \{00, 11, \{01, 10\}\}$ (note that we are denoting steady states $\mathcal{C} = \{c\}$ simply by c). By concatenating the attractors of F_1 and F_2 , we obtain the attractors of F . Note that we have two ways of concatenating $\{01, 10\}$ (attractor of F_1) and $\{01, 10\}$ (attractor of F_2) to obtain attractors of F . If we start at 0101 we obtain the attractor $\{0101, 1010\}$, and if we start at 0110 we obtain the attractor $\{0110, 1001\}$. This difference is captured by explicitly including both, $\{01, 10\}$ and $\{10, 01\}$, as periodic trajectories of F_2 (vertical axis). In this case, we can see that $\mathcal{D}(F)$ is the union of $00 \times \mathcal{D}(F_2)$, $11 \times \mathcal{D}(F_2)$, and $\{01, 10\} \times \mathcal{D}(F_2)$.

In the general case, F will not be a Cartesian product, but can be seen as the coupling of two or more networks.

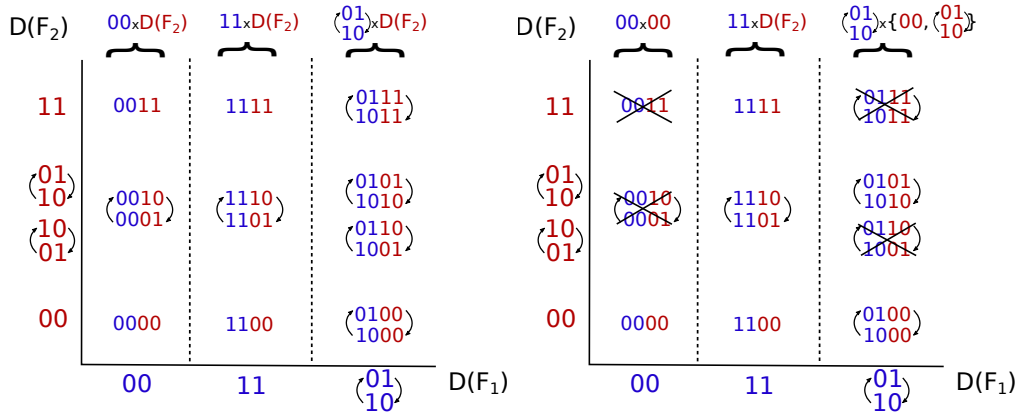


Figure 4. Dynamics of a Cartesian product and a semi-direct product. **Left:** The dynamics of a Cartesian product $F = F_1 \times F_2$ can be seen as a Cartesian product of $\mathcal{D}(F_1)$ and $\mathcal{D}(F_2)$. **Right:** The coupling of networks does not behave as a Cartesian product and the dynamics can vary due to this coupling. In this example, the crossed-out attractors indicate which attractors from the Cartesian product are lost when using a semi-direct product.

Example 3.20. Consider $F : \mathbb{F}_2^4 \rightarrow \mathbb{F}_2^4$ given by $F(x_1, x_2, x_3, x_4) = (x_2, x_1, x_2x_4, x_3)$. F can be seen as $F = F_1 \times_P F_2$, where $F_1(x_1, x_2) = (x_2, x_1)$ and $F_2(x_3, x_4) = (x_4, x_3)$, as before, but $P = \{(x_3, x_2x_4)\}$ is no longer empty. The dynamics of F_1, F_2 and F are shown in right panel of Figure 4. The dynamics of F_1 is $\mathcal{D}(F_1) = \{00, 11, \{01, 10\}\}$ and the dynamics of F_2 is $\mathcal{D}(F_2) = \{00, 11, \{01, 10\}\}$. Since F is not the Cartesian product of F_1 and F_2 , we cannot simply take a Cartesian product of dynamics. Due to the coupling between F_1 and F_2 , not every combination of attractors of F_1 and F_2 will result in an attractor of F . The products that do not result in an attractor of F are crossed out in the figure. Note that $\{01, 10\} \in \mathcal{D}(F_1)$ and $\{01, 10\} \in \mathcal{D}(F_2)$ **do** give rise to an attractor of F , but $\{01, 10\} \in \mathcal{D}(F_1)$ and $\{10, 01\} \in \mathcal{D}(F_2)$ **do not**. In this case, we can see that $\mathcal{D}(F)$ is the union of 00×00 , $11 \times \mathcal{D}(F_2)$, and $\{01, 10\} \times \{00, \{01, 10\}\}$. Here the dynamics of the coupled network is actually a subset of the dynamics of the Cartesian product. In general, this is not the case but depends on the particular coupling between the networks as will be seen in Section 4.3.

4. Decomposing networks and network dynamics.

4.1. Decomposing a network. Example 3.20 shows that the dynamics of a network can in some ways be seen as a combination of the dynamics of each of its simple networks. Our decomposition theorems in this section formalize this combination. We will show that every network admits a decomposition into a semi-direct product of simple networks, and we formalize how the dynamics of a network can be constructed from this decomposition. In what follows, we will assume that all Boolean networks are fanout-free but all results still apply in more generality for networks governed by a class of functions with a prescribed restriction (e.g., linear functions, see Remark 3.14).

Theorem 4.1. *If a Boolean network F is not simple, then there exist F_1, F_2, P such that $F = F_1 \times_P F_2$. Furthermore, we can find a decomposition such that F_1 is simple.*

Proof. Let $F = (f_1, \dots, f_n)$ be a Boolean network with variables $X = \{x_1, \dots, x_n\}$ which is not simple. Then the wiring diagram of F is not strongly connected meaning there exists at least one node y and one node $x_j \neq y$ such that in the wiring diagram of F there exists no path from x_j to y . Let X_2 denote the set of all such nodes $X_2 = \{x_{j_1}, x_{j_2}, \dots, x_{j_m}\}$, for which there exists no paths to y . Further, let $X_1 = X \setminus X_2$ denote the complement set of nodes to X_2 . Note that for every $x_i \in X_1$, there exists a path from x_i to y but no paths originating from X_2 to x_i .

Define Λ to be the subset of indices $\Lambda \subset \{j_1, \dots, j_m\}$ such that f_{j_i} depends on at least one $x_i \in X_1$. Note that Λ may be empty. Let $F_1 = F|_{X_1}$, $F_2 = F|_{X_2}$ and $P = \{(x_i, f_i)\}_{i \in \Lambda}$. We claim that $F = F_1 \rtimes_P F_2$.

If $\Lambda = \emptyset$, then the sets X_1 and X_2 represent two groups of nodes, which are disconnected in the wiring diagram. Hence the network F is a Cartesian product of F_1 and F_2 . It follows that $F = F_1 \rtimes_P F_2$ where $P = \emptyset$.

Now suppose $\Lambda \neq \emptyset$. We distinguish three cases to show that $F = F_1 \rtimes_P F_2$.

1. For any $x_i \in X_1$, the corresponding update function $(F_1)_i$ does not depend on X_2 by construction, as there are no paths from X_2 to x_i . Thus by definition, $(F_1)_i := (F|_{X_1})_i = f_i|_{X_1} = f_i$.
2. For any $x_i \in X_2$ with $i \in \Lambda$, we have $(F_2)_i := (F|_{X_2})_i = f_i|_{X_2}$ as defined by P .
3. For any $x_i \in X_2$ with $i \notin \Lambda$, by definition of Λ , f_i does not depend on X_1 . Thus, $(F_2)_i := (F|_{X_2})_i = f_i|_{X_2} = f_i$.

Hence it follows that $F = F_1 \rtimes_P F_2$.

Note that in the above proof we can choose the node y such that it belongs to a strongly connected component that receives no edge from any other strongly connected component. X_1 will contain the nodes of this strongly connected component and hence F_1 will be simple. ■

Definition 4.2. *A Boolean network F is decomposable if there exist networks F_1 and F_2 and a coupling scheme P such that $F = F_1 \rtimes_P F_2$.*

Recall that each Boolean network has an associated directed acyclic graph Q , determined by the connections between strongly connected components of the wiring diagram. This acyclic graph can be extended to a partial order on the set of strongly connected components encoding which nodes are “upstream” or “downstream” from a particular module.

Our first main result shows that any Boolean network is either simple or decomposable into a unique series of semi-direct product of simple Boolean networks.

Theorem 4.3. *If a Boolean network F is not simple, then there exist unique simple networks F_1, \dots, F_m such that*

$$F = F_1 \rtimes_{P_1} (F_2 \rtimes_{P_2} (\dots \rtimes_{P_{m-1}} F_m)),$$

where this representation is unique up to a reordering, which respects the partial order of Q , and the collection of pairings P_1, \dots, P_{m-1} depends on the particular choice of ordering.

Proof. By induction on the downstream component F_2 in Theorem 4.1 we obtain the result.

Remark 4.4. The parentheses of the representation of F as a decomposition into simple networks may be rearranged in any associative manner. However each choice determines a

new collection of pairings P'_1, \dots, P'_{m-1} .

The main takeaway is that every Boolean network is either a simple network or it admits a decomposition into a semi-direct product of simple networks.

4.2. Non-autonomous networks. In order to study the coupling of networks, we need to understand how a trajectory, which will describe an attractor of an “upstream” network, influences the dynamics of a “downstream” network. This can be studied using the concept of non-autonomous networks.

Definition 4.5. A non-autonomous Boolean network is defined by

$$y(t+1) = H(g(t), y(t)),$$

where $H : \mathbb{F}_2^{m+n} \rightarrow \mathbb{F}_2^n$ and $(g(t))_{t=0}^\infty$ is a sequence with elements in \mathbb{F}_2^m . We call this type of network non-autonomous because its dynamics will depend on $g(t)$. We use H^g to denote this non-autonomous network.

A state $c \in \mathbb{F}_2^n$ is a steady state of H^g if $H(g(t), c) = c$ for all t . Similarly, an ordered set with r elements, $\mathcal{C} = \{c_1, \dots, c_r\}$ is an attractor of length r of H^g if $c_2 = H(g(1), c_1)$, $c_3 = H(g(2), c_2)$, \dots , $c_r = H(g(r-1), c_{r-1})$, $c_1 = H(g(r), c_r)$, $c_2 = H(g(r+1), c_1)$, \dots . Note that in general $g(t)$ is not necessarily of period r and may even not be periodic.

If $H(g(t), y) = G(y)$ for some network G (that is, it does not depend on x) for all t , then $y(t+1) = H(g(t), y(t)) = G(y(t))$ and this definition of attractors coincides with the classical definition of attractors for (autonomous) Boolean networks (Definition 2.16).

Example 4.6. Consider the non-autonomous network defined by

$$H(x_1, x_2, y_1, y_2) = (x_2 y_2, y_1)$$

and the two-periodic sequence $(g(t))_{t=0}^\infty = (01, 10, 01, 10, \dots)$. If the initial point is $y(0) = (y_1^*, y_2^*)$, then the dynamics of H^g can be computed as follows:

$$\begin{aligned} y(1) &= H(g(0), y(0)) = H(0, 1, y_1^*, y_2^*) = (y_2^*, y_1^*), \\ y(2) &= H(g(1), y(1)) = H(1, 0, y_2^*, y_1^*) = (0, y_2^*), \\ y(3) &= H(g(2), y(2)) = H(0, 1, 0, y_2^*) = (y_2^*, 0). \end{aligned}$$

Thus for $t \geq 1$, $y(2t) = (0, y_2^*)$ and $y(2t+1) = (y_2^*, 0)$. It follows that the attractors of H^g are given by $\{00\}$ (one steady state) and $\{01, 10\}$ (one cycle of length 2). Note that $\{10, 01\}$ is not an attractor because $(10, 01, 10, 01, \dots)$ is not a trajectory for this non-autonomous network. This is a subtle situation that can be sometimes missed when using the compact representation of an attractor as a set, but is explicitly handled by the trajectory representation.

Example 4.7. Consider the non-autonomous network defined by $H(x_1, x_2, y_1, y_2) = (x_2 y_2, y_1)$, as in the previous example, and the one-periodic sequence $(g(t))_{t=0}^\infty = (00, 00, \dots)$. If the initial point is $y(0) = (y_1^*, y_2^*)$, then the dynamics of H^g can be computed as follows:

$$\begin{aligned} y(1) &= H(g(0), y(0)) = H(0, 0, y_1^*, y_2^*) = (0, y_1^*), \\ y(2) &= H(g(1), y(1)) = H(0, 0, y_2^*, y_1^*) = (0, 0). \end{aligned}$$

Then, $y(t) = (0, 0)$ for $t \geq 2$, and the only attractor of H^g is the steady state $\{00\}$.

4.3. Decomposing dynamics. For a decomposable network $F := F_1 \times_P F_2$, we introduce the following notation for attractors. First, note that F has the form $F(x, y) = (F_1(x), \overline{F_2}(x, y))$ where $\overline{F_2}$ is a non-autonomous network. Let $\mathcal{C}_1 = \{r_1, \dots, r_m\} \in \mathcal{D}(F_1)$ and $\mathcal{C}_2 = \{s_1, \dots, s_n\} \in \mathcal{D}(F_2^{\mathcal{C}_1}) := \mathcal{D}(\overline{F_2}^{\mathcal{C}_1})$ be attractors. By Lemma 3.17, we know that the sequence $((r_t, s_t))_{t=0}^\infty$ has period $l = \text{lcm}(m, n)$, so we define the sum or concatenation of these attractors to be

$$\mathcal{C}_1 \oplus \mathcal{C}_2 = ((r_1, s_1), (r_2, s_2), \dots, (r_{l-1}, s_{l-1})).$$

Note that the sum of attractors is not a Cartesian product, $\mathcal{C}_1 \times \mathcal{C}_2 = \{(r_i, s_j) \mid \text{for all } i, j\}$.

Similarly, for an attractor \mathcal{C}_1 and a collection of attractors D we define

$$\mathcal{C}_1 \oplus D = \{\mathcal{C}_1 \oplus \mathcal{C}_2 \mid \mathcal{C}_2 \in D\}.$$

To encode all $\mathcal{D}(F_2^{\mathcal{C}_1})$'s where $\mathcal{C}_1 \in \mathcal{D}(F_1)$, we use the notation

$$\mathcal{D}(F_2^{F_1}) := \left(\mathcal{D}(F_2^{\mathcal{C}_1}) \right)_{\mathcal{C}_1 \in \mathcal{D}(F_1)}$$

and refer to this as the *dynamics of F_2 induced by F_1* .

Our second main result shows that the dynamics of a semi-direct product can be seen as a type of semi-direct product of the dynamics of the simple networks.

Theorem 4.8. *Let $F = F_1 \times_P F_2$ be a decomposable network. Then*

$$\mathcal{D}(F) = \bigsqcup_{\mathcal{C}_1 \in \mathcal{D}(F_1)} \mathcal{C}_1 \oplus \mathcal{D}(F_2^{\mathcal{C}_1}).$$

Proof. Let $\mathcal{C} = \{c_1, \dots, c_n\} \in \mathcal{D}(F)$. Let $\mathcal{C}_1 = \text{pr}_1(\mathcal{C}) = \{\text{pr}_1(c_1), \dots, \text{pr}_1(c_n)\} =: \{c_1^1, \dots, c_n^1\}$ and similarly $\mathcal{C}_2 = \text{pr}_2(\mathcal{C}) =: \{c_1^2, \dots, c_n^2\}$. Since F_1 by definition does not depend in any way on X_2 , then $F_1(\text{pr}_1(x)) = \text{pr}_1(F(x))$. Thus for any c_j^1 ,

$$F_1(c_j^1) = F_1(\text{pr}_1(c_j)) = \text{pr}_1(F(c_j)) = \text{pr}_1(c_{j+1}) = c_{j+1}^1.$$

Iterating this, we find that in general $F_1^k(c_j^1) = c_{j+k}^1$ from which it follows that $\mathcal{C}_1 \in \mathcal{D}(F_1)$.

Next, we consider the non-autonomous network $\overline{F_2}^{\mathcal{C}_1}$ defined as above where $y(t+1) = \text{pr}_2 F(g(t), y(t))$, and $g(t) = c_t^1$. If $y(1) = c_1^2$, then

$$y(2) = \text{pr}_2 F(g(1), c_1^2) = \text{pr}_2 F(c_1^1, c_1^2) = \text{pr}_2 F(c_1) = \text{pr}_2(c_2) = c_2^2$$

and in general

$$y(k+1) = \text{pr}_2 F(g(k), c_k^2) = \text{pr}_2 F(c_k^1, c_k^2) = \text{pr}_2 c_{k+1} = c_{k+1}^2$$

Hence $y(n+1) = \text{pr}_2 F(c_n) = \text{pr}_2 c_1 = y(1)$ and thus $\mathcal{C}_2 \in \mathcal{D}(F_2^{\mathcal{C}_1})$. From this we have that $\mathcal{C} = \mathcal{C}_1 \oplus \mathcal{C}_2 \in \mathcal{C}_1 \oplus \mathcal{D}(F_2^{\mathcal{C}_1})$ and thus

$$\mathcal{D}(F) \subset \bigsqcup_{\mathcal{C}_1 \in \mathcal{D}(F)} \mathcal{C}_1 \oplus \mathcal{D}(F_2^{\mathcal{C}_1}).$$

Conversely, let $\mathcal{C}_1 \in \mathcal{D}(F_1)$ and $\mathcal{C}_2 \in \mathcal{D}(F_2^{\mathcal{C}_1})$. We want to show that $\mathcal{C}_1 \oplus \mathcal{C}_2 \in \mathcal{D}(F)$. Let $g(t) = c_t^1$, $y(1) = c_1^2$, and $y(t+1) = \text{pr}_2 F(g(t), y(t))$. Since $\mathcal{C}_2 \in \mathcal{D}(F_2^{\mathcal{C}_1})$, then $y(t+1) = c_{t+1}^2$ by definition. Let $N = |\mathcal{C}_2|$. Then

$$F(c_k^1, c_k^2) = (\text{pr}_1 F(c_k^1, c_k^2), \text{pr}_2 F(g(k), y(k))) = (F_1(c_k^1), \overline{F}_2^{\mathcal{C}_1}(c_k^1, y(k+1))) = (c_{k+1}^1, c_{k+1}^2).$$

Thus $F^N(c_1^1, c_1^2) = F(c_N^1, c_N^2) = (c_1^1, c_1^2)$ and hence $\mathcal{C}_1 \oplus \mathcal{C}_2 \in \mathcal{D}(F)$. It follows that

$$\bigsqcup_{\mathcal{C}_1 \in \mathcal{D}(F_1)} \mathcal{C}_1 \oplus \mathcal{D}(F_2^{\mathcal{C}_1}) \subset \mathcal{D}(F)$$

from which we conclude that the sets are equal. ■

Remark 4.9. To highlight the analogy between the decomposition of a Boolean network and the decomposition of its dynamics, we set

$$\mathcal{D}(F_1) \times_P \mathcal{D}(F_2) := \mathcal{D}(F_1) \times \mathcal{D}(F_2^{F_1}) := \bigsqcup_{\mathcal{C}_1 \in \mathcal{D}(F_1)} \mathcal{C}_1 \oplus \mathcal{D}(F_2^{\mathcal{C}_1}).$$

Theorem 4.8 then states

$$\mathcal{D}(F_1 \times_P F_2) = \mathcal{D}(F_1) \times_P \mathcal{D}(F_2),$$

which can be seen as a distributive property for dynamics of coupled networks. Combining Theorem 4.3 and Theorem 4.8, the dynamics of a Boolean network F , which decomposes into simple networks F_1, \dots, F_m . By a slight abuse of notation we have,

$$\mathcal{D}(F) = \mathcal{D}(F_1) \times_{P_1} \left(\mathcal{D}(F_2) \times_{P_2} (\dots \times_{P_{m-1}} \mathcal{D}(F_m)) \right).$$

Example 4.10. Consider the Boolean network $F(x_1, x_2, y_1, y_2) = (x_2, x_1, x_2 y_2, y_1)$. We can decompose F into a network $F = F_1 \times F_2$ with $F_1(x_1, x_2) = (x_2, x_1)$ and $F_2(y_1, y_2) = (y_2, y_1)$. Note that $\overline{F}_2(x_1, x_2, y_1, y_2) = (x_2 y_2, y_1)$ and $\mathcal{D}(F_1) = \{00, 11, \{01, 10\}\}$ (note that we denote a steady state $\mathcal{C} = \{c\}$ simply by c). To use Theorem 4.8 we find the attractors of F_1 and the attractors of F_2 induced by each of those attractors.

- For $\mathcal{C}_1 = \{00\}$, the corresponding network is $y(t+1) = \overline{F}_2(0, 0, y(t))$. If $y(0) = (y_1^*, y_2^*)$, then $y(1) = \overline{F}_2(0, 0, y_1^*, y_2^*) = (0, y_1^*)$ and $y(2) = \overline{F}_2(0, 0, 0, y_1^*) = (0, 0)$. Then the space of attractors for $F_2^{\mathcal{C}_1}$ is

$$\mathcal{D}(F_2^{\mathcal{C}_1}) = \{00\}.$$

- For $\mathcal{C}_2 = \{11\}$, the corresponding network is $y(t+1) = \overline{F}_2(1, 1, y(t))$. If $y(0) = (y_1^*, y_2^*)$, then $y(1) = \overline{F}_2(1, 1, y_1^*, y_2^*) = (y_2^*, y_1^*)$ and $y(2) = \overline{F}_2(1, 1, y_2^*, y_1^*) = (y_1^*, y_2^*)$. Thus, the corresponding attractor space is

$$\mathcal{D}(F_2^{\mathcal{C}_2}) = \{00, 11, \{01, 10\}\}.$$

- For $\mathcal{C}_3 = \{01, 10\}$, we define $g(t) : \mathbb{N} \rightarrow X_1$ by $g(0) = \{01\}$, $g(1) = \{10\}$, and $g(t+2) = g(t)$ and $F_2^{\mathcal{C}_3}$ is given by $y(t+1) = \overline{F}_2(g(t), y(t))$. If $y(0) = (y_1^*, y_2^*)$, then $y(1) = \overline{F}_2(0, 1, y_1^*, y_2^*) = (y_2^*, y_1^*)$, $y(2) = \overline{F}_2(1, 0, y_2^*, y_1^*) = (0, y_2^*)$, $y(3) = \overline{F}_2(0, 1, 0, y_2^*) = (y_2^*, 0)$, $y(4) = \overline{F}_2(1, 0, y_2^*, 0) = (0, y_2^*)$. Then, the corresponding attractor space is

$$\mathcal{D}(F_2^{\mathcal{C}_3}) = \{00, \{01, 10\}\}.$$

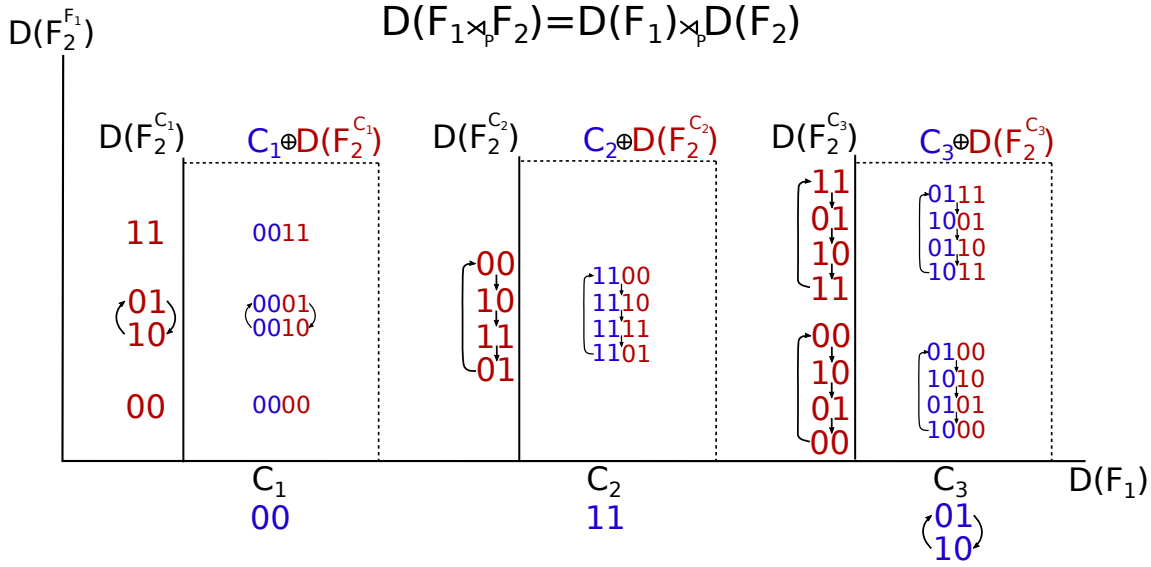


Figure 5. Graphical description of Theorem 4.8 (applied to Example 4.11). The dynamics of $F_1 \times_P F_2$ can be seen as a semi-direct product between the dynamics of F_1 and the dynamics of F_2 induced by F_1 via the coupling scheme P . The dynamics of F_2 induced by attractors of F_1 can vary, and Theorem 4.8 shows precisely how to combine all of these attractors.

To reconstruct the space of attractors for F , we have

$$\begin{aligned} \mathcal{D}(F) &= \mathcal{D}(F_1) \times \mathcal{D}(F_2^{F_1}) = (00, 11, \{01, 10\}) \times (\mathcal{D}(F_2^{C_1}), \mathcal{D}(F_2^{C_2}), \mathcal{D}(F_2^{C_3})) \\ &= 00 \oplus \{00\} + 11 \oplus \{00, 11, \{01, 10\}\} + \{01, 10\} \oplus \{00, \{01, 10\}\} \\ &= \{0000, 1100, 1111, \{1101, 1110\}, \{0100, 1000\}, \{0101, 1010\}\}, \end{aligned}$$

which agrees with our calculation from Example 3.20.

Example 4.11. Consider the linear network $F(x_1, x_2, y_1, y_2) = (x_2, x_1, x_2 + y_2, y_1)$. We can decompose $F = F_1 \times F_2$ into simple networks $F_1(x_1, x_2) = (x_2, x_1)$ and $F_2(y_1, y_2) = (y_2, y_1)$. Note that $\overline{F_2}(x_1, x_2, y_1, y_2) = (x_2 + y_2, y_1)$ and $\mathcal{D}(F_1) = \{00, 11, \{01, 10\}\}$. We use Theorem 4.8 as follows (see Figure 5 for a graphical description).

- For $\mathcal{C}_1 = \{00\}$, the corresponding network is $y(t+1) = \overline{F_2}(0, 0, y(t))$. If $y(0) = (y_1^*, y_2^*)$, then $y(1) = \overline{F_2}(0, 0, y_1^*, y_2^*) = (y_2^*, y_1^*)$. Thus, the space of attractors for $F_2^{C_1}$ is

$$\mathcal{D}(F_2^{C_1}) = \{00, 11, \{01, 10\}\}.$$

- Similarly, for $\mathcal{C}_2 = \{11\}$, we find that the space of attractors for $F_2^{C_2}$ is

$$\mathcal{D}(F_2^{C_2}) = \{\{00, 10, 11, 01\}\}$$

- For $\mathcal{C}_3 = \{01, 10\}$, we define $g(t) : \mathbb{N} \rightarrow X_1$ by $g(0) = \{01\}$, $g(1) = \{10\}$, and $g(t+2) = g(t)$ and $F_2^{\mathcal{C}_3}$ is given by $y(t+1) = \overline{F}_2(g(t), y(t))$. If $y(0) = (y_1^*, y_2^*)$ then $y(1) = (1 + y_2^*, y_1^*)$, $y(2) = (y_1^*, y_2^* + 1)$, $y(3) = (y_2^*, y_1^*)$, $y(4) = (y_1^*, y_2^*) = y(0)$, thus in general $y(4t) = (y_1^*, y_2^*)$, $y(4t+1) = (1 + y_2^*, y_1^*)$, $y(4t+2) = (y_1^*, y_2^* + 1)$, and $y(4t+3) = (y_2^*, y_1^*)$ for $t > 0$. It follows that there are only 2 periodic trajectories in this case: $(00, 10, 01, 00, 00, 10, 01, 00, \dots)$ and $(11, 01, 10, 11, 11, 01, 10, 11, \dots)$, which have period 4. The corresponding attractor space is

$$\mathcal{D}(F_2^{\mathcal{C}_3}) = \{\{00, 10, 01, 00\}, \{11, 01, 10, 11\}\}.$$

Note that the repetition of certain states is needed to obtain the correct attractors of the full network F .

To reconstruct the space of attractors for F , we have

$$\begin{aligned} \mathcal{D}(F) &= \mathcal{D}(F_1) \times \mathcal{D}(F_2^{F_1}) = (00, 11, \{01, 10\}) \times (\mathcal{D}(F_2^{\mathcal{C}_1}), \mathcal{D}(F_2^{\mathcal{C}_2}), \mathcal{D}(F_2^{\mathcal{C}_3})) \\ &= \left\{ \begin{array}{l} 00 \oplus \{00, 11, \{01, 10\}\} \\ 11 \oplus \{\{00, 10, 11, 01\}\} \\ \{01, 10\} \oplus \{\{00, 10, 01, 00\}, \{11, 01, 10, 11\}\} \end{array} \right\} = \left\{ \begin{array}{l} 0000, 0011, \{0001, 0010\}, \\ \{1100, 1110, 1111, 1101\}, \\ \{0100, 1010, 0101, 1000\}, \\ \{0111, 1001, 0110, 1011\} \end{array} \right\}. \end{aligned}$$

These examples highlight how Theorem 4.8 enables the computation of the dynamics of a decomposable network from the dynamics of its simple networks.

5. Parametrizing Network Extensions. We have shown above how non-strongly connected networks can be decomposed into simple (i.e., strongly connected) networks. In this section, we consider the opposite: how and in how many ways can several (not necessarily simple) networks be combined into a larger network. For two networks, this can be thought of as determining the number of ways that the functions of one network can be extended to include inputs coming from the other network. In general, this problem can be quite difficult. However, for certain families of functions with sufficient structure we can enumerate all such extensions.

Definition 5.1. Let $X = \mathbb{F}_2^{n_1}$, $Y = \mathbb{F}_2^{n_2}$. An extension of a Boolean function $f : X \rightarrow \mathbb{F}_2$ by Y is any Boolean function $\tilde{f} : X \times Y \rightarrow \mathbb{F}_2$ such that $\tilde{f}|_X = f$. That is, the restriction of an extension to the inputs of the original function recovers the original function.

5.1. Graphical Boolean networks. Various families of Boolean functions feature symmetries such that a Boolean network governed by functions from such a family is uniquely determined by its wiring diagram. This includes linear functions, as well as conjunctive and disjunctive functions. We call networks governed by such a family of functions *graphical*. The set of all extensions of graphical networks can be enumerated and parameterized in a straightforward manner.

Remark 5.2. The wiring diagram of a Boolean network F can be represented as a square matrix with entries in \mathbb{F}_2 , the adjacency matrix. When the network is decomposable, the

wiring diagram of F can be represented by a lower block triangular matrix after a permutation of variables. The blocks on the diagonal represent the restrictions of F to each simple network and the off-diagonal blocks represent uni-directional connections between the simple networks. The ordering of the blocks along the diagonal corresponds to the acyclic graph Q from Definition 3.11, which defines a partial ordering of the simple networks.

Conversely, a collection of simple networks can be combined to form a larger network. The matrix representation of the wiring diagram of this larger network will consist of blocks along the diagonal representing these simple networks and blocks below the diagonal representing connections between each simple network.

Proposition 5.3. *Let $X_1 = \mathbb{F}_2^{n_1}, X_2 = \mathbb{F}_2^{n_2}$. Given two Boolean networks $F_1 : X_1 \rightarrow X_1, F_2 : X_2 \rightarrow X_2$, all possible wiring diagrams of an extension of F_2 by $F_1, F = F_1 \rtimes_P F_2 : X \times Y \rightarrow X \times Y$, can be parametrized by $\mathbb{F}_2^{n_2, n_1}$. There are $2^{n_1 n_2}$ unique wiring diagrams for $F = F_1 \rtimes_P F_2$.*

Proof. Let W_1, W_2 be the wiring diagrams of F_1, F_2 . For the network F to be an extension of F_2 by F_1 , any $f_2 \in F_2$ may depend on any $x_1 \in X_1$ but the opposite is not admissible. The wiring diagram of such an extension is thus given by

$$W = \begin{bmatrix} W_1 & 0 \\ \tilde{P} & W_2 \end{bmatrix},$$

where the submatrix $\tilde{P} \in \mathbb{F}_2^{n_2, n_1}$ specifies the dependence of X_2 on X_1 . ■

Corollary 5.4. *Let $X_1 = \mathbb{F}_2^{n_1}, X_2 = \mathbb{F}_2^{n_2}$. Given two graphical Boolean networks $F_1 : X_1 \rightarrow X_1, F_2 : X_2 \rightarrow X_2$, the number of different extensions of F_2 by $F_1, F = F_1 \rtimes_P F_2 : X \times Y \rightarrow X \times Y$, is $2^{n_1 n_2}$.*

Example 5.5. Recall Example 3.16 with two graphical networks (governed by linear functions) given by $F_1(x_1, x_2) = (x_2, x_1)$ and $F_2(y_1, y_2) = (y_2, y_1)$, which were coupled together to form the larger network

$$F(x_1, x_2, y_1, y_2) = (x_2, x_1, x_1 + x_2 + y_2, x_2 + y_1).$$

In matrix form, we have

$$F = \begin{bmatrix} F_1 & 0 \\ \tilde{P} & F_2 \end{bmatrix}, F_1 = \begin{bmatrix} 0 & 1 \\ 1 & 0 \end{bmatrix}, F_2 = \begin{bmatrix} 0 & 1 \\ 1 & 0 \end{bmatrix}, \tilde{P} = \begin{bmatrix} 1 & 1 \\ 0 & 1 \end{bmatrix}.$$

The matrix \tilde{P} is one out of a total of 16 Boolean 2×2 matrices, which determines the extension.

We can generalize the previous results to any network, using the acyclic graph that encodes how the simple networks are connected, described in Remark 5.2.

Theorem 5.6. *Let $X_1 = \mathbb{F}_2^{n_1}, \dots, X_m = \mathbb{F}_2^{n_m}$ and let F_1, \dots, F_m with $F_i : X_i \rightarrow X_i$ be a collection of Boolean networks. All possible wiring diagrams of a network F which admits a decomposition into simple networks F_1, \dots, F_m can be parametrized (i.e., are uniquely determined) by the choice of an acyclic graph Q and an element in*

$$\prod_{\substack{(i,j) \in Q \\ i \neq j}} \mathbb{F}_2^{n_j, n_i} \setminus \{0\}.$$

Proof. Let F be a network with simple networks F_1, \dots, F_m and associated acyclic graph Q . (Note F may already be simple). Further, let W_i be the wiring diagram of $F_i, i = 1, \dots, m$. For each $(i, j) \in Q$, there exists a unique non-zero matrix $\tilde{P}_{ij} \in \mathbb{F}_2^{n_j, n_i}$, which describes the exact connections from W_i to W_j . Note that the zero matrix would imply no connections from W_i to W_j , contradicting $(i, j) \in Q$. ■

Remark 5.7. The set \mathcal{Q} of all possible acyclic graphs corresponding to a Boolean network F with $m \geq 1$ simple networks can be parametrized by the set of all lower triangular, Boolean matrices with diagonal entries of 1. Thus, $|\mathcal{Q}| = 2^{m(m-1)/2}$.

Corollary 5.8. The number of all possible wiring diagrams of a Boolean network with simple networks F_1, \dots, F_m in that order (i.e., with any acyclic graph Q satisfying $(i, j) \notin Q$ whenever $i > j$) is given by

$$\sum_{Q \in \mathcal{Q}} \prod_{\substack{(i,j) \in Q \\ i \neq j}} (2^{n_i n_j} - 1).$$

Note that the product over $Q = \emptyset$ is 1. Further, note that this number can also simply be expressed as 2^M , where

$$M = \sum_{i=1}^m \sum_{j=i+1}^m n_i n_j$$

describes the total number of possible edges between all pairs of simple networks F_i and F_j with $i < j$.

Corollary 5.9. Let $X_1 = \mathbb{F}_2^{n_1}, \dots, X_m = \mathbb{F}_2^{n_m}$ and let F_1, \dots, F_m with $F_i : X_i \rightarrow X_i$ be a collection of graphical Boolean networks. The number of different graphical networks with simple networks F_1, \dots, F_m with acyclic graph Q is given by

$$\prod_{\substack{(i,j) \in Q \\ i \neq j}} (2^{n_i n_j} - 1),$$

and any graphical network with simple networks F_1, \dots, F_m (with any acyclic graph Q satisfying $(i, j) \notin Q$ whenever $i > j$) is parameterized by an element of

$$\bigsqcup_{Q \in \mathcal{Q}} \prod_{\substack{(i,j) \in Q \\ i \neq j}} \mathbb{F}_2^{n_j, n_i} \setminus \{0\} \cong \mathbb{F}_2^M$$

where

$$M = \sum_{i=1}^m \sum_{j=i+1}^m n_i n_j.$$

Remark 5.10. The previous results can be easily extended to networks governed by functions such that the network is uniquely determined by a signed graph, where each edge is associated with a ternary value of $-1, 0$ (i.e., no regulation) or 1 . For example, AND-NOT networks, which are governed by functions such as $\neg x_1 \wedge x_2$, are completely determined by

a signed graph. For all such networks, the connecting matrices \tilde{P}_{ij} in the proofs of Proposition 5.3 and Theorem 5.6 are elements of $\mathbb{F}_3^{n_j, n_i}$, implying that all occurrences of 2 (\mathbb{F}_2) get replaced by 3 (\mathbb{F}_3) in the results above.

Example 5.11. Consider the signed graphs (in matrix form)

$$W_1 = \begin{bmatrix} 0 & -1 \\ 1 & 1 \end{bmatrix}, \quad W_2 = \begin{bmatrix} -1 & 1 \\ 1 & 0 \end{bmatrix}$$

with corresponding AND-NOT networks

$$F_1 = (\neg x_2, x_1 \wedge x_2) \quad \text{and} \quad F_2 = (\neg x_3 \wedge x_4, x_3).$$

Given the connecting matrix

$$\tilde{P} = \begin{bmatrix} 0 & 0 \\ 1 & -1 \end{bmatrix},$$

we can extend F_2 by F_1 to obtain the extended AND-NOT network

$$F = F_1 \times_P F_2 = (\neg x_2, x_1 \wedge x_2, \neg x_3 \wedge x_4, x_1 \wedge \neg x_2 \wedge x_3),$$

which naturally decomposes into F_1 and F_2 . Note that \tilde{P} is one out of a total of $3^4 = 81$ ternary 2×2 matrices, each of which determines a unique extension of F_2 by F_1 .

5.2. Nested canalizing Boolean networks. Thus far, we have described how to parametrize (and count) all possible extensions for networks, which are completely described by their (signed) wiring diagram. All NCFs with a single layer fall into this category of functions. For the family of all NCFs, which includes NCFs with multiple layers, this simple parametrization is no longer possible, as there are multiple possibilities how added variables can extend a general NCF. In order to understand this better, we investigate what happens when we restrict an NCF one variable at a time. To simplify notation, we let $\overline{\{x_i\}}$ denote the set of all variables of a function except for variable x_i .

Example 5.12. Consider the following NCF with unique polynomial representation

$$f = x_1(x_2 + 1)[x_3[(x_4 + 1)x_5 + 1] + 1] + 1$$

and layer structure $(2, 1, 2)$. Recall that restricting an NCF to $\overline{\{x_i\}}$ means setting x_i to its non-canalizing value. We will now consider restrictions of f to different $\overline{\{x_i\}}$ to highlight how the layer structure of f determines the layer structure of the restriction.

1. Restricting f to $\overline{\{x_2\}}$ means setting $x_2 = 0$, i.e., removing the factor $(x_2 + 1)$ from the polynomial representation of f . This restriction has layer structure $(1, 1, 2)$ as the size of the first layer has been reduced by one.
2. Restricting f to $\overline{\{x_3\}}$ means setting $x_3 = 1$ and yields

$$f|_{\overline{\{x_3\}}} = x_1(x_2 + 1)(x_4 + 1)x_5 + 1,$$

an NCF with a single layer. This reduction in the number of layers occurs because x_3 is the only variable in the second layer of f . Restricting to $\overline{\{x_3\}}$ implies an annihilation of this layer and results in a fusion of the adjacent layers (layer 1 and layer 3), as all variables in these two layers share the same canalized output value.

3. Restricting f to $\overline{\{x_5\}}$ means setting $x_5 = 1$ and yields

$$f|_{\overline{\{x_5\}}} = x_1(x_2 + 1)[x_3x_4 + 1] + 1,$$

which is an NCF of only two layers. This occurs because the last layer of an NCF always consists of two or more variables. Removal of x_5 from this layer leaves only variable x_4 , which can now be combined with the previous layer. Note that the canalizing value of x_4 flips in this process.

Remark 5.13. Given an NCF with layer structure (k_1, \dots, k_r) , removing a variable in the i th layer (i.e., restricting the NCF to all but this variable) results in decreasing the size of the i th layer by one, $k_i \mapsto k_i - 1$. The previous example highlighted the three different cases that may occur when restricting NCFs. By reversing this thought process, we can categorize the number of ways that a new variable can be added to an NCF to obtain an extension.

1. (Initial layer) A new variable can always be added as new outermost layer. That is,

$$(k_1, \dots, k_r) \mapsto (1, k_1, \dots, k_r)$$

2. (Layer addition) A new variable can always be added to any layer. That is,

$$(k_1, \dots, k_r) \mapsto (k_1, \dots, k_i + 1, \dots, k_r)$$

3. (Splitting) If $k_i \geq 2$, then the new variable can split the i th layer. That is,

$$(k_1, \dots, k_r) \mapsto (k_1, \dots, k_i - \ell, 1, \ell, \dots, k_r)$$

where $1 \leq \ell \leq k_i - 1$, with the exception that if $i = k$ and $\ell = 1$,

$$(k_1, \dots, k_r) \mapsto (k_1, \dots, k_r - 1, 2)$$

because the last layer of an NCF always contains at least two variables.

Using these rules, we can construct extensions by adding new variables one at a time.

Lemma 5.14. Let $X = \mathbb{F}_2^{n_1}$. Consider an NCF $f : X \rightarrow \mathbb{F}_2$ and a set of variables $Y = \{y_1, \dots, y_{n_2}\}$. By fixing an ordering on Y , every extension $\tilde{f} : X \times Y \rightarrow \mathbb{F}_2$ of f can be realized uniquely by the sequential addition of the variables of Y using the rules described in *Remark 5.13*.

Proof. The restriction of an NCF to $\overline{\{x_i\}}$ defines a unique function, as it means setting x_i to its unique non-canalizing value. Let $f : X \times Y \rightarrow \mathbb{F}_2$ be an NCF extending f over Y . By systematically restricting \tilde{f} one variable at a time, we obtain a sequence of functions $\{f_i\}_{i=0}^{n_2}$

$$f = f_0 \rightarrow f_1 \rightarrow \dots \rightarrow f_i \rightarrow f_{i+1} \rightarrow \dots \rightarrow f_{n_2} = \tilde{f},$$

where each function f_i is obtained by restricting f_{i+1} to $\overline{\{y_i\}}$. As every restriction has an inverse extension, each f_{i+1} can be obtained from f_i by adding y_i in the unique way that reverses the restriction. ■

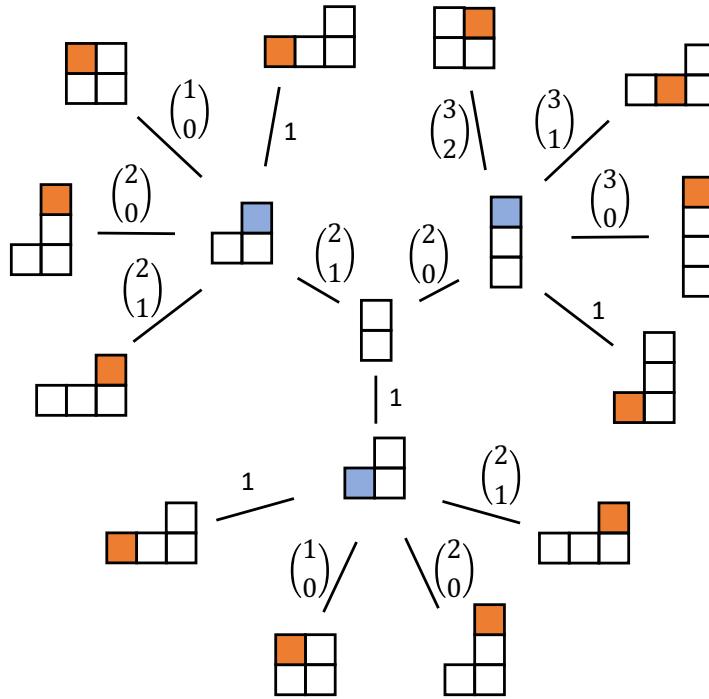


Figure 6. Graphical representation of the iterative process to find all possible nested canalizing extensions of an NCF in two variables. Each diagram represents a layer structure, each block represents a variable, each column represents a layer with the leftmost column representing the outer layer. The central diagram displays the only possible layer structure of a two-variable NCF. The colored blocks highlight the newly added variable; the first (second) added variable is shown in blue (orange) and within a layer the newly added variable is always shown on top. Edge labels show the number of extensions sharing the given layer structure. Note that for each extended layer structure, the arbitrary choice of canalizing input value for the newly added variables supplies an additional factor of 2, which the edge labels do not include.

Theorem 5.15. For an NCF f with layer structure (k_1, \dots, k_r) , the total number of unique extensions of f by one variable is given by

$$2 + 2 \sum_{i=1}^r (2^{k_i} - 1)$$

Proof. As outlined in Remark 5.13, there exist three distinct ways in which a variable y can be added to an NCF to obtain a new, extended NCF: 1. as a new initial (i.e., outermost) layer, 2. as an addition to an existing layer, or 3. as a splitting of an existing layer. To obtain the total number of unique extensions of f by one variable, we sum up all these possibilities, separately for each layer of f . Note that, irrespective of the way y is added, there are always two choices for its canalizing value, which is why we multiply the total number by 2 in the end.

For a given layer of size k_i , there is exactly one way to add y . If $k_i = 1$, the layer cannot be split so that there is only one way to adjust this layer. If $k_i > 1$, the layer can be split

$$(\dots, k_i, \dots) \mapsto (\dots, k_i - \ell, 1, \ell, \dots),$$

and there are $\binom{k_i}{\ell}$ ways to choose ℓ of the k_i variables to be placed in the layer following y . A proper split requires $\ell, k_i - \ell \geq 1$ so that the number of possibilities to add y to a layer (by adding to the layer or splitting it) is given by

$$N_i := 1 + \sum_{j=1}^{k_i-1} \binom{k_i}{j} = 2^{k_i} - 1.$$

Note that this formula is also valid for the special last layer of an NCF, which always contains two or more variables: Splitting the final layer into a layer of size $k_r - 1$ and a new last layer of size $\ell = 1$ results in this last layer to be combined with the new layer consisting only of y , yielding a last layer of exact size 2, which includes y (see Case 3 in Example 5.12 and Figure 6).

Altogether, including the sole extension which adds y as initial (i.e., outermost) later and accounting for the two choices of canalizing input value of y , the total number of unique extensions of f by one variable is thus

$$N = 2\left(1 + \sum_{i=1}^r N_i\right) = 2 + 2 \sum_{i=1}^r (2^{k_i} - 1). \quad \blacksquare$$

By combining Lemma 5.14 and Theorem 5.15, one can enumerate all possible extensions of an NCF by n variables. Figure 6 illustrates the number of ways (up to choice of canalizing input value of the newly added variables) that two variables can be iteratively added to any NCF in two variables (which always consists of a single layer). In general, all extensions of an NCF f by multiple variables can be enumerated by an iterative application of Theorem 5.15. Starting with a two-variable NCF, there are

$$N = 8, 92, 1328, 23184, 483840, 12050112$$

such extensions by $1, \dots, 6$ variables.

6. Application: Control of Boolean Networks. In this section we apply our theory of modularity to the problem of control of Boolean networks. Here, we show how the decomposition into simple networks can be used to obtain controls for each simple network, which can then be combined to obtain a control for the entire network. In this context, two types of control actions are generally considered: edge controls and node controls. For each type of control, one can consider deletions or constant expressions as defined below. The motivation for considering these control actions is that they represent the common interventions that can be implemented in practice. For instance, edge deletions can be achieved by the use of therapeutic drugs that target specific gene interactions while node deletions represent the blocking of effects of products of genes associated to these nodes; see [3, 23].

Once the simple networks have been identified, different methods for phenotype control (that is, control of the attractor space) can be used to identify controls in these networks. There include methods using Stable Motifs [24], Feedback Vertex Sets [25], as well as algebraic methods [18, 17, 21]. For our examples below, we will use [24], [18], and [25] to find controls in the simple networks.

A Boolean network $F = (f_1, \dots, f_n) : \mathbb{F}_2^n \rightarrow \mathbb{F}_2^n$ with *control* is a Boolean network $\mathcal{F} : \mathbb{F}_2^n \times U \rightarrow \mathbb{F}_2^n$, where U is a set that denotes all possible controls, defined below. The case of no control coincides with the original Boolean network, that is, $\mathcal{F}(x, 0) = F(x)$. Given a control $u \in U$, the dynamics are given by $x(t+1) = \mathcal{F}(x(t), u)$. See [18] for additional details and examples of how to encode edges and nodes in a Boolean network.

Definition 6.1 (Edge Control, [18]). *Consider the edge $x_i \rightarrow x_j$ in the wiring diagram W . The function*

$$(6.1) \quad \mathcal{F}_j(x, u_{i,j}) := f_j(x_1, \dots, (u_{i,j} + 1)x_i + u_{i,j}a_i, \dots, x_n),$$

where a_i is a constant in \mathbb{F}_2 , encodes the control of the edge $x_i \rightarrow x_j$, since for each possible value of $u_{i,j} \in \mathbb{F}_2$ we have the following control settings:

- If $u_{i,j} = 0$, $\mathcal{F}_j(x, 0) = f_j(x_1, \dots, x_i, \dots, x_n)$. That is, the control is not active.
- If $u_{i,j} = 1$, $\mathcal{F}_j(x, 1) = f_j(x_1, \dots, x_i = a_i, \dots, x_n)$. In this case, the control is active, and the action represents the removal of the edge $x_i \rightarrow x_j$ when $a_i = 0$, and the constant expression of the edge if $a_i = 1$. We use $x_i \xrightarrow{a_i} x_j$ to denote that the control is active.

This definition can easily be extended for the control of many edges, so that we obtain $\mathcal{F} : \mathbb{F}_2^n \times \mathbb{F}_2^e \rightarrow \mathbb{F}_2^n$, where e is the number of edges in the wiring diagram. Each coordinate, $u_{i,j}$, of u in $\mathcal{F}(x, u)$ encodes the control of an edge $x_i \rightarrow x_j$.

Definition 6.2 (Node Control, [18]). *Consider the node x_i in the wiring diagram W . The function*

$$(6.2) \quad \mathcal{F}_j(x, u_i^-, u_i^+) := (u_i^- + u_i^+ + 1)f_j(x) + u_i^+$$

encodes the control (knock-out or constant expression) of the node x_i , since for each possible value of $(u_i^-, u_i^+) \in \mathbb{F}_2^2$ we have the following control settings:

- For $u_i^- = 0, u_i^+ = 0$, $\mathcal{F}_j(x, 0, 0) = f_j(x)$. That is, the control is not active.
- For $u_i^- = 1, u_i^+ = 0$, $\mathcal{F}_j(x, 1, 0) = 0$. This action represents the knock out of the node x_j .
- For $u_i^- = 0, u_i^+ = 1$, $\mathcal{F}_j(x, 0, 1) = 1$. This action represents the constant expression of the node x_j .
- For $u_i^- = 1, u_i^+ = 1$, $\mathcal{F}_j(x, 1, 1) = f_j(x_{t_1}, \dots, x_{t_m}) + 1$. This action changes the Boolean function to its negative value.

From Theorem 4.8 the attractors of F are of the form $\mathcal{C} = \mathcal{C}_1 \oplus \mathcal{C}_2$ where $\mathcal{C}_1 \in \mathcal{D}(F_1)$ and $\mathcal{C}_2 \in \mathcal{D}(F_2^{\mathcal{C}_1})$. Thus, we have the following theorem.

Definition 6.3. *We say that a control μ stabilizes a network F at an attractor \mathcal{C} when the resulting network after applying μ into F (denoted here as F^μ) has \mathcal{C} as its only attractor.*

Theorem 6.4. *Given a decomposable network $F = F_1 \times_P F_2$. Let $\mathcal{C} = \mathcal{C}_1 \oplus \mathcal{C}_2$ be an attractor of F , where $\mathcal{C}_1 \in \mathcal{D}(F_1)$ and $\mathcal{C}_2 \in \mathcal{D}(F_2^{\mathcal{C}_1})$ and either \mathcal{C}_1 or \mathcal{C}_2 is a steady state. If μ_1 is a control that stabilizes F_1 in \mathcal{C}_1 and μ_2 is a control that stabilizes $F_2^{\mathcal{C}_1}$ in \mathcal{C}_2 , then $\mu = (\mu_1, \mu_2)$ is a control that stabilizes F in \mathcal{C} .*

Proof. Let $F_1^{\mu_1}$ be the resulting network after applying the control μ_1 . Thus, the dynamics of $F_1^{\mu_1}$ is \mathcal{C}_1 , that is $\mathcal{D}(F_1^{\mu_1}) = \mathcal{C}_1$. Similarly, the dynamics of $F_2^{\mathcal{C}_1, \mu_2}$ is \mathcal{C}_2 . That is, $\mathcal{D}(F_2^{\mathcal{C}_1, \mu_2}) = \mathcal{C}_2$. Then,

$$F^\mu = (F_1 \times_P F_2)^\mu = F_1^\mu \times_P F_2^\mu = F_1^{\mu_1} \times_P F_2^{\mu_2}$$

Thus,

$$\mathcal{D}(F^\mu) = \mathcal{D}(F_1^{\mu_1} \times_P F_2^{\mu_2}) = \bigsqcup_{\mathcal{C}' \in \mathcal{D}(F_1^{\mu_1})} \mathcal{C}' \oplus \mathcal{D}(F_2^{\mathcal{C}', \mu_2}) = \mathcal{C}_1 \oplus \mathcal{D}(F_2^{\mathcal{C}_1, \mu_2}) = \mathcal{C}_1 \oplus \mathcal{C}_2.$$

It follows that there is only one attractor of F^μ and that attractor is $\mathcal{C}_1 \oplus \mathcal{C}_2$. Thus, F is stabilized by $\mu = (\mu_1, \mu_2)$ and we have $\mathcal{D}(F^\mu) = \mathcal{C}$. \blacksquare

Remark 6.5. In the proof of Theorem 6.4 we used the fact the product of a steady state and a cycle (or vice versa) will result in only one attractor for the composed network. The former is not always true in general because multiplying two attractors (of length greater than 1) might result in several attractors for the composed network due to the attractors starting at different states. Nevertheless, Theorem 6.4 is still valid if we use the following definition of stabilization for non-autonomous networks which will guarantee that \mathcal{C}_1 and \mathcal{C}_2 can be combined in a unique way resulting in a unique attractor of the whole network.

Definition 6.6. Consider a non-autonomous network given by $y(t+1) = \bar{F}_2(g(t), y(t), u)$, where $g(t)$ is a trajectory representation of an attractor \mathcal{C}_1 of an upstream network. We say that a control μ_2 stabilizes this network, $F_2^{\mathcal{C}_1}$, at an attractor \mathcal{C}_2 when the resulting network after applying μ_2 (denoted here as $F_2^{\mathcal{C}_1, \mu_2}$) has \mathcal{C}_2 as its unique attractor. For non-autonomous networks the definition of unique attractor requires that $(g(t), y(t))_{t=0}^\infty$ has a unique periodic trajectory up to shifting of t (which is automatically satisfied if \mathcal{C}_1 or \mathcal{C}_2 is a steady state).

Example 6.7. Consider the network $F(x_1, x_2, x_3, x_4) = (x_2, x_1, x_2x_4, x_3)$ which can be decomposed into $F = F_1 \times_P F_2$, with $F_1(x_1, x_2) = (x_2, x_1)$ and $F_2(x_3, x_4) = (x_4, x_3)$ and suppose that we want to stabilize F in 1111, which is an attractor (but the only one) of F . Note that $\bar{F}_2(x_1, x_2, x_3, x_4) = (x_2x_4, x_3)$ and $\mathcal{D}(F_1) = \{00, 11, \{01, 10\}\}$. Let $\mathcal{C}_1 = \{11\} \in \mathcal{D}(F_1)$.

- The edge control $\mu_1 : x_1 \xrightarrow{1} x_2$ (that is, the control that constantly expresses the edge from x_1 to x_2) stabilizes F_1 at $\mathcal{C}_1 = \{11\}$. Note that the space of attractors for $F_2^{\mathcal{C}_1}$ is $\mathcal{D}(F_2^{\mathcal{C}_1}) = \{00, 11, \{01, 10\}\}$.
- The edge control $\mu_2 : x_4 \xrightarrow{1} x_3$ (that is, the control that constantly expresses the edge from x_4 to x_3) stabilizes $F_2^{\mathcal{C}_1}$ at $\mathcal{C}_2 = \{11\} \in \mathcal{D}(F_2^{\mathcal{C}_1})$.
- Now, the control $\mu = (\mu_1, \mu_2) = (x_1 \xrightarrow{1} x_2, x_4 \xrightarrow{1} x_3)$ stabilizes F at $\mathcal{C} = \mathcal{C}_1 \oplus \mathcal{C}_2 = \{1111\}$.

We note that Theorem 6.4 provides a way to identify controls using the modular structure of networks to stabilize the system into existing attractors. More generally, we have the following theorem.

Theorem 6.8. Given a decomposable network $F = F_1 \times_P F_2$. If μ_1 is a control that stabilizes F_1 in \mathcal{C}_1 (whether \mathcal{C}_1 is an existing attractor or a new one) and μ_2 is a control that stabilizes $F_2^{\mathcal{C}_1}$ in \mathcal{C}_2 (whether \mathcal{C}_2 is an existing attractor or a new one), then $\mu = (\mu_1, \mu_2)$ is a control that stabilizes F in $\mathcal{C} = \mathcal{C}_1 \oplus \mathcal{C}_2$ provided that either \mathcal{C}_1 or \mathcal{C}_2 is a steady state.

Proof. The proof is identical to the proof of Theorem 6.4. ■

Example 6.9. Consider again the Boolean network from Example 6.7, $F(x_1, x_2, x_3, x_4) = (x_2, x_1, x_2x_4, x_3) = F_1 \times F_2$ with $F_1(x_1, x_2) = (x_2, x_1)$ and $F_2(x_3, x_4) = (x_4, x_3)$ and suppose that we want to stabilize F in 0110, which is not an attractor. Note that $\overline{F}_2(x_1, x_2, x_3, x_4) = (x_2x_4, x_3)$ and $\mathcal{D}(F_1) = \{00, 11, \{01, 10\}\}$.

- Consider the control $\mu_1 : (x_1 \xrightarrow{1} x_2, x_2 \xrightarrow{0} x_1)$. That is, the control is the combined action of setting the input from x_1 to x_2 to 1 and the input from x_2 to x_1 to 0. The control μ_1 stabilizes F_1 at $\{01\}$, which is not an original attractor of F_1 . Let $\mathcal{C}_1 = \{01\} \in \mathcal{D}(F_1^{\mu_1})$. Note that the space of attractors for $F_2^{\mathcal{C}_1}$ is $\mathcal{D}(F_2^{\mathcal{C}_1}) = \{00, 11, \{01, 10\}\}$.
- Now consider the control $\mu_2 : (x_4 \xrightarrow{1} x_3, x_3 \xrightarrow{0} x_4)$. That is, the control is the combined action of setting the input from x_4 to x_3 to 1 and the input from x_3 to x_4 to 0). This control stabilizes $F_2^{\mathcal{C}_1}$ at $\mathcal{C}_2 = \{10\} \in \mathcal{D}(F_2^{\mathcal{C}_1})$, which is not an original attractor of $F_2^{\mathcal{C}_1}$.
- Finally, the control $\mu = (\mu_1, \mu_2)$ stabilizes F at $\mathcal{C} = \mathcal{C}_1 \oplus \mathcal{C}_2 = \{0110\}$. Note that \mathcal{C} is a new attractor for F .

Next we will decompose a published Boolean network model into its simple networks (corresponding to the biological modules), identify controls for each simple network and show how this yields a set of controls that directs the total system into one of its attractors.

Example 6.10. Consider the multicellular Boolean network model, published in [20], which studies the microenvironment of pancreatic cancer cells by modeling the interactions of pancreatic cancer cells (PCCs), pancreatic stellate cells (PSCs), and their connecting cytokines. This network has 69 nodes and 114 edges, and possesses three non-trivial simple networks, corresponding to biological modules (Figure 7a). The directed acyclic graph, which describes the connections between the modules, is shown in Figure 7b.

Using these simple networks, we can identify controls that will stabilize the network in a desired attractor. In this example, we use the phenotype apoptosis as our desired attractor. The upstream module (highlighted in amber) has four attractors: two steady states and two 3-cycles. Since this module consists of two feedback loops of length 3 joined by the node *TGFb1*, it is enough to control this node (by [25]) to stabilize this module into any of its attractors. Next, we move to the middle module (highlighted in green) to identify the next control targets. Using the methods from [24] or [18], we can identify a minimal set of two nodes, which need to be controlled to stabilize this module: *RAS* in the pancreatic cell (in purple) and also *RAS* in the stellate cell (in blue). Finally, after applying the controls from the upstream modules, the nodes in the last module (highlighted in gray) all become constant and therefore they do not require additional controls. Thus, we identified, using the modular structure of the network, three nodes, which suffice to control the entire network.

Remark 6.11. This example highlights how one can use the decomposition into simple networks to efficiently identify a set of three controls that suffices to stabilize the whole network in a desired attractor. When disregarding the decomposition and identifying controls for the whole network instead, we also identify the same minimal set of controls. Note that this may not always be the case. In other words, the algorithm for phenotype control described

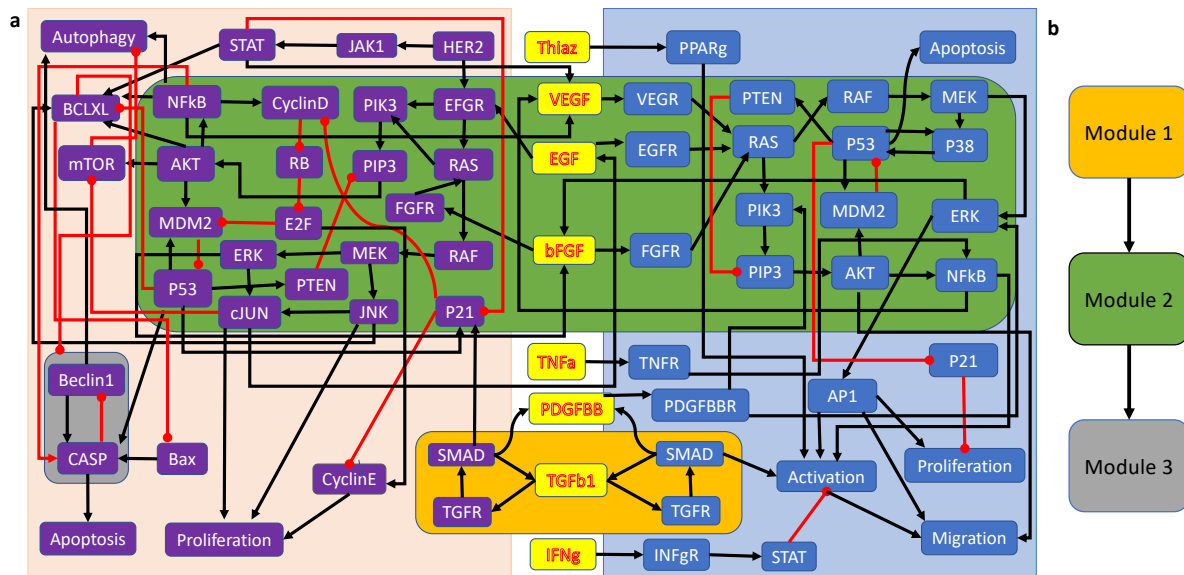


Figure 7. (a) Wiring diagram of a multicellular Boolean network model, published in [20], which describes the interactions of pancreatic cancer cells (purple nodes), pancreatic stellate cells (blue nodes), and their connecting cytokines (yellow nodes). The non-trivial simple networks, corresponding to biological modules, are highlighted by amber, green, and gray boxes. (b) Directed acyclic graph describing the connections between the non-trivial simple networks.

here is not guaranteed to find a control of minimal size.

7. Discussion. Decomposition theories are a common theme across mathematics, such as group theory, low-dimensional topology, differential geometry, and other fields. The decomposition results in this paper follow this theme, applied to certain types of dynamical systems. The results are motivated by strong biological evidence that such decompositions should exist in biological systems that can be modeled by these dynamical systems. Thus, this work can be viewed as an example of biology inspiring new mathematics. The feedback to biology of our work is to provide a rigorously specified framework that can be used to make more specific the concept of a module and the modular structure of biological systems, something that is currently lacking. Furthermore, it focuses on their dynamic nature, also a feature that is currently largely absent. We have chosen the modeling framework of Boolean networks, commonly used to model gene regulatory networks. We further restrict ourselves to Boolean networks that are composed of fanout-free or linear Boolean functions, classes of functions that are restrictive enough to have interesting mathematical properties, but general enough to capture almost all biological applications of Boolean networks to gene regulatory networks.

The core of our contributions is the definition of a module and a composition of modules into larger networks. The key result is a theorem that asserts that for a general fanout-free Boolean network, there exists a decomposition into modules, and the collection of modules is unique. Conversely, we show how one can build general networks out of modules and count the number of ways in which this can be done. A module is defined by the structural requirement

that its wiring diagram is strongly connected. This condition has also been studied in the context of biochemical reaction network models consisting of systems of ordinary differential equations. There, networks with this condition are called “weakly reversible” [1], and are shown to have special properties. This suggests that it might be of interest to carry out a decomposition program similar to ours for biochemical reaction networks.

As mentioned in the introduction, there is a substantial literature on why and how modularity of biological systems could have evolved, and how it could be advantageous to an organism [2, 16]. We provide one possible reason by looking at the concept of phenotype control. Here, a phenotype of a gene regulatory network is defined to be an attractor of the Boolean network model. Control inputs consist of certain modifications of the nodes and edges of the network or, alternatively, the Boolean functions on the network nodes. The aim is to find control inputs that change the attractor that a given collection of model states reaches. For instance, it is desirable to use a drug to change the cancer phenotype of a cell to a noncancer phenotype under “normal” conditions. We show in this paper how the modular structure of a network can be used to assemble a control strategy one module at a time and to capitalize on the effect of controls in one module on downstream modules.

We note that the concept of simple networks presented in Section 3.2 is related to other concepts that have been used for the analysis and control of Boolean networks. Mainly, stable motifs [24] are strongly connected components in an expanded graph of a Boolean network that is used for the identification of attractors and controls. For special classes of networks, the concept of simple network coincides with the one of stable motifs. For instance, when all the regulatory functions are linear functions, then the stable motifs are the same as the simple networks. We also note that the concept of simple networks presented here is related to the concept of basic blocks described in [19] that has been used for the identification of attractors and controls. The difference between a simple network and a basic block is that the latter is a strongly connected component together with all upstream variables, while a simple network is just the strongly connected component.

Several open problems remain to be tackled going forward. Most importantly, our decomposition theory needs to be related to actual regulatory networks and their structure. An important mathematical problem is to understand the dynamics of simple fanout-free or nested canalizing Boolean networks. This has been done in [8] for the special case of conjunctive networks, those constructed using only the Boolean AND function.

Acknowledgements. The authors thank the Banff International Research Station for support through its Focused Research Group program during the week of May 29, 2022 (22frg001), which was of great help in completing this paper. M.W. thanks the University of Florida College of Medicine for travel support. The authors thank Elena Dimitrova for many fruitful initial discussions.

REFERENCES

- [1] D. F. ANDERSON AND A. SHIU, *The dynamics of weakly reversible population processes near facets*, SIAM J. Appl. Math., 70 (2010), pp. 1840–1858.
- [2] E. BORRIELLO AND B. C. DANIELS, *The basis of easy controllability in boolean networks*, Nature communications, 12 (2021), pp. 1–15.

- [3] M. CHOI, J. SHI, S. H. JUNG, X. CHEN, AND K.-H. CHO, *Attractor landscape analysis reveals feedback loops in the p53 network that control the cellular response to dna damage*, *Science signaling*, 5 (2012), pp. ra83–ra83.
- [4] D. DERITEI, W. C. AIRD, M. ERCSEY-RAVASZ, AND E. R. REGAN, *Principles of dynamical modularity in biological regulatory networks*, *Scientific Reports*, 6 (2016), <https://doi.org/10.1038/srep21957>.
- [5] L. H. HARTWELL, J. J. HOPFIELD, S. LEIBLER, AND A. W. MURRAY, *From modular to molecular cell biology*, *Nature*, 402 (1999).
- [6] Q. HE AND M. MACAULEY, *Stratification and enumeration of Boolean functions by canalizing depth*, *Physica D: Nonlinear Phenomena*, 314 (2016), pp. 1–8.
- [7] U. HERNÁNDEZ, L. POSADAS-VIDALES, AND C. ESPINOSA-SOTO, *On the effects of the modularity of gene regulatory networks on phenotypic variability and its association with robustness*, *Biosystems*, 212 (2022), p. 104586.
- [8] A. S. JARRAH, R. LAUBENBACHER, AND A. VELIZ-CUBA, *The dynamics of conjunctive and disjunctive boolean network models*, *Bulletin of mathematical biology*, 72 (2010), pp. 1425–1447.
- [9] A. S. JARRAH, B. RAPOSA, AND R. LAUBENBACHER, *Nested canalizing, unate cascade, and polynomial functions*, *Physica D: Nonlinear Phenomena*, 233 (2007), pp. 167–174.
- [10] A. JIMENEZ, J. COTTERELL, A. MUNTEANU, AND J. SHARPE, *A spectrum of modularity in multifunctional gene circuits*, *Molecular Systems Biology*, 13 (2017), p. 925.
- [11] C. KADELKA, T.-M. BUTRIE, E. HILTON, J. KINSETH, AND H. SERDAREVIC, *A meta-analysis of boolean network models reveals design principles of gene regulatory networks*, *arXiv preprint arXiv:2009.01216*, (2020).
- [12] C. KADELKA, J. KUIPERS, AND R. LAUBENBACHER, *The influence of canalization on the robustness of boolean networks*, *Physica D: Nonlinear Phenomena*, 353 (2017), pp. 39–47.
- [13] S. KAUFFMAN, C. PETERSON, B. SAMUELSSON, AND C. TROEIN, *Random boolean network models and the yeast transcriptional network*, *Proc. Natl. Acad. Sci. U.S.A.*, 100 (2003), <https://doi.org/10.1073/pnas.2036429100>.
- [14] Y. LI, J. O. ADEYEYE, D. MURRUGARRA, B. AGUILAR, AND R. LAUBENBACHER, *Boolean nested canalizing functions: A comprehensive analysis*, *Theoretical Computer Science*, 481 (2013), pp. 24–36.
- [15] D. M. LORENZ, A. JENG, AND M. W. DEEM, *The emergence of modularity in biological systems*, *Physics of Life Reviews*, 8 (2011), pp. 129–160, <https://doi.org/10.1016/j.plrev.2011.02.003>.
- [16] S. MANICKA, K. JOHNSON, M. LEVIN, AND D. MURRUGARRA, *Biological regulatory networks are less nonlinear than expected by chance*, *bioRxiv*, (2021).
- [17] D. MURRUGARRA AND E. S. DIMITROVA, *Molecular network control through boolean canalization*, *EURASIP J Bioinform Syst Biol*, 2015 (2015), p. 9, <https://doi.org/10.1186/s13637-015-0029-2>.
- [18] D. MURRUGARRA, A. VELIZ-CUBA, B. AGUILAR, AND R. LAUBENBACHER, *Identification of control targets in boolean molecular network models via computational algebra*, *BMC Syst Biol*, 10 (2016), p. 94, <https://doi.org/10.1186/s12918-016-0332-x>.
- [19] S. PAUL, C. SU, J. PANG, AND A. MIZERA, *A decomposition-based approach towards the control of boolean networks*, in *Proceedings of the 2018 ACM International Conference on Bioinformatics, Computational Biology, and Health Informatics*, 2018, pp. 11–20.
- [20] D. PLAUGHER AND D. MURRUGARRA, *Modeling the pancreatic cancer microenvironment in search of control targets*, *Bulletin of Mathematical Biology*, 83 (2021), pp. 1–26.
- [21] L. SORDO VIEIRA, R. C. LAUBENBACHER, AND D. MURRUGARRA, *Control of intracellular molecular networks using algebraic methods*, *Bull Math Biol*, 82 (2019), p. 2, <https://doi.org/10.1007/s11538-019-00679-w>.
- [22] B. VERD, N. A. MONK, AND J. JAEGER, *Modularity, criticality, and evolvability of a developmental gene regulatory network*, *Elife*, 8 (2019), p. e42832.
- [23] D. J. WOOTEN, J. G. T. ZAÑUDO, D. MURRUGARRA, A. M. PERRY, A. DONGARI-BAGTZOGLU, R. LAUBENBACHER, C. J. NOBILE, AND R. ALBERT, *Mathematical modeling of the candida albicans yeast to hyphal transition reveals novel control strategies*, *PLoS computational biology*, 17 (2021), p. e1008690.
- [24] J. G. ZANUDO AND R. ALBERT, *Cell fate reprogramming by control of intracellular network dynamics*, *PLoS computational biology*, 11 (2015), p. e1004193.
- [25] J. G. T. ZAÑUDO, G. YANG, AND R. ALBERT, *Structure-based control of complex networks with nonlinear*

dynamics, Proceedings of the National Academy of Sciences, 114 (2017), pp. 7234–7239.