

Quantum compiling with a variational instruction set for accurate and fast quantum computing

Ying Lu,¹ Peng-Fei Zhou,¹ Shao-Ming Fei,^{2,3,*} and Shi-Ju Ran^{1,†}

¹*Department of Physics, Capital Normal University, Beijing 100048, China*

²*School of Mathematical Sciences, Capital Normal University, Beijing 100048, China*

³*Max-Planck-Institute for Mathematics in the Sciences, 04103, Leipzig, Germany*

(Dated: May 16, 2023)

The quantum instruction set (QIS) is defined as the quantum gates that are physically realizable by controlling the qubits in quantum hardware. Compiling quantum circuits into the product of the gates in a properly defined QIS is a fundamental step in quantum computing. We here propose the quantum variational instruction set (QuVIS) formed by flexibly designed multi-qubit gates for higher speed and accuracy of quantum computing. The controlling of qubits for realizing the gates in a QuVIS is variationally achieved using the fine-grained time optimization algorithm. Significant reductions in both the error accumulation and time cost are demonstrated in realizing the swaps of multiple qubits and quantum Fourier transformations, compared with the compiling by a standard QIS such as the quantum microinstruction set (QuMIS, formed by several one- and two-qubit gates including one-qubit rotations and controlled-NOT gates). With the same requirement on quantum hardware, the time cost for QuVIS is reduced to less than one half of that for QuMIS. Simultaneously, the error is suppressed algebraically as the depth of the compiled circuit is reduced. As a general compiling approach with high flexibility and efficiency, QuVIS can be defined for different quantum circuits and be adapted to the quantum hardware with different interactions.

I. INTRODUCTION

Efficient compiling of quantum algorithms to physically-executable forms belongs among the fundamental issues of quantum computing. A widely-recognized compiling method is to transform the circuit into the product of executable elementary gates, which are named the quantum instruction set (QIS) [1–5]. A QIS should be constructed according to the fundamental physical mechanism of the quantum hardware. For instance, a superconducting quantum computer can adopt the quantum microinstruction set (QuMIS) [6] as the instructive set it is formed by several one- and two-qubit gates including the one-qubit rotations and controlled-NOT (CNOT). For quantum photonic circuits, the elementary gates represent certain basic operations on single photons [7, 8]. The efficiency of compiling a given quantum algorithm with a chosen QIS can be characterized by the complexity (e.g., depth) of the compiled circuit.

A typical way to realize the elementary gates in a QIS is by controlling dynamics of quantum hardware. Different quantum platforms are usually described by different controlling process. For instance, superconducting circuits employ microwave-pulse techniques to manipulate the qubits [9, 10] through, e.g., cross resonance [11], parametric modulation [12], etc. Another typical type of quantum hardware involves nuclear magnetic resonance (NMR) systems [13–21]. For such systems, a key issue in realizing quantum circuits or algorithms, such as Shor’s factoring algorithm [22] and Harrow-Hassidim-Lloyd related algorithms [23], is to determine the tunable time-dependent pulses. The efficiency can be characterized by the time cost of the controlling process.

For two-qubit gates, such as CNOT and swap gates, the optimal time cost has theoretically-given bounds [24–26]. For

N -qubit gates with $N > 2$, such bounds are not rigorously given in most cases, and variational methods including machine learning (ML) techniques have recently been adopted in such optimal-control problems [27–37]. Besides, quantum many-body systems have also been used to implement measurement-based quantum computation [38–44]. However, most conventional methods concern the controlling of a few qubits. The utilizations of the many-body dynamics for quantum computing [29, 32, 33, 36, 45–47] are much less explored due to the exponentially high complexity.

For all known quantum computing platforms, noise is inevitable and will induce computational errors that make the results unstable or unreliable. One way to fight against errors is to use error correction codes [48], such as Calderbank-Shor-Steane codes [49], Reed-Muller quantum codes [50], and toric codes [51]. However, the implementation of quantum error correction codes will significantly increase not only the number of qubits but also the complexity of circuits. This issue is particularly important in the noisy intermediate-scale quantum (NISQ) era, where the number of available qubits and the connectivity between them are limited. Besides, noise will also lead to decoherence, meaning that the qubits will gradually become less entangled, losing the supremacy over classical computing. Prolonging the coherence time and reducing the time cost so that the quantum computing tasks are executed within the coherence duration belong to the significant and challenging issues for quantum computing in the NISQ era (see, e.g., Refs. [52–56]).

Aiming at higher efficiency and accuracy, we here propose the quantum variational instruction set (QuVIS) for compiling the quantum circuits. A QuVIS is defined as the flexibly-designed multi-qubit quantum gates that can be realized by controlling the magnetic pulses imposed on the interacting spins in quantum hardware. The pulse sequences are variationally determined using the fine-grained time optimization (FGTO) algorithm [36], which manages to efficiently realize the given multi-qubit unitary transformations. We take

* Corresponding author. Email: feishm@cnu.edu.cn

† Corresponding author. Email: sjran@cnu.edu.cn

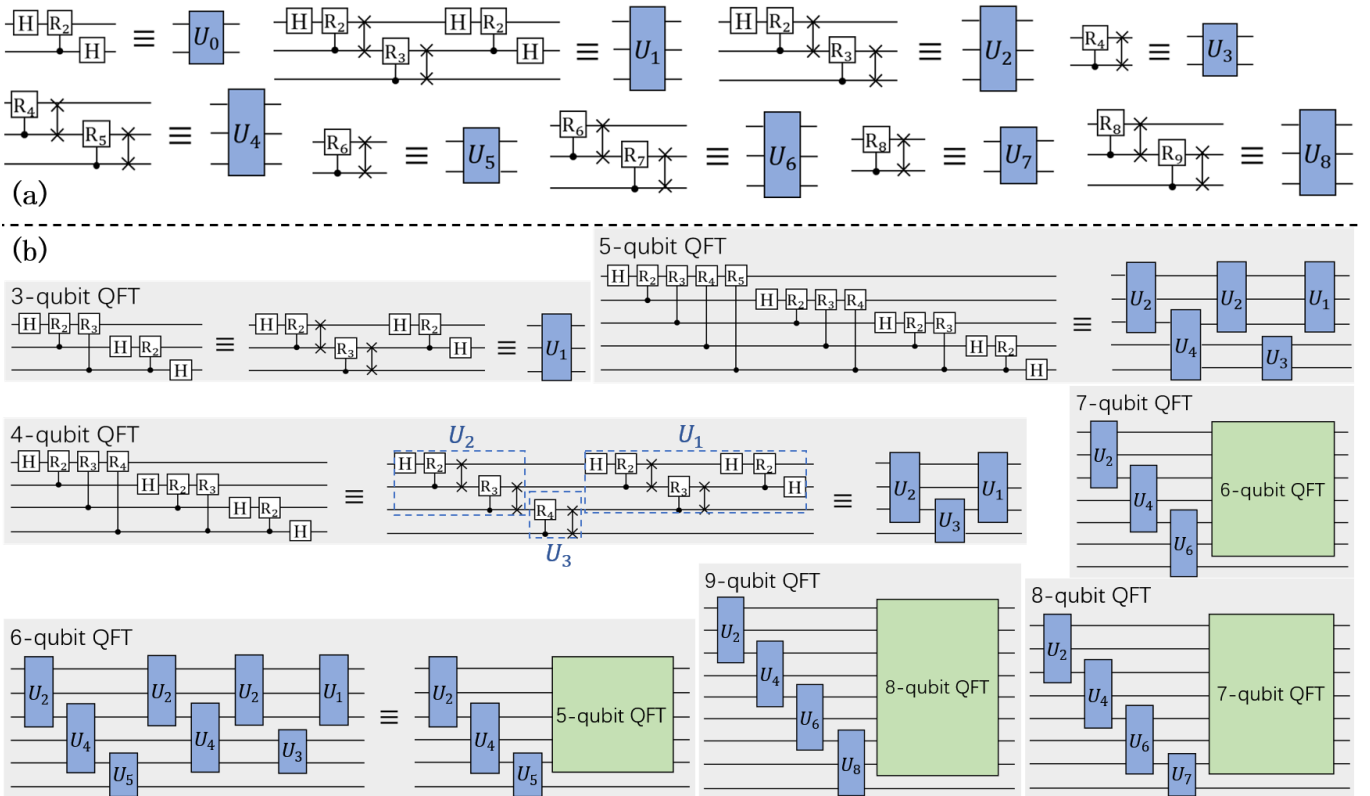


FIG. 1. (Color online) (a) The nine elementary gates $\{U_m\}$ ($m = 0, \dots, 8$) in the three-qubit QuVIS for compiling the N -qubit QFT circuits for $N \leq 9$. We use “H” to denote a Hadamard gate, two crosses connected by a vertical line to denote a SWAP gate, and “ R_p ” connected to a dot to denote controlled phase shift gate with the phase $\theta = \pi/2^p$. The error and the time used to implement each elementary gate are shown in Table I. By adding necessary SWAP gates, the N -qubit QFT circuits compiled by the three-qubit QuVIS are shown in (b).

QuMIS [6] as an example to compare the performances (error and time cost). Our results show that QuVIS significantly reduces the number of elementary gates in the compiled circuit, thus suppressing the accumulation of errors and the time cost. These advantages of QuVIS are demonstrated by compiling the circuits of N -qubit quantum Fourier transformation (QFT) [57–59] and multi-qubit SWAP circuits. We show the elementary gates of the QuVIS designed for the N -qubit QFT in Fig. 1 (a) and the compiled circuits for $N = 3, \dots, 9$ in Fig. 1(b). Thanks to the generality and stability of FGTO in realizing unitary transformations, QuVIS can be adaptively defined for different types of quantum hardware with various interaction types (e.g., Ising or Heisenberg interactions), connectivities, and strengths among the qubits, according to the quantum hardware considered.

II. VARIATIONAL INSTRUCTION SET

To realize a target unitary transformation \hat{U} , we optimize the adjustable parameters in the time-dependent Hamiltonian $\hat{H}(t)$ so that the time evolution operator in the duration T optimally gives \hat{U} , i.e., $\hat{U} \simeq e^{-i \int_0^T \hat{H}(t) dt}$. We take the Planck constant $\hbar = 1$ for simplicity. In many of the existing types of quantum hardware, the adjustable parameters of

the Hamiltonian concern the one-body terms, i.e., the magnetic pulses [16, 17, 60, 61]. We here take the Ising model with time-dependent transverse fields for demonstration. The Ising Hamiltonian can be written as

$$\hat{H}(t) = \sum_{nn'} J_{nn'} \hat{S}_n^z \hat{S}_{n'}^z - 2\pi \sum_n [h_n^x(t) \hat{S}_n^x + h_n^y(t) \hat{S}_n^y], \quad (1)$$

with \hat{S}_n^α being the spin operator in the α direction ($\alpha = x, y, z$), $J_{nn'}$ being the coupling constants between the n -th and n' -th spins, and $h_n^\alpha(t)$ being the adjustable magnetic pulses along the spin- α direction on the n -th spin at the time t . The goal becomes optimizing $h_n^\alpha(t)$ to minimize the difference

$$\varepsilon = \left| \hat{U} - e^{-i \int_0^T \hat{H}(t) dt} \right| \quad (2)$$

where $|\cdot|$ is the Frobenius norm. Such optimizations can be efficiently implemented by the gradient-descent methods even when \hat{U} concerns multiple qubits.

Due to the generality of the optimization scheme, we are able to consider additional introduce the restriction in the optimization process. For instance, we may restrict that only the magnetic field in either the x or y direction can be imposed at each time, or that the strength of magnetic fields should be limited to a certain range. Such restrictions (and many restric-

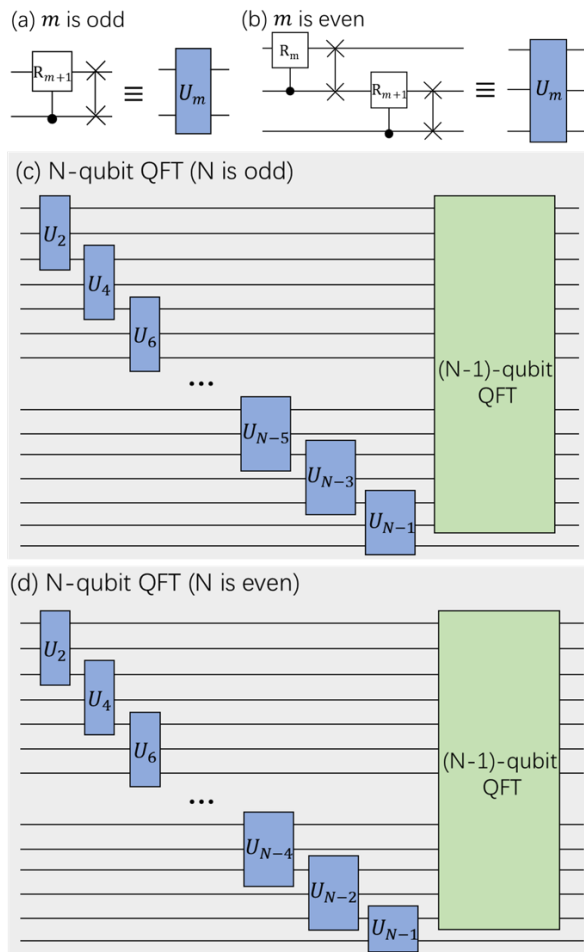


FIG. 2. (Color online) The elementary gates for compiling the QFT circuits with three-qubit QuVIS can be recursively derived. (a) and (b) show the definitions of the m -th elementary gate U_m for $m \geq 3$ with odd and even m , respectively. The circuit after compiling the N -qubit QFT circuit can also be derived as illustrated in (c) for odd N and (d) for even N .

tions in realistic hardware) will not break the automagical differentiation chain, and thus can be readily considered in the optimization.

We utilize the fine-grained time optimization (FGTO) [36] to optimize the pulse sequences for the target gates. The idea is to avoid being trapped in local minima by gradually fine-graining the time discretization. The validity of this strategy has been demonstrated on the state-preparation tasks. We take the Trotter-Suzuki form [62, 63] and discretize the total time T to \tilde{K} identical slices. The evolution operator can be approximated as

$$\hat{U}(T) = e^{-i\tau\hat{H}(\tilde{K}\tilde{\tau})} \dots e^{-i\tilde{\tau}\hat{H}(2\tilde{\tau})} e^{-i\tilde{\tau}\hat{H}(\tilde{\tau})}, \quad (3)$$

with $\tilde{\tau} = \frac{T}{\tilde{K}}$ controlling the Trotter-Suzuki error. To vary the magnetic fields, we introduce $\tau = \kappa\tilde{\tau}$ with κ being a positive integer, and assume $h_n^\alpha(t)$ to take the constant value $h_n^\alpha(t) = h_{n,k}^\alpha$ during the time $(k-1)\tau \leq t < k\tau$ (with $k = 1, \dots, K$ and $K = \frac{T}{\tau}$). In other words, τ controls the

maximal frequency of the magnetic pulses, and the magnetic fields are allowed to change K times in the controlling duration. During the optimization, τ is reduced gradually to increase the fineness of time discretization. We start from a relatively large τ and reduce it to $\tau/2$ when $\{h_{n,k}^\alpha\}$ converge. The length (i.e., the dimension of the index k) of the pulse sequences will be doubled. At the beginning of the optimization with a new (smaller) τ , the pulse sequences are initialized as $h_{n,2k'-1}^\alpha = h_{n,2k'}^\alpha \leftarrow h_{n,k}^\alpha$.

The magnetic fields are updated as

$$h_{n,k}^\alpha \leftarrow h_{n,k}^\alpha - \eta \frac{\partial \varepsilon}{\partial h_{n,k}^\alpha}, \quad (4)$$

where the gradients $\frac{\partial \varepsilon}{\partial h_{n,k}^\alpha}$ can be obtained by, e.g., the automatic differentiation technique in PYTORCH [64]. We use the optimizer ADAM [65] to dynamically control the learning rate η .

The QuVIS for different quantum circuits can be defined flexibly. Specifically, we call a QuVIS an \tilde{N} -qubit QuVIS when the elementary gates within it are at most \tilde{N} -qubit gates. Let us take the QFT as an example, which is one of the most frequently used circuits in implementing quantum algorithms including the Shor [66] and Grover algorithms [67]. Fig. 1 (a) gives the three-qubit QuVIS for the N -qubit QFT with $N \leq 9$, and Fig. 1 (b) shows the circuits after compiling. The magnetic fields to realize each elementary gate are obtained by the algorithm explained above.

The complexity of obtaining the magnetic fields on a classical computer (i.e., optimization complexity) increases exponentially with \tilde{N} (the maximal number of qubits in the elementary gates of QuVIS). This optimization complexity is independent of the number of qubits N in the circuit that is to be compiled. In comparison, we may consider the whole quantum circuit as a large unitary transformation, and use FGTO to minimize the distance between this unitary transformation and the time-evolution operator. We dub such a simple and “brute-force” scheme “direct control”, which will be used later as a baseline. In this case, we need to simulate the time evolution of an N -qubit system; thus the optimization complexity of the direct control scheme increases exponentially with N .

Here we focus on the QuVIS with $\tilde{N} = 2$ and 3, which already exhibits significant advantages in term of efficiency and accuracy (see the benchmark results). Be aware that one can use a desktop computer to access the QuVIS’s for $\tilde{N} \leq 6$ without any problems. QuVIS can also be designed flexibly for different quantum circuits or algorithms other than QFT. More details on the optimization and the controlling sequences for realizing the elementary gates of QuVIS can be found in the Supplemental Material [68].

The elementary gates or (most of them) in a QuVIS can be derived recursively. Taking the QuVIS for QFT as an example, the elementary gates from U_0 to U_2 are designed manually. Clear regularity appears to derive the rest of gates recursively. For the definitions of the elementary gates in QuVIS, the m -th gate U_m is composed of the rotational gate R_{m+1} and a SWAP gate when m is odd. For an even m , U_m is composed of two rotational gates (R_{m+1} and R_m) and two SWAP gates; see Figs. 2(a) and (b). When compiling the N -qubit

TABLE I. The time cost T to implement the elementary gates $\{\hat{U}_m\}$ ($m = 0, \dots, 8$) of the 3-qubit QuVIS [Fig. 1(a)] for QFT. The second row shows the results by directly taking $\{\hat{U}_m\}$ as the target gates in Eq. (2), and the third row shows those by compiling $\{\hat{U}_m\}$ to the product of the elementary gates in QuMIS.

T	\hat{U}_0	\hat{U}_1	\hat{U}_2	\hat{U}_3	\hat{U}_4	\hat{U}_5	\hat{U}_6	\hat{U}_7	\hat{U}_8
QuVIS	0.3	2.1	2.1	1.4	2.4	1.5	2.4	1.5	2.4
QuMIS	2.3	8.4	6.0	2.6	5.1	2.5	5.0	2.5	5.0

QFT by QuVIS, the circuit consists of $U_2, U_4, U_6, \dots, U_{N-5}, U_{N-3}, U_{N-1}$ and the $(N-1)$ -qubit QFT circuit, when N is odd [Fig. 2(c)]. When N is even, the N -qubit QFT circuit consists of $U_2, U_4, U_6, \dots, U_{N-4}, U_{N-2}, U_{N-1}$ and the $(N-1)$ -qubit QFT circuit [Fig. 2(d)].

III. BENCHMARK RESULTS

Below, we take the Hamiltonian for time evolution to be the nearest-neighbor Ising chain, where the coupling constants satisfy

$$J_{nn'} = \begin{cases} 2\pi & \text{for } n' = n + 1 \\ 0 & \text{otherwise} \end{cases}. \quad (5)$$

In our demonstration, we fix the magnetic fields along the spin-z direction as zero and allow the fields to be independently adjusted along the spin-x and spin-y directions. Such a case often appears in situations involving control using radio-frequency pulses [17, 69].

Table I shows the time cost T for realizing the elementary gates $\{\hat{U}_m\}$ ($m = 0, \dots, 8$) by FGTO (first row of data). For comparison, we also estimate the time cost by compiling each gate to the product of the elementary gates in QuMIS (second row of data). To conveniently and fairly compare the time cost, we take the T when the error [Eq. (2)] decreases to about $O(10^{-2})$. The time cost of implementing the elementary gate in the QuVIS using FGTO is significantly lower than that when compiling them into the product of the elementary gates in QuMIS. Note that in general, the loss function will decrease as the total time duration T increases, until the limit of the optimization scheme is reached. Such a limit is determined by many factors including the gradient step (learning rate) and other optimization tricks (such as the optimizer, for which we choose adaptive moment estimation [70]). In our simulations, the loss function eventually converges to about $O(10^{-6})$ (see Fig. S2 in the Supplemental Material).

In Fig. 3, we demonstrate the time costs T and the error ε in realizing the circuits for N -qubit QFT. The direct control scheme is used as a baseline method to compare with QuVIS and QuMIS. Though it exhibits the lowest error, its disadvantage is that the computational cost increases exponentially with the number of qubits N in the quantum circuit to be compiled. Thus, it is not feasible to apply it to circuits of large size.

Compared with QuMIS, significant reductions in both the time cost T and the error ε are demonstrated when using the

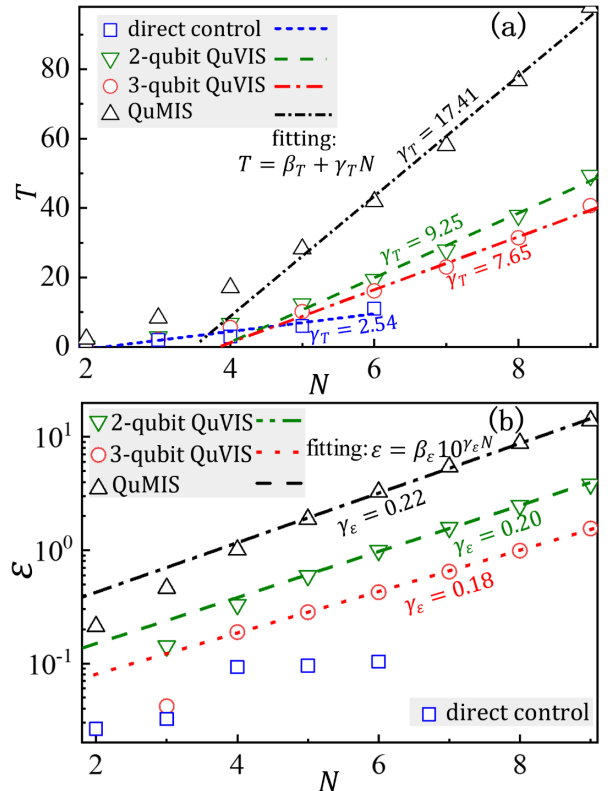


FIG. 3. (Color online) (a) The time cost T and (b) the error ε in realizing the N -qubit QFT using direct control, two-qubit QuVIS, three-qubit QuVIS, and QuMIS. The various dashed lines give the linear fitting of the time cost T vs N [Eq. (6)]. In the optimization for direct control, the time cost is estimated under the condition that ε is no more than 10^{-1} . For the two-qubit QuVIS, three-qubit QuVIS, and QuMIS, ε changes exponentially with N [Eq. (7)]. Note that fittings are performed using the data for $N \geq 5$.

two- and three-qubit QuVIS for compiling. Since T is determined by the number of elementary gates and the time to realize each of them, it is approximately linear with the number of qubits N . We have

$$T = \gamma_T N + \beta_T, \quad (6)$$

with the slopes $\gamma_T \simeq 17.41, 9.25$, and 7.65 for QuMIS, \tilde{N} -qubit QuVIS with $\tilde{N} = 2$, and \tilde{N} -qubit QuVIS with $\tilde{N} = 3$, respectively.

Since each elementary gate inevitably introduces certain error [fixed to be $O(10^{-2})$] in our simulations, the error ε for the whole circuit generally accumulates exponentially as N increases. We have

$$\varepsilon = \beta_\varepsilon e^{\gamma_\varepsilon N}, \quad (7)$$

with the exponent coefficient $\gamma_\varepsilon = 0.22, 0.2$, and 0.18 for QuMIS, \tilde{N} -qubit QuVIS with $\tilde{N} = 2$, and \tilde{N} -qubit QuVIS with $\tilde{N} = 3$. A reduction in γ_ε indicates an algebraic improvement, essentially because the number of elementary gates (i.e., the depth) of the compiled circuit is reduced by increasing \tilde{N} .

The key advantage of QuVIS is the “end-to-end” optimization strategy for the magnetic pulses. When a unitary transformation is compiled into the product of several gates, the

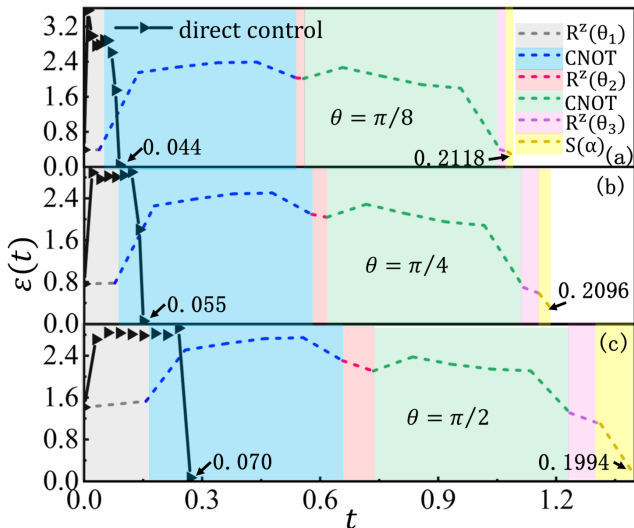


FIG. 4. (Color online) The error $\varepsilon(t)$ [Eq. (8)] vs the evolution time t to realize the controlled phase shift gate [Eq. (9)]. The dashed lines and the solid lines with triangles show the $\varepsilon(t)$ obtained using QuMIS and direct control, respectively. The colored shading indicates the time cost for realizing the gates on the right-hand-side of Eq. (10).

conventional schemes require accurate implementations of all gates. However, we actually care about the unitary transformation itself, not any intermediate results within the compiled circuit.

An \tilde{N} -qubit QuVIS is designed by dividing the target circuit into many sub-circuits [Fig. 1(b)], where each sub-circuit has at most \tilde{N} -qubit and the total number of sub-circuits should be as small as possible. These sub-circuits define the elementary gates in the QuVIS [Fig. 1(a)]. The magnetic pulses are optimized by directly finding the optimal path to each elementary gate, without considering the intermediate results within the corresponding sub-circuit. Meanwhile, a properly designed QuVIS will significantly reduce the number of elementary gates in a compiled circuit. For these reasons, a circuit compiled by a QuVIS exhibits much less error and lower time cost compared with one compiled by a standard QIS.

To provide an explicit demonstration, we show in Fig. 7 the error $\varepsilon(t)$ in the controlling duration

$$\varepsilon(t) = \left| \hat{U}(\theta) - e^{-i \int_0^t \hat{H}(t') dt'} \right|. \quad (8)$$

This quantity gives the distance at a certain time point t with $0 \leq t \leq T$, where the magnetic fields are still optimized by minimizing $\varepsilon(T)$ [Eq. (2)]. As an example, we take $\hat{U}(\theta)$ to be the controlled phase shift gate

$$\hat{U}(\theta) = \begin{bmatrix} 1 & 0 & 0 & 0 \\ 0 & 1 & 0 & 0 \\ 0 & 0 & 1 & 0 \\ 0 & 0 & 0 & e^{i\theta} \end{bmatrix}. \quad (9)$$

For the phase shift $\theta = \frac{\pi}{8}, \frac{\pi}{4},$ and $\frac{\pi}{2}$, Fig. 7 compares the error $\varepsilon(t)$ [Eq. (8)] obtained when directly minimizing the distance to the target gate (direct control) and when using the standard compiling. Using QuMIS, $\hat{U}(\theta)$ is decomposed to the

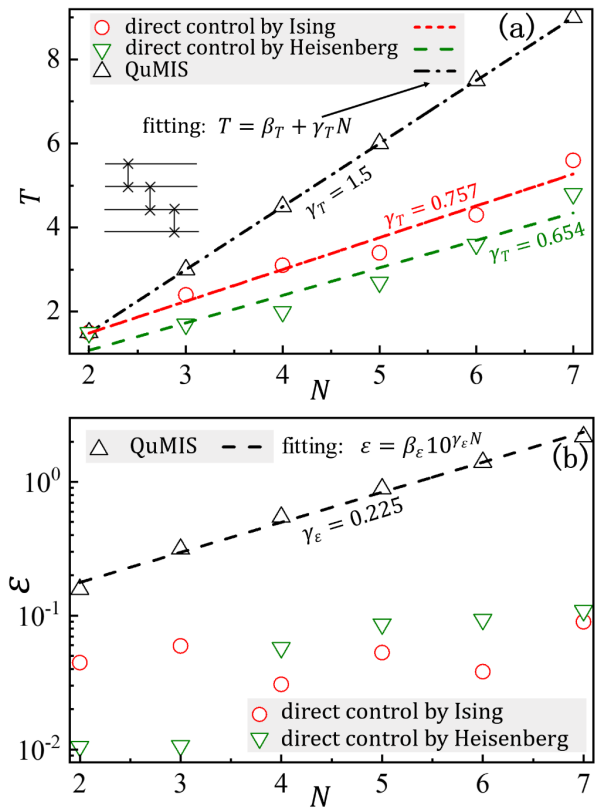


FIG. 5. (Color online) (a) The time cost T and (b) the corresponding error ε for the N -qubit SWAP circuit using direct control with Ising and Heisenberg interactions. The inset in (a) illustrates the circuit for a four-qubit swap. The data for QuMIS with Ising interactions are also given for comparison. The fitting functions of T and ε are given in Eqs. (6) and (7), respectively.

product of the single-qubit rotation gates \hat{R}^z and CNOT gates \hat{C} , which can be formally written as

$$\hat{U}(\theta) = \hat{S}(\alpha) \hat{R}^z(\theta_1) \hat{C} \hat{R}^z(\theta_2) \hat{C} \hat{R}^z(\theta_3), \quad (10)$$

where $\hat{R}^z(\theta_1)$, $\hat{R}^z(\theta_2)$ and $\hat{R}^z(\theta_3)$ are single-qubit rotations along the spin-z direction satisfying $\hat{R}^z(\theta_1) \hat{R}^z(\theta_2) \hat{R}^z(\theta_3) = I$, and $\hat{S}(\alpha) = e^{i\alpha}$ a phase factor [71]. Note that all single-qubit gates in Eq. (10) act on the second qubit. In other words, when the control qubit (the first one here) is in the state $|1\rangle$, the target qubit (the second one) will be acted on by $\hat{S}(\alpha) \hat{R}^z(\theta_1) \hat{X} \hat{R}^z(\theta_2) \hat{X} \hat{R}^z(\theta_3)$ with \hat{X} being the Pauli-X operator.

The time costs of realizing the elementary gates in QuMIS are illustrated by the colored shading in Fig. 7. The time cost of direct control is indicated by the x-coordinate of the last triangle, which is about five times shorter than QuMIS. Note that for a single-qubit rotation $\hat{R}^\alpha(\theta)$, it can be written as the one-body evolution operator with the magnetic field along the corresponding direction, i.e., $\hat{R}^\alpha(\theta) = e^{-i\theta \hat{S}^\alpha} \Leftrightarrow \hat{U}(h^\alpha, T) = e^{-iT h^\alpha \hat{S}^\alpha}$. Therefore, the time cost of $\hat{R}^\alpha(\theta)$ is estimated as $T = \frac{\theta}{h^\alpha}$. Without losing generality, we here take $h^\alpha = 10$ to estimate the time costs of single-qubit rotations.

An important observation is that even the time cost of a single CNOT gate ($T = 0.5$ theoretically given in Refs. [25, 26]) is larger than that of $\hat{U}(\theta)$ by direct control. Meanwhile, direct control also exhibits much lower errors with $\varepsilon \sim O(10^{-2})$. For QuMIS, the error accumulates and finally reaches $O(10^{-1})$ which is about ten times larger than that obtained using direct control. Therefore, from the perspective of QuVIS, it becomes less efficient and accurate when decomposing the $\hat{U}(\theta)$ into the product of CNOT gates and the single-qubit rotations.

The pulse sequences can be optimized for the quantum platforms with different interactions. Fig. 5 shows the time cost T and the corresponding error ε for the N -qubit SWAP circuit using direct control with Ising and Heisenberg interactions. The circuit swaps the first qubit with the last [see the inset of Fig. 5(a)]. The time T is estimated by keeping the error of each elementary gate to be $O(10^{-1})$ or less. Linear scaling of T given by Eq. (6) is observed for both kinds of interactions. Thanks to the flexibility of the optimization algorithm, pulse sequences can be obtained for any type or strength of the interactions, and the error of realizing the elementary gates can be readily estimated.

IV. SUMMARY

We here propose the quantum variational instruction set (QuVIS) for efficient quantum computing based on the dynamics of the interacting spin systems controlled by pulse sequences of magnetic fields. The key idea of QuVIS is to flexibly define the multi-qubit elementary gates, where we ignore the intermediate processes but optimize the magnetic fields to directly realize the target unitary transformations. By taking the N -qubit quantum Fourier transformation as an example, significant reductions in the time cost and error accumulations are demonstrated compared with the standard quantum instruction set. QuVIS provides a flexible quantum compiling scheme generally for quantum platforms with known interactions. For cases where the interactions are unknown, one can combine QuVIS with methods that estimate the interactions using, e.g., machine learning of the local observables and reduced density matrices [72–74].

V. SUPPLEMENTAL MATERIAL

In this supplemental material, we provide more information on realizing N -qubit quantum Fourier transformation (QFT) by direct control, and the sequences of magnetic fields for realizing the elementary gates $\{\hat{U}_m\}$ ($m = 0, \dots, 8$) in the 3-qubit quantum variational construction set (QuVIS) for QFT.

As an example, we take the time-dependent Hamiltonian as the quantum Ising model with transverse fields, which reads

$$\hat{H}(t) = \sum_{n=1}^{N-1} 2\pi \hat{S}_n^z \hat{S}_{n+1}^z - \sum_{n=1}^N [2\pi h_n^x(t) \hat{S}_n^x + 2\pi h_n^y(t) \hat{S}_n^y]. \quad (11)$$

Its adjustable parameters only concern the one-body terms, i.e., the magnetic fields along the spin- x and y directions. The evolution operator for the time duration T is approximated by Trotter-Suzuki decomposition (we take Planck constant $\hbar = 1$ as the energy scale) as

$$e^{-i \int_0^T \hat{H}(t) dt} \simeq \prod_{k=1}^K \prod_{\tilde{k}=1}^{\lfloor \tilde{\tau}/\tau \rfloor} \exp \left[-i 2\pi \tau \left(\sum_{n=1}^{N-1} \hat{S}_n^z \hat{S}_{n+1}^z + \sum_{n=1}^N h_{n,k}^x \hat{S}_n^x + \sum_{n=1}^N h_{n,k}^y \hat{S}_n^y \right) \right], \quad (12)$$

with $\tau = T/K$ controlling the maximal frequency of the pulse sequences, $\tilde{\tau} \leq \tau$ the Trotter step that controls the Trotter error, and $\lfloor * \rfloor$ the round-down operation. Specifically speaking, we assume that the magnetic field on the n -th qubit along the α direction for $(k-1)\tau < t \leq k\tau$ takes the constant value $h_{n,k}^\alpha$. An extra term $\exp[-i 2\pi \tau' \hat{H}(t)]$ will be added for each k if $\tilde{\tau}/\tau$ is not an integer, with $\tau' = \tau - \tilde{\tau} \lfloor \tilde{\tau}/\tau \rfloor$. To realize a target unitary transformation \hat{U} (which can be a circuit or an elementary gate in a QuVIS), the goal is to optimize $\{h_{n,k}^\alpha\}$ so that the evolution operator approximately gives the unitary transformation, i.e., $\hat{U} \simeq e^{-i \int_0^T \hat{H}(t) dt}$. The error can be characterized by the distance between these two operators as

$$\varepsilon = \left| \hat{U} - e^{-i \int_0^T \hat{H}(t) dt} \right|. \quad (13)$$

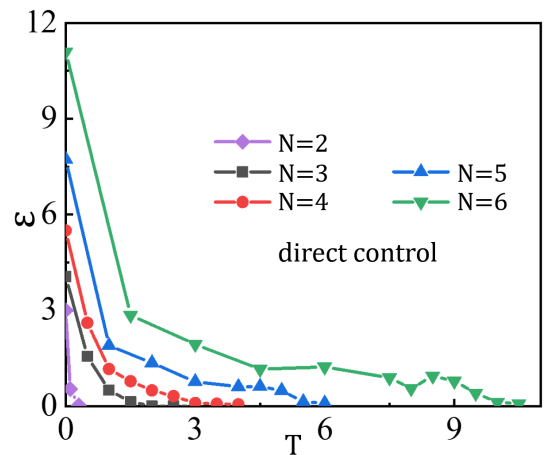


FIG. 7. (Color online) The error ε [Eq. (13)] with different total evolution duration T for the N -qubit QFT with $N = 2, \dots, 6$ by the direct control. In general, one can get lower ε by increasing T . Longer evolution time is required to reach a preset error if N increases. The errors from the direct control are controlled to be about 10^{-2} .

The minimization of ε suffers from the local minima. In the reference [Phys. Rev. A 104, 052413 (2021)], the fine-grained time optimization (FGTO) is proposed. Its key idea is to gradually decrease τ the discretization of time. We start from a relatively large τ and reduce it to $\tau/2$ when $\{h_{n,k}^\alpha\}$ converge. The length (i.e., the dimension of the index k) of

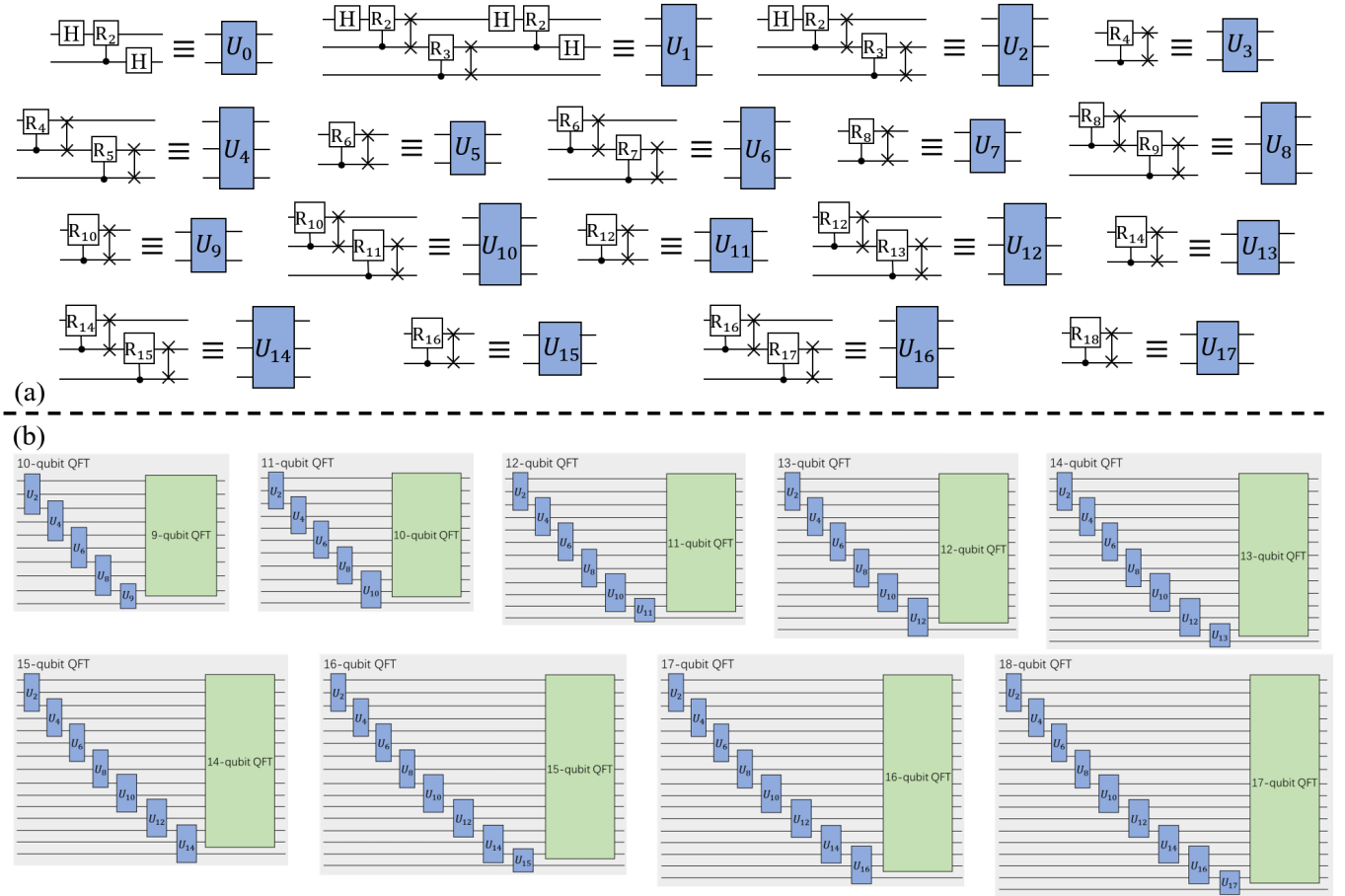


FIG. 6. (Color online) (a) The 18 elementary gates in the 3-qubit QuVIS for compiling the N -qubit QFT circuits. (b) The quantum circuits obtained by compiling the N -qubit QFT using 3-qubit QuVIS.

the pulse sequences will be doubled. At the beginning of the optimization with a new (smaller) τ , the pulse sequences are initialized as $h_{n,2k'}^\alpha = h_{n,2k'}^\alpha \leftarrow h_{n,k'}^\alpha$.

Fig. 8 shows the error ε against T for the elementary gate U_0 and U_1 of the 3-qubit QuVIS, where ε gradually decreases with T and finally converges to about $O(10^{-6})$. Such a convergence is relevant to the gradient step, the optimization tricks, and etc.

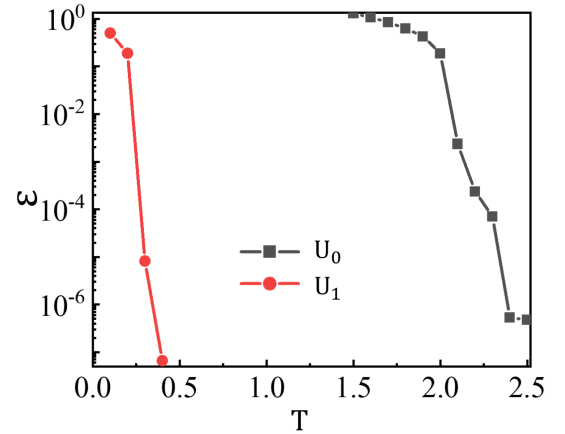


FIG. 8. (Color online) The error ε [Eq. (13)] against T for the elementary gate U_0 and U_1 of 3-qubit QuVIS.

TABLE II. The magnetic field $\{h_{n,k}^x\}$ and $\{h_{n,k}^y\}$ to realize the U_0 . We take the total time $T = 0.3$, $K = 30$, and thus the Trotter step $\tau = 0.3/30$.

U_0	$n = 1(x)$	$n = 2(x)$	$n = 1(y)$	$n = 2(y)$
k = 1	-6.3436	-3.7902	-10.6531	-2.2952
k = 2	-3.6063	-2.5666	-7.8483	-0.9786
k = 3	-0.8042	-1.4897	-2.7742	-0.5759
k = 4	1.4108	0.2407	-2.0954	1.4366
k = 5	-0.2386	0.8113	-0.7169	-0.8223
k = 6	-0.6567	-0.4742	-1.0502	-0.1966
k = 7	-2.5890	2.2577	1.8811	1.2432
k = 8	-3.5995	8.3355	4.0959	3.7025
k = 9	-9.7905	15.0687	8.3486	9.4295
k = 10	-10.9155	14.8157	8.1618	9.3899
k = 11	-7.2839	9.6363	3.7334	4.5950
k = 12	-1.7695	2.3193	0.4712	1.1888
k = 13	-0.7274	0.7271	0.2993	-0.5318
k = 14	-0.0610	-1.7262	0.3490	-0.6623
k = 15	-0.5250	-0.4243	0.4238	0.2466
k = 16	1.7278	-0.2230	-0.5317	-1.1350
k = 17	0.0913	0.4952	0.4933	0.5174
k = 18	1.1080	0.0677	-0.8623	1.2928
k = 19	0.5613	1.2517	-0.7554	0.1241
k = 20	-1.4861	-1.0340	-0.0924	-0.5402
k = 21	-0.4367	-0.1092	1.2535	0.4316
k = 22	0.4703	0.3763	0.1804	-1.5238
k = 23	1.3779	0.0176	-0.5020	1.3240
k = 24	-0.0154	1.4071	-0.3968	-0.1486
k = 25	0.2852	0.8851	-1.1667	-0.7854
k = 26	1.0493	0.2743	-0.1713	0.5072
k = 27	-1.0012	0.0204	-0.4635	0.1802
k = 28	-0.1479	-1.7088	1.1921	2.6167
k = 29	0.2587	-1.3326	0.3467	8.3018
k = 30	-3.6296	-4.6202	1.6824	13.9121

TABLE III. The magnetic field $\{h_{n,k}^x\}$ and $\{h_{n,k}^y\}$ to realize the U_1 . We take the total time $T = 2.1$, $K = 210$, and thus the Trotter step $\tau = 2.1/210$.

U_1	$n = 1(x)$	$n = 2(x)$	$n = 2(x)$	$n = 1(y)$	$n = 2(y)$	$n = 2(y)$
k = 1	-3.4147	-3.8211	-2.0099	16.7485	-0.7455	3.0740
k = 2	-0.8133	0.2982	-0.9820	5.5036	-0.4445	4.3913
k = 3	0.0319	0.3530	-1.1379	2.4777	0.1856	4.3259
k = 4	1.0085	1.8844	-0.8803	-0.2038	-0.5711	1.7134
k = 5	1.8824	2.4604	-1.5054	2.3626	1.0999	1.3400
k = 6	0.0705	0.6606	-1.6240	-0.3138	1.3012	0.1534
k = 7	1.2676	-0.1463	-1.6989	-0.0276	0.6886	-0.0877
k = 8	-0.0844	0.4414	-0.2004	-0.1291	-1.6622	-2.4073
k = 9	-0.0049	0.5100	-0.3836	0.2350	1.2074	0.5928
k = 10	0.2562	1.2860	0.5758	0.4566	-0.5847	-0.7951
k = 11	0.4229	-0.2634	2.3422	0.3876	0.7007	-1.6211
k = 12	0.6171	-0.8857	0.5191	-0.6533	-0.3883	-3.2495
k = 13	-1.0714	0.0198	2.4038	-0.2674	0.0805	-3.3685
k = 14	0.3092	-0.3611	3.1461	-0.5552	-1.2283	-2.9055
k = 15	-0.3125	-0.5026	1.5848	-0.8636	-0.3548	-3.4281
k = 16	-0.2428	0.4804	-0.4931	1.5621	0.1488	-3.4240
k = 17	0.8039	0.5937	1.0759	-0.6678	0.5464	-3.9306
k = 18	-0.9167	-0.8745	-0.0585	0.8266	0.3088	-4.9664
k = 19	-0.5853	-0.9372	-0.2507	-1.0405	0.1533	-4.1153
k = 20	-0.0736	-0.7058	-0.6681	-0.9849	-0.8221	-0.8515
k = 21	-1.0554	-0.9907	-1.2716	-0.1011	1.3063	0.1300
k = 22	-2.3522	-2.1188	1.0767	-0.6782	0.8369	-1.1784
k = 23	-1.2217	-4.0387	1.1589	-2.8714	-1.3640	-0.8764
k = 24	-1.9387	-1.5465	0.5893	-1.4291	-0.1402	-0.5009
k = 25	-1.6625	-2.3744	0.1241	-1.4803	0.4519	-1.1503
k = 26	-2.5193	-4.0149	1.9440	-2.4898	-1.0445	0.3162
k = 27	-0.4150	-1.7092	2.0026	-1.8115	-1.0488	-0.4063
k = 28	-2.5318	-2.6098	0.4450	-1.4753	0.2544	0.6979
k = 29	-2.1763	-3.4708	0.9842	-2.6846	-1.4472	0.7161
k = 30	-0.6029	-1.0750	0.6086	-2.3789	0.3496	-0.1641
k = 31	-1.5332	-3.1712	-1.0694	-1.0335	-1.1311	1.5650
k = 32	-1.1240	-1.3616	1.5169	-1.7175	-0.7458	1.2908
k = 33	-1.8252	-1.0948	0.7538	-1.3476	-0.0981	-0.4058
k = 34	0.3358	-1.2475	0.7883	-1.0972	-1.4659	0.0194
k = 35	-0.9043	0.2713	0.2336	0.1542	0.4812	0.2448
k = 36	1.0882	0.8272	1.0814	1.0142	-1.8801	0.0957
k = 37	0.7293	1.5899	-0.0977	-0.1336	0.8470	0.4472
k = 38	0.2424	-0.1857	1.4733	0.7816	-0.5369	-1.1616
k = 39	0.5022	1.8581	0.6235	1.1648	-0.5315	-0.6321
k = 40	1.1886	1.1018	0.4796	0.2705	0.6710	-0.0911
k = 41	0.2829	0.7428	0.0290	1.6281	-0.4039	-0.3375
k = 42	-0.3313	0.6984	-0.3877	0.3296	0.3192	-1.0189
k = 43	0.6499	-1.0900	-0.6471	-0.6993	-0.1076	0.6677
k = 44	-1.1131	-0.2451	0.5027	-0.2010	-0.5470	0.2007
k = 45	1.5389	1.5040	1.0088	1.3115	-0.7731	-0.2459
k = 46	-0.2117	0.7633	-0.5196	-0.0789	0.6081	-2.1055
k = 47	0.6576	-0.6756	0.0015	0.3407	-0.3122	0.0659
k = 48	-0.5639	-0.2928	-0.3767	-0.6435	-0.0115	2.1621
k = 49	0.4355	0.0862	0.1733	-0.2984	-0.6924	0.5241
k = 50	-0.5587	-0.0612	-1.4305	0.2353	0.1287	0.2409

U_1	$n = 1(x)$	$n = 2(x)$	$n = 3(x)$	$n = 1(y)$	$n = 2(y)$	$n = 3(y)$
k = 51	-0.8192	-0.7235	-0.6687	0.7281	0.9322	-0.7641
k = 52	0.2525	-0.0066	1.0928	-1.5057	-1.9388	-0.7399
k = 53	-0.1577	-1.1730	-0.5157	-0.2108	0.6388	-0.1768
k = 54	0.0171	0.9999	0.0703	-0.1239	-0.6903	0.2969
k = 55	-0.1934	-0.8984	-0.3649	-0.1265	0.4941	-0.8252
k = 56	-0.5435	0.5608	-0.0205	1.1567	-2.0490	1.8442
k = 57	0.3730	0.2435	0.6328	0.0253	0.4051	-1.0176
k = 58	-0.1041	1.1201	-0.2486	0.1955	0.4392	0.2792
k = 59	0.6712	-1.7599	-1.6239	-0.5149	0.2197	0.0073
k = 60	-0.3862	0.3891	0.9713	-0.0644	-0.9717	1.0222
k = 61	0.1091	0.7370	0.2535	-0.1296	-0.4633	-0.0708
k = 62	-0.9368	-1.2044	0.1774	1.0362	0.0703	-0.9852
k = 63	-0.1158	0.7096	-0.4063	-0.5891	-0.4696	-1.2398
k = 64	0.7458	-0.0230	-0.5256	0.5461	-0.8800	0.5363
k = 65	0.4087	0.3105	1.0175	0.4399	0.8308	0.4978
k = 66	-1.1336	-1.1318	-1.3428	-0.6749	-0.7581	-0.2409
k = 67	-0.4246	0.6042	0.0546	0.2102	-0.9284	-0.0245
k = 68	-0.3268	-0.1534	-1.1469	0.4092	-0.3580	-0.3806
k = 69	0.3065	-0.3756	-0.1318	0.5049	-0.7214	-0.4102
k = 70	-0.1396	0.5964	0.9494	-1.1289	0.4816	-0.2729
k = 71	-0.0415	-0.1126	-1.2562	0.4876	-0.1782	0.0140
k = 72	0.0742	-0.6520	0.1015	0.8096	-1.5120	0.9765
k = 73	-1.2607	0.5914	0.2961	0.4578	-0.5015	-0.6162
k = 74	-0.2426	0.1014	-0.9106	0.3241	-0.2605	-0.6473
k = 75	0.0963	-0.8962	-0.3299	0.3464	-0.2060	-0.0192
k = 76	-2.4564	-0.9783	-0.1703	1.2220	-2.8604	-0.1388
k = 77	-1.3282	1.1254	-1.3201	1.9518	-2.0831	0.1960
k = 78	-3.3464	-1.9387	0.1348	2.2226	-2.1156	0.9485
k = 79	-1.2904	0.0854	-0.5258	3.4616	-3.3618	0.2907
k = 80	-3.6484	-0.2048	0.1880	1.9580	-3.3475	-0.5270
k = 81	-4.0249	0.6047	0.7093	2.4865	-3.0199	-0.2750
k = 82	1.1158	0.0480	-0.0764	1.4542	-0.4802	-0.7908
k = 83	-1.9373	-0.1539	-0.6784	0.5798	-0.3541	1.2778
k = 84	-0.4480	-0.4258	-0.1531	0.4771	-1.0867	-0.7276
k = 85	-0.9380	-0.3957	0.7547	1.3876	-1.3364	-0.8330
k = 86	-0.6785	-0.0601	0.2361	1.1397	-1.2687	1.1904
k = 87	-0.8903	1.4750	0.7987	2.0930	-0.3737	0.5962
k = 88	0.2481	-0.3543	-1.3561	-1.2810	-0.3077	-0.9846
k = 89	0.5961	0.9152	-1.0651	-0.9891	0.8453	-0.7857
k = 90	0.2093	0.6796	-0.0943	-1.1174	1.6282	0.7937
k = 91	1.2496	-0.2015	0.8431	0.1686	1.1860	-0.0055
k = 92	0.7832	-0.9352	-0.3586	-0.5382	-0.0002	-0.7935
k = 93	-0.1817	-0.0195	0.0331	0.2164	-0.8404	0.2537
k = 94	-0.6142	1.0755	-0.6808	0.1275	0.4172	-0.9302
k = 95	0.5604	0.1567	-0.4618	-1.3930	1.7317	1.2034
k = 96	0.4671	-0.0258	0.1204	-0.0171	-0.8760	-0.0719
k = 97	1.3370	0.0636	-0.6323	0.0008	1.3928	-1.5317
k = 98	0.3095	0.1771	-0.9435	-1.0459	0.9731	-0.1540
k = 99	-0.0927	-0.6081	-0.7563	0.6624	-0.4739	0.5242
k = 100	-0.2242	0.9923	0.4157	-1.1845	0.5700	0.3070

U_1	$n = 1(x)$	$n = 2(x)$	$n = 3(x)$	$n = 1(y)$	$n = 2(y)$	$n = 3(y)$
k = 101	-0.0430	-0.1798	-0.8335	0.2956	0.1394	0.1235
k = 102	0.1795	0.5883	1.3912	-0.5283	0.2500	-0.4987
k = 103	0.7849	-0.6582	-1.8932	-0.8270	1.3872	0.1138
k = 104	-0.2103	-0.2454	0.6195	1.5247	-0.8407	-0.5403
k = 105	-0.5493	-0.0167	-1.0297	-0.8404	0.1436	0.3149
k = 106	-0.0588	0.3188	0.3290	0.3744	0.2609	0.6131
k = 107	0.7508	-0.6567	0.4842	0.2464	0.4345	-0.6913
k = 108	-0.3468	0.5013	-0.2360	-1.0026	-0.7936	0.0466
k = 109	-0.8126	-0.0325	0.4108	0.7466	0.2845	0.6307
k = 110	0.3814	-0.2837	0.3226	-0.7339	-0.0248	0.0843
k = 111	-0.8790	-0.7201	1.0436	0.4348	-0.6178	1.2581
k = 112	0.4659	-1.1009	0.9424	0.2651	-0.8523	0.0310
k = 113	0.4561	0.2099	1.4528	0.4682	-1.3905	0.9090
k = 114	-1.4685	-0.4346	2.8768	0.2638	-2.0963	0.8676
k = 115	-0.4281	-0.2747	1.9207	-0.8205	-1.2604	0.8229
k = 116	1.2683	-0.2786	1.8562	-0.1067	-1.3139	0.6329
k = 117	-0.3188	-1.2553	3.0456	1.4255	-2.1918	1.3352
k = 118	1.1799	0.0002	2.4763	-0.2141	-2.7083	0.4553
k = 119	-0.4029	0.0553	1.2929	0.1120	-0.9577	0.5246
k = 120	-0.5726	-0.7088	1.5396	-0.1195	-1.5755	0.2934
k = 121	0.5433	0.4429	1.8865	-0.8678	-1.8923	1.7828
k = 122	-0.8434	-0.2333	1.9155	-0.0524	-0.5733	-0.0744
k = 123	0.8640	-0.7813	0.5913	0.5346	-1.6004	-0.2522
k = 124	1.0682	0.5988	0.3504	-0.3432	-0.6974	0.9899
k = 125	0.4970	0.3628	-0.1384	-0.1251	-0.4201	0.0601
k = 126	0.1049	-0.5864	1.2452	0.2847	0.0280	-1.2063
k = 127	-0.4758	-1.2236	0.5580	-0.5949	-0.7440	1.7869
k = 128	-0.0959	0.4593	1.0287	-0.7532	-2.1575	-0.6792
k = 129	0.9805	0.4649	0.1448	-1.0190	0.2305	0.0536
k = 130	0.7373	-0.9612	0.1200	1.0262	-1.0259	0.9496
k = 131	-0.8106	1.6781	-0.5863	-0.2583	0.9478	0.4814
k = 132	-0.5512	-1.5649	1.1185	0.4441	-0.6738	-1.4479
k = 133	1.4686	-0.0925	-0.8895	-0.3206	-0.2144	0.9672
k = 134	-0.7317	0.0583	0.6345	-0.4489	-0.4568	-0.2971
k = 135	0.9157	-0.3134	0.9340	-0.0508	-0.6724	-0.0738
k = 136	0.4383	0.3584	-0.3337	-0.3652	-0.7035	0.1259
k = 137	0.1792	-0.1678	0.1198	0.5327	0.4406	1.3347
k = 138	-0.1865	-0.7605	-0.9812	-0.4094	-0.6515	-1.6239
k = 139	-0.6334	0.7768	1.8492	0.0911	-0.1065	0.5077
k = 140	0.6621	-0.7636	-0.3521	-1.3415	-0.6762	-0.2149
k = 141	-0.4066	0.7882	0.0568	1.4276	0.9405	0.0743
k = 142	-0.4697	-1.1260	0.0779	-0.3740	-0.4493	0.7198
k = 143	0.9803	-0.1126	-0.6304	-0.3264	-1.1469	-0.2948
k = 144	0.7310	-0.1349	0.6400	-1.6119	-0.7477	-0.1130
k = 145	0.3036	1.0495	0.4112	-0.1393	0.9448	-0.1434
k = 146	-0.4152	-0.8299	0.3305	2.0436	-0.9542	0.5407
k = 147	0.1787	0.3528	-1.6006	-0.2565	0.3296	-1.0705
k = 148	-0.0072	-0.6754	1.0168	0.7854	0.3271	0.9556
k = 149	-0.6233	0.1163	0.6022	-0.2565	-0.0887	-0.8145
k = 150	1.5196	-0.5514	0.5686	-1.3810	-0.7360	0.7011

U_1	$n = 1(x)$	$n = 2(x)$	$n = 3(x)$	$n = 1(y)$	$n = 2(y)$	$n = 3(y)$
k = 151	-1.4397	-0.8447	-0.4617	0.9424	0.8580	-1.4291
k = 152	0.4479	-0.3353	-0.0559	-0.3454	-0.3978	-0.9241
k = 153	-0.5748	-0.6616	0.7613	0.7606	-0.5344	0.6070
k = 154	0.5781	-0.0446	-0.3373	-1.0824	-0.2750	-0.9404
k = 155	-0.2040	-0.2068	0.0640	0.3090	0.5280	0.2569
k = 156	1.1206	-0.6124	0.7021	1.1042	0.5038	-0.9468
k = 157	-0.1648	-1.2321	0.7535	-1.8622	-0.0313	-0.2164
k = 158	0.1257	-0.8960	-0.6550	-0.4567	-0.6064	-1.0363
k = 159	-1.4294	0.5294	-0.4207	1.8168	-0.8600	0.3855
k = 160	-1.0149	0.9916	-0.9909	-1.2859	-0.1199	1.5385
k = 161	0.1661	-0.7599	0.8022	2.0893	-0.0361	-1.1644
k = 162	0.5705	-0.0648	-1.3692	0.0541	-1.8650	0.9125
k = 163	-0.5406	2.4538	-1.0424	0.3249	-0.8959	2.2856
k = 164	-0.5616	2.5351	-0.9666	0.0655	-1.2104	2.6288
k = 165	0.4635	1.0112	-0.5917	-1.4067	0.0499	0.6648
k = 166	0.9018	2.4805	-1.6409	0.9480	-1.3873	2.5865
k = 167	-1.6056	1.5161	-0.2536	-0.2322	-0.2005	1.7128
k = 168	0.4039	1.0885	-0.3960	0.5404	-0.8573	0.7622
k = 169	0.4089	1.8984	-2.3446	0.6874	-1.0016	2.4507
k = 170	-1.4479	3.0304	-0.9721	0.3428	-2.1613	1.8583
k = 171	0.2109	3.6182	-1.9075	0.2083	-0.2391	3.7422
k = 172	2.6034	2.2206	0.3099	-0.0615	0.1650	1.5420
k = 173	0.9751	2.0029	-1.1253	-0.3173	0.2215	1.5627
k = 174	1.3518	1.0694	-0.2038	1.4124	0.3458	1.6760
k = 175	-0.3838	0.0626	-0.7435	-0.8287	-0.5211	-0.0841
k = 176	0.1213	0.0826	1.2323	-0.0121	0.2944	0.2832
k = 177	1.2852	1.0426	-0.6974	-1.1975	-0.4452	0.2115
k = 178	0.2056	-0.0484	0.2662	1.7223	0.0221	-0.0082
k = 179	1.6371	0.5046	-1.5263	-0.9854	-0.5302	0.4902
k = 180	-2.2776	-1.0252	0.8653	-0.0176	0.5750	-0.2287
k = 181	0.3878	1.2829	0.2964	-1.2685	-0.0072	0.2623
k = 182	-0.4517	-0.9953	-0.3527	-0.0975	-1.6893	0.4367
k = 183	-0.8167	0.3383	-0.0868	0.0351	-0.1657	-0.0760
k = 184	-0.4117	1.1684	-0.7079	-0.0488	-0.3323	-0.5868
k = 185	-1.3313	0.5939	-0.6475	-0.2641	-0.6028	2.1760
k = 186	-0.3075	0.4460	0.1530	-2.1002	-0.0383	-0.9303
k = 187	-0.5409	-1.2327	-0.5156	-0.8451	0.1434	1.0490
k = 188	-0.2733	2.0398	0.6810	-1.1512	-1.3900	0.4584
k = 189	0.6202	0.3336	-0.5326	-0.3926	0.3803	1.0011
k = 190	-0.6963	-0.1997	-0.6772	-2.2227	-1.1096	-0.1659
k = 191	-1.0259	0.3642	1.6919	0.9827	0.8769	-0.6163
k = 192	-0.2158	-2.4216	0.2529	-1.6489	0.7045	-1.1849
k = 193	-0.5857	-2.4965	1.4981	-1.6325	1.7687	-2.5781
k = 194	-0.3266	-4.9159	5.6041	-2.6711	2.7437	-5.4814
k = 195	-1.2466	-6.6847	4.4555	0.4559	5.6266	-6.3627
k = 196	-2.1941	-10.1357	6.7105	-1.2221	4.9589	-8.4529
k = 197	-3.2330	-8.7070	7.1565	-3.3480	5.2573	-6.8711
k = 198	-3.5933	-4.3359	3.3765	-3.2594	3.4150	-4.3395
k = 199	-3.6489	-3.2714	2.8060	-3.7303	2.2632	-4.0933
k = 200	-4.3694	-1.5627	0.5476	-5.5844	1.6988	-0.6736

U_1	$n = 1(x)$	$n = 2(x)$	$n = 3(x)$	$n = 1(y)$	$n = 2(y)$	$n = 3(y)$
k = 201	-1.6040	-0.8448	2.5724	-1.5631	1.0153	-0.7850
k = 202	0.1850	0.1846	-0.4303	0.0155	-0.0768	-0.3154
k = 203	1.3274	-0.1745	0.9304	-0.2085	0.1299	0.2376
k = 204	1.7737	-0.1940	-1.3270	0.5072	0.5162	-0.1313
k = 205	1.5486	0.7277	-0.7744	3.0820	-1.7889	0.4750
k = 206	1.9122	-0.2521	-0.3037	2.5793	0.1055	-0.4412
k = 207	4.2434	1.2512	-1.2009	3.0575	-0.4410	1.1753
k = 208	3.4602	-2.0269	-0.5980	3.2769	-3.5424	-0.0797
k = 209	4.9201	-0.0843	0.1663	4.9350	-7.5115	0.3765
k = 210	3.0609	-0.5940	1.9197	6.1301	-13.2567	-0.7216

TABLE IV. The magnetic field $\{h_{n,k}^x\}$ and $\{h_{n,k}^y\}$ to realize the U_2 . We take the total time $T = 2.1$, $K = 210$, and thus the Trotter step $\tau = 2.1/210$.

U_2	$n = 1(x)$	$n = 2(x)$	$n = 2(x)$	$n = 1(y)$	$n = 2(y)$	$n = 2(y)$
k = 1	-0.9321	2.2444	5.0748	15.8218	0.0510	-2.0459
k = 2	-1.2790	-0.0636	4.4257	7.2754	-0.4515	-1.9556
k = 3	1.2962	-0.2390	1.7553	2.2986	0.0086	-0.8688
k = 4	-0.9038	0.6719	2.7338	0.5179	-0.7817	-1.8169
k = 5	0.3002	0.2591	0.5652	-1.0982	-1.1519	-0.1771
k = 6	-0.0593	-1.9728	0.6902	-0.3732	0.5104	0.3538
k = 7	-0.0150	0.0074	-0.0742	0.0991	0.5979	1.3673
k = 8	1.6088	-1.4279	-2.2539	-0.6970	0.0165	1.1636
k = 9	-0.6454	0.3258	-3.2610	0.4419	-0.2232	1.7090
k = 10	0.7580	-1.3463	-0.5253	-0.6256	-0.0658	0.8976
k = 11	0.5614	-0.1024	-4.0845	-0.5837	0.4979	-0.4207
k = 12	1.0207	-0.2855	-1.8269	0.4573	0.1539	0.6511
k = 13	-0.2389	0.0736	-3.1654	0.0022	0.5300	0.0870
k = 14	-0.0768	-0.7238	-2.9826	1.6022	0.8824	1.8007
k = 15	-1.4775	2.0828	-2.8637	-1.0238	0.6149	-0.7949
k = 16	0.3404	-0.4100	-3.0940	-0.4125	0.0469	0.8672
k = 17	-0.4163	0.3303	-2.4780	0.2984	0.4408	1.2418
k = 18	-1.4336	1.6042	-3.4336	-0.5824	1.1181	0.6081
k = 19	-0.6138	0.7518	-3.6660	-0.1739	-0.1250	-0.6821
k = 20	-0.8359	0.9506	-0.9339	1.4022	1.3862	0.9957
k = 21	0.0130	1.9490	-1.5253	-0.6677	0.0610	-0.8995
k = 22	-3.9132	0.8026	-1.1969	-0.6694	1.4012	0.0307
k = 23	-0.6604	1.6686	-1.1469	-0.3806	-0.0849	-0.1022
k = 24	-0.4835	0.3414	0.1159	-0.4385	0.8008	-0.5930
k = 25	-1.7296	2.3625	-0.2746	0.4451	1.4090	0.6890
k = 26	-2.6563	1.4098	-0.0777	0.6476	1.5298	-0.2598
k = 27	-2.7992	3.0873	0.3749	-0.6408	0.8050	2.5081
k = 28	-3.0599	1.9044	0.7030	-0.7520	1.1567	-0.0107
k = 29	-2.0937	1.5969	-1.0166	-0.6281	0.8256	0.2247
k = 30	-3.1555	3.0167	0.7663	0.8230	1.7460	0.5082
k = 31	-3.1846	1.7304	0.6906	0.7364	1.6417	0.5610
k = 32	-1.9657	1.2769	0.7087	-1.9648	-0.0043	0.3406
k = 33	0.4906	-0.0249	-1.6195	-0.1835	1.0928	-0.8525
k = 34	-2.7502	0.8120	0.2484	-0.5933	-0.6990	0.7246
k = 35	0.8468	1.5301	0.1626	0.1073	0.5081	-0.1658
k = 36	-1.5919	-0.4863	1.1583	1.1081	-0.2712	0.4244
k = 37	-0.3663	-0.6616	0.0776	-2.2775	0.2710	0.7481
k = 38	1.8409	-0.3228	-0.1652	0.0488	-1.1436	-0.5240
k = 39	1.0993	-0.8595	-0.1259	-0.6708	-0.4883	0.4428
k = 40	0.5986	-1.0587	-0.2369	0.7991	0.3664	0.8133
k = 41	0.7628	-1.4685	-0.1838	0.8929	-0.4263	0.2496
k = 42	1.1323	-0.2603	-0.0124	-0.2085	-1.3270	-0.4686
k = 43	1.8708	-0.7386	-1.1776	-0.7479	-0.0423	0.4773
k = 44	0.8907	-1.3288	1.1145	1.5039	-0.2944	-0.1168
k = 45	-0.7380	-0.1758	-0.9594	0.0210	0.5321	-0.2168
k = 46	1.3662	-1.0437	0.7650	-1.0737	0.9312	-0.2940
k = 47	0.3288	-0.0877	0.0856	0.0801	-0.4240	0.9458
k = 48	-0.5484	1.1750	-0.1030	0.6593	0.8775	0.0205
k = 49	-0.7790	-0.8871	-0.9870	0.0615	0.0781	-0.5871
k = 50	-0.1899	0.0237	1.0872	0.9650	1.4161	-0.3594

U_2	$n = 1(x)$	$n = 2(x)$	$n = 3(x)$	$n = 1(y)$	$n = 2(y)$	$n = 3(y)$
k = 51	0.8638	0.1006	-1.1436	0.1981	-0.9254	0.2057
k = 52	-0.9101	0.0996	-0.5079	-0.7331	-0.0426	0.0845
k = 53	-0.0080	0.0029	1.3779	-0.0895	0.8093	-0.6866
k = 54	-0.4507	0.2945	0.0438	-0.9654	1.3726	-0.7635
k = 55	0.8989	-0.3776	-0.9052	-0.1659	-0.3638	-0.3753
k = 56	-0.5178	0.1098	0.5428	0.4260	0.1111	1.1257
k = 57	-0.9347	-0.1549	-0.5542	0.5124	-0.1046	-1.1074
k = 58	-0.5467	0.7002	0.6888	1.1663	0.5723	0.5850
k = 59	-0.4881	-0.5088	-0.2312	-1.1359	0.3835	-0.4397
k = 60	1.3351	-0.9205	-0.1001	-1.0821	-0.0069	-0.3808
k = 61	-0.2821	0.1058	0.6929	-1.3747	0.5318	0.4796
k = 62	-0.2394	-0.2245	-1.0760	-0.4364	0.6351	0.8372
k = 63	1.4556	-0.1621	-0.6021	-0.0643	1.0536	-0.4349
k = 64	0.0052	0.3492	0.6850	2.1628	-0.7467	-1.2189
k = 65	-0.3197	0.1016	0.3926	-1.1907	0.5330	-0.7249
k = 66	1.1452	-0.4783	-0.7764	-0.1624	0.0916	2.0471
k = 67	-1.0126	0.9789	0.2473	0.1898	0.1727	-0.6747
k = 68	0.6102	-0.9973	0.3368	-0.3953	1.1227	-0.6955
k = 69	-0.2128	-0.3215	-0.5586	0.2307	-0.4845	-0.4752
k = 70	-0.1519	0.0926	0.6919	0.0309	0.6635	0.9195
k = 71	-0.0025	-0.2085	0.9871	-0.3611	-0.0011	1.1313
k = 72	0.0161	-0.3090	-1.9893	-1.3328	0.1982	-0.5592
k = 73	-0.5684	-0.4167	-0.0048	0.1386	0.3653	0.3195
k = 74	0.1505	-0.3484	0.4884	-0.5252	1.0681	-0.4424
k = 75	-0.3726	-1.4227	0.9062	-0.9214	-0.0744	1.2909
k = 76	-1.1528	-1.0858	0.2389	-1.4969	0.6927	0.1107
k = 77	-0.8957	-1.5185	0.5154	-1.3855	0.7097	0.6838
k = 78	-0.8218	-1.0152	-0.0289	-3.5408	1.8983	0.6548
k = 79	0.1935	-1.9288	-0.5483	-2.6112	1.5493	-0.1404
k = 80	-0.0135	-1.3001	0.0068	-2.6720	1.5208	1.0647
k = 81	-0.0729	-0.4039	0.3404	-0.7398	1.5344	-1.1504
k = 82	-0.2642	-0.9311	0.4237	-3.3772	0.1463	0.6727
k = 83	1.3710	-1.4475	-1.3666	-1.6759	2.3805	1.4607
k = 84	-0.1036	0.4696	0.7758	-1.7686	1.1187	-0.2162
k = 85	0.0092	-0.1990	0.0366	-1.3787	0.7072	-0.8584
k = 86	0.7725	-0.8474	-0.7306	-0.8575	0.1038	0.6068
k = 87	0.2116	-0.0968	0.6619	-0.6260	0.5604	-0.0044
k = 88	-0.3529	0.4691	-0.2613	-1.1110	0.5171	-0.6815
k = 89	0.2147	-0.4808	-0.3448	-1.4637	1.3444	1.0857
k = 90	1.2558	0.5759	0.5181	1.2443	-1.2894	-0.3904
k = 91	0.0901	-0.1989	-0.2311	-0.1756	-0.3653	-0.0968
k = 92	-0.2933	-0.0983	0.6269	-0.5505	0.2998	-0.4043
k = 93	0.7059	-0.3641	-0.8206	2.1590	0.2492	1.7738
k = 94	-1.9597	0.8179	0.9332	-1.7370	-0.5710	-0.8972
k = 95	0.0489	-1.4160	-1.0728	0.7507	-0.1169	-0.6851
k = 96	1.6479	0.9193	1.3011	1.1753	-0.6547	0.2856
k = 97	-0.2640	0.5071	-0.2929	0.3718	-0.3011	0.5710
k = 98	0.0963	-1.1286	0.6931	-1.2780	1.0387	-0.0130
k = 99	0.6781	0.1112	-1.6536	0.5915	0.5790	-0.1870
k = 100	-1.8027	0.6000	1.2505	-0.8377	-1.3371	-0.3123

U_2	$n = 1(x)$	$n = 2(x)$	$n = 3(x)$	$n = 1(y)$	$n = 2(y)$	$n = 3(y)$
k = 101	0.6057	-1.0131	-0.7978	1.2223	-0.5644	0.1666
k = 102	-0.5434	1.2605	0.8576	1.4137	0.9446	-0.1119
k = 103	-0.6791	-1.3416	1.3308	-1.2702	0.3304	0.2832
k = 104	-0.0135	-1.2531	-1.2727	-1.7741	-0.6272	0.1118
k = 105	-0.1895	0.6120	-0.9407	0.7862	-0.0254	-1.0076
k = 106	0.1406	0.7285	1.1331	1.0889	0.0320	0.1747
k = 107	0.2608	0.6448	0.2450	-0.7631	0.9055	1.1218
k = 108	-0.9299	0.1991	-0.9808	-1.3190	-1.5463	1.1415
k = 109	1.6701	-0.1990	-0.6934	-0.0427	1.1763	-0.7417
k = 110	-0.2701	-0.5754	0.3084	0.2705	-0.6557	-0.4369
k = 111	0.6111	0.9274	-0.4236	0.2788	1.0532	-0.6498
k = 112	-0.2235	-0.8791	1.3063	1.2293	0.1845	1.1626
k = 113	-0.5489	-0.1097	-0.8794	0.4645	-0.5513	-0.9871
k = 114	-1.2399	0.5996	-2.3074	-0.0658	0.3943	-0.2218
k = 115	0.3717	0.3835	-0.6642	-0.3905	0.8827	-1.0585
k = 116	0.8549	-2.4270	-0.5147	0.5080	1.3851	-4.1396
k = 117	-0.3046	-1.5988	0.0228	0.6253	2.2435	-2.5884
k = 118	0.5207	-1.4744	-0.5561	-0.0668	0.5641	-3.1207
k = 119	1.0573	-2.5730	0.5648	0.2225	3.0816	-4.6523
k = 120	-0.7817	-1.6433	0.9551	0.9200	0.5705	-2.1310
k = 121	0.6959	-1.7878	1.5258	0.5068	1.1998	-2.3720
k = 122	-1.7448	1.1095	1.0822	0.1403	0.8924	0.2661
k = 123	1.1987	-0.0474	-0.8825	-0.1069	0.6928	0.5539
k = 124	1.3570	-0.7138	-1.5569	0.5394	-0.2304	0.2531
k = 125	0.1343	-0.6693	-0.7980	-0.5423	0.7470	-1.0810
k = 126	-0.6430	0.1972	-0.6676	1.5405	1.1875	-0.4320
k = 127	-0.4404	-0.7585	0.8197	0.3099	0.2919	0.2003
k = 128	0.6699	-0.2308	-1.1744	0.0720	0.1939	-1.1541
k = 129	-2.2707	-0.1607	-0.5657	1.3121	1.3104	-0.6938
k = 130	0.4910	-1.6237	-0.3419	0.3168	0.1393	-0.8300
k = 131	0.1218	0.7677	0.3128	-0.3376	0.3443	-0.2577
k = 132	-0.5506	-0.9462	-0.6790	-0.6180	0.6501	0.0294
k = 133	0.1635	-0.6636	-0.3785	0.3002	0.2410	-2.1257
k = 134	-1.2535	0.1833	-0.3380	0.4685	0.0103	0.8859
k = 135	0.2886	-0.1079	0.4228	-0.7365	0.1603	-0.4226
k = 136	-0.1660	0.3440	0.0323	-0.1385	1.3965	-1.7762
k = 137	-1.9064	-0.7235	0.7519	-0.2042	0.9710	-0.6587
k = 138	0.2411	0.2004	0.9578	-0.8523	-0.4401	0.5696
k = 139	1.1969	0.2976	0.7952	-1.3478	0.4978	-0.4805
k = 140	-0.6915	0.5459	-0.1760	0.2951	-0.4687	1.4489
k = 141	-0.0261	-0.4246	-0.6874	0.6453	1.3628	-0.4377
k = 142	-0.3891	0.7031	2.0067	1.6123	-0.5141	-0.2719
k = 143	-1.0489	0.9198	0.0807	-0.3760	0.4603	-0.0830
k = 144	0.6646	-0.8605	-0.8185	-1.1069	0.4688	0.5325
k = 145	0.3902	-0.9528	-0.8469	1.8961	0.0164	-0.3644
k = 146	-1.4438	0.5313	0.0587	-0.1161	-0.4698	0.3378
k = 147	0.8971	-0.8607	0.0482	1.4967	-0.6019	-0.4093
k = 148	2.6201	0.2533	-0.5853	-0.3332	0.0341	1.1618
k = 149	0.7706	-1.1012	-1.4620	0.4966	-1.1145	0.9280
k = 150	0.4415	-1.6061	-1.5434	1.2103	-1.1162	-1.5120

U_2	$n = 1(x)$	$n = 2(x)$	$n = 3(x)$	$n = 1(y)$	$n = 2(y)$	$n = 3(y)$
k = 151	0.2527	-0.7305	-1.3446	0.7102	-0.1333	1.1143
k = 152	1.6466	-1.1449	-0.2993	1.4097	-1.1295	-0.4325
k = 153	2.5597	-0.6725	-1.1527	0.9171	-0.3002	-0.6644
k = 154	1.3426	-0.6200	0.1700	-0.9980	-0.4493	0.1966
k = 155	1.4351	-1.1697	-0.8807	-0.6109	1.1026	-0.2231
k = 156	0.3653	0.3289	-0.5449	-1.3587	-0.6615	-0.9834
k = 157	-0.0089	1.2944	1.9033	-1.2837	1.3006	-1.1698
k = 158	-1.6712	1.2088	2.5372	-0.9982	1.9044	-0.9948
k = 159	-0.4404	2.3009	2.5840	-1.3783	1.5066	-1.8620
k = 160	-1.2869	1.7329	2.3153	-1.5527	2.2566	1.5055
k = 161	-0.8492	0.4720	0.9210	-0.1608	0.5544	0.3641
k = 162	-3.2612	-0.6071	0.5838	-1.8944	1.8056	0.2124
k = 163	0.6373	-0.0388	-0.3192	0.0692	-0.1104	1.0089
k = 164	-3.2019	-0.8690	-0.1748	-1.2495	-0.8366	1.8069
k = 165	-2.8062	-0.6749	-2.1556	0.3564	0.2595	0.3846
k = 166	-0.7665	-3.3604	-1.6140	0.3729	-1.1401	2.1948
k = 167	-1.4956	-1.6235	-1.8833	-0.5352	-1.3598	1.4711
k = 168	-3.9638	-2.9522	-3.4365	-2.0014	-1.8258	1.8212
k = 169	-3.3112	-3.7243	-3.4797	-0.4458	-1.1735	-0.2331
k = 170	-3.2116	-3.3001	-2.4705	0.0680	-2.2744	3.0676
k = 171	-4.1624	-2.8908	-2.8953	-1.6175	-2.6254	1.4034
k = 172	-3.8620	-2.1695	-2.8004	0.9129	-2.3775	0.5077
k = 173	-3.0388	-2.7084	-2.6647	-2.0789	-1.9743	0.9956
k = 174	-3.0718	-1.5885	-0.4335	-0.2537	-0.0781	0.0608
k = 175	-1.7553	-0.9626	-1.8735	0.5650	-0.6568	0.3619
k = 176	0.4272	-0.3302	0.1341	-1.9354	-0.5556	0.0541
k = 177	0.9200	0.0995	-0.1247	-1.6999	0.1924	-0.0414
k = 178	0.2371	1.2239	0.1910	-0.8490	0.7887	-0.6867
k = 179	1.8447	1.3918	0.1409	1.3508	-0.0135	-0.5443
k = 180	3.4828	0.6696	0.5309	1.0281	0.0919	1.3775
k = 181	2.2630	0.0737	0.3920	1.4129	-0.9169	-0.5260
k = 182	4.2086	0.5010	0.1044	-0.4830	-1.1075	-0.1662
k = 183	4.7346	-0.3095	-0.4829	1.7050	1.3781	-0.4115
k = 184	6.3270	0.6419	0.1955	-0.2330	-0.6259	0.5724
k = 185	8.1618	-0.7676	-0.0913	-0.9638	-1.2170	0.8000
k = 186	6.3206	-0.8093	-0.6257	-0.7557	1.3749	-0.5488
k = 187	4.0160	-0.3354	-0.8875	-2.1168	0.0646	-0.9429
k = 188	5.5944	1.7870	1.8194	-0.0612	1.0148	-0.5267
k = 189	4.4377	2.1227	3.4097	-0.8719	0.4539	-1.8896
k = 190	5.4586	1.9310	1.2908	-0.3204	2.2774	-0.7592
k = 191	1.8512	5.3412	3.5976	-0.4566	1.9857	-3.9251
k = 192	3.5491	5.8403	5.4916	-1.7487	2.8872	-3.4502
k = 193	-0.3870	7.6998	5.6106	0.4965	4.0878	-5.4193
k = 194	0.2817	5.2146	5.5547	0.3978	4.7204	-5.6196
k = 195	-0.7883	5.3136	4.7667	0.1807	2.6227	-2.1603
k = 196	1.0495	3.7701	2.9840	0.4477	2.2509	-3.7637
k = 197	-0.6395	3.5229	2.7393	-0.4999	2.5443	-2.1529
k = 198	-2.0957	-0.2848	-0.0264	0.4795	0.4778	-0.9497
k = 199	-1.2336	0.1184	1.1453	1.1832	-0.1231	-0.1721
k = 200	-0.0241	0.6829	1.0604	-1.7618	-0.6297	0.9643

U_2	$n = 1(x)$	$n = 2(x)$	$n = 3(x)$	$n = 1(y)$	$n = 2(y)$	$n = 3(y)$
k = 201	-3.3502	0.8609	-1.0468	-2.2938	0.1745	-0.7520
k = 202	-1.8336	-0.7190	-0.1131	-1.1447	-0.0502	0.3246
k = 203	-4.3332	-0.0054	-0.4384	-2.0500	-1.8797	0.9046
k = 204	-4.4136	0.2021	0.1994	-2.1387	-0.3884	0.9044
k = 205	-5.1375	1.0719	-0.2773	-3.3513	-1.1329	0.1719
k = 206	-5.1783	0.2201	-0.5733	-1.9876	0.3098	-0.0315
k = 207	-6.0091	1.2966	0.1418	-2.5188	0.8608	-1.7112
k = 208	-5.9253	0.1547	-0.4121	-3.6755	1.1350	-0.8394
k = 209	-3.0352	-0.5561	0.6317	-3.1084	-0.0399	1.3061
k = 210	-5.7163	-1.0228	0.7422	-2.5126	0.3025	-1.4748

TABLE V. The magnetic field $\{h_{n,k}^x\}$ and $\{h_{n,k}^y\}$ to realize the U_3 . We take the total time $T = 1.4$, $K = 140$, and thus the Trotter step $\tau = 1.4/140$.

U_3	$n = 1(x)$	$n = 2(x)$	$n = 1(y)$	$n = 2(y)$
k = 1	-0.3013	0.6898	2.0804	2.3129
k = 2	1.9663	-1.6758	2.8192	2.8023
k = 3	0.5549	-0.9799	6.6289	5.8073
k = 4	-3.3017	2.6915	3.8890	3.6518
k = 5	-2.2577	2.0026	3.5685	3.9652
k = 6	-1.0841	0.8933	2.7589	3.2097
k = 7	0.5790	-0.9628	2.8981	2.9964
k = 8	-0.5938	-0.2181	0.3778	0.4349
k = 9	1.2867	-1.1046	-2.4842	-1.7224
k = 10	5.1227	-4.6993	0.5133	1.5694
k = 11	7.8952	-7.8056	0.3229	1.1889
k = 12	7.6685	-7.5507	0.8109	1.8358
k = 13	7.9800	-7.8991	-0.3139	1.2077
k = 14	7.0826	-6.3822	0.5319	2.1095
k = 15	6.7904	-5.8247	1.3127	3.4760
k = 16	7.4198	-6.3234	1.2699	4.0113
k = 17	6.8843	-5.9637	0.7805	4.0820
k = 18	8.9028	-7.7565	-1.2415	3.9404
k = 19	11.0921	-7.2771	1.1998	7.4028
k = 20	10.2281	-4.7293	3.3589	9.0195
k = 21	8.5036	-3.2137	3.2325	8.0789
k = 22	4.9248	-0.0869	3.8729	5.6893
k = 23	3.3373	0.5823	3.1788	4.5364
k = 24	2.4893	0.1262	2.3184	3.3949
k = 25	0.2711	0.2313	0.3894	0.7260
k = 26	3.9599	-1.0280	0.3018	3.8876
k = 27	4.8101	-1.7498	0.6004	4.8259
k = 28	4.6589	-3.2849	-0.9669	3.9356
k = 29	3.5137	-3.0289	-1.2080	2.1920
k = 30	1.2842	-0.4135	0.7954	0.4999
k = 31	-2.7696	3.1934	2.8270	-1.6469
k = 32	-3.0742	2.0582	0.6459	-1.9723
k = 33	-0.3375	-0.3248	-0.0688	-0.2657
k = 34	-4.7728	0.8942	-0.2092	-4.9253
k = 35	-5.4736	2.9464	0.6520	-5.3191
k = 36	-3.6858	4.4211	2.6389	-2.8041
k = 37	-1.7142	4.1431	3.8056	-0.8135
k = 38	-4.2603	5.8271	5.2430	-3.1770
k = 39	-4.7149	7.0799	6.5922	-3.2409
k = 40	-6.7825	5.4296	4.8850	-5.5439
k = 41	-5.7127	3.8216	3.0749	-4.9133
k = 42	-3.9646	1.7427	1.7826	-4.3335
k = 43	-5.8723	5.5228	6.2841	-6.5840
k = 44	-7.2392	4.7574	5.6681	-8.0936
k = 45	-4.8331	6.7425	7.6709	-6.8321
k = 46	-4.2301	6.0560	7.8902	-6.1040
k = 47	-5.7417	2.7318	5.6999	-6.3428
k = 48	-8.1405	-2.0764	1.8409	-7.2712
k = 49	-6.4570	-2.1037	0.6303	-6.0865
k = 50	-3.0735	-0.7572	0.4468	-3.2424

U_3	$n = 1(x)$	$n = 2(x)$	$n = 1(y)$	$n = 2(y)$
k = 51	-1.6813	0.2456	1.5494	-2.3641
k = 52	-3.4904	-0.6832	2.2672	-3.5932
k = 53	-6.8864	-3.4631	0.5759	-5.3982
k = 54	-4.3939	-3.3412	-1.1810	-2.7840
k = 55	-5.1608	-3.6406	-0.0280	-3.1507
k = 56	-9.1840	-8.3819	-2.9732	-3.5767
k = 57	-8.6474	-9.1475	-4.9321	-2.1195
k = 58	-5.0953	-6.2194	-4.8005	0.3034
k = 59	-3.0884	-4.9052	-5.7624	3.0337
k = 60	-1.4021	-4.5920	-8.2047	5.9622
k = 61	2.1014	-1.3760	-7.2546	6.7343
k = 62	2.1802	-0.1168	-5.0166	5.0981
k = 63	3.5982	1.6584	-4.9749	5.3959
k = 64	5.0615	3.3535	-3.8911	5.0132
k = 65	4.5994	3.4049	-2.5797	3.7139
k = 66	4.2682	3.4667	-1.7141	2.9867
k = 67	2.3441	1.5553	-1.4837	1.9214
k = 68	4.4770	4.1934	0.5178	-0.3395
k = 69	6.8188	6.8455	1.4379	0.1599
k = 70	1.4365	1.4646	1.6480	-0.5113
k = 71	1.2124	1.4865	1.7503	-1.5816
k = 72	1.1083	1.5572	1.2475	-0.3065
k = 73	-3.9556	-3.6434	-0.6016	1.0322
k = 74	-5.1651	-5.0495	-2.4095	1.8704
k = 75	-4.3269	-4.5579	-3.4252	3.1242
k = 76	-5.5002	-5.9442	-2.2259	1.9677
k = 77	-4.3731	-4.8007	-1.1158	0.8789
k = 78	-4.7624	-4.9313	0.8498	-0.6345
k = 79	-5.8675	-5.6529	0.2216	0.4208
k = 80	-7.4554	-7.4393	-0.2079	0.8705
k = 81	-5.7754	-5.6349	0.3481	0.4156
k = 82	-7.2466	-7.1422	-0.7590	2.3293
k = 83	-6.0836	-7.4344	1.9651	-1.1254
k = 84	-0.6208	-2.4614	4.4232	-4.9430
k = 85	0.3161	-1.3657	5.5679	-5.3057
k = 86	-1.3631	-2.5825	4.9789	-4.1180
k = 87	-1.1755	-2.5955	3.7987	-2.8255
k = 88	-2.4128	-5.2943	6.7224	-4.9442
k = 89	-1.4295	-4.9038	7.4261	-6.1642
k = 90	-0.5483	-4.7447	8.5752	-6.6171
k = 91	-3.9226	-8.1902	9.0814	-4.3921
k = 92	-5.0471	-9.8116	9.8059	-3.8832
k = 93	-5.9671	-8.0343	6.4631	-0.5940
k = 94	-5.1896	-4.9201	2.5549	1.5108
k = 95	-3.2045	-1.6076	-0.6870	1.8737
k = 96	1.3626	2.7757	-3.2038	-0.2436
k = 97	5.5103	6.0238	-4.3448	-2.1171
k = 98	6.6218	3.9142	-0.7176	-4.4587
k = 99	4.6669	1.3857	1.4593	-4.0256
k = 100	2.6157	-1.0261	3.3831	-3.5496

U_3	$n = 1(x)$	$n = 2(x)$	$n = 1(y)$	$n = 2(y)$
k = 101	-0.7701	-1.5993	1.8172	-0.4466
k = 102	1.1877	0.1617	0.1401	-1.7052
k = 103	3.3483	2.8258	-1.3492	-2.6478
k = 104	2.7608	3.2752	-2.0487	-1.3747
k = 105	2.4689	2.5301	-1.3436	-1.3255
k = 106	0.7241	1.7005	-1.5418	0.0607
k = 107	2.8957	2.2921	-1.9007	-1.7697
k = 108	5.8387	1.7308	-0.1880	-5.3866
k = 109	9.9328	4.0350	-0.1831	-9.4331
k = 110	6.1316	4.6205	-1.8361	-5.2738
k = 111	4.0654	4.0514	-2.4047	-2.6972
k = 112	1.0598	0.5511	0.1714	-0.5715
k = 113	-0.4527	0.5250	0.1133	0.3158
k = 114	-4.7197	1.3737	-2.1018	4.7338
k = 115	-3.9833	2.9796	-3.9834	4.2917
k = 116	-4.6895	5.2612	-6.1258	4.4971
k = 117	-4.0913	11.9618	-12.3784	3.1920
k = 118	-4.8464	16.4502	-15.9209	1.5144
k = 119	-5.9789	13.9175	-12.6063	0.2683
k = 120	-5.5206	11.5481	-11.1715	-1.7718
k = 121	-1.3884	7.0621	-9.0315	-5.0502
k = 122	-2.6533	7.1403	-8.4916	-5.2956
k = 123	-3.1900	7.7507	-10.1782	-7.3712
k = 124	-4.0935	8.5129	-10.7590	-7.9273
k = 125	-3.0029	6.0644	-6.5449	-4.7275
k = 126	-3.3279	3.9070	-1.6671	-0.0439
k = 127	0.1943	0.2535	-3.6212	-2.2916
k = 128	5.7114	-4.4429	-2.3921	-3.0641
k = 129	4.5031	-4.2912	1.0085	0.0371
k = 130	4.9257	-4.9473	0.6279	-0.6635
k = 131	2.6744	-2.0351	1.0116	0.1589
k = 132	1.6746	-1.8458	5.1837	4.6184
k = 133	0.2553	-0.5199	5.2782	5.1045
k = 134	0.8528	-0.6242	7.8238	7.6382
k = 135	-0.3117	0.4587	10.5626	10.3094
k = 136	-0.7691	1.0353	8.1004	7.7608
k = 137	-1.8482	2.2602	6.7951	5.8148
k = 138	-5.0096	5.0863	4.0321	2.6305
k = 139	-3.9430	4.1822	2.2074	1.6109
k = 140	-2.3068	2.2747	1.3346	1.6188

TABLE VI. The magnetic field $\{h_{n,k}^x\}$ and $\{h_{n,k}^y\}$ to realize the U_4 . We take the total time $T = 2.4$, $K = 240$, and thus the Trotter step $\tau = 2.4/240$.

U_4	$n = 1(x)$	$n = 2(x)$	$n = 2(x)$	$n = 1(y)$	$n = 2(y)$	$n = 2(y)$
k = 1	-3.1399	-1.3311	-0.3132	0.4410	-0.5488	13.2111
k = 2	-0.5521	-0.2380	-1.1714	1.8920	-1.5596	7.4406
k = 3	-0.1767	-0.4128	0.7828	0.6015	-0.7912	5.3326
k = 4	0.2408	0.3326	-0.3585	-0.6166	0.3082	4.1461
k = 5	-0.4013	0.4130	0.4504	0.6606	-0.0870	0.5155
k = 6	0.5652	-0.1958	0.1217	-0.2205	-0.0274	1.8436
k = 7	-0.0111	0.3937	-0.7590	-0.4727	0.9442	1.6782
k = 8	-0.3808	-0.0212	-0.6470	-0.0255	-0.0214	-0.9829
k = 9	1.2494	0.2855	-0.3329	0.8077	-0.4433	0.4791
k = 10	-0.7909	-0.2668	1.1551	-0.5602	-0.3123	-0.0116
k = 11	-1.0340	0.3846	-0.0362	0.6150	0.3348	-1.7688
k = 12	1.5015	-0.6916	0.9730	-1.4521	-0.3507	1.7173
k = 13	-0.2677	0.3895	0.3674	1.3469	-0.5841	-0.8997
k = 14	0.0886	-0.2195	0.0075	-0.2220	-0.0985	0.3318
k = 15	-0.7987	0.4449	-0.4475	-0.7129	0.0254	-0.8055
k = 16	0.3241	-0.4236	-0.5141	0.6492	0.4976	-1.5115
k = 17	-0.0949	-0.0890	0.5911	-0.6831	-0.3636	1.8755
k = 18	0.4927	0.8441	0.5310	1.4443	-0.2258	-0.3343
k = 19	-0.5981	-1.4469	-0.0350	-0.6738	0.1468	-0.5593
k = 20	0.2250	0.9165	-0.2778	-0.5613	-0.1711	-0.3078
k = 21	0.3403	-0.3719	-0.0920	-0.2940	-0.4387	-0.1339
k = 22	-0.4480	0.9587	-0.5935	0.6179	0.4671	1.1964
k = 23	0.1334	-1.3089	-0.8583	0.1402	0.4005	-0.3376
k = 24	0.2414	0.8321	1.6036	0.2495	-0.8645	-0.2524
k = 25	0.1287	-0.1720	-0.7438	-0.7473	0.7819	0.2052
k = 26	-0.5790	0.2960	-0.3249	0.9559	-0.7948	0.8581
k = 27	0.4255	-0.5570	-0.1693	-0.7377	-0.1122	-1.3416
k = 28	-0.3082	0.0392	1.2730	-0.5650	0.5374	0.9324
k = 29	-0.0488	0.5511	0.0224	1.5939	0.0768	-0.9631
k = 30	-0.2380	-0.0259	-0.9378	-0.3804	-0.0519	-0.2114
k = 31	-0.5196	0.0602	0.4376	0.6011	0.6561	0.8532
k = 32	0.2934	0.4224	0.7844	-0.0778	-0.7455	-0.1688
k = 33	0.9194	-0.8792	1.1014	-0.4470	0.0831	-0.3670
k = 34	-0.4739	0.4336	0.0960	-0.7660	-0.3170	0.2567
k = 35	0.9872	-1.3573	-0.0373	-0.9527	-0.8858	0.4723
k = 36	2.4229	-1.2597	1.1320	-2.5054	-2.0700	-1.2144
k = 37	2.9265	-1.1346	-0.0703	-1.7508	-3.1126	-0.5107
k = 38	3.6535	-1.9103	-2.0972	-3.2614	-3.6936	0.6995
k = 39	4.2895	-2.7786	-2.6421	-4.0976	-4.8762	2.6184
k = 40	4.6094	-1.9102	-5.1800	-3.0320	-5.8824	3.4029
k = 41	3.2971	-2.6700	-7.0146	-2.6955	-5.1263	2.6204
k = 42	3.8795	-2.8708	-6.6087	-3.8850	-3.8934	4.9653
k = 43	1.9980	-1.8754	-5.4319	-1.6440	-4.1423	5.1751
k = 44	2.2340	-1.4397	-4.9629	-1.2333	-3.2689	4.5528
k = 45	0.7533	-0.2500	-4.5647	-0.7530	-0.4971	2.9292
k = 46	0.7861	-0.6107	-3.5159	-0.3548	-0.1884	1.8995
k = 47	0.1908	-0.1923	-3.1319	-1.4127	-0.2589	1.5078
k = 48	-1.1941	0.3993	-0.7520	1.5424	0.7093	2.5327
k = 49	-0.7288	1.1904	-1.7170	1.1854	1.9235	2.0023
k = 50	-2.0932	0.5364	-0.1239	1.1110	2.4445	-1.3159

U_4	$n = 1(x)$	$n = 2(x)$	$n = 3(x)$	$n = 1(y)$	$n = 2(y)$	$n = 3(y)$
k = 51	-1.5698	0.8711	-1.1907	1.7242	1.5744	0.5597
k = 52	-1.1742	0.9349	1.1554	-0.0185	2.0398	-0.5263
k = 53	-2.1322	-0.1598	0.6798	1.4861	2.5103	-1.6766
k = 54	-1.1913	1.1856	2.5809	1.4748	2.2867	-2.7907
k = 55	-1.9647	0.7391	2.9639	0.3857	1.5100	-2.1667
k = 56	0.2022	0.6071	3.3680	1.5482	1.5099	-4.6117
k = 57	-0.7052	0.3675	0.0058	0.9180	1.4132	-2.8520
k = 58	-1.8856	1.2757	1.6920	0.6645	2.3718	-3.1326
k = 59	-0.8732	-0.1785	1.7356	0.2416	0.9451	-3.2475
k = 60	0.3390	0.5296	3.4170	0.9207	0.4176	-0.8971
k = 61	-0.5026	-0.7836	1.0626	-0.0346	-0.6203	-0.6892
k = 62	0.0462	0.6785	1.6937	-0.3927	0.2849	-1.2376
k = 63	0.3985	-0.8679	2.0053	-0.2308	-0.1560	-1.1642
k = 64	0.3728	0.3050	1.6264	-0.4993	-0.9551	-0.6814
k = 65	0.5270	-0.4845	-0.8532	0.8557	0.5766	-0.1627
k = 66	-0.1177	-1.6847	1.0600	-1.2372	-1.1320	-1.2255
k = 67	-0.7318	0.2860	0.0807	-0.3785	0.6608	-1.4919
k = 68	0.7210	-1.1612	-0.1120	-0.5629	-1.8502	-1.2968
k = 69	0.0316	-1.2800	-2.0685	-1.3608	0.2316	-1.3686
k = 70	0.7029	0.3452	0.8434	0.9833	-0.1913	-0.8664
k = 71	-0.8821	0.1027	-1.2158	-0.3952	-0.4226	-0.4364
k = 72	0.6052	-1.3864	0.5334	-0.7174	-0.1033	-1.7177
k = 73	0.9654	-1.0875	0.1441	-0.3171	-0.1396	-0.0656
k = 74	-1.6565	-0.5386	0.0114	-0.7924	0.2674	0.9377
k = 75	0.6927	-0.8723	-1.4187	-1.0641	-0.8017	1.0522
k = 76	-1.6428	-0.6295	-0.1289	0.1902	1.4880	0.0029
k = 77	0.7423	-0.5538	-0.5295	-0.3605	-0.3927	-0.8954
k = 78	-0.6657	0.6581	-0.8625	0.1921	0.4310	-1.5744
k = 79	0.0948	-0.6358	-1.4144	-1.0752	0.4006	1.0122
k = 80	-0.4546	-0.8386	0.0692	0.7477	0.5822	1.7645
k = 81	-0.7553	-0.8082	-0.1889	-0.4776	0.2518	1.5239
k = 82	0.1025	-0.6883	-0.9371	-1.3321	0.9833	0.2876
k = 83	-1.1271	0.2357	-0.7550	-0.0556	-0.2024	1.1280
k = 84	-0.5079	-0.7137	-0.9255	-0.6732	1.7012	1.3794
k = 85	0.5169	-1.0935	-0.8925	-0.0001	0.1091	1.0988
k = 86	-1.7681	0.3668	-0.0939	-0.0305	0.4388	0.0137
k = 87	-0.0675	-0.8260	-0.3400	-0.0073	0.8921	0.5788
k = 88	0.6667	-0.0065	-0.4542	-0.5208	-1.5913	0.4587
k = 89	-0.3508	-0.0440	0.4690	-0.3244	1.2504	1.5357
k = 90	0.5621	-0.5092	-0.3184	0.5605	-0.0703	-1.5902
k = 91	-0.5536	0.0236	-0.0392	-0.0956	-0.5065	-0.4437
k = 92	-2.0650	-2.7254	0.4952	-1.7111	0.2524	1.3253
k = 93	1.1706	0.7848	1.6880	0.1034	0.1204	-0.0054
k = 94	0.0700	-1.3226	1.3571	-0.7726	-0.4275	1.1066
k = 95	-1.5610	-1.3303	1.1383	-0.8866	0.6330	-0.0722
k = 96	-0.3471	-1.1450	1.4733	-0.4084	-0.3077	0.3488
k = 97	-1.8577	-1.3504	0.0573	-2.0687	1.7147	1.2301
k = 98	-1.9187	-3.7685	1.3514	-3.0897	1.5611	1.0447
k = 99	-2.4258	-2.9656	-0.2349	-3.0016	1.7130	0.5552
k = 100	-2.4073	-1.5576	2.0556	-3.0424	1.0118	0.2184

U_4	$n = 1(x)$	$n = 2(x)$	$n = 3(x)$	$n = 1(y)$	$n = 2(y)$	$n = 3(y)$
k = 101	-1.9844	-3.1773	1.2756	-1.7699	0.1711	1.0828
k = 102	-0.3046	-1.1774	-0.6470	-1.1303	0.5014	-0.9075
k = 103	-2.4655	-1.3024	0.9717	-2.1335	2.1251	2.0064
k = 104	0.0023	-1.4732	0.9782	-1.6488	-0.4384	0.8949
k = 105	-0.9081	-0.9320	-0.4786	-0.2323	0.0264	-1.0107
k = 106	-0.4276	-0.3397	1.8277	-0.7637	-0.7670	-1.3961
k = 107	-0.6592	-0.6806	0.3859	-0.1351	-0.0043	2.0599
k = 108	0.5587	0.2238	-0.1696	0.2464	0.5786	-0.2060
k = 109	-0.4247	-0.8459	-0.2536	-1.1855	-0.4245	0.6678
k = 110	0.9039	0.9088	-0.3888	0.7823	0.5117	-0.7001
k = 111	-0.3809	0.8253	-0.9486	0.2925	-1.4940	-0.4665
k = 112	0.5083	0.6912	-1.6531	0.3468	0.8699	0.4395
k = 113	0.5166	1.1485	0.5384	1.8126	-0.2350	-0.7499
k = 114	-1.0530	0.9254	-0.3755	1.1053	-0.0344	-1.3863
k = 115	2.2880	0.6879	-1.5014	-0.4374	-1.4847	0.5374
k = 116	-0.3557	-0.3268	0.3308	0.5713	0.2750	-1.5474
k = 117	0.6820	1.8142	-2.3720	1.1137	0.4601	0.1514
k = 118	0.8592	2.0646	0.4167	1.1657	-0.6337	-1.1029
k = 119	-0.0791	0.0099	-1.1231	0.4935	-0.3122	-0.3699
k = 120	1.4099	1.6683	-1.2237	0.0211	-0.8192	-1.1000
k = 121	0.3025	0.5899	-1.4521	1.1584	-0.1892	-1.8537
k = 122	0.1656	1.5205	0.0352	1.2239	-0.4460	-1.1087
k = 123	1.2341	0.7049	-0.7365	1.3579	-0.8903	-0.5525
k = 124	-0.4067	0.7695	-0.5511	-0.6906	0.5760	0.4287
k = 125	0.1001	0.7109	-1.0441	0.6888	0.6398	-0.3938
k = 126	-0.2291	-0.2414	0.1932	-0.9425	-0.4745	-1.2187
k = 127	1.2464	0.5829	-0.2836	1.7851	-1.3693	-0.6940
k = 128	-1.3443	0.9145	-1.2762	0.2835	0.0767	0.4424
k = 129	1.9826	-0.0497	1.3228	-0.6429	-0.0019	-1.1058
k = 130	0.1706	0.6601	-0.5795	1.2670	-1.4766	-1.1458
k = 131	0.3836	0.5808	-0.8097	-0.2146	0.6124	-0.1744
k = 132	-0.4099	0.4178	-0.2374	0.3820	-0.5832	0.6158
k = 133	0.5572	-0.5423	0.3808	-0.4898	-0.5387	-0.9254
k = 134	-0.5428	0.3102	0.2864	-0.8082	0.2871	-0.6172
k = 135	-0.4629	0.2224	-0.0432	1.9419	-0.5202	-0.1225
k = 136	0.1078	0.1379	0.1462	-0.7973	-0.5623	0.4133
k = 137	0.4305	1.1417	-2.2303	1.0669	0.2826	-0.4483
k = 138	0.0550	1.8998	-0.4555	-0.4352	-0.0367	-1.7876
k = 139	0.0468	-0.8549	-0.6274	-0.5021	-0.1112	1.0492
k = 140	0.4199	1.2309	-0.8389	0.3785	-0.7395	-1.1343
k = 141	0.3805	1.0077	-0.6289	0.1664	-0.5298	-1.6278
k = 142	-0.2714	1.0038	0.0390	0.2457	1.1600	0.3615
k = 143	0.0126	0.5020	-0.8938	0.1578	-0.4529	-0.2240
k = 144	0.0029	0.2915	-1.3425	0.9299	-0.2992	-0.3624
k = 145	-0.6525	1.6546	-0.5807	1.3014	0.3319	-0.3570
k = 146	-0.3091	0.1283	-0.9745	-1.0170	0.3814	-0.7005
k = 147	-1.0808	0.8062	-0.1377	-1.1660	-0.3127	0.0437
k = 148	1.0403	0.8617	-0.5365	-0.7923	0.4339	-0.4028
k = 149	0.8457	-0.2154	-0.7487	1.5650	-0.8334	-0.2391
k = 150	-0.7177	1.2763	-0.2921	-1.5015	-0.3843	-1.1196

U_4	$n = 1(x)$	$n = 2(x)$	$n = 3(x)$	$n = 1(y)$	$n = 2(y)$	$n = 3(y)$
k = 151	-0.0381	-0.2964	1.1658	-0.7654	0.6615	-0.2786
k = 152	-0.4272	1.7936	-0.9579	-1.5698	-1.3101	0.2235
k = 153	1.1254	0.0933	-1.5330	-2.5213	1.1144	-0.0353
k = 154	1.2585	1.9223	-0.8864	-1.2513	-0.4482	-1.4215
k = 155	-0.1030	0.1198	0.2463	-1.8194	-1.3198	-0.4503
k = 156	3.1583	1.8197	-0.6107	-1.3098	-0.4684	0.4575
k = 157	0.7200	-0.6694	-0.0616	-0.9040	-0.5482	-1.3798
k = 158	1.5316	2.1077	1.3145	-1.9474	-1.1497	-1.2517
k = 159	0.3653	-0.7209	-0.9414	-3.6117	-1.6492	0.5343
k = 160	0.8082	1.6539	0.0286	0.1085	0.1939	-0.9995
k = 161	2.1566	-0.3162	-0.2847	0.0212	-0.0195	0.2473
k = 162	0.2728	0.6332	1.3232	-0.7381	-1.4131	-1.2803
k = 163	-0.2406	-0.2230	-0.2639	-0.8155	-1.0413	0.7349
k = 164	2.2268	-0.3208	-0.0809	-2.1267	-0.1094	-0.6159
k = 165	0.5020	1.3041	-0.2081	0.0395	-0.5602	0.0124
k = 166	-0.1747	-0.8633	0.3954	1.2749	0.5647	0.1524
k = 167	-1.3444	-0.3706	0.5789	0.7703	-0.9974	-0.5542
k = 168	-0.6205	0.3575	-0.7021	-0.9082	0.2372	0.6663
k = 169	0.3047	0.0243	-0.1113	0.7192	-0.8039	-1.0512
k = 170	0.0766	-0.3669	0.6823	-0.2772	-0.5376	-0.0157
k = 171	-0.7586	-0.7411	0.3463	3.6627	0.6023	0.5827
k = 172	-0.6612	0.3990	-0.8883	3.8282	1.0136	-0.6330
k = 173	-1.4034	-0.0892	-0.3008	4.4628	1.5291	2.2978
k = 174	-2.1151	0.9573	-0.4216	3.1727	1.8140	-0.0861
k = 175	-3.2974	-0.2263	-0.9325	3.6865	0.9706	0.2459
k = 176	-2.6493	0.2074	-0.7705	3.4449	1.2616	0.4759
k = 177	-2.2155	1.8618	-0.2273	3.4569	1.1980	-0.2571
k = 178	-2.0014	-0.1971	0.6715	2.0038	0.3404	0.5536
k = 179	-0.8572	0.6373	-1.3071	2.6036	1.7682	0.9727
k = 180	-2.6140	1.0344	-0.3877	2.2794	1.4569	0.3453
k = 181	-1.5079	-0.0193	-1.2553	1.2821	-0.0680	-0.1365
k = 182	-0.9859	0.6224	0.7282	0.4147	0.7981	0.8933
k = 183	0.5751	0.3124	-0.4723	0.7836	1.9635	0.5385
k = 184	-0.7569	0.3112	-1.1520	0.3423	-0.7020	-0.4083
k = 185	0.4991	0.1372	-0.4504	0.9584	1.0249	1.4259
k = 186	-0.4727	0.1324	-0.0668	0.6295	1.0568	-0.2534
k = 187	-1.0307	1.1179	-0.6820	0.0742	0.5828	1.2648
k = 188	0.4529	-0.2620	-0.2963	-0.6761	1.0357	0.1104
k = 189	1.0805	-0.4248	0.1985	-0.3718	0.6427	0.9844
k = 190	-0.6357	0.4436	-1.5641	1.9811	1.0400	0.9778
k = 191	-0.0317	1.6920	-0.6058	-0.2276	0.8646	0.0692
k = 192	0.0619	0.3797	-2.7288	-0.3298	1.5739	1.3703
k = 193	0.5642	0.4736	-0.5104	-0.0388	3.0720	2.9456
k = 194	-0.2059	0.0228	-1.4125	-0.0894	1.2328	1.7438
k = 195	0.6676	0.6144	-0.5402	0.2242	-0.2793	-0.3192
k = 196	0.3775	0.5841	-1.2423	1.4395	2.0598	1.6434
k = 197	0.1711	0.3110	-1.5649	-0.4033	2.1641	1.7967
k = 198	-1.0392	-0.3854	0.0086	-0.6755	0.4255	1.1550
k = 199	0.9586	0.2959	-0.3385	0.8109	-0.5772	-0.1912
k = 200	-0.3089	0.9157	-1.2308	0.0573	0.4441	-0.1027

U_4	$n = 1(x)$	$n = 2(x)$	$n = 3(x)$	$n = 1(y)$	$n = 2(y)$	$n = 3(y)$
k = 201	0.5653	-0.5405	-0.7020	0.2396	1.0270	0.3285
k = 202	-1.5339	0.9237	-0.3006	0.3722	0.2643	1.2840
k = 203	-0.1794	-0.9906	-1.4394	-0.5788	1.3299	0.6026
k = 204	0.9270	-0.0349	1.4508	-0.6796	-0.0544	0.6770
k = 205	0.1871	1.0170	-1.3885	0.4854	-0.2825	-0.0113
k = 206	0.5602	-0.9537	0.4518	0.3764	-0.0677	-0.7876
k = 207	0.3622	-0.7845	0.1973	0.1933	-0.5404	0.5321
k = 208	-0.5959	0.5000	0.2975	-0.0443	0.4162	0.2813
k = 209	-1.3198	0.1247	0.5076	0.4624	-1.0362	0.1595
k = 210	0.5584	-0.6432	-0.8318	-0.7981	0.3995	-1.0905
k = 211	-0.0910	0.1380	0.5789	-1.5210	-1.0188	-1.9809
k = 212	0.5556	-0.7152	0.6993	1.0083	-0.9440	0.3670
k = 213	-0.2985	-0.3154	0.7481	1.0800	0.1437	-0.5961
k = 214	0.3471	0.7468	0.2959	-0.1976	-0.2677	-0.0026
k = 215	-2.1678	0.2088	-0.4992	-1.5300	-0.4815	0.9698
k = 216	1.0138	0.0287	-0.2955	0.2734	0.9842	-0.2882
k = 217	0.2675	-0.0360	-0.3827	-0.7699	-0.5115	0.9920
k = 218	0.7301	-1.0597	0.0875	1.3133	0.1456	-0.6469
k = 219	0.0647	-0.0943	0.5794	0.1400	-0.3619	-0.7137
k = 220	-0.3716	1.3691	-0.0494	-0.6996	0.3461	-0.3058
k = 221	0.0536	-0.3729	0.6924	-0.1847	-0.4538	-0.1870
k = 222	0.3521	-1.0723	-0.3071	0.9212	-0.6271	-0.0050
k = 223	-1.7305	0.8650	0.0524	-0.5264	0.0890	0.9013
k = 224	0.1975	0.2479	-0.8111	0.7615	0.7300	0.5247
k = 225	0.5998	0.1125	0.7356	-1.0472	-0.2236	-0.3271
k = 226	1.0030	-1.1524	-0.1302	0.5804	-0.2289	-1.0585
k = 227	-0.7027	0.8413	-0.4075	-1.3250	-0.4507	0.4996
k = 228	0.1510	0.2130	0.6315	0.8479	0.1338	0.6245
k = 229	-0.7510	-0.3138	0.2952	0.3316	0.3841	-0.6354
k = 230	1.5620	-0.3757	0.5131	-0.3037	-0.0294	-0.4129
k = 231	-1.9953	0.4244	-0.2135	0.2366	-1.0386	0.0150
k = 232	0.3711	0.7532	0.2707	-0.4504	1.2299	-0.0841
k = 233	0.2800	-0.7048	-0.1458	-0.1241	0.0124	-0.0340
k = 234	-0.4787	0.2848	0.4068	-0.5122	-0.7292	-0.1167
k = 235	-1.0827	0.9135	-0.8944	-0.9160	-0.4269	1.3115
k = 236	-0.3028	1.1600	-1.8356	-0.9649	-1.8644	1.8610
k = 237	-0.1127	-1.6378	-3.6744	-0.0702	-2.3183	3.2567
k = 238	0.1285	-1.3918	-5.6498	0.2656	-7.4304	7.2063
k = 239	0.7556	-4.3882	-6.1580	1.5096	-9.8624	8.1695
k = 240	3.3681	-3.9471	-9.6811	3.7935	-7.5747	10.1761

TABLE VII. The magnetic field $\{h_{n,k}^x\}$ and $\{h_{n,k}^y\}$ to realize the U_5 . We take the total time $T = 1.5$, $K = 150$, and thus the Trotter step $\tau = 1.5/150$.

U_5	$n = 1(x)$	$n = 2(x)$	$n = 1(y)$	$n = 2(y)$
k = 1	-0.2526	0.1246	3.7404	3.0209
k = 2	1.6681	0.6400	2.7494	3.0677
k = 3	2.4961	-2.2851	2.7072	2.1781
k = 4	2.9811	-1.7380	1.9319	3.8018
k = 5	1.9753	-1.3127	3.7385	3.9821
k = 6	2.4912	-0.8143	2.4790	3.1630
k = 7	1.5543	-0.4459	1.9010	3.2737
k = 8	-1.0301	0.0714	2.6000	2.5327
k = 9	0.6190	0.2893	4.9189	5.1051
k = 10	-0.9145	1.8110	4.9778	4.7549
k = 11	2.2380	-0.0513	3.4676	2.4581
k = 12	1.2574	-0.1669	0.6712	1.0851
k = 13	2.4185	-0.9994	-1.4006	-2.1871
k = 14	2.9395	-2.6496	-3.8133	-3.2936
k = 15	-0.6851	-1.2116	-2.9466	-1.8856
k = 16	-0.1705	-1.1679	1.2177	1.1947
k = 17	-1.0095	0.3071	1.8800	2.2700
k = 18	0.1706	0.0043	2.6368	2.8897
k = 19	-1.6443	1.7420	2.9502	2.8978
k = 20	0.1484	0.5451	1.9206	1.8864
k = 21	-0.6175	1.3404	0.0965	0.1524
k = 22	-0.5354	0.0646	0.3845	0.1705
k = 23	-1.2667	1.0534	0.5836	1.5982
k = 24	-2.9108	1.9516	0.9146	2.1680
k = 25	-4.5054	5.8352	1.4020	2.4383
k = 26	-3.4600	3.5100	-0.3623	-0.6410
k = 27	-3.5943	3.8112	-0.1034	0.4345
k = 28	-2.2527	2.4694	-0.3615	-1.5182
k = 29	0.6457	-1.2564	1.1800	-0.5666
k = 30	1.9776	-2.0831	0.4144	0.8941
k = 31	-0.5707	0.7404	0.0031	0.4086
k = 32	0.3491	-1.0029	0.8530	-0.4141
k = 33	2.5444	-3.4526	2.3435	0.7268
k = 34	1.4273	-3.6367	2.7479	3.3037
k = 35	0.0380	-1.8066	5.0485	4.8795
k = 36	1.9915	-1.8039	4.2991	2.9149
k = 37	2.2054	-1.1861	0.8717	1.4543
k = 38	-0.6112	0.2691	-0.4956	0.1168
k = 39	-0.9064	-1.4375	2.0170	1.1817
k = 40	0.3668	-2.5075	5.0434	3.8808
k = 41	0.3173	-1.2452	3.0140	3.3211
k = 42	1.3983	-1.6547	2.7824	1.5080
k = 43	0.4329	-1.7543	2.3334	2.2348
k = 44	0.7272	-0.5318	1.6959	0.9251
k = 45	2.0530	-2.0223	0.9667	0.0104
k = 46	0.7987	-1.6202	0.5566	0.0448
k = 47	0.1448	-1.2377	2.3564	1.5607
k = 48	3.0052	-3.0343	2.0746	-0.8107
k = 49	3.0164	-3.7420	1.7484	0.5607
k = 50	2.4051	-3.3567	2.4668	-0.2093

U_5	$n = 1(x)$	$n = 2(x)$	$n = 1(y)$	$n = 2(y)$
k = 51	2.5880	-3.7934	1.9601	0.7360
k = 52	2.8453	-3.0569	2.6682	0.7348
k = 53	1.6256	-1.3941	0.0388	0.2349
k = 54	1.0472	-0.0278	-0.5968	-0.8466
k = 55	-0.2945	-0.7209	0.4633	0.1301
k = 56	1.9436	-1.2473	0.5889	-1.4228
k = 57	2.1115	-1.7457	0.5882	-0.2029
k = 58	1.2535	-0.2340	-1.7668	-1.7960
k = 59	-1.5562	-2.0844	1.2904	1.4427
k = 60	-1.9965	-0.8013	2.9557	4.1294
k = 61	-1.3134	-1.0579	4.2440	2.8136
k = 62	0.4010	-1.0429	2.0132	2.4081
k = 63	-0.9822	-0.0765	0.9883	1.2413
k = 64	-1.0256	-0.9401	1.2979	2.1422
k = 65	-2.6047	0.7554	2.0554	2.4107
k = 66	0.7008	-2.0508	3.0583	1.3541
k = 67	0.3928	0.2368	0.6944	1.0951
k = 68	2.3045	-0.2244	-0.2178	-3.1556
k = 69	2.6364	-4.2079	2.1429	-2.5706
k = 70	5.4591	-5.7987	3.6920	-1.6735
k = 71	3.5216	-2.8556	0.9333	-1.6257
k = 72	4.5994	-4.3587	2.5825	-2.7191
k = 73	2.7692	-3.2347	1.3990	-2.0412
k = 74	2.8459	-4.4682	2.5667	-1.1891
k = 75	0.4149	-4.1219	3.1490	1.3078
k = 76	0.1911	-1.7613	2.8000	1.1801
k = 77	1.3493	-3.6537	3.2450	-0.3828
k = 78	-0.2653	-2.8981	2.4800	0.8117
k = 79	0.2121	-3.9180	3.6141	1.9291
k = 80	-1.6444	-1.9306	1.9565	2.8974
k = 81	-2.1680	0.5414	0.4910	3.7339
k = 82	-2.3613	2.0650	-1.2469	1.7934
k = 83	-1.3519	1.1866	-0.3321	1.4421
k = 84	-1.0795	2.0930	-1.5513	1.0793
k = 85	-0.1410	3.0525	-2.7122	0.6634
k = 86	-1.6061	4.5136	-5.1965	0.3532
k = 87	-2.7500	2.4274	-2.3690	1.5370
k = 88	-2.7017	2.3668	-2.8468	3.0772
k = 89	-4.0052	3.9566	-2.9829	3.4661
k = 90	-1.5546	3.3843	-0.9596	-0.1451
k = 91	3.1230	-0.2147	2.0831	-4.0856
k = 92	5.7104	-0.5531	0.7696	-4.6915
k = 93	4.8799	1.6250	-1.0852	-3.8016
k = 94	5.6395	1.8766	-1.4020	-5.8369
k = 95	4.5006	2.1990	-1.1791	-4.2450
k = 96	3.7820	0.2779	-0.5617	-4.0616
k = 97	3.9715	1.7994	-0.8202	-1.6538
k = 98	3.4630	5.2659	-6.1354	-0.0737
k = 99	1.1020	5.1909	-5.2286	-0.5282
k = 100	-0.8056	2.1055	-2.4895	1.1413

U_5	$n = 1(x)$	$n = 2(x)$	$n = 1(y)$	$n = 2(y)$
k = 101	1.2317	2.9320	-1.5134	-1.2433
k = 102	1.3720	0.0728	0.9427	-2.0653
k = 103	1.6216	0.3880	-0.3022	-1.3144
k = 104	0.5013	-0.2014	-0.3159	0.1511
k = 105	0.3475	2.1549	-1.5947	-0.0111
k = 106	-0.4067	-1.3875	1.4739	-1.4629
k = 107	-0.8883	-2.3651	1.1065	0.0069
k = 108	-2.2037	-1.4782	2.3604	-0.6614
k = 109	-2.1095	-6.3693	8.0903	-5.3226
k = 110	-3.1532	-9.0691	10.1082	-6.3236
k = 111	-7.0005	-9.2098	10.8300	-9.1489
k = 112	-10.0418	-9.0828	10.4089	-11.7373
k = 113	-10.7213	-4.2940	6.8605	-11.8130
k = 114	-12.6123	-2.2676	4.6582	-13.4543
k = 115	-8.5273	-1.8780	1.4160	-9.1319
k = 116	-6.6439	-0.2624	0.9106	-5.8611
k = 117	-3.6398	0.2160	1.5550	-3.7036
k = 118	-0.2161	0.2311	0.6399	-1.2154
k = 119	-0.8604	-1.9287	-3.0573	-2.1241
k = 120	-3.2426	-1.6135	-2.5290	-2.9640
k = 121	-2.5214	-1.2555	-0.8024	-3.0732
k = 122	0.0669	-3.1705	-3.5522	-1.0695
k = 123	-2.0315	-1.4761	-1.7030	-2.3565
k = 124	-0.3285	-3.2044	-3.6016	-1.6975
k = 125	-1.9314	-2.3359	-3.4687	-2.1790
k = 126	-1.5121	-1.8576	-2.5777	-3.4398
k = 127	-0.2876	-5.2960	-4.9778	-2.2165
k = 128	0.0126	-3.6526	-3.9353	-2.0813
k = 129	-0.1752	-4.5850	-4.6113	-1.1762
k = 130	-0.0184	-2.6688	-1.6010	0.9150
k = 131	0.5295	1.1838	2.4918	2.8165
k = 132	0.5328	1.7703	2.9513	1.7527
k = 133	4.8500	-1.0009	3.8282	4.6626
k = 134	5.0508	-0.8025	1.6563	5.3937
k = 135	3.4649	0.9136	2.0530	4.2167
k = 136	2.1847	-1.2600	-1.8036	-0.7139
k = 137	1.0971	-2.0655	-1.1729	0.3723
k = 138	2.2864	-2.9983	-1.8096	0.0194
k = 139	0.8524	-1.1379	-0.9944	1.2727
k = 140	0.7051	-1.1809	0.0583	0.7243
k = 141	2.0693	-0.5950	0.4014	1.0973
k = 142	0.7342	-0.5464	-1.7316	0.0858
k = 143	-2.1975	0.6435	-1.4736	-1.3813
k = 144	-2.5274	1.9138	1.5171	-0.4073
k = 145	-2.1093	2.1553	0.8365	-0.8790
k = 146	-1.9177	1.3776	3.3030	2.3630
k = 147	-2.2983	6.7777	6.2899	3.5370
k = 148	-0.9916	2.7220	4.5059	2.0086
k = 149	-0.3714	3.3358	4.3745	3.1917
k = 150	0.5901	2.3989	3.6287	1.8607

TABLE VIII. The magnetic field $\{h_{n,k}^x\}$ and $\{h_{n,k}^y\}$ to realize the U_6 . We take the total time $T = 2.4$, $K = 240$, and thus the Trotter step $\tau = 2.4/240$.

U_6	$n = 1(x)$	$n = 2(x)$	$n = 2(x)$	$n = 1(y)$	$n = 2(y)$	$n = 2(y)$
k = 1	-0.2497	0.5100	4.6057	0.1791	-1.0998	2.6481
k = 2	0.0249	0.7050	1.8959	0.4812	-0.1437	2.2382
k = 3	-0.0737	0.0018	3.2687	-0.5180	0.3367	4.3415
k = 4	0.3004	0.6355	2.2547	-0.5387	0.6146	4.6550
k = 5	-0.3977	0.0744	0.9662	0.3782	-0.7550	1.1707
k = 6	-0.1321	-0.8564	3.0828	0.2397	0.2449	1.2369
k = 7	1.2458	-0.2453	1.1611	0.4628	0.2579	2.8446
k = 8	-0.0410	-0.2238	1.7107	-0.3510	0.1138	3.3307
k = 9	0.0482	-0.1133	0.7612	-0.1571	-0.4761	3.2158
k = 10	0.1226	-0.3333	1.2913	1.0394	0.3437	1.6395
k = 11	-0.6786	0.4511	1.5438	-1.2230	0.1131	0.3672
k = 12	1.2900	-0.8149	1.7018	0.8837	-0.1279	0.1619
k = 13	-0.4542	0.4077	-1.4424	0.2678	0.1022	0.3666
k = 14	-0.3925	0.0112	2.5954	-1.1944	-0.3038	0.7046
k = 15	0.6936	-0.7256	2.9381	1.3273	0.6654	2.0340
k = 16	0.0992	-0.1562	2.3905	-0.4345	-0.5225	2.0666
k = 17	-0.3363	0.7024	-0.3099	-0.1439	0.4516	-1.3397
k = 18	0.3010	-0.2941	0.6795	-0.3060	0.0068	0.7117
k = 19	0.1947	-0.8227	0.9383	0.9409	0.0547	0.4389
k = 20	-0.3030	0.7227	1.6339	-0.6365	-0.0204	0.8248
k = 21	0.4186	-0.2512	0.5572	0.2006	0.3036	-0.1682
k = 22	0.3339	-0.4374	3.2906	-0.4819	-0.0996	0.3561
k = 23	0.0773	-0.2488	3.2947	1.0339	0.3491	0.2117
k = 24	0.5940	-0.3842	2.6403	-0.6882	0.4131	0.3652
k = 25	-0.0961	-0.1766	1.4033	0.6474	-0.0449	0.3936
k = 26	0.3577	-0.1267	0.7737	-0.3568	0.2396	1.0767
k = 27	0.9932	-0.9528	-1.1835	0.5438	0.0194	1.0800
k = 28	-0.6148	0.2068	0.2946	0.1714	-0.2739	1.2675
k = 29	0.2592	0.5301	1.3283	-1.1459	0.9701	-0.5932
k = 30	0.5661	-1.0014	-0.7129	1.1155	-0.4828	0.2167
k = 31	-0.0974	-0.0790	-2.0837	-0.0418	0.2309	0.8544
k = 32	-0.4153	0.7190	2.4903	-0.2009	-0.0176	-0.0750
k = 33	-0.1156	0.0407	-0.6648	-0.3556	-0.3345	3.5027
k = 34	-0.7763	0.4420	-0.2415	0.1740	-0.4198	2.9147
k = 35	-0.5739	0.7836	-1.0124	-0.8213	-0.1795	2.1210
k = 36	-1.2475	1.0725	0.2090	0.2006	-1.0854	1.9880
k = 37	-2.0875	1.7737	-1.7354	-0.8707	-0.6578	3.5988
k = 38	-2.3562	2.5401	-1.1890	-1.2288	-1.9213	3.0115
k = 39	-2.5962	2.1614	-2.8732	-0.6994	-0.5245	0.5470
k = 40	-1.9370	2.2612	-2.6067	-0.9017	-0.6927	1.6354
k = 41	-3.3529	3.5538	0.1994	-1.2801	-2.3016	2.3844
k = 42	-3.9522	3.6449	-0.7579	-2.0025	-0.6658	2.1435
k = 43	-2.7147	3.1080	-0.7506	-1.3693	-1.4146	2.0251
k = 44	-3.5562	3.3642	0.5208	-0.7883	-1.4118	1.3013
k = 45	-1.2342	1.7352	0.7285	-1.5216	-0.0801	0.6694
k = 46	-1.4974	1.5003	-0.6003	-0.0495	-0.7494	0.9592
k = 47	-1.5123	1.3625	0.8287	-1.1562	-0.4456	-1.0044
k = 48	-0.9222	0.7596	0.3311	0.3031	0.0617	1.2409
k = 49	-0.1771	0.9073	0.2327	-0.8101	-0.3872	-0.7456
k = 50	0.3457	-0.3019	-0.4592	-0.1071	0.8912	-1.6617

U_6	$n = 1(x)$	$n = 2(x)$	$n = 3(x)$	$n = 1(y)$	$n = 2(y)$	$n = 3(y)$
k = 51	0.2293	-0.1974	1.3549	0.4354	0.3913	-2.0596
k = 52	0.1708	-0.2360	1.6599	-0.2171	0.0145	-2.9738
k = 53	0.9497	-0.6061	0.0885	0.2058	1.0790	-3.2615
k = 54	0.9410	-0.3143	0.9997	0.4361	0.3976	-1.2407
k = 55	0.0385	-0.8826	0.2962	-0.1107	0.3532	-2.6491
k = 56	0.8990	-0.1062	-0.5688	0.4652	0.5910	-4.0023
k = 57	-0.4595	0.9487	-0.2555	-1.1582	0.4212	-1.6263
k = 58	0.1967	-0.5828	1.9200	0.7814	-0.0284	-3.6451
k = 59	-0.3427	0.5144	0.8206	-0.4582	-0.8010	-5.3699
k = 60	-0.6327	0.1961	4.9460	0.2867	0.2842	-5.2996
k = 61	-0.1334	-0.0552	1.8155	-0.5128	-0.9071	-6.3875
k = 62	-0.1437	-0.0070	1.4065	0.7076	-0.1855	-4.4658
k = 63	-0.5631	0.2988	0.9549	0.1304	-1.2845	-4.0951
k = 64	-0.0022	-0.8754	1.3772	0.0530	0.0762	-3.1494
k = 65	-0.9005	0.9382	1.6113	0.3982	-0.9520	-1.7153
k = 66	-0.9640	1.1759	-0.9038	-1.3353	-0.1427	-3.4355
k = 67	-1.1093	1.4659	0.8907	-0.1260	-0.9382	-0.8112
k = 68	-0.6497	-0.1434	0.4517	-0.1485	-0.8709	0.4111
k = 69	-1.1084	0.2823	-1.1100	0.6714	-0.6260	-0.2579
k = 70	-0.1659	1.0483	-1.2623	-0.9916	-0.2640	1.4863
k = 71	0.3889	-1.0637	2.6154	1.1193	-0.8970	0.1784
k = 72	0.5019	-1.1718	-1.5268	0.4800	0.4616	0.7580
k = 73	1.0217	-0.0371	-0.6952	-0.3413	0.7095	1.0803
k = 74	0.4548	-1.6547	-1.4636	1.5419	-1.1784	1.8978
k = 75	2.0522	-2.5478	-1.5775	1.0337	0.7353	3.2762
k = 76	1.8818	-1.9901	0.2168	1.4019	0.0990	3.4103
k = 77	1.5872	-1.8037	-1.9318	1.1995	0.9050	2.5260
k = 78	2.5796	-2.6645	0.2639	0.2065	0.5396	1.1376
k = 79	0.6160	-1.0943	-1.9713	1.2473	-0.0543	1.4170
k = 80	2.2016	-2.6234	-0.0936	2.0287	-0.3434	0.2427
k = 81	0.2440	-0.5663	0.8386	0.0509	0.3013	1.4575
k = 82	1.1208	-1.3572	1.6573	0.9017	-0.6723	0.2705
k = 83	0.8330	-1.2746	-0.7094	1.0317	0.0676	-0.4265
k = 84	0.4784	-0.6772	-0.3022	0.6693	-1.1912	-1.9409
k = 85	0.1527	-1.0302	-0.1321	1.0256	-0.3774	-0.7110
k = 86	-0.3339	0.4299	0.1565	0.5461	-0.6756	-0.2130
k = 87	-0.9695	0.7349	0.9767	-0.8313	-0.6078	-0.2664
k = 88	-0.7578	0.9104	0.1028	-0.5076	-0.3770	-0.2071
k = 89	-1.5662	1.0492	-0.9742	0.0987	-1.0238	0.1586
k = 90	-1.8082	1.4760	1.6350	-0.4980	-1.1528	0.2706
k = 91	-3.5910	2.0715	-1.6109	-0.3766	-2.2525	-0.8808
k = 92	-4.7826	2.8131	0.2375	-0.6913	-2.8126	0.0599
k = 93	-5.6533	1.8214	-0.9985	1.7860	-5.4466	0.9610
k = 94	-6.2494	2.1494	0.7913	0.9679	-5.0451	0.5309
k = 95	-6.0232	0.0094	0.6204	3.2637	-5.6863	1.6145
k = 96	-5.7642	-1.9743	0.3634	5.4769	-5.8287	-0.1831
k = 97	-3.1857	-2.0570	0.9970	3.8914	-4.4166	1.0443
k = 98	-1.6637	-1.5974	-0.8119	2.9415	-1.4966	-0.2871
k = 99	0.2905	-2.1846	0.0633	2.2079	-0.3810	-0.7365
k = 100	1.7103	-1.8892	0.5831	2.1311	1.0482	0.0474

U_6	$n = 1(x)$	$n = 2(x)$	$n = 3(x)$	$n = 1(y)$	$n = 2(y)$	$n = 3(y)$
k = 101	0.6342	-0.4127	0.3592	-0.1613	0.9504	-0.4756
k = 102	0.9622	-1.3255	0.2260	1.2500	0.2236	0.2948
k = 103	1.1919	-0.2715	-0.1248	0.4849	1.3527	-0.5681
k = 104	1.0399	-0.6070	0.4787	0.5657	0.1895	-0.9628
k = 105	1.1831	-1.1931	-0.6240	0.6814	1.7484	-0.0850
k = 106	1.4211	0.0566	1.1138	-0.6054	0.7383	-0.8036
k = 107	1.2733	-0.2696	-0.9167	0.4214	1.4671	-1.5569
k = 108	2.2583	0.3825	-1.0613	-0.7845	1.4125	-0.8874
k = 109	0.1382	0.2597	-0.7990	-0.8129	1.0632	0.7141
k = 110	0.5294	2.4637	0.6654	-3.4660	0.5259	-1.3354
k = 111	-0.0600	0.7608	-1.8189	-1.1049	0.9983	0.5959
k = 112	0.2433	0.5666	-0.2355	-0.9332	-0.1152	0.4741
k = 113	0.0857	-0.4730	0.7996	0.8568	0.4126	-0.2464
k = 114	-0.7309	-0.3102	-0.0753	0.3886	-1.0595	0.1654
k = 115	-0.8474	-0.5113	0.8846	0.5018	-0.4977	0.6323
k = 116	0.0687	-1.5196	0.8803	1.5395	-0.1705	-0.5812
k = 117	1.1532	-0.5956	0.8352	0.8651	1.0861	-1.8948
k = 118	1.2610	-2.1000	0.5458	1.8863	0.4116	-0.2986
k = 119	0.9542	-0.1573	0.4726	-0.3353	0.6030	-0.3120
k = 120	0.3157	-0.4195	-0.7642	1.0190	0.6675	-1.4958
k = 121	-0.6037	0.9358	-0.4251	-1.2423	0.2859	0.1319
k = 122	1.2662	0.8658	-1.6587	-1.9123	1.0581	0.0555
k = 123	-0.7083	-0.2148	1.8770	0.4092	-0.6858	0.4097
k = 124	0.4383	-0.8965	-0.4765	1.2739	0.5403	-1.2734
k = 125	0.5906	-0.3870	-0.4375	0.1691	0.7754	-0.6085
k = 126	-0.0127	-0.2100	1.3154	-0.6363	-0.5204	0.2515
k = 127	0.0153	-0.5443	-0.1410	1.4373	1.1514	-1.2137
k = 128	1.1814	-0.8403	0.6119	-0.8554	0.0885	-0.6511
k = 129	-0.3000	-0.1949	0.0313	0.2398	0.5958	-1.1151
k = 130	-0.0253	-0.3855	-0.6876	1.3431	1.6171	-1.3558
k = 131	0.8574	0.6221	-0.9965	-1.3431	0.9829	-1.1882
k = 132	1.4093	0.2932	-1.0950	-0.1061	-0.0424	1.1168
k = 133	-1.6021	0.0560	1.1571	-0.2351	0.3153	-0.6914
k = 134	-0.0224	-2.1051	1.2736	0.5741	0.1614	-1.2320
k = 135	1.0398	-0.1283	0.4872	0.8099	0.0371	0.5007
k = 136	0.5117	-2.0192	3.1982	0.7251	-1.2972	0.3734
k = 137	0.5460	-0.5513	-0.3862	-0.8436	0.9115	-1.5308
k = 138	-0.8305	-2.0184	2.4183	1.0194	0.2808	-1.1414
k = 139	0.6484	-0.6940	-0.1552	0.7488	0.9286	-1.0251
k = 140	0.9324	-0.6275	0.3299	-0.5230	0.3176	-1.1611
k = 141	-0.5727	-0.0288	-0.2859	0.5503	0.9698	0.1843
k = 142	0.6834	-0.5247	0.2075	0.5470	0.1517	-0.8578
k = 143	0.0115	-0.6031	0.0583	0.0999	0.3607	-0.2075
k = 144	0.6445	0.1604	-0.3327	-0.4248	1.0129	-1.1478
k = 145	-0.1157	-1.5002	0.8939	-0.0401	0.7601	-0.5056
k = 146	-1.0156	0.2320	-0.6296	0.4957	0.2479	-0.8245
k = 147	1.4528	-0.6224	0.5890	-0.0444	0.1165	0.5528
k = 148	0.3910	0.0077	0.0862	0.2878	0.2239	-0.7557
k = 149	-0.3090	-0.7507	-0.2607	-0.8667	0.9054	-0.4209
k = 150	-0.9814	-1.1492	0.7348	0.7931	1.2270	-1.7805

U_6	$n = 1(x)$	$n = 2(x)$	$n = 3(x)$	$n = 1(y)$	$n = 2(y)$	$n = 3(y)$
k = 151	2.5441	-0.1285	-0.5492	1.9298	1.0187	-0.2967
k = 152	-0.5263	-0.4344	-0.1148	1.5449	-0.0968	-0.3728
k = 153	2.5069	-1.9371	1.8807	3.3706	1.0012	-0.9541
k = 154	2.8177	-1.2702	-0.2051	3.5884	1.7461	-1.7164
k = 155	3.5532	-2.4746	0.2541	5.4222	2.0584	-1.2955
k = 156	3.6865	-3.0133	1.6482	4.5209	1.8216	-2.0246
k = 157	5.3629	-2.1009	1.0093	5.6013	1.3854	-1.0893
k = 158	3.2508	-1.5557	1.0159	4.8110	0.7088	-1.2521
k = 159	2.3113	-1.4735	0.3272	2.2139	0.5875	-0.7050
k = 160	1.5108	0.6337	-0.5165	2.6061	0.9515	-0.6268
k = 161	1.1144	-0.8417	0.3754	0.8785	0.0181	-0.7966
k = 162	1.4739	2.5723	-2.1625	-0.1372	0.3432	1.6444
k = 163	-0.6243	1.4597	-1.1525	2.4763	-0.3772	-0.0981
k = 164	0.3369	0.8460	-0.8825	1.4742	0.3315	0.4967
k = 165	0.7927	1.7313	-0.4667	0.4228	-0.7494	1.1793
k = 166	0.9698	0.4669	-0.8108	1.5671	-0.9358	0.7446
k = 167	1.1372	0.8029	1.1279	2.4921	-1.5319	1.3628
k = 168	1.7965	1.0105	0.2148	2.4779	-1.6808	1.2128
k = 169	1.1066	-0.0565	0.8361	3.3446	-1.4931	1.0528
k = 170	1.6203	-0.8178	2.4117	1.3056	-3.2471	1.4867
k = 171	-0.3907	-0.5066	1.6747	1.1380	-1.6241	1.3827
k = 172	1.4366	-1.9333	3.5140	1.0523	-3.8961	1.6563
k = 173	1.6733	-2.3979	3.5801	-1.0994	-3.3345	1.8975
k = 174	-0.4327	-2.4188	4.2035	1.9170	-3.4876	1.6206
k = 175	2.7023	-1.7731	2.4756	0.8910	-2.6992	1.1741
k = 176	-2.5149	-2.6103	3.8079	-0.0256	-2.3125	0.9095
k = 177	-0.2765	-1.1047	1.9390	0.6525	-2.9622	1.6635
k = 178	1.0761	-1.4828	2.2710	-1.6931	-1.8798	1.4990
k = 179	-0.8890	-1.2216	1.3190	-0.9410	-0.6968	-0.5431
k = 180	-0.1714	0.2841	-0.2742	-0.5971	0.1241	0.1886
k = 181	0.6810	-0.9119	0.7839	-2.2962	-0.7963	0.7992
k = 182	-0.9661	-1.5085	2.1487	-3.8352	-0.8373	-0.0148
k = 183	-1.4630	-0.2181	-1.0004	-2.4378	-0.0323	-0.2055
k = 184	-1.8593	-0.0547	0.8867	-1.2222	0.5280	-0.1456
k = 185	0.3687	-0.1625	0.2235	-2.4090	-0.7823	0.1959
k = 186	-0.8649	-0.2477	-0.4522	-2.3104	0.4266	0.2853
k = 187	-0.3630	0.2040	0.3773	-1.4621	-0.3819	0.0836
k = 188	-1.7172	-0.8647	0.8658	-3.6875	-1.0089	-0.0698
k = 189	0.3811	0.2311	0.0835	-2.9513	0.9259	0.2949
k = 190	-2.2472	0.1088	-0.4193	-4.7990	-0.6047	-0.5472
k = 191	-1.3934	0.5527	-0.4266	-1.9552	0.5506	0.7527
k = 192	-3.6108	-0.3222	0.6292	-2.6698	-1.1103	0.1774
k = 193	-1.1116	0.6030	-0.3311	-3.6438	0.5391	-0.1937
k = 194	-1.8659	-0.1383	-0.0841	-1.8250	-0.0278	-0.2995
k = 195	-2.1469	0.2837	0.0106	-4.1913	0.0307	0.1365
k = 196	-1.5381	-0.0246	-0.3392	-0.4023	0.1320	0.2697
k = 197	0.2755	0.3334	0.0450	-0.9398	-0.4266	-0.1241
k = 198	-1.2135	0.0766	-0.3073	-2.2976	0.1746	0.0231
k = 199	-0.4564	0.3118	0.0377	-3.5800	0.6158	-0.3087
k = 200	1.2304	-0.5379	0.0306	-2.1017	-0.0444	0.2004

U_6	$n = 1(x)$	$n = 2(x)$	$n = 3(x)$	$n = 1(y)$	$n = 2(y)$	$n = 3(y)$
k = 201	-1.0091	0.0717	0.1447	-2.3102	-0.9485	0.3595
k = 202	0.7319	-0.7980	1.9473	-1.6241	-0.8940	0.0608
k = 203	-0.6019	-0.2369	-1.3414	-1.8735	0.6588	0.1589
k = 204	0.7618	0.6465	0.6701	-2.0000	-0.1725	0.2333
k = 205	-0.9652	-1.0499	0.2322	-1.3188	-0.0966	-0.5307
k = 206	-0.0716	0.0247	-0.1714	-1.4013	0.1459	0.2868
k = 207	0.6375	0.3228	0.3815	-0.0697	-0.0387	-0.3556
k = 208	1.0556	-0.0518	-1.1395	-1.3549	0.7532	-0.1796
k = 209	0.2084	0.6197	-0.6573	-0.4375	0.6007	0.0239
k = 210	0.2041	0.0160	-1.2012	1.4764	1.6795	-1.4283
k = 211	-0.8707	1.7507	-1.2584	-0.1201	1.1723	-0.3162
k = 212	0.3641	1.7571	-3.6915	1.7068	2.2355	-0.7183
k = 213	-2.1490	1.1355	-1.8241	0.2234	3.0251	-1.6082
k = 214	0.1913	1.7935	-3.4551	0.0835	2.4501	-1.2599
k = 215	-0.9782	1.5256	-1.9330	2.8319	1.5322	-0.3388
k = 216	-0.1892	0.9690	-1.2525	2.7615	1.0560	-0.1371
k = 217	0.1296	0.2785	-0.8096	1.6869	0.9226	-0.7903
k = 218	1.0527	0.4527	-1.0480	2.0070	1.3962	-0.9055
k = 219	-1.1609	1.9602	-2.4592	1.7495	1.0293	-0.0143
k = 220	0.0233	0.3002	-0.4368	0.0215	1.0744	-0.3903
k = 221	0.2057	0.4032	-0.7961	3.8456	0.0112	-0.0764
k = 222	1.1215	-0.9045	0.7974	2.8182	-0.3056	0.1484
k = 223	0.2380	0.6181	0.6179	2.2711	-0.7342	0.4130
k = 224	-1.9212	-0.4644	-0.6315	1.7733	0.6346	-0.4686
k = 225	-1.6073	0.6629	0.1208	1.2946	-0.3228	0.0028
k = 226	-0.2471	-0.9007	0.2399	-0.4366	-0.1159	0.3984
k = 227	-1.8641	0.2169	1.1007	1.2990	-0.9743	-0.0506
k = 228	-0.6277	-0.8043	-0.3847	2.9792	0.1297	-0.0305
k = 229	-1.7364	0.2657	0.7675	1.4363	-1.1358	1.2176
k = 230	-1.3001	-0.8696	1.3749	2.1750	-0.3747	-0.3063
k = 231	-0.9274	-0.2153	0.7034	0.1955	-1.5643	0.2801
k = 232	-1.2262	0.1537	0.4000	0.6389	0.0954	0.3367
k = 233	-0.4531	-0.0809	-1.2914	1.8893	0.6666	-0.6706
k = 234	0.1263	-0.1042	0.5897	-0.6283	0.2951	0.1873
k = 235	1.2462	-0.6808	0.6191	-1.8905	-0.8330	0.8086
k = 236	0.7472	-0.0007	0.8730	-1.8918	-1.2670	-0.0703
k = 237	0.3365	-0.3152	-0.0922	-3.3202	0.6544	0.0629
k = 238	-1.3025	0.2276	0.7842	-1.9508	-0.8519	-0.0795
k = 239	2.6797	-0.4895	-0.6262	-1.6803	1.1234	-0.0455
k = 240	1.9043	1.8449	-1.4301	-2.7422	2.0332	-0.4887

TABLE IX. The magnetic field $\{h_{n,k}^x\}$ and $\{h_{n,k}^y\}$ to realize the U_7 . We take the total time $T = 1.5$, $K = 150$, and thus the Trotter step $\tau = 1.5/150$.

U_7	$n = 1(x)$	$n = 2(x)$	$n = 1(y)$	$n = 2(y)$
k = 1	-0.3705	0.7404	-2.2725	1.9695
k = 2	-0.5166	0.9703	-2.9934	3.2378
k = 3	-0.8282	0.3253	-4.6689	5.5886
k = 4	-3.4511	-3.9501	-2.7337	4.6895
k = 5	-2.9346	-4.4916	1.2076	-0.2509
k = 6	-3.5153	-4.2509	2.1102	-0.6278
k = 7	-3.4764	-4.3856	3.2708	-2.4318
k = 8	-2.6649	-1.3968	0.2630	0.4391
k = 9	-2.7897	-3.3116	-0.1689	1.0473
k = 10	-0.7897	-1.2483	1.3966	-1.4109
k = 11	-1.6616	-0.5653	-0.2530	0.8250
k = 12	-1.1292	-0.9766	-1.5652	1.8094
k = 13	-0.2327	-1.8956	1.9170	-0.5119
k = 14	-3.4021	-5.2759	4.0633	-1.7587
k = 15	-1.4086	-1.9822	2.6256	-3.2874
k = 16	-0.3101	-0.2818	0.3869	-0.5278
k = 17	1.3966	-0.0107	1.4603	-2.0006
k = 18	1.1360	-1.4390	2.4943	-2.0590
k = 19	3.2508	-2.6842	7.1111	-7.3492
k = 20	1.3257	-3.2178	8.7344	-6.6072
k = 21	-2.0391	-5.4549	7.4119	-3.9485
k = 22	-1.7732	-3.4062	3.5163	-2.0535
k = 23	-0.5254	-3.0454	3.3596	-2.2090
k = 24	0.6132	-0.9206	2.2320	-2.0705
k = 25	-1.6152	-1.6894	1.7488	0.0244
k = 26	-0.9442	-1.3038	0.8608	0.1477
k = 27	-1.6180	-0.2858	-0.0325	0.5459
k = 28	-1.0272	0.8669	-2.0457	1.8836
k = 29	-1.0489	0.3155	-0.7703	1.8124
k = 30	-2.0362	-0.4560	-1.1062	2.5058
k = 31	-2.4666	-1.6563	0.6054	2.6600
k = 32	-3.9026	-3.8241	1.2868	2.7302
k = 33	-2.8106	-4.0288	3.2241	1.2640
k = 34	-5.6794	-4.6301	2.7589	3.2397
k = 35	-4.8464	-3.8464	1.5571	3.4497
k = 36	-3.5971	-4.1672	2.8036	2.4600
k = 37	-5.6358	-4.0537	3.0084	3.5910
k = 38	-6.1116	-1.6108	0.0659	5.0438
k = 39	-5.3117	-1.4443	-0.0498	4.9331
k = 40	-5.4632	-0.0593	-1.0744	5.0709
k = 41	-4.5327	0.4904	-1.3064	4.8061
k = 42	-5.2452	-0.2299	-0.0169	5.3880
k = 43	-5.0037	-0.0388	-1.1352	5.2533
k = 44	-2.4918	-1.7239	0.3843	2.2793
k = 45	0.8406	0.8001	-2.3733	-1.5682
k = 46	3.2918	1.2361	-1.2747	-2.7537
k = 47	2.3145	0.3350	0.7600	-1.4167
k = 48	-1.3139	-1.2846	2.0841	1.0473
k = 49	-1.6076	-0.3532	0.2067	1.1481
k = 50	-1.0486	1.0838	-1.4230	0.1070

U_7	$n = 1(x)$	$n = 2(x)$	$n = 1(y)$	$n = 2(y)$
k = 51	-0.6962	3.0570	-2.6846	0.1486
k = 52	-2.3608	4.4487	-3.4551	1.3807
k = 53	-4.3060	6.0901	-4.6075	3.9650
k = 54	-4.9172	3.7296	-2.5484	6.2037
k = 55	-4.4166	-1.2446	2.4751	6.3218
k = 56	-4.3375	-1.8877	2.9552	4.8968
k = 57	-3.4468	-1.3041	2.4319	4.3666
k = 58	-3.4155	-2.2296	4.1334	5.2853
k = 59	-2.9040	-3.3432	4.6732	4.3610
k = 60	-3.6194	-1.1292	1.9167	3.3156
k = 61	0.8508	-2.1299	-0.3451	-0.0529
k = 62	4.3167	-3.1878	0.1358	-3.6369
k = 63	5.3033	-2.5975	-1.5194	-5.1241
k = 64	7.3549	-3.6611	-1.9622	-7.2313
k = 65	6.6834	-2.7832	-3.7870	-7.5724
k = 66	8.4264	-4.0727	-6.1349	-9.5312
k = 67	8.0340	-4.0257	-5.5215	-8.4432
k = 68	7.5268	-4.6247	-3.8015	-5.4431
k = 69	5.9580	-3.9140	0.9138	-1.1790
k = 70	1.5367	-2.5099	2.2585	1.0650
k = 71	1.7482	-2.0359	-1.4135	-1.2691
k = 72	2.8366	-2.3218	-0.5019	-0.7011
k = 73	3.4355	-2.9426	0.1137	0.1309
k = 74	4.0421	-4.1018	1.7852	1.5238
k = 75	2.3729	-3.6382	0.3138	-0.0141
k = 76	3.1021	-4.4546	-3.2257	-3.4668
k = 77	2.6305	-3.4594	-5.2942	-5.1924
k = 78	2.4397	-2.5809	-6.0839	-5.7607
k = 79	4.0990	-4.6263	-4.6487	-3.4001
k = 80	3.6415	-4.3473	-4.7208	-4.0082
k = 81	2.8657	-3.4483	-3.3234	-2.5402
k = 82	2.3063	-4.2417	-3.8335	-2.6306
k = 83	2.6833	-4.9530	-6.5102	-4.6822
k = 84	2.5315	-3.5296	-3.3138	-2.8524
k = 85	0.1518	-2.8151	-4.4174	-3.8003
k = 86	-0.1966	-2.5503	-4.5648	-4.9089
k = 87	-2.0226	0.3361	-3.3995	-4.3808
k = 88	-1.5433	-0.4988	-2.7224	-3.2207
k = 89	-2.7775	0.1050	-3.1876	-3.9565
k = 90	-1.4475	-0.8277	-3.7126	-4.4386
k = 91	-2.3526	3.0629	0.0389	-2.7027
k = 92	-2.3910	2.9488	1.6977	0.4620
k = 93	-2.2472	-0.2066	-0.7622	-1.6189
k = 94	-4.2601	0.3724	-2.8594	-5.5259
k = 95	-4.9125	2.1216	-1.5749	-4.4102
k = 96	-4.8849	-0.7817	-5.0292	-6.0698
k = 97	-2.6004	-0.6992	-3.6189	-4.2148
k = 98	-2.6792	-1.3454	-3.8476	-4.5368
k = 99	-2.0830	-0.4759	-1.2520	-3.7175
k = 100	-6.7770	2.7766	-0.2464	-6.7678

U_7	$n = 1(x)$	$n = 2(x)$	$n = 1(y)$	$n = 2(y)$
k = 101	-4.7892	3.7055	0.7347	-4.9249
k = 102	-4.5129	6.3534	3.6925	-2.8425
k = 103	-1.6407	3.2257	1.9700	0.7434
k = 104	0.9135	0.1234	-0.3691	1.1464
k = 105	2.5218	2.4065	2.2181	2.4364
k = 106	4.2815	1.0633	2.1705	5.5850
k = 107	3.6486	-0.7873	-0.1190	4.2195
k = 108	6.1605	-0.9506	-0.1549	6.0285
k = 109	5.7685	-1.4181	-1.2901	6.1628
k = 110	8.0975	-1.9213	-2.2184	8.3573
k = 111	7.8093	-2.1697	-1.8491	7.0730
k = 112	4.9079	0.2941	0.1853	4.3080
k = 113	4.6151	2.0773	1.2474	3.6618
k = 114	4.3725	2.2511	1.0913	4.0540
k = 115	4.5689	2.1802	0.5624	4.9227
k = 116	3.3739	-0.6980	-1.6006	4.8958
k = 117	2.1912	-2.6106	-2.7291	3.5495
k = 118	-0.0854	-3.4488	-3.1774	1.6202
k = 119	-1.0148	-4.1647	-3.5637	1.0449
k = 120	-2.7083	-5.4887	-4.2491	-0.5109
k = 121	-2.0545	-3.3708	-3.3560	-1.0891
k = 122	1.0898	-1.2574	-2.6448	1.3658
k = 123	0.3544	-1.1689	-0.8077	0.7470
k = 124	0.4170	-0.1354	-0.6397	-0.1654
k = 125	1.5574	1.8262	0.8196	1.1471
k = 126	0.8886	-0.9301	-1.1602	1.5405
k = 127	0.3367	0.4575	1.6530	-0.7058
k = 128	-2.6321	-0.2643	0.9123	-2.7929
k = 129	1.6575	2.8506	0.3039	0.7397
k = 130	2.4741	1.1891	-1.1725	3.7775
k = 131	3.0558	-1.1682	-4.5637	5.8539
k = 132	3.9791	-1.7888	-5.8601	6.7845
k = 133	3.7700	-1.1576	-5.9619	6.6329
k = 134	6.9622	0.3871	-7.6182	8.2955
k = 135	8.6600	5.2974	-0.6722	3.5811
k = 136	8.7055	7.9043	0.2819	3.2822
k = 137	6.5844	6.2585	-0.0892	2.7289
k = 138	7.4712	6.8446	-0.3996	2.0159
k = 139	5.5326	4.7820	1.0219	0.9575
k = 140	2.9934	3.4390	0.8179	-0.5517
k = 141	4.7350	4.5505	0.2372	0.2679
k = 142	2.1326	2.8425	0.9935	0.3514
k = 143	-0.7069	0.5600	-2.1452	3.1298
k = 144	-2.1579	-1.2998	-5.2724	5.6212
k = 145	-1.9909	-2.0051	-5.4242	6.0145
k = 146	-2.4572	-2.8524	-4.1960	4.1915
k = 147	-2.5790	-2.0725	-2.9108	3.6713
k = 148	-2.4397	-2.6506	-3.0788	2.5832
k = 149	0.1206	-0.5779	-1.0792	0.9379
k = 150	-0.3263	-0.9031	0.6624	-0.7256

TABLE X. The magnetic field $\{h_{n,k}^x\}$ and $\{h_{n,k}^y\}$ to realize the U_8 . We take the total time $T = 2.4$, $K = 240$, and thus the Trotter step $\tau = 2.4/240$.

U_8	$n = 1(x)$	$n = 2(x)$	$n = 2(x)$	$n = 1(y)$	$n = 2(y)$	$n = 2(y)$
k = 1	-0.1964	-0.1354	0.5574	0.6408	-0.2138	0.4839
k = 2	0.0325	0.1663	1.4338	-0.4663	0.0921	0.0175
k = 3	0.3204	0.4952	-0.4223	0.2553	-0.1883	-3.0474
k = 4	-0.5582	-0.2317	-1.5425	-0.2554	-0.1940	0.5426
k = 5	0.1921	-0.1450	-1.8036	0.2723	0.0540	0.8655
k = 6	0.2638	-0.2091	1.2852	-0.4073	0.1310	1.4299
k = 7	-0.2484	0.0221	0.3596	0.2274	0.0892	-0.2893
k = 8	0.1629	-0.0354	0.5150	-0.1841	0.0817	0.9211
k = 9	-0.0216	0.1870	0.2506	0.5010	0.0485	-1.3520
k = 10	-0.0227	-0.2180	-0.5389	-0.5687	-0.1332	0.4494
k = 11	-0.2040	0.3911	0.7210	0.5023	0.0300	-0.4511
k = 12	0.3693	-0.1108	0.1412	-0.0882	0.0612	-0.1555
k = 13	-0.5216	-0.0128	-0.3378	-0.2964	-0.0649	-0.5057
k = 14	0.2654	-0.0604	-0.5419	-0.1881	0.0092	0.7802
k = 15	0.4437	0.0949	0.5684	0.5467	0.0218	-0.6062
k = 16	-0.5564	0.0211	-0.8301	-0.2757	-0.1025	-0.7989
k = 17	0.2193	-0.1076	-0.8206	0.1940	-0.0134	1.3782
k = 18	0.0885	-0.1952	0.5780	-0.0543	0.2780	1.1913
k = 19	-0.3347	0.0828	1.2417	-0.1789	-0.0460	-0.0229
k = 20	-0.0283	0.1247	0.9786	-0.0308	-0.0201	-0.9949
k = 21	0.5402	0.1170	-1.1264	-0.0868	0.1216	-0.8418
k = 22	-0.1314	-0.2807	-1.0437	0.1700	-0.1198	0.2278
k = 23	-0.3174	0.3247	0.6763	0.1612	0.0016	0.5266
k = 24	0.2336	-0.0874	0.4514	-0.0431	0.1657	-0.0174
k = 25	0.0631	-0.3358	-0.9528	-0.5447	-0.2279	-0.4011
k = 26	-0.0350	0.1208	-0.2412	0.5940	0.3036	1.2169
k = 27	-0.3285	0.1971	1.6296	-0.2669	-0.1390	-0.1696
k = 28	0.1518	0.1882	-0.0392	0.2904	-0.2453	-0.8207
k = 29	0.5037	-0.2744	0.0314	-0.1582	0.4945	-0.6429
k = 30	-0.6081	0.0815	-1.2773	-0.2481	-0.2017	0.6642
k = 31	0.3393	-0.1732	0.7116	0.1987	0.0977	-0.5622
k = 32	-0.1870	0.1414	-0.6511	-0.1451	-0.2327	0.8980
k = 33	0.0537	-0.0777	0.0351	0.3840	0.0198	0.1905
k = 34	0.1647	0.1165	1.1805	-0.5742	0.5805	-0.4713
k = 35	-0.2511	0.0168	-0.5271	0.3519	-0.4875	0.1119
k = 36	0.8786	-0.6140	-1.1511	-0.7078	0.8011	0.5482
k = 37	-0.9812	0.2112	0.9722	0.0686	-0.3376	0.4277
k = 38	1.0396	-0.1245	0.5370	-0.6912	0.9813	-0.1468
k = 39	0.5140	-0.8973	-0.8012	-1.0086	0.8259	0.1653
k = 40	0.3033	0.1072	0.6715	-0.1332	0.3591	0.0230
k = 41	0.5960	-0.7849	-0.7219	-1.1298	1.1688	0.1402
k = 42	0.3368	-0.1364	0.1101	-0.3024	0.1865	0.2353
k = 43	0.1361	0.1091	-0.0198	1.1228	-0.6426	-0.0149
k = 44	-1.8033	1.8536	-0.0315	3.1250	-2.6197	-0.1099
k = 45	-2.6431	2.1817	1.4988	3.8498	-3.9005	0.3544
k = 46	-2.0327	1.7509	2.2129	2.5856	-2.4917	-0.1871
k = 47	-1.5091	1.2848	-0.2959	2.2291	-2.5231	-2.4802
k = 48	-1.0721	1.0609	-1.3103	1.9584	-1.7951	0.7090
k = 49	-1.2240	1.3430	0.4776	1.9440	-1.9524	-0.0108
k = 50	-1.1674	1.1199	-0.9466	1.8040	-1.8550	0.7833

U_8	$n = 1(x)$	$n = 2(x)$	$n = 3(x)$	$n = 1(y)$	$n = 2(y)$	$n = 3(y)$
k = 51	-0.7311	0.9778	-2.1063	1.5264	-1.5150	1.4853
k = 52	-1.0637	0.9191	-2.4300	1.3508	-1.5941	2.5860
k = 53	-0.9906	1.8992	-5.4433	2.4631	-2.3271	4.7369
k = 54	-1.4883	1.3989	-4.7217	1.7757	-2.1774	5.8143
k = 55	-0.5910	1.2083	-3.6907	1.0375	-1.1325	6.6304
k = 56	-0.3842	0.4904	-2.0815	0.6741	-1.0001	7.0988
k = 57	-0.1251	0.2545	-1.0689	0.4593	0.0651	3.6885
k = 58	-0.5690	-0.2179	1.9134	0.2145	-0.7588	3.5111
k = 59	0.4715	0.1042	2.5138	-0.7808	1.0638	-1.5959
k = 60	0.5783	-0.2713	0.6394	-0.2482	0.8796	-1.9223
k = 61	0.7956	0.4721	0.4588	-0.1527	0.8349	-6.0286
k = 62	-0.5042	0.1328	-3.0321	0.0877	0.0036	-7.9777
k = 63	0.1165	0.0181	-5.6363	-0.2908	0.0812	-9.6478
k = 64	0.1349	-1.6608	-6.7784	-0.8701	0.1040	-10.3526
k = 65	-0.7041	-0.6958	-7.6261	0.2663	-1.1033	-9.2226
k = 66	-0.6291	-1.2602	-7.0101	-0.5122	-0.3721	-8.6933
k = 67	0.3520	-1.4950	-4.8012	-1.5767	0.5068	-4.4460
k = 68	0.4280	-0.4953	-4.2930	-0.0500	0.5479	-3.3755
k = 69	-0.1631	-0.6049	-1.5382	-1.1061	0.3867	-2.8850
k = 70	0.8206	-0.3541	0.5777	-0.5207	0.8316	-0.4166
k = 71	-0.1184	0.6151	1.2548	1.5843	-1.3653	-0.4301
k = 72	-1.9919	2.3652	2.9784	7.1491	-6.9846	0.0608
k = 73	-7.0820	5.1630	3.4279	16.0150	-15.9127	1.3160
k = 74	-6.6565	0.5252	3.1987	15.2162	-15.8241	2.1979
k = 75	-3.3504	-1.4321	2.1520	6.8679	-7.2427	2.5237
k = 76	-0.7482	-0.2651	1.6247	2.8339	-3.3199	1.4753
k = 77	-1.0538	-0.5175	1.6959	0.0844	0.3353	2.0002
k = 78	0.0962	0.5142	-0.4794	-0.6929	0.3270	1.4591
k = 79	-0.1925	-0.6172	-1.0276	-1.0647	1.1199	0.1430
k = 80	-0.1831	-0.5107	-1.2810	-0.2180	0.5797	0.3674
k = 81	0.0214	-0.6741	-0.9685	0.3544	-0.7733	-0.0519
k = 82	-0.4771	-0.2143	-0.4271	-0.2990	0.5649	-0.5018
k = 83	-0.4417	-0.8338	-0.3423	-0.5530	0.6195	-1.3563
k = 84	-0.8453	-1.5374	-2.7623	0.3722	-0.2228	-2.0843
k = 85	-0.9017	-0.7556	-0.6520	-0.3409	0.2808	-0.7631
k = 86	-0.5179	-1.1492	-2.1173	0.5594	-0.3712	-0.4393
k = 87	-0.9058	-0.7012	-1.3507	-0.7211	0.3013	-0.7321
k = 88	-0.2074	-0.5945	0.2821	0.7615	-0.3271	1.0586
k = 89	-0.5055	-0.3316	-0.8676	-1.1187	0.5471	0.1336
k = 90	-0.3736	-0.7780	1.4085	0.6205	0.0304	-1.2241
k = 91	-1.0850	-0.6578	0.0013	-0.7407	0.7223	0.0146
k = 92	0.1581	-0.5176	-0.0295	0.2586	-0.4259	1.0154
k = 93	-0.1642	-0.0656	-0.0866	-0.6472	0.3461	-0.0473
k = 94	-1.2593	-1.2674	1.0027	0.3073	0.5370	-0.0727
k = 95	-0.4867	-0.5756	-0.4564	-0.5982	0.1068	0.1257
k = 96	-0.3506	-0.3758	0.9898	-0.4554	0.4837	0.4646
k = 97	-0.0788	-0.2635	0.0172	-0.2535	0.2450	-0.8244
k = 98	-0.6792	-0.9901	-0.2986	0.2838	-0.2235	0.3856
k = 99	-1.3551	-0.8937	0.7042	-0.1247	0.4579	0.8973
k = 100	-0.9827	-1.0704	-0.0312	-0.4293	0.2858	-0.5039

U_8	$n = 1(x)$	$n = 2(x)$	$n = 3(x)$	$n = 1(y)$	$n = 2(y)$	$n = 3(y)$
k = 101	0.5999	0.3717	0.1938	-0.6864	0.2490	-0.1972
k = 102	-0.9259	-0.8905	-0.3828	0.1348	-0.0080	0.4886
k = 103	-0.5460	-0.8173	0.7303	0.3933	0.1030	0.2454
k = 104	-1.4416	-0.8336	0.4176	-0.9764	0.4933	0.0653
k = 105	-0.7658	-0.9364	0.3241	0.0540	0.3319	0.0873
k = 106	-0.9889	-1.0460	0.0772	-0.2409	-0.2708	1.3143
k = 107	-0.7426	-0.6130	0.1028	-0.1694	0.4821	-0.3219
k = 108	-1.1930	-0.6777	0.8422	-0.7166	0.6172	-0.5327
k = 109	-0.0284	-0.4452	-0.2181	-0.1336	-0.2171	0.7155
k = 110	-0.2947	-0.6331	1.1749	-0.0577	0.2572	0.6631
k = 111	-1.7367	-0.9663	-0.3477	-0.0495	0.1792	0.2495
k = 112	-0.3550	-0.5432	-0.3191	-0.2828	0.0239	0.0659
k = 113	0.1323	-0.0674	0.8956	-0.1006	0.0835	-0.0578
k = 114	-1.1334	-0.7905	0.1192	-0.3892	0.1018	0.5495
k = 115	0.0271	-0.3539	0.4268	-0.1725	0.4617	0.1696
k = 116	-0.9667	-0.6755	0.6605	0.4656	0.1016	-0.0007
k = 117	-1.1017	-0.7523	0.1699	-1.0379	0.2326	0.5616
k = 118	0.1223	-0.4286	0.2210	0.1881	-0.2439	0.6148
k = 119	-0.6911	-0.8879	-0.0559	0.0169	0.1048	0.6509
k = 120	-0.8344	-0.3886	1.2054	-0.4237	0.3060	-0.1652
k = 121	-0.5687	-0.3572	0.2695	0.1343	0.6151	0.1742
k = 122	-0.7081	-1.2850	0.3022	-0.4573	-0.4885	1.2187
k = 123	-0.4091	-0.1759	0.2070	-0.0596	0.5103	-0.4166
k = 124	-0.4558	-0.7478	1.6001	-0.6028	0.2627	0.7634
k = 125	-1.9135	-1.7277	0.3185	0.2386	0.2163	0.9829
k = 126	-1.1097	-1.2523	1.8652	-0.2004	1.1460	0.8982
k = 127	-1.2415	-1.4360	0.6540	-0.9242	-0.4895	1.1963
k = 128	-0.9763	-1.0913	0.6183	0.2892	0.8726	0.5730
k = 129	-1.3506	-1.2241	1.2944	-0.5118	0.3000	0.5238
k = 130	-0.6151	-0.1769	0.3785	-0.4223	0.3402	-0.0594
k = 131	-0.2085	-1.5305	1.2769	-0.2132	0.4208	1.3819
k = 132	-1.2348	-0.2479	-0.1384	-0.2679	0.1398	-0.2308
k = 133	0.6713	-0.2118	0.0364	-0.2022	0.0522	0.3637
k = 134	0.2649	0.7970	-0.4923	0.2253	-0.3484	-0.7677
k = 135	-0.1413	-0.0703	-0.5254	0.2639	0.0603	0.3231
k = 136	1.9253	1.6938	-2.1500	-0.4613	-0.9702	-0.8591
k = 137	1.2187	3.0688	-3.9961	0.6808	-1.3318	-2.1833
k = 138	1.5585	4.1890	-3.5964	0.6567	-0.9685	-3.6671
k = 139	2.3958	5.6644	-5.3761	-0.0726	-1.9083	-4.3228
k = 140	2.3321	3.8809	-4.5931	0.7093	-1.6187	-2.9000
k = 141	1.7162	3.0762	-2.2110	0.4195	-0.3973	-2.7611
k = 142	-0.0533	1.2424	0.0117	0.6362	0.2848	-0.9376
k = 143	0.6783	-0.0695	-1.3392	0.1377	-0.9110	0.9659
k = 144	1.8556	1.3655	-0.0583	-0.2193	0.0119	-1.3316
k = 145	-0.1389	0.2034	-0.4443	0.7072	-0.4674	0.2075
k = 146	-0.6448	0.0485	-0.2546	0.9508	0.1905	0.3814
k = 147	-0.1006	0.7786	-0.1458	-1.0812	-0.2947	-0.9609
k = 148	1.0941	0.8135	-0.6102	-0.2893	-0.0791	-0.2085
k = 149	1.0776	0.4587	-0.4455	0.6296	-0.6592	0.2495
k = 150	-0.5677	0.5472	-1.3809	0.2236	-0.5103	-0.4347

U_8	$n = 1(x)$	$n = 2(x)$	$n = 3(x)$	$n = 1(y)$	$n = 2(y)$	$n = 3(y)$
k = 151	0.0808	0.9299	0.5641	0.0420	0.5412	-0.9917
k = 152	0.2886	0.4480	-0.0449	-0.0209	0.0806	-0.0808
k = 153	1.1902	0.5130	-0.8305	0.2831	-0.4322	-0.1359
k = 154	0.0006	0.7637	-0.3311	0.3710	-0.2660	-0.4119
k = 155	-0.6007	0.2732	-0.4268	0.3711	0.0529	-0.2235
k = 156	-0.8136	1.1444	-0.1257	-0.1407	0.0181	-0.7677
k = 157	1.1652	0.1600	-0.4883	0.2076	-0.0431	0.0738
k = 158	0.6901	0.9426	0.0875	-0.2615	0.3173	-1.1120
k = 159	0.0000	0.7136	-0.4886	1.4184	-0.2580	-0.1210
k = 160	-0.8596	0.5533	-0.1060	0.6797	0.3606	-0.4388
k = 161	-0.3290	0.6230	-0.6720	0.0027	-0.3703	-0.3476
k = 162	-1.5564	0.3922	0.1570	-0.1427	-0.1157	0.2959
k = 163	-1.5071	0.7322	-1.4326	-0.8739	-1.1021	-0.1858
k = 164	-1.0073	0.7132	-0.0393	-1.8938	-0.0492	-0.0282
k = 165	0.5871	0.1671	-1.5185	-2.3846	-2.0053	0.6368
k = 166	0.1891	0.4758	-0.0196	-0.6986	0.2166	-0.2719
k = 167	-1.6092	0.6076	-0.1446	-0.1298	0.0383	-0.1427
k = 168	2.1238	0.6298	-0.5776	-1.0459	-0.4903	-0.2178
k = 169	-0.6290	0.5335	-0.4162	-1.9514	-0.3071	-0.6607
k = 170	1.1547	0.4893	0.7192	-0.5962	0.6936	0.0374
k = 171	1.3334	0.0350	-0.7454	-0.4764	-0.3665	-0.2960
k = 172	1.7970	0.2582	0.7535	1.6309	0.7862	-0.4704
k = 173	1.9576	0.4952	-0.0917	2.4415	0.3863	-0.2556
k = 174	1.0101	0.4759	0.0569	1.6056	0.2476	-0.7091
k = 175	-0.5659	0.2880	-0.0818	3.3892	0.1786	-0.0445
k = 176	-0.1824	0.4317	-0.0492	2.3736	0.1950	-0.4587
k = 177	-1.9000	0.7658	0.1341	1.6147	-0.1111	-0.2100
k = 178	1.6808	0.0389	-0.5010	3.2364	-0.6480	0.6709
k = 179	-2.0566	0.0888	-1.3876	5.3780	-2.0226	0.9703
k = 180	-3.3874	-0.0912	-0.8260	2.2689	-1.1152	0.7573
k = 181	-1.7896	0.7218	-0.0429	2.5596	-0.2454	-0.0495
k = 182	-2.8611	-0.0722	-1.1346	2.3330	-1.8792	0.9679
k = 183	-3.0475	-0.1827	-0.3563	5.0140	-0.3165	0.2725
k = 184	-4.5952	0.2317	0.1371	2.0947	-0.0584	-0.0803
k = 185	-4.7295	-0.1828	-0.4253	1.8775	0.0370	0.0672
k = 186	-5.5162	0.7354	1.1998	2.0912	1.9759	-1.9224
k = 187	-6.8597	0.4436	1.5111	1.7517	2.4582	-1.3352
k = 188	-5.2603	0.1783	0.5230	-0.5840	1.4685	-1.1877
k = 189	-3.0551	0.7883	1.3483	-1.3330	2.8078	-2.3773
k = 190	-3.1749	0.9857	2.0128	-0.0054	2.8244	-2.2644
k = 191	-2.1840	0.6814	1.2896	1.5566	2.9816	-2.4679
k = 192	-1.6495	1.1208	1.7077	-0.3147	3.0000	-2.8896
k = 193	0.0116	1.0460	2.0517	-0.2028	3.5869	-3.1703
k = 194	-0.2020	1.4319	2.3433	2.1483	3.9288	-3.6277
k = 195	1.3310	0.9638	1.7484	-0.0362	2.3952	-2.3371
k = 196	-1.6379	0.1365	0.2820	0.7715	0.9662	-0.8434
k = 197	-0.7191	0.5750	1.3295	-0.0243	1.2183	-0.9866
k = 198	-0.2917	-0.2237	-0.6067	-0.1481	-0.7580	0.4400
k = 199	0.0729	-0.4015	0.0249	1.6642	0.2433	0.3855
k = 200	0.3200	0.4265	-0.0227	-1.1348	-0.4394	-0.2376

U_8	$n = 1(x)$	$n = 2(x)$	$n = 3(x)$	$n = 1(y)$	$n = 2(y)$	$n = 3(y)$
k = 201	0.1851	-0.3027	-0.2313	-0.6224	-0.2308	0.4237
k = 202	0.3373	-0.1564	-0.1595	0.4800	-0.4786	0.4838
k = 203	-0.4025	-0.1951	-0.2184	0.1315	-0.1005	0.2085
k = 204	0.1924	0.1927	-0.0123	-0.2683	-0.0073	-0.2202
k = 205	-0.6061	-0.0088	-0.0667	-0.4358	0.0909	-0.1600
k = 206	0.8832	0.0074	0.4528	-0.1001	0.0337	0.1368
k = 207	-0.5419	-0.1157	-0.1850	0.8787	0.0395	0.0856
k = 208	0.9253	-0.0057	-0.2678	-0.8395	-0.3350	0.0817
k = 209	-0.7681	-0.0309	-0.1522	0.4588	0.0056	-0.0884
k = 210	-0.4833	0.2350	0.8427	-0.4831	0.5107	-0.1172
k = 211	0.3878	-0.3619	-0.7889	0.4298	-0.5002	0.2327
k = 212	0.2069	0.1264	-0.0369	-0.5119	-0.1667	0.0731
k = 213	0.4192	0.0896	0.4234	0.2875	0.4526	-0.3377
k = 214	-0.0419	-0.2486	0.0016	-0.3356	-0.2956	0.3255
k = 215	-0.2345	0.4118	-0.1152	0.3200	0.1094	-0.1331
k = 216	-0.2525	-0.5582	-0.6480	0.2351	-0.3046	0.1731
k = 217	0.1157	0.4294	1.0737	-0.4754	0.5241	-0.3761
k = 218	0.3751	-0.1244	-0.3250	0.5557	-0.2961	0.1505
k = 219	-0.4375	-0.1699	-0.5155	-0.2671	-0.0523	0.5630
k = 220	0.2453	0.1453	0.5209	0.2550	0.0524	-0.7839
k = 221	-0.8965	0.0126	-0.2346	-0.4932	0.1844	0.4766
k = 222	1.1723	-0.1134	0.1486	-0.2059	-0.3770	-0.3529
k = 223	-0.0232	-0.0024	-0.0564	-0.3911	0.1393	0.4904
k = 224	-0.2515	0.0746	-0.2600	1.2237	0.0294	-0.4737
k = 225	0.1753	0.0320	0.4737	-0.5426	-0.0340	0.1718
k = 226	-0.4739	-0.1096	-0.3549	0.3637	0.1009	-0.0440
k = 227	-0.2347	-0.1328	0.3732	-0.0695	0.0483	0.3735
k = 228	0.3886	0.2770	-0.3323	-0.8629	-0.1518	-0.4218
k = 229	0.4751	-0.1249	-0.3121	1.0229	-0.0448	0.1137
k = 230	-0.4849	-0.1256	0.8595	-1.0858	0.0350	0.0294
k = 231	0.4678	0.1733	-0.8908	0.5089	-0.0645	-0.2047
k = 232	-0.5673	-0.1521	0.9013	0.3118	0.1152	0.2747
k = 233	0.0965	-0.0123	-0.5516	-0.3942	0.0034	0.1099
k = 234	0.1571	0.2348	-0.4072	0.6478	0.0619	-0.2829
k = 235	0.0818	-0.2755	0.9426	-0.7527	-0.2879	-0.1061
k = 236	-0.2254	0.0503	-0.4772	0.2242	0.2594	0.4254
k = 237	0.3674	0.0689	-0.0217	-0.1411	-0.1638	-0.3212
k = 238	-0.5263	-0.0650	-0.0960	0.3284	0.1430	0.0386
k = 239	0.3836	0.0012	0.3485	-0.3412	-0.1537	0.1364
k = 240	-0.5613	-0.1712	-0.2343	0.1277	0.1728	-0.2248

ACKNOWLEDGMENT

This work is supported by NSFC (Grants No. 12004266, No. 11834014, No. 12075159, and No. 12171044),

Beijing Natural Science Foundation (Grant No. Z190005), Foundation of Beijing Education Committees (Grant No. KM202010028013), the key research project of Academy for Multidisciplinary Studies, Capital Normal University, and the Academician Innovation Platform of Hainan Province.

-
- [1] Alexander S Green, Peter LeFanu Lumsdaine, Neil J Ross, Peter Selinger, and Benoît Valiron, “Quipper: a scalable quantum programming language,” in *Proceedings of the 34th ACM SIGPLAN conference on Programming language design and implementation* (2013) pp. 333–342.
- [2] Dave Wecker and Krysta M Svore, “Liqui|>: A software design architecture and domain-specific language for quantum computing,” (2014), [arXiv:1402.4467](https://arxiv.org/abs/1402.4467).
- [3] Ali JavadiAbhari, Shruti Patil, Daniel Kudrow, Jeff Heckey, Alexey Lvov, Frederic T Chong, and Margaret Martonosi, “Scaffcc: Scalable compilation and analysis of quantum programs,” *Parallel Computing* **45**, 2–17 (2015).
- [4] Frederic T Chong, Diana Franklin, and Margaret Martonosi, “Programming languages and compiler design for realistic quantum hardware,” *Nature* **549**, 180–187 (2017).
- [5] Thomas Häner, Damian S Steiger, Krysta Svore, and Matthias Troyer, “A software methodology for compiling quantum programs,” *Quantum Science and Technology* **3**, 020501 (2018).
- [6] Xiang Fu, Michiel Adriaan Rol, Cornelis Christiaan Bultink, J Van Someren, Nader Khammassi, Imran Ashraf, RFL Vermeulen, JC De Sterke, WJ Vlothuizen, RN Schouten, *et al.*, “An experimental microarchitecture for a superconducting quantum processor,” in *Proceedings of the 50th Annual IEEE/ACM International Symposium on Microarchitecture* (2017) pp. 813–825.
- [7] Jeremy L O’Brien, Akira Furusawa, and Jelena Vučković, “Photonic quantum technologies,” *Nature Photonics* **3**, 687–695 (2009).
- [8] Alán Aspuru-Guzik and Philip Walther, “Photonic quantum simulators,” *Nature physics* **8**, 285–291 (2012).
- [9] Philip Krantz, Morten Kjaergaard, Fei Yan, Terry P Orlando, Simon Gustavsson, and William D Oliver, “A quantum engineer’s guide to superconducting qubits,” *Applied physics reviews* **6**, 021318 (2019).
- [10] David C. McKay, Stefan Filipp, Antonio Mezzacapo, Easwar Magesan, Jerry M. Chow, and Jay M. Gambetta, “Universal gate for fixed-frequency qubits via a tunable bus,” *Phys. Rev. Appl.* **6**, 064007 (2016).
- [11] Jerry M. Chow, A. D. Córcoles, Jay M. Gambetta, Chad Rigetti, B. R. Johnson, John A. Smolin, J. R. Rozen, George A. Keefe, Mary B. Rothwell, Mark B. Ketchen, and M. Steffen, “Simple all-microwave entangling gate for fixed-frequency superconducting qubits,” *Phys. Rev. Lett.* **107**, 080502 (2011).
- [12] Matthew Reagor, Christopher B Osborn, Nikolas Tezak, Alexa Staley, Guenevere Prawiroatmodjo, Michael Scheer, Nasser Alidoust, Eyob A Sete, Nicolas Didier, Marcus P da Silva, *et al.*, “Demonstration of universal parametric entangling gates on a multi-qubit lattice,” *Science Advances* **4**, eaao3603 (2018).
- [13] David G. Cory, Mark D. Price, and Timothy F. Havel, “Nuclear magnetic resonance spectroscopy: An experimentally accessible paradigm for quantum computing,” *Physica D: Nonlinear Phenomena* **120**, 82–101 (1998), proceedings of the Fourth Workshop on Physics and Consumption.
- [14] Jonathan A Jones, RH Hansen, and Michael Mosca, “Quantum logic gates and nuclear magnetic resonance pulse sequences,” *Journal of Magnetic Resonance* **135**, 353–360 (1998).
- [15] Jonathan A Jones and Michele Mosca, “Implementation of a quantum algorithm on a nuclear magnetic resonance quantum computer,” *The Journal of chemical physics* **109**, 1648–1653 (1998).
- [16] Lieven MK Vandersypen, Matthias Steffen, Gregory Breyta, Costantino S Yannoni, Mark H Sherwood, and Isaac L Chuang, “Experimental realization of shor’s quantum factoring algorithm using nuclear magnetic resonance,” *Nature* **414**, 883–887 (2001).
- [17] L. M. K. Vandersypen and I. L. Chuang, “Nmr techniques for quantum control and computation,” *Rev. Mod. Phys.* **76**, 1037–1069 (2005).
- [18] Ji Bian, Min Jiang, Jiangyu Cui, Xiaomei Liu, Botao Chen, Yunlan Ji, Bo Zhang, John Blanchard, Xinhua Peng, and Jiangfeng Du, “Universal quantum control in zero-field nuclear magnetic resonance,” *Phys. Rev. A* **95**, 052342 (2017).
- [19] Isaac L. Chuang, Neil Gershenfeld, and Mark Kubinec, “Experimental implementation of fast quantum searching,” *Phys. Rev. Lett.* **80**, 3408–3411 (1998).
- [20] Jonathan A Jones, “Fast searches with nuclear magnetic resonance computers,” *Science* **280**, 229–229 (1998).
- [21] Jingfu Zhang, Zhiheng Lu, Lu Shan, and Zhiwei Deng, “Realization of generalized quantum searching using nuclear magnetic resonance,” *Phys. Rev. A* **65**, 034301 (2002).
- [22] Peter W. Shor, “Polynomial-time algorithms for prime factorization and discrete logarithms on a quantum computer,” *SIAM Review* **41**, 303–332 (1999), <https://doi.org/10.1137/S0036144598347011>.
- [23] Aram W. Harrow, Avinatan Hassidim, and Seth Lloyd, “Quantum algorithm for linear systems of equations,” *Phys. Rev. Lett.* **103**, 150502 (2009).
- [24] Navin Khaneja, Roger Brockett, and Steffen J. Glaser, “Time optimal control in spin systems,” *Phys. Rev. A* **63**, 032308 (2001).
- [25] Bin Li, ZuHuan Yu, ShaoMing Fei, and XianQing Li-Jost, “Time optimal quantum control of two-qubit systems,” *Science China Physics, Mechanics and Astronomy* **56**, 2116–2121 (2013).
- [26] Bao-Zhi Sun, Shao-Ming Fei, Naihuan Jing, and Xianqing Li-Jost, “Time optimal control based on classification of quantum gates,” *Quantum Information Processing* **19**, 1–12 (2020).
- [27] K. G. Kim and M. D. Girardeau, “Optimal control of strongly driven quantum systems: Fully variational formulation and nonlinear eigenfields,” *Phys. Rev. A* **52**, R891–R894 (1995).
- [28] Nelson Leung, Mohamed Abdelhafez, Jens Koch, and David Schuster, “Speedup for quantum optimal control from automatic differentiation based on graphics processing units,” *Phys. Rev. A* **95**, 042318 (2017).
- [29] Zhi-Cheng Yang, Armin Rahmani, Alireza Shabani, Hartmut Neven, and Claudio Chamon, “Optimizing variational quantum algorithms using pontryagin’s minimum principle,” *Phys. Rev. X* **7**, 021027 (2017).

- [30] Vasco Cavina, Andrea Mari, Alberto Carlini, and Vittorio Giovannetti, “Variational approach to the optimal control of coherently driven, open quantum system dynamics,” *Phys. Rev. A* **98**, 052125 (2018).
- [31] Re-Bing Wu, Xi Cao, Pinchen Xie, and Yu-xi Liu, “End-to-end quantum machine learning implemented with controlled quantum dynamics,” *Physical Review Applied* **14**, 064020 (2020).
- [32] Alexandre Choquette, Agustin Di Paolo, Panagiotis Kl. Barkoutsos, David Sénéchal, Ivano Tavernelli, and Alexandre Blais, “Quantum-optimal-control-inspired ansatz for variational quantum algorithms,” *Phys. Rev. Research* **3**, 023092 (2021).
- [33] Alicia B. Magann, Christian Arenz, Matthew D. Grace, Tak-San Ho, Robert L. Kosut, Jarrod R. McClean, Herschel A. Rabitz, and Mohan Sarovar, “From pulses to circuits and back again: A quantum optimal control perspective on variational quantum algorithms,” *PRX Quantum* **2**, 010101 (2021).
- [34] Davide Castaldo, Marta Rosa, and Stefano Corni, “Quantum optimal control with quantum computers: A hybrid algorithm featuring machine learning optimization,” *Phys. Rev. A* **103**, 022613 (2021).
- [35] Zheng An, Hai-Jing Song, Qi-Kai He, and D. L. Zhou, “Quantum optimal control of multilevel dissipative quantum systems with reinforcement learning,” *Phys. Rev. A* **103**, 012404 (2021).
- [36] Ying Lu, Yue-Min Li, Peng-Fei Zhou, and Shi-Ju Ran, “Preparation of many-body ground states by time evolution with variational microscopic magnetic fields and incomplete interactions,” *Physical Review A* **104**, 052413 (2021).
- [37] Iliia Khait, Juan Carrasquilla, and Dvira Segal, “Optimal control of quantum thermal machines using machine learning,” *Phys. Rev. Research* **4**, L012029 (2022).
- [38] Gavin K. Brennen and Akimasa Miyake, “Measurement-based quantum computer in the gapped ground state of a two-body hamiltonian,” *Phys. Rev. Lett.* **101**, 010502 (2008).
- [39] S.C. Benjamin, B.W. Lovett, and J.M. Smith, “Prospects for measurement-based quantum computing with solid state spins,” *Laser & Photonics Reviews* **3**, 556–574 (2009).
- [40] Dominic V. Else, Ilai Schwarz, Stephen D. Bartlett, and Andrew C. Doherty, “Symmetry-protected phases for measurement-based quantum computation,” *Phys. Rev. Lett.* **108**, 240505 (2012).
- [41] Keisuke Fujii and Tomoyuki Morimae, “Topologically protected measurement-based quantum computation on the thermal state of a nearest-neighbor two-body hamiltonian with spin-3/2 particles,” *Phys. Rev. A* **85**, 010304 (2012).
- [42] Andrew S Darmawan, Gavin K Brennen, and Stephen D Bartlett, “Measurement-based quantum computation in a two-dimensional phase of matter,” *New Journal of Physics* **14**, 013023 (2012).
- [43] Tzu-Chieh Wei and Robert Raussendorf, “Universal measurement-based quantum computation with spin-2 affleck-kennedy-lieb-tasaki states,” *Phys. Rev. A* **92**, 012310 (2015).
- [44] Tzu-Chieh Wei and Ching-Yu Huang, “Universal measurement-based quantum computation in two-dimensional symmetry-protected topological phases,” *Phys. Rev. A* **96**, 032317 (2017).
- [45] G. Passarelli, R. Fazio, and P. Lucignano, “Optimal quantum annealing: A variational shortcut-to-adiabaticity approach,” *Phys. Rev. A* **105**, 022618 (2022).
- [46] Jiaqi Leng, Yuxiang Peng, Yi-Ling Qiao, Ming Lin, and Xiaodi Wu, “Differentiable Analog Quantum Computing for Optimization and Control,” (2022), arXiv:2210.15812.
- [47] Tangyou Huang, Yongcheng Ding, Léonce Dupays, Yue Ban, Man-Hong Yung, Adolfo del Campo, and Xi Chen, “Time-Optimal Quantum Driving by Variational Circuit Learning,” (2022), arXiv:2211.00405 [quant-ph].
- [48] Daniel A Lidar and Todd A Brun, *Quantum error correction* (Cambridge university press, New York, 2013).
- [49] A. R. Calderbank and Peter W. Shor, “Good quantum error-correcting codes exist,” *Phys. Rev. A* **54**, 1098–1105 (1996).
- [50] A.M. Steane, “Quantum reed-muller codes,” *IEEE Transactions on Information Theory* **45**, 1701–1703 (1999).
- [51] A.Yu. Kitaev, “Fault-tolerant quantum computation by anyons,” *Annals of Physics* **303**, 2–30 (2003).
- [52] Peter W. Shor, “Scheme for reducing decoherence in quantum computer memory,” *Phys. Rev. A* **52**, R2493–R2496 (1995).
- [53] I. L. Chuang, R. Laflamme, P. W. Shor, and W. H. Zurek, “Quantum computers, factoring, and decoherence,” *Science* **270**, 1633–1635 (1995).
- [54] Lu-Ming Duan and Guang-Can Guo, “Reducing decoherence in quantum-computer memory with all quantum bits coupling to the same environment,” *Phys. Rev. A* **57**, 737–741 (1998).
- [55] Almut Beige, Daniel Braun, Ben Tregenna, and Peter L. Knight, “Quantum computing using dissipation to remain in a decoherence-free subspace,” *Phys. Rev. Lett.* **85**, 1762–1765 (2000).
- [56] John Preskill, “Quantum computing in the NISQ era and beyond,” *Quantum* **2**, 79 (2018).
- [57] Artur Ekert and Richard Jozsa, “Quantum computation and shor’s factoring algorithm,” *Rev. Mod. Phys.* **68**, 733–753 (1996).
- [58] Richard Jozsa, “Quantum algorithms and the fourier transform,” *Proceedings of the Royal Society of London. Series A: Mathematical, Physical and Engineering Sciences* **454**, 323–337 (1998).
- [59] Y. S. Weinstein, M. A. Pravia, E. M. Fortunato, S. Lloyd, and D. G. Cory, “Implementation of the quantum fourier transform,” *Phys. Rev. Lett.* **86**, 1889–1891 (2001).
- [60] Murphy Yuezhen Niu, Sergio Boixo, Vadim N. Smelyanskiy, and Hartmut Neven, “Universal quantum control through deep reinforcement learning,” **5**, 33.
- [61] Yuval Baum, Mirko Amico, Sean Howell, Michael Hush, Maggie Liuzzi, Pranav Mundada, Thomas Merkh, Andre R.R. Carvalho, and Michael J. Biercuk, “Experimental deep reinforcement learning for error-robust gate-set design on a superconducting quantum computer,” *PRX Quantum* **2**, 040324 (2021).
- [62] Hale F Trotter, “On the product of semi-groups of operators,” *Proceedings of the American Mathematical Society* **10**, 545–551 (1959).
- [63] Masuo Suzuki, “Generalized trotter’s formula and systematic approximants of exponential operators and inner derivations with applications to many-body problems,” *Communications in Mathematical Physics* **51**, 183–190 (1976).
- [64] See the official website of Pytorch at <https://pytorch.org/>.
- [65] Diederik P. Kingma and Jimmy Ba, “Adam: A method for stochastic optimization,” in *3rd International Conference on Learning Representations, ICLR 2015, San Diego, CA, USA, May 7-9, 2015, Conference Track Proceedings*, edited by Yoshua Bengio and Yann LeCun (2015).
- [66] P.W. Shor, “Algorithms for quantum computation: discrete logarithms and factoring,” in *Proceedings 35th Annual Symposium on Foundations of Computer Science* (1994) pp. 124–134.
- [67] Lov K. Grover, “Quantum mechanics helps in searching for a needle in a haystack,” *Phys. Rev. Lett.* **79**, 325–328 (1997).
- [68] See the Supplemental Material at [the url provided by the publisher].
- [69] Jun Li, Ruihua Fan, Hengyan Wang, Bingtian Ye, Bei Zeng, Hui Zhai, Xinhua Peng, and Jiangfeng Du, “Measuring out-of-time-order correlators on a nuclear magnetic resonance quantum sim-

- ulator,” *Phys. Rev. X* **7**, 031011 (2017).
- [70] Diederik P. Kingma and Jimmy Ba, “Adam: A method for stochastic optimization,” (2017), [arXiv:1412.6980 \[cs.LG\]](https://arxiv.org/abs/1412.6980).
- [71] Adriano Barenco, Charles H. Bennett, Richard Cleve, David P. DiVincenzo, Norman Margolus, Peter Shor, Tycho Sleator, John A. Smolin, and Harald Weinfurter, “Elementary gates for quantum computation,” *Phys. Rev. A* **52**, 3457–3467 (1995).
- [72] Tao Xin, Sirui Lu, Ningping Cao, Galit Anikeeva, Dawei Lu, Jun Li, Guilu Long, and Bei Zeng, “Local-measurement-based quantum state tomography via neural networks,” *npj Quantum Information* **5**, 109 (2019).
- [73] Xue-Yang Li, Feng Lou, Xin-Gao Gong, and Hongjun Xiang, “Constructing realistic effective spin hamiltonians with machine learning approaches,” *New Journal of Physics* **22**, 053036 (2020).
- [74] Xinran Ma, Z. C. Tu, and Shi-Ju Ran, “Deep learning quantum states for Hamiltonian estimation,” *Chinese Physics Letters* **38**, 110301 (2021).