

Canonical Representations for Direct Generation of Strategies in High-level Petri Games (Full Version)^{‡*}

Manuel Giesecking and Nick Würdemann

Department of Computing Science, University of Oldenburg, Oldenburg, Germany
{giesecking,wuerdemann}@informatik.uni-oldenburg.de

Abstract. Petri games are a multi-player game model for the synthesis problem in distributed systems, i.e., the automatic generation of local controllers. The model represents causal memory of the players, which are tokens on a Petri net and divided into two teams: the controllable system and the uncontrollable environment. For one environment player and a bounded number of system players, the problem of solving Petri games can be reduced to that of solving Büchi games.

High-level Petri games are a concise representation of ordinary Petri games. Symmetries, derived from a high-level representation, can be exploited to significantly reduce the state space in the corresponding Büchi game. We present a new construction for solving high-level Petri games. It involves the definition of a unique, canonical representation of the reduced Büchi game. This allows us to translate a strategy in the Büchi game directly into a strategy in the Petri game. An implementation applied on six structurally different benchmark families shows in most cases a performance increase for larger state spaces.

1 Introduction

Whether telecommunication networks, electronic banking, or the world wide web, *distributed systems* are all around us and are becoming increasingly more widespread. Though an entire system may appear as one unit, the local controllers in a network often act autonomously on only incomplete information to avoid constant communication. These independent agents must behave correctly under all possible uncontrollable behavior of the environment. *Synthesis* [7] avoids the error-prone task of manually implementing such local controllers by automatically generating correct ones from a given specification (or stating the nonexistence of such controllers). In case of a single process in the underlying model, synthesis approaches have been successfully applied in nontrivial applications (e.g., [3], [25]). Due to the incomplete information in systems with

[‡]This is an extended version of [20].

^{*}This work was supported by the German Research Foundation (DFG) through the Research Training Group (DFG GRK 1765) SCARE and through Grant Petri Games (No. 392735815).

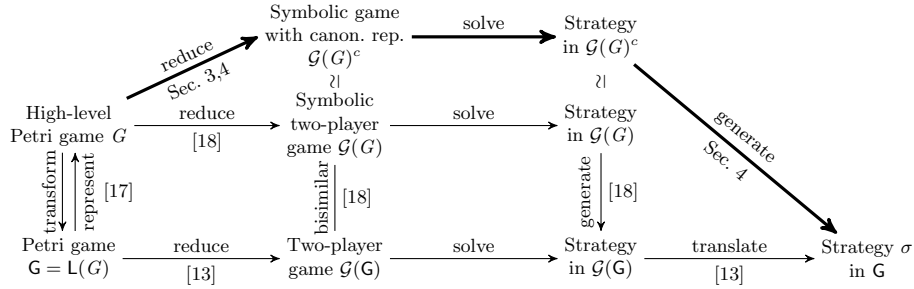


Fig. 1: An overview of the scope of this paper. The connections between the different elements describe their interplay and where these methods are introduced. The connections labeled with “solve” mean that a two-player (Büchi) game can be solved by standard algorithms in game theory (e.g., [21]). The bottom level corresponds to the original reduction in [13], the level above corresponds to the high-level counterparts described in [17,18], and the top level contains the elements introduced in this paper. The new reduction is marked by thick edges.

multiple processes progressing on their individual rate, modeling *asynchronous distributed systems* is even more cumbersome and particularly benefits from a synthesis approach.

Petri games [12] (based on an underlying Petri net [31] where the tokens are the players in the game) are a well-suited multi-player game model for the *synthesis of asynchronous distributed systems* because of its subclasses with comparably low complexity results. For Petri games with a single *environment (uncontrollable)* player, a bounded number of *system (controllable)* players, and a *safety objective*, i.e., all players have to avoid designated *bad places*, deciding the existence of a winning strategy for the system players is EXPTIME-complete [13]. This problem is called the *realizability problem*. The result is obtained via a reduction to a two-player Büchi game with enriched markings, so called *decision sets*, as states.

High-level Petri nets [24] can concisely model large distributed systems. Correspondingly, *high-level Petri games* [17] are a concise high-level representation of ordinary Petri games. For solving high-level Petri games, the *symmetries* [33] of the system can be exploited to build a *symbolic Büchi game* with a significantly smaller number of states [18]. The states are *equivalence classes* of decision sets and called *symbolic decision sets*. For generating a Petri game strategy for a high-level Petri game the approach proposed in [18] resorts to the original strategy construction in [13], i.e., the equivalence classes of a symbolic two-player strategy are dissolved and a strategy for the standard two-player game is generated. Figure 1 shows the relation of the elements just described.

In this paper, we propose a new construction for solving high-level Petri games to avoid this detour while generating the strategy. In [18] the symbolic Büchi game is generated by comparing each newly added state with all already added ones for equivalence, i.e., the *orbit problem* must be answered. The new approach calculates a *canonical representation* for each newly added state (the

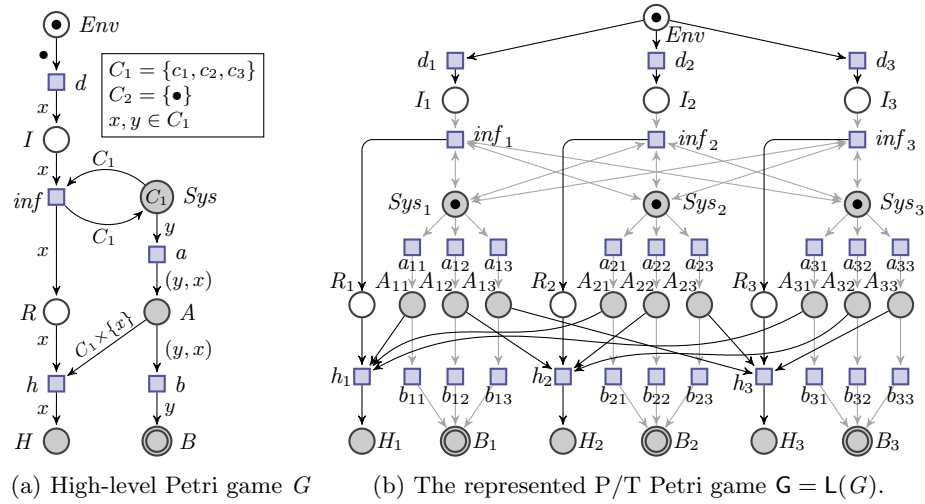


Fig. 2: *Client/Server*: The environment decides on one out of three computers to host a server. The system players (computers) can win the game by getting informed on the decision of the environment and connecting correctly.

constructive orbit problem [8]), and only stores these representations. This generation of a symbolic Büchi game with canonical representations is based on the corresponding ideas for reachability graphs from [5]. As in [18], we consider safe Petri games with a high-level representation, and exclude Petri games where the system can proceed infinitely without the environment. For the decidability result we consider, as in [13], Petri games with only one environment player, i.e., in every reachable marking there is at most one token on an environment place.

One of the main advantages of the new approach is that the canonical representations allow to directly generate a Petri game strategy from a symbolic Büchi game strategy without explicitly resolving all symmetries (cp. thick edges in Fig. 1). Another advantage is the complexity for constructing the symbolic Büchi game. Even though, the calculation of the canonical representation comes with a fixed cost, less comparisons can be necessary, depending on the input system. We implemented the new algorithm and applied our tool on the benchmark families used in [18] and Example 1. The results show in general a performance increase with an increasing number of states for most of the benchmark families.

We now introduce the example in which we demonstrate the successive development stages of the presented techniques throughout the paper.

Example 1. The high-level Petri game G depicted in Fig. 2a models a simplified scenario where one out of three computers must host a server for the others to connect to. The environment nondeterministically decides which computer must be the host. The places in the net are partitioned into *system places* (gray) and *environment places* (white). An object on a place is a player in the corresponding team. *Bad places* are double-bordered. The variables x, y on arcs are bound only

locally to the transitions, and an assignment of objects to these variables is called a *mode* of the transition.

The environment player \bullet , initially residing on place *Env*, decides via transition *d* in mode $x = \tilde{c}$ on a computer \tilde{c} that should host the server. The system players (computers $c_1, c_2, c_3 \in C_1$), initially residing on place *Sys*, can either directly, individually connect themselves to another computer via transition *a*, or wait for transition *inf* to be enabled. When they choose to connect themselves directly, after firing transition *a* in different modes, the corresponding pairs of computers reside on place *A*. Since the players always have to give the possibility to proceed in the game, and transition *h* cannot get enabled any more, they must take transition *b* to the bad place *B*. So instead, all players should initially only allow transition *inf* (in every possible mode x). After the decision of the environment, transition *inf* can be fired in mode $x = \tilde{c}$, placing \tilde{c} on *R*. In this firing, the system players get informed on the environment's decision. Back on place *Sys* they can, equipped with this knowledge, each connect to the computer \tilde{c} via transition *a*, putting the three objects $(c_1, \tilde{c}), (c_2, \tilde{c}), (c_3, \tilde{c})$ on place *A*. Thus, transition *h* can be fired in mode \tilde{c} , and the game terminates with \tilde{c} in *H*. Since the system players avoided reaching the bad place *B*, they win the play. This scenario is highly symmetric, since it does not matter which computer is chosen to be the host, as long as the others connect themselves correctly.

The remainder of this paper is structured as follows: In Sec. 2 we recall the definitions of (high-level) Petri nets and (high-level) Petri games. In Sec. 3 we present the idea, formalization, and construction of canonical representations. In Sec. 4 we show the application of these canonical representations in the symbolic two-player Büchi game, and how to directly generate a Petri game strategy. In Sec. 5, experimental results of the presented techniques are shown. Section 6 presents the related work and Sec. 7 concludes the paper.

2 Petri Nets and Petri Games

This section recalls (high-level) Petri nets and -games, and the associated concept of strategies established in [13,17,18]. Figure 2 serves as an illustration.

2.1 P/T Petri Nets

A (marked P/T) *Petri net* is a tuple $\mathbf{N} = (\mathbf{P}, \mathbf{T}, \mathbf{F}, \mathbf{M}_0)$, with the disjoint sets of *places* \mathbf{P} and *transitions* \mathbf{T} , a *flow function* $\mathbf{F} : (\mathbf{P} \times \mathbf{T}) \cup (\mathbf{T} \times \mathbf{P}) \rightarrow \mathbb{N}$, and an *initial marking* \mathbf{M}_0 , where a *marking* is a multi-set $\mathbf{M} : \mathbf{P} \rightarrow \mathbb{N}$ that indicates the number of tokens on each place. $\mathbf{F}(x, y) = n > 0$ means there is an *arc* of *weight* n from node x to y describing the flow of tokens in the net. A transition $\mathbf{t} \in \mathbf{T}$ is *enabled* in a marking \mathbf{M} if $\forall \mathbf{p} \in \mathbf{P} : \mathbf{F}(\mathbf{p}, \mathbf{t}) \leq \mathbf{M}(\mathbf{p})$. If \mathbf{t} is enabled then \mathbf{t} can *fire* in \mathbf{M} , leading to a new marking \mathbf{M}' calculated by $\forall \mathbf{p} \in \mathbf{P} : \mathbf{M}'(\mathbf{p}) = \mathbf{M}(\mathbf{p}) - \mathbf{F}(\mathbf{p}, \mathbf{t}) + \mathbf{F}(\mathbf{t}, \mathbf{p})$. This is denoted by $\mathbf{M}[\mathbf{t}]\mathbf{M}'$. \mathbf{N} is called *safe* if for all markings \mathbf{M} that can be reached from \mathbf{M}_0 by firing a sequence of

transitions we have $\forall p \in P : M(p) \leq 1$. For each transition $t \in T$ we define the *pre-* and *postset* of t as the multi-sets $pre(t) = F(\cdot, t)$ and $post(t) = F(t, \cdot)$ over P .

An example for a Petri net can be seen in Fig. 2b. Ignoring the different shades and potential double borders for now, the net's places are depicted as circles, transitions as squares. Dots represent the number of tokens on each place in the initial marking of the net. The flow is depicted as weighted arcs between places and transitions. Missing weights are interpreted as arcs of weight 1. In the initial marking, all transitions a_{ij} and d_i are enabled. Firing, e.g., d_1 results in the marking with one token on I_1 , Sys_1 , Sys_2 , and Sys_3 , each.

2.2 P/T Petri Games

Petri games are an extension of Petri nets to incomplete information games between two teams of players: the controllable system vs. the uncontrollable environment. The tokens on places in a Petri net represent the individual players. The place a player resides on determines their team membership. Particularly, a player can switch teams. For that, the places are divided into system places and environment places. A play of the game is a concurrent execution of transitions in the net. During a play, the *knowledge* of each player is represented by their *causal history*, i.e., all visited places and used transitions to reach to current place. Players enrich this local knowledge when synchronizing in a joint transition. Then the complete knowledge of all participating players are exchanged. Based on this, players allow or forbid transitions in their postset. A transition can only fire if every player in its preset allows the execution. The system players in a Petri game win a play if they satisfy a safety-condition, given by a designated set of bad places they must not reach.

Formally, a (P/T) *Petri game* is a tuple $G = (P_S, P_E, T, F, M_0, P_B)$, with a set of *system places* P_S , a set of *environment places* P_E , and a set of *bad places* $P_B \subseteq P_S$. The set of all places is denoted by $P = P_S \cup P_E$, and T, F, M_0 are the remaining components of a Petri net $N = (P, T, F, M_0)$, called the *underlying net* of G . We consider only Petri games with finitely many places and transitions.

In Fig. 2b, a Petri game is depicted. We just introduced the underlying net of the game. The system places are shaded gray, the environment places are white. Bad places are marked by a double border. This Petri game is the P/T-version of the high-level Petri game described in the introduction. The three tokens/system players residing on Sys_i represent the computers. The environment player residing on Env makes their decision which computer should host a server by taking a transition d_i . The system players can then get informed of the decision and react accordingly as described above.

A *strategy* for the system players in a Petri game G can be formally expressed as a *sub-process* of the *unfolding* [10]: in the unfolding of a Petri net, every loop is unrolled and every backward branching place is expanded by duplicating the place, so that every transition represents the unique occurrence of a transition during an execution of the net. The causal dependencies in G (and thus, the knowledge of the players) are naturally represented in its unfolding, which is

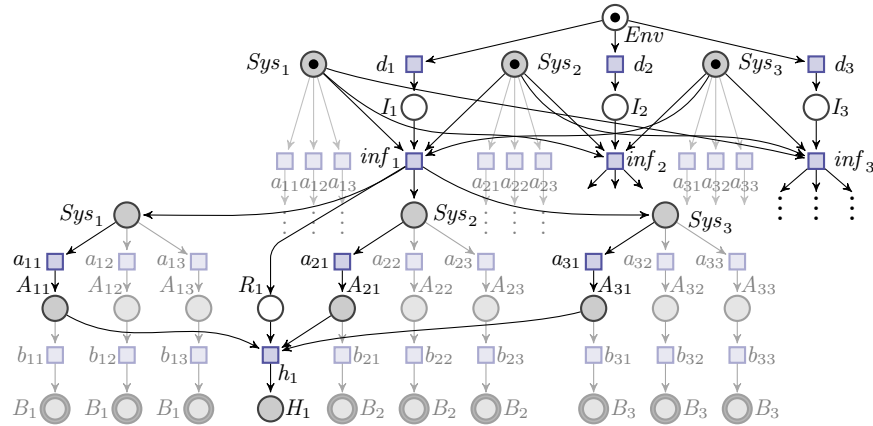


Fig. 3: Part of a winning strategy for the system players in G (solid), obtained by deleting some of the branches of the unfolding (solid and greyed out).

the unfolding of the underlying net with system-, environment-, and bad places marked correspondingly.

A strategy is obtained from the unfolding by deleting some of the branches that are under control of the system players. This sub-process has to meet three conditions: (i) The strategy must be *deadlock-free*, to avoid trivial solutions; it must allow the possibility to continue, whenever the system can proceed. Otherwise the system players could win with the respect to the safety objective (bad places) if they decide to do nothing. (ii) The system players must act in a *deterministic* way, i.e., in no reachable marking of the strategy two transitions involving the same system player are enabled. (iii) *Justified refusal*: if a transition is not in the strategy, then the reason is that a system player in its preset forbids all occurrences of this transition in the strategy. Thus, no pure environment decisions are restricted, and system players can only allow or forbid a transition of the original net, based on only their knowledge. In a *winning* strategy, the system players cannot reach bad places.

In Fig. 3, we see the already informally described winning strategy for the system players in the Petri game G . For clarity, we only show the case in which the environment chose the first computer to be the host completely. All computers, *after* getting informed of the environment's decision, act correspondingly and connect to the first computer. The remaining branches in the unfolding are cut off in the strategy. The other two cases (after firing inf_2 or inf_3) are analogous. We include the formal definitions of unfoldings and strategies in App. A.

2.3 High-Level Petri Nets

While in P/T Petri nets only tokens can reside on places, in high-level Petri nets each place is equipped with a *type* that describes the form of data (also called *colors*) the place can hold. Instead of weights, each arc between a place p and a transition t is equipped with an *expression*, indicating which of these colors are

taken from or laid on p when firing t . Additionally, each transition t is equipped with a *guard* that restricts when t can fire.

Formally, a *high-level* Petri net is a tuple $N = (P, T, F, ty, e, g, M_0)$, with a set of *places* P , a set of *transitions* T satisfying $P \cap T = \emptyset$, a *flow relation* $F \subseteq (P \times T) \cup (T \times P)$, a *type function* ty from P such that for each place p , $ty(p)$ is the set of colors that can lie on p , a mapping e that, for every transition t , assigns to each arc (p, t) (or (t, p)) in F an expression $e(p, t)$ (or $e(t, p)$) indicating which colors are withdrawn from p (or laid on p) when t is fired, a *guard function* g that equips each transition t with a Boolean expression $g(t)$, an *initial marking* M_0 , where a *marking* in N is a function M with domain P indicating what colors reside on each place, i.e., $\forall p \in P : M(p) \in [ty(p) \rightarrow \mathbb{N}]$.

Fig. 2a a high-level Petri net is depicted. As in the P/T case, we ignore the different shadings and borders of places for now. The types of the places can be deduced from the surrounding arcs. For example, the place E has the type $ty(E) = C_2 = \{\bullet\}$, and the place A has the type $ty(A) = C_1 \times C_1$. Each arc is equipped with an expression, e.g., $e(Sys, a) = y$, and $e(a, A) = (y, x)$. In the given net, all guards of transitions are *true* and therefore not depicted.

Typically, expressions and guards will contain variables. A *mode* (or valuation) v of a transition $t \in T$ assigns to each variable x occurring in $g(t)$, or any expression $e(p, t)$ or $e(t, p)$, a value $v(x)$. The set $Val(t)$ contains all modes of t . Each $v \in Val(t)$ assigns a Boolean value, denoted by $v(t)$, to $g(t)$, and to each arc expression $e(p, t)$ or $e(t, p)$ a multi-set over $ty(p)$, denoted by $v(p, t)$ or $v(t, p)$. A transition t is *enabled in a mode* $v \in Val(t)$ in a marking M if $v(t) = true$ and for each arc $(p, t) \in F$ and every $c \in ty(p)$ we have $v(p, t)(c) \leq M(p)(c)$. The marking M' reached by firing t in mode v from M (denoted by $M[t.v]M'$) is calculated by $\forall p \in P \forall c \in ty(p) : M'(p)(c) = M(p)(c) - v(p, t)(c) + v(t, p)(c)$.

A high-level Petri net N can be *transformed* into a P/T Petri net $L(N)$ with $P = \{p.c \mid p \in P, c \in ty(p)\}$, $T = \{t.v \mid t \in T, v \in Val(t), v(t) = true\}$, the flow F defined by $\forall p.c \in P \forall t.v \in T : F(p.c, t.v) = v(p, t)(c) \wedge F(t.v, p.c) = v(t, p)(c)$, and initial marking M_0 defined by $\forall p.c \in P : M_0(p.c) = M_0(p)(c)$. The two nets then have the same semantics: the number of tokens on a place $p.c$ in a marking in $L(N)$ indicates the number of colors c on place p in the corresponding marking in N . Firing a transition $t.v$ in $L(N)$ corresponds to firing transition t in mode v in N . We say a high-level Petri net N *represents* the P/T Petri net $L(N)$.

2.4 High-Level Petri Games

Just as P/T Petri games are structurally based on P/T Petri nets, a *high-level Petri game* $G = (P_S, P_E, T, F, ty, e, g, M_0, P_B)$ with *underlying high-level net* $N = (P, T, F, ty, e, g, M_0)$ divides the places P into *system places* P_S and *environment places* P_E . The set $P_B \subseteq P_S$ indicates the bad places. High-level Petri games represent P/T Petri games: a high-level Petri game G (with underlying high-level net N) *represents* a P/T Petri game $L(G)$ with underlying P/T Petri net $L(N)$. The classification of places $p.c$ in $L(G)$ into system-, environment-, and bad places corresponds to the places p in the high-level game.

In Fig. 2, a high-level Petri game G and its represented Petri game $\mathbb{G} = \mathbb{L}(G)$ are depicted. For the sake of clarity, we abbreviated the nodes in $\mathbb{L}(G)$. Thus, e.g., the transition $a.[x = c_1, y = c_2]$ is renamed to a_{12} . We often use notation from the represented P/T Petri game to express situations in a high-level game.

3 Canonical Representations of Symbolic Decision Sets

In this paper, we investigate for a given high-level Petri game G with one environment player whether the system players in $\mathbb{L}(G)$ have a winning strategy (and possibly generate one). This problem is solved via a reduction to a symbolic two-player Büchi game $\mathcal{G}(G)^c$. The general idea of this reduction is, as in [13], to equip the markings of the Petri game with a set of transitions for each system player (called *commitment sets*) which allows the players to fix their next move. In the generated Büchi game, only a subset of all interleavings is taken into account, in the way that the moves of the environment player are delayed until no system player can progress without interacting with the environment. By that, each system player gets informed about the environment's last position during their next move. This means that in every state, every system player knows the current position of the environment or learns it in the next step, before determining their next move. Thus, the system players can be considered to be completely informed about the game. This is only possible due to the existence of only one environment player. For more environment players such interleavings would not ensure that each system player is informed (or gets informed in their next move) about all environment positions. The nodes of the game are called *decision sets*. In [18], symmetries in the Petri net are exploited to define equivalence classes of decision sets, called *symbolic decision sets*. These are used to create an equivalent, but significantly smaller, Büchi game.

In this section we introduce the new canonical representations of symbolic decision sets which serve as nodes for the new Büchi game. We transfer relations between and properties of (symbolic) decision sets to the established canonical representations. We start by recalling the definitions of symmetries in Petri nets [33] and of (symbolic) decision sets [18].

From now on we consider high-level Petri games G representing a safe P/T Petri game $\mathbb{L}(G)$ that has one environment player, a bounded number of system players with a safety objective, and where the system cannot proceed infinitely without the environment.

3.1 Symmetric Nets

High-level representations are often created using *symmetries* [33] in a Petri net. Conversely, in some high-level nets, symmetries can be read directly from the given specification. A class of nets which allow this are the so called *symmetric nets* (SN) [4].¹ In symmetric nets, the types of places are selected from

¹Symmetric Nets were formerly known as Well-Formed Nets (WNs). The renaming was part of the ISO standardization [23].

given (finite) *basic color classes* C_1, \dots, C_n . For every place $p \in P$, we have $ty(p) = C_1^{p_1} \times \dots \times C_n^{p_n}$ for natural numbers $p_1, \dots, p_n \in \mathbb{N}$, where $C_i^{p_i}$ denotes the p_i -fold Cartesian product of C_i .² The possible values of variables contained in guards and arc expressions are also basic classes. Thus, the modes of each transition $t \in T$ are also given by a Cartesian product $Val(t) = C_1^{t_1} \times \dots \times C_n^{t_n}$. Guards and arc expressions treat all elements in a color class equally.

Example 2. The underlying high-level net N in Fig. 2 is a symmetric net with basic color classes $C_1 = \{c_1, c_2, c_3\}$ and $C_2 = \{\bullet\}$. We have, e.g., $Val(a) = C_1 \times C_1$ (the two coordinates representing y and x), and therefore, $a_1 = 2, a_2 = 0$.

Remark 1. In general, each basic color class C_i is possibly partitioned into *subclasses* $C_i = \bigcup_{q=1}^{n_i} C_{i,q}$. In the main body of this paper, we omit this partition. The detailed proofs in the appendix take the general case into account.

Proposition 1. *Any high-level Petri net can be transformed into a SN with the same basic structure, same place types, and equivalent arc labeling (cf. [4]).*

The *symmetries* ξ_N in a symmetric net N are all tuples $s = (s_1, \dots, s_n)$ such that each s_i is a permutation on C_i . A symmetry s can be applied to a single color $c \in C_i$ by $s(c) = s_i(c)$. The application to tuples, e.g., colors on places or transition modes, is defined by the application in each entry. The set ξ_N , together with the function composition \circ , forms a group with identity $(id_{C_i})_{i=1}^n$. In the represented P/T Petri net $L(N)$, symmetries can be applied to places $\mathbf{p} = p.c \in P$ and transitions $\mathbf{t} = t.v \in T$ by defining $s(p.c) = p.s(c)$ and $s(t.v) = t.s(v)$. The structure of symmetric nets ensures $\forall s \in \xi_N \forall \mathbf{t} \in T : pre(s(\mathbf{t})) = s(pre(\mathbf{t}))$ and $post(s(\mathbf{t})) = s(post(\mathbf{t}))$. Thus, symmetries are compatible with the firing relation; $\forall s \in \xi_N : M[\mathbf{t}]M' \Leftrightarrow s(M)[s(\mathbf{t})]s(M')$. In a symmetric net, we can w.l.o.g. assume the initial marking M_0 to be *symmetric*, i.e., $\forall s \in \xi_N : s(M_0) = M_0$.

3.2 Symbolic Decision Sets

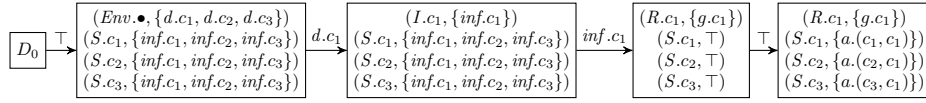
A *decision set* is a set $D \subseteq P \times (\mathbb{P}(T) \cup T)$. An element $(\mathbf{p}, C) \in D$ with $C \subseteq post(\mathbf{p})$ indicates there is a player on place \mathbf{p} who allows all transitions in C to fire. C is then called a *commitment set*. An element $(\mathbf{p}, \top) \in D$ indicates the player on place \mathbf{p} has to choose a commitment set in the next step. The step of this decision is called \top -*resolution*.

In a \top -resolution, each \top -symbol in a decision set D is replaced with a suitable commitment set. This relation is denoted by $D[\top]D'$. If there are no \top -symbols in D , a transition \mathbf{t} is *enabled*, if $\forall \mathbf{p} \in pre(\mathbf{t}) \exists (\mathbf{p}, C) \in D : \mathbf{t} \in C$, i.e., there is a token on every place in $pre(\mathbf{t})$ (as for markings) and additionally, \mathbf{t} is in every commitment set of such a token. In the process of firing an enabled transition, the tokens are moved accordingly to the flow F . The moved or generated tokens on system places are then equipped with a \top -symbol, while

²In the Cartesian products $ty(p)$ and $Val(t)$, we omit all C_i^x with $x = 0$ (empty sets).

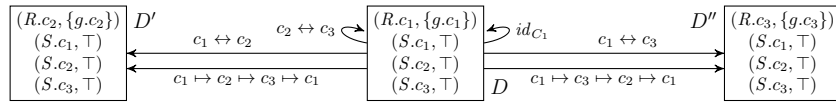
the tokens on environment places allow *all* transitions that they are involved in. This relation is denoted by $D[t]D'$. The *initial decision set* is given by $D_0 = \{(\mathbf{p}, \{\mathbf{t} \in \mathbb{T} \mid \mathbf{p} \in \text{pre}(\mathbf{t})\}) \mid \mathbf{p} \in \mathbb{P}_E \cap \mathbb{M}_0\} \cup \{(\mathbf{p}, \top) \mid \mathbf{p} \in \mathbb{P}_S \cap \mathbb{M}_0\}$, i.e., the environment in the initial marking allows all possible transitions, the system players still have to choose a commitment set.

Example 3. Assume in the Petri game in Fig. 2a that the computers initially allow transition *inf* in every mode. The environment player on *Env* fires transition *d* in mode c_1 . After that, the system gets informed of the environment's decision via transition *inf* in mode c_1 . The system players, now back on *Sys*, decide via \top -resolution they all want to assign themselves to c_1 . This corresponds to the following sequence of decision sets, where we abbreviate *Sys* by *S*.



A high-level Petri game G has the same symmetries ξ_N as its underlying symmetric net N . They can be applied to decision sets by applying them to every occurring color c or mode v . For a decision set D , an equivalence class $\{s(D) \mid s \in \xi_N\}$ is called the *symbolic decision set* of D , and contains symmetric situations in the Petri game. In [18], these equivalence classes replace individual decision sets in the two-player Büchi game to achieve a substantial state space reduction.

Example 4. Consider the second to last decision set in the sequence above. This situation is symmetric to the cases where the environment chose computer c_2 or c_3 as the host. In the example G , we have the two color classes C_1 and C_2 . Since $|C_2| = 1$, the only permutation on C_2 is id_{C_2} . Thus, the symmetries in G are the permutations on C_1 . Symmetries transform the elements in the symbolic decision set into each other. The corresponding symbolic decision set contains the following three elements D , D' , and D'' :



Each edge between two decision sets corresponds to the application of a symmetry. The abbreviated notation $c \mapsto c' \mapsto c'' \mapsto c$ means that each element is mapped to the next in line. Analogously, $c \leftrightarrow c'$ means that c and c' are switched.

3.3 Canonical Representations

In order to exploit symmetries to reduce the size of the state space, one aims to consider only one representative of each of the equivalence classes induced by the symmetries. This can be done either by checking whether a newly generated state is equivalent to any already generated one, or by transforming each newly generated state into an equivalent, canonical representative. In [18] we

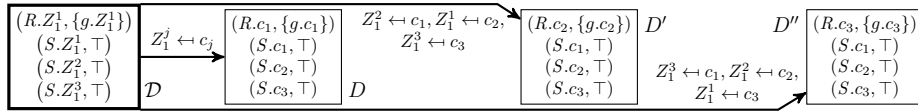
consider the former approach. The nodes of the symbolic Büchi game are symbolic decision sets. In the construction, an arbitrary representative \overline{D} is chosen for each of these equivalence classes. This means, when reaching a new node D' , we must apply every symmetry s to test whether there already is a representative $\overline{D'} = s(D')$, or whether D' is in a new symbolic decision set.

In this section, we now aim at the second approach and define the new *canonical representations* of symbolic decision sets. For that, we first define *dynamic representations*, and then show how to construct a canonical one. We use these instead of (arbitrary representatives of) symbolic decision sets in the construction of the symbolic Büchi game in Sec. 4.

Dynamic Representations A dynamic representation is an abstract description of a symbolic decision set. It consists of dynamic subclasses of variables, and a dynamic decision set where these dynamic subclasses replace explicit colors. Any (valid) assignment of values to the variables in the dynamic subclasses results in a decision set in the equivalence class.

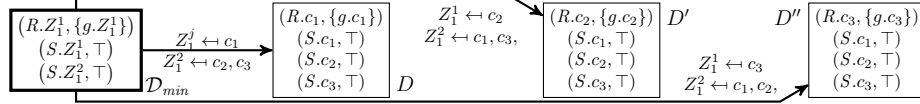
Formally, a *dynamic representation* is a tuple $\mathcal{R} = (\mathcal{C}, \mathcal{D})$, with the set of *dynamic subclasses* $\mathcal{C} = \{Z_i^j \mid 1 \leq i \leq n, 1 \leq j \leq m_i\}$ for natural numbers m_i , and a *dynamic decision set* \mathcal{D} . A dynamic subclass Z_i^j contains a finite number of variables with values in C_i . Each Z_i^j has a cardinality $|Z_i^j|$ that indicates the number of variables. In total, there are as many variables with values in C_i as there are colors, i.e., $\sum_{j=1}^{m_i} |Z_i^j| = |C_i|$. An *assignment* $va : \bigcup_{i=1}^n C_i \rightarrow \mathcal{C}$ is *valid* if it respects the cardinality of dynamic subclasses, i.e., $|\{c \in C_i \mid va(c) = Z_i^j\}| = |Z_i^j|$. Every valid assignment of colors $c \in C_i$ to the Z_i^j , $1 \leq j \leq m_i$, gives a partition of C_i . A dynamic decision set is the same as a decision set, with dynamic subclasses replacing explicit colors. For every decision set D in a symbolic decision set with dynamic representation $\mathcal{R} = (\mathcal{C}, \mathcal{D})$, there is a valid assignment va_D such that $D = va_D^{-1}(\mathcal{D})$. In general, there are several dynamic representations of a symbolic decision set.

Example 5. Consider the symbolic decision set from the last example. We can naively build a dynamic representation by taking one of the decision sets, and replacing each color by a dynamic subclass of cardinality 1. This results in as many dynamic subclasses as there are colors, i.e., $\mathcal{C} = \{Z_1^1, Z_1^2, Z_1^3, Z_2^1\}$ with $|Z_i^j| = 1$ for all i, j . Below, the resulting dynamic decision set \mathcal{D} is depicted, with valid assignments that lead to elements D , D' , and D'' .



The element $(R.Z_1^1, \{g.Z_1^1\})$, e.g., represents one arbitrary color c (since $|Z_1^1| = 1$) on place R with $g.c$ in its commitment set. The same color is on place S , equipped with a \top -symbol.

Minimality We notice in the example above that Z_1^2 and Z_1^3 appear in the same contexts in \mathcal{D} . The *context* $\text{con}(Z_i^j)$ of a dynamic subclass Z_i^j is defined as the set of tuples in \mathcal{D} where exactly one appearance of Z_i^j is replaced by a symbol ∇ . So in our example $\text{con}(Z_1^2) = \{(S.\nabla, \top)\} = \text{con}(Z_1^3)$, and $\text{con}(Z_1^1) = \{(S.\nabla, \top), (R.\nabla, g.c_1), (R.c_1, g.\nabla)\}$. This means Z_1^2 and Z_1^3 can be *merged* into a new dynamic subclass of cardinality 2. The resulting new dynamic representation is given by $\mathcal{C}_{min} = \{Z_1^1, Z_2^2, Z_2^1\}$ with $|Z_1^1| = |Z_2^1| = 1$ and $|Z_2^2| = 2$, and $\mathcal{D}_{min} = \{(R.Z_1^1, \{g.Z_1^1\}), (S.Z_1^1, \top), (S.Z_2^2, \top)\}$.



Minimal representations do not contain any two dynamic subclasses Z_i^j, Z_i^k with the same context. Given a dynamic representation, it is algorithmically simple to construct a minimal representation of the same symbolic decision set by merging all dynamic subclasses with the respectively same context. The dynamic representation above that resulted from merging the subclasses is therefore minimal. Still, minimality is not enough to obtain a unique canonical representation, since we can permute the indices j of the dynamic subclasses Z_i^j .

Lemma 1. *The minimal representations of a symbolic decision set are unique up to a permutation of the dynamic subclasses.*

This lemma can be proved using the observation that every minimal representation can be reached from a dynamic representation that contains only dynamic subclasses of cardinality 1 (as the one in Example 5) by merging.

Ordering We can choose one of the minimal representations by *ordering* the dynamic subclasses. In the following, we give a possible way to do that. We display the dynamic decision set \mathcal{D} as a matrix, with rows and columns indicating (tuples of) dynamic subclasses Z . An element of the matrix at entry (Z, Z') returns all tuples (p, t) satisfying $(p.Z, C) \in \mathcal{D}$ and $t.Z' \in C$ for a commitment set C . Also, all tuples (p, \top) satisfying $(p.Z, \top) \in \mathcal{D}$ and all tuples (p, \emptyset) satisfying $(p.Z, \emptyset) \in \mathcal{D}$ are returned (in these cases, Z' is neglected).

The elements of the matrix are in $\mathbb{P}(\mathbb{P}(\mathbb{P}(\mathbb{T} \cup \{\top, \emptyset\})))$. Since this set is finite, we can give an arbitrary, but fixed, total order on it. This order can be extended to the matrices over the set (the lexicographic order by row-wise traversal through a matrix). Then we can determine a permutation such that, when applied to the dynamic subclasses, the matrix is *minimal with respect to the lexicographic order*. The corresponding dynamic representation is called *ordered*.

Example 6. On the left we see the matrix of the dynamic decision set \mathcal{D} in the minimal representation given above. The first entry, at (Z_1^1, Z_1^1) , e.g., is $\{(S, \top), (R, g)\}$ since $(S.Z_1^1, \top)$ and $(R.Z_1^1, g.Z_1^1)$ are in \mathcal{D} . Assume $\{(S, \top)\} < \{(S, \top), (R, g)\}$. When the permutation switching Z_1^1 and Z_1^2 is applied, we get the right matrix, which is lexicographically smaller (the first entry is smaller).

$$\begin{array}{c|cc} & Z_1^1 & Z_1^2 \\ \hline Z_1^1 & \{(S, \top), (R, g)\} & \{(S, \top)\} \\ Z_1^2 & \{(S, \top)\} & \{(S, \top)\} \end{array} \xleftrightarrow{Z_1^1 \leftrightarrow Z_1^2} \begin{array}{c|cc} & Z_1^1 & Z_1^2 \\ \hline Z_1^1 & \{(S, \top)\} & \{(S, \top)\} \\ Z_1^2 & \{(S, \top)\} & \{(S, \top), (R, g)\} \end{array}$$

Thus, the minimal representation from above is transformed into a *minimal and ordered* representation $(\mathcal{C}_{ord}, \mathcal{D}_{ord})$ by the permutation $Z_1^1 \leftrightarrow Z_1^2$.

Theorem 1. *For every symbolic decision set there is exactly one minimal and ordered dynamic representation. We call this the canonical (dynamic) representation.*

The proof follows from Lemma 1 and the observation that if two ordered dynamic representations can be transformed into each other by applying a permutation of the dynamic subclasses, they must have the same dynamic decision set.

We can algorithmically order a minimal representation by calculating all symmetric representations and finding the one with the lexicographically smallest matrix. These are maximally $|\xi_N|$ comparisons of dynamic representations. So by first making a dynamic representation minimal, and then ordering it, we get the respective canonical representation.

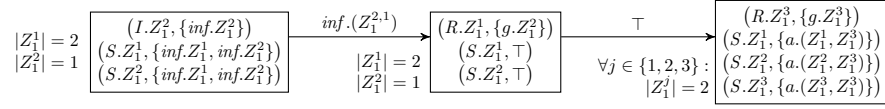
Corollary 1. *We can construct the canonical representation of a given symbolic decision set in $O(|\xi_N|)$.*

3.4 Relations between Canonical Representations

Between decision sets, we have the two relations $D[\top]D'$ and $D[t.v]D'$ with $v \in \text{Val}(t) = C_1^{t_1} \times \dots \times C_n^{t_n}$. In canonical representations, we abstract from specific colors $c \in C_i$ and replace them by dynamic subclasses Z_i^j of variables. However, in the process of \top -resolution or transition firing, two objects represented by the same dynamic subclass can act differently. This means we *instantiate* special objects in the classes that are relevant in the \top -resolution or transition firing.

For this, each dynamic subclass Z_i^j in a canonical representation \mathcal{R} is *split* into finitely many $Z_i^{j,k}$ of cardinality $|Z_i^{j,k}| = 1$ with $k > 0$, and a subclass $Z_i^{j,0}$, containing the possibly remaining, non-instantiated, variables. Then, a \top is resolved, or a transition is fired, with the dynamic subclasses $Z_i^{j,k}$ replacing explicit data entries $c \in C_i$. Finally, the canonical representation \mathcal{R}' of the reached dynamic representation is found. These relations are denoted by $\mathcal{R}[\top]\mathcal{R}'$ and $\mathcal{R}[t.Z]\mathcal{R}'$, where Z is a tuple of instantiated $Z_i^{j,k}$.

Below we see an example that corresponds to the last two steps in Example 3. We calculated the second canonical representation in the last section. It is reached from the first canonical representation by firing $\text{inf}.Z_1^{2,1}$. In this process one (the only) element in Z_1^2 is instantiated by a dynamic subclass $Z_1^{2,1}$ of cardinality 1. After the actual firing, the reached representation is made canonical. Then, a \top is resolved. Here, Z_1^1 is split into $Z_1^{1,1}$ and $Z_1^{1,2}$ with $|Z_1^{1,1}| = |Z_1^{1,2}| = 1$. In the reached dynamic representation, no two subclasses have the same context, so it is already minimal. After ordering we get the canonical representation.



Theorem 2. *Every relation $D[t.v]D'$ or $D[\top]D'$ between two decision sets D and D' is represented by exactly one symbolic relation $\mathcal{R}[t.Z]\mathcal{R}'$ or $\mathcal{R}[\top]\mathcal{R}'$ between the respective canonical representations \mathcal{R} and \mathcal{R}' .*

The proof for the case $D[t.v]D'$ follows by applying a valid assignment va_D to v and splitting \mathcal{R} correspondingly. The case $D[\top]D'$ works analogously.

3.5 Properties of Canonical Representations

The goal is to use canonical representations instead of individual decision sets or (arbitrary representatives of) symbolic decision sets as nodes in a two player game. The edges $(\mathcal{R}, \mathcal{R}')$ in this game are built from relations $\mathcal{R}[t.Z]\mathcal{R}'$ and $\mathcal{R}[\top]\mathcal{R}'$, depending on the properties of \mathcal{R} . For example, if \mathcal{R} describes nondeterministic situations in the Petri game, then the edges from \mathcal{R} are built in such a way that player 0 (representing the system) cannot win the game from there. In this section, we define the relevant properties of canonical representations.

In [13], the following properties of a decision set D are defined. Let $M(D) = \{p \in P \mid (p, \top) \in D \vee \exists C \subseteq T : (p, C) \in D\}$ be the *underlying marking* of D . D is *environment-dependent* iff $\neg D[\top]$, i.e., there is no \top symbol in any tuple in D , and $\forall t \in T : D[t] \Rightarrow pre(t) \cap P_E \neq \emptyset$, i.e., all enabled transitions have an environment place in their preset. D *contains a bad place* iff $P_B \cap M(D) \neq \emptyset$. D is a *deadlock* iff $\neg D[\top]$, and $\exists t' \in T : M(D)[t'] \wedge \forall t \in T : \neg D[t]$, i.e., there is a transition that is enabled in the underlying marking, but the system forbids all enabled transitions. D is *terminating* iff $\forall t \in T : \neg M(D)[t]$. D is *nondeterministic* iff $\exists t_1, t_2 : t_1 \neq t_2 \wedge P_S \cap pre(t_1) \cap pre(t_2) \neq \emptyset \wedge D[t_1] \wedge D[t_2]$, i.e., two separate transitions sharing a system place in their presets both are enabled.

In [18], we showed that all decision sets in one equivalence class share the same of the properties defined above. Thus, we say a symbolic decision set has one of the above properties iff its individual members have the respective property.

We now define these properties for canonical representations. Since we do not want to consider individual decision sets, we do that on the level of dynamic representations. Let $\mathcal{R} = (\mathcal{C}, \mathcal{D})$ be a canonical representation. \mathcal{R} is *environment-dependent* iff $\neg \mathcal{R}[\top]$, i.e., there is no \top symbol in any tuple in \mathcal{D} , and $\forall t.Z : \mathcal{R}[t.Z] \Rightarrow \exists p \in P_E : (p, t) \in F$, and \mathcal{R} *contains a bad place* iff $\exists p \in P_B \exists X : (p.X, \top) \in \mathcal{R} \vee \exists C : (p.X, C) \in \mathcal{D}$. Both these properties are rather analogous to the respective property of decision sets. For termination and deadlocks, we introduce for the given \mathcal{R} the representation \mathcal{R}_{all} with the same dynamic subclasses, and the dynamic decision set where every player has all possible transitions $t.Z$ in their commitment set. Since then all transitions that could fire in the underlying marking are enabled, this substitutes for $M(D)$. We say \mathcal{R} is a *deadlock* iff $\neg \mathcal{R}[\top]$, and $\exists t'.Z' : \mathcal{R}_{all}[t'.Z'] \wedge \forall t.Z : \mathcal{R}[t.Z]$. Analogously, \mathcal{R} is *terminating* iff $\forall t.Z : \neg \mathcal{R}_{all}[t.Z]$. For nondeterminism we have to consider

two cases. The first one is analogous to the property for individual decision sets. $ndet_1(\mathcal{R}) = \exists t.Z, t'.Z' : t.Z \neq t'.Z' \wedge \exists p \in P_S \exists X, C : (p.X, C) \in \mathcal{D} \wedge t.Z, t'.Z' \in C \wedge \mathcal{R}[t.Z] \wedge \mathcal{R}[t'.Z']$. The second case considers the situation that *two instances* of one $t.Z$ can both fire with a shared system place in their preset. $ndet_2(\mathcal{R}) = \exists t.Z \exists p \in P_S \exists X, C : (p.X, C) \in \mathcal{D} \wedge t.Z \in C \wedge \exists Z_i^{j,k} \in Z : |Z_i^j| > 1 \wedge \mathcal{R}[t.Z]$. Finally, \mathcal{R} is *nondeterministic* iff $ndet_1(\mathcal{R}) \vee ndet_2(\mathcal{R})$.

Corollary 2. *The properties of a symbolic decision set and its canonical representation coincide.*

For the proof, Theorem 2 is applied to the properties of individual decision sets.

4 Applying Canonical Representations

In this section, we define for a high-level Petri game G the two-player Büchi game $\mathcal{G}(G)^c$ with canonical representations \mathcal{R} of symbolic decision sets, rather than arbitrary representative \bar{D} as in [18]. The edges between nodes are directly implied by the relations $\mathcal{R}[t.Z]\mathcal{R}'$ and $\mathcal{R}[\top]\mathcal{R}'$ between canonical representations. This allows to *directly* generate a winning strategy for the system players in G from a winning strategy for player 0 in $\mathcal{G}(G)^c$ (cf. Fig. 1).

4.1 The Symbolic Two-Player Game

We reduce a Petri game G with high-level representation G to a two-player Büchi game $\mathcal{G}(G)^c$. The goal is to directly create a strategy σ for the system players in G from a strategy f for player 0 in $\mathcal{G}(G)^c$. Recall that a Petri game strategy must be deadlock-free, deterministic, and satisfy the justified refusal condition. Additionally, to be winning, it must not contain bad places.

The nodes in $\mathcal{G}(G)^c$ are canonical representations of symbolic decision sets, equivalence classes of situations in the Petri game. The properties of canonical representations defined in Sec. 3.5 characterize these situations. These properties are used in the construction of the game. As in [13,18], the environment in the game $\mathcal{G}(G)^c$ only moves when the system players cannot continue alone. Thus, they get informed of the environment's decisions in their next steps and the system can therefore be considered as completely informed. Bad situations (nondeterminism, deadlocks, tokens on bad places) result in player 0 not winning. If player 0 can avoid these situations and always win the game, this strategy can be translated into a winning strategy for the system players in the Petri game.

The *symbolic two-player Büchi game with canonical representations* $\mathcal{G}(G)^c = (V_0, V_1, E, V_F, \mathcal{R}_0)$ for a high-level Petri game G has the following components. The *nodes* $V = V_0 \dot{\cup} V_1$ are all possible canonical representations \mathcal{R} of symbolic decision sets in G . The partition into *player 0's nodes* V_0 and *player 1's nodes* V_1 is given by $V_1 = \{\mathcal{R} \mid \mathcal{R} \text{ is environment dependent}\}$ and $V_0 = V \setminus V_1$. The *edges* E are constructed as follows. If $\mathcal{R} \in V$ contains a bad place, is a deadlock, is terminating, or is nondeterministic, there is only a self-loop originating from \mathcal{R} . If $\mathcal{R} \in V_0$ then $(\mathcal{R}, \mathcal{R}') \in E$ if either $\mathcal{R}[\top]\mathcal{R}'$, or, if no \top can be resolved, $\mathcal{R}[t.Z]\mathcal{R}'$

with only system players participating in $t.Z$. If $\mathcal{R} \in V_1$, then $(\mathcal{R}, \mathcal{R}') \in E$ for every \mathcal{R}' such that $\mathcal{R}[t.Z]\mathcal{R}'$, i.e., transitions involving environment players can only fire if nothing else is possible. The set V_F of *accepting nodes* contains all representations \mathcal{R} that are terminating or environment-dependent, but are not a deadlock, nondeterministic, or contain a bad place. The *initial state* \mathcal{R}_0 is the canonical representation of the symbolic decision set containing D_0 .

A function $f : V^* V_0 \rightarrow V$ s.t. $\forall \mathcal{R}'_0 \cdots \mathcal{R}'_k \in V^* V_0 : (\mathcal{R}'_k, f(\mathcal{R}'_0 \cdots \mathcal{R}'_k)) \in E$ is called a *strategy* for player 0. A strategy f is called *winning* iff every run $\rho = \mathcal{R}_0 \mathcal{R}_1 \mathcal{R}_2 \cdots$ from \mathcal{R}_0 in $\mathcal{G}(G)^c$ (i.e., $\forall k : (\mathcal{R}_k, \mathcal{R}_{k+1}) \in E$) that is *consistent with f* (i.e., $\mathcal{R}_k \in V_0 \Rightarrow \mathcal{R}_{k+1} = f(\mathcal{R}_0 \cdots \mathcal{R}_k)$) *satisfies the Büchi condition w.r.t. V_F* (i.e., $\forall k \exists k' \geq k : \mathcal{R}_{k'} \in V_F$).

In the game $\mathcal{G}(G)$ in [18], player 0 has a winning strategy if and only if the system players in $L(G)$ have a winning strategy. As described above, it is built from the relations $\overline{D}[t.c]D'$ and $\overline{D}[\top]D'$ from representatives \overline{D} of symbolic decision sets. The introduced game $\mathcal{G}(G)^c$ is built analogously, with the difference that the nodes are now canonical representations instead of arbitrary representatives of symbolic decision sets, and the edges are built from the relations $\mathcal{R}[t.Z]\mathcal{R}'$ and $\mathcal{R}[\top]\mathcal{R}'$ (cf. Theorem 2 and Cor. 2). The two games are isomorphic, as depicted in Fig. 1. Thus, we get the following result.

Theorem 3. *Given a Petri game G with one environment player, a bounded number of system players with a safety objective, and a high-level representation G , there is a winning strategy for the system players in G if and only if there is a winning strategy for player 0 in $\mathcal{G}(G)^c$.*

The size of $\mathcal{G}(G)^c$ is the same as of $\mathcal{G}(G)$ (exponential in the size of G). This means, using $\mathcal{G}(G)^c$, the question whether a winning strategy in G exists can still be answered in single exponential time [13]. In $\mathcal{G}(G)$ we must, for a newly reached node D' , test if it is equivalent to another, already existing, representative. This means we check for all symmetries $s \in \xi$ if $s(D')$ is already a node in the game. In the best case, if we directly find the node, this is 1 comparison. In the worst case, at step i with currently $|V^i|$ nodes, we must make $|\xi_N| |V^i|$ comparisons (no symmetric node is in the game so far). To get the canonical representation of a reached node in $\mathcal{G}(G)^c$, we must make less than $|\xi_N|$ comparisons to order the dynamic representation (cf. Cor. 1), and then compare it to all existing nodes. Thus, $|\xi_N| + 1$ comparisons in the best case vs. $|\xi_N| + |V^i|$ in the i -th step in the worst case. We further investigate experimentally on this in Sec. 5.

4.2 Direct Strategy Generation

The solving algorithm in [18] builds a strategy in the Petri game $G = L(G)$ from a strategy in $\mathcal{G}(G)$ by first generating a strategy in the low-level equivalent $\mathcal{G}(G)$. Constituting the canonical representations as nodes allows us to directly generate a winning strategy σ for the system players in G from a winning strategy f for player 0 in $\mathcal{G}(G)^c$ (cf. Fig. 1).

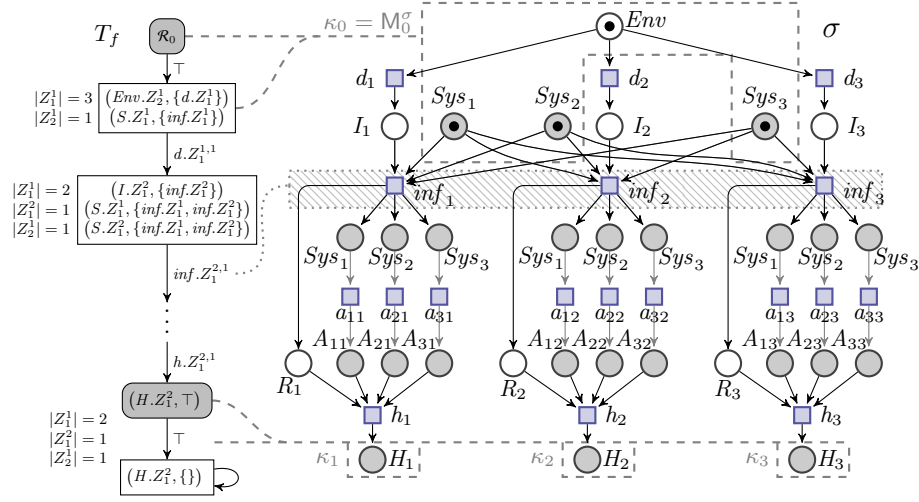


Fig. 4: Parts of a winning strategy for player 0 in $\mathcal{G}(G)^c$ (a tree with gray nodes for player 0), and the generated strategy for the system players in $L(G)$.

The key idea is the same as in [13]. The strategy f is interpreted as a tree T_f with labels in V , and root r_0 labeled with \mathcal{R}_0 . The tree is traversed in breadth-first order, while the strategy σ is extended with every reached node. To show that this procedure is correct, we must show that the generated strategy σ is satisfying the conditions justified refusal, determinism, and deadlock freedom. Justified refusal is satisfied because of the delay of environment transitions. Assuming nondeterminism or deadlocks in the generated strategy σ leads to the contradiction that there are respective decision sets in T_f . Finally, σ is *winning*, since f also does not reach representations that contain a bad place. For the detailed proof, cf. App. A.

Initially, the strategy σ contains places corresponding to the initial marking M_0 in the Petri game, i.e., places labeled with $p.c$ for every $p.c \in M_0$, each with a token on them. They constitute the initial marking M_0^σ of σ . Every node r in T_f , labeled with \mathcal{R} , is now associated with a set K_r of *cuts* – reachable markings in the strategy/unfolding. The set K_{r_0} , associated to the root r_0 , contains only the cut $\kappa_0 = M_0^\sigma$, the initial marking described above.

Every edge (r, r') in T_f corresponds to either a relation $\mathcal{R}[t.Z]\mathcal{R}'$ or $\mathcal{R}[\top]\mathcal{R}'$. Suppose now in the breadth-first traversal of T_f we reach a node r with label \mathcal{R} and associated cuts K_r . Further suppose there is an edge in T_f from r to a node r' labeled with \mathcal{R}' . If the edge (r, r') in T_f corresponds to a relation $\mathcal{R}[\top]\mathcal{R}'$ in G , then the node r' is associated to the same set of cuts $K_{r'} = K_r$ and nothing is added to the strategy. If the edge (r, r') in T_f corresponds to a relation $\mathcal{R}[t.Z]\mathcal{R}'$ in G and $\mathcal{R} \in V_0$, then there is, for every cut $\kappa \in K_r$, a transition $t.v$ corresponding to $t.Z$ that can be fired from κ (cf. Theorem 2). We add a transition labeled with $t.v$ to the strategy, with its preset in κ . Furthermore, we add places corresponding to its postset to the strategy. The cut κ' that results from firing

the new transition from κ is added to $K_{r'}$. If the edge (r, r') in T_f corresponds to a relation $\mathcal{R}[t.Z]\mathcal{R}'$ in G and $\mathcal{R} \in V_1$, then we proceed exactly as in the last case, but with the crucial difference that instead of *one* transition $t.v$ fireable from a cut $\kappa \in K_r$, we consider *all* such transition instances and add them to the strategy. In this step, the number of associated cuts can increase.

In Fig. 4, the strategy tree T_f (consisting of only one branch) in $\mathcal{G}(G)^c$ and the generated strategy σ in (the unfolding of) $L(G)$ for the running example G are depicted. The strategy σ was already informally described in Sec. 1 and partly shown in Fig. 3. The initial canonical representation \mathcal{R}_0 is associated to the cut representing the initial marking in the Petri game. The \top -resolution does not change the associated cuts. Firing $d.Z_1^{2,1}$ corresponds to the three firings of d_1 , d_2 , and d_3 in the strategy. Thus, the third canonical representation is associated to the three cuts $\{Sys_1, Sys_2, Sys_3, I_j\}$, $j = 1, 2, 3$. The strategy T_f terminates in the canonical representation at the bottom, which corresponds to the three situations where all computers connected to the correct host.

5 Experimental Results

In this section we investigate the impact of using *canonical representations* for solving the realizability problem of distributed systems modeled with high-level Petri games with one environment player, an arbitrary number of system players, a safety objective, and an underlying symmetric net.

A prototype [18] for generating the reduced state space of $\mathcal{G}(G)$ for such a high-level Petri game G shows a state space reduction by up to three orders of magnitude compared to $\mathcal{G}(L(G))$ (cf. Fig. 1) for the considered benchmark families [18]. For this paper we extended this prototype and implemented algorithms to obtain the same state space reduction by using canonical representations in $\mathcal{G}(G)^c$. Furthermore, we implemented a solving algorithm to exploit the reduced state space for the realizability problem of high-level Petri games. As a reference, we implemented an explicit approach which does not exploit any symmetries of the system. We applied our algorithms on the benchmark families presented in [18] and added a benchmark family for the running example introduced in this paper. An extract of the results for three of these benchmark families are given in Table 1. The complete results are in App. B.

The benchmark family *Client/Server (CS)* corresponds to the running example of the paper. With *Document Workflow (DW)* a cyclic document workflow between clerks is modeled. In this benchmark family the symmetries of the systems are only one rotation per clerk. In *Concurrent Machines (CM)* a hostile environment can destroy one of the machines processing the orders. Since each machine can only process one order, a positive realizability result is only obtained when the number of orders is smaller than the number of machines. In Table 1 we can see that for those benchmark families the extra effort of computing the canonical representations (Canon.) is worthwhile for most instances compared to the cost of checking the membership of a decision set in an equivalence class (Memb.). This is not the case for all benchmark families.

Table 1: Comparison of the run times of the *canonical* (*Canon.*) and *membership* (*Memb.*) approach solving the realizability problem (\checkmark/\times) for the 3 benchmark families *CS*, *DW*, *CM* with the number of states $|V|$ and number of symmetries $|\xi|$. A gray number of states $|V|$ for the *explicit reference approach* indicates a timeout. Results are obtained on an AMD Ryzen™ 7 3700X CPU, 4.4 GHz, 64 GB RAM and a timeout (TO) of 30 minutes. The run times are in seconds.

<i>CS</i>	$ V $	$ \xi $	$ V $	$ \xi $	Memb.	Canon.	<i>CM</i>	$ V $	$ \xi $	$ V $	$ \xi $	Memb.	Canon.
1	21	\checkmark	21	1	.38	.36	2/1	155	\checkmark	79	2	.49	.52
2	639	\checkmark	326	2	.63	.64	2/2	2883	\times	760	4	1.07	1.08
3	45042	\checkmark	7738	6	5.20	6.05	2/3	58501	\times	5548	12	4.38	5.94
4	<i>7.225e6</i>	\checkmark	3.100e5	24	151.62	148.08	2/4	<i>1.437e6</i>	\times	33250	48	15.12	14.40
5	<i>3.154e9</i>	-	-	120	TO	TO	2/5	<i>3.419e7</i>	\times	1.701e5	240	296.05	185.81
							2/6	<i>8.376e8</i>	-	-	1440	TO	TO
							3/1	702	\checkmark	147	6	.71	.58
<i>DW</i>	$ V $	$ \xi $	$ V $	$ \xi $	Memb.	Canon.							
1	57	\checkmark	57	1	.40	.39	3/2	45071	\checkmark	4048	12	4.46	4.99
2	457	\checkmark	241	2	.67	.62	3/3	<i>3.431e6</i>	\times	91817	36	89.35	49.90
	3/4	<i>2.622e8</i>	-	-	144	TO	TO
7	<i>4.055e6</i>	\checkmark	5.793e5	7	100.67	75.24	4/1	2917	\checkmark	239	24	1.24	1.42
8	<i>2.097e7</i>	\checkmark	2.621e6	8	986.77	671.04	4/2	<i>6.587e5</i>	\checkmark	16012	48	25.42	14.09
9	<i>1.053e8</i>	-	-	9	TO	TO	4/3	<i>1.546e8</i>	-	-	144	TO	TO

In Fig. 5 we have plotted the instances of all benchmark families according to their number of symmetries and states. The color of the marker shows the percentaged in- or decrease in performance when using canonical representations while solving high-level Petri games. Blue (unhatched) indicates a performance gain when using the canonical approach. This shows that the benchmarks in general benefit from the canonical approach for an increasing number of states (the right blue (unhatched) area). However, the *DWs* benchmark (a simplified version of *DW*) exhibits the opposite behavior. This is most likely explained by the very simple structure, which favors a quick member check.

The algorithms are integrated in ADAMSYNT³ [11], open source, and available online⁴. Additionally, we created an artifact with the current version running in a virtual machine for reproducing and checking all experimental data with provided scripts⁵.

6 Related Work

For the synthesis of distributed systems other approaches are most prominently the Pnueli/Rosner model [30] and Zielonka’s asynchronous automata [34]. The synchronous setting of Pnueli/Rosner is in general undecidable [30], but some interesting architectures exist that have a decision procedure with nonelementary complexity [32,26,15]. For asynchronous automata, the decidability of the control problem is open in general, but again there are several interesting cases which have a decision procedure with nonelementary complexity [16,29,28].

³<https://github.com/adamtool/adamsynt>

⁴<https://github.com/adamtool/highlevel>

⁵<https://doi.org/10.6084/m9.figshare.13697845>

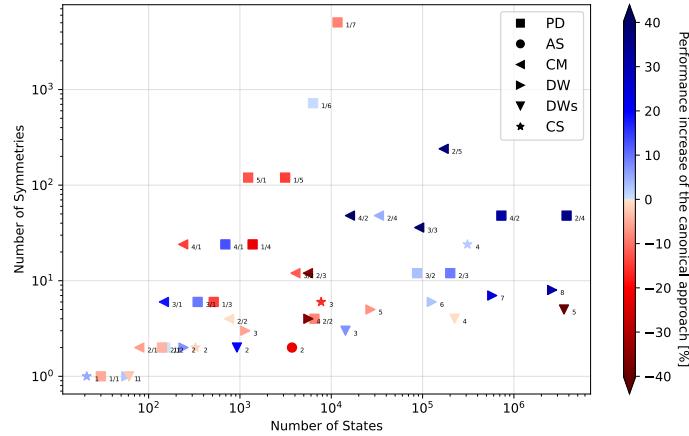


Fig. 5: Comparing the percentage performance gain of the canonical and the membership approach with respect to the number of states and symmetries of the input problem for the benchmark families *Package Delivery (PD)*, *Alarm System (AS)*, *CM*, *DW*, *DWs*, *CS*. Labels are the parameters of the benchmark. A blue (unhatched) marker indicates a performance increase when using canonical representations.

Petri games based on P/T Petri nets are introduced in [12,13]. Solving unbounded Petri games is in general undecidable. However, for Petri games with one environment player, a bounded number of system players, and a safety objective the problem is EXPTIME-complete. The same complexity result holds for interchanged players [14]. High-level Petri games have been introduced in [17]. In [18], such Petri games are solved while exploiting symmetries.

The symbolic Büchi game is inspired by the symbolic reachability graph for high-level nets from [5], and the calculation of canonical representatives [4] from [6]. There are several works on how to obtain symmetries of different subclasses of high-level Petri nets efficiently [9,4,6,27] and for efficiency improvements for systems with different degrees of symmetrical behavior [22,1,2].

7 Conclusions and Outlook

We presented a new construction for the synthesis of distributed systems modeled by high-level Petri games with one environment player, an arbitrary number of system players, and a safety objective. The main idea is the reduction to a symbolic two-player Büchi game, in which the nodes are equivalence classes of symmetric situations in the Petri game. This leads to a significant reduction of the state space. The novelty of this construction is to obtain the reduction by introducing canonical representations. To this end, a theoretically cheaper construction of the Büchi game can be obtained depending on the input system. Additionally, the representations now allow to skip the inflated generation of

an explicit Büchi game strategy and to directly generate a Petri game strategy from the symbolic Büchi game strategy. Our implementation, applied on six structurally different benchmark families, shows in general a performance gain in favor of the canonical representatives for larger state spaces.

In future work, we plan to integrate the algorithms in AdamWEB [19], a web interface⁶ for the synthesis of distributed systems, to allow for an easy insight in the symbolic games and strategies. Furthermore, we want to continue our investigation on the benefits of canonical representations, e.g., to directly generate high-level representations of Petri game strategies that match the given high-level Petri game.

References

1. Baarir, S., Haddad, S., Ilić, J.: Exploiting partial symmetries in well-formed nets for the reachability and the linear time model checking problems. In: Proc. WODES 2004. pp. 219–224 (2004), [https://doi.org/10.1016/S1474-6670\(17\)30749-8](https://doi.org/10.1016/S1474-6670(17)30749-8)
2. Bellettini, C., Capra, L.: A quotient graph for asymmetric distributed systems. In: Proc. MASCOTS 2004. pp. 560–568 (2004), <https://doi.org/10.1109/MASCOT.2004.1348313>
3. Bloem, R., Galler, S.J., Jobstmann, B., Piterman, N., Pnueli, A., Weiglhofer, M.: Interactive presentation: Automatic hardware synthesis from specifications: a case study. In: Proc. DATE 2007. pp. 1188–1193 (2007), <https://dl.acm.org/citation.cfm?id=1266622>
4. Chiola, G., Dutheillet, C., Franceschinis, G., Haddad, S.: On well-formed coloured nets and their symbolic reachability graph. In: Jensen, K., Rozenberg, G. (eds.) High-level Petri Nets: Theory and Application, pp. 373–396. Springer (1991), https://doi.org/10.1007/978-3-642-84524-6_13
5. Chiola, G., Dutheillet, C., Franceschinis, G., Haddad, S.: A symbolic reachability graph for coloured Petri nets. *Theor. Comput. Sci.* **176**(1-2), 39–65 (1997), [https://doi.org/10.1016/S0304-3975\(96\)00010-2](https://doi.org/10.1016/S0304-3975(96)00010-2)
6. Chiola, G., Dutheillet, C., Franceschinis, G., Haddad, S.: Stochastic well-formed colored nets and symmetric modeling applications. *IEEE Trans. Computers* **42**(11), 1343–1360 (1993), <https://doi.org/10.1109/12.247838>
7. Church, A.: Applications of recursive arithmetic to the problem of circuit synthesis. In: *Summaries of the Summer Institute of Symbolic Logic*. vol. 1, pp. 3–50. Cornell Univ., Ithaca, NY (1957)
8. Clarke, E.M., Emerson, E.A., Jha, S., Sistla, A.P.: Symmetry reductions in model checking. In: Proc. CAV 1998. pp. 147–158. LNCS1427 (1998), <https://doi.org/10.1007/BFb0028741>
9. Dutheillet, C., Haddad, S.: Regular stochastic Petri nets. In: Proc. Petri Nets (ICATPN) 1990. pp. 186–209 (1989), https://doi.org/10.1007/3-540-53863-1_26
10. Esparza, J., Heljanko, K.: *Unfoldings - A Partial-Order Approach to Model Checking*. EATCS Monographs in Theoretical Computer Science, Springer (2008). <https://doi.org/10.1007/978-3-540-77426-6>

⁶<http://adam.informatik.uni-oldenburg.de/>

11. Finkbeiner, B., Giesekeing, M., Olderog, E.: Adam: Causality-based synthesis of distributed systems. In: Proc. CAV 2015, Part I. pp. 433–439. LNCS9206 (2015), https://doi.org/10.1007/978-3-319-21690-4_25
12. Finkbeiner, B., Olderog, E.: Petri games: Synthesis of distributed systems with causal memory. In: Proc. GandALF 2014. pp. 217–230. EPTCS161 (2014), <https://doi.org/10.4204/EPTCS.161.19>
13. Finkbeiner, B., Olderog, E.: Petri games: Synthesis of distributed systems with causal memory. *Inf. Comput.* **253**, 181–203 (2017), <https://doi.org/10.1016/j.ic.2016.07.006>
14. Finkbeiner, B., Gözl, P.: Synthesis in distributed environments. In: Proc. FSTTCS 2017. pp. 28:1–28:14 (2017), <https://doi.org/10.4230/LIPIcs.FSTTCS.2017.28>
15. Finkbeiner, B., Schewe, S.: Uniform distributed synthesis. In: Proc. LICS 2005. pp. 321–330 (2005), <https://doi.org/10.1109/LICS.2005.53>
16. Genest, B., Gimbert, H., Muscholl, A., Walukiewicz, I.: Asynchronous games over tree architectures. In: Proc. ICALP 2013, Part II. pp. 275–286. LNCS7966 (2013), https://doi.org/10.1007/978-3-642-39212-2_26
17. Giesekeing, M., Olderog, E.: High-level representation of benchmark families for Petri games. CoRR [abs/1904.05621](https://arxiv.org/abs/1904.05621) (2019), <http://arxiv.org/abs/1904.05621>
18. Giesekeing, M., Olderog, E., Würdemann, N.: Solving high-level Petri games. *Acta Inf.* **57**(3-5), 591–626 (2020), <https://doi.org/10.1007/s00236-020-00368-5>
19. Giesekeing, M., Hecking-Harbusch, J., Yanich, A.: A web interface for Petri nets with transits and Petri games. In: Proc. TACAS 2021 (2021), <https://uol.de/f/2/dept/informatik/ag/csd/pub/GHY21.pdf>, to appear
20. Giesekeing, M., Würdemann, N.: Canonical representations for direct generation of strategies in high-level petri games. In: Proc. Petri Nets (ICATPN) 2021 (2021), to appear
21. Grädel, E., Thomas, W., Wilke, T. (eds.): Automata, Logics, and Infinite Games. LNCS2500, Springer (2002), <https://doi.org/10.1007/3-540-36387-4>
22. Haddad, S., Ilić, J., Taghelit, M., Zouari, B.: Symbolic reachability graph and partial symmetries. In: Proc. Petri Nets (ICATPN) 1995. pp. 238–257 (1995), https://doi.org/10.1007/3-540-60029-9_43
23. Hillah, L., Kordon, F., Petrucci-Dauchy, L., Trèves, N.: PN standardisation: A survey. In: Proc. FORTE 2006. pp. 307–322. LNCS4229 (2006), https://doi.org/10.1007/11888116_23
24. Jensen, K.: Coloured Petri Nets - Basic Concepts, Analysis Methods and Practical Use - Volume 1. EATCS Monographs on Theoretical Computer Science, Springer (1992), <https://doi.org/10.1007/978-3-662-06289-0>
25. Kress-Gazit, H., Fainekos, G.E., Pappas, G.J.: Temporal-logic-based reactive mission and motion planning. *IEEE Trans. Robotics* **25**(6), 1370–1381 (2009), <https://doi.org/10.1109/TR0.2009.2030225>
26. Kupferman, O., Vardi, M.Y.: Synthesizing distributed systems. In: Proc. LICS 2001. pp. 389–398 (2001), <https://doi.org/10.1109/LICS.2001.932514>
27. Lindquist, M.: Parameterized reachability trees for predicate/transition nets. In: Proc. Petri Nets (ICATPN) 1991. pp. 301–324 (1991), https://doi.org/10.1007/3-540-56689-9_49
28. Madhusudan, P., Thiagarajan, P.S., Yang, S.: The MSO theory of connectedly communicating processes. In: Proc. FSTTCS 2005. pp. 201–212. LNCS3821 (2005), https://doi.org/10.1007/11590156_16
29. Muscholl, A., Walukiewicz, I.: Distributed synthesis for acyclic architectures. In: Raman, V., Suresh, S.P. (eds.) Proc. FSTTCS 2014. pp. 639–651. LIPIcs29 (2014), <https://doi.org/10.4230/LIPIcs.FSTTCS.2014.639>

30. Pnueli, A., Rosner, R.: Distributed reactive systems are hard to synthesize. In: Proc. FOCS. pp. 746–757. IEEE Computer Society Press (1990), <https://doi.org/10.1109/FSCS.1990.89597>
31. Reisig, W.: Petri Nets: An Introduction, EATCS Monographs on Theoretical Computer Science, vol. 4. Springer (1985), <https://doi.org/10.1007/978-3-642-69968-9>
32. Rosner, R.: Modular Synthesis of Reactive Systems. Ph.D. thesis, Weizmann Institute of Science, Rehovot, Israel (1992)
33. Starke, P.H.: Reachability analysis of Petri nets using symmetries. Syst. Anal. Model. Simul. **8**(4–5), 293–303 (Aug 1991)
34. Zielonka, W.: Asynchronous automata. In: Diekert, V., Rozenberg, G. (eds.) The Book of Traces, pp. 205–247. World Scientific (1995), https://doi.org/10.1142/9789814261456_0007

Appendix

A Proofs

In this appendix, we give the proofs of the lemmas and theorems in the paper. In the main body we omitted the partition of basic color classes into so called *static subclasses* $C_i = \bigcup_{q=1}^{n_i} C_{i,q}$ in a symmetric net N . The proofs will take this more general case into account.

The symmetries are restricted because they must respect the partition, i.e., $\forall s \in \xi_N : s_i(C_{i,q}) = C_{i,q}$. A representation $\mathcal{R} = (\mathcal{C}, \mathcal{D})$ of a symbolic decision set is equipped with a function *stat* that assigns each dynamic subclass $Z_i^j \in \mathcal{C}$ a static subclass $C_{i,q}$, i.e., $\text{stat}(Z_i^j) = q \in \{1, \dots, n_i\}$. The function satisfies $j < k \Rightarrow \text{stat}(Z_i^j) < \text{stat}(Z_i^k)$ (i.e., the dynamic subclasses are grouped by assigned static subclass). With the condition $\forall i, q : \sum_{\text{stat}(Z_i^j)=q} |Z_i^j| = |C_{i,q}|$, each valid assignment of values to the variables in the dynamic subclasses gives a partition of the static subclasses $C_{i,q}$. A valid assignment is a function $va : \bigcup_{i=1}^n C_i \rightarrow \mathcal{C}$ that maps colors $c \in C_i$ to dynamic subclasses Z_i^j and is consistent with the static subclasses (function *stat*), and cardinality of colors and dynamic subclasses.

A permutation of the dynamic subclasses is a tuple $\rho = (\rho_1, \dots, \rho_n)$ of permutations on $\{Z_i^j \mid 1 \leq j \leq n_i\}$ that respects the function *stat*, i.e., $\text{stat}(Z_i^j) = \text{stat}(\rho_i(Z_i^j))$. We apply a permutation to a representation $\mathcal{R} = (\mathcal{C}, \mathcal{D})$ by keeping \mathcal{C} and replacing every occurrence of Z_i^j in \mathcal{D} by $\rho_i(Z_i^j)$, and changing the cardinality $|Z_i^j|$ accordingly. The function *stat* does not change. We denote the new representation by $\rho(\mathcal{R})$.

Lemma 1 states that minimal representations are unique up to a permutation. In the general case, minimal representations contain no two subclasses Z_i^j, Z_i^k such that $\text{stat}(Z_i^j) = \text{stat}(Z_i^k)$ and $\text{con}(Z_i^j) = \text{con}(Z_i^k)$ (such dynamic subclasses can be merged).

Proof (Lemma 1). It follows directly from the definition that if \mathcal{R} is minimal, so is $\rho(\mathcal{R})$ for any permutation ρ . Let now \mathcal{R} and \mathcal{R}' be two minimal representations

of the same symbolic decision set. We show there is a permutation between \mathcal{R} and \mathcal{R}' . There exist two corresponding representations \mathcal{R}_p and \mathcal{R}'_p , where all dynamic subclasses are split into dynamic subclasses of cardinality 1. This means that \mathcal{R} can be reached from \mathcal{R}_p by merging all subclasses $Z_i^{j_1}, \dots, Z_i^{j_N}$ such that each pair $Z_i^{j_k}, Z_i^{j_\ell}$ satisfies $\text{stat}(Z_i^{j_k}) = \text{stat}(Z_i^{j_\ell}) \wedge \text{con}(Z_i^{j_k}) = \text{con}(Z_i^{j_\ell})$, and analogously for \mathcal{R}' and \mathcal{R}'_p . All representations of a fixed symbolic decision set that only contain dynamic subclasses of cardinality 1 can trivially transformed into each other by a permutation. Furthermore, we can pick a permutation ρ from \mathcal{R}_p to \mathcal{R}'_p such that if $Z_i^{j_k}$ and $Z_i^{j_\ell}$ are merged in \mathcal{R}_p , then $\rho(Z_i^{j_k})$ and $\rho(Z_i^{j_\ell})$ are merged in \mathcal{R}'_p . This implies a corresponding permutation between \mathcal{R} and \mathcal{R}' .

Now that we proved that minimal representations are unique up to a permutation, the next task is to prove that ordering a minimal representation makes it unique, and we can therefore speak of a canonical representation. This is formally stated in Theorem 1. To prove the theorem, we introduce Lemma 2. It states that if two representations are ordered and equivalent (i.e., can be reached from another via a permutation), then they have the same symbolic decision set \mathcal{D} .

Lemma 2. *Let $\mathcal{R}_1 = (\mathcal{C}_1, \mathcal{D}_1)$ and $\mathcal{R}_2 = (\mathcal{C}_2, \mathcal{D}_2)$ be two ordered representations of the same symbolic decision set, and ρ be a permutation such that $\mathcal{R}_2 = \rho(\mathcal{R}_1)$. Then $\mathcal{D}_1 = \mathcal{D}_2$.*

Proof (Lemma 2). We denote the matrix of a representation \mathcal{R}_i by mat_i . Since \mathcal{R}_1 is ordered, ρ cannot transform mat_1 into a (lexicographically) smaller matrix. Aiming a contradiction, assume that ρ transforms mat_1 into a bigger matrix $\rho(\text{mat}_1)$. Since $\rho(\text{mat}_1) = \text{mat}_2$, this would mean that ρ^{-1} transforms mat_2 into a smaller matrix, implying that \mathcal{R}_2 is not ordered. Contradiction. Therefore, $\text{mat}_1 = \rho(\text{mat}_1) = \text{mat}_2$. Since mat_i is just another presentation of \mathcal{D}_i , we follow $\mathcal{D}_1 = \mathcal{D}_2$.

Now we are equipped with all tools to prove Theorem 1, which states that there is exactly one minimal and ordered representation for each symbolic decision set.

Proof (Theorem 1). The statement follows from Lemma 1 and Lemma 2. Let $\mathcal{R}_1 = (\mathcal{C}_1, \mathcal{D}_1)$ and $\mathcal{R}_2 = (\mathcal{C}_2, \mathcal{D}_2)$ be two minimal and ordered representations of the same symbolic decision set. Lemma 1 gives us that there is a permutation ρ such that $\mathcal{R}_2 = \rho(\mathcal{R}_1)$. Then we have by Lemma 2 that $\mathcal{D}_1 = \mathcal{D}_2$. This means for all Z_i^j that $\text{con}_1(Z_i^j) = \text{con}_2(\rho_i(Z_i^j))$ (con_i is the context in \mathcal{D}_i). ρ is a permutation, so by definition $\text{stat}(\rho_i(Z_i^j)) = \text{stat}(Z_i^j)$. \mathcal{R}_1 is minimal, therefore it must hold that $\rho_i(Z_i^j) = Z_i^j$, else we could merge the subclasses $\rho_i(Z_i^j)$ and Z_i^j . This holds for all i, j , such that we finally have $\forall i : \rho_i = \text{id}_{\{Z_i^j \mid 1 \leq j \leq m_i\}}$ and therefore, $\mathcal{R}_1 = \rho(\mathcal{R}_1) = \mathcal{R}_2$.

Theorem 2 states that each relation between two decision sets is represented by exactly one relation between the corresponding canonical representations of the symbolic decision sets.

Proof (Theorem 2). Consider the valid assignment $va_D : \bigcup_{i=1}^n C_i \rightarrow \mathcal{C}$ with $\mathcal{R} = (\mathcal{C}, \mathcal{D})$ and $va_D^{-1}(D) = D$. Applying va_D to a valuation v gives a tuple of dynamic subclasses in \mathcal{C} . Splitting the contained elements in this tuple into dynamic subclasses $Z_i^{j,k}$ of cardinality 1 with respect to the different colors in v , gives a tuple Z of instantiated subclasses. This splitting is possible since va_D is valid. In the firing of $t.Z$, the dynamic subclasses replace colors, which means that the reached dynamic representation represents the symbolic decision set of D' . Making it canonical therefore results in \mathcal{R}' . Assuming that $D[t.v]D'$ is represented by two different symbolic relations $\mathcal{R}[t.Z]\mathcal{R}'$ and $\mathcal{R}[t.Z']\mathcal{R}'$ contradicts the fact that \mathcal{R} is ordered. The proof for the \top -resolution follows analogously.

Theorem 3 states that the existence of a winning strategy for the system players in a game $G = L(G)$ is equivalent to the existence of a winning strategy for player 0 in the two-player Büchi game $\mathcal{G}(G)^c$.

Proof (Theorem 3). This theorem follows directly from the fact that the game $\mathcal{G}(G)^c$ is built exactly as the game $\mathcal{G}(G)$ in [18], with the difference that the nodes are now canonical representations instead of arbitrary representatives of symbolic decision sets (cf. Fig. 1).

Theorem 3 only states the equivalence of existence of strategies in the games. We now prove that the algorithm for generating strategies is correct. For the sake of completion we formally introduce Petri net unfoldings and strategies in Petri games **(1)**. Then we give a more detailed version of the algorithm presented in Sec. 4 **(2b)**, taking the general case (partition of basic color classes) into account. For this, we first formally define the relations between canonical representations that the game is built from **(2a)**. Finally, we prove the correctness of the algorithm **(3)**.

(1) First, we must define concurrency and conflicts in Petri nets. Consider a Petri net $N = (P, T, F, M_0)$ and two nodes $x, y \in P \cup T$. We write $x < y$, and call x *causal predecessor* of y , if xF^+y . Additionally, we write $x \leq y$ if $x < y$ or $x = y$, and call x and y *causally related* if $x \leq y$ or $y \leq x$. The nodes x and y are said to be *in conflict*, denoted by $x\sharp y$, if $\exists p \in P \exists t_1 \neq t_2 \in post(p) : t_1 \leq x \wedge t_2 \leq y$. Two nodes are called *concurrent*, if they are neither in conflict, nor causally related. A set $X \subseteq P \cup T$ is called concurrent, if each two elements in X are concurrent.

N is called an *occurrence net* if: i) every place has at most one transition in its preset, i.e., $\forall p \in P : |pre(p)| \leq 1$; ii) no transition is in self conflict, i.e., $\forall t \in T : \neg(t\sharp t)$; iii) no node is its own causal predecessor, i.e., $\forall x \in P \cup T : \neg(x < x)$; iv) the initial marking contains exactly the places with no transition in their preset, i.e., $M_0 = \{p \in P \mid pre(p) = \emptyset\}$. An occurrence net is called a *causal net* if additionally v) from every place there is at most one outgoing transition, i.e., $\forall p \in P : |post(p)| \leq 1$.

For a superscripted net N^x , we implicitly also equip its components with the superscript, i.e., $N^x = (P^x, T^x, F^x, M_0^x)$, as well as the corresponding pre- and postset function $pre^x, post^x$. Let N and N' be two Petri nets. A function $h : P \cup T \rightarrow P' \cup T'$ is called a *Petri net homomorphism*, if: i) it maps places and transitions in N into the corresponding sets in N' , i.e., $\forall p \in P : h(p) \in P' \wedge$

$\forall t \in T : h(t) \in T'$; ii) it maps the pre- and postset correspondingly, i.e., $\forall t \in T : pre'(h(t)) = h(pre(t)) \wedge post'(h(t)) = h(post(t))$. The homomorphism is called *initial* if additionally iii) it maps the initial marking of N to the initial marking of N' , i.e., $h(M_0) = M'_0$.

A(n *initial*) *branching process* $\beta = (N^U, \lambda^U)$ of N consists of an occurrence net N^U and a(n initial) homomorphism $\lambda^U : P^U \cup T^U \rightarrow P \cup T$ that is injective on transitions with same preset, i.e., $\forall t_1, t_2 \in T^U : (pre^U(t_1) = pre^U(t_2) \wedge \lambda^U(t_1) = \lambda^U(t_2)) \Rightarrow t_1 = t_2$. If $\beta_R = (N^R, \rho)$ is an initial branching process of N with a causal net N^R , β_R is called an *initial (concurrent) run of N* . A run formalizes a single concurrent execution of the net. For two branching processes $\beta = (N^U, \lambda^U)$ and $\beta' = (N^V, \lambda^V)$ we call β a *subprocess* of β' , if i) N^U is a *subnet* of N^V , i.e., $P^U \subseteq P^V, T^U \subseteq T^V, F^U \subseteq F^V, M_0^U = M_0^V$; ii) λ^V acts on $P^U \cup T^U$ as λ^U does, i.e., $\lambda^V|_{P^U \cup T^U} = \lambda^U$.

A branching process $\beta = (N^U, \lambda^U)$ is called an *unfolding of N* , if for every transition that can occur in the net, there is a transition in the unfolding with corresponding label, i.e., $\forall t \in T \forall X \subseteq P^U : X \text{ concurrent} \wedge pre(t) = \lambda^U(X) \Rightarrow \exists t^U \in T^U : \lambda^U(t^U) = t \wedge pre^U(t^U) = X$. The unfolding of a net is unique up to isomorphism. The unfolding of a Petri game $G = (P_S, P_E, T, F, M_0, P_B)$ with underlying net N is the unfolding of N , where the distinction of system-, environment-, and bad places is lifted to the branching process: $P_S^U = \{p \in P^U \mid \lambda^U(p) \in P_S\}$, $P_E^U = \{p \in P^U \mid \lambda^U(p) \in P_E\}$, and $P_B^U = \{p \in P^U \mid \lambda^U(p) \in P_B\}$.

A *strategy* for the system players in G is a subprocess $\sigma = (N^\sigma, \lambda^\sigma)$ of the unfolding of G satisfying the following conditions:

Justified refusal: If a transition is forbidden in the strategy, then a system player in its preset uniformly forbids all occurrences in the strategy, i.e., $\forall t \in T^U : (t \notin T^\sigma \wedge pre^U(t) \subseteq P^\sigma) \Rightarrow (\exists p \in pre^U(t) \cap P_S^\sigma \forall t' \in post^U(p) : \lambda^U(t') = \lambda^U(t) \Rightarrow t' \notin T^\sigma)$. This also implies that no pure environment transition is forbidden.

Determinism: In no reachable marking (cut) in the strategy does a system player allow two transitions in his postset that are both enabled, i.e., $\forall p \in P_S^\sigma \forall M \in \mathcal{R}(N^\sigma) : p \in M \Rightarrow \exists^{\leq 1} t \in post^\sigma(p) : M[t]$. The set $\mathcal{R}(N^\sigma)$ are all reachable markings in the strategy.

Deadlock freedom: Whenever the system can proceed in G , the strategy must also give the possibility to continue, i.e., $\forall M \in \mathcal{R}(N^\sigma) : (\exists t \in T^U : M[t]) \Rightarrow \exists t' \in T^\sigma : M[t']$.

An initial concurrent run $\pi = (N^R, \rho)$ of the underlying net N of a Petri game G is called a *play* in G . The play π *conforms* to σ if it is a subprocess of σ . The system players win π if $P_B^R = \emptyset$, otherwise the environment players win π . The strategy σ is called *winning*, if all plays that conform to σ are won by the system players. This is equivalent to $P_B^\sigma = \emptyset$.

(2a) We give more in-depth details on the generation of a Petri game strategy σ from a Büchi game strategy f . Since the edges in $\mathcal{G}(G)^c$ are built from relations $\mathcal{R}[T]\mathcal{R}'$ and $\mathcal{R}[t.Z]\mathcal{R}'$ between canonical representations $\mathcal{R}, \mathcal{R}'$, we first have to explain these relations more formally than in the main body of the paper.

With the canonical representations of symbolic decision sets, we must also adapt the relations between these objects, namely the transition firing and the

\top -resolution. For that, we now introduce symbolic versions of these relations. In the *symbolic transition firing*, we consider *symbolic instances* of a transition t , where the parameters are assigned elements in dynamic subclasses instead of specific colors in basic color classes. For a representation \mathcal{R} we group the dynamic subclasses by $\forall 1 \leq i \leq n : \mathcal{C}_i = \{Z_i^j \mid 1 \leq j \leq m_i\}$. For a transition $t \in T$ we then define $Val_{\mathcal{R}}(t) = \mathcal{C}_1^{t_1} \times \dots \times \mathcal{C}_n^{t_n}$ (analogously to $Val(t) = C_1^{t_1} \times \dots \times C_n^{t_n}$). The instance of the x -th parameter of type \mathcal{C}_i in $Val_{\mathcal{R}}(t)$ can be specified by a pair $(\varphi_i(x), \psi_i(x)) = (j, k)$, meaning that the parameter represents the k -th (arbitrarily chosen) element of Z_i^j . Since we maximally have $|Z_i^j|$ different instances of Z_i^j , $k < |Z_i^j|$ must hold. Furthermore, k must be less than the number of parameters instantiated to Z_i^j . A *symbolic mode* $[\varphi, \psi]$ of t is defined by two families of functions $\varphi = \{\varphi_i : \{1, \dots, t_i\} \rightarrow \mathbb{N}^+\}$ and $\psi = \{\psi_i : \{1, \dots, t_i\} \rightarrow \mathbb{N}^+\}$ satisfying the conditions above. We denote $Z^{[\varphi, \psi]} = ((Z_i^{\varphi_i(x), \psi_i(x)})_{x=1}^{t_i})_{i=1}^n$, and $t.Z^{[\varphi, \psi]}$ is called a *symbolic instance* of t .

To fire a symbolic instance $t.Z^{[\varphi, \psi]}$ from a representation $\mathcal{R} = (\mathcal{C}, \mathcal{D})$, we have to *split* the dynamic subclasses Z_i^j such that the (by φ_i and ψ_i) instantiated elements are represented by new subclasses $Z_i^{j,k}$ of cardinality 1. The possibly remaining (non-instantiated) elements are collected in the additional subclass $Z_i^{j,0}$. The new dynamic decision set can be naturally derived from \mathcal{D} : since the subclasses Z_i^j are split into $\{Z_i^{j,k}\}_k$, every tuple $(p.Z, \mathcal{C}) \in \mathcal{D}$ in which the original subclasses appeared is replaced by all possible tuples containing the new subclasses instead. This *split representation* is denoted by $\mathcal{R}[\varphi, \psi]$.

A symbolic instance $t.Z^{[\varphi, \psi]}$ can be *fired* from the representation $\mathcal{R}[\varphi, \psi] =: \mathcal{R}_s = (\mathcal{C}_s, \mathcal{D}_s)$ analogously to the ordinary case $D[t.c]$ with the dynamic subclasses $Z_i^{j,k}$ replacing the explicit colors $c \in C_i$ in guards and arc expressions. This leads to a new representation \mathcal{R}'_s with same dynamic subclasses $\mathcal{C}'_s = \mathcal{C}_s$ and the dynamic decision set \mathcal{D}'_s that results from firing $t.Z^{[\varphi, \psi]}$ from \mathcal{D}_s (w.r.t the flow function F). Finally, the canonical representation \mathcal{R}' of \mathcal{R}'_s is found. The symbolic firing is denoted by $\mathcal{R}[t.Z^{[\varphi, \psi]}]$ and can be described by

$$\mathcal{R} \xrightarrow{\text{splitting w.r.t } [\varphi, \psi]} \mathcal{R}_s \xrightarrow{\text{firing } t.Z^{[\varphi, \psi]}} \mathcal{R}'_s \xrightarrow{\text{canon. rep.}} \mathcal{R}'.$$

The symbolic instances of a transition t form a partition of the regular instances $t.c$, $c \in Val(t)$.

The idea of *symbolic \top -resolution* is similar to the symbolic firing. A canonical representation which contains a tuple $(p.Z, \top)$ is partitioned into a finer representation. The symbol \top gets resolved as before, and finally, the new canonical representation is built. Partitioning is a more general case of splitting. While in the $\mathcal{R}[\varphi, \psi]$ only dynamic subclasses of cardinality 1 are split off, the *partitions* \mathcal{R}_p of a representation \mathcal{R} are exactly the representations from which \mathcal{R} can be reached by merging dynamic subclasses.

This gives, for a canonical representation \mathcal{R} , that $\mathcal{R}[\top]$ iff $\exists (p.Z, \top) \in \mathcal{D}$, and $\mathcal{R}[\top] \mathcal{R}'$ iff there is a partition \mathcal{R}_p of \mathcal{R} such that \mathcal{R}' is the canonical representation of \mathcal{R}'_p . In \mathcal{R}'_p the dynamic subclasses are copied from \mathcal{R}_p , and in \mathcal{D}'_p every $(p.Z, \top) \in \mathcal{D}_p$ chooses a new commitment set \mathcal{C} . The symbolic \top -resolution is

denoted by $\mathcal{R}[\top]\mathcal{R}'$ and can be described by

$$\mathcal{R} \xrightarrow{\text{partitioning}} \mathcal{R}_p \xrightarrow{\top\text{-resolution}} \mathcal{R}'_p \xrightarrow{\text{canon. rep.}} \mathcal{R}'.$$

(2b) Now we describe the algorithm: Initially, the strategy σ contains places corresponding to the initial marking M_0 in the Petri game, i.e., places labeled with $p.c$ for every $p.c \in M_0$, each with a token on them. They constitute the initial marking of σ . Every node r in T_f , labeled with $\mathcal{R} = (\mathcal{C}, \mathcal{D})$, is now associated to a set K_r of *cuts* – reachable markings in the strategy/unfolding. The set K_{r_0} , associated to the root r_0 , contains only the cut κ_0 consisting of the places in the initial marking described above. Every cut κ is equipped with a valid assignment va_κ that maps κ to places in the dynamic decision set \mathcal{D} . Every edge (r, r') in T_f corresponds to an edge $(\mathcal{R}, \mathcal{R}')$ in $\mathcal{G}(G)^c$, and the edges there again can correspond to either relations $\mathcal{R}[t.Z^{[\varphi, \psi]}\mathcal{R}'$ or $\mathcal{R}[\top]\mathcal{R}'$.

Suppose in the breadth-first traversal of T_f we reach a node r with label \mathcal{R} and set of associated cuts K_r . Further suppose there is an edge in T_f from r to a node r' labeled with \mathcal{R}' . From there, we distinguish three cases:

1) The edge (r, r') in T_f corresponds to a relation $\mathcal{R}[\top]\mathcal{R}'$ in G . As we know, this can be depicted as $\mathcal{R} \xrightarrow{\text{partition } \phi} \mathcal{R}_p \xrightarrow{\top\text{-resolution}} \mathcal{R}'_p \xrightarrow{\text{canon. rep.}} \mathcal{R}'$. We now describe how K_r changes in these three steps. In the first step, the partition \mathcal{R}_p , there is a family ϕ of functions $\phi_i : (\mathcal{C}_p)_i \rightarrow \mathcal{C}_i$ describing the partition. For every $(\kappa, va_\kappa) \in K_r$, we change the assignment to a function $va'_\kappa : \bigcup_i \mathcal{C}_i \rightarrow \mathcal{C}_p$ such that $va_\kappa = \phi \circ va'_\kappa$. In the second step, the resolution of \top , the set K_r does not change (and we now denote $va'_\kappa : \bigcup_i \mathcal{C}_i \rightarrow \mathcal{C}'_p$). For the third step (the canonical representation) there again is a partition function $\phi' : \mathcal{C}'_p \rightarrow \mathcal{C}'$. We again change the assignment for every cut κ to $va''_\kappa = \phi' \circ va'_\kappa$. Finally we assign to node r' the set $K_{r'} = \{(\kappa, va''_\kappa) \mid (\kappa, va_\kappa) \in K_r\}$.

2) The edge (r, r') in T_f corresponds to a relation $\mathcal{R}[t.Z^{[\varphi, \psi]}\mathcal{R}'$ in G and t is an system transition. The relation can be described by $\mathcal{R} \xrightarrow{\text{splitting w.r.t } [\varphi, \psi]} \mathcal{R}_s \xrightarrow{\text{firing } t.Z^{[\varphi, \psi]}} \mathcal{R}'_s \xrightarrow{\text{canon. rep.}} \mathcal{R}'$. Since the first step (splitting) is a special case of partition, we proceed as in the first case, and get the same cuts κ with altered assignments $va'_\kappa : \bigcup_i \mathcal{C}_i \rightarrow \mathcal{C}_s$. Since after the process of splitting, the dynamic subclasses appearing in $Z^{[\varphi, \psi]}$ are all of cardinality 1, there is for each cut κ only one mode $v_\kappa = ((c_{i,j})_{j=1}^{t_i})_{i=1}^n \in \text{Val}(t)$ such that $va_\kappa(v_\kappa) = Z^{[\varphi, \psi]}$. For every cut κ we add a transition with label $t.d$ to the strategy, the places labeled with $p.c$ from κ in its preset such that $c \in v(p, t)$, and we add places labeled with $p'.c'$ to the strategy in the postset of the transition if $c' \in v(t, p')$. We then delete the places in the preset of the new transition from κ and add the places in the postset, to get the cut κ' with the same assignment $va_{\kappa'} = va'_\kappa : \bigcup_i \mathcal{C}_i \rightarrow \mathcal{C}'_s$. In the third step (canonical representation) we can again proceed as in the first case, which results in $K_{r'} = \{(\kappa', va''_{\kappa'}) \mid (\kappa, va_\kappa) \in K_r\}$.

3) The edge (r, r') in T_f corresponds to a relation $\mathcal{R}[t.Z^{[\varphi, \psi]}\mathcal{R}'$ in G and t is an environment transition. In this case, we proceed exactly as in the second case, but with one crucial change in the first step (splitting w.r.t $[\varphi, \psi]$): instead of choosing *one* function $va'_\kappa : \bigcup_i \mathcal{C}_i \rightarrow \bigcup_i \mathcal{R}_p.\hat{\mathcal{C}}_i$ such that $va_\kappa = \phi \circ va'_\kappa$, we

add a pair (κ, va'_κ) for *all* such assignments and all corresponding $t.Z^{[\varphi, \psi]}$. The rest of the procedure remains the same.

(3) Finally, we prove that the algorithm is correct. This proof works analogous to [13], where Finkbeiner and Olderog consider the case of P/T Petri games. The crucial difference is that we associate multiple cuts in σ to a node in the tree T_f . We have to prove that the generated strategy σ is satisfying the conditions justified refusal, determinism and deadlock freedom defined above. Then, σ is *winning*, since f does not reach representations that contain a bad place.

Justified refusal: Assume there is a transition t in the unfolding that is not in the strategy, but the preset of the transition is (so t would be enabled in the strategy). Let $t.c = \lambda(t)$. Then, the reason for t 's absence is that there is a system place p in the preset of t such that on all traversals that reach a representation $\mathcal{R} = (\mathcal{C}, \mathcal{D})$ and a cut with valid assignment (κ, va_κ) such that t is enabled in κ , \mathcal{D} forbids $va_\kappa(\lambda(t)) = t.va_\kappa(c)$, and hence also no transition t' with $\lambda(t') = \lambda(t)$ (implying $va_\kappa(\lambda(t)) = va_\kappa(\lambda(t'))$) is in the strategy.

Deadlock freedom: The generated strategy is deadlock free because in every branch in the tree T_f either infinitely many transitions are fired, or at some point it loops in a terminating state. The strategy f does not contain representations that are deadlocks.

Determinism: Aiming a contradiction, assume that there are two transitions t_1 and t_2 in the strategy that have a shared system place p in their preset. and are both enabled at the same cut κ in the strategy.

Case 1. Suppose that during the construction of σ , κ is encountered as a cut $(\kappa, va_\kappa) \in K_r$ associated to node r labeled with representation $\mathcal{R} = (\mathcal{C}, \mathcal{D})$. Then \mathcal{R} is nondeterministic. Contradiction (the strategy does not contain nondeterministic representations).

Case 2. Suppose there exist two cuts $(\kappa_1, va_{\kappa_1}) \in K_{r_1}$ and $(\kappa_2, va_{\kappa_2}) \in K_{r_2}$ such that during the construction of σ , first t_1 was introduced at κ_1 and then t_2 was introduced at κ_2 , with $pre(t_1) \subseteq \kappa_1$ but $pre(t_1) \not\subseteq \kappa_2$ and $pre(t_2) \not\subseteq \kappa_1$. We again distinguish two cases.

Case 2a concerns the situation that r_2 is *below* r_1 in T_f . Suppose in the Büchi game the symbolic instances $t_1.Z^{[\varphi^1, \psi^1]}, \dots, t_n.Z^{[\varphi^n, \psi^n]}$, with $n \geq 1$, are fired between r_1 and r_2 , corresponding to a sequence $\kappa_1 = \kappa'_0[t'_1] \dots [t'_n]\kappa'_n = \kappa_2$. If this sequence removes a token from a place $p \in pre(t_1)$ and puts it on $pre(t_2)$ then place $pre(t_1)$ and $pre(t_2)$ are in conflict, therefore there cannot exist a cut κ in which both t_1 and t_2 are enabled. Contradiction. Thus, a transition that takes a token from a place in $pre(t_1)$ puts it outside of $pre(t_2)$. Consider the first transition t_j that removes a token from $pre(t_1)$. Then the representation $\mathcal{R} = (\mathcal{C}, \mathcal{D})$, label of the node r that introduces κ_{j-1} is nondeterministic, as two instances $t.Z^{[\varphi, \psi]}$ and $t_j.Z^{[\varphi^j, \psi^j]}$, corresponding to t_1 and t_j are enabled in \mathcal{D} . Then proceed as in Case 1.

Case 2b concerns the situation that r_1 and r_2 are on different branches in T_f . Let r be their last common ancestor. Let p be the environment place contained in the cut $(\kappa, va_\kappa) \in K_r$ that such that $\kappa \leq \kappa_i$. Let t'_i be the transition from p

in the path from r to r_i . Then all transitions added in branches after t'_1 are in conflict with all transitions added in branches after t'_2 . In particular, t_1 and t_2 are in conflict, and therefore cannot be enabled at the same marking. Contradiction.

B Experimental Data

In this section of the appendix we present additional data of our experimental results. The results are obtained on an AMD Ryzen™ 7 3700X CPU with 4.4 GHz and 64 GB RAM and a timeout (TO) of 30 minutes. The running times are given in seconds.

Ben.	Par.	Explicit Approach				=	Reduced State Space			Memb. Time	Canon. Time
		V	E	Time			V	E	ξ		
PD	1/1	30	31	.39	\times	30	31	1	.38	.40	
	1/2	287	390	.64	\times	152	207	2	.54	.54	
	1/3	2510	4157	2.37	\times	516	885	6	1.06	1.21	
	1/4	20765	39596	38.46	\times	1376	2859	24	3.55	4.34	
	1/5	<i>307604.0</i>	-	TO	\times	3123	7630	120	6.06	6.94	
	1/6	<i>3286707.0</i>	-	-	\times	6315	17738	720	29.71	29.46	
	1/7	<i>3.59159e7</i>	-	-	\times	11707	37158	5040	373.48	405.21	
	1/8	<i>3.97631e8</i>	-	-	-	-	-	40320	TO	TO	
	2/1	277	316	.64	\times	140	161	2	.49	.51	
	2/2	25940	39480	52.37	\checkmark	6540	9912	4	4.46	4.83	
	2/3	<i>2891324.0</i>	-	TO	\times	200851	325481	12	34.29	31.13	
	2/4	<i>3.04624e8</i>	-	-	\times	3773484	5986550	48	2665.57	1716.67	
	2/5	-	-	-	-	-	-	240	TO	TO	
	3/1	1821	2360	1.89	\times	344	460	6	.83	.75	
	3/2	<i>1110773.0</i>	-	TO	\checkmark	87014	194168	12	21.50	20.77	
	3/3	<i>7.79483e8</i>	-	-	-	-	-	36	TO	TO	
	4/1	11089	15440	7.39	\times	692	1013	24	2.21	1.92	
	4/2	<i>3.54425e7</i>	-	TO	\checkmark	728983	2090860	48	393.00	267.28	
4/3	-	-	-	-	-	-	144	TO	TO		
5/1	64433	93152	466.16	\times	1230	1913	120	4.43	4.99		
5/2	-	-	TO	-	-	-	240	TO	TO		
AS	2	7383	14482	6.85	\checkmark	3713	7316	2	2.85	3.49	
	3	<i>5.80273e7</i>	-	TO	-	-	6	TO	TO		
CM	2/1	155	178	.54	\checkmark	79	92	2	.49	.52	
	2/2	2883	4128	2.33	\times	760	1067	4	1.07	1.08	
	2/3	58501	101108	661.98	\times	5548	9032	12	4.38	5.94	
	2/4	<i>1437319.0</i>	-	TO	\times	33250	60771	48	15.12	14.40	
	2/5	<i>3.41983e7</i>	-	-	\times	170100	340898	240	296.05	185.81	
	2/6	<i>8.37675e8</i>	-	-	-	-	-	1440	TO	TO	
	3/1	702	1097	1.11	\checkmark	147	219	6	.71	.58	
	3/2	45071	137701	552.30	\checkmark	4048	10562	12	4.46	4.99	
	3/3	<i>3431991.0</i>	-	TO	\times	91817	420717	36	89.35	49.90	

	3/4	<i>2.62284e8</i>	-	-	-	-	-	144	TO	TO
	4/1	2917	7396	3.39	✓	239	464	24	1.24	1.42
	4/2	<i>658721.0</i>	-	TO	✓	16012	116542	48	25.42	14.09
	4/3	<i>1.54628e8</i>	-	-	-	-	-	144	TO	TO
DW	1	57	69	.41	✓	57	69	1	.40	.39
	2	457	600	.80	✓	241	314	2	.67	.62
	3	3385	4640	2.95	✓	1145	1568	3	1.40	1.48
	4	22305	31296	33.19	✓	5613	7878	4	3.73	5.08
	5	<i>134186.0</i>	-	TO	✓	26857	38192	5	6.93	7.41
	6	<i>755762.0</i>	-	-	✓	126065	180772	6	19.53	18.93
	7	<i>4055098.0</i>	-	-	✓	579321	835056	7	100.67	75.24
	8	<i>2.09715e7</i>	-	-	✓	2621677	3793406	8	986.77	671.04
	9	<i>1.05381e8</i>	-	-	-	-	-	9	TO	TO
DWs	1	61	64	.39	✓	61	64	1	.37	.38
	2	1835	2058	1.85	✓	926	1053	2	1.16	.93
	3	42851	48658	191.02	✓	14295	16262	3	6.19	5.74
	4	<i>908413.0</i>	-	TO	✓	224144	255839	4	34.64	34.94
	5	<i>1.79271e7</i>	-	-	✓	3536069	4039956	5	1935.66	4230.29
	6	<i>3.40931e8</i>	-	-	-	-	-	6	TO	TO
CS	1	21	20	.38	✓	21	20	1	.38	.36
	2	639	812	.80	✓	326	425	2	.63	.64
	3	45042	71273	358.69	✓	7738	12362	6	5.20	6.05
	4	<i>7225357.0</i>	-	TO	✓	310076	544733	24	151.62	148.08
	5	<i>3.15402e9</i>	-	-	-	-	-	120	TO	TO