

# Output Series-Parallel Connection of Passivity-Based Controlled DC-DC Converters: Generalization of Asymptotic Stability

Yuma Murakawa and Takashi hikihara

**Abstract**—The series-paralleling technique of dc-dc converters is utilized in various domains of electrical engineering for improved power conversion. Previous studies have proposed and classified the control schemes for the series-paralleled converters. However, they have several restrictions and lack diversity. The purpose of this paper is to propose passivity-based control (PBC) for the diverse output series-parallel connection of dc-dc converters. It is proved that the output series-paralleled converters regulated by PBC are asymptotically stable. The output series-paralleled converters are numerically simulated to confirm the asymptotic stability. PBC is shown to maintain the stability of the output series-paralleled converters with diverse circuit topologies, parameters, and steady-states. The result of this paper theoretically supports the numerical and experimental considerations in the previous studies and justifies the further extension of the series-parallel connection.

**Index Terms**—Series-paralleled converters, dc-dc converters, passivity-based control (PBC), storage function, Lyapunov stability, hybrid power systems.

## I. INTRODUCTION

### A. Series-Parallel Connection of DC-DC Converters

THE series-parallel connection of multiple dc-dc converters is a technique utilized in various fields of electrical engineering [1]–[14]. It offers several advantages over a single, high-power, centralized converter such as lower component stresses, increased reliability, ease of maintenance, and improved thermal management [1]–[5]. In previous researches, this technique has achieved higher efficiency in photovoltaic (PV) systems [5]–[7], the load sharing design of high-power converters [1]–[4], forming a hybrid power system by combining the distributed power sources [8]–[14], etc. The series-paralleling technique of dc-dc converters is vital for improved power conversion and the combined use of power sources.

References [1], [2] have classified the load sharing methods for the paralleled converters. Similarly, series-paralleled converters were investigated in [3], [4]. However, these considera-

This work was supported in part by the Program on Open Innovation Platform with Enterprises, Research Institute and Academia of Japan Science and Technology Agency, in part by the Cross-ministerial Strategic Innovation Promotion Program No. 18088028 of Japan Science and Technology Agency, and in part by the JSPS KAKENHI under Grant JP20234533.

The authors are with the Department of Electrical Engineering, Kyoto University, Katsura, Nishikyo-ku, Kyoto, 615-8510 Japan (e-mail: y-murakawa@dove.kuee.kyoto-u.ac.jp; hikihara.takashi.2n@kyoto-u.ac.jp).

©2021 IEEE. Personal use of this material is permitted. Permission from IEEE must be obtained for all other uses, in any current or future media, including reprinting/republishing this material for advertising or promotional purposes, creating new collective works, for resale or redistribution to servers or lists, or reuse of any copyrighted component of this work in other works.

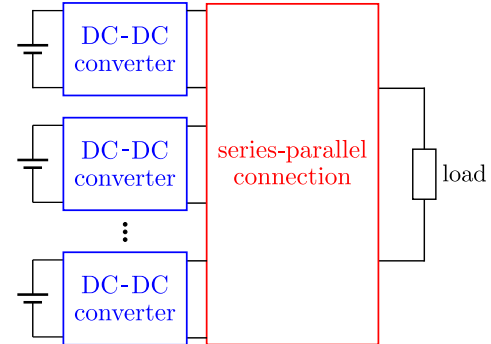


Fig. 1. DC-DC converters connected in series-parallel at the output. This paper focuses specifically on the series-parallel connection at the output side.

tions were explicitly aimed to obtain equal load sharing among specified converters. Thus, they cannot be directly applied to the systems which require the arbitrary load sharing among the connection of various converters. These kinds of systems, such as PV systems or hybrid power systems, typically have diverse operating modes depending on the power flow of each converter. In these cases, the control strategies for the converters must be designed to cover the wide range of efficient operation. For example, bifurcations and instabilities of a PV-battery hybrid power system are analyzed in [8]. It is necessary to construct a control scheme that widely covers the circuit topologies and the operating range of the dc-dc converters for the diverse series-parallel connection.

### B. Approach Based on Passivity

There are two categories for the control of dc-dc converters; linear and nonlinear. Previous researches in this area, including the above-mentioned references, have primarily been based on linear control. However, the switched power converters are inherently nonlinear systems [15], [16]. Series-paralleled converters also have mutual interactions in contrast to a single dc-dc converter. Hence, linear controllers are unlikely to give robust solutions and optimum performance for the series-paralleled converters [17]. Similarly, eigenvalue and time-delay analyses [18] can reveal the local linearized properties, but due to the nonlinearity of the converters, the performance for the overall operating range of the series-paralleled converters may not be illustrated.

In this study, we adopt passivity-based control (PBC) [19]–[23], which is a class of a nonlinear control scheme, for the

regulation of the series-paralleled converters. It aims to achieve the asymptotic stability of passive systems by adding some damping to the system's storage function. Since PBC is based on the physical properties of the system, it gives simple and robust control rules [19]–[21].

A system composed of passive subsystems is a passive system [24]. A dc-dc converter is also a passive system, in the sense that the switches do not provide any additional energy to the system [20], [21]. They rather serve to intermittently switch the connection structure of the internal passive components [25], [26]. Hence, the series-paralleled converters constitute a passive system, since each dc-dc converter is a passive subsystem. Then, it is expected from the perspective of energy that the series-paralleled converters are asymptotically stable by applying PBC to each converter. From this viewpoint, several previous research has considered the PBC of series-paralleled converters. The regulation of Ćuk converters connected in parallel by PBC is discussed in [27]. Recently, PBC of paralleled boost and buck converters was experimentally verified in [28]. The application of PBC to the hybrid power systems is considered numerically and experimentally in [13], [14]. Yet, these considerations are limited to specific circuit configurations. Generalized discussions have not been presented for the properties of the series-parallel converters regulated PBC.

### C. Contribution and Paper Organization

In this paper, we theoretically discuss the asymptotic stability of the output series-paralleled dc-dc converters regulated by PBC. The output series-parallel connection of dc-dc converters is shown in Fig. 1. This circuit configuration describes systems such as PV systems and hybrid power systems that combine several power sources by the connection of the converters.

Our main contribution of this paper is that we have proved the asymptotic stability of the output series-paralleled converters regulated by PBC. The asymptotic stability is rigorously shown from the perspectives of stored energy and Lyapunov stability theory. We focus on the general converter models and connection structures, in contrast to the studies which consider specific circuit configurations. Hence, the results provided in this paper are general, and are able to support the numerical and experimental results of the previous studies [13], [14], [27], [28]. In addition, our theoretical aspects justify the further extension of the series-paralleled converters. In order to verify these features, the numerical simulations of the series-paralleled converters are also provided.

The paper is organized as follows. In section II, we first introduce the general system model of the switched dc-dc converters. Then, the PBC of the dc-dc converters is explained. Some examples are given to show that the model and the PBC can be applied to various types of dc-dc converters. In section III, an external variable representing the mutual interaction is defined to generally describe the output series-parallel connection. The application of PBC to each converter is proved to asymptotically stabilize the series-paralleled converters. The results of the numerical simulations are shown in section IV to confirm the theoretical discussions. Here, several scenarios

TABLE I  
LIST OF SYMBOLS

Symbol	Definition	Property
$\mathcal{A} \in \mathbb{R}^{n \times n} >_0$	Circuit parameter	Positive definite
$\mathcal{J} \in \mathbb{R}^{n \times n}$	Internal structure	Skew-symmetric
$\mathcal{R} \in \mathbb{R}^{n \times n} \geq_0$	Dissipation	Positive semi-definite
$\mathbf{g} \in \mathbb{R}^{n \times m}$	Input structure	
$\mathbf{x} \in \mathbb{R}^n$	State variables	
$\mathbf{u} \in \mathbb{R}^m$	Input	
$\mathbf{s} \in [0, 1]^l$	Duty ratios	

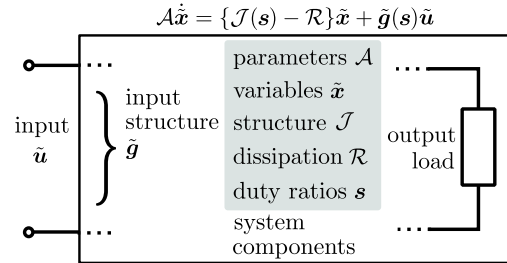


Fig. 2. Diagrammatical interpretation of dc-dc converters as port network. Output load is considered as internal element.

for external disturbance are considered to verify the stability and the robustness of the output series-paralleled converters regulated by PBC. Finally, section V is the conclusion.

## II. PASSIVITY-BASED CONTROL OF DC-DC CONVERTERS

In this section, a general model of the dc-dc converters is first introduced. Then, PBC for the dc-dc converters is explained in detail. The control rules for boost, buck, and buck-boost converters are derived as examples. The circuit elements mentioned in this section are assumed ideal.

### A. DC-DC Converter Model

As a general model for the dc-dc converters,

$$\mathcal{A}\dot{\mathbf{x}} = \{\mathcal{J}(\mathbf{s}) - \mathcal{R}\}\mathbf{x} + \mathbf{g}(\mathbf{s})\mathbf{u} \quad (1)$$

is assumed. The dot ( $\dot{\cdot}$ ) is a notation for a time differentiation. The symbols in (1) are denoted in Table I, where  $n, m, l \in \mathbb{N}$  are natural numbers. This model is essentially a port-controlled Hamiltonian system [29] with minor modifications. Moreover, (1) is an averaged model [20]–[22], [30] based on the assumption that the switches have sufficiently fast switching frequency. Thus, the model is approximated to be a smooth system controlled by the duty ratios  $\mathbf{s} \in [0, 1]^l$ . It is confirmed that (1) describes a variety of dc-dc converters in [21], [22].

The steady-state equation i.e. the null dynamics of (1) is obtained as

$$\{\mathcal{J}(\mathbf{s}) - \mathcal{R}\}\mathbf{x} + \mathbf{g}(\mathbf{s})\mathbf{u} = 0 \quad (2)$$

by setting the differential terms to zero. The desired state  $\mathbf{x} = \mathbf{x}_d$  and the corresponding duty ratios  $\mathbf{s} = \mathbf{s}_d$  are determined as the constants to satisfy (2). Hereafter, the subscript ‘d’ indicates the desired value. The control aims to achieve the asymptotic stability at  $\mathbf{x} = \mathbf{x}_d$  by modifying the duty ratios  $\mathbf{s}$  at the transient state.

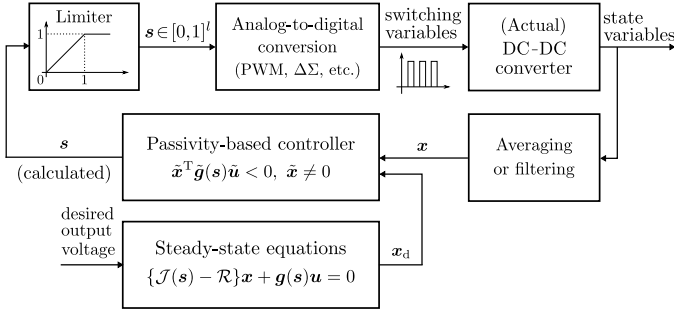


Fig. 3. Feedback control scheme for the PBC of dc-dc converters.

The error  $\tilde{x} = x - x_d$  satisfies

$$\mathcal{A}\dot{\tilde{x}} = \{\mathcal{J}(s) - \mathcal{R}\}\tilde{x} + \tilde{g}(s)\tilde{u} \quad (3)$$

from (1) and (2). The input structure  $\tilde{g}$  and input  $\tilde{u}$  are defined as

$$\tilde{g}(s) = [\mathcal{J}(s) - \mathcal{R} g(s)], \quad \tilde{u} = \begin{bmatrix} x_d \\ u \end{bmatrix}. \quad (4)$$

Then, the system is interpreted as a port network shown in Fig.2. The system description of (3) simplifies the control task to achieving the asymptotic stability at  $\tilde{x} = 0$ . Thus, we consider PBC in the following discussions by (3).

### B. Passivity-Based Control

The storage function of (3) is defined as

$$\mathcal{H} = \frac{1}{2}\tilde{x}^T \mathcal{A}\tilde{x}. \quad (5)$$

(5) has its minimum at  $\tilde{x} = 0$ . The time derivative of the storage function (5) is

$$\begin{aligned} \dot{\mathcal{H}} &= \tilde{x}^T \mathcal{A}\dot{\tilde{x}} \\ &= -\tilde{x}^T \mathcal{R}\tilde{x} + \tilde{x}^T \tilde{g}(s)\tilde{u}. \end{aligned} \quad (6)$$

Here, we assume  $\dot{x}_d = 0$ , since we are considering a dc system. This assumption yields simpler discussions and control compared to [20]–[22]. The first term on the right-hand side  $-\tilde{x}^T \mathcal{R}\tilde{x}$  is the dissipation of the system, which is negative at  $\tilde{x} \neq 0$ . The second term  $\tilde{x}^T \tilde{g}(s)\tilde{u}$  corresponds to the power supplied from the externals.

Therefore, when the externally supplied power satisfies

$$\tilde{x}^T \tilde{g}(s)\tilde{u} < 0, \quad \tilde{x} \neq 0, \quad (7)$$

the remaining energy dissipation guarantees

$$\dot{\mathcal{H}} = -\tilde{x}^T \mathcal{R}\tilde{x} + \tilde{x}^T \tilde{g}(s)\tilde{u} < 0, \quad \tilde{x} \neq 0. \quad (8)$$

The storage function  $\mathcal{H}$  plays the role of a Lyapunov function of (3) and ensures the asymptotic stability at  $\tilde{x} = 0$ . To summarize, PBC for the dc-dc converters prepares a control rule for the duty ratios  $s$  given to satisfy the condition (7).

Fig. 3 shows the schematic diagram of the feedback control scheme for the PBC of dc-dc converters. The actual dc-dc converter is regulated by a discrete switching variable, hence the duty ratio is processed through analog-to-digital conversion, typically pulse-width modulation (PWM) or delta-sigma modulation [22], [31]. A hard limiter is implemented

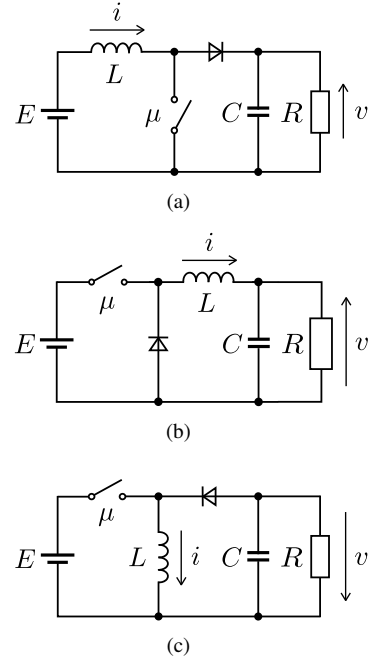


Fig. 4. Example circuit schematics of dc-dc converters. (a) Boost converter. (b) Buck converter. (c) Buck-boost converter.

to guarantee the duty ratio to be in the closed interval  $[0,1]$ . Regardless, the feedback gain should be designed for the duty ratios not to exceed the interval while the converter is operating in the expected region. Averaging or filtering is also necessary to adjust the state variables for the feedback control based on the averaged system. The actual state variables remain small high-frequency ripples, due to the switching operation. However, this process is usually neglected, owing to the low-pass filtering nature of the passive elements and the sensors. Typically, the desired state  $x_d$  is uniquely determined by (2) to obtain a given desired output.

### C. Examples of PBC for DC-DC Converters

1) *Boost Converter:* Fig. 4(a) is the circuit schematic of the boost converter. The boost converter is modeled as

$$\begin{bmatrix} L & 0 \\ 0 & C \end{bmatrix} \begin{bmatrix} \dot{i} \\ \dot{v} \end{bmatrix} = \begin{bmatrix} 0 & -(1-\mu) \\ (1-\mu) & -1/R \end{bmatrix} \begin{bmatrix} i \\ v \end{bmatrix} + \begin{bmatrix} 1 \\ 0 \end{bmatrix} E. \quad (9)$$

The steady-state equations are obtained as

$$\begin{cases} \mu = 1 - \frac{E}{v}, \\ Ei = \frac{v^2}{R}. \end{cases} \quad (10)$$

The desired state  $[i v]^T = [i_d v_d]^T$  and the desired duty ratio  $\mu_d \in [0,1]$  are determined as constants to satisfy (10).

Putting  $\tilde{x} = [i - i_d v - v_d]^T$  gives the storage function of

$$\begin{aligned} \mathcal{H} &= \frac{1}{2}\tilde{x}^T \mathcal{A}\tilde{x} = \frac{1}{2} \begin{bmatrix} i - i_d \\ v - v_d \end{bmatrix}^T \begin{bmatrix} L & 0 \\ 0 & C \end{bmatrix} \begin{bmatrix} i - i_d \\ v - v_d \end{bmatrix} \\ &= \frac{1}{2}L(i - i_d)^2 + \frac{1}{2}C(v - v_d)^2. \end{aligned} \quad (11)$$

In order to form (11) as a Lyapunov function,

$$\begin{aligned} \tilde{\mathbf{x}}^T \tilde{\mathbf{g}}(\mu) \tilde{\mathbf{u}} &= \begin{bmatrix} i - i_d \\ v - v_d \end{bmatrix}^T \begin{bmatrix} 0 & -(1-\mu) & 1 \\ (1-\mu) & -1/R & 0 \end{bmatrix} \begin{bmatrix} i_d \\ v_d \\ E \end{bmatrix} \\ &= (\mu - \mu_d)(iv_d - i_d v) < 0, \quad \tilde{\mathbf{x}} \neq 0 \end{aligned} \quad (12)$$

has to be satisfied according to (7). The condition (12) is fulfilled by controlling the duty ratio  $\mu$  as

$$\mu = \mu_d - k(iv_d - i_d v), \quad k > 0, \quad (13)$$

where  $k$  is a positive feedback gain. Therefore, PBC for the boost converter is obtained as (13).

2) *Buck Converter*: PBC for the buck converter follows the same derivation process as the boost converter. The buck converter shown in Fig. 4(b) is modeled as

$$\begin{bmatrix} L & 0 \\ 0 & C \end{bmatrix} \begin{bmatrix} \dot{i} \\ \dot{v} \end{bmatrix} = \begin{bmatrix} 0 & -1 \\ 1 & -1/R \end{bmatrix} \begin{bmatrix} i \\ v \end{bmatrix} + \begin{bmatrix} \mu \\ 0 \end{bmatrix} E. \quad (14)$$

The condition for the asymptotic stability is

$$\begin{aligned} \tilde{\mathbf{x}}^T \tilde{\mathbf{g}}(\mu) \tilde{\mathbf{u}} &= \begin{bmatrix} i - i_d \\ v - v_d \end{bmatrix}^T \begin{bmatrix} 0 & -1 & \mu \\ 1 & -1/R & 0 \end{bmatrix} \begin{bmatrix} i_d \\ v_d \\ E \end{bmatrix} \\ &= (\mu - \mu_d)(i - i_d)E < 0, \quad \tilde{\mathbf{x}} \neq 0, \end{aligned} \quad (15)$$

from (7). This condition is satisfied by

$$\mu = \mu_d - k(i - i_d), \quad k > 0. \quad (16)$$

Thus, (16) is the PBC for the buck converter.

3) *Buck-Boost Converter*: PBC for the buck-boost converter also follows the same derivation process. The buck-boost converter shown in Fig. 4(c) is modeled as

$$\begin{bmatrix} L & 0 \\ 0 & C \end{bmatrix} \begin{bmatrix} \dot{i} \\ \dot{v} \end{bmatrix} = \begin{bmatrix} 0 & -(1-\mu) \\ (1-\mu) & -1/R \end{bmatrix} \begin{bmatrix} i \\ v \end{bmatrix} + \begin{bmatrix} \mu \\ 0 \end{bmatrix} E, \quad (17)$$

The condition for the asymptotic stability is

$$\begin{aligned} \tilde{\mathbf{x}}^T \tilde{\mathbf{g}}(\mu) \tilde{\mathbf{u}} &= \begin{bmatrix} i - i_d \\ v - v_d \end{bmatrix}^T \begin{bmatrix} 0 & -(1-\mu) & \mu \\ (1-\mu) & -1/R & 0 \end{bmatrix} \begin{bmatrix} i_d \\ v_d \\ E \end{bmatrix} \\ &= (\mu - \mu_d)\{i(v_d + E) - i_d(v + E)\} < 0, \quad \tilde{\mathbf{x}} \neq 0. \end{aligned} \quad (18)$$

This condition is satisfied by

$$\mu = \mu_d - k\{i(v_d + E) - i_d(v + E)\}, \quad k > 0. \quad (19)$$

Thus, (19) is the PBC for the buck-boost converter.

### III. OUTPUT SERIES-PARALLEL CONNECTION OF DC-DC CONVERTERS

In this section, we prove that the output series-paralleled converters regulated by PBC are asymptotically stable. First, the dc-dc converter model is introduced with an additional external variable representing the mutual interaction between the converters. Then, certain circuit restrictions are given to the variables in order for the model to describe a series or parallel connection. Through the process, the output series-paralleled converters are shown to be reclassified into the general dc-dc converter model of (3). Thus, the asymptotic stability of the series-paralleled converters can be discussed based on (7).

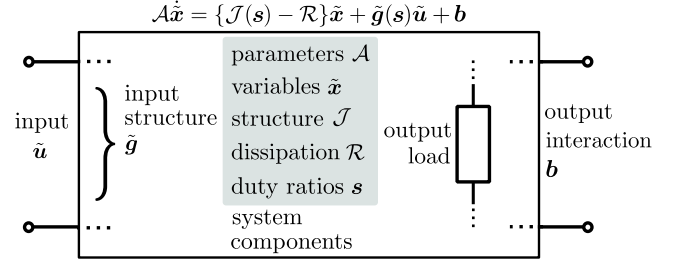


Fig. 5. DC-DC converter model with interaction at output.

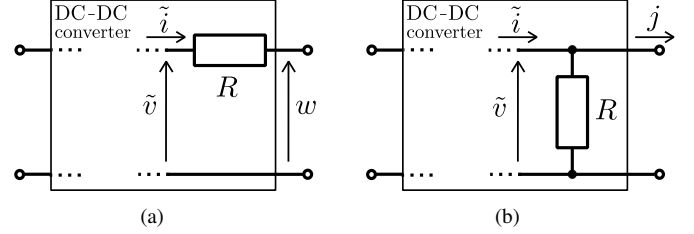


Fig. 6. Possible circuit structures for series or parallel output interaction. (a) Series interaction. (b) Parallel interaction.

Finally, it is proved that the dc-dc converters regulated by PBC can be connected in series-parallel at the output while maintaining their asymptotic stability.

#### A. DC-DC Converter with Output Interaction

The dc-dc converter with output interaction is modeled as

$$\mathcal{A}\dot{\tilde{\mathbf{x}}} = \{\mathcal{J}(s) - \mathcal{R}\}\tilde{\mathbf{x}} + \tilde{\mathbf{g}}(s)\tilde{\mathbf{u}} + \mathbf{b}, \quad (20)$$

where  $\mathbf{b} \in \mathbb{R}^n$  implies the interaction at the output. This dc-dc converter model is shown diagrammatically in Fig. 5. As shown in the figure, the interaction  $\mathbf{b}$  is treated as an external variable. The storage function of (20) is kept as

$$\mathcal{H} = \frac{1}{2}\tilde{\mathbf{x}}^T \mathcal{A}\tilde{\mathbf{x}}. \quad (21)$$

However, its time derivative is altered to be

$$\begin{aligned} \dot{\mathcal{H}} &= \tilde{\mathbf{x}}^T \mathcal{A}\dot{\tilde{\mathbf{x}}} \\ &= -\tilde{\mathbf{x}}^T \mathcal{R}\tilde{\mathbf{x}} + \tilde{\mathbf{x}}^T \tilde{\mathbf{g}}(s)\tilde{\mathbf{u}} + \tilde{\mathbf{x}}^T \mathbf{b}, \end{aligned} \quad (22)$$

where the term  $\tilde{\mathbf{x}}^T \mathbf{b}$  implies the power supplied from the output interaction.

Two possible circuit structures are assumed for the output interaction; series or parallel connection as shown in Figs. 6(a) and (b), respectively. The variables  $\tilde{v}$  and  $\tilde{i}$  represent the output voltage and the output current of the converter. In Fig. 6(a), the interaction appears as the voltage  $w$  in series to the load. From the assumption that the only dissipative element of the converter is the output load  $R$ , we have

$$-\tilde{\mathbf{x}}^T \mathcal{R}\tilde{\mathbf{x}} = -\frac{\tilde{v}^2}{R}, \quad \tilde{\mathbf{x}}^T \mathbf{b} = \frac{\tilde{v}w}{R} \quad (23)$$

for the series interaction. Clearly, adding the two equations in (23) gives the power consumption at the load. Here, we can

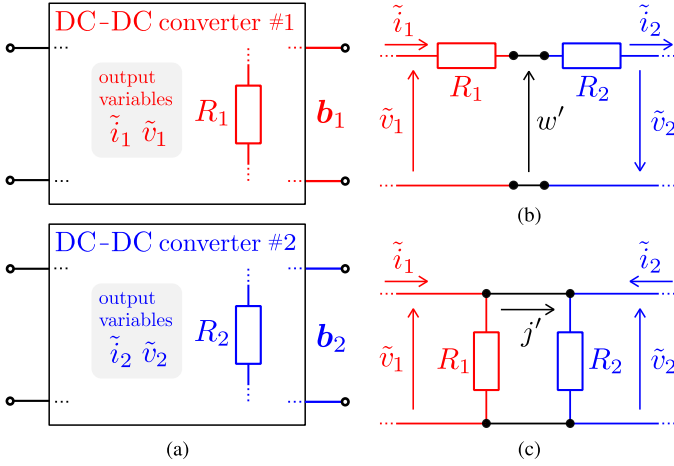


Fig. 7. Pair of dc-dc converters with output interaction. (a) Drawn individually. (b) Series connection at output. (c) Parallel connection at output.

see that the output interaction affects the dissipation of the model. Similarly, we have

$$-\tilde{\mathbf{x}}^T \mathcal{R} \tilde{\mathbf{x}} = -R\tilde{i}^2, \quad \tilde{\mathbf{x}}^T \mathbf{b} = R\tilde{i}j \quad (24)$$

for the parallel case shown in Fig. 6(b).

### B. Output Series-Parallel Connection for Pair of Converters

1) *System Model and Energy Property*: Fig. 7(a) shows a pair of dc-dc converters with output interactions. Each converter has the output load  $R$ , the output voltage  $\tilde{v}$ , the output current  $\tilde{i}$ , and the output interaction  $\mathbf{b}$ . The subscripts '1' and '2' correspond to converters #1 and #2, respectively. These subscripts do not alter the definitions or the properties of the symbols listed in Table I. They are used only to distinguish the matrices.

The pair of dc-dc converters shown in Fig. 7(a) are modeled as

$$\begin{cases} \mathcal{A}_1 \dot{\tilde{\mathbf{x}}}_1 = \{\mathcal{J}_1(s_1) - \mathcal{R}_1\} \tilde{\mathbf{x}}_1 + \tilde{\mathbf{g}}_1(s_1) \tilde{\mathbf{u}}_1 + \mathbf{b}_1, \\ \mathcal{A}_2 \dot{\tilde{\mathbf{x}}}_2 = \{\mathcal{J}_2(s_2) - \mathcal{R}_2\} \tilde{\mathbf{x}}_2 + \tilde{\mathbf{g}}_2(s_2) \tilde{\mathbf{u}}_2 + \mathbf{b}_2. \end{cases} \quad (25)$$

Note that these equations are independent due to the fact that no conditions are fixed to the variables yet. Equation (25) is rewritten as

$$\mathcal{A}_{12} \dot{\tilde{\mathbf{x}}}_{12} = \{\mathcal{J}_{12}(s_{12}) - \mathcal{R}'_{12}\} \tilde{\mathbf{x}}_{12} + \tilde{\mathbf{g}}_{12}(s_{12}) \tilde{\mathbf{u}}_{12} + \mathbf{b}_{12}, \quad (26)$$

by using

$$\begin{cases} \tilde{\mathbf{x}}_{12} = \begin{bmatrix} \tilde{\mathbf{x}}_1 \\ \tilde{\mathbf{x}}_2 \end{bmatrix}, \quad \tilde{\mathbf{u}}_{12} = \begin{bmatrix} \tilde{\mathbf{u}}_1 \\ \tilde{\mathbf{u}}_2 \end{bmatrix}, \quad \mathcal{A}_{12} = \begin{bmatrix} \mathcal{A}_1 & 0 \\ 0 & \mathcal{A}_2 \end{bmatrix}, \\ \mathcal{J}_{12} = \begin{bmatrix} \mathcal{J}_1 & 0 \\ 0 & \mathcal{J}_2 \end{bmatrix}, \quad \mathcal{R}'_{12} = \begin{bmatrix} \mathcal{R}_1 & 0 \\ 0 & \mathcal{R}_2 \end{bmatrix}, \\ \tilde{\mathbf{g}}_{12} = \begin{bmatrix} \tilde{\mathbf{g}}_1 & 0 \\ 0 & \tilde{\mathbf{g}}_2 \end{bmatrix}, \quad \mathbf{b}_{12} = \begin{bmatrix} \mathbf{b}_1 \\ \mathbf{b}_2 \end{bmatrix}, \quad s_{12} = \begin{bmatrix} s_1 \\ s_2 \end{bmatrix}. \end{cases} \quad (27)$$

Then, the storage function of (26) is

$$\mathcal{H}_{12} = \frac{1}{2} \tilde{\mathbf{x}}_{12}^T \mathcal{A}_{12} \tilde{\mathbf{x}}_{12}. \quad (28)$$

The time derivative of the storage function is obtained as

$$\begin{aligned} \dot{\mathcal{H}}_{12} &= \tilde{\mathbf{x}}_{12}^T \mathcal{A}_{12} \dot{\tilde{\mathbf{x}}}_{12} \\ &= -\tilde{\mathbf{x}}_{12}^T \mathcal{R}'_{12} \tilde{\mathbf{x}}_{12} + \tilde{\mathbf{x}}_{12}^T \tilde{\mathbf{g}}_{12}(s_{12}) \tilde{\mathbf{u}}_{12} + \tilde{\mathbf{x}}_{12}^T \mathbf{b}_{12}, \end{aligned} \quad (29)$$

where

$$\begin{cases} \tilde{\mathbf{x}}_{12}^T \mathcal{R}'_{12} \tilde{\mathbf{x}}_{12} = \tilde{\mathbf{x}}_1^T \mathcal{R}_1 \tilde{\mathbf{x}}_1 + \tilde{\mathbf{x}}_2^T \mathcal{R}_2 \tilde{\mathbf{x}}_2, \\ \tilde{\mathbf{x}}_{12}^T \mathbf{b}_{12} = \tilde{\mathbf{x}}_1^T \mathbf{b}_1 + \tilde{\mathbf{x}}_2^T \mathbf{b}_2 \end{cases} \quad (30)$$

from (27).

2) *Series Connection*: Fig. 7(b) is the schematic of the outputs connected in series. In this configuration, both loads have the identical current flow. The converters interact through the voltage  $w'$ , which represents the voltage imbalance among the outputs. Therefore, we have

$$\tilde{i}_1 = \tilde{i}_2, \quad w_1 = -w_2, \quad (31)$$

where  $w_1$  and  $w_2$  indicates the voltage interaction for converters #1 and #2, respectively. Also from the voltage law,

$$w_1 = \tilde{v}_1 - R_1 \tilde{i}_1, \quad w_2 = \tilde{v}_2 - R_2 \tilde{i}_2 \quad (32)$$

is obtained. Then, the load current is

$$\tilde{i}_1 = \tilde{i}_2 = \frac{\tilde{v}_1 + \tilde{v}_2}{R_1 + R_2} \quad (33)$$

from (31) and (32).

Since Fig. 7(b) corresponds to the series interaction shown in Fig. 6(a), we have

$$\begin{cases} \tilde{\mathbf{x}}_1^T \mathcal{R}_1 \tilde{\mathbf{x}}_1 = \frac{\tilde{v}_1^2}{R_1}, \quad \tilde{\mathbf{x}}_2^T \mathcal{R}_2 \tilde{\mathbf{x}}_2 = \frac{\tilde{v}_2^2}{R_2}, \\ \tilde{\mathbf{x}}_1^T \mathbf{b}_1 = \frac{\tilde{v}_1 w_1}{R_1}, \quad \tilde{\mathbf{x}}_2^T \mathbf{b}_2 = \frac{\tilde{v}_2 w_2}{R_2} \end{cases} \quad (34)$$

from (23). Moreover, from (32) and (33), we have

$$\begin{cases} \tilde{\mathbf{x}}_1^T \mathbf{b}_1 = \frac{\tilde{v}_1^2}{R_1} - \frac{\tilde{v}_1(\tilde{v}_1 + \tilde{v}_2)}{R_1 + R_2}, \\ \tilde{\mathbf{x}}_2^T \mathbf{b}_2 = \frac{\tilde{v}_2^2}{R_2} - \frac{\tilde{v}_2(\tilde{v}_1 + \tilde{v}_2)}{R_1 + R_2}. \end{cases} \quad (35)$$

Substituting (35) to (30) results in

$$\begin{aligned} \tilde{\mathbf{x}}_{12}^T \mathbf{b}_{12} &= \frac{\tilde{v}_1^2}{R_1} + \frac{\tilde{v}_2^2}{R_2} - \frac{(\tilde{v}_1 + \tilde{v}_2)^2}{R_1 + R_2} \\ &= \tilde{\mathbf{x}}_{12}^T \mathcal{R}'_{12} \tilde{\mathbf{x}}_{12} - \tilde{\mathbf{x}}_{12}^T \mathcal{R}_s \tilde{\mathbf{x}}_{12}, \end{aligned} \quad (36)$$

by introducing a positive semi-definite matrix  $\mathcal{R}_s$  that satisfies

$$\tilde{\mathbf{x}}_{12}^T \mathcal{R}_s \tilde{\mathbf{x}}_{12} = \frac{(\tilde{v}_1 + \tilde{v}_2)^2}{R_1 + R_2}. \quad (37)$$

Hence, we obtain

$$\mathbf{b}_{12} = \mathcal{R}'_{12} \tilde{\mathbf{x}}_{12} - \mathcal{R}_s \tilde{\mathbf{x}}_{12} \quad (38)$$

for the series connection in Fig. 7(b). From above discussions, we can confirm that the connection at the output alters the dissipation of the model.



3) *Parallel Connection*: Similar discussions can be made for the parallel connection. Fig. 7(c) is the schematic of the outputs connected in parallel. In this configuration, both loads have identical load voltage. The current  $j'$  implies the interaction between the converters. Therefore, we have

$$\tilde{v}_1 = \tilde{v}_2, \quad j_1 = -j_2, \quad (39)$$

where  $j_1$  and  $j_2$  indicates the current interaction for converters #1 and #2, respectively. Also from the current law,

$$j_1 = \tilde{i}_1 - \frac{\tilde{v}_1}{R_1}, \quad j_2 = \tilde{i}_2 - \frac{\tilde{v}_2}{R_2} \quad (40)$$

is obtained. Then, the load voltage is

$$\tilde{v}_1 = \tilde{v}_2 = \frac{R_1 R_2}{R_1 + R_2} (\tilde{i}_1 + \tilde{i}_2) \quad (41)$$

from (39) and (40).

Since Fig. 7(c) corresponds to the series interaction shown in Fig. 6(b), we have

$$\begin{cases} \tilde{\mathbf{x}}_1^T \mathcal{R}_1 \tilde{\mathbf{x}}_1 = R_1 \tilde{i}_1^2, & \tilde{\mathbf{x}}_2^T \mathcal{R}_2 \tilde{\mathbf{x}}_2 = R_2 \tilde{i}_2^2, \\ \tilde{\mathbf{x}}_1^T \mathbf{b}_1 = R_1 \tilde{i}_1 j_1, & \tilde{\mathbf{x}}_2^T \mathbf{b}_2 = R_2 \tilde{i}_2 j_2 \end{cases} \quad (42)$$

from (24). Moreover, from (40) and (41), we have

$$\begin{cases} \tilde{\mathbf{x}}_1^T \mathbf{b}_1 = R_1 \tilde{i}_1^2 - \frac{R_1 R_2}{R_1 + R_2} \tilde{i}_1 (\tilde{i}_1 + \tilde{i}_2), \\ \tilde{\mathbf{x}}_2^T \mathbf{b}_2 = R_2 \tilde{i}_2^2 - \frac{R_1 R_2}{R_1 + R_2} \tilde{i}_2 (\tilde{i}_1 + \tilde{i}_2). \end{cases} \quad (43)$$

Substituting (43) to (30) results in

$$\begin{aligned} \tilde{\mathbf{x}}_{12}^T \mathbf{b}_{12} &= R_1 \tilde{i}_1^2 + R_2 \tilde{i}_2^2 - \frac{R_1 R_2}{R_1 + R_2} (\tilde{i}_1 + \tilde{i}_2)^2 \\ &= \tilde{\mathbf{x}}_{12}^T \mathcal{R}'_{12} \tilde{\mathbf{x}}_{12} - \tilde{\mathbf{x}}_{12}^T \mathcal{R}_p \tilde{\mathbf{x}}_{12}, \end{aligned} \quad (44)$$

by introducing a positive semi-definite matrix  $\mathcal{R}_p$  that satisfies

$$\tilde{\mathbf{x}}_{12}^T \mathcal{R}_p \tilde{\mathbf{x}}_{12} = \frac{R_1 R_2}{R_1 + R_2} (\tilde{i}_1 + \tilde{i}_2)^2. \quad (45)$$

Hence, we obtain

$$\mathbf{b}_{12} = \mathcal{R}'_{12} \tilde{\mathbf{x}}_{12} - \mathcal{R}_p \tilde{\mathbf{x}}_{12} \quad (46)$$

for the parallel connection in Fig. 7(c).

4) *Replacement of Dissipation*: From (38) and (46), both series and parallel interactions at the output replace the original dissipation matrix. It is possible to rewrite the model of (26) as

$$\mathcal{A}_{12} \dot{\tilde{\mathbf{x}}}_{12} = \{\mathcal{J}_{12}(\mathbf{s}_{12}) - \mathcal{R}_{12}\} \tilde{\mathbf{x}}_{12} + \tilde{\mathbf{g}}_{12}(\mathbf{s}_{12}) \tilde{\mathbf{u}}_{12} \quad (47)$$

by substituting (38) or (46) to (26). Here,  $\mathcal{R}_{12}$  is equal to  $\mathcal{R}_s$  or  $\mathcal{R}_p$  depending on the series or parallel connection at the output. The model (47) has the same structure as (3), which is the general model of the dc-dc converter. Therefore, we have shown that a pair of dc-dc converters connected in either series or parallel at the output is described by the general converter model of (3).

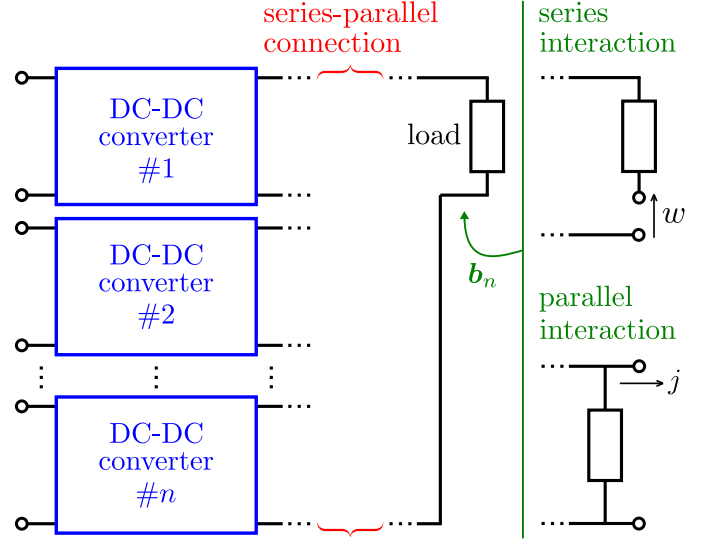


Fig. 8. Output series-parallelled  $n$  converters.

### C. Output Series-Parallel Connection of $n$ Converters

Let us first clarify that the system consisting of  $n \in \mathbb{N}$  numbers of converters connected repeatedly in either series or parallel at their outputs to share a single load is defined as output series-parallelled  $n$  converters. Fig. 8 shows the diagram of the output series-parallelled  $n$  converters. The output interaction for this system is also given in series or parallel to the output load, similarly to Fig. 6. The single dc-dc converter is included in the definition for the case of  $n = 1$ .

Suppose, for all  $m \in \mathbb{N}$  s.t.  $m \leq n$ , any output series-parallelled  $m$  converters are described by (3). Consider the natural numbers  $\alpha, \beta \in \mathbb{N}$  s.t.  $\alpha + \beta = n + 1$ . Then, a specific output series-parallelled  $n + 1$  converters can be described by the model

$$\begin{cases} \mathcal{A}_\alpha \dot{\tilde{\mathbf{x}}}_\alpha = \{\mathcal{J}_\alpha(\mathbf{s}_\alpha) - \mathcal{R}_\alpha\} \tilde{\mathbf{x}}_\alpha + \tilde{\mathbf{g}}_\alpha(\mathbf{s}_\alpha) \tilde{\mathbf{u}}_\alpha + \mathbf{b}_\alpha, \\ \mathcal{A}_\beta \dot{\tilde{\mathbf{x}}}_\beta = \{\mathcal{J}_\beta(\mathbf{s}_\beta) - \mathcal{R}_\beta\} \tilde{\mathbf{x}}_\beta + \tilde{\mathbf{g}}_\beta(\mathbf{s}_\beta) \tilde{\mathbf{u}}_\beta + \mathbf{b}_\beta. \end{cases} \quad (48)$$

The first and the second equations in (48) describe the output series-parallelled converters with interactions consisting of  $\alpha$  and  $\beta$  numbers of converters, respectively. Note that (48) corresponds to (25). In both of these models, the circuit restrictions shown in Fig. 7 have to be applied so that the models describe series or parallel connection. Thus, the same discussions as Section III-B can be made. Since the natural numbers  $\alpha$  and  $\beta$  can be chosen arbitrarily, it concludes that the any output series-parallelled  $n + 1$  converters are described by the general model (3).

In the previous sections, we have already shown for  $n = 1, 2$  that the output series-parallelled  $n$  converters are described by (3). This statement can be proved for all  $n$  by the mathematical induction based on above discussions of (48). Therefore, we have proved that the output series-parallelled  $n$  converters are described by (3), for any  $n \in \mathbb{N}$ .

#### D. Stabilization by PBC

Suppose that the output series-parallelled  $n$  converters

$$\mathcal{A}_n \dot{\tilde{\mathbf{x}}}_n = \{\mathcal{J}_n(s_n) - \mathcal{R}_n\} \tilde{\mathbf{x}}_n + \tilde{\mathbf{g}}_n(s_n) \tilde{\mathbf{u}}_n \quad (49)$$

consist from  $n$  numbers of single dc-dc converters

$$\mathcal{A}_{1,m} \dot{\tilde{\mathbf{x}}}_{1,m} = \{\mathcal{J}_{1,m}(s_{1,m}) - \mathcal{R}_{1,m}\} \tilde{\mathbf{x}}_{1,m} + \tilde{\mathbf{g}}_{1,m}(s_{1,m}) \tilde{\mathbf{u}}_{1,m}, \quad (50)$$

where  $m \in \mathbb{N}$  s.t.  $m \leq n$ . Since (49) is written in the general form of (3), the condition for the asymptotic stability is given from (7) as

$$\tilde{\mathbf{x}}_n^T \tilde{\mathbf{g}}_n(s_n) \tilde{\mathbf{u}}_n < 0, \quad \tilde{\mathbf{x}}_n \neq 0. \quad (51)$$

Note from the previous discussions that the series-parallel connection only alters the dissipative properties of the model. According to (27),  $\tilde{\mathbf{x}}_{1,m}$  and  $\tilde{\mathbf{u}}_{1,m}$  are combined vertically throughout the series-parallel connection. On the other hand,  $\tilde{\mathbf{g}}_{1,m}$  is combined diagonally. Thus, we have

$$\left\{ \begin{array}{l} \tilde{\mathbf{x}}_n = \begin{bmatrix} \tilde{\mathbf{x}}_{1,1} \\ \tilde{\mathbf{x}}_{1,2} \\ \vdots \\ \tilde{\mathbf{x}}_{1,n} \end{bmatrix}, \quad \tilde{\mathbf{u}}_n = \begin{bmatrix} \tilde{\mathbf{u}}_{1,1} \\ \tilde{\mathbf{u}}_{1,2} \\ \vdots \\ \tilde{\mathbf{u}}_{1,n} \end{bmatrix}, \\ \tilde{\mathbf{g}}_n = \begin{bmatrix} \tilde{\mathbf{g}}_{1,1} & 0 & \cdots & 0 \\ 0 & \tilde{\mathbf{g}}_{1,2} & & \vdots \\ \vdots & & \ddots & 0 \\ 0 & \cdots & 0 & \tilde{\mathbf{g}}_{1,n} \end{bmatrix}, \end{array} \right. \quad (52)$$

and accordingly,

$$\tilde{\mathbf{x}}_n^T \tilde{\mathbf{g}}_n(s_n) \tilde{\mathbf{u}}_n = \sum_{m=1}^n \tilde{\mathbf{x}}_{1,m}^T \tilde{\mathbf{g}}_{1,m}(s_{1,m}) \tilde{\mathbf{u}}_{1,m}. \quad (53)$$

Controlling each converter by PBC gives

$$\tilde{\mathbf{x}}_{1,m}^T \tilde{\mathbf{g}}_{1,m}(s_{1,m}) \tilde{\mathbf{u}}_{1,m} < 0, \quad \tilde{\mathbf{x}}_{1,m} \neq 0, \quad (54)$$

for all  $m \leq n$ . The condition (51) is satisfied by (53) and (54). Therefore, it is proved that the output series-parallelled  $n$  converters are asymptotically stable by the PBC of each converter.

In conclusion of this section, we have proved that output series-parallelled dc-dc converters regulated by PBC maintains their asymptotic stability. Also, throughout the section, we have shown that any output series-parallelled converters are described by (3). Note that the restrictions made in the discussions were only for the circuit constraints due to the output connection. It implies the robust feature of PBC that the asymptotic stability is not restricted by the diverse circuit topologies, parameters, and steady-states of the series-parallelled converters. The theoretical results are confirmed in the next section by the numerical simulation.

#### IV. NUMERICAL SIMULATION

In this section, the PBC of the output series-parallelled converters is examined based on numerical simulation using MATLAB/Simulink.

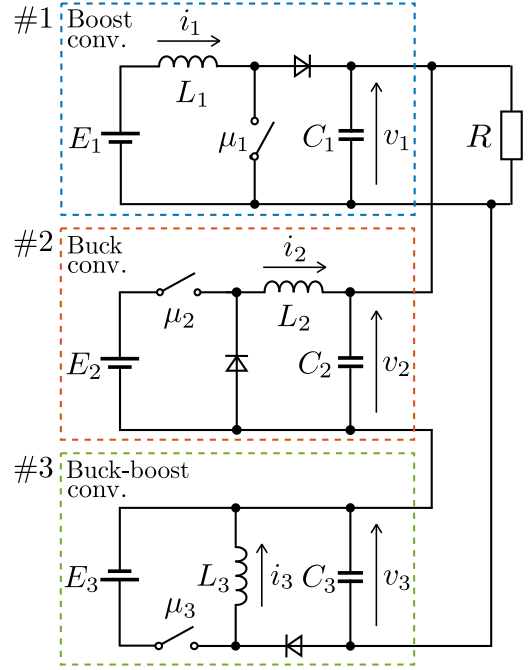


Fig. 9. Boost, buck, and buck-boost converters connected in series-parallel at the output.

TABLE II  
PARAMETERS OF DC-DC CONVERTERS

#1 Boost	#2 Buck	#3 Buck-boost			
Parameter	Values	Parameter	Values	Parameter	Values
$L_1$	470 $\mu\text{H}$	$L_2$	500 $\mu\text{H}$	$L_3$	330 $\mu\text{H}$
$C_1$	10 $\mu\text{F}$	$C_2$	33 $\mu\text{F}$	$C_3$	20 $\mu\text{F}$
$E_1$	18 V	$E_2$	40 V	$E_3$	24 V
$k_1$	0.02	$k_2$	0.3	$k_3$	0.02

TABLE III  
INITIAL STATE OF DC-DC CONVERTERS

#1 Boost	#2 Buck	#3 Buck-boost			
Variable	State	Variable	State	Variable	State
$i_1$	1.4 A	$i_2$	1.3 A	$i_3$	2.8 A
$v_1$	10 V	$v_2$	16 V	$v_3$	12 V

TABLE IV  
DESIRED STATE OF DC-DC CONVERTERS

#1 Boost	#2 Buck	#3 Buck-boost			
Variable	State	Variable	State	Variable	State
$i_{1d}$	1.950 A	$i_{2d}$	2.025 A	$i_{3d}$	3.375 A
$v_{1d}$	36 V	$v_{2d}$	20 V	$v_{3d}$	16 V
$\mu_{1d}$	0.5	$\mu_{2d}$	0.5	$\mu_{3d}$	0.4

#### A. Setups for Simulation

The simulated circuit is shown in Fig.9. It is composed of boost, buck, and buck-boost converters. The subscripts '1', '2', and '3', correspond to the boost, buck, and buck-boost converter, respectively. The circuit parameters for the simulated circuit are shown in Table II. Here, the parameters are chosen to be diverse. The parameter  $k$  is the feedback control gain set for the PBC of each converter. The load resistance is  $R = 12 \Omega$ . The switches and the diodes are considered ideal.

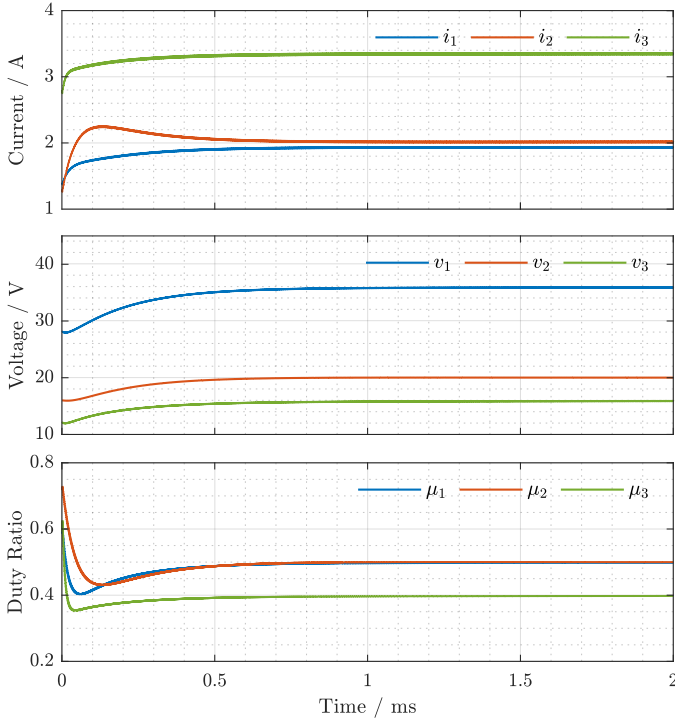


Fig. 10. Numerical waveforms of output series-parallel converters for the ideal case with no disturbances.

As for control, the PBC explained in section II are applied to each converter. The duty ratios for the switches of boost, buck, and buck-boost converters are governed by (13), (16), and (19), respectively. The calculated duty ratios are converted to the switching signal by PWM at 1 MHz. The sampling frequency of the state variables is also set at 1 MHz, and the calculation of the duty ratios is executed instantly. The feedback control scheme follows the schematic diagram shown in Fig. 3.

The initial state and the desired state of the simulated circuit are given in Table III and Table IV, respectively. The desired state is determined for the converters to have various voltage, current, and power levels at the steady-state. In the simulation, we first consider the ideal case that there is no disturbance in the system, to confirm the asymptotic stability numerically. Then, we also consider the cases that there are perturbations or fluctuations at the input voltage source or the output load, in order to examine the robustness of the proposed control method. These simulation scenarios are based on the previous works in [20], [21].

## B. Results

1) *Ideal Case:* The simulated waveforms of the output series-parallel converters in the ideal case are shown in Fig. 10. It can be seen from Fig. 10 that the waveforms converge to the desired state shown in Table IV. Therefore, PBC was numerically confirmed to achieve the asymptotic stability of the series-parallel boost, buck, and buck-boost converters. It was also confirmed that the diversity in each converter did not violate the asymptotic stability. This implies the robust feature of PBC that it allows the diverse voltage,

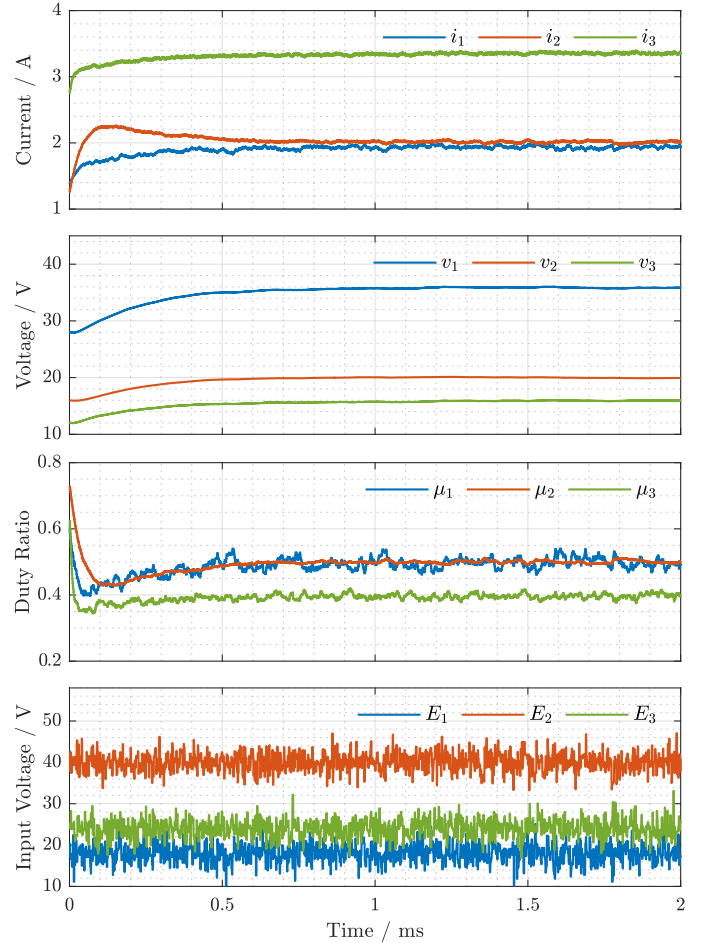


Fig. 11. Numerical waveforms of output series-parallel converters with random perturbation input.

current, and power levels among various circuit parameters in the series-parallel connection.

2) *Perturbation at Input Voltage Source:* For this simulation, a random perturbation was added to the input voltage sources  $E_1$ ,  $E_2$ , and  $E_3$ . The maximum peak-to-peak magnitude of the perturbation was chosen to be approximately 10 V. This is 55.6%, 41.7%, and 25.0% of the values of  $E_1$ ,  $E_2$ , and  $E_3$ , respectively.

Fig. 11 shows the simulated waveforms of the output series-parallel converters with the perturbation inputs. The bottom graph shows the perturbed input voltage. As can be seen, the proposed PBC achieves the stability of the system around the desired state of Table IV. The instantaneous errors of the input currents and the output voltages from their desired states are less than 4.1% and 1.9%, respectively. The variations of computed duty ratios are within 5.0% of the total range of the closed interval [0,1]. Hence, the error in the system is found to be significantly reduced compared to the input perturbation. PBC exhibited high robustness with regards to the perturbed inputs. It is worth noting that the low-pass nature of the converter itself also contributes to the reduction of the error as well as the control.

3) *Temporary Fluctuation of Output Load:* Unknown load resistance variations generally affect the behavior of the



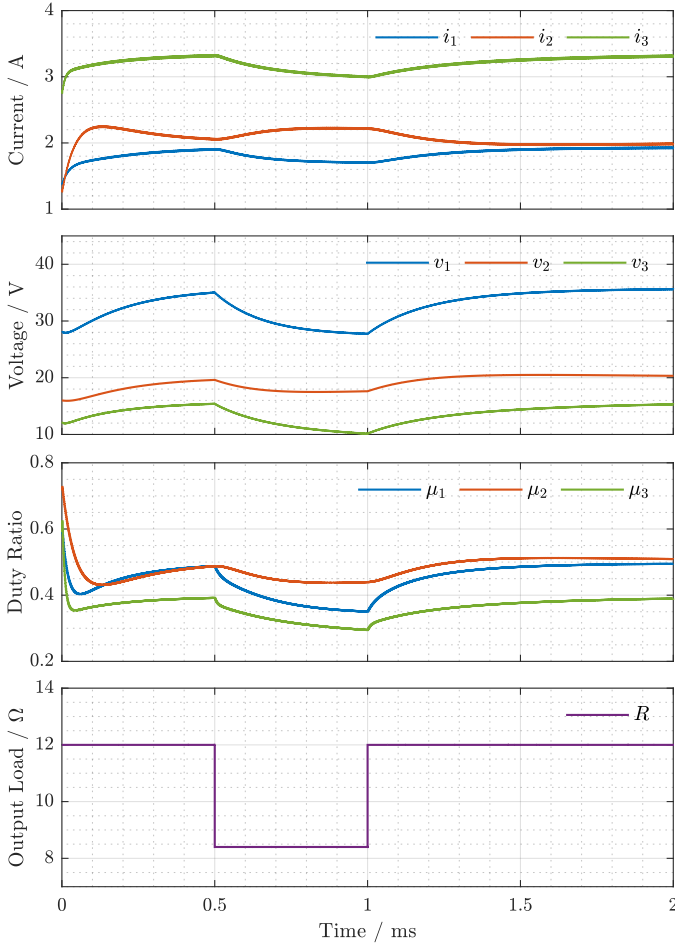


Fig. 12. Numerical waveforms of output series-parallel converters with temporary load fluctuation.

closed-loop performance of the controlled converter [21]. In this simulation, temporary fluctuation of the output load resistance  $R$  was given. The obtained waveforms are shown in Fig. 12. As seen in the bottom graph, the output load resistance temporarily decreases to 70% of its nominal value. It is confirmed that the PBC restores its asymptotic stability after the change, converging towards the desired state of Table IV. The temporary change of the load did not violate the stability nor the proper steady-state operation of the output series-parallel converters regulated by PBC.

### C. Discussions

In this section, we numerically confirmed the stability and the robustness of the output series-parallel converters regulated by PBC. The simulated results showed correspondence to the theoretical discussions in that PBC achieved the stabilization of output series-parallel converters with various circuit topologies, parameters, and steady-states. The robustness of the proposed control was also examined through the perturbations. Although the obtained waveforms highly depend on the settings of the circuit parameters, desired states, and disturbances, the overall features of stability and robustness are likely to remain widely, since our consideration does not require any specific settings of the system. These

features correspond to the experimental result in [28], where PBC was shown to asymptotically stabilize the paralleled boost and buck converters with various parameters and steady-states.

## V. CONCLUSION

In this paper, we examined the asymptotic stability of the output series-parallel dc-dc converters regulated by PBC. We introduced the dc-dc converter model with the additional variable representing the output interaction to describe the series-parallel connection of the converters. Then, the output series-parallel converters were shown to be reclassified into the general dc-dc converter model. This feature enabled us to discuss the asymptotic stability of the series-parallel converters based on the condition obtained from the general converter model. Consequently, the converters regulated by PBC were proved to maintain their stability at the output series-parallel connection. The theoretical result was verified in the numerical simulation of series-parallel boost, buck, and buck-boost converters. The stable and robust features of the proposed control were confirmed in the simulation. PBC allowed diverse circuit topologies, parameters, and steady-states of the output series-parallel dc-dc converters. Our contribution is able to theoretically support the previous numerical and experimental studies for the series-parallel converters regulated by PBC, justifying the further extension of the system.

## REFERENCES

- [1] Y. Huang and C. K. Tse, "Circuit theoretic classification of parallel connected dc-dc converters," *IEEE Transactions on Circuits and Systems I: Regular Papers*, vol. 54, no. 5, pp. 1099–1108, 2007.
- [2] Shiguo Luo, Zhihong Ye, Ray-Lee Lin, and F. C. Lee, "A classification and evaluation of paralleling methods for power supply modules," in *30th Annual IEEE Power Electronics Specialists Conference. Record. (Cat. No.99CH36321)*, vol. 2, 1999, pp. 901–908 vol.2.
- [3] W. Chen, X. Ruan, H. Yan, and C. K. Tse, "Dc/dc conversion systems consisting of multiple converter modules: Stability, control, and experimental verifications," *IEEE Transactions on Power Electronics*, vol. 24, no. 6, pp. 1463–1474, 2009.
- [4] D. Ma, W. Chen, and X. Ruan, "A review of voltage/current sharing techniques for series-parallel-connected modular power conversion systems," *IEEE Transactions on Power Electronics*, vol. 35, no. 11, pp. 12 383–12 400, 2020.
- [5] G. R. Walker and P. C. Sernia, "Cascaded dc-dc converter connection of photovoltaic modules," *IEEE Transactions on Power Electronics*, vol. 19, no. 4, pp. 1130–1139, 2004.
- [6] R. C. N. Pilawa-Podgurski and D. J. Perreault, "Submodule integrated distributed maximum power point tracking for solar photovoltaic applications," *IEEE Transactions on Power Electronics*, vol. 28, no. 6, pp. 2957–2967, 2013.
- [7] S. Poshtkouhi, V. Palaniappan, M. Fard, and O. Trescases, "A general approach for quantifying the benefit of distributed power electronics for fine grained mppt in photovoltaic applications using 3-d modeling," *IEEE Transactions on Power Electronics*, vol. 27, no. 11, pp. 4656–4666, 2012.
- [8] X. Xiong, C. K. Tse, and X. Ruan, "Bifurcation analysis of standalone photovoltaic-battery hybrid power system," *IEEE Transactions on Circuits and Systems I: Regular Papers*, vol. 60, no. 5, pp. 1354–1365, 2013.
- [9] M. Uzunoglu, O. Onar, and M. Alam, "Modeling, control and simulation of a pv/fc/uc based hybrid power generation system for stand-alone applications," *Renewable Energy*, vol. 34, no. 3, pp. 509–520, 2009.
- [10] F. Blaabjerg, Zhe Chen, and S. B. Kjaer, "Power electronics as efficient interface in dispersed power generation systems," *IEEE Transactions on Power Electronics*, vol. 19, no. 5, pp. 1184–1194, 2004.

- [11] X. Zhang, X. Ruan, and C. K. Tse, "Impedance-based local stability criterion for dc distributed power systems," *IEEE Transactions on Circuits and Systems I: Regular Papers*, vol. 62, no. 3, pp. 916–925, 2015.
- [12] D. Peng, M. Huang, J. Li, J. Sun, X. Zha, and C. Wang, "Large-signal stability criterion for parallel-connected dc–dc converters with current source equivalence," *IEEE Transactions on Circuits and Systems II: Express Briefs*, vol. 66, no. 12, pp. 2037–2041, 2019.
- [13] M. Ayad, M. Becherif, A. Henni, A. Aboubou, M. Wack, and S. Laghrouche, "Passivity-based control applied to dc hybrid power source using fuel cell and supercapacitors," *Energy Conversion and Management*, vol. 51, no. 7, pp. 1468–1475, 2010.
- [14] A. Tofighi and M. Kalantar, "Power management of pv/battery hybrid power source via passivity-based control," *Renewable Energy*, vol. 36, no. 9, pp. 2440–2450, 2011.
- [15] C. K. Tse, "Flip bifurcation and chaos in three-state boost switching regulators," *IEEE Transactions on Circuits and Systems I: Fundamental Theory and Applications*, vol. 41, no. 1, pp. 16–23, 1994.
- [16] E. Fossas and G. Olivar, "Study of chaos in the buck converter," *IEEE Transactions on Circuits and Systems I: Fundamental Theory and Applications*, vol. 43, no. 1, pp. 13–25, 1996.
- [17] S. K. Mazumder, A. H. Nayfeh, and A. Borojevic, "Robust control of parallel dc-dc buck converters by combining integral-variable-structure and multiple-sliding-surface control schemes," *IEEE Transactions on Power Electronics*, vol. 17, no. 3, pp. 428–437, 2002.
- [18] H. R. Baghaee, M. Mirsalim, G. B. Gharehpetian, and H. A. Talebi, "A generalized descriptor-system robust  $H_\infty$  control of autonomous microgrids to improve small and large signal stability considering communication delays and load nonlinearities," *International Journal of Electrical Power & Energy Systems*, vol. 92, pp. 63–82, 2017.
- [19] R. Ortega, A. van der Schaft, B. Maschke, and G. Escobar, "Interconnection and damping assignment passivity-based control of port-controlled hamiltonian systems," *Automatica*, vol. 38, no. 4, pp. 585–596, 2002.
- [20] H. Sira-Ramirez, R. Perez-Moreno, R. Ortega, and M. Garcia-Esteban, "Passivity-based controllers for the stabilization of dc-to-dc power converters," *Automatica*, vol. 33, no. 4, pp. 499–513, 1997.
- [21] R. Ortega, J. Perez, P. Nicklasson, and H. Sira-Ramirez, *Passivity-based Control of Euler-Lagrange Systems: Mechanical, Electrical and Electromechanical Applications*, ser. Communications and Control Engineering. Springer-Verlag, 1998.
- [22] H. Sira-Ramirez and R. Silva-Ortigoza, *Control Design Techniques in Power Electronics Devices*, 2006th ed. Springer-Verlag, 2006.
- [23] R. Ortega, A. J. Van Der Schaft, I. Mareels, and B. Maschke, "Putting energy back in control," *IEEE Control Systems Magazine*, vol. 21, no. 2, pp. 18–33, April 2001.
- [24] C. Desoer and E. Kuh, *Basic Circuit Theory*, ser. McGraw Hill international editions: Electrical and electronic engineering series. McGraw-Hill, 1969.
- [25] J. Kassakian, M. Schlecht, and G. Verghese, *Principles of Power Electronics*, ser. Addison-Wesley series in electrical engineering. Addison-Wesley, 1991.
- [26] R. W. Erickson and D. Maksimović, *Fundamentals of Power Electronics*. Boston, MA: Springer US, 2001, vol. 53, no. 9.
- [27] T. Hikiyama and Y. Murakami, "Regulation of parallel converters with respect to stored energy and passivity characteristics," *IEICE Transactions on Fundamentals of Electronics, Communications and Computer Sciences*, vol. E94-A, no. 3, pp. 1010–1014, 2011.
- [28] Y. Murakawa, Y. Sadanda, and T. Hikiyama, "Parallelization of boost and buck type dc-dc converters by individual passivity-based control," *IEICE Transactions on Fundamentals of Electronics, Communications and Computer Sciences*, vol. E103.A, no. 3, pp. 589–595, 2020.
- [29] A. J. van der Schaft, "Port-controlled hamiltonian systems: Towards a theory for control and design of nonlinear physical systems," *Journal of the Society of Instrument and Control Engineers*, vol. 39, no. 2, pp. 91–98, 2000.
- [30] P. T. Krein, J. Bentsman, R. M. Bass, and B. L. Lesieutre, "On the use of averaging for the analysis of power electronic systems," *IEEE Transactions on Power Electronics*, vol. 5, no. 2, pp. 182–190, 1990.
- [31] R. Silva-Ortigoza, F. Carrizosa-Corral, J. Gálvez-Gamboa, M. Marcelino-Aranda, D. Muñoz Carrillo, and H. Taud, "Assessment of an average controller for a dc/dc converter via either a pwm or a sigma-delta-modulator," *Abstract and Applied Analysis*, vol. 2014, 2014.