

VECTORTSP: A Traveling Salesperson Problem with Racetrack-like acceleration constraints

Arnaud Casteigts, Mathieu Raffinot, and Jason Schoeters

LaBRI, Université de Bordeaux, CNRS, Bordeaux INP, France

Abstract. We study a new version of the Euclidean TSP called VECTORTSP (VTSP for short) where a mobile entity is allowed to move according to a set of physical constraints inspired from the pen-and-pencil game *Racetrack* (also known as *Vector Racer*). In contrast to other versions of TSP accounting for physical constraints, such as Dubins TSP, the spirit of this model is that (1) no speed limitations apply, and (2) inertia depends on the current velocity. As such, this model is closer to typical models considered in path planning problems, although applied here to the visit of n cities in a non-predetermined order.

We motivate and introduce the VECTORTSP problem, discussing fundamental differences with previous versions of TSP. In particular, an optimal visit order for ETSP may not be optimal for VTSP. We show that VECTORTSP is NP-hard, and in the other direction, that VECTORTSP reduces to GROUPTSP in polynomial time (although with a significant blow-up in size). On the algorithmic side, we formulate the search for a solution as an interactive scheme between a high-level algorithm and a *trajectory oracle*, the former being responsible for computing the visit order and the latter for computing the cost (or the trajectory) for a given visit order. We present algorithms for both, and we demonstrate and quantify through experiments that this approach frequently finds a better solution than the optimal trajectory realizing an optimal ETSP tour, which legitimates the problem itself and (we hope) motivates further algorithmic developments.

1 Introduction

The problem of visiting a given set of places and returning to the starting point, while minimizing the total cost, is known as the Traveling Salesperson Problem (TSP, for short). The problem was independently formulated by Hamilton and Kirkman in the 1800s and has been extensively studied since. Many versions of this problem exist, motivated by applications in various areas, such as delivery planning, stock cutting, and DNA reconstruction. In the classical version, an instance of the problem is specified as a graph whose vertices represent the *cities* (places to be visited) and weights on the edges represent the cost of moving from one city to another (the move is impossible if the edge does not exist). One is asked to find the minimum cost tour (optimization version) or to decide whether a tour having at most some cost exists (decision version) subject to the constraint that every city is visited *exactly* once. Karp proved in 1972 that the Hamiltonian Cycle problem is NP-hard, which implies that TSP is NP-hard [15]. TSP was subsequently shown to be inapproximable (unless $P = NP$) by Orponen and Manilla in 1990 [20]. On the positive side, while the trivial algorithm has a factorial running time (essentially, evaluating all permutations of the visit order), Held and Karp presented a dynamic programming algorithm [13] running in time $O(n^2 2^n)$, which as of today remains the fastest we know.

In many cases, the problem is restricted to more tractable settings. In Metric TSP, the costs must respect the triangle inequality, namely $cost(u, v) \leq cost(u, w) + cost(w, v)$ for all u, v, w , and the constraint of visiting a city exactly once is relaxed (or equivalently, it is not, but the instance is turned into a complete graph where the weight of every edge uv is the cost of a shortest *path* from u to v in the original instance). Metric TSP was shown to be approximable within factor 1.5 by Christofides [7]. Whether the factor is optimal is unknown, although it cannot be less than 1.0045 (unless $P = NP$) and so no PTAS exists for Metric TSP [21]. A particular case of Metric TSP is when the cities are points in the plane, and weights are the Euclidean distance between them, known as the Euclidean TSP (ETSP, for short). This problem, although still NP-hard (see Papadimitriou [22] and Garey *et al.* [12]), was shown to admit a PTAS by Arora [3] and Mitchell [17].

An attempt to add physical constraints to the ETSP is Dubins TSP (DTSP). This version of TSP, which is also NP-hard (Le Ny *et al.* [16]), accounts for inertia through bounding by a fixed radius the curvature of a trajectory. This approach offers an elegant (*i.e.* purely geometrical) abstraction to the problem. However, it does not account for speed variations; for example, it does not enable sharper turns when the speed is low, nor does it account for inertia beyond a fixed speed. More realistic models have been considered beyond TSP, such as in the context of the path planning problem, where one aims to find an optimal trajectory between two given points (with obstacles), while satisfying constraints on acceleration/inertia. More generally, the literature on *kinodynamics* is vast (see, e.g. [5, 6, 9] for some relevant examples). The constraints are often formulated in terms of the considered space's dimensions, a bounded acceleration and a bounded speed. The positions may either be considered in a discrete domain or continuous domain, the latter being more related to the fields of control theory and analytic functions. In contrast, the discrete domain is naturally prone to algorithmic investigation.

In a recreative column of the *Scientific American* in 1973 [11], Martin Gardner presented a paper-and-pencil game known as *Racetrack* (or *Vector Racer*). The physical model is as follows. In each step, a vehicle moves according to a discrete-coordinate vector (initially the zero vector), with the constraint that the vector at step $i + 1$ cannot differ from the vector at step i by more than one unit in each dimension. The game consists of finding the best trajectory (smallest number of vectors) in a given race track defined by start/finish areas and polygonal boundaries. A nice feature of such models is the ability to think of the state of the vehicle at a given time as a point in a double dimension *configuration space*, such as (x, y, dx, dy) when the original space is \mathbb{Z}^2 . The optimal trajectory can then be found by performing a breadth-first search in the configuration graph (these techniques are described later on). These techniques were rediscovered many times, both in the racetrack context (see *e.g.* [24, 4, 19, 10]) and in the kinodynamics literature (see *e.g.* [9, 5])—we will consider them as folklore.

Defining a version of TSP based on a racetrack-like physical model is quite natural. Consider, for instance, a scenario involving a spacecraft in a simplified physical setting (*i.e.* non-relativized and without gravity), where no speed limit applies and acceleration constraints are identical in all directions. Finding the best tour visiting a given set of planets, or asking whether such a tour can be performed in a given time are indeed natural questions and objectives. Another, perhaps more realistic, scenario involves a drone taking aerial pictures of a set of locations. Despite an extensive literature, the TSP problem does not seem to have been investigated from the point of view of pure

acceleration. (Anecdotally, there exists a TSP heuristics called “racetrack” [25], which does not relate to such models, nor to acceleration in general.)

1.1 Contributions

In this paper, we introduce a version of the Traveling Salesperson Problem called VECTORTSP (or VTSP), in which a vehicle must visit a given set of points in some Euclidean space and return to the starting point, subject to racetrack-like constraints. The quality of a solution is the *number* of vectors (equivalently, of configurations) it uses. We start by presenting a generalized racetrack physical model, in Section 2, and reviewing some of its algorithmic features, including known techniques based on the graph of configurations. Then, we define the VTSP problem in a quite general setting, where the space may be discrete or continuous, in an arbitrary number of dimensions (namely, \mathbb{Z}^d or \mathbb{R}^d). An instance may be parameterized by two additional parameters: the maximum speed at which a city is considered as visited (visit speed ν), the speed being otherwise unbounded; and the maximum distance at which a city is considered as visited (visit distance α). These parameters correspond to natural motivations. For example, if the aforementioned space mission consists of dropping or collecting passengers in given “city”, then the vehicle might need to slow down (or stop) at visit time; if it consists of making quick measurements, then the visit speed is unconstrained and some distance from the visited city may even be tolerated.

In Section 3, we make a number of general observations about VTSP. In particular, optimizing the racetrack trajectory of an optimal ETSP tour may not result in an optimal VTSP solution: the visit order is impacted by acceleration. Another key observation is that even if the speed is unbounded, one can easily compute a loose bound on the maximal speed to be considered in the search for an optimal solution, with important consequences on the computational complexity of the problem. In fact, we prove that VTSP is NP-hard under a natural parameterization (and therefore, in general), and in the other direction, it polynomially reduces to GROUPTSP, however with a significant blow-up in the input size. On the algorithmic side, we present in Section 4 a modular approach to address VTSP based on an interactive scheme between a high-level algorithm and a trajectory oracle. The first is responsible for exploring the space of possible visit orders, while making queries to the second for knowing the cost (or full trajectory) associated with a given visit order. We present algorithms for both. The high-level algorithm adapts a known heuristic for ETSP, trying to gradually improve the solution through generating a set of 2-permutations (swaps of two cities) until a local optimum is found. As for the oracle, we present an algorithm which adapts the A* framework to multipoint paths in the configuration space, using an original cost function based on unidimensional projections of the cities coordinates.

In Section 5, we present a few experimental results based on this algorithmic framework. Beyond demonstrating the practicality of our algorithms, our results motivate the problem itself, by showing empirical evidence that the optimum trajectory resulting from an optimal ETSP tour is unlikely to be optimal for VTSP, and so, in most natural settings. In particular, the probability that our algorithm improves upon such a trajectory seems to approach 1 as the number of cities increase in a fixed area. Due to space constraints, some proofs (marked with ★) are deferred to the appendix.

2 Model and definitions

In this section, we present a generalized version of the racetrack model, highlighting some of its algorithmic features. Then, we define VECTORTSP in generality, making observations and presenting preliminary results that are used in the subsequent sections.

2.1 Generalized Racetrack model

Let us consider a mobile entity (hereafter, the *vehicle*), moving in a discrete or continuous Euclidean space \mathbb{S} of some dimension d (for example, $\mathbb{S} = \mathbb{Z}^2$ or $\mathbb{S} = \mathbb{R}^3$). The state of the vehicle at any time is given by a *configuration* c , which is a couple containing a position $pos(c)$ and a velocity $vel(c)$, both encoded as elements of \mathbb{S} . For example, if $\mathbb{S} = \mathbb{Z}^2$, then a configuration c is of the form $((x, y), (dx, dy))$. Furthermore, we write $speed(c)$ for $\|vel(c)\|$. Given a configuration c , the set of configurations being reachable from c in a single time step, *i.e.*, the successors of c , is written as $\mathit{succ}(c)$ and is model-dependent.

The original model presented by Gardner [11] corresponds to the case that $\mathbb{S} = \mathbb{Z}^2$, and given two configurations c_i and c_j , written as above, $c_j \in \mathit{succ}(c_i)$ if and only if $x_j = x_i + dx_i \pm 1$ and $dx_j = x_j - x_i$, and $y_j = y_i + dy_i \pm 1$ and $dy_j = y_j - y_i$. In other words, the velocity of a configuration corresponds to the difference between its position and the position of the previous configuration, and this difference may only vary by one unit in each dimension in one time step. In the following, we refer to this model as the 9-successor model, and to the case that at most one dimension can change in one time step as the 5-successor model. These models can be naturally extended to continuous space, by considering that the set of successors is infinite, typically amounting to choosing a point in a d -sphere, as illustrated on Figure 1.

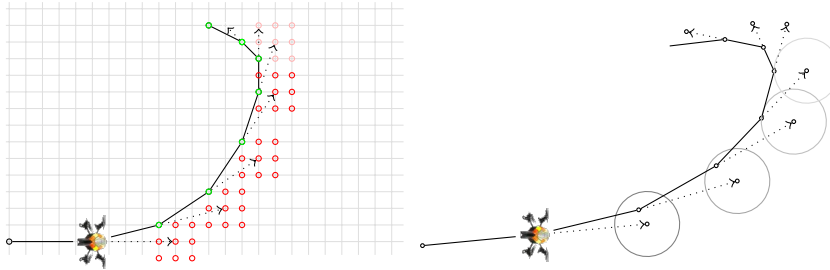


Fig. 1: Discrete and continuous space racetrack models (left and right, respectively).

Definition 1 (Trajectory). A trajectory (of length k) is a sequence of configurations c_1, c_2, \dots, c_k . It is called valid if $c_{i+1} \in \mathit{succ}(c_i)$ for all $i < k$.

We define the inverse c^{-1} of a configuration c as the configuration that represents the same movement in the opposite direction. For example, if $\mathbb{S} = \mathbb{Z}^2$ and $c = ((x, y), (dx, dy))$, then $c^{-1} = ((x + dx, y + dy), (-dx, -dy))$. A successor function is *symmetrical* if $c_j \in \mathit{succ}(c_i)$ if and only if $c_i^{-1} \in \mathit{succ}(c_j^{-1})$. Intuitively, this implies that if (c_1, c_2, \dots, c_k) is a valid trajectory, then $(c_k^{-1}, \dots, c_2^{-1}, c_1^{-1})$ is also a valid trajectory: the trajectory is *reversible*. All the models considered in this paper use symmetrical successor functions.

2.1.1 Configuration space

The concept of *configuration space* is a powerful and natural tool in the study of racetrack-like problems. This concept was rediscovered many times and is now considered as folklore. The idea is to consider the graph of configurations induced by the successor function as follows.

Definition 2 (Configuration graph). *Let \mathcal{C} be the set of all possible configurations, then the configuration graph is the directed graph $G(\mathcal{C}) = (V, E)$ where $V = \mathcal{C}$ and $E = \{(c_i, c_j) \subseteq \mathcal{C}^2 : c_j \in \text{succ}(c_i)\}$.*

The configuration graph $G(\mathcal{C})$ is particularly useful when the number of successors of a configuration is bounded by a constant. In this case, $G(\mathcal{C})$ is sparse and one can search for optimal trajectories within it, using standard algorithms like breadth-first search (BFS). For example, in a $L \times L$ subspace of \mathbb{Z}^2 , there are at most L^2 possible positions and at most $O(L)$ possible velocities (the speed cannot exceed \sqrt{L} in each dimension without getting out of bounds [10]), thus $G(\mathcal{C})$ has $\Theta(L^3)$ -many vertices and edges. More generally:

Observation 1 (Folklore). *A breadth-first search (BFS) in a $L \times L$ subspace of \mathbb{Z}^2 can find an optimum trajectory between two given configurations in time $O(L^3)$. A similar observation leads to time $O(L^{9/2})$ in \mathbb{Z}^3 , and more generally $O(L^{3d/2})$ in dimension d .*

Note that the presence of obstacles (if any) results only in the graph having possibly less vertices and edges. (We do not consider obstacles in this paper.)

2.2 Definition of VECTOR TSP

Informally, VECTOR TSP is defined as the problem of finding a minimum length trajectory (optimization version), or deciding if a trajectory of at most a given length exists (decision version), which visits a given set of unordered cities (points) in some Euclidean space, subject to racetrack-like physical constraints. As explained in the introduction, we consider additional parameters to the problem, which are (1) *Visit speed* ν : maximum speed at which a city is visited; (2) *Visit distance* α : maximum distance at which a city is visited; and (3) *Vector completion* β : (*true/false*) whether the visit distance is evaluated only at the coordinates of the configurations, or also in-between configurations. The first two parameters are already discussed in the introduction. The visit distance is actually similar in spirit to the *TSP with neighborhood* [2]. The third parameter is more technical, although it could be motivated by having a specific action (sensing, taking pictures, etc.) being realized only at periodic times.

Considering Figure 2, if ν is 7 or less, α is 2 or more, and $\beta = \text{false}$, then the city (circle) is considered as visited by the middle red vector. If either $\nu < 7$, $\alpha < 2$, or $\beta = \text{true}$, the city is not visited.



Fig. 2: A trajectory visiting a city.

We are now ready to define VECTOR TSP. For simplicity, the definitions rely on discrete space ($\mathbb{S} = \mathbb{Z}^d$), to avoid technical issues with the representation of real numbers, in particular their impact on the input size. Similarly, we require the parameters ν and α to be integers and β to be a boolean. However, the problem might be adaptable to continuous space without much complications, possibly with the use of a *real RAM* abstraction [23].

Definition 3. VECTOR-TSP (*decision version*)

Input: A set of n cities (points) $P \subseteq \mathbb{Z}^d$, a distinguished city $p_0 \in P$, two integer parameters ν and α , a boolean parameter β , a polynomial-time-computable successor function succ , a positive integer k , and a trivial bound Δ encoded in unary.

Question: Does there exist a valid trajectory $\mathcal{T} = (c_1, \dots, c_k)$ of length k that visits all the cities in P , with $\text{pos}(c_1) = \text{pos}(c_k) = p_0$ and $\text{speed}(c_1) = \text{speed}(c_k) = 0$.

The role of parameter Δ is to guarantee that the length of the optimal trajectory is polynomially bounded in the size of the input. Without it, an instance of even two cities could be artificially hard due to the sole distance between them [14, 10]. As we will see, one can always find a (possibly sub-optimal) solution trajectory of $\text{poly}(L)$ configurations, where L is the maximum distance between two points in any dimension, and similarly, a solution trajectory must have length at least \sqrt{L} . Therefore, writing $\Delta = \text{unary}(\lfloor \sqrt{L} \rfloor)$ in the input is sufficient. The optimization version is defined analogously.

Definition 4. VECTOR-TSP (*optimization version*)

Input: A set of n cities (points) $P \subseteq \mathbb{Z}^d$, a distinguished city $p_0 \in P$, two integer parameters ν and α , a boolean parameter β , a polynomial-time-computable successor function succ , and a trivial bound Δ encoded in unary.

Output: Find a valid trajectory $T = (c_1, \dots, c_k)$ of minimum length visiting all the cities in P , with $\text{pos}(c_1) = \text{pos}(c_k) = p_0$ and $\text{speed}(c_1) = \text{speed}(c_k) = 0$.

Tour vs. trajectory (terminology): In the Euclidean TSP, the term *tour* denotes both the visit order and the actual path realizing the visit, because both coincide. In VECTOR-TSP, a given visit order could be realized by many possible trajectories. To avoid ambiguities, we always refer to a visit order (*i.e.*, a permutation π of P) as a *tour*, while reserving the term *trajectory* for the actual sequence of racetrack configurations. Furthermore, we denote by $\text{racetrack}(\pi)$ an optimal (*i.e.*, min-length) racetrack trajectory realizing a given tour π (irrespective of the quality of π).

Default setting: In the rest of the paper, we call *default setting* the 9-successor model in two dimensional discrete space ($\mathbb{S} = \mathbb{Z}^2$), with unrestricted visit speed ($\nu = \infty$), zero visit distance ($\alpha = 0$), and non-restricted vector completion ($\beta = \text{false}$). Most of the results are however transposable to other values of the parameters and to higher dimensions.

3 Preliminary results

In this section we make general observations about VECTOR-TSP, some of which are used in the subsequent sections. In particular, we highlight those properties which are distinct from Euclidean TSP.

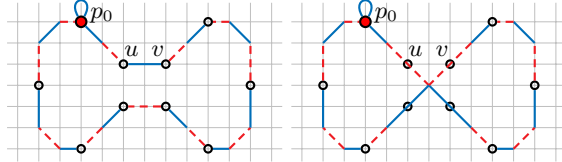
Fact 2 (★). *The starting city has an impact on the cost of an optimal solution.*

This fact is the reason why an input instance of VECTOR-TSP is also parameterized by a starting city $p_0 \in P$. More generally, the cost of traveling between two given cities is

impacted by the previous and subsequent positions of the vehicle and cannot be captured by a fixed cost, which is why VTSP does not straightforwardly reduce to classical TSP. The following fact strengthens the distinctive features of VTSP, showing that it does not straightforwardly reduce to ETSP either.

Fact 3. *Let \mathcal{I} be a VTSP instance on a set of cities P , in the default setting. Let π be an optimal tour for an ETSP instance on the same set of cities P , then $\text{racetrack}(\pi)$ may not be an optimal solution to \mathcal{I} .*

Example. Consider the following example, where the trajectories alternate between dashed red and plain blue vectors. On the left picture, the trajectory corresponds to an optimal realization of the optimal ETSP tour π , starting and ending at p_0 (whence the final deceleration loop). It is not hard to see that this trajectory is indeed optimal for π . In contrast, an optimal VTSP trajectory visiting the same cities (right picture) would use two configurations less, based on a non-optimal tour π' for ETSP. \square



Hence, solving VTSP does not reduce to optimizing the trajectory of an optimal ETSP solution: the visit order is impacted. Furthermore, we observe the following property:

Fact 4. *An optimal VTSP solution may self-cross.*

3.1 The configuration space can be bounded

The spirit of the racetrack model is to focus on acceleration only, without bounding the speed. Nonetheless, we show here that a VECTOR TSP trajectory in general (and an optimal one in particular) can always be found within a certain subgraph of the configuration graph, whose size is polynomially bounded in the size of the input. These results are formulated in the default setting for any discrete d -dimensional space.

Lemma 5 (Bounds on the solution length). *Let P be a set of cities and L be the largest distance in any dimension (over all d dimensions) between two cities of P . Then a solution trajectory must contain at least \sqrt{L} configurations. Furthermore, there always exists a solution trajectory of $O(L^d)$ configurations.*

Proof. The lower bound follows from the fact that it takes at least \sqrt{L} configurations to travel a distance of L (starting at speed 0), the latter being a lower bound on the total distance to be traveled. The upper bound can be obtained by exploring all the points of the d -dimensional rectangular hull containing the cities in P at unit speed, which amounts to $O(L^d)$ configurations. \square

Lemma 6 (Bounds on the configuration graph). *An (optimal) trajectory for VTSP can be found in a subgraph of the configuration graph with polynomially many vertices and edges (in the size of the input), namely $O(L^{d^2})$.*

Proof. First observe that if there exists a trajectory of $O(L^d)$ configurations, then this bound also applies to an optimal trajectory. Now, we know that a trajectory corresponds to a path in $G(\mathcal{C})$, thus an optimal trajectory can be found within the subgraph of $G(\mathcal{C})$ induced by the vertices at distance at most $O(L^d)$ from the starting point, which consists of $O(L^{d^2})$ vertices in total. \square

3.2 A glimpse at computational complexity

Here, we present polynomial time transformations from VECTOR TSP to other NP-hard problems and vice versa. Precisely, we establish NP-hardness of a particular parameterization of VECTOR TSP (and thus, of the general problem) where the visit speed ν is zero. The reduction is from EXACTCOVER and is based on Papadimitriou’s proof to show NP-hardness of ETSP. More interestingly, we present a general reduction from VECTOR TSP to GROUP TSP. This reduction relies crucially on Lemma 6 above.

3.2.1 NP-hardness of VECTOR TSP

Let \mathcal{U} be a set of m elements (the *universe*), the problem EXACTCOVER takes as input a set $\mathcal{F} = \{F_i\}$ of n subsets of \mathcal{U} , and asks if there exists $\mathcal{F}' \subseteq \mathcal{F}$ such that all sets in \mathcal{F}' are *disjoint* and \mathcal{F}' covers all the elements of \mathcal{U} .

Theorem 7 (★). EXACTCOVER *reduces in polynomial time to VECTOR TSP with $\nu = 0$.*

The proof (see Appendix A.2) considers a particular parameterization of VTSP where the visit speed ν is 0, visit distance α is 0, and vector completion β is arbitrary (though setting the visit speed at 0 makes it *de facto* equivalent to $\beta = true$). It adapts Papadimitriou’s proof for showing that ETSP is NP-hard [22]. Admittedly, the fact that Theorem 7 relies on a visit speed $\nu = 0$, although implying that VECTOR TSP in general is NP-hard, is not satisfactory. The more natural question is whether VECTOR TSP is NP-hard without constraining the visit speed (e.g. in the default setting). Unfortunately, no reduction was found despite significant efforts.

Open question 1. *Is VECTOR TSP NP-hard in the particular case of the default setting?*

3.2.2 Transformation from VECTOR TSP to GROUP TSP

Here, we show that VTSP reduces in polynomial time to the so-called GROUP TSP (also known as SET TSP or GENERALIZED TSP), where the input is a set of cities partitioned into groups, and the goal is to visit at least one city in each group.

Lemma 8. VTSP *reduces to GROUP TSP in polynomial time in the size of the input.*

Proof. Let \mathcal{I} be the original VTSP instance and n the number of cities in \mathcal{I} . Each city in \mathcal{I} can be visited in a number of different ways, each corresponding to a different configuration in \mathcal{C} (the set of all possible configurations). The strategy is to create a city in \mathcal{I}' for each configuration that visits at least once city in \mathcal{I} , and group them according to which city of \mathcal{I} they visit (the other configurations are discarded). Thus, visiting a city in each group of \mathcal{I}' corresponds to visiting all cities in \mathcal{I} . Depending on the parameters of the model (visit speed, visit distance, vector completion), it may happen that a same configuration visits several cities in \mathcal{I} , which implies that the groups may overlap; however, Noon and Bean show in [18] that a GTSP instance with overlapping groups can be transformed into one with mutually exclusive groups at the cost of creating k copies of a city when it appears originally in k different groups. Thus we proceed without worrying about overlaps. Let X be the set of cities in \mathcal{I} , and $\mathcal{C}(x) \subseteq \mathcal{C}$ be the configurations which visit city $x \in X$.

Instance \mathcal{I}' is defined by creating a city for each configuration in $\cup_{x \in X} \mathcal{C}(x)$ and a group for each $\mathcal{C}(x)$. An arc is added between all couples (c_1, c_2) of cities in \mathcal{I}' such that c_1 and c_2 belong to different groups; the weight of this arc is the distance between c_1 and c_2 in the configuration graph. Thus, a trajectory using k configurations to visit all the cities in \mathcal{I} corresponds to a tour of cost k visiting at least one city in each group in \mathcal{I}' . The fact that the reduction is polynomial (both in time and space) results from the facts that (1) there is a polynomial number of relevant configurations (Lemma 6), each one being copied at most n times; and (2) the distance between two configurations in the configuration graph can be computed in polynomial time (Observation 1). \square

Note that the reduction described in Lemma 8 implies a prohibitive blow-up in the number of cities. However, it is general in terms of the parameters: any combination ν , α , and β only impacts the set of vectors that visit each city.

4 Algorithms

In this section, we present an algorithmic framework for finding acceptable solutions to VTSP in practical polynomial time. It is based on an interaction between a high-level part that decides the visit order (tour), and a trajectory oracle that evaluates its cost.

4.1 Exploring visit orders (FlipVTSP)

A classical heuristic for ETSP is the so-called 2-opt algorithm [8], also known as Flip. It is a local search algorithm which starts with an arbitrary tour π . In each step, all the possible 2-permutations (*i.e.*, swaps of two cities, or simply flips) of the current tour π are generated. If such a flip π' improves upon π , it is selected and the algorithm recurses on π' . Eventually, the algorithm finds a local optimum whose quality is commonly admitted to be of reasonable quality, albeit without guarantees (the name 2-opt does not reflect an approximation ratio, it stands for 2-permutation local optimality). Adapting this algorithm seems like a natural option for the high-level part of our framework.

The main differences between our algorithm, called FlipVTSP, and its ETSP analogue are that (1) the cost of a tour is not evaluated in terms of distance, but in terms of the required number of racetrack configurations (through calls to the oracle); (2) the tours involving self-crosses are not discarded (see Fact 4); and (3) the number of recursions is polynomially bounded because new tours are considered only in case of improvement, and the length of a trajectory is itself polynomially bounded (Lemma 5). The resulting tour is a local optimum with respect to 2-permutations, also known as a 2-optimal tour. For completeness, the algorithm is given by Algorithm 1 in Appendix B.1 on page 22.

Theorem 9 (★). *One can find a 2-optimal tour for VTSP in time $O(n^2 L^d \tau(n, L))$, where n is the number of cities, L the largest distance between cities in a dimension, d the number of dimensions, and $\tau(n, L)$ the running time complexity of the oracle for computing the cost of an optimal racetrack trajectory visiting the n cities.*

4.2 Optimal racetrack given a fixed visit order (Multipoint A★)

Here, we discuss the problem of computing an optimal racetrack trajectory that visits a set of points *in a given order*. A previous work of interest is Bekos *et al.* [4], which addresses

the problem of computing an optimal racetrack trajectory in a so-called ‘‘Indianapolis’’ track, where the track has a certain width and right-angle turns. This particular setting limits the maximum speed at the turns, which makes it possible to decompose the computation in a dynamic programming fashion. In contrast, the space is open in VTSP, with no simple way to bound the maximum speed. Therefore, we propose a different strategy based on searching for an optimal path in the configuration graph using A*.

The problem: Given an ordered sequence of points $\pi = (p_1, p_2, \dots, p_n)$, compute (the cost of) an optimal trajectory realizing π , *i.e.*, visiting the points in order, starting at p_1 and ending at p_n at zero speeds. (In the particular case of VTSP, p_1 and p_n coincide.)

Finding the optimal trajectory between *two* configurations already suggests the use of path-finding algorithms like BFS, Dijkstra, or A* (see e.g. [24] and [4]). The difficulty in our case is to force the path to visit all the intermediary points in order, despite the fact that the space is open. Our contribution here is to design a cost function that guides A* through these constraints. In general, A* explores the search space by generating a set of successors of the current ‘‘position’’ (in our case, configuration) and estimate the cost of each successor using a problem-specific function. The successors are then inserted into a datastructure (in general, a priority queue) which makes it easy to continue exploration from the position which is globally the best estimated. The great feature of A* is that it is guaranteed to find an optimal path, provided that the cost function does not over-estimate the actual cost, and so, as fast as the estimation is precise.

4.2.1 Cost estimation. For simplicity, we first present how the estimation works relative to the entire tour. Then we explain how to generalize it for estimating an arbitrary intermediate configuration in the trajectory (*i.e.* one that has already visited a certain number of cities and is located at a given position with given velocity). The key insight is that the optimal trajectory, whatever it be,

must obey some pattern in each dimension. Consider, for example, the tour $\pi = \{(5, 10), (10, 12), (14, 7), (8, 1), (3, 5), (5, 10)\}$ shown on Figure 3. In the x -dimension, the vehicle must move at least from 1 to 3, then stop at a *turning point*, change direction, and travel towards 5, then stop and change direction again, and travel back to 1. Thus, any trajectory realizing π can be divided into *at least* three subtrajectories in the x -dimension, whose cost is *at least* the cost of traveling along these segments, starting and ending at speed 0 at the turning points. Thus, in the above example, the vehicle must travel at least along distances 9, 11, and 2 (with zero speed at the endpoints), which gives a cost of at least 16 (*i.e.*, 6, 7, and 3, respectively). The same analysis can be performed in each dimension; then, the actual cost must be *at least the maximum* value among these costs, which is therefore the value we consider as estimation.

In general, the configurations whose estimation is required by A* are more general than the above case. In particular, it has an arbitrary position and velocity, and the vehicle

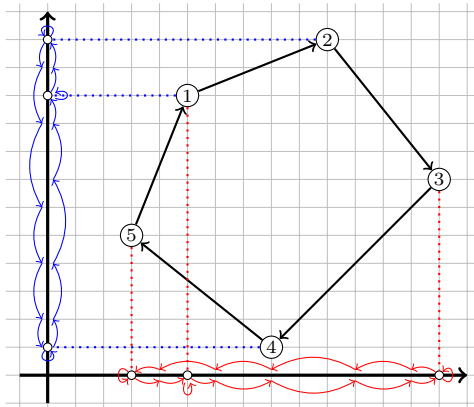


Fig. 3: Projection in each dimension.

may have already visited a number of cities. Therefore, the number of visited cities is stored along a configuration, and the dimensional cost is evaluated against the remaining sub-tour. The only technical difference is that one must carefully take into account the current position and velocity when determining where the next turning point is in the dimensional projection, which however poses no significant difficulty. Concretely, a case-based study of the initial configuration with respect to the first turning point, allows one to self-reduce the estimation to the particular case that the initial speed is zero (possibly at a different starting position). Consequently, the total cost amounts to a sum of costs between consecutive pairs of turning points with zero speed at these points.

Lemma 10. *The cost estimation of a subtour $\pi' = c, p_i, \dots, p_n$, where c is the current configuration and p_i, \dots, p_n is a suffix of π can be computed in $O(n)$ time.*

Proof. As explained, the subtour is first reduced to a subtour $\pi'' = p_{i-1}, p_i, \dots, p_n$. The turning points in π'' are easily identified through a pass over π'' . Their number is at most n because they are a subset of the points in π'' . Finally, the cost between each pair of selected turning points can be computed in constant time [4] (if one neglects the encoding size of an integer representing a coordinate). \square

The reader is referred to [4] for more on computing the cost between two configurations in one dimension. Let us now discuss the running time complexity of the resulting algorithm. In general, A* can have an exponential running time in the solution depth (thus, length of the trajectory). It is however possible, in our case, to make it polynomial.

Theorem 11. *The A* oracle runs in polynomial time, more precisely in time $\tilde{O}(L^{(d^2)}n^2)$.*

Proof. A “configuration” of the A* algorithm (let us call it a state, to avoid ambiguity) is made of a racetrack configuration c together with a number k of visited cities. There are at most $O(L^{(d^2)})$ configurations (Lemma 6) and n cities, thus A* will perform at most $O(L^{(d^2)}n)$ iterations, provided that it does not explore a state twice. Given that the states are easily orderable, the later condition can be enforced by storing all the visited states in an ordered collection that is searchable and insertable in logarithmic time (whence the \tilde{O} notation). Finally, each state is estimated in $O(n)$ time (Lemma 10). \square

The combined use of `FlipVTSP` and `Multipoint A*` thus runs in polynomial time (Theorem 9 and Theorem 11). We now present a way to make the oracle algorithm even faster if one is willing to trade optimality for performance.

4.2.2 A faster heuristic using limited views. The above A* algorithm always finds the optimum, but in practice, it only scales up to medium-sized instances. If one is willing to lose some precision, then a simple trick (also used in the indianapolis case [4]) can be used to scale linearly with the number of cities. The idea is to compute limited sequential sections of the trajectory and glue them together subsequently. Concretely, given a tour $\pi = p_1, \dots, p_n$, the limited view heuristic runs A* on a sliding window of fixed length l (typically 5 or 6) over π . For each offset i of the window, the trajectory is computed from p_i to p_{i+l} (p_n , if less than l cities remain). Then, of the computed trajectory, only the subtrajectory T_i from p_i to p_{i+1} is retained, the offset advances to $i + 1$ and A* is run again, using the last configuration of T_i as initial configuration. Finally, the algorithm returns the concatenation of the T_i s.

5 Experiments and conclusion

In this section, we present a few experiments with the goal to (1) validate the algorithmic framework described in Section 4, and (2) motivate the VTSP problem itself, by quantifying the discrepancy between ETSP and VTSP. The instances were generated by distributing cities uniformly at random within a given square area. For each instance, `Concorde` [1] was used to obtain the reference optimal ETSP tour π . The optimal trajectory T realizing this tour was computed using `Multipoint A*` (with complete view). Then, `FlipVTSP` explored the possible flips (with limited view) until a local optimum is found. An example is shown on Figure 4 (right), resulting from 2 flips on an optimal ETSP tour (left). Finding these flips is left as an exercise. Such an outcome is not rare. Figure 5



(a) Optimal realization of an optimal ETSP tour (128 vectors) (b) Local optima in `FlipVTSP` (120 vectors)

Fig. 4: Example of tour improvement.

shows some measures when varying (1) the number of cities in a fixed area; (2) the size of the area for a fixed number of cities; and (3) both at constant density. For performance, only the flips which did not deteriorate the tour distance by too much were considered (15 %, empirically). Thus, the plots tend to *under-estimate* the impact of VTSP (they already do so, by considering only *local* optima, and *limited view* in the flip phase). The

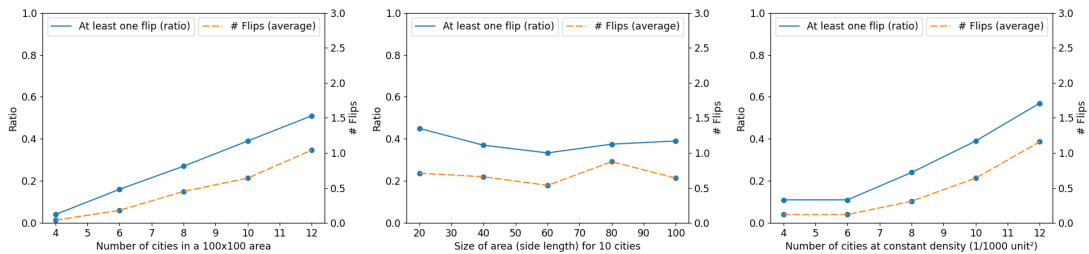


Fig. 5: Varying the number of cities (left), size of the area (middle), and both (right). The plots show the likelihood of at least one flip and the average number of flips (over 100 instances).

results suggest that an optimal ETSP tour becomes less likely to be optimal for VTSP as the number of cities increases (in a fixed area). The size of the area for a fixed number of cities (here, 10) does not seem to have a significant impact. Somewhat logically, scaling both parameters simultaneously (at constant density) seem to favor VTSP as well. Further experiments should be performed for a finer understanding. However, these results are sufficient to confirm that VTSP is a specific problem. We hope that these results and the others from this article will motivate future investigations on this problem.

Bibliography

- [1] David Applegate, Ribert Bixby, Vasek Chvatal, and William Cook. Concorde tsp solver, 2006.
- [2] Esther M Arkin and Refael Hassin. Approximation algorithms for the geometric covering salesman problem. *Discrete Applied Mathematics*, 55(3):197–218, 1994.
- [3] Sanjeev Arora. Polynomial time approximation schemes for euclidean tsp and other geometric problems. In *Proceedings of 37th Conference on Foundations of Computer Science*, pages 2–11. IEEE, 1996.
- [4] Michael A Bekos, Till Bruckdorfer, Henry Förster, Michael Kaufmann, Simon Poschenrieder, and Thomas Stüber. Algorithms and insights for racetrack. *Theoretical Computer Science*, 2018.
- [5] John Canny, Bruce Donald, John Reif, and Patrick Xavier. *On the complexity of kinodynamic planning*. IEEE, 1988.
- [6] John Canny, Ashutosh Rege, and John Reif. An exact algorithm for kinodynamic planning in the plane. *Discrete & Computational Geometry*, 6(3):461–484, 1991.
- [7] Nicos Christofides. Worst-case analysis of a new heuristic for the travelling salesman problem. Technical report, Carnegie-Mellon Univ Pittsburgh Pa Management Sciences Research Group, 1976.
- [8] Georges A Croes. A method for solving traveling-salesman problems. *Operations research*, 6(6):791–812, 1958.
- [9] Bruce Donald, Patrick Xavier, John Canny, and John Reif. Kinodynamic motion planning. *Journal of the ACM (JACM)*, 40(5):1048–1066, 1993.
- [10] Jeff Erickson. Ernie’s 3d pancakes : ”how hard is optimal racing?”. 2009. <http://3dpancakes.typepad.com/ernie/2009/06/how-hard-is-optimal-racing.html>.
- [11] M Gardner. Sim, chomp and race track-new games for intellect (and not for lady luck). *Scientific American*, 228(1):108–115, 1973.
- [12] Michael R Garey, Ronald L Graham, and David S Johnson. Some np-complete geometric problems. pages 10–22, 1976.
- [13] Michael Held and Richard M Karp. A dynamic programming approach to sequencing problems. *Journal of the Society for Industrial and Applied mathematics*, 10(1):196–210, 1962.
- [14] Markus Holzer and Pierre McKenzie. The computational complexity of racetrack. pages 260–271, 2010.
- [15] Richard M Karp. Reducibility among combinatorial problems. pages 85–103, 1972.
- [16] Jerome Le Ny, Emilio Frazzoli, and Eric Feron. The curvature-constrained traveling salesman problem for high point densities. In *2007 46th IEEE Conference on Decision and Control*, pages 5985–5990. IEEE, 2007.
- [17] Joseph SB Mitchell. Guillotine subdivisions approximate polygonal subdivisions: A simple polynomial-time approximation scheme for geometric tsp, k-mst, and related problems. *SIAM Journal on computing*, 28(4):1298–1309, 1999.
- [18] Charles E Noon and James C Bean. An efficient transformation of the generalized traveling salesman problem. *INFOR: Information Systems and Operational Research*, 31(1):39–44, 1993.
- [19] Robert Olsson and Andreas Tarandi. A genetic algorithm in the game racetrack, 2011.

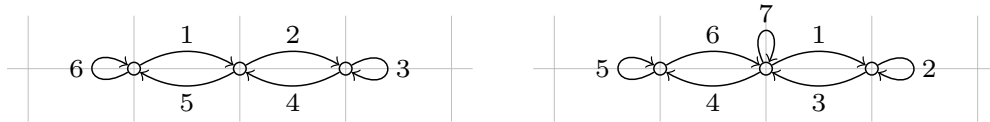
- [20] Pekka Orponen and Heikki Mannila. On approximation preserving reductions: Complete problems and robust measures (revised version). *Department of Computer Science, University of Helsinki*, 1990.
- [21] Christos Papadimitriou and Santosh Vempala†. On the approximability of the traveling salesman problem. *Conference Proceedings of the Annual ACM Symposium on Theory of Computing*, 26:101–120, 02 2006.
- [22] Christos H Papadimitriou. The euclidean travelling salesman problem is np-complete. *Theoretical computer science*, 4(3):237–244, 1977.
- [23] Franco P Preparata and Michael I Shamos. *Computational geometry: an introduction*. Springer Science & Business Media, 2012.
- [24] Jakob Schmid. Vectorrace - finding the fastest path through a two-dimensional track. *URL: <http://schmid.dk/articles/vectorRace.pdf>*, 2005.
- [25] Yuan Yuan and Yuxing Peng. Racetrack: An approximation algorithm for the mobile sink routing problem. In Ioanis Nikolaidis and Kui Wu, editors, *Ad-Hoc, Mobile and Wireless Networks*, pages 135–148, Berlin, Heidelberg, 2010. Springer Berlin Heidelberg.

A Appendix

A.1 Basic observations

Fact 2. *The starting city has an impact on the cost of an optimal solution.*

Example. This can be seen on a small example, with $P = \{(0,0), (1,0), (2,0)\}$ in the default setting. Starting at $(0,0)$, a solution exists with 7 configurations (*i.e.*, 6 vectors), namely $T = (((0,0),(0,0)), ((1,0),(1,0)), ((2,0),(1,0)), ((2,0),(0,0)), ((1,0),(-1,0)), ((0,0),(-1,0)), ((0,0),(0,0)))$ (see the left picture). In contrast, if the tour starts at $(1,0)$,



the vehicle will have to decelerate three times instead of two (right picture), which gives a trajectory of 8 configurations (7 vectors). \square

A.2 Hardness results

In this section, we give the complete proof of Theorem 7 on page 8, namely:

Theorem 7. *EXACTCOVER reduces in polynomial time to VECTORTSP with visit speed $\nu = 0$.*

The proof goes through a number of intermediate steps until Corollary 13 on page 19, which is actually Theorem 7. Let us first recall the definition of EXACTCOVER. Let \mathcal{U} be a set of m elements (the *universe*), the problem EXACTCOVER takes as input a set $\mathcal{F} = \{F_i\}$ of n subsets of \mathcal{U} , and asks if there exists $\mathcal{F}' \subseteq \mathcal{F}$ such that all sets in \mathcal{F}' are *disjoint* and \mathcal{F}' covers all the elements of \mathcal{U} . For example, if $\mathcal{U} = \{1, 2, 3\}$ and $\mathcal{F} = \{\{1, 2\}, \{3\}, \{2, 3\}\}$, then $\mathcal{F}' = \{\{1, 2\}, \{3\}\}$ is a valid solution, but $\{\{1, 2\}, \{2, 3\}\}$ is not.

Given an instance \mathcal{I} of EXACTCOVER, the proof shows how to construct an instance \mathcal{I}' of VTSP such that \mathcal{I} admits a solution if and only if there is a valid trajectory visiting all the cities of \mathcal{I}' using at most a certain number of configurations. We first give the high-level ideas of the proof, which are common with that of Papadimitriou's proof for ETSP. Then, we explain the details of their adaptation to VTSP (with visit speed $\nu = 0$).

A.2.1 High-level description

The instance \mathcal{I}' is composed of several types of gadgets, representing respectively the subsets $F_i \in \mathcal{F}$ and the elements of \mathcal{U} (with some repetition). For each F_i , a subset gadget C_i is created which consists of a number of cities placed horizontally (wavy horizontal segments in Figure 6). For now, it is sufficient to know that each gadget can be traversed optimally in exactly two possible ways (without considering direction), which ultimately corresponds to including (traversal 1) or excluding (traversal 2) subset F_i in the EXACTCOVER solution. The C_i 's are located one below the other, starting with C_1 at the top. Between every two consecutive gadgets C_i and C_{i+1} , copies of *element* gadgets are placed

for each element in \mathcal{U} , thus the element gadgets H_{ij} are indexed by both $1 \leq i \leq n - 1$ and $1 \leq j \leq m$ (see Figure 6). The element gadgets are also made of a number of cities, whose particular organization is described later on. Finally, every subset gadget C_i above or below an element gadget representing element j is slightly modified in a way that represents whether F_i contains element j or not.

Intuitively, a tour visiting all the cities must choose between inclusion or exclusion of each F_i (i.e., traversal 1 or 2 for each C_i). An element $j \in \mathcal{U}$ is considered as covered by a subset F_i if C_i does *not* visit any of the adjacent element gadgets representing j . Each element gadget $H_{i,j}$ must be visited either from above (from C_i) or from below (from C_{i+1}). Now, the number of subset gadget is n , the number of element gadgets for each element is $n - 1$ (one between every two consecutive subset gadgets), and the construction guarantees that at most one element gadget for each element $j \in \mathcal{U}$ is visited from a subset gadget C_i (or the tour is non-optimal). These three properties collectively imply that for each element $j \in \mathcal{U}$, there is exactly one subset gadget C_i that does not visit any of the element gadgets representing j .

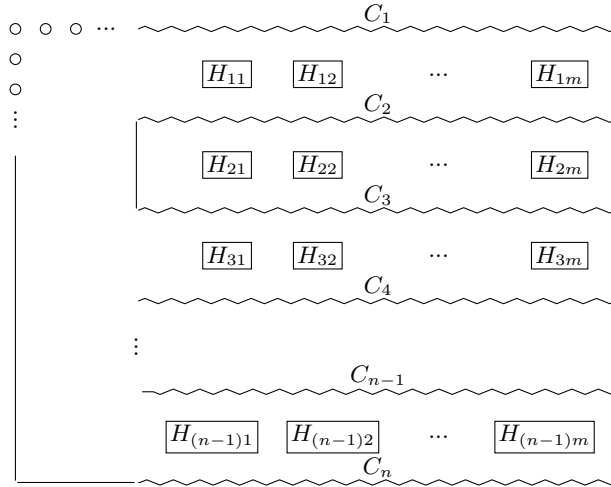


Fig. 6: Papadimitriou's high-level construction

In summary, the tour proceeds from the top left corner through the C_i s (in order), visiting all the $H_{i,j}$ through local detours. So long as a C_i visits a $H_{i,j}$ (thus, from above), this means that element j has not yet been selected in the EXACTCOVER solution. Element j is covered by subset F_i in the EXACTCOVER solution if C_i is the first subset gadget that does *not* visit the corresponding $H_{i,j}$ (which must eventually happen), after which all the $H_{i,k < j}$ will necessarily be visited (i.e. not covered again) from below by the corresponding C_{k+1} . The details of the construction specify the internal organization of each gadget (positions of the cities composing it), and the spacing between the cities, in such a way that a tour is optimal if and only if it obeys this global traversal without shortcutting in non-authorized ways. In particular, the local configuration of C_i above or below element gadgets makes it impossible for C_i to avoid the visit of $H_{i,j}$ unless $j \in F_i$ (or unless j has already been covered by another subset, i.e. $H_{i-1,j}$ is not yet visited).

Setting the visiting speed $\nu = 0$ is crucial for controlling (indeed, cancelling) the impact of acceleration, so as to force the optimal trajectory to follow exactly the same pattern as in Papadimitriou’s proof. Admittedly, the spirit of the VTSP problem is undermined by such a proof, which remains unsatisfactory and motivates Open question 1 on page 8. The details of our adaptation specify the corresponding intra-gadget spacing between cities and the spacing between the gadgets. Most of the consecutive cities in the tour are actually separated by only one or two space units, which cancels out the benefits of accelerating. The few exceptions are between subset gadgets and the adjacent element gadgets, where the speed can get arbitrarily large depending on the distance chosen. We choose a distance close to the original distance of 20 units, resulting in a maximum speed of 5 space units. The proportions in the spacing imply that this has no impact on the visit order *w.r.t.* Papadimitriou’s tour.

A.2.2 Technical aspects

This section describes how to reduce an EXACTCOVER instance to a VTSP instance with visit speed $\nu = 0$, and visit distance $\alpha = 0$ (the vector completion β being meaningless since the vehicle must stop in each city). For simplicity, it is first formulated in the 5-successor model, *i.e.*, the speed can change only in one dimension at a time (Theorem 12). This constraint is subsequently relaxed to the 9-successor function through a geometrical trick (see Corollary 13).

The following definitions are from Papadimitriou [22]. A subset P' of the set of cities is an *a-component* if for all $p \in P'$ we have $\min(\text{cost}(p, p') : p' \notin P') \geq a$ and $\max(\text{cost}(p, p') : p' \in P') < a$, and P' is maximal *w.r.t.* these properties. A *k-trajectory* for a set of cities is a set of k , not closed trajectories visiting all cities. A valid trajectory for a VTSP instance is thus a closed (or cyclic) 1-trajectory. A subset of cities is *a-compact* if, for all positive integers k , an optimal k -trajectory has cost less than the cost of an optimal $(k + 1)$ -trajectory plus a . Note that *a-components* are trivially *a-compact*.

Lemma 10 (Papadimitriou [22]). *Suppose we have N a-components $P_1, \dots, P_N \in P$, such that the cost to connect any two components through a trajectory is at least $2a$, and P_0 , the remaining part of P , is a-compact. Suppose that any optimal 1-trajectory of this instance does not contain any vectors between any two a-components. Let K_1, \dots, K_N be the costs of the optimal 1-trajectories of P_1, \dots, P_N and K_0 the cost of the optimal $(N + 1)$ -trajectory of P_0 . If there is a 1-trajectory T of P consisting of the union of an optimal $(N + 1)$ -trajectory of P_0 , N optimal 1-trajectories of P_1, \dots, P_N and $2N$ trajectories of cost a connecting a-components to P_0 , then T is optimal. If no such 1-trajectory exists, the optimal 1-trajectory of P has a cost greater than $K = K_0 + K_1 + \dots + K_N + 2Na$.*

Consider the *1-chain* structure presented in Figure 7. This structure is composed of cities positioned on a line, at distance one from one another. 1-chains can bend at 90 degrees angles, and only one optimal 1-trajectory exists, with a cost of $2(n - 1)$ vectors for a 1-chain of length n .

Next, consider the structure in Figure 8, referred to as a *2-chain*. The distance between the leftmost (or rightmost) city and its nearby cities is $\sqrt{2}$. The closest distance between other cities is 2. The important thing to notice here is there exists only two distinct optimal 1-trajectories, denoted as mode 1 and mode 2, both of a cost of $3n + 11$ for a 2-chain of length n .

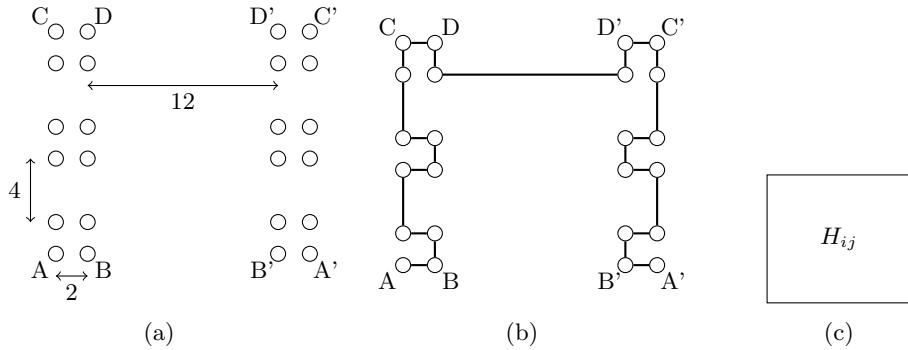


Fig. 9: Structure H . The distance between A and B is 2, between A and C 14, and between A and A' 16. An optimal 1-trajectory in H is shown in (b). We abbreviate an H structure schematically as shown in (c).

straight vertical line, thanks to the precise distance of 25. Deviating even the slightest bit from the vertical line would result in a non-optimal cost. The construction of the VTSP instance is now complete. It should be clear that an optimal 1-trajectory must have Q and R as endpoints. This construction meets the hypotheses of Lemma 10 with $a = 10$, $N = m(n - 1)$, $K_1 = \dots = K_N = 77$ and $K_0 = 1257mn + 4m + 557n + 24p + 1464$, where p is the sum of cardinalities of all given subsets of the EXACT COVER instance.

We examine when this structure has an optimal 1-trajectory T , as described in the lemma. T traverses all 1-chains in the obvious way, and all 2-chains in one of the two traversals. Since its portion on P_0 has to be optimal, T must visit a component H from any configuration B encountered, and it must return (by Observation 11) to the symmetric city of B , since its portion on H must be optimal, too. If T encounters a configuration A and the corresponding chain is traversed in traversal 2, T will also visit a component H . However, if the corresponding chain is traversed in traversal 1, T will traverse A without visiting any configuration H , since all trajectories connecting P_0 and H components must be of cost a . Moreover this must happen exactly once for each column of the structure, since there are $n - 1$ copies of H and n structures A or B in each column. Hence, if we consider the fact that C_j is traversed in traversal 1 (*resp.* traversal 2) to mean that the corresponding subset is (*resp.* is not) contained in the EXACT COVER solution, we see that the existence of a 1-trajectory T , as described in Lemma 10, implies the EXACT COVER instance admits a solution. Conversely, if the EXACT COVER instance admits a solution, we assign, as above, traversals to the chains according to whether or not the corresponding subset is included in the solution. It is then possible to exhibit a 1-trajectory T meeting the requirements of Lemma 10. Hence the structure at hand has a 1-trajectory of cost no more than $K = 1354mn - 93m + 557n + 24p + 1464$ if and only if the given instance of EXACT COVER is solvable. Finally, to obtain a valid VTSP trajectory, connect both endpoints Q and R in Figure 10 with a 1-chain, and increase K accordingly. \square

Corollary 13. EXACTCOVER reduces in polynomial time to VECTORTSP with visit speed $\nu = 0$ and visit distance $\alpha = 0$, in the 9-successor model.

Proof. The proof for the 9-successor model is the same as for the 5-successor model, except that the whole created VTSP instance \mathcal{T}' is tilted by 45° (the direction does not

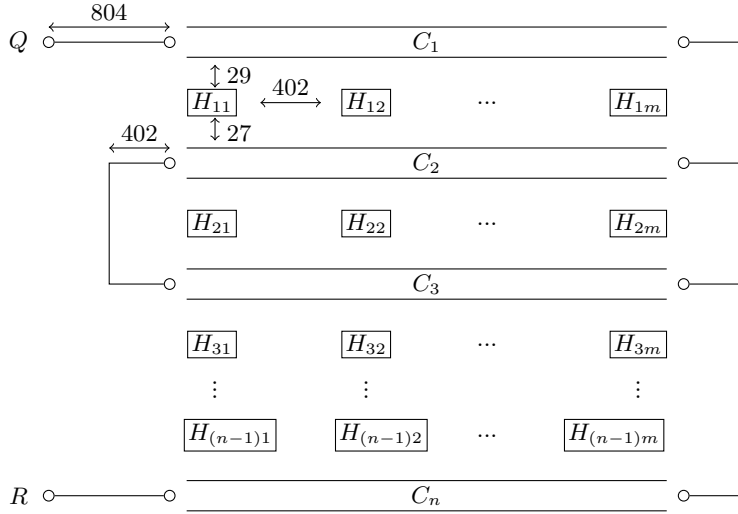


Fig. 10: Construction of the VTSP instance.

matter), and distances are scaled by $\sqrt{2}$. The value of K is unchanged. This modification transposes the limitations of the 5-successor model to the 9-successor model. Indeed, due to the careful choice of distances involved, if one wishes to stay optimal visiting the cities, one needs to only consider the outermost accelerations (diagonals) of the 9-successor version, as well as the null speed before turning (since different diagonals in the 9-successor model cannot directly succeed one another). \square

Note that a similar geometrical trick might be used to adapt the proof to further settings, such as continuous space with the continuous d -sphere successor function, such as depicted see in Figure 1 on page 4 (for \mathbb{R}^2).

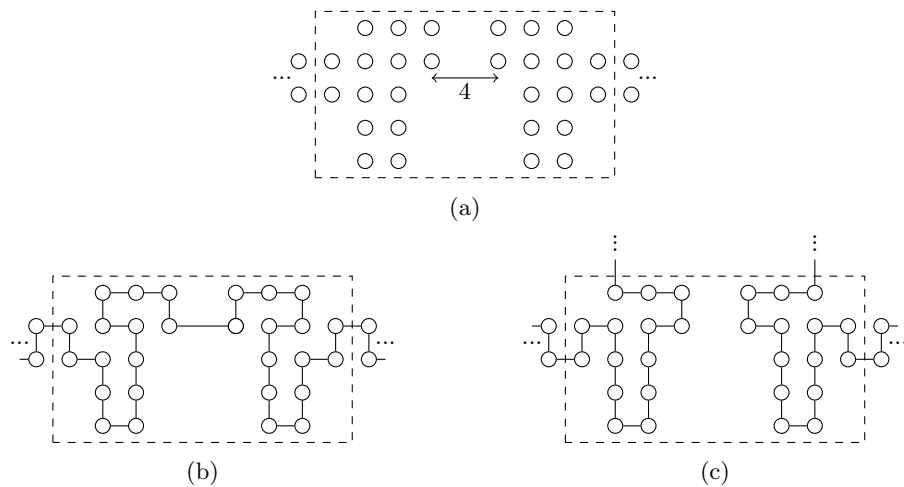


Fig. 11: Structure A (see (a)). Visiting structure A in mode 1 makes it costly to visit an H structure above or below (see (b)). Visiting structure A in mode 2 however, makes it less costly to visit an H structure above (see (c)) or below.

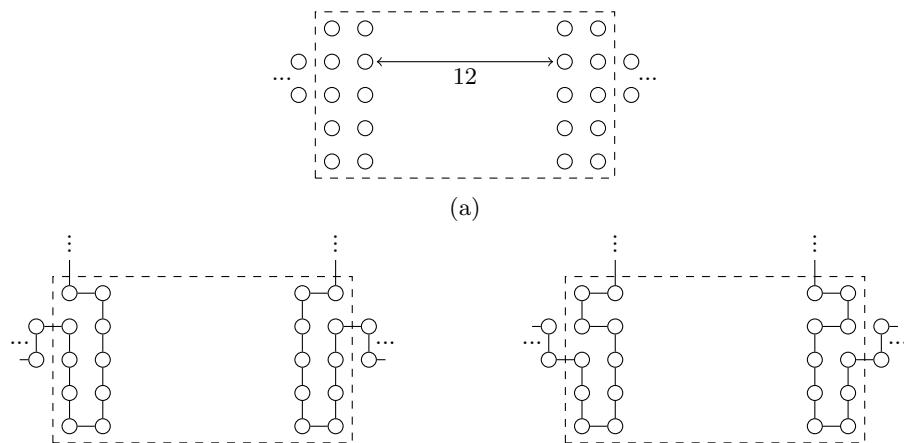


Fig. 12: Structure B (see (a)). Visiting structure B in any mode makes it advantageous to visit an H structure above or below (see (b) and (c)).

B Algorithmic details

B.1 High-level 2-opt algorithm

The pseudo-code for the high-level algorithm discussed in Section 4.1 is shown in Algorithm 1. It is essentially equivalent to the 2-opt algorithm for ETSP, except that the cost of a candidate tour is evaluated by the oracle described in Section 4.2.

Algorithm 1 : 2-opt.

Input: a set P of cities.

Output: a 2-optimal tour w.r.t. the racetrack model.

```
1:  $\pi_{opt} \leftarrow \text{init}(P)$ 
2:  $C_{opt} \leftarrow \text{oracle}(\pi_{opt})$  ▷ Without limited view (optimal)
3:  $improved \leftarrow \text{true}$ 
4: while  $improved$  do
5:    $improved \leftarrow \text{false}$ 
6:   for each city  $i$  (except starting city) do
7:     for each other city  $j$  (except starting city) do
8:        $\pi_{test} \leftarrow \text{flip}(\pi_{opt}, i, j)$ 
9:        $C_{test} \leftarrow \text{oracle}(\pi_{test})$  ▷ With limited view (faster)
10:      if  $C_{test} < C_{opt}$  then
11:         $\pi_{opt} \leftarrow \pi_{test}$ 
12:         $C_{opt} \leftarrow C_{test}$ 
13:         $improved \leftarrow \text{true}$ 
14:        break
15:      if  $improved$  then
16:        break
17: return  $\pi_{opt}$ 
```

Theorem 9. *One can find a 2-optimal tour for VTSP in time $O(n^2 L^d \tau(n, L))$, where n is the number of cities, L the largest distance between cities in a dimension, d the number of dimensions, and $\tau(n, L)$ the running time complexity of the oracle for computing the cost of an optimal racetrack trajectory visiting the n cities.*

Proof. As explained in (the proof of) Lemma 5, if the visit order is not imposed, then one can easily find a trajectory of length $O(L^d)$ that visits all the cities, through walking over the entire area (rectangle hull containing the cities). Let π be the order in which the cities are visited by such a walk, shifted circularly so as to set the starting city to the desired one. This tour is the one returned by the `init()` function. Then C_{opt} is accordingly initialized with cost $O(L^d)$ in line 2. The factor L^d in the complexity formula then follows from the fact that the main loop iterates only if a shorter trajectory is found, which can occur at most as many times as the length of the initial trajectory. Then, in each iteration, up to $O(n^2)$ flips are generated (at constant time), with a nested call to the oracle. All the other operations take constant time under the standard arithmetic abstractions. \square