

Charge pump phase-locked loop with phase-frequency detector: closed form mathematical model

Kuznetsov N.^{a,b,c}, Yuldashev M.^a, Yuldashev R.^a,
Blagov M.^{a,b}, Kudryashova E.^a, Kuznetsova O.^a, Mokaev T.^a.

Abstract—Charge pump phase-locked loop with phase-frequency detector (CP-PLL) is an electrical circuit, widely used in digital systems for frequency synthesis and synchronization of the clock signals. In this paper a non-linear second-order model of CP-PLL is rigorously derived. The obtained model obviates the shortcomings of previously known second-order models of CP-PLL. Pull-in time is estimated for the obtained second-order CP-PLL.

I. INTRODUCTION

PHASE-locked loops (PLLs) are electronic circuits, designed for generation of an electrical signal (voltage), while the frequency is automatically tuned to the frequency of an input (reference, Ref) signal. Charge pump phase-locked loop with phase-frequency detector (Charge pump PLL, CP-PLL, CPLL) is widely used in digital systems for frequency synthesis and synchronization of the clock signals [3]. The CP-PLL is able to quickly lock onto the phase of the incoming signal, achieving low steady-state phase error [7]. Important issues in the design of PLL are estimation of the ranges of deviation between oscillators frequencies for which a locked state can be achieved, the stability analysis of the locked states, and study of possible transient processes. The pioneering monographs [11], [31], [35] were published in 1966, a rather comprehensive bibliography [24] was published in 1973, and recent surveys [4], [23]. For the corresponding study of the CP-PLL F. Gardner developed in 1980 a linearized model in vicinity of locked states [10], [12]. Then an approximate discrete-time linear models of the CP-PLL were suggested in [17], [25]. However, linear models are essentially limited, since only local behavior near locked states can be studied. For the study of non-local behavior and transient processes some nonlinear second-order models of the CP-PLL were developed in [2], [7], [34].

Examples from section V demonstrate that algorithm and formulas suggested by M. van Paemel in [34] should be used carefully for simulation even inside allowed area (see Fig. 18 and Fig. 22 in original paper [34]). While the

^(a) Faculty of Mathematics and Mechanics, Saint-Petersburg State University, Russia; ^(b) Dept. of Mathematical Information Technology, University of Jyväskylä, Finland; ^(c) Institute for Problems in Mechanical Engineering of Russian Academy of Science, Russia; (corresponding author email: nkuznetsov239@gmail.com). This paper is an extended version of [22]

examples are given for the first time, the main idea of Example 1 was already noticed by P. Acco and O. Feely [1], [9]. P. Acco and O. Feely considered only near-locked state, therefore they didn't notice problems with out-of-lock behavior. Example 2 and Example 3 demonstrate problems with out-of-lock behavior, which was not discovered before.

Note that while derivation of non-linear mathematical models for high-order CP-PLL requires numerical solution of non-linear algebraic equations or allows to find only approximate solutions (see, e.g. [6], [8], [13], [14], [16], [19], [33], [36]), non-linear mathematical models for the second order CP-PLL can be found in closed-form. Further, we consider only the second order CP-PLL. Noise performance and simulation of PLL is discussed in [3], [26], [28], [29], [32].

II. A MODEL OF CHARGE PUMP PHASE-LOCKED LOOP WITH PHASE-FREQUENCY DETECTOR IN THE SIGNAL SPACE

Consider charge pump phase-locked loop with phase-frequency detector [10], [12] on Fig. 1. Both reference and output of the voltage controlled oscillator (VCO) are square waveform signals, see Fig. 2.

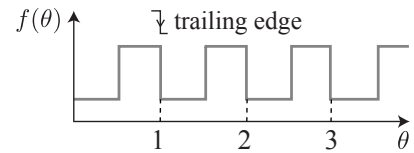


Fig. 2: Waveforms of the reference and voltage controlled oscillator (VCO) signals are periodic functions with period equal to one. Trailing edges happen at the integer values of corresponding phases.

Without loss of generality we suppose that trailing edges of VCO and reference signals occur when corresponding phase reaches an integer number. The frequency ω_{ref} of reference signal (reference frequency) is usually assumed to be constant:

$$\theta_{\text{ref}}(t) = \omega_{\text{ref}} t = \frac{t}{T_{\text{ref}}}, \quad (1)$$

where T_{ref} , ω_{ref} and $\theta_{\text{ref}}(t)$ are the period, frequency and phase of reference signal.

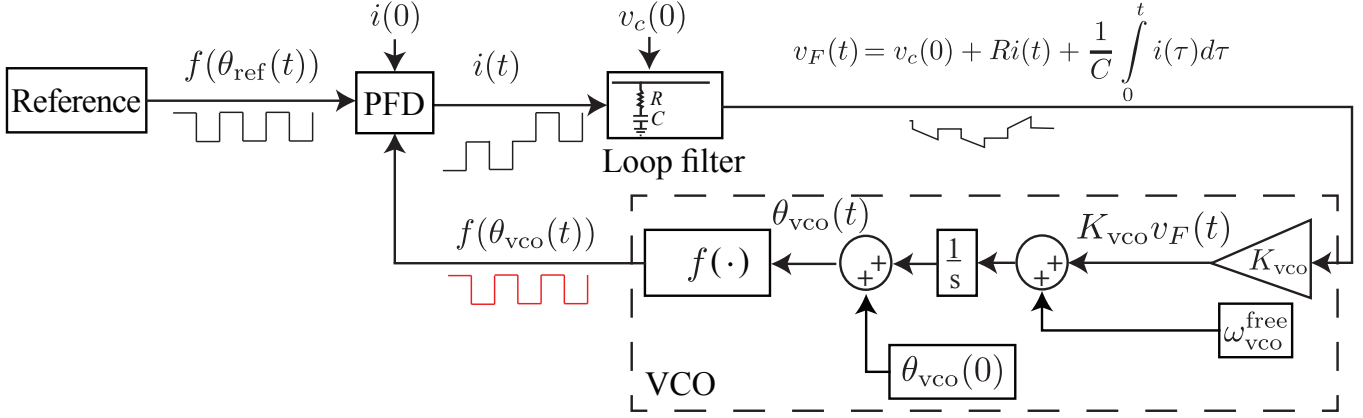


Fig. 1: Charge pump phase-locked loop with phase-frequency detector (Charge pump PLL)

The phase-frequency detector (PFD) is a digital circuit, triggered by the trailing (falling) edges of the reference Ref and VCO signals. The output signal of PFD $i(t)$ can have only three states (Fig. 3): 0, $+I_p$, and $-I_p$.

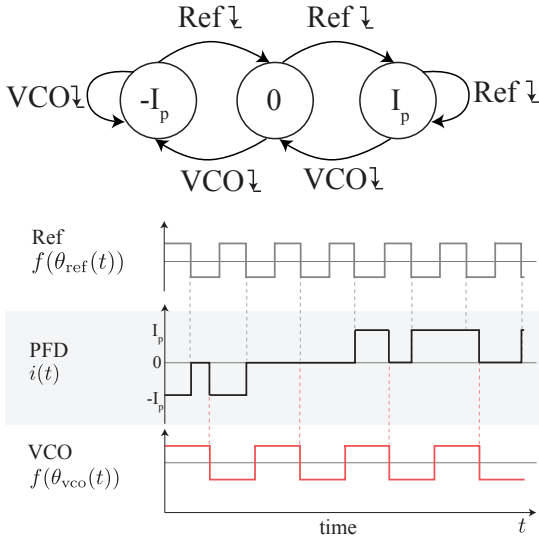


Fig. 3: Phase-frequency detector operation.

To construct a mathematical model, we wait for first trailing edge of reference signal and define the corresponding time instance as $t = 0$. Suppose that before $t = 0$ the PFD had a certain constant state $i(0^-)$. A trailing edge of the reference signal forces PFD to switch to higher state, unless it is already in state $+I_p$. A trailing edge of the VCO signal forces PFD to switch to lower state, unless it is already in state $-I_p$. If both trailing edges happen at the same time then PFD switches to zero.

Thus, $i(0)$ is determined by the values $i(0^-)$, $\theta_{vco}(0)$, and $\theta_{ref}(0)$. Similarly, $i(t)$ is determined by $i(t^-)$, $\theta_{vco}(t)$, and $\theta_{ref}(t)$. Thus, $i(t)$ is piecewise constant and right-continuous¹.

¹approaching any number from the right yields the same value of $i(t)$

The relationship between the input current $i(t)$ and the output voltage $v_F(t)$ for a proportionally integrating (perfect PI) filter based on resistor and capacitor

$$H(s) = R + \frac{1}{Cs},$$

is as follows

$$v_F(t) = v_c(0) + Ri(t) + \frac{1}{C} \int_0^t i(\tau) d\tau, \quad (2)$$

where $R > 0$ is a resistance, $C > 0$ is a capacitance, and $v_c(t) = v_c(0) + \frac{1}{C} \int_0^t i(\tau) d\tau$ is a capacitor charge.

The control signal $v_F(t)$ adjusts the VCO frequency:

$$\dot{\theta}_{vco}(t) = \omega_{vco}(t) = \omega_{vco}^{free} + K_{vco}v_F(t), \quad (3)$$

where ω_{vco}^{free} is the VCO free-running (quiescent) frequency (i.e. for $v_F(t) \equiv 0$), K_{vco} is the VCO gain (sensitivity), and $\theta_{vco}(t)$ is the VCO phase. Further we assume that²

$$\dot{\theta}_{vco}(t) = \omega_{vco}(t) > 0. \quad (4)$$

If the frequency of VCO $\omega_{vco}(t)$ is much higher than the frequency of reference signal ω_{ref} , then trailing edges of VCO forces PFD to be in the lower state $-I_p$ most of the time. In this case the output of loop filter $v_F(t)$ is negative. Negative filter output, in turn, decrease the VCO frequency to match the reference frequency. Similarly, if the VCO frequency is much lower than the reference frequency, the filter output becomes mostly positive, increasing the VCO frequency. If the VCO and reference frequencies are close to each other, then the transient process may be more complicated. In this case the CP-PLL either tends to a locked state or to an unwanted oscillation.

From (1), (2), and (3), for given $i(0^-)$ and ω_{ref} we obtain a *continuous time nonlinear mathematical model of CP-PLL* described by differential equations

$$\begin{aligned} \dot{v}_c(t) &= \frac{1}{C}i(t), \\ \dot{\theta}_{vco}(t) &= \omega_{vco}^{free} + K_{vco}(Ri(t) + v_c(t)), \end{aligned} \quad (5)$$

²VCO overload is considered in the end of this paper.

with discontinuous piecewise constant nonlinearity

$$i(t) = i(i(t-), \omega_{\text{ref}}, \theta_{\text{vco}}(t))$$

and initial conditions $(v_c(0), \theta_{\text{vco}}(0))$.

III. DERIVATION OF DISCRETE TIME CP-PLL MODEL

Here we derive discrete time model of the CP-PLL in the following form

$$\begin{aligned} \tau_{k+1} &= \varphi(\tau_k, v_k), \\ v_{k+1} &= v(\tau_k, v_k). \end{aligned} \quad (6)$$

First, let us define the state variables τ_k, v_k .

Let $t_0 = 0$. Denote by t_0^{middle} the first instant of time such that the PFD output becomes equal to zero³; if $i(0) = 0$ then $t_0^{\text{middle}} = 0$. Then we wait until the first trailing edge of the VCO or Ref and denote corresponding moment of time by t_1 . Continuing in a similar way, one obtains increasing sequences $\{t_k\}$ and $\{t_k^{\text{middle}}\}$ for $k=0, 1, 2, \dots$ (see Fig. 4).

Let $t_k < t_k^{\text{middle}}$. Then for $t \in [t_k, t_k^{\text{middle}})$ $\text{sign}(i(t))$ is a non zero constant (± 1). Denote by τ_k the PFD pulse width (length of time interval, where PFD output is non-zero constant), multiplied by the sign of PFD output (see Fig. 5):

$$\begin{aligned} \tau_k &= (t_k^{\text{middle}} - t_k) \text{sign}(i(t)), \quad t \in [t_k, t_k^{\text{middle}}), \\ \tau_k &= 0 \quad t_k = t_k^{\text{middle}}. \end{aligned} \quad (7)$$

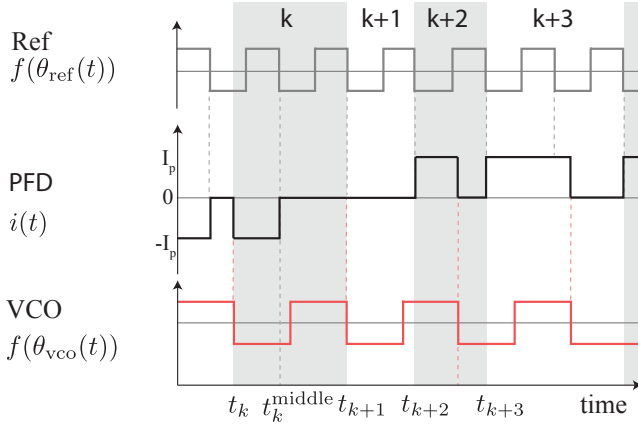


Fig. 4: Explanation of t_k and t_k^{middle} .

If the VCO trailing edge hits before the Ref trailing edge, then $\tau_k < 0$ and in the opposite case we have $\tau_k > 0$. Thus, τ_k shows how one signal lags behind another.

From (2) it follows that the zero output of PFD $i(t) \equiv 0$ on the interval $(t_k^{\text{middle}}, t_{k+1})$ implies a constant filter output. Denote this constant by v_k :

$$v_F(t) \equiv v_k, \quad t \in [t_k^{\text{middle}}, t_{k+1}). \quad (8)$$

³Remark that the PFD output $i(t)$ always returns to zero from non-zero state at certain time. If $i(t_0) = -1$, then the first Ref trailing edge returns the PFD output to zero. If $i(t_0) = 1$, then the VCO frequency is increasing until the first VCO trailing edge returns the PFD output to zero.

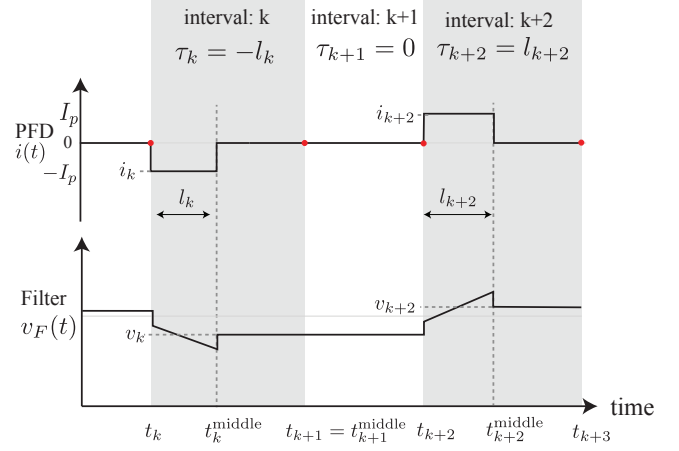


Fig. 5: Definition of discrete states τ_k and v_k . l_k is a PFD pulse width.

Finally, from (2) we get

$$v_F(t) = \begin{cases} v_k, & t \in [t_k^{\text{middle}}, t_{k+1}), \\ v_k \pm RI_p \pm \frac{I_p}{C}(t - t_{k+1}), & t \in [t_{k+1}, t_{k+1}^{\text{middle}}). \end{cases} \quad (9)$$

Combining (3) and (9) we obtain

$$\omega_{\text{vco}}(t) = \begin{cases} \omega_{\text{vco}}^{\text{free}} + K_{\text{vco}}v_k, & t \in [t_k^{\text{middle}}, t_{k+1}), \\ \omega_{\text{vco}}^{\text{free}} + K_{\text{vco}}\left(v_k \pm RI_p \pm \frac{I_p}{C}(t - t_{k+1})\right), & t \in [t_{k+1}, t_{k+1}^{\text{middle}}), \end{cases} \quad (10)$$

where the sign $-$ or $+$ in the last equation corresponds to $\text{sign}(i(t))$.

By (9) and (7) the value of v_{k+1} can be expressed via τ_{k+1} and v_k :

$$v_{k+1} = v_k + \frac{I_p}{C}\tau_{k+1}. \quad (11)$$

To find τ_{k+1} one needs to consider four possible cases of PFD transitions (see Fig. 6):

- 1) $\tau_k \geq 0, \tau_{k+1} \geq 0$;
- 2) $\tau_k \geq 0, \tau_{k+1} < 0$;
- 3) $\tau_k < 0, \tau_{k+1} \leq 0$;
- 4) $\tau_k < 0, \tau_{k+1} > 0$.

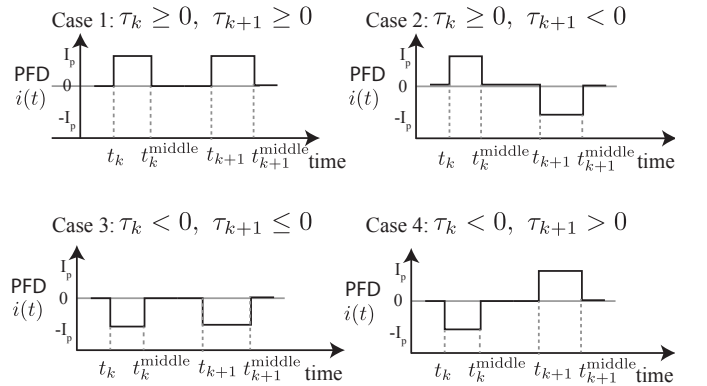
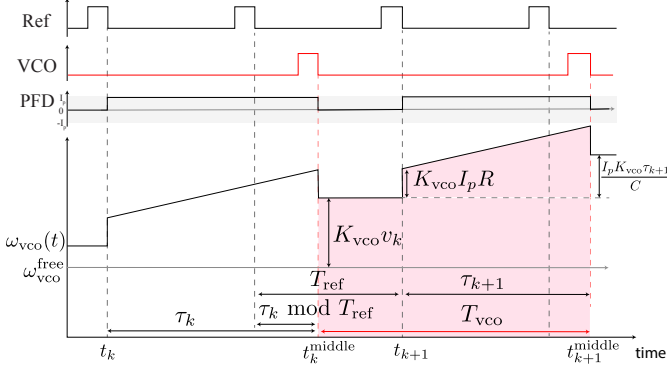


Fig. 6: Four cases of PFD states transitions

Case 1: $\tau_k \geq 0$ and $\tau_{k+1} \geq 0$ (see Fig. 30).



(a) Case 1_1: general case, Reference cycle slipping; $\tau_k \geq 0$, $\tau_{k+1} \geq 0$

Fig. 7: Subcases of the Case 1. Integral of the VCO frequency ω_{vco} over the VCO period T_{vco} is pink subgraph area (grey in black/white). The integral is equal to 1 according to the PFD switching law and definition of time intervals.

First, rewrite requirement $\tau_{k+1} \geq 0$ in terms of τ_k and v_k . Since $\omega_{\text{vco}}(t) > 0$, condition $\tau_{k+1} > 0$ takes the form

$$\theta_{\text{vco}}(t_{k+1}) - \theta_{\text{vco}}(t_k^{\text{middle}}) \leq 1. \quad (12)$$

By (10) we get

$$\begin{aligned} \theta_{\text{vco}}(t_{k+1}) - \theta_{\text{vco}}(t_k^{\text{middle}}) &= \int_{t_k^{\text{middle}}}^{t_{k+1}} \omega_{\text{vco}}(\tau) d\tau = \\ &= (T_{\text{ref}} - (\tau_k \bmod T_{\text{ref}})) (\omega_{\text{vco}}^{\text{free}} + K_{\text{vco}} v_k). \end{aligned} \quad (13)$$

Thus, condition $\tau_{k+1} \geq 0$ can be expressed via v_k and τ_k in the following way⁴:

$$(T_{\text{ref}} - (\tau_k \bmod T_{\text{ref}})) (\omega_{\text{vco}}^{\text{free}} + K_{\text{vco}} v_k) \leq 1. \quad (14)$$

Now find τ_{k+1} . VCO trailing edges appeared twice on time interval $[t_k, t_{k+2})$: at $t = t_k^{\text{middle}}$ and at $t = t_{k+1}^{\text{middle}}$. Thus, we get

$$\theta_{\text{vco}}(t_{k+1}^{\text{middle}}) - \theta_{\text{vco}}(t_k^{\text{middle}}) = 1. \quad (15)$$

By (3) it is equivalent to

$$\int_{t_k^{\text{middle}}}^{t_{k+1}} \omega_{\text{vco}}(t) dt + \int_{t_{k+1}}^{t_{k+1}^{\text{middle}}} \omega_{\text{vco}}(t) dt = 1. \quad (16)$$

By definition of τ_k (7) we get (see Fig. 30a)

$$\begin{aligned} t_{k+1} &= t_k^{\text{middle}} - (\tau_k \bmod T_{\text{ref}}) + T_{\text{ref}}, \\ t_{k+1}^{\text{middle}} &= t_{k+1} + \tau_{k+1}. \end{aligned} \quad (17)$$

⁴ Here $(a \bmod b)$ is the remainder after division of a by b , where a is the dividend and b is the divisor. This function is often called the modulo operation.

Substituting (17) and (10) into (16) and calculating the integral (i.e. shaded area in Fig. 30a) we get the following relation for τ_{k+1} :

$$\begin{aligned} (T_{\text{ref}} - (\tau_k \bmod T_{\text{ref}}) + \tau_{k+1}) (\omega_{\text{vco}}^{\text{free}} + K_{\text{vco}} v_k) + \\ + K_{\text{vco}} I_p \left(R \tau_{k+1} + \frac{1}{2C} \tau_{k+1}^2 \right) = 1. \end{aligned} \quad (18)$$

Equation (VIII) is quadratic with discriminant

$$b(v(k))^2 - 4ac(\tau_k, v_k), \quad (19)$$

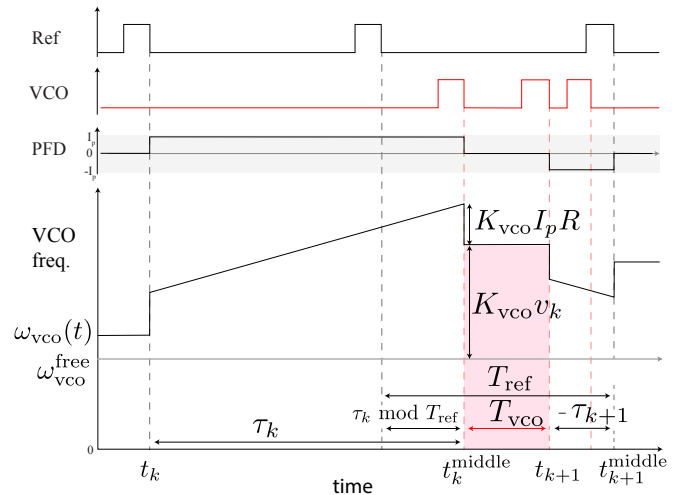
where

$$\begin{aligned} a &= \frac{K_{\text{vco}} I_p}{2C}, \\ b &= b(v_k) = \omega_{\text{vco}}^{\text{free}} + K_{\text{vco}} v_k + K_{\text{vco}} I_p R, \\ c &= c(\tau_k, v_k) = (T_{\text{ref}} - (\tau_k \bmod T_{\text{ref}})) (\omega_{\text{vco}}^{\text{free}} + K_{\text{vco}} v_k) - 1. \end{aligned} \quad (20)$$

Relation (14) is equivalent to $c \leq 0$, which means that the discriminant is non-negative. Therefore, equation (VIII) has exactly one positive solution:

$$\frac{-b + \sqrt{b^2 - 4ac}}{2a}. \quad (21)$$

Case 2: $\tau_k \geq 0$ and $\tau_{k+1} < 0$ (Fig. 31). The first VCO edge appears at $t = t_k^{\text{middle}}$, and the second VCO edge appears at $t = t_{k+1}$.



(a) Case 2_1: general case, Reference and VCO cycle slipping; $\tau_k \geq 0$, $\tau_{k+1} < 0$

Fig. 8: Subcases of the Case 2. Integral of the VCO frequency ω_{vco} over the VCO period T_{vco} is pink subgraph area (grey in black/white). The integral is equal to 1 according to the PFD switching law and definition of time intervals.

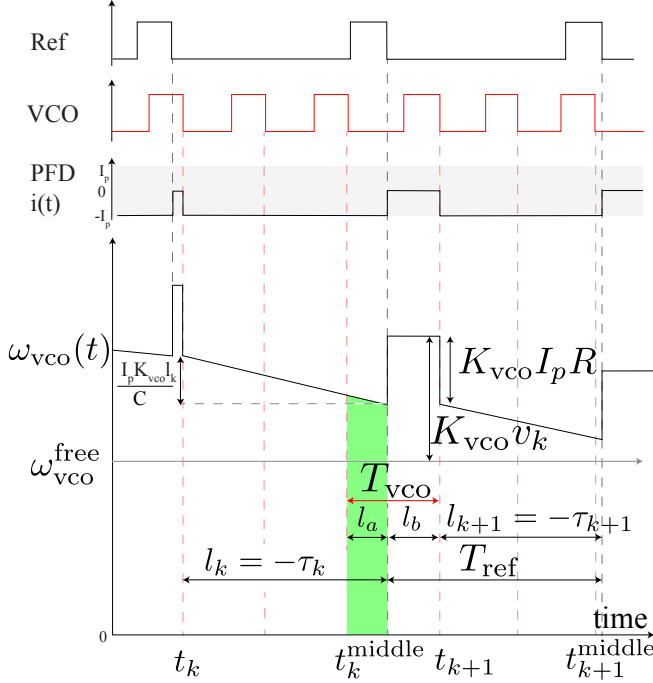
Similarly to the previous case, we can derive a relation for τ_{k+1} by integrating VCO frequency $\omega_{\text{vco}}(t)$ over its period $[t_k^{\text{middle}}, t_{k+1}]$:

$$(T_{\text{ref}} + \tau_{k+1} - (\tau_k \bmod T_{\text{ref}})) (\omega_{\text{vco}}^{\text{free}} + K_{\text{vco}} v_k) = 1.$$

Therefore

$$\tau_{k+1} = \frac{1}{\omega_{\text{vco}}^{\text{free}} + K_{\text{vco}}v_k} - T_{\text{ref}} + (\tau_k \bmod T_{\text{ref}}). \quad (22)$$

Case 3: $\tau_k < 0$ and $\tau_{k+1} \leq 0$ (see Fig. 32).



(a) Case 3_1: general case, VCO cycle slipping; $\tau_k < 0$, $\tau_{k+1} < 0$

Fig. 9: Subcases of the Case 3. Integral of the VCO frequency ω_{vco} over the VCO period T_{vco} is pink subgraph area (grey in black/white). The integral is equal to 1 according to the PFD switching law and definition of time intervals.

First, we determine the sign of τ_{k+1} . To do that we need to find out which of the signals (VCO or reference) reaches its period first after t_k^{middle} , i.e. to check if $l_b = t_{k+1} - t_k^{\text{middle}} \leq T_{\text{ref}}$. By (10) for the time interval l_b we get (see Fig. 32)

$$l_b = l_b(v_k) = \frac{S_{l_b}}{K_{\text{vco}}v_k + \omega_{\text{vco}}^{\text{free}}}, \quad (23)$$

where

$$S_{l_b} = \int_{t_k^{\text{middle}}}^{t_{k+1}} \omega_{\text{vco}}(t) dt = 1 - S_{l_a}. \quad (24)$$

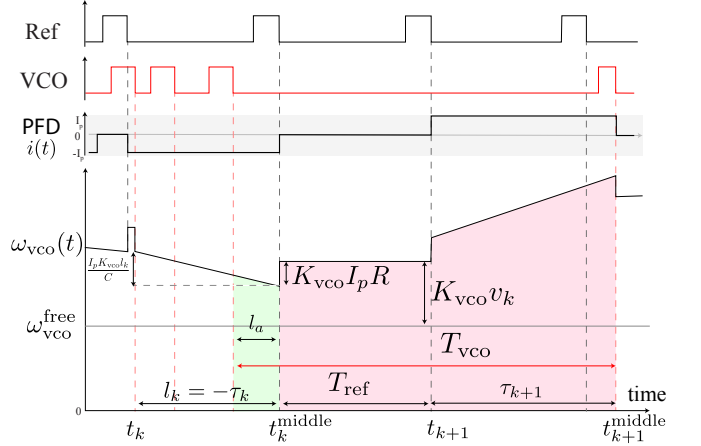
Here S_{l_a} (green area in Fig. 32) is computed as a fractional part of the subgraph area corresponding to $l_k = -\tau_k$:

$$\begin{aligned} S_{l_a} &= S_{l_a}(\tau_k, v_k) = S_{l_k} \bmod 1, \\ S_{l_k} &= S_{l_k}(\tau_k, v_k) = \\ &= \left(K_{\text{vco}}v_k - I_p R K_{\text{vco}} + \omega_{\text{vco}}^{\text{free}} \right) l_k + K_{\text{vco}} I_p \frac{l_k^2}{2C}. \end{aligned} \quad (25)$$

Finally, we get

$$\tau_{k+1} = \frac{1 - S_{l_a}}{K_{\text{vco}}v_k + \omega_{\text{vco}}^{\text{free}}} - T_{\text{ref}}. \quad (26)$$

Case 4: $\tau_k < 0$ and $\tau_{k+1} > 0$ (see Fig. 33).



(a) Case 4_1: general case, VCO and Reference cycle slipping; $\tau_k < 0$, $\tau_{k+1} > 0$

Fig. 10: Subcases of the Case 4. Integral of the VCO frequency ω_{vco} over the VCO period T_{vco} is pink subgraph area (grey in black/white). The integral is equal to 1 according to the PFD switching law and definition of time intervals.

Similar to Case 3 condition $\tau_{k+1} > 0$ is equivalent to

$$l_b > T_{\text{ref}}, \quad (27)$$

where $l_b = t_{k+1}^{\text{middle}} - t_k^{\text{middle}}$ can be computed in the following way

$$\begin{aligned} l_b &= l_b(\tau_k, v_k) = \frac{1 - S_{l_a}}{K_{\text{vco}}v_k + \omega_{\text{vco}}^{\text{free}}}, \\ S_{l_a} &= S_{l_a}(\tau_k, v_k) = S_{l_k} \bmod 1, \\ S_{l_k} &= S_{l_k}(\tau_k, v_k) = \\ &= \left(K_{\text{vco}}v_k - I_p R K_{\text{vco}} + \omega_{\text{vco}}^{\text{free}} \right) \tau_k + K_{\text{vco}} I_p \frac{\tau_k^2}{2C}. \end{aligned} \quad (28)$$

Now we can compute the VCO phase corresponding to its full period:

$$\begin{aligned} S_{l_a} + S_{T_{\text{ref}}} + S_{\tau_{k+1}} &= 1, \\ S_{T_{\text{ref}}} &= S_{T_{\text{ref}}}(v_k) = T_{\text{ref}}(K_{\text{vco}}v_k + \omega_{\text{vco}}^{\text{free}}), \\ S_{\tau_{k+1}} &= S_{\tau_{k+1}}(\tau_{k+1}, v_k) = \tau_{k+1} \left(K_{\text{vco}}v_k + \omega_{\text{vco}}^{\text{free}} + I_p R K_{\text{vco}} \right) + \\ &+ \frac{I_p K_{\text{vco}} \tau_{k+1}^2}{2C}. \end{aligned} \quad (29)$$

From (27) there is only one positive solution τ_{k+1} of quadratic equation

$$\begin{aligned} \tau_{k+1} &= \frac{-b + \sqrt{b^2 - 4ad}}{2a}, \\ a &= \frac{K_{\text{vco}} I_p}{2C}, \\ b &= b(v_k) = \omega_{\text{vco}}^{\text{free}} + K_{\text{vco}}v_k + K_{\text{vco}} I_p R, \\ d &= d(\tau_k, v_k) = S_{l_a} + S_{T_{\text{ref}}} - 1, \end{aligned} \quad (30)$$

IV. CORRECTED FULL DISCRETE MODEL OF CP-PLL

Combining equations for all four cases we obtain a *discrete time nonlinear mathematical model of CP-PLL*

$$v_{k+1} = v_k + \frac{I_p}{C} \tau_{k+1}(\tau_k, v_k), \quad (31)$$

$$k = 0, 1, 2, \dots$$

with initial conditions v_0 and τ_0 . Function $\tau_{k+1}(\tau_k, v_k)$ is defined by the following equation

$$\tau_{k+1}(\tau_k, v_k) = \begin{cases} \frac{-b + \sqrt{b^2 - 4ac}}{2a}, & \tau_k \geq 0, \quad c \leq 0, \\ \frac{1}{\omega_{\text{vco}}^{\text{free}} + K_{\text{vco}} v_k} - T_{\text{ref}} + (\tau_k \bmod T_{\text{ref}}), & \tau_k \geq 0, \quad c > 0, \\ l_b - T_{\text{ref}}, & \tau_k < 0, \quad l_b \leq T_{\text{ref}}, \\ \frac{-b + \sqrt{b^2 - 4ad}}{2a}, & \tau_k < 0, \quad l_b > T_{\text{ref}}, \end{cases} \quad (32)$$

$$a = \frac{K_{\text{vco}} I_p}{2C},$$

$$b = b(v_k) = \omega_{\text{vco}}^{\text{free}} + K_{\text{vco}} v_k + K_{\text{vco}} I_p R,$$

$$c = c(\tau_k, v_k) =$$

$$(T_{\text{ref}} - (\tau_k \bmod T_{\text{ref}})) (\omega_{\text{vco}}^{\text{free}} + K_{\text{vco}} v_k) - 1,$$

$$l_b = l_b(\tau_k, v_k) = \frac{1 - S_{l_a}}{K_{\text{vco}} v_k + \omega_{\text{vco}}^{\text{free}}}, \quad (33)$$

$$S_{l_a} = S_{l_a}(\tau_k, v_k) = S_{l_k} \bmod 1,$$

$$S_{l_k} = S_{l_k}(\tau_k, v_k) =$$

$$- \left(K_{\text{vco}} v_k - I_p R K_{\text{vco}} + \omega_{\text{vco}}^{\text{free}} \right) \tau_k + K_{\text{vco}} I_p \frac{\tau_k^2}{2C},$$

$$d = d(v_k) = S_{l_a} + T_{\text{ref}} (K_{\text{vco}} v_k + \omega_{\text{vco}}^{\text{free}}) - 1.$$

Here the initial conditions are the following: v_0 is the initial output of the filter, τ_0 is determined by $\theta_{\text{vco}}(0)$ and $i(0)$.

If at some point VCO becomes overloaded (frequency approaches zero) one should stop simulation or use another set of equations, based on ideas similar to (34) and (35) in [34], see section VIII.

A. Locked states, hold-in range, and pull-in range

After the synchronization is achieved, i.e. transient process is over, the loop is said to be in a *locked state*. For practical purposes, only *asymptotically stable locked states*, in which the loop returns after small perturbations of its state, are of interest. CP-PLL is in a **locked state** if trailing edges of the VCO signal happens near the trailing edges of the reference signal:

$$\left| \frac{\tau_k}{T_{\text{ref}}} \right| \leq \tau_{\text{lock}}, \quad k = 0, 1, 2, \dots, \quad (34)$$

where τ_{lock} is sufficiently small, and the loop returns in this state after small perturbations of (v_k, τ_k) .

In a locked state the output of PFD $i(t)$ can be non-zero only on short time intervals (shorter than τ_{lock}). An allowed residual phase difference τ_{lock} should be in

agreement with engineering requirements for a particular application. The ideal case is $\tau_{\text{lock}} = 0$.

There is a hypothesis, which has not yet been proven rigorously, that the hold-in and pull-in ranges⁵ coincide and both are infinite if the model has a locked state (see, e.g. [2], [7], [18]).

B. Pull-in time

One of the important characteristics of CP-PLL is how fast it acquires a locked state during the pull-in process. Suppose that the CP-PLL is in a locked state with input frequency ω_{ref1} . Then the reference frequency changes to new frequency ω_{ref2} from fixed range $[\omega_{\text{ref}}^{\text{min}}, \omega_{\text{ref}}^{\text{max}}]$. Since CP-PLL lost its locked state, the feedback loop of CP-PLL tunes the VCO to the new input frequency to acquire new locked state. Transient process takes time $T_{\text{ref1} \rightarrow \text{ref2}}$, and maximum of such possible time intervals is called a *pull-in time* $T_{\text{pull-in}}$. The pull-in time can be measured in seconds or the number of cycles of the input frequency.

In practice (34) is hard to check for all k . Instead for simulation one may check that additionally to small τ_k frequency of VCO is close to reference frequency:

$$\begin{cases} \left| \frac{\tau_k}{T_{\text{ref}}} \right| \leq \tau_{\text{lock}}, \\ \left| \omega_{\text{vco}}^{\text{free}} + K_{\text{vco}} v_k - \frac{1}{T_{\text{ref}}} \right| < \omega_{\text{lock}}. \end{cases} \quad (35)$$

V. COMPARISON WITH ORIGINAL MODEL BY M. VAN PAEMEL

In this section using original notation [34] we demonstrate why existing model has problems and how proposed model fixes them.

A. Example 1

Consider the following set of parameters and initial state:

$$R_2 = 0.2; C = 0.01; K_v = 20; I_p = 0.1; T = 0.125; \quad (36)$$

$$\tau(0) = 0.0125; v(0) = 1.$$

Calculation of normalized parameters (equations (27)-(28) and (44)-(45) in [34])

$$\begin{aligned} K_N &= I_p R_2 K_v T = 0.05, \\ \tau_{2N} &= \frac{R_2 C}{T} = 0.016, \\ F_N &= \frac{1}{2\pi} \sqrt{\frac{K_N}{\tau_{2N}}} \approx 0.2813, \\ \zeta &= \frac{\sqrt{K_N \tau_{2N}}}{2} \approx 0.0141, \end{aligned} \quad (37)$$

shows that parameters (36) correspond to allowed area in Fig. 13 (equations (46)-(47), Fig 18 and Fig. 22 in [34]):

⁵ The largest symmetric interval (continuous range, without holes) of frequencies around free-running frequency of the VCO is called a *hold-in range* if the loop has a locked state. If, in addition, the loop acquires a locked state for any initial state of the loop and any reference frequency from the interval then the interval is called a *pull-in range* [4], [20], [21], [23].

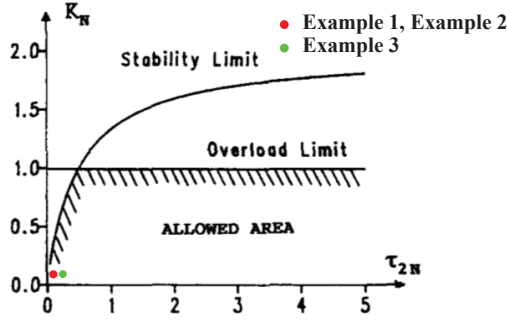


Fig. 18. Stability and overload limits for the PLL normalized loop gain K_N as function of the normalized loop filter time constant τ_{2N} .

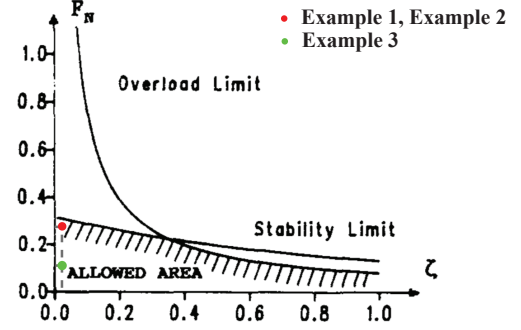


Fig. 22. Stability and overload limits for the PLL normalized natural frequency F_N as a function of the damping factor ζ .

Fig. 11: Parameters for Example 1, Example 2, and Example 3 correspond to allowed area (see Fig 18 and Fig. 22 in [34])

$$F_N < \frac{\sqrt{1+\zeta^2}-\zeta}{\pi} \approx 0.3138, \quad (38)$$

$$F_N < \frac{1}{4\pi\zeta} \approx 5.6438.$$

Now we use the flowchart in Fig. 12 (Fig. 10 in [34]) to

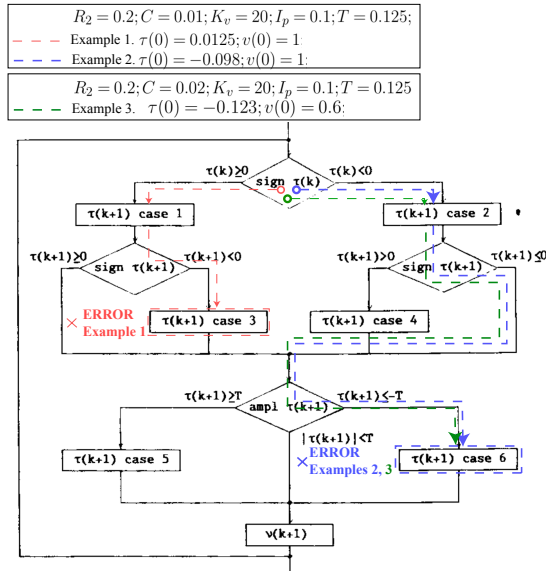


Fig. 10. Flowchart of the algorithm.

Fig. 12: Demonstration of Example 1, Example 2, and Example 3 in the flowchart of the algorithm (see Fig. 10 in [34])

compute $\tau(1)$ and $v(1)$: since $\tau(0) > 0$ and $\tau(0) < T$, we proceed to *case 1*) and corresponding relation for $\tau(k+1)$ (equation (7) in [34]):

$$\tau(k+1) = \frac{-I_p R_2 - v(k)}{\frac{I_p}{C}} + \frac{\sqrt{(I_p R_2 + v(k))^2 - \frac{2I_p}{C}(v(k)(T - \tau(k)) - \frac{1}{K_v})}}{\frac{I_p}{C}}. \quad (39)$$

However, the expression under the square root in (39) is negative:

$$(I_p R_2 + v(0))^2 - \frac{2I_p}{C}(v(0)(T - \tau(0)) - \frac{1}{K_v}) = -0.2096 < 0. \quad (40)$$

Therefore the algorithm is terminated with error.

From (36) for our model we have:

$$\omega_{vco}^{\text{free}} = 0,$$

$$c = (T - (\tau(0) \bmod T))K_v v(0) - 1 = 1.2500,$$

$$\tau(1) = \frac{1}{K_v v(0)} - T + (\tau(0) \bmod T) = -0.0625, \quad (41)$$

$$v(1) = v(0) + \frac{I_p}{C}\tau(1) = 0.3750.$$

B. Example 2

Consider the same parameters as in Example 1, but $\tau(0) = -0.098$:

$$R_2 = 0.2; C = 0.01; K_v = 20; I_p = 0.1; T = 0.125; \quad (42)$$

$$\tau(0) = -0.098; \quad v(0) = 1.$$

In this case (37), (38), and Fig. 13 are the same as in Example 1, i.e. we are in the “allowed area”. Now we compute $\tau(1)$ and $v(1)$ following the flowchart in Fig. 12: since $\tau(0) < 0$ we proceed to *case 2*) and corresponding equation of $\tau(k+1)$ (equation (9) in [34]):

$$\tau(1) = \frac{\frac{1}{K_v} - I_p R_2 \tau(0) - \frac{I_p \tau(0)^2}{2C}}{v(0)} - T + \tau(0) = -0.21906,$$

$$-0.2191 < -T = -0.125. \quad (43)$$

This fact indicates cycle-slipping (out of lock). According to the flowchart in Fig. 12 (see Fig. 10 in [34]), we should proceed to *case 6*) and recalculate $\tau(1)$. First step of case 6) is to calculate t_1, t_2, t_3, \dots (equations (16) and (17) in [34]):

$$t_n = \frac{v_{n-1} - I_p R_2 - \sqrt{(v_{n-1} - I_p R_2)^2 - 2\frac{I_p}{C} \cdot \frac{1}{K_v}}}{\frac{I_p}{C}}, \quad (44)$$

$$v_n = v_{n-1} - \frac{I_p}{C} t_n,$$

$$v_0 = v(k-1).$$

Since $k = 0$, then

$$t_1 = \frac{v_0 - I_p R_2 - \sqrt{(v_0 - I_p R_2)^2 - 2 \frac{I_p}{C} \cdot \frac{1}{K_v}}}{\frac{I_p}{C}}, \quad (45)$$

$$v_1 = v_0 - \frac{I_p}{C} t_1,$$

$$v_0 = v(-1).$$

However, $v(-1)$ doesn't make sense and algorithm terminates with error. Even if we suppose that it is a typo and $v_0 = v(0)$, then relation under the square root become negative:

$$(v(0) - I_p R_2)^2 - 2 \frac{I_p}{C K_v} = -0.0396 < 0. \quad (46)$$

In both cases the algorithm is terminated with error. Note, that modification of case 2) corresponding to VCO overload (equation (35) in [34]) can not be applied here, since $v(0) > I_p R_2$ (no overload) and $v(1)$ is not computed yet because of the error.

Corrected model successfully detects overload without any error:

$$v(1) + \frac{\omega_{\text{vco}}^{\text{free}}}{K_{\text{vco}}} - I_p R_2 \approx -0.2106 < 0 \quad (47)$$

C. Example 3

Consider parameters:

$$\begin{aligned} \tau(0) &= -0.123; & v(0) &= 0.6, \\ R_2 &= 0.2; C = 0.02; K_v = 20; I_p = 0.1; T = 0.125. \end{aligned} \quad (48)$$

Similar to (37) and (38)

$$\begin{aligned} K_N &= 0.05, & \tau_{2N} &= 0.032, \\ F_N &\approx 0.1989, & \zeta &= 0.02, \end{aligned} \quad (49)$$

$$\begin{aligned} F_N &< \frac{\sqrt{1 + \zeta^2} - \zeta}{\pi} \approx 0.3120, \\ F_N &< \frac{1}{4\pi\zeta} \approx 3.9789, \end{aligned} \quad (50)$$

parameters (48) correspond to allowed area in Fig. 13 (equations (46)-(47), Fig. 18 and Fig. 22 in [34]).

Now we compute $\tau(1)$ and $v(1)$ following the flowchart in Fig. 12: since $\tau(0) < 0$ one proceeds to *case 2)* and corresponding equation for computing $\tau(k+1)$ (equation (9) in [34]):

$$\begin{aligned} \tau(1) &= \frac{\frac{1}{K_v} - I_p R_2 \tau(0) - \frac{I_p \tau(0)^2}{2C}}{v(0)} - T + \tau(0) \approx -0.224, \\ -0.224 &< -T = -0.125. \end{aligned} \quad (51)$$

The last inequality indicates cycle-slipping (out of lock). According to the flowchart in Fig. 12 (see Fig. 10 in [34]), one proceeds to *case 6)* and recalculates $\tau(1)$. First step of *case 6)* is to calculate t_1, t_2, t_3, \dots using (44) (see equations

(16) and (17) in [34]) until $t_1 + t_2 + \dots + t_n > |\tau(0)|$. Even if we suppose $v(-1) = v(0) - \frac{I_p}{C} \tau(0)$, we get

$$\begin{aligned} t_1 &= 0.0463, & v_1 &= 1.215; \\ t_2 &= 0.0618, & v_2 &= 0.983; \\ t_1 + t_2 &= 0.1081 < |\tau(0)| = 0.123. \end{aligned} \quad (52)$$

However, t_3 can not be computed, because the relation under the square root in (44) is negative:

$$(v_2 - I_p R_2)^2 - 2 \frac{I_p}{C} \cdot \frac{1}{K_v} \approx -0.0726. \quad (53)$$

Corrected model gives

$$\tau(1) = -0.0569, \quad v(1) = 0.3153. \quad (54)$$

VI. MATHEMATICAL SIMPLIFICATION OF THE DISCRETE MODEL OF CP-PLL

Follow the ideas from [1], [7], the number of parameters in (32) can be reduced to just two (α and β)

$$\begin{aligned} \tau_k^{\alpha\beta} &= \frac{\tau_k}{T_{\text{ref}}}, \\ \omega_k^{\alpha\beta} &= T_{\text{ref}} \left(\omega_{\text{vco}}^{\text{free}} + K_{\text{vco}} v_k \right) - 1, \\ \alpha &= K_{\text{vco}} I_p T_{\text{ref}} R, \\ \beta &= \frac{K_{\text{vco}} I_p T_{\text{ref}}^2}{2C}. \end{aligned} \quad (55)$$

Then

$$\begin{aligned} \omega_{k+1}^{\alpha\beta} &= \omega_k^{\alpha\beta} + 2\beta \tau_{k+1}^{\alpha\beta} (\tau_k^{\alpha\beta}, \omega_k^{\alpha\beta}), \\ k &= 0, 1, 2, \dots \end{aligned} \quad (56)$$

with initial conditions $\tau^{\alpha\beta}(0)$ and $\omega^{\alpha\beta}(0)$. Function $\tau_{k+1}^{\alpha\beta}(\tau_k^{\alpha\beta}, \omega_k^{\alpha\beta})$ is defined by the following equation

$$\tau_{k+1}^{\alpha\beta}(\tau_k^{\alpha\beta}, \omega_k^{\alpha\beta}) = \begin{cases} \frac{-b_n + \sqrt{b_n^2 - 4\beta c}}{2\beta}, & \tau_k^{\alpha\beta} \geq 0, \quad c \leq 0, \\ \frac{1}{\omega_k^{\alpha\beta} + 1} - 1 + (\tau_k^{\alpha\beta} \bmod 1), & \tau_k^{\alpha\beta} \geq 0, \quad c > 0, \\ l_{bn} - 1, & \tau_k^{\alpha\beta} < 0, \quad l_{bn} \leq 1, \\ \frac{-b_n + \sqrt{b_n^2 - 4\beta d}}{2\beta}, & \tau_k^{\alpha\beta} < 0, \quad l_{bn} > 1, \end{cases} \quad (57)$$

$$b_n = b_n(\omega_k^{\alpha\beta}) = \omega_k^{\alpha\beta} + \alpha + 1,$$

$$c = c(\tau_k^{\alpha\beta}, \omega_k^{\alpha\beta}) =$$

$$(1 - (\tau_k^{\alpha\beta} \bmod 1))(\omega_k^{\alpha\beta} + 1) - 1,$$

$$l_{bn} = l_{bn}(\tau_k^{\alpha\beta}, \omega_k^{\alpha\beta}) = \frac{1 - (S_{l_k} \bmod 1)}{\omega_k^{\alpha\beta} + 1},$$

$$S_{l_k} = S_{l_k}(\tau_k^{\alpha\beta}, \omega_k^{\alpha\beta}) =$$

$$- \left(\omega_k^{\alpha\beta} - \alpha + 1 \right) \tau_k^{\alpha\beta} + \beta \tau_n^2(k),$$

$$d = d(\tau_k^{\alpha\beta}, \omega_k^{\alpha\beta}) = (S_{l_k} \bmod 1) + \omega_k^{\alpha\beta}.$$

This change of variables allows to reduce parameter space and simplify design of PFD PLLs.

Moreover, checking requirement (34) for all k is impossible in practice during simulation. Instead one can check that values of $\omega_{\alpha\beta}$ and $\tau_{\alpha\beta}$ are small, which indicate that frequencies of VCO and input signal are close and trailing edges happen almost at the same time. It means that the loop is in a locked state.

A. Locked states and periodic solutions

By (55), there is only one stationary point

$$\begin{aligned}\omega_k^{\alpha\beta} &= \omega_{k+1}^{\alpha\beta} \equiv 0, \\ \tau_k^{\alpha\beta} &= \tau_{k+1}^{\alpha\beta} \equiv 0.\end{aligned}\quad (58)$$

which is a locked state if it is locally stable. Period-2 points

$$\begin{aligned}\omega_{k+2}^{\alpha\beta} &= \omega_k^{\alpha\beta}, \\ \tau_{k+2}^{\alpha\beta} &= \tau_k^{\alpha\beta},\end{aligned}\quad (59)$$

also can be found by (55):

$$\begin{aligned}\omega^{\alpha\beta} k + 2 &= \omega_{k+1}^{\alpha\beta} + 2\beta\tau_{k+2}^{\alpha\beta}, \\ &= \omega_k^{\alpha\beta} + 2\beta\tau_{k+2}^{\alpha\beta} + 2\beta\tau_{k+1}^{\alpha\beta}, \\ \tau_{k+2}^{\alpha\beta} &= -\tau_{k+1}^{\alpha\beta}.\end{aligned}\quad (60)$$

From (60) period-2 points correspond to the alternating between Case 2 and Case 4. In general, period- P points satisfy equation

$$\sum_{i=k+1}^{k+P} \tau_i = 0. \quad (61)$$

By (57) it is possible to obtain exact relations for all periodic solutions.

VII. COMPARISON OF SIMULINK VS V.PAEMEL'S MODEL VS CORRECTED MODEL

Correctness of proposed model was verified by extensive simulation in Matlab Simulink. Circuit level model in Matlab Simulink was compared with original model by V. Paemel and proposed model. Full code also can be found in Github repository <https://github.com/mir/PFD-simulation> Here we consider only few examples. Based on simulation for this set of parameters all three models produce almost the same results.

A. Example 5

$$\begin{aligned}\tau(0) &= 0; \quad v(0) = 10, \\ R_2 &= 1000; C = 10^{-6}; K_v = 500; I_p = 10^{-3}; T = 10^{-3}. \\ \tau_{2N} &= 1; K_N = 0.5; F_N = 0.1125; \zeta = 0.3536.\end{aligned}\quad (62)$$

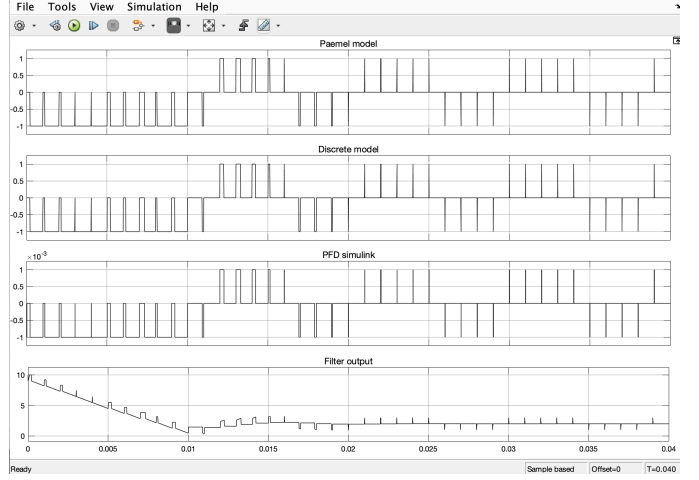


Fig. 14: Comparison of PFD outputs of Simulink model (PFD Simulink) vs V.Paemel's model (Paemel model) vs Corrected model (Discrete model). Lower subfigure demonstrates output of Loop filter. For considered set of parameters ($\tau(0) = 0; v(0) = 10; R_2 = 1000; C = 10^{-6}; K_v = 500; I_p = 10^{-3}; T = 10^{-3}; \tau_{2N} = 1; K_N = 0.5; F_N = 0.1125; \zeta = 0.3536$) all three models produce almost the same results.

B. Example 6

$$\begin{aligned}\tau(0) &= 0; v(0) = 100, \\ R_2 &= 1000; C = 4 \cdot 10^{-6}; K_v = 500; I_p = 10^{-3}; T = 10^{-3}. \\ \tau_{2N} &= 4; K_N = 0.5; F_N = 0.0563; \zeta = 0.7017.\end{aligned}\quad (63)$$

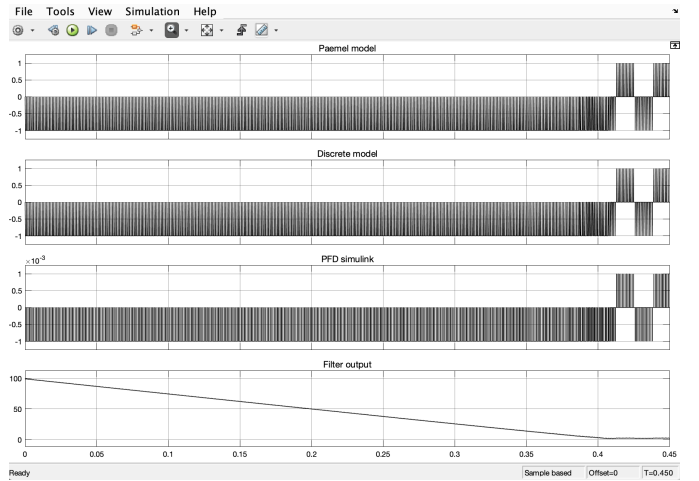


Fig. 15: Comparison of PFD outputs of Simulink model (PFD Simulink) vs V.Paemel's model (Paemel model) vs Corrected model (Discrete model). Lower subfigure demonstrates output of Loop filter. For considered set of parameters ($\tau(0) = 0; v(0) = 100; R_2 = 1000; C = 4 \cdot 10^{-6}; K_v = 500; I_p = 10^{-3}; T = 10^{-3}; \tau_{2N} = 4; K_N = 0.5; F_N = 0.0563; \zeta = 0.7017$) all three models produce almost the same results.

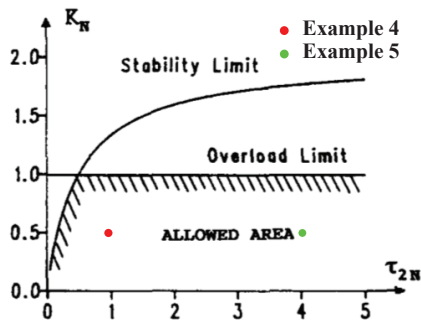


Fig. 18. Stability and overload limits for the PLL normalized loop gain K_N as function of the normalized loop filter time constant τ_{2N} .

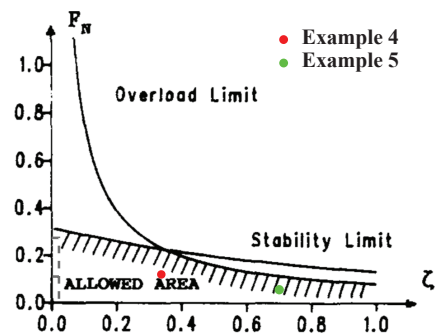


Fig. 22. Stability and overload limits for the PLL normalized natural frequency F_N as a function of the damping factor ζ .

Fig. 13: Parameters for Example 5 and Example 6 correspond to allowed area (see Fig 18 and Fig. 22 in [34])

VIII. ALGORITHM FOR VCO OVERLOAD

If filter output $v_F(t)$ is small enough then VCO equation (3) should be modified [?] to satisfy (4):

$$\dot{\theta}_{\text{vco}}(t) = \begin{cases} \omega_{\text{vco}}^{\text{free}} + K_{\text{vco}} v_F(t), & v_F(t) > -\frac{\omega_{\text{vco}}^{\text{free}}}{K_{\text{vco}}} \\ 0, & v_F(t) \leq -\frac{\omega_{\text{vco}}^{\text{free}}}{K_{\text{vco}}} \end{cases} \quad (64)$$

At step k VCO overload can be detected by checking the following conditions:

$$\begin{aligned} \tau_k > 0 \text{ and } v_k + \frac{\omega_{\text{vco}}^{\text{free}}}{K_{\text{vco}}} - \frac{I_p}{C} \tau_k < 0, \\ \tau_k < 0 \text{ and } v_k + \frac{\omega_{\text{vco}}^{\text{free}}}{K_{\text{vco}}} - I_p R < 0. \end{aligned} \quad (65)$$

Following Cases describe how to modify (32) to take into account VCO overload.

- **Case O1.** $\tau_k < 0$, $K_{\text{vco}} v_k + \omega_{\text{vco}}^{\text{free}} > 0$, $\tau_{k+1} < 0$
- **Case O2.** $\tau_k < 0$, $K_{\text{vco}} v_k + \omega_{\text{vco}}^{\text{free}} > 0$, $\tau_{k+1} \geq 0$
- **Case O3.** $\tau_k < 0$, $K_{\text{vco}} v_k + \omega_{\text{vco}}^{\text{free}} \leq 0$, $v_k + \frac{\omega_{\text{vco}}^{\text{free}}}{K_{\text{vco}}} + I_p R < 0$
- **Case O4.** $\tau_k < 0$, $K_{\text{vco}} v_k + \omega_{\text{vco}}^{\text{free}} \leq 0$, $v_k + \frac{\omega_{\text{vco}}^{\text{free}}}{K_{\text{vco}}} + I_p R \geq 0$
- **Case O5.** $\tau_k \geq 0$, $K_{\text{vco}} v_k + \omega_{\text{vco}}^{\text{free}} \leq 0$, $\tau_{k+1} > 0$
- **Case O5*.** Impossible. $\tau_k \geq 0$, $K_{\text{vco}} v_k + \omega_{\text{vco}}^{\text{free}} \leq 0$, $\tau_{k+1} < 0$.
- **Case O6.** $\tau_k \geq 0$, $K_{\text{vco}} v_k + \omega_{\text{vco}}^{\text{free}} > 0$, $\tau_{k+1} > 0$,
- **Case O7.** $\tau_k \geq 0$, $K_{\text{vco}} v_k + \omega_{\text{vco}}^{\text{free}} > 0$, $\tau_{k+1} \leq 0$,

Case O1. $\tau_k < 0$, $K_{\text{vco}} v_k + \omega_{\text{vco}}^{\text{free}} > 0$, $\tau_{k+1} < 0$ (equivalently $l_b < T_{\text{ref}}$)

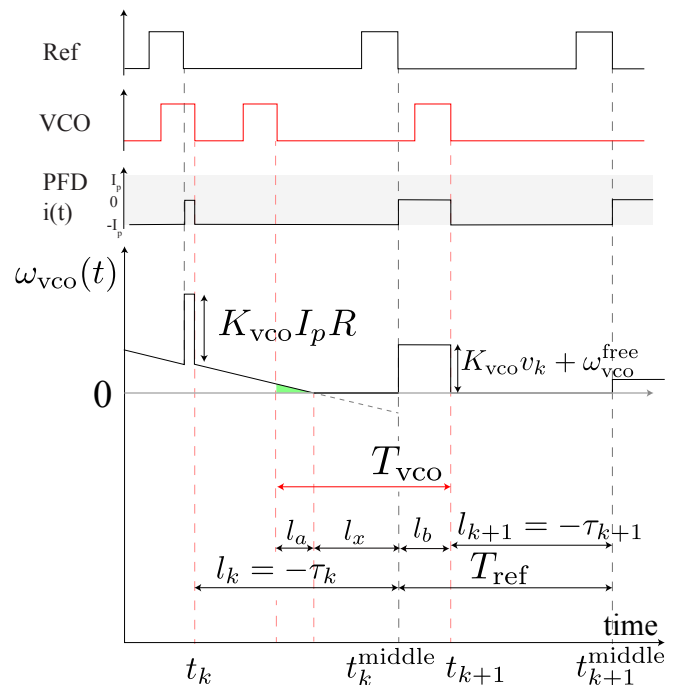


Fig. 16: VCO overload case O1. $\tau_k < 0$, $K_{\text{vco}} v_k + \omega_{\text{vco}}^{\text{free}} > 0$, $\tau_{k+1} < 0$ (equivalently $l_b < T_{\text{ref}}$)

Note, that values τ_k and v_k can be correctly computed by (32).

In order to compute τ_{k+1} taking into account VCO overload, one can compute phase of VCO before it's frequency hit zero. The VCO phase at that moment corresponds to the area S_{l_a} of the green triangle (see Fig. 16). In order to find the triangle area one can find l_x — time interval corresponding to zero VCO frequency:

$$l_x = \min \left\{ -\frac{C}{I_p} \left(v_k + \frac{\omega_{\text{vco}}^{\text{free}}}{K_{\text{vco}}} - I_p R \right), -\tau_k \right\}. \quad (66)$$

Since the triangle in question (S_{l_a}) is part of the larger

triangle S , we get

$$S = K_{\text{vco}}(\tau_k + l_x)^2 \frac{I_p}{2C}, \quad (67)$$

$$S_{l_a} = S \pmod{1}.$$

Condition $\tau_{k+1} < 0$ means that VCO edge triggered change of PFD state from 0 to $-I_p$. Since phase change between two consecutive falling edges of VCO is 1, we get

$$S_{l_a} + l_b(K_{\text{vco}}v_k + \omega_{\text{vco}}^{\text{free}}) = 1,$$

$$l_b = \frac{1 - S_{l_a}}{K_{\text{vco}}v_k + \omega_{\text{vco}}^{\text{free}}}. \quad (68)$$

where l_b is time during which PFD was in zero state. If $l_b < T_{\text{ref}}$, then

$$\tau_{k+1} = -(T_{\text{ref}} - l_b). \quad (69)$$

If $l_b \geq T_{\text{ref}}$ then we should proceed to the next case (O2).

Case O2. $\tau_k < 0$, $K_{\text{vco}}v_k + \omega_{\text{vco}}^{\text{free}} > 0$, $\tau_{k+1} \geq 0$ (equivalently $l_b \geq T_{\text{ref}}$)

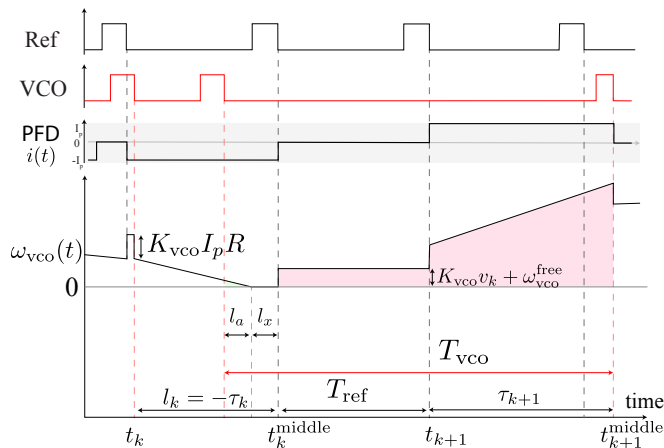


Fig. 17: VCO overload case O2. $\tau_k < 0$, $K_{\text{vco}}v_k + \omega_{\text{vco}}^{\text{free}} > 0$, $\tau_{k+1} \geq 0$ (equivalently $l_b \geq T_{\text{ref}}$)

Value of S_{l_a} is computed by (67). Now we can compute τ_{k+1} (see Fig. 17) similarly to **case 4**, (30)

$$\tau_{k+1} = \frac{-b + \sqrt{b^2 - 4ad}}{2a},$$

$$a = \frac{K_{\text{vco}}I_p}{2C}, \quad (70)$$

$$b = b(v_k) = \omega_{\text{vco}}^{\text{free}} + K_{\text{vco}}v_k + K_{\text{vco}}I_pR,$$

$$d = b(\tau_k, v_k) = S_{l_a} + S_{T_{\text{ref}}} - 1,$$

$$S_{T_{\text{ref}}} = S_{T_{\text{ref}}}(v_k) = T_{\text{ref}}(K_{\text{vco}}v_k + \omega_{\text{vco}}^{\text{free}}),$$

Case O3. $\tau_k < 0$, $K_{\text{vco}}v_k + \omega_{\text{vco}}^{\text{free}} \leq 0$, $v_k + \frac{\omega_{\text{vco}}^{\text{free}}}{K_{\text{vco}}} + I_pR < 0$

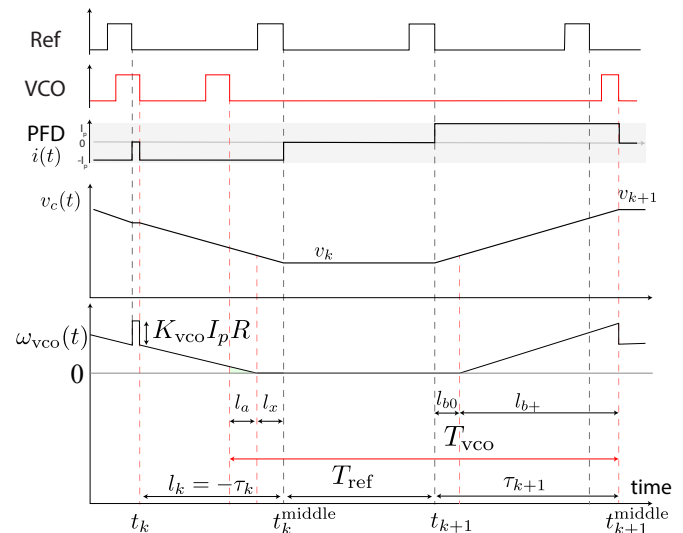


Fig. 18: Overload limit, VCO cycle slipping; $\tau_k < 0$, $\tau_{k+1} < 0$

Consider timing diagram on Fig. 18. One can split interval τ_{k+1} into subintervals l_{b0} , l_{b+} such that PFD output is zero on l_{b0} and positive on l_{b+} :

$$\tau_{k+1} = l_{b0} + l_{b+},$$

$$\omega_{\text{vco}}^{\text{free}} + K_{\text{vco}}(I_pR + v_k + \frac{I_p}{C}l_{b0}) = 0, \quad (71)$$

$$l_{b0} = \frac{C}{I_p} \left(-\frac{\omega_{\text{vco}}^{\text{free}}}{K_{\text{vco}}} - I_pR - v_k \right).$$

Since phase difference between two consecutive falling edges of VCO is 1, we get

$$S_{l_a} + S_{l_{b+}} = 1,$$

$$S_{l_{b+}} = \frac{K_{\text{vco}}I_p l_{b+}^2}{2C}, \quad (72)$$

$$l_{b+} = \sqrt{(1 - S_{l_a}) \frac{2C}{K_{\text{vco}}I_p}},$$

where S_{l_a} and S_{l_b} are areas of corresponding triangles (phase difference of VCO for corresponding time intervals).

Case O4. $\tau_k < 0$, $K_{\text{vco}}v_k + \omega_{\text{vco}}^{\text{free}} \leq 0$, $v_k + \frac{\omega_{\text{vco}}^{\text{free}}}{K_{\text{VCO}}} + I_p R \geq 0$

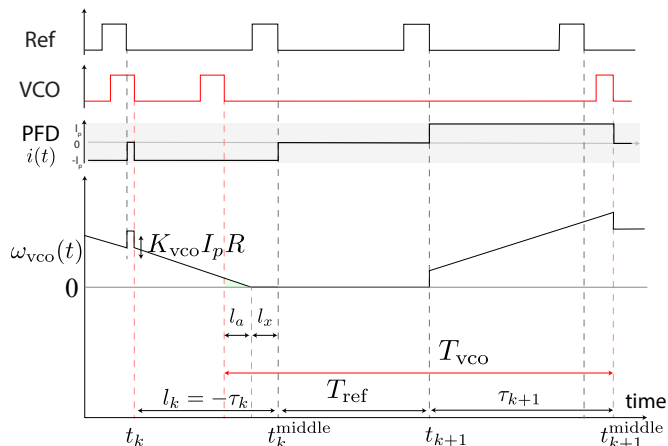


Fig. 19: VCO overload case O4. $\tau_k < 0$, $K_{\text{vco}}v_k + \omega_{\text{vco}}^{\text{free}} \leq 0$, $v_k + \frac{\omega_{\text{vco}}^{\text{free}}}{K_{\text{VCO}}} + I_p R \geq 0$

Consider timing diagram on Fig. 19. Since phase difference between two consecutive falling edges of VCO is 1, we get

$$S_{l_a} + S_{\tau_{k+1}} = 1, \quad (73)$$

where S_{l_a} can be computed using (67), and $S_{\tau_{k+1}}$ is phase of VCO corresponding to time interval τ_{k+1} . Then

$$S_{\tau_{k+1}} = \frac{K_{\text{vco}}I_p}{2C} \tau_{k+1}^2 + \tau_{k+1}(\omega_{\text{vco}}^{\text{free}} + K_{\text{vco}}(v_k + I_p R)). \quad (74)$$

Finally,

$$\begin{aligned} \tau_{k+1} &= \frac{-b + \sqrt{b^2 - 4ad_o}}{2a}, \\ a &= \frac{K_{\text{vco}}I_p}{2C}, \\ b &= \omega_{\text{vco}}^{\text{free}} + K_{\text{vco}}v_k + K_{\text{vco}}I_p R, \\ d_o &= -S_{\tau_{k+1}}. \end{aligned} \quad (75)$$

Case O5. $\tau_k \geq 0$, $K_{\text{vco}}v_k + \omega_{\text{vco}}^{\text{free}} \leq 0$, $\tau_{k+1} > 0$

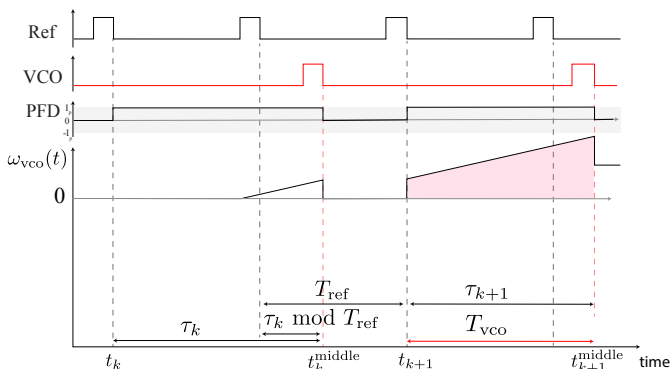


Fig. 20: VCO overload case O5. $\tau_k > 0$, $\tau_{k+1} > 0$

Consider timing diagram on Fig. 20. Since phase difference between two consecutive falling edges of VCO is 1, we get

$$\tau_{k+1}(\omega_{\text{vco}}^{\text{free}} + K_{\text{vco}}(v_k + I_p R)) + \tau_{k+1}^2 \frac{K_{\text{vco}}I_p}{2C} = 1 \quad (76)$$

Therefore

$$\begin{aligned} \tau_{k+1} &= \frac{-b + \sqrt{b^2 + 4a}}{2a}, \\ a &= \frac{K_{\text{vco}}I_p}{2C}, \\ b &= \omega_{\text{vco}}^{\text{free}} + K_{\text{vco}}v_k + K_{\text{vco}}I_p R. \end{aligned} \quad (77)$$

Case O6. $\tau_k \geq 0$, $K_{\text{vco}}v_k + \omega_{\text{vco}}^{\text{free}} > 0$, $\tau_{k+1} > 0$.

Consider timing diagram on Fig. 21. Here τ_{k+1} can be computed using case 1 (without overload, see Fig. 30a)

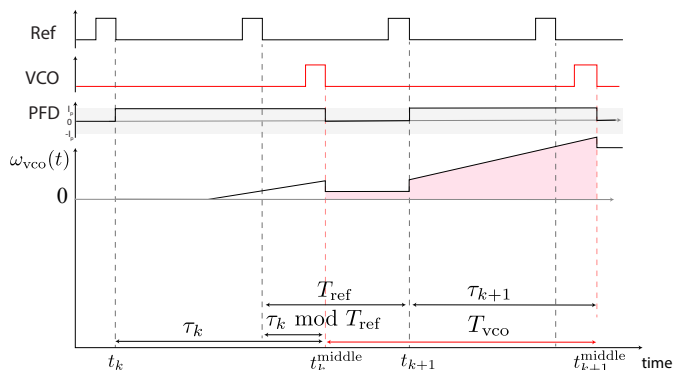


Fig. 21: VCO overload case O6. $\tau_k > 0$, $\tau_{k+1} > 0$

Case O7. $\tau_k \geq 0$, $K_{\text{vco}}v_k + \omega_{\text{vco}}^{\text{free}} > 0$, $\tau_{k+1} \leq 0$

Consider timing diagram on Fig. 22. Here τ_{k+1} can be computed using (22) from case 2 (without overload)

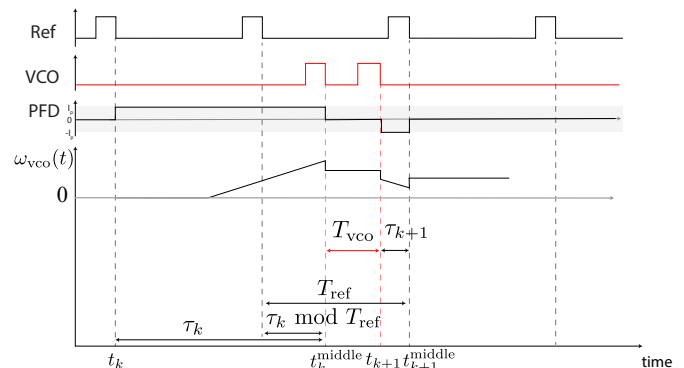


Fig. 22: VCO overload case O7. $\tau_k > 0$, $\tau_{k+1} \leq 0$

IX. SIMULATION OF VCO OVERLOAD MODEL AND COMPARISON WITH MATLAB SIMULINK

Simulink model is shown in Fig. 23. Full code for simulation in Matlab and comparison with simulink model can be found in GitHub repository <https://github.com/mir/cpll-overload> and in Appendix.

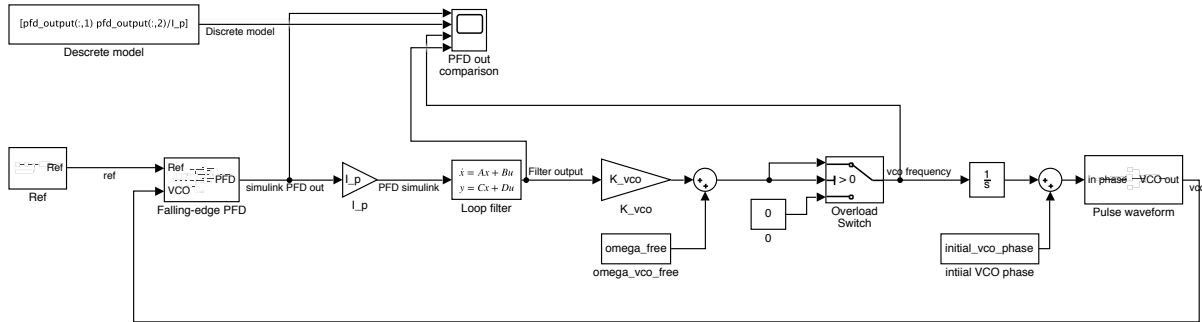


Fig. 23: Matlab Simulink model of CP-PLL with VCO overload

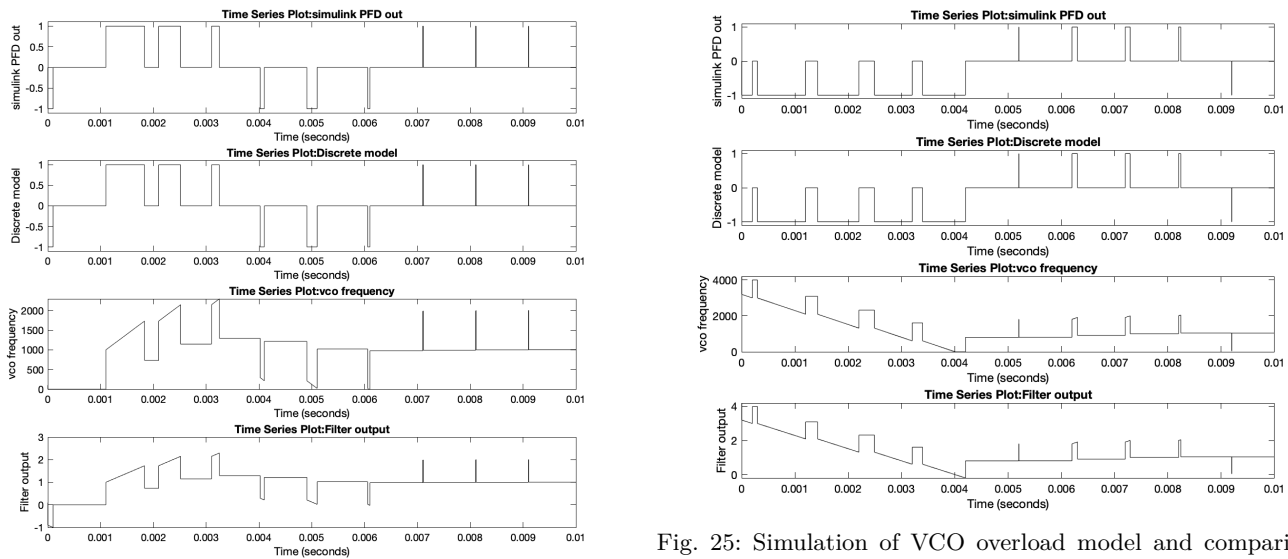


Fig. 24: Simulation of proposed mathematical model and comparison with Matlab Simulink. Here **Discrete model** shows output of PFD predicted by proposed mathematical model, **simulink pfd out**, **vco frequency**, and **Filter output** show results of Simulink simulation. Parameters: $\omega_{vco}^{free} = 0$; $T_{ref} = 10^{-3}$; $R = 1000$; $C = 10^{-6}$; $K_{vco} = 1000$; $I_p = 10^{-3}$; $v_1 = 0$; $\tau_1 = -0.1 \cdot T_{ref}$.

Fig. 25: Simulation of VCO overload model and comparison with Matlab Simulink. Here **Discrete model** shows output of PFD predicted by proposed mathematical model, **simulink pfd out**, **vco frequency**, and **Filter output** show results of Simulink simulation. Parameters: $\omega_{vco}^{free} = 0$; $T_{ref} = 10^{-3}$; $R = 1000$; $C = 10^{-6}$; $K_{vco} = 1000$; $I_p = 10^{-3}$; $v_1 = 4$; $\tau_1 = -0.2 \cdot T_{ref}$;

It is easy to see that simulation with proposed discrete model Simulation confirms mathematical proof and justifies proposed model.

CONCLUSION

In this paper a non-linear mathematical model of CP-PLL is rigorously derived. The obtained model obviates the shortcomings in previously known mathematical models of CP-PLL. The VCO overload case initially noted in [34] is extended to take into account new cases. Analysis of local stability with respect to coordinate τ_k (partial stability, see condition (34)) gives us the estimation of the hold-in range. There is a hypothesis, which has not yet been proven rigorously, that the hold-in and pull-in ranges are coincide. For some parameters we estimate the pull-in time numerically. There were many attempts to generalize equations derived in [34] for higher-order loops (see, e.g. [5], [14], [15], [27], [30], [33]), but the resulting transcendental equations can not be solved analytically without using approximations. Therefore proposed model is very

effective and corresponding numerical algorithm is much faster than alternative models (e.g., Matlab Simulink).

ACKNOWLEDGEMENTS

The work is supported by the Russian Science Foundation project 19-41-02002 and Grant for Leading Scientific Schools of Russia (2018-2019).

Authors would like to thank Mark Van Paemel for valuable comments. In private communication with Mark Van Paemel it turned out that some of the considered shortcomings were avoided in FORTRAN code that he used for the simulation of the circuit. Also Mark Van Paemel emphasized importance of VCO overload and motivated us to develop corresponding algorithm.

REFERENCES

- [1] P. Acco. *Study of the loop 'a phase lock: Hybrid aspects taken into account*. PhD thesis, Toulouse, INSA, 2003.
- [2] P. Acco, J. Daafouz, D. Fourniet-Prunaret, and A.-K. Taha. Approche hybride de la stabilité locale de la boucle à verrouillage de phase par impulsions de charge. *Revue e-STA*, 1(4), 2004.
- [3] R.E. Best. *Phase locked loops: design, simulation, and applications*. McGraw-Hill Professional, 2007.
- [4] R.E. Best, N.V. Kuznetsov, G.A. Leonov, M.V. Yuldashev, and R.V. Yuldashev. Tutorial on dynamic analysis of the Costas loop. *Annual Reviews in Control*, 42:27–49, 2016.
- [5] Chuang Bi, Paul F Curran, and Orla Feely. Linearized discrete-time model of higher order charge-pump pll's. In *Circuit Theory and Design (ECCTD), 2011 20th European Conference on*, pages 457–460. IEEE, 2011.
- [6] F. Bizzarri, A. Brambilla, and G.S. Gajani. Periodic small signal analysis of a wide class of type-II phase locked loops through an exhaustive variational model. *IEEE Transactions on Circuits and Systems I: Regular Papers*, 59(10):2221–2231, 2012.
- [7] P.F. Curran, Ch. Bi, and O. Feely. Dynamics of charge-pump phase-locked loops. *International Journal of Circuit Theory and Applications*, 41(11):1109–1135, 2013.
- [8] B. Daniels. *Analysis and design of high order digital phase locked loops*. PhD thesis, National University of Ireland Maynooth, 2008.
- [9] Orla Feely, Paul F. Curran, and Chuang Bi. Dynamics of charge-pump phase-locked loops. *International Journal of Circuit Theory and Applications*, 2012.
- [10] F. Gardner. Charge-pump phase-lock loops. *IEEE Transactions on Communications*, 28(11):1849–1858, 1980.
- [11] F.M. Gardner. *Phaselock techniques*. John Wiley & Sons, New York, 1966.
- [12] F.M. Gardner. *Phaselock techniques*. John Wiley & Sons, 2005.
- [13] M. Guermandi, E. Franchi, and A. Gnudi. On the simulation of fast settling charge pump PLLs up to fourth order. *International Journal of Circuit Theory and Applications*, 39(12):1257–1273, 2011.
- [14] C. Hangmann, C. Hedayat, and U. Hilleringmann. Stability analysis of a charge pump phase-locked loop using autonomous difference equations. *IEEE Transactions on Circuits and Systems I: Regular Papers*, 61(9):2569–2577, 2014.
- [15] Pavan Kumar Hanumolu, Merrick Brownlee, Kartikeya Mayaram, and Un-Ku Moon. Analysis of charge-pump phase-locked loops. *IEEE Transactions on Circuits and Systems I: Regular Papers*, 51(9):1665–1674, 2004.
- [16] C.D. Hedayat, A. Hachem, Y. Leduc, and G. Benbassat. Modeling and characterization of the 3rd order charge-pump PLL: a fully event-driven approach. *Analogue Integrated Circuits and Signal Processing*, 19(1):25–45, 1999.
- [17] J.P. Hein and J.W. Scott. Z-domain model for discrete-time PLL's. *IEEE Transactions on Circuits and Systems*, 35(11):1393–1400, 1988.
- [18] A. Homayoun and B. Razavi. On the stability of charge-pump phase-locked loops. *IEEE Transactions on Circuits and Systems I: Regular Papers*, 63(6):741–750, 2016.

- [19] T. Johnson and J. Holmberg. Nonlinear state-space model of charge-pump based frequency synthesizers. In *Circuits and Systems, 2005. ISCAS 2005. IEEE International Symposium on*, pages 4469–4472. IEEE, 2005.
- [20] N.V. Kuznetsov, G.A. Leonov, M.V. Yuldashev, and R.V. Yuldashev. Rigorous mathematical definitions of the hold-in and pull-in ranges for phase-locked loops. *IFAC-PapersOnLine*, 48(11):710–713, 2015.
- [21] N.V. Kuznetsov, G.A. Leonov, M.V. Yuldashev, and R.V. Yuldashev. Solution of the Gardner problem on the lock-in range of phase-locked loop. *ArXiv e-prints*, 2017. 1705.05013.
- [22] N.V. Kuznetsov, M.V. Yuldashev, R.V. Yuldashev, M.V. Blagov, E.V. Kudryashova, O.A. Kuznetsova, and T.N. Mokaev. Comment on "Analysis of a charge-pump PLL: A new model" by M. van Paemel. *arXiv preprint arXiv:1810.02609*, 2018.
- [23] G.A. Leonov, N.V. Kuznetsov, M.V. Yuldashev, and R.V. Yuldashev. Hold-in, pull-in, and lock-in ranges of PLL circuits: rigorous mathematical definitions and limitations of classical theory. *IEEE Transactions on Circuits and Systems-I: Regular Papers*, 62(10):2454–2464, 2015.
- [24] W.C. Lindsey and R.C. Tausworthe. *A Bibliography of the Theory and Application of the Phase-lock Principle*. JPL technical report. Jet Propulsion Laboratory, California Institute of Technology, 1973.
- [25] J. Lu, B. Grung, S. Anderson, and S. Rokhsaz. Discrete z-domain analysis of high order phase locked loops. In *Circuits and Systems, 2001. ISCAS 2001. The 2001 IEEE International Symposium on*, volume 1, pages 260–263. IEEE, 2001.
- [26] G. Mészáros, Cs Fúzy, and J. Ladvánszky. Does amplitude or phase noise arise first? *Electronics Letters*, 48(12):1, 2012.
- [27] Sinisa Milicevic and Leonard MacEachern. Time evolution of the voltage-controlled signal in charge pump pll applications. In *Microelectronics, 2008. ICM 2008. International Conference on*, pages 413–416. IEEE, 2008.
- [28] B. Razavi. *Monolithic phase-locked loops and clock recovery circuits: theory and design*. John Wiley & Sons, 1996.
- [29] Werner Rosenkranz. Phase-locked loops with limiter phase detectors in the presence of noise. *IEEE Transactions on communications*, COM-30(10):805–809, 1982.
- [30] Sergio Sancho, Almudena Suárez, and Jeffrey Chuan. General envelope-transient formulation of phase-locked loops using three time scales. *IEEE Transactions on Microwave Theory and Techniques*, 52(4):1310–1320, 2004.
- [31] V.V. Shakhgil'dyan and A.A. Lyakhovkin. *Fazovaya avtopodstroika chastoty (in Russian)*. Svyaz', Moscow, 1966.
- [32] V.V. Shakhgil'dyan and A.A. Lyakhovkin. *Sistemy fazovoi avtopodstroiki chastoty (in Russian)*. Svyaz', Moscow, 1972.
- [33] B.I. Shakhhtar, A.A. Timofeev, and V.V. Sizykh. Mathematical model of the phase-locked loop with a current detector. *Journal of Communications Technology and Electronics*, 59(10):1061–1068, 2014.
- [34] M. van Paemel. Analysis of a charge-pump PLL: A new model. *IEEE Transactions on communications*, 42(7):2490–2498, 1994.
- [35] A. Viterbi. *Principles of coherent communications*. McGraw-Hill, New York, 1966.
- [36] Z. Wang. An analysis of charge-pump phase-locked loops. *IEEE Transactions on Circuits and Systems I: Regular Papers*, 52(10):2128–2138, 2005.

APPENDIX: SIMULINK MODEL

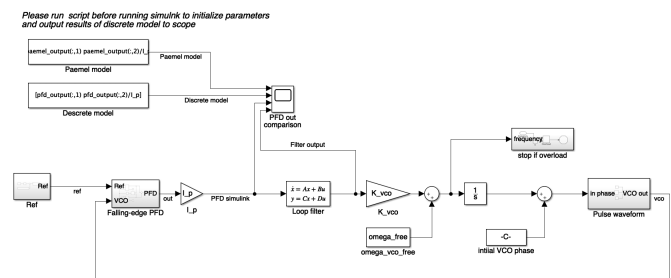


Fig. 26: Simulink model of CP-PLL

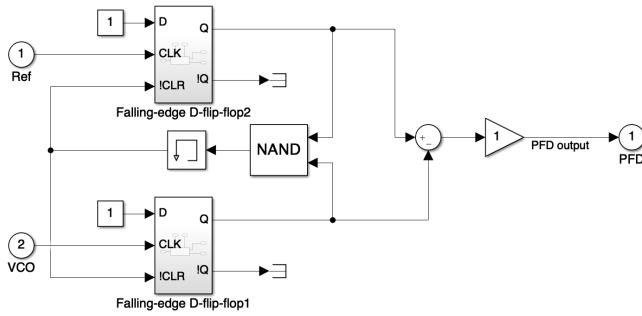


Fig. 27: Simulink model of PFD

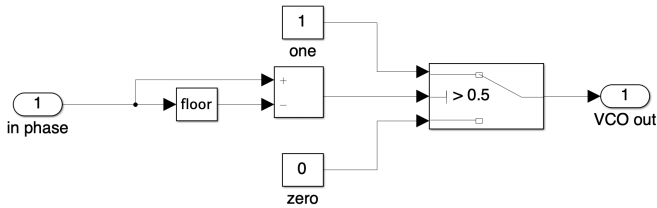


Fig. 28: Simulink model of VCO

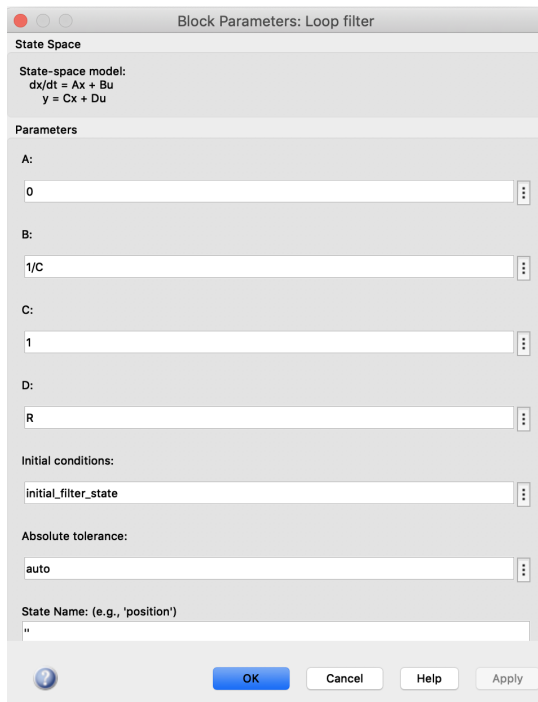


Fig. 29: Simulink model of Loop filter

```

1 % parameters
2 omega_free = 0;
3 T_ref = 10^-3;
4 R = 1000;
5 C = 10^-6;
6 K_vco = 500;
7 I_p = 10^-3;
8
9 % recalculated values
10 tau_2N = R*C/T_ref
11 K_N = I_p*R*K_vco*T_ref
12 F_N = 1/(2*pi)*sqrt(K_N/tau_2N)
13 dzeta = sqrt(K_N*tau_2N)/2
14
15 % initial data
16 v_1 = 10;
17 tau_1 = T_ref*0;
18

```

```

19 % number of steps (tau_k) to simulate
20 max_step = 10000;
21
22 % initialize PFD output with initial data
23 pfd_output = zeros((max_step-1)*4,2);
24 pfd_output(1,:) = [0 0];
25 if (tau_1 >= 0)
26     pfd_output(2,:) = [0 I_p];
27     pfd_output(3,:) = [tau_1 I_p];
28     pfd_output(4,:) = [tau_1 0];
29     t_k_middle = tau_1;
30     initial_vco_phase = 1 - (...
31         (omega_free + K_vco*v_1)*tau_1 ...
32         + K_vco*I_p/2/C*tau_1^2 ...
33         - K_vco*I_p/C*tau_1^2 ...
34     );
35     initial_ref_phase = 0;
36 else
37     pfd_output(2,:) = [0 -I_p];
38     pfd_output(3,:) = [-tau_1 -I_p];
39     pfd_output(4,:) = [-tau_1 0];
40     t_k_middle = -tau_1;
41     initial_vco_phase = 0;
42     initial_ref_phase = 1 + tau_1/T_ref;
43 end
44 initial_filter_state = v_1 - I_p*tau_1/C;
45 index = 4;
46
47
48 tau_v = zeros(max_step,2);
49 tau_v(1,:) = [tau_1 v_1];
50 tau_k = tau_1;
51 v_k = v_1;
52 for step = 2:(max_step - 1)
53     %check for VCO overload
54     if ((tau_k > 0 ...
55         && (v_k+omega_free/K_vco - I_p/C*tau_k) < 0) ...
56         || ...
57         (tau_k < 0 ...
58         && v_k+omega_free/K_vco - I_p*R < 0))
59         error('VCO overload detected at k = %0d',step-1);
60         break;
61     end
62
63     [tau_k1,v_k1,tau_k_zero] = righthand(tau_k,v_k ,...
64         K_vco, T_ref, I_p, C, R, omega_free);
65
66     tau_v(step,:) = [tau_k1 v_k1];
67     t_k1 = t_k_middle + tau_k_zero;
68     index = index + 1;
69     pfd_output(index,:) = [t_k1 0];
70
71     if (tau_k1 ~= 0)
72         index = index + 1;
73         pfd_output(index,:) = [t_k1 I_p*sign(tau_k1)];
74
75         t_k1_middle = t_k1 + abs(tau_k1);
76         index = index + 1;
77         pfd_output(index,:) = [t_k1_middle I_p*sign(tau_k1)];
78         index = index + 1;
79         pfd_output(index,:) = [t_k1_middle 0];
80     end
81
82     t_k = t_k1;
83     t_k_middle = t_k1_middle;
84     tau_k = tau_k1;
85     v_k = v_k1;
86 end
87 [tau_k1,v_k1,tau_k_zero] = righthand(tau_k,v_k ,...
88     K_vco, T_ref, I_p, C, R, omega_free);
89 tau_v(max_step,:) = [tau_k1,v_k1];
90
91 % truncate trailing zeros
92 last_non_zero = find(pfd_output(:,1),1,'last');
93 pfd_output = pfd_output(1:last_non_zero,:);
94
95 % plot(pfd_output(:,1),pfd_output(:,2));
96 % ylim([-1.1*I_p 1.1*I_p]);
97 paemel_simulation;

```

```

1 function [tau_k1,v_k1,tau_k_zero] = righthand( ...
2     tau_k,v_k,...
3     K_vco, T_ref, I_p, C, R, omega_free)
4 %righthandside Corrected
5 if(tau_k >= 0)
6     c = (T_ref - rem(tau_k,T_ref))*(omega_free+K_vco*v_k)-1;
7     if (c <= 0)
8         %
9         tau(k+1) > 0, case 1
10        a = K_vco*I_p/(2*C);
11        b = omega_free + K_vco*v_k + K_vco*I_p*R;
12        tau_k1 = (-b + sqrt(b^2 - 4*a*c))/(2*a);
13        tau_k_zero = T_ref - rem(tau_k,T_ref);
14    else
15        %
16        tau(k+1) < 0, case 2
17        tau_k1 = 1/(omega_free + K_vco*v_k) - T_ref + rem(tau_k,T_ref);
18        tau_k_zero = 1/(omega_free + K_vco*v_k);
19    end
20 else
21     lk = -tau_k;
22     S_lk = (K_vco*v_k-I_p*R*K_vco+omega_free)*lk+(K_vco*I_p*lk^2)/(2*C);
23     S_la = rem(S_lk,1);
24     S_lb = 1-S_la;
25     lb = S_lb/(K_vco*v_k + omega_free);
26     if lb <= T_ref
27         %
28         tau(k+1) < 0
29         l_k1 = T_ref - lb;
30         tau_k1 = -l_k1;
31         tau_k_zero = lb;
32     else
33         %
34         tau(k+1) >= 0
35         S_Tref = T_ref*(K_vco*v_k + omega_free);
36         c = S_la + S_Tref - 1;
37         b = omega_free + K_vco*v_k + K_vco*I_p*R;
38         a = K_vco*I_p/(2*C);

```



```

35     tau_k1 = (-b+sqrt(b^2-4*a*c))/(2*a);
36     tau_k_zero = T_ref;
37 end
38 end
39 v_k1 = v_k + tau_k1*I_p/C;
40 end

1 % check that omega_free is zero
2 if (omega_free > 0)
3     errorldg('Please set omega_free to zero');
4 end
5
6 % initialize PFD output with initial data
7 paemel_output = zeros((max_step-1)*4,2);
8 paemel_output(1,:) = [0 0];
9 if (tau_1 >= 0)
10     paemel_output(2,:) = [0 I_p];
11     paemel_output(3,:) = [tau_1 I_p];
12     paemel_output(4,:) = [tau_1 0];
13     t_k_middle = tau_1;
14     initial_vco_phase = 1 - (...
15         (K_vco*v_1)*tau_1 ...
16         + K_vco*I_p/2/C*tau_1^2 ...
17         - K_vco*I_p/C*tau_1^2 ...
18     );
19     initial_ref_phase = 0;
20 else
21     paemel_output(2,:) = [0 -I_p];
22     paemel_output(3,:) = [-tau_1 -I_p];
23     paemel_output(4,:) = [-tau_1 0];
24     t_k_middle = -tau_1;
25     initial_vco_phase = 0;
26     initial_ref_phase = 1 + tau_1/T_ref;
27 end
28 initial_filter_state = v_1 - I_p*tau_1/C;
29 index = 4;
30
31 tau_v_paemel = zeros(max_step,2);
32 tau_v_paemel(1,:) = [tau_1 v_1];
33 tau_k = tau_1;
34 v_k = v_1;
35 for step = 2:(max_step - 1)
36     [tau_k1,v_k1,tau_k_zero] = paemel_righthand(tau_k,v_k ,...
37         K_vco, T_ref, I_p, C, R);
38
39 % Compute case 6
40 if (tau_k1 < -T_ref)
41     if (step <= 2)
42         errorldg('ERROR in Paemel algo case 6, no v(-1)');
43         paemel_output = zeros((max_step-1)*4,2);
44         break;
45     end
46     v_n_1 = tau_v_paemel(step-2,2);
47     t_sum = 0;
48     while (t_sum < abs(tau_k))
49         t_n = (v_n_1 - I_p*R - sqrt((v_n_1 - I_p*R)^2 -
50             2*I_p/C/K_vco)...
51             )/(I_p/C);
52         t_sum = t_sum + t_n;
53         v_n_prev = v_n_1;
54         v_n_1 = v_n_1 - I_p/C*t_n;
55     end
56     t_sum = t_sum - t_n;
57     t_a = -tau_k - t_sum;
58     t_b = (1/K_vco - t_a*(v_n_prev - I_p*R) + I_p/C*t_a^2/2)/v_k;
59     tau_k1 = t_b - T_ref;
60
61     v_k1 = v_k + tau_k1*I_p/C;
62     tau_k_zero = t_b;
63 end
64
65 tau_v_paemel(step,:) = [tau_k1 v_k1];
66 t_k1 = t_k_middle + tau_k_zero;
67 index = index + 1;
68 paemel_output(index,:) = [t_k1 0];
69
70 if (tau_k1 ~= 0)
71     index = index + 1;
72     paemel_output(index,:) = [t_k1 I_p*sign(tau_k1)];
73
74     t_k1_middle = t_k1 + abs(tau_k1);
75     index = index + 1;
76     paemel_output(index,:) = [t_k1_middle I_p*sign(tau_k1)];
77     index = index + 1;
78     paemel_output(index,:) = [t_k1_middle 0];
79 end
80
81 % case 5
82 if (tau_k1 >= T_ref)
83     tau_k1 = rem(tau_k1,T_ref);
84 end
85
86 t_k = t_k1;
87 t_k_middle = t_k1_middle;
88 tau_k = tau_k1;
89 v_k = v_k1;
90 end
91 [tau_k1,v_k1,tau_k_zero] = righthand(tau_k,v_k ,...
92     K_vco, T_ref, I_p, C, R, omega_free);
93 tau_v_paemel(max_step,:) = [tau_k1,v_k1];
94
95 % truncate trailing zeros
96 last_non_zero = find(paemel_output(:,1),1,'last');
97 if (last_non_zero > 1)
98     paemel_output = paemel_output(1:last_non_zero,:);
99 end
100 % plot(pfd_output(:,1),pfd_output(:,2));
101 % ylim([-1.1*I_p 1.1*I_p]);

```

```

1 function [tau_k1,v_k1,tau_k_zero] = paemel_righthand( ...
2     tau_k,v_k,...
3     K_vco, T_ref, I_p, C, R)

```

```

4 %righthandside Paemel
5 if (tau_k >= 0)
6     % case 1
7     a = I_p/(2*C);
8     b = v_k + I_p*R;
9     c = (T_ref - tau_k)*v_k-1/K_vco;
10    tau_k1 = (-b + sqrt(b^2 - 4*a*c))/(2*a);
11    tau_k_zero = T_ref - tau_k;
12    if (tau_k1 < 0)
13        % case 3 Paemel
14        tau_k1 = 1/(K_vco*v_k) - T_ref + tau_k;
15        tau_k_zero = 1/(K_vco*v_k);
16    end
17 else
18     % case 2 Paemel
19     tau_k1 = (...
20         1/K_vco - I_p*R*tau_k - I_p*tau_k^2/(2*C)...
21         )/v_k - T_ref + tau_k;
22
23     lk = -tau_k;
24     S_lk = (K_vco*v_k-I_p*R*K_vco)*lk+(K_vco*I_p*lk^2)/(2*C);
25     tau_k_zero = (1-rem(S_lk,1))/(K_vco*v_k);
26
27     if (tau_k1 > 0)
28         % case 4 Paemel
29         tau_k1 = (...
30             -I_p*R - v_k + sqrt((I_p*R + v_k)^2 + (2*I_p/C)*v_k*tau_k1) ...
31             )/(I_p/C);
32
33         tau_k_zero = T_ref;
34     end
35 end
36 v_k1 = v_k + tau_k1*I_p/C;
37 end

```

APPENDIX: MATLAB CODE FOR VCO OVERLOAD MODEL

```

1 % parameters
2 omega_free = 0;
3 T_ref = 10^-3;
4 R = 1000;
5 C = 10^-6;
6 K_vco = 1000;
7 I_p = 10^-3;
8
9 % recalculated values
10 tau_2N = R*C/T_ref
11 K_N = I_p*R*K_vco*T_ref
12 F_N = 1/(2*pi)*sqrt(K_N/tau_2N)
13 dzeta = sqrt(K_N*tau_2N)/2
14
15 % initial data
16 v_1 = 4;
17 tau_1 = -0.2*T_ref;
18 if (tau_1 < -T_ref)
19     errorldg('Impossible tau_1. Can not be lower than -T_ref.');
```

```

68 tau_v = zeros(max_step,2);
69 tau_v(1,:) = [tau_1 v_1];
70 tau_k = tau_1;
71 v_k = v_1;
72
73 for step = 2:(max_step - 1)
74     [tau_k1,v_k1,tau_k_zero] = righthand(tau_k,v_k ,...
75                                     K_vco, T_ref, I_p, C, R, omega_free);
76
77     %check for VCO overload
78     if ((tau_k > 0 ...
79         && (v_k+omega_free/K_vco - I_p/C*tau_k) < 0)...
80         |...
81         (tau_k < 0 ...
82         && v_k+omega_free/K_vco - I_p*R < 0))
83         [tau_k_o,v_k_o,tau_k_zero] = righthand_overload(tau_k,v_k ,...
84                                                         tau_k1,v_k1,...
85                                                         K_vco, T_ref, I_p, C, R, omega_free);
86         tau_k1 = tau_k_o;
87         v_k1 = v_k_o;
88     end
89
90     tau_v(step,:) = [tau_k1 v_k1];
91     t_k1 = t_k_middle + tau_k_zero;
92     index = index + 1;
93     pfd_output(index,:) = [t_k1 0];
94
95     if (tau_k1 ~= 0)
96         index = index + 1;
97         pfd_output(index,:) = [t_k1 I_p*sign(tau_k1)];
98
99         t_k1_middle = t_k1 + abs(tau_k1);
100        index = index + 1;
101        pfd_output(index,:) = [t_k1_middle I_p*sign(tau_k1)];
102        index = index + 1;
103        pfd_output(index,:) = [t_k1_middle 0];
104    end
105
106    t_k = t_k1;
107    t_k_middle = t_k1_middle;
108    tau_k = tau_k1;
109    v_k = v_k1;
110
111    end
112    [tau_k1,v_k1,tau_k_zero] = righthand(tau_k,v_k ,...
113                                    K_vco, T_ref, I_p, C, R, omega_free);
114    tau_v(max_step,:) = [tau_k1,v_k1];
115
116    % truncate trailing zeros
117    last_non_zero = find(pfd_output(:,1),1,'last');
118    pfd_output = pfd_output(1:last_non_zero,:);
119    plot(pfd_output(:,1), pfd_output(:,2)/I_p);

```

```

1 function [tau_k1,v_k1,tau_k_zero] = righthand( ...
2     tau_k,v_k,...
3     K_vco, T_ref, I_p, C, R, omega_free)
4 %righthandside Corrected
5 if(tau_k >= 0)
6     c = (T_ref - rem(tau_k,T_ref))*(omega_free+K_vco*v_k)-1;
7     if (c <= 0)
8         % tau(k+1) > 0, case 1
9         a = K_vco*I_p/(2*C);
10        b = omega_free + K_vco*v_k + K_vco*I_p*R;
11        tau_k1 = (-b + sqrt(b^2 - 4*a*c))/(2*a);
12        tau_k_zero = T_ref - rem(tau_k,T_ref);
13    else
14        % tau(k+1) < 0, case 2
15        tau_k1 = 1/(omega_free + K_vco*v_k) - T_ref + rem(tau_k,T_ref);
16        tau_k_zero = 1/(omega_free + K_vco*v_k);
17    end
18 else
19     lk = -tau_k;
20     S_lk = (K_vco*v_k-I_p*R*K_vco+omega_free)*lk+(K_vco*I_p*lk^2)/(2*C);
21     S_la = rem(S_lk,1);
22     S_lb = 1-S_la;
23     lb = S_lb/(K_vco*v_k + omega_free);
24     if lb <= T_ref
25         % tau(k+1) < 0
26         l_k1 = T_ref - lb;
27         tau_k1 = -l_k1;
28         tau_k_zero = lb;
29     else
30         % tau(k+1) >= 0
31         S_Tref = T_ref*(K_vco*v_k + omega_free);
32         c = S_la + S_Tref -1;
33         b = omega_free +K_vco*v_k +K_vco*I_p*R;

```

```

34     a = K_vco*I_p/(2*C);
35     tau_k1 = (-b+sqrt(b^2-4*a*c))/(2*a);
36     tau_k_zero = T_ref;
37     end
38 end
39 v_k1 = v_k + tau_k1*I_p/C;
40 end

```

```

1 function [tau_k_o,v_k_o,tau_k_zero] = righthand_overload( ...
2     tau_k,v_k,...
3     tau_k1,v_k1,...
4     K_vco, T_ref, I_p, C, R, omega_free)
5 %righthandside overload
6 root2 = @(a,b,c) ((-b + sqrt(b^2 - 4*a*c))/2/a);
7
8 omega_vco = omega_free + K_vco*v_k;
9 a = K_vco*I_p/2/C;
10 b = omega_vco + K_vco*I_p*R;
11
12 if(tau_k < 0)
13     l_x = min([-C/I_p*(v_k + omega_free/K_vco - I_p*R) -tau_k]);
14     S = K_vco*(tau_k + l_x)^2*I_p/2/C;
15     Sla = rem(S,1);
16     if (omega_vco > 0)
17         if (tau_k1 < 0)
18             % 01
19             l_b = (1-Sla)/omega_vco;
20             tau_k_o = -(T_ref - l_b);
21
22             tau_k_zero = l_b;
23         else
24             % 02
25             Sref = T_ref*omega_vco;
26             d = Sla + Sref - 1;
27             tau_k_o = root2(a,b,d);
28
29             tau_k_zero = T_ref;
30         end
31     else
32         if (v_k + omega_free/K_vco + I_p*R < 0)
33             % 03
34             l_b_0 = C/I_p*(-omega_free/K_vco - I_p*R - v_k);
35             l_b_plus = sqrt((1 - Sla)*2*C/K_vco/I_p);
36             tau_k_o = l_b_0 + l_b_plus;
37
38             tau_k_zero = T_ref;
39         else
40             % 04
41             d_0 = Sla - 1;
42             tau_k_o = root2(a,b,d_0);
43
44             tau_k_zero = T_ref;
45         end
46     end
47 else
48     if (omega_vco <= 0)
49         if (tau_k1 > 0)
50             % 05
51             tau_k_o = root2(a,b,-1);
52
53             tau_k_zero = T_ref - rem(tau_k,T_ref);
54         end
55     else
56         if (tau_k1 > 0)
57             % 06 equal to case 1) no overload
58             c = (T_ref - rem(tau_k,T_ref))*(omega_free+K_vco*v_k)-1;
59             tau_k_o = root2(a,b,c);
60
61             tau_k_zero = T_ref - rem(tau_k,T_ref);
62         else
63             % 07 equal to case 2) no overload
64             tau_k_o = 1/(omega_free + K_vco*v_k) - T_ref +
65                 (- rem(tau_k,T_ref));
66
67             tau_k_zero = T_ref - rem(tau_k,T_ref) + tau_k_o;
68         end
69     end
70 end
71 v_k_o = v_k + tau_k_o*I_p/C;
72 end

```

APPENDIX: ADDITIONAL PICS

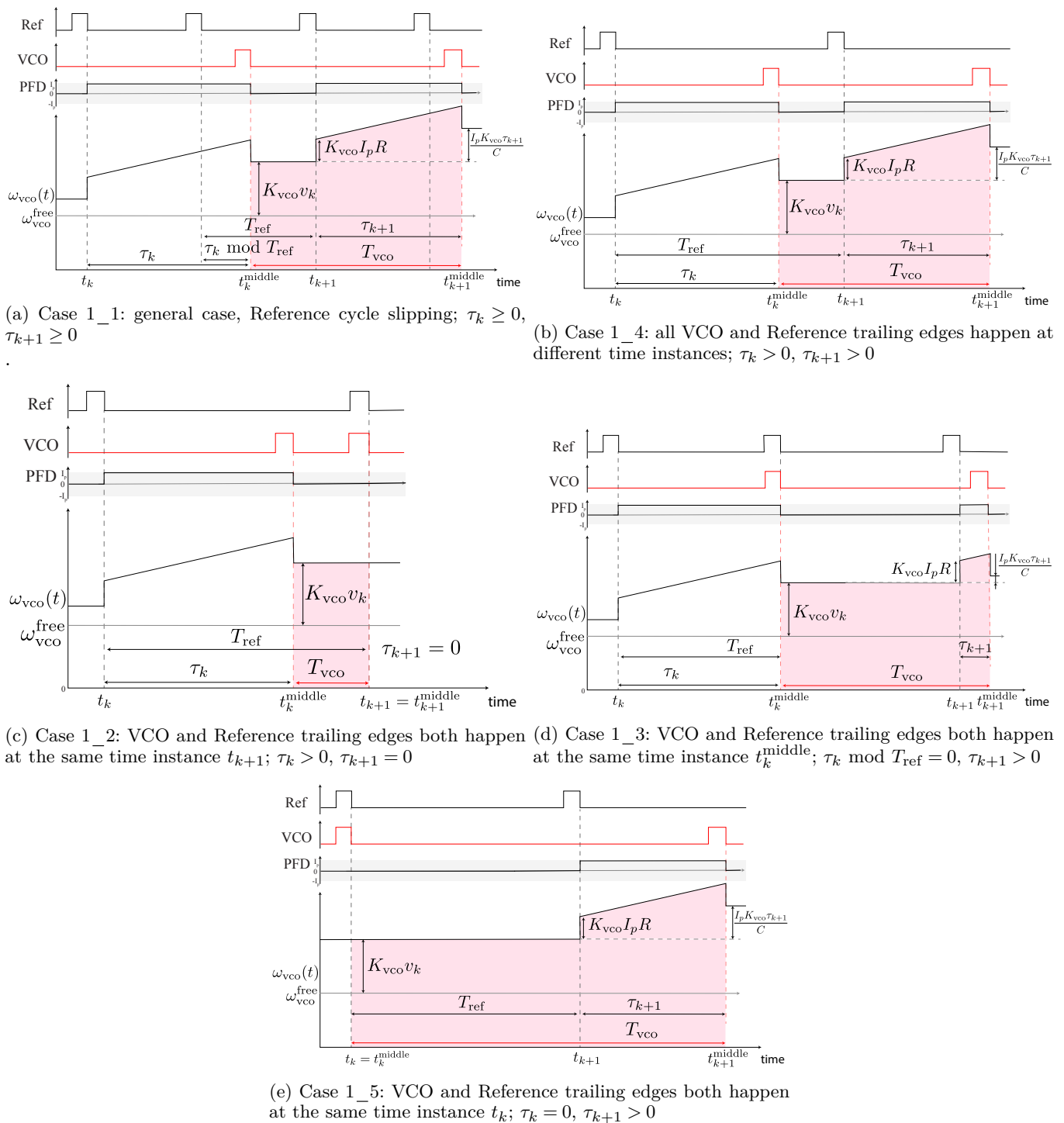
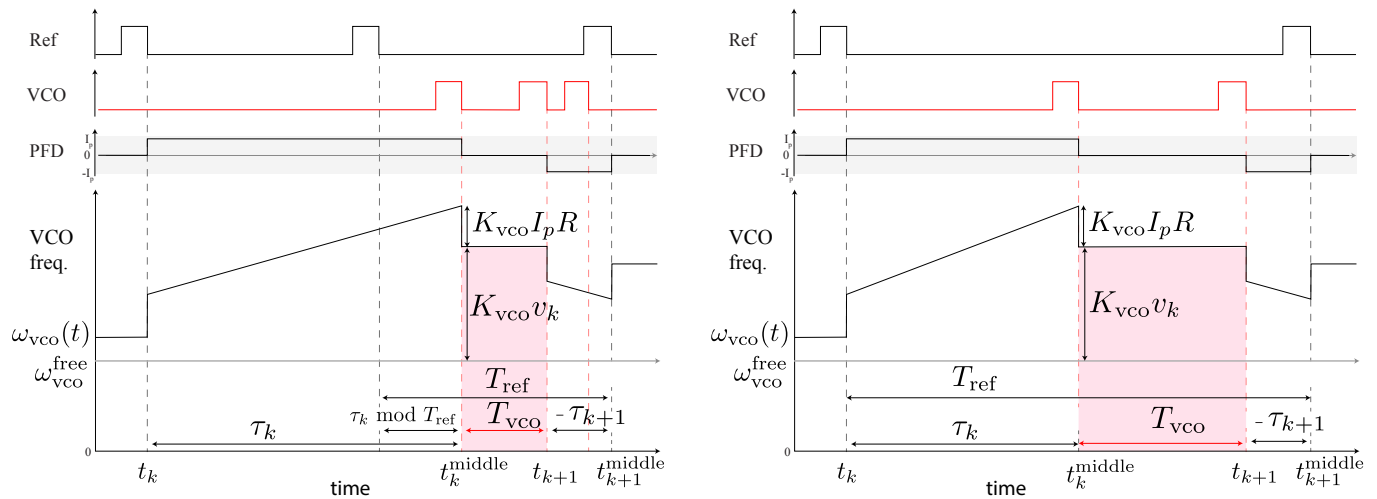
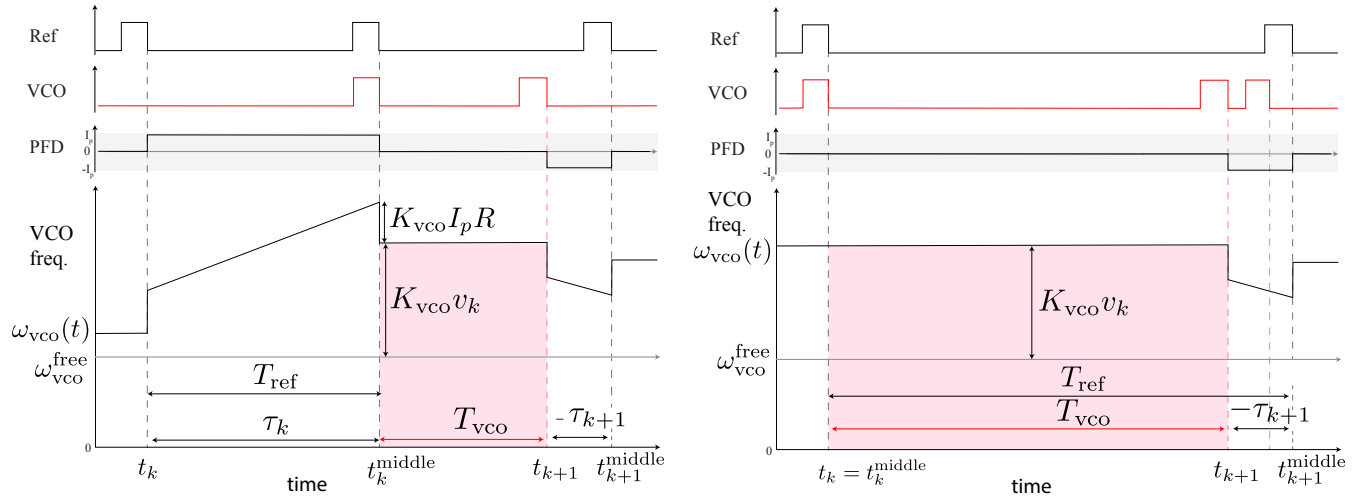


Fig. 30: Subcases of the Case 1. Integral of the VCO frequency ω_{vco} over the VCO period T_{vco} is pink subgraph area (grey in black/white). The integral is equal to 1 according to the PFD switching law and definition of time intervals.



(a) Case 2_1: general case, Reference and VCO cycle slipping; $\tau_k \geq 0$, $\tau_{k+1} < 0$

(b) Case 2_2: all VCO and Reference trailing edges happen at different time instances; $\tau_k > 0$, $\tau_{k+1} < 0$



(c) Case 2_3: VCO and Reference trailing edges both happen at the same time instance t_k^{middle} ; $\tau_k \bmod T_{\text{ref}} = 0$, $\tau_{k+1} < 0$

(d) Case 2_4: VCO and Reference trailing edges both happen at the same time instance t_k ; $\tau_k = 0$, $\tau_{k+1} < 0$

Fig. 31: Subcases of the Case 2. Integral of the VCO frequency ω_{vco} over the VCO period T_{vco} is pink subgraph area (grey in black/white). The integral is equal to 1 according to the PFD switching law and definition of time intervals.

