

On a conjecture by Lions-Perthame-Tadmor and non existence of the BV regularizing effect for scalar conservation laws

Shyam Sundar Ghoshal* and Animesh Jana†

Centre for Applicable Mathematics,
Tata Institute of Fundamental Research,
Post Bag No 6503, Sharadanagar,
Bangalore - 560065, India.

Abstract

We give an explicit generic construction for the entropy solution of scalar conservation laws in multi-dimension to prove non-existence of the regularity in Besov space for all time. We conclude that uniformly convexity and nondegenerate conditions on flux are not good enough to ensure the Besov regularity, in particular BV regularity of the entropy solution in multi-dimension.

1 Introduction

This paper deals with the aspects of regularity, in particular, we establish the failure of BV regularity for the following scalar conservation laws.

$$u_t + \sum_{i=1}^d \frac{\partial}{\partial x_i} f_i(u) = 0, \quad x \in \mathbb{R}^d, \quad t > 0, \quad (1.1)$$

$$u(x, 0) = u_0(x), \quad x \in \mathbb{R}^d. \quad (1.2)$$

In 1994, Lions-Perthame-Tadmor [41] conjectured the regularity of the entropy solution to be in $W_{loc}^{s,p}(\mathbb{R}^d)$, for $s < \alpha$. Another important question in the theory of conservation laws that has remained open is the presence of the regularizing effect from $u_0 \in L^\infty$ to $u(\cdot, t) \in BV_{loc}$ in multi-dimension (see Jabin-Perthame, [32, Page 6]). In the present article we settle the later question in a general setting (see Remark 1.2). We also establish that there exists an entropy solution $u(\cdot, t) \notin W_{loc}^{\alpha+\epsilon,p}(\mathbb{R}^d)$, which concludes the sharpness of the Lions-Perthame-Tadmor conjecture in higher dimension.

*ghoshal@tifrbng.res.in

†animesh@tifrbng.res.in

In general, the equation of the form (1.1) has huge variety of applications in mathematical physics and fluid dynamics. It is well known that even with smooth initial data the solution may have discontinuities in finite time, hence there is no $W^{1,1}$ or better Sobolev regularity for the solution, therefore, one has to define the solution in the sense of distribution. Lax-Oleinik [38, 46] obtained an explicit formula when the flux is C^2 and uniformly convex. Recently in [4], an explicit formula for the solution has been obtained for a degenerate C^1 convex flux. Wellposedness theory in multi-dimension with more general flux has been developed by Kruzkov [37]. For further studies on conservation laws we refer to [5, 6, 7, 10, 11, 12, 16, 19, 20, 23, 31, 35, 37, 38, 39, 41, 49, 50, 51, 56] and the references therein.

Before we can state our main result we need to layout some definitions and elaborate the state of the art on the regularity aspects of the entropy solution of (1.1). We use BV , $W^{s,p}$ and $B^{s,p,\theta}$ as the standard notation of BV space, fractional Sobolev space and Besov space respectively. The detailed definitions are as follows:

Definition 1.1. Let $\Omega \subset \mathbb{R}^d$ be an open set and $u \in L^1(\Omega)$. We say $u \in BV(\Omega)$ if for each $i = 1, \dots, d$ there exists a finite signed measure $\lambda_i : \mathcal{B}(\Omega) \rightarrow \mathbb{R}$ such that

$$\int_{\Omega} u \frac{\partial \phi}{\partial x_i} dx = - \int_{\Omega} \phi d\lambda_i,$$

holds for all $\phi \in C_c^\infty(\Omega)$.

Definition 1.2. $W^{s,p}(\mathbb{R}^d) = \left\{ u \in L^p(\mathbb{R}^d) \text{ such that } |u|_{W^{s,p}(\mathbb{R}^d)} < \infty \right\}$ for $0 < s < 1$, $1 \leq p < \infty$ where $|u|_{W^{s,p}(\mathbb{R}^d)} = \int_{\mathbb{R}^d} \int_{\mathbb{R}^d} \frac{|u(x) - u(y)|^p}{|x - y|^{d+sp}} dx dy$.

Definition 1.3. $B^{s,p,\theta}(\mathbb{R}^d) = \left\{ u \in L^p(\mathbb{R}^d) \text{ such that } |u|_{B^{s,p,\theta}(\mathbb{R}^d)} < \infty \right\}$ for $0 < s < 1$, $1 \leq p < \infty$, $0 < \theta < \infty$, where $|u|_{B^{s,p,\theta}(\mathbb{R}^d)} = \sum_{i=1}^d \left(\int_0^\infty \|\Delta_i^h\|_{L^p(\mathbb{R}^d)}^\theta \frac{dh}{h^{1+s\theta}} \right)$, and $\Delta_i^h u(x, t) = u(x + he_i, t) - u(x, t)$ for $i = 1, 2, \dots, d$.

The following imbeddings are well known [40, 55]

$$B^{s,p,\theta_1}(\mathbb{R}^d) \subset B^{s,p,\theta_2}(\mathbb{R}^d) \text{ for } 1 \leq \theta_1 < \theta_2 < \infty, \quad (1.3)$$

$$BV(\mathbb{R}^d) \subset B^{s,1,\theta}(\mathbb{R}^d) \text{ for any } 1 \leq \theta < \infty, \quad (1.4)$$

$$W^{s,p}(\mathbb{R}^d) = B^{s,p,p}(\mathbb{R}^d) \text{ for } 1 \leq p < \infty. \quad (1.5)$$

From (1.4) and (1.5), it is clear that if the entropy solution $u(\cdot, t) \notin B^{s,p,\theta}$, for appropriate p and θ , then $u(\cdot, t)$ is neither in $W^{s,p}$ nor in BV . Throughout the paper we assume that $u_0 \in L^\infty(\mathbb{R}^d) \cap L^1(\mathbb{R}^d)$, i.e. for some $R_0 > 0$, $\|u_0\|_{L^\infty} < R_0$ and the flux $f = (f_1, f_2, \dots, f_d)$, where $f_i : \mathbb{R} \rightarrow \mathbb{R}$ are C^1 functions. Now we state the following nondegeneracy conditions on the flux [41].

1. Nondegenerate condition on flux:

$$\begin{aligned} & \text{meas}\{|v| < R_0, |\tau + f'(v) \cdot \xi| = 0\} = 0, \\ & \text{for all } (\tau, \xi) \in \mathbb{R} \times \mathbb{R}^d \text{ with } \tau^2 + |\xi|^2 = 1. \end{aligned} \quad (1.6)$$

2. Nondegenerate condition on flux of α order:

$$\begin{aligned} \exists \alpha \in (0, 1], \exists C \geq 0, \text{meas}\{|v| < R_0, |\tau + f'(v) \cdot \xi| < \delta\} < C\delta^\alpha, \\ \text{for } \delta \in (0, 1), (\tau, \xi) \in \mathbb{R} \times \mathbb{R}^d \text{ with } \tau^2 + |\xi|^2 = 1. \end{aligned} \quad (1.7)$$

Lions-Perthame-Tadmor [41] introduced the mathematical notion of kinetic formulation for scalar conservation laws in several space dimension and also obtained the regularizing effect in $W^{s,p}$ by using the averaging lemma [21, 43]. They conjectured that the entropy solution $u(\cdot, t) \in W^{s,1}$ for all $s < \alpha$, where α is determined by the non degenerate flux condition (1.7). For a detailed study on kinetic formulation and its applications, we give an incomplete list of references [33, 42, 44, 47, 49].

In one space dimension, due to the Lax-Oleinik formula, one can see that for an uniformly convex flux the solution is locally bounded variation even when the initial data $u_0 \in L^\infty$ and explicitly $BV_{loc}(u(\cdot, t)) \leq \frac{C}{t}$, for some constant $C > 0$. On the other hand, for C^1 strictly (non uniform) convex flux, by using the backward construction [3], a constructive counter example for BV blow up for all time $t > 0$ has been obtained in [2]. For the one dimensional scalar conservation laws the regularity problem has been extensively studied in [2, 8, 9, 13, 15, 16, 17, 18, 29, 30, 32, 34, 41, 45, 53] and see Remark 1.5 for general flux. In dimension one, De Lellis and Westdickenberg [18] has given an example to conclude the sharpness of Lions-Perthame-Tadmor conjecture [41]. Later Golse and Perthame [30] proved the optimal regularity of $u(\cdot, t) \in B_{\infty,loc}^{1/3,3}(\mathbb{R})$.

On the other hand, for multi-dimensional scalar conservation laws the actual conjecture is still open. In [41], they proved $u(\cdot, t) \in W^{s,1}$ for all $s < \frac{\alpha}{\alpha+2}$. Subsequently it was improved by Jabin and Perthame [32] to $W^{s,r}$ for $s < 1/3$, $r < 3/2$, when $\alpha = 1$ in (1.7). In a more general setting, Tadmor and Tao [53] proved a new velocity-averaging lemma and raised the regularity of the Sobolev exponent up to $\frac{\alpha}{2\alpha+1}$. Also see [24] for recent improvement on the regularity for entropy solutions to (forced) scalar conservation laws. Also Jabin [34] proved $u \in W^{s,1}(\mathbb{R}^d)$ for all $s < \alpha$, if

$$\|t \nabla_x \cdot (f'(u(\cdot, t)))\|_{M_{loc}^1(\mathbb{R}^d)} \leq C(\|u_0\|_{L^\infty} + \|u_0\|_{L^1}) \quad (1.8)$$

holds along with (1.7). The study of regularizing effects and characterizing of non-linear flux in several space dimension by different approaches can be found in [14, 15, 22, 28, 36, 48, 52, 54].

We prove that uniform convexity and the nondegeneracy conditions (1.7), (1.6) are not good enough to capture BV regularity of the entropy solution. More importantly we offer an answer to the open question (posed in [32, Page 6]) whether $u_0 \in L^\infty$ induces $u(\cdot, t) \in BV$ regularity in multi-dimension in a general setting. Here we propose an explicit generic counter example for general non linear flux in multi-dimension to show that $u(\cdot, t) \notin B_{loc}^{s,\theta,p}$, for all $s > \alpha$, $\infty > \theta > 0$, $p \geq 1$, where α as in (1.7), which concludes $u(\cdot, t) \notin BV_{loc}$.

To elaborate this context, we answer the following questions:

1. Is it possible to construct an entropy solution of (1.1) in multi-dimension such that $\|u\|_{W_{loc}^{\alpha+\epsilon,p}}(\cdot, t) = \infty$, for some $t > 0$? Where α is determined as in (1.7), which proves the sharpness of the conjecture in higher dimension.

2. Is it possible to construct an entropy solution for uniformly convex flux satisfying condition (1.6) in multi-dimension such that $\|u\|_{BV_{loc}}(\cdot, t) = \infty$, for some $t > 0$?
3. Is it possible to give a generic construction such that the counter example is true for general flux and for all time $t > 0$?

In Proposition 1.1, we have proved that $\exists u_0 \in L^\infty$ such that $|u(\cdot, t)|_{B^{\alpha+\epsilon, p, \theta}} = \infty$, in particular $|u(\cdot, t)|_{W^{\alpha+\epsilon, p}} = \infty$, for all $t > 0$, for suitable θ , with the fluxes like power laws. In Proposition 1.2, we construct a solution of (1.1) for uniformly convex fluxes $f, g, f \neq g$ in the sense of (1.6), $u_0 \in L^\infty$ such a way that $|u(\cdot, t)|_{B^{\alpha+\epsilon, 1, \theta}} = \infty$, in particular, $BV_{loc}(u(\cdot, t)) = \infty$, for all $t > 0$ and for suitable θ . It is evident from the proof of Proposition 1.1 and Proposition 1.2 that blow up result can be elaborately extended to any flux f (see Remark 1.2, Remark 1.3). Also see Remark 1.5 for general flux in one dimension situation.

In section 2, we have proved the following main results:

Proposition 1.1. *Let $d > 1$. For a certain choice of flux function f satisfying the non-degeneracy condition (1.6) there exists an initial data $u_0 \in L^\infty(\mathbb{R}^d) \cap L^1(\mathbb{R}^d)$ such that the entropy solution $u(\cdot, t)$ of (1.1) is not in $B_{loc}^{s, p, \theta}(\mathbb{R}^d)$ for all $t > 0$ and for any $s > \alpha, \theta > 0, p \geq 1$, where α is determined as in (1.7). Hence for all $t > 0, u(\cdot, t) \notin BV_{loc}$ (from (1.4)).*

Proposition 1.2. *For a certain choice of uniformly convex fluxes f, g satisfying the non-degeneracy condition (1.6) there exists an initial data $u_0 \in L^\infty(\mathbb{R}^2) \cap L^1(\mathbb{R}^2)$ such that the entropy solution $u(\cdot, t)$ is not in $B_{loc}^{s, p, \theta}(\mathbb{R}^2)$ for all $t > 0$ and for any $s > \alpha, \theta > 0, p \geq 1$, where the α is determined as in (1.7). Hence for all $t > 0, u(\cdot, t) \notin BV_{loc}$ (from (1.4)).*

Remark 1.1. *If the nondegeneracy condition (1.7) holds in an interval I , for some α , then it is easy to see that there exists $\xi \in \mathbb{R}^d$ such that $\frac{|\xi \cdot (f'(v) - f'(w))|}{|v - w|^{\frac{1}{\alpha}}}$ is bounded for $v, w \in I$, then we say that “ α is attained in ξ direction”.*

Remark 1.2. *Let $d > 1$. Let f satisfies nondegenerate condition on flux of order α (1.7) and α is attained in (a_1, \dots, a_d) direction (as in Remark 1.1). Let $M : \mathbb{R}^d \rightarrow \mathbb{R}$ be a linear function defined as*

$$M(x_1, \dots, x_d) = a_1 x_1 + \dots + a_d x_d \text{ where } a_i, x_i \in \mathbb{R} \text{ for } i = 1, \dots, d.$$

Furthermore assume that $u \mapsto M(f(u))$ is a real strictly convex function in a neighbourhood where (1.7) holds (in particular, an interval I as in Remark 1.1). Then there exists an initial data $u_0 \in L^\infty(\mathbb{R}^d) \cap L^1(\mathbb{R}^d)$ such that the entropy solution $u(\cdot, t)$ of (1.1) is not in $B_{loc}^{s, p, \theta}(\mathbb{R}^d)$ for all $t > 0$ and for any $s > \alpha, \theta > 0, p \geq 1$. Hence for all $t > 0, u(\cdot, t) \notin BV_{loc}$ (from (1.4)).

Remark 1.3. *Let $d > 1$. In Remark 1.2, the convexity assumption of the map $u \mapsto M(f(u))$ is required only in one neighbourhood. Also the result holds if we assume the strict concavity assumption of the map $u \mapsto M(f(u))$ instead of the convexity. Hence we conclude that Remark 1.2 holds for any C^2 general flux.*

Remark 1.4. Let $d > 1$. Similar results are also true for degenerate fluxes (in the sense that if the flux does not satisfy the condition (1.6)). For example, if we take (say in two dimension) $f = \frac{u^2}{2}, g = u$ then for the initial data which are constant in the first x_1 variable, will allow us to construct the solution such that the desired $B^{s,p,\theta}$ semi norm blows up.

Remark 1.5. In one dimension, if f satisfies (1.7) with $\alpha < 1$, then similar construction of $u_0 \in L^\infty(\mathbb{R})$ will give us $B_{loc}^{s,p,\theta}$ blow up for all $t > 0$, for $s > \alpha$, $\theta > 0$, $p \geq 1$.

2 Proof of the main result

In order to prove our main result we need the following two elementary lemmas and for the sake of completeness we give the proof in the Appendix. Also we have used some of the ideas as in [1, 25, 26].

Lemma 2.1. Let $f : \mathbb{R}^d \rightarrow \mathbb{R}$ be a C^1 function. Assume $M : \mathbb{R}^d \rightarrow \mathbb{R}$ is a linear function defined as

$$M(x_1, \dots, x_d) = a_1 x_1 + \dots + a_d x_d \text{ where } a_i \in \mathbb{R} \text{ for } i = 1, \dots, d.$$

Define $A_r \subset \mathbb{R}^d$ as $A_r = \{(x_1, \dots, x_d) \in \mathbb{R}^d \mid -r < x_i < r \text{ for } i = 1, \dots, d\}$ for any $r > 0$. Consider

$$u_0(x) = \begin{cases} a & \text{if } x \in \{M(x) < 0\} \cap A_r, \\ b & \text{if } x \in \{M(x) > 0\} \cap A_r, \\ 0 & \text{if } x \in A_r^c, \end{cases} \quad (2.9)$$

where $x = (x_1, \dots, x_d) \in \mathbb{R}^d$ and A_r^c denotes the complement of A_r in \mathbb{R}^d . Let $u(x, t)$ be the entropy solution of (1.1) with initial data (2.9) with the flux f having the following properties: $u \mapsto M(f(u))$ is a real strictly convex function and $f'(0) = \mathbf{0}$. Then for any $0 < r_1 < r$ there exists $t_0 > 0$ and $r_2 > r$ such that the followings hold for all $t \in (0, t_0)$ (see figure 1)

(i) when $a > b$,

$$u(x, t) = \begin{cases} a & \text{if } x \in \{M(x - \gamma t) < 0\} \cap A_{r_1}, \\ b & \text{if } x \in \{M(x - \gamma t) > 0\} \cap A_{r_1}, \\ 0 & \text{if } x \in A_{r_2}^c, \end{cases} \quad (2.10)$$

where $\gamma = \frac{1}{a-b}(f(a) - f(b)) \in \mathbb{R}^d$.

(ii) when $a < b$,

$$u(x, t) = \begin{cases} a & \text{if } x \in \{M(x - f'(a)t) < 0\} \cap A_{r_1}, \\ b & \text{if } x \in \{M(x - f'(b)t) > 0\} \cap A_{r_1}, \\ 0 & \text{if } x \in A_{r_2}^c. \end{cases} \quad (2.11)$$

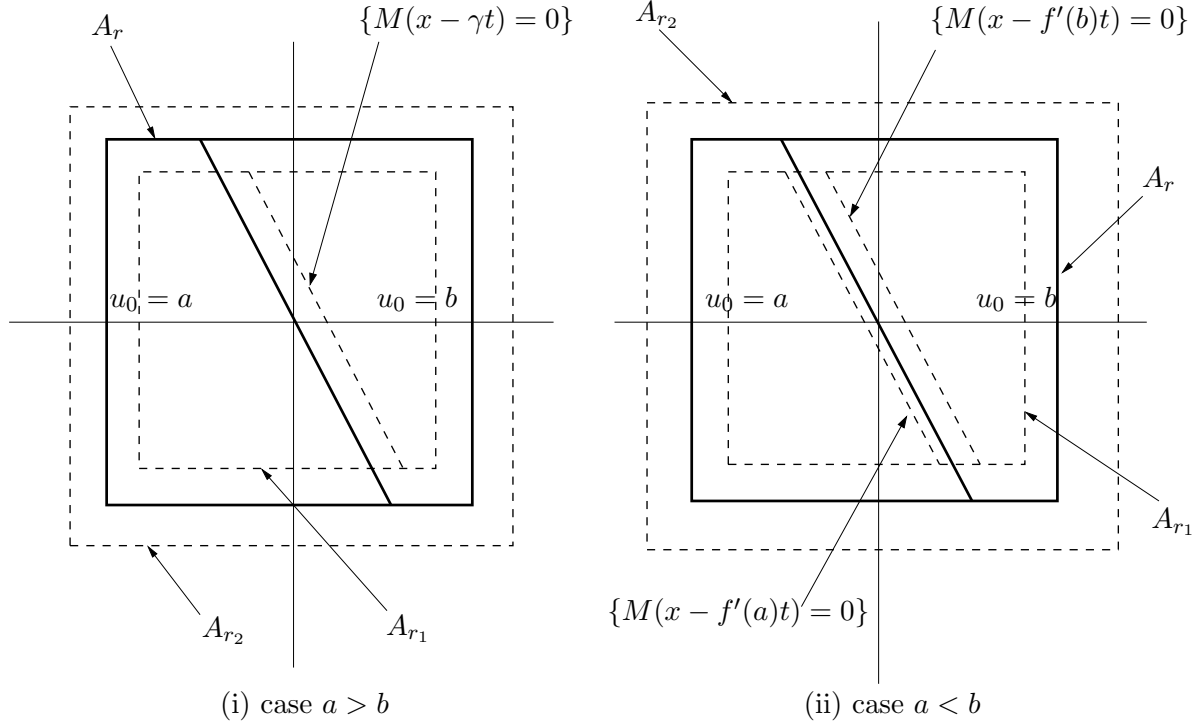


Figure 1: Illustration for the solutions of (1.1) with initial data (2.9) for both the cases and dotted lines represent the structure of $u(x, t)$ at time $t < t_0$.

Lemma 2.2. Let $x \geq 1$ be a real number and $0 < \beta < 1$ then following inequalities hold

$$\begin{aligned} (x+1)^\beta &> x^\beta + \frac{\beta}{x^{1-\beta}} - \frac{\beta(1-\beta)}{x^{2-\beta}}, \\ (x+1)^{1+\beta} &> x^{1+\beta} + (1+\beta)x^\beta. \end{aligned}$$

Proof of Proposition 1.1. Assume the flux $f = (f_1, f_2, \dots, f_d)$ satisfies

$$f_k(u) = \frac{|u|^{\zeta+d+2-k}}{\zeta+d+2-k} \text{ for } k = 1, 2, \dots, d, \text{ i.e. } f'_k(u) = u^{\zeta+d+1-k} \text{ for } k = 1, 2, \dots, d,$$

here $\zeta \geq 1$ and $d \geq 1$. Let $a \in \mathbb{R}$, then define ‘box function’ $[a]$ to be the greatest integer $\leq a$.

Step 1. First we will consider an initial data with compact support which will give us $B^{s,p,\theta}$ blow up in finite time.

Now choose $\tau = \frac{1}{\zeta+d} + \epsilon$ and two real number sequences $(l_m)_{m \geq 2}$ and $(\sigma_m)_{m \geq 2}$ such

that

$$l_m = \frac{1}{n^{(\zeta+d)\tau}} \text{ if } n = \left\lfloor \frac{m}{2} \right\rfloor,$$

$$\sigma_m = \sigma_m(R) = \begin{cases} \frac{2}{Rn^\tau} & \text{for } m = 2n, \\ \frac{1}{Rn^\tau} & \text{for } m = 2n + 1, \end{cases}$$

for $R > 0$, where this $\epsilon (> 0)$ will be chosen later and $[\cdot]$ is the box function. Define $w_m = \sum_{k=N}^m l_k$ for $m \geq N$ and $X_1 = \sum_{k=N}^{\infty} l_k$. This N will be chosen later.

Consider

$$u_0(x) = \begin{cases} 0 & \text{if } x_1 < w_N, \\ \sigma_m & \text{if } x \in A_R \text{ with } w_m < x_1 < w_{m+1} \text{ for } m \geq N, \\ \frac{1}{R^{d+4}} & \text{if } x_1 \in A_R \text{ with } x_1 > X_1, \\ 0 & \text{if } x \in A_R^c, \end{cases} \quad (2.12)$$

with large enough $R > 0$ and $x = (x_1, x_2, \dots, x_d) \in \mathbb{R}^d$ and A_R is as defined in lemma 2.1. Clearly $u_0 \in L^\infty(\mathbb{R}^d)$ and since it has compact support in \mathbb{R}^d , we get $u_0 \in L^1(\mathbb{R}^d)$. Now we will use the lemma 2.1 to get the structure of the entropy solution of (1.1) with initial data u_0 as in (2.12).

Define $\tilde{M}_m : \mathbb{R}^d \rightarrow \mathbb{R}$ as $\tilde{M}_m(x) = X_1 - w_m$ for $m \geq N$. Since for $n \geq N$, $\sigma_{2n} > \sigma_{2n+1}$ by lemma 2.1 we get that the solution $u(x, t)$ has discontinuity along the plane $\tilde{S}_n = \left\{ \tilde{M}_{2n+1}(x - \rho_n t) = 0 \right\}$. Where $\rho_n = (\rho_{n1}, \rho_{n2}, \dots, \rho_{nd})$ and

$$\rho_{nk} = \frac{\frac{1}{R^{\zeta+d+2-k}} \left(\frac{1}{\zeta+d+2-k} \frac{2^{\zeta+d+2-k}}{n^{(\zeta+d+2-k)\tau}} - \frac{1}{\zeta+d+2-k} \frac{1}{n^{(\zeta+d+2-k)\tau}} \right)}{\frac{1}{R} \left(\frac{2}{n^\tau} - \frac{1}{n^\tau} \right)} \quad \text{for } k = 1, 2, \dots, d,$$

$$= \frac{2^{\zeta+d+2-k} - 1}{(\zeta + d + 2 - k)R^{\zeta+d+1-k}} \frac{1}{n^{(\zeta+d+1-k)\tau}}.$$

By lemma 2.1, for $0 < r < R$ characteristic planes emitting from the sets $\{x_1 = w_{2n}\} \cap A_r$ and $\{x_1 = w_{2n+2}\} \cap A_r$ are $\tilde{P}_{2n} = \left\{ \tilde{M}_{2n}(x - f'(\sigma_{2n})t) = 0 \right\}$ and $\tilde{P}_{2n+2} = \left\{ \tilde{M}_{2n+2}(x - f'(\sigma_{2n+1})t) = 0 \right\}$, respectively. Suppose \tilde{P}_{2n} and \tilde{P}_{2n+2} meet \tilde{S}_n at time t_n and \tilde{t}_n , respectively. As a consequence the points $x \in \tilde{S}_n \cap \tilde{P}_{2n}$ and $\tilde{x} \in \tilde{S}_n \cap \tilde{P}_{2n+2}$ will satisfy

$$x_1 - \rho_{n1}t_n - w_{2n+1} = x_1 - f'_1(\sigma_{2n})t_n - w_{2n}, \quad (2.13)$$

$$\tilde{x}_1 - \rho_{n1}\tilde{t}_n - w_{2n+1} = \tilde{x}_1 - f'_1(\sigma_{2n+1})\tilde{t}_n - w_{2n+2}, \quad (2.14)$$

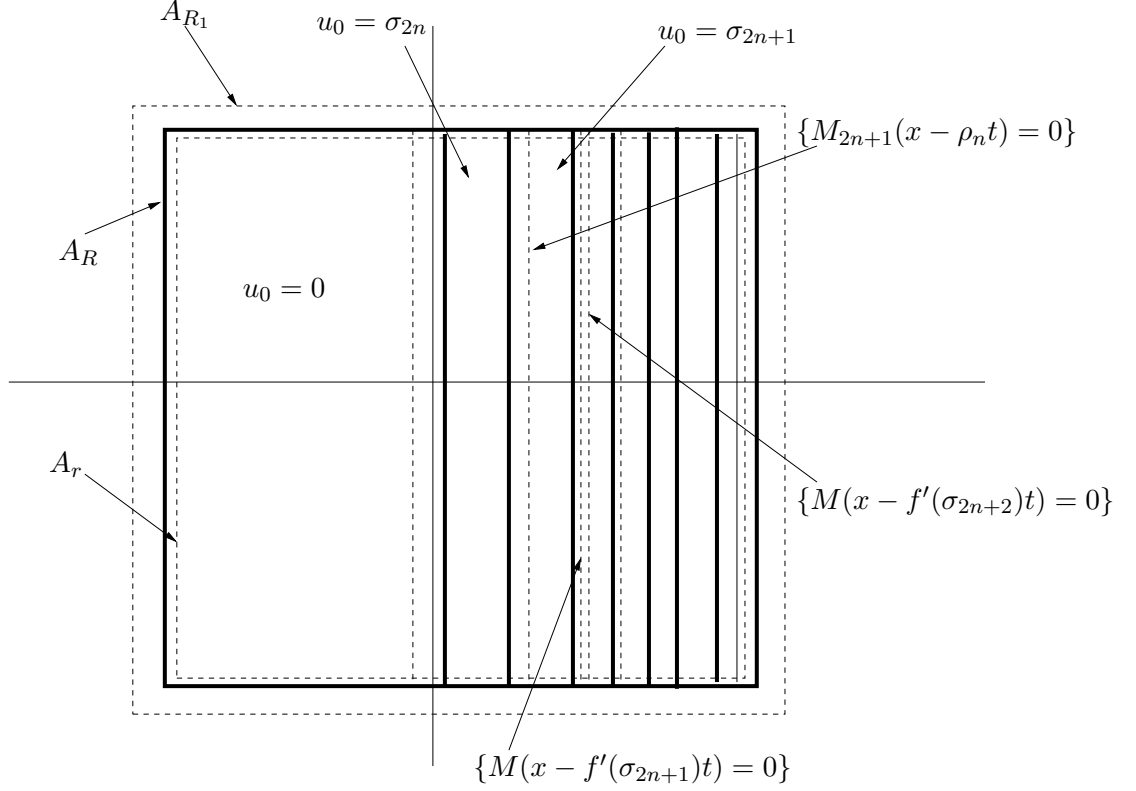


Figure 2: Illustration for the solution of (1.1) with the initial data (2.12) and the dotted lines represent the structure of the solution $u(x, t)$ at time $t < t_0$.

respectively. From equation (2.13), we get

$$\begin{aligned}
 & -\frac{2^{\zeta+d+1} - 1}{(\zeta + d + 1)R^{\zeta+d}} \frac{1}{n^{(\zeta+d)\tau}} t_n - w_{2n+1} = -\sigma_{2n}^{\zeta+d} t_n - w_{2n} \\
 \text{i.e. } & \frac{1}{R^{\zeta+d}} \left(-\frac{2^{\zeta+d+1} - 1}{(\zeta + d + 1)n^{(\zeta+d)\tau}} + \frac{2^{\zeta+d}}{n^{(\zeta+d)\tau}} \right) t_n = w_{2n+1} - w_{2n} \\
 & \text{i.e. } \frac{1}{R^{\zeta+d}} \frac{(2^{\zeta+d}(\zeta + d - 1) + 1)t_n}{(\zeta + d + 1)n^{(\zeta+d)\tau}} = \frac{1}{n^{(\zeta+d)\tau}} \\
 & \text{i.e. } t_n = \frac{R^{\zeta+d}(\zeta + d + 1)}{2^{\zeta+d}(\zeta + d - 1) + 1}.
 \end{aligned}$$

Also from equation (2.14), we get

$$\begin{aligned}
-\frac{2^{\zeta+d+1}-1}{(\zeta+d+1)R^{\zeta+d}}\frac{1}{n^{(\zeta+d)\tau}}\tilde{t}_n-w_{2n+1} &= -\sigma_{2n+1}^{\zeta+d}\tilde{t}_n-w_{2n+2} \\
\text{i.e. } \frac{1}{R^{\zeta+d}}\left(\frac{1}{n^{(\zeta+d)\tau}}-\frac{2^{\zeta+d+1}-1}{(\zeta+d+1)n^{(\zeta+d)\tau}}\right)\tilde{t}_n &= w_{2n+1}-w_{2n+2} \\
\text{i.e. } -\frac{1}{R^{\zeta+d}}\left(\frac{2^{\zeta+d+1}-(\zeta+d+2)}{\zeta+d+1}\right)\frac{\tilde{t}_n}{n^{(\zeta+d)\tau}} &= -\frac{1}{n^{(\zeta+d)\tau}} \\
\text{i.e. } \tilde{t}_n &= \frac{R^{\zeta+d}(\zeta+d+1)}{2^{\zeta+d+1}-(\zeta+d+2)}.
\end{aligned}$$

Choose $N \in \mathbb{N}$ large enough so that $(1 + \frac{1}{n})^\tau < 2$ and $\frac{1}{n} < \frac{1}{R^{d+4}}$ hold for $n \geq N$. Now by lemma 2.1, for $0 < r < R$ we get a $t'_1 > 0$. Let $t_0 = \min \left\{ t'_1, \frac{R^{\zeta+d}(\zeta+d+1)}{2^{\zeta+d+1}-(\zeta+d+2)}, \frac{R^{\zeta+d}(\zeta+d+1)}{2^{\zeta+d}(\zeta+d-1)+1} \right\}$. Now for $t \in (0, t_0)$, we have the following structure of the entropy solution (see figure 2)

$$u(x, t) = \begin{cases} \frac{2}{Rn^\tau} & \text{if } x \in \left\{ w_{2n} + \frac{2^{\zeta+d}}{n^{(\zeta+d)\tau}} \frac{t}{R^{\zeta+d}} < x_1 < w_{2n+1} + \frac{2^{\zeta+d+1}-1}{(\zeta+d+1)n^{(\zeta+d)\tau}} \frac{t}{R^{\zeta+d}} \right\} \cap A_r, \\ \frac{1}{Rn^\tau} & \text{if } x \in \left\{ w_{2n+1} + \frac{2^{\zeta+d+1}-1}{(\zeta+d+1)n^{(\zeta+d)\tau}} \frac{t}{R^{\zeta+d}} < x_1 < w_{2n+2} + \frac{1}{n^{(\zeta+d)\tau}} \frac{t}{R^{\zeta+d}} \right\} \cap A_r, \\ 0 & \text{if } x \in A_{R_1}^c, \end{cases} \quad (2.15)$$

where $R_1 > R$ is large enough and $x = (x_1, x_2, \dots, x_d) \in \mathbb{R}^d$.

Now we are interested to check the following semi-norm of $u(x, t)$

$$|u|_{B^{s,p,\theta}(\mathbb{R}^d)} = \sum_{i=1}^d \left(\int_0^\infty \|\Delta_i^h\|_{L^p(\mathbb{R}^d)}^\theta \frac{dh}{h^{1+s\theta}} \right),$$

where $\Delta_i^h u(x, t) = u(x + he_i, t) - u(x, t)$ for $i = 1, 2, \dots, d$.

Note that from (2.15), we can say

$$\Delta_1^h u(x, t) = \frac{1}{Rn^\tau} \text{ if } x \in \left\{ w_{2n} + \frac{2^{\zeta+d}}{n^{(\zeta+d)\tau}} \frac{t}{R^{\zeta+d}} < x_1 < w_{2n+1} + \frac{2^{\zeta+d+1}-1}{(\zeta+d+1)n^{(\zeta+d)\tau}} \frac{t}{R^{\zeta+d}} \right\} \cap A_r,$$

for $n \leq \left(\frac{1}{h} \left(1 - \frac{2^{\zeta+d}(\zeta+d-1)+1}{\zeta+d+1} \frac{t}{R^{\zeta+d}} \right) \right)^{\frac{1}{(\zeta+d)\tau}}$, hence

$$\begin{aligned}
\|\Delta_1^h u(\cdot, t)\|_{L^p(\mathbb{R}^d)}^p &= \int_{\mathbb{R}^d} |u(x + he_1, t) - u(x, t)|^p dx_1 dx_2 \cdots dx_d \\
&\geq \sum_{n=N-r}^{M(h)} \int_{-r}^r \cdots \int_{-r}^r \int_{w_{2n} + \frac{2^{\zeta+d}}{n^{(\zeta+d)\tau}} \frac{t}{R^{\zeta+d}}}^{w_{2n+1} + \frac{2^{\zeta+d+1}-1}{(\zeta+d+1)n^{(\zeta+d)\tau}} \frac{t}{R^{\zeta+d}}} \frac{1}{n^{\tau p}} dx_1 dx_2 \cdots dx_d \\
&= (2r)^{d-1} (M(h) - N) \left(1 - \frac{2^{\zeta+d}(\zeta+d-1)+1}{\zeta+d+1} \frac{t}{R^{\zeta+d}} \right) \frac{1}{n^{\tau(p+\zeta+d)}}
\end{aligned}$$

where $M(h) = \left[\left(\frac{1}{h} \left(1 - \frac{2^{\zeta+d}(\zeta+d-1)+1}{\zeta+d+1} \frac{t}{R^{\zeta+d}} \right) \right)^{\frac{1}{(\zeta+d)\tau}} \right]$. Here $[\cdot]$ is the box function.

First we will do the analysis for the case $s > \frac{1}{\zeta+d}, \theta > 0$ satisfying $(s - \frac{1}{\zeta+d})\theta < 1$ with $s\theta < 1$. Then there exists small enough ϵ such that $0 < s\theta(1 + (\zeta + d)\epsilon) < 1$ holds. Let's consider the sequence $c_n = \frac{1}{n^{(\zeta+d)\tau}} \left(1 - \frac{2^{\zeta+d}(\zeta+d-1)+1}{\zeta+d+1} \frac{t}{R^{\zeta+d}}\right)$. Then for $h \leq c_n$ we get $M(h) \geq n$. Hence for $n \geq N_1$ we get $\|\Delta_1^h u(\cdot, t)\|_{L^p(\mathbb{R}^d)} \geq C \frac{n^{\frac{1}{p}}}{n^{\tau(1+\frac{\zeta+d}{p})}}$. This implies

$$\begin{aligned}
|u|_{B^{s,p,\theta}(\mathbb{R}^d)}^\theta &\geq C \sum_{n \geq N_1} \frac{n^{\frac{\theta}{p}}}{n^{\theta\tau(1+\frac{\zeta+d}{p})}} \int_{c_{n+1}}^{c_n} \frac{1}{h^{1+s\theta}} dh \\
&\geq C \sum_{n \geq N_1} \frac{n^{\frac{\theta}{p}}}{n^{\theta\tau(1+\frac{\zeta+d}{p})}} \left((n+1)^{(\zeta+d)\tau s\theta} - n^{(\zeta+d)\tau s\theta} \right) \\
&\geq C \sum_{n \geq N_1} \frac{n^{\frac{\theta}{p}}}{n^{\theta\tau(1+\frac{\zeta+d}{p})}} \left(\frac{1}{n^{1-(\zeta+d)s\tau\theta}} - \frac{1 - (\zeta + ds)\tau\theta}{n^{2-(\zeta+d)s\tau\theta}} \right) \\
&\geq C \sum_{n \geq N_1} \frac{1}{n^{1-\frac{\theta}{p}-(\zeta+d)s\tau\theta+\tau\theta+\frac{(\zeta+d)\tau\theta}{p}}} - \frac{1}{n^{2-\frac{\theta}{p}-(\zeta+d)s\tau\theta+\tau\theta+\frac{(\zeta+d)\tau\theta}{p}}}.
\end{aligned}$$

Here we used lemma 2.2. Since $\tau(\zeta + d) = 1 + (\zeta + d)\epsilon$ we get

$$\frac{\theta}{p} + (\zeta + d)s\tau\theta - \tau\theta - \frac{(\zeta + d)\tau\theta}{p} = \left(s - \frac{1}{\zeta + d}\right)\theta(1 + (\zeta + d)\epsilon) - \frac{\zeta + d}{p}\epsilon.$$

By our hypothesis $s \in (\frac{1}{\zeta+d}, 1)$ and $\theta > 0$ holds. Then we can choose $\epsilon > 0$ small enough so that $\frac{\theta}{p} + (\zeta + d)s\tau\theta - \tau\theta - \frac{(\zeta+d)\tau\theta}{p} \in (0, 1)$. This implies

$$\sum_{n \geq N_1} \frac{1}{n^{2-\frac{\theta}{p}-(\zeta+d)s\tau\theta+\tau\theta+\frac{(\zeta+d)\tau\theta}{p}}} < \infty \quad \text{and} \quad \sum_{n \geq N_1} \frac{1}{n^{1-\frac{\theta}{p}-(\zeta+d)s\tau\theta+\tau\theta+\frac{(\zeta+d)\tau\theta}{p}}} = \infty.$$

Hence we get $|u|_{B^{s,p,\theta}(\mathbb{R}^d)} = \infty$. For large θ , similar calculation holds and to handle this case we have to use second inequality of lemma 2.2. We know that $B^{s_1,p,\theta}(\mathbb{R}^d) \subset B^{s_2,p,\theta}(\mathbb{R}^d)$ and $B^{s,\theta_1,p}(\mathbb{R}^d) \subset B^{s,\theta_2,p}(\mathbb{R}^d)$ for $s_1 > s_2$ and $\theta_2 > \theta_1$. This completes the proof of step 1.

Step 2. Note that in step 1, we get for any $0 < r < R$ there exists a $t_0 > 0$ depending on R, r and $\|u_0\|_{L^\infty}$. Also observe that t_0 is increasing in R . Since t'_1 is increasing in r , so is t_0 .

Define $w_m^1 = Y_1 + \sum_{k=N_1}^m l_k$ for $m \geq N_1$ and $X_2 = Y_1 + \sum_{k=N_1}^\infty l_k$ and $A_2 = Y_1 e_1 + A_{R_2}$ where $Y_1 > 0, R_2 > R_1 > 0, N_1 > 0$ are large numbers which will be chosen later. Denote

$A_1 = A_{R_1}$. Now consider the following data

$$u_0(x) = \begin{cases} 0 & \text{if } x \in A_1 \cap \{x_1 < w_N\}, \\ \sigma_m(R_1) & \text{if } x \in A_1 \cap \{w_m < x_1 < w_{m+1}\}, \\ \frac{1}{R_1^{d+4}} & \text{if } x \in A_{R_1} \cap \{x_1 > X_1\}, \\ 0 & \text{if } x \in A_2 \cap \{x_1 < w_{N_1}^1\}, \\ \sigma_m(R_2) & \text{if } x \in A_2 \cap \{w_m^1 < x_1 < w_{m+1}^1\}, \\ \frac{1}{R_2^{d+4}} & \text{if } x \in A_2 \cap \{x_1 > X_2\}, \\ 0 & \text{if } x \in (A_1 \cup A_2)^c \end{cases} \quad (2.16)$$

where $R_2 > R_1 > 0$. Let t_0^1, t_0^2 are the times we get if we consider the initial data like in step 1 for $R = R_1$ and $R = R_2$ respectively. By our previous observation $t_0^2 > t_0^1$. Due to finite speed of propagation we can choose Y_1 large enough so that for the initial data (2.16) the characteristics from A_1 and characteristics from A_2 will not intersect for any $t \in (0, t_0^2)$. Hence we get the following structure of the solution

$$u(x, t) = \begin{cases} \frac{2}{R_1 n^\tau} & \text{if } x \in \left\{ w_{2n} + \frac{2^{\zeta+d}}{n^{(\zeta+d)\tau}} \frac{t}{R_1^{\zeta+d}} < x_1 < w_{2n+1} + \frac{2^{\zeta+d+1-1}}{(\zeta+d+1)n^{(\zeta+d)\tau}} \frac{t}{R_1^{\zeta+d}} \right\} \cap A_{r_1}, \\ \frac{1}{R_1 n^\tau} & \text{if } x \in \left\{ w_{2n+1} + \frac{2^{\zeta+d+1-1}}{(\zeta+d+1)n^{(\zeta+d)\tau}} \frac{t}{R_1^{\zeta+d}} < x_1 < w_{2n+2} + \frac{1}{n^{(\zeta+d)\tau}} \frac{t}{R_1^{\zeta+d}} \right\} \cap A_{r_1}, \\ \frac{2}{R_2 n^\tau} & \text{if } x \in \left\{ w_{2n}^1 + \frac{2^{\zeta+d}}{n^{(\zeta+d)\tau}} \frac{t}{R_2^{\zeta+d}} < x_1 < w_{2n+1} + \frac{2^{\zeta+d+1-1}}{(\zeta+d+1)n^{(\zeta+d)\tau}} \frac{t}{R_2^{\zeta+d}} \right\} \cap \tilde{A}_2, \\ \frac{1}{R_2 n^\tau} & \text{if } x \in \left\{ w_{2n+1}^1 + \frac{2^{\zeta+d+1-1}}{(\zeta+d+1)n^{(\zeta+d)\tau}} \frac{t}{R_2^{\zeta+d}} < x_1 < w_{2n+2} + \frac{1}{n^{(\zeta+d)\tau}} \frac{t}{R_2^{\zeta+d}} \right\} \cap \tilde{A}_2, \\ 0 & \text{if } x \in \left(A_{\tilde{R}_1} \cap (Y_1 e_1 + A_{\tilde{R}_2}) \right)^c, \end{cases}$$

where $0 < r_1 < R_1 < \tilde{R}_1, 0 < r_2 < R_2 < \tilde{R}_2, \tilde{A}_2 = Y_1 e_1 + A_{r_2}$. Now we can choose R_1, R_2 large enough with $R_2 > R_1$ and corresponding r_1, r_2 such that $t_0^2 > t_0^1 + 1$ holds.

Now by similar calculation as in step 1 we can show the $B^{s,p,\theta}$ blow up in any time $t \in (0, t_0^2)$.

Step 3. Now with the help of step 1 and step 2 we will construct an initial data u_0 in $L^\infty(\mathbb{R}^d) \cap L^1(\mathbb{R}^d)$ for which the corresponding entropy solution will give $B_{loc}^{s,p,\theta}$ blow up for all time.

For that purpose let's define for each $k \in \mathbb{N}$, $w_m^k = Y_k + \sum_{j=N_k}^m l_j$ for $m \geq N_k$, $Y_0 = 0$ and $X_{k+1} = Y_k + \sum_{j=N_k}^\infty l_j$ and $A_{k+1} = Y_k e_1 + A_{R_{k+1}}$ where $R_k > X_k$ and $Y_k > X_k + R_k$ will be chosen later.

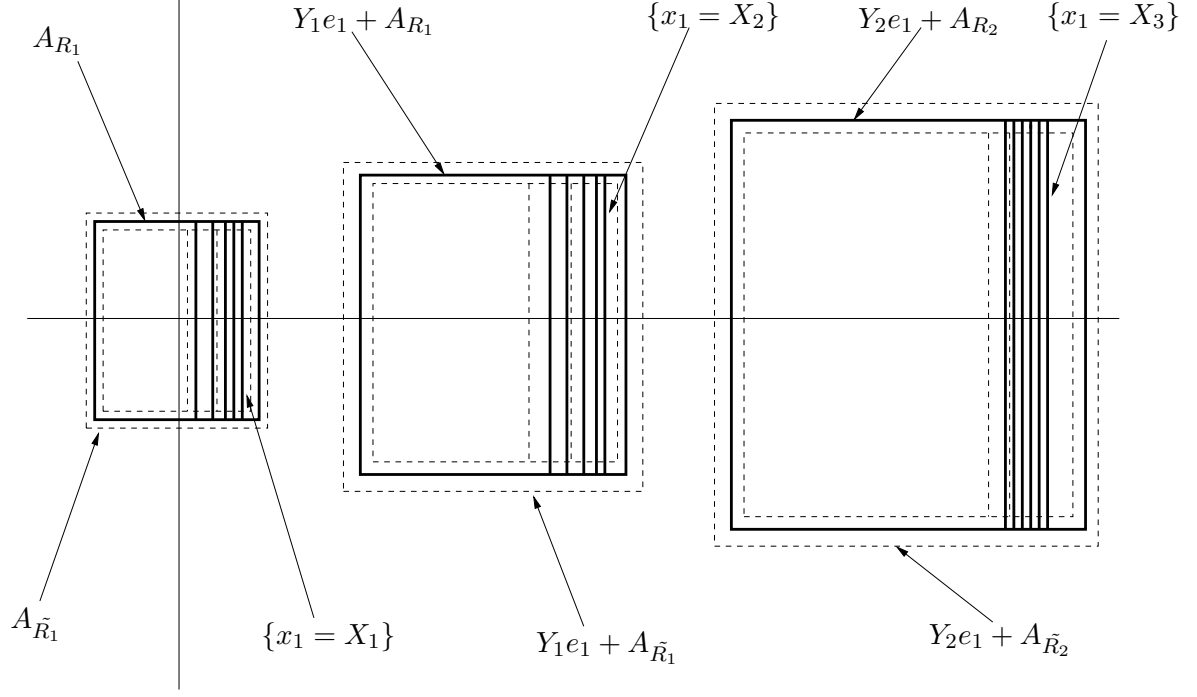


Figure 3: Illustration for solution of (1.1) with the initial data having structure like (2.17) in each of the three boxes and the dotted lines represent the structure of the solution $u(x, t)$ at time $t < t_{k_0}$.

Now define

$$u_0(x) = \begin{cases} 0 & \text{if } x \in A_1 \cap \{x_1 < w_N\}, \\ \sigma_m(R_1) & \text{if } x \in A_1 \cap \{w_m < x_1 < w_{m+1}\}, \text{ for } m \geq N_1 \\ \frac{1}{R_1^{d+4}} & \text{if } x \in A_1 \cap \{x_1 > X_1\}, \\ 0 & \text{if } x \in A_k \cap \{x_1 < w_{N_k}^k\} \text{ for } k \geq 2, \\ \sigma_m(R_k) & \text{if } x \in A_k \cap \{w_m^k < x_1 < w_{m+1}^k\} \text{ for } m \geq N_k, k \geq 2, \\ \frac{1}{R_k^{d+4}} & \text{if } x \in A_k \cap \{x_1 > X_k\} \text{ for } k \geq 2, \\ 0 & \text{if } x \in \left(\bigcup_{k=1}^{\infty} A_k\right)^c. \end{cases}$$

Note that we can choose $R_k \in \mathbb{N}$ and $R_{k+1} > R_k$. Since for each $k \in \mathbb{N}$, $\|u_0\|_{L^\infty(A_k)} \leq \frac{1}{R_k^{d+4}}$ and volume of A_k is R_k^d we get $\|u_0\|_{L^1(\mathbb{R}^d)} \leq \sum_{k=1}^{\infty} \frac{R_k^d}{R_k^{d+4}} < \infty$. Hence $u_0 \in L^\infty(\mathbb{R}^d) \cap L^1(\mathbb{R}^d)$.

As we have already seen in step 2 that for a pair (X_1, Y_0, R_1) we can choose another pair (X_2, Y_1, R_2) such that there exists $t_0^2 > t_0^1 + 1$ and for $t \in (0, t_0^2)$ no characteristic from A_1 meets any characteristic from A_2 . Now in similar process we can choose (X_{k+1}, Y_k, R_{k+1}) for $k \in \mathbb{N}$ such that for any $t \in (0, t_0^k)$ no characteristic from the region $\bigcup_{j=1}^k A_j$ will not

intersect with any characteristic from the region A_{k+1} and $t_0^{k+1} > t_0^k + 1$ holds. This makes sure that for any $k_0 \in \mathbb{N}$ the entropy solution will look like (see figure 3),

$$u(x, t) = \begin{cases} \frac{2}{R_k n^\tau} & \text{if } x \in \left\{ w_{2n}^k + \frac{2^{\zeta+d}}{n^{(\zeta+d)\tau}} \frac{t}{R_k^{\zeta+d}} < x_1 < w_{2n+1}^k + \frac{2^{\zeta+d+1}-1}{(\zeta+d+1)n^{(\zeta+d)\tau}} \frac{t}{R_k^{\zeta+d}} \right\} \cap \tilde{A}_k, \\ & \text{for } n \geq N_k, k \geq k_0, \\ \frac{1}{R_k n^\tau} & \text{if } x \in \left\{ w_{2n+1}^k + \frac{2^{\zeta+d+1}-1}{(\zeta+d+1)n^{(\zeta+d)\tau}} \frac{t}{R_k^{\zeta+d}} < x_1 < w_{2n+2}^k + \frac{1}{n^{(\zeta+d)\tau}} \frac{t}{R_k^{\zeta+d}} \right\} \cap \tilde{A}_k \\ & \text{for } n \geq N_k, k \geq k_0, \\ 0 & \text{if } x \in \left(\bigcup_{k=1}^{\infty} Y_{k-1} e_1 + A_{\tilde{R}_k} \right)^c, \end{cases} \quad (2.17)$$

for $t \in (0, t_{k_0})$ and $0 < r_k < R_k < \tilde{R}, \tilde{A}_k = Y_{k-1} e_1 + A_{r_k}$ for all $k \geq k_0$.

Since $t_0^{k+1} > t_0^k + 1$ we have $t_0^k \rightarrow \infty$ as $k \rightarrow \infty$. Hence for any $t > 0$ there exists a $k_0 \in \mathbb{N}$ such that $t < t_0^{k_0}$ holds. Hence at time t the entropy solution $u(x, t)$ will look like (2.17). By the similar calculation that we have done in step 1 we can show that $|u(\cdot, t)|_{B^{s,p,\theta}(A_{k_0})} = \infty$. This completes the proof of the proposition. \square

Now we will present the proof of Proposition 1.2. Idea is almost same as in Proposition 1.1 but choice of the linear function M and corresponding sequences are different. We describe the key steps and omit similar calculations.

Proof of Proposition 1.2. Assume the fluxes f, g satisfy

$$f(u) = \frac{(u^2 + 1)^2}{4} \text{ and } g(u) = \frac{u^2}{2}, \text{ i.e. } f'(u) = u^3 + u \text{ and } g'(u) = u.$$

Let $\gamma = \frac{1}{3} + \epsilon$ and $(b_m)_{m \geq 2}, (\lambda_m)_{m \geq 2}$ be two real number sequences defined as

$$b_m = \frac{1}{n^{3\gamma}} \text{ for } n = \left\lfloor \frac{m}{2} \right\rfloor, \\ \lambda_m = \lambda_m(R) = \begin{cases} \frac{2}{R n^\gamma} & \text{for } m = 2n, \\ \frac{1}{R n^\gamma} & \text{for } m = 2n + 1 \end{cases}$$

and this $\epsilon (> 0)$ will be chosen later and $[\cdot]$ is the box function.

Let's define for each $k \in \mathbb{N}$, $w_m^k = Y_k + \sum_{j=N_k}^m b_j$ for $m \geq N_k$, $Y_0 = 0$ and $X_{k+1} = Y_k + \sum_{j=N_k}^{\infty} b_j$ and $B_{k+1} = Y_k e_1 + A_{R_{k+1}}$ where $R_k > X_k$ and $Y_k > X_k + R_k$ for $k \geq 1$ will be

chosen later. Now define

$$u_0(x) = \begin{cases} 0 & \text{if } x \in B_1 \cap \{x_1 < w_N\}, \\ \lambda_m(R_1) & \text{if } x \in B_1 \cap \{w_m < x_1 < w_{m+1}\}, \text{ for } m \geq N_1 \\ \frac{1}{R_1^\alpha} & \text{if } x \in B_1 \cap \{x_1 > X_1\}, \\ 0 & \text{if } x \in B_k \cap \{x_1 < w_{N_k}^k\} \text{ for } k \geq 2, \\ \lambda_m(R_k) & \text{if } x \in B_k \cap \{w_m^k < x_1 < w_{m+1}^k\} \text{ for } m \geq N_k, k \geq 2, \\ \frac{1}{R_k^\alpha} & \text{if } x \in B_k \cap \{x_1 > X_k\} \text{ for } k \geq 2, \\ 0 & \text{if } x \in \left(\bigcup_{k=1}^{\infty} B_k\right)^c. \end{cases}$$

Note that we can choose $R_k \in \mathbb{N}$ and $R_{k+1} > R_k$. By similar argument as given in step 3 of Proposition 1.1 we can show $u_0 \in L^\infty(\mathbb{R}^d) \cap L^1(\mathbb{R}^d)$. Now in similar process as done in step 3 of Proposition 1.1 we can choose (X_{k+1}, Y_k, R_{k+1}) for $k \in \mathbb{N}$ such that for any $t \in (0, t_0^k)$ no characteristic from the region $\bigcup_{j=1}^k B_j$ will not intersect with any characteristic from the region B_{k+1} and $t_0^{k+1} > t_0^k + 1$. This makes sure that for any $k_0 \in \mathbb{N}$ the entropy solution will have structure like

$$u(x, t) = \begin{cases} \frac{2}{R_k n^\gamma} & \text{if } x \in \left\{w_{2n}^k + \frac{8t}{n^{3\gamma} R_k^3} < x_1 < w_{2n+1}^k + \frac{15t}{4R_k^3 n^{3\gamma}}\right\} \cap \tilde{B}_k \\ & \text{for } n \geq N_k, k \geq k_0, \\ \frac{1}{R_k n^\gamma} & \text{if } x \in \left\{w_{2n+1}^k + \frac{15t}{4R_k^3 n^{3\gamma}} < x_1 < w_{2n+2}^k + \frac{t}{R_k^3 n^{3\gamma}}\right\} \cap \tilde{B}_k \\ & \text{for } n \geq N_k, k \geq k_0, \\ 0 & \text{if } x \in \left(\bigcup_{k=1}^{\infty} Y_{k-1} e_1 + A_{\tilde{R}_k}\right)^c, \end{cases}$$

for $t \in (0, t_0^{k_0})$ and $0 < r_k < R_k < \tilde{R}, \tilde{B}_k = Y_{k-1} e_1 + A_{r_1}$ for all $k \geq k_0$. Again similar calculation shows that for any time $t > 0$, there exists $k_0 \in \mathbb{N}$ such that $|u(\cdot, t)|_{B^{s,p,\theta}(B_{k_0})} = \infty$. This completes the proof of the proposition. \square

Proof of the Remark 1.2 (Sketch). Suppose f is a flux function satisfying

$$|\{w \in \mathbb{R} \mid \xi \cdot (a(w) - a(v)) < \delta\}| < \delta^\alpha,$$

where $a(u) = f'(u)$. Then there exists $\xi_0 \in \mathbb{R}^d$ and $I \subset \mathbb{R}$ such that $|\xi_0 \cdot (a(w) - a(v))| \leq |w - v|^{\frac{1}{\alpha}}$ holds for any $w, v \in I$. Now choose an increasing sequence $(a_k)_{k \geq 1}$ such that $(a_{k+1} - a_{k-1}) = \frac{1}{k^q}$, for some $q > 1$. By our assumption $h(u) = \xi_0 \cdot a(u)$ is increasing in some neighbourhood. Let $g : \mathbb{R} \rightarrow \mathbb{R}$ be defined as $g(u) = \xi_0 \cdot f(u)$. Since $g'(u) = h(u)$ holds, g is convex in that neighbourhood. We also get

$$g'(a_{k-1}) < \frac{g(a_{k+1}) - g(a_{k-1})}{a_{k+1} - a_{k-1}} < g'(a_{k+1}), \quad \frac{g'(a_{k+1}) - g'(a_{k-1})}{(a_{k+1} - a_{k-1})^{\frac{1}{\alpha}}} \leq 1.$$

Define $N_k = \left\lceil \frac{1}{(a_{k+1} - a_{k-1})^{\frac{1}{\alpha} k^{1+\epsilon}}} \right\rceil$ and $J_k = \sum_{j=1}^k N_j$ for all $k \in \mathbb{N}$, $J_0 = 0$ and $\epsilon (> 0)$ will

be chosen later. Let $(l_m)_{m \geq 2}, (\sigma_m)_{m \geq 2}$ be two real number sequences defined as

$$\begin{aligned}\sigma_m &= \begin{cases} a_{k+1} & \text{if } m = 2n, J_{k-1} < n \leq J_k, k \geq 1 \\ a_{k-1} & \text{if } m = 2n + 1, J_{k-1} \leq n < J_k, k \geq 1 \end{cases} \\ l_m &= (a_{k+1} - a_{k-1})^{\frac{1}{\alpha}} \text{ if } J_{k-1} < \lfloor \frac{m}{2} \rfloor \leq J_k, k \geq 1.\end{aligned}$$

Now consider $M(x) = \xi_0 \cdot x$ and define $w_m = \sum_{j=N}^m l_j$ for $m \geq N$, where this N will be chosen later. Let $w_k \rightarrow w_0$ as $k \rightarrow \infty$. Now we are all set to define an initial data u_0 as

$$u_0(x) = \begin{cases} 0 & \text{if } x \in \{M(x) < w_N\} \cap A_R, \\ \sigma_m & \text{if } x \in \{w_m < M(x) < w_{m+1}\} \cap A_R, \\ \frac{1}{R^q} & \text{if } x \in \{M(x) > w_0\} \cap A_R, \\ 0 & \text{if } x \in A_R^c, \end{cases}$$

where $R, q > 0$ are large numbers. Again by similar argument as in step 1 of Proposition 1.1 we can say there exists a time t_0 such that no characteristic from the set $\{M(x) = w_{2n}\}$ and $\{M(x) = w_{2n+2}\}$ will meet the discontinuity plane starting from $\{M(x) = w_{2n+1}\}$ before time t_0 . Hence the entropy solution will look like

$$u(x, t) = \begin{cases} a_{k+1} & \text{if } x \in \left\{ w_{2n} + g'(a_{k+1}) < M(x) < w_{2n+1} + \frac{g(a_{k+1}) - g(a_{k-1})}{a_{k+1} - a_{k-1}} \right\} \cap A_r, \\ & \text{for } J_{k-1} < n \leq J_k \\ a_{k-1} & \text{if } x \in \left\{ w_{2n+1} + \frac{g(a_{k+1}) - g(a_{k-1})}{a_{k+1} - a_{k-1}} < M(x) < w_{2n+2} + g'(a_{k-1}) \right\} \cap A_r, \\ & \text{for } J_{k-1} \leq n < J_k \\ 0 & \text{if } x \in A_{R_1}^c, \end{cases}$$

for $0 < r < R < R_1$. There exists $1 \leq i \leq d$ such that $M(e_i) \neq 0$. Then by similar calculation as done in Proposition 1.1 we can show for $0 < h < (a_{n+1} - a_{n-1})^{\frac{1}{\alpha}}$,

$$\begin{aligned}\|\Delta_i^h u(\cdot, t)\|_{L^p(\mathbb{R}^d)}^p &= C \sum_{k=N}^n \sum_{j=1}^{N_k} (a_{k+1} - a_k)^{\frac{1}{\alpha}} (a_{k+1} - a_{k-1})^p \\ &\geq C \sum_{k=N}^n N_k (a_{k+1} - a_k)^{\frac{1}{\alpha}} (a_{k+1} - a_{k-1})^p \\ &\geq C \sum_{k=N}^n \frac{(a_{k+1} - a_{k-1})^p}{k^{1+\epsilon}} \\ &\geq C \frac{(n - N)(a_{n+1} - a_{n-1})^p}{n^{1+\epsilon}}.\end{aligned}$$

Hence we get,

$$\begin{aligned}
|u|_{B^{s,p,\theta}(\mathbb{R}^d)}^\theta &\geq C \sum_{n \geq N_1} \frac{n^{\frac{\theta}{p}}(a_{n+1} - a_{n-1})^\theta}{n^{\frac{\theta(1+\epsilon)}{p}}} \int_{(a_{n+2}-a_n)^{\frac{1}{\alpha}}}^{(a_{n+1}-a_{n-1})^{\frac{1}{\alpha}}} \frac{1}{h^{1+s\theta}} dh \\
&\geq C \sum_{n \geq N_1} \frac{n^{\frac{\theta}{p}}(a_{n+1} - a_{n-1})^\theta}{n^{\frac{\theta(1+\epsilon)}{p}}} \left(\frac{1}{(a_{n+2} - a_n)^{\frac{s\theta}{\alpha}}} - \frac{1}{(a_{n+1} - a_{n-1})^{\frac{s\theta}{\alpha}}} \right) \\
&\geq C \sum_{n \geq N_1} \frac{n^{\frac{\theta}{p}}(a_{n+1} - a_{n-1})^\theta n^{\frac{qs\theta}{\alpha}-1}}{n^{\frac{\theta(1+\epsilon)}{p}}} \\
&= C \sum_{n \geq N_1} \frac{1}{n^{\frac{\theta\epsilon}{p}+1-\frac{qs\theta}{\alpha}+q\theta}}.
\end{aligned}$$

Now we first do the analysis for $\theta > 0$ and s close enough to α such that $q\theta(1 - \frac{s}{\alpha}) < 1$ and choose ϵ small enough so that $0 < 1 - \frac{qs\theta}{\alpha} + q\theta + \frac{\theta\epsilon}{p} < 1$ holds. Hence we have $|u(\cdot, t)|_{B^{s,p,\theta}(\mathbb{R}^d)} = \infty$ for any $t \in (0, t_0)$. For any $\theta > 1, s > \alpha$ we will use the Besov space imbeddings. Again by similar technique we can construct an initial data for which the entropy solution will give $B_{loc}^{s,p,\theta}$ blow up for all time $t > 0$. \square

Remark 2.1. Let $u(x, t)$ be the entropy solution of (1.1) with initial data $u_0 \in L^\infty(\mathbb{R}^d) \cap L^1(\mathbb{R}^d)$ then $u(x, t) \in L^\infty$. Furthermore if we assume $u(x, t) \in W^{s,1}$ for $0 < s < \alpha$ then we get for $0 < s_1 < \frac{\alpha}{p}$,

$$|u|_{W^{r,p}} = \int_{\mathbb{R}^d} \int_{\mathbb{R}^d} \frac{|u(x) - u(y)|^p}{|x - y|^{d+rp}} \leq C \int_{\mathbb{R}^d} \int_{\mathbb{R}^d} \frac{|u(x) - u(y)|}{|x - y|^{d+s}} < \infty$$

because $s = rp < \alpha$. Hence $u \in W^{r,p}$ for $0 < r < \frac{\alpha}{p}$.

3 Appendix

Proof of Lemma 2.1. Let $u(x, t)$ be the entropy solution of (1.1) with the initial data

$$u_0(x) = \begin{cases} a & \text{if } M(x) < 0, \\ b & \text{if } M(x) > 0 \end{cases}$$

and flux having the same property as mentioned in this lemma. Now there are two possibilities

- i) When $a > b$, consider $x_0, y_0 \in \mathbb{R}^d$ such that $M(x_0) < 0$ and $M(y_0) > 0$. Then equations of characteristics from x_0, y_0 are $x = x_0 + f'(a)t$, $x = y_0 + f'(b)t$ respectively. Note that for x_0, y_0 with the property $x_0 - y_0 = (f'(b) - f'(a))t$ those two characteristics intersect at some time $t_1 > 0$. This means that the solution has discontinuities.

Let the discontinuity surface be $S(t, x) = 0$. Then $S(t, x)$ is the solution to the following problem

$$(b - a)S_t + (f(b) - f(a)) \cdot \nabla_x S = 0, \quad (3.18)$$

$$S(0, x) = M(x) \quad \forall x \in \mathbb{R}^d. \quad (3.19)$$

Notice that equation (3.18) comes from Rankine-Hugoniot condition. Also note that $(t, x) \mapsto M(x - \gamma t)$ is the unique solution of (3.18), (3.19).

Let's define $u(x, t)$ as

$$u(x, t) = \begin{cases} a & \text{if } M(x - \gamma t) < 0, \\ b & \text{if } M(x - \gamma t) > 0. \end{cases}$$

From the fact that $u \mapsto M(f(u))$ is convex therefore it is clear that $u(x, t)$ satisfies Kruzkov entropy condition

$$\int_0^\infty \int_{\mathbb{R}^d} |u - k| \frac{\partial \phi}{\partial t} + \text{sgn}(u - k)(f(u) - f(k)) \cdot \nabla_x \phi \, dx dt \geq 0,$$

for all $\phi \in C_c^\infty(\mathbb{R}^d \times \mathbb{R}_+)$ and for any $k \in \mathbb{R}$. Hence $u(x, t)$ is the entropy solution. This completes the proof of case (i).

- ii) When $a < b$, consider $x_0, y_0 \in \mathbb{R}^d$ such that $M(x_0) < 0$ and $M(y_0) > 0$. Then equations of characteristics from x_0, y_0 are $x = x_0 + f'(a)t$, $x = y_0 + f'(b)t$ respectively. If they meet for some t_2 then $x_0 - y_0 = (f'(b) - f'(a))t_2$ holds. Now consider the images of both the sides under the map M and from the linearity of the map M we get

$$M(x_0) - M(y_0) = M(f'(b)) - M(f'(a))$$

which gives us contradiction since LHS is < 0 but RHS is ≥ 0 . Hence characteristics will not intersect and solution $u(x, t)$ will behave like (see Figure 1)

$$u(x, t) = \begin{cases} a & \text{if } M(x - f'(a)t) < 0, \\ b & \text{if } M(x - f'(b)t) > 0. \end{cases}$$

Now if we consider our initial data like as mentioned in the lemma due to the finite speed of propagation, for any $0 < r_1 < r$ there exists $t_0 > 0$ such that any characteristic from A_r^c will not intersect with any characteristic from A_{r_1} for $t \in (0, t_0)$. Finite speed of propagation also ensures that there exists $0 < r_2 = r_2(t_0, f, \max(|a|, |b|))$ such that $u(x, t) = 0 \quad \forall x \notin A_{r_2}$ and $\forall t \in (0, t_0)$. This completes the proof of the lemma. \square

Proof of Lemma 2.2. Consider the Taylor's expansion for $x > 0$,

$$(x + 1)^\beta = x^\beta + \frac{\beta}{x^{1-\beta}} - \frac{\beta(1-\beta)}{x^{2-\beta}} + \frac{\beta(1-\beta)(2-\beta)}{x_0^{3-\beta}}, \quad \text{where } x_0 \in (x, x + 1).$$

Since $\beta \in (0, 1)$ we have

$$(x + 1)^\beta \geq x^\beta + \frac{\beta}{x^{1-\beta}} - \frac{\beta(1-\beta)}{x^{2-\beta}}.$$

Similarly we can show the other inequality. \square

Acknowledgement. The first author would like to thank Inspire faculty-research grant DST/INSPIRE/04/2016/000237.

References

- [1] Adimurthi, R. Dutta, S. S. Ghoshal and G. D. Veerappa Gowda, Existence and nonexistence of TV bounds for scalar conservation laws with discontinuous flux, *Comm. Pure Appl. Math.*, 64 (2011), no. 1, 84–115.
- [2] Adimurthi, S. S. Ghoshal and G. D. Veerappa Gowda, Finer regularity of an entropy solution for $1 - d$ scalar conservation laws with non uniform convex flux, *Rend. Semin. Mat. Univ. Padova.*, 132 (2014), 1–24.
- [3] Adimurthi, S.S. Ghoshal and G. D. Veerappa Gowda, Exact controllability of scalar conservation laws with strict convex flux, *Math. Control Relat. Fields.*, 4 (4) (2014), 401–449.
- [4] Adimurthi and S.S. Ghoshal, Single shock solution for non convex scalar conservation laws, *arXiv:1804.04350v3, Preprint, 2018*.
- [5] C. Bardos, A.Y. le Roux and J.-C. Nédélec, First order quasilinear equations with boundary conditions, *Comm. Partial Differential Equations* 4 (1979), no. 9, 1017–1034.
- [6] S. Bianchini and E. Marconi, On the structure of L^∞ -entropy solutions to scalar conservation laws in one-space dimension, *Arch. Ration. Mech. Anal.* 226 (2017), 1, 441–493.
- [7] A. Bressan, Hyperbolic systems of conservation laws. The one-dimensional Cauchy problem. *Oxford Lecture Series in Mathematics and its Applications*, 20. Oxford University Press, Oxford, 2000.
- [8] P. Castelli and S. Junca, On the maximal smoothing effect for multidimensional scalar conservation laws, *Nonlinear Anal.* 155 (2017), 207–218.
- [9] P. Castelli, P.-E. Jabin and S. Junca, Fractional spaces and conservation laws, *to appear in the Proceedings of the Hyp2016 conference*.
- [10] G.-Q. Chen and H. Frid, Divergence-measure fields and hyperbolic conservation laws, *Arch. Ration. Mech. Anal.* 147 (1999), no. 2, 89–118.
- [11] G.-Q. Chen and M. Rascle, Initial layers and uniqueness of weak entropy solutions to hyperbolic conservation laws, *Arch. Ration. Mech. Anal.*, 153 (2000), 205–220.
- [12] G.-Q. Chen and K.H. Karlsen, L^1 -framework for continuous dependence and error estimates for quasilinear anisotropic degenerate parabolic equations, *Trans. Amer. Math. Soc.* 358 (2006), no. 3, 937–963 (electronic).
- [13] K.S. Cheng, The space BV is not enough for hyperbolic conservation laws, *J. Math. Anal. Appl.*, 91 (2) (1983), 559–561.

- [14] C. Cheverry, Regularizing effects for multidimensional scalar conservation laws, *Ann. Inst. H. Poincaré Anal. Non Linéaire.*, 17 (2000), 413–472.
- [15] G. Crippa, F. Otto, M. Westdickenberg, Regularizing effect of nonlinearity in multidimensional scalar conservation laws. Transport equations and multi-D hyperbolic conservation laws, *Lect. Notes Unione Mat. Ital.*, 5, Springer, Berlin, (2008), pp 77–128.
- [16] C.M. Dafermos, Hyperbolic conservation laws in continuum physics, *Springer Verlag, Berlin*, (2010).
- [17] C. De Lellis and T. Riviere, The rectifiability of entropy measures in one space dimension, *J. Math. Pures Appl.*, (9) 82 (10) (2003), 1343–1367.
- [18] C. De Lellis and M. Westdickenberg, On the optimality of velocity averaging lemmas, *Ann. Inst. H. Poincaré Anal. Non Linéaire.*, 20 (6) (2003), 1075–1085.
- [19] C. De Lellis; F. Otto and M. Westdickenberg, Structure of entropy solutions for multi-dimensional scalar conservation laws, *Arch. Ration. Mech. Anal.* 170 (2003), 2, 137–184.
- [20] R. J. DiPerna, Measure-valued solutions to conservation laws, *Arch. Rational Mech. Anal.*, 88 (1985), 223–270.
- [21] R. J. DiPerna, P.L. Lions and Y. Meyer, L^p regularity of velocity averages, *Ann. Inst. H. Poincaré Anal. Non Linéaire*, 8 (1991), 271–287.
- [22] B. Engquist and E. Weinan, Large time behavior and homogenization of solutions of two-dimensional conservation laws, *Comm. Pure Appl. Math.*, 46 (1) (1993), 1–26.
- [23] L. C. Evans, Partial differential equations, Graduate studies in Mathematics, *vol 19*, AMS 1998.
- [24] B. Gess and X. Lamy, Regularity of solution to scalar conservation laws with force, *Preprint, 2017*
- [25] S. S. Ghoshal, Optimal results on TV bounds for scalar conservation laws with discontinuous flux, *J. Differential Equations.* 3 ,(2015), 980–1014.
- [26] S. S. Ghoshal, BV regularity near the interface for nonuniform convex discontinuous flux, *Networks and Heterogeneous Media*, 11, no.2, (2016), 331–348.
- [27] S. S. Ghoshal and A. Jana, On the regularity of the solution for scalar conservation laws with discontinuous flux, *In preperation.*
- [28] F. Golse, P.-L. Lions, B. Perthame and R. Sentis, Regularity of the moments of the solution of a transport equation, *J. Funct. Anal.* 76 (1988), no. 1, 110–125.
- [29] F. Golse, Nonlinear regularizing effect for conservation laws. (English summary), *Hyperbolic problems: theory, numerics and applications*, 73–92, *Proc. Sympos. Appl. Math.*, 67, Part 1, Amer. Math. Soc., Providence, RI, 2009.

- [30] F. Golse and B. Perthame, Optimal regularizing effect for scalar conservation laws, (English summary), *Rev. Mat. Iberoam.*, 29 (2013), no. 4, 1477–1504.
- [31] H. Holden and N. H. Risebro, Front tracking for hyperbolic conservation laws. Applied Mathematical Sciences, 152. *Springer-Verlag, New York*, 2002.
- [32] P.-E. Jabin and B. Perthame, Regularity in kinetic formulations via averaging lemmas. A tribute to J.-L. Lions, *ESAIM Control Optim. Calc. Var.*, 8 (2002), 761–774.
- [33] P.-E. Jabin and B. Perthame, Kinetic methods for Line-energy Ginzburg-Landau models, Séminaire sur les Equations aux Dérivées Partielles, 2001–2002, *Exposé XIII, Ecole Polytech., Palaiseau*, 2002.
- [34] P.-E. Jabin, Some regularizing methods for transport equations and the regularity of solutions to scalar conservation laws, *Exp. No. XVI, Smin. Equ. Driv. Partielles, Ecole Polytech., Palaiseau*, 2010, pp. 2008–2009.
- [35] K. T. Joseph and G. D. Veerappa Gowda, Explicit formula for the solution of convex conservation laws with boundary condition, *Duke Math. J.* 62 (1991) 401–416.
- [36] S. Junca, High frequency waves and the maximal smoothing effect for nonlinear scalar conservation laws, *SIAM J. Math. Anal.* 46 (3) (2014), 2160–2184.
- [37] S. N. Kruzkov, First-order quasilinear equations with several space variables, *Mat. Sbornik*, 123 (1970), 228–255; *Math. USSR Sbornik*, 10, (1970), 217–273 (in English).
- [38] P. D. Lax, Hyperbolic systems of conservation laws II, *Comm. Pure Appl. Math.*, 10 (1957), 537–566.
- [39] P. LeFloch, Explicit formula for scalar non-linear conservation laws with boundary condition, *Math. Methods Appl. Sci.* 10 (1988) 265–287.
- [40] G. Leoni, A first course in Sobolev spaces, *Graduate Studies in Mathematics*, 105. *American Mathematical Society, Providence, RI*, 2009.
- [41] P.-L. Lions, B. Perthame and E. Tadmor, A kinetic formulation of multidimensional scalar conservation laws and related equations, *J. Amer. Math. Soc.*, 7 (1994), 169–192.
- [42] P.-L. Lions, B. Perthame and E. Tadmor, Kinetic formulation of the isentropic gas dynamics and p-systems, *Comm. Math. Phys.*, 163 (1994), 415–431.
- [43] P.-L. Lions, Régularité optimale des moyennes en vitesses, *C. R. Acad. Sci. Paris Sér I Math*, 320 (1995), no. 8, 911–915.
- [44] P.-L. Lions, B. Perthame and P.E. Souganidis, Existence and stability of entropy solutions for the hyperbolic systems of isentropic gas dynamics in Eulerian and Lagrangian coordinates, *Comm. Pure Appl. Math.* 49 (1996), no. 6, 599–638.
- [45] E. Marconi, Regularity estimates for scalar conservation laws in one space dimension, *Preprint*, 2017.

- [46] O. Oleinik, Discontinuous solutions of nonlinear differential equations, *Uspekhi Mat. Nauk* 12 (1957) 3–73. [Transl. Am. Math. Soc. Transl. Ser. 2, 26, (1963), 95–172].
- [47] B. Perthame, and E. Tadmor, A kinetic equation with kinetic entropy functions for scalar conservation laws, *Comm. Math. Phys.* 136 (1991), no. 3, 501–517.
- [48] B. Perthame and P.E. Souganidis, A limiting case for velocity averaging, *Ann. Sci. École Norm. Sup. (4)* 31 (1998), no. 4, 591–598.
- [49] B. Perthame, Kinetic formulation of conservation laws, *Oxford series in mathematics and its applications*, Oxford University Press, (2002).
- [50] D. Serre, Systems of Conservation Laws I, *Cambridge Univ. Press*, (1999).
- [51] A. Szepessy, Measure-valued solutions of scalar conservation laws with boundary conditions, *Arch. Rational Mech. Anal.*, 107 (1989), pp. 181–193.
- [52] E. Tadmor, M. Rascle and P. Bagnerini, Compensated compactness for 2D conservation laws, *J. Hyperbolic Differ. Equ.* 2 (2005), no. 3, 697–712.
- [53] E. Tadmor and T. Tao, Velocity averaging, kinetic formulations and regularizing effects in quasi-linear PDEs, *Comm. Pure Appl. Math.*, 60 (10) (2007), 1488–1521.
- [54] L. Tartar, Compensated compactness and applications to partial differential equations. Non-linear analysis and mechanics, *Heriot-Watt Symposium, vol. 4, 136–212. Research Notes in Mathematics, 39. Pitman, Boston-London*, 1979.
- [55] H. Triebel, Fractals and Spectra Related to Fourier Analysis and Function Spaces, *in: Monographs Math., Vol. 91, Birkhauser, Basel*, 1997.
- [56] A. Vasseur, Strong traces for solutions of multidimensional scalar conservation laws, *Arch. Ration. Mech. Anal.* 160 (2001), no. 3, 181–193.