
Mixed Effect Composite RNN-GP: A Personalized and Reliable Prediction Model for Healthcare

Ingyo Chung
KAIST
Daejeon, South Korea
jik0730@kaist.ac.kr

Saehoon Kim
AITrics
Seoul, South Korea
shkim@aitric.com

Juho Lee*
University of Oxford
Oxford, England
juho.lee@stats.ox.ac.uk

Sung Ju Hwang*
KAIST
Daejeon, South Korea
sjhwang82@kaist.ac.kr

Eunho Yang*
KAIST
Daejeon, South Korea
eunhoy@kaist.ac.kr

Abstract

We present a personalized and reliable prediction model for healthcare, which can provide individually tailored medical services such as diagnosis, disease treatment and prevention. Our proposed framework targets to making reliable predictions from time-series data, such as Electronic Health Records (EHR), by modeling two complementary components: i) shared component that captures global trend across diverse patients and ii) patient-specific component that models idiosyncratic variability for each patient. To this end, we propose a composite model of a deep recurrent neural network (RNN) to exploit expressive power of the RNN in estimating global trends from large number of patients, and Gaussian Processes (GP) to probabilistically model individual time-series given relatively small number of time points. We evaluate the strength of our model on diverse and heterogeneous tasks in EHR datasets. The results show that our model significantly outperforms baselines such as RNN, demonstrating clear advantage over existing models when working with noisy medical data.

1 Introduction

Precision medicine, which aims to provide *individually* tailored medical services such as diagnosis, disease treatment and prevention, is an ultimate goal in healthcare. While rendered difficult in the past, nowadays it is becoming increasingly realizable due to the advances in data-driven approaches such as machine learning. Especially the recent widespread use of Electronic Health Record (EHR), a systematic collection of diverse clinical records of patients, has encouraged machine learning researchers to explore various clinical inference models to improve the quality of clinical cares based on the records of personal medical history [1, 2, 3].

Several machine learning applications using EHR have already achieved success on multitudes of clinical tasks such as heart failure risk prediction [4], sepsis prediction [5], and physiological time-series analysis [6]. Especially, the recent huge success of deep learning has made the recurrent neural networks (RNN) as the most popular choice when working with EHR data [1, 4]. However, RNN generally suffers from lack of interpretability, as it is difficult to see the contribution of each input and the uncertainty in prediction, which is crucial for clinical tasks. Moreover, deep networks typically require immense data due to its large number of parameters, making it very challenging

*AITrics, Seoul, South Korea

to train separate models for each patient. Thus RNN could be a sensible choice if we aim to predict well on average, but the prediction may not be optimal for each patient. Gaussian Process (GP) is another popular model for time-series. Due to its probabilistic nature, GP is sometimes preferred when representing uncertainty is critical. However, when working with large amount of data, modeling exact GP gets computationally challenging since it requires to compute the inverse of covariance matrix across all data points ($O(n^3)$ in exact inference for n data points), although several approximations such as Snelson and Ghahramani [7] and Titsias [8] have been proposed to alleviate this issue at the expense of performance degeneration.

A crucial limitation of existing approaches (called “one-model-fits-all”) is that they only consider the observed factors when making prediction, ignoring huge variability among patients in their *unobserved* properties. This variability originates from diverse sources such as intrinsic differences due to demographical and biological factors, or some other environmental differences [9, 10]. When performing diagnosis, two equivalent clinical features may not mean the equivalence in the progression of the target disease, due to such intrinsic differences among the patients. Nevertheless, they just treat the collection of patients in EHR as independent and identically distributed observations, and train a single deep model (or personalized GP models *sharing* parameters to reduce computational cost). To demonstrate this issue, we illustrate in Figure 1 how heterogeneities across patients can impact the overall estimations. In the simulation we generate data for a patient i from $f^{(i)}(x) = x + \sin(x) + \epsilon^{(i)}$ where the function has the global trend shared by all patients as well as patient specific noise: $\epsilon^{(i)} \sim \mathcal{N}(\mu_i, \sigma_i^2)$ making deviation from others. Our goal is to predict outputs in the test phase (after dashed line) after learning from training data (before dashed lined). We can see the overall estimations by all of the state-of-the-arts drastically degraded, due to the diversity of μ_i across patients. This suggests the risk of ignoring individual characteristics.

Toward this, we propose a composite model of RNN and GP that benefits from both models, which we refer to as Mixed-Effect Composite RNN-Gaussian Processes (MECGP). In MECGP, by leveraging their complementary properties, we use RNN to capture the global trend among large number of heterogeneous patients and GP to model the disease progression of individual patient.

Specifically, our MECGP is a multi-task framework that provides *personalized* inference for time-series data such as EHR, in which individual (or patient-wise) process consists of sum of two components: i) one capturing global trend across diverse patients and ii) the other modeling idiosyncratic variability for each patient. For the former, we train a single process and share it across all patients. Since we are targeting the time series medical datasets such as EHR where we have huge number of diverse types of patients, this shared process should be representationally powerful to capture the global trend among them. Not only that, it should be computationally amenable to handle large number of patients in the training as well as inference time. We use RNN to exploit its representational power and relative computational efficiency. On the other hand for the latter, since each process is separately maintained for each patient without any information sharing, it should be reliable even with very limited number of data points (here each data indicates the patient’s hospital visit). Thus we choose a GP as an individual model for each patient. The use of GP also naturally enables us to obtain the prediction uncertainty, which is another important feature for reliable prediction for mission-critical clinical tasks.

We validate our model both on classification and regression tasks consisting of making risk predictions for twelve common diseases from a large EHR dataset. The comparative analysis demonstrates that MECGP significantly outperforms current state-of-the-art methods, and can also represent the prediction uncertainty for each patient.

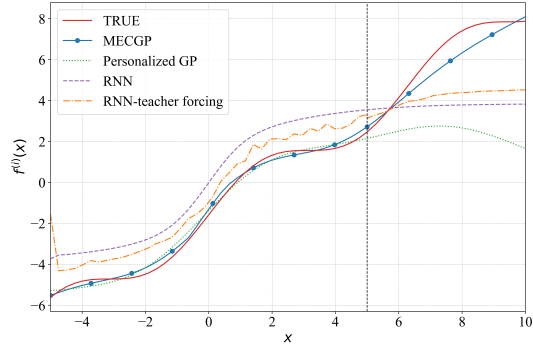


Figure 1: **Motivating experiment.** A single model learned across all patients will ignore patient-specific idiosyncrasies, which may lead to overly incorrect predictions. Learning a separate model for each patient, however, will dismiss the global trend across all patients that may be useful for predictions with completely new test points.

2 Related Work

Our research is mainly inspired by following three research fields: variants of Gaussian Process models, deep models and combining GP with deep models, each of which has a long history. We focus on those works relevant to modeling EHR, rather explaining comprehensive works.

Multiple Gaussian Processes with EHR Gaussian Process models have been actively used in the medical applications thanks to its reliability and versatility. However, using the separate formulation of multiple GPs is preferred due to the computational cost. Clifton et al. [11] proposed a multiple GPs formulation to handle missing values caused by sensor artifact or data incompleteness, which is common situation in wearable devices. Peterson et al. [12] proposed to use a similar model for diagnosis of Alzheimer’s disease, where a population-level GP is adapted to a new patient using domain GPs individually. This model can be understood as the multi-task learning in the sense that the parameter of GPs across patients is shared. Most of the works using multiple GPs as the multi-task learning use GPs in separated way or sharing parameters, which cannot fully take advantages from common knowledge across tasks.

Multi-task Gaussian Process with EHR Several models propose multi-task Gaussian Process with shared covariance functions among task-specific models. Bonilla et al. [13, 14] proposed Multi-task Gaussian Process (MTGP) that makes use of task-specific covariance matrix as well as input-specific covariance matrix in combination for multi-task learning. Practical example of applying MTGP in medical situation is given in Dürichen et al. [6] to correlate multivariate physiological time series data. Cheng et al. [15] is an another approach that proposed to share covariance function where the covariance matrix is structured as the linear model of coregionalization (LMC) framework and is shared among personalized GP for each patient. Futoma et al. [5, 16] utilized a similarly formulated multi-task GP for preprocessing of input data for a RNN. All of this line of works are the multi-task GPs based on shared covariance functions, which makes total covariance matrix too large so that it makes inference intractable in exact way. There have been some attempts to utilize mean function of GP similar to our approach, proposed by Schulam and Saria [17] and Futoma et al. [18]. However our model is constructed in distinctive way where we use flexible deep models for shared mean functions to capture complex structures, and more importantly, we explicitly construct a single GP for each patient to reflect individual signal.

Deep learning models with EHR Recurrent neural networks (RNN) have recently been gained popularity as means of learning a predictive model on time-series clinical data such as EHR. Lipton et al. [1] and Choi et al. [19] proposed to use RNN with Long-Short Term Memory (LSTM) and Gated Recurrent Units (GRU) respectively for multi-label classification of diagnosis codes given multivariate features from EHR. Moreover, the pattern of missingness, which is typical property of EHR, has been exploited in Lipton et al. [3] and Che et al. [2] to further improve performance of the models by introducing missing indicator and the concept of decaying informativeness. Choi et al. [4] proposed to use RNN for generating attention on which feature and the hospital visit the model should attend to, for building an interpretable model, and demonstrated it on heart failure prediction task. While the RNN models have shown impressive performances on real-world clinical datasets, deploying them to safety-critical clinical tasks should be done with caution as they lack the notion of confidence, or uncertainty of prediction.

Combining GP with deep models Since purely deterministic RNNs cannot give us a confidence of the prediction, there has been much recent interest in deriving prediction uncertainty using techniques in Bayesian statistics such as Gal and Ghahramani [20]. One of the direct efforts to accomplish this goal in healthcare, is to combine deep architectures and Gaussian Process to benefit from the strengths of both models. Wilson et al. [21] placed GP at the output of a deep network for obtaining more expressive power, since GP converges to neural networks with infinite number of hidden units [22]. To achieve the same goal of obtaining a more expressive model, Damianou and Lawrence [23] formulated a deep network as a stacked Gaussian Processes. Our work also aims to combine GP with deep neural networks, but our composite model is a more effective way to utilize the strengths of the two complementary models. Specifically, we leverage deep networks for capturing the global complex structure in the data, and use GP to capture local variability in the individual instance.

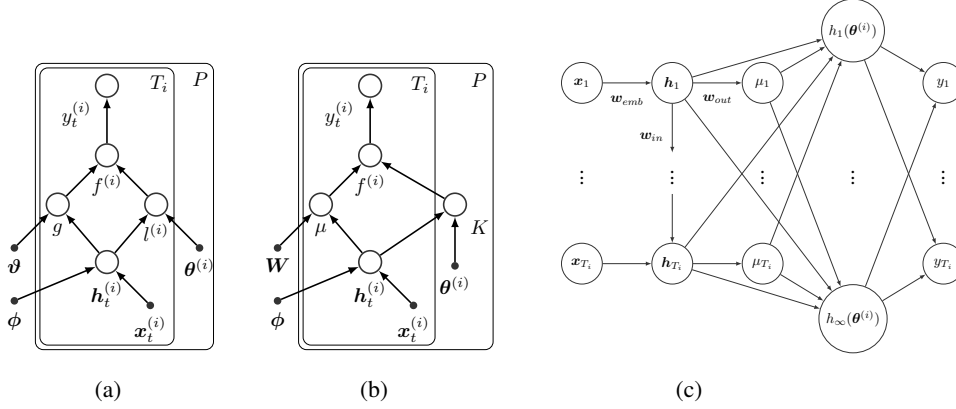


Figure 2: (a) A graphical representation of Multi-task Mixed Effect Framework for personalized healthcare in (1). (b) A graphical representation of MECGP. (c) A graphical representation of an individual GP model for a patient in MECGP.

3 A Framework of Multi-task Mixed Effect Models

Suppose our dataset consists of P number of patients and i -th patient is represented by a sequence of T_i elements (or visits), that is, $\mathbf{X}_i := \mathbf{x}_1^{(i)}, \mathbf{x}_2^{(i)}, \dots, \mathbf{x}_{T_i}^{(i)}$, and corresponding target values, $\mathbf{y}_i := y_1^{(i)}, y_2^{(i)}, \dots, y_{T_i}^{(i)}$. The goal of our predictive task in patient modeling is to predict the target value $y_t^{(i)}$ at each time step, given all the previous input features and target values $\{\mathbf{x}_{t'}^{(i)}\}_{t'=1}^t$ and $\{y_{t'}^{(i)}\}_{t'=1}^{t-1}$.

This problem formulation incorporates several problems in EHR analysis such as disease progression modeling (DPM) or learning to diagnose (L2D) [4]. In DPM, we predict the evolutions of medical codes simultaneously at every time point. Specifically, if we have r different medical codes in our EHR, $\mathbf{x}_t \in \mathbb{R}^r$ then encodes the binary status indicating if each code appears in t -visit data. Our goal is to predict \mathbf{x}_{t+1} at every time t given all the previous history $\{\mathbf{x}_s\}_{s=1}^t$. In L2D, which can be thought of as the special case of DPM, we are interested only in diagnosing of certain disease at the very end of visit sequence.

Now we provide the general description of our approach decomposing the function $f^{(i)}$ for i -th patient into two functions $g(\cdot)$ and $l^{(i)}(\cdot)$ under the multi-task learning paradigm:

$$f^{(i)}(\mathbf{x}_t) = g(\mathbf{h}_t) + l^{(i)}(\mathbf{h}_t) \quad (1)$$

where \mathbf{h}_t is the embedding of input \mathbf{x}_t at time t through the embedding function $\phi(\mathbf{x}_i)$. $g(\mathbf{h}_t)$ models global trend among the whole diverse patients, and hence it is shared across all patients. On the other hand, $l^{(i)}(\mathbf{h}_t)$ models the patient-specific signal (for i -th patient) that is not captured by the common trend $g(\cdot)$. Note that no information is shared across patients through $l^{(i)}(\cdot)$. Note also that in the traditional Bayesian statistics, we usually employ this kind of information sharing strategy at the *parameter* level; that is, the parameter vector for each task is represented as the sum of shared and individual parameters. However, in (1), the function value itself is mixed. Both approaches are equivalent only if $g(\cdot)$ and $l^{(i)}(\cdot)$ are linear mappings, which is not the case in general. The graphical representation of framework (1) is shown in Figure 2(a).

3.1 Mixed Effect Composite RNN-Gaussian Processes

As discussed in the introduction, shared function $g(\cdot)$ and individual function $l^{(i)}(\cdot)$ have their own desired properties. Especially for $l^{(i)}(\cdot)$, we adopt a personalized Gaussian Process, making it possible to naturally provide the prediction uncertainties as well as to reliably estimate individual signals (by hidden factors) based on relatively small number of data points (or visits for certain patient). In addition, a personalized formulation allows us to detour heavy computational cost even when we have large number of patients, which makes the overall model scalable.

For $g(\cdot)$, we use representationally powerful “deep architectures” such as MLP or RNN. This is a reasonable choice to capture complex patterns in high dimensional medical data with which we can also overcome a reverting problem of GP [24] (as shown in Figure 1).

Armed with these deliberate choices, the composite model (1) can be reduced to personalized GPs *sharing* a deep global mean function: for patient $i = 1, \dots, P$,

$$f^{(i)}(\mathbf{x}_t) \sim \mathcal{GP}(\mu(\mathbf{h}_t), k^{(i)}(\mathbf{h}_t, \mathbf{h}_{t'})) \quad (2)$$

where the shared deep function $g(\cdot)$ is renamed as $\mu(\cdot)$, the mean function of GP, and $k^{(i)}(\cdot, \cdot)$ is the covariance function for patient i . The graphical representation of (2) is shown in Figure 2(b) although some parts of our model are deterministic mappings.

The framework of (2) does not restrict $\mu(\cdot)$ to have specific form. However, we focus on RNN fully addressing the sequential nature of EHR:

$$\mathbf{h}_t = \phi(\mathbf{x}_t, \mathbf{h}_{t-1} | \mathbf{w}_{emb}, \mathbf{w}_{in}), \quad \mu_t = \mu(\mathbf{h}_t | \mathbf{w}_{out})$$

where $\mathbf{w} = \{\mathbf{w}_{emb}, \mathbf{w}_{in}, \mathbf{w}_{out}\}$ are weight parameters of RNN (shared across all patients) for embedding, hidden recurrent and output respectively (as described in Figure 2(c)).

The inference of individual from (2) follows the standard procedures for GP inference. We first compute all hidden states of RNN \mathbf{h}_t for all t to embed time series input features, then hidden states are fed into the GP through the associated (shared) mean and covariance functions to make inferences for each patient.

Suppressing patient index i and time index t for clarity, output y follows some distribution $p(y|f(\mathbf{x}))$ that is properly defined according to \mathcal{Y} (i.e., normal distribution when $\mathcal{Y} := \mathbb{R}$ and Bernoulli distribution when $\mathcal{Y} := \{0, 1\}$). Then the distribution of the latent function for the test case \mathbf{x}_* is given by,

$$p(f_* | \mathbf{x}_*, \mathbf{X}, \mathbf{y}) = \int p(f_* | \mathbf{x}_*, \mathbf{X}, \mathbf{f}) p(\mathbf{f} | \mathbf{X}, \mathbf{y}) d\mathbf{f} \quad (3)$$

where \mathbf{X} and \mathbf{y} are the sets of all inputs and outputs from the patient respectively and $p(\mathbf{f} | \mathbf{X}, \mathbf{y}) = p(\mathbf{y} | \mathbf{f}) p(\mathbf{f} | \mathbf{X}) / p(\mathbf{y} | \mathbf{X})$ by Bayes rule. Finally, the predictive distribution of y_* is

$$p(y_* | \mathbf{x}_*, \mathbf{X}, \mathbf{y}) = \int p(y_* | f_*) p(f_* | \mathbf{x}_*, \mathbf{X}, \mathbf{y}) df_* \quad (4)$$

where $p(y_* | f_*)$ is a properly designed likelihood function of y_* given f_* according to the class of problems. In regression case, we have analytic forms for (3) and (4) when $p(y_* | f_*)$ follows Gaussian. On the other hand for classification problems, the likelihood function is designed to be a sigmoid function such as $\frac{1}{1 + \exp(-f_*)}$, which makes the integral in (3) and (4) analytically intractable. Thus, we need approximation methods for the posterior $p(\mathbf{f} | \mathbf{X}, \mathbf{y})$ such as Laplace approximation, variational method or Markov chain Monte Carlo (MCMC) approximation [25, 26].

We can further generalize our framework to assume $g(\cdot)$ to be Gaussian Process. Within generalized framework called Mixed Effect Composite Gaussian Processes, we investigate that many existing baseline models for multi-task learning actually can be expressed within this framework. Details are given in Appendix A.

3.2 Optimization

The learning objective follows minimizing the set of negative marginal log-likelihoods of Gaussian Process models, which seeks to find two sets of parameters, \mathbf{w} and $\boldsymbol{\theta} = \{\boldsymbol{\theta}_i\}_{i=1}^P$, the former from a global shared mean function, and the latter from personalized GPs. Note that as our model is generally applicable to both of regression and classification tasks, we abstractly present the procedures of the optimization. The learning objective is to minimize

$$\mathcal{L}(\boldsymbol{\theta}, \mathbf{w} | \{\mathbf{X}_i, \mathbf{y}_i\}_{i=1}^P) = \sum_{i=1}^P \mathcal{L}(\boldsymbol{\theta}_i, \mathbf{w} | \mathbf{X}_i, \mathbf{y}_i) + \lambda \|\mathbf{w}\|_2^2 \quad (5)$$

where λ is a hyper-parameter for regularization of global mean function and $\mathcal{L}(\boldsymbol{\theta}_i, \boldsymbol{w} | \mathbf{X}_i, \mathbf{y}_i) = \mathcal{L}_i$ is the loss of individual GP to minimize. Note that in Gaussian likelihood case, $\mathcal{L}_i = -\log p(\mathbf{y}_i | \mathbf{X}_i, \boldsymbol{\theta}_i, \boldsymbol{w})$ which is the negative marginal log-likelihood of individual GP as,

$$\log p(\mathbf{y}_i | \mathbf{X}_i, \boldsymbol{\theta}_i, \boldsymbol{w}) = -\frac{1}{2} (\mathbf{y}_i - \boldsymbol{\mu}(\mathbf{X}_i))^T K_i^{-1} (\mathbf{y}_i - \boldsymbol{\mu}(\mathbf{X}_i)) - \frac{1}{2} \log |K_i| - \frac{T_i}{2} \log 2\pi$$

where K_i is the full covariance matrix given \mathbf{X}_i for each patient. In non-Gaussian likelihood case, the cost can be computed as variational lower bound with variational approximation or by simulation [26]. The gradient of (5) with respect to two set of parameters can then be derived by chain rule as follows:

$$\frac{\partial \mathcal{L}}{\partial \boldsymbol{\theta}_i} = \frac{\partial \mathcal{L}_i}{\partial K_i} \frac{\partial K_i}{\partial \boldsymbol{\theta}_i} \quad \text{and} \quad \frac{\partial \mathcal{L}}{\partial \boldsymbol{w}} = \sum_{i=1}^P \left[\left(\frac{\partial \mathcal{L}_i}{\partial K_i} \sum_{t=1}^{T_i} \frac{\partial K_i}{\partial \mathbf{h}_t} \frac{\partial \mathbf{h}_t}{\partial \boldsymbol{w}} \right) + \left(\sum_{t=1}^{T_i} \frac{\partial \mathcal{L}_i}{\partial \mu_t} \frac{\partial \mu_t}{\partial \boldsymbol{w}} \right) \right]. \quad (6)$$

Note that we suppress the dependencies of parameters and the regularization term for notational simplicity. In contrast to the vanilla RNN case, the gradient computation of \boldsymbol{w} in (6) involves additional $\{K_i\}_{i=1}^P$ terms, leading a bit more complicated computation.

Overall algorithm to learn parameters in an alternating fashion is summarized in Algorithm 1 in the appendix. Note again that we can avoid notorious computational cost from GP by setting personalized formulation. In addition, deep architectures as a shared mean function can be updated efficiently through the standard back-propagation algorithm.

4 Experiments

We compared performance of MECGP to state-of-the-art RNN models targeted to clinical practices and several baseline models. In addition to that, to verify versatility of the model we conducted experiments both on classification and regression tasks.

4.1 Data Description

Medical Checkup Dataset This dataset is compiled of EHR from year 2002 to 2013, a collection of individual patient’s data which is based on health checkup variables (input features) and corresponding target binary variables indicating either the absence or presence of a disease. The features are either real or categorical variables which in turn converted into one-hot vectors and we properly normalized each feature by its mean and standard deviation. We simply fill in missing values in raw EHR data to zeros without any missing imputation techniques since the rate of missingness is low [2, 3]. As there was no specific inclusion or exclusion criteria of choosing patients for the experiments and the level of disease progression which is unobserved for each patient varies a lot, the resulting populational data is very heterogeneous. We have selected twelve common target diseases for classification tasks to validate the performance of our models. Total number of patients and data points in datasets are 32927 and 220408 respectively. Summaries of statistics of the private data for each dataset are shown in Appendix Table 4.

Length-Of-Stay Dataset (LOS) This is a publicly available benchmark dataset compiled of Medical Information Mart for Intensive Care (MIMIC-III) database [27, 28]. The task with the dataset is to predict remaining length of stay once per hour for every hour after admission, which is a sequence to sequence regression task. Data preprocessing follows the procedure proposed in Harutyunyan et al. [28]. Similar to the medical checkup datasets, whole populational data originates from heterogeneous sets of diverse patients. We use 1400 out of 41602 patients in benchmark dataset, which have total 118497 data points.

4.2 Experimental Setup

Baselines We compare our models (MECGP) against several baseline models including deep learning models. First we consider following baseline models that train a single model for all patients, called one-model-fits-all.

- **Linear Models (LM)** : A linear regression model for regression task and logistic regression model for classification task.

Table 1: Performance (AUC) comparisons to baseline models in disease risk prediction task.

DISEASES	MECGP (RNN)	MECGP (MLP)	RNN	RETAIN	MTGP-RNN	MLP	LM
ALCOHOLIC FATTY LIVER	0.829	0.801	0.791	0.796	0.785	0.777	0.529
ATHEROSCLEROSIS	0.815	0.740	0.662	0.726	0.716	0.735	0.547
EMPHYSEMA	0.805	0.742	0.778	0.671	0.769	0.787	0.552
LIVER CIRRHOSIS	0.932	0.922	0.888	0.871	0.904	0.856	0.635
ALCOHOLIC HEPATITIS	0.842	0.852	0.803	0.788	0.853	0.782	0.563
ARRHYTHMIA	0.763	0.740	0.592	0.616	0.587	0.658	0.602
FATTY LIVER	0.726	0.731	0.689	0.684	0.680	0.647	0.513
HEART FAILURE	0.829	0.759	0.790	0.792	0.761	0.783	0.620
HEPATIC FAILURE	0.728	0.738	0.625	0.614	0.646	0.688	0.563
HEPATITIS B	0.542	0.489	0.567	0.571	0.674	0.671	0.528
MYOCARDIAL INFARCTION	0.885	0.826	0.865	0.858	0.815	0.890	0.787
TOXIC LIVER DISEASE	0.641	0.698	0.595	0.594	0.596	0.643	0.518
TASK AVERAGE	0.778	0.753	0.720	0.715	0.732	0.743	0.580

- **MLP** : A multi layer perceptron neural network with sigmoid activation function.
- **RNN** : A recurrent neural network with long short-term memory units (LSTM) [1].
- **RETAIN** : A recurrent attention model proposed in Choi et al. [4].
- **MTGP-RNN** : A multi-task Gaussian Process-wrapped RNN proposed in Futoma et al. [5].

With linear models and MLP, individual time steps for all patients are separated to train the models. We exclude variants of a single GP, including MTGP, because of its computational cost in exact inference. For **MECGP**, we evaluate the models having MLP with one hidden layer and RNN with two hidden layers (one for embedding) as a global mean function. We also evaluate variants of MECGP, which are:

- **Personalized GPs** : Personalized GPs without any sharing information.
- **GP-SharedCov** : Personalized GPs with shared covariance function.
- **GP-ShareAll** : Personalized GPs that share both the mean and the covariance function.

Evaluation Metrics Model performance is measured by following metrics.

- **Area Under the ROC Curve (AUC)** : We use one simple and effective evaluation metric for binary classification, AUC, which is an overall measure of discrimination between binary labels.
- **Root Mean Squared Error (RMSE)** : We use RMSE to evaluate performance of regressors, which measures a quality of an estimator.

Training details We train all models on 70% of the full dataset and validate on 10% for determining hyper-parameters, and use the rest 20% for evaluation. We apply two regularization methods to avoid overfitting of the models, early stopping and L2-penalty. For the models including GP, we use a squared exponential (or RBF) kernel function to fully utilize the property of universal approximator [29]. We use variational method [25] for the models using GP as a binary classifier to handle intractability of inference caused by non-Gaussian likelihood, which is described in Section 3.1. We train the models which need gradient based optimization, using stochastic gradient descent with the ADAM optimizer [30].

4.3 Disease Risk Prediction by Medical Checkup

Objective Given a visit sequence of input features $\{\mathbf{x}_t^{(i)}\}_{t=1}^{T_i-1}$ and corresponding binary targets $\{y_t^{(i)}\}_{t=1}^{T_i-1}$ for each patient i , representing clinical status and disease history respectively, our task is to predict the most recent target $y_{T_i}^{(i)}$ given testing point $\mathbf{x}_{T_i}^{(i)}$, meaning to predict risk of disease. This classification task is a problem formulation of learning to diagnose (L2D) described in Section 3. We have conducted classification experiments with twelve common target diseases to compare the models in various situations.

Table 2: Performance (AUC) comparisons among variants of MECGP. ALL corresponds to GP-ShareAll, COV corresponds to GP-SharedCov and NO corresponds to Personalized GPs.

DISEASE	ALL	MECGP	Cov	No
A. FATTY LIVER	0.792	0.829	0.701	0.629
EMPHYSEMA	0.767	0.805	0.602	0.623
LIVER CIRRHOSIS	0.852	0.932	0.820	0.814

Table 3: Performance (RMSE) comparisons to baseline models in length-of-stay task. RETAIN and MTGP-RNN models are excluded since RETAIN is designed to do classification task and MTGP-RNN was intractable to evaluate due to the computational cost of MTGP, caused by relatively large data points with each patient.

MECGP (RNN)	MECGP (MLP)	RNN	MLP	LM	P-GPs
36.583	65.594	141.980	144.542	146.346	1754.506

Results We compare MECGP to strong baseline models to verify how important considering each individual idiosyncratic variability of the patient is, when modeling clinical data, since one-model-fits-all approaches have a hard time to capture idiosyncratic variability for each patient. The experimental comparison against them clearly have shown the outperformances of MECGP as Table 3 summarizes for various diseases. The performances of MECGP with RNN as a global mean function are the best among them. Compared within MECGP having MLP or RNN as a mean function, the model with RNN is better than the one with MLP. This is because RNN can sequentially embed historical data points, meaning to be able to take advantages of previous useful information in time series data, whereas MLP cannot and just do discrimination between binary target values. Commonly, one-model-fits-all models including deep models such as RNN and state-of-the-art clinical predictive models such as MTGP-RNN perform not well since they might not consider and distinguish individual differences drastically among diverse patients. In addition, MECGP is able to represent prediction uncertainty, which is crucial in mission-critical clinical practices, as opposed to the deep models, as shown in Appendix Figure 3.

We evaluate the variants of MECGP to see why we should only share the mean function in GPs. As a recap, our model only shares the global *mean function* across all of patient-wise GPs to capture global trend in the whole data and leverages patient-wise GPs to capture local variability from inherent hidden factors of a patient. The results shown in Table 2 empower our claim that the decomposition of the model into shared global part and personalized local part is sensible with heterogeneous medical data from EHR. GP-ShareAll model degenerates performance compared to MECGP, which means we should allow individual models to capture local variabilities. Personalized GPs and GP-ShareCov also show degraded performances, due to the lack of prior knowledge from the mean function that captures the global trend, as relatively small amount of data is available for individual patients.

4.4 Length-Of-Stay Prediction

Objective Given a visit sequence of input features $\{\mathbf{x}_s^{(i)}\}_{s=1}^{t-1}$ and corresponding target real values $\{y_s^{(i)}\}_{s=1}^{t-1}$ for each patient i , our task is to predict the target $y_t^{(i)}$ given testing point $\mathbf{x}_t^{(i)}$ for continuous stream of inputs $t = 2, \dots, T_i$. This regression task is a problem similar to disease progression modeling (DPM) described in Section 3 except for we predict LOS instead of disease diagnosis.

Results We evaluate the performance of MECGP against baseline models with regression task. Similar to the results in disease risk prediction 4.3, MECGP, especially with RNN as a global mean function, outperforms against strong baselines including deep models. RNN and MLP model fairly performs well, but they could not overcome heterogeneity of the data. For personalized GPs, because of the lack of training data for each patient, most of GPs overfit on their training data and degenerate the performances.

5 Conclusion

We have presented Mixed Effect Composite RNN-Gaussian Processes (MECGP), which is a novel model that exploits complementary properties of RNN and GP within multi-task learning framework for personalized inference from sequential data. We use deep architectures to learn the shared mean function which captures complex patterns in whole data and use GP to model personalized and reliable predictive model. The alternating optimization can successfully learn hyper-parameters of global mean function without overfitting as well as of GPs. Then, the global mean function attached to individual GPs would be powerful prior knowledge on GPs, which makes GPs to be even more expressive. We validated our model for disease risk prediction performance on diverse large time-series datasets compiled from electronic health records (EHR), on which it significantly outperforms relevant state-of-the-art baseline models.

References

- [1] Z. C. Lipton, D. C. Kale, C. Elkan, and R. Wetzel. Learning to diagnose with LSTM recurrent neural networks. In *ICLR*, 2016.
- [2] Z. Che, S. Purushotham, K. Cho, D. Sontag, and Y. Liu. Recurrent neural networks for multivariate time series with missing values. *Scientific Reports*, 8(1):6085, 2018.
- [3] Z. C. Lipton, D. C. Kale, and R. Wetzel. Modeling missing data in clinical time series with RNNs. In *Machine Learning for Healthcare*, 2016.
- [4] E. Choi, M. T. Bahadori, J. Sun, J. Kulas, A. Schuetz, and W. Stewart. RETAIN: An interpretable predictive model for healthcare using reverse time attention mechanism. In *NIPS*, 2016.
- [5] J. Futoma, S. Hariharan, and K. Heller. Learning to detect sepsis with a multitask Gaussian process RNN classifier. In *ICML*, 2017.
- [6] R. Dürichen, M. A. F. Pimentel, L. Clifton, A. Schweikard, and D. A. Clifton. Multitask Gaussian processes for multivariate physiological time-series analysis. *IEEE Transactions on Biomedical Engineering*, 61(1), 2015.
- [7] E. Snelson and Z. Ghahramani. Sparse Gaussian processes using pseudo-inputs. In *NIPS*, 2006.
- [8] M. K. Titsias. Variational learning of inducing variables in sparse Gaussian processes. In *AISTATS*, 2009.
- [9] A. M. Alaa, J. Yoon, S. Hu, and M. van der Schaar. Personalized risk scoring for critical care patients using mixtures of gaussian process experts. In *ICML Workshop on Computational Frameworks for Personalization*, 2016.
- [10] K. Ng, J. Sun, J. Hu, and F. Wang. Personalized predictive modeling and risk factor identification using patient similarity. In *AMIA*, 2015.
- [11] L. Clifton, D. A. Clifton, M. A. F. Pimentel, P. J. Watkinson, and L. Tarassenko. Gaussian processes for personalized e-health monitoring with wearable sensors. *IEEE Transactions on Biomedical Engineering*, 60(1), 2013.
- [12] K. Peterson, O. Rudovic, R. Guerrero, and R. Picard. Personalized Gaussian processes for future prediction of alzheimer’s disease progression. In *NIPS Workshop on Machine Learning for Healthcare*, 2017.
- [13] E. V. Bonilla, K. M. A. Chai, and C. K. I. Williams. Multi-task Gaussian process prediction. In *NIPS*, 2008.
- [14] E. V. Bonilla, F. V. Agakov, and C. K. I. Williams. Kernel multi-task learning using task-specific features. In *AISTATS*, 2007.
- [15] L. Cheng, G. Darnell, C. Chivers, M. E. Draugelis, K. Li, and B. E. Engelhardt. Sparse multi-output Gaussian processes for medical time series prediction. *arXiv preprint arXiv:1703.09112*, 2017.

- [16] J. Futoma, S. Hariharan, M. Sendak, N. Brajer, M. Clement, A. Bedoya, C. O'Brien, and K. Heller. An improved multi-output Gaussian process RNN with real-time validation for early sepsis detection. In *Machine Learning for Healthcare*, 2017.
- [17] P. Schulam and S. Saria. A framework for individualizing predictions of disease trajectories by exploiting multi-resolution structure. In *NIPS*, 2015.
- [18] J. Futoma, M. Sendak, B. Cameron, and K. Heller. Predicting disease progression with a model for multivariate longitudinal clinical data. In *Machine Learning for Healthcare*, 2016.
- [19] E. Choi, M. T. Bahadori, W. Stewart, and J. Sun. Doctor AI: Predicting clinical events via recurrent neural networks. In *Machine Learning for Healthcare*, 2016.
- [20] Y. Gal and Z. Ghahramani. Dropout as a Bayesian approximation: Representing model uncertainty in deep learning. In *ICML*, 2016.
- [21] A. G. Wilson, Z. Hu, R. Salakhutdinov, and E. P. Xing. Deep kernel learning. In *AISTATS*, 2016.
- [22] C. K. I. Williams. Computing with infinite networks. In *NIPS*, 1997.
- [23] A. C. Damianou and N. D. Lawrence. Deep Gaussian processes. In *AISTATS*, 2013.
- [24] S. Ba and V. R. Joseph. Composite Gaussian process models for emulating expensive functions. *The Annals of Applied Statistics*, 6(4), 2012.
- [25] M. Opper and C. Archambeau. The variational Gaussian approximation revisited. *Neural Computation*, 21(3):786–792, 2009.
- [26] H. Nickisch and C. E. Rasmussen. Approximations for binary Gaussian process classification. *JMLR*, 9, 2008.
- [27] A. E. W. Johnson, T. J. Pollard, L. Shen, L. H. Lehman, M. Feng, M. Ghassemi, B. Moody, P. Szolovits, L. Anthony Celi, and R. G. Mark. MIMIC-III, a freely accessible critical care database. *Scientific Data*, 3(160035), 2016.
- [28] H. Harutyunyan, H. Khachatrian, D. C. Kale, and A. Galstyan. Multitask learning and benchmarking with clinical time series data. In *arXiv preprint arXiv:1703.07771*, 2017.
- [29] C. A. Micchelli, Y. Xu, and H. Zhang. Universal kernels. *JMLR*, 7, 2006.
- [30] D. P. Kingma and J. Ba. Adam: A method for stochastic optimization. In *ICLR*, 2015.
- [31] R. A. Jacobs, M. I. Jordan, S. J. Nowlan, and G. E. Hinton. Adaptive mixtures of local experts. *Neural Computing*, 1991.

Appendix

A Mixed Effect Composite Gaussian Processes

In previous model (2), knowledge sharing across patients is achieved only through the mean function. In order to investigate the effect of sharing covariance function, we consider the following generalization which we name as Mixed Effect Composite Gaussian Processes:

$$\begin{aligned}g(\mathbf{x}_t) &\sim \mathcal{GP}(\mu(\mathbf{h}_t), k_g(\mathbf{h}_t, \mathbf{h}_{t'})) \\l^{(i)}(\mathbf{x}_t) &\sim \mathcal{GP}(0, k^{(i)}(\mathbf{h}_t, \mathbf{h}_{t'}))\end{aligned}$$

which is equivalent to

$$f^{(i)}(\mathbf{x}_t) \sim \mathcal{GP}\left(\mu(\mathbf{h}_t), k_g(\mathbf{h}_t, \mathbf{h}_{t'}) + k^{(i)}(\mathbf{h}_t, \mathbf{h}_{t'})\right) \quad (7)$$

given that g and $l^{(i)}$ are independent random variables. Therefore, the previous composite RNN-GP model (2) can be understood as the special case of (7) where the covariance function in the shared component k_g uniformly approaches to zero.

Many existing baselines, against which we compare our model in experiments, can be expressed within this framework (7). We can first consider the cases with a single global component:

$$f^{(i)}(\mathbf{x}_t) \sim \mathcal{GP}(\mu(\mathbf{h}_t), 0) \quad (8)$$

$$f^{(i)}(\mathbf{x}_t) \sim \mathcal{GP}(0, k_g(\mathbf{h}_t, \mathbf{h}_{t'})) \quad (9)$$

These models (called “one-model-fits-all”) do not care about local variability from various patients. The typical examples of the models are RNN for (8) and Deep Kernel Gaussian Process (DKGP) [21] for (9) (where they have multiple GPs but with a single parameter to optimize). At the other extreme, we can also think of naïve formulation with personalized GPs only: $f^{(i)}(\mathbf{x}_t) \sim \mathcal{GP}(0, k^{(i)}(\mathbf{h}_t, \mathbf{h}_{t'}))$. It is also instructive to consider the case of standard multi-task GPs [13] in our framework. Considering the marginal of the full Gaussian distribution, each patient model can be shown to be

$$f^{(i)}(\mathbf{x}_t) \sim \mathcal{GP}(0, k_l^{(i)} k_g(\mathbf{h}_t, \mathbf{h}_{t'})). \quad (10)$$

where the shared and individual covariance terms are multiplied rather than summed. However, note that this formulation makes the model performing inference intractable constructing huge covariance matrix.

B Global Component as a Mixture of Experts

A mixture of experts model [31] is built upon the assumption that complex problems may contain many sub-problems which can be efficiently resolved by assigning each sub-problem to certain expert which is good at solving it.

We hypothesize that the global mean function $\mu(\cdot)$ can be divided into several experts since the patients can be clustered into similar groups. For example, the patients can be clustered into the groups having different range of ages or different range of where they live. Hence, we posit

$$\mu(\mathbf{x}_t) = \sum_j g(j|\mathbf{x}_t) \mu_j(\mathbf{x}_t) \quad (11)$$

where $g(\cdot)$ is a gate function for which the sum of probability to choose a certain expert is one, and $\mu_j(\cdot)$ is an expert in charge of some portion of input space.

C Further Experiments on Disease Risk Prediction Task

C.1 Data Statistics

Data statistics on our private datasets from EHR are given in Table 4.

Table 4: Number of patients (P) and total samples for each disease. Maximum, minimum, and average time steps for the patient are 12, 3, and 6.7 respectively.

DISEASES	P	TOTAL SAMPLES
ALCOHOLIC FATTY LIVER	1,593	11,050
ATHEROSCLEROSIS	6,953	46,206
EMPHYSEMA	1,513	9,978
LIVER CIRRHOSIS	2,246	15,228
ALCOHOLIC HEPATITIS	1,118	7,537
ARRHYTHMIA	364	2,432
FATTY LIVER	9,273	62,938
HEART FAILURE	5,018	32,465
HEPATIC FAILURE	446	2,968
HEPATITIS B	450	3,001
MYOCARDIAL INFARCTION	1,926	12,967
TOXIC LIVER DISEASE	2,027	13,638

Table 5: Performance (AUC) comparisons among mixture models. MIX1, 2, 4 have experts 1, 2, 4 numbers respectively.

DISEASES	MIX1	MIX2	MIX4
ALCOHOLIC FATTY LIVER	0.801	0.801	0.798
ATHEROSCLEROSIS	0.74	0.744	0.735
EMPHYSEMA	0.742	0.782	0.799
LIVER CIRRHOSIS	0.922	0.920	0.919
ALCOHOLIC HEPATITIS	0.852	0.838	0.868
ARRHYTHMIA	0.74	0.723	0.823
FATTY LIVER	0.731	0.732	0.732
HEART FAILURE	0.759	0.78	0.766
HEPATIC FAILURE	0.738	0.734	0.619
HEPATITIS B	0.489	0.464	0.531
MYOCARDIAL INFARCTION	0.826	0.854	0.81
TOXIC LIVER DISEASE	0.698	0.697	0.678

C.2 Mixture Model as a Global Component

We also evaluate mixture models having various number of experts as a global mean function. In particular, we consider the cases of being 1, 2, 4 number of experts. We use MLP with one hidden layer as an expert (here a part of a global mean function) and softmax classifier as a gate function. As mentioned in Section B, instead of having a single mean function we can use a mixture of experts to model the mean function, as patients could be divided into several precision cohorts. We present the experiments on this mixture of experts in Table 5. The results show that this mixture of experts can be effective for certain types of diseases, such as Arrhythmia and Hepatitis B, while further investigation is required to see how the cohorts are formed.

C.3 Experiments on Specific Set of Patients

We further evaluate AUC of the models in case when we exclude patients who had all 0 labels before T_i . That is, $y_1^{(i)} = \dots = y_{T_i-1}^{(i)} = 0$ and $y_{T_i}^{(i)} = 1$, which means that the patient is diagnosed as having a disease for the first time at T_i . We conduct this experiment to see how much increase in test AUC the models can achieve when excluding those difficult instances. AUC scores in this experiment are obtained with the model with best-fit hyper-parameters. The results in Table 7 show that MECGP is able to perform almost perfect prediction of all diseases by learning individual properties of patients by observing and learning with both positive and negative labels when training with individual GPs. Average performance gain using our model over others is 30.3%, and the amount of maximum possible gain is 67.5%. On the other hand, if we only include the patients we described above, the performance of our model is not much differences from those of other models, since there is no chance of learning various properties from individual patient since there are only non-diagnosed ($y_t^{(i)} = 0$) features trained. The performance comparisons for this task is shown in Table 6.

Table 6: Performance (AUC) comparisons when only including specific testing patients.

DISEASES	MECGP	RNN	RETAIN
A. FATTY LIVER	0.755	0.78	0.767
ATHEROSCLEROSIS	0.691	0.653	0.676
EMPHYSEMA	0.783	0.754	0.734
LIVER CIRRHOSIS	0.837	0.828	0.817
ALCOHOLIC HEPATITIS	0.798	0.809	0.75
ARRHYTHMIA	0.591	0.453	0.678
FATTY LIVER	0.653	0.674	0.665
HEART FAILURE	0.734	0.768	0.766
HEPATIC FAILURE	0.666	0.621	0.617
HEPATITIS B	0.547	0.62	0.722
M. INFARCTION	0.79	0.783	0.781
TOXIC LIVER DISEASE	0.618	0.635	0.643

Table 7: Performance (AUC) comparisons when excluding specific testing patients.

DISEASES	MECGP	RNN	RETAIN
A. FATTY LIVER	0.998	0.856	0.861
ATHEROSCLEROSIS	1	0.683	0.768
EMPHYSEMA	0.991	0.785	0.765
LIVER CIRRHOSIS	0.989	0.928	0.922
ALCOHOLIC HEPATITIS	0.981	0.881	0.866
ARRHYTHMIA	0.992	0.639	0.656
FATTY LIVER	0.996	0.741	0.742
HEART FAILURE	0.983	0.853	0.849
HEPATIC FAILURE	1	0.584	0.634
HEPATITIS B	1	0.695	0.491
M. INFARCTION	0.982	0.943	0.944
TOXIC LIVER DISEASE	1	0.593	0.597

D Uncertainty Representation of MECGP

Our model (MECGP) can reliably represent prediction uncertainties which is crucial in mission-critical clinical tasks. We present uncertainty tendency for a random patient in disease risk prediction task as an example in Figure 3.

E Optimization Algorithm for MECGP

We present an algorithm in Algorithm 1 that optimizes two sets of hyper-parameters w and $\{\theta_i\}_{i=1}^P$ in an alternating fashion.

Algorithm 1 Optimization of MECGP

Input: $\{X_i, y_i, \theta_i\}_{i=1}^P, w$

repeat

Update w based on the gradients $\frac{\partial \mathcal{L}}{\partial w} = \sum_{i=1}^P \left[\left(\frac{\partial \mathcal{L}_i}{\partial K_i} \sum_{t=1}^{T_i} \frac{\partial K_i}{\partial h_t} \frac{\partial h_t}{\partial w} \right) + \left(\sum_{t=1}^{T_i} \frac{\partial \mathcal{L}_i}{\partial \mu_t} \frac{\partial \mu_t}{\partial w} \right) \right]$.

for $i = 1$ **to** P **do**

Update θ_i based on the gradients $\frac{\partial \mathcal{L}}{\partial \theta_i} = \frac{\partial \mathcal{L}_i}{\partial K_i} \frac{\partial K_i}{\partial \theta_i}$.

end for

until Convergence

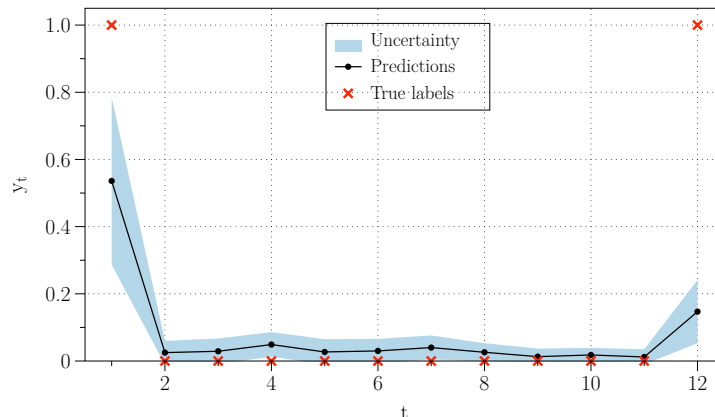


Figure 3: Uncertainty representation of MECGP for a random patient.