

# ON THE BOUNDARY AND GLOBAL BEHAVIOR OF MAPPINGS OF RIEMANNIAN SURFACES

EVGENY SEVOST'YANOV

November 27, 2024

## Abstract

In this article, we study non-homeomorphic mappings of Riemannian surfaces of the Sobolev class. We have established estimates for the distortion of the modulus of families of paths, and as a consequence, we obtained results on the boundary behavior of such mappings between domains of Riemannian surfaces.

**2010 Mathematics Subject Classification:** Primary 30C65; Secondary 32U20, 31B15

## 1 Introduction

One of the main problems of modern analysis is the extension of mappings to the boundary of a domain. There are a number of results on this topic related, in particular, to the theory of quasiconformal mappings and their generalizations, see [1]–[12]. Among the listed papers, we note the fundamental assertion of Näkki, see [1, Theorem 2.4] (see also [2, Theorem 17.15])

**Theorem (on the extension of quasiconformal mappings to the boundary).** *Let  $D, D'$  be domains in  $\mathbb{R}^n$ ,  $n \geq 2$ , and let  $f$  be a quasiconformal mapping of  $D$  onto  $D'$ . Suppose that  $D$  is locally connected on its boundary, and  $\partial D'$  is quasiconformally accessible. Then  $f$  has a continuous extension  $\bar{f} : \bar{D} \rightarrow \bar{\mathbb{R}}^n$ .*

This result was developed in a number of papers by other authors. First of all, Srebro and Vuorinen extended Näkki's theorem to quasiregular mappings, see [3, Theorem 4.2] and [4, Theorem 4.10.II]. More recently, Martio, Ryazanov, Srebro and Yakubov, as well as Ignat'ev and Ryazanov obtained results on the boundary extension of homeomorphisms with unbounded characteristic, see [5, Lemma 5.16] and [6, Lemma 2.1, Corollary 2.1]. Later they were carried over to Riemannian manifolds and metric measure spaces (see, e.g. [7], [9], [10] and [11]).

Let us now dwell on the recent results of Ryazanov and Volkov [12]. Here the authors proposed an approach that allows one to study the boundary behavior of Sobolev classes acting between two Riemannian surfaces. It should be noted that the paper [12] contains important results in this direction, however, they all concern only homeomorphisms. In our opinion, it would be important to describe the boundary behavior of similar mappings with branching, and this problem is largely solved in this article. As in [12], the main research tool is the modulus method. To a large extent, our publication is devoted to the development of the modulus method and the identification of fundamental opportunities of this method in this context.

Conventionally, the paper may be divided into three parts: establishing an estimate for the distortion of the modulus of families of curves, §§ 2 and 3; boundary behavior of mappings, § 4; local the behavior of the mappings (at the inner points of the domain) and the global behavior of the mappings (at the inner and boundary points of the domain), §§ 5–6. In the last sections, homeomorphisms and mappings with branching are studied separately, since the corresponding results have been proved under various conditions and are new in both cases.

Here are some definitions. A *Riemannian surface* is a two-dimensional manifold with a countable base in which transition maps between corresponding maps are conformal, see, e.g., [12]. The Riemannian surface  $\mathbb{S}$  considered below will be assumed to be a *of hyperbolic type*, that is, a surface conformally equivalent to the unit disk  $\mathbb{D} = \{z \in \mathbb{C} : |z| < 1\}$  with "glued" points (see [13, §6, Section 1]). In other words, we consider those and only those Riemannian surfaces that are conformally equivalent to the factor space  $\mathbb{D}/G$ , where  $G$  is some group of linear fractional automorphisms of the unit disk that has no fixed points and acts discontinuously in  $\mathbb{D}$ . Recall that each element  $p_0$  of the factor space  $\mathbb{D}/G$  is an *orbit* of the point  $z_0 \in \mathbb{D}$ , that is,  $p_0 = \{z \in \mathbb{D} : z = g(z_0), g \in G\}$ . In what follows we identify the Riemannian surface  $\mathbb{S}$  with its factor representation  $\mathbb{D}/G$  in terms of some group  $G$  of linear fractional mappings  $g : \mathbb{D} \rightarrow \mathbb{D}$ .

In what follows, we use the *hyperbolic metric* on the unit disk  $\mathbb{D}$  defined by the equalities

$$h(z_1, z_2) = \log \frac{1+t}{1-t}, \quad t = \frac{|z_1 - z_2|}{|1 - z_1 \bar{z}_2|}, \quad (1.1)$$

as well as the *hyperbolic area* of the set  $S \subset \mathbb{D}$  and the *length* of the path  $\gamma : [a, b] \rightarrow \mathbb{D}$ , which are given, respectively, by the relations

$$h(S) = \int_S \frac{4 dm(z)}{(1 - |z|^2)^2}, \quad s_h(\gamma) = \int_\gamma \frac{2 |dz|}{1 - |z|^2}, \quad z = x + iy \quad (1.2)$$

(see [12, (2.4), (2.5)]). It is easy to verify by direct calculations that the hyperbolic metric, length, and area are invariant under linear fractional mappings of the unit disk onto itself.

In what follows, for a point  $y_0 \in \mathbb{D}$  and a number  $r \geq 0$ , we define the *hyperbolic disk*  $B_h(y_0, r)$  and the *hyperbolic circle*  $S_h(y_0, r)$  by means of equalities

$$B_h(y_0, r) := \{y \in \mathbb{D} : h(y_0, y) < r\}, \quad S_h(y_0, r) := \{y \in \mathbb{D} : h(y_0, y) = r\}. \quad (1.3)$$

We perform the metrization of the surface  $\mathbb{D}/G$  as follows. If  $p_1, p_2 \in \mathbb{D}/G$ , we put

$$\tilde{h}(p_1, p_2) := \inf_{g_1, g_2 \in G} h(g_1(z_1), g_2(z_2)), \quad (1.4)$$

where  $p_i = G_{z_i} = \{\xi \in \mathbb{D} : \exists g \in G : \xi = g(z_i)\}$ ,  $i = 1, 2$ . In the latter case, the set  $G_{z_i}$  will be called the *orbit* of the point  $z_i$ , and  $p_1$  and  $p_2$  will be called the *orbits* of the points  $z_1$  and  $z_2$ , respectively. Note that  $\tilde{h}$  is a metric on  $\mathbb{D}/G$  (see Section 2 in [12]).

Everywhere below,  $\mathbb{S} = \mathbb{D}/G$  and  $\mathbb{S}_* = \mathbb{D}/G_*$  are two different Riemannian surfaces of a hyperbolic type. In what follows, we do not distinguish between the original Riemannian surface  $\mathbb{S}$  and its factor representation  $\mathbb{D}/G$ . A continuous extension of the mapping  $f : D \rightarrow D_*$  to a point  $f : D \rightarrow D_*$   $p_0 \in \overline{D}$ , as well as other concepts related to limit, continuity, topology, etc., are understood in the sense of the metric spaces  $(\mathbb{D}/G, \tilde{h})$  and  $(\mathbb{D}/G_*, \tilde{h}_*)$ , where  $\tilde{h}$  and  $\tilde{h}_*$  are metrics defined in (1.4). The elements of length and area on the surfaces  $\mathbb{S}$  and  $\mathbb{S}_*$  are denoted  $ds_{\tilde{h}}$ ,  $d\tilde{h}$  and  $ds_{\tilde{h}_*}$ ,  $d\tilde{h}_*$ , respectively.

Let  $D$  and  $D_*$  be domains on Riemannian surfaces  $\mathbb{S}$  and  $\mathbb{S}_*$ , respectively. A mapping  $f : D \rightarrow D_*$  is called *discrete* if the preimage  $f^{-1}(y)$  of any point  $y \in D_*$  consists of isolated points only. A mapping  $f : D \rightarrow D_*$  is called *open* if the image of any open set  $U \subset D$  is an open set in  $D_*$ . The definition of mappings of the Sobolev class  $W_{\text{loc}}^{1,1}$  on a Riemannian surface can be found, for example, in [12]. In further, for mappings  $f : D \rightarrow D_*$  of a class  $W_{\text{loc}}^{1,1}$  in local coordinates  $f_{\bar{z}} = (f_x + if_y)/2$  and  $f_z = (f_x - if_y)/2$ ,  $z = x + iy$ . In addition, the *norm* and the *Jacobian* of the mapping of  $f$  in local coordinates are expressed, respectively, by the equalities  $\|f'(z)\| = |f_z| + |f_{\bar{z}}|$  and  $J_f(z) = |f_z|^2 - |f_{\bar{z}}|^2$ . A *dilatation* of the mapping  $f$  at a point  $z$  is defined by the relation

$$K_f(z) = \frac{|f_z| + |f_{\bar{z}}|}{|f_z| - |f_{\bar{z}}|} \quad (1.5)$$

for  $J_f(z) \neq 0$ ,  $K_f(z) = 1$  for  $\|f'(z)\| = 0$  and  $K_f(z) = \infty$  otherwise. It is easy to verify by direct calculations that  $K_f(z)$  does not depend on local coordinates. A mapping  $f : D \rightarrow D_*$  is called a *mapping with finite distortion*, if  $f \in W_{\text{loc}}^{1,1}(D)$  and, in addition, there is almost everywhere a finite function  $K(z)$  such that  $\|f'(z)\|^2 \leq K(z) \cdot J_f(z)$  for almost all  $z \in D$ .

As usual, a path  $\gamma$  on the Riemannian surface  $\mathbb{S}$  is defined as a continuous mapping  $\gamma : I \rightarrow \mathbb{S}$ , where  $I$  is a finite segment, an interval or a half-interval of a real axis. Let  $\Gamma$  be a family of paths in  $\mathbb{S}$ . A Borel function  $\rho : \mathbb{S} \rightarrow [0, \infty]$  is called *admissible* for the family  $\Gamma$  of paths  $\gamma$ , if  $\int_{\gamma} \rho(p) ds_{\tilde{h}}(p) \geq 1$  for any path  $\gamma \in \Gamma$ . The latter is briefly written in the form:  $\rho \in \text{adm } \Gamma$ . A *modulus* of the family  $\Gamma$  is a real-valued function

$$M(\Gamma) := \inf_{\rho \in \text{adm } \Gamma} \int_{\mathbb{S}} \rho^2(p) d\tilde{h}(p).$$

To avoid confusion, we introduce separately the notation for the modulus of the family  $\Gamma$  in the Euclidean sense, namely, put

$$M_e(\Gamma) := \inf_{\rho \in \text{adm}_e \Gamma} \int_{\mathbb{D}} \rho^2(z) dm(z),$$

where  $\rho \in \text{adm}_e \Gamma$  if and only if  $\int_{\gamma} \rho(z) |dz| \geq 1$  for any (locally rectifiable) path  $\gamma \in \Gamma$ .

Let  $D$  and  $D_*$  be given domains lying in the Riemannian surfaces  $\mathbb{S}$  and  $\mathbb{S}_*$ , respectively. Given a mapping  $f : D \rightarrow D_*$ , a set  $E \subset D$  and  $y \in D_*$ , we define a *multiplicity function*  $N(y, f, E)$  as the number of preimages of the point  $y$  in  $E$ , that is

$$N(y, f, E) = \text{card} \{p \in E : f(p) = y\}, \quad N(f, E) = \sup_{y \in \mathbb{S}_*} N(y, f, E). \quad (1.6)$$

We say that the function  $\rho : \mathbb{S} \rightarrow [0, \infty]$  measurable with respect to the area  $\tilde{h}$  is *extensively admissible* for the family  $\Gamma$ , abbr.  $\rho \in \text{ext adm } \Gamma$ , if the inequality  $\int_{\gamma} \rho ds_{\tilde{h}}(p) \geq 1$  is satisfied for all locally rectifiable paths  $\gamma \in \Gamma \setminus \Gamma_0$ , where  $M(\Gamma_0) = 0$ .

The next class of mappings is related to the Gehring ring definition of quasiconformality (see [14]) and is necessary from a technical point of view. Its definition includes a distortion of the modulus of families of paths in such a way as is necessary to solve the corresponding problems of interest to us. Let  $D$  and  $D_*$  be domains lying in the Riemannian surfaces  $\mathbb{S}$  and  $\mathbb{S}_*$ , respectively, and  $Q : D \rightarrow (0, \infty)$  be a measurable function with respect to the measure  $\tilde{h}$  on  $\mathbb{S}$ . We say that  $f : D \rightarrow D_*$  is a *lower  $Q$ -mapping* at a point  $p_0 \in \overline{D}$ , if for some  $\varepsilon_0 = \varepsilon_0(p_0) > 0$ ,  $\varepsilon_0 < d_0 = \sup_{p \in D} \tilde{h}(p, p_0)$ , and any ring  $\tilde{A}(p_0, \varepsilon, \varepsilon_0) = \{p \in \mathbb{S} : \varepsilon < \tilde{h}(p, p_0) < \varepsilon_0\}$  the inequality

$$M(f(\Sigma_\varepsilon)) \geq \inf_{\rho \in \text{ext adm } \Sigma_\varepsilon} \int_{D \cap \tilde{A}(p_0, \varepsilon, \varepsilon_0)} \frac{\rho^2(p)}{Q(p)} d\tilde{h}(p) \quad (1.7)$$

holds, where  $\Sigma_\varepsilon$  denotes the family of all intersections of circles  $\tilde{S}(p_0, r) = \{p \in \mathbb{S} : \tilde{h}(p, p_0) = r\}$  with  $D$ ,  $r \in (\varepsilon, \varepsilon_0)$  (see [8, Chapter 9]).

The next assertion contains a fundamental estimate for the distortion of families of paths in Sobolev classes (see also [12, Lemma 3.1] and [15, Lemma 3.1] in this regard). Further studies related to the boundary behavior and equicontinuity of mappings are based on estimates of such a plan (see paragraphs 4–6).

**Theorem 1.1.** *Let  $D$  and  $D_*$  be domains of Riemannian surfaces  $\mathbb{S}$  and  $\mathbb{S}_*$ , respectively,  $\overline{D}_*$  is compact in  $\mathbb{S}_*$  and  $p_0 \in \overline{D}$ . Then any open discrete mapping  $f : D \rightarrow D_*$  of finite distortion of the class  $W_{\text{loc}}^{1,1}$  such that  $N(f, D) < \infty$  satisfies (1.7) at  $p_0$  for  $Q(p) = c \cdot N(f, D) \cdot K_f(p)$ , where  $K_f(p)$  is defined by the relation (1.5), the function  $N(f, D)$  is given in (1.6), and  $c > 0$  is some constant depending only on the point  $p_0$  and the domain  $D_*$ .*

Let us now formulate the main result of the article concerning the continuous boundary extension of mappings. Let  $E, F \subset \mathbb{S}$  be arbitrary sets. In the future, everywhere by  $\Gamma(E, F, D)$  we denote the family of all paths  $\gamma : [a, b] \rightarrow D$ , which join  $E$  and  $F$  in  $D$ , that is,  $\gamma(a) \in E$ ,  $\gamma(b) \in F$  and  $\gamma(t) \in D$  for  $t \in (a, b)$ . Let us agree to say that the boundary  $\partial G$  of the domain  $G$  is *strongly accessible at the point*  $p_0 \in \partial G$  if for each neighborhood  $U$  of  $p_0$  there is a compactum  $E \subset G$ , a neighborhood  $V \subset U$  of the same point and a number  $\delta > 0$  such that  $M(\Gamma(E, F, G)) \geq \delta$  for any continua  $E$  and  $F$  intersecting both  $\partial U$ , and  $\partial V$ . We will also say that a boundary  $\partial G$  is *strongly accessible* if it is strongly accessible at each

of its points. Note that, for an open closed mapping  $f : D \rightarrow D_*$ , the following condition holds:  $N(f, D) < \infty$  (see [16, Theorem 5.5]).

A mapping  $f : D \rightarrow \mathbb{C}$ ,  $D \subset \mathbb{C}$ , is called *quasiconformal* if  $f$  is a homeomorphism and, moreover, there is a constant  $K \geq 1$  such that  $M_e(f(\Gamma)) \leq K \cdot M_e(\Gamma)$  for any family of paths  $\Gamma$  in  $D$ . We say that the boundary of a domain  $D$  in  $\mathbb{S}$  is *locally quasiconformal* if each point  $p_0 \in \partial D$  has a neighborhood  $U$  in  $\mathbb{S}$ , which can be mapped by a quasiconformal mapping  $\psi$  onto the unit disk  $\mathbb{D} \subset \mathbb{C}$  so that  $\psi(\partial D \cap U)$  is the intersection of  $\mathbb{D}$  with the straight line  $x = 0$ , where  $z = x + iy \in \mathbb{D}$ . The most important result of this article can be formulated as follows.

**Theorem 1.2.** *Let  $D$  and  $D_*$  be domains on the Riemannian surfaces  $\mathbb{S}$  and  $\mathbb{S}_*$ , respectively, let  $\overline{D_*}$  be a compactum in  $\mathbb{S}_*$ , let  $p_0 \in \partial D$  and let  $Q : \mathbb{S} \rightarrow (0, \infty)$  be a measurable function with respect to the measure  $\tilde{h}$ ,  $Q(p) \equiv 0$  in  $\mathbb{S} \setminus D$ . Let also  $f : D \rightarrow D_*$  be an open discrete closed  $W_{\text{loc}}^{1,1}$ -mapping with a finite distortion of  $D$  onto  $D_*$  such that  $K_f(p) \leq Q(p)$  for almost all  $p \in D$ . Suppose that the domain  $D$  has a locally quasiconformal boundary, and the boundary of the domain  $D_*$  is strongly accessible. If the relations*

$$\int_{\varepsilon}^{\varepsilon_0} \frac{dt}{\|Q\|(t)} < \infty, \quad \int_0^{\varepsilon_0} \frac{dt}{\|Q\|(t)} = \infty, \quad (1.8)$$

hold for some  $\varepsilon_0 > 0$  and any  $\varepsilon \in (0, \varepsilon_0)$ , then  $f$  has a continuous extension to  $p_0$ . Here

$$\|Q\|(r) := \int_{\tilde{S}(p_0, r)} Q(p) ds_{\tilde{h}}(p)$$

denotes  $L_1$ -norm of the function  $Q$  over the circle  $\tilde{S}(p_0, r)$ .

## 2 Preliminaries

Let us start the section with the next most important Remark.

**Remark 2.1.** Following [17, § 7.2], the hyperbolic distance  $h(z_1, z_2)$  in the unit disk [17, § 7.2],  $\mathbb{D}$  can be equivalently is defined as inf of hyperbolic lengths of all piecewise smooth paths joining the points  $z_1, z_2$ . Note that the indicated inf is calculated and is exactly equal to the right-hand side in (1.1) (see [17, theorem 7.2.1, relation (7.2.5)]).

If we define the length  $l(\gamma)$  of the path  $\gamma : [a, b] \rightarrow \mathbb{D}$  by the equality

$$l(\gamma) := \sup_{\pi} \sum_{k=0}^n h(\gamma(t_k), \gamma(t_{k+1})), \quad (2.1)$$

where  $h$  is from (1.1), and  $\pi = \{a = t_0 \leq t_1 \leq t_2 \leq \dots \leq t_n = b\}$ , then  $l(\gamma) = s_h(\gamma)$  for absolutely continuous paths.

The proof of this fact can be carried out similarly to [2, Theorem 1.3], and therefore goes down. Further, for the rectifiable path  $\gamma : [a, b] \rightarrow \mathbb{D}$  there is a unique normal representation

$\gamma_0 : [0, l(\gamma)] \rightarrow \mathbb{D}$  such that  $\gamma_0(s(t)) = \gamma(t)$  for any  $t \in [a, b]$ , where  $s(t)$  is the length of the path  $\gamma$  on the segment  $[a, t]$  (see, for example, [18, Sec. 7.1] or [2, Sec. 2]). If the path is only locally rectifiable, then  $l(\gamma) = \infty$  and, accordingly,  $\gamma_0 : [0, \infty) \rightarrow \mathbb{D}$ ,  $\gamma_0(s(t)) = \gamma(t)$  for any  $t \in [a, b]$ . Let  $\rho : \mathbb{D} \rightarrow \mathbb{R}$  be a nonnegative Borel function. Then the integral from  $\rho$  over the (locally rectifiable) path  $\gamma$  can be defined by equality

$$\int_{\gamma} \rho(x) ds_h(x) = \int_0^{l(\gamma)} \rho(\gamma_0(s)) ds. \quad (2.2)$$

Observe that, the integral in (2.2) coincides with

$$\int_{\gamma} \rho(z) \frac{2|dz|}{1-|z|^2} = \int_a^b \frac{2\rho(\gamma(t)) |\gamma'(t)|}{1-|\gamma(t)|^2} dt$$

for absolutely continuous path  $\gamma$  (see [19, Corollary 2.1]).

It should be noted that the normal representation of  $\gamma_0(s)$  by an arbitrary locally rectifiable path  $\gamma(t)$  is trivial locally absolutely continuous with respect to its natural parameter  $s \in [0, l(\gamma)]$  ( $s \in [0, l(\gamma))$ , if  $l(\gamma) = \infty$ ). In particular,

$$\int_0^{l(\gamma)} \rho(\gamma_0(s)) ds = \int_0^{l(\gamma)} \frac{2\rho(\gamma_0(s)) |\gamma_0'(s)|}{1-|\gamma_0(s)|^2} ds.$$

In view of the above, we will not distinguish between the length of the path (integral over it) in (2.1)–(2.2) and in (1.2), respectively.

In order to simplify research, we introduce into consideration the so-called *fundamental set*  $F$ . We define it as a subset of  $\mathbb{D}$ , containing one and only one point of the orbit  $z \in G_{z_0}$  (see [17, §9.1, Ch. 9]). A *fundamental domain*  $D_0$  is a domain in  $\mathbb{D}$  with the property  $D_0 \subset F \subset \overline{D_0}$  such that  $h(\partial D_0) = 0$  (see *ibid*). The existence of fundamental sets and fundamental domains is justified by the presence of their examples, the most important of which is *Dirichlet polygon*,

$$D_{\zeta} = \bigcap_{g \in G, g \neq I} H_g(\zeta), \quad (2.3)$$

where  $H_g(\zeta) = \{z \in \mathbb{D} : h(z, \zeta) < h(z, g(\zeta))\}$  (see [12, relation (2.6)]). Let  $\pi$  be the natural projection of  $\mathbb{D}$  onto  $\mathbb{D}/G$ , then  $\pi$  is an analytic function conformal on  $D_0$  (see also [17, Proposition 9.2.2] and comments after (2.11) in [12]). Note, in addition, that there is a one-to-one correspondence between the points of  $F$  and  $\mathbb{D}/G$ . For  $z_1, z_2 \in F$  we put

$$d(z_1, z_2) := \tilde{h}(\pi(z_1), \pi(z_2)), \quad (2.4)$$

where  $\tilde{h}$  is defined in (1.4). Observe that  $d(z_1, z_2) \leq h(z_1, z_2)$  and, moreover, for any compactum  $A \subset \mathbb{D}$  there is  $\delta = \delta(A) > 0$  such that

$$d(z_1, z_2) = h(z_1, z_2), \quad \forall z_1, z_2 \in A : h(z_1, z_2) < \delta, \quad (2.5)$$

see e.g. [19, Lemma 2.3].

Note that the metric space  $(F, d)$  is homeomorphic to  $(\mathbb{D}/G, \tilde{h})$ . Define the elements of length and volume on  $(F, d)$  according to the relations (1.2), in addition, we also define the elements  $ds_{\tilde{h}}$  and  $d\tilde{h}$  of length and area on the surface  $\mathbb{S}$ , respectively as the elements  $ds_h$  and  $dh$  in their respective local coordinates. These local coordinates can be, in particular, fundamental domains  $D_0$  in  $\mathbb{D}$ . Due to  $d(z_1, z_2) \leq h(z_1, z_2)$  and (2.5), the lengths of the paths in the metrics  $h$  and  $d$  of the domain  $D_0$  coincide.

Here and below,  $B(z_0, r)$  and  $S(z_0, r)$  denote the Euclidean disk and a circle on a plane centered at the point  $z_0 \in \mathbb{C}$  and of a radius  $r > 0$ , respectively. Let  $p_0 \in \mathbb{S}$  and  $z_0 \in \mathbb{D}$  be such that  $\pi(z_0) = p_0$ , where  $\pi$  is the natural projection of  $\mathbb{D}$  onto  $\mathbb{D}/G$ . Denote by  $D_0$  the Dirichlet polygon centered at the point  $z_0$ , and put  $\varphi := \pi^{-1}$ . Note that the mapping  $\varphi$  is a homeomorphism of  $(\mathbb{S}, \tilde{h})$  onto  $(F, d)$ , where  $\tilde{h}$  is a metric on the surface  $\mathbb{S}$ , a  $d$  is the above-defined metric on the fundamental set  $F$ ,  $D_0 \subset F \subset \overline{D_0}$ . Without loss of generality, we may also assume that  $z_0 = 0$ . Indeed, otherwise consider an auxiliary mapping  $g_0(z) = (z - z_0)/(1 - z\bar{z}_0)$ , having no fixed points inside the unit disk. Then, if  $G$  is a group of linear fractional maps corresponding to the surface  $\mathbb{S}$ , then  $G' = \{g_0 \circ g, g \in G\}$ , obviously also corresponds to  $\mathbb{S}$  in the sense that the surface  $\mathbb{S}$  is again conformally equivalent to the factor space  $\mathbb{D}/G'$ . Choose a compact neighborhood  $V \subset \mathbb{D}$  of the point  $0 \in F \subset \mathbb{D}$ , such that  $d(x, z) = h(x, z)$  for all  $x, z \in V$ , which is possible due to condition (2.5). In addition, we choose  $V$  so that  $V \subset B(0, r_0)$  for some  $0 < r_0 < 1$ . Put  $U := \pi(V)$ . In this case, the neighborhood  $U$  is called *a normal neighborhood of the point  $p_0$* . Note that the ball  $\tilde{B}(p_0, r) \subset U$  corresponds to the set  $B_h(0, r) \subset \mathbb{C}$ , more precisely,

$$\begin{aligned} \tilde{B}(p_0, r) &:= \{p \in \mathbb{S} : \tilde{h}(p, p_0) < r\} = \{p \in \mathbb{S} : h(\varphi(p), 0) < r\} = \\ &= \left\{ p \in \mathbb{S} : |\varphi(p)| < \frac{e^r - 1}{e^r + 1} \right\} = \pi \left( B \left( 0, \frac{e^r - 1}{e^r + 1} \right) \right), \end{aligned} \quad (2.6)$$

where  $h$  is a hyperbolic metric, see (1.1). Similarly,

$$\begin{aligned} \tilde{S}(p_0, r) &:= \{p \in \mathbb{S} : \tilde{h}(p, p_0) = r\} = \\ &= \left\{ p \in \mathbb{S} : |\varphi(p)| = \frac{e^r - 1}{e^r + 1} \right\} = \pi \left( S \left( 0, \frac{e^r - 1}{e^r + 1} \right) \right). \end{aligned} \quad (2.7)$$

Throughout what follows, the normal neighborhood  $U$  of the point  $p_0$ , as well as the mapping  $\varphi$  and the fundamental set  $F$ , we will considered selected and fixed. The following analogue of Fubini's theorem for Riemannian surfaces holds.

**Lemma 2.1.** *Let  $U$  be some normal neighborhood of the point  $p_0 \in \mathbb{S}$ , and let  $Q : U \rightarrow [0, \infty]$  be a function measurable with respect to the measure  $\tilde{h}$ , and  $d_0 := \text{dist}(p_0, \partial U) := \inf_{p \in \partial U} \tilde{h}(p_0, p)$ . Then, for any  $0 < r_0 \leq d_0$*

$$\int_{\tilde{B}(p_0, r_0)} Q(p) d\tilde{h}(p) = \int_0^{r_0} \int_{\tilde{S}(p_0, r)} Q(p) ds_{\tilde{h}}(p) dr, \quad (2.8)$$

where  $d\tilde{h}(p)$  and  $ds_{\tilde{h}}$  are area and length elements on  $\mathbb{S}$ , respectively, see (1.2), and the disk  $\tilde{B}(p_0, r_0)$  and the circle  $\tilde{S}(p_0, r)$  are defined in (2.6) and (2.7).

The assertion of Lemma 2.1 includes the measurability of  $\psi(r) := \int_{\tilde{S}(p_0, r)} Q(p) ds_{\tilde{h}}(p)$  with respect to  $r$  on the right-hand side of the integral in (2.8).

*Proof.* According to the definition of a normal neighborhood, the ball  $\tilde{B}(p_0, r_0) \subset \mathbb{S}$  corresponds to the ball  $B_h(0, r_0) \subset F$  in the hyperbolic metric  $h$ . Taking into account the relation (2.6),  $B_h(0, r_0) = B(0, \frac{e^{r_0}-1}{e^{r_0}+1})$ . By definition

$$\int_{\tilde{B}(p_0, r_0)} Q(p) d\tilde{h}(p) = 4 \int_{B(0, \frac{e^{r_0}-1}{e^{r_0}+1})} \frac{Q(\pi(z))}{(1-|z|^2)^2} dm(z). \quad (2.9)$$

We use the classical Fubini theorem on the plane (see, for example, [20, Theorem 2.6.2] or [21, Theorem 8.1.III]). Using polar coordinates and applying this theorem, we will have that

$$\begin{aligned} I &= 4 \int_0^{\frac{e^{r_0}-1}{e^{r_0}+1}} \int_{S(0, r)} \frac{Q(\pi(z))}{(1-|z|^2)^2} |dz| dr = \\ &= 2 \int_0^{\frac{e^{r_0}-1}{e^{r_0}+1}} \frac{1}{1-r^2} \int_{S(0, r)} \frac{2Q(\pi(z))}{1-|z|^2} |dz| dr. \end{aligned} \quad (2.10)$$

The last relation takes into account that the function  $\int_{S(0, r)} \frac{2Q(\pi(z))}{1-|z|^2} |dz|$  is measurable by  $r$  (which is also part of the statement of the classical Fubini theorem). Let us make the change  $t = \log \frac{1+r}{1-r}$  in the last integral in accordance with [20, Theorem 3.2.6]. Since  $dt = \frac{2dr}{1-r^2}$ , we get:

$$\begin{aligned} &2 \int_0^{\frac{e^{r_0}-1}{e^{r_0}+1}} \frac{1}{1-r^2} \int_{S(0, r)} \frac{2Q(\pi(z))}{1-|z|^2} |dz| dr = \int_0^{r_0} \int_{S(0, \frac{e^r-1}{e^r+1})} \frac{2Q(\pi(z))}{1-|z|^2} |dz| dr = \\ &= \int_0^{r_0} \int_{S_h(0, r)} Q(\pi(z)) ds_h(z) dr = \int_0^{r_0} \int_{\tilde{S}(p_0, r)} Q(p) ds_{\tilde{h}}(p) dr = \int_0^{r_0} \psi(r) dr. \end{aligned} \quad (2.11)$$

In particular, by [20, Theorem 3.2.6] the function  $\psi(r)$  is measurable by  $r$ . Now combining (2.9), (2.10) and (2.11), we obtain that

$$\int_{\tilde{B}(p_0, r_0)} Q(p) d\tilde{h}(p) = \int_0^{r_0} \int_{\tilde{S}(p_0, r)} Q(p) ds_{\tilde{h}}(p) dr,$$

as required to prove.  $\square$

Before proceeding directly to the study of mappings on Riemannian surfaces (including mappings with (1.7)), we formulate the following statement, which relates the concept of



"almost all" with respect to the modulus of families of paths and the Lebesgue sense (its proof is similar to [22, Lemma 4.1]).

**Lemma 2.2.** *Let  $D$  be a domain of the Riemannian surface  $\mathbb{S}$ ,  $p_0 \in \overline{D}$  and let  $U$  be some normal neighborhood of the point  $p_0$ . If some property  $P$  holds for almost all intersections  $D(p_0, r) := \tilde{S}(p_0, r) \cap D$  of circles  $\tilde{S}(p_0, r)$  with a domain  $D$ , lying in  $U$ , where "almost all" is understood in the sense of the modulus of families of paths and the set*

$$E = \{r \in \mathbb{R} : P \text{ имеет место для } \tilde{S}(p_0, r) \cap D\}$$

*is Lebesgue measurable, then  $P$  also holds for almost all  $D(p_0, r)$  in  $U$  with respect to the linear Lebesgue measure by a parameter  $r \in \mathbb{R}$ . Conversely, if  $P$  holds for almost all  $D(p_0, r) := \tilde{S}(p_0, r) \cap D$  with respect to the linear Lebesgue measure in  $r \in \mathbb{R}$ , then  $P$  also holds for almost all  $D(p_0, r) := \tilde{S}(p_0, r) \cap D$  in the sense of a modulus.*

The proof of the following statement is similar to [8, Theorem 9.2] (see also [22, Lemma 4.2]), and is therefore omitted.

**Lemma 2.3.** *Let  $D$  and  $D_*$  be domains in  $\mathbb{S}$  and  $\mathbb{S}_*$ , respectively, let  $p_0 \in \overline{D}$  and let  $Q: D \rightarrow (0, \infty)$  be a measurable function. Then  $f: D \rightarrow D_*$  satisfies estimate (1.7) at the point  $p_0$  if and only if there is  $0 < d_0 < \sup_{p \in D} \tilde{h}(p, p_0)$  such that*

$$M(f(\Sigma_\varepsilon)) \geq \int_\varepsilon^{\varepsilon_0} \frac{dr}{\|Q\|(r)} \quad \forall \varepsilon \in (0, \varepsilon_0), \quad \varepsilon_0 \in (0, d_0), \quad (2.12)$$

where, as above,  $\Sigma_\varepsilon$  denotes the family of all intersections of the circles  $\tilde{S}(p_0, r)$  with the domain  $D$ ,  $r \in (\varepsilon, \varepsilon_0)$ ,

$$\|Q\|(r) = \int_{D(p_0, r)} Q(p) ds_{\tilde{h}}(p)$$

is  $L_1$ -norm of the function  $Q$  over the intersection  $D \cap \tilde{S}(p_0, r) = D(p_0, r) = \{p \in D : \tilde{h}(p, p_0) = r\}$ .

### 3 Basic bound for distortion of the modulus of families of paths

We say that a set  $A \subset \mathbb{S}$  has *Lebesgue measure zero* if  $A$  can be covered by at most countable the number of normal neighborhoods  $U_k \subset \mathbb{S}$ ,  $k = 1, 2, \dots$ , such that  $\varphi_k(U_k) \rightarrow \mathbb{D}$ , where  $\varphi_k$  is some homeomorphisms related to each other conformal transformation, in this case,  $m(\varphi_k(U_k \cap A)) = 0$  for any  $k = 1, 2, \dots$ ,  $m$  is the Lebesgue measure in  $\mathbb{C}$ . The following statements are true.

**Lemma 3.1.** *Suppose that  $B_0 \subset \mathbb{S}$  has a Lebesgue measure zero,  $p_0 \in \mathbb{S}$ ,  $U$  is a normal neighborhood of the point  $p_0$ ,  $\overline{U} \neq \mathbb{S}$  and  $0 < \varepsilon_0 < \text{dist}(p_0, \partial U)$ . Then*

$$\mathcal{H}^1(\varphi(B_0 \cap S_r)) = 0 \quad (3.1)$$

for almost all circles  $S_r := \tilde{S}(p_0, r)$  centered at a point  $p_0$ , where  $\varphi = \pi^{-1}$  is a homeomorphism of  $U$  into  $\mathbb{D}$ , corresponding to the definition of a normal neighborhood  $U$ ,  $\mathcal{H}^1$  is a 1-dimensional Hausdorff measure in  $\mathbb{C}$ , and "almost all" should be understood with respect to the parameter  $r \in (0, \varepsilon_0)$ .

*Proof.* Indeed, since the Lebesgue measure is regular, there is a Borel set  $B \subset U$  such that  $\varphi(B_0) \subset \varphi(B)$  and  $m(\varphi(B_0)) = m(\varphi(B)) = 0$ , where  $m$  is, as usual, the Lebesgue measure in  $\mathbb{C}$ . Let  $g$  be the characteristic function of the set  $\varphi(B)$ . According to [20, Theorem 3.2.5] for  $m = 1$ , we have that

$$\int_{\varphi(\gamma)} g(z)|dz| = \mathcal{H}^1(\varphi(B \cap |\gamma|)), \quad (3.2)$$

where  $\gamma : [a, b] \rightarrow U$  is any locally rectifiable path,  $|\gamma|$  us a locus of  $\gamma$  in  $U$ , and  $|dz|$  is an element of the Euclidean measure. Arguing similarly to the proof of [2, Theorem 33.1], we put

$$\rho(p) = \begin{cases} \infty, & p \in B, \\ 0, & p \notin B. \end{cases}$$

Observe that  $\rho$  is a Borel function. Let  $\Gamma$  be a family of all circles  $S_r := \tilde{S}(p_0, r)$  centered at the point  $p_0$ , for which  $\mathcal{H}^1(\varphi(B \cap S_r)) > 0$ . By (3.2), for any  $S_r \in \Gamma$  we obtain that

$$\begin{aligned} \int_{S_r} \rho(p) ds_{\tilde{h}}(p) &= \int_{S_h(0, r)} \rho(\varphi^{-1}(y)) ds_h(y) = 2 \int_{s(0, \frac{e^r-1}{e^r+1})} \frac{\rho(\varphi^{-1}(y))}{1-|y|^2} |dy| = \\ &= 2 \int_{s(0, \frac{e^r-1}{e^r+1})} \frac{g(y)\rho(\varphi^{-1}(y))}{1-|y|^2} |dy| = \infty. \end{aligned}$$

Now  $\rho \in \text{adm } \Gamma$ . Thus,  $M(\Gamma) \leq \int_{\mathbb{S}} \rho^2(p) d\tilde{h}(p) = 0$ . Let  $\Gamma^*$  be a family of all circles  $S_r := \tilde{S}(p_0, r)$  centered at  $p_0$  for which  $\mathcal{H}^1(\varphi(B_0 \cap S_r)) > 0$ . Observe that  $\Gamma^* \subset \Gamma$ , whence  $M(\Gamma^*) = 0$ . Finally, note that the function  $\psi(r) := \mathcal{H}^1(\varphi(B_0 \cap S_r))$  is Lebesgue measurable by the classical Fubini theorem, so that (3.1) is true for almost all  $r \in (0, \varepsilon_0)$  by Lemma 2.2.  $\square$

Let  $\gamma : [a, b] \rightarrow \mathbb{S}$  be a (locally rectifiable) path on the Riemannian surface  $\mathbb{S}$ . Then we define the function  $l_\gamma(t)$  as the length of the path  $\gamma|_{[a, t]}$ ,  $a \leq t \leq b$  (where "length" is understood in the sense of a Riemannian surface). For a set  $B \subset \mathbb{S}$ , put

$$l_\gamma(B) = \text{mes}_1 \{s \in [0, l(\gamma)] : \gamma(s) \in B\}, \quad (3.3)$$

where, as usual,  $\text{mes}_1$  denotes the linear Lebesgue measure in  $\mathbb{R}$ , and  $l(\gamma)$  is the length of  $\gamma$ . Similarly, we may define the value  $l_\gamma(B)$  for the dashed line  $\gamma$ , i.e. when  $\gamma : \bigcup_{i=1}^{\infty} (a_i, b_i) \rightarrow \mathbb{S}$ , where  $a_i < b_i$  for any  $i \in \mathbb{N}$  and  $(a_i, b_i) \cap (a_j, b_j) = \emptyset$  for any  $i \neq j$ .

**Lemma 3.2.** *Let  $D$  and  $D_*$  be domains in  $\mathbb{S}$  and  $\mathbb{S}_*$ , respectively, and let  $f : D \rightarrow D_*$  be a mapping of the Sobolev class  $W_{\text{loc}}^{1,1}$ . Let  $p_0 \in \overline{D}$ , let  $U$  be a normal neighborhood of  $p_0$ ,  $\overline{U} \neq \mathbb{S}$  and  $0 < \varepsilon_0 < \text{dist}(p_0, \partial U)$ , and let  $B_0 \subset D$  has a Lebesgue measure zero. Then  $\mathcal{H}^1(f(B_0 \cap \tilde{S}(p_0, r))) = 0$  for almost any  $r \in (0, \varepsilon_0)$  in local coordinates and, in addition,*

$$l_{f(\tilde{S}(p_0, r) \cap D)}(f(B_0)) = 0, \quad (3.4)$$

where  $l$  is defined in (3.3).

*Proof.* Since the mapping  $f$  is continuous, the domain  $f(D)$  can be covered by at most a countable number of neighborhoods  $V_k$ ,  $k = 1, 2, \dots$ , in such a way, that  $V_k$  is conformally homeomorphic to some neighborhood  $W_k \subset \mathbb{D}$ ,  $\overline{W_k}$  is compact in  $\mathbb{D}$  and, moreover,  $f^{-1}(V_k) = U_k \subset D$ , where  $U_k$  is an open set,  $\bigcup_{k=1}^{\infty} U_k = D$ . We may also assume that the length and area in  $V_k$  are calculated in terms of the hyperbolic length and hyperbolic area in  $W_k$ . By what was said above, without loss of generality, we may assume that  $f(D)$  is conformally homeomorphic to the set  $W \subset \mathbb{D}$ , whose closure is compact in  $\mathbb{D}$ . Let the indicated conformal homeomorphism be realized for using the mapping  $\psi : f(D) \rightarrow W$ , and let  $\varphi$  be a homeomorphism of  $U$  into  $\mathbb{D}$ , corresponding to the definition of normal neighborhood  $U$ , and let  $\varphi(U) \subset B(0, r_0)$ , where  $B(0, r_0)$  is a compact set in  $\mathbb{D}$ . Consider a partition of the set  $B(0, r_0)$  into a countable number of pairwise disjoint ring segments

$$A_m = \{z \in \mathbb{C} : z = Re^{i\alpha}, R \in (r_{m-1}, r_m], \alpha \in (\psi_{m-1}, \psi_m]\}, m \in \mathbb{N}. \quad (3.5)$$

Let  $h_m$  be an auxiliary quasiisometry that maps  $A_m$  onto a rectangle  $B_m$  such that arcs of circles centered at zero are mapped to line segments, see Figure 1. More precisely, put

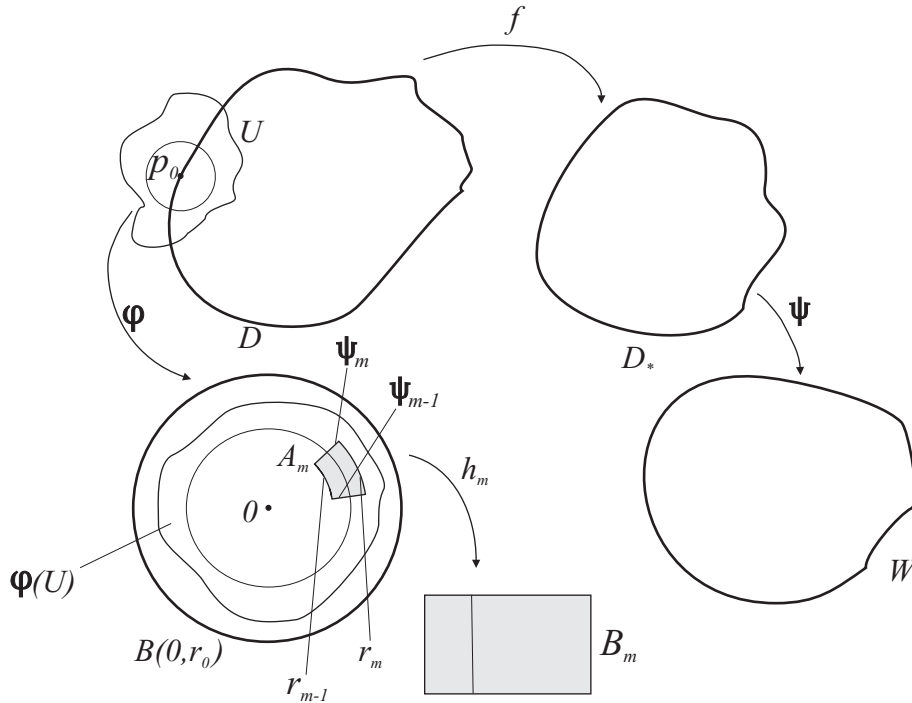


Figure 1: To the proof of Lemma 3.2.

$h_m(\omega) = \log \omega$ ,  $\omega \in A_m$  and  $\widetilde{A}_m := h_m(A_m \cap D)$ . Then, for each  $m \in \mathbb{N}$ , consider the mapping

$$g_m := \psi \circ f \circ \varphi^{-1} \circ h_m^{-1}, \quad g_m : \widetilde{A}_m \rightarrow \mathbb{C}.$$

Observe that  $g_m \in W_{\text{loc}}^{1,1}(\widetilde{A}_m)$  (see [23, Section 1.1.7]), whence, in particular,  $g_m \in ACL$  (see [23, Theorems 1 and 2, Section 1.1.3, § 1.1, Section. I]). Set, as above,  $S_r := \widetilde{S}(p_0, r)$ . By Lemma 3.1 and in view of the smoothness of the mapping  $h_m$ , we obtain that

$$\mathcal{H}^1(\varphi(B_0 \cap S_r) \cap A_m) = \mathcal{H}^1(h_m(\varphi(B_0 \cap S_r) \cap A_m)) = 0$$

for any  $r \in [0, \varepsilon_0] \setminus A_0$ , where  $\text{mes}_1 A_0 = 0$ . Set  $D_r := D \cap S_r$ . Then also for any  $r \in [0, \varepsilon_0] \setminus A_0$

$$\mathcal{H}^1(\psi(f(B_0 \cap D_r \cap \varphi^{-1}(A_m)))) = \mathcal{H}^1(g_m(h_m(\varphi(B_0 \cap D_r) \cap A_m))) = 0, \quad (3.6)$$

since the absolute continuity of the map  $g_m$  on a fixed interval implies the  $N$ -property with respect to the linear Lebesgue measure (see [20, Section 2.10.13]). Observe that  $U \subset \bigcup_{m=1}^{\infty} \varphi^{-1}(A_m)$ , so from (3.6), in view of the countable semi-additivity of the Hausdorff measure,

$$\mathcal{H}^1(\psi(f(B_0 \cap D_r))) = 0, \quad r \in [0, \varepsilon_0] \setminus A_0. \quad (3.7)$$

Let  $\gamma_i$  be an arbitrary arc of the dashed line  $\psi(f(D_r))$ . Then we parametrize  $\gamma_i : [0, l(\gamma_i)] \rightarrow \mathbb{D}$ ,  $\gamma_i = \gamma_i(s)$ , where  $s$  is a natural parameter on  $\gamma_i$  in the sense of the Euclidean length. Setting  $m = 1$  in [20, Theorem 3.2.5], by (3.7) we obtain that the set  $B := \{s \in [0, l(\gamma_i)] : \gamma_i(s) \in \psi(f(B_0))\}$  has a linear measure zero. Let  $\chi_{\psi(f(B_0))}(z)$  be a characteristic function of the set  $\psi(f(B_0))$ . Taking into account the Remark 2.1, we obtain that

$$l_{f(\tilde{S}(p_0, r) \cap D)}(f(B_0)) = \sum_{i=1}^{\infty} 2 \int_0^{l(\gamma_i)} \frac{\chi_{\psi(f(B_0))}(\gamma_i(s)) ds}{1 - |\gamma_i(s)|^2} = 0$$

for almost any  $r \in (0, \varepsilon_0)$ , which was required to be established.  $\square$

**Lemma 3.3.** *Let  $D$  and  $D_*$  be domains in Riemannian surfaces  $\mathbb{S}$  and  $\mathbb{S}_*$ , respectively, and let  $f : D \rightarrow D_*$  be an open discrete  $W_{\text{loc}}^{1,1}$ -mapping with a finite distortion. Let  $p_0 \in \overline{D}$ , let  $U$  be a normal neighborhood of the point  $p_0$ , let  $0 < \varepsilon_0 < \text{dist}(p_0, \partial U)$ , and let  $B_* \subset D$  be the set of such points of  $D$ , in which the mapping  $f$  is differentiable (in local coordinates), however,  $J_f(p) = 0$ . Then*

$$l_{f(\tilde{S}(p_0, r) \cap D)}(f(B_*)) = 0 \quad (3.8)$$

for almost all  $r \in (0, \varepsilon_0)$ , where the function  $l$  is defined in (3.3).

*Proof.* Observe that  $f$  is differentiable almost everywhere in  $D$  in local coordinates (see the remarks made in the introduction in [12]). In particular, the set  $U$  can be split into a countable number sets  $B_k$ ,  $k = 0, 1, 2, \dots$ , such that  $f|_{B_k}$  is a bilipschitz homeomorphism for  $k = 1, 2, \dots$ , and  $B_0$  has a measure zero (see [20, items 3.2.2, 3.1.4 and 3.1.8]). Let, as before,  $S_r := \tilde{S}(p_0, r)$  and  $D_r := S_r \cap D$ . By Lemma 3.2  $\mathcal{H}^1(f(B_0 \cap D_r)) = 0$  for almost of any  $r \in (0, \varepsilon_0)$  in local coordinates, therefore, a 1-dimensional change of variables holds for almost all  $r \in (0, \varepsilon_0)$ , (see [20, Theorem 3.2.5]).

Repeating the reasoning given in the proof of Lemma 3.2 and using the notation of this proposition, we conclude that the mapping  $h_m$  maps  $\varphi(S_r) \cap A_m$  to some part of the segment  $I(m, R) = \{z \in \mathbb{C} : z = \log R + it, t \in (\psi_{m-1}, \psi_m), R = (e^r - 1)/(e^r + 1)\}$ . Since  $f$  has a finite distortion,  $g'_m(\log R + it) = 0$  for all  $t \in (\psi_{m-1}, \psi_m)$  such that  $\varphi^{-1}(h_m^{-1}(\log R + it)) \in B_*$ . Then, by virtue of [20, Theorem 3.2.5] and in view of the above remarks

$$\begin{aligned} \mathcal{H}^1(\psi(f(B_* \cap D_r \cap \varphi^{-1}(A_m)))) &= \mathcal{H}^1(g_m(h_m(\varphi(B_* \cap D_r) \cap A_m))) \leq \\ &\leq \int_{g_m(h_m(\varphi(B_* \cap D_r) \cap A_m))} N(y, g_m, h_m(\varphi(B_* \cap D_r) \cap A_m)) d\mathcal{H}^1 y = \end{aligned}$$

$$= \int_{\psi_{m-1}}^{\psi_m} \chi_{h_m(\varphi(B_*) \cap A_m)}(\log R + it) |g'_m(\log R + it)| dt = 0,$$

where  $\chi_{h_m(\varphi(B_*) \cap A_m)}$  is a characteristic function of the set  $h_m(\varphi(B_*) \cap A_m)$ . Semiadditivity with respect to  $m$  of the one-dimensional Hausdorff measure in the last chain of equalities gives us  $\mathcal{H}^1(\psi(f(B_* \cap D_r))) = 0$  for almost all  $r \in (0, \varepsilon_0)$ . Let  $\gamma_i$  be an arbitrary dashed arc line  $\psi(f(D_r))$ . Parametrize  $\gamma_i$  as  $\gamma_i : [0, l(\gamma_i)] \rightarrow \mathbb{D}$ ,  $\gamma_i = \gamma_i(s)$ , where  $s \in [0, l(\gamma_i)]$  is a natural parameter. Setting  $m = 1$  in [20, Theorem 3.2.5], we obtain that the set  $B_i := \{s \in [0, l(\gamma_i)] : \gamma_i(s) \in \psi(f(B_*))\}$  has a linear measure zero. Let  $\chi_{\psi(f(B_*))}(z)$  be the characteristic function of the set  $\psi(f(B_*))$ . Taking into account the Remark 2.1, we obtain that

$$l_{f(\tilde{S}(p_0, r) \cap D)}(f(B_*)) = \sum_{i=1}^{\infty} 2 \int_0^{l(\gamma_i)} \frac{\chi_{\psi(f(B_*))}(\gamma_i(s)) ds}{1 - |\gamma_i(s)|^2} = 0$$

for almost any  $r \in (0, \varepsilon_0)$ , which was required to be established.  $\square$

*Proof of Theorem 1.1.* Since  $f$  is open, the mapping  $f$  is differentiable almost everywhere in  $D$  local coordinates (see the remarks made in the introduction to [12]; see also [24, Theorem III.3.1]). Let  $B$  be the Borel set of all points  $p \in D$ , where  $f$  has a total differential  $f'(p)$  and  $J_f(p) \neq 0$  in local coordinates. Note that  $B$  may be represented as at most countable unions of Borel sets  $B_l$ ,  $l = 1, 2, \dots$ , such that  $f_l = f|_{B_l}$  are bilipschitz homeomorphisms (see [20, Sections 3.2.2, 3.1.4 and 3.1.8]). See Figure 2 for illustrations. Without loss of

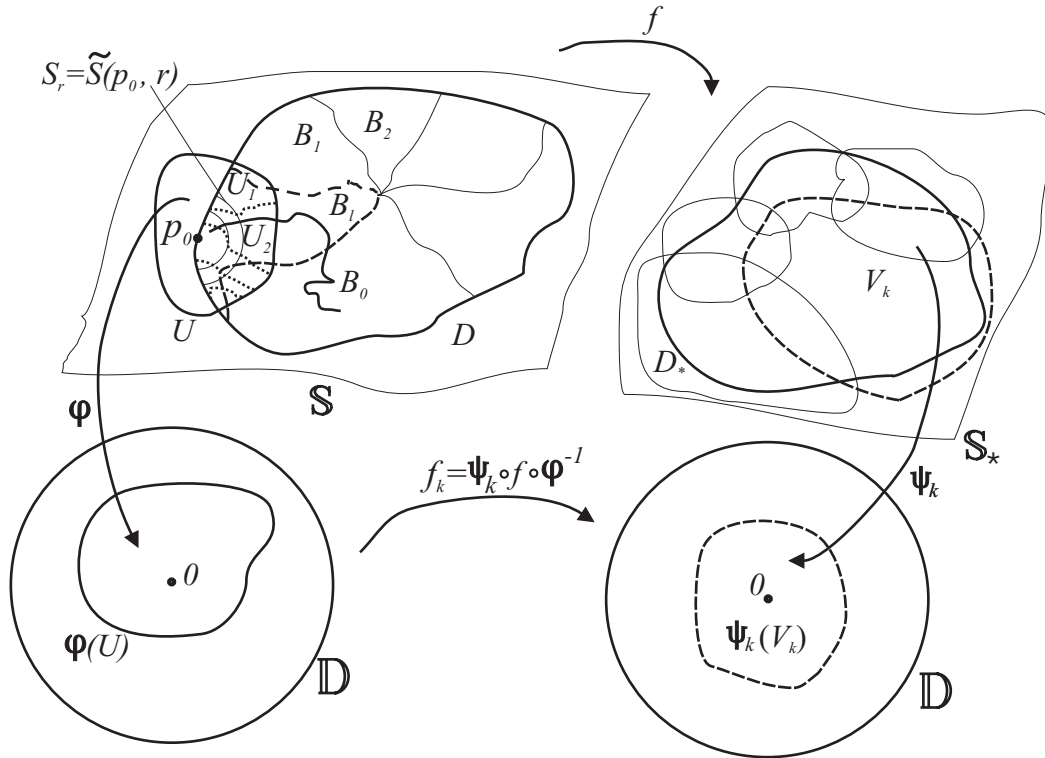


Figure 2: To the proof of Theorem 1.1

generality, we may assume that the sets  $B_l$  are pairwise disjoint. We also denote by  $B_*$  the set of all points  $p \in D$ , where  $f$  has a total differential and  $f'(p) = 0$ .

Since  $f$  is a finite distortion,  $f'(p) = 0$  for almost all points  $p$ , where  $J_f(p) = 0$ . Thus, by construction, the set  $B_0 := D \setminus (B \cup B_*)$  has  $\tilde{h}$ -measure zero. Let  $U$  be a normal neighborhood of the point  $p_0$  and  $\varphi : U \rightarrow \mathbb{D}$  be a mapping corresponding to this normal neighborhood. We may assume that  $\varphi(U) \subset B(0, r_0)$ ,  $0 < r_0 < 1$ . Since  $\overline{D_*}$  is compact in  $\mathbb{S}_*$ , we can cover  $\overline{D_*}$  by a finite number of neighborhoods  $V_k$ ,  $k = 1, 2, \dots, m$ , such that  $\psi_k : V_k \rightarrow B(0, R_k)$ ,  $0 < R_k < 1$ , and  $\psi_k$  are conformal mappings. Let  $R_0 := \max_{1 \leq k \leq m} R_k$ . Since the mapping  $f$  is continuous, the sets  $U'_k := f^{-1}(V_k \cap D_*) \cap U$  are open in  $U$  and the mapping

$$f_k := \psi_k \circ f \circ \varphi^{-1}$$

is a mapping from  $\varphi(U'_k) \subset B(0, r_0)$  into  $\psi_k(V_k) \subset B(0, R_0)$ .

Set  $U_1 = U'_1$ ,  $U_2 = U'_2 \setminus U'_1$ ,  $U_3 = U'_3 \setminus (U'_1 \cup U'_2)$ ,  $\dots$ ,  $U_m = U'_m \setminus (U'_1 \cup U'_2 \dots U'_{m-1})$ . Observe that, by the definition,  $U_m \subset U'_m$  for  $m \geq 1$  and  $U_s \cap U_k = \emptyset$  for  $s \neq k$ . Let  $\Gamma$  be a family  $D_r := D \cap S_r$  of all intersections of circles  $S_r = \tilde{S}(p_0, r)$ ,  $r \in (\varepsilon, r_0)$ , with  $D$ . We fix an admissible function  $\rho_* \in \text{adm } f(\Gamma)$ ,  $\rho_* \equiv 0$  outside  $f(D)$ , and put  $\rho \equiv 0$  outside  $U$  and on  $B_0$ , and

$$\rho(p) := \rho_*(f(p)) \|f'_k(\varphi(p))\| \quad \text{при } p \in U_k \setminus B_0,$$

where the matrix norm of the derivative  $\|g'(z)\|$  of a given function  $g : \mathbb{D} \rightarrow \mathbb{C}$ ,  $\mathbb{D} \subset \mathbb{C}$ , as usual, is defined as  $\|g'(z)\| = |g_z| + |g_{\bar{z}}|$ ,  $g_z = (g_x - ig_y)/2$ ,  $g_{\bar{z}} = (g_x + ig_y)/2$ ,  $z = x + iy \in \mathbb{C}$ . Observe that

$$D_r := D \cap S_r = \left( \bigcup_{\substack{1 \leq k \leq m \\ 1 \leq l < \infty}} D_{kl}^r \right) \cup \left( \bigcup_{k=1}^m S_r \cap U_k \cap B_* \right) \cup \left( \bigcup_{k=1}^m S_r \cap U_k \cap B_0 \right),$$

where  $D_{kl}^r = S_r \cap U_k \cap B_l$ . By Lemmas 3.2 and 3.3  $l_{f(D_r)}(f(U_k \cap B_0)) = 0$  and  $l_{f(D_r)}(f(U_k \cap B_*)) = 0$  for any  $1 \leq k \leq m$  and almost any  $r \in (0, r_0)$ . Thus,

$$\begin{aligned} 1 &\leq \int_{D_r^*} \rho_*(p_*) ds_{\tilde{h}_*}(p_*) \leq 2 \sum_{k=1}^m \sum_{l=1}^{\infty} \int_{\psi_k(f(D_{kl}^r))} \frac{\rho_*(\psi_k^{-1}(z))}{1 - |z|^2} d\mathcal{H}^1(z) \leq \\ &\leq \frac{2}{1 - R_0^2} \sum_{k=1}^m \sum_{l=1}^{\infty} \int_{\psi_k(f(D_{kl}^r))} \rho_*(\psi_k^{-1}(z)) d\mathcal{H}^1(z) \end{aligned} \quad (3.9)$$

for almost any  $r \in (0, r_0)$ , where  $\mathcal{H}^1$  denotes 1-dimensional Hausdorff measure. On the other hand, arguing at each set  $D_{kl}^r$  separately and using [20, item 1.7.6, theorem 2.10.43 and theorem 3.2.6], we obtain that

$$\begin{aligned} \int_{D_{kl}^r} \rho(p) ds_{\tilde{h}}(p) &= 2 \int_{\varphi(D_{kl}^r)} \frac{\rho_*(\psi_k^{-1}(f_k(y))) \|f'_k(y)\|}{1 - |y|^2} |dy| \geq \\ 2 \int_{\varphi(D_{kl}^r)} \rho_*(\psi_k^{-1}(f_k(y))) \|f'_k(y)\| |dy| &\geq 2 \int_{\psi_k(f(D_{kl}^r))} \rho_*(\psi_k^{-1}(z)) d\mathcal{H}^1(z). \end{aligned} \quad (3.10)$$

Summing (3.10) over all  $1 \leq k \leq m$  and  $1 \leq l < \infty$ , and considering (3.9) and Lemma 2.2, we conclude that  $\rho/(1 - R_0^2) \in \text{ext adm } \Gamma$ .

Using the change of variables on each  $B_l$ ,  $l = 1, 2, \dots$  (see, e.g. [20, Theorem 3.2.5]), countable additivity of the Lebesgue integral, and also taking into account (1.2), we obtain the estimate

$$\begin{aligned}
& \frac{1}{(1 - R_0^2)^2} \int_D \frac{\rho^2(p)}{K_\mu(p)} d\tilde{h}(p) = \\
& = \frac{4}{(1 - R_0^2)^2} \sum_{k=1}^m \sum_{l=1}^{\infty} \int_{\varphi(U_k \cap B_l)} \frac{\rho_*^2((f \circ \varphi^{-1})(z)) \|f'_k(z)\|^2}{(1 - |z|^2)^2 K_\mu(\varphi^{-1}(z))} dm(z) \leq \\
& \leq \frac{4}{(1 - r_0^2)^2 (1 - R_0^2)^2} \sum_{k=1}^m \sum_{l=0}^{\infty} \int_{\mathbb{S}_*} \rho_*^2(\psi_k^{-1}(y)) N(y, f_k, \varphi(U_k \cap B_l)) dm(y) \leq \\
& \leq \frac{4}{(1 - r_0^2)^2 (1 - R_0^2)^2} \sum_{k=1}^m \int_{\mathbb{S}_*} \rho_*^2(\psi_k^{-1}(y)) N(y, f_k, \varphi(U_k)) dm(y) \leq \\
& \leq \frac{4}{(1 - r_0^2)^2 (1 - R_0^2)^2} \sum_{k=1}^m \int_{\mathbb{S}_*} \frac{\rho_*^2(\psi_k^{-1}(y)) N(\psi_k^{-1}(y), f, U_k)}{(1 - |y|^2)^2} dm(y) = \\
& = \frac{1}{(1 - r_0^2)^2 (1 - R_0^2)^2} \sum_{k=1}^m \int_{\mathbb{S}_*} \rho_*^2(p_*) N(p_*, f, U_k) d\tilde{h}_*(p_*) \leq \\
& \leq \frac{N(f, D)}{(1 - r_0^2)^2 (1 - R_0^2)^2} \int_{\mathbb{S}_*} \rho_*^2(p_*) d\tilde{h}_*(p_*).
\end{aligned}$$

To complete the proof, one should put  $c := \frac{1}{(1 - r_0^2)^2 (1 - R_0^2)^2}$ .  $\square$

## 4 Boundary extension of mappings with lower modulus distortion

So, we have established the main modulus inequality for the Sobolev classes, with which we will work further. Now let us talk on the boundary extension of the Sobolev classes, for which we consider an auxiliary class of mappings with the condition (1.7).

We recall the following definitions. A mapping  $f : D \rightarrow D_*$ ,  $f(D) = D_*$ , is called *boundary preserving*, if  $C(f, \partial D) \subset \partial D_*$ , where, as usual,

$$C(f, \partial D) = \{p_* \in \mathbb{S}_* : \exists p_k \in D, p \in \partial D : p_k \rightarrow p, f(p_k) \rightarrow p_*, k \rightarrow \infty\}.$$

The following statement is established in [4, Theorem 3.3] for the case of the space  $\mathbb{R}^n$ . In our case, its validity directly follows from [25, Proposition 2.1].

**Proposition 4.1.** *Let  $D$  and  $D_*$  be domains in Riemannian surfaces  $\mathbb{S}$  and  $\mathbb{S}_*$ , respectively. Let  $f : D \rightarrow D_*$  be open discrete and closed mapping in  $D$ . Then  $f$  is boundary preserving.*

A Borel function  $\rho : \mathbb{D} \rightarrow [0, \infty]$  is called *admissible* for the family  $\Gamma$  of paths  $\gamma$  in the sense of hyperbolic length, write  $\rho \in \text{adm}_h \Gamma$ , if  $\int_{\gamma} \rho(z) ds_h(z) \geq 1$  for any path  $\gamma \in \Gamma$ , where  $ds_h(z)$  is an element of length corresponding to (1.2). The *modulus* of the family  $\Gamma$  in the sense of a hyperbolic measure is the quantity  $M_h(\Gamma) := \inf_{\rho \in \text{adm}_h \Gamma} \int_{\mathbb{D}} \rho^2(z) dh(z)$ , where  $dh(z)$  is an element of the hyperbolic area. The following result holds, see [25, Remark 5.2].

**Proposition 4.2.** *Let  $\Gamma$  be a family of paths in  $\mathbb{D}$ . Now*

$$M_h(\Gamma) = M_e(\Gamma).$$

An analogue of the following statement is established for the space  $\mathbb{R}^n$  in Väisälä's monograph [2, Theorem 7.5].

**Proposition 4.3.** *Let  $\mathbb{S}$  be a Riemannian surface and  $p_0 \in \mathbb{S}$ . Let  $U$  be a neighborhood of the point  $p_0$  such that  $\tilde{h}(p, p_0) = h(\varphi(p), \varphi(p_0))$ , where  $\varphi = \pi^{-1}$  and  $\pi$  is the natural projection of the fundamental Dirichlet polygon  $D_0$  with center at the point  $\varphi(p_0)$  on  $\mathbb{S}$ . Let  $0 < r_1 < r_2 < \text{dist}(p_0, \partial U)$ ,  $\tilde{S}_i = \tilde{S}(p_0, r_i)$ ,  $i = 1, 2$ ,  $\tilde{A}(p_0, r_1, r_2) = \{p \in \mathbb{S} : r_1 < \tilde{h}(p_0, p) < r_2\}$ . If  $\Gamma = \Gamma(\tilde{S}_1, \tilde{S}_2, \tilde{A})$  is family of paths joining  $\tilde{S}_1$  and  $\tilde{S}_2$  in  $\tilde{A}$ , then*

$$M(\Gamma) = \frac{2\pi}{L(r_1, r_2)},$$

where  $L(r_1, r_2) = \left(\frac{e^{r_2}-1}{e^{r_2}+1}\right) : \left(\frac{e^{r_1}-1}{e^{r_1}+1}\right)$ .

*Proof.* By the definition of the mapping  $\varphi$  and the neighborhood  $U$ ,  $M(\Gamma) = M_h(\Gamma^*)$ , where  $\Gamma^* = \Gamma(S_h(\varphi(p_0), r_1), S_h(\varphi(p_0), r_2), A_h)$ ,  $A_h := \{z \in \mathbb{D} : r_1 < h(z, \varphi(p_0)) < r_2\}$ . By Proposition 4.2  $M(\Gamma) = M_e(\Gamma^*)$ . The required conclusion now follows from [26, Corollary 5.18].  $\square$

Let  $\Omega$  be a domain in  $\mathbb{C}$ , or a domain in  $\mathbb{S}$ . According to [27, item 3], the connected set  $E \subset \Omega$  is called *cut* if  $E$  is closed in  $\Omega$ ,  $\overline{E} \cap \partial\Omega \neq \emptyset$  and  $\Omega \setminus E$  consists of two components, the boundary of each of which intersects  $\partial\Omega$ . A sequence of cuts  $E_1, E_2, \dots, E_k, \dots$  is called a *chain* if  $E_k$  separates  $E_{k-1}$  from  $E_{k+1}$  in  $\Omega$ , that is,  $E_{k-1}$  and  $E_{k+1}$  belong to different components of  $\Omega \setminus E_k$ . It follows from the above definitions that one of the subdomains  $\Omega \setminus E_k$  contains all  $E_m$  for  $m > k$ . This subdomain will be denoted by  $d_k$ . Two chains of cuts  $\{\sigma_m\}$  and  $\{\sigma'_k\}$  are called *equivalent* if for each  $m = 1, 2, \dots$  the domain  $d_m$  contains all domains  $d'_k$  except for a finite number, and for each  $k = 1, 2, \dots$ , the domain  $d'_k$  also contains all domains  $d_m$  for excluding a finite number.

The following statement contains some information on important properties of domains with locally quasiconformal boundaries.

**Lemma 4.1.** *Suppose that a domain  $D$  in  $\mathbb{S}$  has a locally quasiconformal boundary,  $p_0 \in \partial D$  and  $r_m > 0$  is an arbitrary sequence such that  $r_m \rightarrow 0$  as  $m \rightarrow \infty$ . Let  $U$  be a neighborhood of the point  $p_0$ , for which there is a quasiconformal mapping  $\psi : U \rightarrow \mathbb{D}$ ,  $\psi(\partial D \cap U) = \mathbb{D} \cap I$ ,  $I := (-1, 1) = \{z \in \mathbb{D} : x = 0, z = x + iy\}$ . Then:*

1) *there is a sequence of neighborhoods  $U_k$ ,  $k = 1, 2, \dots$ , of the point  $p_0$ , contracting to this point, such that  $\psi(U_k) = B(0, 1/2^k)$ ,  $\psi(U_k \cap D) = \{z = x + iy \in B(0, 1/2^k) : x > 0\}$ ;*



2) the sets  $\sigma_k := \partial U_k \cap D$  are cuts of the domain  $D$ , in this case,  $\tilde{h}(\sigma_k) \rightarrow 0$  as  $k \rightarrow \infty$ ,  $\tilde{h}(\sigma_k) := \sup_{x,y \in \sigma_k} \tilde{h}(x,y)$ , and the corresponding domain  $d_k$  is  $U_k \cap D$ ;

3) there is a subsequence  $r_{m_l} \rightarrow 0$ ,  $l \rightarrow \infty$ , and the corresponding sequence of arcs  $\gamma_l \subset \tilde{S}(p_0, r_{m_l}) \cap D$ ,  $l = 1, 2, \dots$ , forming a chain of cuts equivalent to  $\sigma_k$ ,  $k = 1, 2, \dots$ .

*Proof.* Arguing similarly to the proof of Theorem 17.10 in [2], we show that the neighborhood  $U$  in the definition of a locally quasiconformal boundary can be chosen arbitrarily small. Indeed, by definition, the point  $p_0 \in \partial D$  has a neighborhood  $U$ , which can be mapped by a quasiconformal mapping  $\psi$  onto the unit disk  $\mathbb{D} \subset \mathbb{C}$  so that  $\psi(\partial D \cap U) = I$ , where  $I := (-1, 1) = \{z \in \mathbb{D} : x = 0, z = x + iy\}$ . Since  $\psi$  is a homeomorphism, then either  $\psi(U \cap D) = \mathbb{D}_+$ , or  $\psi(U \cap D) = \mathbb{D} \setminus \overline{\mathbb{D}_+}$ , where  $\mathbb{D}_+ := \{z \in \mathbb{D} : x > 0, z = x + iy\}$ . Thus, without loss of generality, we may assume that  $\psi(U \cap D) = \mathbb{D}_+$ . Choose a neighborhood  $V \subset U$  containing the point  $p_0$ . If  $r < 1 - |\psi(p_0)|$ , then, by the triangle inequality, the ball  $B(\psi(p_0), r)$  lies strictly inside  $\mathbb{D}$ . Since  $\psi$  is a homeomorphism in  $U$ , then, in particular,  $\psi^{-1}$  is a continuous mapping. In this case, there is  $r < 1 - |\psi(p_0)|$  with the following property: the condition  $|\psi(p) - \psi(p_0)| < r$  implies that  $p \in V$ . In addition, if  $\psi(p) \in \mathbb{D}_+ \cup I$  and  $|\psi(p) - \psi(p_0)| < r$ , then  $p \in V \cap \overline{D}$ . Setting  $U_1 := \psi^{-1}(B(\psi(p_0), r))$ , we note that  $U_1 \subset V$  and  $U_1$  is a neighborhood of the point  $p_0$ . In this case,  $U_1 \cap \overline{D} = \psi^{-1}(B(\psi(p_0), r) \cap (\mathbb{D}_+ \cup I))$ . Setting  $H(p) = (\psi(p) - \psi(p_0))/r$ , we obtain the mapping  $H$  of the neighborhood  $U_1$  on  $\mathbb{D}$  such that  $H(U_1 \cap \overline{D}) = \mathbb{D}_+ \cup I$  and  $H(p_0) = 0$ . Since  $H$  is a homeomorphism, it follows that  $H(U_1 \cap \partial D) = I$ . It is also clear that if the original mapping  $\psi$  is quasiconformal, then the same is the mapping  $H$ . Thus, the neighborhood  $U_1$  satisfies all the same conditions as the original neighborhood  $U$ . In what follows, we use the notation  $\psi$  instead of  $H$ , and we assume that  $\psi(p_0) = 0$ .

From the above reasoning it follows that there is a decreasing sequence of neighborhoods  $U_k$  of the point  $p_0$ , for which  $p_0 = \bigcap_{k=1}^{\infty} \overline{U_k \cap D}$ ,  $\psi(U_k) = B(0, 1/2^k)$ ,  $\psi(\partial U_k \cap D) = S(0, 1/2^k) \cap \mathbb{D}_+$ . By direct calculations it is easy to see that the sequence  $\sigma_k := \partial U_k \cap D$  forms a chain of cuts of the domain  $D$ . From the equality  $\bigcap_{k=1}^{\infty} \overline{U_k \cap D} = p_0$  it follows that  $\tilde{h}(\sigma_k) \leq \tilde{h}(\overline{U_k \cap D}) \rightarrow 0$  as  $k \rightarrow \infty$ , where we use the notation  $\tilde{h}(A) := \sup_{x,y \in A} \tilde{h}(x,y)$ . Items 1) and 2) of Lemma 4.1 are established. It remains to establish item 3). Consider the segment  $\beta(t) = it$ ,  $t \in (0, 1)$ , in  $\mathbb{D}_+$ . Put  $\alpha(t) := \psi^{-1}(\beta(t))$ . Then  $\alpha$  is a path in  $U \cap D$  with origin at the point  $p_0$ . Let  $m_1 \in \mathbb{N}$  be that  $r_{m_1} < \tilde{h}(p_0, \sigma_1)$ . By [28, Theorem 1.I.5, § 46]  $\tilde{S}(p_0, r_{m_1}) \cap \alpha \neq \emptyset$ . Let  $\gamma_1$  be an arc of the set  $\tilde{S}(p_0, r_{m_1}) \cap D$ , such that  $\alpha(t_1) \in \gamma_1$ , where  $t_1 := \min\{t \in (0, 1) : \alpha(t) \in \tilde{S}(p_0, r_{m_1})\}$  (see Figure 3).

By construction, the ends of the path  $\gamma_1$  lie on  $\partial D$ , therefore  $\psi(\gamma_1)$  is a path whose ends lie on the segment  $I \subset \mathbb{D}$ . Obviously,  $\psi(\gamma_1)$  splits  $\mathbb{D}_+$  into two domains. Therefore,  $\gamma_1$  divides the domain  $D$  into two domains, as well. Let  $d'_1$  be the component of  $D \setminus \gamma_1$ , containing the path  $\alpha_1 := \alpha|_{(0, t_1)}$ . Note that there is  $k_1 \in \mathbb{N}$  such that  $\overline{U_{k_1} \cap D} \subset d'_1$ . Indeed, by construction  $\overline{U_{k_1}} \subset \tilde{B}(p_0, r_{m_1})$  for sufficiently large  $k_1 \in \mathbb{N}$  and the point  $\alpha_1(t)$  belongs to  $U_{k_1} \cap D$  for sufficiently small  $t$ , since  $U_{k_1}$  is a neighborhood of the point  $p_0$ . Hence,  $\overline{U_{k_1} \cap D}$  belongs to some component of  $D \setminus \gamma_1$  containing  $\alpha_1$ , that is,  $\overline{U_{k_1} \cap D} \subset d'_1$ . Note that  $\sigma_{k_1} \subset d'_1$ , because

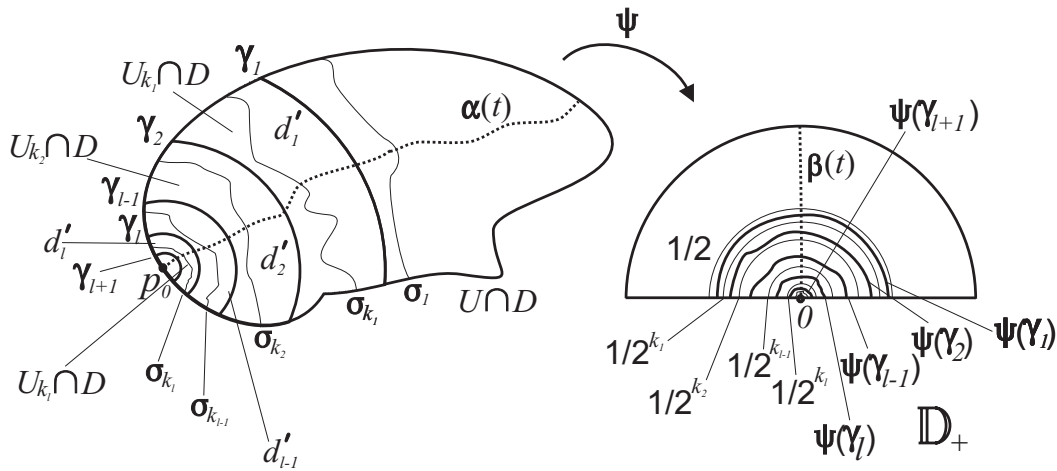


Figure 3: On the proof of Lemma 4.1

$$\sigma_{k_1} = \partial U_{k_1} \cap D \subset d'_1.$$

Observe also that  $d'_1 \subset D \setminus \sigma_1$ . This follows from the fact that  $d'_1$  is bounded by  $\gamma_1$  and some part of the boundary of the domain  $U \cap D$ , and  $\sigma_1$  lies in the domain bounded by  $\gamma_1$  and another part of the boundary  $U \cap D$ . Thus,  $\gamma_1$  separates  $\sigma_1$  from  $U_{k_1} \cap D$  in  $D$ ; in particular,  $\gamma_1$  separates  $\sigma_1$  from  $\sigma_{k_1}$  in  $D$ .

Let  $m_2 \in \mathbb{N}$ ,  $m_2 > m_1$ , be such that  $r_{m_2} < \tilde{h}(p_0, \sigma_{k_1})$ . By [28, Theorem 1.I.5, §46]  $\tilde{S}(p_0, r_{m_2}) \cap \alpha \neq \emptyset$ . Let  $\gamma_2$  be an arc of the set  $\tilde{S}(p_0, r_{m_2}) \cap D$  such that  $\alpha(t_2) \in \gamma_2$ , where  $t_2 := \min\{t \in (0, 1) : \alpha(t) \in \tilde{S}(p_0, r_{m_2})\}$ . By construction, the ends of the path  $\gamma_2$  lie on  $\partial D$ , therefore  $\psi(\gamma_2)$  is a path whose ends lie on the segment  $I \subset \mathbb{D}$ . Obviously,  $\psi(\gamma_2)$  splits  $\mathbb{D}_+$  into two domains, therefore,  $\gamma_2$  divides the domain  $D$  into two domains. Let  $d'_2$  be a component of  $D \setminus \gamma_2$ , containing a path  $\alpha_2 := \alpha|_{(0, t_2)}$ . Observe that there is  $k_2 \in \mathbb{N}$  such that  $\overline{U_{k_2}} \cap D \subset d'_2$ . Indeed, by construction  $\overline{U_{k_2}} \subset \tilde{B}(p_0, r_{m_2})$  for large enough  $k_2 \in \mathbb{N}$  and  $\alpha_2(t)$  belongs to  $U_{k_2} \cap D$  for sufficiently small  $t$ , since  $U_{k_2}$  is a neighborhood of the point  $p_0$ . Hence,  $\overline{U_{k_2}} \cap D$  belongs to some component of  $D \setminus \gamma_2$ , containing  $\alpha_2$ , that is,  $\overline{U_{k_2}} \cap D \subset d'_2$ . Observe that  $\sigma_{k_2} = \partial U_{k_2} \cap D \subset d'_2$ .

Observe also that,  $d'_2 \subset D \setminus \sigma_{k_1}$ . Thus  $\gamma_2$  separates  $\sigma_{k_1}$  from  $U_{k_2} \cap D$  in  $D$ ; in particular,  $\gamma_2$  separates  $\sigma_{k_1}$  from  $\sigma_{k_2}$  in  $D$ .

For the same reason,  $\gamma_1 \subset D \setminus d'_2$ . Indeed,  $d'_2$  is one of the components of  $D \setminus \gamma_1$ , not the same as  $d'_1$ , in particular,  $d'_2 \subset D \setminus \gamma_1$ . Thus,  $\gamma_2$  also separates  $\gamma_1$  from  $U_{k_2} \cap D$  in  $D$ ; in particular,  $\gamma_2$  separates  $\gamma_1$  from  $\sigma_{k_2}$  in  $D$ .

Etc. As a result of the endless process, we will have that some sequence of arcs  $\gamma_l \subset \tilde{S}(p_0, r_{m_l})$ ,  $l = 1, 2, \dots$ , separating  $\sigma_{k_l}$  from  $\sigma_{k_{l-1}}$  in  $D$ , in this case,

- (1)  $U_{k_l} \cap D \subset d'_l$  and, in addition,
- (2)  $\gamma_l$  separates  $\gamma_{l-1}$  from  $\sigma_{k_l}$  in  $D$ ,
- (3)  $\sigma_{k_l} \in d'_l$ ;

$$(4) \quad \gamma_{l+1} \subset U_{k_l} \cap D.$$

Let us show that  $\gamma_l$  separates  $\gamma_{l+1}$  from  $\gamma_{l-1}$  for any  $l \in \mathbb{N}$ , more precisely, show that  $\gamma_{l+1} \subset d'_l$  and  $\gamma_{l-1} \subset D \setminus d'_l$ . Indeed, step by step (1) and (4)  $\gamma_{l+1} \subset U_{k_l} \cap D \subset d'_l$ . Since as proved,  $\gamma_l$  separates  $\gamma_{l-1}$  from  $\sigma_{k_l}$  in  $D$  and  $\sigma_{k_l} \subset d'_l$  by (3), by [28, Theorem 1.1.5, §46]  $\gamma_{l-1} \subset D \setminus d'_l$ , as required to establish.

It follows from the above that the sequence of cuts  $\gamma_l$ ,  $l = 1, 2, \dots$ , forms a chain. Note that the sequences of cuts  $\gamma_l$  and  $\sigma_k$  are equivalent. Indeed, given  $l \in \mathbb{N}$ , by the property (1)  $U_{k_l} \cap D \subset d'_l$ , therefore also  $U_k \cap D \subset d'_l$  for  $k \geq k_l$ . Conversely, fix  $k \in \mathbb{N}$  and consider the corresponding number  $l = l(k) \in \mathbb{N}$  such that  $k_l \geq k$ , where  $k_l$ ,  $l = 1, 2, \dots$  is the subsequence constructed above. Notice, that  $d'_{l+1}$  belongs to exactly one of the components of  $D \setminus \sigma_{k_l}$ , namely, either  $d'_{l+1} \subset U_{k_l} \cap D$ , or  $d'_{l+1} \subset D \setminus U_{k_l}$ . On the other hand, by the condition (3)  $\sigma_{k_{l+1}} \subset d'_{l+1}$ , in addition,  $\sigma_{k_{l+1}} \subset U_{k_{l+1}-1} \cap D \subset U_{k_l} \cap D$ , because  $\sigma_k$ ,  $k = 1, 2, \dots$  is a chain of cuts. Moreover,  $k_{l+1} - 1 \geq k_l$ . In this case,  $d'_{l+1}$  belongs to the component of  $D \setminus \sigma_{k_l}$ , containing  $\sigma_{k_{l+1}}$ , that is,  $d'_l \subset U_{k_l} \cap D \subset U_k \cap D$ . Then also  $d'_l \subset U_k \cap D$  for any  $l \geq l(k)$ . Equivalence of chains  $\gamma_l$  and  $\sigma_k$  is established. Lemma 4.1 is completely proved.  $\square$

The following lemma is technically necessary to establish the main result on the boundary behavior of mappings. We have specially highlighted it into a separate statement, emphasizing that it refers to mappings satisfying rather general topological conditions.

**Lemma 4.2.** *Let  $D$  and  $D_*$  be domains on Riemannian surfaces  $\mathbb{S}$  and  $\mathbb{S}_*$ , respectively, let  $\overline{D}_*$  be a compactum in  $\mathbb{S}_*$ , let  $p_0 \in \partial D$  and let  $Q : D \rightarrow (0, \infty)$  be a given function measurable with respect to measure  $\tilde{h}$ . Let also  $f : D \rightarrow D_*$  be an open discrete closed mapping of the domain  $D$  onto the domain  $f(D) = D_*$ . Suppose the domain  $D$  has a locally quasiconformal boundary, and the boundary of the domain  $D_*$  is strongly accessible.*

*Suppose that  $p_0 \in \partial D$ , and that there are at least two sequences  $p_i, p'_i \in D$ ,  $i = 1, 2, \dots$ , such that  $p_i \rightarrow p_0$ ,  $p'_i \rightarrow p_0$  as  $i \rightarrow \infty$ ,  $f(p_i) \rightarrow y$ ,  $f(p'_i) \rightarrow y'$  as  $i \rightarrow \infty$  and  $y' \neq y$ .*

*Then there are  $0 < \delta'_0$  and  $l_0 > 0$  such that the inequality*

$$l(f(\tilde{S}(p_0, r) \cap D)) \geq l_0, \quad \forall r \in (0, \delta'_0), \quad (4.1)$$

*where  $l$  denotes the length of the path (dashed line) on the Riemannian surface  $\mathbb{S}_*$ .*

*Proof.* By the definition of a strongly accessible boundary at the point  $y \in \partial D_*$ , for the neighborhood  $U$  of the point  $y$ , not containing the point  $y'$ , there is a compact set  $C'_0 \subset D_*$ , a neighborhood  $V$  of the point  $y$ ,  $V \subset U$ , and a number  $\delta > 0$  such that

$$M(\Gamma(C'_0, F, D_*)) \geq \delta > 0 \quad (4.2)$$

for an any continuum  $F$ , intersecting  $\partial U$  and  $\partial V$ . By Lemma 4.1, there is a sequence of neighborhoods  $U_i$ ,  $i = 1, 2, \dots$ , of  $p_0$ , such that the set  $d_i := U_i \cap D$  is connected. Without loss of generality, we may assume that  $p_i$  and  $p'_i$  belong to  $d_i$ . In this case, join the points  $p_i$  and  $p'_i$  by the path  $\alpha_i$ , lying in  $d_i$ . Since  $f(p_i) \in V$  and  $f(p'_i) \in D \setminus \overline{U}$  for sufficiently large  $i \in \mathbb{N}$ , there is a number  $i_0 \in \mathbb{N}$ , such that by (4.2)

$$M(\Gamma(C'_0, f(|\alpha_i|), D_*)) \geq \delta > 0 \quad (4.3)$$

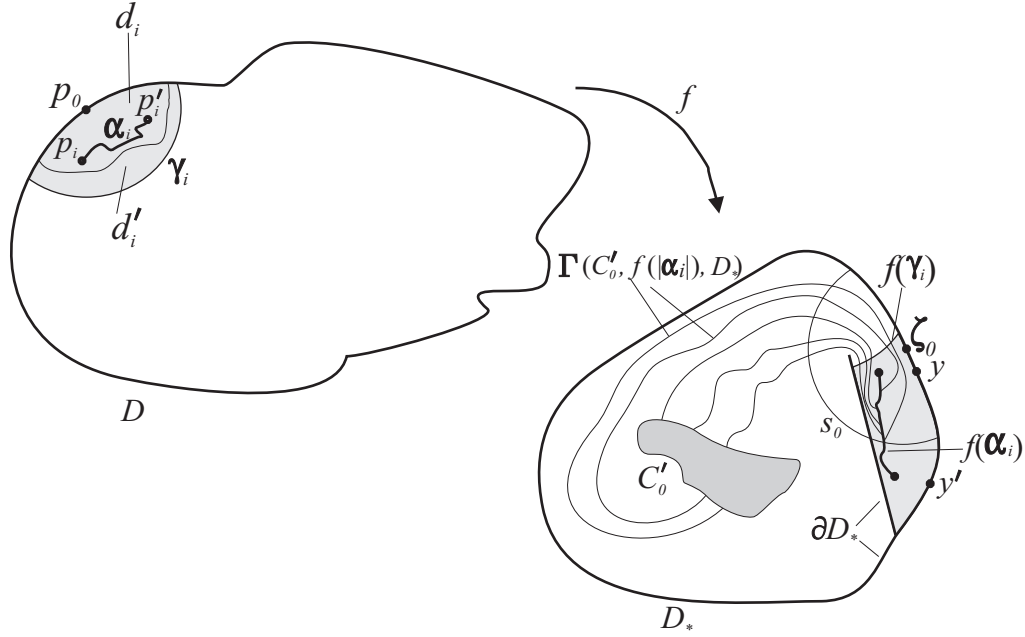


Figure 4: To the proof of Lemma 4.2

for any  $i \geq i_0 \in \mathbb{N}$  (see Figure 4). Let us prove Lemma 4.2 by contradiction. Suppose that (4.1) does not hold. Then for any  $k \in \mathbb{N}$  there is  $r = r_k > 0$  such that  $l(f(\tilde{S}(p_0, r_k) \cap D)) < 1/k$ ,  $r_k \rightarrow 0$ ,  $k \rightarrow \infty$ . By Lemma 4.1, there is a subsequence  $r_{k_i}$  of the sequence  $r_k$  and some sequence of arcs  $\gamma_i \subset \tilde{S}(p_0, r_{k_i})$  such that  $d_i \subset d'_i$  and  $d'_i$  is the corresponding component of the set  $D \setminus |\gamma_i|$ ,  $i = 1, 2, \dots$ . Let  $\zeta_i$ ,  $i = 1, 2, \dots$ , is an arbitrary sequence of points from  $f(|\gamma_i|)$ . Since  $\overline{D_*}$  is a compactum in  $\mathbb{S}_*$ , we may assume that  $\zeta_i \rightarrow \zeta_0$  as  $i \rightarrow \infty$ ,  $\zeta_0 \in \overline{D_*}$ . Observe that  $\zeta_i = f(x_i)$ ,  $x_i \in \tilde{S}(p_0, r_{k_i}) \cap D$ , so  $\zeta_0 \in \partial D_*$  by the closeness of the mapping  $f$  and Proposition 4.1.

Note that, since the mapping  $f$  is closed, there is a number  $i_0 \in \mathbb{N}$  such that

$$C'_0 \subset D_* \setminus \overline{f(d'_i)}. \quad (4.4)$$

for  $i \geq i_0$ . Indeed, if we assume that the inclusion (4.4) fails, then there is a sequence  $i_m > 0$ ,  $m = 1, 2, \dots$ ,  $i_m \rightarrow \infty$  as  $m \rightarrow \infty$ , and  $y_m \in \overline{f(d'_{i_m})} \cap C'_0$ . Since  $C'_0$  is a compactum in  $f(D)$ , we may assume that  $y_m \rightarrow y_0 \in C'_0$  as  $m \rightarrow \infty$ . Since  $y_m \in \overline{f(d'_{i_m})} \cap C'_0$ , for any  $m \in \mathbb{N}$  there is a sequence  $y_{km} \in \overline{f(d'_{i_m})}$  such that  $y_{km} \rightarrow y_m$  as  $k \rightarrow \infty$ . Observe that  $y_{km} = f(q_{km})$ ,  $q_{km} \in d'_{i_m}$ .

Due to the convergence of  $y_{k_1}$  to  $y_1$ , for the number  $1/2$ , there is a number  $k_1$  such that  $\tilde{h}_*(y_1, y_{k_1}) < 1/2$ . Similarly, due to the convergence of  $y_{k_1}$  to  $y_2$ , for the number  $1/4$  there is a number  $k_2$  such that  $\tilde{h}_*(y_2, y_{k_2}) < 1/4$ . Generally, since  $y_{km}$  converges to  $y_m$ , for the number  $1/2^m$  there is a number  $k_m$  such that  $\tilde{h}_*(y_m, y_{k_m m}) < 1/2^m$ . But then, since by the construction of  $y_m \rightarrow y_0$  as  $m \rightarrow \infty$ , for any fixed  $\varepsilon > 0$  we have that

$$\tilde{h}_*(y_0, y_{k_m m}) \leq \tilde{h}_*(y_0, y_m) + \tilde{h}_*(y_m, y_{k_m m}) \leq \varepsilon + 1/2^m$$

for any  $m \geq M = M(\varepsilon)$ , and thus  $y_{k_m m} \rightarrow y_0$  as  $m \rightarrow \infty$ . But, on the other hand,  $y_{k_m m} = f(q_{k_m m})$ ,  $q_{k_m m} \in d'_{i_m}$ , therefore  $y_0 \in C(f, p_0)$ , which contradicts the closeness of the

mapping  $f$ . Indeed, by Lemma 4.1 there exists a sequence  $t_i > 0$ ,  $t_i \rightarrow 0$  as  $i \rightarrow \infty$ , such that  $d'_i \subset \tilde{B}(p_0, t_i)$ . Then  $y_0 \in C(f, \partial D) \subset \partial D_*$  (see Proposition 4.1). At the same time,  $y_0 \in C'_0$ , that is,  $y_0$  is an inner point of the domain  $D_*$ . The resulting contradiction indicates the validity of the inclusion (4.4).

Let us now show that

$$\partial f(d'_i) \cap f(D) \subset f(|\gamma_i|) \quad (4.5)$$

for any  $i \in \mathbb{N}$ .

Indeed, let  $y_0 \in \partial f(d'_i) \cap f(D)$ , then there is a sequence  $y_m \in f(d'_i) \cap f(D)$  such that  $y_m \in f(d'_i) \cap f(D)$ ,  $y_m \rightarrow y_0$  as  $m \rightarrow \infty$ , where  $y_m = f(\xi_m)$ ,  $\xi_m \in d'_i$ . Without loss of generality, we may assume that  $\xi_m \rightarrow \xi_0$  as  $m \rightarrow \infty$ . Note that the case  $\xi_0 \in \partial D$  is impossible, since in this case  $y_0 \in C(f, \partial D)$ , which contradicts the closeness of the mapping  $f$ . Then  $\xi_0 \in D$ . Two situations are possible: 1)  $\xi_0 \in d'_i$  and 2)  $\xi_0 \in |\gamma_i|$ . Note that case 1) is impossible, since, in this case,  $f(\xi_0) = y_0$  and  $y_0$  is an inner point of the set  $f(d'_i)$  by the openness of the mapping  $f$ , which contradicts the choice of  $y_0$ . Thus, the inclusion (4.5) is established.

By the assumption  $l(f(\tilde{S}(p_0, r_k) \cap D)) < 1/k$ ,  $r_k \rightarrow 0$  as  $k \rightarrow \infty$ , we obtain that

$$\tilde{h}_*(f(|\gamma_i|)) \rightarrow 0$$

as  $i \rightarrow \infty$ ,  $\tilde{h}_*(f(|\gamma_i|)) := \sup_{p_*, q_* \in f(|\gamma_i|)} \tilde{h}_*(p_*, q_*)$ . Then, for any  $s \in \mathbb{N}$  there is a number  $i_s \in \mathbb{N}$  such that  $f(|\gamma_{i_s}|) \subset \tilde{B}(\zeta_0, 1/s)$ . Since  $C'_0$  is a compactum in  $D_*$ , there is  $s_0 \geq 1$  such that  $C'_0 \cap \tilde{B}(\zeta_0, 1/s_0) = \emptyset$ .

Now, note that  $\Gamma(f(|\gamma_{i_s}|), C'_0, D_*) > \Gamma(\tilde{S}(\zeta_0, 1/s_0), \tilde{S}(\zeta_0, 1/s), D_*)$  for any  $s > s_0$  (see [28, Theorem 1.I.5, § 46]). Hence, by the minorization of the modulus of families of paths and by Proposition 4.3

$$M(\Gamma(f(|\gamma_{i_s}|), C'_0, D_*)) \leq M(\Gamma(\tilde{S}(\zeta_0, 1/s_0), \tilde{S}(\zeta_0, 1/s), D_*)) \rightarrow 0 \quad (4.6)$$

as  $s \rightarrow \infty$ . On the other hand, recall that  $|\alpha_{i_s}| \subset d_{i_s} \subset d'_{i_s}$ . Now, by (4.4)

$$|\beta| \cap f(d'_{i_s}) \neq \emptyset \neq |\beta| \cap (D_* \setminus f(d'_{i_s})),$$

for any path  $\beta \in \Gamma(f(|\alpha_{i_s}|), C'_0, D_*)$ . Thus, by [28, Theorem 1.I.5, § 46] and by (4.5),

$$\Gamma(f(|\alpha_{i_s}|), C'_0, D_*) > \Gamma(f(|\gamma_{i_s}|), C'_0, D_*).$$

From this and by (4.6), we obtain  $M(\Gamma(f(|\alpha_{i_s}|), C'_0, D_*)) \rightarrow 0$  as  $s \rightarrow \infty$ , which contradicts relation (4.3). The resulting contradiction indicates the validity of the inequality (4.1).  $\square$

**Theorem 4.1.** *Let  $D$  and  $D_*$  be domains on Riemannian surfaces  $\mathbb{S}$  and  $\mathbb{S}_*$ , respectively, let  $\overline{D_*}$  be a compactum in  $\mathbb{S}_*$ , let  $p_0 \in \partial D$  and let  $Q : D \rightarrow (0, \infty)$  be a given function measurable with respect to the measure  $\tilde{h}$ . Let also  $f : D \rightarrow D_*$  be an open discrete closed mapping of  $D$  onto  $f(D) = D_*$  with the condition (1.7) at the point  $p_0$ . Suppose that the*

domain  $D$  has a locally quasiconformal boundary, and the boundary of the domain  $D_*$  is strongly accessible. If the relations

$$\int_{\varepsilon}^{\varepsilon_0} \frac{dt}{\|Q\|(t)} < \infty, \quad \int_0^{\varepsilon_0} \frac{dt}{\|Q\|(t)} = \infty, \quad (4.7)$$

hold for some  $0 < \varepsilon_0$  and any  $\varepsilon \in (0, \varepsilon_0)$ , where  $\|Q\|(r) := \int_{\tilde{S}(p_0, r)} Q(p) ds_{\tilde{h}}(p)$ , then  $f$  has a continuous extension to  $p_0$ .

*Proof.* Suppose the opposite. Then, since  $\overline{D_*}$  is compact in  $\mathbb{S}_*$ , there are at least two sequences  $p_i, p'_i \in D$ ,  $i = 1, 2, \dots$ , such that  $p_i \rightarrow p_0$ ,  $p'_i \rightarrow p_0$  as  $i \rightarrow \infty$ ,  $f(p_i) \rightarrow y$ ,  $f(p'_i) \rightarrow y'$  as  $i \rightarrow \infty$  and  $y' \neq y$ . Let  $\Gamma_i^\delta$  be a family of all dished lines  $f(\tilde{S}(p_0, r) \cap D)$ ,  $r \in (2^{-i}, \delta)$ . By Lemmas 2.3 and 2.1, there is  $0 < d_0 < \sup_{p \in D} \tilde{h}(p, p_0)$  such that

$$M(\Gamma_i^{\delta_0}) \geq \int_{2^{-i}}^{\delta_0} \frac{dr}{\|Q\|(r)} \quad \forall i \in \mathbb{N}, \quad (4.8)$$

for any  $0 < \delta_0 < d_0$ , where  $\|Q\|(r) = \int_{D(p_0, r)} Q(p) ds_{\tilde{h}}(p)$  denotes  $L_1$ -norm of the function  $Q$  under the circle  $D(p_0, r) := \tilde{S}(p_0, r) \cap D$ . By (4.8) and (4.7) we obtain that

$$M(\Gamma_i^{\delta_0}) \rightarrow \infty, \quad i \rightarrow \infty. \quad (4.9)$$

On the other hand, by Lemma 4.2 there are  $0 < \delta'_0 < d_0$  and  $l_0 > 0$  such that

$$l(f(\tilde{S}(p_0, r) \cap D)) \geq l_0, \quad \forall r \in (0, \delta'_0),$$

where  $l$  denotes the length of the dished line in  $\mathbb{S}_*$ . In particular, the function

$$\rho(p) = \begin{cases} 1/l_0, & p \in D_*, \\ 0, & p \notin D_* \end{cases}$$

is admissible for  $\Gamma_i^{\delta'_0}$ ,  $0 < \delta'_0 < d_0$ . Since  $\overline{D_*}$  is a compactum in  $\mathbb{S}_*$ , the  $\tilde{h}_*$ -area of  $D_*$  is finite. Therefore,

$$M(\Gamma_i^{\delta'_0}) \leq 1/l_0^2 \cdot \tilde{h}_*(D_*) < \infty.$$

The last condition contradicts the relation (4.9) for  $\delta_0 := \delta'_0$ , which refutes the assumption that the mapping  $f$  has no limit at the point  $p_0$ .  $\square$

*Proof of Theorem 1.2* follows immediately from Theorems 1.1 and 4.1.  $\square$

Let  $p_0 \in \mathbb{S}$  and let  $\varphi : \mathbb{S} \rightarrow \mathbb{R}$  be a function integrable in some neighborhood  $U$  of the point  $p_0$  with respect to  $\tilde{h}$ . Following [29, Section 2] (see also [8, Section 6.1, Ch. 6]), we say that a function  $\varphi : \mathbb{S} \rightarrow \mathbb{R}$  has a *finite mean oscillation* at the point  $p_0 \in D$ , we write  $\varphi \in FMO(p_0)$ , if

$$\limsup_{\varepsilon \rightarrow 0} \frac{1}{\tilde{h}(\tilde{B}(p_0, \varepsilon))} \int_{\tilde{B}(p_0, \varepsilon)} |\varphi(p) - \bar{\varphi}_\varepsilon| d\tilde{h}(p) < \infty,$$

where  $\bar{\varphi}_\varepsilon = \frac{1}{\tilde{h}(\tilde{B}(p_0, \varepsilon))} \int_{\tilde{B}(p_0, \varepsilon)} \varphi(p) d\tilde{h}(p)$ . In what follows, we will talk about results related to the function of the finite mean oscillation, therefore it is extremely important for us to use the following two most important facts related to these functions.

Let  $D$  be a domain in  $\mathbb{S}$ , and let  $\varphi : \mathbb{S} \rightarrow \mathbb{R}$  be a nonnegative function with a finite mean oscillation at the point  $p_0 \in \bar{D} \subset \mathbb{S}$ ,  $\varphi(x) = 0$  for  $x \notin D$ . By [17, Theorem 7.2.2], the surface  $\mathbb{S}$  is locally Ahlfors 2-regular, so that by [9, Lemma 3]

$$\int_{\varepsilon < \tilde{h}(p, p_0) < \varepsilon_0} \frac{\varphi(p) d\tilde{h}(p)}{\left(\tilde{h}(p, p_0) \log \frac{1}{\tilde{h}(p, p_0)}\right)^2} = O\left(\log \log \frac{1}{\varepsilon}\right) \quad (4.10)$$

as  $\varepsilon \rightarrow 0$  for some  $0 < \varepsilon_0 < \text{dist}(p_0, \partial U)$  and some normal neighborhood  $U$  of the point  $p_0$ . The following statement may be proved similarly to [8, Lemma 7.4, Ch. 7], cf. [30, Lemma 3.7] or [10, Lemma 4.2].

**Proposition 4.4.** *Let  $p_0 \in \mathbb{S}$ , let  $U$  be some normal neighborhood of  $p_0$ ,  $0 < r_1 < r_2 < \text{dist}(p_0, \partial U)$ , and let  $Q : \mathbb{S} \rightarrow [0, \infty]$  be an integrable function in  $U$  with respect to the measure  $\tilde{h}$ . Set  $\tilde{A} = \tilde{A}(p_0, r_1, r_2) = \{p \in \mathbb{S} : r_1 < \tilde{h}(p, p_0) < r_2\}$ ,  $\|Q\|(r) = \int_{\tilde{S}(p_0, r)} Q(p) ds_{\tilde{h}}(p)$ ,*

$\eta_0(r) := \frac{1}{J \cdot \|Q\|(r)}$ , where  $J = J(p_0, r_1, r_2) := \int_{r_1}^{r_2} \frac{dr}{\|Q\|(r)}$ . Then

$$\begin{aligned} J^{-1} &= \int_{\tilde{A}(p_0, r_1, r_2)} Q(p) \cdot \eta_0^2(\tilde{h}(p, p_0)) d\tilde{h}(p) \leq \\ &\leq \int_{\tilde{A}(p_0, r_1, r_2)} Q(p) \cdot \eta^2(\tilde{h}(p, p_0)) d\tilde{h}(p) \end{aligned} \quad (4.11)$$

for any Lebesgue measurable function  $\eta : (r_1, r_2) \rightarrow [0, \infty]$  such that  $\int_{r_1}^{r_2} \eta(r) dr = 1$ .

We now state and prove the following statement.

**Theorem 4.2.** *The conclusion of Theorem 1.2 holds, if instead of conditions (1.8) we require that  $Q \in FMO(p_0)$ .*

*Proof.* Set  $\psi(t) = \frac{1}{(t \log \frac{1}{t})}$ . Observe that  $I(\varepsilon, \varepsilon_0) := \int_{\varepsilon}^{\varepsilon_0} \psi(t) dt \geq \log \frac{\log \frac{1}{\varepsilon}}{\log \frac{1}{\varepsilon_0}}$ . Set  $\eta(t) := \psi(t)/I(\varepsilon, \varepsilon_0)$ . Then, by the relation (4.10), there is a constant  $C > 0$  such that

$$\begin{aligned} \int_{\tilde{A}(p_0, \varepsilon, \varepsilon_0)} Q(p) \cdot \eta^2(\tilde{h}(p, p_0)) d\tilde{h}(p) &= \frac{1}{I^2(\varepsilon, \varepsilon_0)} \int_{\varepsilon < \tilde{h}(p, p_0) < \varepsilon_0} \frac{Q(p) d\tilde{h}(p)}{\left(\tilde{h}(p, p_0) \log \frac{1}{\tilde{h}(p, p_0)}\right)^2} \leq \\ &\leq C \cdot \left(\log \frac{\log \frac{1}{\varepsilon}}{\log \frac{1}{\varepsilon_0}}\right)^{-1} \rightarrow 0 \end{aligned} \quad (4.12)$$

as  $\varepsilon \rightarrow 0$ . Then by (4.11), taking into account (4.12), conditions (1.8) follow, in view of which the required conclusion follows directly from Theorem 1.2.  $\square$

## 5 Equicontinuity of families homeomorphisms

Our immediate goal is to prove the equicontinuity of the classes of mappings consisting of Sobolev homeomorphisms of finite distortion. First of all, let us clarify the question on the equicontinuity of these families at the inner points of the domain. Let us recall some definitions. Let  $(X, d)$  and  $(X', d')$  be metric spaces with distances  $d$  and  $d'$ , respectively. A family  $\mathfrak{F}$  of mappings  $f : X \rightarrow X'$  is called *equicontinuous at the point*  $x_0 \in X$ , if for any  $\varepsilon > 0$  there is  $\delta > 0$  such that  $d'(f(x), f(x_0)) < \varepsilon$  for all  $x \in X$  such that  $d(x, x_0) < \delta$  and for all  $f \in \mathfrak{F}$ . A family  $\mathfrak{F}$  is *equicontinuous* if  $\mathfrak{F}$  is equicontinuous at every point  $x_0 \in X$ . Everywhere below, unless otherwise stated,  $(X, d) = (\mathbb{S}, \tilde{h})$  and  $(X', d') = (\mathbb{S}_*, \tilde{h}_*)$  are Riemannian surfaces with metrics  $\tilde{h}$  and  $\tilde{h}_*$ , respectively.

Let  $Q : \mathbb{S} \rightarrow [0, \infty]$  be a function measurable with respect to the measure  $\tilde{h}$  function,  $Q(x) \equiv 0$  for  $x \notin D \subset \mathbb{S}$ . We say that  $f : D \rightarrow \mathbb{S}_*$  is a *ring  $Q$ -mapping at*  $p_0 \in \overline{D}$ , if the relation

$$M(f(\Gamma(E_1, E_2, D))) \leq \int_A Q(p) \cdot \eta^2(\tilde{h}(p, p_0)) d\tilde{h}(p), \quad (5.1)$$

holds for some  $r_0 = r(p_0) > 0$ , any ring  $\tilde{A} = \tilde{A}(p_0, r_1, r_2) = \{p \in \mathbb{S} : r_1 < \tilde{h}(p, p_0) < r_2\}$ ,  $0 < r_1 < r_2 < r_0$ , and any continua  $E_1 \subset \tilde{B}(p_0, r_1) \cap D$ ,  $E_2 \subset (\mathbb{S} \setminus \tilde{B}(p_0, r_2)) \cap D$ , where  $\eta : (r_1, r_2) \rightarrow [0, \infty]$  may be arbitrary nonnegative Lebesgue measurable function such that

$$\int_{r_1}^{r_2} \eta(r) dr \geq 1. \quad (5.2)$$

The next definition can be found, e.g., in [31]. A domain  $D \subset \mathbb{S}$  is called a *uniform* if for every  $r > 0$  there is  $\delta > 0$  such that  $M(\Gamma(F, F^*, D)) \geq \delta$  for any continua  $F$  and  $F^*$  in  $D$ , satisfying the conditions  $\tilde{h}(F) \geq r$  and  $\tilde{h}(F^*) \geq r$ . Domains  $D_i$ ,  $i \in I$ , are called *equi-uniform* if for each  $r > 0$  the above the inequality holds for every  $D_i$  with the same number  $\delta$ .

For a given  $\delta > 0$ ,  $D \subset \mathbb{S}$  and a measurable function  $Q : D \rightarrow [0, \infty]$  with respect to the measure  $\tilde{h}$ , we denote by  $\mathfrak{R}_{Q, \delta}(D)$  the family of all homeomorphisms  $f : D \rightarrow \mathbb{S}_* \setminus G_f$  of class  $W_{\text{loc}}^{1,1}$  with finite a distortion, such that  $K_f(p) \leq Q(p)$  for almost all  $p \in D$ , where  $G_f$  is some continuum in  $\mathbb{S}_*$  and  $\tilde{h}_*(G_f) = \sup_{x, y \in G_f} \tilde{h}_*(x, y) \geq \delta$ . The following statement holds.

**Lemma 5.1.** *The family  $\mathfrak{R}_{Q, \delta}(D)$  is equicontinuous in  $D$ , if  $\mathbb{S}_*$  is a uniform domain,  $Q \in L_{\text{loc}}^1$  and, for any  $p_0 \in D$ , one of the following conditions is satisfied: either (1.8), or  $Q \in FMO(p_0)$ .*

*Proof.* Since  $\mathbb{S}$  is a manifold,  $\mathbb{S}$  is locally compact and locally path connected. Besides that,  $f(D)$  is a domain by Brower's theorem, see [32, Theorem VI 9 and Corollary].

Observe that the condition

$$\int_{\varepsilon < \tilde{h}(p, p_0) < \varepsilon_0} Q(x) \cdot \psi^2(\tilde{h}(p, p_0)) d\tilde{h}(p) = o(I^2(\varepsilon, \varepsilon_0)) \quad (5.3)$$



holds as  $\varepsilon \rightarrow 0$  for some nonnegative measurable function  $\psi : (0, \infty) \rightarrow (0, \infty)$  such that  $I(\varepsilon, \varepsilon_0) := \int_{\varepsilon}^{\varepsilon_0} \psi(t) dt < \infty$  for some  $\varepsilon_0 > 0$  and any  $\varepsilon \in (0, \varepsilon_0)$ .

Indeed, if the relations (1.8) hold, then (5.3) holds by Proposition 4.4 by selecting a function  $I(\varepsilon, \varepsilon_0) := \int_{\varepsilon}^{\varepsilon_0} \frac{dr}{\|Q\|(r)}$ . If  $Q \in FMO(p_0)$  at any  $p_0 \in D$ , then, by the reasoning given in the proof of Theorem 4.2, conditions (1.8) are satisfied, and therefore, by what was proved above, (5.3) holds.

Finally, by [12, Lemma 3.1], the mapping  $f \in \mathfrak{R}_{Q,\delta}(D)$  satisfies (5.1) in  $D$ , therefore the desired conclusion follows from [25, Lemma 5.1].  $\square$

Let us turn to the question on the equicontinuity of mappings in the closure of a domain. For this purpose, consider the following class mappings. Given  $\delta > 0$ ,  $D \subset \mathbb{S}$ , a continuum  $A \subset D$  and a measurable function  $Q : D \rightarrow [0, \infty]$  we denote  $\mathfrak{F}_{Q,\delta,A}(D)$  the family of all Sobolev homeomorphisms  $f : D \rightarrow \mathbb{S}_* \setminus G_f$  with a finite distortion such that  $G_f \subset \mathbb{S}_*$  is some continuum satisfying the condition  $\tilde{h}_*(G_f) = \sup_{x,y \in G_f} \tilde{h}_*(x,y) \geq \delta$ , moreover,  $\tilde{h}_*(f(A)) \geq \delta$ .

An analogue of the following theorem was obtained in [31, Theorem 3.1] for quasiconformal mappings of the Euclidean space.

**Lemma 5.2.** *Let  $D$  be a domain in  $\mathbb{S}$  and  $Q : \mathbb{S} \rightarrow (0, \infty)$  is a function locally integrable in  $D$ ,  $Q(x) \equiv 0$  for  $x \in \mathbb{S} \setminus D$ . Assume that, for any point  $p_0 \in \overline{D}$  there are  $\varepsilon_0 = \varepsilon_0(p_0) > 0$  and a function  $\psi : (0, \infty) \rightarrow (0, \infty)$  such that*

$$I(\varepsilon, \varepsilon_0) := \int_{\varepsilon}^{\varepsilon_0} \psi(t) dt < \infty \quad \forall \varepsilon \in (0, \varepsilon_0) \quad (5.4)$$

and, in addition,

$$\int_{\varepsilon < \tilde{h}(p,p_0) < \varepsilon_0} Q(x) \cdot \psi^2(\tilde{h}(p,p_0)) d\tilde{h}(p) = o(I^2(\varepsilon, \varepsilon_0)), \quad \varepsilon \rightarrow 0. \quad (5.5)$$

Let  $D_f = f(D)$ . Assume also that  $D$  is locally connected on  $\partial D$ ,  $\overline{D}_f$  is a compact in  $\mathbb{S}_*$  for any  $f \in \mathfrak{F}_{Q,\delta,A}(D)$ , besides that, domains  $D_f$  and  $\mathbb{S}_*$  are equi-uniform over  $f \in \mathfrak{F}_{Q,\delta,A}(D)$ . Then any  $f \in \mathfrak{F}_{Q,\delta,A}(D)$  has a continuous extension  $\overline{f} : \overline{D} \rightarrow \overline{D}_f$  and, besides that, the family  $\mathfrak{F}_{Q,\delta,A}(\overline{D})$  consisting of all extended mappings  $\overline{f} : \overline{D} \rightarrow \overline{D}_f$  is equicontinuous in  $\overline{D}$ .

*Proof.* Observe that  $\partial D_f = \partial f(D)$  is strongly accessible for any  $f \in \mathfrak{F}_{Q,\delta,A}(D)$ . Indeed, let  $x_0 \in \partial D_f$  and let  $U$  be an arbitrary neighborhood of  $x_0$ . Choose  $\varepsilon_1 > 0$  such that  $V := \tilde{B}(x_0, \varepsilon_1)$ ,  $\overline{V} \subset U$ . Let  $\partial U \neq \emptyset$  and  $\partial V \neq \emptyset$ . Now  $\varepsilon_2 := \tilde{h}_*(\partial U, \partial V) > 0$ . Observe that, the inequalities  $\tilde{h}_*(F) \geq \varepsilon_2$  and  $\tilde{h}_*(G) \geq \varepsilon_2$  hold for any  $F$  and  $G$  in  $D_f$  satisfying the conditions  $F \cap \partial U \neq \emptyset \neq F \cap \partial V$  and  $G \cap \partial U \neq \emptyset \neq G \cap \partial V$ . Now, by the uniformity of  $D_f$  there is  $\delta > 0$  depending only on  $\varepsilon_2$  such that

$$M(\Gamma(F, G, D_f)) \geq \delta.$$

Thus,  $\partial D_f$  is strongly accessible. Now, by [12, Lemma 6.1] any  $f \in \mathfrak{F}_{Q,\delta,A}(D)$  has a continuous extension  $f : \overline{D} \rightarrow \overline{D}_f$ .

Observe that  $\mathfrak{F}_{Q,\delta,A}(D) \subset \mathfrak{R}_{Q,\delta}(D)$ . Besides that, by (5.4)–(5.5) we obtain that the divergence conditions (1.8) hold. Indeed, in (4.11) we set  $\eta(t) = \psi(t)/I(\varepsilon, \varepsilon_0)$  and let us use Proposition 4.4. Then the desired conclusion immediately follows from (4.11). In this case, the equicontinuity of the family  $\mathfrak{F}_{Q,\delta,A}(D)$  in the inner points of the domain  $D$  follows directly from Lemma 5.1.

It remains to prove the equicontinuity of the family  $\mathfrak{F}_{Q,\delta,A}(\overline{D})$  on  $\partial D$ . Suppose the opposite. Then there is  $p_0 \in \partial D$  and a number  $a > 0$  such that, for each  $m = 1, 2, \dots$  there is a point  $p_m \in \overline{D}$  and an element  $\overline{f}_m$  of the family  $\overline{f}_m \mathfrak{F}_{Q,\delta,A}(\overline{D})$  such that  $\tilde{h}(p_0, p_m) < 1/m$  и  $\tilde{h}_*(\overline{f}_m(p_m), \overline{f}_m(p_0)) \geq a$ . Since  $f_m := \overline{f}_m|_D$  has a continuous extension to the point  $p_0$ , we may assume that  $p_m \in D$ . In view of the same considerations, there is a sequence  $f_m := \overline{f}_m|_D p'_m \in D$ ,  $p'_m \rightarrow p_0$  as  $m \rightarrow \infty$  such that  $\tilde{h}_*(f_m(p'_m), \overline{f}_m(p_0)) \leq 1/m$ . Thus

$$\tilde{h}_*(f_m(p_m), f_m(p'_m)) \geq a/2 \quad \forall m \in \mathbb{N}. \quad (5.6)$$

Since  $D$  is locally connected at the point  $p_0 \in \partial D \subset \mathbb{S}$ , and  $\mathbb{S}$  is a smooth manifold,  $D$  is also locally path-connected at  $p_0$  (see [8, Proposition 13.1]). In other words, for any neighborhood  $U$  of the point  $p_0$  there is a neighborhood  $V \subset U$  of the same point such that  $V \cap D$  is a path-connected set. Then there is a sequence neighborhoods  $V_m$  of the point  $p_0$  with  $\tilde{h}(V_m) \rightarrow 0$  as  $m \rightarrow \infty$ , such that the sets  $D \cap V_m$  are domains and  $D \cap V_m \subset \tilde{B}(p_0, 2^{-m})$ . Without loss of generality, passing to a subsequence, if necessary, we may assume that  $p_0 \in \partial D \subset \mathbb{S}, p_m, p'_m \in D \cap V_m$ . Join the points  $p_m$  and  $p'_m$  of the path  $\gamma_m : [0, 1] \rightarrow \mathbb{S}$  such that  $\gamma_m(0) = p_m$ ,  $\gamma_m(1) = p'_m$  and  $\gamma_m(t) \in V_m \cap D$  for  $t \in (0, 1)$ . Denote by  $C_m$  the image of the path  $\gamma_m(t)$  under the mapping  $f_m$ . It follows from the relation (5.6) that

$$\tilde{h}_*(C_m) \geq a/2 \quad \forall m \in \mathbb{N}, \quad (5.7)$$

where  $\tilde{h}_*(C_m)$  the diameter of the set  $C_m$  in the metrics  $\tilde{h}_*$  (see Figure 5). Without loss of

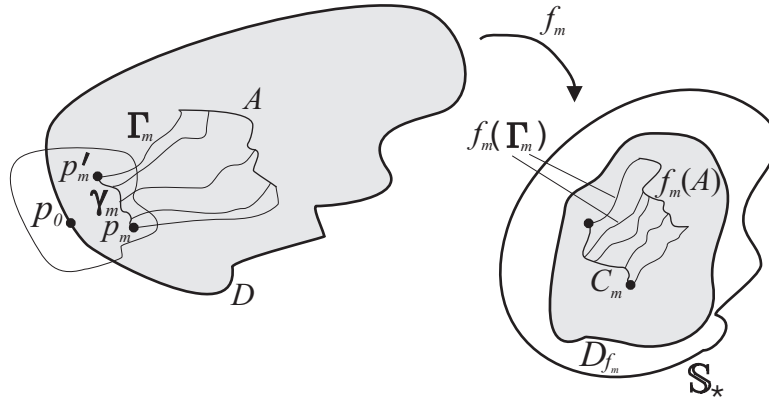


Figure 5: To the proof of Lemma 5.2

generality, we may assume that the continuum  $A$  from the definition of the family  $\mathfrak{F}_{Q,\delta,A}(D)$  is such that  $\tilde{B}(p_0, \varepsilon_0) \cap A = \emptyset$  and  $B(p_0, 2^{-m}) \cap A = \emptyset$ ,  $m = 1, 2, \dots$ . Let  $\Gamma_m$  be family of paths joining  $|\gamma_m|$  and  $A$  in  $D$ . By [12, Lemma 3.1] the mapping  $f \in \mathfrak{R}_{Q,\delta}(D)$  satisfies the relation (5.1) in  $\overline{D}$ , so that

$$M(f_m(\Gamma_m)) \leq \int_{\tilde{A}(p_0, 2^{-m}, \varepsilon_0)} Q(p) \cdot \eta^2(\tilde{h}(p, p_0)) d\tilde{h}(p) \quad (5.8)$$

for any Lebesgue measurable function  $\eta : (2^{-m}, \varepsilon_0) \rightarrow [0, \infty]$  such that  $\int_{2^{-m}}^{\varepsilon_0} \eta(r) dr \geq 1$ . Observe that, the function

$$\eta(t) = \begin{cases} \psi(t)/I(2^{-m}, \varepsilon_0), & t \in (2^{-m}, \varepsilon_0), \\ 0, & t \in \mathbb{R} \setminus (2^{-m}, \varepsilon_0), \end{cases}$$

где  $I(\varepsilon, \varepsilon_0) := \int_{\varepsilon}^{\varepsilon_0} \psi(t) dt$ , satisfies the condition (5.2) for  $r_1 := 2^{-m}$ ,  $r_2 := \varepsilon_0$ , therefore by (5.4)–(5.5) and (5.8) we obtain that

$$M(f_m(\Gamma_m)) \leq \alpha(2^{-m}) \rightarrow 0 \quad (5.9)$$

as  $m \rightarrow \infty$ , where  $\alpha(\varepsilon)$  is some nonnegative function converging to zero as  $\varepsilon \rightarrow 0$ , which exists by (5.4)–(5.5).

On the other hand, observe that  $f_m(\Gamma_m) = \Gamma(C_m, f_m(A), D_{f_m})$ , moreover,  $\tilde{h}(f_m(A)) \geq \delta$  for any  $m \in \mathbb{N}$  by the definition of the class  $\mathfrak{F}_{Q, \delta, A}(D)$ . Taking into account the relation (5.7) and the definition of an equally uniform family of domains, we conclude that there exists  $\sigma > 0$  such that

$$M(f_m(\Gamma_m)) = M(\Gamma(C_m, f_m(A), D_{f_m})) \geq \sigma \quad \forall m \in \mathbb{N},$$

which contradicts the condition (5.9). The resulting contradiction proves the lemma.  $\square$

By Lemma 5.2 and Proposition 4.4 and also the reasoning used in the proof of Theorem 4.2, we obtain the following statement.

**Theorem 5.1.** *Let  $D$  be a domain in  $\mathbb{S}$  and let  $Q : \mathbb{S} \rightarrow (0, \infty)$  be a function locally integrable in  $D$ ,  $Q(x) \equiv 0$  for  $x \in \mathbb{S} \setminus D$ . Assume that, for any  $p_0 \in D$ , one of the following conditions is satisfied: either (1.8), or  $Q \in FMO(p_0)$ . Let also  $D$  be locally path-connected on  $\partial D$ ,  $\overline{D_f} = \overline{f(D)}$  be a compactum in  $\mathbb{S}_*$  for any  $f \in \mathfrak{F}_{Q, \delta, A}(D)$ . Assume that the domains  $D_f$  and  $\mathbb{S}_*$  are equi-uniform over  $f \in \mathfrak{F}_{Q, \delta, A}(D)$ .*

*Then any  $f \in \mathfrak{F}_{Q, \delta, A}(D)$  has a continuous extension  $\overline{f} : \overline{D} \rightarrow \overline{D_f}$  and, in addition, the family  $\mathfrak{F}_{Q, \delta, A}(\overline{D})$ , consisting of all extended maps  $\overline{f} : \overline{D} \rightarrow \overline{D_f}$ , is equicontinuous in  $\overline{D}$ .*

## 6 Equicontinuity of Sobolev Classes with Branching

The question of the local and global behavior of mappings with a branching looks much more complicated, since for mappings of Riemannian surface estimates of the form (5.1) have not been established. Instead, we may only use the estimates (1.7) or (2.12), which are obtained in this paper. As in the previous section, let us start by investigation of mappings at interior points. Let us prove, first of all, the following auxiliary statement.

**Proposition 6.1.** *Let  $(X, d)$  be an arbitrary metric space with metric  $d$  and  $F_j$ ,  $j = 1, 2, \dots$ , be a sequence of continua in  $X$  such that  $d(F_j) = \sup_{x, y \in F_j} d(x, y) \geq \delta \quad \forall j = 1, 2, \dots$ . Let  $x_0 \in X$  and  $B(x_0, \delta/4) = \{x \in X : d(x, x_0) < \delta/4\}$ . Then there is  $\varepsilon_0 > 0$  and a sequence*

of continua  $C_j$  such that  $C_j \subset F_j \setminus B(x_0, \delta/4)$  and  $d(C_j) = \sup_{x,y \in C_j} d(x,y) \geq \delta/4$ ,  $j = 1, 2, \dots$

*Proof.* Fix  $j \in \mathbb{N}$ . If  $F_j \cap B(x_0, \delta/4) = \emptyset$ , there is nothing to prove. Let  $F_j \cap B(x_0, \delta/4) \neq \emptyset$ .

Since  $F_j$  is a continuum in  $X$ , there are  $x_j, y_j \in F_j$  such that  $d(F_j) = d(x_j, y_j)$ . Since  $d(F_j) \geq \delta$ , at least one of the points  $x_j$  or  $y_j$  does not belong to  $B(x_0, \delta/4)$ , because, otherwise, by the triangle inequality  $d(x_j, y_j) \leq d(x_j, x_0) + d(x_0, y_j) < \delta/2$ . Let, for definiteness,  $x_j \in D \setminus B(x_0, \delta/4)$ . Then two situations are possible:

1)  $y_j \in B(x_0, \delta/4)$ . Let  $C_j$  be  $x_j$ -component of  $F_j \setminus B(x_0, \delta/4)$ . Since  $F_j$  is connected and  $F_j \cap B(x_0, \delta/4) \neq \emptyset$ , we obtain that  $C_j \cap \overline{F_j \setminus C_j} \neq \emptyset$  (see, e.g., [28, Section I.5.46]). Observe that

$$F_j \setminus C_j = (F_j \cap B(x_0, \delta/4)) \cup \bigcup_{\alpha \in A} K_\alpha, \quad (6.1)$$

where  $A$  is some set of indices  $\alpha$  and  $\bigcup_{\alpha \in A} K_\alpha$  is a union of all components of  $F_j \setminus B(x_0, \delta/4)$ , except  $C_j$ . By [28, Theorem 1.III.46.5],  $K_\alpha$  and  $C_j$  are closed disjoint sets in  $F_j \setminus B(x_0, \delta/4)$ ,  $\alpha \in A$ . Then, by (6.1) the relation  $C_j \cap \overline{F_j \setminus C_j} \neq \emptyset$  is possible if and only if  $C_j \cap \overline{B(x_0, \delta/4)} \neq \emptyset$ . Then there is  $z_j \in C_j \cap S(x_0, \delta/4)$ . By the triangle inequality

$$\delta \leq d(x_j, y_j) \leq d(x_j, z_j) + d(z_j, y_j) < d(C_j) + \delta/2,$$

whence it follows that  $d(C_j) > \delta/2$ , as required. Consider the second situation:

2)  $y_j \in D \setminus B(x_0, \delta/4)$ . Let, as before,  $C_j$  be  $x_j$ -component of  $F_j \setminus B(x_0, \delta/4)$ , and let  $D_j$  be  $y_j$ -компонента  $F_j \setminus B(x_0, \delta/4)$ . Reasoning similar to the above, we conclude that there are  $z_j \in C_j \cap S(x_0, \delta/4)$  and  $z'_j \in D_j \cap S(x_0, \delta/4)$ . Then, by the triangle inequality

$$\delta \leq d(x_j, y_j) \leq d(x_j, z_j) + d(z_j, z'_j) + d(z'_j, y_j) \leq d(C_j) + d(D_j) + \delta/2,$$

whence it follows that either  $d(C_j) \geq \delta/4$ , or  $d(D_j) \geq \delta/4$ . The proposition is proved.  $\square$

The next statement concerns the situation in which the images of two points under mappings are separated by a fixed nonzero number. It will be shown below that in this case the length of the images of circles centered at one of the points under these mappings is separated from zero from below.

**Lemma 6.1.** *Let  $D_*$  be a uniform domain in  $\mathbb{S}_*$  such that  $\overline{D_*}$  is a compactum. Let  $f_k : D \rightarrow D_* \setminus G_k$ ,  $k = 1, 2, \dots$  be a family of mappings open in  $D$  such that  $\tilde{h}_*(G_k) = \sup_{x,y \in G_k} \tilde{h}_*(x,y) \geq \delta$ , where  $G_k \subset D_*$  is some continuum and the number  $\delta$  does not depend on  $k$ .*

Suppose that  $p_0 \in D$ ,  $p_k \in D$ ,  $k = 1, 2, \dots$ , and  $\delta_0 > 0$  such that  $p_k \rightarrow p_0$  as  $k \rightarrow \infty$  and

$$\tilde{h}_*(f_k(p_k), f_k(p_0)) \geq \delta_0 \quad k = 1, 2, \dots \quad (6.2)$$

Then there are  $l_0 > 0$ ,  $r_0 > 0$  and  $k_0 \geq 1$  such that

$$l(f_k(\tilde{S}(p_0, r))) \geq l_0, \quad \forall r \in (\tilde{h}(p_0, p_k), r_0), \quad \forall k \geq k_0, \quad (6.3)$$

where  $l$  denotes the length of the path on the Riemannian surface  $\mathbb{S}_*$ .

*Proof.* Suppose the opposite. Then for each  $i \in \mathbb{N}$  there are  $k_i > i$  and  $\tilde{h}(p_0, p_{k_i}) < r_i < 1/i$  such that

$$l(f_{k_i}(\tilde{S}(p_0, r_i))) < 1/i, \quad i = 1, 2, \dots, \quad r_i \rightarrow 0 \quad (6.4)$$

as  $i \rightarrow \infty$ . Without loss of generality, we may assume that the sequence numbers  $k_i$ ,  $i = 1, 2, \dots$  is increasing. Let  $\zeta_i$ ,  $i = 1, 2, \dots$ , be an arbitrary sequence of points from  $f_{k_i}(\tilde{S}(p_0, r_i))$ . Since  $\overline{D_*}$  is a compactum in  $\mathbb{S}_*$ , we may assume that  $\zeta_i \rightarrow \zeta_0$  as  $i \rightarrow \infty$ ,  $\zeta_0 \in \overline{D_*}$ . Note that  $\zeta_i = f_{k_i}(p'_i)$ ,  $p'_i \in \tilde{S}(p_0, r_i)$ , and that

$$G_{k_i} \subset D_* \setminus \overline{f_{k_i}(\tilde{B}(p_0, r_i))}, \quad (6.5)$$

because by the condition  $G_k \subset D_* \setminus f_k(D)$  for any  $k \in \mathbb{N}$ . Since  $f_{k_i}$  is open for any  $i \in \mathbb{N}$ , we obtain that

$$\partial f_{k_i}(\tilde{B}(p_0, r_i)) \subset f_{k_i}(\tilde{S}(p_0, r_i)). \quad (6.6)$$

The assumption (6.4) implies that

$$\tilde{h}_*(f_{k_i}(\tilde{S}(p_0, r_i))) \rightarrow 0$$

as  $i \rightarrow \infty$ ,  $\tilde{h}_*(f_{k_i}(\tilde{S}(p_0, r_i))) := \sup_{p_*, q_* \in f_{k_i}(\tilde{S}(p_0, r_i))} \tilde{h}_*(p_*, q_*)$ . Now, for any  $s \in \mathbb{N}$  there exists a number  $i_s \in \mathbb{N}$  such that

$$f_{k_i}(\tilde{S}(p_0, r_i)) \subset \tilde{B}(\zeta_0, 1/s), \quad i \geq i_s. \quad (6.7)$$

By Proposition 6.1, there is  $s_0 \in \mathbb{N}$  and a sequence  $E_{k_i}$  of continua such that

$$E_{k_i} \subset G_{k_i} \setminus \tilde{B}(\zeta_0, 1/s_0), \quad \tilde{h}_*(E_{k_i}) \geq \delta/4, \quad i = 1, 2, \dots. \quad (6.8)$$

We fix  $s > s_0$  and consider the family  $\Gamma(f_{k_i}(\tilde{S}(p_0, r_i)), E_{k_i}, D_*)$  for  $i \geq i_s$ , see Figure 6. Let  $\gamma \in \Gamma(f_{k_i}(\tilde{S}(p_0, r_i)), E_{k_i}, D_*)$ , i.e.,  $\gamma = \gamma(t)$ ,  $t \in (0, 1)$ ,  $\gamma(0) \in f_{k_i}(\tilde{S}(p_0, r_i))$ ,  $\gamma(1) \in E_{k_i}$  and  $\gamma(t) \in D_*$  for  $t \in (0, 1)$ . By (6.7) and (6.8)  $|\gamma| \cap \tilde{B}(\zeta_0, 1/s) \neq \emptyset \neq |\gamma| \cap (D_* \setminus \tilde{B}(\zeta_0, 1/s))$ , therefore by [28, Theorem 1.I.5, § 46] there is  $t_1 \in (0, 1)$  such that  $\gamma(t_1) \in \tilde{S}(\zeta_0, 1/s)$ . Without loss of generality we may assume that  $\gamma(t) \in D_* \setminus \overline{\tilde{B}(\zeta_0, 1/s)}$  for  $t > t_1$ . Set  $\gamma_1 := \gamma|_{[t_1, 1]}$ . Again, by (6.7) and (6.8)  $|\gamma_1| \cap \tilde{B}(\zeta_0, 1/s_0) \neq \emptyset \neq |\gamma_1| \cap (D_* \setminus \tilde{B}(\zeta_0, 1/s_0))$ , therefore by [28, Theorem 1.I.5, § 46] there is  $t_2 \in (t_1, 1) : \gamma_1(t_2) \in \tilde{S}(\zeta_0, 1/s_0)$ . Without loss of generality we may assume that  $\gamma_1(t) \in \tilde{B}(\zeta_0, 1/s_0)$  for  $t \in (t_1, t_2)$ . Set  $\gamma_2 := \gamma_1|_{[t_1, t_2]}$ ,  $\gamma_2 \in \Gamma(\tilde{S}(\zeta_0, 1/s), \tilde{S}(\zeta_0, 1/s_0), \tilde{A}(\zeta_0, 1/s, 1/s_0), \tilde{A}(\zeta_0, 1/s, 1/s_0)) = \{p_* \in \mathbb{S}_* : 1/s < \tilde{h}_*(p_*, \zeta_0) < 1/s_0\}$ . From the above it follows that

$$\Gamma(f_{k_i}(\tilde{S}(p_0, r_i)), E_{k_i}, D_*) > \Gamma(\tilde{S}(\zeta_0, 1/s), \tilde{S}(\zeta_0, 1/s_0), \tilde{A}(\zeta_0, 1/s, 1/s_0)), \quad i \geq i_s,$$

and, therefore, in view of [33, Theorem 1(c)] and by Proposition 4.3

$$\begin{aligned} & M(\Gamma(f_{k_i}(\tilde{S}(p_0, r_i)), E_{k_i}, D_*)) \leq \\ & \leq M(\Gamma(\tilde{S}(\zeta_0, 1/s), \tilde{S}(\zeta_0, 1/s_0), \tilde{A}(\zeta_0, 1/s, 1/s_0))) \rightarrow 0 \end{aligned} \quad (6.9)$$

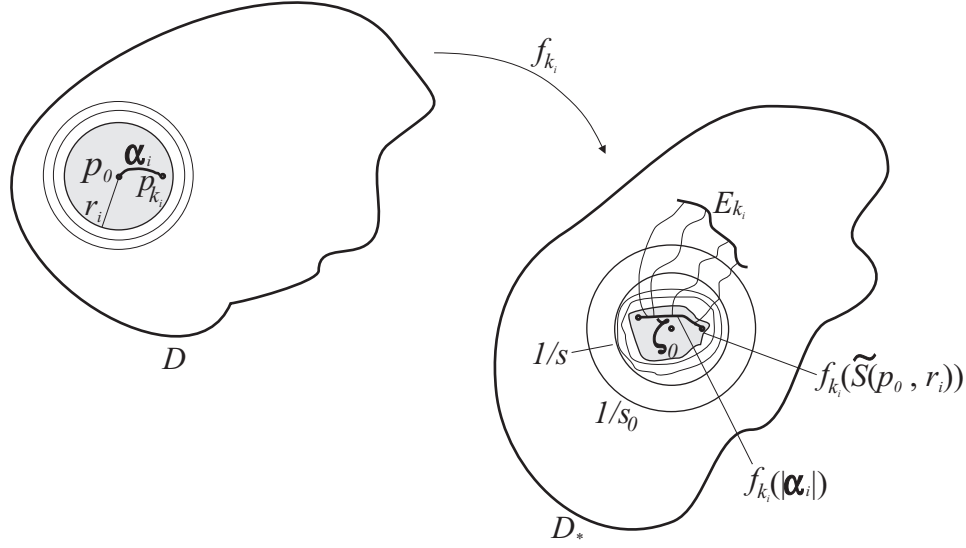


Figure 6: To the proof of Lemma 6.1

as  $s \rightarrow \infty$  for  $i \geq i_s$ . Let us fix  $\varepsilon > 0$  and find for it a number  $S = S(\varepsilon)$  such that

$$M(\Gamma(\tilde{S}(\zeta_0, 1/s), \tilde{S}(\zeta_0, 1/s_0), \tilde{A}(\zeta_0, 1/s, 1/s_0))) < \varepsilon, \quad s > S(\varepsilon).$$

Set  $I_0 = I_0(\varepsilon) := i_{S(\varepsilon)}$ . Now, it follows from (6.9) that

$$M(\Gamma(f_{k_i}(\tilde{S}(p_0, r_i)), E_{k_i}, D_*)) < \varepsilon, \quad i > I_0 = I_0(\varepsilon). \quad (6.10)$$

Since  $\mathbb{S}$  is a smooth manifold, we may consider that the balls  $\tilde{B}(p_0, r_i)$  are path connected for any  $i \in \mathbb{N}$ . Let  $\alpha_i$  be a path joining  $p_{k_i}$  and  $p_0$  in  $\tilde{B}(p_0, r_i)$ . By (6.2)  $\tilde{h}_*(f_{k_i}(|\alpha_i|)) \geq \delta_0$ . Now, by the definition of a uniform domain

$$M(\Gamma(f_{k_i}(|\alpha_i|), E_{k_i}, D_*)) > \varepsilon_1, \quad \forall i \in \mathbb{N}. \quad (6.11)$$

On the other hand, by (6.5) and (6.6)

$$\Gamma(f_{k_i}(|\alpha_i|), E_{k_i}, D_*) > \Gamma(f_{k_i}(\tilde{S}(p_0, r_i)), E_{k_i}, D_*),$$

whence by [33, Theorem 1(c)] and also by (6.11)

$$\varepsilon_1 < M(\Gamma(f_{k_i}(|\alpha_i|), E_{k_i}, D_*)) \leq M(\Gamma(f_{k_i}(\tilde{S}(p_0, r_i)), E_{k_i}, D_*)). \quad (6.12)$$

The inequalities (6.12) and (6.10) contradict each other, which proves 6.3).  $\square$

Let  $D \subset \mathbb{S}$  and  $D_* \subset \mathbb{S}_*$  be fixed domains. Given  $\delta > 0$  and a measurable function  $Q : \mathbb{S} \rightarrow (0, \infty)$  with a respect to the measure  $\tilde{h}$ ,  $Q(x) \equiv 0$  for  $x \in \mathbb{S} \setminus D$ , we demote by  $\mathfrak{G}_{Q, \delta}(D)$  the family of all open mappings  $f : D \rightarrow D_* \setminus G_f$  satisfying the relation (1.7) in  $D$  such that  $\tilde{h}_*(G_f) = \sup_{x, y \in G_f} \tilde{h}_*(x, y) \geq \delta$ , where  $G_f \subset D_*$  is some continuum.

**Lemma 6.2.** *Assume that  $Q$  satisfies (1.8) in  $D$ , or  $Q \in FMO(p_0)$  at any point  $p_0 \in D$ . If  $D_*$  is uniform and  $\overline{D_*}$  is a compactum in  $\mathbb{S}_*$ , then the family  $\mathfrak{G}_{Q, \delta}(D)$  is equicontinuous in  $D$ .*

*Proof.* In view of the reasoning used in the proof of Theorem 4.2, it suffices to establish Lemma 6.2 in the case when  $Q$  satisfies relations (1.8) in  $D$ .

Suppose that the conclusion of the lemma does not hold. Then there are  $p_0 \in D$ ,  $p_k \in D$ ,  $k = 1, 2, \dots$ ,  $f_k \in \mathfrak{S}_{Q,\delta}(D)$  and  $\delta_0$  such that  $p_k \rightarrow p_0$  as  $k \rightarrow \infty$  and

$$\tilde{h}_*(f_k(p_k), f_k(p_0)) \geq \delta_0. \quad (6.13)$$

By Lemma 6.1, there are  $l_0 > 0$  and  $r_0 > 0$  such that

$$l(f_k(\tilde{S}(p_0, r))) \geq l_0 \quad (6.14)$$

for all  $r \in (\tilde{h}(p_0, p_k), r_0)$ , for any  $k \geq k_0$  and some  $k_0 \geq 1$ . Without loss of generality, we may assume that  $r_0 < \varepsilon_0$ , where  $\varepsilon_0$  is a number from (1.8) that exists by the condition of the lemma. In this case, the function

$$\rho(p) = \begin{cases} 1/l_0, & p \in D_* \\ 0, & p \notin D_* \end{cases}$$

is admissible for  $\Gamma_k^{r_0}$ , consisting of the union of the paths  $f_k(\tilde{S}(p_0, r))$  over all  $r \in (\tilde{h}(p_0, p_k), r_0)$ ,  $k = 1, 2, \dots$ . In this case, by the definition of the modulus of families of paths,

$$M(\Gamma_k^{r_0}) \leq (1/l_0^2) \cdot \tilde{h}_*(D_*) < \infty, \quad (6.15)$$

because  $\overline{D_*}$  is a compactum in  $\mathbb{S}_*$ . On the other hand, by Lemma 2.3 and also by (1.8) we obtain that

$$M(\Gamma_k^{r_0}) \geq \int_{\tilde{h}(p_0, p_k)}^{r_0} \frac{dr}{\|Q\|(r)} \rightarrow \infty \quad (6.16)$$

as  $k \rightarrow \infty$ . The relations (6.15) and (6.16) contradict each other, which refutes the assumption made in (6.13).  $\square$

As usual, we formulate the main results of this section for Sobolev classes. For this purpose, consider the following definition of the family of mappings. Given numbers  $\delta > 0$ ,  $N \in \mathbb{N}$ , a domain  $D \subset \mathbb{S}$  and a function  $Q : \mathbb{S} \rightarrow (0, \infty)$  that is measurable with respect to the measure  $\tilde{h}$ ,  $Q(x) \equiv 0$  for  $x \in \mathbb{S} \setminus D$ , denote by  $\mathfrak{S}_{Q,\delta,N}(D)$  a family of all open discrete mappings  $f : D \rightarrow D_* \setminus G_f$  of the class  $W_{\text{loc}}^{1,1}(D)$  with a finite distortion such that  $K_f(p) \leq Q(p)$  for almost all  $p \in D$ ,  $N(f, D) \leq N$  and  $\tilde{h}_*(G_f) = \sup_{x,y \in G_f} \tilde{h}_*(x, y) \geq \delta$ , where  $G_f \subset D_*$  is some continuum. The following theorem holds.

**Theorem 6.1.** *Suppose that the function  $Q$  satisfies the relations (1.8) in  $D$ , or  $Q \in FMO(p_0)$  at any point  $p_0 \in D$ . If the domain  $D_*$  is uniform and  $\overline{D_*}$  is a compactum in  $\mathbb{S}_*$ , then the family  $\mathfrak{S}_{Q,\delta,N}(D)$  is equicontinuous at any point  $p_0 \in D$ .*

*Proof* immediately follows from Lemma 6.2 and Theorem 1.1.  $\square$

Let us turn to the study of equicontinuity at the points of the boundary. First of all, similarly to Lemma 6.1, we prove the following statement.

**Lemma 6.3.** *Let  $D$  and  $D_*$  be domains in  $\mathbb{S}$  and  $\mathbb{S}_*$ , respectively,  $p_0 \in \partial D$ ,  $p_k \in D$ ,  $k = 1, 2, \dots$ ,  $p_k \rightarrow p_0$  as  $k \rightarrow \infty$ , and let a domain  $D$  has a locally quasiconformal boundary.*

Let  $f_k : \overline{D} \rightarrow \overline{D}_*$ ,  $k = 1, 2, \dots$  be a family of mappings such that  $f_k|_D$  is open and closed in  $D$ . Suppose that

1) the domains  $D_k := f_k(D)$  and  $D_*$  are equi-uniformly over  $k \in \mathbb{N}$ , in addition,  $\overline{D}_*$  is a compactum in  $\mathbb{S}_*$ ;

2) there is a number  $\delta > 0$  with the following property: for any  $k \in \mathbb{N}$  there is a continuum  $A_k \subset f_k(D)$ , such that  $\tilde{h}_*(A_k) \geq \delta > 0$ , moreover,  $\tilde{h}(f_k^{-1}(A_k), \partial D) \geq \delta > 0$ ;

3) there is  $\delta_0 > 0$  such that

$$\tilde{h}_*(f_k(p_k), f_k(p_0)) \geq \delta_0 \quad \forall k = 1, 2, \dots \quad (6.17)$$

Then there are  $l_0 > 0$ ,  $r_0 > 0$  and  $k_0 \geq 1$  such that

$$l(f_k(\tilde{S}(p_0, r) \cap D)) \geq l_0, \quad \forall r \in (\tilde{h}(p_0, p_k), r_0), \quad \forall k \geq k_0, \quad (6.18)$$

where  $l$  denotes the length of the dashed line  $\tilde{S}(p_0, r) \cap D$  on the Riemannian surface  $\mathbb{S}_*$ .

*Proof.* Suppose the opposite. Then for each  $i \in \mathbb{N}$  there are  $k_i > i$  and  $\tilde{h}(p_0, p_{k_i}) < r_i < 1/i$ , for which

$$l(g_i(\tilde{S}(p_0, r_i) \cap D)) < 1/i, \quad i = 1, 2, \dots, \quad r_i \rightarrow 0, \quad (6.19)$$

as  $i \rightarrow \infty$ ,  $g_i := f_{k_i}$ . Without loss of generality, we may assume that the sequence numbers  $k_i$ ,  $i = 1, 2, \dots$  is increasing. We also denote  $p_{k_i} := q_i$ .

Since  $D$  is a domain with a locally quasiconformal boundary, by Lemma 4.1 there is a sequence of neighborhoods  $U_m$  of the point  $p_0$ ,  $m = 1, 2, \dots$ , contracting to  $p_0$  such that  $U_m \cap D$  is connected and, moreover, for each  $m = 1, 2, \dots$ , there is a cut  $\gamma_m$  of  $D$  such that  $U_m \cap D \subset D \setminus |\gamma_m|$ ,  $|\gamma_m| \subset \tilde{S}(p_0, r_{i_m})$  for some subsequence  $r_{i_m}$  of the sequence  $r_i$ ,  $i = 1, 2, \dots$ . Since  $f_k$  is continuous in  $\overline{D}$ , there is a sequence  $p'_k \in D$  such that  $\tilde{h}_*(f_k(p_0), f_k(p'_k)) < 1/k$ . Put  $q'_i := p'_{k_i}$ . Then it follows from (6.17) that

$$\tilde{h}_*(g_i(q_i), g_i(q'_i)) \geq \delta_0/2 \quad (6.20)$$

for  $i \geq i_0 \in \mathbb{N}$ . For any  $m \in \mathbb{N}$ , we may find  $j_m \in \mathbb{N}$ ,  $j_m > i_0$ , such that  $q_{j_m}, q'_{j_m} \in U_m$ . Now, by (6.20) we obtain that

$$\tilde{h}_*(g_{j_m}(q_{j_m}), g_{j_m}(q'_{j_m})) \geq \delta_0/2 \quad \forall m = 1, 2, \dots \quad (6.21)$$

Let us show that

$$A_{j_m} \subset D_* \setminus g_{j_m}(U_m \cap \overline{D}) \quad \forall m \geq m_0. \quad (6.22)$$

Indeed, if  $y_l \in A_{j_{m_l}} \cap g_{j_{m_l}}(U_{m_l} \cap \overline{D})$  for arbitrarily large  $l = 1, 2, \dots$  and some increasing sequence  $m_l$ ,  $l = 1, 2, \dots$ , then  $y_l = g_{j_{m_l}}(x_l)$ ,  $x_l \in U_{m_l} \cap \overline{D}$  and, at the same time,  $x_l \in g_{j_{m_l}}^{-1}(A_{j_{m_l}})$ . Since  $U_{m_l}$  contracts to  $p_0 \in \partial D$ , then  $x_l \rightarrow p_0$  as  $l \rightarrow \infty$ , which contradicts the condition  $\tilde{h}(f_k^{-1}(A_k), \partial D) \geq \delta > 0$ ,  $g_{j_{m_l}} = f_{k_{j_{m_l}}}$ . Thus, (6.22) holds.

Now let  $d_m$  be the component of  $D \setminus |\gamma_m|$ , containing  $U_m \cap D$ . Let us show that

$$\partial g_{j_m}(d_m) \cap g_{j_m}(D) \subset g_{j_m}(|\gamma_m|) \quad (6.23)$$



for any  $m = 1, 2, \dots$

We fix  $m \in \mathbb{N}$  and consider  $y_m \in \partial g_{j_m}(d_m) \cap g_{j_m}(D)$ . Then there is  $y_{mk} \in g_{j_m}(d_m)$ ,  $y_{mk} \rightarrow y_m$  as  $k \rightarrow \infty$ . Since  $f_k$  are open,  $g_{j_m}(D)$  is a domain, so we may assume that  $y_{mk} \in g_{j_m}(d_m) \cap g_{j_m}(D)$ . Since  $y_{mk} \in g_{j_m}(d_m)$ , then  $y_{mk} = g_{j_m}(\eta_{mk})$ ,  $\eta_{mk} \in d_m$ . By lemma 4.1  $d_n \subset U_m$  for all  $n \geq n(M)$ , therefore  $d_m$  also contract to the point  $p_0$  as  $m \rightarrow \infty$ . Thus, we may assume that  $\overline{d_m}$  is a compactum in  $\mathbb{S}$ , and that  $\eta_{mk} \rightarrow \eta_0$  as  $k \rightarrow \infty$ . Observe that the case  $\eta_0 \in \partial D$  is impossible, because now  $y_m \in C(g_{j_m}, \partial D) \subset \partial g_{j_m}(D)$  by the closeness of the mapping  $g_{j_m} = f_{k_{j_m}}$ , which contradicts the choice of  $y_m$ . Then  $\eta_0 \in D$ . Two situations are possible: 1)  $\eta_0 \in d_m$  and 2)  $\eta_0 \in |\gamma_m|$ . Observe that the case 1) is impossible, because now  $g_{j_m}(\eta_0) = y_m$  and  $y_m$  is an inner point of the set  $g_{j_m}(d_m)$  by the openness of the mapping  $g_{j_m}$ , which also contradicts the choice of  $y_m$ . Thus, the inclusion (6.23) is proved.

The further course of reasoning largely repeats the scheme of the proof of Lemma 6.1. Let  $\xi_m$ ,  $m = 1, 2, \dots$ , be an arbitrary sequence of points from  $|\gamma_m|$ . Since  $\overline{D_*}$  is a compactum in  $\mathbb{S}_*$ , without loss of generality, we may assume that  $\zeta_m := g_{j_m}(\xi_m) \rightarrow \zeta_0$  as  $m \rightarrow \infty$ ,  $\zeta_0 \in \overline{D_*}$ . It follows from (6.19) that

$$\tilde{h}_*(g_{j_m}(|\gamma_m|)) \rightarrow 0$$

as  $m \rightarrow \infty$ ,  $\tilde{h}_*(g_{j_m}(|\gamma_m|)) := \sup_{p_*, q_* \in g_{j_m}(|\gamma_m|)} \tilde{h}_*(p_*, q_*)$ . Now, for any  $s \in \mathbb{N}$  there is a number  $m_s \in \mathbb{N}$  such that

$$g_{j_m}(|\gamma_m|) \subset \tilde{B}(\zeta_0, 1/s), \quad m \geq m_s. \quad (6.24)$$

By Proposition 6.1 there is  $s_0 \in \mathbb{N}$  and a sequence of continua  $E_{j_m}$  such that

$$E_{j_m} \subset A_{j_m} \setminus \tilde{B}(\zeta_0, 1/s_0), \quad \tilde{h}_*(E_{j_m}) \geq \delta/4, \quad i = 1, 2, \dots \quad (6.25)$$

We fix  $s > s_0$  and consider the family  $\Gamma(g_{j_m}(|\gamma_m|), E_{j_m}, g_{j_m}(D))$  for  $m \geq m_s$ . Let  $\gamma \in \Gamma(g_{j_m}(|\gamma_m|), E_{j_m}, g_{j_m}(D))$ , i.e.,  $\gamma = \gamma(t)$ ,  $t \in (0, 1)$ ,  $\gamma(0) \in f_{k_i}(g_{j_m}(|\gamma_m|)$ ,  $\gamma(1) \in E_{j_m}$  and  $\gamma(t) \in g_{j_m}(D)$  for  $t \in (0, 1)$ . By (6.24) and (6.25)  $|\gamma| \cap \tilde{B}(\zeta_0, 1/s) \neq \emptyset \neq |\gamma| \cap (g_{j_m}(D) \setminus \tilde{B}(\zeta_0, 1/s))$ , therefore, according to [28, Theorem 1.I.5, § 46] there is  $t_1 \in (0, 1)$  such that  $\gamma(t_1) \in \tilde{S}(\zeta_0, 1/s)$ . Without loss of generality, we may assume that  $\gamma(t) \in g_{j_m}(D) \setminus \tilde{B}(\zeta_0, 1/s)$  for  $t > t_1$ . Put  $\gamma_1 := \gamma|_{[t_1, 1]}$ . Again, by (6.24) and (6.25)  $|\gamma_1| \cap \tilde{B}(\zeta_0, 1/s_0) \neq \emptyset \neq |\gamma_1| \cap (g_{j_m}(D) \setminus \tilde{B}(\zeta_0, 1/s_0))$ , therefore by [28, Theorem 1.I.5, § 46] there is  $t_2 \in (t_1, 1)$  such that  $\gamma_1(t_2) \in \tilde{S}(\zeta_0, 1/s_0)$ . Without loss of generality, we may assume that  $\gamma_1(t) \in \tilde{B}(\zeta_0, 1/s_0)$  for  $t \in (t_1, t_2)$ . Put  $\gamma_2 := \gamma_1|_{[t_1, t_2]}$ ,  $\gamma_2 \in \Gamma(\tilde{S}(\zeta_0, 1/s), \tilde{S}(\zeta_0, 1/s_0), \tilde{A}(\zeta_0, 1/s, 1/s_0))$ ,  $\tilde{A}(\zeta_0, 1/s, 1/s_0) = \{p_* \in \mathbb{S}_* : 1/s < \tilde{h}_*(p_*, \zeta_0) < 1/s_0\}$ , see Figure 7. Hence it follows that

$$\Gamma(g_{j_m}(|\gamma_m|), E_{j_m}, g_{j_m}(D)) > \Gamma(\tilde{S}(\zeta_0, 1/s), \tilde{S}(\zeta_0, 1/s_0), \tilde{A}(\zeta_0, 1/s, 1/s_0))$$

for  $m \geq m_s$ . Thus, by [33, Theorem 1(c)] and by Proposition 4.3

$$\begin{aligned} & M(\Gamma(g_{j_m}(|\gamma_m|), E_{j_m}, g_{j_m}(D))) \leq \\ & \leq M(\Gamma(\tilde{S}(\zeta_0, 1/s), \tilde{S}(\zeta_0, 1/s_0), \tilde{A}(\zeta_0, 1/s, 1/s_0))), \quad (6.26) \\ & M(\Gamma(\tilde{S}(\zeta_0, 1/s), \tilde{S}(\zeta_0, 1/s_0), \tilde{A}(\zeta_0, 1/s, 1/s_0))) \rightarrow 0 \end{aligned}$$

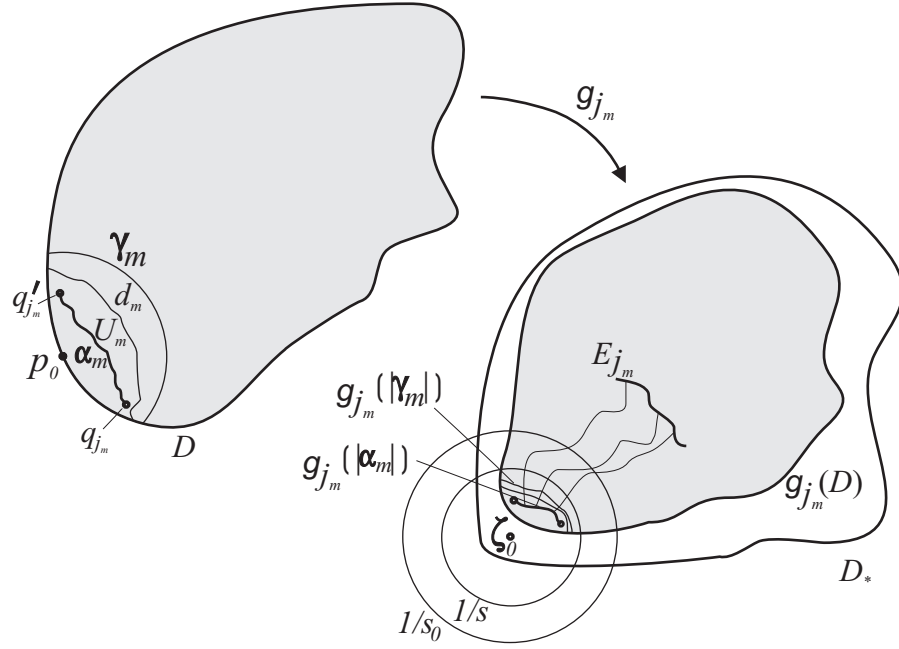


Figure 7: To the proof of Lemma 6.3

as  $s \rightarrow \infty$ . Given  $\varepsilon > 0$  we may find a number  $S = S(\varepsilon)$  such that

$$M(\Gamma(\tilde{S}(\zeta_0, 1/s), \tilde{S}(\zeta_0, 1/s_0), \tilde{A}(\zeta_0, 1/s, 1/s_0))) < \varepsilon, \quad s > S(\varepsilon).$$

Set  $M_0 = M_0(\varepsilon) := m_{S(\varepsilon)}$ . It follows from (6.26) that

$$M(\Gamma(g_{j_m}(|\gamma_m|), E_{j_m}, g_{j_m}(D))) < \varepsilon, \quad m > M_0 = M_0(\varepsilon). \quad (6.27)$$

Now let us join the points  $q_{j_m}$  and  $q'_{j_m}$  by the path  $\alpha_m \subset U_m$ . By assumption (6.20)  $\tilde{h}_*(g_{j_m}(|\alpha_m|)) \geq \delta_0/2$ . Then by the definition of a uniform domain, there exists  $\varepsilon_1 > 0$  such that

$$M(\Gamma(g_{j_m}(|\alpha_m|), E_{j_m}, g_{j_m}(D))) > \varepsilon_1, \quad m \in \mathbb{N}. \quad (6.28)$$

On the other hand, by (6.22) and (6.23)

$$\Gamma(g_{j_m}(|\alpha_m|), E_{j_m}, g_{j_m}(D)) > \Gamma(g_{j_m}(|\gamma_m|), E_{j_m}, g_{j_m}(D)),$$

whence by [33, Theorem1(c)] and also by (6.28) we obtain that

$$\varepsilon_1 < M(\Gamma(g_{j_m}(|\alpha_m|), E_{j_m}, g_{j_m}(D))) \leq M(\Gamma(g_{j_m}(|\gamma_m|), E_{j_m}, g_{j_m}(D))) \quad (6.29)$$

for  $m = 1, 2, \dots$ . The inequalities (6.29) and (6.27) contradict each other, which proves (6.18).  $\square$

Let  $D$  and  $D_*$  be domains in  $\mathbb{S}$  and  $\mathbb{S}_*$ , respectively. Given  $\delta > 0$  and a measurable function  $Q : \mathbb{S} \rightarrow (0, \infty)$  with respect the measure  $\tilde{h}$ ,  $Q(x) \equiv 0$  for  $x \in \mathbb{S} \setminus D$ , denote by  $\mathfrak{L}_{Q, \delta}(D)$  the family of all open discrete mappings  $f : D \rightarrow D_*$  with (1.7) for which: 1) there is a continuum  $G_f \subset D_*$  such that  $f : D \rightarrow D_* \setminus G_f$  и  $\tilde{h}_*(G_f) := \sup_{x, y \in G_f} \tilde{h}_*(x, y) \geq \delta$ ; 2) there

exists a continuum  $A_f \subset f(D)$  such that  $\tilde{h}_*(A_f) \geq \delta$  and  $\tilde{h}(f^{-1}(A_f), \partial D) \geq \delta$ . The following theorem holds.

**Theorem 6.2.** *Assume that the following conditions are satisfied:*

- 1)  $Q$  is locally integrable in  $D$  and either  $Q$  satisfies (1.8), or  $Q \in FMO(p_0)$  at any point  $p_0 \in \overline{D}$ ;
- 2) domains  $D_f = f(D)$  and  $D_*$  are equi-uniform over  $f \in \mathfrak{L}_{Q,\delta}(D)$ ;
- 3) a domain  $D$  has a locally quasiconformal boundary;
- 4) the set  $\overline{D}_*$  is a compactum in  $\mathbb{S}_*$ .

Then any mapping  $f \in \mathfrak{L}_{Q,\delta}(D)$  has a continuous extension  $\overline{f} : \overline{D} \rightarrow \overline{D}_*$  and a family  $\mathfrak{L}_{Q,\delta}(\overline{D})$  of all extended mappings  $\overline{f}$  is equicontinuous in  $\overline{D}$ .

*Proof.* Arguing similarly to the beginning of the proof of Lemma 5.2, we conclude that the domain  $D_f = f(D)$ ,  $f \in \mathfrak{L}_{Q,\delta}(D)$ , has a strongly accessible boundary. In this case, the possibility of continuous extension  $\overline{f} : \overline{D} \rightarrow \overline{D}_*$  follows from Theorem 4.1, and the equicontinuity of  $\mathfrak{L}_{Q,\delta}(\overline{D})$  in  $D$  is from Lemma 6.2, since  $\mathfrak{L}_{Q,\delta}(D) \subset \mathfrak{G}_{Q,\delta}(D)$ . It remains to show the equicontinuity of the family  $\mathfrak{L}_{Q,\delta}(\overline{D})$  in  $\partial D$ .

Suppose the opposite. Then there are  $p_0 \in \partial D$ ,  $p_k \in \overline{D}$ ,  $k = 1, 2, \dots$ ,  $f_k \in \mathfrak{L}_{Q,\delta}(\overline{D})$  and  $\delta_0$  such that  $p_k \rightarrow p_0$  as  $k \rightarrow \infty$  and

$$\tilde{h}_*(f_k(p_k), f_k(p_0)) \geq \delta_0. \quad (6.30)$$

By Theorem 4.1 we may assume that  $p_k \in D$ , besides that, by Lemma 6.1 there are  $l_0 > 0$  and  $r_0 > 0$  such that for some  $k_0 \geq 1$

$$l(f_k(\tilde{S}(p_0, r))) \geq l_0, \quad \forall r \in (\tilde{h}(p_0, p_k), r_0), \quad \forall k \geq k_0, \quad (6.31)$$

where  $l$  denotes the length of a path on the Riemannian surface  $\mathbb{S}_*$ . Without loss of generality, we may assume that  $r_0 < \varepsilon_0$ , where  $\varepsilon_0$  is a number from (1.8), existing by the conditions of the lemma. In this case, the function

$$\rho(p) = \begin{cases} 1/l_0, & p \in D_* \\ 0, & p \notin D_* \end{cases}$$

is admissible for  $\Gamma_k^{r_0}$ , consisting from the union of all dished lines  $f_k(\tilde{S}(p_0, r))$ ,  $k = 1, 2, \dots$ , over  $r \in (\tilde{h}(p_0, p_k), r_0)$ . In this case, by the definition of the modulus of families of paths, we obtain that

$$M(\Gamma_k^{r_0}) \leq (1/l_0^2) \cdot \tilde{h}_*(D_*) < \infty, \quad (6.32)$$

because  $\overline{D}_*$  is a compactum in  $\mathbb{S}_*$ . On the other hand, by Lemma 2.3 and by the conditions (1.8) we have that

$$M(\Gamma_k^{r_0}) \geq \int_{\tilde{h}(p_0, p_k)}^{r_0} \frac{dr}{\|Q\|(r)} \rightarrow \infty \quad (6.33)$$

as  $k \rightarrow \infty$ . The relations (6.32) and (6.33) contradict each other,, which refutes the assumption made in (6.30).  $\square$

Let  $D$  and  $D_*$  be domains in  $\mathbb{S}$  and  $\mathbb{S}_*$ , respectively. Given  $\delta > 0$ , a natural number  $N \geq 1$  and a function  $Q : \mathbb{S} \rightarrow (0, \infty)$ ,  $Q(x) \equiv 0$  for  $x \in \mathbb{S} \setminus D$ , measurable with respect to the measure  $\tilde{h}$ , denote by  $\mathfrak{M}_{Q,\delta,N}(D)$  the family of all open discrete and closed mappings  $f : D \rightarrow D_*$  of the class  $W_{\text{loc}}^{1,1}(D)$  with a finite distortion for which: 1) there is a continuum  $G_f \subset D_*$  such that  $f : D \rightarrow D_* \setminus G_f$  and  $\tilde{h}_*(G_f) := \sup_{x,y \in G_f} \tilde{h}_*(x,y) \geq \delta$ ; 2) there is a continuum  $A_f \subset f(D)$  such that  $\tilde{h}_*(A_f) \geq \delta$  and  $\tilde{h}(f^{-1}(A_f), \partial D) \geq \delta$ ; 3)  $K_f(p) \leq Q(p)$  for any  $p \in D$ ; 4)  $N(f, D) \leq N$ .

The following theorem holds.

**Theorem 6.3.** *Assume that the following conditions are satisfied:*

- 1)  $Q$  is locally integrable in  $D$  and either  $Q$  satisfies (1.8), or  $Q \in FMO(p_0)$  at any point  $p_0 \in \overline{D}$ ;
- 2) domains  $D_f = f(D)$  and  $D_*$  are equi-uniform over  $f \in \mathfrak{M}_{Q,\delta,N}(D)$ ;
- 3) a domain  $D$  has a locally quasiconformal boundary;
- 4) the set  $\overline{D}_*$  is a compactum in  $\mathbb{S}_*$ .

Then any mapping  $f \in \mathfrak{M}_{Q,\delta,N}(D)$  has a continuous extension  $\bar{f} : \overline{D} \rightarrow \overline{D}_*$  and a family  $\mathfrak{M}_{Q,\delta,N}(\overline{D})$  of all extended mappings  $\bar{f}$  is equicontinuous in  $\overline{D}$ .

*Proof if Theorem 6.3* immediately follows from Theorems 6.2 and 1.1.  $\square$

## References

- [1] Näkki R., *Boundary behavior of quasiconformal mappings in  $n$ -space*, Ann. Acad. Sci. Fenn. Ser. A., **484** (1970), 1–50.
- [2] Väisälä J., *Lectures on  $n$ -Dimensional Quasiconformal Mappings*. Lecture Notes in Math., V. **229**, Springer–Verlag, Berlin etc., 1971.
- [3] Srebro U., *Conformal capacity and quasiregular mappings* Ann. Acad. Sci. Fenn. Ser. A I. Math., **529** (1973), 1–8.
- [4] Vuorinen M., *Exceptional sets and boundary behavior of quasiregular mappings in  $n$ -space*, Ann. Acad. Sci. Fenn. Ser. A I. Math. Dissertationes, **11** (1976), 1–44.
- [5] Martio O., Ryazanov V., Srebro U., Yakubov E., *On  $Q$ -homeomorphisms*, Ann. Acad. Sci. Fenn. Math., **30** (2005), no. 1, 49–69.
- [6] Ignat'ev A., Ryazanov V., *To the theory of the boundary behavior of space mappings*, Ukr. Math. Bull., **3** (2006), no. 2, 189–201.

- [7] Ryazanov V., Salimov R., *Weakly flat spaces and boundaries in the mapping theory*, Ukr. Math. Bull., **4** (2007), no. 2, 199–233.
- [8] Martio O., Ryazanov V., Srebro U., Yakubov E., *Moduli in Modern Mapping Theory*, New York: Springer Science + Business Media, LLC, 2009.
- [9] Smolovaya E.S., *Boundary behavior of ring  $Q$ -homeomorphisms in metric spaces*, Ukr. Math. Journ., **62** (2010), no. 5, 785–793.
- [10] Afanasieva E.S., Ryazanov V.I., Salimov R.R., *On mappings in the Orlicz–Sobolev classes on Riemannian manifolds*, J. Math. Sci., **181** (2012), no. 1, 1–17.
- [11] Sevost’yanov E.A., *Local and boundary behavior of maps in metric spaces*, St. Petersburg Math. J., **28** (2017), no. 6, 807–824.
- [12] Ryazanov V., Volkov S., *On the Boundary Behavior of Mappings in the Class  $W_{loc}^{1,1}$  on Riemann Surfaces*, Complex Analysis and Operator Theory, **11** (2017), 1503–1520.
- [13] Krushkal’ S.L., Apanasov B.N., Gusevskii N.A., *Kleinian groups and uniformization in examples and problems*, Transl. of Math. Mon., 62, AMS, Providence, RI, 1986.
- [14] Gehring F.W., *Rings and quasiconformal mappings in space*, Trans. Amer. Math. Soc., **103**, 1962, 353–393.
- [15] Lomako T., Salimov R., Sevost’yanov E., *On equicontinuity of solutions to the Beltrami equations*, Ann. Univ. Bucharest (math. series), **LIX** (2010), no. 2, 263–274.
- [16] Väisälä J., *Discrete open mappings on manifolds*, Ann. Acad. Sci. Fenn. Ser. A 1 Math., **392** (1966), 1–10.
- [17] Beardon A.F., *The geometry of discrete groups*, Graduate Texts in Math, vol. 91, Springer-Verlag, New York, 1983.
- [18] Heinonen J., *Lectures on Analysis on metric spaces*, Springer Science+Business Media, New York, 2001.
- [19] Sevost’yanov E.A., *On the local and boundary behavior of mappings of factor-spaces* // Complex Variables and Elliptic Equations, published online: <https://www.tandfonline.com/doi/pdf/10.1080/17476933.2020.1825392?needAccess=true>.
- [20] Federer H., *Geometric Measure Theory*, Springer, Berlin etc., 1969.
- [21] Saks S., *Theory of the Integral*, Dover, New York, 1964.
- [22] Il’yutko D.P. and Sevost’yanov E.A., *Open discrete mappings with unbounded coefficient of quasi-conformality on Riemannian manifolds*, Sbornik Mathematics, **207** (2016), no. 4, 537–580.
- [23] Maz’ya V., *Sobolev Spaces*, Springer-Verlag, Berlin, 1985.

- [24] Lehto O., Virtanen O., *Quasiconformal Mappings in the Plane*, Springer, New York etc., 1973.
- [25] Sevost'yanov E., *On boundary extension of mappings in metric spaces in terms of prime ends*, Ann. Acad. Sci. Fenn. Math., **44** (2019), no. 1, 65–90.
- [26] Vuorinen M., *Conformal Geometry and Quasiregular Mappings*, Lecture Notes in Math., 1319, Springer–Verlag, Berlin etc., 1988.
- [27] Näkki R., *Prime ends and quasiconformal mappings*, J. Anal. Math., **35** (1979), 13–40.
- [28] Kuratowski K., *Topology*, v. 2, Academic Press, New York–London, 1968.
- [29] Ignat'ev A.A., Ryazanov V.I., *Finite mean oscillation in mapping theory*, Ukrainian Math. Bull., **2** (2005), no. 3, 403–424.
- [30] Ryazanov V., Sevost'yanov E., *Toward the theory of ring  $Q$ -homeomorphisms*, Israel J. Math., **168** (2008), 101–118.
- [31] Näkki R. and Palka B., *Uniform equicontinuity of quasiconformal mappings*, Proc. Amer. Math. Soc., **37** (1973), no. 2, 427–433.
- [32] Hurewicz W., Wallman H., *Dimension Theory*, Princeton Univ. Press, Princeton, 1948.
- [33] Fuglede B., *Extremal length and functional completion*, Acta Math., **98**, 1957, 171–219.

**Evgeny Sevost'yanov**

1. Zhytomyr Ivan Franko State University,  
40 Bol'shaya Berdichevskaya Str., 10 008 Zhytomyr, UKRAINE
2. Institute of Applied Mathematics and Mechanics  
of NAS of Ukraine,  
1 Dobrovol'skogo Str., 84 100 Slov'yans'k, UKRAINE  
esevostyanov2009@gmail.com