

Augmented Artificial Intelligence

1st Alexander N Gorban
*University of Leicester
and Lobachevsky University*

Leicester, UK, and Nizhni Novgorod, Russia
a.n.gorban@le.ac.uk

2nd Ivan Y Tyukin
*University of Leicester
and Lobachevsky University*

Leicester, UK, and Nizhni Novgorod, Russia
i.tyukin@le.ac.uk

Abstract—All artificial Intelligence (AI) systems make errors. These errors are unexpected, and differ often from the typical human mistakes (“non-human” errors). The AI errors should be corrected without damage of existing skills and, hopefully, avoiding direct human expertise. This talk presents an initial summary report of project taking new and systematic approach to improving the intellectual effectiveness of the individual AI by communities of AIs. We combine some ideas of learning in heterogeneous multiagent systems with new and original mathematical approaches for non-iterative corrections of errors of legacy AI systems.

Index Terms—multiscale experts, knowledge transfer, non-iterative learning, error correction, measure concentration, blessing of dimensionality

I. INTRODUCTION

The history of neural networks research can be represented as a series of explosions or waves of inventions and expectations. This history ensures us that the popular Gartner’s hype cycle for emerging technologies presented by the solid curve on Fig. 1 (see, for example [1]) should be supplemented by the new peak of expectation explosion (dashed line). Some expectations from the previous peak are realized and move to the “Plateau of Productivity” but the majority of them jump to the next “Peak of Inflated Expectations”. This observation relates not only to neural technologies but perhaps to majority of IT innovations. It is surprising to see, how expectations reappear in the new wave from the previous peak often without modifications, just changing the human carriers.

Computers and networks have been expected to augment the human intelligence [2]. In 1998 one of the authors had been inspired by 8 years of success of knowledge discovery by deep learning neural network and by the transformation of their hidden knowledge into explicit knowledge in the form of “logically transparent networks” [3] by means of pruning, binarization and other simplification procedures [4], [5], and wrote: “I am sure that the neural network technology of knowledge discovery is a “point of growth”, which will remodel neuroinformatics, transform many areas of information technologies and create new approaches” [6]. Now it seems that this prediction will not be fulfilled: most customers do not care about gaining knowledge but prefer the “one button solutions”, which exclude humans from the process as

Supported by Innovate UK (KTP009890 and KTP010522) and Ministry of science and education, Russia (14.Y26.31.0022).

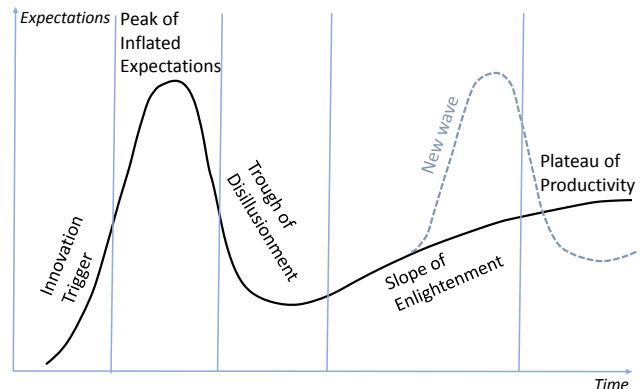


Fig. 1. Gartner’s Hype Cycle for emerging technologies supplemented by a new peak.

far as it is possible. This is not a new situation in history. New intellectual technologies increase intellectual abilities of mankind, but not the knowledge of individual humans. Here, we can refer to Plato “There is an old Egyptian tale of Theuth, the inventor of writing, showing his invention to the god Thamus, who told him that he would only spoil men’s memories and take away their understandings” [7]. The adequate model of future Artificial Intelligence (AI) usage should include large communities of AI systems. Knowledge should circulate and grow in these communities. Participation of humans in these processes should be minimized. In the course of this technical revolution not the “Augmented human intellect” but the continuously augmenting AI will be created.

In this talk, we propose the conceptual framework for augmenting AI in communities or “social networks” of AIs. For construction of such social networks, we employ several ideas in addition to the classical machine learning. The first of them is separation of the problem areas between small local (neural) experts, their competitive and collaborative learning, and conflict resolution. In 1991, two first papers with this idea were published simultaneously [8], [9]. The techniques for distribution of tasks between small local experts were developed. In our version of this technology [8] and in all our applied software [3], [10]–[12] the neural network answers were always complemented by the evaluation of the network self-confidence. This self-confidence level is an important

instrument for community learning.

The second idea is the blessing of dimensionality [13]–[17] and the AI correction method [20] based on stochastic separation theorems [19]. The “sparsity” of high-dimensional spaces and concentration of measure phenomena make some low-dimensional approaches impossible in high dimensions. This problem is widely known as the “curse of dimensionality”. Surprisingly, the same phenomena can be efficiently employed for creation of new, high-dimensional methods, which seem to be much simpler than in low dimensions. This is the “blessing of dimensionality”.

The classical theorems about concentration of measure state that random points in a highly-dimensional data distribution are concentrated in a thin layer near an average or median level set of a Lipschitz function (for introduction into this area we refer to [18]). The newly discovered stochastic separation theorems [19] revealed the fine structure of these thin layers: the random points are all linearly separable from the rest of the set even for exponentially large random sets. Of course, the probability distribution should be ‘genuinely’ high-dimensional for all these concentration and separation theorems.

Linear separability of exponentially large random subsets in high dimension allows us to solve the problem of nondestructive correction of legacy AI systems: the linear classifiers in their simplest Fishers form can separate errors from correct responses with high probability [20]. The non-iterative and nondestructive correctors can be employed for skills transfer in communities of AI systems [21].

These two ideas are joined in a special organisational environment of community learning which is organized in several phases:

- Initial supervising learning where community of newborn experts assimilate the knowledge hidden in labeled tasks from a problem-book (the problem-book is a continuously growing and transforming collection of samples);
- Non-iterative learning of community with self-labeling of real-life or additional training samples on the basis of separation of expertise between local experts, their continuous adaptation and mutual correction for the assimilation of gradual changes in reality.
- Interiorisation of the results of the self-supervising learning of community in the internal skills of experts.
- Development and learning of special network manager that evaluates the level of expertise of the local experts for a problem and distributes the incoming task flow between them.
- Using an “ultimate auditor” to assimilate qualitative changes in the environment and correct collective errors; it may be human inspection, a feedback from real life, or another system of interference into the self-labeling process.

We describe the main constructions of this approach using the example of classification problems and simple linear correctors. The correctors with higher abilities can be constructed on the basis of small neural networks with uncorrelated

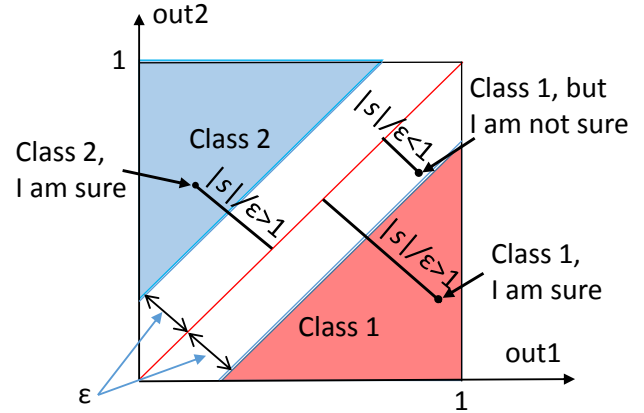


Fig. 2. Answers and assurance; s is the deviation from the diagonal.

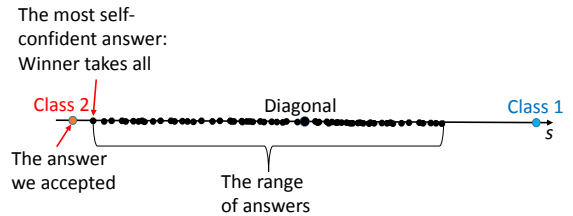


Fig. 3. Interpretation of community answer: Most self-confident winner takes all. Dots correspond to the various agents’ answers, s is defined in Fig. 2.

neurons [20] but already single-neuron correctors (Fisher’s discriminants) can help in explanation of a wealth of empirical evidence related to in-vivo recordings of “Grandmother” cells and “concept” cells [17], [22].

II. SUPERVISING STAGE: PROBLEM OWNERS, MARGINS, SELF-CONFIDENCE, AND ERROR FUNCTIONS

Consider binary classification problems. The neural experts with arbitrary internal structure have two outputs, out1 and out2, with interpretation: the sample belongs to class 1 if $out1 \geq out2$ and it belongs to class 2 if $out1 < out2$. For any given $\epsilon > 0$ we can define the level of (self-)confidence in the classification answer as it demonstrated in Fig. 2. The *owner of a sample* is an expert that gives the best (correct and most confident) answer for this sample. If we assume the single owner for every sample then in the community functioning for problem solving this single owner gives the final result (Fig. 3).

We aim to train the community of agents in such a way that they will give correct self-confident answers to the samples they own, and do not make large mistakes on all other examples they never met before. The desired histogram of answers is presented in Fig. 3.

Learning is minimisation of error functionals, which is defined for any selected sample and any local expert. This error function should be different for owners and non-owners of the sample. If we assume that each sample has a single

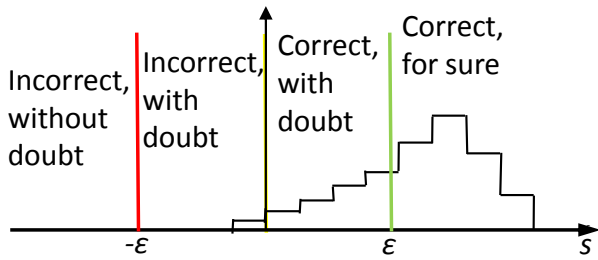


Fig. 4. Histogram of answers for trained community of agents: they should give a correct self-confident answer to the samples they own, and do not make large mistakes on all other examples they never met before.

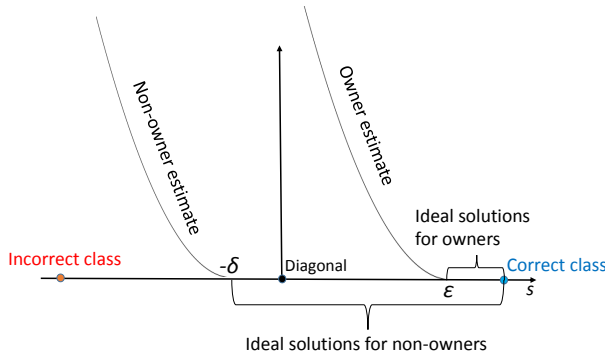


Fig. 5. Soft margin error function for owners and non-owners (one owner).

owner then the error function presented in Fig. 5 can be used.

Voting of k most self-confident experts (Fig. 6) can make the decision more stable. This voting may be organised with weights of votes, which depend on the individual experts' level of confidence, or without weights, just as a simple voting. The modified error function for system with collective ownership (each sample has k owners) is needed (Fig. 7). This function is constructed to provide proper answers of all k owners.

III. SELF-LEARNING STAGE: COMMUNITIES AND RECOMMENDER SYSTEMS

After the stage of supervising learning, community of local experts can start working with new, previously unlabeled data.

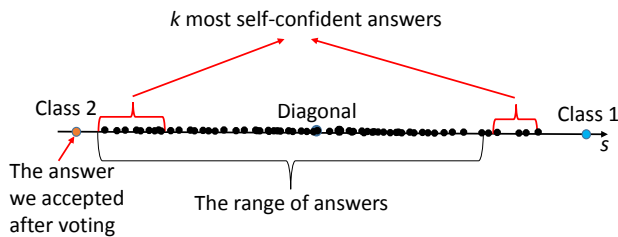


Fig. 6. Interperation of community answer with collective ownership: Voting of k most self-confident winners.

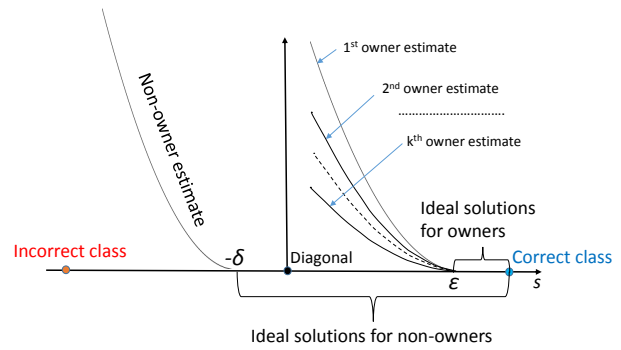


Fig. 7. Soft margin error function for owners and non-owners (k owners).

For a new example, the owners will be identified and the task will be solved by the owners following decision from from Figs. 3, 6 or similar rules with distribution of responsibility between the most self-confident experts. After such labeling steps the learning cycles should follow with improvement of experts' performance (they should give the correct self-confident answers to the samples they own, and do not make large mistakes for all other examples).

This regular alternation, solving new tasks – learning – solving new task – ..., provides adaptation to the graduate change in reality and assimilation of growing data. It is not compulsory that all local experts are answering the same tasks. A sort of soft *biclustering systems* of experts and problems should be implemented to link a problem to potential experts and an expert to tasks it can own. Selection of experts should be done with some excess to guarantee sufficient number of selected skilled experts for correct solution. Originally [8], a version of neural network associative memory was proposed to calculate the relative weight of an expert for solution of a problem (we can call it “affinity of an expert to a problem”). A well-developed technology of recommender systems [23] includes many solutions potentially usable for recommendations of local experts to problems and problems to local experts. Implementation of a recommender system for the assignment of local experts to solve problems transforms the community of agents into hierarchical “social network” with various nodes and groups.

IV. CORRECTORS, KNOWLEDGE TRANSFER, AND INTERIORISATION

Objectives of the community self-learning are:

- Assimilation of incrementally growing data;
- Adaptation to graduate change in reality;
- Non-iterative knowledge transfer from the locally best experts to other agents;

In the community self-learning process for each sample the locally best experts (owners) find the label. After the labeling, the skills should be improved. The supervised learning of large multiagent system requires large resources. It should not destroy the previous skills and, therefore, the large labeled data base of previous tasks should be used. It can require

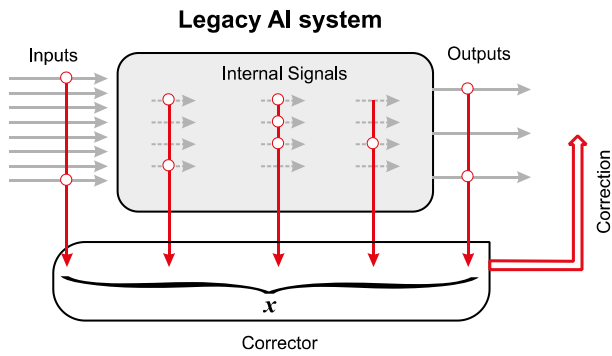


Fig. 8. Corrector of AI errors.

large memory and many iterations, which involve all the local experts. It is desirable to correct the errors (or increase the level of confidence, if it is too low) without destroying of previously learned skills. It is also very desirable to avoid usage of large database and long iterative process.

Communities of AI systems in real world will work on the basis of heterogeneous networks of computational devices and in heterogeneous infrastructure. Real-time correction of mistakes in such heterogeneous systems by re-training is not always viable due to the resources involved. We can, therefore, formulate the technical requirements for the correction procedures [17]. *Corrector* should:

- be simple;
- not destroy the existing skills of the AI systems;
- allow fast non-iterative learning;
- allow correction of new mistakes without destroying of previous corrections.

Surprisingly, all these requirements can be met in sufficiently high dimensions. For this purpose, we propose to employ the concept of corrector of legacy AI systems, developed recently [16], [20] on the basis of stochastic separation theorems [19]. For high-dimensional distributions in n -dimensional space every point from a large finite set can be separated from all other points by a simple linear discriminant. The size of this finite set can grow exponentially with n . For example, for the equidistribution in an 100-dimensional ball, with probability > 0.99 every point in $2.7 \cdot 10^6$ independently chosen random points is linearly separable from the set of all other points.

The idea of a corrector is simple. It corrects an error of a single local expert. Separate the sample with error from all other samples by a simple discriminant. This discriminant splits the space of samples into two subsets: the sample with errors belongs to one of them, and all other samples belong to “another half”. Modify the decision rule for the set, which includes the erroneous sample. This is corrector of a legacy AI system (Fig. 8). Inputs for this corrector may include input signals, and any internal or output signal of the AI system.

One corrector can correct several errors (it is useful to cluster them before corrections). For correction of many errors, cascades of correctors are employed [17]: the AI system with the first corrector is a new legacy AI system and can be

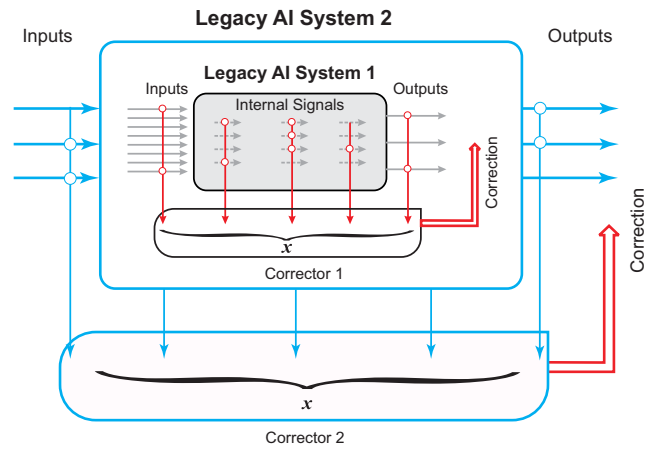


Fig. 9. Cascade of AI correctors

corrected further, as presented in Fig. 9. In this diagram, the original legacy AI system (shown as Legacy AI System 1) is supplied with a corrector altering its responses. The combined new AI system can in turn be augmented by another corrector, leading to a cascade of AI correctors.

Fast *knowledge transfer* between AI systems can be organised using correctors [21]. The “teacher” AI labels the samples, and a “student” AI also attempts to label them. If their decisions coincide (with the desired level of confidence) then nothing happens. If they do not coincide (or the level of confidence of a student is too low) then a corrector is created for the student. From the technological point of view it is more efficient to collect samples with student’s errors, then cluster these samples and create correctors for the clusters, not for the individual mistakes. Moreover, new real-world samples are not compulsory needed in the knowledge transfer process. Just a large set of randomly generated (simulated) samples labeled by the teacher AI and the student AI can be used for correction of the student AI with skill transfer from the teacher AI.

Correctors assimilate new knowledge in the course of the community self-learning process (Fig. 10). After collection of a sufficiently large cascade of correctors, a local expert needs to assimilate this knowledge in its internal structure. The main reason for such *interiorisation* is restoring of the regular essentially high-dimensional structure of the distribution of preprocessed samples with preservation of skills. This process can be iterative but it is much simpler than the initial supervising learning. The local expert with the cascade of correctors becomes the teacher AI, and the same expert without correctors becomes the student AI (see Fig. 10). Available real dataset can be supplemented by the randomly simulated samples and, after iterative learning the skills from the teacher are transferred to the student (if the capacity of the student is sufficient). The student with updated skills returns to the community of local experts.

Two important subsystems are not present in Fig. 10): the manager – recommender and the ultimate auditor. The *manager – recommender* distributes tasks to local experts and

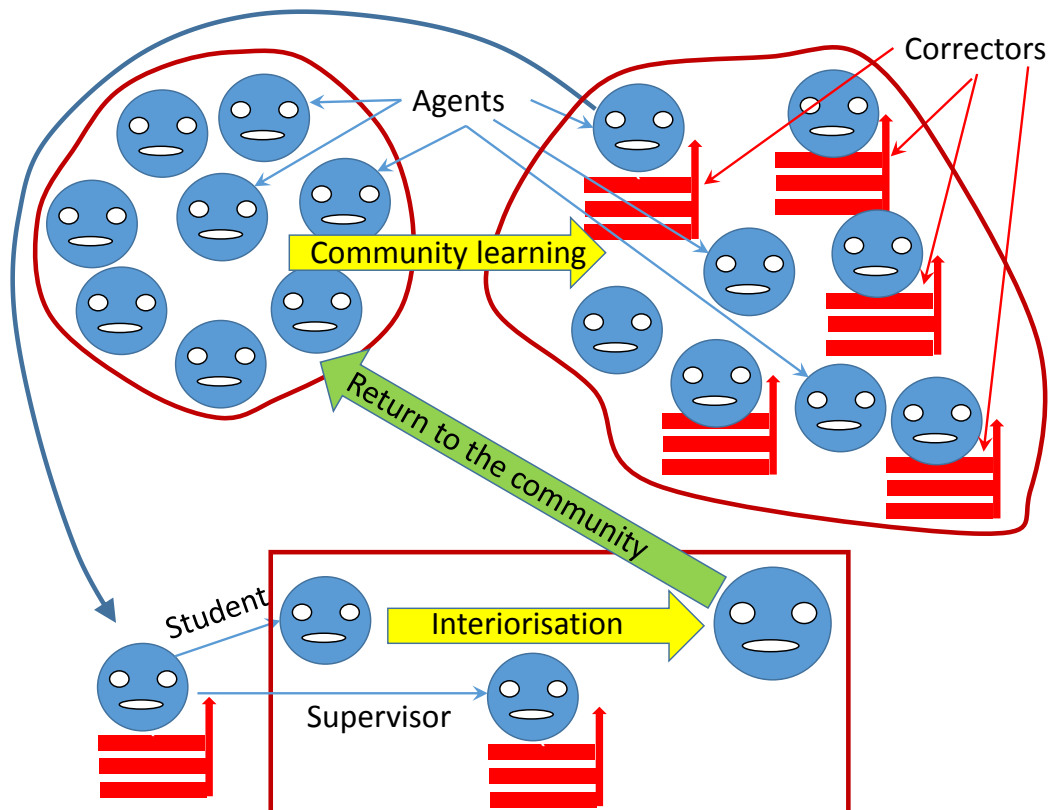


Fig. 10. Community learning, self-learning, and interiorisation of knowledge.

local experts to tasks. It takes decisions on the basis of the previous experience of problem solving and assigns experts to problems with an adequate surplus, for reliability, and with some stochastisation, for the training of various experts and for the extension of experts' pool.

In practice, the self-learning and self-labeling of samples performed by the selected local experts is supplemented by the labeling of samples and critics of decisions by an *ultimate auditor*. First of all, this auditor is the real practice itself: the real consequences of the decisions return to the systems. Secondly, the ultimate audit may include inspection by a qualified human or by a special AI audit system with additional skills.

V. CONCLUSION

REFERENCES

- [1] L. Columbus, "Gartner's hype cycle for emerging technologies, 2017 adds 5G and deep learning for first time," *Forbes / Tech / #CuttingEdge*, August 15, 2017.
- [2] D.C. Engelbart, "Augmenting human intellect: a conceptual framework," Stanford Research Institute, Summary Report, AFOSR-3223, Contract AF 49(638)-1024. 144 pp. 1962.
- [3] A.N. Gorban, E.M. Mirkes, V.G. Tsaregorodtsev, "Generation of explicit knowledge from empirical data through pruning of trainable neural networks." In *Neural Networks, 1999. IJCNN'99. International Joint Conference on 1999 Jul (Vol. 6, pp. 4393-4398)*. IEEE.
- [4] A.N. Gorban, *Training Neural Networks*, Moscow: USSR-USA JV "ParaGraph". 1990.
- [5] Y. LeCun, J.S. Denker, S.A. Solla, "Optimal brain damage," In *Advances in Neural Information Processing Systems*, pp. 598–605, 1990.
- [6] A.N. Gorban, "Neuroinformatics and applications", *Otkrytye Sistemy, SUBD [Open Systems, DBMS]*, 4, 1998. <https://www.osp.ru/os/1998/04/179540/>
- [7] Plato, "Phaedrus", translated by B. Jowett, The Project Gutenberg eBook of Phaedrus, by Plato, 2013. <http://www.gutenberg.org/files/1636/1636-h/1636-h.htm>
- [8] S.E. Gilev, A.N. Gorban, E.M. Mirkes, "Small experts and internal conflicts in learning neural networks," *Akademiia Nauk SSSR, Doklady*, vol. 320 (1), pp. 220-223, 1991.
- [9] R.A. Jacobs, M.I. Jordan, S.J. Nowlan, G.E. Hinton, "Adaptive mixtures of local experts," *Neural computation*, vol. 3 (1), pp. 79-87, 1991.
- [10] Gilev SE, Gorban AN, Kochenov DA, Mirkes YM, Golovenkin SE, Dogadin SA, Maslennikova EV, Matyushin GV, Nozdrachev KG, Rossiev DA, Shulman VA. "MultiNeuron neural simulator and its medical applications." In *Proceedings of International Conference On Neural Information Processing, ICONIP1994, Vol. 3, No. 2, pp. 1261-1264*.
- [11] Gorban A. N., Rossiev D. A., Gilev S. E., Dorrer M. A., Kochenov D. A., Mirkes Ye. M., Golovenkin S. E., Dogadin S. A., Nozdrachev K. G., Matyushin G. V., Shulman V. A., Savchenko A. A. Medical and physiological applications of MultiNeuron neural simulator. In: DeWitt, J.T. (ed.): *Proceedings of the WCNN'95 (World Congress on Neural Networks'95, Washington DC, July 1995)*, pp. 170–175. Lawrence Erlbaum Associate, 1996.
- [12] A.N. Gorban, D.A. Rossiev, E.V. Butakova, S.E. Gilev, S.E. Golovenkin, S.A. Dogadin, M.G. Dorrer, D.A. Kochenov, A.G. Kopytov, E.V. Maslennikova, G.V. Matyushin, Medical, psychological and physiological applications of MultiNeuron neural simulator. In *Neuroinformatics and Neurocomputers, 1995, Second International Symposium on*, pp. 7–14. IEEE, 1995.
- [13] P.C. Kainen, "Utilizing geometric anomalies of high dimension: when complexity makes computation easier." In *Computer-Intensive Methods in Control and Signal Processing: The Curse of Dimensionality*. New York, Springer, pp. 283–294. 1997.
- [14] D.L. Donoho, *High-dimensional data analysis: The curses and blessings*

- of dimensionality. AMS Math Challenges Lecture, 1, 32 pp., 2000. <http://statweb.stanford.edu/~donoho/Lectures/AMS2000/Curses.pdf>
- [15] J. Anderson, M. Belkin, N. Goyal, L. Rademacher, J. Voss, "The More, the Merrier: the Blessing of dimensionality for learning large Gaussian mixtures," *Journal of Machine Learning Research: Workshop and Conference Proceedings* **35**, pp. 1–30, 2014.
 - [16] A.N. Gorban, I.Y. Tyukin, I. Romanenko, "The Blessing of Dimensionality: Separation Theorems in the Thermodynamic Limit," *IFAC-PapersOnLine* **49-24**, 064–069, 2016.
 - [17] A. N. Gorban, I.Y. Tyukin, "Blessing of dimensionality: mathematical foundations of the statistical physics of data," *Philosophical Transactions of the Royal Society A*, accepted, 2018. DOI 10.1098/rsta.2017.0237, <https://arxiv.org/abs/1801.03421>
 - [18] Ledoux M. 2001 *The Concentration of Measure Phenomenon*. (Mathematical Surveys & Monographs No. 89). Providence: AMS.
 - [19] A. N. Gorban, I.Y. Tyukin, "Stochastic separation theorems." *Neural Netw.* **94**, pp. 255–259, 2017.
 - [20] A. N. Gorban, I. Romanenko, R. Burton, I.Y. Tyukin. "One-trial correction of legacy AI systems and stochastic separation theorems." 2016 <https://arxiv.org/abs/1610.00494>
 - [21] I.Y. Tyukin, A. N. Gorban, K. Sofeikov, I. Romanenko. "Knowledge transfer between artificial intelligence systems." 2017 <https://arxiv.org/abs/1709.01547>
 - [22] I.Y. Tyukin, A. N. Gorban, C. Calvo, J. Makarova, V.A. Makarov. "High-dimensional brain. A tool for encoding and rapid learning of memories by single neurons." 2017 <https://arxiv.org/abs/1710.11227>
 - [23] F. Ricci, L. Rokach, B. Shapira (Eds.), *Recommender Systems Handbook*, Springer, 2015.