

The ABCDEFG of Little Strings

Nathan Haouzi^a, Can Kozcaz^{b,c,d,1}

^a*Center for Theoretical Physics, University of California, Berkeley, USA*

^b*Department of Physics, Boğaziçi University, Istanbul, Turkey*

^c*Center of Mathematical Sciences and Applications, Harvard University, USA*

^d*Jefferson Physical Laboratory, Harvard University, USA*

E-mail: nathanhaouzi@berkeley.edu, can.kozcaz@boun.edu.tr

ABSTRACT: Starting from type IIB string theory on an ADE singularity, the $(2,0)$ little string arises when one takes the string coupling g_s to 0. In this setup, we give a unified description of the codimension-two defects of the little string, for any simple Lie algebra \mathfrak{g} . Geometrically, these are D5 branes wrapping 2-cycles of the singularity. Equivalently, the defects are specified by a certain set of weights of ${}^L\mathfrak{g}$, the Langlands dual of \mathfrak{g} . As a first application, we show that the partition function of the \mathfrak{g} -type quiver gauge theory on the defect is equal to the 3-point conformal block of the \mathfrak{g} -type q -deformed Toda theory in the Coulomb gas formalism. As a second application, we make contact with Bala–Carter theory to show that in the CFT limit, the Coulomb branch of the defects flows to a nilpotent orbit of \mathfrak{g} , and that all nilpotent orbits of \mathfrak{g} arise in this way.

¹Current affiliation Boğaziçi University

Contents

1	Introduction	2
2	(2,0) Little String and Codimension 2 Defects	5
2.1	<i>ADE</i> -type Defects	5
2.2	<i>BCFG</i> -type Defects	6
2.3	Coweights Description of Defects	7
2.4	Polarized and Unpolarized Defects	9
3	\mathfrak{g}-type Triality	11
3.1	5d Gauge Theory Partition Function	11
3.2	3d Gauge Theory Partition Function	14
3.3	\mathfrak{g} -type Toda and its q -deformation	17
3.3.1	Free Field Toda CFT	17
3.3.2	q -deformed Toda CFT	19
3.4	Proof of Triality	22
3.4.1	3d-5d Partition functions	22
3.4.2	q -deformed Toda Conformal Block and 3d Partition Function	24
3.5	Quantization of Weights and Unpolarized Defects	25
4	(2,0) CFT Limit and Nilpotent Orbits Classification	25
4.1	Description of the Defects	25
4.2	Bala–Carter Labeling of Nilpotent Orbits	29
4.3	Some Comments on Classification	30
5	Examples	32
5.1	Sphere with 3 full punctures	32
5.1.1	A_n Full Puncture	33
5.1.2	D_n Full Puncture	36
5.1.3	E_n Full Puncture	37
5.1.4	G_2 Full Puncture	40
5.1.5	F_4 Full Puncture	42
5.1.6	B_n Full Puncture	44
5.1.7	C_n Full Puncture	46
5.2	All Punctures of the G_2 Little String and CFT Limit	48
5.2.1	The \emptyset Orbit	48
5.2.2	The A_1 Orbit	50
5.2.3	The A_{1_s} Orbit	51
5.2.4	The $G_2(a_1)$ Orbit	52
5.2.5	Bala–Carter Labels and Unpolarized Classification	52

5.3	Non-Simply Laced Triality from Folding	53
5.4	Unpolarized Defects of G_2 and Quantization of a Null Coweight	56

1 Introduction

In the landscape of quantum field theories, six-dimensional superconformal field theories (SCFTs) hold a privileged place: six is the highest number of dimensions where a conformal field theory with supersymmetry can exist. Those SCFTs are truly exotic in many regards: in Physics, the theories with $(1, 0)$ or $(2, 0)$ supersymmetry, for instance, have no description in terms of an action functional. Furthermore, the degrees of freedom of those theories are described by tensionless strings. On the Mathematics side, there is no precise definition of the theory, which makes it problematic to study.

It proves useful instead to analyze a deformation of the 6d SCFT: the six-dimensional little string is such a theory. The $(2, 0)$ little string is labeled by a Lie algebra \mathfrak{g} , of *ADE* type. One can obtain it from type IIB string theory compactified on a surface X with an *ADE* type singularity, and by sending the string coupling g_s to zero. The $(2, 0)$ CFT is recovered by sending to infinity the only scale left in the theory, the string mass m_s (while keeping the moduli of the $(2, 0)$ theory fixed in the process.)

A good illustration is the recently discovered relation between Nakajima quiver varieties and vertex operator algebras [1]. More precisely, a conjecture was made that certain 4d $\mathcal{N} = 2$ theories whose origin is the 6d $(2, 0)$ SCFT compactified on a punctured Riemann surface \mathcal{C} , are related to a 2d conformal field theory on the surface, of Toda type, with $\mathcal{W}(\mathfrak{g})$ -algebra symmetry.

The little string setup enables one to state a version of this correspondence precisely, generalize it, and prove it: the partition function of the $(2, 0)$ little string on a Riemann surface \mathcal{C} , with D5 branes at points on \mathcal{C} , is in fact equal to a “quantum” deformation of the Toda CFT conformal block on the surface \mathcal{C} [2] (such q -deformed $\mathcal{W}_{q,t}(\mathfrak{g})$ -algebras were first analyzed in the 90’s by [3–5]). The vertex operators in Toda theory are determined by the positions and the types of defects. Specifically, the D5 branes are codimension two defects that are points on the Riemann surface \mathcal{C} and wrap non-compact 2-cycles of the resolved singularity X .

A first result of our paper is the extension of the above correspondence to all simple Lie algebras \mathfrak{g} . For definiteness, we fix the Riemann surface \mathcal{C} to be the cylinder. Non simply-laced theories arise in type IIB string theory from a non-trivial fibration of the surface X over $\mathbb{C}^2 \times \mathcal{C}$. Then, the little string compactified on \mathcal{C} , with D5 brane at points on it, is described by a 5d quiver gauge theory of shape the Dynkin diagram of \mathfrak{g} , with unitary gauge groups and $\mathcal{N} = 1$ supersymmetry; its partition function was computed recently in [6]. We show that this partition function becomes a conformal block of q -deformed \mathfrak{g} -type Toda, with insertion of certain vertex operators. The vertex operators are labeled by a collection of coweights of \mathfrak{g} , or equivalently, of weights taken in the Langlands dual algebra ${}^L\mathfrak{g}$, and obeying certain constraints that we specify explicitly.

More precisely, the above correspondence is in fact a triality: to see this, one considers D3 branes that are points on the cylinder \mathcal{C} , and which wrap compact 2-cycles in X . The theory on these branes is a 3d quiver gauge theory, also of shape the Dynkin diagram of \mathfrak{g} , with $\mathcal{N} = 2$ supersymmetry. We show that the partition function of the 3d gauge theory is equal to the 5d partition function, when the 5d Coulomb moduli are integer-valued. This gives a version of gauge/vortex duality when \mathfrak{g} is non simply-laced. The triality follows because the 3d theory's partition function, written as an integral over Coulomb moduli, is the same as a q -deformed Toda conformal block, where the number of D3 branes becomes the number of screening charges in Toda.

Our second result is the classification of these D5 brane defects, in terms of what we define as polarized and unpolarized sets of coweights of \mathfrak{g} . The polarized defects have a direct interpretation in terms of parabolic subalgebras of \mathfrak{g} , while the unpolarized ones do not. Our results have implications in the context of the above-mentioned triality: the coweights defining the defects become “quantized” and appear explicitly in the evaluation of the 3d partition function and q -deformed conformal block. In particular, the quantization of coweights becomes a crucial ingredient in the analysis of unpolarized defects, and naturally leads us to consider never-studied 3d quiver gauge theories. Defects engineered from null coweights are such examples.

Furthermore, we identify the defects in the CFT limit, after taking the string mass m_s to infinity. It is well known today that codimension 2 defects of the 6d (2,0) CFT are classified by nilpotent orbits [7–14]. Here, we show that all nilpotent orbits of \mathfrak{g} are realized as the m_s to infinity limit of the Coulomb branch of some 5d quiver gauge theory living on D5 branes. Furthermore, the coweight data of the D5 branes defining those quivers encodes the Bala–Carter labeling of the nilpotent orbits in the CFT limit. Following [15], we also point out that the 5d defect quivers are related to so-called weighted Dynkin diagrams of \mathfrak{g} .

Let us mention that the results of this paper are relevant to a correspondence known as geometric Langlands, which aims to prove an equivalence between specific categories associated to a connected complex Lie group and its Langlands dual. This duality can be phrased in the context of two-dimensional conformal field theories on a Riemann surface: on one side, one considers the center of the affine Kac-Moody algebra $\widehat{L\mathfrak{g}}$ at level $Lk = -L\hbar^\vee$; on the other side, one considers the classical W -algebra $\mathcal{W}_\infty(\mathfrak{g})$. Recently, a two-parameter deformation of the geometric Langlands correspondence has been proposed [16]: the first side of the duality becomes the quantum affine algebra $\mathcal{U}_\hbar(\widehat{L\mathfrak{g}})$, a quantum deformation by the parameter \hbar of the universal enveloping algebra of $\widehat{L\mathfrak{g}}$. The other side becomes the W -algebra $\mathcal{W}_{q,t}(\mathfrak{g})$ mentioned above:

$$\mathcal{U}_\hbar(\widehat{L\mathfrak{g}}) \longleftrightarrow \mathcal{W}_{q,t}(\mathfrak{g})$$

In particular, evidence was found that the conformal blocks of the two theories should be the same. A natural and important generalization is to introduce ramifications at points on the Riemann surface in this picture. These ramifications are nothing but the D5 branes we study in this paper, so our results provide an explicit realization of the objects on the right-hand side of the duality. We leave it to future work to analyze the left-hand side and prove the correspondence with ramifications.

The paper is organized as follows: in Section 2, we review the (2,0) little string theory and the defects for the simply-laced Lie algebras. Then we extend the setup to include the non simply-laced algebras as well. In Section 3, we provide a unified treatment of triality for an arbitrary simple Lie algebra, and prove it. In Section 4, we take the string mass m_s to infinity in the little string and make contact with the classification of defects as nilpotent orbits. Section 5 is dedicated to the study of various examples illustrating the statements of the paper for all simple Lie algebras.

2 (2,0) Little String and Codimension 2 Defects

The (2,0) little string is a six dimensional theory, labeled by a $\mathfrak{g} = ADE$ Lie algebra. It therefore has 16 supercharges. The little string theory is not a local QFT, and the strings have a finite tension m_s^2 . The theory was originally discovered in [17–19]¹. There has been a renewed interest in its study recently, in a variety of contexts [2, 16, 21–30].

One construction of the theory starts in type IIB compactified on a complex two-dimensional surface X labeled by the simply laced Lie algebra \mathfrak{g} . This surface X is a hyperkähler manifold, which one constructs by resolving a \mathbb{C}^2/Γ singularity; Γ is a discrete subgroup of $SU(2)$, and the fact that such discrete subgroup is labeled by the simply-laced Lie algebra \mathfrak{g} is known as the McKay correspondence [31]. One then sends the string coupling g_s to zero, which decouples the gravitational interactions in the type IIB string theory; that does not make the theory trivial: the degrees of freedom supported near the surface X remain. Indeed, the moduli space of the (2,0) little string is $(\mathbb{R}^4 \times S^1)^{\text{rk}(\mathfrak{g})}/W$, with W the Weyl group of \mathfrak{g} , and the different scalars parameterizing this moduli space come from the moduli of the metric on X , as well as the NSNS and RR B-fields of the type IIB theory. At energies well below the string scale m_s , the little string reduces to a (2,0) 6d CFT.

2.1 ADE-type Defects

We further compactify the (2,0) little string theory on a Riemann surface \mathcal{C} ; in this paper, the Riemann surface will be the cylinder $\mathcal{C} = \mathbb{R} \times S^1(\hat{R})$. Note that $X \times \mathcal{C}$ is a solution of the type IIB string theory, since the cylinder has a flat metric. Our main subject of study in this note will be codimension two defects in the little string, which will be D5 branes in type IIB. We take the D5 branes to wrap non-compact 2-cycles in X and \mathbb{C}^2 , and to be points on the cylinder \mathcal{C} . A single D5 brane will break half of the supersymmetry, leaving us with 8 supercharges; since we will ultimately be considering a collection of many D5 branes, it is important that they preserve the same supersymmetry. This can be done by setting to zero the periods of certain self-dual 2-forms defined on X . For more details on this configuration, see [2], where it was first studied in our context. The tension of the D5 branes is finite in the little string limit $g_s \rightarrow 0$, so one can study the theory on the branes explicitly. At low energies, below the string scale, it takes the form of a five-dimensional quiver gauge theory, with $\mathcal{N} = 1$ supersymmetry². The quiver has the shape of the Dynkin diagram of \mathfrak{g} [32], with unitary gauge groups. In the rest of this paper, we will call this gauge theory T^{5d} .

¹For a review on the theory’s basic features, see [20]

²The 5d nature of the theory, as opposed, say, to a 4d $\mathcal{N} = 2$ theory, is due to the presence here of the circle $S^1(\hat{R})$ making up the cylinder \mathcal{C} . Even though the D5 branes are points on this $S^1(\hat{R})$, they still feel its presence as KK modes on the T-dual circle $S^1(R) = 1/m_s^2 S^1(\hat{R})$. The low energy physics is therefore an honest 5d theory on a circle. Had we chosen the Riemann surface $\mathcal{C} = \mathbb{C}$, the low energy physics would have been a 4d theory; had we chosen $\mathcal{C} = T^2$, the low energy physics would have been a 6d theory on the T-dual torus.

The dictionary from geometry to gauge theory data is as follows: the moduli of the 6d $(2, 0)$ theory become gauge couplings of T^{5d} . The D5 branes which wrap compact two-cycles of X are dynamical, and as such, their positions on \mathcal{C} are the Coulomb moduli of the gauge theory. The D5 branes which wrap non-compact two-cycles of X are frozen, by virtue of the fact that these two-cycles extend to infinity; as such, the position of these D5 branes on \mathcal{C} realizes mass parameters for fundamental hypermultiplets.

2.2 BCFG-type Defects

Let \mathfrak{g}' be a simply-laced Lie algebra. We call \mathfrak{g} a subalgebra of \mathfrak{g}' invariant under the outer automorphism group action of \mathfrak{g}' . It is well known that such outer automorphisms of \mathfrak{g}' are in one-to-one correspondence with the automorphisms of the Dynkin diagram of \mathfrak{g}' . The resulting subalgebras \mathfrak{g} are called non simply-laced. Let A be an outer automorphism group of \mathfrak{g}' . Then either $A = \mathbb{Z}_2$ or $A = \mathbb{Z}_3$, where the precise group action is shown in Figure 1 below:

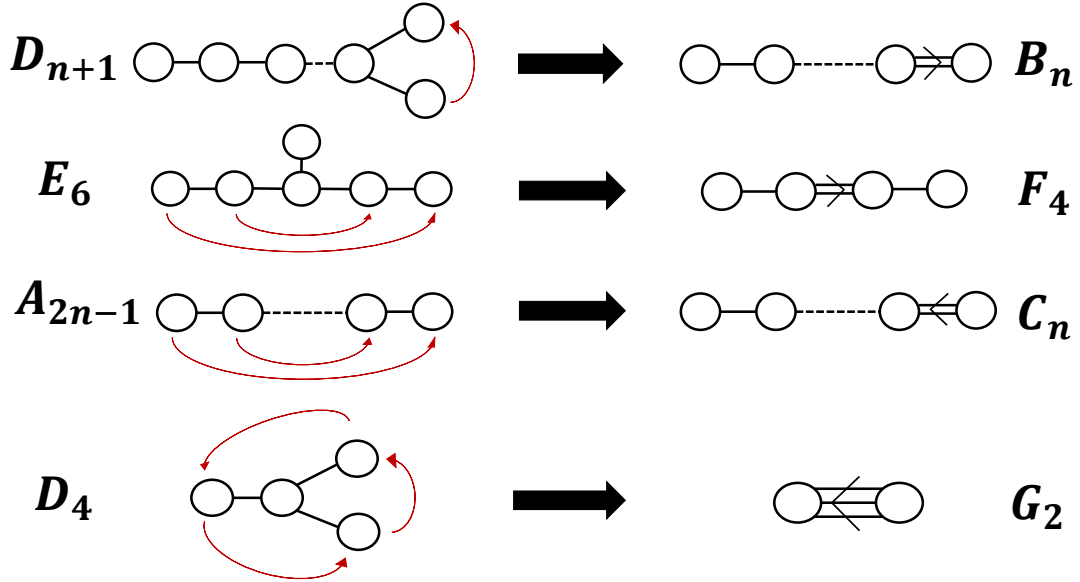


Figure 1: The action of the outer automorphism group A on the simply-laced Lie algebras. In the case of D_4 , the outer automorphism can be either \mathbb{Z}_2 (resulting in B_3) or \mathbb{Z}_3 (resulting in G_2).

From our discussion of the McKay correspondence, it is clear how one can engineer non-simply laced theories in the little string context [33]. Namely, consider the following nontrivial fibration of X over $\mathbb{C}^2 \times \mathcal{C}$: as one goes around the origin of one of the complex planes \mathbb{C} wrapped by the D5 branes, we require that X goes back to itself, up to the action of the group A . This action will permute some of the compact two-cycles, according to Figure 1, and there is a corresponding action on the root lattice of \mathfrak{g}' . Let $a \in A$. If the set

of simple roots of \mathfrak{g}' is denoted Δ , then the simple roots of \mathfrak{g} are grouped into two sets:

$$\Delta_l = \{\alpha \mid \alpha \in \Delta, \alpha = a(\alpha)\} \quad (2.1)$$

is the set of roots of \mathfrak{g}' invariant under the action of A . They are called the long roots of \mathfrak{g} , and we set them to have length squared 2. The remaining simple roots of \mathfrak{g} are constructed as follows:

$$\text{If } A = \mathbb{Z}_2, \quad \Delta_s = \left\{ \frac{1}{2}(\alpha + a(\alpha)) \mid \alpha \in \Delta, \alpha \neq a(\alpha) \right\} \quad (2.2)$$

$$\text{If } A = \mathbb{Z}_3, \quad \Delta_s = \left\{ \frac{1}{3}(\alpha + a(\alpha) + a^2(\alpha)) \mid \alpha \in \Delta, \alpha \neq a(\alpha) \right\} \quad (2.3)$$

They are called the short roots of \mathfrak{g} , and have length squared $2/r$, with r the lacing number of \mathfrak{g} ($r = 2$ if $A = \mathbb{Z}_2$ and $r = 3$ if $A = \mathbb{Z}_3$).

Denoting the Cartan-Killing form by $\langle \cdot, \cdot \rangle$, note we have assumed that the length squared $\langle \alpha_a, \alpha_a \rangle$ of the simple root α_a in \mathfrak{g}' is equal to 2. The simple coroots of \mathfrak{g} are defined by $\alpha_a^\vee = 2\alpha_a / \langle \alpha_a, \alpha_a \rangle$, and the Cartan matrix of \mathfrak{g} is $C_{ab} = \langle \alpha_a, \alpha_b^\vee \rangle$.

Not all D5 brane configurations as described in Section 2.1 will represent defects in the nontrivial fibration of X over $\mathbb{C}^2 \times \mathcal{C}$; only the D5 branes that wrap 2-cycles left invariant under A -action are allowed. This implies the following for the quiver theory T^{5d} describing the D5 branes: starting with a simply-laced quiver theory, the ranks of the flavor and gauge groups which lie in a given orbit of A must be equal. A non simply-laced defect is then well-defined.

A fundamental coweight w_a^\vee of \mathfrak{g} is in fact a sum of fundamental weights of \mathfrak{g}' , all belonging in the same A orbit. So fundamental coweights are appropriate to label the D5 branes wrapping non-compact 2-cycles of the fibered geometry. They are defined by $\langle w_a^\vee, \alpha_b \rangle = \delta_{ab}$, with α_b a simple root of \mathfrak{g} , and $a, b = 1, \dots, \text{rank}(\mathfrak{g})$. Furthermore, the simple coroots are the adequate objects to label the D5 branes wrapping compact 2-cycles of the geometry.

Note the fundamental coweights of \mathfrak{g} are the fundamental weights of ${}^L\mathfrak{g}$, and the simple coroots of \mathfrak{g} are the simple roots of ${}^L\mathfrak{g}$. We can therefore equally well label the D5 brane defects using the fundamental weights and simple roots of ${}^L\mathfrak{g}$ if we wish to do so ³.

2.3 Coweights Description of Defects

Though in principle a very generic assortment of D5 branes can be studied in this setup (with the only requirement that the branes preserve the same supersymmetry), a beautiful structure emerges when one imposes a conformality constraint (in a 4d $\mathcal{N} = 2$ sense) on the set of branes:

³In particular, when \mathfrak{g} is simply-laced, the coweight lattice (respectively coroot lattice) is the same as the weight lattice (respectively root lattice).

This is the requirement that the net brane flux at infinity should vanish. Correspondingly, this imposes constraints on which specific non-compact 2-cycles of X should be wrapped by the D5 branes.

We choose a class $[S^*]$ in the coweight lattice Λ_*^\vee of \mathfrak{g} . Each weight thus specifies the charge of D5 branes wrapping non-compact 2-cycles of X . We can expand a given set of weights, identified here with a non-compact homology class $[S^*]$, in terms of fundamental coweights:

$$[S^*] = - \sum_{a=1}^n m_a w_a^\vee \in \Lambda_*^\vee, \quad (2.4)$$

with m_a non-negative integers and $n = \text{rank}(\mathfrak{g})$. The w_a^\vee are the n fundamental coweights of \mathfrak{g} . Each fundamental coweight is conveniently written with Dynkin labels as a vector of size n , with a 1 in the a -th entry and 0 everywhere else. For instance, $w_2^\vee = [0, 1, 0, 0, \dots, 0]$. In what follows, all coweights will be written in this fundamental coweight basis.

To get the brane flux to vanish, we then need to add some D5 branes wrapping a compact homology class $[S]$ in the coroot lattice of \mathfrak{g} ; we have the following expansion in terms of simple positive coroots:

$$[S] = \sum_{a=1}^n d_a \alpha_a^\vee \in \Lambda^\vee, \quad (2.5)$$

with d_a non-negative integers. The vanishing flux condition takes the form:

$$[S + S^*] = 0. \quad (2.6)$$

Now, if $S + S^*$ vanishes in homology, then $\#(S_a \cap (S + S^*))$ also vanishes, and for all $a = 1, \dots, n$. After a little algebra, we can rewrite (2.6) as

$$\sum_{b=1}^n C_{ab} d_b = m_a, \quad (2.7)$$

with C_{ab} the Cartan matrix of \mathfrak{g} (or equivalently the transpose of the Cartan matrix of ${}^L\mathfrak{g}$).

The physics of triality will emerge when we probe the root of the Higgs branch of the D5 brane theory. To achieve this, we reshuffle the branes and arrange them in a configuration wrapping a set of non-compact cycles S_i^* ; their homology classes ω_i now live in the coweight lattice Λ_*^\vee :

$$\omega_i = [S_i^*] \in \Lambda_*^\vee. \quad (2.8)$$

Therefore, we consider a set of coweights ω_i , all taken in fundamental representations of ${}^L\mathfrak{g}$. They can be decomposed as:

$$\omega_i = -w_a^\vee + \sum_{b=1}^n h_{ib} \alpha_b^\vee, \quad (2.9)$$

where $-w_a^\vee$ is the negative of the a -th fundamental coweight, h_{ib} are non-negative integers, and α_b^\vee is a positive simple coroot. Geometrically, the above decomposition of ω_i has the interpretation of having different D5 branes bind together. In particular, the position of all the compact branes will coincide with the position of at least one of the non-compact D5 branes on \mathcal{C} . We denote the set of coweights ω_i as:

$$\mathcal{W}_S = \{\omega_i\}. \quad (2.10)$$

Then, the number of coweights ω_i 's is the total rank of the flavor group of T^{5d} : $\sum_{a=1}^n m_a$. One can easily show that the constraint (2.6) is equivalent to:

$$\sum_{\omega_i \in \mathcal{W}_S} \omega_i = 0, \quad (2.11)$$

which is also equivalent to (2.7).

In what follows, we will limit our analysis to sets of size ⁴:

$$1 \leq |\mathcal{W}_S| \leq n + 1,$$

since the most generic defect of the \mathfrak{g} -type little string can always be described by at most $n + 1$ coweights satisfying equation 2.11.

In conclusion, by choosing distinct sets of coweights \mathcal{W}_S , we get an explicit realization of all the defects of the little string satisfying (2.7). However, it would be nice to have a finer classification of the defects. It turns out that there is an elegant answer to this problem, which was analyzed for in detail for $\mathfrak{g} = ADE$ in [34, 35]; we will now extend the classification of defects to all simple Lie algebras \mathfrak{g} .

2.4 Polarized and Unpolarized Defects

D5 brane defects are divided into two groups, described as follows: Pick a coweight ω of \mathfrak{g} in a representation of ${}^L\mathfrak{g}$ generated by (minus) some fundamental coweight $-w_a^\vee$ for some a . If ω is in the Weyl group orbit of $-w_a^\vee$, and if all coweights of \mathcal{W}_S satisfy this condition, we call the resulting defect *polarized* ⁵.

If a defect is not polarized, we call it *unpolarized*. The unpolarized defects of the little string theory fall into one of the two following categories:

- The set \mathcal{W}_S only contains the zero coweight $\omega = [0, 0, \dots, 0]$ (with multiplicity one or possibly more).

⁴A given coweight can appear more than once in the set. In fact, it is necessary so when describing a few of the defects of the E_7 and E_8 little string; see [34] for details.

⁵The terminology will be explained in Section 4.1, and is directly related to the definition of the parabolic subalgebras of \mathfrak{g} .

- The set \mathcal{W}_S contains a nonzero coweight ω in a representation of ${}^L\mathfrak{g}$ generated by (minus) some fundamental coweight $-w_a^\vee$, but ω itself is not in the Weyl orbit of the coweight $-w_a^\vee$.

To fully characterize such an unpolarized defect, it is necessary and sufficient to also specify the representation ω belongs in ⁶.

Example 2.1. – Consider the following set of coweights of G_2 :

$$\mathcal{W}_S = \{\omega_1 = [0, 1], \omega_2 = [0, -1]\},$$

written here in the fundamental coweights basis. One can check at once that both coweights satisfy the condition to make \mathcal{W}_S a polarized defect.

– Consider now the following set with a single coweight of F_4 :

$$\mathcal{W}_S = \{\omega = [0, 0, 0, 0]_1\}.$$

This is an unpolarized defect of the F_4 little string theory. Note that the null coweight is present in all four of the fundamental representations of F_4 , and each one of these designates a distinct defect, so we added an extra label to specify which null coweight we are considering. In the present case, $[0, 0, 0, 0]_1$ means that $\omega = -w_1^\vee + \#$ simple positive coroots, with $\#$ a positive integer.

– As a final example, consider the following set of (co)weights of D_5 :

$$\mathcal{W}_S = \{\omega_1 = [1, 0, 0, 0, 0], \omega_2 = [-1, 0, 0, 0, 0]_3\},$$

The weight ω_1 belongs in the Weyl group orbit of $-w_1$, and we take it in (minus) the first fundamental representation of D_5 ; it is a good candidate to make up a polarized defect. However, the weight ω_2 is taken in (minus) the third fundamental representation: $\omega_2 = -w_3 + \#$ simple positive roots (hence the extra label “3”), while it is obviously in the Weyl group orbit of $-w_1$. The set \mathcal{W}_S therefore contains at least one weight (that is, ω_2) which satisfies the unpolarized condition, and we call the resulting defect as a whole unpolarized.

Then, given a set of coweights \mathcal{W}_S defining a polarized defect, the dimension of the Coulomb branch of T^{5d} can be computed in two different ways:

$$\sum_{a=1}^n d_a = \sum_{\langle e_\gamma, \omega_i \rangle < 0} |\langle e_\gamma, \omega_i \rangle|, \quad (2.12)$$

⁶The only unpolarized cases where one does not need to provide this additional data are the so-called simple punctures of B_2 , B_3 , C_2 , D_4 and D_5 theories: these defects are uniquely specified by the zero coweight, which belongs in only one of the fundamental representations of ${}^L\mathfrak{g}$.

where the integers d_a on the left-hand side are the ranks of the unitary gauge groups in the quiver T^{5d} ⁷. The sum on the right-hand side runs over all positive roots e_γ of \mathfrak{g} , and the coweights ω_i summed over must satisfy $\langle e_\gamma, \omega_i \rangle < 0$. The fact that the Coulomb branch dimension of the quiver theory T^{5d} is equal to the left sum is obvious, and the equality with the right sum side follows from rewriting the positive simple roots that occur in terms of positive roots.

If \mathcal{W}_S defines an unpolarized defect, the left-hand side of (2.12) is still a valid way to evaluate its Coulomb branch dimension, but the right-hand side is no longer applicable. We will have more to say about these defects after explaining the physics of triality.

We want to stress that many distinct sets \mathcal{W}_S often result in one and the same quiver gauge theory T^{5d} ; the quivers are simply not a good definition of a defect. Crucial information is contained in the \mathcal{W}_S that is absent in T^{5d} : namely, the coweights tell us which 2-cycles are wrapped by the D5 branes, and this is precisely the data that is crucial to characterize a defect.

3 g-type Triality

The gauge/Liouville triality was first shown in [36] for the gauge group A_1 , then was then extended to the A_n [37] and the D_n and E_n cases [2]. It states the equivalence of the instanton partition function of the 5d ADE quiver gauge theory on $\mathbb{R}^4 \times S^1$ with $\mathcal{N} = 1$ supersymmetry with the partition function of its vortices in 3d at the point of its moduli space where the Coulomb branch meets the Higgs branch. Furthermore, the 3d vortex partition function is nothing but the integral representation of the q -deformed ADE Toda conformal blocks with $\mathcal{W}_{q,t}(\mathfrak{g})$ algebra.

The triality can in fact be derived from the study of the $(2, 0)$ $\mathfrak{g} = ADE$ little string on \mathcal{C} with polarized brane defects. This is because the partition function of the little string can be computed using the 5d ADE quivers. Our goal is to extend the triality to include non-simply laced Lie algebras. To this end, we need to compute the instanton partition function of fractional quiver gauge theories, recently studied in [6].

3.1 5d Gauge Theory Partition Function

We now compute the supersymmetric partition function of the $(2, 0)$ little string theory on $\mathcal{C} \times \mathbb{C}^2$ with a collection of defects at points of \mathcal{C} . As we argued above, this is the partition function of a 5d quiver theory on a circle with twisted boundary conditions, $Z_{5d}(S^1 \times \mathbb{C}^2)$ [38, 39]. As we go around the circle S^1 we rotate different \mathbb{C} 's by different angles, ϵ_1 and ϵ_2 :

$$z_1 \mapsto e^{i\epsilon_1} z_1 \equiv q z_1, \quad z_2 \mapsto e^{i\epsilon_2} z_2 \equiv t^{-1} z_2. \quad (3.1)$$

⁷In fact, a $U(1)$ in each of the n gauge groups is technically frozen, so one should really subtract n to this sum to get the number of normalizable Coulomb moduli. We will keep this subtlety in mind but it will have no incidence on our results.

The partition function for 5d ADE type quiver gauge theories compactified on a circle was computed in [40], lifting the 4d computation from [41]. For the simply laced quivers all nodes in the quiver designate simple roots that are on an equal footing. However, if the quiver is given by a non simply-laced Lie algebra \mathfrak{g} , the nodes label either short or long roots of \mathfrak{g} . In [6], the partition function for quivers that are not of finite-type Dynkin diagrams is computed by using equivariant localization. Such quivers are called fractional, and quivers of non-simply laced type fall into this category (see also [42]). An integer r_a is assigned to each node a to distinguish its relative length squared from the other nodes'. In particular, the partition function will reduce to the simply-laced case when all r_a 's are equal to one. It was argued that the action of only one of the rotation generators is modified to account for the contribution of a given node a :

$$z_1 \mapsto e^{ir_a \epsilon_1} z_1 \equiv q^{r_a} z_1, \quad z_2 \mapsto e^{i\epsilon_2} z_2 \equiv t^{-1} z_2. \quad (3.2)$$

The partition function is an index

$$Z_{5d}(S^1 \times \mathbb{C}^2) = \text{tr}(-1)^F g, \quad ,$$

where $g = q^{r_a(S_1 - S_R)} t^{-S_2 + S_R}$; S_1 and S_2 are the generators of the two rotations around the complex planes in \mathbb{C}^2 defined above. F is the fermion number. Finally, S_R is the generator of the $U(1)_R \subset SU(2)_R$ charge of the R-symmetry⁸. We twist by this R-symmetry to preserve supersymmetry.

This index can be computed using equivariant integration, and written as a sum over fixed point contributions on the instanton moduli space labeled by Young diagrams:

$$Z_{5d} = r_{5d} \sum_{\{\mu\}} I_{5d, \{\mu\}}(q, t; a, m, \tau). \quad (3.3)$$

The normalization factor r_{5d} contains the tree level and the one loop contributions to the partition function. We have used the following shorthand notation for Young diagrams to express the fixed points:

$$\{\mu\} = \{\mu_{I,i}^a\}_{a=1,\dots,n; I=1,\dots,d_a; i=1,\dots,\infty}, \quad (3.4)$$

where the number of nodes in the quiver is given by n . The rank of the gauge groups is d_a . Although only finitely many rows of the Young diagrams are non-zero, we let i to run to infinity keeping in mind after a finite value of i , $\mu_{I,i}^a$'s vanish. Sometimes we prefer to suppress one or both subscripts to avoid cumbersome notation and hope that our notation will be clear from the context. The gauge theory partition function will depend on more parameters than just q and t ; as we reviewed in Section 2.1, there are gauge couplings

⁸When considering type IIB string theory on the surface X , an $SO(5)_R$ R-symmetry is preserved. The D5 branes will only preserve an $SU(2)_R$ subgroup of this R-symmetry, and only a $U(1)_R$ subset is relevant here.

τ 's, which come from certain moduli of the $(2, 0)$ theory in six dimensions; there are also fundamental hypermultiplets masses, which originate from the positions of non-compact D5 branes on \mathcal{C} , and Coulomb moduli, which are the positions of the compact D5 branes on \mathcal{C} . In [6], it is shown that the contributions for different multiplets at the node a depend also on the integer r_a . For our purposes, we assign the integer $r_a = 1, 2$, or 3 at every gauge node a in the quiver. The fixed point contributions $I_{5d, \{\mu\}}$ generically have the following form:

$$I_{5d, \{\mu\}} = e^{\tau \cdot \mu} \cdot \prod_{a=1}^n z_{V_a, \vec{\mu}^a}^{5d} z_{H_a, \vec{\mu}^a}^{5d} z_{CS, \vec{\mu}^a}^{5d} \cdot \prod_{a,b=1}^n z_{H_{ab}, \vec{\mu}^a, \vec{\mu}^b}^{5d}, \quad (3.5)$$

where $z_{V_a, \vec{\mu}^a}^{5d}$ and $z_{H_a, \vec{\mu}^a}^{5d}$ are the contributions of the vector and hyper multiplets for node a at fixed points labeled by representations $\{\vec{\mu}^a\}$, respectively. $z_{CS, \vec{\mu}^a}^{5d}$ stands for the topological Chern-Simons factors. We also have bifundamental matter multiplets charged under two distinct nodes, say a and b , and we label them with $z_{H_{ab}, \vec{\mu}^a, \vec{\mu}^b}^{5d}$. We assume that $z_{H_{ab}, \vec{\mu}^a, \vec{\mu}^b}^{5d}$ is 1 if there is no bi-fundamental hypermultiplet between nodes a and b .

Similar to the simply-laced quivers, the fixed point contributions for all multiplets are written in terms of the same function which is usually referred to as Nekrasov function. However, for the fractional quivers, the Nekrasov functions are modified according to the change in equivariant parameters at different nodes: $(q, t) \mapsto (q^{r_a}, t)$. The most general of Nekrasov function we will need is given by

$$N_{\mu^a \mu^b}(Q; q^{r_{ab}}) = \prod_{i,j=1}^{\infty} \frac{(Qq^{r_a \mu_i^a - r_b \mu_j^b} t^{j-i+1}; q^{r_{ab}})_{\infty}}{(Qq^{r_a \mu_i^a - r_b \mu_j^b} t^{j-i}; q^{r_{ab}})_{\infty}} \frac{(Qt^{j-i}; q^{r_{ab}})_{\infty}}{(Qt^{j-i+1}; q^{r_{ab}})_{\infty}}. \quad (3.6)$$

where r_{ab} is a positive integer divisor of r_a and r_b for now, and $(x; q)_{\infty} = \prod_{i=0}^{\infty} (1 - xq^i)$ is the q -Pochhammer symbol⁹. Let us summarize the contributions from the different multiplets. At each node a , we have a $U(d_a)$ gauge group. The vector multiplets contribute at a fixed point:

$$z_{V_a, \vec{\mu}^a}^{5d} = \prod_{1 \leq I, J \leq d_a} [N_{\mu_I^a \mu_J^a}(e_{a,I}/e_{a,J}; q^{r_a})]^{-1}. \quad (3.7)$$

Here, $e_{a,I} = \exp(R\mathbf{a}_{a,I})$ encode the d_a exponentiated Coulomb branch parameters of the $U(d_a)$ gauge group at the node a . At each node a , we can also couple m_a hypermultiplets charged in fundamental representation of the $U(d_a)$ gauge group with masses β_a 's. They contribute to the partition function:

⁹We suppress the explicit dependence on r_a and r_b to avoid clutter in our notation, and refer only to r_{ab} since they determine the type of the q -Pochhammer symbol. Moreover, we keep r_{ab} generic for now; r_{ab} will be specialized when we introduce the bi-fundamental contributions.

$$z_{H_a, \vec{\mu}^a}^{5d} = \prod_{1 \leq \alpha \leq m_a} \prod_{1 \leq I \leq d_a} N_{\theta \mu_I^a}(v_a^2 f_{a,\alpha}/e_{a,I}; q^{r_a}). \quad (3.8)$$

The exponentiated masses of the hypermultiplets are encoded in $f_{a,\alpha} = \exp(R\beta_{a,\alpha})$, where α takes m_a values, and $v_a \equiv \sqrt{q^{r_a}/t}$. Note that $\sum_{a=1}^n m_a = |\mathcal{W}_S|$. For every pair of nodes a, b connected by an edge in the Dynkin diagram, we get a bifundamental hypermultiplet. Its contribution to the partition function is:

$$z_{H_{ab}, \vec{\mu}^a, \vec{\mu}^b}^{5d} = \prod_{1 \leq I \leq d_a} \prod_{1 \leq J \leq d_b} [N_{\mu_I^a \mu_J^b}(e_{a,I}/e_{b,J}; q^{r_{ab}})]^{\Delta_{ab}}. \quad (3.9)$$

where Δ is a matrix whose entries Δ_{ab} are equal to either 1 or 0, depending on whether the a 'th and the b 'th nodes are connected or not. There is an important subtlety arising for fractional quivers: the bifundamental matter can be coupled to gauge nodes corresponding to different length roots. For those multiplets, we have $r_{ab} = \text{gcd}(r_a, r_b)$, the greatest common divisor of r_a and r_b .

In a 5d theory we can turn on Chern-Simons term of k_a^{CS} units, and their contribution for this node reads

$$z_{CS, \vec{\mu}^a}^{5d} = \prod_{1 \leq I \leq d_a} (T_{\mu_I^a})^{k_a^{CS}} \quad (3.10)$$

Here, T_μ is defined as $T_\mu = (-1)^{|\mu|} q^{\|\mu\|^2/2} t^{-\|\mu^t\|^2/2}$. The 5d $\mathcal{N} = 1$ Chern-Simons terms can be determined by conformal invariance; with the rest of the partition function as written, k_a^{CS} on the a -th node is the difference of the ranks of the gauge group on that node, and the following node(s). The gauge couplings keep track of the total instanton charge, via the combination

$$\tau \cdot \mu = \sum_{a=1}^n \sum_{I=1}^{d_a} \tau_a |\mu_I^a|. \quad (3.11)$$

3.2 3d Gauge Theory Partition Function

In addition to D5 branes, D3 branes survive the limits that we are taking to obtain the little string theory. Again, we can wrap D3 branes on compact or non-compact two cycles on X . The ones on compact cycles are dynamical, whereas the branes on non-compact cycles are not. The quiver gauge theory living on the branes was again constructed by Douglas and Moore, and we will call it G^{3d} . It is a 3d theory with $\mathcal{N} = 4$ supersymmetry¹⁰. In the $\mathcal{N} = 2$ language, each vector multiplet has an adjoint chiral multiplet. There is also a cubic

¹⁰Similar to the D5 branes, the D3 branes too feel the stringy effects due to the presence of the transverse circle in \mathcal{C} and the tower of states resulting from it. Therefore, the theory is really three-dimensional at low energies.

superpotential. Let N_a be the number of D3 branes wrapping the a -th compact two cycle belonging to the second homology isomorphic to the coroot lattice of \mathfrak{g} . Then we have a quiver theory of \mathfrak{g} type with unitary gauge nodes, $U(N_a)$. We obtain bifundamental matter hypermultiplets by quantizing strings stretched between adjacent nodes in the associated Dynkin diagram, described by the previously defined matrix Δ_{ab} .

In addition to the D3 branes, we have D5 branes wrapping cycles in X . As previously mentioned, on the Higgs branch, the D5 branes wrap non-compact two cycles which are described by a collection of coweights \mathcal{W}_S . We need to quantize the strings stretched between D3 and D5 branes too which give rise to chiral and anti-chiral multiplets of $\mathcal{N} = 2$ supersymmetry at the intersection points of compact cycles wrapped by D3 branes and non-compact cycles with D5 branes. The presence of D5 branes break half of the supersymmetry and we end up with a 3d theory of $\mathcal{N} = 2$ supersymmetry.

From the D5 brane point of view, the D3 branes realize vortices. Their charge gives the magnetic flux in the remaining directions transverse to D3 branes. For an arbitrary collection of vortices to be BPS, the FI parameters which are the moduli of little strings need to be aligned at each node of the 5d quiver theory. This requirement is satisfied with our choice of parameters (see [2] for details). The chiral multiplets coming from D3-D5 strings get expectation values due to non-zero 3d FI parameters in the supersymmetric vacua.

We can subject the 3d theory to Ω -background as well to compute the partition function on the vortices using localization [43–46]. Note that we are probing the 5d theory on its Higgs branch; in other words, it is the theory living on the D5 branes wrapping non-compact two cycles. The equivariant action that we used to compute the 5d partition function can be used for the 3d one too. We choose the D3 brane to extend on the plane rotated by the parameter q , and to be transverse to the plane rotated by t . The partition function is again given as an index:

$$Z_{3d}(S^1 \times \mathbb{C}) = \text{tr}(-1)^F g, \quad (3.12)$$

where $g = q^{r_a(S_1 - S_R)} t^{-S_2 + S_R}$ consists of rotations $S_{1,2}$ acting on the different planes, and S_R are the R-symmetry rotations. We placed the D3 branes such that S_2 acts on the transverse plane to the branes, and is therefore an R-symmetry generator from the 3d theory perspective. The theory can have at most $U(1)_R$ symmetry, so $S_R - S_2$ is a global symmetry. Localization allows us to write the 3d partition function as a sum over Young diagram just as in the case of the 5d theory. This form will be crucial to see the connection between T^{5d} and G^{3d} . However, there also exists an integral representation of the 3d partition function. The two representation of the partition functions are ultimately related by picking up integration contours and computing the integral via residues. The partition function

can be computed as an integral of the Coulomb branch in 3d,

$$Z_{3d} = \int dx I_{3d}(x), \quad (3.13)$$

where the integrand $I_{3d}(x)$ can easily be read off from the quiver description of the theory. It is given by the product of individual contributions coming from vector multiplets and different types of matter multiplets coupled to the gauge groups on the nodes. Generically, it has the following form,

$$I_{3d}(x) = r_{3d} \prod_{a=1}^n z_{V_a}^{3d}(x_a) z_{H_a}^{3d}(x_a, f) \prod_{a<b} z_{H_{ab}}^{3d}(x_a, x_b). \quad (3.14)$$

r_{3d} is again a normalization factor whose precise form is not important for our purposes. The contributions of each type of multiplet is known, and we collect them here for completeness. The $\mathcal{N} = 4$ vector multiplet for a unitary gauge group $U(N_a)$ is given by

$$z_{V_a}^{3d}(x_a) = e^{\sum_{I=1}^{N_a} \tau_a x_{a,I}} \prod_{1 \leq I \neq J \leq N_a} \frac{(e^{x_{a,I} - x_{a,J}}; q^{r_a})_{\infty}}{(t e^{x_{a,I} - x_{a,J}}; q^{r_a})_{\infty}}, \quad (3.15)$$

where as before, $r_a \equiv r \langle \alpha_a, \alpha_a^{\vee} \rangle / 2$ for each node a , with r be the highest number of arrows linking two adjacent nodes in the Dynkin diagram of \mathfrak{g} (and $\langle \alpha_a, \alpha_a^{\vee} \rangle = 2$ for long roots, in our normalization). The numerator consist of contribution coming from the gauge bosons, and the denominator takes into account the adjoint chiral multiplets within the vector multiplet. The bifundamental hypermultiplets give a similar contribution to the 5d case,

$$z_{H_{ab}}^{3d}(x_a, x_b) = \prod_{1 \leq I \leq N_a} \prod_{1 \leq J \leq N_b} \left[\frac{(v_{ab} t e^{x_{a,I} - x_{b,J}}; q^{r_{ab}})_{\infty}}{(v_{ab} e^{x_{a,I} - x_{b,J}}; q^{r_{ab}})_{\infty}} \right]^{\Delta_{ab}}, \quad (3.16)$$

where again Δ describes how the nodes are connected to each other. r_{ab} is the greatest common divisor of r_a and r_b for neighboring nodes a and b . The factor v_{ab} is a modified refined factor for non simply-laced Lie algebras: $v_{ab} = \sqrt{q_{ab}/t}$ with $q_{ab} = q^{r_a}$ if both nodes a and b correspond to long roots; otherwise, $v_{ab} = v = \sqrt{q/t}$. Chiral multiplets in the fundamental representation of the a -th gauge group, with S_R R-charge $-r/2$ (not to be confused with the lacing number of \mathfrak{g}), contribute $\prod_{1 \leq I \leq N_a} (v_a^r f_{a,i} e^{-x_{a,I}}; q^{r_a})_{\infty}^{-1}$ to the partition function, while anti-chiral multiplets contribute $\prod_{1 \leq I \leq N_a} (v_a^r f_{a,i} e^{-x_{a,I}}; q^{r_a})_{\infty}$, with $f_{a,i}$ the associated flavor.

The integral runs over all the Coulomb branch moduli of the n gauge groups in the quiver. To perform this integral, one needs to select a vacuum and pick a contour. We will not attempt to give a precise contour prescription in this paper, but we will conjecture what they should be based on input from the 5d theory.

3.3 \mathfrak{g} -type Toda and its q -deformation

We now review a last important piece of physics that is needed to establish a triality, the Toda conformal field theory on the Riemann surface \mathcal{C} . The partition function of the gauge theory on D3 branes presented above is in fact equal to a certain canonical “ q -deformation” of the Toda CFT conformal block on \mathcal{C} . This CFT has a vertex algebra symmetry called $\mathcal{W}_{q,t}(\mathfrak{g})$ symmetry, and was first described in [3]. Let us remind the reader of the various objects that enter in Toda theory, for \mathfrak{g} a simple Lie algebra.

3.3.1 Free Field Toda CFT

Let \mathfrak{g} be a simple Lie algebra. \mathfrak{g} -type Toda field theory can be written in terms of $n = \text{rk}(\mathfrak{g})$ free bosons in two dimensions; there is a background charge contribution, and an exponential potential that couples the bosons to that charge:

$$S_{Toda} = \int dzd\bar{z} \sqrt{g} g^{z\bar{z}} [\langle \partial_z \varphi, \partial_{\bar{z}} \varphi \rangle + \langle \rho, \varphi \rangle QR + \sum_{a=1}^n e^{\langle \alpha_a^\vee, \varphi \rangle / b}]. \quad (3.17)$$

The bosonic field φ is a vector in the n -dimensional coweight space, whose modes obey a Heisenberg algebra. ρ is the Weyl vector of \mathfrak{g} , the bracket $\langle \cdot, \cdot \rangle$ is the Cartan-Killing form on the Cartan subalgebra of \mathfrak{g} , and $Q = b + 1/b$ is the background charge. As before, α_a^\vee label the simple positive coroots of \mathfrak{g} .

The Toda CFT has a $\mathcal{W}(\mathfrak{g})$ algebra symmetry (see [47] for a review). When $\mathfrak{g} = \mathfrak{su}(2)$, the CFT is called Liouville theory, with Virasoro symmetry. The $\mathcal{W}(\mathfrak{g})$ symmetry of Toda is generated by the spin 2 Virasoro stress energy tensor, and additional higher spin currents. The free field formalism of the Toda CFT was first introduced in [48]. It was then studied in our context in [49–53]. We label the primary vertex operators of the $\mathcal{W}(\mathfrak{g})$ algebra by an n -dimensional vector of momenta β , and given by:

$$V_\beta^\vee(z) = e^{\langle \beta, \varphi(z) \rangle}. \quad (3.18)$$

The conformal blocks of the Toda CFT in free field formalism take the following form:

$$\langle V_{\beta_1}^\vee(z_1) \dots V_{\beta_k}^\vee(z_k) \prod_{a=1}^n (Q_a^\vee)^{N_a} \rangle_{free}. \quad (3.19)$$

In the above, we have defined the screening charges

$$Q_a^\vee \equiv \oint dx S_a^\vee(x).$$

These n charges are integrals over the n screening current operators $S_a^\vee(x)$:

$$S_a^\vee(z) = e^{\langle \alpha_a^\vee, \phi(z) \rangle / b}. \quad (3.20)$$

The $\mathcal{W}(\mathfrak{g})$ algebra can then be defined as a complete set of currents that will commute with the screening charges. For a derivation of the conformal block expression (3.19), we refer the reader to [54].

Momentum conservation imposes the following constraint:

$$\sum_{i=1}^k \beta_i + \sum_{a=1}^n N_a \alpha_a^\vee / b = 2Q. \quad (3.21)$$

The last term comes from the background charge on a sphere, induced by the curvature term in (3.17). Thus, the above constraint tells us that one of the momenta, say β_∞ , corresponding to a vertex operator insertion at $z = \infty$, is fixed in terms of the momenta β_i of the other vertex operators, and the number of screening charges N_a .

The correlators of the theory can be computed by Wick contractions, and the conformal block (3.19) takes the form of an integral over the positions x of the N_a screening currents:

$$Z_{Toda} = \int dx I_{Toda}(x). \quad (3.22)$$

The integrand $I_{Toda}(x, z)$ is a product over various two-point functions:

$$I_{Toda}(x, z) = \prod_{a=1}^n I_a^{Toda}(x_a) \cdot I_{a,V}(x_a, z) \cdot \prod_{a < b} I_{ab}^{Toda}(x_a, x_b) \quad (3.23)$$

The two-point functions of screening currents with themselves at a given node of the Dynkin diagram of \mathfrak{g} give:

$$I_a^{Toda} = \prod_{1 \leq I \neq J \leq N_a} \langle S_a^\vee(x_{a,I}) S_a^\vee(x_{a,J}) \rangle_{free}. \quad (3.24)$$

These are the vector multiplet contributions at node a . The two-point functions of screening currents between two distinct nodes a and b is in turn given by:

$$I_{ab}^{Toda} = \prod_{1 \leq I \leq N_a} \prod_{1 \leq J \leq N_b} \langle S_a^\vee(x_{a,I}) S_b^\vee(x_{b,J}) \rangle_{free}. \quad (3.25)$$

These are the bifundamental hypermultiplet contributions. Finally, the two-point functions of screening currents at a given node with all the vertex operators.

$$I_{a,V}^{Toda} = \prod_{i=1}^k \prod_{1 \leq I \leq N_a} \langle S_a^\vee(x_{a,I}) V_{\beta_i}^\vee(z_i) \rangle_{free}, \quad (3.26)$$

will correspond to chiral matter contributions. The two-point functions are readily evaluated to be:

$$\langle S_a^\vee(x) S_b^\vee(x') \rangle_{free} = (x - x')^{b^2 \langle \alpha_a^\vee, \alpha_b^\vee \rangle} \quad (3.27)$$

$$\langle S_a^\vee(x) V_\beta^\vee(z) \rangle_{free} = (x-z)^{-\langle \alpha_a^\vee, \beta \rangle} \quad (3.28)$$

After q -deformation, the above conformal block has an interpretation as a 3d partition function.

3.3.2 q -deformed Toda CFT

In [3], a deformation of the $\mathcal{W}(\mathfrak{g})$ algebra was given by deforming the screening currents. Starting with the definition of the quantum number

$$[n]_q = \frac{q^n - q^{-n}}{q - q^{-1}}, \quad (3.29)$$

and the incidence matrix $I_{ab} = 2\delta_{ab} - C_{ab}$, one defines the (q, t) -deformed Cartan matrix, $C_{ab}(q, t) = (q^{r_a t^{-1}} + q^{-r_a t}) \delta_{ab} - [I_{ab}]_q$. The number r_a is defined as before: $r_a \equiv r \langle \alpha_a, \alpha_a^\vee \rangle / 2$, with r the lacing number of \mathfrak{g} .

If the Lie algebra \mathfrak{g} is non-simply laced, its Cartan matrix C_{ab} is not symmetric. Then, we first need to introduce the matrix $B_{ab}(q, t)$, which is the symmetrization of $C_{ab}(q, t)$. It is obtained as follows; the symmetrized Cartan matrix is then given by:

$$B_{ab} = r_a C_{ab}.$$

Its (q, t) -deformation is simply:

$$B_{ab}(q, t) = [r_a]_q C_{ab}(q, t).$$

We are now able to construct a q -deformed Heisenberg algebra, generated by n simple root generators α_a , and satisfying:

$$[\alpha_a[k], \alpha_b[m]] = \frac{1}{k} (q^{\frac{k}{2}} - q^{-\frac{k}{2}}) (t^{\frac{k}{2}} - t^{-\frac{k}{2}}) B_{ab}(q^{\frac{k}{2}}, t^{\frac{k}{2}}) \delta_{k, -m}. \quad (3.30)$$

The Fock space representation of the Heisenberg algebra is given by acting on a vacuum state $|\lambda\rangle$ with “simple root” generators:

$$\begin{aligned} \alpha_a[0]|\lambda\rangle &= \langle \lambda, \alpha_a \rangle |\lambda\rangle \\ \alpha_a[k]|\lambda\rangle &= 0, \quad \text{for } k > 0. \end{aligned} \quad (3.31)$$

From these generators, one can define the (magnetic) screening charge operators:

$$S_a^\vee(x) = x^{-\alpha_a[0]/r_a} : \exp\left(\sum_{k \neq 0} \frac{\alpha_a[k]}{q^{\frac{k r_a}{2}} - q^{-\frac{k r_a}{2}}} e^{kx}\right) : . \quad (3.32)$$

The $\mathcal{W}_{q,t}(\mathfrak{g})$ algebra is then defined as a set of the operators commuting with the screening charges ¹¹. Next, one introduces “fundamental weight” generators $w_a[m]$, through the

¹¹One can also define a set of “electric” screenings [3], in the parameter t instead of q , but they will not

commutation relation:

$$[\alpha_a[k], w_b[m]] = \frac{1}{k} (q^{\frac{k r_a}{2}} - q^{-\frac{k r_a}{2}}) (t^{\frac{k}{2}} - t^{-\frac{k}{2}}) \delta_{ab} \delta_{k,-m}, \quad (3.33)$$

such that

$$\alpha_a[k] = \sum_{b=1}^n C_{ab}(q^k, t^k) w_b[k]. \quad (3.34)$$

Correspondingly, we define (magnetic) degenerate vertex operators:

$$V_a^\vee(x) = x^{w_a[0]/r_a} : \exp\left(-\sum_{k \neq 0} \frac{w_a[k]}{q^{\frac{k r_a}{2}} - q^{-\frac{k r_a}{2}}} e^{kx}\right) :. \quad (3.35)$$

Using the notation $\langle \dots \rangle$ for a vacuum expectation value, and making use of the theta function definition $\theta_{q^{r_a}}(x) = (x; q^{r_a})_\infty (q^{r_a}/x; q^{r_a})_\infty$, we obtain the following two-point functions:

For a given node a ,

$$\langle S_a^\vee(x) S_a^\vee(x') \rangle_{free} = \frac{(e^{x-x'}; q^{r_a})_\infty}{(t e^{x-x'}; q^{r_a})_\infty} \frac{(e^{x'-x}; q^{r_a})_\infty}{(t e^{x'-x}; q^{r_a})_\infty} \frac{\theta_{q^{r_a}}(t e^{x-x'})}{\theta_{q^{r_a}}(e^{x-x'})}. \quad (3.36)$$

When a and b are distinct nodes connected by a link,

$$\langle S_a^\vee(x) S_b^\vee(x') \rangle_{free} = \frac{(t v_{ab} e^{x-x'}; q^{r_{ab}})_\infty}{(v_{ab} e^{x-x'}; q^{r_{ab}})_\infty}. \quad (3.37)$$

The two-point of a screening with a “fundamental” vector operator is given by:

$$\langle S_a^\vee(x) V_b^\vee(x') \rangle_{free} = \frac{(t v_a e^{x'-x}; q^{r_a})_\infty}{(v_a e^{x'-x}; q^{r_a})_\infty}. \quad (3.38)$$

In the above, we have $v_a \equiv \sqrt{q^{r_a}/t}$ and $v_{ab} \equiv \sqrt{q^{r_{ab}}/t}$. Recall that if either node a or node b denotes a short root, then $r_{ab} = 1$, while both nodes denote long roots, then $r_{ab} = r$.

The vertex operators that are relevant to us are not exactly the operators $V_a(x')$ introduced above in (3.35). Rather, each vertex operator, labeled as $V_{\omega_i}(x_i)$, is a normal ordered product of rescaled “fundamental coweight” operators,

$$W_a(x) =: \exp\left(\sum_{k \neq 0} \frac{w_a[k]}{(q^{\frac{k r_a}{2}} - q^{-\frac{k r_a}{2}}) (t^{\frac{k}{2}} - t^{-\frac{k}{2}})} e^{kx}\right) :, \quad (3.39)$$

and rescaled “simple coroot” operators,

$$E_a(x) =: \exp\left(\sum_{k \neq 0} \frac{\alpha_a[k]}{(q^{\frac{k r_a}{2}} - q^{-\frac{k r_a}{2}}) (t^{\frac{k}{2}} - t^{-\frac{k}{2}})} e^{kx}\right) :, \quad (3.40)$$

be needed here.

where we dropped the zero mode contributions in the above definitions, since we will not need them in what follows. The fundamental vertex operators $W_a^{\pm 1}(f v_a^r x)$ have two point functions with the screening currents $S_a^\vee(x')$ that are equal to the contributions of either chiral or anti-chiral multiplets of R-charge $-r/2$ as described in Section 3.2.

We now consider a set \mathcal{W}_S of coweights ω_i in the coweight space of \mathfrak{g} , taken in fundamental representations of ${}^L\mathfrak{g}$ and satisfying $\sum_{i=1}^{|\mathcal{W}_S|} \omega_i = 0$; to this set \mathcal{W}_S , we associate a primary vertex operator:

$$: \prod_{i=1}^{|\mathcal{W}_S|} V_{\omega_i}(x_i) : , \quad (3.41)$$

where each $V_{\omega_i}(x_i)$ is constructed out of the ‘‘fundamental weight’’ and ‘‘simple root’’ vertex operators. =

To fully specify the conformal block, we also need to make a choice of contour in (3.22). In particular, it is worth noting that for a given theory, the number of contours generically increases after q -deformation, when $\mathfrak{g} \neq A_n$. This is because the number of contours in the undeformed case is equal to the number of solutions to certain hypergeometric equations satisfied by the conformal blocks, while the number of contours in the q -deformed theory is instead the number of solutions to q -hypergeometric equations, which is generically bigger. Giving a prescription for the integration contours when $\mathfrak{g} \neq A_n$ is an open problem in matrix models, and we will not address this question here.

Recovering the undeformed theory is straightforward: we let $q = \exp(R\epsilon_1)$, $t = \exp(-R\epsilon_2)$, and take the R to zero limit. In this limit, q and t tend to 1. The individual $V_{\omega_i}(x_i)$ do not have a good conformal limit, but the products in (3.41) do:

$$: \prod_{i=1}^{|\mathcal{W}_S|} V_{\omega_i}(x_i) : \quad \rightarrow \quad V_\beta^\vee(z).$$

The momentum β carried by $V_\beta^\vee(z)$ is:

$$\beta = \sum_{i=1}^{|\mathcal{W}_S|} \beta_i \omega_i . \quad (3.42)$$

Then, we set the argument of the vertex operators to be:

$$e^{x_i} = z q^{-\beta_i} . \quad (3.43)$$

Then the two-point function

$$\langle S_a^\vee(x) : \prod_{i=1}^{|\mathcal{W}_S|} V_{\omega_i}(x_i) : \rangle_{free} \quad (3.44)$$

becomes the undeformed two-point (3.28) of the vertex operator with the a -th screening current: $(1 - e^x/z)^{-\langle \alpha_a^\vee, \beta \rangle}$, with β defined above. In this way, one is able to realize the insertion of any number of primary vertex operators, and have complete control over how the insertion scales in the undeformed limit. Any collection of primary vertex operators with either arbitrary or (partially) degenerate momenta can be analyzed in this way.

3.4 Proof of Triality

In this section, we will give the proof of triality. We will be brief since the proof in the non-simply laced case is a straightforward extension of the simply laced case which is studied extensively so far.

The proof can be divided into two parts. The first part consists of showing that the 5d theory partition function reduces to the 3d partition function of vortices once we tune the Coulomb branch parameters such that we probe the point on the moduli space where the Coulomb branch meets the Higgs branch. The second part is to show that the integral representation of the 3d partition function is nothing but the Coulomb gas representation of the conformal blocks in q -deformed Toda theory.

3.4.1 3d-5d Partition functions

For the first part of the proof, the integral representation of the 3d partition function is not very useful. Instead, we would like to explicitly perform the integrals. Once the appropriate contour is chosen, the contributing poles turn out to be labeled by Young diagrams. Therefore, the 3d partition function can also be expressed as a sum over Young diagrams:

$$Z_{3d} = \int dx I_{3d}(x) = \sum_{\{\mu\}} \text{res}_{\{\mu\}} I_{3d}(x). \quad (3.45)$$

The summand can be easiest computed after normalizing it by the residue of the pole at $\{\emptyset\}$:

$$\text{res}_{\{\mu\}} I_{3d}(x) / \text{res}_{\{\emptyset\}} I_{3d}(x) = I_{3d}(x_{\{\mu\}}) / I_{3d}(x_{\{\emptyset\}}), \quad (3.46)$$

where $x_{\{\mu\}}$ denote μ dependent substitution for the Coulomb branch parameters:

$$\{e^{x_\mu}\} = \{e_{a,I} q^{\mu_{I,i}^a} t^{\rho_i} v^{\#_a} q^{\#_a'}\}. \quad (3.47)$$

The equivalence of the partition functions of G^{3d} and T^{5d} is observed when we move to the special point on the moduli space of the 5d theory where its Coulomb branch meets its Higgs branch. To this end, we tune the Coulomb branch parameters to equate some of the

masses of the hypermultiplets:

$$e_{a,I} = f_i t^{N_{a,I}} v^{\#_{a,i,I}} q^{\#_{a,i,I}'} . \quad (3.48)$$

Here, $N_{a,I}$ are positive integers that can be interpreted as integer units of vortex flux, which we turn on. Effectively, then, one can get off the root of the Higgs branch, but only to probe the Coulomb branch of T^{5d} on an integer-valued lattice.

This identification results in the truncation of Young diagrams. Let us assume that one of the representations, say μ , labeling the generalized Nekrasov factor $N_{\mu\nu}(Q; q^{r_{\mu\nu}})$, has at most N rows. If we set $Q = q^{r_{\nu}} t^{-(M+1)}$, one can then show that the Nekrasov factor vanishes unless the length of ν is bounded by $N + M$, i.e. $\ell(\nu) \leq N + M$. Furthermore, we make use of the identity below, which following from the properties of the q -Pochhammer symbol:

$$N_{\mu\nu}(Q; q) = \prod_{a=0}^{r_{\mu\nu}-1} N_{\mu\nu}(q^a Q; q^{r_{\mu\nu}}) \quad (3.49)$$

We previously mentioned that the fixed points of the equivariant action used in computing 5d instantons are labeled by Young diagrams, and these Young diagrams are allowed to be of any size. At this point of the moduli space, it is not hard to show that the non-zero contributions to the partition function come from Young diagrams which have less than or equal to N_a rows, otherwise their contribution vanish. We can find a truncation pattern, and easily deduce that each Young diagram is limited in length by an integer. This truncation behavior can be checked directly by studying the generalized Nekrasov factors $N_{\mu\nu}(Q; q^{r_{\mu\nu}})$. Once we know that the Young diagrams μ and ν are truncated such that $\ell(\mu) \leq N_{\mu}$ and $\ell(\nu) \leq N_{\nu}$, one is able to show that the generalized Nekrasov factor can be rewritten as

$$\begin{aligned} N_{\mu\nu}(Q; q^{r_{\mu\nu}}) &= \prod_{i=1}^{N_{\mu}} \prod_{j=1}^{N_{\nu}} \frac{(Q q^{r_{\mu}\mu_i - r_{\nu}\nu_j} t^{j-i+1}; q^{r_{\mu\nu}})_{\infty} (Q t^{j-i}; q^{r_{\mu\nu}})_{\infty}}{(Q q^{r_{\mu}\mu_i - r_{\nu}\nu_j} t^{j-i}; q^r)_{\infty} (Q t^{j-i+1}; q^r)_{\infty}} \\ &\times N_{\mu\emptyset}(Q t^{N_{\nu}}; q^{r_{\mu\nu}}) N_{\emptyset\nu}(Q t^{-N_{\mu}}, q^{r_{\mu\nu}}). \end{aligned} \quad (3.50)$$

This identity is crucial in establishing the equivalence between the 3d and 5d partition functions. Now, for definiteness, suppose that T^{5d} is engineered from a given *polarized* set \mathcal{W}_S of coweights of \mathfrak{g} , in the sense of Section 2.4. We then look at the decomposition of the various multiplet contributions after imposing (3.48). The 5d vector multiplets become

$$\prod_{a=1}^n z_{V_{a,\mu^a}}^{5d} = \prod_{a=1}^n \frac{z_{V_a}^{3d}(x_{\mu^a})}{z_{V_a}^{3d}(x_{\emptyset})} \cdot V_{vect}, \quad (3.51)$$

where the first factor is nothing but the vector multiplet contribution for 3d theory. V_{vect} is all the remaining factors from 5d vector multiplet. Similarly, we can also reduce and isolate

factors from bifundamental multiplets that make up 3d bifundamental contribution and a leftover factor V_{bifund} :

$$\prod_{a<b} z_{H_{ab},\mu^a,\mu^b}^{5d} = \prod_{a<b} \left[\frac{z_{H_{ab}}^{3d}(x_{\mu^a}, x_{\mu^b})}{z_{H_{ab}}^{3d}(x_{\emptyset}, x_{\emptyset})} \right]^{\Delta_{ab}} \cdot V_{bifund}. \quad (3.52)$$

We write the following for the contributions of the fundamental hypermultiplets and Chern-Simons term:

$$\prod_{a=1}^n z_{H_a,\mu^a}^{5d} = V_{fund}, \quad (3.53)$$

$$\prod_{a=1}^n z_{CS,\mu^a}^{5d} = V_{CS}. \quad (3.54)$$

We now collect all the leftover factors from the above reduction. After many cancellations, one can show that these factors make up a 3d hypermultiplet contribution,

$$V_{vect} V_{bifund} V_{fund} V_{CS} = \prod_{a=1}^n \frac{z_{H_a}^{3d}(x_{\mu^a})}{z_{H_a}^{3d}(x_{\emptyset})}, \quad (3.55)$$

where $z_{H_a}^{3d}(x_{\mu^a})$ can be written compactly as:

$$z_{H_a}^{3d}(x_a, f_{a,i}) = \prod_{1 \leq I \leq N_a} \prod_{j=1}^{|\mathcal{W}_S|} \left[(v_a^{\#a,I} e^{x_I^{(a)}} / f_j; q^{r_a})_{\infty} \right]^{\omega_{j,a}} \quad (3.56)$$

Here, $\omega_{j,a}$ is the a 'th Dynkin label of the j 'th coweight in \mathcal{W}_S , with the coweights expanded in terms of fundamental coweights. For example, the $\mathfrak{g} = B_3$ coweight $\omega_1 = [-1, 1, 0]$ has $\omega_{1,1} = -1$, $\omega_{1,2} = 1$, $\omega_{1,3} = 0$, and is to be understood as minus the first fundamental coweight plus the second fundamental coweight of B_3 . The requirement that the sum of the coweights in \mathcal{W}_S add up to zero implies that the matter contribution (3.56) is in fact a ratio of q -Pochhammer's. From the point of view of G^{3d} , the various $v_a^{\#a,I}$ factors are fixed by R-charge conservation. In the end, the summand of the 5d gauge theory partition function becomes the summand of the 3d partition function, establishing the first half of triality.

3.4.2 q -deformed Toda Conformal Block and 3d Partition Function

The second part of the proof is more straightforward, as it simply consists in comparing the integrands on both sides. The q -deformed conformal block is then equal to the partition function of G^{3d} : the two-point functions of screenings in (3.36), (3.37), are the contributions of the $\mathcal{N} = 4$ vector and bifundamental multiplets in (3.15) and (3.16) to the D3 brane partition function, respectively. The number N_a of D3 branes on the a -th node maps to the number of screening charge insertions. The evaluation of the two-point of a screening and a

vertex operator (3.44) becomes the 3d hypermultiplet contribution (3.56).

3.5 Quantization of Weights and Unpolarized Defects

The above proof of triality was technically only written for the case of polarized defects of the little string theory. A natural question to ask, then, is whether triality still works for unpolarized defects. The answer is affirmative, and addressing this question in full generality turns out to have deep implications about what we could call a quantization of the (co)weights of \mathfrak{g} . Indeed, already in the case where \mathcal{W}_S characterizes a polarized defect, the matter content on node a of the 3d theory is given by (3.56):

$$z_{H_a}^{3d}(x_a, f_{a,i}) = \prod_{1 \leq I \leq N_a} \prod_{j=1}^{|\mathcal{W}_S|} \left[(v_a^{\#a,I} e^{x_I^{(a)}} / f_j; q^{r_a})_\infty \right]^{\omega_{j,a}}. \quad (3.57)$$

This formula can be taken as a definition of the quantization of a coweight ω_j , meaning the coweight appears in a “refined” fashion. Triality can then be understood as a procedure to quantize arbitrary (co)weights.

Going back to unpolarized (co)weights of the little string, they too will then get quantized in the triality picture, and the matter content of G^{3d} gives an explicit formula for them (though in that case, we do not have a closed-form general formula like (3.56)).

A direct consequence is that every weight in a fundamental representation of \mathfrak{g} now has multiplicity 1 after quantization. For example, the second fundamental representation of D_4 contains the null weight with multiplicity 4. But performing triality on the D_4 defect theory $\mathcal{W}_S = [0, 0, 0, 0]$, we find four distinct refinements of the null weight. This gives a direct prescription to compute the refinement of any (co)weight.

Though these remarks are motivated by the truncation of some 5d gauge theory partition function to 3d, the recent work of [6] shows that one can equivalently recover quantized weights from the computation of qq -characters of \mathfrak{g} (see also [3, 55]). In particular, the various terms of a given qq -character should agree with the 3d matter content one derives from the triality, for instance in the form (3.56), and it would be important to make that statement precise.

4 (2,0) CFT Limit and Nilpotent Orbits Classification

Because it has a scale m_s , the (2,0) little string theory on \mathcal{C} is not conformal. To recover the (2,0) 6d CFT theory on \mathcal{C} , we take this string scale m_s to infinity, while keeping all moduli of the (2,0) theory fixed in the process. Furthermore, if we denote by Δx the relative position of the $|\mathcal{W}_S|$ D5 branes on \mathcal{C} , we then take the product $\Delta x m_s$ to zero.

4.1 Description of the Defects

The quiver gauge theory description of the defects is only valid at finite m_s . Taking the (2,0) CFT limit $m_s \rightarrow \infty$ has drastic effects on the physics; most notably, the radius of the

5d circle $S^1(R) = 1/m_s^2 S^1(\hat{R})$ vanishes in the limit, so the theory becomes four-dimensional. We call the resulting theory $T_{m_s \rightarrow \infty}^{5d} \equiv T^{4d}$. The 4d inverse gauge couplings τ_a vanishes as well, because the combinations $\tau_a m_s^2$ turn out to be moduli of the (2, 0) CFT, which are fixed in the limit. In other words, there is no longer a Lagrangian describing the theory on the D5 branes ¹². Though an effective description as a quiver gauge theory is no longer available, a lot can be deduced about the resulting 4d theory in that limit, as we now explain.

Most notably, an essential feature is that when $m_s \rightarrow \infty$, the Coulomb branch of the defect theory T^{4d} becomes a nilpotent orbit of \mathfrak{g} . This was shown in the case $\mathfrak{g} = ADE$ in [34, 35], based on the analysis of the Seiberg-Witten curve of the theories. We conjecture *the same to be true for non simply-laced algebras*. In this paper, we will perform basic checks of this conjecture, such as dimension counting of the Coulomb branch, and matching of the Bala-Carter labeling of nilpotent orbits.

To arrive at nilpotent orbits, however, we must first remind the reader of the beautiful connection that exists between the coweights defining a little string defects and the so-called parabolic subalgebras of \mathfrak{g} .

We will need two facts from representation theory: First, a Borel subalgebra of a Lie algebra \mathfrak{g} is a maximal solvable subalgebra. We note that the Borel subalgebra can always be written as the direct sum $\mathfrak{b} = \mathfrak{h} \oplus \mathfrak{m}$; here, \mathfrak{h} is a Cartan subalgebra of \mathfrak{g} , and $\mathfrak{m} = \sum_{\alpha \in \Phi^+} \mathfrak{g}_\alpha$, with \mathfrak{g}_α the root spaces associated to a given set of positive roots Φ^+ . We fix the set Φ^+ , which in turn fixes the Borel subalgebra \mathfrak{b} , for a given Lie algebra \mathfrak{g} .

Second, a parabolic subalgebra \mathfrak{p}_Θ is defined as a subalgebra of \mathfrak{g} which contains the Borel subalgebra \mathfrak{b} . It also obeys a direct sum decomposition:

$$\mathfrak{p}_\Theta = \mathfrak{l}_\Theta \oplus \mathfrak{n}_\Theta. \quad (4.1)$$

In our notation, Θ is a subset of the set of positive simple roots of \mathfrak{g} . We introduced $\mathfrak{n}_\Theta = \sum_{\alpha \in \Phi^+ \setminus \langle \Theta \rangle^+} \mathfrak{g}_\alpha$ is the nilradical of \mathfrak{p}_Θ , while $\mathfrak{l}_\Theta = \mathfrak{h} \oplus \sum_{\alpha \in \langle \Theta \rangle} \mathfrak{g}_\alpha$ is called a Levi subalgebra; the subroot system $\langle \Theta \rangle$ is generated by the simple roots in Θ , while $\langle \Theta \rangle^+$ is built out of the positive roots of $\langle \Theta \rangle$. Then, it follows that $\mathfrak{n}_\Theta \cong \mathfrak{g}/\mathfrak{p}_\Theta$.

We can now explain how parabolic subalgebras of \mathfrak{g} arise from noncompact D5 branes: Consider a set of coweights defining a puncture,

$$\mathcal{W}_S = \{\omega_i\}.$$

As we explained in Section 2.3, each coweight ω_i represents a distinct D5 brane. A set of simple roots Θ , as defined in the previous paragraph, is constructed as the subset of all

¹²Note this is not the 4d limit described in [41]; there, one obtains a 4d quiver gauge theory, with the same quiver as for T^{5d} , by keeping the inverse gauge couplings τ_a finite. This does *not* describe the (2, 0) theory on \mathcal{C} , since the moduli $\tau_a m_s^2$ then become infinite.

simple roots of \mathfrak{g} that have a zero inner product with every coweight of \mathcal{W}_S .

Among the many possible sets of coweights, we look in particular for a set in the Weyl group orbit of \mathfrak{g} for which $|\Theta|$ is the biggest. We call such a set of coweights distinguished. In the rest of this paper, the sets of coweights \mathcal{W}_S we consider are all taken to be *distinguished*. If a given set is not distinguished, acting simultaneously on all its coweights with the Weyl group of \mathfrak{g} will always turn it into a distinguished set.

Example 4.1. Let us consider the following set of F_4 coweights, expanded in terms of fundamental coweights as:

$$\mathcal{W}_S = \{\omega_1 = [0, 0, 1, -1], \omega_2 = [0, 0, -1, 1]\}.$$

Both coweights have a zero inner product with α_1, α_2 , so $|\Theta| = 2$. A Weyl reflection about the simple root α_4 turns the set into:

$$\mathcal{W}'_S = \{\omega_1 = [0, 0, 0, 1], \omega_2 = [0, 0, 0, -1]\}$$

Note that this time, $|\Theta| = 3$, and that is the maximal size of Θ for this choice of defect. Therefore, we call the set \mathcal{W}'_S distinguished.

A nilradical \mathfrak{n}_Θ of \mathfrak{g} occurring in the direct sum decomposition (4.1) always specifies the Coulomb branch of some defect T^{4d} ¹³. Starting from the weight data of the defect, the nilradical is extracted as follows: it is the direct sum of the root spaces associated to a set of positive roots $\{e_\gamma\}$ in \mathfrak{g} , such that

$$\langle e_\gamma, \omega_i \rangle < 0 \tag{4.2}$$

for at least one coweight ω_i of \mathcal{W}_S . The bracket $\langle \cdot, \cdot \rangle$ is the Cartan-Killing form of \mathfrak{g} . In particular, the size of this set gives the complex dimension of the Coulomb branch of T^{4d} . It is important to note that the Coulomb branch is generically smaller than at finite m_s , for T^{5d} , where we had (2.12):

$$\sum_{\langle e_\gamma, \omega_i \rangle < 0} |\langle e_\gamma, \omega_i \rangle|.$$

Indeed, in the little string formula above, positive roots are counted with multiplicity, while this is not the case in the CFT limit. As a consequence, the Coulomb branch dimension of T^{4d} is at most the number of all positive roots of \mathfrak{g} . This decrease of the Coulomb branch is directly related to an effect we pointed out in Toda theory 3.3: there, the number of

¹³For a related discussion in the context of the codimension 2 defects of 4d $N = 4$ SYM, see [56]; there, defects are described as the sigma model $T^*(G/P)$, with P a parabolic subgroup of the Lie group G . Our discussion is related to that setup by compactifying the little string further on a torus. In particular, S-duality of 4d $N = 4$ SYM with surface defects follows from the T-duality of the little string on that torus [33, 35]

contours in the evaluation of conformal blocks was conjectured to be bigger in q -deformed Toda, as opposed to the undeformed case.

Though we do not have a direct proof of the above prescription for computing the Coulomb branch dimension of T^{4d} , we checked it explicitly for the defects of all exceptional algebras, and up to a high rank for the classical algebras.

Example 4.2. Let us illustrate the above statements for the F_4 defect

$$\mathcal{W}_S = \{\omega_1 = [0, 0, 0, 1], \omega_2 = [0, 0, 0, -1]\}$$

First, let us compute the Coulomb branch dimension of T^{5d} in the little string and of T^{4d} in the CFT limit. ω_1 has no negative inner product with any of the positive roots, so it does not contribute to the Coulomb branch counting.

ω_2 has an inner product equal to -2 with 7 of the positive roots, and an inner product equal to -1 with 8 of the positive roots. Summing up the absolute value of these inner products, we deduce that the complex Coulomb branch dimension of T^{5d} is 22. Writing down the quiver engineered by \mathcal{W}_S , the Coulomb content from the gauge nodes is indeed $4 + 8 + 6 + 4 = 22$. Furthermore, we can conclude that 15 of the positive roots have a negative inner product with at least one of the weights. Thus, the Coulomb branch of T^{4d} has complex dimension 15.

The set \mathcal{W}_S is distinguished, and ω_1 and ω_2 both clearly have a zero inner product with the three simple roots $\alpha_1, \alpha_2, \alpha_3$ (they have common zeros for their first three Dynkin labels). We conclude at once that $\Theta = \{\alpha_1, \alpha_2, \alpha_3\}$. Therefore, the parabolic subalgebra associated to this defect is $\mathfrak{p}_{\{\alpha_1, \alpha_2, \alpha_3\}}$.

The above discussion leads us straight to the consideration of nilpotent orbits. The fact that surface defects of 6d (2, 0) CFTs are described by these orbits has been studied in detail in [7]. A useful reference for the rest of this section is the book [57].

Having chosen a fixed faithful representation for \mathfrak{g} , we say that $X \in \mathfrak{g}$ is nilpotent if the matrix that represents X is nilpotent. Then, all the elements in the G -adjoint ¹⁴ orbit \mathcal{O}_X of X are nilpotent, and we call \mathcal{O}_X a nilpotent orbit. Consider a Levi subalgebra arising from the direct sum decomposition of the parabolic subalgebra $\mathfrak{p} = \mathfrak{l} \oplus \mathfrak{n}$, the nilpotent orbit $\mathcal{O}_{\mathfrak{l}}$ associated to \mathfrak{p} is the maximal orbit containing a representative $X \in \mathcal{O}_{\mathfrak{l}}$ for which $X \in \mathfrak{n}$.

The Coulomb branch of a physical defect theory T^{4d} is intimately related to the existence of a *duality map* which acts on the nilpotent orbits. The Spaltenstein map [58] is such a map; it reorganizes nilpotent orbits of \mathfrak{g} by sending an orbit \mathcal{O} of \mathfrak{g} to another orbit of \mathfrak{g} (which is sometimes the same as \mathcal{O}). The map is many-to-one for all algebras except

¹⁴Note it is the adjoint Lie *group* action that is used here, not the Lie algebra.

$\mathfrak{g} = A_n$ ¹⁵. Before explaining the relevance of the Spaltenstein map to little string physics, let us address the question of classification of nilpotent orbits.

4.2 Bala–Carter Labeling of Nilpotent Orbits

There exist different ways to label nilpotent orbits in the Mathematics literature; the characterization that turns out to arise naturally in the little string context [34] was developed by Bala and Carter, and is applicable to any semi-simple Lie algebra [59, 60]. We only need the result of their analysis, so we will be brief in describing their construction. It relies on the use of the Levi subalgebras of \mathfrak{g} .

The Bala–Carter prescription is to label a nilpotent orbit \mathcal{O} by the smallest Levi subalgebra $\mathfrak{l} \subset \mathfrak{g}$ that contains some representative of that orbit. When $\mathfrak{g} \neq A_n$, it can happen that this Levi subalgebra does not specify uniquely \mathcal{O} , so extra data is needed. The prescription is as follows: suppose a parabolic subalgebra \mathfrak{p} has the usual direct sum decomposition into Levi and nilradical parts, $\mathfrak{p} = \mathfrak{l}' \oplus \mathfrak{u}$. We say \mathfrak{p} is distinguished if $\dim \mathfrak{l}' = \dim(\mathfrak{u}/[\mathfrak{u}, \mathfrak{u}])$ (an example of such a \mathfrak{p} is the Borel subalgebra of \mathfrak{l} .) Then, one can show that a nilpotent orbit \mathcal{O} is uniquely determined by the Levi subalgebra \mathfrak{l} and by a distinguished parabolic subalgebra of $[\mathfrak{l}, \mathfrak{l}]$.

If \mathfrak{l} is sufficient to uniquely specify a nilpotent orbit \mathcal{O} , meaning \mathfrak{l} contains a unique distinguished parabolic subalgebra, then \mathcal{O} is said to have Bala–Carter label \mathfrak{l} . The orbit \mathcal{O} is called the *principal nilpotent orbit* of \mathfrak{l} . If the orbit \mathcal{O} is not uniquely determined by \mathfrak{l} , an additional label specifying a distinguished parabolic subalgebra of $[\mathfrak{l}, \mathfrak{l}]$ is needed (it is usually given as the number of simple roots in a Levi subalgebra of \mathfrak{p}).

It is remarkable that one can read off the Bala–Carter label of a nilpotent orbit just from the Dynkin labels of the coweights specifying a D5 brane defect in little string theory. To be precise, we find the following general result, for \mathcal{W}_S a distinguished set of coweights of \mathfrak{g} , and Θ its associated set of simple roots, as defined in the previous section:

- If \mathcal{W}_S denotes a polarized defect of the little string, then one can identify the set Θ with the Bala–Carter label of the defect. Specifically, the union of all elements of the set Θ is a subquiver of \mathfrak{g} , called the Bala–Carter label of this defect, written as \mathfrak{l}_Θ . The Coulomb branch of T^{4d} is then a resolution of the Spaltenstein dual of \mathcal{O} , where \mathcal{O} is the nilpotent orbit labeled by the Bala–Carter label \mathfrak{l}_Θ . The orbit \mathcal{O} is the principal nilpotent orbit of the Levi subalgebra \mathfrak{l}_Θ .
- If \mathcal{W}_S denotes an unpolarized defect of the little string and \mathfrak{g} is simply-laced, then one can identify the set Θ with *part of* the Bala–Carter label of the defect. To fully characterize the defect, one must also indicate which fundamental representation the

¹⁵Since the defects of the little string live in the weight lattice of ${}^L\mathfrak{g}$, one can also choose to work with a slightly different map, the Spaltenstein-Barbasch-Vogan map, which sends nilpotent orbits of \mathfrak{g} to orbits of ${}^L\mathfrak{g}$. Ultimately, there is no difference in the resulting physics, so we choose to work with the Spaltenstein map instead, denoting defects as living in the coweight lattice of \mathfrak{g} , as we have done in the rest of this paper.

coweights of \mathcal{W}_S belong in. This additional prescription is in one-to-one correspondence with specifying the extra data needed to denote the Bala–Carter label of a non-principal nilpotent orbit. Furthermore, the Coulomb branch of T^{4d} is *not* in general in the image of the Spaltenstein map.

When \mathfrak{g} is non simply-laced, it can happen that an *unpolarized* defect \mathcal{W}_S has no relation to the labeling of nilpotent orbits predicted by Bala and Carter (the nilpotent orbit is still realized physically as a Coulomb branch of some theory T^{4d} , but the Bala–Carter label for it is not readable from the simple roots set Θ of \mathcal{W}_S).

Example 4.3. Let us consider again our F_4 defect,

$$\mathcal{W}_S = \{\omega_1 = [0, 0, 0, 1], \omega_2 = [0, 0, 0, -1]\}.$$

One can easily check that the defect is polarized. Furthermore, we identified in the previous example that $\Theta = \{\alpha_1, \alpha_2, \alpha_3\}$. Therefore, the Bala–Carter label for the defect is B_3 , and the Coulomb branch of the defect in the CFT limit is the Spaltenstein dual of the nilpotent orbit B_3 , which is the orbit A_{2_s} . The orbit A_{2_s} has complex dimension 15, which confirms our previous computation of the dimension from a different method.

Some comments are in order: First, the above points imply that all nilpotent orbits are realized as the m_s to infinity limit of the Coulomb branch of some Dynkin-shaped quiver gauge theory, with unitary gauge groups. Second, the coweight data of the D5 branes defining those quivers almost always provides a physical realization of the Bala–Carter classification of nilpotent orbits, with a few exceptions: for some non simply-laced unpolarized defects, the *labeling* predicted by Mathematics is sometimes not the same as the prediction obtained from little string Physics. We will illustrate this feature in detail for $\mathfrak{g} = G_2$ in the Examples 5.2.

4.3 Some Comments on Classification

It turns out that the Bala–Carter label of a polarized defect can also be obtained as the union of some simple roots α_i in (undeformed) \mathfrak{g} -type Toda theory, as a null state condition at level 1 ¹⁶:

$$\langle \beta, \alpha_i \rangle = 0 \quad \forall \alpha_i \in \Theta, \quad (4.3)$$

with Θ a subset of simple roots of \mathfrak{g} , and $|\vec{\beta}\rangle$ a highest coweight state of the $\mathcal{W}(\mathfrak{g})$ -algebra. By the state-operator correspondence, the momentum β carried by the vertex operator $V_\beta^\vee(z)$ is simply $\beta = \sum_{i=1}^{|\mathcal{W}_S|} \beta_i \omega_i$, as we wrote previously in equation (3.42).

In the notation of Section 4.2, a subalgebra \mathfrak{p}_Θ can then be associated to β , with Θ characterizing the level 1 null state above. An induced nilpotent orbit can then be extracted from it, following the procedure described in the previous section.

¹⁶It was first pointed out in [61] that when $\mathfrak{g} = A_n$, surface defects of $\mathcal{N} = 4$ SYM are characterized in Toda theory by level 1 null states.

Finally, let us make contact with the so-called weighted Dynkin diagrams that appear in the literature as yet another way to classify nilpotent orbits.

Weighted Dynkin diagrams are vectors of integers $r_i \in \{0, 1, 2\}$, where $i = 1, \dots, n$; thus, we get one number for each node in the Dynkin diagram of \mathfrak{g} . We can associate such a vector to each nilpotent orbit of \mathfrak{g} , and each nilpotent orbit has a unique weighted Dynkin diagram. Note, however, that not all such labellings of the Dynkin diagram have a nilpotent orbit corresponding to it.

As pointed out in [34], all weighted Dynkin diagrams can strikingly be interpreted as physical quiver theories of the little string, with flavor symmetry $\prod_{i=1}^n U(r_i)$. This means that surprisingly, the labels on the nodes of a weighted Dynkin diagram can be understood as the rank of a flavor symmetry group in a quiver gauge theory. The quivers one reads off in this way turn out to all satisfy the constraint (2.7). For instance, the full puncture, or maximal nilpotent orbit, which is always denoted by the weighted Dynkin diagram $(2, 2, \dots, 2, 2)$, can be understood as a little string quiver gauge theory with a $U(2)$ flavor attached to each node, for all simple Lie algebras. The surprise here is that these quiver gauge theories turn out to be precisely¹⁷ the little string quivers T^{5d} (at finite m_s) that the 4d defects originate from.

Furthermore, this analogy gives another way to compute the dimension of a nilpotent orbit. We interpret the weighted Dynkin diagram of a nilpotent orbit \mathcal{O} as a coweight ω , written down in fundamental coweight basis. We then compute the sum of the inner products of all the positive roots of \mathfrak{g} with this coweight. This gives a vector of non-negative integers. Truncating the entries of this vector at 2 and taking the sum of the entries gives the (real) dimension of \mathcal{O} . The proof in the simply-laced case is given in [34], and generalizes straightforwardly to all simple Lie algebras.

Example 4.4. Let us look at the weighted Dynkin diagram $(0,0,0,2)$ in the algebra $\mathfrak{g} = F_4$. We therefore consider the coweight $\omega = [0, 0, 0, 2]$, which happens to be twice the fourth fundamental coweight of F_4 . Let $\Phi^{+\vee}$ be the set of the 24 positive roots of F_4 . Calculating the inner product of all of these positive roots with ω gives:

$$\langle \Phi^{+\vee}, \omega \rangle = (4, 4, 4, 4, 2, 4, 2, 4, 4, 0, 2, 2, 0, 2, 0, 2, 0, 0, 2, 0, 0, 2, 0).$$

Truncating at multiplicity 2, the sum of the inner products is $2 \times 7 + 2 \times 8 = 30$, which is the correct real dimension of the nilpotent orbit denoted by the diagram $(0, 0, 0, 2)$. It is quite amazing that at finite m_s , in the little string, the gauge theory whose Coulomb branch flows to this orbit in the CFT limit is precisely the quiver with mass content $(0, 0, 0, 2)$. This is just the quiver engineered in the previous examples, from the set:

$$\mathcal{W}_S = \{\omega_1 = [0, 0, 0, 1], \omega_2 = [0, 0, 0, -1]\}.$$

¹⁷or can be obtained after Hanany-Witten type moves

5 Examples

We will now illustrate the various results of the paper, for \mathfrak{g} a simple Lie algebra.

5.1 Sphere with 3 full punctures

We start by demonstrating the Triality of Section 3, for a Riemann surface being a sphere with three full punctures [62]; in this paper, we compactified the little string on a cylinder \mathcal{C} . This is equivalent to choosing \mathcal{C} to be the sphere with two full punctures that come for free. A given set of D5 branes at points on \mathcal{C} will characterize additional arbitrary punctures. In what follows, $n \equiv \text{rank}(\mathfrak{g})$.

In particular, in order to construct a single full puncture defect out of D5 branes, we pick a set $\mathcal{W}_{\mathcal{S}}$ of $n + 1$ coweight vectors adding up to 0, such that the Bala-Carter label for this set is \emptyset . Such a defect is always polarized, in the terminology of Section 2.4. Out of the many sets of coweights that a priori satisfy this condition, we will present a set $\mathcal{W}_{\mathcal{S}}$ such that the resulting Coulomb branch of the defect is the smallest one possible.

The 5d gauge theory T^{5d} on the D5 branes, the 3d gauge theory G^{3d} on the D3 branes, and the collection of vertex operators in q -deformed Toda, are related by triality. We will see explicitly that the partition function of T^{5d} truncates to a 3-point function in the q -deformed Toda theory, with 3 primary operator insertions of generic momenta.

For each ω_i , we pick a point on the Riemann surface \mathcal{C} , with coordinate $x_i = R\beta_i$. This x_i specifies the position of the D5 brane wrapping $\omega_i = [S_i^*]$ on \mathcal{C} , and the masses β_i of the various matter fields in the 5d and 3d gauge theories. In the Toda theory, these parameters specify the n momenta and the position of the puncture on \mathcal{C} . With only 3 punctures present, we are in fact free to set this position at $z = 1$. The n 5d gauge couplings τ_a become the 3d FI parameters, or equivalently the momentum of the puncture at $z = 0$ in the Toda picture ¹⁸.

With only three punctures, no physical quantity will depend on the coordinate z itself, so we can set it to 1. The vertex operator $:\prod V_{\omega_i}(x):$ is the q -deformation of the primary operator $V_{\beta_i}(z)$. The R-charges of the 3d chiral multiplets determine all $v_a = \sqrt{q^{r_a}/t}$ factors in the argument of the vertex operators. These multiplets are generated from strings stretching between a D3 brane and a D5 brane wrapping S_i^* .

In the undeformed Toda CFT, the three-point of \mathcal{W} -algebra primaries is labeled by three momenta $\beta_0, \beta, \beta_{\infty}$:

$$\langle V_{\beta_0}(0)V_{\beta}(1)V_{\beta_{\infty}}(\infty) \rangle . \tag{5.1}$$

¹⁸The n non-normalizable Coulomb moduli coming from the $U(1)$ centers in the gauge groups of T^{5d} become the ranks N_a of the 3d gauge groups of G^{3d} , which is also the number of screening charges in Toda theory; this specifies the momentum of the puncture located at $z = \infty$.

If $\beta_\infty = -\beta_0 - \beta - \sum_{a=1}^n N_a \alpha_a^\vee / b$ for positive integers N_a (which are the ranks of the gauge groups of) we can compute the three-point function (5.1) in free field formalism: we simply insert N_a screening charge operators $Q_a^\vee = \int dx S_a^\vee(x)$:

$$\langle V_{\beta_0}^\vee(0) V_\beta^\vee(1) V_{\beta_\infty}^\vee(\infty) \prod_{a=1}^n (Q_a^\vee)^{N_a} \rangle_{free}. \quad (5.2)$$

Once we replace the screening charges and the vertex operators by their q -deformed counterparts, we obtain the q -deformed 3-point conformal block of the $\mathcal{W}_{q,t}(\mathfrak{g})$ algebra, as described in Section 3.3.

When $\mathfrak{g} = A, D, E$, the sphere with three full punctures was analyzed in [2], so we will be brief in describing those cases; we focus instead on the defects of the little string when \mathfrak{g} is non simply-laced. For definiteness, we will use the following definitions of the Cartan matrices in the examples:

$$C_{ab}^{B_n} = \begin{pmatrix} 2 & -1 & 0 & 0 & \dots & 0 \\ -1 & 2 & -1 & 0 & \dots & 0 \\ \vdots & \vdots & \vdots & \vdots & \ddots & \vdots \\ 0 & \dots & -1 & 2 & -1 & 0 \\ 0 & \dots & 0 & -1 & 2 & -2 \\ 0 & \dots & 0 & 0 & -1 & 2 \end{pmatrix} \quad C_{ab}^{C_n} = \begin{pmatrix} 2 & -1 & 0 & 0 & \dots & 0 \\ -1 & 2 & -1 & 0 & \dots & 0 \\ \vdots & \vdots & \vdots & \vdots & \ddots & \vdots \\ 0 & \dots & -1 & 2 & -1 & 0 \\ 0 & \dots & 0 & -1 & 2 & -1 \\ 0 & \dots & 0 & 0 & -2 & 2 \end{pmatrix}$$

$$C_{ab}^{G_2} = \begin{pmatrix} 2 & -1 \\ -3 & 2 \end{pmatrix} \quad C_{ab}^{F_4} = \begin{pmatrix} 2 & -1 & 0 & 0 \\ -1 & 2 & -2 & 0 \\ 0 & -1 & 2 & -1 \\ 0 & 0 & -1 & 2 \end{pmatrix}$$

5.1.1 A_n Full Puncture

For the simply-laced case, note that one can use the words weights (respectively roots) and coweights (respectively coroots) interchangeably. For $\mathfrak{g} = A_n$, a full puncture is realized by the following set \mathcal{W}_S of $n+1$ coweights:

$$\begin{aligned} \omega_1 &= -w_1^\vee \\ \omega_2 &= -w_1^\vee + \alpha_1^\vee \\ &\vdots \\ \omega_n &= -w_1^\vee + \alpha_1^\vee + \dots + \alpha_{n-1}^\vee \\ \omega_{n+1} &= -w_1^\vee + \alpha_1^\vee + \dots + \alpha_{n-1}^\vee + \alpha_n^\vee \end{aligned} \quad (5.3)$$

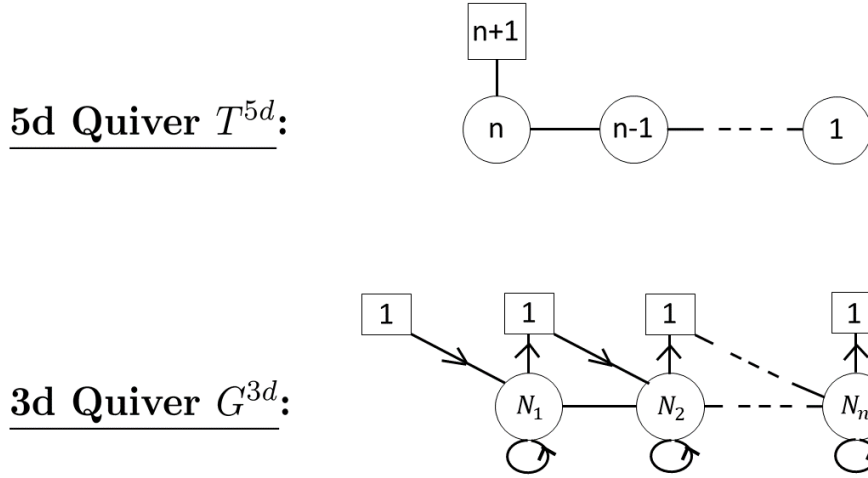


Figure 2: Sphere with 3 full A_n punctures: 5d theory T^{5d} and 3d theory G^{3d} resulting from \mathcal{W}_S .

w_a^\vee is the a -th fundamental coweight, and α_a^\vee is the a -th coroot. Note that the set \mathcal{W}_S spans the coweight lattice. Each one of the coweights ω_a represents a distinct D5 brane wrapping a non-compact 2-cycle and some compact 2-cycles. At low energies, one can directly read off the 5d $\mathcal{N} = 1$ A_n quiver gauge theory living on the branes: the coefficients of the α_a^\vee give the rank of the gauge group, while the number of hypermultiplets in the fundamental representation of the a -th node is given by the number of $-w_a$. The resulting 5d quiver gauge theory is shown in figure 2.

We add D3 branes wrapping compact two-cycles in the homology class. The strings that stretch between D3 branes realize a 3d $\mathcal{N} = 4$ A_n quiver gauge theory, with gauge content $\prod_{a=1}^n U(N_a)$. Supersymmetry is broken to $\mathcal{N} = 2$ due to the strings stretching between the D3 and D5 branes, resulting in chiral and anti-chiral multiplets in fundamental representation of the various gauge groups. The Dynkin labels of the coweights (5.3) written in fundamental coweight basis encode the precise matter content of the 3d theory:

$$\begin{aligned}
 \omega_1 &= [-1, 0, 0, \dots, 0, 0] \\
 \omega_2 &= [1, -1, 0, \dots, 0, 0] \\
 &\vdots \\
 \omega_n &= [0, 0, 0, \dots, 1, -1] \\
 \omega_{n+1} &= [0, 0, 0, \dots, 0, 1]
 \end{aligned} \tag{5.4}$$

We obtain a 3d $\mathcal{N} = 2$ quiver gauge theory G^{5d} shown in figure 2. Note in passing that the set \mathcal{W}_S has no common zeros in the above notation. Acting on this set with the Weyl group will not change that, so the set is distinguished and the defect is indeed a full puncture.

The q -deformed vertex operator that realizes the full puncture is the product : $\prod_{i=1}^{n+1} V_{\omega_i}(x_i)$:, where

$$\begin{aligned}
V_{\omega_1}(x) &= W_1^{-1}(x), \\
V_{\omega_2}(x) &=: W_1^{-1}(x)E_1(xv^{-1}) : \\
&\vdots \\
V_{\omega_n}(x) &=: W_1^{-1}(x)E_1(xv^{-1})E_2(xv^{-2}) \dots E_{n-1}(xv^{1-n}) : \\
V_{\omega_{n+1}}(x) &=: W_1^{-1}(x)E_1(xv^{-1})E_2(xv^{-2}) \dots E_{n-1}(xv^{1-n})E_n(xv^{-n}) :
\end{aligned} \tag{5.5}$$

The above ‘‘fundamental coweight’’ and ‘‘simple coroot’’ vertex operators were defined in section 3.3; the expression is a refinement of the relation (5.3). The dependence on the v factors above encodes the value of the Coulomb moduli at the triality point. Namely, let $v^{\#_{a,i}}$ be the various v factors appearing in (5.5). Then, the Coulomb moduli of the 5d gauge theory that truncate the partition function to the A_n q -deformed conformal block are given by

$$e_{a,i} = f_i t^{N_{a,i}} v^{\#_{a,i}} v^{-a}, \quad a = 1, \dots, n.$$

The Coulomb branch of the 5d theory has complex dimension $\sum_{a=1}^n d_a = n(n+1)/2$, with d_a the ranks of the n gauge groups. This can also be obtained from (2.12):

$$\sum_{\langle e_\gamma, \omega_i \rangle < 0} |\langle e_\gamma, \omega_i \rangle| = \frac{n(n+1)}{2}$$

In the above sum, one counts all positive roots that have a negative inner product with at least one of the coweights, with multiplicity. Here, all positive roots of A_n satisfy this condition, with multiplicity 1, so the right-hand side is simply the number of positive roots of A_n . This is also the number of supersymmetric vacua (or equivalently, integration contours) of the 3d theory, and the number of parameters needed to specify the 3-point of the q -deformed $\mathcal{W}_{q,t}(A_n)$ algebra.

In the CFT limit, when $m_s \rightarrow \infty$, the counting is done without multiplicity, but since each positive roots is counted once in the little string, the Coulomb branch dimension does not change. The Coulomb branch of the resulting theory T^{4d} is the maximal nilpotent orbit of A_n , with Bala-Carter label A_n . This orbit is in the image by the Spaltenstein map of the orbit denoted by \emptyset . This pre-image Bala-Carter label \emptyset is identified at once since the set \mathcal{W}_S has no common zeros in the Dynkin labels of the different coweights, as we pointed out.

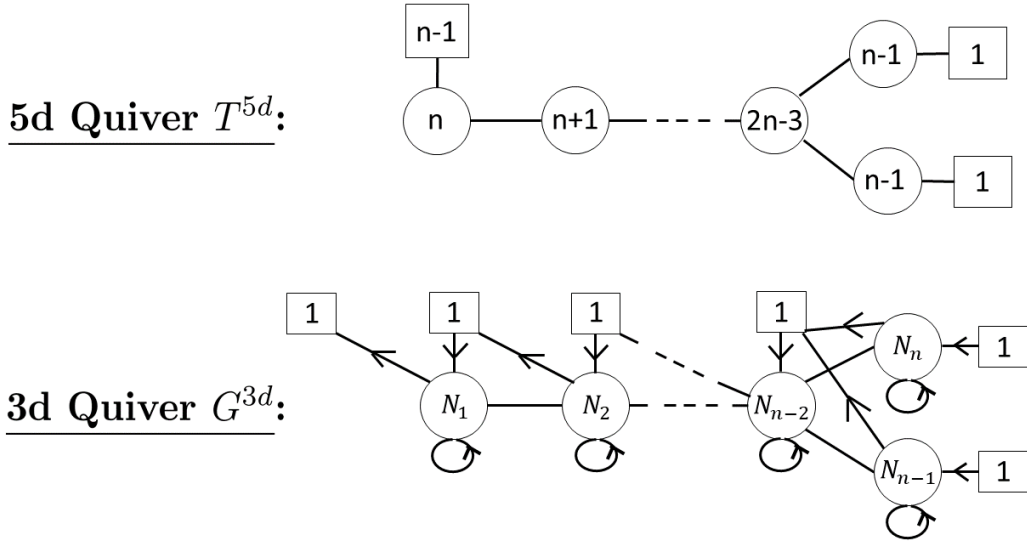


Figure 3: Sphere with 3 full D_n punctures: 5d theory T^{5d} and 3d theory G^{3d} resulting from \mathcal{W}_S .

5.1.2 D_n Full Puncture

We will be more brief for the rest of the simply-laced cases. For \mathcal{W}_S , we take the following collection of $n + 1$ weights of D_n :

$$\begin{aligned}
 \omega_1 &= -w_1^\vee + \alpha_1^\vee + \alpha_2^\vee + \dots + \alpha_{n-2}^\vee + \alpha_{n-1}^\vee + \alpha_n^\vee \\
 \omega_i &= \omega_{i-1} + \alpha_{n-i}^\vee, \quad i = 2, \dots, n-1 \\
 \omega_n &= -w_{n-1}^\vee \\
 \omega_{n+1} &= -w_n^\vee
 \end{aligned} \tag{5.6}$$

Writing each coweight above in terms of fundamental coweights, it is clear that \mathcal{W}_S has no common zeros, and acting on \mathcal{W}_S with the Weyl group will not change that, so the set is distinguished and this is indeed a full puncture.

The complex dimension of the Coulomb branch of T^{5d} (or the number of vacua of G^{3d}) is

$$\sum_{a=1}^n d_a = \frac{(n-1)(3n-2)}{2} = \sum_{\langle e_\gamma, \omega_i \rangle < 0} |\langle e_\gamma, \omega_i \rangle|.$$

In the above sum, one counts all positive roots that have a negative inner product with at least one of the coweights. Here, some of the positive roots of D_n satisfy this condition with multiplicity 1, while others satisfy it with multiplicity 2, so the answer is necessarily bigger than the number of positive roots of D_n . This is also the number of supersymmetric

vacua (or equivalently, integration contours) of the 3d theory, and the number of parameters needed to specify the 3-point of the q -deformed $\mathcal{W}_{q,t}(D_n)$ algebra.

In the CFT limit, when $m_s \rightarrow \infty$, the counting is done without counting the multiplicity 2 of some of the positive roots; the Coulomb branch dimension of the D5 brane theory therefore decreases and becomes equal to the number of positive roots of D_n , which is $n^2 - n$. The Coulomb branch of the resulting theory T^{4d} is therefore the maximal nilpotent orbit of D_n . The 5d and 3d theories are shown in figure 3.

5.1.3 E_n Full Puncture

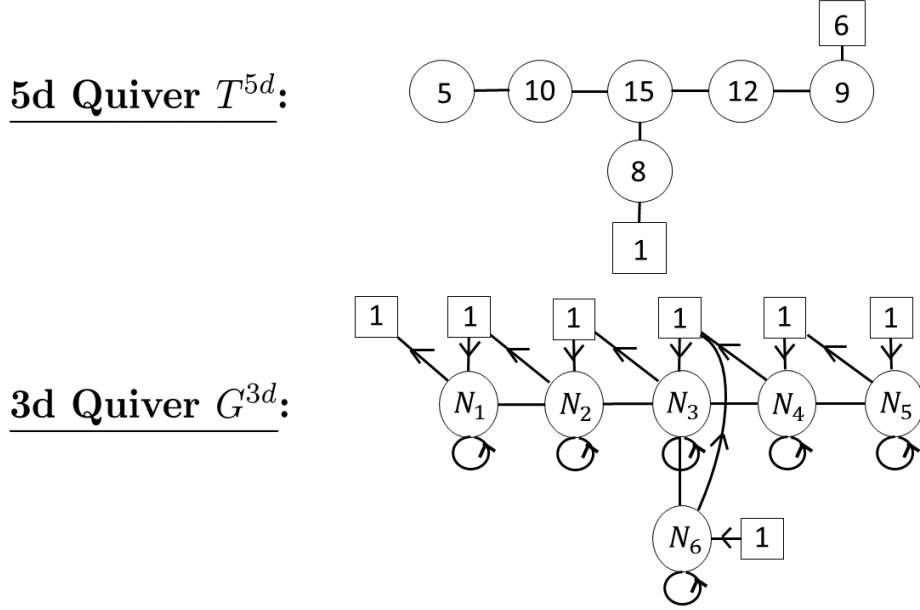


Figure 4: Sphere with 3 full E_6 punctures: 5d theory T^{5d} and 3d theory G^{3d} resulting from \mathcal{W}_S .

In the case of E_6 , we take the set \mathcal{W}_S to be the following collection of 7 coweights:

$$\begin{aligned}
\omega_1 &= -w_5^\vee \\
\omega_2 &= -w_5^\vee + \alpha_5^\vee \\
\omega_3 &= -w_5^\vee + \alpha_1^\vee + 2\alpha_2^\vee + 3\alpha_3^\vee + 3\alpha_4^\vee + 2\alpha_5^\vee + 2\alpha_6^\vee \\
\omega_4 &= -w_5^\vee + \alpha_1^\vee + 2\alpha_2^\vee + 4\alpha_3^\vee + 3\alpha_4^\vee + 2\alpha_5^\vee + 2\alpha_6^\vee \\
\omega_5 &= -w_5^\vee + \alpha_1^\vee + 3\alpha_2^\vee + 4\alpha_3^\vee + 3\alpha_4^\vee + 2\alpha_5^\vee + 2\alpha_6^\vee \\
\omega_6 &= -w_5^\vee + 2\alpha_1^\vee + 3\alpha_2^\vee + 4\alpha_3^\vee + 3\alpha_4^\vee + 2\alpha_5^\vee + 2\alpha_6^\vee \\
\omega_7 &= -w_6^\vee
\end{aligned} \tag{5.7}$$

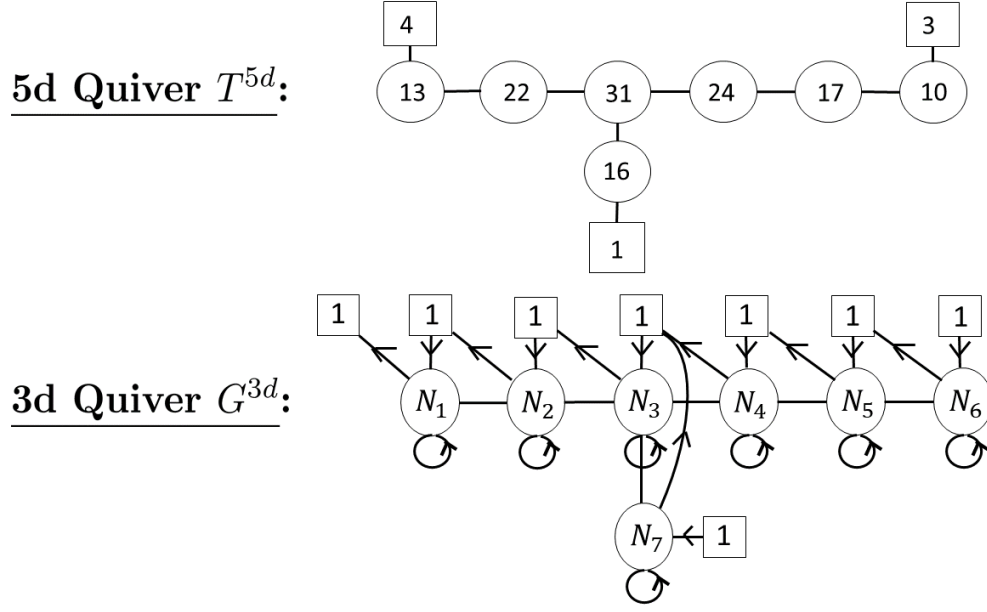


Figure 5: Sphere with 3 full E_7 punctures: 5d theory T^{5d} and 3d theory G^{3d} resulting from \mathcal{W}_S .

In the case of E_7 , we take the set \mathcal{W}_S to be the following collection of 8 coweights:

$$\begin{aligned}
\omega_1 &= -w_1^\vee + 3\alpha_1^\vee + 5\alpha_2^\vee + 7\alpha_3^\vee + 6\alpha_4^\vee + 4\alpha_5^\vee + 2\alpha_6^\vee + 4\alpha_7^\vee \\
\omega_2 &= -w_1^\vee + 3\alpha_1^\vee + 5\alpha_2^\vee + 8\alpha_3^\vee + 6\alpha_4^\vee + 4\alpha_5^\vee + 2\alpha_6^\vee + 4\alpha_7^\vee \\
\omega_3 &= -w_1^\vee + 3\alpha_1^\vee + 6\alpha_2^\vee + 8\alpha_3^\vee + 6\alpha_4^\vee + 4\alpha_5^\vee + 2\alpha_6^\vee + 4\alpha_7^\vee \\
\omega_4 &= -w_1^\vee + 4\alpha_1^\vee + 6\alpha_2^\vee + 8\alpha_3^\vee + 6\alpha_4^\vee + 4\alpha_5^\vee + 2\alpha_6^\vee + 4\alpha_7^\vee \\
\omega_5 &= -w_6^\vee \\
\omega_6 &= -w_6^\vee + \alpha_6^\vee \\
\omega_7 &= -w_6^\vee + \alpha_5^\vee + \alpha_6^\vee \\
\omega_8 &= -w_7^\vee
\end{aligned} \tag{5.8}$$

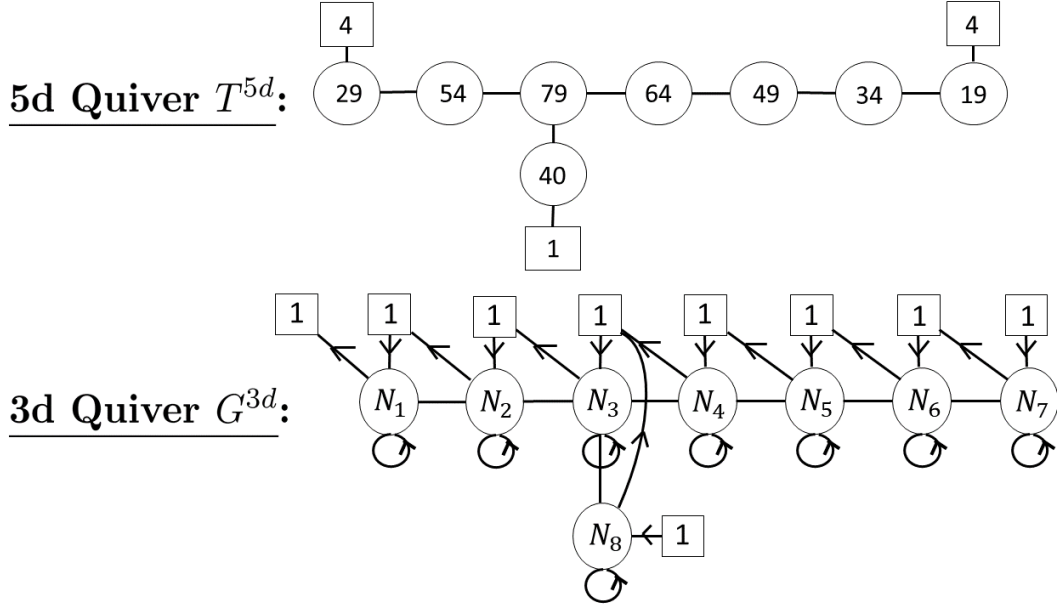


Figure 6: Sphere with 3 full E_8 punctures: 5d theory T^{5d} and 3d theory G^{3d} resulting from \mathcal{W}_S .

In the case of E_8 , we take the set \mathcal{W}_S to be the following collection of 9 coweights:

$$\begin{aligned}
\omega_1 &= -w_1^\vee + 7\alpha_1^\vee + 13\alpha_2^\vee + 19\alpha_3^\vee + 16\alpha_4^\vee + 12\alpha_5^\vee + 8\alpha_6^\vee + 4\alpha_7^\vee + 10\alpha_8^\vee \\
\omega_2 &= -w_1^\vee + 7\alpha_1^\vee + 13\alpha_2^\vee + 20\alpha_3^\vee + 16\alpha_4^\vee + 12\alpha_5^\vee + 8\alpha_6^\vee + 4\alpha_7^\vee + 10\alpha_8^\vee \\
\omega_3 &= -w_1^\vee + 7\alpha_1^\vee + 14\alpha_2^\vee + 20\alpha_3^\vee + 16\alpha_4^\vee + 12\alpha_5^\vee + 8\alpha_6^\vee + 4\alpha_7^\vee + 10\alpha_8^\vee \\
\omega_4 &= -w_1^\vee + 8\alpha_1^\vee + 14\alpha_2^\vee + 20\alpha_3^\vee + 16\alpha_4^\vee + 12\alpha_5^\vee + 8\alpha_6^\vee + 4\alpha_7^\vee + 10\alpha_8^\vee \\
\omega_5 &= -w_7^\vee \\
\omega_6 &= -w_7^\vee + \alpha_7^\vee \\
\omega_7 &= -w_7^\vee + \alpha_6^\vee + \alpha_7^\vee \\
\omega_8 &= -w_7^\vee + \alpha_5^\vee + \alpha_6^\vee + \alpha_7^\vee \\
\omega_9 &= -w_8^\vee
\end{aligned} \tag{5.9}$$

Once again, one can check that these sets are distinguished and have no common zeros in their Dynkin labels, so these are indeed full punctures of E_n .

The complex dimension of the Coulomb branch of T^{5d} is

$$\sum_{a=1}^n d_a = \sum_{\langle e_\gamma, \omega_i \rangle < 0} |\langle e_\gamma, \omega_i \rangle|.$$

For E_6 , we find (using either sum) that the Coulomb branch dimension is 59. For E_7 , we find that the Coulomb branch dimension is 63. For E_8 , we find that the Coulomb branch

dimension is 368.

In the CFT limit, when $m_s \rightarrow \infty$, the counting is done without counting the multiplicity in the sum on the right-hand side; the Coulomb branch dimension therefore decreases and becomes equal to the number of positive roots of E_n ; for E_6 , this is 36. For E_7 , this is 63. For E_8 , this is 120. The Coulomb branch of the resulting theory T^{4d} is the maximal nilpotent orbit of E_n . The 5d and 3d theories are shown in figures 4, 5, and 6.

5.1.4 G_2 Full Puncture

For G_2 , we take the set \mathcal{W}_S to be the following collection of 3 coweights:

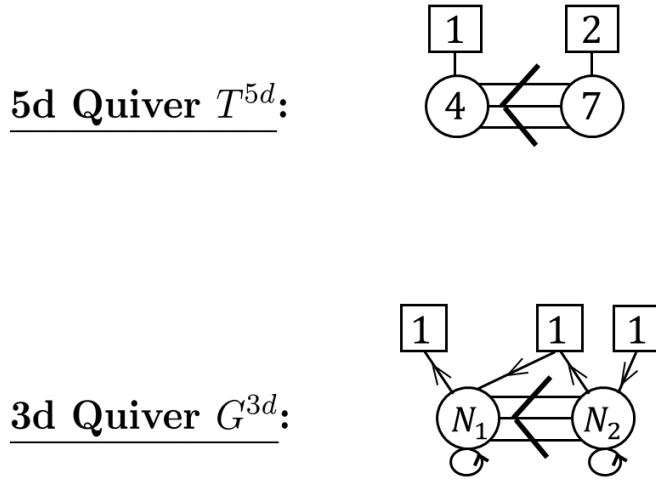


Figure 7: Sphere with 3 full G_2 punctures: 5d theory T^{5d} and 3d theory G^{3d} resulting from \mathcal{W}_S .

$$\begin{aligned}
 \omega_1 &= -w_1^\vee + 4\alpha_1^\vee + 6\alpha_2^\vee \\
 \omega_2 &= -w_2^\vee + \alpha_2^\vee \\
 \omega_3 &= -w_2^\vee
 \end{aligned}
 \tag{5.10}$$

The Dynkin labels of the coweights (5.10) expanded in terms of fundamental coweights encode the precise matter content of the 3d theory:

$$\begin{aligned}
 \omega_1 &= [1, 0] \\
 \omega_2 &= [-1, 1] \\
 \omega_3 &= [0, -1]
 \end{aligned}
 \tag{5.11}$$

We obtain the 3d $\mathcal{N} = 2$ quiver gauge theory G^{3d} shown in figure 7. The q -deformed vertex operator that realizes the full puncture is the product $: \prod_{i=1}^3 V_{\omega_i}(x_i) :$, where

$$\begin{aligned} V_{\omega_1}(x) &= : W_1^{-1}(x) E_1(xv^{-1}) E_2(xv^{-2}q^{-1/2}) E_2(xv^{-2}q^{-3/2}) E_2(xv^{-2}q^{-5/2}) E_1(xv^{-3}q^{-1}) \\ &\quad E_1(xv^{-3}q^{-2}) E_2(xv^{-4}q^{-3/2}) E_2(xv^{-4}q^{-5/2}) E_2(xv^{-4}q^{-7/2}) E_1(xv^{-5}q^{-3}) : \\ V_{\omega_2}(x) &= : W_2^{-1}(x) E_2(xq^{-1/2}) : \\ V_{\omega_3}(x) &= : W_2^{-1}(x) : \end{aligned} \tag{5.12}$$

The above ‘‘fundamental coweight’’ and ‘‘simple coroot’’ vertex operators were defined in section 3.3; the expression is a refinement of the relation (5.10). The dependence on the v and q factors encodes the value of the Coulomb moduli at the triality point. Namely, let $v^{\#_{a,I}} q^{\#'_{a,I}}$ be the various v and q factors appearing in the E_a operators of (5.12). Then, the Coulomb moduli of the 5d gauge theory that truncate the partition function to the G_2 q -deformed conformal block are given by:

$$e_{a,I} = f_I t^{N_{a,I}} v^{\#_{a,I}} q^{\#'_{a,I}} v^{2-a} q^{(a-1)/2}, \quad a = 1, 2.$$

Recall that in our notation, $a = 1$ is gauge node designating the short root, while $a = 2$ designates the long root.

The Coulomb branch of the 5d theory has complex dimension:

$$\sum_{a=1}^2 d_a = 11 = \sum_{\langle e_\gamma, \omega_i \rangle < 0} |\langle e_\gamma, \omega_i \rangle|,$$

with d_a the ranks of the 2 gauge groups. In the right-hand sum, one counts all positive roots that have a negative inner product with at least one of the coweights. This is also the number of supersymmetric vacua (or equivalently, integration contours) of the 3d theory, and the number of parameters needed to specify the 3-point of the q -deformed $\mathcal{W}_{q,t}(G_2)$ algebra.

In the CFT limit, when $m_s \rightarrow \infty$, the counting is done without multiplicity. The Coulomb branch dimension therefore decreases and becomes equal to the number of positive roots of G_2 , which is 6. The Coulomb branch of the resulting theory T^{4d} is the maximal nilpotent orbit of G_2 , with Bala-Carter label G_2 . Because the defect is polarized, its Coulomb branch must be in the image of the Spaltenstein map. In our case, the full puncture Coulomb branch is the image of the orbit denoted by \emptyset . This pre-image Bala-Carter label \emptyset is identified at once by acting on \mathcal{W}_S with the Weyl group and noticing the set never has any common zeros in the Dynkin labels of the different coweights.

5.1.5 F_4 Full Puncture

For F_4 , we take the set \mathcal{W}_S to be the following collection of 5 coweights:

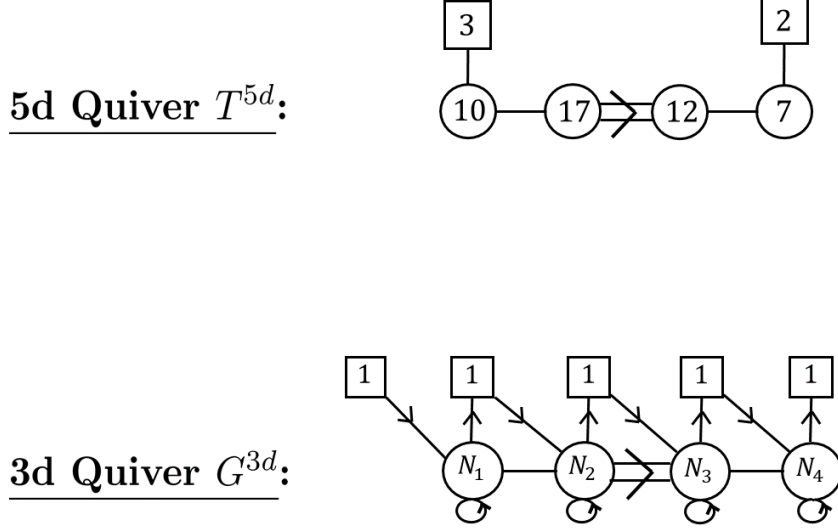


Figure 8: Sphere with 3 full F_4 punctures: 5d theory T^{5d} and 3d theory G^{3d} resulting from \mathcal{W}_S .

$$\begin{aligned}
 \omega_1 &= -w_4^\vee + 4\alpha_1^\vee + 8\alpha_2^\vee + 6\alpha_3^\vee + 4\alpha_4^\vee \\
 \omega_2 &= -w_4^\vee + 4\alpha_1^\vee + 8\alpha_2^\vee + 6\alpha_3^\vee + 3\alpha_4^\vee \\
 \omega_3 &= -w_1^\vee + \alpha_1^\vee + \alpha_2^\vee \\
 \omega_4 &= -w_1^\vee + \alpha_1^\vee \\
 \omega_5 &= -w_1^\vee
 \end{aligned} \tag{5.13}$$

The Dynkin labels of the coweights (5.13) expanded in terms of fundamental coweights encode the precise matter content of the 3d theory:

$$\begin{aligned}
 \omega_1 &= [0, 0, 0, 1] \\
 \omega_2 &= [0, 0, 1, -1] \\
 \omega_3 &= [0, 1, -1, 0] \\
 \omega_4 &= [1, -1, 0, 0] \\
 \omega_5 &= [-1, 0, 0, 0]
 \end{aligned} \tag{5.14}$$

We obtain the quiver gauge theory G^{3d} shown in figure 8.

The q -deformed vertex operator that realizes the full puncture is the product : $\prod_{i=1}^5 V_{\omega_i}(x_i)$:,

where

$$\begin{aligned}
V_{\omega_1}(x) &= : W_4^{-1}(x) E_4(xv^{-1}) E_3(xv^{-2}) E_2(xv^{-3}q^{-1/2}) E_2(xv^{-3}q^{-3/2}) E_1(xv^{-4}q^{-1}) \\
&\quad E_3(xv^{-4}q^{-1}) E_1(xv^{-4}q^{-2}) E_4(xv^{-5}q^{-1}) E_2(xv^{-5}q^{-3/2}) E_2(xv^{-5}q^{-5/2}) E_3(xv^{-6}q^{-1}) \\
&\quad E_3(xv^{-6}q^{-2}) E_2(xv^{-7}q^{-3/2}) E_4(xv^{-7}q^{-2}) E_2(xv^{-7}q^{-5/2}) E_1(xv^{-8}q^{-2}) E_1(xv^{-8}q^{-3}) \\
&\quad E_3(xv^{-8}q^{-3}) E_2(xv^{-9}q^{-5/2}) E_2(xv^{-9}q^{-7/2}) E_3(xv^{-10}q^{-3}) E_4(xv^{-11}q^{-3}) : \\
V_{\omega_2}(x) &= : W_4^{-1}(x) E_4(xv^{-1}) E_3(xv^{-2}) E_2(xv^{-3}q^{-1/2}) E_2(xv^{-3}q^{-3/2}) E_1(xv^{-4}q^{-1}) \\
&\quad E_3(xv^{-4}q^{-1}) E_1(xv^{-4}q^{-2}) E_4(xv^{-5}q^{-1}) E_2(xv^{-5}q^{-3/2}) E_2(xv^{-5}q^{-5/2}) E_3(xv^{-6}q^{-1}) \\
&\quad E_3(xv^{-6}q^{-2}) E_2(xv^{-7}q^{-3/2}) E_4(xv^{-7}q^{-2}) E_2(xv^{-7}q^{-5/2}) E_1(xv^{-8}q^{-2}) E_1(xv^{-8}q^{-3}) \\
&\quad E_3(xv^{-8}q^{-3}) E_2(xv^{-9}q^{-5/2}) E_2(xv^{-9}q^{-7/2}) E_3(xv^{-10}q^{-3}) : \\
V_{\omega_3}(x) &= : W_1^{-1}(x) E_1(xv^{-4}q^{-1}) E_2(xv^{-5}q^{-3/2}) : \\
V_{\omega_4}(x) &= : W_1^{-1}(x) E_1(xv^{-4}q^{-1}) : \\
V_{\omega_5}(x) &= : W_1^{-1}(x) :
\end{aligned} \tag{5.15}$$

The above expression is a refinement of the relation (5.13). The dependence on the v and q factors encodes the value of the Coulomb moduli at the triality point. Namely, let $v^{\#_{a,I}} q^{\#'_{a,I}}$ be the various v and q factors appearing in the E_a operators of (5.15). Then, the Coulomb moduli of the 5d gauge theory that truncate the partition function to the F_4 q -deformed conformal block are given by:

$$\begin{aligned}
e_{a,I} &= f_I t^{N_{a,I}} v^{\#_{a,I}} q^{\#'_{a,I}} v^{5-a} q^{(3-a)/2}, & a = 1, 2 \\
e_{a,I} &= f_I t^{N_{a,I}} v^{\#_{a,I}} q^{\#'_{a,I}} v^{5-a} q^{(3-a)/2}, & a = 3, 4
\end{aligned} \tag{5.16}$$

In our notation, $a = 1, 2$ designate the long roots, while $a = 3, 4$ designate the short roots.

The Coulomb branch of the 5d theory has complex dimension:

$$\sum_{a=1}^4 d_a = 46 = \sum_{\langle e_\gamma, \omega_i \rangle < 0} |\langle e_\gamma, \omega_i \rangle|,$$

with d_a the ranks of the 4 gauge groups. In the right-hand sum, one counts all positive roots that have a negative inner product with at least one of the coweights. This is also the number of supersymmetric vacua (or equivalently, integration contours) of the 3d theory, and the number of parameters needed to specify the 3-point of the q -deformed $\mathcal{W}_{q,t}(F_4)$ algebra.

In the CFT limit, when $m_s \rightarrow \infty$, the counting is done without multiplicity. The Coulomb branch dimension therefore decreases and becomes equal to the number of positive roots of F_4 , which is 24. The Coulomb branch of the resulting theory T^{4d} is the maximal nilpotent orbit of F_4 , with Bala–Carter label F_4 . Because the defect is polarized, its Coulomb branch

must be in the image of the Spaltenstein map. In our case, the full puncture Coulomb branch is the image of the orbit denoted by \emptyset . This pre-image Bala–Carter label \emptyset is identified at once by acting on \mathcal{W}_S with the Weyl group and noticing the set never has any common zeros in the Dynkin labels of the different coweights.

5.1.6 B_n Full Puncture

For B_n , we take the set \mathcal{W}_S to be the following collection of $n + 1$ coweights:

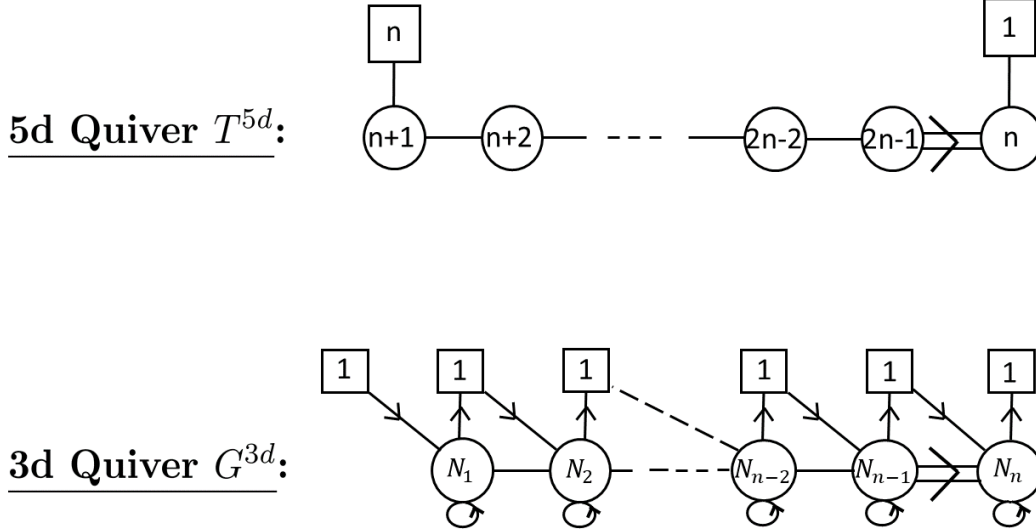


Figure 9: Sphere with 3 full B_n punctures: 5d theory T^{5d} and 3d theory G^{3d} resulting from \mathcal{W}_S .

$$\begin{aligned}
 \omega_1 &= -w_1^\vee + \alpha_1^\vee + \alpha_2^\vee + \dots + \alpha_{n-1}^\vee + \alpha_n^\vee \\
 \omega_i &= \omega_{i-1} + \alpha_{n-i+1}^\vee, \quad i = 2, \dots, n \\
 \omega_{n+1} &= -w_n^\vee
 \end{aligned}
 \tag{5.17}$$

The Dynkin labels of the coweights (5.17) expanded in terms of fundamental coweights encode the precise matter content of the 3d theory:

$$\begin{aligned}
\omega_1 &= [0, 0, 0, \dots, 0, -1, 1] \\
\omega_2 &= [0, 0, 0, \dots, -1, 1, 0] \\
&\vdots \\
\omega_{n-2} &= [0, -1, 1, \dots, 0, 0, 0] \\
\omega_{n-1} &= [0, -1, 1, \dots, 0, 0, 0] \\
\omega_n &= [-1, 1, 0, \dots, 0, 0, 0] \\
\omega_{n+1} &= [0, 0, 0, \dots, 0, 0, -1]
\end{aligned} \tag{5.18}$$

We obtain the quiver gauge theory G^{3d} shown in figure 9.

The q -deformed vertex operator that realizes the full puncture is the product : $\prod_{i=1}^{n+1} V_{\omega_i}(x_i)$:, where

$$\begin{aligned}
V_{\omega_1}(x) &=: W_1^{-1}(x) E_1(xv^{-1}q^{-1/2}) E_2(xv^{-2}q^{-1}) \dots E_{n-1}(xv^{1-n}q^{(-n+1)/2}) E_n(xv^{-n}q^{(-n+1)/2}) : \\
V_{\omega_i}(x) &=: V_{\omega_{i-1}}(x) E_{n-i+1}(xv^{-n-i+1}q^{(-n-i+3)/2}) : \quad i = 2, \dots, n \\
V_{\omega_{n+1}}(x) &=: W_n^{-1}(x) :
\end{aligned} \tag{5.19}$$

The above expression is a refinement of the relation (5.17). The dependence on the v and q factors encodes the value of the Coulomb moduli at the triality point. Namely, let $v^{\#_{a,I}} q^{\#'_{a,I}}$ be the various v and q factors appearing in the E_a operators of (5.19). Then, the Coulomb moduli of the 5d gauge theory that truncate the partition function to the B_n q -deformed conformal block are given by:

$$\begin{aligned}
e_{a,I} &= f_I t^{N_{a,I}} v^{\#_{a,I}} q^{\#'_{a,I}} v^{2-a} q^{(2-a)/2}, \quad a = 1, \dots, n-1 \\
e_{n,I} &= f_I t^{N_{n,I}} v^{\#_{n,I}} q^{\#'_{n,I}} v^{2-n} q^{(3-n)/2}
\end{aligned} \tag{5.20}$$

In our notation, $a = 1, \dots, n-1$ designate the long roots, while $a = n$ designates the short root.

The Coulomb branch of the 5d theory has complex dimension:

$$\sum_{a=1}^n d_a = \frac{n(3n-1)}{2} = \sum_{\langle e_\gamma, \omega_i \rangle < 0} |\langle e_\gamma, \omega_i \rangle| ,$$

with d_a the ranks of the n gauge groups. In the right-hand sum, one counts all positive roots that have a negative inner product with at least one of the coweights. This is also the number of supersymmetric vacua (or equivalently, integration contours) of the 3d theory, and the number of parameters needed to specify the 3-point of the q -deformed $\mathcal{W}_{q,t}(B_n)$ algebra.

In the CFT limit, when $m_s \rightarrow \infty$, the counting is done without multiplicity. The Coulomb

branch dimension therefore decreases and becomes equal to the number of positive roots of B_n , which is n^2 . The Coulomb branch of the resulting theory T^{4d} is the maximal nilpotent orbit of B_n , with Bala-Carter label B_n . Because the defect is polarized, its Coulomb branch must be in the image of the Spaltenstein map. In our case, the full puncture Coulomb branch is the image of the orbit denoted by \emptyset . This pre-image Bala-Carter label \emptyset is identified at once by acting on \mathcal{W}_S with the Weyl group and noticing the set never has any common zeros in the Dynkin labels of the different coweights.

5.1.7 C_n Full Puncture

For C_n , we take the set \mathcal{W}_S to be the following collection of $n + 1$ coweights:

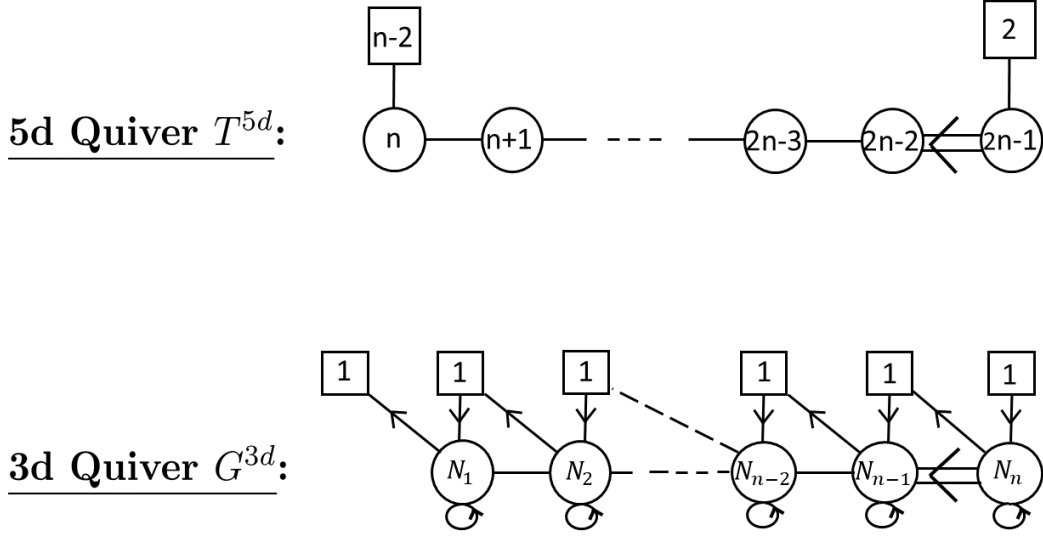


Figure 10: Sphere with 3 full C_n punctures: 5d theory T^{5d} and 3d theory G^{3d} resulting from \mathcal{W}_S .

$$\begin{aligned}
 \omega_1 &= -w_1^\vee + \alpha_1^\vee + \alpha_2^\vee + \dots + \alpha_{n-2}^\vee + 2\alpha_{n-1}^\vee + 2\alpha_n^\vee \\
 \omega_i &= \omega_{i-1} + \alpha_{n-i}^\vee, \quad i = 2, \dots, n-1 \\
 \omega_n &= -w_n^\vee + \alpha_n^\vee \\
 \omega_{n+1} &= -w_n^\vee
 \end{aligned} \tag{5.21}$$

The Dynkin labels of the coweights (5.21) expanded in terms of fundamental coweights encode the precise matter content of the 3d theory:

$$\begin{aligned}
\omega_1 &= [0, 0, \dots, 0, -1, 1, 0] \\
\omega_2 &= [0, 0, \dots, -1, 1, 0, 0] \\
&\vdots \\
\omega_{n-2} &= [-1, 1, \dots, 0, 0, 0, 0] \\
\omega_{n-1} &= [1, 0, \dots, 0, 0, 0, 0] \\
\omega_n &= [0, 0, \dots, 0, 0, -1, 1] \\
\omega_{n+1} &= [0, 0, \dots, 0, 0, 0, -1]
\end{aligned} \tag{5.22}$$

We obtain the quiver gauge theory G^{3d} shown in figure 10.

The q -deformed vertex operator that realizes the full puncture is the product : $\prod_{i=1}^{n+1} V_{\omega_i}(x_i)$:, where

$$\begin{aligned}
V_{\omega_1}(x) &=: W_1^{-1}(x)E_1(xv^{-1})E_2(xv^{-2})\dots E_{n-1}(xv^{-n})E_n(xv^{-n}) \\
&\quad E_n(xv^{1-n}q^{-1})E_{n-1}(xv^{-n-1}q^{-1}) : \\
V_{\omega_i}(x) &=: V_{\omega_{i-1}}(x)E_{n-i}(xv^{-n-i}q^{-1}) : \quad i = 2, \dots, n-1 \\
V_{\omega_n}(x) &=: W_n^{-1}(x)E_n(xv^2) : \\
V_{\omega_{n+1}}(x) &=: W_n^{-1}(x) :
\end{aligned} \tag{5.23}$$

The above expression is a refinement of the relation (5.21). The dependence on the v and q factors encodes the value of the Coulomb moduli at the triality point. Namely, let $v^{\#_{a,I}} q^{\#'_{a,I}}$ be the various v and q factors appearing in the E_a operators of (5.23). Then, the Coulomb moduli of the 5d gauge theory that truncate the partition function to the C_n q -deformed conformal block are given by:

$$e_{a,I} = f_I t^{N_{a,I}} v^{\#_{a,I}} q^{\#'_{a,I}} v^{2-a}, \quad a = 1, \dots, n$$

In our notation, $a = 1, \dots, n-1$ designate the short roots, while $a = n$ designates the long root.

The Coulomb branch of the 5d theory has complex dimension:

$$\sum_{a=1}^n d_a = \frac{n(3n-1)}{2} = \sum_{\langle e_\gamma, \omega_i \rangle < 0} |\langle e_\gamma, \omega_i \rangle| ,$$

with d_a the ranks of the n gauge groups. Note it is the same as for the B_n full puncture. In the right-hand sum, one counts all positive roots that have a negative inner product with at least one of the coweights. This is also the number of supersymmetric vacua (or equivalently, integration contours) of the 3d theory, and the number of parameters needed to specify the 3-point of the q -deformed $\mathcal{W}_{q,t}(C_n)$ algebra.

In the CFT limit, when $m_s \rightarrow \infty$, the counting is done without multiplicity. The Coulomb

branch dimension therefore decreases and becomes equal to the number of positive roots of C_n , which is n^2 . The Coulomb branch of the resulting theory T^{4d} is the maximal nilpotent orbit of C_n , with Bala-Carter label C_n . Because the defect is polarized, its Coulomb branch must be in the image of the Spaltenstein map. In our case, the full puncture Coulomb branch is the image of the orbit denoted by \emptyset . This pre-image Bala-Carter label \emptyset is identified at once by acting on \mathcal{W}_S with the Weyl group and noticing the set never has any common zeros in the Dynkin labels of the different coweights.

5.2 All Punctures of the G_2 Little String and CFT Limit

We present here the classification of defects of the $\mathfrak{g} = G_2$ little string theory, along with their conjectured CFT limit. The defects are generated by D5 branes wrapping non-compact 2-cycles of a resolved D_4 singularity; more precisely, we consider a nontrivial fibration of the resolved D_4 over $\mathbb{C}^2 \times \mathcal{C}$, and as one goes around the origin of one of the planes \mathbb{C} wrapped by the branes, the singularity goes back to itself, up to \mathbb{Z}_3 outer automorphism group action.

The resulting defects are labeled by coweights of G_2 , which are weights of ${}^L G_2 = G_2$. We find that there are exactly two “distinct” unpolarized defects, both generated by the zero weight $[0, 0]$, taken once in each of the two fundamental representations. The Coulomb branch of each featured quiver gauge theory T_{5d} flows to a nilpotent orbit of G_2 in the CFT limit; all nilpotent orbits of G_2 turn out to be physically realized in this way.

Furthermore, we illustrate G_2 triality, by considering the little string on a sphere with two full punctures and one of the punctures of figure 11.

5.2.1 The \emptyset Orbit

The first puncture we study was studied in the previous section, so we will be brief: it is realized with three D5 branes, labeled by the following set \mathcal{W}_S :

$$\begin{aligned}\omega_1 &= -w_1^\vee + 4\alpha_1^\vee + 6\alpha_2^\vee = [1, 0] \\ \omega_2 &= -w_2^\vee + \alpha_2^\vee = [-1, 1] \\ \omega_3 &= -w_2^\vee = [0, -1]\end{aligned}$$

All the elements of \mathcal{W}_S are in the Weyl group orbit of the fundamental representation they belong in, so the defect is polarized. Moreover, the set is distinguished, as can be checked by acting on all elements of \mathcal{W}_S simultaneously with the Weyl group of G_2 . The fundamental matter content of T^{5d} is:

$$\prod_{1 \leq I \leq d_1} N_{\emptyset \mu_I^1}(v^2 f_1 / e_{1,I}; q) \prod_{1 \leq I \leq d_2} N_{\emptyset \mu_I^2}(v_3^2 f_2 / e_{2,I}; q^3) \prod_{1 \leq I \leq d_2} N_{\emptyset \mu_I^3}(v_3^2 f_3 / e_{2,I}; q^3).$$

Coweights \mathcal{W}_S

5d Quiver T^{5d}

3d Quiver G^{3d}

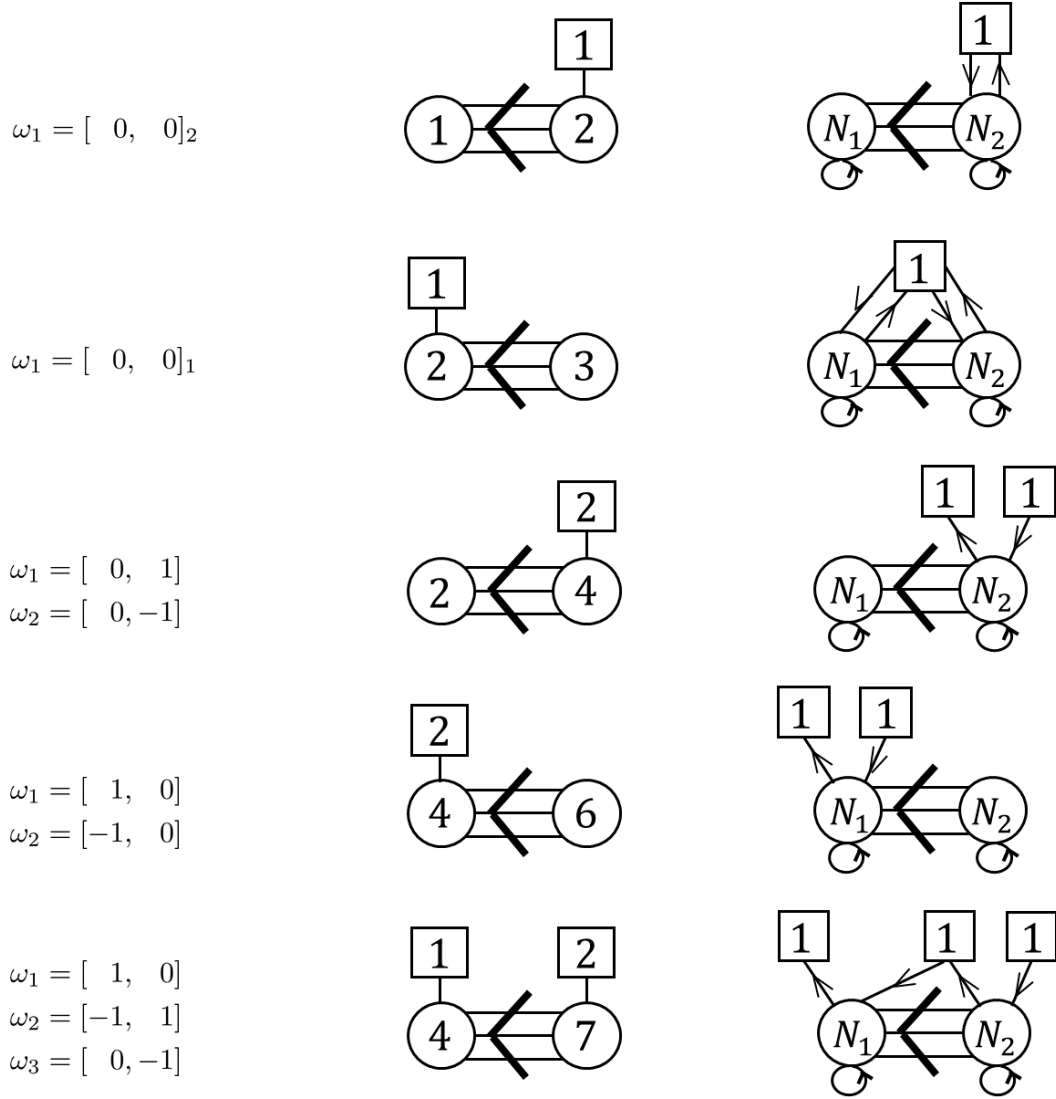


Figure 11: Defects of the G_2 Little String

The truncation of T^{5d} 's partition function to a 3d theory's partition function is achieved by setting:

$$\begin{aligned}
 e_{1,1} &= q^{-0}v^{-0}t^{N_{1,1}} f_1 & e_{2,1} &= q^{-0}v^{-2}t^{N_{2,1}} f_1 \\
 e_{1,2} &= q^{-1}v^{-2}t^{N_{1,2}} f_1 & e_{2,2} &= q^{-1}v^{-2}t^{N_{2,2}} f_1 \\
 e_{1,3} &= q^{-2}v^{-2}t^{N_{1,3}} f_1 & e_{2,3} &= q^{-2}v^{-2}t^{N_{2,3}} f_1 \\
 e_{1,4} &= q^{-3}v^{-4}t^{N_{1,4}} f_1 & e_{2,4} &= q^{-1}v^{-4}t^{N_{2,4}} f_1 \\
 & & e_{2,5} &= q^{-2}v^{-4}t^{N_{2,5}} f_1 \\
 & & e_{2,6} &= q^{-3}v^{-4}t^{N_{2,6}} f_1 \\
 -49 & e_{2,7} &= q^{-0}v^{-0}t^{N_{2,7}} f_2
 \end{aligned}$$

The resulting 3d partition function has fundamental matter content given exactly by (3.56). We now turn to the CFT limit: there are no common zeros in the distinguished set \mathcal{W}_S , so the Bala–Carter label associated to this polarized defect is \emptyset . The Coulomb branch dimension is then given by the Spaltenstein dual of this orbit, which is G_2 , of complex dimension 6. This is confirmed by the fact that all 6 positive roots have a negative inner product with at least one of the weights. The momentum of the associated vertex operator in G_2 -Toda theory is $\beta = \sum_{i=1}^3 \beta_i \omega_i$. Moreover, the weighted Dynkin diagram for the orbit G_2 is (2, 2); this is not the mass content of the quiver T^{5d} we wrote down (the mass content being (1, 2)), but can be obtained from ours by generalized Hanany–Witten transitions (see [35] for details on this procedure).

5.2.2 The A_1 Orbit

Consider two D5 branes labeled by the following set \mathcal{W}_S :

$$\begin{aligned}\omega_1 &= -w_2^\vee + 2\alpha_1^\vee + 4\alpha_2^\vee = [0, 1] \\ \omega_2 &= -w_2^\vee = [0, -1]\end{aligned}$$

All the elements of \mathcal{W}_S are in the Weyl group orbit of the fundamental representation they belong in, so the defect is polarized. Moreover, the set is distinguished, as can be checked easily. The fundamental matter content of T^{5d} is:

$$\prod_{1 \leq I \leq d_2} N_{\emptyset \mu_I^2}(v_3^2 f_1 / e_{2,I}; q^3) \prod_{1 \leq I \leq d_2} N_{\emptyset \mu_I^2}(v_3^2 f_2 / e_{2,I}; q^3).$$

The truncation of T^{5d} 's partition function to a 3d theory's partition function is achieved by setting:

$$\begin{aligned}e_{1,1} &= q^{-0} v^{-0} t^{N_{1,1}} f_1 & e_{2,1} &= q^{-0} v^{-0} t^{N_{2,1}} f_1 \\ e_{1,2} &= q^{-1} v^{-2} t^{N_{1,2}} f_1 & e_{2,2} &= q^{-0} v^{-2} t^{N_{2,2}} f_1 \\ & & e_{2,3} &= q^{-1} v^{-2} t^{N_{2,3}} f_1 \\ & & e_{2,4} &= q^{-1} v^{-4} t^{N_{2,4}} f_1\end{aligned}$$

The resulting 3d partition function has fundamental matter content given exactly by (3.56). We now turn to the CFT limit: there is a common zero in the first Dynkin label of the distinguished set \mathcal{W}_S , so the Bala–Carter label associated to this polarized defect is A_1 . The Coulomb branch dimension is then given by the Spaltenstein dual of this orbit, which is $G_2(a_1)$, of complex dimension 5. This is confirmed by the fact that all but the positive (simple) root α_1 have a negative inner product with ω_2 , and ω_1 does not have a negative inner product with α_1 either, so one of the six positive roots is not counted. The momentum of the associated vertex operator in G_2 -Toda theory is $\beta = \sum_{i=1}^2 \beta_i \omega_i$. Note that this defect

characterizes a level 1 null state of G_2 -Toda:

$$\langle \beta, \alpha_1 \rangle = 0$$

Finally, note that the weighted Dynkin diagram for the $G_2(a_1)$ nilpotent orbit is precisely the mass content $(0, 2)$ of the little string quiver T^{5d} we wrote.

5.2.3 The A_{1_s} Orbit

Consider two D5 branes labeled by the following set \mathcal{W}_S :

$$\begin{aligned}\omega_1 &= -w_1^\vee + 4\alpha_1^\vee + 6\alpha_2^\vee = [1, 0] \\ \omega_2 &= -w_1^\vee = [-1, 0]\end{aligned}$$

All the elements of \mathcal{W}_S are in the Weyl group orbit of the fundamental representation they belong in, so the defect is polarized. Moreover, the set is distinguished, as can be checked easily. The fundamental matter content of T^{5d} is:

$$\prod_{1 \leq I \leq d_1} N_{\emptyset \mu_I^\perp}(v^2 f_1/e_{1,I}; q) \prod_{1 \leq I \leq d_1} N_{\emptyset \mu_I^\perp}(v^2 f_2/e_{1,I}; q).$$

The truncation of T^{5d} 's partition function to a 3d theory's partition function is achieved by setting:

$$\begin{aligned}e_{1,1} &= q^{-0}v^{-0}t^{N_{1,1}} f_1 & e_{2,1} &= q^{-0}v^{-2}t^{N_{2,1}} f_1 \\ e_{1,2} &= q^{-1}v^{-2}t^{N_{1,2}} f_1 & e_{2,2} &= q^{-1}v^{-2}t^{N_{2,2}} f_1 \\ e_{1,3} &= q^{-2}v^{-2}t^{N_{1,3}} f_1 & e_{2,3} &= q^{-2}v^{-2}t^{N_{2,3}} f_1 \\ e_{1,4} &= q^{-3}v^{-4}t^{N_{1,4}} f_1 & e_{2,4} &= q^{-1}v^{-4}t^{N_{2,4}} f_1 \\ & & e_{2,5} &= q^{-2}v^{-4}t^{N_{2,5}} f_1 \\ & & e_{2,6} &= q^{-3}v^{-4}t^{N_{2,6}} f_1\end{aligned}$$

The resulting 3d partition function has fundamental matter content given exactly by (3.56). We now turn to the CFT limit: there is a common zero in the second Dynkin label of the distinguished set \mathcal{W}_S , so the Bala–Carter label associated to this polarized defect is $A_{1,s}$. It is a distinct label from A_1 in the previous example, since we must distinguish between the short and the long root. The Coulomb branch dimension is then given by the Spaltenstein dual of this orbit, which is $G_2(a_1)$, of complex dimension 5 (this is the same as in the A_1 case.) This is confirmed by the fact that all but the positive (simple) root α_2 have a negative inner product with ω_2 , and ω_1 does not have a negative inner product with α_2 either, so one of the six positive roots is not counted. The momentum of the associated vertex operator in G_2 -Toda theory is $\beta = \sum_{i=1}^2 \beta_i \omega_i$. Note that this defect characterizes a level 1 null state of G_2 -Toda:

$$\langle \beta, \alpha_2 \rangle = 0$$

5.2.4 The $G_2(a_1)$ Orbit

Consider one D5 brane labeled by the following set \mathcal{W}_S :

$$\omega_1 = -w_2^\vee + 1\alpha_1^\vee + 2\alpha_2^\vee = [0, 0]_2$$

The null coweight is in its own Weyl group orbit, so the defect is unpolarized. The fundamental matter content of T^{5d} is:

$$\prod_{1 \leq I \leq d_2} N_{\emptyset \mu_I^2}(v_3^2 f_1 / e_{2,I}; q^3).$$

The truncation of T^{5d} 's partition function to a 3d theory's partition function is achieved by setting:

$$\begin{aligned} e_{1,1} &= q^{-0} v^{-0} t^{N_{1,1}} f_1 & e_{2,1} &= q^{-0} v^{-0} t^{N_{2,1}} f_1 \\ e_{2,2} & & e_{2,2} &= q^{-0} v^{-2} t^{N_{2,2}} f_1 \end{aligned}$$

A 3d matter contribution survives this truncation, even with \mathcal{W}_S containing only the zero coweight. This is because the defect is unpolarized, so refinement due to q and v factors crucially enter the computation. The resulting potential is precisely a refinement of the coweight $[0, 0]_2$, understood here as $[0, 0]_2 = [0, 1] + [0, -1]$, and a potential survives, as pictured in 11; see Section 5.4 below.

We now turn to the CFT limit: the coweight $[0, 0]_2$ has only zeros as Dynkin labels, so part of the Bala–Carter label is G_2 . The extra label “2” on the coweight, denoting the fundamental representation of ${}^L G_2$ the coweight is taken in, is in one-to-one correspondence with an extra simple root label in the Bala–Carter classification. All in all, the label is $G_2(a_1)$. Because this is an unpolarized defect, there is no reason to expect that the Coulomb branch dimension of T^{4d} should be given by the Spaltenstein dual of this orbit, (namely, $G_2(a_1)$ itself), and this is indeed not the case. The Coulomb branch of T^{4d} is in fact the orbit A_1 , of complex dimension 3. This can be argued from the T^{5d} quiver, which already has complex Coulomb dimension 3. Since the dimension of the Coulomb branch can only decrease in the $m_s \rightarrow \infty$ limit, this is the right orbit. Note A_1 is *not* in the image of the Spaltenstein map. Finally, the weighted Dynkin diagram for this orbit is $(0, 1)$, which is the mass content of the quiver T^{5d} we wrote down. For more details on dimension counting for unpolarized defects, see [34].

5.2.5 Bala–Carter Labels and Unpolarized Classification

From the above discussion, it may seem like one of the nilpotent orbits of G_2 is not realized as the Coulomb branch of some defect theory T^{4d} ; namely, the orbit A_{1_s} has complex

dimension 4, is not in the image of the Spaltenstein map, and did not appear so far. However, we conjecture that this orbit is realized as follows:

Consider one D5 brane labeled by the set \mathcal{W}_S :

$$\omega_1 = -w_1^\vee + 2\alpha_1^\vee + 3\alpha_2^\vee = [0, 0]_1$$

This is a different way to produce the null coweight, taken this time in the representation labeled by the first fundamental coweight $[1, 0]$. In our terminology, this defect must be unpolarized. The fundamental matter content of T^{5d} is:

$$\prod_{1 \leq I \leq d_1} N_{\emptyset \mu_I^1}(v^2 f_1 / e_{1,I}; q).$$

The truncation of T^{5d} 's partition function to a q -deformed conformal block with the appropriate vertex operator is achieved by setting:

$$\begin{aligned} e_{1,1} &= q^{-0} v^{-0} t^{N_{1,1}} f_1 & e_{2,1} &= q^{-0} v^{-2} t^{N_{2,1}} f_1 \\ e_{1,2} &= q^{-1} v^{-2} t^{N_{1,2}} f_1 & e_{2,2} &= q^{-1} v^{-2} t^{N_{2,2}} f_1 \\ & & e_{2,3} &= q^{-1} v^{-4} t^{N_{2,3}} f_1 \end{aligned}$$

A potential survives this truncation, even with \mathcal{W}_S containing only the zero coweight. This is because the defect is unpolarized, so refinement due to q and v factors crucially enter the computation. The resulting potential is precisely a refinement of the coweight $[0, 0]_1$, and a potential survives, as pictured in 11; see also Section 5.4 below.

We now turn to the CFT limit: we claim that this defect is distinct from the previous unpolarized one, which was engineered by $[0, 0]_2$. We predict that the Coulomb branch of T^{4d} is in fact the orbit $A_{1,s}$, of complex dimension 4. This is consistent with dimension counting [34], and the weighted Dynkin diagram for this orbit is $(1, 0)$, which is precisely the mass content of the quiver theory T^{5d} . Note this orbit is *not* in the image of the Spaltenstein map.

5.3 Non-Simply Laced Triality from Folding

Recall that if \mathfrak{g}' is a simply-laced Lie algebra, and \mathfrak{g} a subalgebra of \mathfrak{g}' invariant under the action of the outer automorphism group of \mathfrak{g}' , then these automorphisms of \mathfrak{g}' are in one-to-one correspondence with the automorphisms of the Dynkin diagram of \mathfrak{g}' . The resulting non simply-laced subalgebra \mathfrak{g} is then obtained by “folding” the Dynkin diagram of \mathfrak{g}' .

It turns out that this folding procedure carries through algebraically, so one can engineer 5d non simply-laced quiver gauge theories from their simply-laced counterparts. The truncation of partitions in the 5d theory is preserved by this folding, so triality to a 3d non simply-laced gauge theory can be explicitly described as a folding operation. In this section, we illustrate

this fact with a highly non-trivial example: we show that the \mathbb{Z}_2 folding of a E_6 theory leads to a F_4 defect.

Our starting theory will be the following polarized defect \mathcal{W}_S of E_6 , engineered by two D5 branes:

$$\begin{aligned}\omega_1 &= -w_6^\vee + 2\alpha_1^\vee + 4\alpha_2^\vee + 6\alpha_3^\vee + 4\alpha_4^\vee + 2\alpha_5^\vee + 4\alpha_6^\vee \\ \omega_2 &= -w_6^\vee\end{aligned}$$

Equivalently, decomposed in terms of fundamental coweights, these read:

$$\begin{aligned}\omega_1 &= [0, 0, 0, 0, 0, 1] \\ \omega_2 &= [0, 0, 0, 0, 0, -1]\end{aligned}$$

The resulting 5d quiver $T_{E_6}^{5d}$ is shown in figure 12. After \mathbb{Z}_2 folding, the nodes 3 and 6 now designate long roots (being invariant under the outer automorphism action) and we obtain an F_4 defect theory $T_{F_4}^{5d}$, with coweights:

$$\begin{aligned}\omega'_1 &= -w_1^\vee + 4\alpha_1^\vee + 6\alpha_2^\vee + 4\alpha_3^\vee + 2\alpha_4^\vee \\ \omega'_2 &= -w_1^\vee\end{aligned}$$

Equivalently, decomposed in terms of fundamental coweights, these read:

$$\begin{aligned}\omega_1 &= [1, 0, 0, 0] \\ \omega_2 &= [-1, 0, 0, 0]\end{aligned}$$

The fundamental matter content of $T_{E_6}^{5d}$ is

$$\prod_{1 \leq I \leq d_6} N_{\emptyset \mu_I^6}(v^2 f_1 / e_{6,I}; q).$$

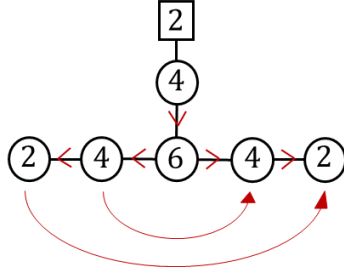
We now show that the truncation scheme of the $T_{E_6}^{5d}$ theory at the triality point are preserved

Coweights \mathcal{W}_S

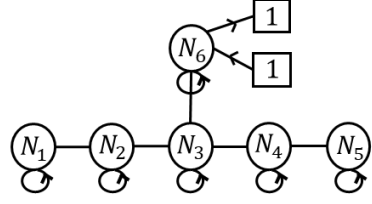
$$\omega_1 = [0, 0, 0, 0, 0, 1]$$

$$\omega_2 = [0, 0, 0, 0, 0, -1]$$

5d Quiver T^{5d}



3d Quiver G^{3d}



$$\omega_1 = [1, 0, 0, 0]$$

$$\omega_2 = [-1, 0, 0, 0]$$

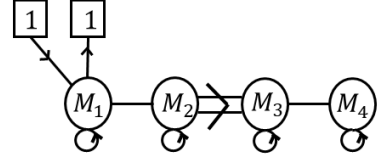
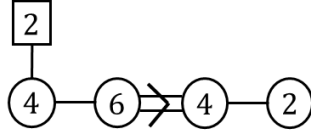


Figure 12: Folding of a E_6 little string defect and the resulting F_4 defect. The 3d theory at the triality locus is shown on the right.

by the folding operation. Namely, we set the Coulomb parameters of $T_{E_6}^{5d}$ to:

$$\begin{aligned} e_{1,1} &= v^{-6} t^{N_{1,1}} f_1 & e_{2,1} &= v^{-4} t^{N_{2,1}} f_1 & e_{3,1} &= v^{-2} t^{N_{3,1}} f_1 \\ e_{1,2} &= v^{-10} t^{N_{1,2}} f_1 & e_{2,2} &= v^{-6} t^{N_{2,2}} f_1 & e_{3,2} &= v^{-4} t^{N_{3,2}} f_1 \\ & & e_{2,3} &= v^{-8} t^{N_{2,3}} f_1 & e_{3,3} &= v^{-6} t^{N_{3,3}} f_1 \\ & & e_{2,4} &= v^{-10} t^{N_{2,4}} f_1 & e_{3,4} &= v^{-6} t^{N_{3,4}} f_1 \\ & & & & e_{3,5} &= v^{-8} t^{N_{3,5}} f_1 \\ & & & & e_{3,6} &= v^{-10} t^{N_{3,6}} f_1 \\ \\ e_{4,1} &= v^{-4} t^{N_{4,1}} f_1 & e_{5,1} &= v^{-6} t^{N_{5,1}} f_1 & e_{6,1} &= v^{-0} t^{N_{6,1}} f_1 \\ e_{4,2} &= v^{-6} t^{N_{4,2}} f_1 & e_{5,2} &= v^{-10} t^{N_{5,2}} f_1 & e_{6,2} &= v^{-4} t^{N_{6,2}} f_1 \\ e_{4,3} &= v^{-8} t^{N_{4,3}} f_1 & & & e_{6,3} &= v^{-6} t^{N_{6,3}} f_1 \\ e_{4,4} &= v^{-10} t^{N_{4,4}} f_1 & & & e_{6,4} &= v^{-10} t^{N_{6,4}} f_1 \end{aligned}$$

The resulting 3d theory is shown in the right column of figure 12. Now, notice that the above v factors used in the truncation are identical on nodes 1 and 5, and identical and nodes 2 and 4. These become the v factors of $T_{F_4}^{5d}$ for the two short roots. The v factors on nodes 3 and 6 become the v factors of $T_{F_4}^{5d}$ for the two long roots.

There is one slight caveat: a bifundamental hypermultiplet truncating a partition on the long root 2 starting from the long root 1 is now accompanied by a q^{-1} factor in the argument

of the Nekrasov factors in the 5d partition function. With this adjustment, we obtain the following truncation scheme for $T_{F_4}^{5d}$:

$$\begin{aligned}
e_{1,1} &= q^{-0} v^{-0} t^{M_{1,1}} f_1 & e_{2,1} &= q^{-1} v^{-2} t^{M_{2,1}} f_1 \\
e_{1,2} &= q^{-1} v^{-4} t^{M_{1,2}} f_1 & e_{2,2} &= q^{-1} v^{-4} t^{M_{2,2}} f_1 \\
e_{1,3} &= q^{-1} v^{-6} t^{M_{1,3}} f_1 & e_{2,3} &= q^{-1} v^{-6} t^{M_{2,3}} f_1 \\
e_{1,4} &= q^{-2} v^{-10} t^{M_{1,4}} f_1 & e_{2,4} &= q^{-2} v^{-6} t^{M_{2,4}} f_1 \\
& & e_{2,5} &= q^{-2} v^{-8} t^{M_{2,5}} f_1 \\
& & e_{2,6} &= q^{-2} v^{-10} t^{M_{2,6}} f_1 \\
& & & \\
e_{3,1} &= q^{-1} v^{-4} t^{M_{3,1}} f_1 & e_{4,1} &= q^{-1} v^{-6} t^{M_{4,1}} f_1 \\
e_{3,2} &= q^{-1} v^{-6} t^{M_{3,2}} f_1 & e_{4,2} &= q^{-2} v^{-10} t^{M_{4,2}} f_1 \\
e_{3,3} &= q^{-2} v^{-8} t^{M_{3,3}} f_1 & & \\
e_{3,4} &= q^{-2} v^{-10} t^{M_{3,4}} f_1 & &
\end{aligned}$$

The resulting 3d theory G^{3d} is shown in the right column of figure 12.

5.4 Unpolarized Defects of G_2 and Quantization of a Null Coweight

Here, we illustrate the quantization of a null coweight of G_2 as obtained from the triality procedure. This refinement of the zero weight can be recovered from other methods, such as the G_2 qq -characters; see [3, 6] for details.

For concreteness, let \mathcal{W}_S be the set $\omega = [0, 0]_2$ we studied above, with T^{5d} the 5d quiver engineered at the top of figure 11. Because the only weight of \mathcal{W}_S is the null weight, one would naively think that there is no matter left after truncation of the partition function to the resulting 3d theory, meaning the presence of the D5 brane would not be felt by the compact D3 branes. This is however not the case: in the little string theory, a refinement due to q and v factors results in chiral and anti-chiral matter in G^{3d} , and one ends up with a quantization of the coweight $[0, 0]_2$. Namely, we perform the truncation of the 5d partition function by setting:

$$\begin{aligned}
e_{1,1} &= q^{-0} v^{-0} t^{N_{1,1}} f_1 & e_{2,1} &= q^{-0} v^{-0} t^{N_{2,1}} f_1 \\
& & e_{2,2} &= q^{-0} v^{-2} t^{N_{2,2}} f_1 .
\end{aligned}$$

We obtain the partition function of a 3d theory G^{3d} with some fundamental matter $z_{H_2}^{3d}(x_{\mu^2})/z_{H_2}^{3d}(x_{\emptyset})$, where

$$z_{H_2}^{3d}(x_2) = \prod_{1 \leq I \leq N_2} \frac{(v^2 q e^{x_I^{(2)}} / f_1; q^3)_{\infty}}{(q^2 e^{x_I^{(2)}} / f_1; q^3)_{\infty}} . \quad (5.24)$$

This defines the quantization of the weight $[0, 0]_2$ and is of the expected form, as suggested by the $[0, 1]$ qq -character of G_2 . Note that we recover the unrefined null coweight (and therefore a trivial potential) in the limit $qv^{-2} = 1$.

In this fashion, one can derive the quantization of any (co)weight, for any fundamental representation of a simple Lie algebra \mathfrak{g} .

Acknowledgments

We thank Taro Kimura and Vasily Pestun for the enlightening correspondence about their work. We thank Mina Aganagic, Amihay Hanany, Amer Iqbal, Peter Koroteev, Christian Schmid and Shing-Tung Yau for discussions and comments at various stages of this project. We would like to thank the Center for Mathematical Sciences and Applications (CMSA) at Harvard University where the project was initiated. The work of C.K. was supported by CMSA until his current affiliation started. The research of N. H. is supported in part by the Berkeley Center for Theoretical Physics, by the National Science Foundation (award PHY-1521446) and by the US Department of Energy under Contract DE-AC02-05CH11231.

References

- [1] L. F. Alday, D. Gaiotto and Y. Tachikawa, *Liouville Correlation Functions from Four-dimensional Gauge Theories*, *Lett. Math. Phys.* **91** (2010) 167–197, [[0906.3219](#)].
- [2] M. Aganagic and N. Haouzi, *ADE Little String Theory on a Riemann Surface (and Triality)*, [1506.04183](#).
- [3] E. Frenkel and N. Reshetikhin, *Deformations of \mathcal{W} -algebras associated to simple Lie algebras*, *Comm. Math. Phys.* **197** (1998) 1–32, [[q-alg/9708006](#)].
- [4] J. Shiraishi, H. Kubo, H. Awata and S. Odake, *A Quantum deformation of the Virasoro algebra and the Macdonald symmetric functions*, *Lett. Math. Phys.* **38** (1996) 33–51, [[q-alg/9507034](#)].
- [5] H. Awata, H. Kubo, Y. Morita, S. Odake and J. Shiraishi, *Vertex operators of the q Virasoro algebra: Defining relations, adjoint actions and four point functions*, *Lett. Math. Phys.* **41** (1997) 65–78, [[q-alg/9604023](#)].
- [6] T. Kimura and V. Pestun, *Fractional quiver W -algebras*, [1705.04410](#).
- [7] O. Chacaltana, J. Distler and Y. Tachikawa, *Nilpotent orbits and codimension-two defects of $6d \mathcal{N} = (2, 0)$ theories*, *Int. J. Mod. Phys. A* **28** (2013) 1340006, [[1203.2930](#)].
- [8] O. Chacaltana and J. Distler, *Tinkertoys for Gaiotto Duality*, *JHEP* **11** (2010) 099, [[1008.5203](#)].
- [9] O. Chacaltana and J. Distler, *Tinkertoys for the D_N series*, *JHEP* **02** (2013) 110, [[1106.5410](#)].
- [10] O. Chacaltana, J. Distler and A. Trimm, *Tinkertoys for the Twisted D -Series*, [1309.2299](#).
- [11] O. Chacaltana, J. Distler and A. Trimm, *Tinkertoys for the E_6 theory*, *JHEP* **09** (2015) 007, [[1403.4604](#)].
- [12] O. Chacaltana, J. Distler and A. Trimm, *Tinkertoys for the Twisted E_6 Theory*, *JHEP* **04** (2015) 173, [[1501.00357](#)].
- [13] O. Chacaltana, J. Distler and A. Trimm, *Tinkertoys for the Z_3 -twisted D_4 Theory*, [1601.02077](#).
- [14] O. Chacaltana, J. Distler and Y. Tachikawa, *Gaiotto duality for the twisted A_{2N-1} series*, *JHEP* **05** (2015) 075, [[1212.3952](#)].
- [15] N. Haouzi and C. Schmid, *Little String Defects and Bala-Carter Theory*, [1612.02008](#).
- [16] M. Aganagic, E. Frenkel and A. Okounkov, *Quantum q -Langlands Correspondence*, [1701.03146](#).
- [17] N. Seiberg, *New theories in six-dimensions and Matrix description of M theory on T^5 and T^5/\mathbb{Z}_2* , *Phys. Lett.* **B408** (1997) 98–104, [[hep-th/9705221](#)].
- [18] E. Witten, *Some comments on string dynamics*, in *Future perspectives in string theory. Proceedings, Conference, Strings'95, Los Angeles, USA, March 13-18, 1995*, 1995. [hep-th/9507121](#).
- [19] A. Losev, G. W. Moore and S. L. Shatashvili, *M & m 's*, *Nucl. Phys.* **B522** (1998) 105–124, [[hep-th/9707250](#)].

- [20] O. Aharony, *A Brief review of 'little string theories'*, *Class. Quant. Grav.* **17** (2000) 929–938, [[hep-th/9911147](#)].
- [21] J. Kim, S. Kim and K. Lee, *Little strings and T-duality*, *JHEP* **02** (2016) 170, [[1503.07277](#)].
- [22] L. Bhardwaj, M. Del Zotto, J. J. Heckman, D. R. Morrison, T. Rudelius and C. Vafa, *F-theory and the Classification of Little Strings*, *Phys. Rev.* **D93** (2016) 086002, [[1511.05565](#)].
- [23] M. Del Zotto, C. Vafa and D. Xie, *Geometric engineering, mirror symmetry and $6d_{(1,0)} \rightarrow 4d_{(\mathcal{N}=2)}$* , *JHEP* **11** (2015) 123, [[1504.08348](#)].
- [24] Y.-H. Lin, S.-H. Shao, Y. Wang and X. Yin, *Interpolating the Coulomb Phase of Little String Theory*, *JHEP* **12** (2015) 022, [[1502.01751](#)].
- [25] S. Hohenegger, A. Iqbal and S.-J. Rey, *Dual Little Strings from F-Theory and Flop Transitions*, *JHEP* **07** (2017) 112, [[1610.07916](#)].
- [26] S. Hohenegger, A. Iqbal and S.-J. Rey, *Instanton-monopole correspondence from M-branes on S^1 and little string theory*, *Phys. Rev.* **D93** (2016) 066016, [[1511.02787](#)].
- [27] S. Hohenegger, A. Iqbal and S.-J. Rey, *Self-Duality and Self-Similarity of Little String Orbifolds*, *Phys. Rev.* **D94** (2016) 046006, [[1605.02591](#)].
- [28] M. Aganagic and A. Okounkov, *Elliptic stable envelope*, [1604.00423](#).
- [29] B. Bastian, S. Hohenegger, A. Iqbal and S.-J. Rey, *Dual Little Strings and their Partition Functions*, [1710.02455](#).
- [30] B. Bastian, S. Hohenegger, A. Iqbal and S.-J. Rey, *Triality in Little String Theories*, [1711.07921](#).
- [31] M. Reid, *McKay correspondence*, [alg-geom/9702016](#).
- [32] M. R. Douglas and G. W. Moore, *D-branes, quivers, and ALE instantons*, [hep-th/9603167](#).
- [33] C. Vafa, *Geometric origin of Montonen-Olive duality*, *Adv. Theor. Math. Phys.* **1** (1998) 158–166, [[hep-th/9707131](#)].
- [34] N. Haouzi and C. Schmid, *Little String Defects and Bala-Carter Theory*, [1612.02008](#).
- [35] N. Haouzi and C. Schmid, *Little String Origin of Surface Defects*, *JHEP* **05** (2017) 082, [[1608.07279](#)].
- [36] M. Aganagic, N. Haouzi, C. Kozcaz and S. Shakirov, *Gauge/Liouville Triality*, [1309.1687](#).
- [37] M. Aganagic, N. Haouzi and S. Shakirov, *A_n -Triality*, [1403.3657](#).
- [38] G. W. Moore, N. Nekrasov and S. Shatashvili, *Integrating over Higgs branches*, *Commun. Math. Phys.* **209** (2000) 97–121, [[hep-th/9712241](#)].
- [39] N. A. Nekrasov, *Seiberg-Witten prepotential from instanton counting*, *Adv. Theor. Math. Phys.* **7** (2003) 831–864, [[hep-th/0206161](#)].
- [40] N. Nekrasov, V. Pestun and S. Shatashvili, *Quantum geometry and quiver gauge theories*, [1312.6689](#).
- [41] N. Nekrasov and V. Pestun, *Seiberg-Witten geometry of four dimensional $\mathcal{N} = 2$ quiver gauge theories*, [1211.2240](#).

- [42] A. Dey, A. Hanany, P. Koroteev and N. Mekareeya, *On Three-Dimensional Quiver Gauge Theories of Type B*, *JHEP* **09** (2017) 067, [[1612.00810](#)].
- [43] S. Shadchin, *On F-term contribution to effective action*, *JHEP* **08** (2007) 052, [[hep-th/0611278](#)].
- [44] C. Beem, T. Dimofte and S. Pasquetti, *Holomorphic Blocks in Three Dimensions*, *JHEP* **12** (2014) 177, [[1211.1986](#)].
- [45] N. Hama, K. Hosomichi and S. Lee, *SUSY Gauge Theories on Squashed Three-Spheres*, *JHEP* **05** (2011) 014, [[1102.4716](#)].
- [46] A. Kapustin and B. Willett, *Generalized Superconformal Index for Three Dimensional Field Theories*, [1106.2484](#).
- [47] P. Bouwknegt and K. Schoutens, *W symmetry in conformal field theory*, *Phys. Rept.* **223** (1993) 183–276, [[hep-th/9210010](#)].
- [48] V. S. Dotsenko and V. A. Fateev, *Conformal Algebra and Multipoint Correlation Functions in Two-Dimensional Statistical Models*, *Nucl. Phys.* **B240** (1984) 312.
- [49] R. Dijkgraaf and C. Vafa, *Toda Theories, Matrix Models, Topological Strings, and N=2 Gauge Systems*, [0909.2453](#).
- [50] H. Itoyama, K. Maruyoshi and T. Oota, *The Quiver Matrix Model and 2d-4d Conformal Connection*, *Prog. Theor. Phys.* **123** (2010) 957–987, [[0911.4244](#)].
- [51] A. Mironov, A. Morozov and S. Shakirov, *Conformal blocks as Dotsenko-Fateev Integral Discriminants*, *Int. J. Mod. Phys.* **A25** (2010) 3173–3207, [[1001.0563](#)].
- [52] A. Morozov and S. Shakirov, *The matrix model version of AGT conjecture and CIV-DV prepotential*, *JHEP* **08** (2010) 066, [[1004.2917](#)].
- [53] K. Maruyoshi, *β -Deformed Matrix Models and 2d/4d Correspondence*, [1412.7124](#).
- [54] V. A. Fateev and A. V. Litvinov, *Correlation functions in conformal Toda field theory. I.*, *JHEP* **11** (2007) 002, [[0709.3806](#)].
- [55] N. Nekrasov, *BPS/CFT correspondence: non-perturbative Dyson-Schwinger equations and qq-characters*, *JHEP* **03** (2016) 181, [[1512.05388](#)].
- [56] S. Gukov and E. Witten, *Rigid Surface Operators*, *Adv. Theor. Math. Phys.* **14** (2010) 87–178, [[0804.1561](#)].
- [57] D. H. Collingwood and W. M. McGovern, *Nilpotent orbits in semisimple Lie algebras*. Van Nostrand Reinhold Mathematics Series. Van Nostrand Reinhold Co., New York, 1993.
- [58] N. Spaltenstein, *Classes unipotentes et sous-groupes de Borel*, vol. 946 of *Lecture Notes in Mathematics*. Springer-Verlag, Berlin-New York, 1982.
- [59] P. Bala and R. W. Carter, *Classes of unipotent elements in simple algebraic groups. I*, *Math. Proc. Cambridge Philos. Soc.* **79** (1976) 401–425.
- [60] P. Bala and R. W. Carter, *Classes of unipotent elements in simple algebraic groups. II*, *Math. Proc. Cambridge Philos. Soc.* **80** (1976) 1–17.
- [61] S. Kanno, Y. Matsuo, S. Shiba and Y. Tachikawa, *$\mathcal{N} = 2$ gauge theories and degenerate fields of Toda theory*, *Phys. Rev.* **D81** (2010) 046004, [[0911.4787](#)].

[62] D. Gaiotto, *N=2 dualities*, *JHEP* **08** (2012) 034, [[0904.2715](#)].